

CargoTemp Roller // -40...150 °C



ETC

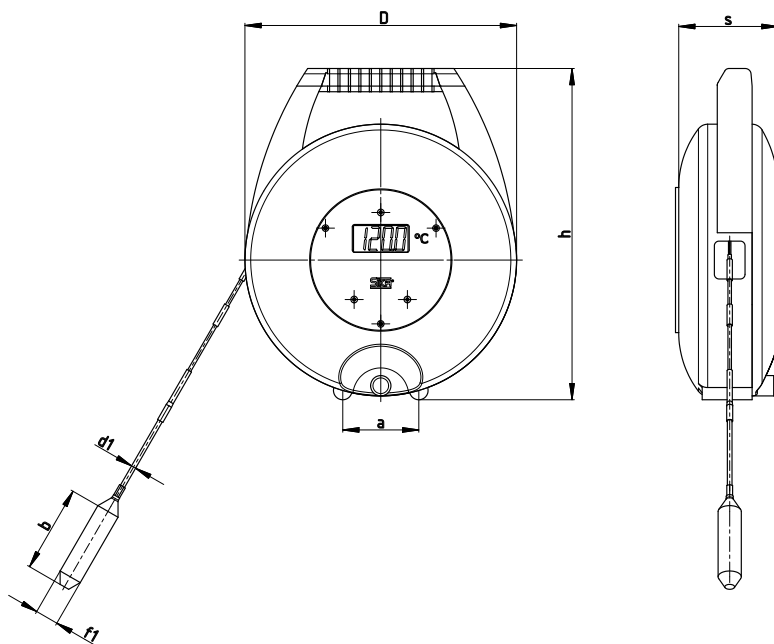
Your advantages

Series

- Good readability of the process parameters → High contrast LCD display
- Oil and temperature resistant FEP connection cable
- With 6 markings every 5 meters for depth indication, tension = 50 N
- Suitable for EMC critical applications

Technical data	
Version	Cable drum housing
Dimensions	234 mm / 285 mm x 85.5 mm (D / H x D)
Measuring range	-40...150 °C
Medium / Application	Liquid and solid media (bulk material)
Immersion tube length	75 mm
Immersion tube length	20 mm
Process connection	Without
Pressure rating	PN 25
Display	3 ½ digit, 7 segment LCD, 25 mm high
Resolution	0,1 K in the range -40...150 °C
Measuring rate	3 s
Medium temperature	See selected measuring range
Ambient temperature	5...60 °C
Storage temperature	5...60 °C
Degree of protection EN 60529	IP40

Electrical data	
Measuring element	Pt1000 / 2-wire / Class B
Accuracy	±0,5 % of range ±1 digit
Electrical connection	FEP cable, shielded, 2 x 0,14 mm ² , 35 m long „extendable“
Supply voltage	Lithium battery, 10 years service life (display unit)



Dimensions [mm]	f1	b	d1	a	D	h	s
ETC	20	75	4	65.5	234	285.3	85.5

Material	
Not in contact with medium	
Housing	PP plastic, aluminium, glass front window
In contact with medium	
Immersion tube	Stainless steel 1.4571

Order code	
Type	Order number
ETC	ETCTP000350004