



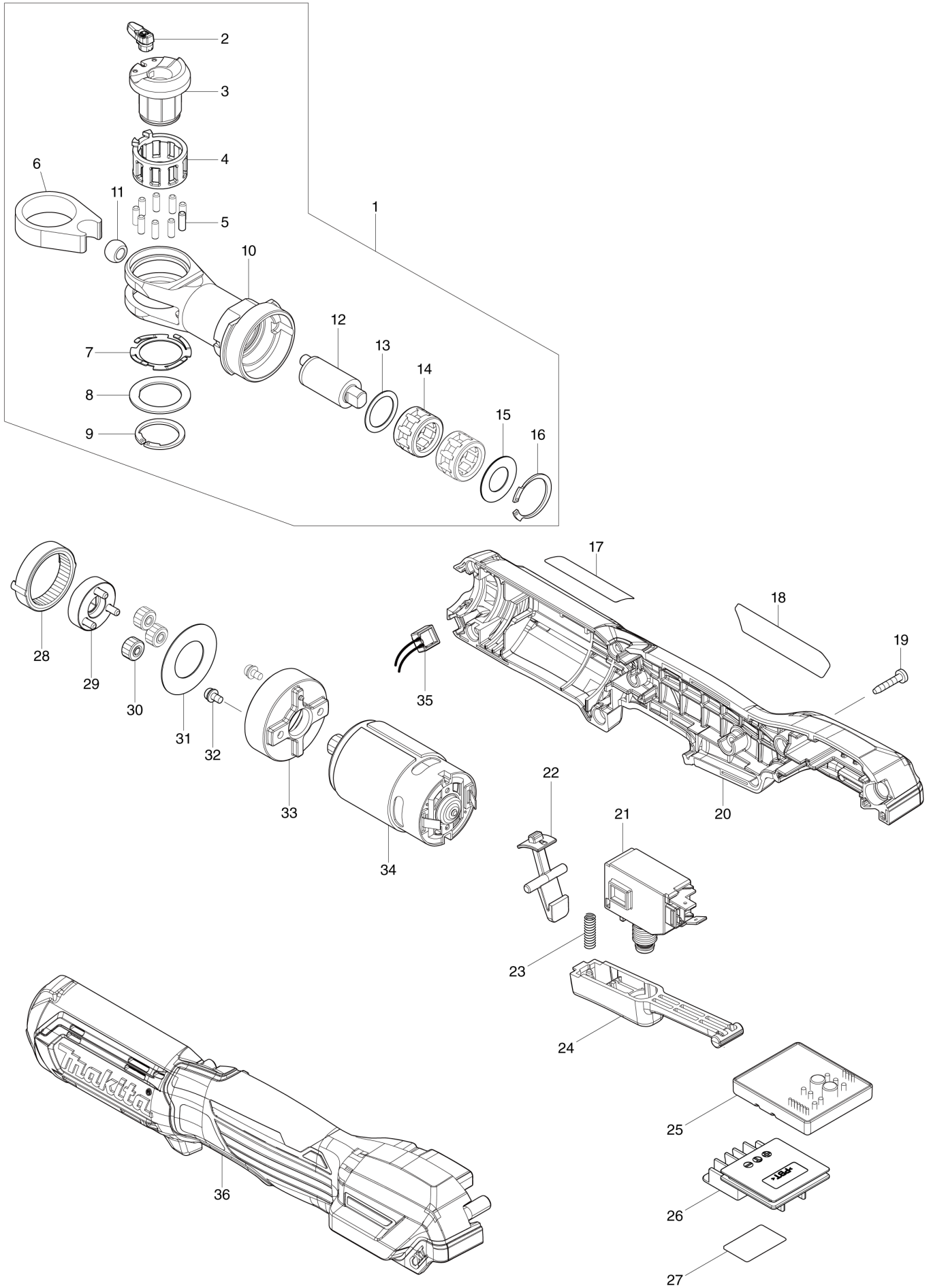
VN	VIETNAM
----	---------

Diagram / Parts List

WR100D

CORDLESS RATCHET WRENCH

(VN) WR100D / CORDLESS RATCHET WRENCH



VN	VIETNAM
-----------	----------------

WR100D / CORDLESS RATCHET WRENCH

Item	Sub	Parts No.	Parts Description	Qty	I/C	E/C No.	Close No.	Remark
001		127297-7	HEAD ASSEMBLY	1			Y08413	
	D10		INC. 2-16				Y08413	
001-1		127297-7	HEAD ASSEMBLY	1	O	Y08413		
002		140K70-4	LEVER COMPLETE	1			Y08413	
003		327360-8	ANVIL	1			Y08413	
004		310954-6	RETAINER RING	1			Y08413	
005		268301-4	PIN 3	9			D0847	
005-1		256963-0	PIN 3	9	O	D0847	Y08413	
006		327357-7	RATCHET RING	1			Y08413	
007		232531-3	LEAF SPRING	1			Y08413	
008		253440-3	FLAT WASHER 19	1			Y08413	
009		961078-7	RETAINING RING (EXT) S-18	1			Y08413	
010		327356-9	RATCHET HEAD	1			Y08413	
011		327359-3	BUSH	1			Y08413	
012		327358-5	SPINDLE	1			Y08413	
013		253147-1	FLAT WASHER 15	1			D0203	
013-1		253450-0	FLAT WASHER 15	1	O	D0203	Y08413	
014		212228-0	NEEDLE CAGE 1412	2			Y08413	
015		253084-9	FLAT WASHER 12	1			D0203	
015-1		253449-5	FLAT WASHER 12	1	O	D0203	Y08413	
016		962112-6	RETAINING RING R-22	1			Y08413	
018		855X38-2	WR100D NAME PLATE	1				
019		266429-2	TAPPING SCREW 3X16	7				
020		183L81-2	HOUSING SET	1				
	D10		INC. 36					
021		651391-8	SWITCH C3JW-6BM-PN	1				
022		459422-5	LOCK LEVER	1				
023		232353-1	COMPRESSION SPRING 4	1				
024		459421-7	SWITCH LEVER	1				
025		620A96-7	CONTROLLER	1				
	D10		INC. 35					
026		644813-5	TERMINAL	1				
027		855X44-7	WR100D SERIAL NO. LABEL	1				
028		226897-1	INTERNAL GEAR 41	1				
029		140K71-2	CARRIER COMPLETE	1				
030		226898-9	SPUR GEAR 14	3				
031		267235-8	FLAT WASHER 18	1				
032		265A38-0	P.H.SCREW M3X6 WITH WR	2				
033		310953-8	INTERNAL GEAR CASE	1				
034		629411-6	DC MOTOR	1				
035		620B10-9	LED CIRCUIT	1				
036		183L81-2	HOUSING SET	1				
	D10		INC. 20					
A01		191A50-3	SOCKET ADAPTOR 9.5 SET	1				
	C10	231952-6	RING SPRING 12	1				
A02		191A51-1	SOCKET ADAPTOR 6.35 SET	1				
	C10	231952-6	RING SPRING 12	1				
A03B		***DC10SB	DC10SB BATTERY CHARGER	1				
	D10		COMPO-PARTS					
A03C		***DC10SB	DC10SB BATTERY CHARGER	1				
	D10		COMPO-PARTS					
A03D		***DC10SB	DC10SB BATTERY CHARGER	1				
	D10		COMPO-PARTS					
A03E		***DC10SB	DC10SB BATTERY CHARGER	1				
	D10		COMPO-PARTS					
A04B		197396-9	BATTERY BL1021B SET	1				
A04C		197406-2	BATTERY BL1041B SET	1				
A04D		197396-9	BATTERY BL1021B SET	1				
A04E		197406-2	BATTERY BL1041B SET	1				
A07D		140L92-0	PLASTIC CASE COMPLETE	1				
	C10	417724-5	LATCH	2				
A07E		140L92-0	PLASTIC CASE COMPLETE	1				
	C10	417724-5	LATCH	2				
A09B		832071-7	TOOL BAG	1				
A09C		832071-7	TOOL BAG	1				

B:WR100DSA(H)
C:WR100DSM(H)
D:WR100DSAK(H)
E:WR100DSMK(H)

Interchange
O : Yes
X : No
< : the new part can be substituted for the current.
> : the current part can be substituted for the new.
S : Interchangeable as a set.

