



VN	VIETNAM
----	---------

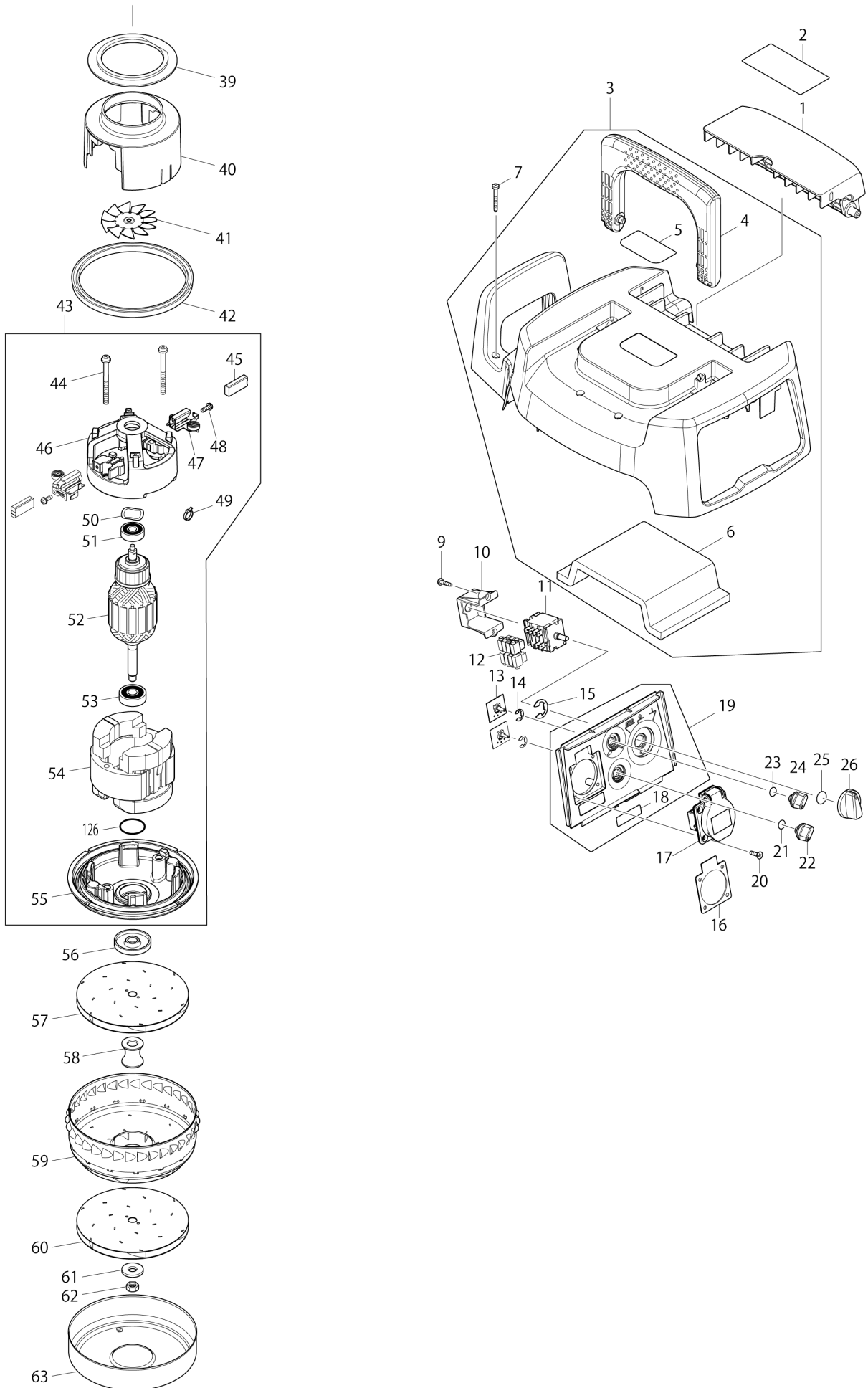
Diagram / Parts List

VC3211M

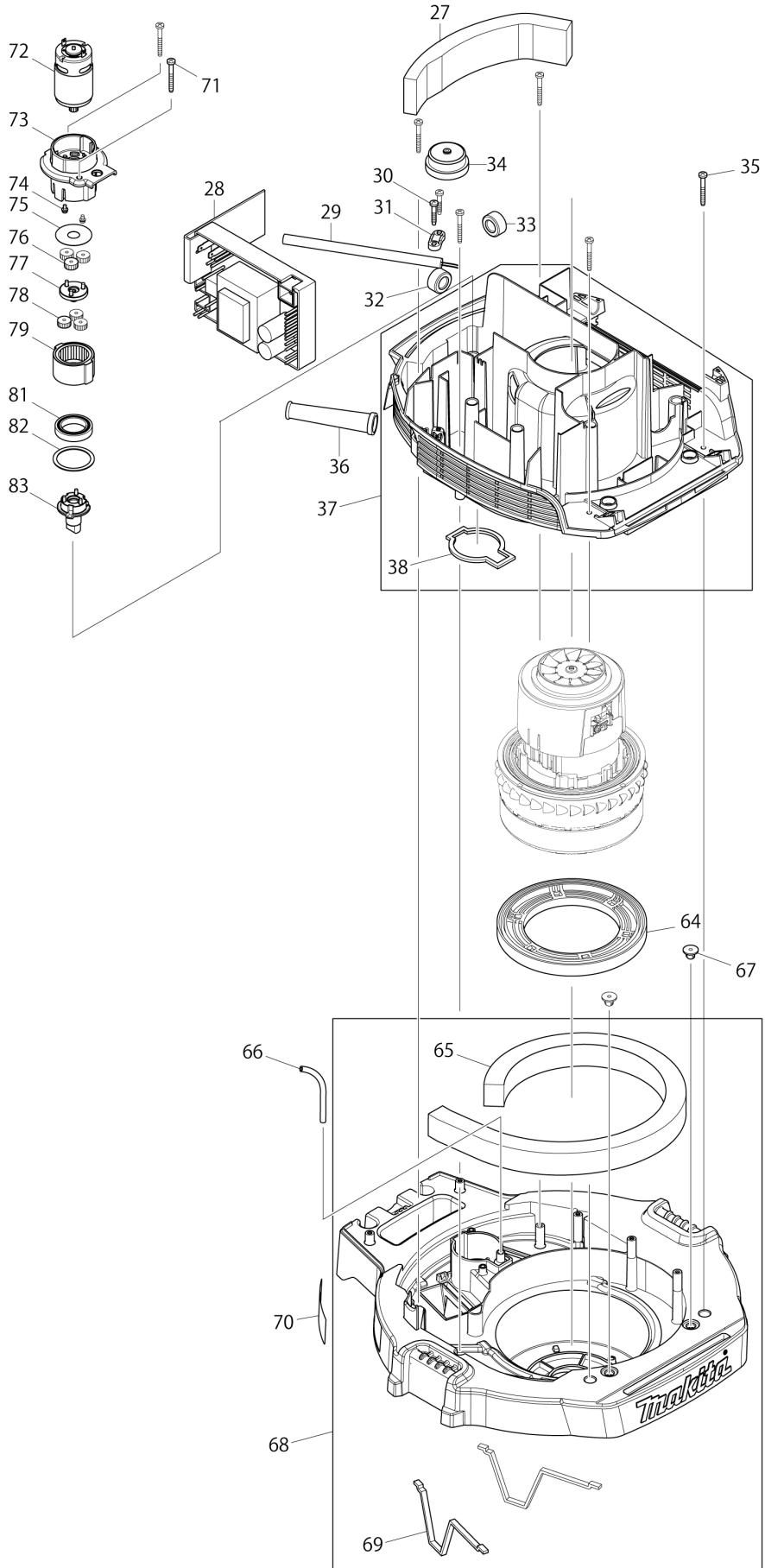
VACUUM CLEANER



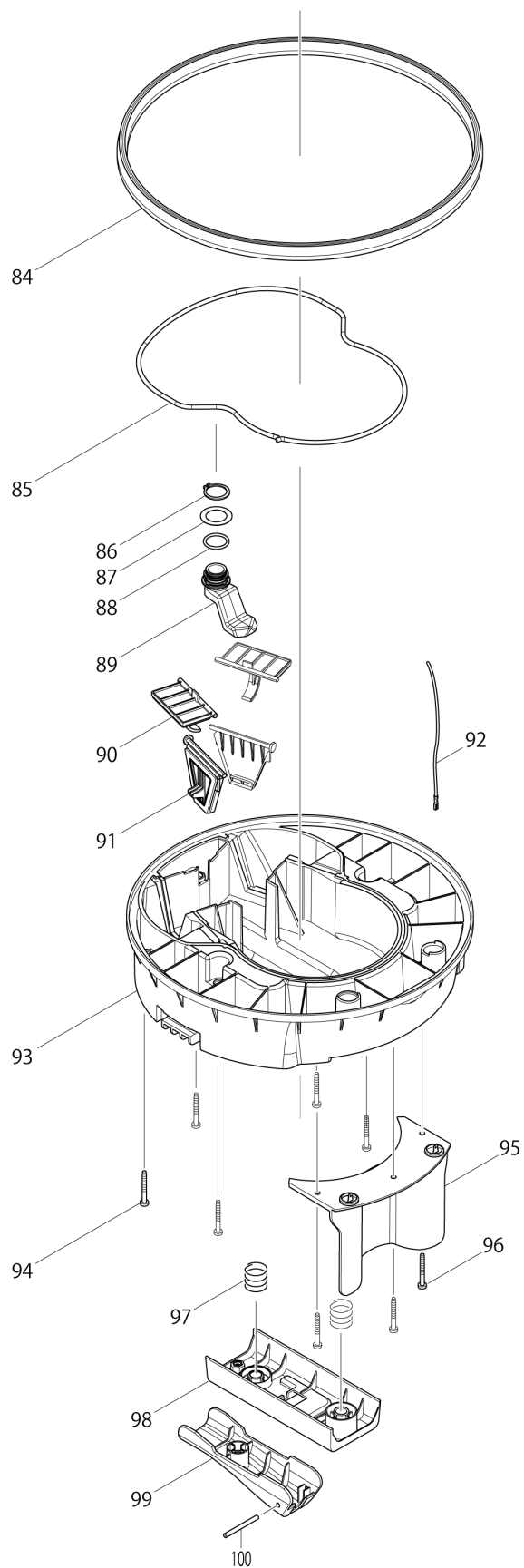
(VN) VC3211M / VACUUM CLEANER



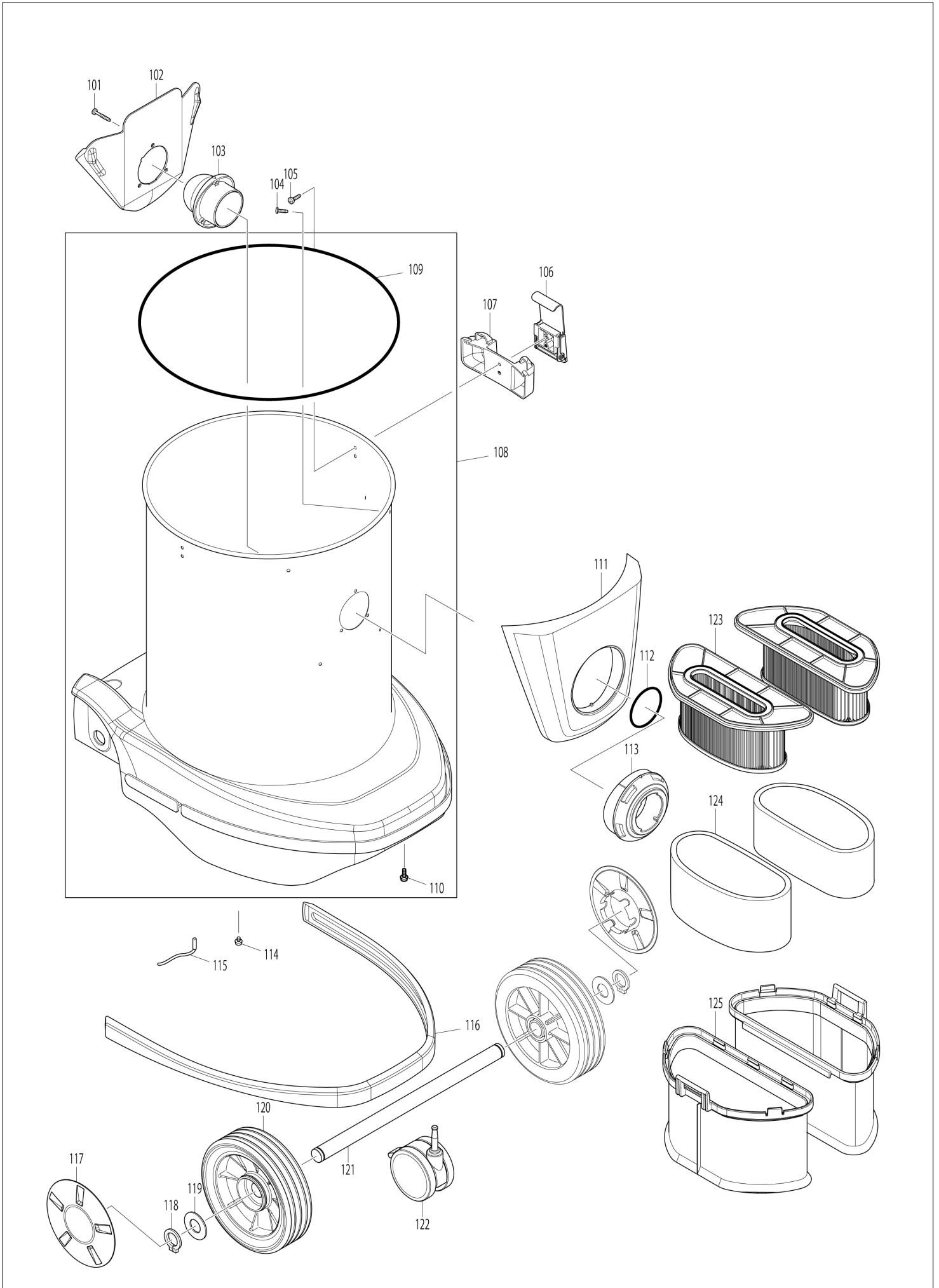
(VN) VC3211M / VACUUM CLEANER



(VN) VC3211M / VACUUM CLEANER



(VN) VC3211M / VACUUM CLEANER



VN	VIETNAM
-----------	----------------

VC3211M / VACUUM CLEANER

Item	Sub	Parts No.	Parts Description	Qty	I/C	E/C No.	Close No.	Remark
001		452451-7	BASE HOOK	1				
003		141915-3	COWLING COMPLETE	1				
	D10		INC. 4-6					
004		451340-3	GRIP	1				
005		891977-8	CAUTION LABEL	1				
006		423456-4	TOP DAMPER	1				
007		266053-1	TAPPING SCREW 4X35	9				
009		265995-6	TAPPING SCREW 4X18	2				
010		451343-7	SWITCH HOLDER	1				
011		650659-9	SWITCH	1				
012		686023-8	RECEPTACLE SLEEVE	8				
013		620185-2	SUB CONTROLLER	1				
014		961013-5	STOP RING E-7	2				
015		961062-2	STOP RING E-12	1				
016		685740-7	RUBBER SHEET	1				
017		655117-0	OUTLET	1			Y07786	
017-1		655123-5	OUTLET	1	<	Y07786		
018		809L23-5	CAUTION LABEL	1			C9255	
018-1		809L23-5	CAUTION LABEL	1	<	C9255		
019		140A31-4	SWITCH BASE E-M COMPLETE	1			C9255	
	D10		INC. 18				C9255	
019-1		140A31-4	SWITCH BASE E-M COMPLETE	1	<	C9255		
	D10		INC. 18			C9255		
020		266630-9	+COUNTERSUNK TAPPING SCREW4X	4				
021		213054-0	O RING 9	1				
022		451344-5	SWITCH DIAL	1				
023		213054-0	O RING 9	1				
024		451344-5	SWITCH DIAL	1				
025		213176-6	O RING 14	1				
026		451342-9	SWITCH LEVER	1				
027		423450-6	REAR BLOCK FILTER	1				
028-1		620467-2	CONTROLLER	1				
029		695350-2	POWER SUPPLY CORD 1.5-3-5.0	1				
030		265999-8	TAPPING SCREW 4X25	2				
031		687149-9	STRAIN RELIEF	1				
032		688131-1	LINE FILTER	1				
033		688131-1	LINE FILTER	1				
034		620186-0	BUZZER CIRCUIT	1				
035		266053-1	TAPPING SCREW 4X35	5				
036		682575-7	CORD GUARD 12-90	1				
037		141917-9	SEPARATOR COMPLETE	1				
	D10		INC. 38					
038		423462-9	DC MOTOR SEAL	1				
039		423279-0	SEAL RING 70	1				
040		451338-0	MOTOR COVER	1				
041		241512-6	FAN 62	1				
042		424228-0	RUBBER RING 120	1				
043		125875-7	MOTOR ASSEMBLY	1				
	D10		INC. 44-50,52,54,55,126					
044		911283-6	PAN HEAD SCREW M5X60	2				
045		195489-6	CARBON BRUSH CB-173	1			D0013	
045-1		195489-6	CARBON BRUSH CB-173	1	O	D0013		
046		452106-4	ENDBELL	1				
047		643610-6	BRUSH HOLDER 6.5X13.5	2				
048		911118-1	PAN HEAD SCREW M4X12	2				
049		687010-0	BAND	1				
050		267715-4	WAVE WASHER 20	1				
051		211092-6	BALL BEARING 629DDW	1				
052		517848-8	ARMATURE ASS'Y 220V	1				
	D10		INC. 51,53					
053		211087-9	BALL BEARING 6200DDW	1				
054		526203-3	FIELD ASS'Y 220V	1				
	C10	654304-8	RECEPTACLE	2				
055		454480-6	BASE	1				
056		316795-8	FLANGE	1				

Interchange
O : Yes
X : No
< : the new part can be substituted for the current.
> : the current part can be substituted for the new.
S : Interchangeable as a set.

VN	VIETNAM
-----------	----------------

VC3211M / VACUUM CLEANER

Item	Sub	Parts No.	Parts Description	Qty	I/C	E/C No.	Close No.	Remark
057		241910-4	FAN 125	1				
058		325747-8	SPACER	1				
059		346114-4	RETURN VANE	1				
060		241910-4	FAN 125	1				
061		316799-0	FLAT WASHER 10	1				
062		931403-6	HEX. NUT M8	1				
063		346115-2	FAN COVER	1				
064		424229-8	SUPPORT RING	1				
065		423451-4	BAND DAMPER	1				
066		684900-8	VYNIL TUBE	1				
067		421468-1	CORD SEAL	2				
068		141916-1	TANK COVER COMPLETE	1				
	D10		INC. 65,69					
069		423455-6	VALVE SEAL	2				
070		814D82-8	VC3211M NAME PLATE	1				
071		266053-1	TAPPING SCREW 4X35	2				
072		629981-5	DC MOTOR	1				
073		454207-4	GEAR CASE	1				
074		911003-8	PAN HEAD SCREW M3X6	2				
075		267067-3	FLAT WASHER 12	1				
076		226283-6	SPUR GEAR 15	3				
077		153228-0	SPUR GEAR 9 COMPLETE	1				
078		226284-4	SPUR GEAR 15	3				
079		226285-2	INTERNAL GEAR 42	1				
081		211375-4	BALL BEARING 6805LLB	1				
082		267464-3	FLAT WASHER 34	1				
083		135554-9	SPINDLE ASSEMBLY	1				
084		424543-2	RUBBER RING	1				
085		424544-0	SEAL RING	1				
086		961060-6	RETAINING RING S-20	1				
087		267041-1	FLAT WASHER 20	1				
088		213304-3	O RING 20	1				
089		454208-2	CAM	1				
090		141919-5	OUTER VALVE COMPLETE	2				
091		141918-7	INNER VALVE COMPLETE	2				
092		632A68-0	LEAD UNIT	2				
093		454204-0	INNER COVER	1				
094		266053-1	TAPPING SCREW 4X35	5				
095		454209-0	PROTECTOR	1				
096		266053-1	TAPPING SCREW 4X35	3				
097		234273-5	COMPRESSION SPRING 20	2				
098		454215-5	LOCK PLATE	1				
099		454214-7	LOCK LEVER	1				
100		268292-9	PIN 4	1				
101		266257-5	TAPPING SCREW 4X28	3				
102		417587-9	HOLDER PLATE	1				
103		451455-6	HOLDER	1				
104		266192-7	TAPPING SCREW 4X14	4				
105		266192-7	TAPPING SCREW 4X14	4				
106		168537-4	HOOK	2				
107		451545-5	HOOK SUPPORTER	2				
108		188824-5	TANK SET	1			C8769	
	D10		INC. 109,110				C8769	
108-1		188824-5	TANK SET	1	O	C8769	C9455	
	D10		INC. 109,110			C8769	C9455	
108-2		183M91-5	TANK SET	1	<	C9455		
	D10		INC. 109,110			C9455		
109		424346-4	RUBBER RING T	1				
110		911118-1	PAN HEAD SCREW M4X12	1				
111		451546-3	INLET COVER	1				
112		213655-4	O RING 56	1				
113		451454-8	INLET	1				
114		911103-4	PAN HEAD SCREW M4X6	1				
115		649150-2	EARTH LINE 120	1				
116		424270-1	BUMPER	1				

Interchange
O : Yes
X : No
< : the new part can be substituted for the current.
> : the current part can be substituted for the new.
S : Interchangeable as a set.

