



VN	VIETNAM
----	---------

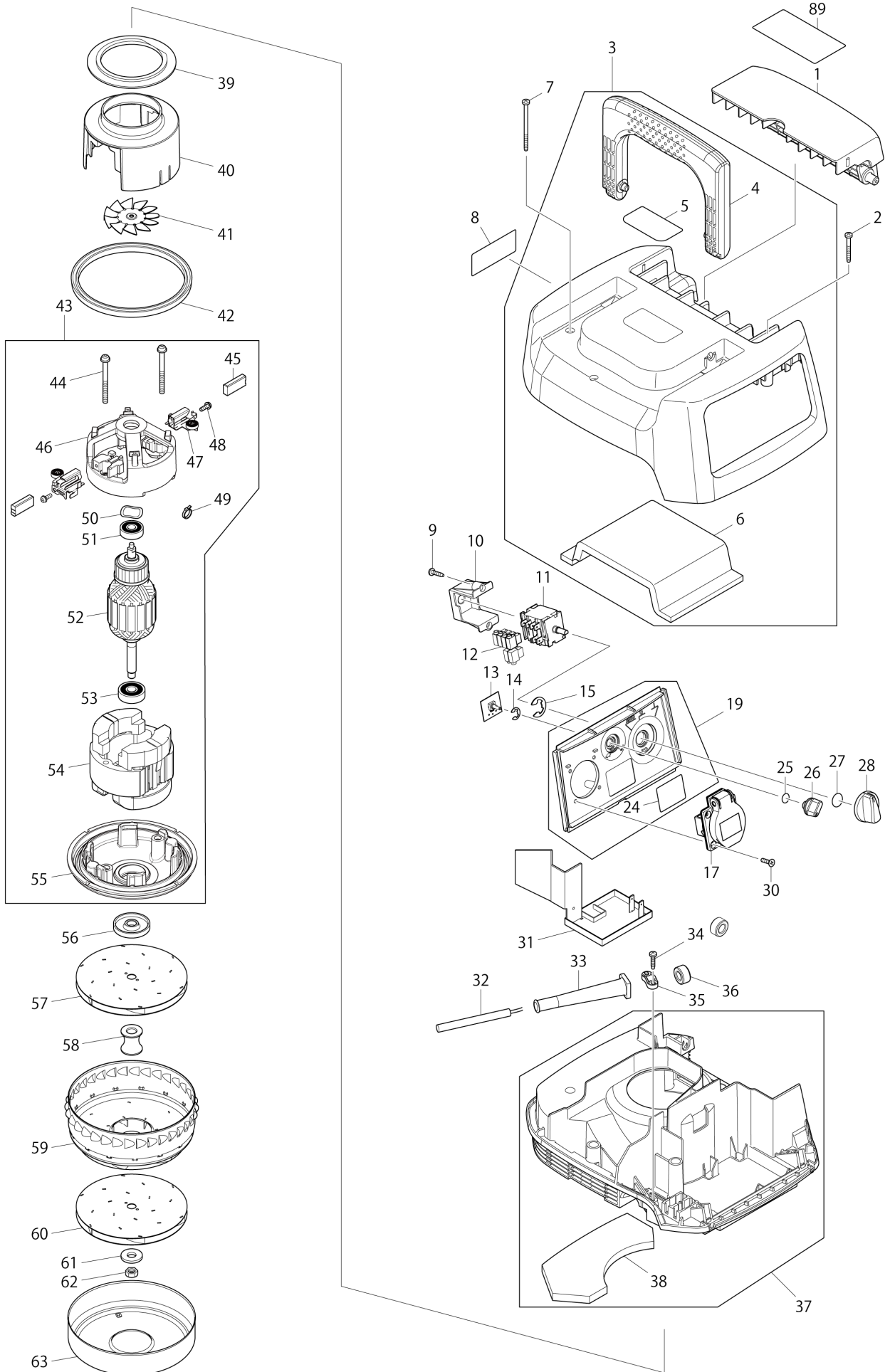
Diagram / Parts List

VC1310L

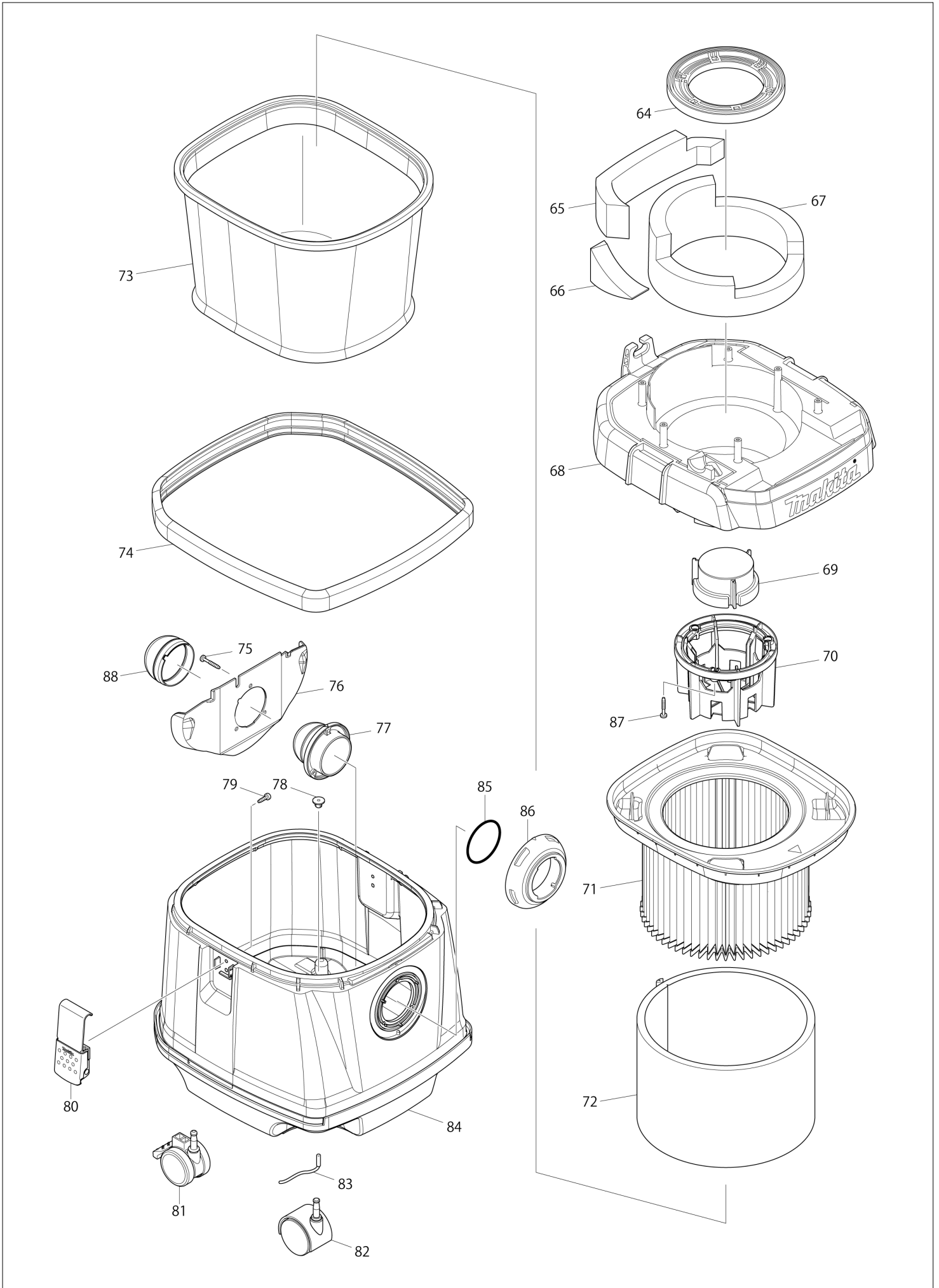
VACUUM CLEANER



(VN) VC1310L / VACUUM CLEANER



(VN) VC1310L / VACUUM CLEANER



VN	VIETNAM
-----------	----------------

VC1310L / VACUUM CLEANER

Item	Sub	Parts No.	Parts Description	Qty	I/C	E/C No.	Close No.	Remark
001		452451-7	BASE HOOK	1				
002		266053-1	TAPPING SCREW 4X35	3				
003		140751-4	COWLING COMPLETE	1				
	D10		INC. 4-6					
004		451340-3	GRIP	1				
005		891977-8	CAUTION LABEL	1				
006		423393-2	TOP DAMPER	1				
007		266060-4	TAPPING SCREW 4X65	3				
008		869042-1	VC1310L NAME PLATE	1				
009		265995-6	TAPPING SCREW 4X18	2				
010		451343-7	SWITCH HOLDER	1				
011		650623-0	SWITCH	1				
012		686023-8	RECEPTACLE SLEEVE	6				
013		631922-9	SUB CONTROLLER	1				
014		961013-5	STOP RING E-7	1				
015		961062-2	STOP RING E-12	1				
017		655117-0	OUTLET	1			Y05813	
017-1		655123-5	OUTLET	1	S	Y05813	D2287	
017-2		655123-5	OUTLET	1	O	D2287		
018		685740-7	RUBBER SHEET	1	S	Y05813		
019		140742-5	SWITCH BASE COMPLETE	1			90942	
	D10		INC. 24				90942	
019-1		141108-2	SWITCH BASE COMPLETE	1	X	90942	C9255	
	D10		INC. 24			90942	C9255	
019-2		141108-2	SWITCH BASE COMPLETE	1	<	C9255		
	D10		INC. 24			C9255		
024		891982-5	CAUTION LABEL	1			90942	
024-1		893528-3	CAUTION LABEL	1	X	90942	C9255	
024-2		893528-3	CAUTION LABEL	1	<	C9255		
025		213054-0	O RING 9	1				
026		451344-5	SWITCH DIAL	1				
027		213176-6	O RING 14	1				
028		451342-9	SWITCH LEVER	1				
030		266630-9	+COUNTERSUNK TAPPING SCREW4X1	4				
031		620033-5	CONTROLLER	1				
032		695350-2	POWER SUPPLY CORD 1.5-3-5.0	1				
033		682575-7	CORD GUARD 12-90	1				
034		265999-8	TAPPING SCREW 4X25	2				
035		687149-9	STRAIN RELIEF	1				
036		688131-1	LINE FILTER	2		B0324		
037		140254-8	SEPARATOR COMPLETE	1				
	D10		INC. 38					
038		423395-8	BOTTOM DAMPER	1				
039		423279-0	SEAL RING 70	1				
040		451338-0	MOTOR COVER	1				
041		241512-6	FAN 62	1				
042		424228-0	RUBBER RING 120	1				
043		125875-7	MOTOR ASSEMBLY	1				
	C10	213406-5	O RING 30	1	S	97870		
	D10		INC. 44-50,52,54,55					
044		911283-6	PAN HEAD SCREW M5X60	2				
045		195489-6	CARBON BRUSH CB-173	1			D0013	
045-1		195489-6	CARBON BRUSH CB-173	1	O	D0013		
046		452106-4	ENDBELL	1				
047		643610-6	BRUSH HOLDER 6.5X13.5	2				
048		911118-1	PAN HEAD SCREW M4X12	2				
049		687010-0	BAND	1				
050		267715-4	WAVE WASHER 20	1				
051		211092-6	BALL BEARING 629DDW	1				
052		517848-8	ARMATURE ASS'Y 220V	1				
	D10		INC. 51,53					
053		211087-9	BALL BEARING 6200DDW	1				
054		526203-3	FIELD ASS'Y 220V	1				
	C10	654304-8	RECEPTACLE	2				
055		452105-6	BASE	1			97870	

Interchange
O : Yes
X : No
< : the new part can be substituted for the current.
> : the current part can be substituted for the new.
S : Interchangeable as a set.

VN	VIETNAM
-----------	----------------

VC1310L / VACUUM CLEANER

Item	Sub	Parts No.	Parts Description	Qty	I/C	E/C No.	Close No.	Remark
055-1		454480-6	BASE	1	S	97870		
056		316795-8	FLANGE	1				
057		241910-4	FAN 125	1				
058		325747-8	SPACER	1				
059		346114-4	RETURN VANE	1				
060		241910-4	FAN 125	1				
061		316799-0	FLAT WASHER 10	1				
062		931403-6	HEX. NUT M8	1				
063		346115-2	FAN COVER	1				
064		424229-8	SUPPORT RING	1				
065		423396-6	REAR BLOCK FILTER	1				
066		423399-0	SIDE BLOCK FILTER	1				
067		423397-4	BAND DAMPER	1				
068		140251-4	TANK COVER COMPLETE	1				
069		141019-1	FLOAT COMPLETE	1				
	C10	423365-7	SPONGE SEAL 70	1				
070		452446-0	FLOAT CAGE	1				
071		195438-3	POWDER FILTER SET	1				
072		424377-3	DAMPER	1				
073		A-50485	PRE-FILTER COMPLETE	1			Y05934	
073-1		140253-0	PRE-FILTER COMPLETE	1	O	Y05934		
074		424230-3	BUMPER	1				
075		266257-5	TAPPING SCREW 4X28	3				
076		419351-4	HOLDER PLATE	1				
077		419350-6	HOLDER	1				
078		421468-1	CORD SEAL	1				
079		266192-7	TAPPING SCREW 4X14	4				
080		168537-4	HOOK	2				
081		168535-8	CASTER 50	2				
082		168434-4	CASTER 50	2				
083		649150-2	EARTH LINE 120	1				
084		452291-3	TANK	1				
085		213655-4	O RING 56	1				
086		451348-7	INLET	1				
087		265999-8	TAPPING SCREW 4X25	3				
088		424382-0	RUBBER HOLDER	1				
A01		195433-3	HOSE COMPLETE 28-3.5 SET	1			Y07148	
	D10		INC. A02,A03				Y07148	
A01-1		195433-3	HOSE COMPLETE 28-3.5 SET	1	O	Y07148		
	C20	417191-4	CUFF LOCK	1		Y07148		
	C30	417586-1	STOPPER	1		Y07148		
	C40	417662-1	SLEEVE	1		Y07148		
	C50	417766-9	FRONT CUFF 38	1		Y07148		
	D10		INC. A02,A03			Y07148		
A02		417765-1	FRONT CUFF 22	1				
A03		424379-9	FRONT CUFF 24	1				
A04		417764-3	HOLDER 10-33	4				
A05		195432-5	POLY BAG SET(650X650)	1				
A06		195439-1	CLEANING SET 38	1				
	D10		INC. A07-A10				Y07879	
	D11		INC. A07-A10,A14			Y07879		
A07		195434-1	HOSE COMPLETE 38-2.5 SET	1			Y07148	
A07-1		195434-1	HOSE COMPLETE 38-2.5 SET	1	O	Y07148		
	C20	417191-4	CUFF LOCK	1		Y07148		
	C30	417306-3	SLEEVE	2		Y07148		
	C40	417307-1	FRONT CUFF	1		Y07148		
	C50	417586-1	STOPPER	2		Y07148		
A08		192563-1	STRAIGHT PIPE SET 565-38	1				
A09		192562-3	BENDING PIPE	1				
A10		410306-2	CORNER NOZZLE	1				
A11		451350-0	STOPPER	1				
A12		451354-2	PIPE HOLDER	1				
A13		911138-5	P.H.SCREW M4X20 WITH WR	1				
A14		122512-4	NOZZLE ASS'Y 38	1		Y07879		
	C01	151449-8	ROLLER 40 COMPLETE	2		Y07879		

Interchange
O : Yes
X : No
< : the new part can be substituted for the current.
> : the current part can be substituted for the new.
S : Interchangeable as a set.

