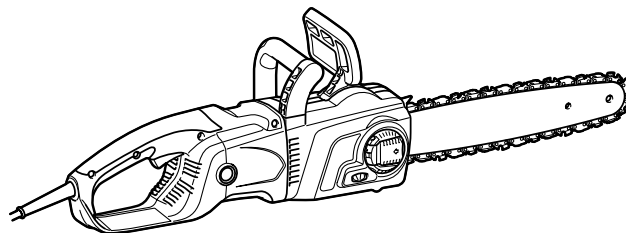
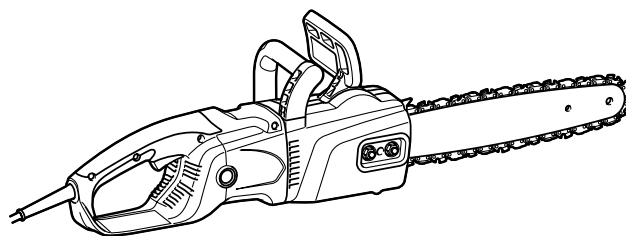
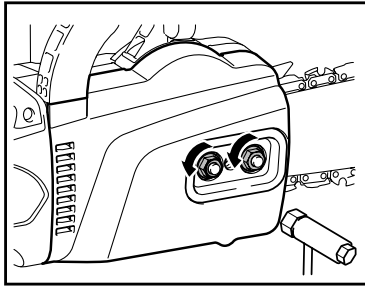




GB	Electric Chain Saw	INSTRUCTION MANUAL
SI	Električna verižna žaga	NAVODILO ZA UPORABO
AL	Sharra elektrike me zinxhir	MANUALI I PËRDORIMIT
BG	Електрически верижен трион	РЪКОВОДСТВО ЗА ЕКСПЛОАТАЦИЯ
HR	Električna motorna pila	PRIRUČNIK S UPUTAMA
MK	Електрична моторна пила	УПАТСТВО ЗА УПОТРЕБА
RO	Ferăstrău electric cu lanț	MANUAL DE INSTRUCȚIUNI
RS	Електрична ланчана тестера	УПУТСТВО ЗА УПОТРЕБУ
RUS	Электрическая Цепная Пила	РУКОВОДСТВО ПО ЭКСПЛУАТАЦИИ
UA	Електрична ланцюгова пила	ІНСТРУКЦІЯ З ЕКСПЛУАТАЦІЇ

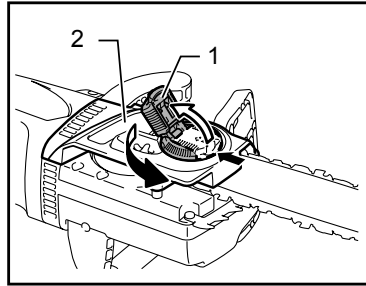
UC3050A
UC3550A
UC3550AP
UC4050A
UC4550A
UC3051A
UC3551A
UC4051A
UC4551A





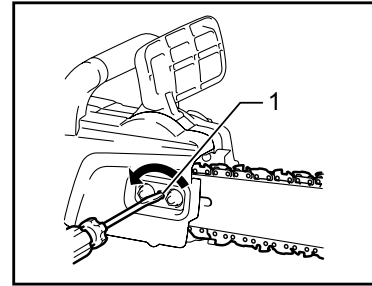
1

014453



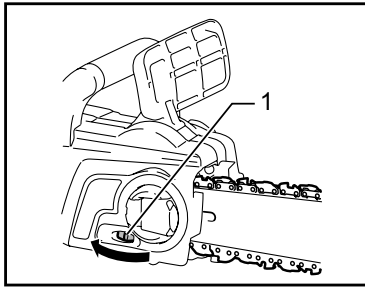
2

014393



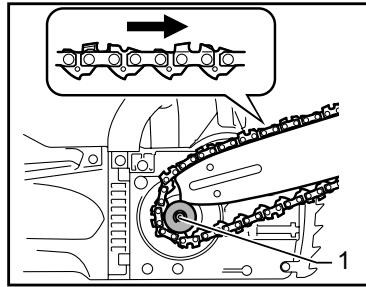
3

014515



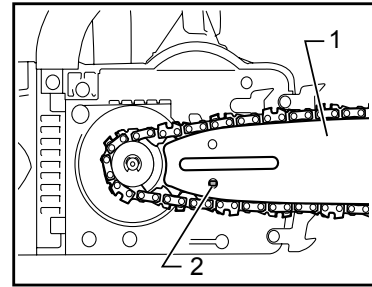
4

014516



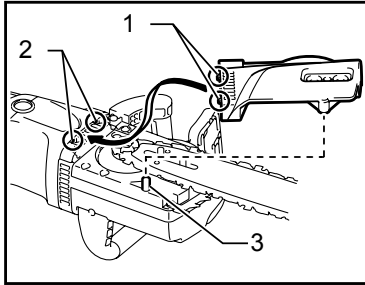
5

014457



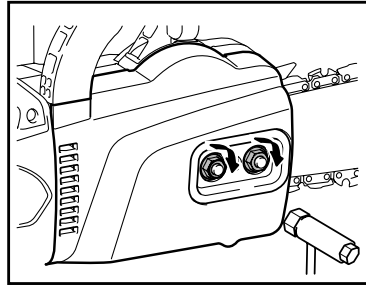
6

014448



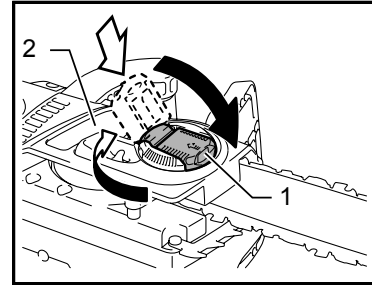
7

014380



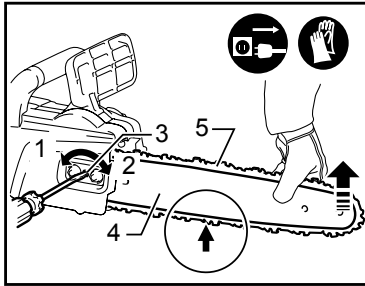
8

014454



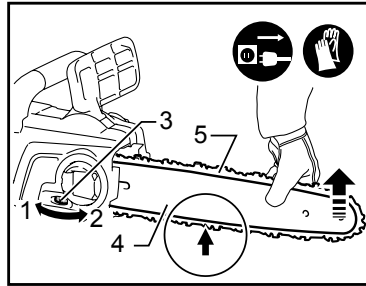
9

014394



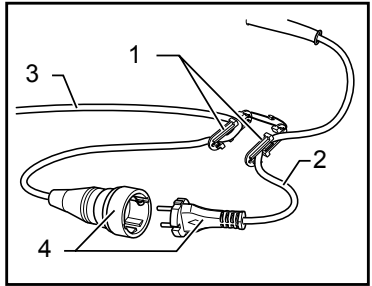
10

014680



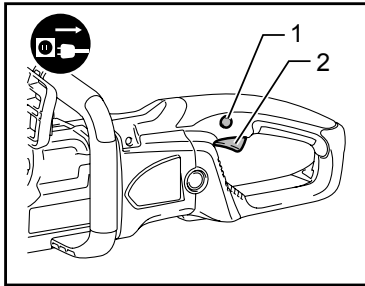
11

014682



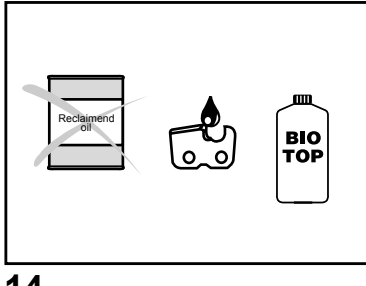
12

014359



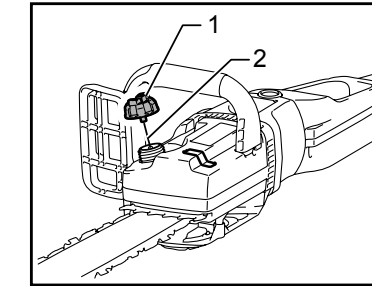
13

014376



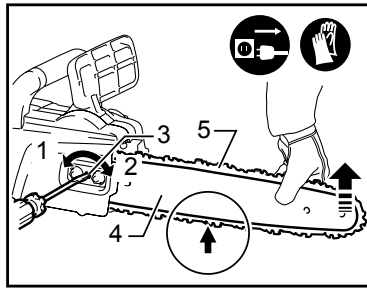
14

006921



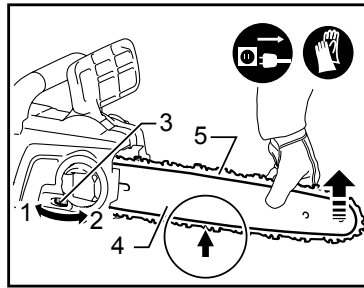
15

014386



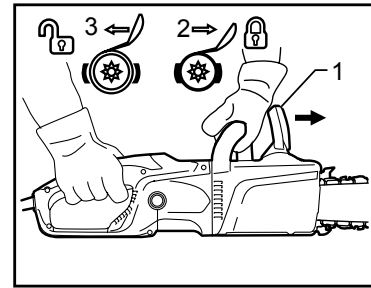
16

014680



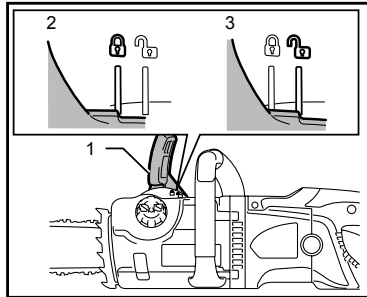
17

014682



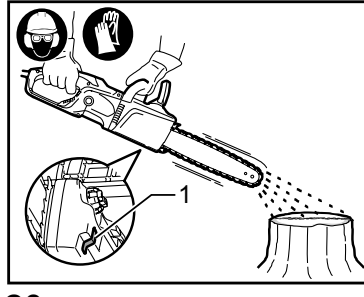
18

014387



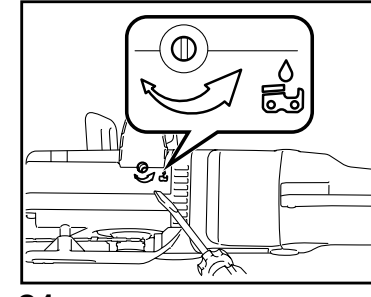
19

014439



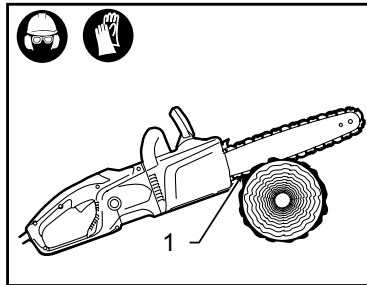
20

014517



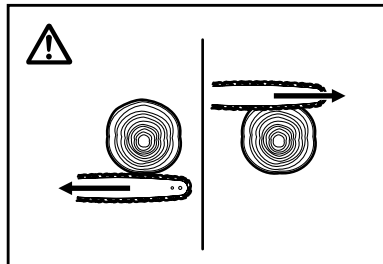
21

014392



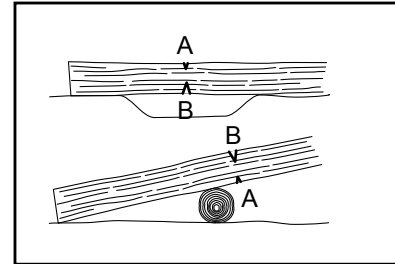
22

014389



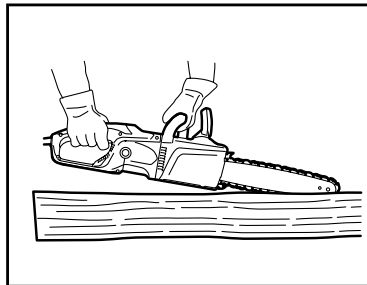
23

006914



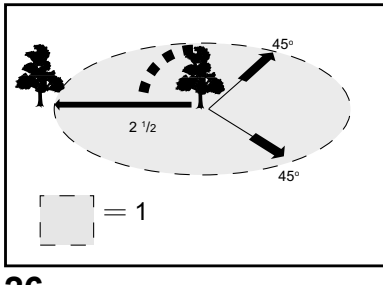
24

006915



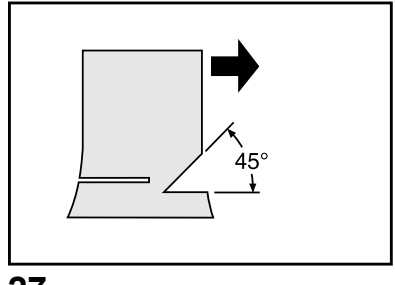
25

014390



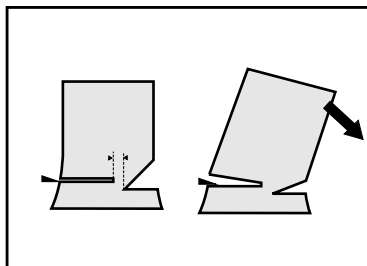
26

006917



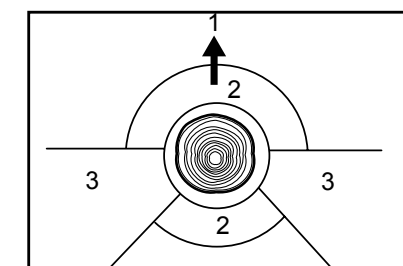
27

006918



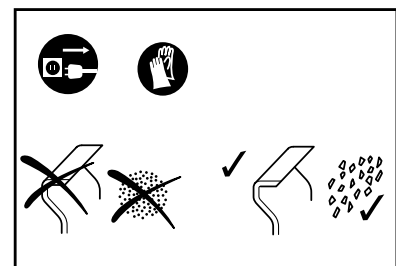
28

006923



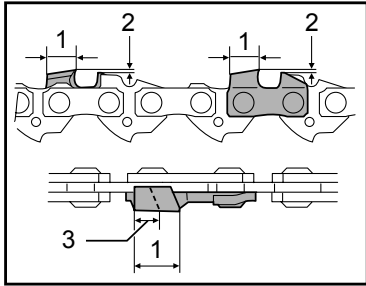
29

009202



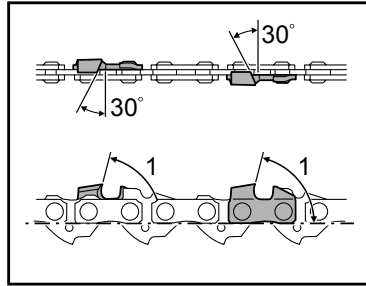
30

006924



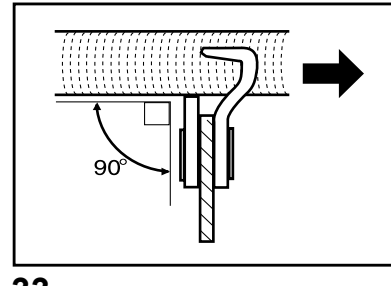
31

014456



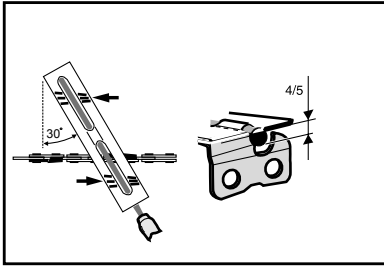
32

014455



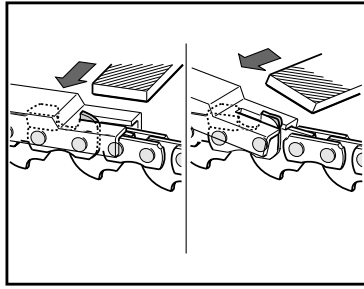
33

006927



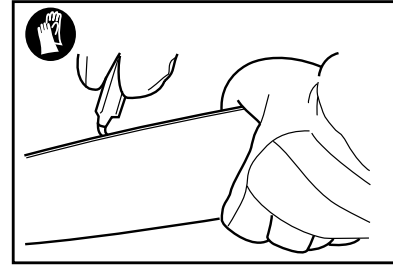
34

006928



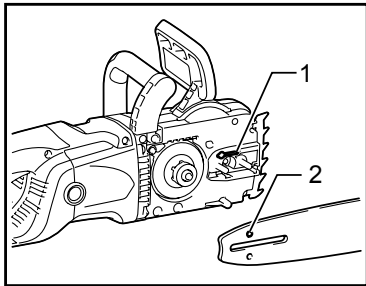
35

014344



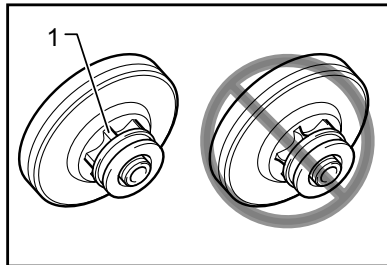
36

006930



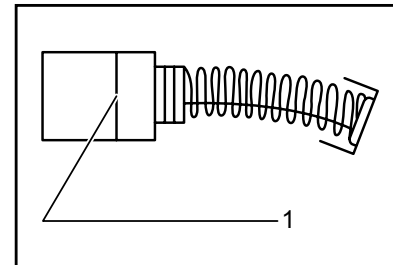
37

014391



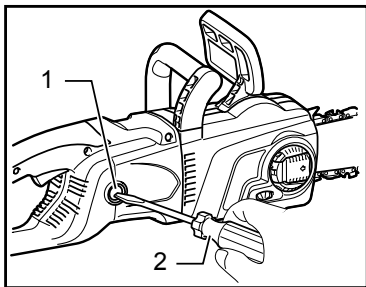
38

014513



39

001145



40

014395

ENGLISH (Original instructions)

Explanation of general view

2-1. Lever	12-1. Cord hook	19-1. Front hand guard
2-2. Sprocket cover	12-2. Tool's cord	19-2. Unlock
3-1. Adjusting screw	12-3. Extension cord	19-3. Lock
4-1. Adjusting dial	12-4. Plug and socket (the shape may differ from country to country)	20-1. Oil level sight
5-1. Sprocket	13-1. Lock-off button	22-1. Spike bumper
6-1. Guide bar	13-2. Switch trigger	26-1. Felling area
6-2. Hole	15-1. Oil filler cap	29-1. Felling direction
7-1. Hook	15-2. Strap	29-2. Danger zone
7-2. Hole	16-1. Loosen	29-3. Escape route
7-3. Pin	16-2. Tighten	31-1. Cutting length
9-1. Lever	16-3. Chain adjusting screw	31-2. Distance between cutting edge and depth gauge
9-2. Sprocket cover	16-4. Guide bar	31-3. Minimum 3 mm
10-1. Loosen	16-5. Saw chain	32-1. Side plate angle
10-2. Tighten	17-1. Loosen	37-1. Oil guide groove
10-3. Chain adjusting screw	17-2. Tighten	37-2. Oil feed hole
10-4. Guide bar	17-3. Adjusting dial	38-1. Sprocket
10-5. Saw chain	17-4. Guide bar	39-1. Limit mark
11-1. Loosen	17-5. Saw chain	40-1. Brush holder cap
11-2. Tighten	18-1. Front hand guard	40-2. Screwdriver
11-3. Adjusting dial	18-2. Lock	
11-4. Guide bar	18-3. Unlock	
11-5. Saw chain		

SPECIFICATIONS

Model	UC3050A	UC3051A	UC3550A	UC3550AP	UC3551A	UC4050A	UC4051A	UC4550A	UC4551A	
Max. chain speed	14.5 m/s (870 m/min)									
Standard guide bar	Bar length	300 mm		350 mm		400 mm		450 mm		
	Cutting length	260 mm		320 mm		355 mm		415 mm		
	Guide bar type	Sprocket nose bar								
Standard saw chain	Type	91PX								
	Pitch	3/8"								
	No. of drive links	46		52		56		62		
Recommended guide bar length	300 - 450 mm									
Overall length (without guide bar)	505 mm									
Net weight	5.4 kg	5.5 kg	5.5 kg	5.6 kg	5.5 kg	5.6 kg	5.7 kg			
Extension cable (optional)	DIN 57282/HO 7RN -F L=30 m max.,3x1.5 mm ²									

- Due to our continuing program of research and development, the specifications herein are subject to change without notice.
- Specifications may differ from country to country.
- Weight according to EPTA-Procedure 01/2003

END218-7

Symbol

The following show the symbols used for the equipment. Be sure that you understand their meaning before use.



• Read instruction manual and follow the warnings and safety instructions.



• Wear eye protection.



• Wear ear protection.



• DOUBLE INSULATION



• Caution: particular care and attention required!



• Caution: withdraw the mains plug immediately if the cable is damaged!



• Caution: kickback!



• Protect against rain and damp!



• Wear a helmet, goggles and ear protection!



• Wear safety gloves!



- Withdraw the mains plug!



- First aid



- Maximum permissible length of cut



- Direction of chain travel



- Chain oil



- Chain brake released



- Chain brake applied



- Prohibited!



- Only for EU countries
Do not dispose of electric equipment together with household waste material!

In observance of the European Directive, on Waste Electric and Electronic Equipment and its implementation in accordance with national law, electric equipment that have reached the end of their life must be collected separately and returned to an environmentally compatible recycling facility.

ENE085-1

Intended use

The tool is intended for cutting lumbers and logs.

ENF002-2

Power supply

The tool should be connected only to a power supply of the same voltage as indicated on the nameplate, and can only be operated on single-phase AC supply. They are double-insulated and can, therefore, also be used from sockets without earth wire.

ENG905-1

Noise

The typical A-weighted noise level determined according to EN60745:

Sound pressure level (L_{pA}) : 90.8 dB (A)

Sound power level (L_{WA}) : 101.8 dB (A)

Uncertainty (K) : 2.5 dB (A)

Wear ear protection

ENG900-1

Vibration

The vibration total value (tri-axial vector sum) determined according to EN60745:

Work mode : cutting wood

Vibration emission (a_{hv}) : 5.2 m/s²

Uncertainty (K) : 1.5 m/s²

ENG901-1

- The declared vibration emission value has been measured in accordance with the standard test method and may be used for comparing one tool with another.
- The declared vibration emission value may also be used in a preliminary assessment of exposure.

⚠WARNING:

- The vibration emission during actual use of the power tool can differ from the declared emission value depending on the ways in which the tool is used.
- Be sure to identify safety measures to protect the operator that are based on an estimation of exposure in the actual conditions of use (taking account of all parts of the operating cycle such as the times when the tool is switched off and when it is running idle in addition to the trigger time).

ENH030-5

For European countries only

EC Declaration of Conformity

Makita declares that the following Machine(s):

Designation of Machine:

Chain Saw

Model No./ Type: UC3050A, UC3550A, UC4050A, UC4550A, UC3051A, UC3551A, UC3550AP, UC4051A, UC4551A

Specifications: see "SPECIFICATIONS" table.

Conforms to the following European Directives:

2000/14/EC, 2006/42/EC

They are manufactured in accordance with the following standard or standardized documents:

EN60745

The EC-Type Examination Certificate No.5514056.14005

The EC-Type Examination per 2006/42/EC was performed by:

DEKRA Testing and Certification GmbH

Enderstraße 92b

01277 Dresden

Germany

Identification No. 2140

The technical file in accordance with 2006/42/EC is available from:

Makita, Jan-Baptist Vinkstraat 2, 3070, Belgium

The conformity assessment procedure required by Directive 2000/14/EC was in Accordance with annex V.

Measured Sound Power Level: 101.9 dB (A)

Guaranteed Sound Power Level: 103 dB (A)



000331

Yasushi Fukaya
Director

Makita, Jan-Baptist Vinkstraat 2, 3070, Belgium

GEA010-1

General Power Tool Safety Warnings

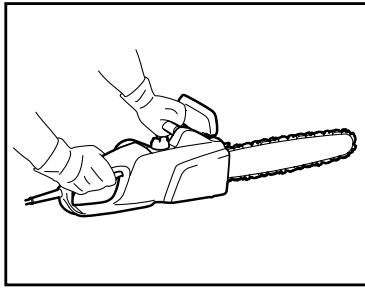
⚠ WARNING Read all safety warnings and all instructions. Failure to follow the warnings and instructions may result in electric shock, fire and/or serious injury.

Save all warnings and instructions for future reference.

GEB037-8

Chain saw safety warnings

1. **Keep all parts of the body away from the saw chain when the chain saw is operating. Before you start the chain saw, make sure the saw chain is not contacting anything.** A moment of inattention while operating chain saws may cause entanglement of your clothing or body with the saw chain.
2. **Always hold the chain saw with your right hand on the rear handle and your left hand on the front handle.** Holding the chain saw with a reversed hand configuration increases the risk of personal injury and should never be done.
3. **Hold the power tool by insulated gripping surfaces only, because the saw chain may contact hidden wiring or its own cord.** Saw chains contacting a "live" wire may make exposed metal parts of the power tool "live" and could give the operator an electric shock.
4. **Wear safety glasses and hearing protection. Further protective equipment for head, hands, legs and feet is recommended.** Adequate protective clothing will reduce personal injury by flying debris or accidental contact with the saw chain.
5. **Do not operate a chain saw in a tree.** Operation of a chain saw while up in a tree may result in personal injury.
6. **Always keep proper footing and operate the chain saw only when standing on fixed, secure and level surface.** Slippery or unstable surfaces such as ladders may cause a loss of balance or control of the chain saw.
7. **When cutting a limb that is under tension be alert for spring back.** When the tension in the wood fibres is released the spring loaded limb may strike the operator and/or throw the chain saw out of control.
8. **Use extreme caution when cutting brush and saplings.** The slender material may catch the saw chain and be whipped toward you or pull you off balance.
9. **Carry the chain saw by the front handle with the chain saw switched off and away from your body. When transporting or storing the chain saw always fit the guide bar cover.** Proper handling of the chain saw will reduce the likelihood of accidental contact with the moving saw chain.
10. **Follow instructions for lubricating, chain tensioning and changing accessories.** Improperly tensioned or lubricated chain may either break or increase the chance for kickback.
11. **Keep handles dry, clean, and free from oil and grease.** Greasy, oily handles are slippery causing loss of control.
12. **Cut wood only. Do not use chain saw for purposes not intended. For example: do not use chain saw for cutting plastic, masonry or non-wood building materials.** Use of the chain saw for operations different than intended could result in a hazardous situation.
13. **Causes and Operator Prevention of Kickback:** Kickback may occur when the nose or tip of the guide bar touches an object, or when the wood closes in and pinches the saw chain in the cut. Tip contact in some cases may cause a sudden reverse reaction, kicking the guide bar up and back towards the operator. Pinching the saw chain along the top of the guide bar may push the guide bar rapidly back towards the operator. Either of these reactions may cause you to lose control of the saw which could result in serious personal injury. Do not rely exclusively upon the safety devices built into your saw. As a chain saw user, you should take several steps to keep your cutting jobs free from accident or injury. Kickback is the result of tool misuse and/or incorrect operating procedures or conditions and can be avoided by taking proper precautions as given below:
 - **Maintain a firm grip, with thumbs and fingers encircling the chain saw handles, with both hands on the saw and position your body and arm to allow you to resist kickback forces.** Kickback forces can be controlled by the operator, if proper precautions are taken. Do not let go of the chain saw.



014316

- **Do not overreach and do not cut above shoulder height.** This helps prevent unintended tip contact and enables better control of the chain saw in unexpected situations.
- **Only use replacement bars and chains specified by the manufacturer.** Incorrect replacement bars and chains may cause chain breakage and/or kickback.
- **Follow the manufacturer's sharpening and maintenance instructions for the saw chain.** Decreasing the depth gauge height can lead to increased kickback.

ADDITIONAL SAFETY RULES

1. Read the instruction manual in order to familiarize yourself with operation of the chain saw.
2. Before using the chain saw for the first time, arrange to have instruction in its operation. If this is not possible, at least practice cutting round timber on a trestle before beginning work.
3. The chain saw must not be used by children or young persons under 18 years of age. Young persons over 16 years of age may be exempted from this restriction if they are undergoing training under the supervision of an expert.
4. Working with the chain saw requires a high level of concentration. Do not work with the saw if you are not feeling fit and well. Carry out all work calmly and carefully.
5. Never work under the influence of alcohol, drugs or medication.

Proper use

1. The chain saw is intended solely for cutting wood. Do not use it for example to cut plastic or porous concrete.
2. Only use the chain saw for operations described in this instruction manual. Do **not**, for example, use it to trim hedges or for similar purposes.
3. The chain saw must not be used for forestry work, i.e. for felling and limbing standing timber. The chain saw cable does not provide the operator with the mobility and safety required for such work.
4. The chain saw is not intended for commercial use.
5. Do not overload the chain saw.

Personal protective equipment

1. Clothing must be close-fitting, but must not obstruct mobility.
2. Wear the following protective clothing during work:
 - A tested safety helmet, if a hazard is presented by falling branches or similar;
 - A face mask or goggles;
 - Suitable ear protection (ear muffs, custom or mouldable ear plugs). Octave brand analysis upon request.
 - Firm leather safety gloves;
 - Long trousers manufactured from strong fabric;
 - Protective dungarees of cut-resistant fabric;
 - Safety shoes or boots with non-slip soles, steel toes, and cut-resistant fabric lining;
 - A breathing mask, when carrying out work which produces dust (e.g. sawing dry wood).

Protection against electric shock



- The chain saw must not be used in wet weather or damp environments, as the electric motor is not waterproof.
1. Only plug the saw into sockets in tested electrical circuits. Check that the system voltage matches that on the rating plate. Ensure that a 16 A line fuse is fitted. Saws used in the open air must be connected to a residual current-operated circuit-breaker with an operating current no higher than 30 mA.



- Should the connecting cable be damaged, withdraw the mains plug immediately.

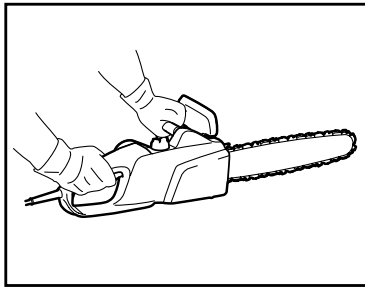
Safe working practices

1. Before starting work, check that the chain saw is in proper working order and that its condition complies with the safety regulations. Check in particular that:
 - The chain brake is working properly;
 - The run-down brake is working properly;
 - The bar and the sprocket cover are fitted correctly;
 - The chain has been sharpened and tensioned in accordance with the regulations;
 - The mains cable and mains plug are undamaged;

Refer to the "CHECKS " section.

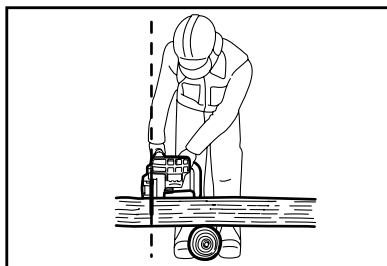
2. Always ensure in particular that the extension cable used is of adequate cross-section (see "SPECIFICATIONS"). When using a cable reel, wind the cable completely off the reel. When using the saw in the open air, ensure that the cable employed is intended for open-air use and is rated accordingly.
3. Keep the cord away from the cutting area and to position cord so that it will not be caught on branches, and the like, during cutting.
4. Do not operate the chain saw in the vicinity of flammable dust or gases, as the motor generates sparks and presents **a risk of explosion**.

5. Work only on firm ground and with a good footing. Pay particular attention to obstacles (e.g. the cable) in the working area. Take particular care where moisture, ice, snow, freshly cut wood or bark may make surfaces slippery. Do not stand on ladders or trees when using the saw.
6. Take particular care when working on sloping ground; rolling trunks and branches pose a potential hazard.
7. Never cut above shoulder height.
8. **Hold the chain saw with both hands when switching it on and using it.** Hold the rear handle with your right hand and the front handle with your left. Hold the handles firmly with your thumbs. The bar and the chain must not be in contact with any objects when the saw is switched on.



014316

9. Clean the area to be cut of foreign objects such as sand, stones, nails, wire, etc. Foreign objects damage the bar and chain, and can lead to dangerous kickback.
10. Take particular care when cutting in the vicinity of wire fences. Do not cut into the fence, as the saw may kick back.
11. Do not cut into the ground.
12. Cut pieces of wood singly, not in bunches or stacks.
13. Avoid using the saw to cut thin branches and roots, as these can become entangled in the chain saw. Loss of balance presents a hazard.
14. Use a secure support (trestle) when cutting sawn timber.
15. Do not use the chain saw to prise off or brush away pieces of wood and other objects.
16. Guide the chain saw such that no part of your body is within the extended path of the saw chain (see figure).



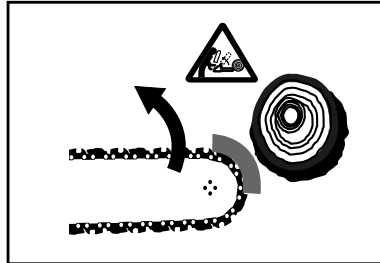
006909

17. When moving around between sawing operations, apply the chain brake in order to prevent the chain from being operated unintentionally. Hold the chain saw by the front handle when carrying it, and do not keep your finger on the switch.

18. Withdraw the mains plug when taking breaks or leaving the chain saw unattended. Leave the chain saw where it cannot present a hazard.

Kickback

1. Hazardous kickback may arise during work with the chain saw. Kickback arises when the tip of the bar (in particular the upper quarter) comes into contact with wood or another solid object. This causes the chainsaw to be deflected in the direction of the operator.



006919

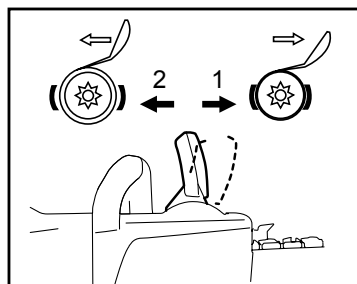
2. In order to avoid kickback, observe the following:
 - Never begin the cut with the tip of the bar.
 - Never use the tip of the bar for cutting. Take particular care when resuming cuts which have already been started.
 - Start the cut with the chain running.
 - Always sharpen the chain correctly. In particular, set the depth gauge to the correct height.
 - Never saw through several branches at a time.
 - When limbing, take care to prevent the bar from coming into contact with other branches.
 - When bucking, keep clear of adjacent trunks. Always observe the bar tip.
 - Use a trestle.

Safety features

1. Always check that the safety features are in working order before starting work. Do not use the chain saw if the safety features are not working properly.

Chain brake:

The chain saw is fitted with a chain brake which brings the saw chain to a standstill within a fraction of a second. It is activated when the hand guard is pushed forwards. The saw chain then stops within 0.15 s, and the power supply to the motor is interrupted.



014317

1. Chain brake applied
2. Chain brake released

- **Run-down brake:**
The chain saw is equipped with an run down brake which brings the saw chain to an immediate stop when the ON/OFF switch is released. This prevents the saw chain from running on when switched off, and thus presenting a hazard.
- The **front and rear hand guards** protect the user against injury from pieces of wood which may be thrown backwards, or a broken saw chain.
- The **trigger lockout** prevents the chain saw from being switched on accidentally.
- The **chain catcher** protects the user against injury should the chain jump or break.

Transport and storage



- When the chain saw is not in use or is being transported, withdraw the mains plug and fit the guide bar cover supplied with the saw. Never carry or transport the saw with the saw chain running.
1. Carry the chain saw by the front handle only, with the bar pointing backwards.
 2. Keep the chain saw in a secure, dry and locked room out of the reach of children. Do not store the chain saw outdoors.

MAINTENANCE

1. Withdraw the plug from the socket before carrying out any adjustments or maintenance.
2. Check the power cable regularly for damage to the insulation.
3. Clean the chain saw regularly.
4. Have any damage to the plastic housing repaired properly and immediately.
5. Do not use the saw if the switch trigger is not working properly. Have it properly repaired.
6. Under no circumstances should any modifications be made to the chain saw. Your safety is at risk.
7. Do not carry out maintenance or repair work other than that described in this instruction manual. Any other work must be carried out by authorized service centers.
8. Only use genuine replacement parts and accessories intended for your model of saw. The use of other parts increases the risk of accident.
9. We accept no responsibility for accidents or damage should non-approved bars, saw chains or other replacement parts or accessories be used.

First aid



- Do not work alone. Always work within shouting distance of a second person.
1. Always keep a first-aid box to hand. Replace any items taken from it immediately.
 2. Should you request assistance in the event of an accident, state the following:
 - Where did the accident happen?

- What happened?
- How many persons are injured?
- What injuries do they have?
- Who is reporting the accident?

NOTE:

Individuals with poor circulation who are exposed to excessive vibration may experience injury to blood vessels or the nervous system.

Vibration may cause the following symptoms to occur in the fingers, hands or wrists: "Falling asleep" (numbness), tingling, pain, stabbing sensation, alteration of skin colour or of the skin.

If any of these symptoms occur, see a physician!

SAVE THESE INSTRUCTIONS.

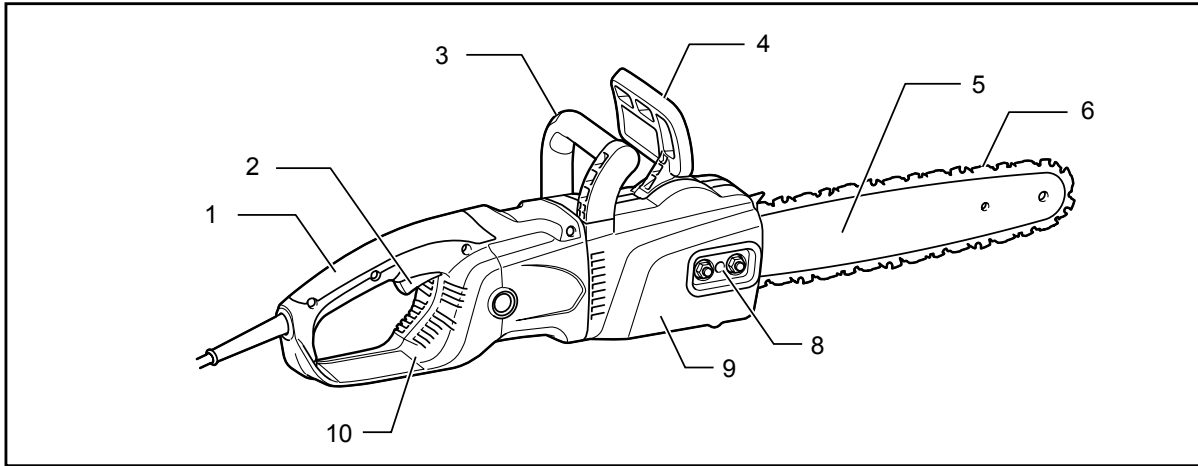
⚠WARNING:

DO NOT let comfort or familiarity with product (gained from repeated use) replace strict adherence to safety rules for the subject product. MISUSE or failure to follow the safety rules stated in this instruction manual may cause serious personal injury.

DESIGNATION OF PARTS

(Nut model: the sprocket cover is tightened by nuts.)

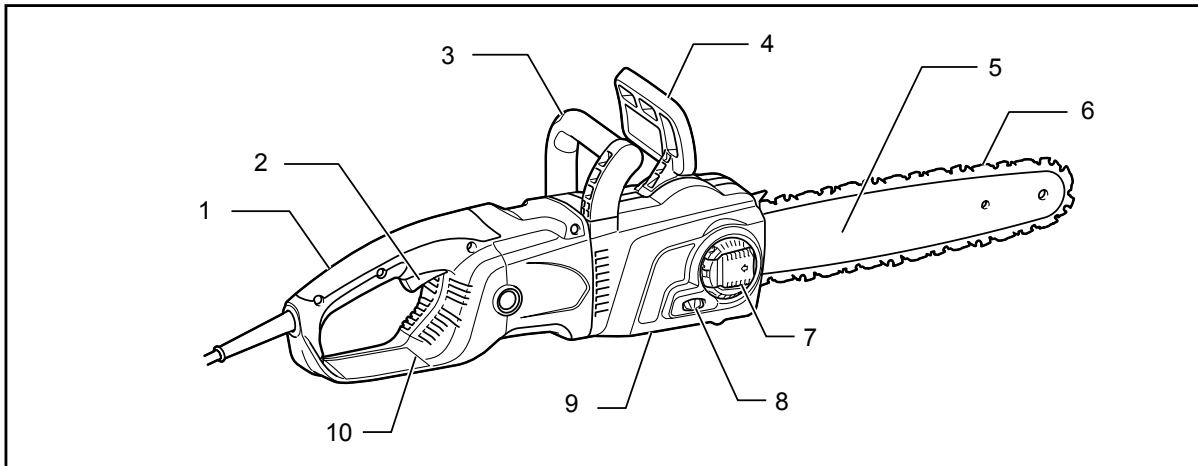
For Model UC3050A, UC3550A, UC3550AP, UC4050A, UC4550A



014372

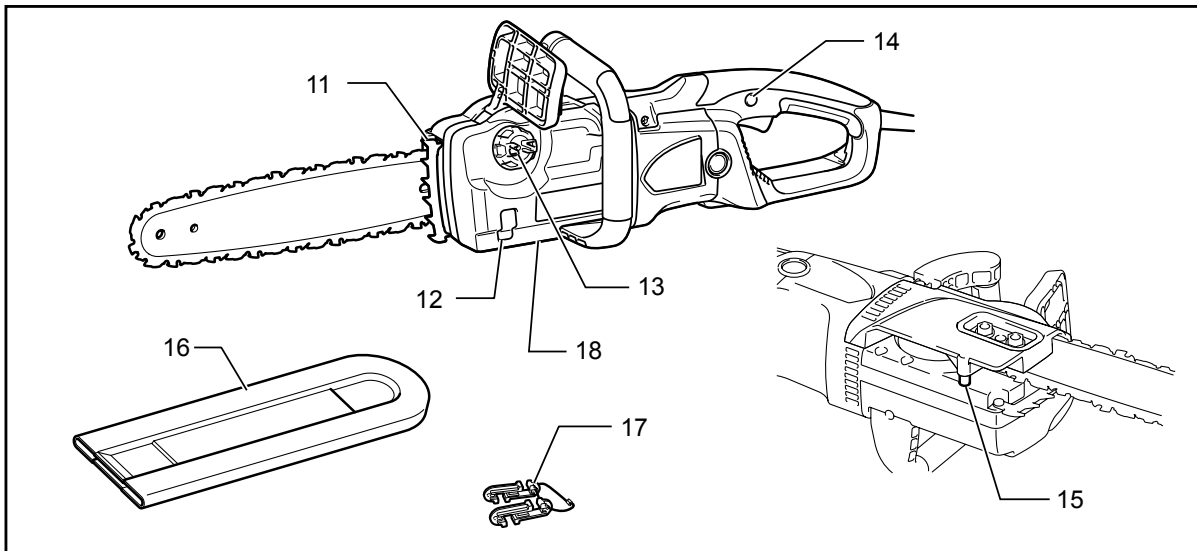
(Lever model: the sprocket cover is tightened by lever.)

For Model UC3051A, UC3551A, UC4051A, UC4551A



014373

(For all models)



014514

1	Rear handle	7	Lever	13	Oil filler cap
2	Switch trigger	8	Adjusting screw/dial	14	Lock-off button
3	Front handle	9	Sprocket cover	15	Chain catcher
4	Front hand guard	10	Rear hand guard	16	Guide bar cover
5	Guide bar	11	Spike bumper	17	Cord hook
6	Saw chain	12	Oil level sight	18	Adjusting screw for oil pump (at the bottom)

014375

ASSEMBLY

⚠ CAUTION:

- Always be sure that the tool is switched off and unplugged before carrying out any work on the tool.

Removing or installing sprocket cover

To remove the sprocket cover, perform the following steps:

(For nut models)

Fig.1

Loosen the nut.

(For lever models)

Fig.2

Press and fully open the lever until it stops.
Turn the lever counterclockwise.

To install the sprocket cover, perform the above steps in reverse.

Removing or installing saw chain

⚠ CAUTION:

- Always wear gloves when installing or removing the saw chain.

To remove the saw chain, perform the following steps:

- Loosen the sprocket cover.
- (For nut models) Turn the chain adjusting screw counterclockwise to release the saw chain tension.
(For lever models) Turn the adjusting dial to "-" direction to loosen the saw chain tension.

Fig.3

Fig.4

- Remove the sprocket cover.
- Remove the saw chain and guide bar from the chain saw.

To install the saw chain, perform the following steps:

- Make sure the direction of the chain. The arrow mark on the chain shows the direction of the chain.

Fig.5

- Fit in one end of the saw chain on the top of the guide bar and the other end of it around the sprocket.
- Place the guide bar on the chain saw.
- Align the tension slide with the hole of the guide bar.

Fig.6

9. Holding the guide bar, and turn the chain adjusting screw / dial to adjust the saw chain tension.
10. Place the sprocket cover so that the hooks fit alongside the holes and the pin fits its counterpart on the sprocket cover.

Fig.7

11. Tighten the sprocket cover.

Fig.8**Fig.9****Adjusting saw chain tension**

The saw chain may become loose after many hours of use. From time to time check the saw chain tension before use.

1. Loosen the sprocket cover lightly.
2. Lift up the guide bar tip slightly.
3. Turn the adjusting screw / dial to adjust saw chain tension.

Fig.10**Fig.11**

4. Tighten the saw chain until the lower side of the saw chain fits in the guide bar rail (see circle).
5. Keep holding the guide bar lightly, tighten the sprocket cover after adjusting the chain tension. Make sure that the saw chain does not loose at lower side.

Make sure the saw chain fits snugly against the lower side of the bar.

⚠CAUTION:

- Do not tighten the saw chain too much. Excessively high tension of saw chain may cause breakage of saw chain, wear of the guide bar and breakage of the adjusting dial.
- A chain which is too loose can jump off the bar, and therefore presents an accident risk.
- Carry out the procedure of installing or removing saw chain in a clean place free from sawdust and the like.

Engaging extension cord**⚠CAUTION:**

- Make sure that the extension cord is unplugged to the mains outlet.

Fig.12

When engaging the extension cord, secure it to the chain saw's cord with the cord hook.

Attach the cord hook about 100 - 200 mm from the extension cord connector. This helps prevent unintentional disconnection.

OPERATION**⚠CAUTION:**

- Hold the tool firmly with right hand on the rear handle and left hand on the front handle when performing the tool.

Switch action**Fig.13****⚠CAUTION:**

- Always be sure that the tool is switched off and unplugged before checking function on the switch trigger.
- Before plugging in the tool, always check to see that the switch trigger actuates properly and returns to the "OFF" position when released.

To prevent the switch trigger from being accidentally pulled, a lock-off button is provided.

To start the tool, depress the lock-off button and pull the switch trigger. Release the switch trigger to stop.

Lubrication**⚠CAUTION:**

- Always be sure that the tool is switched off and unplugged before lubricating the saw chain.

Fig.14

Lubricate the saw chain and bar using biologically degradable saw chain oil with an adhesion agent. The adhesion agent in the saw chain oil prevents the oil from being thrown off the saw excessively quickly. Mineral oils must not be used, as they are harmful to the environment.

⚠CAUTION:

- Prevent the oil from coming into contact with the skin and eyes. Contact with the eyes causes irritation. In the event of eye contact, flush the affected eye immediately with clear water, then consult a doctor at once.
- Never use waste oil. Waste oil contains carcinogenic substances. The contaminants in waste oil cause accelerated wear of the oil pump, the bar and the chain. Waste oil is harmful to the environment.
- When filling the chain saw with chain oil for the first time, or refilling the tank after it has been completely emptied, add oil up to the bottom edge of the filler neck. The oil delivery may otherwise be impaired.

Fig.15

To fill the oil, perform the following steps:

1. Clean the area around the oil filler cap thoroughly to prevent any dirt from entering the oil tank.
2. Unscrew the oil filler cap and add oil up to the lower edge of the filler neck.
3. Screw the oil filler cap firmly back in place.
4. Wipe away any spilt chain oil carefully.

NOTE:

- When the chain saw is used for the first time, it may take up to two minutes for the saw chain oil to begin its lubricating effect upon the saw mechanism. Run the saw without load until it does so (see "CHECKS ").

CHECKS

Before starting work, carry out the following checks:

Checking the chain tension**⚠WARNING:**

- Always withdraw the mains plug before checking the chain tension, and wear safety gloves.

(For nut models)

Fig.16

(For lever models)

Fig.17

Make sure the saw chain fits snugly against the lower side of the bar (see circle).

Check the chain tension frequently, as new chains are subject to elongation.

Excessively high tension of saw chain may cause breakage of saw chain, wear of the guide bar and breakage of the adjusting dial.

A chain which is too loose can jump off the bar, and therefore presents an accident risk.

If the chain is too loose: Refer to the section titled "Adjusting saw chain tension" and adjust the saw chain tension again.

Checking the switch action**⚠CAUTION:**

Before plugging in the tool, always check to see that the switch trigger actuates properly and returns to the "OFF" position when released.

To prevent the switch trigger from being accidentally pulled, a lock-off button is provided.

To start the tool, depress the lock-off button and pull the switch trigger. Release the switch trigger to stop.

Do not pull the switch trigger hard without depressing the lock-off button. This may cause switch breakage.

Checking the chain brake**NOTE:**

- If the chain saw fails to start, check whether the chain brake is released. To release the chain brake, pull the hand guard backwards firmly until you feel it engage.

Fig.18**Fig.19**

Check the chain brake as follows:

- Hold the chain saw with both hands when switching it on. Hold the rear handle with your right hand, the front handle with your left. Make sure that the bar and the chain do not contact with any object.

- First press the lock-off button, then the switch trigger. The saw chain starts immediately.
- Press the front hand guard forwards using the back of your hand. Make sure that the saw chain comes to an immediate standstill.

⚠CAUTION:

- If the saw chain does not stop immediately, do not use the saw under any circumstances. Consult Makita authorized service centers.

Checking the run-down brake

Switch on the chain saw.

Release the switch trigger completely. Make sure the saw chain comes to a standstill within a second.

⚠CAUTION:

- If the saw chain does not stop immediately, do not use the saw under any circumstances. Consult Makita authorized service centers.

Checking the chain oiler

Before starting work, check the oil level in the tank, and the oil delivery.

The oil level can be seen in the oil level sight shown in the figure.

Fig.20

Check the oil delivery as follows:

Start the chain saw.

With the saw running, hold the saw chain approximately 15 cm above a tree trunk or the ground. If lubrication is adequate, the oil spray will produce a light oil trace.

Observe the wind direction, and do not expose yourself to the oil spray unnecessarily.

⚠CAUTION:

- If an oil trace is not formed, do not use the saw. The lifespan of the chain will otherwise be reduced. Check the oil level. Clean the oil feed groove and the oil feed hole in the bar (refer to "MAINTENANCE ").

Adjusting the chain lubrication**Fig.21**

You can adjust the oil pump feed rate with the adjusting screw.

WORKING WITH THE CHAIN SAW**⚠CAUTION:**

- Always use a front handle and rear handle and firmly hold the tool by both front handle and rear handle during operations.
- Always secure the timber to be cut, otherwise the cut fragments may cause personal injury.

Bucking

Fig.22

For bucking cuts, rest the spike bumper shown in the figure on the wood to be cut.

With the saw chain running, saw into the wood, using the rear handle to raise the saw and the front one to guide it. Use the spike bumper as a pivot.

Continue the cut by applying slight pressure to the front handle, easing the saw back slightly. Move the spike bumper further down the timber and raise the front handle again.

When making several cuts, switch the chain saw off between cuts.

⚠CAUTION:

- If the upper edge of the bar is used for cutting, the chain saw may be deflected in your direction if the chain becomes trapped. For this reason, cut with the lower edge, so that the saw will be deflected away from your body.

Fig.23

Cut wood under tension on the pressure side (A) first. Then make the final cut on the tension side (B). This prevents the bar from becoming trapped.

Fig.24

Limbing

⚠CAUTION:

- Limbing may only be performed by trained persons. A hazard is presented by the risk of kick-back.

When limbing, support the chain saw on the trunk if possible. Do not cut with the tip of the bar, as this presents a risk of kickback.

Pay particular attention to branches under tension. Do not cut unsupported branches from below.

Do not stand on the felled trunk when limbing.

Burrowing and parallel-to-grain cuts

⚠CAUTION:

- Burrowing and parallel-to-grain cuts may only be carried out by persons with special training. The possibility of kickback presents a risk of injury.

Fig.25

Perform parallel-to-grain cuts at as shallow an angle as possible. Carry out the cut as carefully as possible, as the spike bumper cannot be used.

Felling

⚠CAUTION:

- Felling work may only be performed by trained persons. The work is hazardous.

Observe local regulations if you wish to fell a tree.

Fig.26

- Before starting felling work, ensure that:
 - (1) Only persons involved in the felling operation are in the vicinity;

- (2) Any person involved has an unimpeded path of retreat through a range of approximately 45 ° either side of the felling axis. Consider the additional risk of tripping over electrical cables;

- (3) The base of the trunk is free of foreign objects, roots and stumps;

- (4) No persons or objects are present over a distance of 2 1/2 tree lengths in the direction in which the tree will fall.

- Consider the following with respect to each tree:
 - Direction of lean;
 - Loose or dry branches;
 - Height of the tree;
 - Natural overhang;
 - Whether or not the tree is rotten.
- Consider the wind speed and direction. Do not carry out felling work if the wind is gusting strongly.
- Trimming of root swellings: Begin with the largest swellings. Make the vertical cut first, then the horizontal cut.

Fig.27

- Cut a scarf: The scarf determines the direction in which the tree will fall, and guides it. It is made on the side towards which the tree is to fall. Cut the scarf as close to the ground as possible. First make the horizontal cut to a depth of 1/5 -1/3 of the trunk diameter. Do not make the scarf too large. Then make the diagonal cut.
- Cut any corrections to the scarf across its entire width.

Fig.28

- Make the back cut a little higher than the base cut of the scarf. The back cut must be exactly horizontal. Leave approximately 1/10 of the trunk diameter between the back cut and the scarf. The wood fibers in the uncut trunk portion act as a hinge. Do not cut right through the fibers under any circumstances, as the tree will otherwise fall unchecked. Insert wedges into the back cut in time.
- Only plastic or aluminum wedges may be used to keep the back cut open. The use of iron wedges is prohibited.
- Stand to the side of the falling tree. Keep an area clear to the rear of the falling tree up to an angle of 45 ° either side of the tree axis (refer to the " felling area " figure). Pay attention to falling branches.
- An escape path should be planned and cleared as necessary before cuts are started. The escape path should extend back and diagonally to the rear of the expected line of fall as illustrated in figure.

Fig.29

MAINTENANCE

⚠CAUTION:

- Always be sure that the tool is switched off and unplugged before attempting to perform inspection or maintenance.
- Always wear gloves when performing any inspection or maintenance.
- Never use gasoline, benzine, thinner, alcohol or the like. Discoloration, deformation or cracks may result.

Carry out the maintenance work described below at regular intervals. Warranty claims will be accepted only if these operations have been performed regularly and properly.

Only maintenance work described in this instruction manual may be performed by the user. Any other work must be carried out by MAKITA authorized service centers.

Cleaning the chain saw

Clean the saw regularly with a clean rag. The handles, in particular, must be kept free of oil.

Checking the plastic housing

Carry out regular visual inspections of all parts of the housing. If any parts are damaged, have them repaired immediately and properly in MAKITA authorized service centers.

Sharpening the saw chain

⚠CAUTION:

- Always withdraw the mains plug and wear safety gloves when performing work on the saw chain.

Fig.30

Sharpen the saw chain when:

- Mealy sawdust is produced when damp wood is cut;
- The chain penetrates the wood with difficulty, even when heavy pressure is applied;
- The cutting edge is obviously damaged;
- The saw pulls to the left or right in the wood. The reason for this behavior is uneven sharpening of the saw chain, or damage to one side only.

Sharpen the saw chain frequently, but remove only a little material each time.

Two or three strokes with a file are usually sufficient for routine reshaping. When the saw chain has been reshaped several times, have it sharpened in MAKITA authorized service center.

Sharpening criteria:

- All cutter length must be equal. Cutters of differing length prevent the chain from running smoothly, and may cause the chain to break.
- Do not sharpen the chain once a minimum cutter length of 3 mm has been reached. A new chain must then be fitted.

- The chip thickness is determined by the distance between the depth gauge (round nose) and the cutting edge.
- The best cutting results are obtained with following distance between cutting edge and depth gauge.
Chain blade 91PX: 0.65 mm

Fig.31

⚠WARNING:

- An excessive distance increases the risk of kick-back.
- The sharpening angle of 30 ° must be the same on all cutters. Differences in angle cause the chain to run roughly and unevenly, accelerate wear, and lead to chain breaks.
- The side plate angle of the cutter is determined by the depth of penetration of the round file. If the specified file is used properly, the correct side plate angle is produced automatically.
- Side plate angle for each saw chain are as follows:
Chain blade 91PX: 80 °

Fig.32

File and file guiding

- Use a special round file (optional accessory) for saw chains to sharpen the chain. Normal round files are not suitable.
- Diameter of the round file for each saw chain is as follows:
Chain blade 91PX: 4.0 mm
- The file should only engage the cutter on the forward stroke. Lift the file off the cutter on the return stroke.
- Sharpen the shortest cutter first. Then the length of this shortest cutter becomes the standard for all other cutters on the saw chain.

Fig.33

- Guide the file as shown in the figure.
- The file can be guided more easily if a file holder (optional accessory) is employed. The file holder has markings for the correct sharpening angle of 30 ° (align the markings parallel to the saw chain) and limits the depth of penetration (to 4/5 of the file diameter).

Fig.34

- After sharpening the chain, check the height of the depth gauge using the chain gauge tool (optional accessory).

Fig.35

- Remove any projecting material, however small, with a special flat file (optional accessory).
- Round off the front of the depth gauge again.

Cleaning the guide bar and lubricating the return sprocket

⚠CAUTION:

- Always wear safety gloves for this task. Burrs present a risk of injury.

Fig.36

Check the running surfaces of the bar regularly for damage. Clean using a suitable tool, and remove burrs if necessary.

If the chain saw receives frequent use, lubricate the return sprocket bearing at least once a week. Before adding new fresh grease, carefully clean the 2 mm hole on the tip of the guide bar, then force a small quantity of multi-purpose grease (optional accessory) into the hole.

Cleaning the oil guide

Fig.37

- Clean the oil guide groove and the oil feed hole in the bar at regular intervals.

New saw chains

Use two or three saw chains alternately, so that the saw chain, sprocket and running surfaces of the bar wear evenly.

Turn the bar over when changing the chain so that the bar groove wears evenly.

⚠CAUTION:

- Only use chains and bars which are approved for this model of saw (refer to "SPECIFICATIONS").

Fig.38

Before fitting a new saw chain, check the condition of the sprocket.

⚠CAUTION:

- A worn sprocket damages a new saw chain. Have the sprocket replaced in this case.

Always fit a new locking ring when replacing the sprocket.

Maintaining the chain and run-down brakes

The braking systems are very important safety features. Like any other component of the chain saw, they are subject to a certain degree of wear. They must be inspected regularly by MAKITA authorized service centers. This measure is for your own safety.

Replacing carbon brushes

Fig.39

Remove and check the carbon brushes regularly. Replace when they wear down to the limit mark. Keep the carbon brushes clean and free to slip in the holders. Both carbon brushes should be replaced at the same time. Use only identical carbon brushes.

Fig.40

Use a screwdriver to remove the brush holder caps. Take out the worn carbon brushes, insert the new ones and secure the brush holder caps.

After replacing brushes, plug in the tool and break in brushes by running tool with no load for about 10 minutes.

Storing tool

Biologically degradable saw chain oil can only be kept for a limited period. Beyond two years after manufacture, biological oils begin to acquire an adhesive quality, and cause damage to the oil pump and components in the lubricating system.

- Before taking the chain saw out of service for a longer period, empty the oil tank and fill it with a small quantity of engine oil (SAE 30).
- Run the chain saw briefly to flush all residue of the biological oil out of the tank, lubricating system and saw mechanism.

NOTE:

- When the chain saw is taken out of service, small quantities of chain oil leaks from it for some time afterwards. This is normal, and is not a sign of a fault.

Store the chain saw on a suitable surface.

Before returning the chain saw to service, fill up with fresh BIOTOP saw chain oil.

To maintain product SAFETY and RELIABILITY, repairs, any other maintenance or adjustment should be performed by Makita Authorized Service Centers, always using Makita replacement parts.

TROUBLE SHOOTING

Before asking for repairs, conduct your own inspection first. If you find a problem that is not explained in the manual, do not attempt to dismantle the tool. Instead, ask Makita Authorized Service Centers.

Malfunction status	Possible cause	Remedy
The chain saw does not start.	No power supply.	Connect to the power supply. Check the power supply.
	Cable defective.	Stop using the tool immediately, and ask your local authorized service center.
	Tool malfunction.	Stop using the tool immediately, and ask your local authorized service center.
Chain does not run.	Chain brake is engaged.	Release chain brake.
Insufficient performance.	Carbon brush worn down.	Ask your local authorized service center for repair.
No oil on the chain.	Oil tank is empty.	Fill the oil tank.
	Oil guide groove is dirty.	Clean the groove.
	Oil pump adjusting screw incorrectly adjusted.	Adjust the oil pump feed rate.
Chain does not stop even the chain brake is engaged.	Brake band worn down.	Stop using the tool immediately, and ask your local authorized service center.
The tool vibrates abnormally.	Loose guide bar or saw chain.	Adjust the guide bar and saw chain tension.
	Tool malfunction.	Stop using the tool immediately, and ask your local authorized service center.

014314

OPTIONAL ACCESSORIES

CAUTION:

- These accessories or attachments are recommended for use with your Makita tool specified in this manual. The use of any other accessories or attachments might present a risk of injury to persons. Only use accessory or attachment for its stated purpose.

If you need any assistance for more details regarding these accessories, ask your local Makita Service Center.

- Saw chain
- Guide bar cover
- Guide bar
- Saw chain oil

NOTE:

- Some items in the list may be included in the tool package as standard accessories. They may differ from country to country.

SLOVENŠČINA (izvirna navodila)

Razlaga splošnega pogleda

2-1. Ročica	12-1. Kavelj za kabel	18-3. Odkleni
2-2. Pokrov zobca kolesa	12-2. Kabel orodja	19-1. Sprednji ščitnik za roko
3-1. Nastavitveni vijak	12-3. Kabelski podaljšek	19-2. Odkleni
4-1. Nastavljiva številčnica	12-4. Vtič in vtičnica (oblika se lahko med posameznimi državami razlikuje)	19-3. Zakleni
5-1. Vsakočnik	13-1. Sprostilni gumb	20-1. Kontrola nivoja olja
6-1. Meč	13-2. Sprožilno stikalo	22-1. Ostroga
6-2. Odprtina	15-1. Kapica nastavka za dolivanje olja	26-1. Območje podiranja
7-1. Kljuka	15-2. Jermen	29-1. Smer podiranja
7-2. Odprtina	16-1. Zrahljati	29-2. Nevarno območje
7-3. Zatič	16-2. Priviti	29-3. Pot izhoda
9-1. Ročica	16-3. Prilagoditveni vijak verige	31-1. Dolžina reza
9-2. Pokrov zobca kolesa	16-4. Meč	31-2. Razdalja med rezalnim robom in merilnikom globine
10-1. Zrahljati	16-5. Veriga žage	31-3. Najmanj 3 mm
10-2. Priviti	17-1. Zrahljati	32-1. Čelni kot
10-3. Prilagoditveni vijak verige	17-2. Priviti	37-1. Utor vodila za olje
10-4. Meč	17-3. Nastavljiva številčnica	37-2. Odprtina za dolivanje olja
10-5. Veriga žage	17-4. Meč	38-1. Vsakočnik
11-1. Zrahljati	17-5. Veriga žage	39-1. Meja obrabljenosti
11-2. Priviti	18-1. Sprednji ščitnik za roko	40-1. Pokrov krtačke
11-3. Nastavljiva številčnica	18-2. Zakleni	40-2. Izvijač
11-4. Meč		
11-5. Veriga žage		

TEHNIČNI PODATKI

Model	UC3050A	UC3051A	UC3550A	UC3550AP	UC3551A	UC4050A	UC4051A	UC4550A	UC4551A	
Maks. hitrost verige	14,5 m/s (870 m/min)									
Standardni meč	Dolžina meča	300 mm	350 mm			400 mm	450 mm			
	Dolžina reza	260 mm	320 mm			355 mm	415 mm			
	Tip meča	Konica verižnika meča								
Standardna veriga žage	Tip	91PX								
	Naklon	3/8"								
	Št. pogonskih povezav	46	52			56	62			
Priporočena dolžina meča	300 - 450 mm									
Skupna dolžina (brez meča)	505 mm									
Neto teža	5,4 kg	5,5 kg	5,5 kg	5,6 kg	5,5 kg	5,6 kg	5,7 kg			
Podaljšek kabla (izbirno)	DIN 57282/HO 7RN -F D=30 m maks.,3x1,5 mm ²									

- Zaradi našega nenehnega programa raziskav in razvoja si pridružujemo pravico do spremembe tehničnih podatkov brez obvestila.
- Tehnični podatki se lahko razlikujejo od države do države.
- Teža je v skladu z EPTA-postopkom 01/2003

END218-7

Simbol

Naslednji simboli se uporabljajo v povezavi s strojem. Pred uporabo proizvoda se obvezno seznanite z njihovim pomenom.



- Preberite navodila za uporabo in upoštevajte opozorila in varnostna navodila.



- Uporabljajte zaščito za oči.



- Uporabljajte zaščito za sluh.
- DVOJNA IZOLACIJA
- Pozor: zahtevana posebna nega in pozornost!
- Pozor: če je kabel poškodovan, takoj izvlecite električni vtič!
- Pozor: povratni udarec!



• Zaščitite pred dežjem in vlago!



• Nosite čelado, očala in zaščito za sluh!



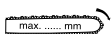
• Uporabljajte zaščitne rokavice!



• Izvlecite električni vtič!



• Prva pomoč



• Največja dovoljena dolžina reza



• Smer premika verige



• Verižno olje



• Zavora verige sproščena



• Zavora verige pritisnjena



• Prepovedano!



• Le za države EU
Električnega orodja ne odlagajte skupaj z gospodinjstvi odpadki!
V skladu z Evropsko direktivo o odpadni električni in elektronski opremi in z njenim izvajanjem v skladu z državno zakonodajo se mora električna oprema, ki je prišla do konca svojega življenjskega cikla, zbirati ločeno in se vrniti v okoljsko združljivo ustanovo za recikliranje.

ENE085-1

Namenska uporaba

Orodje je namenjeno za rezanje lesa in hlodov.

ENF002-2

Priključitev na električno omrežje

Napetost električnega omrežja se mora ujemati s podatki na tipski ploščici. Stroj deluje samo z enofazno izmenično napetostjo. Stroj je po evropskih smernicah dvojno zaščitno izoliran, zato se ga lahko priključi tudi na vtičnice brez ozemljitvenega voda.

ENG905-1

Hrup

Tipični, z A ocenjeni vrednosti hrupa glede na EN60745:

Raven zvočnega tlaka (L_{pA}): 90,8 dB (A)

Raven zvočne moči (L_{WA}): 101,8 dB (A)

Odstopanje (K): 2,5 dB (A)

Uporabljajte zaščito za sluh

ENG900-1

Vibracije

Skupne vrednosti vibracij (vektorska vsota treh osi) po EN60745:

Delovni način: rezanje lesa

Oddajanje tresljajev (a_h): 5,2 m/s²

Odstopanje (K): 1,5 m/s²

ENG901-1

- Navedena vrednost oddajanja vibracij je bila izmerjena v skladu s standardnimi metodami testiranja in se lahko uporablja za primerjavo orodij.
- Navedena vrednost oddajanja vibracij se lahko uporablja tudi pri predhodni oceni izpostavljenosti.

⚠ OPOZORILO:

- Oddajanje vibracij med dejansko uporabo električnega orodja se lahko razlikuje od navedene vrednosti oddajanja, odvisno od načina uporabe orodja.
- Upravljevec mora za lastno zaščito poznati varnostne ukrepe, ki temeljijo na oceni izpostavljenosti v dejanskih pogojih uporabe (upoštevajoč celoten delovni proces v trenutkih, ko je orodje izključeno in ko deluje v prostem teku z dodatkom časa sprožitve).

ENH030-5

Samo za evropske države

ES Izjava o skladnosti

Družba Makita izjavlja, da je/so naslednji stroj/-i:

Oznaka stroja:

Verižna žaga

Št. modela / tip: UC3050A, UC3550A, UC4050A, UC4550A, UC3051A, UC3551A, UC3550AP, UC4051A, UC4551A

Tehnični podatki: glejte tabelo "TEHNIČNI PODATKI".

Je skladen z naslednjimi evropskimi direktivami:

2000/14/ES, 2006/42/ES

Izdelan v skladu z naslednjim standardom ali standardiziranimi dokumenti:

EN60745

Potrdilo o pregledu tipa ES št.5514056,14005

Pregled tipa ES v skladu z 2006/42/ES je izvedel:

DEKRA Testing and Certification GmbH

Enderstraße 92b

01277 Dresden

Nemčija

Identifikacijska št. 2140

Tehnična dokumentacija v skladu z direktivo 2006/42/ES je na voljo na:

Makita, Jan-Baptist Vinkstraat 2, 3070, Belgija

Postopek za ugotavljanje skladnosti, ki ga predpisuje direktiva 2000/14/ES, je v skladu s prilogo V.

Izmerjena stopnja jakosti zvoka: 101,9 dB (A)

Zajamčena stopnja jakosti zvoka: 103 dB (A)

4.9.2014

Yasushi Fukaya

000331

Yasushi Fukaya

Direktor

Makita, Jan-Baptist Vinkstraat 2, 3070, Belgija

Splošna varnostna opozorila za električno orodje

⚠ OPOZORILO Preberite vsa varnostna opozorila in navodila. Neupoštevanje opozoril in navodil lahko vodi do električnega udara, požara, in/ali hudih telesnih poškodb.

Shranite vsa opozorila in navodila za kasnejšo uporabo.

GEB037-8

Varnostna opozorila za uporabo verižne žage

1. **Med delovanjem verižne žage ne približujte delov telesa verigi. Preden zaženete verižno žago se prepričajte, da se veriga ničesar ne dotika.** Trenutek nepazljivosti pri delu z verižnimi žagami lahko povzroči zapletanje vaših oblačil ali telesa v verigo žage.
2. **Vedno držite verižno žago z desno roko za zadnji ročaj in z levo za sprednji ročaj.** Obratno držanje verižne žage poveča tveganje za osebne poškodbe in ga nikoli ne smete izvesti.
3. **Električno orodje držite samo na izoliranih držalnih površinah, saj se lahko veriga žage dotakne skritih žic ali lastnega kabla.** Ob stiku verige žage z vodniki pod napetostjo dobijo napetost vsi neizolirani kovinski deli električnega orodja, zaradi česar lahko uporabnik utрпи električni udar.
4. **Uporabljajte zaščitna očala in zaščito za sluh. Priporočena je dodatna zaščita za glavo, roke, noge in stopala.** Zadostna zaščitna obleka bo zmanjšala telesne poškodbe zaradi letečih ostankov ali nenamernega stika z verigo žage.
5. **Ne uporabljajte verižne žage na drevesu.** Uporaba verižne žage na drevesu lahko povzroči telesne poškodbe.
6. **Vedno uporabljajte ustrezno obutev in uporabljajte verižno žago samo, če stojite na trdni, varni in ravni površini.** Drseča ali nestabilna površina, kot so lestve, lahko povzroči izgubo ravnotežja ali nadzora nad verižno žago.
7. **Kadar režete napeto vejo, bodite pozorni, ko odskoči nazaj.** Ko se napetost lesnih vlaken sprosti, lahko veja udari upravljavca in/ali povzroči nenadzorovano premikanje verižne žage.
8. **Bodite izjemno previdni pri rezanju mladik in sadik.** Vitek material lahko ujame verigo žage in jo vrže proti vam ali povzroči izgubo ravnotežja.
9. **Verižno žago nosite tako, da jo izklopljeno držite za sprednji ročaj in obrnjeno stran od telesa. Kadar nosite ali shranjujete verižno žago, vedno namestite pokrivalo meča.** Ustrezno ravnanje z verižno žago bo zmanjšalo verjetnost nenamernega stika s premikajočo se verigo.

10. **Upoštevajte navodila glede mazanja, napetosti verige in menjave pripomočkov.** Nepravilno napeta ali namazana veriga se lahko strga ali poveča možnost povratnega udarca.
11. **Ročaji morajo biti suhi, čisti in brez olja ter masti.** Mastni, naoljeni ročaji so drseči in povzročijo izgubo nadzora.
12. **Režite samo les. Verižne žage ne uporabljajte v nepredvidene namene. Na primer: verižne žage ne uporabljajte za rezanje plastike, zidov ali nelesenih gradbenih elementov.** Uporaba verižne žage, ki ni v skladu z namensko uporabo, lahko povzroči nevarno situacijo.
13. **Vzroki in preprečevanje povratnega udarca s strani upravljavca:**

Povratni udarec se lahko pojavi, če se konica meča dotakne kakšnega predmeta ali ko se les zapre in uklešči verigo v reži.

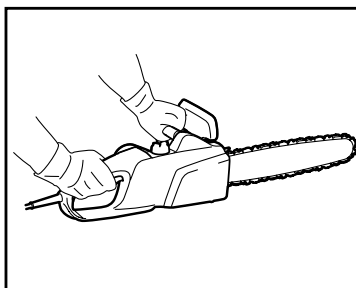
Stik konice lahko v nekaterih primerih povzroči nenadno obratno reakcijo, ki vrže meč navzgor in nazaj proti upravljavcu.

Zagostitev verige žage na vrhu meča lahko hitro potisne meč nazaj proti upravljavcu.

Katera koli izmed teh reakcij lahko povzroči izgubo nadzora nad žago, kar lahko povzroči hude telesne poškodbe. Ne zanašajte se izključno na zaščitne naprave, vgrajene v vašo žago. Kot uporabnik verižne žage morate izvesti nekaj korakov, da preprečite nesreče ali poškodbe med delom.

Povratni udarec je posledica nestrokovnega ravnanja z orodjem in/ali neugodnih okoliščin. Preprečite ga lahko z upoštevanjem spodaj navedenih opozoril.

- **Trdno držite žago, tako da s sklenjenimi prsti držite ročaja, imate obe roki na žagi in namestite telo ter roki tako, da boste lahko prestregli sile povratnega udarca.** Sile povratnega udarca lahko upravljavec nadzoruje, če izvede pravilne previdnostne ukrepe. Ne izpustite verižne žage.



014316

- **Ne segajte previsoko in ne režite nad višino ramen.** S tem boste preprečili nenamerni stik konice in omogočili boljši nadzor nad verižno žago v nepredvidenih situacijah.

- **Uporabljajte samo nadomestne meče in verige, ki jih je določil proizvajalec.** Nepravi nadomestni meči in verige lahko povzročijo strganje verige in/ali povratni udarec.
- **Upoštevajte navodila proizvajalca za brušenje in vzdrževanje verige žage.** Zmanjšanje višine merilnika globine lahko povzroči povečano možnost povratnega udarca.

DODATNA VARNOSTNA PRAVILA

1. Preberite navodila za uporabo, da se spoznate z obratovanjem verižne žage.
2. Preden prvič uporabite verižno žago uredite, da boste imeli uvajanje v delovanje. Če to ni mogoče, pa pred začetkom dela vadite na okroglem lesu na stojalu.
3. Verižne žage ne smejo uporabljati otroci ali mlajši od 18 let. Mladoletniki, starejši od 16 let, so lahko izvzeti iz te omejitve, če se usposablja pod nadzorom strokovnjaka.
4. Delo z verižno žago zahteva visoko stopnjo koncentracije. Ne delajte z verižno žago, če se ne počutite dobro. Vsa dela opravljajte mirno in previdno.
5. Nikoli ne delajte pod vplivom alkohola, drog ali zdravil.

Pravilna uporaba

1. Verižna žaga je namenjena izključno rezanju lesa. Ne uporabljajte je za rezanje plastike ali poroznega betona.
2. Verižno žago uporabljajte samo za dela, opisana v teh navodilih za uporabo. **Ne**, na primer, uporabljajte je za rezanje žive meje ali v podobne namene.
3. Verižne žage ni dovoljeno uporabljati za gozdarska dela, torej za podiranje in klestenje stoječega lesa. Kabel verižne žage ne omogoča upravljavcu premičnosti in varnosti, ki je potrebna za takšna dela.
4. Verižna žaga ni namenjena za komercialno uporabo.
5. Ne preobremenjujte verižne žage.

Osebna zaščitna oprema

1. Obleka se mora tesno prilegati, vendar ne sme ovirati gibljivosti.
2. Med delom nosite naslednja zaščitna oblačila:
 - Atestirano zaščitno čelado, če obstaja nevarnost padajočih vej ali podobna;
 - Obrazno masko ali očala;
 - Ustrezno zaščito sluha (čepki za ušesa, običajni ali uliti ušesni čepki). Analiza znamke Octave na zahtevo.
 - Zaščitne rokavice iz trdega usnja;

- Dolge hlače iz močne tkanine;
- Zaščitne delovne hlače iz tkanine, odporne na reze;
- Zaščitne čevlje ali škornje z neдрsečimi podplati, jeklenim prstnim delom in oblogo iz tkanine, odporne na reze;
- Dihalno masko, kadar delate v prašnem okolju (npr. žaganje suhega lesa).

Zaščita pred električnim udarom



- Verižne žage ne smete uporabljati pri mokrem vremenu ali v vlažnem okolju, saj električni motor ni vodoodporen.

1. Žago vključite samo v vtičnice preverjenega tokokroga. Preverite, ali se napetost sistema ujema s tisto na tipski ploščici. Prepričajte se, ali je nameščena 16 A varovalka. Žage, ki jih uporabljate na prostem, je treba priključiti na odklopnik na diferenčni tok z delovnim tokom, ki ne presega 30 mA.



- Če je priključni kabel poškodovan, takoj izvlcite električni vtič.

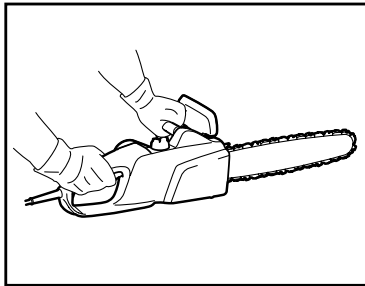
Varne delovne prakse

1. Pred začetkom dela preverite, ali verižna žaga pravilno deluje in ali se njeno stanje sklada s predpisi za varnost. Še posebej preverite:
 - ali zavora verige pravilno deluje,
 - ali zavora izteka pravilno deluje,
 - ali sta meč in pokrov zobca kolesa pravilno nameščena,
 - ali je veriga naostrena in napeta v skladu s pravili,
 - ali sta električni kabel in vtič nepoškodovana;

Glejte razdelek "PREGLEDI".

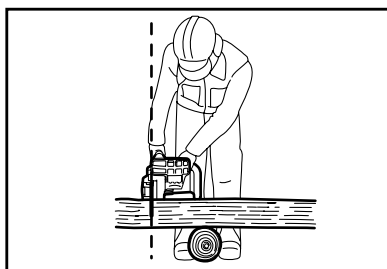
2. Vedno zagotovite uporabo podaljškov kablov z zadostnim prečnim prerezom (glejte "TEHNIČNI PODATKI"). Pri uporabi navitja kabla v celoti odvijte kabel. Kadar uporabljate žago na prostem, zagotovite, da je uporabljeni kabel namenjen za uporabo na prostem in ima ustrezne specifikacije.
3. Kabla ne približujte območju rezanja in namestite kabel tako, da se med rezanjem ne bo zataknil v veje ali podobno.
4. Ne uporabljajte verižne žage v bližini vnetljivega prahu ali plinov, saj motor ustvarja iskre in predstavlja **nevarnost eksplozije**.
5. Delajte samo na trdni podlagi z dobro obutvijo. Posebno pozornost namenite oviram (npr. kablu) v delovnem območju. Še posebej bodite pozorni na območjih, kjer je zaradi vlage, ledu, snega, sveže narezanega lesa ali lubja podlaga drseča. Med uporabo žage ne stojte na lestvah ali drevesih.
6. Bodite še posebej previdni pri delu na pobočjih; kotaleča se debla in veje predstavljajo morebitno nevarnost.
7. Nikoli ne režite nad višino ramen.

8. **Med vklopom in uporabo držite verižno žago z obema rokama.** Zadnji ročaj držite z desno, sprednjega pa z levo roko. Ročaja trdno držite z obema palcema. Meč in veriga ne smeta biti v stiku z nobenim predmetom, kadar je žaga vključena.



014316

9. Iz območja rezanja odstranite tujke, kot so pesek, kamni, žebli, žice itd. Tujki poškodujejo meč in verigo in lahko povzročijo nevaren povratni udarec.
10. Bodite še posebej previdni pri rezanju v bližini žičnih ograj. Ne zarezite v ograjo, saj lahko to povzroči povratni udarec žage.
11. Ne zarezite v tla.
12. Režite posamezne kose lesa in ne svežnjev ali kupov.
13. Izogibajte se uporabi žage za rezanje tankih vej in korenin, saj se lahko zataknejo v verigo žage. Izguba ravnotežja predstavlja tveganje.
14. Pri žaganju lesa uporabljajte varno podporno (stojalo).
15. Ne uporabljajte verižne žage za dviganje ali odstranjevanje kosov lesa in drugih predmetov.
16. Vodite verižno žago tako, da se noben del telesa ne nahaja znotraj podaljšane poti verige žage (glejte sliko).



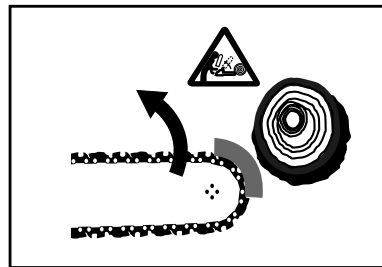
006909

17. Pri premikanju med žaganjem uporabite zavoro verige, da preprečite nenameren zagon verige. Med nošenjem držite verižno žago za sprednji ročaj in ne imejte prsta na sprožilcu.
18. Med odmori ali puščanjem nenadzorovane verižne žage izvlecite električni vtič. Puščajte verižno žago tam, kjer ne predstavlja nevarnosti.

Povratni udarec

1. Med delom z verižno žago lahko pride do nevarnega povratnega udarca. Do povratnega udarca pride, ko konica meča (še posebno

zgornja četrtina) pride v stik z lesom ali drugim trdnim predmetom. To povzroči odboj verižne žage v smeri upravljavca.

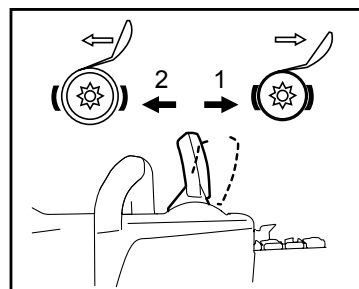


006919

2. Da boste preprečili povratni udarec, upoštevajte naslednje:
 - Nikoli ne začnite žagati s konico meča.
 - Nikoli ne uporabljajte konice meča za žaganje. Bodite še posebej previdni pri nadaljevanju rezov.
 - Začnite z rezom, ko veriga deluje.
 - Vedno pravilno naostrite verigo. Še posebej pravilno nastavite merilnik globine na pravilno višino.
 - Nikoli ne žagajte več vej hkrati.
 - Pri klestenju bodite previdni, da preprečite stik meča z drugimi vejami.
 - Pri luženju se ne približujte sosednjim deblom. Vedno glejte konico meča.
 - Uporabite stojalo.

Varnostne funkcije

1. Pred začetkom dela vedno preverite, ali varnostne funkcije delujejo. Ne uporabljajte verižne žage, če varnostne funkcije ne delujejo pravilno.
 - **Zavora verige:**
Verižna žaga je opremljena z zavoro verige, ki zaustavi verigo žage v delčku sekunde. Aktivira se, ko potisnete ščitnik roke naprej. Veriga žage se nato ustavi v 0,15 s, napajanje motorja pa se prekine.



014317

1. Pritisnjena zavora verige
2. Sproščena zavora verige

- **Zavora izteka:**
Veriga žage je opremljena z zavoro izteka, ki nemudoma zaustavi verigo žage, ko spustite stikalo za VKLOP/IZKLOP. To prepreči nevarnost zagona verige, ko je žaga izklopljena.
- **Sprednji in zadnji ščitniki rok** ščitijo uporabnika pred poškodbami zaradi letečih kosov lesa ali strgane verige.

- **Sprožilni zaklep** preprečuje nenamerni vklop verižne žage.
- **Lovilnik verige** ščiti uporabnika pred poškodbami, če veriga odskoči ali se strga.

Prenašanje in hramba



- Kadar verižne žage ne uporabljate ali med prenašanjem, izvlecite električni vtič in namestite pokrov meča, ki je priložen žagi. Nikoli ne prenašajte ali prevažajte žage z delujočo verigo.
1. Verižno žago nosite samo za sprednji ročaj, meč pa mora biti obrnjen nazaj.
 2. Verižno žago hranite v varnem, suhem in zaklenjenem prostoru izven dosega otrok. Ne hranite verižne žage na prostem.

VZDRŽEVANJE

1. Pred izvajanjem prilagoditev ali vzdrževanjem izvlecite vtič iz vtičnice.
2. Redno preverjajte napajalni kabel glede poškodovane izolacije.
3. Redno čistite verižno žago.
4. Morebitne poškodbe plastičnega ohišja je treba ustrezno in takoj popraviti.
5. Ne uporabljajte žage, če sprožilno stikalo ne deluje pravilno. Ustrezno ga popravite.
6. V nobenem primeru ni dovoljeno spreminjanje verižne žage. Vaša varnost je ogrožena.
7. Ne izvajajte drugih vzdrževalnih del ali popravil kot samo tiste, ki so opisani v teh navodilih za uporabo. Vsakršno drugo delo mora izvesti pooblaščen servis.
8. Uporabljajte samo originalne nadomestne dele in pripomočke, ki so namenjeni za vaš model žage. Uporaba drugih delov poveča nevarnost nesreče.
9. Ne prevzemamo odgovornosti za nesreče ali poškodbe, če se uporabljajo neodobreni meči, verige ali drugi nadomestni deli ali pripomočki.

Prva pomoč



- Ne delajte sami. Vedno delajte znotraj slišne razdalje do druge osebe.
1. Vedno imejte pri roki škatlo za prvo pomoč. Takoj nadomestite vse predmete, ki ste jih uporabili.
 2. Če potrebujete pomoč v primeru nesreče, navedite naslednje:
 - Kje se je nesreča zgodila?
 - Kaj se je zgodilo?
 - Koliko oseb je poškodovanih?
 - Kakšne vrste poškodb imajo?
 - Kdo poroča o nesreči?

OPOMBA:

Pri posameznikih s slabo prekrvavitvijo, ki so izpostavljeni čezmernim vibracijam, lahko pride do poškodb krvnih žil ali živčnega sistema.

Vibracije lahko povzročijo naslednje simptome, ki se pojavijo v prstih, dlaneh ali zapestjih: "Spanje" (odrevenelost), mravljinca, bolečina, občutek zbadanja, spremembe barve kože ali kože same.

Če opazite kateri koli izmed teh pojavov, poiščite zdravniško pomoč!

SHRANITE TA NAVODILA.

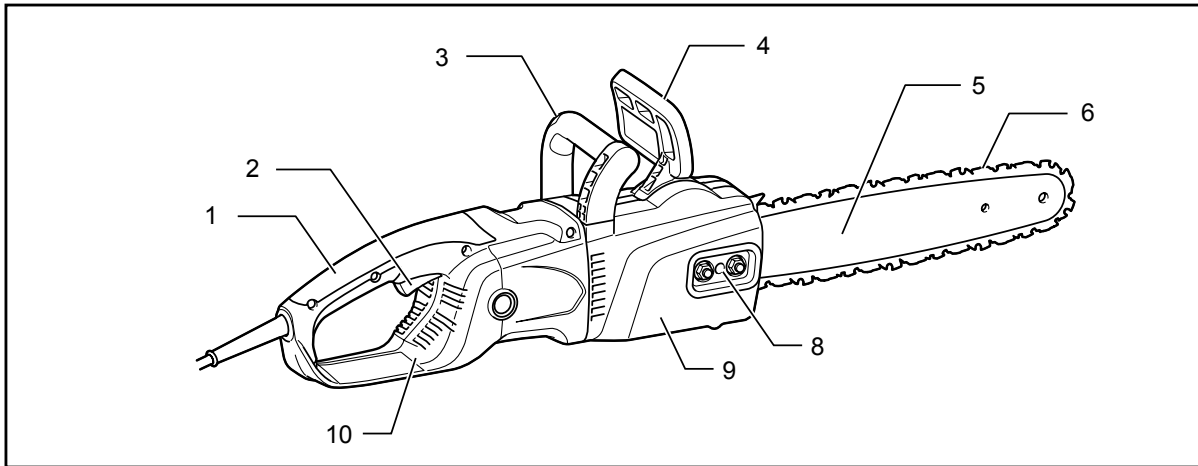
⚠ OPOZORILO:

NE dopustite si, da bi zaradi udobnejšega dela ali poznavanja izdelka (pridobljenega z večkratno uporabo) opustili striktno upoštevanje varnostnih pravil pri uporabi stroja. ZLORABA ali neupoštevanje varnostnih pravil v teh navodilih za uporabo lahko povzroči hude telesne poškodbe.

OZNAKA DELOV

(Model matice: pokrov verižnika se zategne z maticami.)

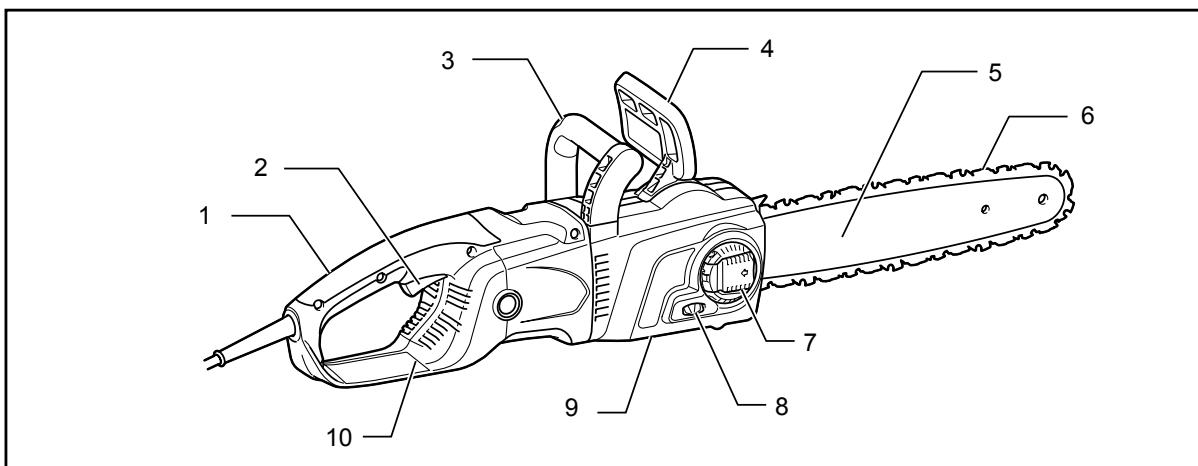
Za model UC3050A, UC3550A, UC3550AP, UC4050A, UC4550A



014372

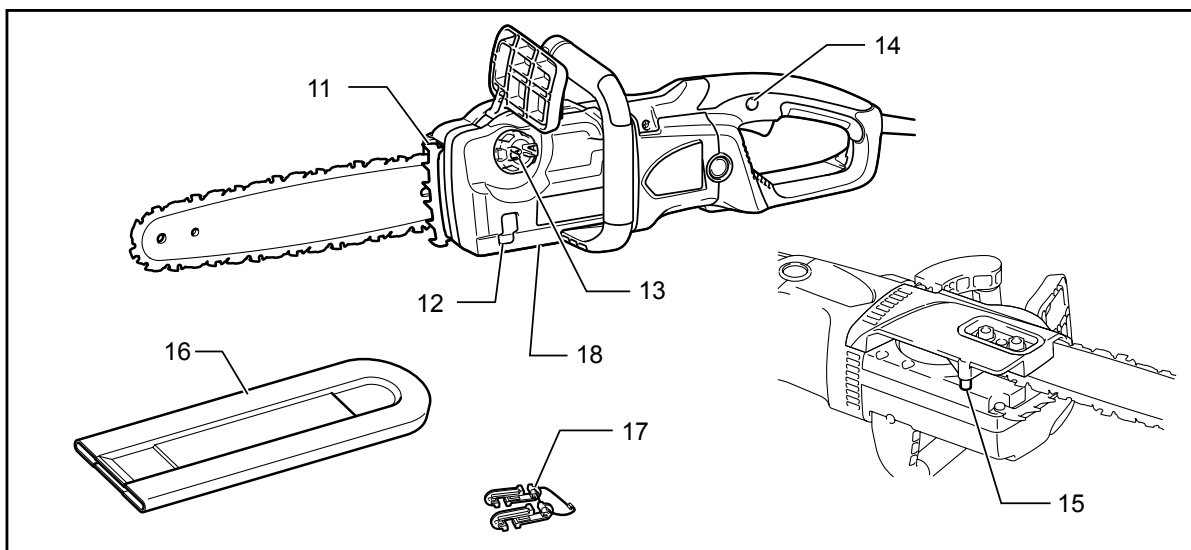
(Model ročice: pokrov verižnika se zategne z ročico.)

Za model UC3051A, UC3551A, UC4051A, UC4551A



014373

(Za vse modele)



014514

1	Zadnji ročaj	7	Ročica	13	Kapica nastavka za dolivanje olja
2	Sprožilno stikalo	8	Prilagoditveni vijak/številčnica	14	Sprostilni gumb
3	Sprednji ročaj	9	Pokrov zobca kolesa	15	Lovilnik verige
4	Sprednji ščitnik za roko	10	Zadnji ščitnik za roko	16	Pokrov meča
5	Meč	11	Ostroga	17	Kavelj za kabel
6	Veriga žage	12	Kontrola nivoja olja	18	Prilagoditveni vijak črpalko za olje (na dnu)

014375

MONTAŽA

⚠ POZOR:

- Pred vsakim posegom v orodje se prepričajte, da je le to izključeno in ločeno od električnega omrežja.

Odstranjevanje ali nameščanje pokrova verižnika

Za odstranjevanje pokrova verižnika izvedite naslednje korake:

(Za modele z matico)

SI.1

Odvijte matico.

(Za modele z ročico)

SI.2

Pritisnite in v celoti odprite vzvod, dokler se ne ustavi. Obrnite ročico v nasprotni smeri urinega kazalca.

Za nameščanje pokrova verižnika izvedite zgornje korake v obratnem vrstnem redu.

Odstranjevanje ali nameščanje verige žage

⚠ POZOR:

- Pri nameščanju in odstranjevanju verige žage vedno uporabljajte zaščitne rokavice.

Za odstranjevanje verige žage izvedite naslednje korake:

1. Zrahljajte pokrov verižnika.
2. (Za modele z matico) Obrnite prilagoditveni vijak verige v nasprotni smeri urinega kazalca, da sprostite napetost verige žage.
(Za modele z ročico) Obrnite prilagoditveno številčnico v smeri „-“, da sprostite napetost verige žage.

SI.3

SI.4

3. Odstranite ščitnik verižnega koluta.
4. Odstranite verigo žage in meč z verižne žage.

Za namestitev verige žage izvedite naslednje korake:

5. Preverite smer verige. Puščična oznaka na verigi kaže smer delovanja verige.

SI.5

6. Namestite en konec verige na zgornjo stran meča, drugega pa okrog verižnika.

7. Namestite meč na verižno žago.
8. Poravnajte napetostni drsnik z luknjo na meču.

SI.6

9. Medtem ko držite meč, obrnite prilagoditveni vijak verige/številčnico za nastavitev napetosti verige žage.
10. Namestite pokrov verižnika tako, da se kavliji prilegajo vzdolž luknje in da se zatiči prilegajo v dvojnike v pokrovu verižnika.

SI.7

11. Zategnite pokrov verižnika.

SI.8

SI.9

Nastavitev napetosti verige

Veriga se po več delovnih urah lahko sprosti. Zato pred zagonom občasno preverjajte napetost verige.

1. Rahlo zrahljajte pokrov verižnika.
2. Rahlo dvignite konico meča.
3. Obrnite prilagoditveni vijak/številčnico, da sprostite napetost verige žage.

SI.10

SI.11

4. Zategujte verigo žage, dokler se spodnja stran verige žage ne prilega v vodilo meča (glejte krog).
5. Še vedno rahlo držite meč, nato pa po nastavljanju napetosti verige zategnite pokrov verižnika. Prepričajte se, ali se morda veriga žage na spodnji strani ne zrahlja.

Prepričajte se, ali se veriga žage dobro prilega na spodnjo stran meča.

⚠️ POZOR:

- Verige žage ne zategnite preveč. Če je veriga preveč napeta, lahko pride do poškodbe verige, prezgodnje obrabe meča ali zloma nastavljalne številčnice.
- Preohlapna veriga lahko odskakuje in predstavlja nevarnost nesreče.
- Izvedite postopek nameščanja ali odstranjevanja verige žage v čistem prostoru, kjer ni lesnega prahu in podobnega.

Uporaba kablanskega podaljška

⚠️ POZOR:

- Prepričajte se, ali je kablanski podaljšek odklopljen z napajalne vtičnice.

SI.12

Pri uporabi kablanskega podaljška je treba le-tega pritrditi na kabel verižne žage s kavljem za kabel.

Priključite kavelj za kabel približno 100 - 200 mm od priključka kablanskega podaljška. S tem boste preprečili nenameren odklop.

DELOVANJE

⚠️ POZOR:

- Pri uporabi trdno držite orodje z desno roko za zadnji ročaj in z levo za sprednji ročaj.

Delovanje stikala

SI.13

⚠️ POZOR:

- Pred vsakim pregledom delovanja sprožilnega stikala se prepričajte, ali je le-ta izključeno in ločeno od električnega omrežja.
- Pred priključitvijo orodja na električno omrežje se vedno prepričajte, da je stikalo brezhibno in da se vrača v položaj za izklop (OFF), ko ga spustite.

Za preprečevanje nenamerne sprožitve stikala je nameščen sprostilni gumb.

Za zagon orodja hkrati pritisnite na sprostilni gumb in sprožilno stikalo. Za izklop orodja spustite sprožilno stikalo.

Mazanje

⚠️ POZOR:

- Pred mazanjem verige žage se prepričajte, ali je orodje izključeno in odklopljeno z električnega omrežja.

SI.14

Za mazanje verige in meča uporabljajte biološko razgradljivo verižno olje z dodatkom za sprijemanje. Dodatek preprečuje, da bi se verižno olje zaradi vrtenja prehitro ločilo od verige. Mineralna olja onesnažujejo okolje in zaradi tega niso dovoljena.

⚠️ POZOR:

- Izogibajte se stika olja s kožo in z očmi. Olje draži oči. Če pride do stika z očmi, prizadeto oko takoj izperite s čisto vodo. Nato nemudoma poiščite zdravniško pomoč.
- Nikoli ne uporabljajte odpadnega olja. Odpadno olje vsebuje kancerogene snovi. Nečistoče v odpadnem olju povzročajo hitro obrabljanje oljne črpalke, meča in verige. Odpadno olje je okolju škodljivo.
- Pri prvem polnjenju verižne žage z verižnim oljem ali pri polnjenju povsem izpraznjenega rezervoarja je treba olje nujno naliti do spodnjega roba polnilnega nastavka. V nasprotnem primeru se olje ne dovaja v zadostni meri.

SI.15

Za dolivanje olja izvedite naslednje korake:

1. Da bi preprečili vstop umazanije v rezervoar za olje, temeljito očistite okolico pokrova rezervoarja za olje.
2. Odvijte pokrov oljnega rezervoarja in nalijte olje do spodnjega roba polnilnega nastavka.
3. Trdno privijte pokrov oljnega rezervoarja.
4. Odvečno verižno olje skrbno obrišite.

OPOMBA:

- Pri prvem zagonu verižne žage lahko traja do dve minuti, preden začne verižno olje mazati mehanizem žage. Zato naj žaga deluje nekaj časa brez obremenitve (glejte "PREGLEDI").

PREGLEDI

Pred začetkom dela opravite naslednje preglede:

Pregled napetosti verige

⚠️ OPOZORILO:

- Pred pregledom napetosti verige izvlecite omrežni vtič in si nadenite zaščitne rokavice.

(Za modele z matico)

SI.16

(Za modele z ročico)

SI.17

Prepričajte se, ali se veriga žage dobro prilega na spodnjo stran meča (glejte krog).

Napetost verige preverjajte pogosto, saj se nova veriga sčasoma podaljšuje.

Če je veriga preveč napeta, lahko pride do poškodbe verige, prezgodnje obrabe meča ali zloma nastavljalne številčnice.

Preohlapna veriga lahko odskakuje in predstavlja nevarnost nesreče.

Če je veriga preohlapna: Glejte razdelek z naslovom „Nastavitev napetosti verige“ in znova prilagodite napetost verige.

Kontrola stikala za vklop/izklop

⚠️ POZOR:

Pred priključitvijo orodja na električno omrežje se vedno prepričajte, da je stikalo brezhibno in da se vrača v položaj za izklop (OFF), ko ga spustite.

Za preprečevanje nenamerne sprožitve stikala je nameščen sprostilni gumb.

Za zagon orodja hkrati pritisnite na sprostilni gumb in sprožilno stikalo. Za izklop orodja spustite sprožilno stikalo. Ne vlecite sprožilnega stikala močno, ne da bi pri tem pritisnili sprostilni gumb. To lahko povzroči zlom stikala.

Pregled zavore verige

OPOMBA:

- Če se verižna žaga ne zažene, preverite, ali je zavora verige sproščena. Za sprostitev zavore verige s krepkim potegom povlecite ščitnik nazaj do te mere, da se razločno zaskoči.

SI.18

SI.19

Preverite zavoro verige po naslednjem postopku:

1. Pri vklopu držite verižno žago trdno z obema rokama. Držite zadnji ročaj orodja z desno roko in sprednji ročaj z levo roko. Zagotovite, da se meč in veriga ne dotikata nobenega predmeta.
2. Najprej pritisnite gumb za zaklep, nato pa sprožilno stikalo. Veriga se takoj zažene.

3. Pritisnite sprednji ščitnik naprej s hrbtiščem roke. Prepričajte se, ali se veriga žage takoj ustavi.

⚠️ POZOR:

- Če se veriga žage ne ustavi takoj, žage v nobenem primeru ne uporabljajte. Posvetujte se s pooblaščenim servisom Makita.

Pregled zavore izteka

Vklopite verižno žago.

Popolnoma spustite sprožilno stikalo. Prepričajte se, ali se veriga žage ustavi v sekundi.

⚠️ POZOR:

- Če se veriga žage ne ustavi takoj, žage v nobenem primeru ne uporabljajte. Posvetujte se s pooblaščenim servisom Makita.

Pregled mazanja verige

Pred začetkom dela preverite količino olja v oljnem rezervoarju in dovajanje olja.

Količino olja preverite na kontrolnem okencu za nivo olja, kot kaže slika.

SI.20

Kontrola dovajanja olja:

Zaženite verižno žago.

Medtem ko verižna žaga deluje, jo držite približno 15 cm nad drevesnim štorom ali tlemi. Če je mazanje zadostno, nastaja opazna sled brizgajočega olja.

Bodite pozorni na smer vetra in se ne izpostavljajte brizgajočemu olju po nepotrebem.

⚠️ POZOR:

- Če ne opazite sledi olja, verižne žage ne uporabljajte. Brez mazanja je življenjska doba verige občutno krajša. Preverite količino olja. Očistite žleb za olje in izvrtino za dovod olja v meču (glejte "VZDRŽEVANJE").

Nastavitev mazanja verige

SI.21

Hitrost dovajanja črpalke za olje lahko nastavite s prilagoditvenim vijakom.

DELO Z VERIŽNO ŽAGO

⚠️ POZOR:

- Vedno uporabljajte sprednji in zadnji ročaj in med uporabo trdno držite orodje za sprednji in zadnji ročaj.
- Vedno zavarujte les, ki ga boste rezali, sicer lahko odrezani delci povzročijo telesne poškodbe.

Odrezovanje

SI.22

Pri odrezovanju prislonite ostrogo na les, kot kaže slika.

Zarežite z verižno žago v les. Medtem dvignite žago z zadnjim ročajem in jo vodite s sprednjim ročajem. Ostrogo uporabite kot vrtilišče.

Nadaljujte z rahlim pritiskanjem na sprednji ročaj. Pri tem vlecite žago nekoliko nazaj. Prislonite ostrogo globlje in spet dvigajte sprednji ročaj.

Kadar režete več kosov lesa, verižno žago med posameznimi rezi izklopote.

⚠️ POZOR:

- Pri rezanju z zgornjo stranjo meča lahko žaga v primeru zagozdenja verige sunkovito udari proti uporabniku. Iz tega razloga režite s spodnjo stranjo meča, saj se žaga v primeru zagozdenja verige premakne stran od telesa.

SI.23

Če režete napeti les, morate zarezati najprej na napeti strani (A). Nato izvedite ločilni rez na natezni strani (B). Na ta način lahko preprečite zagozdenje meča.

SI.24

Obvejevanje

⚠️ POZOR:

- Obvejevanje smejo izvajati samo ustrezno usposobljene osebe. Obstaja nevarnost poškodb zaradi povratnega udarca.

Pri obvejevanju morate verižno žago podpreti čim bližje deblu. V izogib povratnemu udarcu nikoli ne žagajte s konico meča.

Bodite posebej pozorni na napete veje. Visečih vej ne režite od spodaj.

Med obvejevanjem ne smete stati na ležečem deblu.

Vbodni in vzdolžni rezi

⚠️ POZOR:

- Vbodne in vzdolžne reze smejo izvajati samo ustrezno usposobljene osebe. Obstaja nevarnost poškodb zaradi povratnega udarca.

SI.25

Vzdolžne reze izvajajte pod čim manjšim kotom. Potrebna je posebna mera previdnosti, saj uporaba ostroge ni mogoča.

Podiranje dreves

⚠️ POZOR:

- Podiranje dreves smejo izvajati samo ustrezno usposobljene osebe. Delo je nevarno.

Pri podiranju dreves upoštevajte lokalne predpise.

SI.26

- Pred začetkom podiranja drevesa zagotovite:
 - (1) da se v območju podiranja dreves nahajajo samo delavci, ki dejansko sodelujejo pri podiranju,
 - (2) da je zagotovljen varen umik vseh udeležениh oseb na obeh straneh osi podiranja pod kotom približno 45°. Upoštevajte povečano nevarnost spotikanja na električnem kablu;
 - (3) da je vznožje debla očiščeno vseh tujkov, grmičevja in vej,
 - (4) Pred podiranjem morate preveriti smer padca in zagotoviti, da se v območju 2 1/2 kratnika dolžine drevesa ne nahajajo niti osebe niti predmeti.

- Pri vsakem drevesu upoštevajte naslednje:

- smer nagiba,
- majave ali suhe veje,
- višino drevesa,
- naravni previs,
- trhlost drevesa.

- Upoštevajte hitrost in smer vetra. Dreves ni dovoljeno podirati ob močnih sunkih vetra.
- Obrezovanje oprijetih korenin: začnite pri največjih koreninah. Najprej naredite navpičen in nato vodoraven rez.

SI.27

- Izdelava zaseka: Zasek določa smer padanja in vodi drevo med padanjem. Zasek naredite na tisti strani, v katero naj pade drevo. Zasek naj bo izrezan čim bolj pri tleh. Najprej naredite vodoraven rez v globini, ki znaša 1/5 - 1/3 premera debla. Zasek ne sme biti prevelik. Nato naredite poševni rez.
- Naredite ustrezne popravke zaseka po vsej širini.

SI.28

- Ločilni rez naredite nekoliko višje od spodnjega roba zaseka. Ločilni rez mora biti izveden v natančni vodoravni liniji. Pred zasekom naj ostane približno 1/10 premera debla kot prelomni del. V neprežaganem deblu služi prelomni del kot tečaj. Tega ne smete nikoli prežagati, saj je padec drevesa potem nepredvidljiv. V ločilni rez pravočasno vstavite kline.
- Ločilni rez smete zavarovati samo s klini iz plastike ali aluminija. Uporaba železnih klinov je prepovedana.
- Med padanjem drevesa se postavite bočno od drevesa. Oddaljite se v območju kota 45° v nasprotni smeri padanja drevesa (glejte sliko "Območje padanja"). Bodite pozorni na padajoče veje.
- Treba je načrtovati izhodno pot in jo po potrebi očistiti pred začetkom rezanja. Izhodna pot se mora raztezati nazaj in hrbtno diagonalno od pričakovane linije padanja, kot je prikazano v sliki.

SI.29

VZDRŽEVANJE

⚠️ POZOR:

- Preden se lotite pregledovanja ali vzdrževanja orodja, se vedno prepričajte, da je orodje izklopljeno in vtič izvlečen iz vtičnice.
- Med pregledi ali vzdrževanjem vedno uporabljajte rokavice.
- Nikoli ne uporabljajte bencina, razredčila, alkohola ali podobnega. V tem primeru se orodje lahko razbarva, deformira, lahko pa tudi nastanejo razpoke.

Spodaj navedena vzdrževalna dela izvajajte v rednih presledkih. Garancijski zahtevki se priznajo le v primeru,

da se vzdrževalna dela izvajajo redno in v skladu z navodili.

Sami izvajajte samo tista vzdrževalna dela, ki so opisana v teh navodilih za uporabo. Vsakršno drugo delo mora izvesti pooblaščen servis MAKITA.

Čiščenje verižne žage

Žago redno čistite s čisto krpo. Posebno pozornost namenite ročajem, ki ne smejo biti mastni.

Pregled plastičnega ohišja

Izvajajte redne vizualne preglede vseh delov ohišja. Če so kateri koli deli poškodovani, nemudoma odpeljite žago na popravilo v pooblaščen servis MAKITA.

Brušenje verige žage

POZOR:

- Pri vseh opravilih na verižni žagi obvezno izvlcite omrežni vtič in si nadenite zaščitne rokavice.

SI.30

Verigo nabrusite:

- če opazite mokasto žagovino pri žaganju vlažnega lesa,
- če veriga tudi pri močnejšem pritisku le stežka prodira v les,
- če je rezilni rob vidno poškodovan,
- Če žago med prodiranjem v les vleče postrani v levo ali desno. Do tega pride zaradi neenakomerno nabrušene verige žage ali zaradi enostranske poškodbe.

Verigo brusite pogosto, vendar s čim manjšim odvzemanjem materiala.

Za ostrenje praviloma zadoščajo dva do trije potegi s pilo. Po večkratnem ostrenju verige žage odnesite verigo na ostrenje v pooblaščen servis MAKITA.

Merila za brušenje:

- Dolžine vseh rezalnikov morajo biti enake. Različno visoki rezalni zobci povzročajo grob tek verige, zaradi katerega se veriga lahko pretrga.
- Verigo nabrusite takoj, ko opazite, da je dosežena minimalna dolžina rezalnih zob 3 mm. V tem primeru namestite novo verigo.
- Debelina odrezkov je odvisna od odmika med omejevalnikom globine (okrogli rob) in rezalnim robom.
- Za doseganje maksimalne zmogljivosti rezanja mora odmik med rezalnim robom in omejevalnikom globine znašati:

Rezalni zobec verige 91PX: 0,65 mm

SI.31

OPOZORILO:

- Prevelik odmik povečuje nevarnost povratnega udarca.
- Vsi rezalni zobci morajo biti nabrušeni pod kotom 30°. Različni koti brušenja povzročijo grob, neenakomeren tek verige, hitro obrabljanje in pretrg verige.

- Čelni kot rezalnega zoba je mogoče doseči z ustrežno globino prodiranja z okroglo pilo. Ustrezen čelni kot samodejno dosežete tako, da pravilno vodite pilo, ki je predpisana za brušenje.
- Stranski koti zobcev vseh verig žage so naslednji:
Rezalni zobec verige 91PX: 80°

SI.32

Pila in vodenje pile

- Za brušenje verige uporabljajte posebno okroglo pilo za verige (izbirni dodatni pribor). Običajne okrogle pile niso primerne.
- Premer okrogle pile za vse verige žage je naslednji:
Rezalni zobec verige 91PX: 4,0 mm
- Pilo vodite tako, da brusi rezalni zobec samo med potiskanjem naprej. Med povratnimi gibi pilo dvignite z rezalnega zobca.
- Najprej nabrusite najkrajši rezalni zobec. Dolžina tega zobca naj potem služi kot merilo za višino vseh ostalih rezalnih zobcev verige žage.

SI.33

- Pilo vodite v skladu s prikazom na sliki.
- Pilo je lažje voditi, če nanjo namestite držalo (dodatni pribor). Držalo ima oznake za pravilen kot brušenja 30° (oznake je treba poravnati vzporedno z verigo) in omejuje globino prodiranja (4/5 premera pile).

SI.34

- Ko je veriga nabrušena, preverite višino omejevalnika globine z merilom za verige (dodatni pribor).

SI.35

- Morebitne štrline, tudi če so minimalne, popravite s posebno ploščato pilo (dodatni pribor).
- Omejevalnik globine spredaj ponovno zaoblite.

Čiščenje meča in mazanje vodilnega koluta

POZOR:

- Pri tem opravilu obvezno uporabite zaščitne rokavice. Nevarnost poškodb na zarobkih.

SI.36

Redno preverjajte, ali so tekalne površine meča poškodovane. Očistite jih s primernim orodjem, po potrebi posnemite robove.

Pri intenzivnejši uporabi verižne žage mažite ležaj vodilnega koluta najmanj enkrat tedensko. Pred mazanjem temeljito očistite 2 mm veliko odprtino na konici meča, nato pa skozi odprtino vtisnite majhno količino večnamenske masti (dodatni pribor).

Čiščenje žleba za olje

SI.37

- Žleb za olje in izvrtino za dovod olja na meču je treba čistiti v rednih presledkih.

Nove verige

Da bi dosegli enakomerno obrabljanje verige, verižnega koluta in tekalnih površin meča, uporabljajte izmenično dve do tri verige.

Za enakomerno obrabljanje utora v meču, je treba meč pri menjavi verige obrniti.

POZOR:

- Uporabljajte samo verige in meče, ki so odobreni za posamezne verižne žage (glejte „TEHNIČNI PODATKI“).

SI.38

Preden namestite novo verigo, preglejte stanje verižnega koluta.

POZOR:

- Obrabljen verižnik lahko na novi verigi žage povzroči poškodbe. Verižnik je treba nujno zamenjati.

Pri vsaki menjavi verižnega koluta je treba vstaviti nov vskočnik.

Vzdrževanje zavore verige in zavore izteka

Zavorni sistemi so zelo pomembne varnostne naprave. Izpostavljeni so določeni meri obrabljanja kot vsi drugi deli verižne žage. Zavorne sisteme mora redno pregledovati pooblaščen servis MAKITA. Cilj teh pregledov je zagotoviti vašo varnost.

Menjava oglenih krtačk

SI.39

Ogleni krtački odstranjujte in preverjajte redno. Ko sta obrabljeni do meje obrabljenosti, ju zamenjajte. Ogleni krtački morata biti čisti, da bosta lahko neovirano zdrsnili v držali. Zamenjajte obe ogleni krtački naenkrat. Uporabljajte le enaki ogleni krtački.

SI.40

Z izvijačem odstranite pokrova krtačk. Izvlecite izrabljeni ogleni krtački, namestite novi in privijte oba pokrova krtačk.

Ko zamenjate ščetki, vklopite orodje in ščetki ter pustite delovati brez obremenitve okoli 10 minut.

Shranjevanje orodja

Biološko razgradljivo verižno olje ima omejen rok trajanja. Po dveh letih od datuma izdelave postanejo biološka olja lepljiva in povzročajo poškodbe v oljni črpalki in na sklopih, po katerih se prenaša olje.

- Pred skladiščenjem žage za daljše obdobje, izpraznite oljni rezervoar in nalijte vanj majhno količino motornega olja (SAE 30).
- Zaženite verižno žago in jo pustite nekaj časa delovati, da se odstranijo ostanki biološkega olja iz rezervoarja, mazalnega sistema in žage.

OPOMBA:

- Po ustavitvi verižne žage traja nekaj časa, preden verižno olje v celoti izteče. To je povsem običajno in ne pomeni, da gre za napako.

Verižna žaga naj bo shranjena na primerni podlagi.

Pred ponovnim zagonom nalijte v žago novo BIOTOP verižno olje.

VARNO in ZANESLJIVO delovanje tega izdelka bo zagotovljeno le, če boste popravila, vzdrževanje in nastavitve prepustili pooblaščenemu servisu za orodja Makita, ki vgrajuje izključno originalne nadomestne dele.

ODPRAVLJANJE TEŽAV

Preden prosite za popravilo, najprej izvedite lasten pregled. Če naletite na težavo, ki ni pojasnjena v navodilih, ne poskušajte razstavljati orodja. Namesto tega prosite pooblaščen servis Makita.

Stanje napačnega delovanja	Možen vzrok	Pomoč
Verižna žaga se ne zažene.	Ni napajanja.	Priključitev na omrežno napajanje. Preverite napajanje.
	Kabel poškodovan.	Takoj prenehajte z uporabo orodja in povprašajte pri vašem lokalnem pooblaščenem servisu.
	Napačno delovanje orodja.	Takoj prenehajte z uporabo orodja in povprašajte pri vašem lokalnem pooblaščenem servisu.
Veriga ne teče.	Zavora verige je sprožena.	Sprostite zavoro verige.
Nezadostna učinkovitost.	Oglena krtačka obrabljena.	Vprašajte v vašem lokalnem pooblaščenem servisu glede popravila.
Ni olja na verigi.	Rezervoar za olje je prazen.	Napolnite rezervoar za olje.
	Utor vodila za olje je umazan.	Očistite utor.
	Prilagoditveni vijak črpalke za olje nepravilno nastavljen.	Prilagodite hitrost dovajanja črpalke za olje.
Veriga se ne ustavi, tudi če je zavora verige sprožena.	Zavorni trak obrabljen.	Takoj prenehajte z uporabo orodja in povprašajte pri vašem lokalnem pooblaščenem servisu.
Orodje neobičajno vibrira.	Ohlapen meč ali veriga žage.	Prilagodite meč in napetost verige žage.
	Napačno delovanje orodja.	Takoj prenehajte z uporabo orodja in povprašajte pri vašem lokalnem pooblaščenem servisu.

014314

DODATNI PRIBOR

POZOR:

- Ta dodatni pribor ali pripomočki so predvideni za uporabo z orodjem Makita, ki je opisano v teh navodilih za uporabo. Pri uporabi drugega pribora ali pripomočkov obstaja nevarnost telesnih poškodb. Dodatni pribor ali pripomočke uporabljajte samo za navedeni namen.

Za več informacij o dodatnem priboru in opremi se obrnite na najbližji pooblaščen Makita servis.

- Veriga žage
- Pokrov meča
- Meč
- Olje za verigo žage

OPOMBA:

- Nekateri predmeti na seznamu so lahko priloženi orodju kot standardni pribor. Lahko se razlikuje od države do države.

SHQIP (Udhëzimet origjinale)

Shpjegim i pamjes së përgjithshme

2-1. Leva	12-1. Gremçi i kordonit	19-1. Mbrojtësja e përparme e duarve
2-2. Kapaku i rrotës udhëzuese	12-2. Kordoni i veglës	19-2. Shkyçja
3-1. Vida rregulluese	12-3. Kordoni zgjatues	19-3. Kyçja
4-1. Disku i rregullimit	12-4. Spina dhe priza (forma mund të ndryshojë sipas vendit)	20-1. Pamja e nivelit të vajit
5-1. Rrota udhëzuese	13-1. Butoni i bllokimit	22-1. Amortizator me maja
6-1. Shufra udhëzuese	13-2. Këmbëza e çelësit	26-1. Zona e prerjes së druve
6-2. Vrima	15-1. Kapaku i tubit të vajit	29-1. Drejtimi i prerjes së drurit
7-1. Grep	15-2. Rrapi	29-2. Zonë rreziku
7-2. Vrima	16-1. Liruesi	29-3. Drejtimi i nxjerrjes
7-3. Kunji	16-2. Shtrënguesi	31-1. Gjatësia e prerjes
9-1. Leva	16-3. Vida rregulluese e zinxhirit	31-2. Distanca ndërmjet tehut prerës dhe matësit të gjatësisë
9-2. Kapaku i rrotës udhëzuese	16-4. Shufra udhëzuese	31-3. Minimumi 3 mm
10-1. Liruesi	16-5. Zinxhiri i sharrës	32-1. Këndi i pllakës anësore
10-2. Shtrënguesi	17-1. Liruesi	37-1. Kanali udhëzues i lubrifikimit
10-3. Vida rregulluese e zinxhirit	17-2. Shtrënguesi	37-2. Vrima e furnizimit me vaj
10-4. Shufra udhëzuese	17-3. Disku i rregullimit	38-1. Rrota udhëzuese
10-5. Zinxhiri i sharrës	17-4. Shufra udhëzuese	39-1. Shenja kufizuese
11-1. Liruesi	17-5. Zinxhiri i sharrës	40-1. Kapaku i mbajtëses së karboncinave
11-2. Shtrënguesi	18-1. Mbrojtësja e përparme e duarve	40-2. Kaçavida
11-3. Disku i rregullimit	18-2. Kyçja	
11-4. Shufra udhëzuese	18-3. Shkyçja	
11-5. Zinxhiri i sharrës		

SPECIFIKIMET

Modeli	UC3050A	UC3051A	UC3550A	UC3550AP	UC3551A	UC4050A	UC4051A	UC4550A	UC4551A	
Shpejtësia maksimale e zinxhirit	14,5 m/s (870 m/min)									
Shufër udhëzuese standarde	Gjatësia e shufrës	300 mm	350 mm			400 mm	450 mm			
	Gjatësia e prerjes	260 mm	320 mm			355 mm	415 mm			
	Lloji i shufrës udhëzuese	Shufra e hundëzës së rrotës së dhëmbëzuar								
Zinxhir sharre standard	Lloji	91PX								
	Këndi i pjerrësisë	3/8"								
	Nr. i lidhjeve të transmisionit	46	52			56	62			
Gjatësia e rekomanduar e shufrës udhëzuese	300 - 450 mm									
Lartësia e përgjithshme (pa shufrën udhëzuese)	505 mm									
Pesha neto	5,4 kg	5,5 kg	5,5 kg	5,6 kg	5,5 kg	5,6 kg	5,7 kg			
Kablllo zgjatuese (opsionale)	DIN 57282/HO 7RN -F L=30 m max., 3x1,5 mm ²									

- Për shkak të programit tonë të vazhdueshëm të kërkim-zhvillimit, specifikimet e përmendura këtu mund të ndryshojnë pa njoftim paraprak.
- Specifikimet mund të ndryshojnë nga njëri shtet në tjetrin.
- Pesha sipas procedurës EPTA 01.2003

END218-7

Simboli

Pjesët në vazhdim tregojnë simbolet e përdorura për pajisjen. Sigurohuni që merrni vesh kuptimin e tyre përpara përdorimit.



- Vegla ka një pajisje me spinë me pozicionin e orës 12 të kontaktit me tokën.



- Mbani mbrojtëse për sytë.
















- Mbani mbrojtëse për veshët.

- IZOLIM I DYFISHTË

- Kujdes: kërkohet kujdes dhe vëmendje e veçantë!

- Kujdes: nëse kabllloja është e dëmtuar, hiqni menjëherë spinën elektrike!

-  · Kujdes: zbrapsje!
 -  · Mbrojeni nga shiu dhe lagështia!
 -  · Mbani helmetë, syze dhe mbrojtëse për veshët!
 -  · Mbani doreza mbrojtëse!
 -  · Tërhiqni spinën elektrike!
 -  · Ndhurma e shpejtë
 -  · Gjatësia maksimale e lejuar e prerjes
 -  · Drejtimi i lëvizjes së zinxhirëve
 -  · Vaji për zinxhirët
 -  · Freni i zinxhirëve i liruar
 -  · Freni i zinxhirëve i shtypur
 -  · E ndaluar!
 -  · Vetëm për vendet e BE-së
- Mos i hidhni pajisjet elektrike së bashku me mbeturinat e shtëpisë!
- Në përputhje me Direktivën Evropiane për mbetjet nga pajisjet elektrike dhe elektronike dhe implementimin e saj në përputhje me legjislacionin kombëtar, pajisjet elektrike që kanë arritur fundin e jetëgjatësisë së tyre duhet të mblidhen veçmas dhe të dorëzohen në një objekt riciklimi që nuk dëmton mjedisin.

ENE085-1

Përdorimi i synuar

Vegla është synuar për prerje në dru dhe trungje.

ENF002-2

Furnizimi me energji

Vegla duhet të lidhet vetëm me një burim energjie me të njëjtin tension të treguar në pllakëzën metalike udhëzuese dhe mund të funksionojë vetëm me rrymë alternative njëfazore. Ata kanë izolim të dyfishtë dhe mund të përdorin priza pa tokëzim.

ENG905-1

Zhurma

Niveli tipik i zhurmës A, i matur sipas EN60745:

Niveli i presionit të zërit (L_{pA}): 90,8 dB (A)

Niveli i fuqisë së zërit (L_{WA}): 101,8 dB (A)

Pasiguria (K): 2,5 dB (A)

Mbani mbrojtëse për veshët**Dridhjet**

Vlera totale e dridhjeve (shuma e vektorit me tre akse) përcaktohet sipas EN60745:

Regjimi i punës: Prerja e drurit
 Emetimi i dridhjeve (a_h): 5,2 m/s²
 Pasiguria (K): 1,5 m/s²

ENG901-1

- Vlera e deklaruar e emetimeve të dridhjeve është matur sipas metodës standarde të testimit dhe mund të përdoret për të krahasuar një vegël me një tjetër.
- Vlera e deklaruar e emetimeve të dridhjeve mund të përdoret për një vlerësim paraprak të ekspozimit.

⚠️ PARALAJMËRIM:

- Emetimet e dridhjeve gjatë përdorimit aktual të veglës elektrike mund të ndryshojnë nga vlerat e deklaruarat të emetimeve në varësi të mënyrave sesi përdoret vegla.
- Sigurohuni që të identifikoni masat e sigurisë për mbrojtjen e përdoruesit, që bazohen në vlerësimin e ekspozimit ndaj kushteve aktuale të përdorimit (duke marrë parasysh të gjitha pjesët e ciklit të funksionimit si ato kur vegla është e fikur dhe punon pa prerë, ashtu edhe kohën e përdorimit).

ENH030-5

Vetëm për shtetet evropiane**Deklarata e konformitetit me KE-në****Makita deklaron që makineria(të) e mëposhtme:**

Emërtimi i makinerisë:

Sharrë me zinxhir

Nr. i modelit/ Lloji: UC3050A, UC3550A, UC4050A, UC4550A, UC3051A, UC3551A, UC3550AP, UC4051A, UC4551A

Specifikimet: shikoni tabelën "SPECIFIKIMET".

Pajtohet me direktivën evropiane të mëposhtme:

2000/14/EC, 2006/42/EC

Ato janë prodhuar konform standardit ose dokumenteve të standardizuara si vijon:

EN60745

Certifikatë ekzaminimi e llojit EC, Nr.5514056,14005

Ekzaminimi i llojit EC sipas 2006/42/EC është kryer nga:

DEKRA Testing and Certification GmbH

Enderstraße 92b

01277 Dresden

Germany

Nr. i identifikimit 2140

Skedari teknik konform direktivës 2006/42/KE disponohet nga:

Makita, Jan-Baptist Vinkstraat 2, 3070, Belgjikë

Procedura për shqyrtimin e konformitetit që kërkohet nga direktiva 2000/14/KE ishte në përputhje me shtojcën V.

Niveli i matur i fuqisë së zërit: 101,9 dB (A)

Niveli i garantuar i fuqisë së zërit: 103 dB (A)



000331

Yasushi Fukaya
Drejtor

Makita, Jan-Baptist Vinkstraat 2, 3070, Belgjikë

GEA010-1

Paralajmërimet e përgjithshme për sigurinë e veglës

⚠ PARALAJMËRIM Lexoni të gjitha paralajmërimet dhe udhëzimet për sigurinë. Mosndjekja e paralajmërimeve dhe udhëzimeve mund të rezultojë në goditje elektrike, zjarr dhe/ose dëmtim serioz.

Ruajini të gjitha paralajmërimet dhe udhëzimet për të ardhmen.

GEB037-8

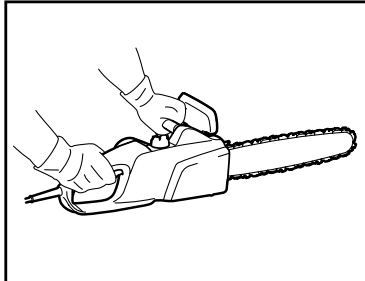
Paralajmërimet për sigurinë e sharrës me zinxhir

- Mbajini të gjitha pjesët e trupit larg zinxhirit të sharrës ndërkohë që sharra me zinxhir është duke punuar. Përpara se të ndizni sharrën me zinxhir, sigurohuni që sharra të mos ketë prekur asgjë.** Një moment hutimi gjatë punës me sharrën me zinxhir mund të shkaktojë ngecjen e rrobave ose trupit në sharrë.
- Gjithmonë mbajeni sharrën me zinxhir me dorën e djathtë në pjesën e pasme dhe me dorën e majtë në dorezën e përparme.** Mbajtja e sharrës me zinxhir në vendosje të anasjellë të duarve rrit rrezikun e lëndimit personal dhe nuk duhet bërë kurrë.
- Mbajeni veglën elektrike vetëm te sipërfaqet kapëse të izoluara sepse sharra me zinxhir mund të prekë tela të fshehura ose kordonin e vet.** Nëse sharrat me zinxhirë prekin një tel me rrymë, atëherë pjesët metalike të veglës elektrike mund të elektrizohen dhe mund të shkaktojnë goditje elektrike te punëtori.
- Mbani syze sigurie dhe mbrojtëse për dëgjimin. Rekomandohen pajisje të tjera mbrojtëse për kokën, duart, këmbët dhe shputat.** Rrobat e përshtatshme mbrojtëse pakësojnë lëndimin personal nga ashklat fluturuese ose nga kontakti aksidental me zinxhirin e sharrës.
- Mos e përdorni sharrën me zinxhir në pemë.** Përdorimi i sharrës me zinxhir ndërkohë që jeni mbi pemë mund të rezultojë në lëndim personal.
- Mbajini këmbët në mënyrën e duhur dhe përdoreni sharrën me zinxhir vetëm kur qëndroni në sipërfaqe të palëvizshme, të**

sigurt dhe të niveluar. Sipërfaqet e rrëshqitshme ose të paqëndrueshme mund të shkaktojnë humbje të ekuilibrit ose humbje të kontrollit të sharrës me zinxhir.

- Bëni kujdes nga zbrapsjet kur prisni degë të tendosura.** Dega e tendosur mund ta godasë punëtorin dhe/ose ta nxjerrë sharrën me zinxhir jashtë kontrollit kur ndodh lëshimi i fibrave të drurit.
- Bëni shumë kujdes kur prisni degë të thata ose pemë të reja.** Materiali i hollë mund të kapë zinxhirin e sharrës dhe t'ju godasë ose t'ju rrezojë.
- Mbajeni sharrën me zinxhir nga doreza e përparme kur sharra të jetë e fikur dhe larg nga trupi.** Vendosni kapakun e shufrës udhëzuese sa herë që transportoni ose magazinoni sharrën me zinxhir. Transportimi i duhur i sharrës me zinxhir pakëson mundësinë e kontaktit aksidental me zinxhirin e sharrës.
- Ndizni udhëzimet për lubrifikimin, tendosjen e zinxhirit dhe aksesoret zëvendësues.** Zinxhiri i tendosur ose i lubrifikuar në mënyrë jo të duhur mund të thyhet ose mund të shtojë mundësinë e forcave zbrapsëse.
- Mbajini dorezat të thata, të pastra dhe të palyera me vaj ose graso.** Dorezat e lyera me graso ose me vaj janë të rrëshqitshme dhe shkaktojnë humbje të kontrollit.
- Prisni vetëm dru. Mos e përdorni sharrën me zinxhir për qëllime jo të synuara.** Për shembull: mos e përdorni sharrën me zinxhir për prerjen e materialeve plastike, materialeve prej tulle ose materialeve të ndërtimit jo prej druri. Përdorimi i sharrës me zinxhir për veprime të ndryshme nga ato për të cilat është synuar mund të rezultojë në situata të rrezikshme.
- Shkaqet dhe parandalimi i forcave zbrapëse nga punëtori:**
Forcat zbrapsëse mund të ndodhin kur pjesa e përparme ose maja e shufrës udhëzuese prekin një objekt ose kur druri afrohet dhe bllokun zinxhirin e sharrës në pikëprerje.
Në disa raste, kontakti me majën mund të shkaktojë një reagim të kundërt të papritur, duke e goditur shufrën udhëzuese lart dhe drejt punëtorit. Bllokimi i zinxhirit të sharrës përgjatë shufrës udhëzuese mund ta kthejë shufrën menjëherë mbrapa drejt punëtorit.
Secili prej këtyre reagimeve mund t'ju shkaktojë humbjen e kontrollit të sharrës, gjë e cila mund të rezultojë në lëndim të rëndë personal. Mos u mbështetni vetëm në pajisjet mbrojtëse të integruara në sharrë. Si përdorues i sharrës me zinxhir, duhet të ndërmerri disa hapa që të shmangni aksidente ose lëndime gjatë prerjeve. Zbrapsja është rezultat i keqpërdorimit dhe/ose procedurave ose kushteve të pasakta të përdorimit të veglës dhe mund të shmanget duke marrë masat e mëposhtme parandaluese:

- **Mbajeni sharrën me zinxhir të shtrënguar, duke i vendosur gishtat rreth dorezave të saj dhe të dyja duart mbi sharrë, dhe poziciononi trupin dhe krahun në mënyrë që të mund t'i rezistoni forcave zbrapsëse.** Nëse merren masat e duhura parandaluese, punëtori mund t'i kontrollojë forcat zbrapsëse. Mos e lëshoni sharrën me zinxhir.



014316

- **Mos e kaloni dhe mos prisni mbi lartësinë e shpatullave.** Kjo ndihmon parandalimin e kontaktit të pasynuar me majën dhe mundëson kontroll më të mirë të sharrës me zinxhir në situata të papritura.
- **Përdorni vetëm fletë dhe zinxhirë zëvendësimi të specifikuar nga prodhuesi.** Fletët dhe zinxhirët jo të duhur mund të shkaktojnë thyerjen e zinxhirit dhe/ose zbrapsje.
- **Ndiqni udhëzimet e prodhuesit mbi mprehjen dhe mirëmbajtjen e zinxhirit të sharrës.** Ulja e nivelit të matësit të thellësisë mund të shkaktojë zbrapsje të tepërt.

RREGULLA TË TJERA SIGURIE

1. Lexoni manualin e përdorimit në mënyrë që të familjarizoheni me përdorimin e sharrës me zinxhir.
2. Kujdesuni që të merrni udhëzime rreth përdorimit përpara se ta përdorni sharrën me zinxhir për herë të parë. Nëse kjo nuk është e mundur, të paktën praktikohuni duke prerë dru të rrumbullakët në një këmbalec përpara se të filloni punën.
3. Sharra me zinxhir nuk duhet të përdoret nga fëmijët ose personat nën 18 vjeç. Personat mbi 16 vjeç mund të përjashtohen nga ky kufizim nëse trajnohen nën mbikëqyrjen e një eksperti.
4. Puna me sharrën me zinxhir kërkon shkallë të lartë vëmendjeje. Mos punoni me sharrë nëse nuk ndjeheni mirë dhe në formë. Bëjeni të gjithë punën qetësisht dhe me kujdes.
5. Asnjëherë mos punoni nën ndikimin e alkoolit, drogave ose mjekimeve.

Përdorimi i duhur

1. Sharra me zinxhir është synuar vetëm për prerjen e drurit. Për shembull, mos e përdorni për të prerë beton plastik ose poroz.
2. Përdoreni sharrën me zinxhir vetëm për veprimet e përkrahura në këtë manual përdorimi. Për

shembull, **mos** e përdorni për të prerë gardhet ose për qëllime të ngjashme.

3. Sharra me zinxhir nuk duhet të përdoret për punë në pyje, siç është prerja e pyjeve dhe e drurëve të paprerë. Kablloja e sharrës me zinxhir nuk i ofron përdoruesit lëvizjen dhe sigurinë e nevojshme për këto punë.
4. Sharra me zinxhir nuk është synuar për përdorim tregtar.
5. Mos e mbingarkoni sharrën me zinxhir.

Pajisje për mbrojtje personale

1. Rrobat duhet të jenë të puthitura pas trupit, por të mos pengojnë lëvizjen.
2. Vishni rrobat e mëposhtme mbrojtëse gjatë punës:
 - Helmetë sigurie të testuar, nëse rreziku paraqitet nga degë që bien ose ndonjë gjë e ngjashme;
 - Maskë për fytyrën ose syze mbrojtëse;
 - Mbrojtëse të përshtatshme për veshët (kufje të mëdha, tapa të zakonshme ose elastike për veshët). Analiza "Octave" e markës sipas kërkesës.
 - Doreza sigurie të qëndrueshme prej lëkure;
 - Pantallona të gjata prej materiali të fortë;
 - Rroba pune mbrojtëse prej materiali rezistues ndaj prerjes;
 - Këpucë ose çizme me shuall jo të rrëshqitshëm, me maja çeliku dhe prej materiali izolimi rezistues ndaj prerjes;
 - Maskë për frymëmarrjen kur kryhen punë që prodhojnë pluhur (p.sh. prerja e drurëve të thatë).

Mbrojtje ndaj goditjeve elektrike



- Sharra me zinxhir nuk duhet të përdoret në mot të lagësht ose në mjedise të lagështa, për shkak se motori elektrik nuk është rezistues ndaj ujit.
1. Futeni sharrën vetëm në prizë në qark elektrik të testuar. Kontrolloni që tensioni i sistemit të përputhet me atë në markën e fabrikës. Sigurohuni që të vendoset një siguresë 16 A. Sharrat e përdorura në ambient të hapur duhet të lidhen me automat jo më të lartë se 30 mA.
- Nëse kablloja lidhëse dëmtohet, hiqeni spinën elektrike menjëherë.

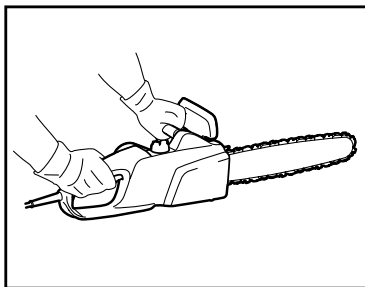


Praktika sigurie në punë

1. Përpara se të filloni punën, kontrolloni që zinxhiri i sharrës punon siç duhet dhe që gjendja e tij është në përputhje me rregullat e sigurisë. Veçanërisht kontrolloni që:
 - Freni i zinxhirit funksionon siç duhet;
 - Freni i ndalimit funksionon siç duhet;
 - Kapaku i fletës dhe i rotës udhëzuese të jetë vendosur siç duhet;
 - Zinxhiri të jetë mprehur dhe tendosur në përputhje me rregulloret;
 - Kablloja e spinës dhe spina elektrike nuk janë të dëmtuara;

Referojuni seksionit "KONTROLLET".

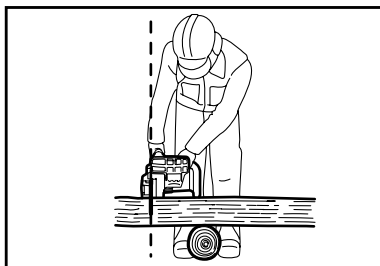
- Gjithmonë sigurohuni në veçanti që kabloja zgjatuese e përdorur të jetë vendosur në profil të përshtatshëm (shikoni "SPECIFIKIMET"). Kur përdorni mbledhësen e kablos, tërhiqeni të gjithë kabllon nga mbledhësja. Kur ta përdorni sharrën në ambient të hapur, sigurohuni që kabloja e përdorur të jetë e synuar për përdorim në ambient të jashtëm dhe është matur në përputhje me të.
- Mbajeni kordonin larg zonës së prerjes dhe pozicionojeni në mënyrë të tillë që gjatë prerjes të mos ngecë në degë dhe në objekte të ngjashme.
- Mos e përdorni sharrën me zinxhir pranë pluhurave ose gazeve të djegshme meqë motori lëshon shkëndija dhe shfaq **rrezik shpërthimi**.
- Punoni vetëm në sipërfaqe të fortë dhe me mbështetje të qëndrueshme të këmbëve. Kushtojini vëmendje të veçantë pengesave (p.sh. kablos) në zonën e punës. Bëni kujdes të veçantë në vendet ku lagështia, akulli, bora, druri i sapoprerë ose lëkurat e drurëve mund t'i bëjnë sipërfaqet të rrëshqitshme. Mos qëndroni mbi shkallë ose mbi pemë kur përdorni sharrën.
- Bëni kujdes të veçantë kur punoni në tokë të pjerrët; trungjet dhe degët që rrokullisen përbëjnë rrezik të mundshëm.
- Asnjëherë mos prisni mbi lartësinë e shpatullave.
- Mbajeni sharrën me zinxhir me të dyja duart kur e ndizni ose e përdorni atë.** Mbajeni dorezën e pasme me dorën e djathtë dhe dorezën e përparme me dorën e majtë. Mbajini dorezat fort me gishtat e mëdhenj të dorës. Fleta dhe zinxhiri nuk duhet të jenë në kontakt me ndonjë objekt kur sharra është e ndezur.



014316

- Pastrojeni zonën e prerjes nga objektet e huaja siç janë rëra, gurët, gozhdët, tela etj. Objektet e huaja dëmtojnë fletën dhe zinxhirin dhe mund të shkaktojnë zbrapsje të rrezikshme.
- Bëni kujdes të veçantë kur prisni afër rrethimeve me tel. Mos prisni në rrethim pasi sharra mund të zbrapset.
- Mos prisni brenda në tokë.
- Prisni copa druri të veçanta, jo në grumbuj ose në stiva.
- Shmangni përdorimin e sharrës për prerjen e degëve të holla dhe rrënjëve, pasi këto mund të ngatërrohen në sharrën me zinxhir. Humbja e ekuilibrit paraqet rrezik.

- Përdorni mbështetje të sigurt (këmbalec) kur prisni dru të sharruar.
- Mos e përdorni sharrën me zinxhir për të ngritur ose për të hequr copa druri dhe objekte të tjera.
- Drejtojeni sharrën me zinxhir në mënyrë të tillë që asnjë pjesë e trupit tuaj të mos jetë brenda drejtim të lëvizjes së zinxhirit të sharrës (shikoni figurën).

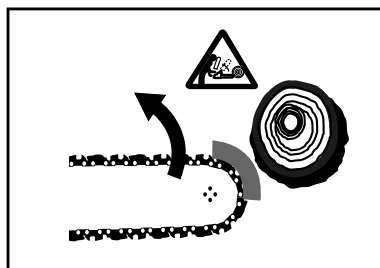


006909

- Kur lëvizni përreth gjatë prerjeve me sharrë, aktivizoni frenin e zinxhirit në mënyrë që të parandaloni përdorimin e paqëllimshëm të zinxhirit. Mbajeni sharrën me zinxhir nga doreza e përparme kur e transportoni atë dhe mos e mbani gishtin te çelësi.
- Hiqni spinën kur bëni pushim ose kur e lini sharrën me zinxhir pa mbikëqyrje. Lëreni sharrën me zinxhir në një vend ku nuk paraqet rrezik.

Zbrapsja

- Gjatë punës me sharrën me zinxhir mund të ketë zbrapsje të rrezikshme. Zbrapsja vjen kur maja e fletës (veçanërisht pjesa e sipërme) bie në kontakt me drurin ose me një objekt tjetër të ngurtë. Kjo bën që sharra me zinxhir të përkulet në drejtimin e punëtorit.



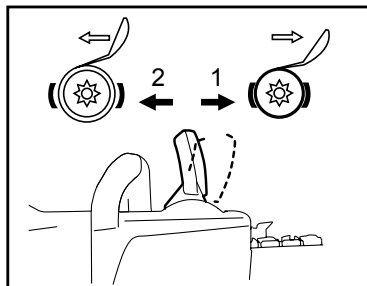
006919

- Në mënyrë që të shmangni zbrapsjen, vëreni si më poshtë:
 - Asnjëherë mos filloni prerjen me majën e fletës.
 - Asnjëherë mos e përdorni majën e fletës për prerje. Bëni kujdes të veçantë kur vazhdoni prerjen e filluar më parë.
 - Fillojeni prerjen kur zinxhiri është duke punuar.
 - Gjithmonë mprihni zinxhirin siç duhet. Në veçanti, vendoseni matësin e thellësisë në gjatësinë e duhur.
 - Asnjëherë mos prisni disa degë njëherësh.
 - Kur prisni degët, bëni kujdes që të parandaloni kontaktin midis fletës dhe degëve të tjera.

- Kur prisni një trung, largojini trungjet e tjerë aty pranë. Gjithmonë kontrolloni majën e fletës.
- Përdorni një këmbalec.

Tiparet e sigurisë

1. Përpara se të filloni punën, gjithmonë kontrolloni që tiparet e sigurisë funksionojnë. Mos e përdorni sharrën me zinxhir nëse tiparet e sigurisë nuk funksionojnë siç duhet.
- **Freni i zinxhirit:**
Sharra është e pajisur me një fren për zinxhirin, i cili e ndalon zinxhirin në fraksionin e një sekonde. Ai aktivizohet kur mbrojtësja e dorës shtyhet përpara. Pastaj zinxhiri i sharrës ndalon brenda 0,15 s dhe furnizimi i motorit me energji ndërpritet.



1. Freni i zinxhirit i shtypur
2. Freni i zinxhirit i lëshuar

014317

- **Freni i ndalimit:**
Sharra me zinxhir është e pajisur me një fren ndalimi, i cili e ndalon zinxhirin e sharrës menjëherë kur lëshohet çelësi i ndezjes/fikjes. Kjo parandalon funksionimin e zinxhirit të sharrës kur ajo është e fikur dhe në këtë mënyrë parandalon rrezikun.
- **Mbrojtëset e përparme dhe të pasme të duarve** e mbrojnë përdoruesin ndaj lëndimit nga copat e drurit, të cilat mund të hidhen prapa, ose nga zinxhiri i thyer i sharrës.
- **Blokuesi i këmbëzës** parandalon ndezjen pa dashje të sharrës me zinxhir.
- **Kapësi i zinxhirit** e mbron përdoruesin nga lëndimi, nëse zinxhiri kërcen ose thyhet.

Transporti dhe ruajtja



- Kur sharra me zinxhir nuk përdoret ose po transportohet, tërhiqni spinën dhe vendosni kapakun e shufrës udhëzuese të dhënë bashkë me sharrën. Asnjëherë mos e mbani ose transportoni sharrën ndërkohë që zinxhiri i sharrës është duke lëvizur.
1. Mbajeni sharrën me zinxhir vetëm nga doreza e sipërme me fletën të drejtuar poshtë.
 2. Mbajeni sharrën me zinxhir në një dhomë të sigurt, të thatë dhe të mbyllur, larg fëmijëve. Mos e ruani sharrën me zinxhir në ambient të jashtëm.

MIRËMBAJTJA

1. Tërhiqeni spinën nga priza elektrike përpara se të kryeni rregullime ose mirëmbajtje.

2. Kontrolloni rregullisht kabllon e energjisë nëse ka dëmtim në izolim.
3. Pastrojeni rregullisht sharrën me zinxhir.
4. Riparoni siç duhet dhe menjëherë dëmtimet në pjesën plastike.
5. Mos e përdorni sharrën nëse çelësi nuk funksionon siç duhet. Riparojeni siç duhet.
6. Në asnjë rrethanë nuk duhen bërë modifikime në sharrën me zinxhir. Rrezikohet siguria juaj.
7. Mos kryeni mirëmbajtjeje ose riparime të tjera përveç atyre të përshkruara në këtë manual udhëzimesh. Çdo veprim tjetër duhet të kryhet nga qendrat e autorizuara të shërbimit.
8. Përdorni vetëm pjesë ndërrimi dhe aksesore origjinale të synuara për modelin e sharrës tuaj. Përdorimi i pjesëve të tjera shton rrezikun e aksidenteve.
9. Ne nuk mbajmë asnjë përgjegjësi për aksidente ose dëmtime nëse përdoren fletë, zinxhirë sharre ose pjesë ndërrimi ose aksesore të pamiratuara.

Ndihma e shpejtë



- Mos punoni vetëm. Gjithmonë punoni brenda distancës së dëgjimit nga një person të dytë.
1. Gjithmonë mbajeni pranë kutinë e ndihmës së shpejtë. Zëvendësoni menjëherë artikujt e marra nga kutia.
 2. Nëse kërkon ndihmë në rast aksidenti, përgjigjuni pyetjeve të mëposhtme:
 - Ku ndodhi aksidenti?
 - Çfarë ndodhi?
 - Sa persona janë lënduar?
 - Çfarë plagësh kanë ata?
 - Kush po e raporton aksidentin?

SHËNIM:

Individët me qarkullim të dobët të gjakut, të cilët i ekspozohen dridhjeve të tepërta, mund të pësojnë dëmtim të enëve të gjakut ose të sistemit nervor. Dridhjet mund të shkaktojnë simptomat e mëposhtme në gishta, duar ose kyçe: "Gjumë" (mpirje), cuksje, dhimbje, ndjesi shpuese, ndryshim të ngjyrës së lëkurës ose të vetë lëkurës.

Nëse ndodh ndonjë nga këto simptoma, vizitohuni te një mjek!

RUAJINI KËTO UDHËZIME.

⚠️ PARALAJMËRIM:

MOS lejoni që njohja ose familjarizimi me produktin (të fituara nga përdorimi i shpeshtë) të zëvendësojnë zbatimin me përpikëri të rregullave të sigurisë për produktin në fjalë. KEQPËRDORIMI ose mosndjekja e rregullave të sigurisë të dhëna në këtë manual përdorimi mund të shkaktojë dëmtime personale serioze.

EMËRTIMI I PJESËVE

(Modeli me dado: kapaku i rrotës së dhëmbëzuar është i shtrënguar me dado.)

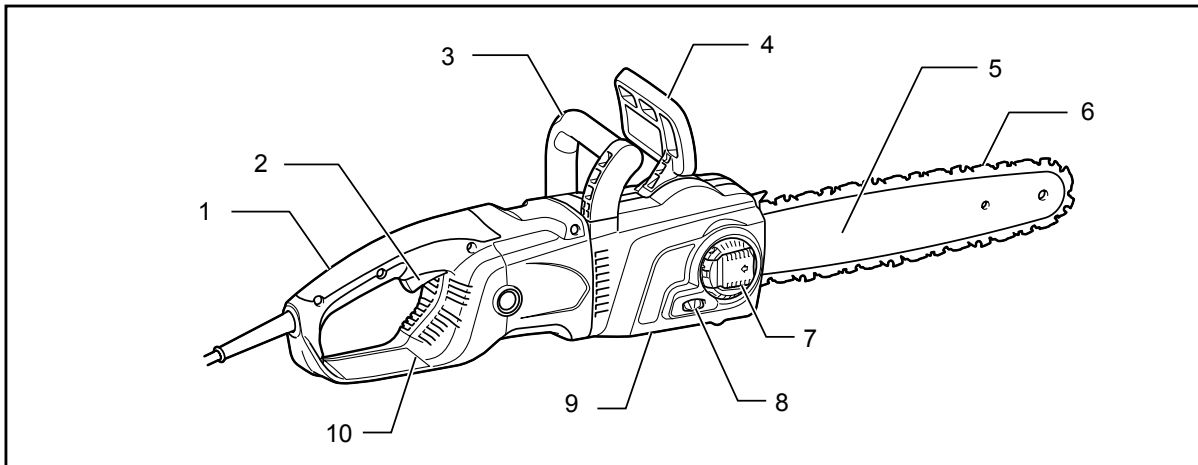
Për model UC3050A, UC3550A, UC3550AP, UC4050A, UC4550A



014372

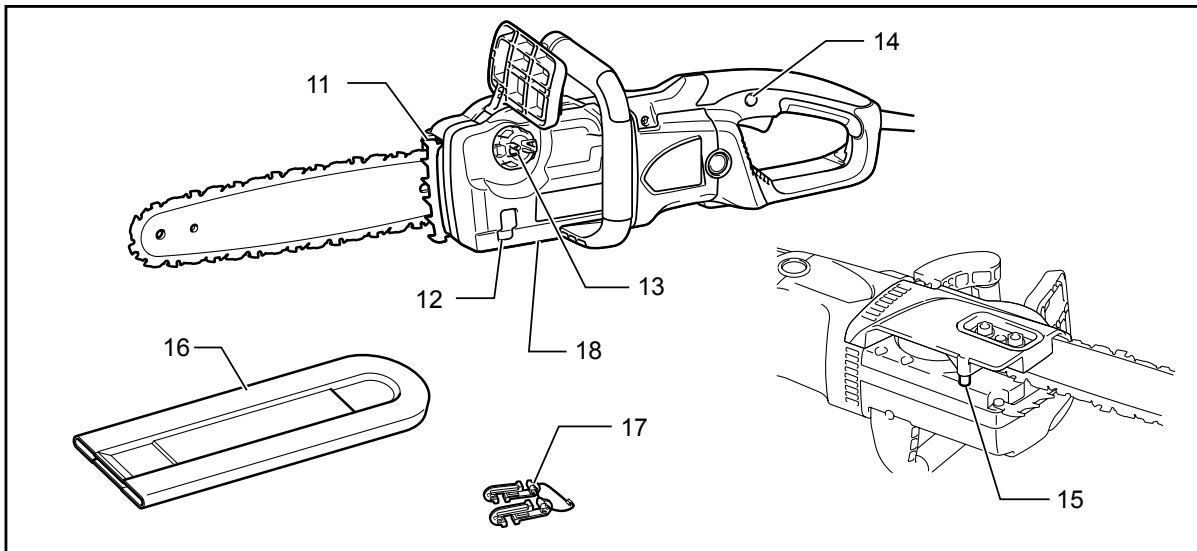
(Modeli me levë: kapaku i rrotës së dhëmbëzuar është i shtrënguar me levë.)

Për model UC3051A, UC3551A, UC4051A, UC4551A



014373

(Për të gjitha modelet)



014514

1	Doreza e pasme	7	Leva	13	Kapaku i tubit të vajit
2	Këmbëza e çelësit	8	Disku/vida rregulluese	14	Butoni i bllokimit
3	Doreza e përparme	9	Kapaku i rrotës udhëzuese	15	Kapësi i zinxhirit
4	Mbrojtësja e përparme e duarve	10	Mbrojtësja e pasme e dorës	16	Kapaku i shufrës udhëzuese
5	Shufra udhëzuese	11	Amortizator me maja	17	Gremçi i kordonit
6	Zinxhiri i sharrës	12	Pamja e nivelit të vajit	18	Vida rregulluese për pompën e vajit (në pjesën e poshtme)

014375

MONTIMI

⚠️KUJDES:

- Jini gjithnjë të sigurt që vegla është fikur dhe hequr nga korrenti përpara se të bëni ndonjë punë mbi të.

Heqja ose instalimi i kapakut të rrotës së dhëmbëzuar

Për të hequr kapakun e rrotës së dhëmbëzuar, kryeni hapat e mëposhtme:

(Për modelet me dado)

Fig.1

Lironi dadon.

(Për modelet me levë)

Fig.2

Shtypni dhe hapni plotësisht levën derisa ajo të ndalojë. Rrotullojeni levën në drejtim kundërorar.

Për të instaluar kapakun e rrotës së dhëmbëzuar, kryeni hapat e mësipërme në të anasjelltë.

Heqja ose instalimi i zinxhirit të sharrës

⚠️KUJDES:

- Mbani gjithmonë doreza kur instaloni ose hiqni zinxhirin e sharrës.

Për të hequr zinxhirin e sharrës, ndiqni hapat e mëposhtëm:

- Lironi kapakun e rrotës së dhëmbëzuar.
- (Për modelet me dado) Rrotullojeni vidën rregulluese të zinxhirit në drejtim kundërorar për të çliruar tendosjen e zinxhirit të sharrës. (Për modelet me levë) Rrotullojeni diskun rregullues në drejtimin "-" për të liruar tensionin e zinxhirit të sharrës.

Fig.3

Fig.4

- Hiqni kapakun e rrotës së dhëmbëzuar.
- Hiqni zinxhirin e sharrës dhe shufrën udhëzuese nga sharra me zinxhirë.

Për të instaluar zinxhirin e sharrës, kryeni hapat e mëposhtëm:

- Siguroni drejtimin e zinxhirit. Shenja e shigjetës mbi zinxhir tregon drejtimin e zinxhirit.

Fig.5

6. Njërën skaj të zinxhirit të sharrës instaloheni në pjesën e sipërme të shufrës udhëzuese dhe skajin tjetër rreth rrotës së dhëmbëzuar.
7. Vendosni shufrën udhëzuese mbi sharrën me zinxhir.
8. Bashkërenditni rregulluesin e tendosjes me vrimën në shufrën udhëzuese.

Fig.6

9. Mbani shufrën udhëzuese dhe rrotullojeni diskun/vidën rregulluese të zinxhirit për të rregulluar tendosjen e zinxhirit të sharrës.
10. Kapakun e rrotës së dhëmbëzuar vendoseni në mënyrë të tillë që grepi të përshtatet me vrimat dhe kunji të futet në pjesët përkatëse në kapakun e rrotës së dhëmbëzuar.

Fig.7

11. Shtrengoni kapakun e rrotës së dhëmbëzuar.

Fig.8

Fig.9

Rregullimi i tendosjes së zinxhirit të sharrës

Zinxhiri i sharrës mund të lirohet pas shumë orësh përdorimi. Herë pas here kontrolloni tendosjen e zinxhirit përpara përdorimit.

1. Lirojeni pak kapakun e rrotës së dhëmbëzuar.
2. Ngrini pak majën e shufrës udhëzuese.
3. Rrotullojeni diskun/vidën rregulluese për të rregulluar tendosjen e zinxhirit të sharrës.

Fig.10

Fig.11

4. Shtrengoni zinxhirin e sharrës derisa ana e poshtme e zinxhirit të sharrës të puthitet në shinën e shufrës udhëzuese (shihni rrethin).
5. Mbajeni lehtë shufrën udhëzuese, shtrengoni kapakun e rrotës së dhëmbëzuar pas rregullimit të tendosjes së zinxhirit. Sigurohuni që zinxhiri i sharrës të mos lirohet në anën e poshtme.

Sigurohuni që zinxhiri i sharrës të puthitet ngushtë me anën e poshtme të shufrës.

⚠️KUJDES:

- Mos e shtrengoni zinxhirin e sharrës më shumë se sa duhet. Një tendosje tepër e madhe e zinxhirit të sharrës mund të shkaktojë prishjen e zinxhirit të sharrës, konsumimin e shufrës udhëzuese dhe prishjen e diskut rregullues.
- Një zinxhir jo i tendosur sa duhet mund të dalë nga shufra dhe të shkaktojë ndonjë rrezik për aksident.
- Procedurën për heqjen ose instalimin e zinxhirit të sharrës kryejeni në një vend të pastër pa tallash dhe gjëra të ngjashme.

Aktivizimi i kordonit zgjatues

⚠️KUJDES:

- Sigurohuni që kordoni zgjatues të jetë hequr nga priza.

Fig.12

Kur vini në punë kordonin zgjatues sigurohuni me kordonin e sharrës me zinxhir me anë të gremçit të kordonit.

Vendoseni gremçin e kordonit rreth 100 - 200 mm larg lidhësit të kordonit zgjatues. Kjo ndihmon në parandalimin e shkëputjes së paqëllimshme.

PËRDORIMI

⚠️KUJDES:

- Mbajeni veglën pa lëvizur me dorën e djathtë të vendosur mbi dorezën e pasme dhe dorën e majtë mbi dorezën e përparme kur punoni me të.

Veprimi i ndërrimit

Fig.13

⚠️KUJDES:

- Jini gjithnjë të sigurt që vegla është fikur dhe hequr nga korrenti përpara se ta rregulloni apo t'i kontrolloni funksionet e këmbëza e çelësit.
- Përpara se ta vendosni veglën në korrent, kontrolloni gjithmonë nëse këmbëza çelësi është në pozicionin e duhur dhe nëse kthehet në pozicionin "FIKUR" kur lëshohet.

Për të shmangur tërheqjen aksidentale të këmbëzës së çelësit, vegla është pajisur me një buton zhbllokimi.

Për ta ndezur veglën lëshoni butonin e zhbllokimit dhe tërhiqni këmbëzën e çelësit. Lëshoni këmbëzën e çelësit për ta fikur.

Vajosja

⚠️KUJDES:

- Sigurohuni gjithmonë që vegla të jetë e fikur dhe e hequr nga priza përpara se të lubrifikoni zinxhirin e sharrës.

Fig.14

Lubrifikoni zinxhirin e sharrës dhe shufrën me një vaj për zinxhirin e sharrës biologjikisht të tretshëm me një agjent ngjitës. Agjenti ngjitës në vajin e zinxhirit të sharrës parandalon derdhjen e shpejtë të vajit nga sharra. Nuk duhet të përdoren vajrat minerale sepse janë të dëmshëm për mjedisin.

⚠️KUJDES:

- Mos lejoni që vaji të prekë lëkurën dhe sytë. Kontakti në sy shkakton iritim. Në rast se prek sytë, shpëlajini mirë sytë menjëherë me ujë të pastër, pastaj paraqituni menjëherë te mjeku.
- Asnjëherë mos përdorni vaj të përdorur. Vaji i përdorur përmban substanca kancerogjene.

Ndotësit në vajin e përdorur përshpejtojnë konsumimin e pompës së vajit, të shufrës dhe të zinxhirit. Vaji i përdorur është i dëmshëm për mjedisin.

- Kur mbushni sharrën me zinxhir me vaj të zinxhirit për herë të parë, ose kur mbushni depozitën pasi është boshatisur krejtësisht, shtoni vaj deri në skajin e fundit të pompës. Përndryshe mbushja e vajit mund të jetë e pasaktë.

Fig.15

Për të mbushur vajin, ndiqni hapat e mëposhtëm:

1. Pastroni mirë zonën rreth kapakut të pompës së vajit për të parandaluar hyrjen e pluhurit në depozitën e vajit.
2. Hapni kapakun e pompës së vajit dhe shtoni vaj deri në skajin e poshtëm të qafës së pompës.
3. Vëreni sërish në vend kapakun e pompës dhe shtrëngojeni fort.
4. Fshini me kujdes vajin e zinxhirit që mund të derdhet.

SHËNIM:

- Kur sharra me zinxhir përdoret për herë të parë, mund të duhen rreth dy minuta që vaji i sharrës me zinxhir të nisë efektin e tij lubrifikues në mekanizmat e sharrës. Vëreni sharrën në punë pa ngarkesë derisa lubrifikimi të nisë (shihni "KONTROLLET").

KONTROLLET

Përpara se të nisni punën kryeni kontrollet e mëposhtme:

Kontrolloni tendosjen e zinxhirit

⚠️ PARALAJMËRIM:

- Hiqni gjithmonë prizën kryesore përpara se të kontrolloni tendosjen e zinxhirit dhe vini doreza sigurie.

(Për modelet me dado)

Fig.16

(Për modelet me levë)

Fig.17

Sigurohuni që zinxhiri i sharrës të uthitet ngushtë me anën e poshtme të shufrës (shihni rrethin).

Kontrolloni tendosjen e zinxhirit herë pas here, sepse zinxhirët e rinj mund të zgjaten.

Një tendosje tepër e madhe e zinxhirit të sharrës mund të shkaktojë prishjen e zinxhirit të sharrës, konsumimin e shufrës udhëzuese dhe prishjen e diskut rregullues.

Një zinxhir jo i tendosur sa duhet mund të dalë nga shufra dhe të shkaktojë ndonjë rrezik për aksident.

Nëse zinxhiri është shumë i lirë: Referojuni seksionit të titulluar "Rregullimi i tendosjes së zinxhirit të sharrës" dhe rregullojeni përsëri tendosjen e zinxhirit të sharrës.

Kontrolli i veprimit të çelësit

⚠️ KUJDES:

Përpara se ta vendosni veglën në korrent, kontrolloni gjithmonë nëse këmbëza çelësi është në pozicionin e duhur dhe nëse kthehet në pozicionin "FIKUR" kur lëshohet.

Për të shmangur tërheqjen aksidentale të këmbëzës së çelësit, vegla është pajisur me një buton zhbllokimi.

Për ta ndezur veglën lëshoni butonin e zhbllokimit dhe tërhiqni këmbëzën e çelësit. Lëshoni këmbëzën e çelësit për ta fikur.

Mos e tërhiqni fort këmbëzën e çelësit pa lëshuar butonin e zhbllokimit. Kjo mund të shkaktojë prishjen e çelësit.

Kontrolli i frenit të zinxhirit

SHËNIM:

- Nëse sharra me zinxhir nuk ndizet, kontrolloni nëse është lëshuar freni i zinxhirit. Për të lëshuar frenin e zinxhirit, tërhiqni fort prapa mbrojtësen e duarve derisa ta ndieni që aktivizohet.

Fig.18

Fig.19

Kontrollojeni frenin e zinxhirit si më poshtë:

1. Mbyjeni sharrën me zinxhir me të dyja duart kur e ndizni atë. Kapni dorezën e pasme me dorën e djathtë, dorezën e përparme me të majtën. Sigurohuni që shufra dhe zinxhiri të mos prekin ndonjë objekt.
2. Në fillim shtypni butonin e zhbllokimit dhe më pas çelësin. Zinxhiri i sharrës do të ndizet menjëherë.
3. Shtypni mbrojtësen e duarve përpara duke përdorur pjesën e sipërme të dorës suaj. Sigurohuni që zinxhiri i sharrës të ndalojë menjëherë.

⚠️ KUJDES:

- Nëse zinxhiri i sharrës nuk ndalon menjëherë, mos e përdorni sharrën në asnjë mënyrë. Konsultohuni me një qendër shërbimi Makita të autorizuar.

Kontrolli i frenave të ngadalësimit

Ndizni sharrën me zinxhir.

Lironi krejtësisht këmbëzën e çelësit. Sigurohuni që zinxhiri i sharrës të ndalojë brenda një sekonde.

⚠️ KUJDES:

- Nëse zinxhiri i sharrës nuk ndalon menjëherë, mos e përdorni sharrën në asnjë mënyrë. Konsultohuni me një qendër shërbimi Makita të autorizuar.

Kontrolli i vajosësit të zinxhirit

Përpara se të nisni punën, kontrolloni nivelin e vajit në pompë dhe shpërndarjen e vajit.

Niveli i vajit mund të shihet në dritaren me xham siç tregohet në figurë.

Fig.20

Kontrolloni shpërndarjen e vajit si më poshtë:

Ndizni sharrën me zinxhir.

Me sharrën ndezur mbajeni zinxhirin e sharrës afërsisht 15 cm mbi një trung peme ose nga toka. Nëse lubrifikimi është bërë siç duhet, rrjedhja e vajit do të lërë një gjurmë të vogël vaji.

Kontrolloni drejtimin e erës dhe mos e ekspozoni veten ndaj rrjedhjes së vajit pa qenë nevoja.

⚠️KUJDES:

- Nëse nuk lihet asnjë gjurmë vaji, mos e përdorni sharrën. Përndryshe do të shkurtohet jetëgjatësia e zinxhirit. Kontrolloni nivelin e vajit. Pastroni kanalën nga ku kalon vaji dhe vrimën nga ku futet vaji në shufër (referojuni seksionit "MIRËMBAJTJA").

Rregullimi i lubrifikimit të zinxhirit

Fig.21

Mund ta rregulloni nivelin e ushqyerjes së pompës së vajit me anë të vidës rregulluese.

PUNA ME SHARRËN ME ZINXHIR

⚠️KUJDES:

- Përdorni gjithmonë dorezën e përparme dhe dorezën e pasme dhe mbajeni fort veglën në dorezën e përparme dhe dorezën e pasme gjatë kohës që është në punë.
- Siguroni gjithmonë lëndën drusore që do të prisni, përndryshe copat e prera mund të shkaktojnë lëndime personale.

Prerja e trupave të pemëve

Fig.22

Për prerjen e trupave të pemëve, vendosni amortizatorin me maja që tregohet në figurë në trupin që do të pritët.

Me zinxhirin e sharrës të ndezur, sharroni trupin duke përdorur dorezën e pasme për të peshuar sharrën dhe atë të përparme për ta drejtuar. Përdorni amortizatorin me maja si aks.

Vazhdoni të prisni duke ushtruar presion të lehtë në dorezën e përparme, duke e tërhequr ngadalë sharrën nga pas. Shtyjeni amortizatorin me maja edhe më tepër në lëndën e drurit dhe ngrini sërish dorezën e përparme. Kur bëni disa prerje, fikenë sharrën me zinxhir pas çdo prerjeje.

⚠️KUJDES:

- Nëse skaji i sipërm i shufrës përdoret për prerje, sharra me zinxhirë mund të mënjanohet në drejtimin tuaj nëse zinxhiri ngec. Për këtë arsye, prisni me skajin e poshtëm, në mënyrë që sharra të mënjanohet larg trupit tuaj.

Fig.23

Prisni trupin të tendosur në anën e trysnisë (A) si fillim. Më pas bëni prerjen përfundimtar në anën e tendosur (B). Kjo nuk lejon që shufra të ngecë.

Fig.24

Heqja e degëve nga trupi

⚠️KUJDES:

- Prerja e degëve nga trupi mund të kryhet vetëm nga persona të trajnuar. Kundërveprimi paraqet një rrezik. Gjatë prerjes së degëve mbështeteni sharrën me zinxhir mbi trung, nëse është e mundur. Mos prisni me majën e shufrës sepse kjo mund të paraqesë rrezik kundërveprimi. Kushtojini kujdes të veçantë degëve të tendosura. Mos prisni nga poshtë degët që janë pa mbështetje. Mos rri mbi trungun e prerë gjatë prerjes së degëve.

Prerjet me gropa dhe prerjet paralele me fijet e drurit

⚠️KUJDES:

- Prerjet me gropa dhe paralele me fijet e drurit mund të kryhen vetëm nga persona me trajnim të veçantë. Mundësia e kundërveprimit krijon rrezikun e lëndimit.

Fig.25

Prerjet paralele me fijet e drurit bëjini në një kënd sa më të cekët që të jetë e mundur. Prerjet bëjini me sa kujdes të mundeni meqë nuk mund të përdoret amortizatori me maja.

Prerja e pemëve

⚠️KUJDES:

- Prerja e pemëve mund të kryhet vetëm nga persona të trajnuar. Puna është me rrezik. Nëse dëshironi të prisni një pemë duhet ta bëni në respektim të rregulloreve lokale.

Fig.26

- Përpara se të nisni prerjen e një pemë, sigurohuni që:
 - (1) Në afërsi të mjedisit të jenë vetëm personat që përfshihen në veprimtarinë e prerjes;
 - (2) Çdo person i përfshirë ka një rrugë tërheqjeje pa pengesa në një shkallë prej afërsisht 45° e secilës anë të boshtit të prerjes. Merrni në konsideratë dhe rrezikun shtesë të rënies së pemëve në kabllot elektrike;
 - (3) Baza e trungut të mos ketë objekte të huaja, rrënjë dhe shtëpi afër;
 - (4) Të mos ketë asnjë person ose objekte në një distancë prej 2 1/2 e gjatësisë së pemës në drejtimin ku do të bjerë pema.
- Në lidhje me çdo pemë merrni në konsideratë aspektet e mëposhtme:
 - Drejtimin nga është e anuar;
 - Degët gati të prera ose të thata;
 - Gjatësinë e pemës;
 - Përkuljen natyrale;
 - Nëse pema është e kalbur ose jo.
- Llogarisni shpejtësinë dhe drejtimin e erës. Mos e prisni pemën nëse era fryn me furi.

- Krasitja e rrënjëve të dukshme: Nisni me rrënjët më të mëdha. Në fillim bëni prerjet vertikale, më pas ato horizontale.

Fig.27

- Bëni një prerje të pjerrët: Kjo prerje e pjerrët përcakton drejtimin në të cilin do të bjerë pema dhe e udhëzon. Ajo bëhet nga ana nga ku do të bjerë pema. Bëjeni këtë prerje të pjerrët sa më afër tokës. Në fillim bëni prerjen horizontale në një thellësi 1/5-1/3 të diametrit të trungut. Mos e bëni prerjen e pjerrët shumë të madhe. Më pas bëni prerjen diagonale.
- Bëni prerjet korrigjuese të kësaj prerjeje të pjerrët në gjithë gjerësinë e saj.

Fig.28

- Prerjen e pasme bëjeni pak më lart se prerja bazë e prerjes së pjerrët. Prerja e pasme duhet të jetë krejtësisht horizontale. Lini afërsisht 1/10 e diametrit të trungut ndërmjet prerjes së pasme dhe prerjes së pjerrët. Fibrat e drurit në pjesën e paprerë të trungut shërbejnë si menteshë. Në asnjë rrethanë mos i prisni të gjitha fibrat, sepse pema mund të bjerë në mënyrë të pakontrolluar. Fusni pyka në prerjen e pasme.
- Për të mbajtur prerjen e pasme të hapur mund të përdoren vetëm pyka plastike ose alumini. Përdorimi i pykave prej hekuri është i ndaluar.
- Qëndrimi në anë të pemës që bie. Mbani një zonë të pastër pas pemës që shembet deri në një kënd prej 45 ° nga secila anë e boshtit të pemës (referojuni figurës për "zonën e prerjes"). Bëni kujdes nga rënia e degëve.
- Duhet të planifikohet dhe pastrohet një rrugë largimi sipas nevojës para se të nisni prerjet. Rruga e largimit duhet të kalojë nga pas dhe diagonalisht me pjesën e pasme të linjës ku pema pritët që të bjerë, siç ilustron në figurë.

Fig.29

MIRËMBAJTJA

⚠️KUJDES:

- Sigurohuni gjithnjë që vegla të jetë fikur dhe të jetë hequr nga korrenti përpara se të kryeni inspektimin apo mirëmbajtjen.
- Vini gjithmonë doreza kur kryeni një inspektim ose mirëmbajtje.
- Mos përdorni kurrë benzinë, benzinë pastrimi, hollues, alkool dhe të ngjashme. Mund të shkaktoni çngjyrosje, deformime ose krisje.

Punët e mirëmbajtjes që përkruhen më poshtë kryejini në intervale të rregullta. Pretendimet për garanci do të pranohen vetëm nëse këto veprime janë kryer rregullisht dhe siç duhet. Përdoruesi mund të kryejë vetëm punët e mirëmbajtjes të përkruara në këtë manual përdorimi. Çdo veprim tjetër duhet të kryhet nga qendrat e autorizuara të shërbimit MAKITA.

Pastrimi i sharrës me zinxhir.

Sharrën pastrojeni rregullisht me një copë të pastër. Dorezat në veçanti, nuk duhet të jenë kurrë me vaj.

Kontrolli i folesë plastike

Kryeni inspektime vizuale të rregullta të të gjitha pjesëve të folesë. Nëse ndonjë nga pjesët është dëmtuar, riparojeni menjëherë dhe siç duhet në qendrat e shërbimit të autorizuara MAKITA.

Mprehja e sharrës me zinxhir

⚠️KUJDES:

- Hiqeni gjithmonë prizën dhe vishni doreza sigurie kur kryeni punime në zinxhirin e sharrës.

Fig.30

Mprehni sharrën me zinxhir kur:

- Prodohet tallash i grimcuar kur pritët dru i lagësht;
- Zinxhiri e depërton drurin me vështirësi, edhe kur ushtrohet presion i lartë;
- Teju prerës duket që është dëmtuar;
- Kur sharra tërheq majtas ose djathtas në dru. Arsyeja për këtë sjellje është mprehja jo e barabartë e zinxhirit të sharrës ose dëmtimi i tij vetëm në një anë.

Mprehni vazhdimisht zinxhirin e sharrës, por pas çdo mprehjeje hiqni vetëm nga pak material.

Dy ose tre kalime me limë zakonisht mjaftojnë për mprehje rutinë. Kur zinxhiri i sharrës është mprehur disa herë, dërgojeni për ta mprehur te një qendër e autorizuar shërbimi MAKITA.

Kriteret e mprehjes:

- Të gjitha gjatësitë e prerësit duhet të jenë të barabarta. Prerësit me gjatësi të ndryshme nuk lejojnë që zinxhiri të punojë pa probleme dhe mund të shkaktojnë prishjen e tij.
- Mos e mprehni zinxhirin kur është arritur gjatësia minimale prej 3 mm për një prerës. Në këtë rast duhet të vihet një zinxhir i ri.
- Trashësia e ashklës përcaktohet nga distanca ndërmjet matësit të thellësisë (hundëzës së rrumbullakët) dhe tehut prerës.
- Rezultatet më të mira të prerjes arrihen në distancat e mëposhtme ndërmjet tehut prerës dhe matësit të thellësisë.

Tehu i zinxhirit 91PX: 0,65 mm

Fig.31

⚠️PARALAJMËRIM:

- Një distancë e tepërt rrit rrezikun për kundërveprim.
- Këndi i mprehjes prej 30° duhet të jetë i njëjtë për të gjithë prerësit. Ndryshimet në kënd bëjnë që zinxhiri të ketë probleme gjatë punës, përshpejtojnë konsumimin e tij dhe çojnë në prishje të zinxhirit.
- Këndi i pllakës anësore të prerësit përcaktohet nga thellësia e depërtimit të limës së rrumbullakët. Nëse lima e specifikuar përdoret siç duhet, këndi i saktë i pllakës anësore prodhohet automatikisht.

- Këndi i pllakës anësore për secilin zinxhir të sharrës është si më poshtë:
Tehu i zinxhirit 91PX: 80°

Fig.32

Lima dhe udhëzuesi i limës

- Përdorni një limë të rrumbullakët të posaçme (aksesor opsional) për zinxhirët e sharrave për të mprehur zinxhirin. Limat e rrumbullakëta normale nuk janë të përshtatshme.
- Diametri i limës së rrumbullakët për secilin zinxhir sharre është si më poshtë:
Tehu i zinxhirit 91PX: 4,0 mm
- Lima duhet të punojë me prerësin vetëm me prekjen ballore. Hiqni limën nga prerësi gjatë prekjes në kthim.
- Në fillim mprihni prerësin më të shkurtër. Më pas gjatësia e këtij prerësi bëhet gjatësia standarde për të gjithë prerësit e tjerë të zinxhirit të sharrës.

Fig.33

- Udhëzoni limën siç tregohet në figurë.
- Lima mund të drejtohet më lehtë nëse përdoret një mbajtës i limës (aksesor opsional). Mbajtësi i limës ka disa shënime për këndin e saktë të mprehjes prej 30° (bashkërenditni shënimet paralele me zinxhirin e sharrës) dhe kufizon thellësinë e depërtimit (deri në 4/5 e diametrit të limës).

Fig.34

- Pasi të keni mprehur zinxhirin, kontrolloni lartësinë e matësit të thellësisë me anë të një vegle për matjen e zinxhirit (aksesor opsional).

Fig.35

- Hiqni çdo material projektues, sado i vogël qoftë, me një limë të veçantë të sheshtë (aksesor opsional).
- Rrumbullakosni sërish pjesën e përparme të matësit të thellësisë.

Pastrimi i shufrës udhëzuese dhe lubrifikimi i rrotës së dhëmbëzuar të kthimit

⚠️KUJDES:

- Vishni gjithmonë doreza sigurie për këtë detyrë. Ciflat metalike paraqesin rrezik lëndimi.

Fig.36

Kontrolloni rregullisht për dëmtime sipërfaqet ku kalon shufra. Pastrojeni me anë të një vegle të përshtatshme dhe hiqni ciflat metalike nëse është nevoja.

Nëse sharra me zinxhirë përdoret shpesh, lubrifikoni boshtin e rrotës së dhëmbëzuar të kthimit të paktën një herë në javë. Përpara se të shtoni graso të freskët, pastroni me kujdes vrimën 2 mm në majën e shufrës udhëzuese, më pas fusni me forcë një sasi grasoje shumëpërdorimshe (aksesor opsional) në vrimë.

Pastrimi i udhëzuesit të vajit

Fig.37

- Pastroni kanalën nga ku kalon vaji dhe vrimën nga ku futet vaji në shufër në intervale të rregullta.

Zinxhirë të rinj sharre

Përdorni me ndërrim dy ose tre zinxhirë sharre, në mënyrë që zinxhiri i sharrës, rrota e dhëmbëzuar dhe sipërfaqja ku vendoset shufra të konsumohen në mënyrë të barabartë.

Ktheni shufrën në krahun tjetër kur ndërroni zinxhirin në mënyrë që kanali i shufrës të konsumohet në mënyrë të barabartë.

⚠️KUJDES:

- Përdorni vetëm zinxhirë dhe shufra që janë miratuar për këtë model sharre (referojuni seksionit "SPECIFIKIMET").

Fig.38

Përpara se të vendosni një zinxhir të ri sharre, kontrolloni gjendjen e rrotës së dhëmbëzuar.

⚠️KUJDES:

- Rrota e dhëmbëzuar e konsumuar e dëmton zinxhirin e ri të sharrës. Në këtë rast ndërroni rrotën e dhëmbëzuar.

Gjithmonë vendosni një unazë të re bllokimi kur zëvendësoni rrotën e dhëmbëzuar.

Mirëmbajtja e zinxhirit dhe frenave të ndalimit

Sistemet e frenimit janë tipare shumë të rëndësishme të sigurisë. Si çdo përbërës tjetër i sharrës me zinxhir, ato i nënshtrohet një shkalle të caktuar konsumimi. Ato duhet të kontrollohen rregullisht në një qendër shërbimi të autorizuar MAKITA. Kjo masë merret për sigurinë tuaj.

Zëvendësimi i karbonçinave

Fig.39

Hiqni dhe kontrollojini rregullisht karbonçinat. Zëvendësojini kur të konsumohen deri në shenjën kufi. Mbajini karbonçinat të pastra dhe që të hyjnë lirisht në mbajtëset e tyre. Të dyja karbonçinat duhen zëvendësuar në të njëjtën kohë. Përdorni vetëm karbonçina identike.

Fig.40

Përdorni kaçavidë për të hequr kapakët e mbajtëseve të karbonçinave. Hiqni karbonçinat e konsumuara, futni të rejtat dhe siguroni kapakët e mbajtëseve të tyre.

Pasi të zëvendësoni karbonçinat, fusni në prizë veglën dhe bëni provën e tyre duke e ndezur veglën pa ngarkesë për rreth 10 minuta.

Ruajtja e veglës

Vaji biologjikisht i tretshëm i zinxhirit të sharrës mund të mbahet vetëm për një periudhë të kufizuar. Dy vite pas prodhimit, vajrat biologjikë përftojnë një cilësi ngjitjeje dhe dëmtojnë pompën e vajit dhe përbërësve të sistemit të lubrifikimit.

- Para se sharra me zinxhirë të dalë jashtë shërbimit për një periudhë më të gjatë, zbrazeni depozitën e vajit dhe mbusheni me një sasi të vogël vaji motori (SAE 30).
- Vëreni sharrën me zinxhir në punë për pak kohë për të nxjerrë jashtë depozitës, sistemit të lubrifikimit dhe mekanizmit të sharrës të gjithë vajin e mbetur biologjik.

SHËNIM:

- Kur sharra me zinxhir nuk është në punë, sasi të vogla vaji zinxhiri do të kullojnë prej saj edhe disa kohë më pas. Kjo është normale dhe nuk tregon defekt.

Ruajeni sharrën me zinxhir në një sipërfaqe të përshtatshme.

Përpara se ta vini sërish në punë sharrën, mbusheni me vaj të freskët BIOTOP për zinxhirin e sharrës.

Për të ruajtur SIGURINË dhe QËNDRUESHMËRINË, riparimet dhe çdo mirëmbajtje apo rregullim tjetër duhen kryer nga qendrat e autorizuara të shërbimit të Makita-s, duke përdorur gjithnjë pjesë këmbimi të Makita-s.

NDREQJA E DEFEKTEVE

Përpara se të kërkonti riparime bëni inspektimet tuaja. Nëse zbuloni ndonjë problem që nuk shpjegohet në manual, mos u mundoni të çmontoni veglën. Por, këtë gjë kërkojani qendrës së autorizuar të shërbimit Makita.

Statuasi i keqfunksionimit	Shkaku i mundshëm	Zgjidhja
Sharra me zinxhir nuk ndizet.	Nuk ka furnizim me energji.	Lidheni me burimin e energjisë elektrike. Kontrolloni furnizimin me energji elektrike.
	Kabloja me defekt.	Fikeni veglën menjëherë dhe pyesni në qendrën tuaj lokale të autorizuar.
	Keqfunksionim i veglës.	Fikeni veglën menjëherë dhe pyesni në qendrën tuaj lokale të autorizuar.
Zinxhiri nuk funksionon.	Freni i zinxhirit është i aktivizuar.	Lironi frenin e zinxhirit.
Fuqi e pamjaftueshme.	Karbonçina e konsumuar.	Pyesni qendrën lokale të miratuar të shërbimit për riparime.
Nuk ka vaj në zinxhirin e sharrës.	Depozita e vajit është bosh.	Mbushni depozitën e vajit.
	Kanali i udhëzimit të vajit është pis.	Pastroni kanalin.
	Vida rregulluese e pompës së vajit nuk është rregulluar siç duhet.	Rregulloni nivelin e ushqyerjes së pompës së vajit.
Zinxhiri nuk ndalon edhe kur aktivizohet freni i zinxhirit.	Grupi i frenit i konsumuar.	Fikeni veglën menjëherë dhe pyesni në qendrën tuaj lokale të autorizuar.
Vegla dridhet në mënyrë anormale.	Lironi shufrën udhëzuese ose zinxhirin e sharrës.	Rregulloni tendosjen e shufrës udhëzuese dhe zinxhirit të sharrës.
	Keqfunksionim i veglës.	Fikeni veglën menjëherë dhe pyesni në qendrën tuaj lokale të autorizuar.

014314

AKSESORË OPSIONALË

⚠️KUJDES:

- Këta aksesore ose shtojca rekomandohen për përdorim me veglën Makita të përcaktuar në këtë manual. Përdorimi i aksesoreve apo shtojcave të tjera ndryshe nga këto mund të përbëjë rrezik lëndimi. Aksesoret ose shtojcat përdorini vetëm për qëllimin e tyre të përcaktuar.

Nëse keni nevojë për më shumë të dhëna në lidhje me aksesoret, pyesni qendrën vendore të shërbimit të Makita-s.

- Zinxhiri i sharrës
- Kapaku i shufrës udhëzuese
- Shufra udhëzuese
- Vaji i zinxhirit të sharrës

SHËNIM:

- Disa artikuj të listës mund të përfshihen në paketën e veglës si aksesore standardë. Ato mund të ndryshojnë nga njëri shtet në tjetrin.

БЪЛГАРСКИ (Оригинална инструкция)

Разяснение на общия изглед

2-1. Лост	12-1. Кука за кабел	18-3. Деблокиране
2-2. Капак на зъбното колело	12-2. Кабел на инструмента	19-1. Преден предпазител за ръцете
3-1. Регулиращ винт	12-3. Удължителен кабел	19-2. Деблокиране
4-1. Скала за регулиране	12-4. Щепсел и контакт (в различните страни формата може да се различава)	19-3. Блокиране
5-1. Зъбно колело	13-1. Блокиращ бутон	20-1. Контрол на нивото на маслото
6-1. Водеща шина	13-2. Пусков прекъсвач	22-1. Опора с шипове
6-2. Отвор	15-1. Капачка на отвора за масло	26-1. Зона на сечене
7-1. Кука	15-2. Ремък	29-1. Посока на сечене
7-2. Отвор	16-1. Разхлабване	29-2. Опасна зона
7-3. Щифт	16-2. Затягане	29-3. Път за евакуация
9-1. Лост	16-3. Винт за настройка на веригата	31-1. Дължина на рязане
9-2. Капак на зъбното колело	16-4. Водеща шина	31-2. Разстояние между режещия ръб и ограничителя на дълбочина
10-1. Разхлабване	16-5. Верига на трион	31-3. Минимум 3 мм
10-2. Затягане	17-1. Разхлабване	32-1. Ъгъл на страничната плоскост
10-3. Винт за настройка на веригата	17-2. Затягане	37-1. Канал за отвеждане на масло
10-4. Водеща шина	17-3. Скала за регулиране	37-2. Отвор за наливане на масло
10-5. Верига на трион	17-4. Водеща шина	38-1. Зъбно колело
11-1. Разхлабване	17-5. Верига на трион	39-1. Ограничителен белег
11-2. Затягане	18-1. Преден предпазител за ръцете	40-1. Капачка на четкодържач
11-3. Скала за регулиране	18-2. Блокиране	40-2. Отвертка
11-4. Водеща шина		
11-5. Верига на трион		

СПЕЦИФИКАЦИИ

Модел		UC3050A	UC3051A	UC3550A	UC3550AP	UC3551A	UC4050A	UC4051A	UC4550A	UC4551A
Максимална скорост на веригата		14.5 м/с (870 м/мин)								
Стандартна водеща шина	Дължина на шината	300 мм		350 мм			400 мм		450 мм	
	Дължина на рязане	260 мм		320 мм			355 мм		415 мм	
	Тип водеща шина	Шина на челото на верижното колело								
Стандартен верижен трион	Тип	91PX								
	Стъпка	3/8"								
	Брой задвижващи звена	46		52			56		62	
Препоръчителна дължина на водещата шина		300 - 450 мм								
Габаритна дължина (без водач)		505 мм								
Нето тегло		5.4 кг	5.5 кг	5.5 кг	5.6 кг	5.5 кг	5.6 кг		5.7 кг	
Удължител (опция)		DIN 57282/HO 7RN -F L=30 м макс., 3x1.5 мм ²								

- Поради нашата непрекъсната научно-развойна дейност посочените тук спецификации могат да бъдат променени без предизвестие.
- Спецификациите може да са различни в различните държави.
- Тегло съгласно метода EPTA 01/2003

END218-7

Символ

По-долу са описани символите, използвани за тази машина. Задължително се запознайте с техните значения, преди да пристъпите към работа.



Прочетете ръководството за експлоатация и спазвайте предупрежденията и инструкциите за безопасност.



- Носете предпазни средства за очите.
- Използвайте предпазни средства за слуха.
- ДВОЙНА ИЗОЛАЦИЯ
- Внимание: необходимо е особено внимание!



· Внимание: незабавно изключете щепсела от контакта, ако кабелът е повреден!



· Внимание: обратен удар!



· Пазете от дъжд и влага!



· Носете каска, очила и предпазни средства за слуха!



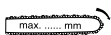
· Носете предпазни ръкавици!



· Изключете щепсела от контакта!



· Първа помощ



· Максимално допустима дължина на рязане



· Посока на движение на веригата



· Масло за смазване на веригата



· Спирачката на веригата е освободена



· Спирачката на веригата е задействана



· Забранено!



· Само за страни от ЕС
Не изхвърляйте електрооборудване с битовите отпадъци!

При спазване на Европейската директива относно отпадъците от електрическо и електронно оборудване и приложението ѝ съгласно националното законодателство, бракуваното електрическо оборудване трябва да се събира разделно и да се връща в места за рециклиране, съобразени с изискванията за опазване на околната среда.

ENE085-1

Предназначение

Инструментът е предназначен за рязане на дървен материал.

ENF002-2

Захранване

Инструментът следва да се включва само към захранване със същото напрежение, като посоченото на фирмената табелка и работи само с монофазно променливо напрежение. Той е с двойна изолация и затова може да се включва и в контакти без заземяване.

ENG905-1

Шум

Обичайното средно претеглено ниво на шума, определено съгласно EN60745:

Ниво на звуково налягане (L_{pA}): 90.8 dB (A)

Ниво на звукова мощност (L_{WA}): 101.8 dB (A)

Коефициент на неопределеност (K): 2.5 dB (A)

Използвайте антифони

ENG900-1

Вибрации

Общата стойност на вибрациите (сума от три осови вектора), определена съгласно EN60745:

Работен режим: рязане на дърво

Ниво на вибрациите (a_h): 5.2 m/s^2

Коефициент на неопределеност (K): 1.5 m/s^2

ENG901-1

- Обявеното ниво на вибрациите е измерено в съответствие със стандартни методи за изпитване и може да се използва за сравняване на инструменти.
- Освен това, обявеното ниво на вибрациите може да се използва за предварителна оценка на вредното въздействие.

⚠ ПРЕДУПРЕЖДЕНИЕ:

- Нивото на вибрациите при работа с електрическия инструмент може да се различава от обявената стойност в зависимост от начина на използване на инструмента.
- Задължително определете предпазни мерки за защита на оператора въз основа на оценка на риска в реални работни условия (като се вземат предвид всички съставни части на работния цикъл, като например момента на изключване на инструмента, работата на празен ход, както и времето на задействие).

ENH030-5

Само за страните от ЕС

ЕО Декларация за съответствие

Makita декларира, че следната/ите машина/и:

Наименование на машината:

Вериген трион

Модел №/Тип: UC3050A, UC3550A, UC4050A, UC4550A, UC3051A, UC3551A, UC3550AP, UC4051A, UC4551A

Спецификации: виж таблицата „СПЕЦИФИКАЦИИ“.

Съответстват на изискванията на следните европейски директиви:

2000/14/ЕО, 2006/42/ЕО

Произведение са в съответствие със следния стандарт или стандартизирани документи:

EN60745

Сертификатът за типово изпитване по ЕС №5514056,14005

Типовото изпитване по ЕС съгласно 2006/42/ЕО е извършено от:

DEKRA Testing and Certification GmbH
Enderstraße 92b
01277 Dresden
Германия
Идентификационен № 2140

Съгласно 2006/42/ЕС, файлът с техническа информация е достъпен от:

Makita, Jan-Baptist Vinkstraat 2, 3070, Белгия

Процедурата за оценка на съответствието, изисквана от Директива 2000/14/ЕС, е в съответствие с Анекс V.

Измерено ниво на звукова мощност: 101.9 dB (A)

Гарантирано ниво на звукова мощност: 103 dB (A)

4.9.2014



000331

Ясуши Фукайа
Директор

Makita, Jan-Baptist Vinkstraat 2, 3070, Белгия

GEA010-1

Общи предупреждения за безопасност при работа с електрически инструменти

⚠ ПРЕДУПРЕЖДЕНИЕ Прочетете всички предупреждения за безопасност и всички инструкции. При неспазване на предупрежденията и инструкциите има опасност от токов удар, пожар и/или тежко нараняване.

Запазете всички предупреждения и инструкции за справка в бъдеще.

ГЕВ037-8

Предупреждения за безопасна работа с верижен трион

1. Пазете всички части на тялото си далеч от верижния трион по време на работа. Преди да стартирате верижния трион се уверете, че веригата не се допира до нищо. Секунда невнимание по време на работа с верижен трион може да доведе до заплитане на дрехи или части от тялото във веригата на триона.
2. Винаги дръжте верижния трион с дясната ръка за задната ръкохватка и лявата – на предната ръкохватка. Никога не дръжте триона с разменени места на ръцете, защото така се увеличава опасността от телесна повреда.
3. Дръжте електрическия инструмент само за изолираните и нехлъзгави повърхности, когато има опасност веригата на триона да закачи скрити кабели или собствения си

захранващ кабел. Ако веригата закачи проводник под напрежение, токът може да премине през металните части на инструмента и да „удари“ оператора.

4. Носете защитни очила и предпазни средства за слуха. Препоръчва се също ползване на предпазни средства за главата, ръцете, краката и стъпалата. Подходящото работно облекло би намалило тежестта на телесните повреди от летящи отпадъци или случаен допир до веригата на триона.
5. Не работете с верижния трион качени на дърво. Работата с верижен трион, когато сте качени на дървото, може да доведе до телесна повреда.
6. Винаги стъпвайте здраво и работете с верижния трион, само когато стоите на неподвижна, надеждна и равна повърхност. Хлъзгавите или нестабилни повърхности, като например стълби, могат да причинят загуба на равновесие или на контрол върху верижния трион.
7. Когато режете клон, който е напрегнат, внимавайте за отскачането му. Когато напрежението на влакната на дървесината се отпусне, клонът може да отскочи като пружина и да удари оператора и/или да изхвърли верижния трион извън контрол.
8. Бъдете изключително внимателни, когато режете храсти и фиданки. Веригата може да заклеши тънкия материал и да го изхвърли към вас или да ви извади от равновесие.
9. Когато носите триона, го дръжте за предната ръкохватка, с изключен прекъсвач и отдалечен от тялото. При транспортиране и съхранение на верижен трион, задължително слагайте капака на шината. Правилното боравене с верижния трион намалява вероятността за случаен допир с движещата се верига на триона.
10. Следвайте инструкциите за смазване, обтягане на веригата и смяна на принадлежностите. Неправилно обтегнатата или смазана верига може да се скъса или да увеличи опасността от обратен удар.
11. Поддържайте ръкохватките сухи, чисти и без масло или грес. Ръкохватки, по които има грес или масло, са хлъзгави и може да загубите контрол.
12. Режете само дърво. Не ползвайте верижния трион за нещо, за което не е предназначен. Например, не ползвайте верижния трион за рязане на пластмаса, тухли или други строителни материали, различни от дърво. Ползването на верижния трион не по предназначение може да доведе до опасна ситуация.

13. Причини и начини за предотвратяване на обратен удар от оператора:

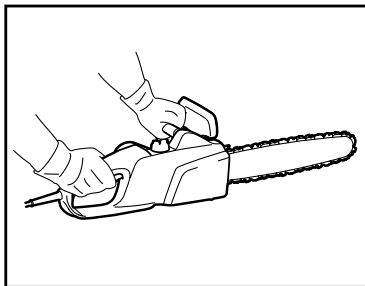
Обратен удар може да се случи, когато върхът или ръбът на шината докосне предмет, или когато дървото се затвори и заклеци веригата в среза.

В някои случаи допирът на ръба може да предизвика внезапна обратна реакция като отблъсне шината нагоре и назад към оператора. Заклещването на веригата по горния ръб на шината може да избута шината бързо назад към оператора.

И в двата случая може да загубите контрол над триона, а това може да доведе до тежка телесна повреда. Не разчитайте единствено на защитните устройства, вградени в триона. Като потребител на верижен трион, вие трябва да предприемете някои мерки, за да режете без злополуки и наранявания.

Обратният удар е следствие от неправилна употреба на инструмента и/или неспазване на реда и условията за работа, а може да бъде избегнат при спазване на посочените по-долу предпазни мерки:

- **Дръжте здраво като обвийте с пръсти ръкохватките на верижния трион, с двете ръце и в положение на тялото и ръцете, което позволява да устоите на обратен удар.** Силите на обратния удар могат да бъдат контролирани от оператора, ако са взети необходимите предпазни мерки. Не изпускайте верижния трион.



014316

- **Не се протягайте и не режете над височината на рамото.** Така ще предотвратите неволен допир на ръба и ще контролирате по-добре триона в неочаквани обстоятелства.
- **Използвайте само резервни шини и вериги, посочени от производителя.** Замяната на шината и веригата с неподходящи такива може да доведе до скъсване на веригата и/или обратен удар.
- **Следвайте инструкциите на производителя за заточване и поддръжка на веригата на триона.** Намаляването на височината на ограничителя за дълбочина може да доведе до увеличен риск от обратен удар.

ДОПЪЛНИТЕЛНИ ПРАВИЛА ЗА БЕЗОПАСНОСТ

1. Прочетете ръководството за експлоатация, за да се запознаете с начина за работа с верижния трион.
2. Преди първото ползване на верижния трион трябва да получите инструктаж относно работата с него. Ако това не е възможно, поне се упражнете в рязане на дърва върху магаре, преди да започнете работа.
3. С верижния трион не трябва да работят деца и млади хора под 18 години. Младежи над 16-годишна възраст може да бъдат освободени от това ограничение, ако преминат обучение под надзора на специалист.
4. При работа с верижния трион се изисква силна концентрация. Не работете с триона, ако не се чувствате добре и във форма. Работете спокойно и внимателно.
5. Никога не работете, ако сте под влиянието на алкохол, наркотици или лекарства.

Правилна употреба

1. Вержият трион е предназначен единствено за рязане на дървен материал. Не го използвайте за рязане, например, на пластмаса или газобетон.
2. Ползвайте верижния трион само за работи, описани в настоящото ръководство за експлоатация. Например **не** го ползвайте за подрязване на храсти или други подобни.
3. Вержият трион не трябва да се ползва за горска работа, т.е. за отрязване и кастрене на дървета. Кабелът на верижния трион не позволява на оператора необходимата подвижност и безопасност за такава работа.
4. Вержият трион не е предназначен за промишлена употреба.
5. Не претоварвайте верижния трион.

Лични предпазни средства

1. Облеклото трябва да е плътно до тялото, но без да ограничава движенията.
2. По време на работа носете следното предпазно облекло:
 - Одобрена каска, ако има опасност от падащи клони и др. подобни;
 - Маска за лицето или очила;
 - Подходящи предпазни средства за слуха (антифони или тапи за уши). При поискване, можем да предоставим анализ на шума.
 - Предпазни ръкавици от твърда кожа;
 - Дълги панталони от здрав плат;
 - Работен комбинезон от устойчив на срязване плат;
 - Защитни обувки или боти с нехлъзгави подметки, стоманена платка на пръстите и хастар от устойчив на срязване материал;
 - Дихателна маска, когато при рязането се вдига прах (напр. рязане на сухи дърва).

Защита от електрически удар



- Верижният трион не трябва да се ползва във влажно време или мокра среда, защото електродвигателят не е водоустойчив.

1. Включвайте триона само в контакти на проверени електрически инсталации. Проверете дали мрежовото напрежение отговаря на посоченото на идентификационната табелка. Проверете дали има монтиран предпазител 16 А. Когато се работи на открито, трионът трябва да е включен в инсталация с прекъсвач за остатъчен ток с ток на сработване не повече от 30 mA.



- В случай на повреда на захранващия кабел, незабавно изключете от контакта.

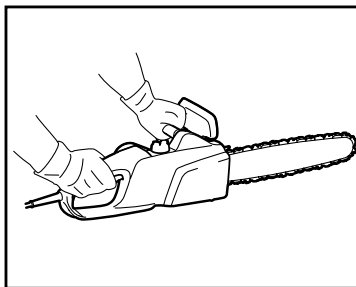
Безопасни работни практики

1. Преди да пристъпите към работа, проверете дали трионът е в добро работно състояние и дали отговаря на нормативите за безопасност. По-специално, проверете дали:
 - Спирачката на веригата работи нормално;
 - Аварийната спирачка работи нормално;
 - Шината и капакът на зъбното колело са монтирани правилно;
 - Веригата е заточена и обтегната в съответствие с нормативните изисквания;
 - Няма повреди по захранващия кабел и щепсела;

Прочетете раздела „ПРОВЕРКИ“.

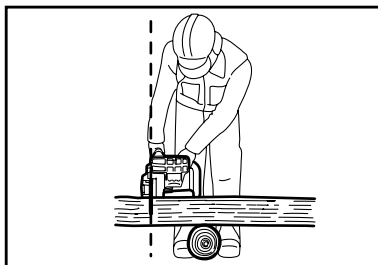
2. Винаги проверявайте особено дали кабелът на удължителя е с нужното сечение (виж „СПЕЦИФИКАЦИИ“). Когато използвате удължител с макара, развийте кабела докрай. Когато работите на открито, проверете дали кабелът е предназначен за работа на открито и има нужните характеристики.
3. Дръжте кабела извън зоната на рязане и го разполагайте така, че да не се закачи на клони или друго по време на рязането.
4. Не работете с триона в непосредствена близост до леснозапалими прах и газове, тъй като от двигателя излизат искри и има **риск от взрив**.
5. Работете само на твърда земя с добра опора за краката. Обърнете особено внимание на препятствията (напр. кабела) в работната зона. Бъдете особено внимателни, когато повърхността може да е хлъзгава поради влага, лед, сняг, стърготини или кора. Не се качвайте на стълба или дърво, когато ползвате триона.
6. Бъдете особено внимателни при работа на наклонен терен; има потенциална опасност от търкалящи се дънери или клони.
7. Никога не режете над височината на рамото.

8. **Дръжте верижния трион с двете ръце, когато го включвате и работите.** Дръжте задната ръкохватка с дясната ръка, а предната – с лявата. Дръжте ръкохватките здраво със стиснати палци. Шината и веригата не трябва да се допират до нищо при включването на триона.



014316

9. Почистете зоната, в която ще режете, от чужди предмети като пясък, камъни, пирони и др. Чуждите тела могат да повредят шината и веригата, и да доведат до опасен обратен удар.
10. Бъдете особено внимателни, когато режете близо до огради от телена мрежа. Не режете мрежата, защото може да има обратен удар от триона.
11. Не режете в земята.
12. Режете дървата едно по едно, а не на снопове.
13. Избягвайте да режете тънки клони и корени, защото може да се заплетат във веригата. Загубата на равновесие е опасна.
14. Използвайте надеждна подпора (магаре) за рязане на дърва.
15. Не избутвайте отрязани парчета дърво и други предмети с триона.
16. Водете верижния трион така, че никоя част от тялото ви да не се намира в траекторията на веригата (виж фигурата).

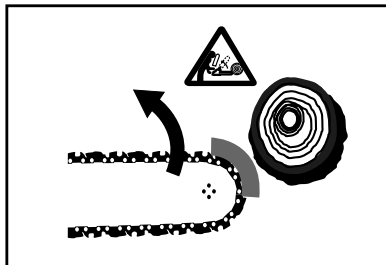


006909

17. Ако се местите между две рязания, включете спирачката на веригата, за да не може да се задейства неволно. Когато носите верижния трион, го дръжте за предната ръкохватка, а пръстът ви не трябва да бъде на спусъка.
18. Когато си почивате или оставяте триона без надзор, изключвайте щепсела от контакта. Оставяйте триона на място, където няма да представлява опасност.

Обратен удар

1. По време на работа с верижния трион има опасност от обратен удар. Обратният удар се получава, когато ръбът на шината (особено в горната четвърт) се допре до дърво или друг твърд предмет. По този начин верижният трион се отклонява към оператора.

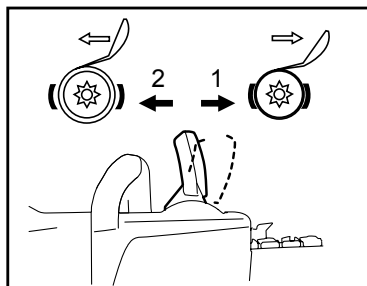


006919

2. За да предотвратите обратен удар, спазвайте следното:
 - Никога не започвайте да режете с върха на шината.
 - Никога не режете с върха на шината. Бъдете особено внимателни, когато продължавате започнат срез.
 - Веригата трябва да се върти, когато започвате да режете.
 - Винаги заточвайте веригата правилно. И по-специално, регулирайте ограничителя за дълбочина на правилното разстояние.
 - Никога не режете няколко клона едновременно.
 - Когато кастрите, внимавайте шината да не се допре до други клонове.
 - Когато бичите, се пазете от околните дънери. Винаги следете върха на шината.
 - Използвайте магаре.

Защитни функции

1. Преди да пристъпите към работа, винаги проверявайте дали защитните функции работят. Не ползвайте верижния трион, ако защитните функции не работят правилно.
 - **Спирачка на веригата:**
Верижният трион е снабден със спирачка на веригата, която я спира напълно за части от секундата. Тя се задейства чрез избутване на предпазителя за ръката напред. Веригата на триона спира за 0.15 s, а захранването на двигателя се прекъсва.



014317

1. Задействана спирачка на веригата
2. Освободена спирачка на веригата

- **Аварийна спирачка:**
Верижният трион е оборудван с аварийна спирачка, която спира веригата незабавно при отпускане на бутона прекъсвач ВКЛ./ИЗКЛ.. Така трионът не може да работи, когато е изключен, и не е опасен.
- **Предният и заден предпазител за ръцете** пазят потребителя от парчета дърво, които могат да бъдат изхвърлени назад, и при скъсване на веригата.
- **Блокировката на спусъка** не позволява неволно включване на триона.
- **Предпазителят на веригата** пази потребителя от нараняване в случай на отскачане или скъсване на веригата.

Транспорт и съхранение



- Когато верижният трион не се ползва или се транспортира, изключете щепсела от контакта и сложете калъфа на водещата шина, включен в комплекта на триона. Никога не носете и не транспортирайте триона с въртяща се верига.
1. Носете триона като го държите само за предната ръкохватка, а шината да е насочена напред.
 2. Съхранявайте триона в безопасно, сухо и заключено помещение, извън обсега на деца. Не съхранявайте верижния трион на открито.

ПОДДРЪЖКА

1. Изключвайте щепсела от контакта преди да регулирате или обслужвате триона.
2. Редовно проверявайте за повреди в изолацията на захранващия кабел.
3. Почиствайте верижния трион редовно.
4. При повреда на пластмасовия корпус, незабавно дайте триона за отстраняване на повредата по правилния начин.
5. Не ползвайте триона, ако прекъсвачът-спусък не работи нормално. Дайте го за ремонт в сервиз.
6. В никакъв случай не трябва да се правят промени по верижния трион. Това би застрашило вашата безопасност.
7. Не извършвайте поддръжка или поправки, които не са описани в настоящото ръководство за експлоатация. Всички други работи трябва да бъдат извършвани в упълномощени сервизи.
8. Използвайте само оригинални резервни части и принадлежности, предназначени за вашия модел трион. Използването на различни части увеличава риска от злополука.
9. Ние не носим отговорност за злополуки или повреди, дължащи се на ползването на неподходящи шини, вериги и други резервни части или принадлежности.

Първа помощ



- Не работете сами. Наблизо трябва да има второ лице, което да можете да извикате.
1. Винаги дръжте под ръка аптечка за първа помощ. Незабавно подменяйте всяко нещо, което извадите от нея.
 2. Ако ви е необходима помощ при злополука, съобщете следното:
 - Мястото на злополуката
 - Описание на злополуката
 - Брой на ранените
 - Вид на нараняванията
 - Името на съобщаващия

ЗАБЕЛЕЖКА:

Хора със затруднено кръвообращение, които са изложени на силни вибрации, може да изпитат проблеми с кръвоносните съдове или нервната система.

Вибрациите могат да предизвикат следните симптоми в пръстите, дланите или китките: „Заспиване“ (сънливост), гъделичкане, болка, пронизващо усещане, промяна в цвета или твърдостта на кожата.

Ако някой от тези симптоми се прояви, потърсете лекар!

ЗАПАЗЕТЕ НАСТОЯЩИТЕ ИНСТРУКЦИИ.

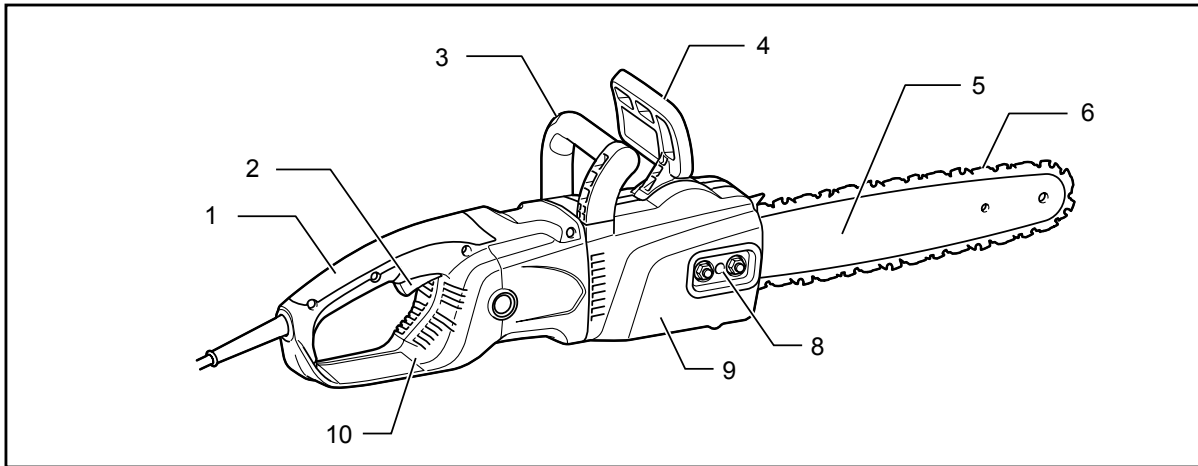
⚠️ПРЕДУПРЕЖДЕНИЕ:

НЕ позволявайте успокоението от познаването на продукта (придобито при дългата му употреба) да замени стриктното спазване на правилата за безопасност за въпросния продукт. **НЕПРАВИЛНАТА УПОТРЕБА** и неспазването на правилата за безопасност, посочени в настоящото ръководство за експлоатация, могат да доведат до тежки наранявания.

НАИМЕНОВАНИЕ НА ЧАСТИТЕ

(Модел с гайка: капакът на верижното колело се притяга с гайки.)

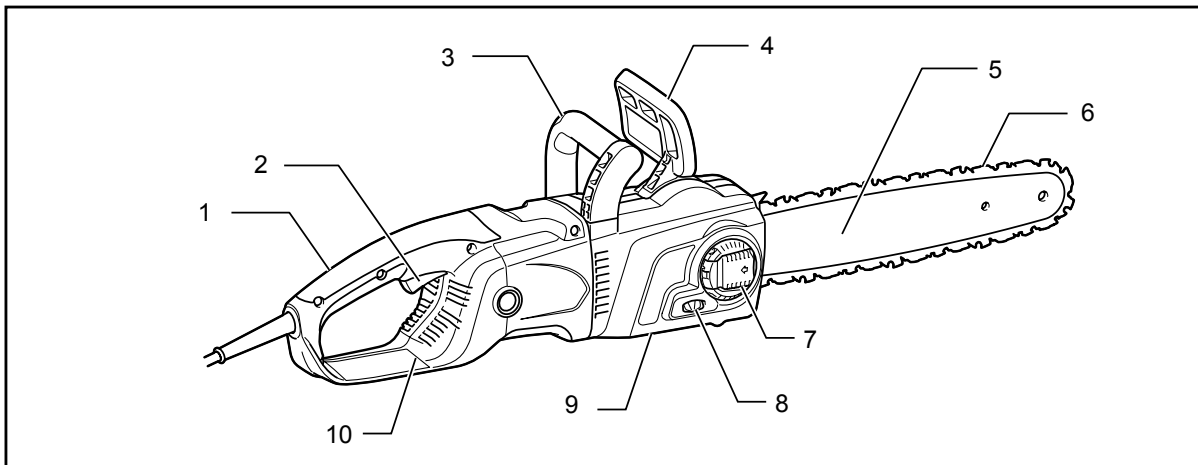
За модел UC3050A, UC3550A, UC3550AP, UC4050A, UC4550A



014372

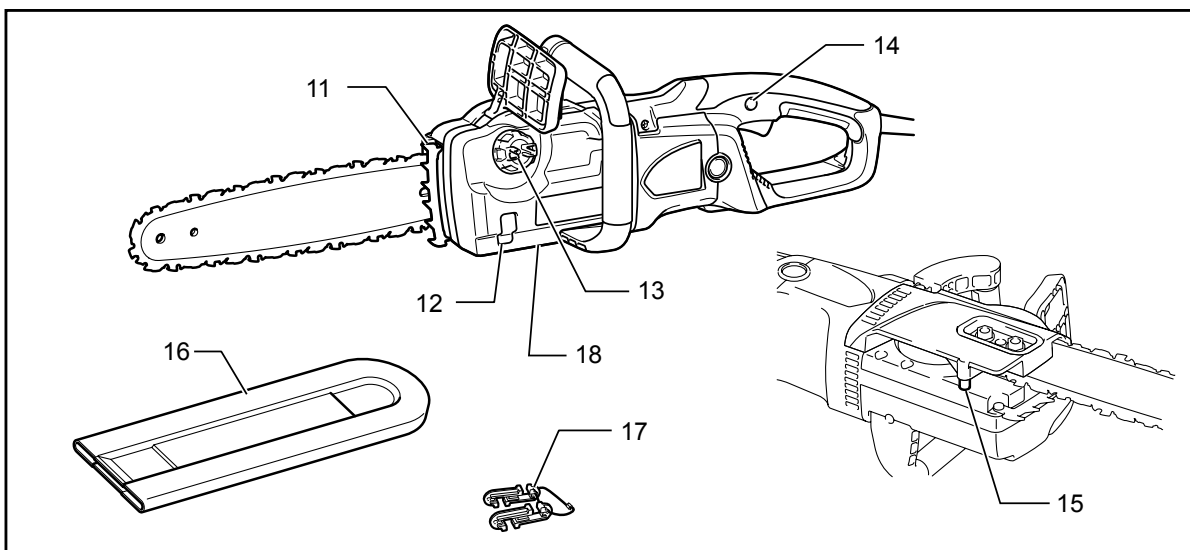
(Модел с лостче: капакът на верижното колело се притяга с лостче.)

За модел UC3051A, UC3551A, UC4051A, UC4551A



014373

(За всички модели)



014514

1	Задна ръкохватка	7	Лост	13	Капачка на отвора за масло
2	Пусков прекъсвач	8	Винт за настройка/ дисков превключвател	14	Блокиращ бутон
3	Предна ръкохватка	9	Капак на зъбното колело	15	Предпазител на веригата
4	Преден предпазител за ръцете	10	Заден предпазител за ръцете	16	Калъф на водещата шина
5	Водеща шина	11	Опора с шипове	17	Кука за кабел
6	Верига на трион	12	Контрол на нивото на маслото	18	Винт за настройка на маслената помпа (в долната страна)

014375

СГЛОБЯВАНЕ

⚠ВНИМАНИЕ:

- Преди да извършвате някакви работи по инструмента задължително проверете дали той е изключен от бутона и от контакта.

Отстраняване или поставяне на капака на верижното колело

За отстраняване на капака на верижното колело изпълнете следните стъпки:

(За моделите с гайка)

Фиг.1

Разхлабете гайката.

(За моделите с лостче)

Фиг.2

Натиснете, за да отворите напълно лоста до упор. Завъртете лостчето обратно на часовниковата стрелка.

За монтиране на капака на верижното колело изпълнете горните стъпки в обратна последователност:

Отстраняване или поставяне на режещата верига

⚠ВНИМАНИЕ:

- Винаги носете ръкавици при монтаж или демонтаж на режещата верига.

За демантиране на режещата верига изпълнете следното:

1. Разхлабете капака на верижното колело.
2. (за моделите с гайка) Завъртете винта за настройка на веригата обратно на часовниковата стрелка, за да намалите опъването на режещата верига. (За моделите с лостче) Завъртете дисковия превключвател по посока “-”, за да намалите опъването на режещата верига.

Фиг.3

Фиг.4

3. Свалете капака на верижното колело.
4. Демантирайте режещата верига и водещата шина от верижния трион.

За монтиране на режещата верига изпълнете следните стъпки:

5. Проверете посоката на движение на веригата. Обозначението със стрелка върху веригата показва посоката на движение на веригата.

Фиг.5

6. Поставете единия край на режещата верига върху горната страна на водещата шина и другия ѝ край около верижното колело.
7. Поставете водещата шина върху верижния трион.
8. Подравнете плъзгача за обтягането с отвора върху водещата шина.

Фиг.6

9. Придържайки водещата шина, въртете винта за настройка на веригата / дисковия превключвател, за да регулирате обтягането на режещата верига .
10. Поставете капака на верижното колело, така че куката да влезе в отворите, а щифта да влезе в срещуположната част на капака на верижното колело.

Фиг.7

11. Притегнете капака на верижното колело.

Фиг.8

Фиг.9

Регулиране на обтягането на веригата

След многочасова експлоатация е възможно веригата да провисне. Ето защо, преди да започнете работа, редовно проверявайте проверявайте обтягането на веригата.

1. Разхлабете малко капака на верижното колело.
2. Повдигнете леко предния край на водещата шина.
3. Завъртете винта за настройка /дисковия превключвател, за да настроите обтягането на режещата верига.

Фиг.10

Фиг.11

4. Затегнете режещата верига, докато долната част на режещата верига пасне в релсата на водещата шина (вижте кръга).
5. Продължавайте леко да държите водещата шина и затегнете капака на верижното колело след като регулирате обтягането на веригата. Уверете се, че режещата верига не е хлабава от долната си страна.

Уверете се, че режещата верига пасва плътно към долната част на шината.

⚠ВНИМАНИЕ:

- Не натягайте режещата верига твърде много. Прекаленото обтягане на режещата верига може да причини скъсване на режещата верига, износване на водещата шина или счупване на регулатора.

- Твърде хлабавата верига може да изпадне от водещата шина и да създаде опасност за злополука.
- Извършвайте процедурите за инсталиране и демонтаж на режещата верига на чисто място, без стърготини и други замърсявания.

Свързване на удължителен кабел.

⚠ВНИМАНИЕ:

- Уверете се, че удължителният кабел е изключен от мрежовия контакт.

Фиг.12

При свързване на удължителен кабел, прикрепете го към кабела на верижния трион посредством куката за кабела.

Прикрепете куката за кабела на приблизително 100 – 200 мм от съединителя на удължителния кабел. Това ще спомогне за предотвратяване на неволно изключване.

РАБОТА

⚠ВНИМАНИЕ:

- Дръжте здраво инструмента с дясната си ръка за задната ръкохватка и с лявата ръка върху предната ръкохватка, когато работите с инструмента.

Включване

Фиг.13

⚠ВНИМАНИЕ:

- Преди проверка на функционирането на пусковия превключвател, задължително проверете дали инструментът е изключен от бутона и от контакта.
- Преди да включите инструмента в контакта, винаги проверявайте дали пусковият прекъсвач работи нормално и се връща в положение „OFF“ (Изкл.) при отпускането му.

За предотвратяване на неволно натискане на пусковия превключвател е осигурен бутон за отключване.

За включване на инструмента, натиснете бутона за отключване и натиснете пусковия превключвател. За спиране отпуснете пусковия превключвател.

Смазване

⚠ВНИМАНИЕ:

- Преди да смазвате режещата верига, винаги проверявайте дали инструментът е изключен от бутона и контакта.

Фиг.14

Смазвайте режещата верига и водещата шина с биологически разградимо масло за верижни триони с присадки за подобряване на адхезията. Присадките за подобряване на адхезията в маслото за верижни триони, предотвратяват прекомерно

бързото изхвърляне на маслото от режещата верига. Не трябва да се използват минерални масла, тъй като те са вредни за околната среда.

⚠ВНИМАНИЕ:

- Не допускайте попадане на масло върху кожата или в очите. Контакт на маслото с очите предизвиква възпаление. В случай на контакт на маслото с очите, незабавно промийте засегнатото око с чиста вода, след което се консултирайте с лекар.
- Никога не използвайте отпадъчно масло. Отпадъчното масло съдържа канцерогенни вещества. Замърсяванията в отпадъчното масло водят до ускорено износване на маслената помпа, шината и режещата верига. Отпадъчното масло е вредно за околната среда.
- Когато пълните верижния трион с масло за първи път или допълвате резервоара, след като е бил изпразнен докрай, налейте масло до нивото на долния ръб на отвора за пълнене. В противен случай може да се влоши подаването на масло за смазване на веригата.

Фиг.15

За да налеете масло, направете следното:

1. Почистете добре участъка около капачката на отвора за пълнене с масло, за да предотвратите попадане на замърсявания в резервоара за масло.
2. Развийте капачката на резервоара за масло и налейте масло до долния ръб на отвора за пълнене.
3. Поставете и завийте докрай капачката на отвора за пълнене с масло.
4. Внимателно избършете всички следи от разлято масло.

ЗАБЕЛЕЖКА:

- Когато използвате верижния трион за първи път, може да са необходими до две минути, за да може маслото да осигури необходимото смазване на механизмите на триона. Включете верижния трион за работа на празен ход без товар, докато веригата се смаже (виж "ПРОВЕРКИ").

ПРОВЕРКИ

Преди да започнете работа, извършете посочените по-долу проверки:

Проверка на обтягането на веригата

⚠ПРЕДУПРЕЖДЕНИЕ:

- Преди проверка на обтягането на веригата винаги изключвайте захранващия щепсел от контакта и носете предпазни ръкавици.

(За моделите с гайка)

Фиг.16

(За моделите с лостче)

Фиг.17

Уверете се, че режещата верига пасва плътно към долната част на шината (вижте кръга).

Често проверявайте обтягането на веригата, тъй като новите вериги показват склонност към удължаване/провисване.

Прекаленото обтягане на режещата верига може да причини скъсване на режещата верига, износване на водещата шина или счупване на регулатора.

Твърде хлабавата верига може да изпадне от водещата шина и да създаде опасност за злополука.

Ако веригата е твърде хлабава: Виж раздела "Регулиране на обтягането на режещата верига" и регулирайте отново обтягането на режещата верига отново.

Проверка на функционирането на превключвателя

⚠ВНИМАНИЕ:

Преди да включите инструмента в контакта, винаги проверявайте дали пусковият прекъсвач работи нормално и се връща в положение „OFF“ (Изкл.) при отпускането му.

За предотвратяване на неволно натискане на пусковия превключвател е осигурен бутон за отключване.

За включване на инструмента, натиснете бутона за отключване и натиснете пусковия превключвател. За спиране отпуснете пусковия превключвател.

Не натискайте силно пусковия превключвател, без да е натиснат бутона за отключване. Това може да доведе до повреждане на превключвателя.

Проверка на спирачката на веригата

ЗАБЕЛЕЖКА:

- Ако верижният трион не стартира, трябва да освободите спирачката на веригата. За освобождаване на спирачката на веригата, изтеглете силно предпазителя за ръката, докато почувствате, че е фиксиран.

Фиг.18

Фиг.19

Проверете спирачката за веригата по следния начин:

1. Дръжте стабилно верижния трион с двете си ръце, когато го включвате. Хванете задната ръкохватка с дясната си ръка, а предната ръкохватка – с лявата. Уверете се, че шината и веригата не са в контакт с някакъв обект.
2. Първо натиснете бутона за отключване и след това пусковия превключвател. Режещата верига стартира веднага.
3. Натиснете напред предпазителя за ръката със задната част на ръката си. Уверете се, че режещата верига моментално спира да се движи.

⚠ВНИМАНИЕ:

- Ако режещата верига не спира моментално, не използвайте триона при никакви обстоятелства. Обърнете се към упълномощен сервиз на Makita.

Проверка на спирачката при изключване

Включете верижния трион.

Освободете напълно пусковия превключвател. Уверете се, че в рамките на секунда режещата верига спира да се движи.

⚠ВНИМАНИЕ:

- Ако режещата верига не спира моментално, не използвайте триона при никакви обстоятелства. Обърнете се към упълномощен сервиз на Makita.

Проверка на системата за смазване на веригата

Преди да започнете работа, проверете нивото на маслото в резервоара и подаването на масло.

Нивото на маслото може да бъде отчетено в нивомерното прозорче, показано на фигурата.

Фиг.20

Проверете системата за смазване по следния начин: Включете верижния трион.

При работещ верижен трион, задръжте режещата верига на припл. 15 см над дънер или земята. Ако смазването е правилно, фините пръски масло ще образуват тънка пътечка.

Вземете предвид посоката на вятъра и не се излагайте ненужно на пръските масло.

⚠ВНИМАНИЕ:

- Ако не се образува тънка пътечка масло, не използвайте верижния трион. В противен случай експлоатационният живот на режещата верига ще бъде съкратен. Проверете нивото на маслото. Почистете канала и отвора за подаване на масло във водещата шина (виж "ПОДДРЪЖКА").

Регулиране на смазването на веригата

Фиг.21

Можете да настроите дебита на маслената помпа с помощта на винта за настройка.

РАБОТА С ВЕРИЖНИЯ ТРИОН

⚠ВНИМАНИЕ:

- Когато работите с инструмента винаги използвайте предната ръкохватка и задната ръкохватка, и здраво дръжте инструмента едновременно за предната ръкохватка и задната ръкохватка.
- Винаги застопорявайте трупите, които ще режете, в противен случай отлетелите отломки могат да причинят наранявания.

Рязане на трупи

Фиг.22

При рязане на трупи, опрете опората с шиповете, показана на фигурата, в дървото, което трябва да бъде срязано.

При работеща режеща верига, направете срез в дървото, като използвате задната ръкохватка за повдигане на триона и предната ръкохватка, за да го направлявате. Използвайте опората с шиповете като опорна точка.

Продължете с рязането, като леко натискате предната ръкохватка и леко отпускате назад верижния трион. Придвигнете опората с шиповете по-надолу в дървото и отново повдигнете предната ръкохватка.

Когато трябва да направите няколко среза, изключвайте верижния трион между срезовете.

⚠ВНИМАНИЕ:

- Ако използвате за рязане горния ръб на водещата шина, верижният трион може да отскочи към вас, ако режещата верига се заклини. По тази причина, трябва да режете с долния ръб на водещата шина, така че при заклиняване верижният трион да се отклони навън от вашето тяло.

Фиг.23

При рязане на дърво под напрежение, първо направете срез откъм страната на натиска (А). След това направете окончателния срез откъм страната под напрежение (В). Това ще предотврати заклиняване на водещата шина.

Фиг.24

Подкастриане на клони

⚠ВНИМАНИЕ:

- Подкастриането на клони трябва да се извършва само от обучени лица. Съществува опасност от възникване на откат.

Когато подкастрирате клони, ако това е възможно, използвайте ствола на дървото като опора на верижния трион. Не режете с върха на водещата шина, тъй като това създава опасност от откат.

Обръщайте особено внимание на клони по напрежение. Не режете клони без опора отдолу.

Когато подкастрирате клони, не заставайте върху поваления ствол.

Изрязване на канали и надлъжно рязане на трупи

⚠ВНИМАНИЕ:

- Изрязване на канали и надлъжно рязане трябва да се извършва само от лица, преминали специализирано обучение. Съществува опасност от откат и нараняване.

Фиг.25

Извършвайте срезове, надлъжно на влакната на дървото, под възможно най-плитък ъгъл. Режете много внимателно, тъй като не можете да ползвате опората с шиповете.

Поваляне на дървета

⚠ВНИМАНИЕ:

- Повалянето на дървета трябва да се извършва само от обучени лица. Този тип работа е опасна.

При поваляне на дървета е необходима да спазвате местните законови разпоредби.

Фиг.26

- Преди да отсечете/повалите дърво, се уверете че:
 - (1) В зоната присъстват само лица, заети с дейностите по сечта;
 - (2) Всеки човек в зоната на сечта трябва да има път на безпрепятствено оттегляне в рамките на 45° от всяка страна на оста на поваляне на дървото. Трябва да се отчете и допълнителния риск от препъване в електрически кабели;
 - (3) Основата на ствола е свободна от външни обекти, корени и клони;
 - (4) В посоката на поваляне на ствола, в рамките на 2 1/2 височини на дървото, да не присъстват хора или обекти.
- За всяко дърво вземете предвид следното:
 - Посока на наклона;
 - Счупени или сухи клони;
 - Височина на дървото;
 - Естествено надвисване;
 - Дали дървото не е изгнило.
- Отчетете скоростта и посоката на вятъра. Не поваляйте дървета при силни пориви на вятъра.
- Изрязване на коренови израстъци: Започнете с най-големите израстъци. Направете първо вертикален и след това хоризонтален срезове.

Фиг.27

- Изрязване на клиновиден срез (засек): Клиновидният засек определя посоката, в която ще падне дървото и направлява повалянето му. Изрязва се откъм страната, към която ще бъде повалено дървото. Изрежете клиновидния засек колкото е възможно по-близо до земята. Първо направете хоризонтален срез с дълбочина 1/5-1/3 от диаметъра на ствола. Не правете клиновидния засек твърде голям. След това направете диагонален срез.
- Изрежете всички корекции на засека по цялата му дължина.

Фиг.28

- Извършете срез отзад, малко по-високо от основата на клиновидния засек. Задният срез трябва да бъде строго хоризонтален. Оставете разстояние от прибл. 1/10 от диаметъра на

ствола между задния срез и клиновидния засек. Влакната на дървото в несрязаната част на ствола действат като шарнир. При никакви обстоятелства не режете тези влакна, тъй като дървото може да падне неконтролируемо. Своевременно поставете клинове в задния срез.

- За поддържане на задния срез отворен може да използвате само алуминиеви или пластмасови клинове. Използването на железни клинове е забранено.
- Застанете отстрани на падащото дърво. Осигурете свободна зона зад падащото дърво в рамките на 45° от всяка страна на оста на дървото (виж фигурата "Зона за поваляне"). Внимавайте за падащи клони.
- Преди започване на рязане е необходимо да се планира и освободи път за безопасно оттегляне. Пътят за оттегляне трябва да се простира назад и по диагонал на очакваната линия на падане на дървото, както е показано на фигурата.

Фиг.29

ПОДДРЪЖКА

⚠ВНИМАНИЕ:

- Преди да проверявате или извършвате поддръжка на инструмента се уверете, че той е изключен от бутона и от контакта.
- Винаги носете предпазни ръкавици, при извършване на дейностите за проверка или поддръжка.
- Не използвайте бензин, нафта, разреждател, спирт и др. под. Това може да причини обезцветяване, деформация или пукнатини.

Извършвайте, описаните по-долу дейности за поддръжка, на редовни интервали. Гаранционни искове се признават, само ако тези операции са били извършвани редовно и правилно.

Единствено процедурите за поддръжка, описани в настоящия документ, могат да бъдат извършвани от потребителя. Всички други работи трябва да бъдат извършвани в упълномощени сервиси МАКИТА.

Почистване на верижния трион.

Редовно почиствайте верижния трион с чиста кърпа. Особено важно е ръкохватките да са почистени от масло.

Проверка на пластмасовия корпус

Редовно извършвайте визуална проверка на всички елементи на корпуса. Ако някои от частите се повредят, те трябва да бъдат незабавно и правилно ремонтирани в упълномощен сервиз на МАКИТА.

Заточване на режещата верига

⚠️ВНИМАНИЕ:

- Винаги изключвайте щепсела от контакта и носете предпазни ръкавици, когато работите по режещата верига.

Фиг.30

Заточете режещата верига ако:

- При рязане на влажно дърво се отделят фини стърготини;
- Веригата трудно прониква в дървото, дори ако приложите силен натиск;
- Режещите остриета са видимо повредени;
- Трионът "дърпа" в ляво или в дясно. Причината за това поведение е в неравномерното заточване на режещата верига или повреда на едната ѝ страна.

Често заточвайте режещата верига, като всеки път отнемайте малко материал от остриетата.

За рутинно заточване обикновено са достатъчни два или три хода на пилата. След като неколккратно сте заточвали режещата верига, е необходимо да я отнесете за заточване в упълномощен сервиз на МАКИТА.

Критерии за заточване:

- Дължината на всички режещи зъби трябва да е еднаква. Резци с различни дължини възпрепятстват равномерното движение на веригата и могат да предизвикат скъсване на веригата.
- Не заточвайте веригата, след като е достигната минимална дължина на резеца от 3 мм. В такъв случай е необходимо да монтирате нова верига.
- Дебелината на отнемане на материала (стружката) се определя от разстоянието между ограничителя за дълбочина (заобления нос) и режещия ръб.
- Най-добри резултати се постигат при следното разстояние между режещия ръб и ограничителя за дълбочина.

Режеща верига 91PX: 0.65 мм

Фиг.31

⚠️ПРЕДУПРЕЖДЕНИЕ:

- Прекалено голямото разстояние повишава вероятността за откат.
- Ъгълът на заточване от 30° трябва да бъде еднакъв за всички резци. Различните ъгли на заточване могат да предизвикат неправилно и неравномерно движение на веригата, ускорено износване и да доведат до скъсване на веригата.
- Наклонът на страничната плоскост на резеца се определя от дълбочината на проникване на кръглата пила. Ако препоръчаната пила се използва правилно, необходимият наклон на страничната плоскост на резеца се постига автоматично.

- Ъгълът на страничната пластина за всяка режеща верига е както следва:
Режеща верига 91PX: 80°

Фиг.32

Пила и насочване на пилата

- За заточване на веригата използвайте специална кръгла пила за режещи вериги (аксесоар, предлаган като опция). Обикновените кръгли пили не са подходящи.
- Диаметърът на кръглата пила за всяка режеща верига е както следва:
Режеща верига 91PX: 4.0 мм
- Ходът за заточване с пилата трябва да е само в посока напред. Повдигнете пилата, така че да не докосва резеца при обратния ход.
- Първоначално заточете най-късия резец. След това дължината на най-късия резец става стандарт за всички останали резци на режещата верига.

Фиг.33

- Насочвайте пилата, както е показано на фигурата.
- Ако използвате държач за пила (аксесоар-опция), ще можете да насочвате пилата по-лесно. Държачът за пила има маркировки за правилния ъгъл на заточване 30° (подравнете маркировките успоредно на режещата верига) и ограничава дълбочината на проникване (до 4/5 от диаметъра на пилата).

Фиг.34

- След като заточите веригата, проверете височината на ограничителя за дълбочина, като използвате специалния инструмент за ограничителя (аксесоар-опция).

Фиг.35

- Отстранете всички неравности, колкото и да са малки, с помощта на специална плоска пила (аксесоар-опция).
- Отново заоблете предната част на ограничителя за дълбочина.

Почистване на водещата шина и смазване на предното верижно колело

⚠️ВНИМАНИЕ:

- При изпълнение на тази задача винаги носете предпазни ръкавици. Неравностите (стружки/чапльци) създават опасност от нараняване.

Фиг.36

Редовно проверявайте за повреди по триещите се повърхности на водещата шина. При необходимост почистете с подходящ инструмент и отстранете всички неравности (стружки/чапльци).

Ако често използвате верижния трион, смазвайте лагера на предното верижно колело поне веднъж седмично. Преди добавяне на нова смазка внимателно почистете 2 мм отвор в края на водещата шина, след което впръскайте в отвора малко количество универсална смазка (аксесоар-опция).

Почистване на канала за масло

Фиг.37

- Почистете канала и отвора за подаване на масло във водещата шина на редовни интервали.

Нови режещи вериги

Използвайте с редуване две или три режещи вериги, така че режещата верига, верижното колело и триещите повърхности на водещата шина да се износват равномерно.

При смяна на веригата, обръщайте водещата шина, за да осигурите равномерно износване на канала на шината.

⚠ВНИМАНИЕ:

- Използвайте само режещи вериги и водещи шини, одобрени за този модел верижен трион (виж "СПЕЦИФИКАЦИИ").

Фиг.38

Преди монтиране на нова режеща верига, проверете състоянието на верижното колело.

⚠ВНИМАНИЕ:

- Износеното верижно колело ще повреди новата режеща верига. В този случай подменете верижното колело.

При смяна на верижното колело, винаги поставяйте нова зегерова шайба.

Поддръжка на веригата и спирачката при изключване

Спирачните системи са много важни функции за безопасност. Като всички останали компоненти на верижния трион, те са подложени на известно износване. Те трябва редовно да се проверяват в упълномощен сервиз на MAKITA. Това е необходимо за осигуряване на вашата безопасност.

Смяна на четките

Фиг.39

Редовно сваляйте четките за проверка. Когато се износят до ограничителния белег, ги сменете. Поддържайте четките чисти и да се движат свободно в четкодържателите. Двете четки трябва да се сменят едновременно. Използвайте само оригинални четки.

Фиг.40

С помощта на отвертка развийте капачките на четкодържателите. Извадете износените четки, сложете новите и завийте капачките на четкодържателите.

След смяна на четките, разработете четките като включите инструмента в контакта и го пуснете да работи без натоварване в продължение на около 10 минути.

Съхраняване на инструмента

Биологично разградимото масло за режещата верига може да бъде съхранявано в рамките на ограничен период от време. Две години след производството биологично разградимите масла стават лепливи и предизвикват повреждане на маслената помпа и системата за смазване.

- Преди изтеглите от експлоатация верижния трион за продължителен период от време, изпразнете резервоара за масло и го напълнете с малко количество двигателно масло (SAE 30).
- Включете за кратко верижния трион, за да отмиете всички остатъци от биологично разградимото масло от резервоара, системата за смазване и режещия механизъм.

ЗАБЕЛЕЖКА:

- Когато верижният трион е изваден от експлоатация, е възможно след време от него да изтекат малки количества масло. Това е нормално и не е признак за повреда.

Съхранявайте верижния трион върху подходяща повърхност.

Преди да подновите работа с верижния трион, напълнете го с прясно масло за верижни триони ВІОТОР.

За да се поддържа БЕЗОПАСНОСТТА и НАДЕЖДНОСТТА на инструмента, ремонтите, обслужването или регулирането трябва да се извършват от упълномощен сервиз на Makita, като се използват резервни части от Makita.

ОТСТРАНЯВАНЕ НА НЕИЗПРАВНОСТИ

Преди да направите заявка за ремонт извършете проверка сами. Ако откриете проблем, който не е обяснен в ръководството, не се опитвайте да разглобявате инструмента. Вместо това се обърнете към упълномощен сервиз на Makita.

Състояние на повредата	Възможна причина	Мерки за отстраняване
Верижният трион не стартира.	Няма електрозахранване.	Свържете към електрозахранващата мрежа. Проверете електрозахранването.
	Дефектирал кабел.	Незабавно прекратете работа с инструмента и се обърнете към местния упълномощен сервиз.
	Повреда в инструмента.	Незабавно прекратете работа с инструмента и се обърнете към местния упълномощен сервиз.
Веригата не се движи.	Задействана е спирачката на веригата.	Освободете спирачката на веригата.
Намалена производителност.	Графитната четка е износена.	Обърнете се към местния упълномощен сервиз за извършване на ремонт.
Няма масло върху веригата.	Резервоарът за масло е празен.	Напълнете резервоара с масло.
	Масленият канал на шината е замърсен.	Почистете канала.
	Неправилно настроен винт за настройка на маслената помпа.	Настройте дебита на маслената помпа.
Веригата не спира, дори след задействане на спирачката на веригата.	Спирачният бандаж е износен.	Незабавно прекратете работа с инструмента и се обърнете към местния упълномощен сервиз.
Ненормална вибрация на инструмента.	Разхлабете водещата шина или веригата.	Регулирайте водещата шина и обтягането на веригата.
	Повреда в инструмента.	Незабавно прекратете работа с инструмента и се обърнете към местния упълномощен сервиз.

014314

ДОПЪЛНИТЕЛНИ АКСЕСОАРИ

⚠ ВНИМАНИЕ:

- Препоръчва се използването на тези аксесоари или крайници с вашия инструмент Makita, описан в настоящото ръководство. Използването на други аксесоари или крайници може да доведе до опасност от телесни наранявания. Използвайте съответния аксесоар или крайник само по предназначение.

Ако имате нужда от помощ за повече подробности относно тези аксесоари, се обърнете към местния сервизен център на Makita.

- Режеща верига
- Калъф на водещата шина
- Водеща шина
- Масло за режещата верига

ЗАБЕЛЕЖКА:

- Някои артикули от списъка може да са включени в комплекта на инструмента, като стандартни аксесоари. Те може да са различни в различните държави.

Objašnjenje općeg pogleda

2-1. Poluga	12-1. Kuka za kabel	19-1. Prednji štitnik za ruke
2-2. Poklopac lančanika	12-2. Kabel alata	19-2. Otključati
3-1. Vijak za podešavanje	12-3. Produžni kabel	19-3. Zaključati
4-1. Kotačić za prilagodbu	12-4. Utikač i utičnica (oblik može varirati, ovisno o zemlji)	20-1. Prozor za razinu ulja
5-1. Zubac	13-1. Gumb za deblokadu	22-1. Šiljasti odbojnik
6-1. Vodilica	13-2. Uključno-isključna sklopka	26-1. Područje obaranja
6-2. Rupa	15-1. Poklopac za punjenje ulja	29-1. Smjer obaranja
7-1. Kuka	15-2. Remen	29-2. Zona opasnosti
7-2. Rupa	16-1. Otpustiti	29-3. Put za bježanje
7-3. Klin	16-2. Stegnuti	31-1. Rezna duljina
9-1. Poluga	16-3. Vijak za podešavanje lanca	31-2. Razmak između rezne oštrice i mjeraca dubine
9-2. Poklopac lančanika	16-4. Vodilica	31-3. Najmanje 3 mm
10-1. Otpustiti	16-5. Lančana pila	32-1. Kut bočne ploče
10-2. Stegnuti	17-1. Otpustiti	37-1. Utor za vođenje ulja
10-3. Vijak za podešavanje lanca	17-2. Stegnuti	37-2. Rupa za dolijevanje ulja
10-4. Vodilica	17-3. Kotačić za prilagodbu	38-1. Zubac
10-5. Lančana pila	17-4. Vodilica	39-1. Granična oznaka
11-1. Otpustiti	17-5. Lančana pila	40-1. Poklopac držača četkica
11-2. Stegnuti	18-1. Prednji štitnik za ruke	40-2. Odvijač
11-3. Kotačić za prilagodbu	18-2. Zaključati	
11-4. Vodilica	18-3. Otključati	
11-5. Lančana pila		

SPECIFIKACIJE

Model	UC3050A	UC3051A	UC3550A	UC3550AP	UC3551A	UC4050A	UC4051A	UC4550A	UC4551A	
Najveća brzina lanca	14,5 m/s (870 m/min)									
Standardna vodilica	Duljina vodilice	300 mm	350 mm		400 mm	450 mm				
	Rezna duljina	260 mm	320 mm		355 mm	415 mm				
	Vrsta vodilice	Vodilica s vršnim zupčanikom								
Standardni lanac pile	Vrsta	91PX								
	Nagib	3/8"								
	Broj pogonskih karika lanca	46	52		56	62				
Preporučena duljina vodilice	300 - 450 mm									
Ukupna dužina (bez vodilice)	505 mm									
Neto masa	5,4 kg	5,5 kg	5,5 kg	5,6 kg	5,5 kg	5,6 kg	5,7 kg			
Produžni kabel (dodatno)	DIN 57282/HO 7RN-FL = 30 m max., 3x1,5 mm ²									

- Zahvaljujući stalnom programu istraživanja i razvoja, ovdje navedeni tehnički podaci su podložni promjeni bez prethodne najave.
- Tehnički podaci se mogu razlikovati ovisno o zemlji.
- Masa prema EPTA postupak 01/2003

END218-7

Simbol

U nastavku su prikazani simboli koji se koriste za opremu. Prije korištenja se uvjerite da ste razumjeli njihovo značenje.



• Pročitajte upute za uporabu i slijedite upozorenja i sigurnosne upute.



• Nosite zaštitu za oči.



• Nosite zaštitu za uši.



- DVOSTRUKA IZOLACIJA
- Oprez: potrebna posebna pažnja i pozornost!
- Oprez: odmah izvucite glavni utikač ako je kabel oštećen!
- Oprez: povratni udar!
- Zaštitite uređaj od kiše i vlage!



- Nosite kacigu, naočale i štitnike za uši!



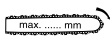
- Nosite zaštitne rukavice!



- Izvucite utikač!



- Prva pomoć



- Najveća dopuštena duljina reza



- Smjer putovanja lanca



- Ulje za lanac



- Kočnica lanca puštena



- Kočnica lanca pritisnuta



- Zabranjeno!



- Samo za države EU-a
Ne odlažite električnu opremu zajedno s komunalnim otpadom!
Poštujući Europsku direktivu o otpadnoj električnoj i elektroničkoj opremi i njezinu primjenu prema nacionalnom zakonu, električna oprema kojoj je istekao rok valjanosti mora se prikupiti odvojeno i vratiti u ekološki sukladnu ustanovu za recikliranje.

ENE085-1

Namjena

Alat je namijenjen za rezanje trupaca i balvana.

ENF002-2

Električno napajanje

Alat se smije priključiti samo na električno napajanje s naponom istim kao na nazivnoj pločici i smije raditi samo s jednofaznim izmjeničnim napajanjem. Oni su dvostruko izolirani i stoga se također mogu rabiti iz utičnica bez provodnika za uzemljenje.

ENG905-1

Buka

Tipična jačina buke označena s A, određena sukladno EN60745:

Razina zvučnog tlaka (L_{pA}): 90,8 dB (A)

Razina jačine zvuka (L_{WA}): 101,8 dB (A)

Neodređenost (K): 2,5 dB (A)

Nosite zaštitu za uši

ENG900-1

Vibracija

Ukupna vrijednost vibracija (troosni vektorski zbir) izračunata u skladu s EN60745:

Režim rada : rezanje drveta

Emisija vibracija (a_h): 5,2 m/s²

Neodređenost (K): 1,5 m/s²

ENG901-1

- Deklarirana vrijednost emisije vibracija je izmjerena sukladno standardnoj metodi testiranja i može se rabiti za usporedbu jednog alata s drugim.
- Deklarirana vrijednost emisije vibracija također se može rabiti za preliminarnu procjenu izloženosti.

⚠ UPOZORENJE:

- Emisija vibracija tijekom stvarnog korištenja električnog ručnog alata se može razlikovati od deklarirane vrijednosti emisije, ovisno o načinu na koji se alat rabi.
- Nemojte zaboraviti da identifikirate sigurnosne mjere zaštite rukovatelja koje se temelje na procjeni izloženosti u stvarnim uvjetima korištenja (uzimajući u obzir sve dijelove radnog ciklusa, poput vremena kada je alat isključen i kada on radi u praznom hodu, a također i vrijeme okidanja).

ENH030-5

Samo za europske zemlje

EZ Izjava o sukladnosti

Tvrtna Makita izjavljuje da su sljedeći strojevi:

Oznaka stroja:

Motorna pila

Br. modela/tip: UC3050A, UC3550A, UC4050A, UC4550A, UC3051A, UC3551A, UC3550AP, UC4051A, UC4551A

Specifikacije: pogledajte tablicu "SPECIFIKACIJE".

Usklađeni sa sljedećim europskim smjernicama:

2000/14/EZ, 2006/42/EZ

Proizvedeni su u skladu sa sljedećim standardima ili standardiziranim dokumentima:

EN60745

EZ Certifikat o ispitivanju tipa br.5514056,14005

Provjeru za EZ Certifikat o ispitivanju tipa prema 2006/42/EZ izvršio je:

DEKRA Testing and Certification GmbH

Enderstraße 92b

01277 Dresden

Germany

Broj: 2140

Tehnička datoteka u skladu s 2006/42/EZ dostupna je na sljedećoj adresi:

Makita, Jan-Baptist Vinkstraat 2, 3070, Belgija

Postupak ocjenjivanja sukladnosti koji zahtijeva Direktiva 2000/14/EZ u skladu je s Prilogom V.

Izmjerena razina jačine zvuka: 101,9 dB (A)

Zajamčena razina jačine zvuka: 103 dB (A)



000331

Yasushi Fukaya
Direktor

Makita, Jan-Baptist Vinkstraat 2, 3070, Belgium

GEA010-1

Opća sigurnosna upozorenja za električne ručne alate

⚠ UPOZORENJE Pročitajte sva sigurnosna upozorenja i sve upute. Nepridržavanje upozorenja ili uputa može rezultirati električnim udarom, požarom i/ili ozbiljnom ozljedom.

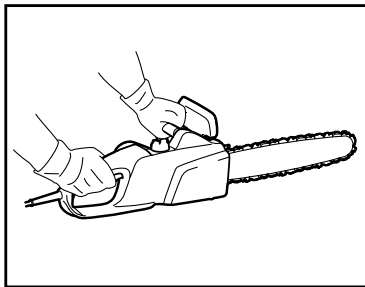
Sačuvajte sva upozorenja i upute radi kasnijeg korištenja.

GEB037-8

Sigurnosna upozorenja za motornu pilu

1. **Držite sve dijelove tijela podalje od lančane pile ako lanac radi. Prije nego što počnete rad motornom pilom, lanac ne smije dodirivati ništa.** Trenutak nepažnje u radu motornom pilom može uzrokovati da se odjeća ili dijelovi tijela isprepletu s lancem.
2. **Uvijek držite pilu tako da vam je desna ruka na stražnjoj ručki i lijevu ruku na prednjoj.** Držanje motorne pile obrnutim rasporedom ruku povećava rizik od ozljede i nikada se ne bi trebalo obavljati.
3. **Držite alat za napajanje samo za izolirane rukohvatne površine jer lančana pila može dodirnuti skrivene električne vodove ili vlastiti kabel.** Lančana pila koja dođe u dodir s vodičem pod naponom može dovesti pod napon izložene metalne dijelove električnog ručnog alata i prouzročiti električni udar kod rukovatelja.
4. **Nosite zaštitne naočale i zaštitu za uši. Preporučuje se i dodatna zaštitna oprema za glavu, ruke, noge i stopala.** Odgovarajuća zaštitna odjeća smanjit će mogućnost ozljede od letećih krhotine ili slučajnog kontakta s lančanom pilom.
5. **Nemojte rukovati pilom sa stabla.** Rad motornom pilom dok ste na stablu može dovesti do ozljede.
6. **Uvijek imajte odgovarajuće uporište i upravljajte motornom pilom samo kad stoji na fiksnoj, sigurnoj i ravnoj površini.** Skliske ili nestabilne površine poput ljestava mogu izazvati gubitak ravnoteže ili kontrole nad motornom pilom.

7. **Kada režete granu koja je napeta, pripazite na povratni udar opruge.** Kad se napetost u vlaknima drveta oslobodi, opruga može udariti operatera i/ili staviti motornu vidio izvan kontrole.
8. **Budite oprezni prilikom rezanja žbunova i mladica.** Ovaj tanki materijal može uhvatiti lančanu pilu i baciti se prema vama ili vas izbaciti iz ravnoteže.
9. **Nosite motornu pilu isključenu i udaljenu od svog tijela. Kod prenošenja ili pohranjivanja motorne pile uvijek postavite poklopac vodilice.** Pravilno rukovanje motornom pilom smanjit će vjerojatnost slučajnog kontakta s pokretnim lancem pile.
10. **Slijedite upute za podmazivanje, zatezanje lanca i zamjenu pribora.** Nepravilno zategnut ili podmazan lanac može slomiti alat ili povećati šanse za povratni udar.
11. **Držite ručke suhima, čistima i bez ulja i masti.** Masne, nauljene ručke su skliske, što uzrokuje gubitak kontrole.
12. **Režite samo drva. Nemojte koristiti motornu pilu za svrhe koje nisu namijenjene. Na primjer: ne koristite motornu pilu za rezanje plastike, zidanih objekata ili nedravnog građevinskog materijala.** Korištenje motorne pile za radnje različite od namijenjenih mogle bi imati za posljedicu opasnu situaciju.
13. **Uzroci i način kako operator može spriječiti povratni udar:**
 Povratni udar može se dogoditi kada nos ili vrh vodilice dodirne neki objekt, ili kad se drvo zatvori i priklješti lanac pile u rez.
 Kontakt s vrhom u nekim slučajevima može uzrokovati naglu obrnutu reakciju te udariti vodilicu gore i gurnuti je natrag prema operatoru.
 Priklještenje lanca pile na vrhu vodilice može brzo gurnuti vodilicu natrag prema operatoru.
 Bilo koja od tih reakcija može uzrokovati da izgubite kontrolu nad pilom što bi moglo dovesti do ozbiljnih ozljeda. Nemojte se oslanjati isključivo na sigurnosne uređaje ugrađene u svoje pile. Kao korisnik motorne, trebali biste i sami poduzeti nekoliko koraka da bi radnje rezanja ostale slobodne od nezgode ili ozljeda.
 Povratni udar je rezultat zloupotrebe i/ili nepravilnih radnih postupaka alatom ili uvjeta rada i može se spriječiti poduzimanjem propisnih mjera predostrožnosti kao što je navedeno u nastavku:
 - **Alat držite čvrsto, s palčevima i prstima oko ručke motorne pile te s objema rukama na pili i postavite svoje tijelo i ruke u takav položaj da se može oduprijeti povratnom udaru.** Rukovatelj može kontrolirati povratne sile, ako se poduzmu pravilne mjere opreza. Nemojte ispuštati motornu pilu.



014316

- **Nemojte se pretjerano protezati i nemojte rezati iznad visine ramena.** Ovo pomaže u sprečavanju neplaniranog kontakta s vrhom i omogućuje bolju kontrolu nad motornom pilom u neočekivanim situacijama.
- **Koristite samo zamjenske vodilice i lance koje je naveo proizvođač.** Neispravne zamjenske vodilice i lanci mogu izazvati lomljenje i/ili povratni udar.
- **Slijedite proizvođačeve upute o oštrenju i održavanju lanca pile.** Smanjuje visinu mjerača dubine može dovesti do povećanog povratnog udara.

DODATNA SIGURNOSNA PRAVILA

1. Pročitajte priručnik s uputama da biste se upoznali s radom motorne pile.
2. Prije prvog korištenja lanca bilo bi dobro da vas netko podučiti njegovom radu. Ako to nije moguće, prije početka rada, vježbajte bar rezanje oblutaka na stalku.
3. Pilu ne smiju koristiti djeca i osobe mlađe od 18 godina starosti. Mlade osobe iznad 16 godina starosti mogu biti izuzete od ovog ograničenja ako se osposobljavaju pod nadzorom stručnjaka.
4. Rad motornom pilom zahtijeva visoku razinu koncentracije. Nemojte raditi pilom ako se ne osjećate dobro. Sve radnje izvodite mirno i pažljivo.
5. Nikada nemojte raditi pod utjecajem alkohola, droge ili lijekove.

Pravilna uporaba

1. Motorna pila namijenjena je isključivo za rezanje drva. Nemojte je koristiti na primjer za rezanje plastike ili poroznog betona.
2. Motorne pile koristite samo za radnje opisane u ovom priručniku. **Nemojte** je, primjerice, koristiti za šišanje živice ili za slične svrhe.
3. Motorna se pila ne smije koristiti za šumarske radove, tj. za sječu i podrezivanje stojećih stabala. Kabel motorne ne pružaju rukovatelju mobilnosti i sigurnosti potrebne za takav rad.
4. Motorna pila nije namijenjena za komercijalnu upotrebu.
5. Nemojte preopteretiti motornu pilu.

Osobna zaštitna oprema

1. Odjeća vam treba biti odgovarati i ne smije ometati mobilnost.
2. Nosite sljedeće zaštitnu odjeću za vrijeme rada:
 - Testirana sigurnosna kaciga, ako postoji opasnost od pada grane ili slično;
 - Masku za lice ili zaštitne naočale;
 - Pogodnu zaštitu za uši (ušne školjke, prilagodljive ili po mjeri izrađene čepove za uši). Analiza razine buke na zahtjev.
 - Čvrste kožne zaštitne rukavice;
 - Duge hlače izrađene od jake tkanine;
 - Zaštitne traperice od tkanine otporne na rez otporne;
 - Sigurnosne cipele ili čizme s potplatima koji se ne klizu, čeličnom zaštitom na prstima, obložene tkaninom koja se reže;
 - Maska za disanje, pri obavljanju posla koji proizvodi prašinu (npr. piljenje drva suha).

Zaštita od električnog udara



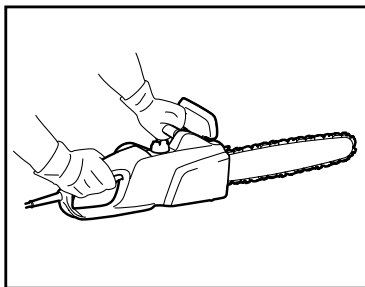
- Pila se ne smije koristiti u vlažnim vremenskim uvjetima ili u vlažnim okruženjima jer elektromotor nije vodootporan.
1. Pilu priključite samo u utičnice u ispitanim električnim krugovima. Napon sustava mora odgovarati naponu na pločici. Postavite linijski osigurač od 16 A. Pile koje se koriste na otvorenom mora biti spojene na rezidualni prekidač strujnog kruga s radnim strujom ne većom od 30 mA.
- Ako je kabel napajanja oštećen, odmah izvucite utikač.



Sigurne radne prakse

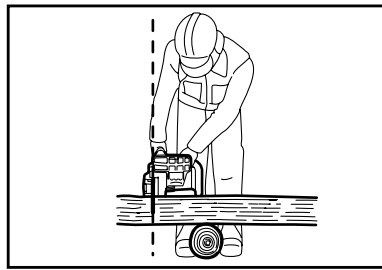
1. Prije početka rada provjerite da je motorna pila u ispravnom stanju i da je njeno stanje u skladu sa sigurnosnim propisima. Posebno obratite pažnju da:
 - Kočnica lanca radi ispravno;
 - Kočnica za blokadu radi ispravno;
 - Vodilica i poklopac lančanika pravilno montirani;
 - Lanac je izoštren i napet u skladu s propisima;
 - Mrežni kabel i utikač su neoštećeni;
- Pogledajte odlomak "PROVJERE".
2. Uvijek posebno provjerite da korišteni produžni kabel ima odgovarajući presjek (vidi "Specifikacije"). Kada koristite kabelski kolotur, odmotajte kabel u cijelosti. Kada koristite pilu na otvorenom, osigurajte da je primijenjeni kabel namijenjen za korištenje na otvorenom i da u skladu s tim ima odgovarajuće certifikate.
 3. Držite kabel dalje od područja rezanja i postavite ga tako da se slučajno ne uhvati za grane za vrijeme rezanja.

4. Nemojte raditi lancem u blizini zapaljivih plinova ili prašine, jer motor stvara iskre i **predstavlja rizik od eksplozije**.
5. Radite samo na čvrstom tlu s dobrim uporištem. Obratite posebnu pozornost na prepreke (npr. kabel) u radnom prostoru. Posebno vodite računa u uvjetima s vlagom, ledom, snijegom, svježe odsječena stabla ili kora mogu površine napraviti skliskima. Kada koristite pilu nemojte stajati na ljestvama ili stablima.
6. Budite oprezni kad radite na padini; stabla koja se okreću i grane predstavljaju potencijalnu opasnost.
7. Nikada ne režite pilom iznad visine ramena.
8. **Držite lanac vidjela objema rukama kada ga uključite i koristite.** Držite stražnju ručku svojom desnom rukom i prednju ručku lijevom. Držite ručke čvrsto palčevima. Vodilica i lanac ne smiju biti u kontaktu sa svim predmetima kad je pila uključena.



014316

9. Očistite područje za rezanje od stranih objekata poput pijeska, kamena, čavala, žice, itd. Strani predmeti mogu oštetiti vodilicu i lanac, što može dovesti do opasnog udara.
10. Poduzmite poseban oprez prilikom rezanja u blizini žice ograde. Nemojte rezati u ogradu, jer pila može napraviti povratni udar.
11. Nemojte rezati u zemlju.
12. Komade drveta režite pojedinačno, a ne u skupinama ili snopovima.
13. Izbjegavajte korištenje pile za rezanje tankih grana i korijena, jer se one mogu upetljati u motornu pilu. Gubitak ravnoteže predstavlja opasnost.
14. Koristite sigurnu potporu (stalke) pri rezanju rezane građe.
15. Nemojte koristiti motorne pile da uklonite komade drveta i drugih objekata.
16. Vodite motornu pilu tako da nijedan dio vašeg tijela ne bude u proširenom putu lanca pile (vidi sliku).

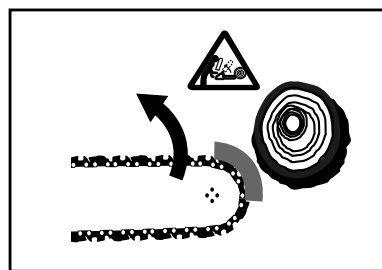


006909

17. Pritisnite kočnicu lanca prilikom prelazaka s jedne na drugu operaciju rezanja kako ne bi došlo do nehotičnog pokretanja lanca. Držite motornu pilu za prednju ručku kada je nosite i ne držite prst na prekidaču.
18. Izvucite utikač prilikom uzimanja pauze ili kad ostavljate motornu pilu bez nadzora. Ostavite motornu pilu tamo gdje ne predstavlja opasnost.

Povrati udar

1. Tijekom rada motornom pilom može doći do opasnog udara. Povratni udar nastaje kada vrh vodilice (posebice gornji dio) dođe u dodir s drvetom ili drugim čvrstim objektom. To uzrokuje da pila skrene u smjeru rukovatelja.



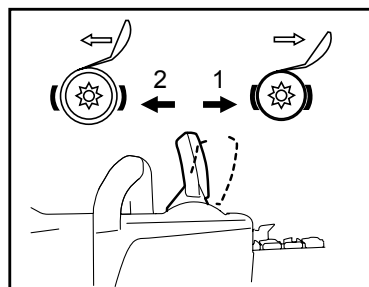
006919

2. Da bi se izbjegao protuudarac, pripazite na sljedeće:
 - Nikada nemojte počinjati rezati s vrha vodilice.
 - Nikada ne koristite vrh vodilice za rezanje. Budite oprezni kada nastavljate već započete rezove.
 - Započnite rez dok lanac radi.
 - Uvijek pravilno naoštrite lanac. Konkretno, postavite mjerac dubine na odgovarajuću visinu.
 - Nikad nemojte rezati nekoliko grana istovremeno.
 - Pri kresanju grana, pazite da vodilica ne dolazi u dodir s drugim granama.
 - U slučaju suprotnog djelovanja držite se podalje od susjednih stabala. Uvijek pazite na vrh vodilice.
 - Koristite stalak.

Sigurnosne značajke

1. Prije rada uvijek provjerite da su sigurnosne značajke u funkciji. Nemojte koristiti motornu pilu ako sigurnosne značajke ne rade ispravno.
 - **Kočnica lanca:**
Motorna je pila opremljena kočnicom lanca koja omogućuje zastoj lanca pile u djeliću sekunde.

Aktivira se kad se ručna zaštita gurne naprijed. Lanac pile prestaje raditi u roku od 0,15 s, a prekida se i napajanje motora.



014317

1. Pritisnuta kočnica lanca
2. Otpuštena kočnica lanca

– Kočnica za blokadu:

Lanac pile je opremljen kočnicom za blokadu koja odmah zaustavlja lanac čim se otpusti uključno/isključna sklopka. To sprječava okretanje lanca pile kad je isključen, što inače predstavlja opasnost.

– **Prednji i stražnji štitnici ruku** štite korisnika od ozljeda zbog komada drveta koji mogu odskočiti unatrag ili od slomljenog lanca pile.

– **Zaključavanje uključno/isključne sklopke** sprječava da se motorna pila uključi slučajno.

– **Hvatač lanca** štiti korisnika od ozljeda ako lanac poskočiti ili preskoči.

Transport i skladištenje



· Kada motorna pila nije u uporabi ili se prevozi, izvucite utikač i postavite poklopac vodilice koji je isporučen s pilom. Nikada ne nosite i ne prevozite pilu dok lanac pile radi.

1. Pri nošenju pile držite je samo za prednji rukohvat s vodilicom okrenutom unatrag.
2. Držite pilu u sigurnoj, suhoj i zaključanoj sobi izvan dohvata djece. Ne držite motorne pile vani.

ODRŽAVANJE

1. Izvucite utikač iz utičnice prije obavljanja bilo kakve prilagodbe ili održavanja.
2. Redovito provjeravajte ima li oštećenja izolacije kabela.
3. Motoru pilu čistite redovito.
4. Ako je plastično kućište oštećeno odmah ga popravite.
5. Ne koristite pilu ako ključno/isključnu sklopka ne radi ispravno. Popravite je.
6. Ni pod kojim okolnostima ne smiju se vršiti izmjene na motornoj pili. Vaša je sigurnost u opasnosti.
7. Nemojte vršiti nikakvo održavanje ili popravak osim onoga što je ovim priručnikom opisano. Bilo koji drugi posao mora obaviti neki ovlašteni servisni centar.
8. Koristite samo originalne zamjenske dijelove i pribor koji su namijenjeni za vaš model pile. Korištenje drugih dijelova povećava rizik od nezgode.

9. Ne prihvaćamo nikakvu odgovornost za nezgode ili štete u slučaju korištenja neodobrenih vodilica, lanaca pile ili drugih zamjenskih dijelova ili opreme koju koristite.

Prva pomoć



· Nemojte raditi sami. Uvijek radite unutar udaljenosti na kojoj vas druga osoba može čuti ako vičete.

1. Uvijek držite kutiju s prvom pomoći pri ruci. Odmah zamijenite sve stavke iz kompleta prve pomoći čim ih upotrijebite.
2. Ako zatražite pomoć u slučaju nezgode, navedite sljedeće:
 - Gdje se nezgoda dogodila?
 - Što se dogodilo?
 - Koliko je osoba ozlijeđeno?
 - Kakve ozljede imaju?
 - Tko prijavljuje nezgodu?

NAPOMENA:

Pojedinci s lošom cirkulacijom koji su izloženi velikim vibracijama mogu doživjeti ozljede krvnih žila i živčanog sustava.

Vibracije mogu uzrokovati sljedeće simptome u prstima, rukama ili zapešćima: "Utrnutost" (ukočenost), bockanje, bol, osjećaj probadanja na koži, promjenu boje kože.

Ako se javi bilo koji od ovih, posjetite liječnika!

ČUVAJTE OVE UPUTE.

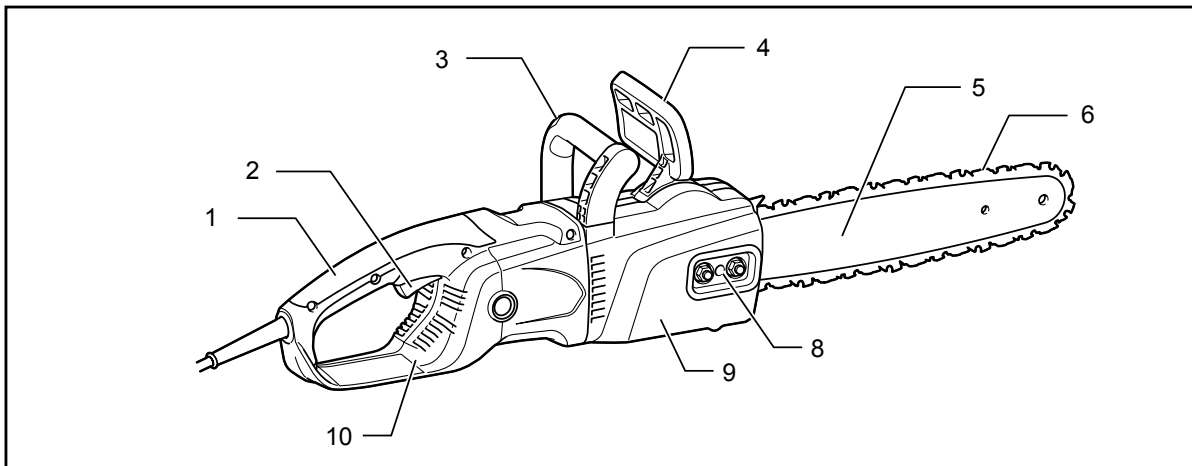
⚠ UPOZORENJE:

NEMOJTE dozvoliti da udobnost ili znanje o proizvodu (stečeno stalnim korištenjem) zamijene **strogo pridržavanje sigurnosnih propisa za određeni proizvod. ZLOPORABA ili nepridržavanje sigurnosnih propisa navedenih u ovom priručniku s uputama mogu prouzročiti ozbiljne ozljede.**

OZNAKE DIJELOVA

(Model s maticom: poklopac zupčanika zateže se maticama.)

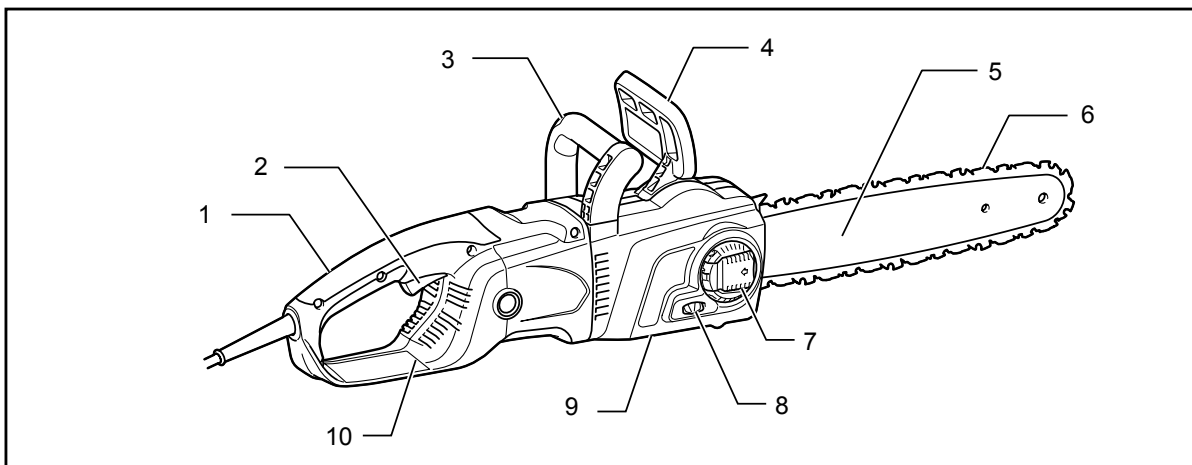
Za model UC3050A, UC3550A, UC3550AP, UC4050A, UC4550A



014372

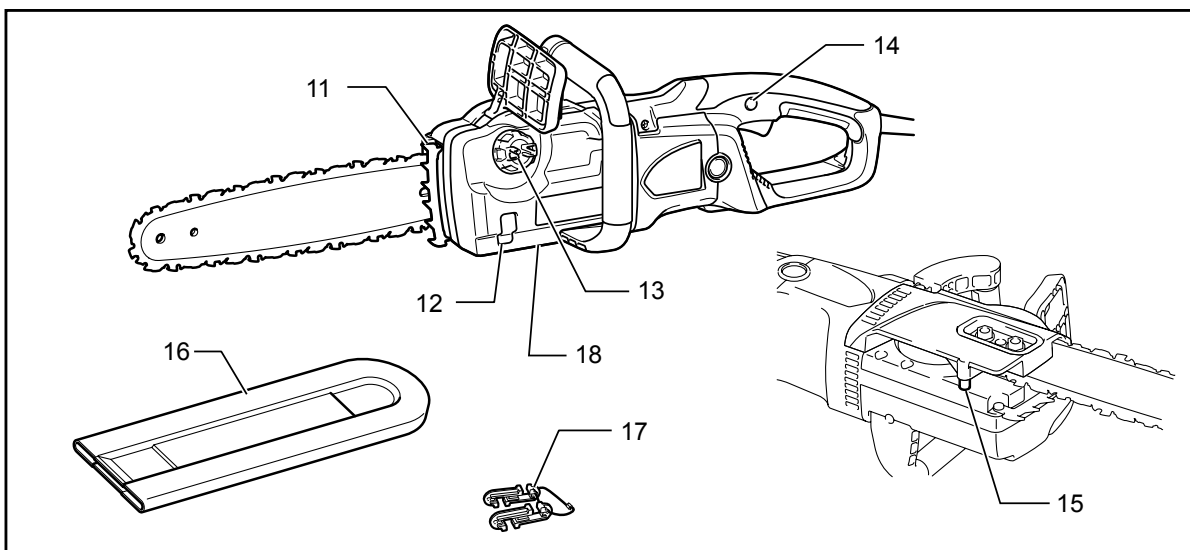
(Model s polugom: poklopac zupčanika zateže se polugom.)

Za model UC3051A, UC3551A, UC4051A, UC4551A



014373

(Za sve modele)



014514

1	Zadnji rukohvat	7	Poluga	13	Poklopac za punjenje ulja
2	Uključno-isključna sklopka	8	Vijak za podešavanje/podesni kotačić	14	Gumb za deblokadu
3	Prednja ručka	9	Poklopac lančanika	15	Hvatač lanca
4	Prednji štitić za ruke	10	Stražnji štitić za ruke	16	Poklopac vodilice
5	Vodilica	11	Šiljasti odbojnik	17	Kuka za kabel
6	Lančana pila	12	Prozor za razinu ulja	18	Vijak za podešavanje za pumpu za ulje (s donje strane)

014375

MONTAŽA

⚠OPREZ:

- Prije svih zahvata na stroju obavezno isključite stroj i priključni kabel izvucite iz utičnice.

Uklanjanje ili postavljanje poklopca zupčanika

Poklopac zupčanika možete ukloniti sljedećim postupkom:

(Za modele s maticom)

SI.1

Olabavite maticu.

(Za modele s polugom)

SI.2

Pritisnite i potpuno otvorite polugu dok se ne zaustavi. Okrenite polugu u smjeru suprotnom od kazaljke na satu.

Da biste postavili poklopac zupčanika, izvedite gore navedene postupke u obrnutom smjeru.

Uklanjanje ili postavljanje lanca pile

⚠OPREZ:

- Prilikom instalacije ili uklanjanja lanca pile uvijek nosite rukavice.

Lanac pile možete ukloniti sljedećim postupkom:

- Olabavite poklopac zupčanika.
- (Za modele s maticom) Okrenite vijak za podešavanje lanca u smjeru suprotnom od kazaljke na satu kako biste otpustili zategnutost lanca pile.
(Za modele s polugom) Okrenite podesni kotačić prema oznaci „-“ kako biste otpustili zategnutost lanca pile.

SI.3

SI.4

- Uklonite poklopac zupčanika.
- Uklonite lanac pile i vodilicu s motorne pile.

Lanac pile, možete postaviti sljedećim postupkom:

- Provjerite ispravnost smjera lanca. Strelica na lancu pokazuje smjer lanca.

SI.5

- Postavite jedan kraj lanca pile na vrh vodilice, a drugi oko zupčanika.

7. Postavite vodilicu na lanac pile.
8. Poravnajte zatezni klizač s rupom na vodilici.

SI.6

9. Dok držite vodilicu, okrenite vijak za podešavanje lanca/podesni kotačić kako biste podesili zategnutost lanca pile.
10. Postavite poklopac zupčanika tako da se kuke poravnaju uz rupe i da je zatik poravnat sa svojim parom na poklopcu zupčanika.

SI.7

11. Zategnite poklopac zupčanika.

SI.8

SI.9

Podešavanje zategnutosti lanca pile

Lanac pile može olabavjeti nakon što se koristi mnogo sati. Povremeno provjerite zategnutost lanca pile prije uporabe.

1. Lagano olabavite poklopac zupčanika.
2. Lagano podignite vrh vodilice.
3. Okrenite vijak za podešavanje/podesni kotačić kako biste podesili zategnutost lanca pile.

SI.10

SI.11

4. Zategnite lanac pile dok donja strana lanca pile ne sjedne u vodilicu (vidi krug).
5. I dalje lagano držite vodilicu, pa zategnite poklopac zupčanika nakon podešavanja napetosti lanca. Pobrinite se da se lanac pile ne olabavi na donjoj strani.

Pobrinite se da lanac pile pristaje bez problema na donju stranu vodilice.

⚠OPREZ:

- Nemojte pretegnuti lanac pile. Kad je lanac pile previše zategnut, može se prekinuti, a može i uzrokovati ubrzano trošenje vodilice ili lom podesnog kotačića.
- Suviše labav lanac može odskočiti s vodilice i stoga je potencijalni izvor opasnosti.
- Postupak postavljanja ili uklanjanja lanca pile obavite na čistom mjestu bez piljevine i sličnih čestica.

Korištenje produžnog kabela

⚠OPREZ:

- Provjerite da produžni kabel nije uključen u utičnicu.

SI.12

Kada koristite produžni kabel, pričvrstite ga s kabelom motorne pile pomoću kuke za kabel. Pričvrstite kuku za kabel na udaljenosti od 100 - 200 mm od utičnice produžnog kabela. Na taj način spriječiti ćete slučajno raskapčanje.

RAD SA STROJEM

⚠OPREZ:

- Tijekom rada alat čvrsto držite desnom rukom na stražnjoj ručki a lijevom na prednjoj ručki.

Uključivanje i isključivanje

SI.13

⚠OPREZ:

- Obavezno provjerite je li alat isključen i je li kabel izvađen prije provjere uključno-isključne sklopke.
- Prije uključivanja stroja na električnu mrežu provjerite radi li uključno-isključna sklopka i da li se vraća u položaj za isključivanje "OFF" nakon otpuštanja.

Da bi se spriječilo slučajno povlačenje uključno-isključne sklopke, na alat je instaliran i gumb za deblokadu.

Za pokretanje alata, otpustite gumb za deblokadu i potom povucite uključno-isključnu sklopku. Za isključivanje alata otpustite uključno-isključnu sklopku.

Podmazivanje

⚠OPREZ:

- Prije podmazivanja lanca pile obavezno provjerite je li alat isključen, a kabel isključen iz utičnice.

SI.14

Podmažite lanac pile i vodilicu biološki razgradivim uljem za lanac pile sa sredstvom za prijanjanje. Sredstvo za prijanjanje u ulju za lanac pile sprječava prebrzo slijevanje ulja s pile. Ne smijete koristiti mineralna ulja jer ona štete okolišu.

⚠OPREZ:

- Ulje ne smije doći u dodir s kožom i očima. Pri dodiru s očima ulje ih nadražuje. U slučaju dodira s očima odmah vodom isperite dotično oko i smjestite se obratite liječniku.
- Nikad ne koristite otpadno ulje. Otpadno ulje sadrži kancerogene tvari. Kontaminanti u otpadnom ulju pospješuju trošenje uljne pumpe, vodilice i lanca. Otpadno ulje šteti okolišu.
- Prilikom prvog punjenja motorne pile uljem ili nadopunjavanja spremnika nakon što se potpuno ispraznio, ulijte ulje do donjeg ruba nastavka za punjenje. Drugačije punjenje može negativno utjecati na opskrbu uljem.

SI.15

Postupak punjenja ulja je sljedeći:

1. Temeljito očistite područje oko poklopca spremnika za ulje kako u njega ne bi ušla prljavština.
2. Odvijte poklopac spremnika i dolijte ulje do donjeg ruba nastavka za punjenje.
3. Vratite poklopac spremnika i čvrsto ga zategnite.
4. Pažljivo obrišite proliveno ulje.

NAPOMENA:

- Kad prvi put upotrijebite motornu pilu, ulju će možda trebati do dvije minute da počne podmazivati mehanizam pile. Držite pilu u pogonu bez tereta dok ulje ne počne djelovati (pogledajte "PROVJERE").

PROVJERE

Prije početka rada izvršite sljedeće provjere:

Provjera zategnutosti pile

⚠️ UPOZORENJE:

- Prije provjere zategnutosti pile uvijek izvucite strujni utikač i nosite zaštitne rukavice.

(Za modele s maticom)

SI.16

(Za modele s polugom)

SI.17

Pobrnite se da lanac pile pristaje bez problema na donju stranu vodilice (pogledajte krug).

Redovno provjeravajte zategnutost lanca jer su novi lanci podložni izduživanju.

Kad je lanac pile previše zategnut, može se prekinuti, a može i uzrokovati ubrzano trošenje vodilice ili lom podesnog kotačića.

Suviše labav lanac može odskočiti s vodilice i stoga je potencijalni izvor opasnosti.

Ako je lanac previše labav: Pogledajte odjeljak „Podešavanje zategnutosti lanca pile“ i ponovno podesite zategnutost lanca pile.

Provjera rada sklopke

⚠️ OPREZ:

Prije uključivanja stroja na električnu mrežu provjerite radi li uključno-isključna sklopka i da li se vraća u položaj za isključivanje "OFF" nakon otpuštanja.

Da bi se spriječilo slučajno povlačenje uključno-isključne sklopke, na alat je instaliran i gumb za deblokadu.

Za pokretanje alata, otpustite gumb za deblokadu i potom povucite uključno-isključnu sklopku. Za isključivanje alata otpustite uključno-isključnu sklopku.

Nemojte snažno povlačiti uključno-isključnu sklopku dok niste otpustili gumb za deblokadu. Na taj biste način mogli slomiti sklopku.

Provjera kočnice pile

NAPOMENA:

- Ne pokrene li se motorna pila, provjerite je li kočnica lanca pritisnuta. Za otpuštanje kočnice lanca, povucite snažno štitnik za ruke dok ne osjetite da se uklopio.

SI.18

SI.19

Kočnicu lanca provjerite na sljedeći način:

1. Kad uključujete motornu pilu, držite je objema rukama. Stražnju ručku alata držite desnom, a prednju ručku lijevom rukom. Pazite da vodilica i lanac ništa ne dodiruju.
2. Prvo pritisnite gumb za deblokadu, a zatim uključno-isključnu sklopku. Motorna pila odmah će se pokrenuti.
3. Nadlanicom pritisnite prednji štitnik za ruke prema naprijed. Provjerite je li lanac pile odmah stao.

⚠️ OPREZ:

- Ne zaustavi li se odmah, nemojte koristiti pilu ni pod kojim okolnostima. Zatražite savjet od Makita ovlaštenog servisnog centra.

Provjera kočnice za zaustavljanje

Uključite motornu pilu.

Potpuno otpustite uključno-isključnu sklopku. Provjerite je li lanac pile stao u roku od jedne sekunde.

⚠️ OPREZ:

- Ne zaustavi li se odmah, nemojte koristiti pilu ni pod kojim okolnostima. Zatražite savjet od Makita ovlaštenog servisnog centra.

Provjera mazalice pile

Prije nego što počnete raditi, provjerite razinu ulja u spremniku i opskrbu uljem.

Razinu ulja možete vidjeti na pokazivaču razine ulja prikazanom na slici.

SI.20

Provjerite opskrbu uljem na sljedeći način:

Pokrenite motornu pilu.

Dok pila radi, postavite lanac pile otprilike 15 cm iznad debla stabla ili tla. Ako je pila dovoljno podmazana, raspršeno ulje ostavit će blagi trag.

Pazite na smjer vjetra i ne izlažite se nepotrebno ulju koje bude raspršeno.

⚠️ OPREZ:

- Ako ulje ne ostavi trag, ne koristite pilu. Inače ćete joj skratiti radni vijek. Provjerite razinu ulja. Očistite utor i rupu za ulijevanje ulja u vodilici (pogledajte "ODRŽAVANJE").

Podešavanje podmazivanja lanca

SI.21

Stopu dovoda pumpe za ulje možete podesiti vijkom za podešavanje.

RAD MOTORNOM PILOM

⚠️ OPREZ:

- Za vrijeme rada uvijek čvrsto držite pilu držeći za prednju i stražnju ručku.
- Uvijek pričvrstite trupac koji ćete rezati kako vam odječeni fragmenti ne bi nanijeli ozljede.

Piljenje klada

SI.22

Ako pilite klade, stavite šiljasti odbojnik sa slike na drvo koje treba rezati.

Pokrenite lanac pile i zapilite drvo tako da stražnjom ručkom podignete pilu, a prednjom je vodite. Upotrijebite šiljasti odbojnik kao uporišnu točku.

Nastavite rezati tako da lagano pritišćete prednju ručku i malo opustite pilu prema natrag. Pomaknite šiljasti odbojnik niže niz deblo i opet podignite prednju ručku.

Ako izvodite više rezova, isključite motornu pilu između rezova.

OPREZ:

- Ako se gornji rub vodilice koristi za rezanje, motorna se pila može odbiti u vašem smjeru ako se zaglavi lanac. Stoga režite donjim rubom kako bi se pila odbila u smjeru suprotnom od vašega.

SI.23

Drvo pod pritiskom prvo zarezite sa strane pritiska (A). Zatim izvedite završni rez sa strane pritiska (B). Tako se neće zaglaviti vodilica.

SI.24

Piljenje grana s klade

OPREZ:

- Grane s klade smiju uklanjati samo osobe koje su za to obučene. Postoji opasnost od povratnog udara.

Kad uklanjate grane s klade, poduprite motornu pilu na deblu ako možete. Ne režite vrhom vodilice jer postoji rizik od povratnog udara.

Obratite posebnu pozornost granama pod pritiskom. Režite nepoduprte grane odozdo.

Ne stojite na posječenom deblu dok mu pilite grane.

Dubljenje i rezanje paralelno zrnu

OPREZ:

- Dubljenje i rezanje paralelno zrnu smiju obavljati samo posebno obučene osobe. Zbog mogućnosti povratnog udara može doći do ozljeda.

SI.25

Kada režete uzdužno, neka vam rez bude pod što oštrijim kutom. Režite što pažljivije jer ne možete koristiti šiljasti odbojnik.

Sječa

OPREZ:

- Stabla smiju sjeći samo osobe koje su za to obučene. Radovi su opasni.

Ako želite posjeći stablo, pridržavajte se lokalnih propisa.

SI.26

- Prije nego što počnete sjeći, uvjerite se:
 - (1) Da su u blizini samo osobe koje sudjeluju u sjeći;

- (2) Da je svim osobama koje sudjeluju dostupan put za uzmak bez prepreka i za opseg od nekih 45 ° sa svake strane osi sječenja. Uzmite u obzir i dodati rizik od spoticanja preko električnih kablova;

- (3) Da na temelju debla nema stranih predmeta, korijenja i grana;

- (4) Da nema osoba ni predmeta na udaljenosti od 2,5 duljina drveta u smjeru u kojem će drvo pasti.

- Uzmite u obzir sljedeće osobine svakog drveta:
 - Smjer nagiba;
 - Labave ili suhe grane;
 - Visinu drveta;
 - Prirodno ispupčenje;
 - Trulost drveta.
- Uzmite u obzir brzinu i smjer vjetra. Ne siječite ako vjetar puše u snažnim naletima.
- Podrezivanje nabreklog korijenja: počnite s najvećim nabreklinama. Prvo izvršite vertikalni rez, a zatim horizontalni.

SI.27

- Urežite zasjek: zasjek određuje smjer u kojem će drvo pasti i vodi ga. Urežite ga sa strane prema kojoj će drvo pasti. Urežite zasjek što bliže tlu. Prvo izvršite horizontalni rez na dubinu od 1/5 -1/3 promjera debla. Zasjek ne smije biti prevelik. Zatim izvršite dijagonalni rez.
- Urežite ispravke zasjeka po cijelom njegovoj širini ako su potrebne.

SI.28

- Stražnji rez treba biti malo viši od temeljnog reza zasjeka. Stražnji rez mora biti potpuno horizontalan. Ostavite otprilike 1/10 promjera debla između stražnjeg reza i zasjeka. Drvena vlakna u nerezanom dijelu debla služe kao šarke. Nikako smijete izrezati sva vlakna jer će drvo nekontrolirano pasti. Na vrijeme umetnite klinove u stražnji rez.
- Stražnji rez smije se držati otvorenim samo pomoću plastičnih ili aluminijskih klinova. Zabranjeno je koristiti željezne klinove.
- Stanite postranice drva koje će pasti. Ostavite slobodno područje sa stražnje strane drveta koje će pasti do kuta od 45 ° sa svake strane osi drveta (pogledajte sliku "područje sječe"). Obratite pozornost na padajuće grane.
- Isplanirajte put bijega i raščistite ga ako je potrebno prije rezanja. Put bijega treba se dijagonalno protezati prema stražnjem dijelu očekivane linije pada kao što je prikazano na slici.

SI.29

ODRŽAVANJE

⚠OPREZ:

- Prije svih zahvata na stroju provjerite jeste li isključili stroj i priključni kabl izvadili iz utičnice.
- Uvijek nosite rukavice kad obavljate preglede ili održavanje.
- Nikada nemojte koristiti benzin, mješavinu benzina, razrjeđivač, alkohol ili slično. Kao rezultat toga može se izgubiti boja, pojaviti deformacija ili pukotine.

Alat redovno održavajte na način opisan u nastavku. Reklamacije na jamstvo prihvatit će se samo ako ste redovno i primjereno obavljali ove radnje.

Korisnik smije obavljati samo one radove održavanja koji su opisani u ovim uputama za uporabu. Bilo koji drugi posao mora obaviti neki MAKITA ovlašteni servisni centar.

Čišćenje motorne pile

Redovno čistite pilu čistom krpom. Posebice na ručkama ne smije ostati ulja.

Provjera plastičnog kućišta

Redovno vizualno provjeravajte sve dijelove kućišta. Ako je neki dio oštećen, odmah ga predajte na potpuni popravak u MAKITA ovlaštenom servisnom centru.

Oštrenje lanca pile

⚠OPREZ:

- Kad radite na lancu pile, uvijek izvucite strujni utikač i nosite zaštitne rukavice.

SI.30

Naoštrite lanac pile u sljedećim situacijama:

- Kad se prilikom rezanja vlažnog drveta proizvodi brašnasta piljevina;
- Kad lanac teško probija drvo, čak i ako primijenite velik pritisak;
- Kad je rezna oštrica vidljivo oštećena;
- Pila u drvetu vuče nalijevo ili nadesno. Uzrok tomu je nejednoliko naoštren lanac pile ili oštećenje samo s jedne strane.

Redovno oštrite lanac pile, ali svaki put uklonite samo malo materijala.

Dva ili tri poteza rašpom obično su dovoljna za rutinsko oštrenje. Nakon što nekoliko puta naoštrite lanac pile, predajte ga na oštrenje u MAKITA ovlašteni servisni centar.

Kriteriji oštrenja:

- Svi rezači moraju biti iste duljine. Kad su rezači različitih duljina, oni uzrokuju poteškoće pri radu lanca i on uslijed toga može puknuti.
- Ne oštrite više lanac kad dosegnete najmanju duljinu rezača od 3 mm. Tada se mora ugraditi novi lanac.
- Veličina čestica piljevine ovisi o razlici dubine reza („okrugli nos“) i rezne oštrice.

- Najbolji rezultati rezanja postižu se pri sljedećim dubinama rezanja, tj. razlici visine dubine reza i rezne oštrice:

Oštrica lanca 91PX: 0,65 mm

SI.31

⚠UPOZORENJE:

- Prevelika udaljenost povećava rizik od povratnog udara.
- Kut oštrenja mora biti jednak na svim rezačima i iznositi 30°. Različiti kutovi mogu uzrokovati grub i nejednak rad ili lom lanca te ubrzati trošenje.
- Kut bočne ploče rezača određen je dubinom prodiranja okrugle rašpe. Ako primjereno koristite navedenu rašpu, pravilan kut bočne ploče bit će postignut automatski.
- Kut bočne ploče za svaki lanac pile je sljedeći:
Oštrica lanca 91PX: 80°

SI.32

Rašpa i upravljanje rašpom

- Za oštrenje lanca pile koristite posebnu okruglu rašpu (dodatni pribor). Nisu primjerene normalne okrugle rašpe.
- Promjer okrugle rašpe za svaki od navedenih lanaca pile je sljedeći:
Oštrica lanca 91PX: 4,0 mm
- Rašpa treba dolaziti u dodir s rezačem samo prilikom poteza naprijed. Prilikom povratnog poteza podignite i maknite rašpu od rezača.
- Prvo naoštrite najkraći rezač. Nakon toga, duljina najkraćeg rezača postaje mjerilo za sve druge rezače koji se nalaze na tom lancu pile.

SI.33

- Upravlajte rašpom kako je prikazano na slici.
- Rašpom se lakše upravlja ako koristite držač za rašpe (dodatni pribor). Držač za rašpe ima oznake za ispravni kut oštrenja od 30° (poravnajte oznake paralelno lancu pile) i granice za dubinu prodiranja (do 4/5 promjera rašpe).

SI.34

- Nakon što naoštrite lanac, provjerite visinu mjerila dubine pomoću alata za mjerenje dubine lanca (dodatni pribor).

SI.35

- Uklonite sav stršeći materijal, bez obzira na njegovu veličinu, posebnom ravnom rašpom (dodatni pribor).
- Opet zaoblite prednji dio mjerila dubine.

Čišćenje vodilice i podmazivanje povratnog zupčanika

⚠OPREZ:

- Tijekom ove aktivnosti uvijek nosite zaštitne rukavice. Hrapavi rubovi mogu uzrokovati ozljede.

SI.36

Redovno provjeravajte jesu li oštećene radne površine vodilice. Očistite je prikladnim alatom i uklonite hrapave rubove ako je potrebno.

Ako često koristite motornu pilu, podmažite ležaj povratnog zupčanika barem jednom tjedno. Prije nego što dodate svježeg maziva, pažljivo očistite rupu od 2 mm na vrhu vodilice, a zatim u nju umetnite malu količinu višenamjenskog maziva (dodatni pribor).

Čišćenje vodilice za ulje

SI.37

- Redovno čistite utor vodilice za ulje i rupu za ulijevanje ulja u vodilici.

Novi lanci pile

Izmjenično koristite dva ili tri lanca kako bi se lanac, zupčanik i radne površine vodilice ravnomjerno trošile. Prilikom zamjene lanca preokrenite vodilicu da bi se njezin utor ravnomjerno trošio.

OPREZ:

- Koristite samo lance i vodilice koje su odobrene za ovaj model pile (pogledajte „SPECIFIKACIJE“).

SI.38

Prije ugradnje novog lanca na pilu provjerite stanje zupčanika.

OPREZ:

- Istrošeni zupčanik oštećuje novi lanac pile. U tom slučaju zamijenite zupčanik.

Prilikom zamjene zupčanika uvijek ugradite novi zaporni prsten.

Održavanje lanca i kočnica za zaustavljanje

Kočni su sustavi vrlo važne sigurnosne značajke. Kao i svaki drugi dio motorne pile, podložni su trošenju u određenoj mjeri. Redovno ih mora pregledavati neki MAKITA ovlašteni servisni centar. Ovo je mjera radi vaše vlastite sigurnosti.

Zamjena ugljenih četkica

SI.39

Ugljene četkice zamjenjujte i provjeravajte redovno. Zamijenite ih kada istrošenost stigne do granične oznake. Vodite računa da su ugljene četkice čiste i da ne mogu skliznuti u držače. Obe ugljene četkice treba zamijeniti istovremeno. Koristite samo identične ugljene četkice.

SI.40

Koristite odvijač da biste uklonili poklopce ugljenih četkica. Izvadite istrošene ugljene četkice, umetnite nove i pričvrstite poklopce držača četkice.

Nakon zamjene četka, uključite alat i četkice pokretanjem alata bez opterećenja na oko 10 minuta.

Čuvanje alata

Biološki razgradivo ulje za lanac pile smije se držati samo određeno vrijeme. Kad prođu dvije godine od proizvodnje, biološka ulja postaju ljepljiva te mogu oštetiti uljnu pumpu i komponente u sustavu za podmazivanje.

- Prije nego što motornu pilu stavite izvan pogona na dulje vrijeme, ispraznite spremnik ulja i napunite ga malom količinom motornog ulja (SAE 30).
- Nakratko pokrenite motornu pilu da biste isprali sve ostatke biološkog ulja iz spremnika, sustava za podmazivanje i mehanizma pile.

NAPOMENA:

- Nakon što motornu pilu stavite izvan upotrebe, iz nje će neko vrijeme curiti male količine ulja za lanac. To je normalno i nije znak neispravnosti.

Motornu pilu čuvajte na odgovarajućoj površini.

Prije nego što opet pokrenete motornu pilu, napunite je svježim uljem za lanac BIOTOP.

Da biste zadržali SIGURNOST I POUZDANOST proizvoda, održavanje ili namještanja morate prepustiti ovlaštenim Makita servisnim centrima, uvijek rabite originalne rezervne dijelove.

RJEŠAVANJE PROBLEMA

Prije nego zatražite popravak, provedite sami svoj pregled. Nađete li na poteškoću koja nije objašnjena u priručniku, ne pokušavajte sami rastaviti alat. Umjesto toga, kontaktirajte Makita ovlašteni servisni centar.

Stanje kvara	Mogući uzroci	Popravak
Motorna pila se ne pokreće.	Nema mrežnog napajanja.	Spojite na izvor struje. Provjerite dovod struje.
	Kabel oštećen.	Odmah prestanite koristiti alat i nazovite vaš lokalni ovlašteni servisni centar.
	Alat je u kvaru.	Odmah prestanite koristiti alat i nazovite vaš lokalni ovlašteni servisni centar.
Lanac se ne pokreće.	Kočnica lanca je pritisnuta.	Otpustite kočnicu lanca.
Nedostatni učinak.	Ugljena četkica istrošena.	Zatražite popravak kod vašeg lokalnog servisnog centra.
Nema ulja na lancu.	Spremnik ulja je prazan.	Napunite spremnik za ulje.
	Zaprljan utor za dovod ulja.	Očistite utor.
	Vijak za podešavanje pumpe za ulje neispravno je podešen.	Podesite stopu dovoda pumpe za ulje.
Lanac se ne zaustavlja čak ni kad je kočnica lanca pritisnuta.	Traka kočnice je istrošena.	Odmah prestanite koristiti alat i nazovite vaš lokalni ovlašteni servisni centar.
Alat neobično vibrira.	Otpustite vodilicu ili lanac pile.	Podesite zategnutost vodilice i lanca.
	Alat je u kvaru.	Odmah prestanite koristiti alat i nazovite vaš lokalni ovlašteni servisni centar.

014314

DODATNI PRIBOR

OPREZ:

- Ovaj dodatni pribor ili priključci se preporučuju samo za uporabu sa Vašim Makita strojem preciziranim u ovom priručniku. Uporaba bilo kojih drugih pribora ili priključaka može donijeti opasnost od ozljeda. Rabite dodatak ili priključak samo za njegovu navedenu namjenu.

Ako Vam je potrebna pomoć za više detalja u pogledu ovih dodatnih pribora, obratite se najbližem Makita servisnom centru.

- Lanac pile
- Poklopac vodilice
- Vodilica
- Ulje za lanac pile

NAPOMENA:

- Neke stavke iz popisa se mogu isporučiti zajedno sa strojem kao standardni dodatni pribori. Oni mogu biti različiti ovisno o zemlji.

МАКЕДОНСКИ (Оригинални упатства)

Опис на оштиот преглед

2-1. Рачка	12-1. Закачалка за кабел	18-3. Отклучи
2-2. Преграда на свездестиот лагер	12-2. Кабел на алатот	19-1. Преден штитник за раце
3-1. Завртка за дотерување	12-3. Продолжен кабел	19-2. Отклучи
4-1. Прилагодувачки панел	12-4. Приклучник и приклучок (обликот може да се разликува во зависност од државата)	19-3. Заклучи
5-1. Свездест лагер	13-1. Копче за забравување	20-1. Ниво на масло
6-1. Насочувачка шипка	13-2. Прекинувач	22-1. Назабен браник
6-2. Дупка	15-1. Капак за резервоар за масло	26-1. Место за пилевина
7-1. Кука	15-2. Врвка	29-1. Насока на паѓање на пилевината
7-2. Дупка	16-1. Разлабавете	29-2. Опасна зона
7-3. Чивија	16-2. Стегач	29-3. Испуст
9-1. Рачка	16-3. Завртка за прилагодување на синцирот	31-1. Должина на сечење
9-2. Преграда на свездестиот лагер	16-4. Насочувачка шипка	31-2. Растојание помеѓу работ на сечење и мерачот за длабочина
10-1. Разлабавете	16-5. Синцир на пилата	31-3. Минимум 3 мм
10-2. Стегач	17-1. Разлабавете	32-1. Агол на страничната плоча
10-3. Завртка за прилагодување на синцирот	17-2. Стегач	37-1. Жлеб за насочување масло
10-4. Насочувачка шипка	17-3. Прилагодувачки панел	37-2. Дупка за полнење масло
10-5. Синцир на пилата	17-4. Насочувачка шипка	38-1. Свездест лагер
11-1. Разлабавете	17-5. Синцир на пилата	39-1. Гранична ознака
11-2. Стегач	18-1. Преден штитник за раце	40-1. Капаче на држач на четкичка
11-3. Прилагодувачки панел	18-2. Заклучи	40-2. Одвртка
11-4. Насочувачка шипка		
11-5. Синцир на пилата		

ТЕХНИЧКИ ПОДАТОЦИ

Модел	UC3050A	UC3051A	UC3550A	UC3550AP	UC3551A	UC4050A	UC4051A	UC4550A	UC4551A	
Максимална брзина на синцирот	14,5 м/с (870 м/мин.)									
Стандардна насочувачка шипка	Должина на шипката	300 мм	350 мм			400 мм	450 мм			
	Должина на сечење	260 мм	320 мм			355 мм	415 мм			
	Вид насочувачка шипка	Водечка шипка на свездестиот лагер								
Стандарден синцир на пила	Вид	91PX								
	Наклон	3/8"								
	Број на погонски врски	46	52			56	62			
Препорачана должина на насочувачката шипка	300 - 450 мм									
Целосна должина (без насочувачката шипка)	505 мм									
Нето тежина	5,4 кг	5,5 кг	5,5 кг	5,6 кг	5,5 кг	5,6 кг	5,7 кг			
Продолжен гајтан (по избор)	DIN 57282/HO 7RN -F L=30 м макс.,3x1,5 мм ²									

- Поради постојаното истражување и развој, техничките податоци дадени тука може да се менуваат без известување.
- Спецификациите може да се разликуваат од земја до земја.
- Тежина според ЕРТА-Procedure 01/2003

END218-7

Симбол

Долунаведените симболи се користат кај опремата. Видете што значат пред да почнете да работите.



Прочитајте го упатството и следете ги предупредувањата и безбедносните упатства.











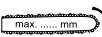






• Носете заштита за очи.



• Носете заштита за уши.



• ДВОЈНА ИЗОЛАЦИЈА

-  · Внимание: треба да бидете особено внимателни и претпазливи!
-  · Внимание: извлечете го веднаш главниот кабел ако кабелот е оштетен!
-  · Внимание: повратен удар!
-  · Заштитете го од дожд и од влага!
-  · Носете шлем, заштитни очила и заштита за уши!
-  · Носете заштитни ракавици!
-  · Извадете го електричен приклучокот за струја!
-  · Прва помош
-  · Максимална дозволена должина за сечење
-  · Правец на движење на синцирот
-  · Масло за синцирот
-  · Сопирачката на синцирот е ослободена
-  · Сопирачката на синцирот е активирана
-  · Забрането!
-  · Само за земјите од ЕУ
Не фрлајте ја електричната опрема заедно со домашниот отпад!
Земајќи ја предвид европската Директива за отпадна електрична и електронска опрема и нејзиното спроведување во согласност со националните закони, електричната опрема на крајот на работниот век мора да се собира одделно и да се врати во еколошки објект за рециклирање.

ENE085-1

Наменета употреба

Алатот е наменет за сечење на дрвена граѓа и цепаници.

ENF002-2

Напојување

Алатот треба да се поврзува само со напојување со напон како што е назначено на плочката и може да работи само на еднофазна наизменична струја. Алатот е двојно изолиран и може да се користи и со приклучоци што не се заземјени.

ENG905-1

Бучава

Типичната А-вредност за ниво на бучавата одредена според EN60745 изнесува:

- Ниво на звучниот притисок (L_{pA}): 90,8 дБ (А)
- Ниво на јачина на звукот (L_{WA}): 101,8 дБ (А)
- Отстапување (К): 2,5 дБ (А)

Носете штитници за ушите

ENG900-1

Вибрации

Вкупна вредност на вибрациите (векторска сума на три оски) одредена според EN60745:

- Работен режим: сечење дрво
- Ширење вибрации (a_n): 5,2 м/с²
- Отстапување (К): 1,5 м/с²

ENG901-1

- Номиналната јачина на вибрациите е измерена во согласност со стандардните методи за испитување и може да се користи за споредување на алати.
- Номиналната јачина на вибрациите може да се користи и како прелиминарна проценка за изложеност.

⚠ ПРЕДУПРЕДУВАЊЕ:

- Јачината на вибрациите при фактичкото користење на алатот може да се разликува од номиналната вредност, зависно од начинот на којшто се користи алатот.
- Погрижете се да ги утврдите безбедносните мерки за заштита на операторот врз основа на проценка на изложеноста при фактичките услови на употреба (земајќи ги предвид сите делови на работниот циклус, како периодите кога алатот е исклучен и кога работи во празен од, не само кога е активен).

ENH030-5

Само за земјите во Европа

Декларација за сообразност за ЕУ

Makita изјавува дека следната машина(и):

Ознака на машината:

Моторна пила

Модел бр./Тип: UC3050A, UC3550A, UC4050A, UC4550A, UC3051A, UC3551A, UC3550AP, UC4051A, UC4551A

Технички податоци: видете ја табелата „ТЕХНИЧКИ ПОДАТОЦИ“.

Усогласени се со следниве европски Директиви:

2000/14/EC, 2006/42/EC

Тие се произведени во согласност со следниве стандарди или стандардизирани документи:

EN60745

Сертификат на Е3 за испитување на типот бр.5514056,14005

Испитувањето на типот на Е3 во согласност со 2006/42/EC беше извршено од страна на:

DEKRA Testing and Certification GmbH

Enderstraße 92b

01277 Dresden

Germany

Идентификациски бр. 2140

Техничкото досие во согласност со 2006/42/EC е достапно преку:

Makita, Jan-Baptist Vinkstraat 2, 3070, Belgium

Постапката за оценување на усогласеноста што се бара со Директивата 2000/14/EC беше извршена во согласност со анекс V.

Измерено ниво на јачина на звукот: 101,9 дБ (A)

Гарантирано ниво на јачина на звукот: 103 дБ (A)

4.9.2014



000331

Yasushi Fukaya

Директор

Makita, Jan-Baptist Vinkstraat 2, 3070, Belgium

GEA010-1

Општи упатства за безбедност за електричните алати

⚠ ПРЕДУПРЕДУВАЊЕ Прочитајте ги сите безбедносни предупредувања и сите упатства. Ако не се почитуваат предупредувањата и упатствата, може да дојде до струен удар, пожар или тешки повреди.

Чувајте ги сите предупредувања и упатства за да можете повторно да ги прочитате.

GEB037-8

Безбедносни предупредувања за моторната пила

1. Чувајте ги сите делови на телото подалеку од моторната пила кога таа е вклучена. Пред да ја вклучите моторната пила, уверете се дека синџирот на пилата не допира ништо. Миг на невнимателност додека работите со моторна пила може да предизвика да дојде до заглавување на вашата облека или на дел од телото во моторната пила.
2. Секогаш држете ја моторната пила со десната рака на задната рачка и левата рака на предната рачка. Ако ја држите моторната пила обратно, се зголемува ризикот за здобивање физичка повреда, затоа никогаш не треба така да постапувате.
3. Електричниот алат држете го само за изолираните површини за држење за тоа што синџирот на пилата може да дојде во допир со скриени жици или со својот кабел. Синџирите на пилите кои ќе допрат жица под напон можат да пренесат струја на

изложените метални делови на електричниот алат и може да предизвикаат електричен удар кај лицето кое ракува со електричниот алат.

4. **Носете безбедносни очила и заштита за ушите.** Се препорачува дополнителна заштита за главата, нозете и стапалата. Соодветната заштитна облека може да ги намали личните повреди од летачките отпадоци или случајниот контакт со синџирот на пилата.
5. **Не ракувајте со моторна пила на дрво.** Ако ракувате со моторна пила додека сте на дрво, може да дојде до лична повреда.
6. **Секогаш заземајте правилна положба и ракувајте со моторната пила само кога стоите на фиксирана, безбедна, израмнета површина.** Лизгавите или нестабилните површини, на пример, скали, можат да предизвикаат да изгубите рамнотежа или контрола над моторната пила.
7. **Кога сечете гранка што е под тензија, бидете подготвени дека може да се врати.** Кога ќе се ослободи напнатоста во дрвото, еластичната гранка може да го удри лицето кое ракува со електричниот алат и/или да предизвика моторната пила да работи без контрола.
8. **Посебно внимавајте кога сечете грмушки и фиданки.** Тенкиот материјал може да го фати синџирот на пилата и да го повлече кон вас или да ја наруши вашата рамнотежа.
9. **Носете ја моторната пила држејќи ја за предната рачка.** Моторната пила треба да биде исклучена и подалеку од вашето тело. Кога ја превезувате или складирате моторната пила, секогаш ставете ја заштитната насочувачка шипка. Ако правилно ракувате со моторната пила, ќе се намали можноста случајно да дојдете во контакт со подвижниот синџир на пилата.
10. **Следете ги упатствата за подмачкување, затегнување на синџирот и за менување на додатните делови.** Ако синџирот е неправилно затегнат или подмачкан, може да се скрши или да ги зголеми шансите да се појави повратен удар.
11. **Рачките нека бидат суви, чисти и да нема на нив масло и средство за подмачкување.** Рачки на кои има средство за подмачкување маслосани рачки се лизгави и може да предизвикаат да се изгуби контрола.
12. **Сечете само дрво.** Не ја користете моторната пила за цели за кои не е наменета. На пример: не користете ја моторната пила за сечење пластика, цигли или градежен материјал што не е дрвен. Ако ја користите моторната пила за работи за кои таа не е наменета, може да се доведете во опасна ситуација.

13. **Причини за повратниот удар и што може да стори лицето што ракува со електричниот алат за да го спречи:**

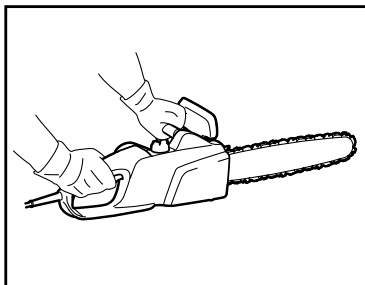
До повратен удар може да дојде кога насочувачката шипка ќе допре објект или кога дрвото ќе се затвори и ќе се заглави синџирот на моторот во пресекот.

Во некои случаи, допир со врвот може да предизвика ненадејна обратна реакција при што насочувачката шипка се измествува нагоре и оди наназад кон лицето кое ракува со електричниот алат. Ако синџирот на пилата се заглави на врвот на прачката за насочување, таа може нагло да се придвижи кон лицето што ракува со електричниот алат.

Секој од овие реакции може да предизвика да изгубите контрола над пилата, при што може да дојде до посериозни физички повреди. Не се потпирајте само на безбедносните уреди вградени во пилата. Како корисник на моторната пила, треба да преземете неколку чекори за да не дојде до повреда или да се повредите кога сечите.

Повратниот удар е резултат од неправилна употреба на алатот и/или неправилни работни постапки и услови и може да се избегне со преземање соодветни претпазни мерки, како што е наведено подолу.

- **Цврсто држете го електричниот алат, со палците и прстите околу рачките на моторната пила, со двете раце на пилата и поставете ги вашето тело и рака така што ќе можете да ги задржите повратните импулси.** Лицето што ракува со електричниот алат може да ги контролира повратните импулси, ако се преземат соодветни претпазни мерки. Не ја испуштајте моторната пила.



014316

- **Немојте да досегате и да сечете над висина на рамената.** Така ќе спречите ненамерно допирање на врвот и ќе имате подобра контрола над моторната пила во неочекувани ситуации.
- **Користете само шипки и синџири за замена кои ги препорачува производителот.** Несоодветните шипки и синџири за замена можат да предизвикаат да се скрши синџирот и/или да се појави повратен удар.

- **Следете ги упатствата на производителот за острење и за одржување на моторната пила.** Ако дојде до намалување на висината на мерачот на длабочина, може да се појави поголем повратен удар.

ДОПОЛНИТЕЛНИ БЕЗБЕДНОСНИ ПРАВИЛА

1. Прочитајте го упатството за да научите како работи моторната пила.
2. Пред да ја користите моторната пила првпат, најдете некој да ви покаже како се работи со неа. Ако не успеете да најдете некој, барем вежбајте сечејќи валчесто дрво на ногалки пред да почнете со работа.
3. Моторната пила не смеат да ја користат деца или млади лица под 18 години. Младите лица над 16 години може да работат со пилата кога се обучуваат под надзор на експерт.
4. Кога работите со моторната пила, мора да сте многу концентрирани. Ако не се чувствувате добро и здраво, не работете со пилата. Цело време работете смилено и внимателно.
5. Никогаш не работете под влијание на алкохол, дрога или лекови.

Правилна употреба

1. Моторната пила е наменета само за сечење дрво. Не користете ја за сечење на, на пример, пластика или порозен бетон.
2. Моторната пила користете ја само за работи опишани во упатството. **Не** ја користете, на пример, за сечење на жива ограда или за слични работи.
3. Моторната пила не смее за се користи за работа во шума, т.е. за сечење и кастрење на дрвја што се користат за градежен материјал. Кабелот на моторната пила не дозволува лицето што ракува со неа да биде доволно подвижен и безбеден за таков вид работа.
4. Моторната пила не е наменета за комерцијална употреба.
5. Не преоптоварувајте ја моторната пила.

Лична заштитна опрема

1. Облеката треба да е тесна, но сепак да овозможува комотно движење.
2. Носете ја наведената заштитна облека додека работите:
 - Тестиран безбедносен шлем, ако постои опасност да паѓаат гранки или слично;
 - Маска за лице или заштитни очила;
 - Соодветна заштита за уши (штитници за уши, чепови за уши по мерка или приспособливи). По барање, да се направи анализа на октавите за видот.
 - Ракавици од цврста кожа;

- Долги панталони произведени од цврст материјал;
- Заштитни работнички панталони и платно отпорно на сечење;
- Заштитни чевли или чизми со ѓон, челична предница и облога од патно отпорно на сечење;
- Маска за дишење, кога при работата се создава прав (на пример, сечење на суво дрво).

Заштита од електричен удар



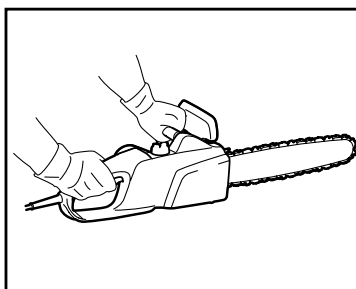
- Моторната пила не смее да се користи кога е врнежливо времето или во влажни средини бидејќи електричниот мотор не е водоотпорен.
1. Пилата вклучете ја само во електричен приклучоци во кои е проверена електричната струја. Проверете дали волтажата на системот одговара на плочката на која е назначено оптоварувањето. Проверете дали има осигурувач 16 А. Пилите што се користат на отворено мора да се поврзани со заштитен уред за диференцијална струја со тек кој не надминува 30 mA.
- Ако кабелот за поврзување е оштетен, веднаш извлекете го главниот кабел.



Безбедни работни практики

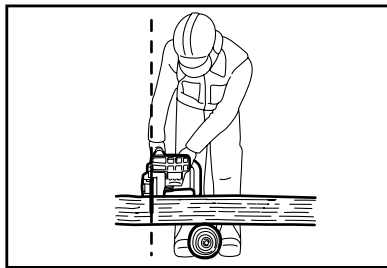
1. Пред да почнете да работите, проверете дали моторната пила е во соодветна работна состојба и дека условите се во согласност со безбедносните регулативи. Особено проверете дали:
 - сопирачката на синцирот работи правилно;
 - сопирачката за намалување работи правилно;
 - шипката и преградата на свездестиот лагер се правилно наместени;
 - Синцирот е наострен и затегнат во согласност со регулативите;
 - Главниот кабел и електричен приклучок се неоштетени;
- Видете го делот „ПРОВЕРКИ“.
2. Исто посебно проверете дали продолжниот кабел што се користи има соодветен попречен пресек (види „ТЕХНИЧКИ ПОДАТОЦИ“). Кога користите макара за кабел, кабелот одмотајте го целосно од макаратата. Кога ја користите пилата на отворено, проверете дали кабелот што се користи е наменет за отворен простор и дали е соодветно рангиран.
 3. Гајтанот тргнете го од површината за сечење и наместете го така што нема да се фати во гранки, или слично, додека сечете.
 4. Не работете со моторната пила во близина на запалив прав или гасови бидејќи моторот искри и претставува **ризик за експлозија**.

5. Работете само на земја и во правилна положба. Посветете особено внимание на пречките (на пример, кабелот) во работната површина. Особено внимавајте на места каде што површините може да се лизгави од влага, мраз, снег, сечено дрво или кори. Не стојте на скали или на дрвја кога ја користите пилата.
6. Особено внимавајте кога работите на падина; потенцијална опасност претставуваат трупци или гранки што можат да се истркалаат.
7. Никогаш не сечете на висина над рамената.
8. **Држете ја моторната пила со две раце кога ја вклучувате и ја користите.** Држете ја задната дршка со левата рака, а предната со левата. Држете ги рачките цврсто со палците. Шипката и синцирот не смеат да се допираат до каков било предмет кога е вклучена пилата.



014316

9. Исчистете ја површината што треба да се сече од вишок предмети, како на пример, песок, камења, шајки, жица, и т.н. Вишокот предмети можат да ги оштетат шипката и синцирот и можат да предизвикаат опасен повратен удар.
10. Особено внимавајте кога сечете во близина на огради од жица. Не дозволувајте пилата да навлезе во оградата, тоа може да предизвика повратен удар кај пилата.
11. Не дозволувајте да навлезе во земјата.
12. Парчињата дрво сечете ги поединечно, а не во куп или во стогови.
13. Избегнувајте да ја користите пилата за сечење на тенки гранки и корења, тие можат да се заплеткаат во моторната пила. Губењето на рамнотежа може да предизвика опасност.
14. Користите сигурна подлога (ногалки) кога сечете исечени трупци.
15. Не користете ја моторната пила за да тргнете или отстранете парчиња дрво или други предмети.
16. Водете ја моторната пила така што ниеден дел од вашето тело нема да биде на патеката на синцирот на пилата (видете ја сликата).

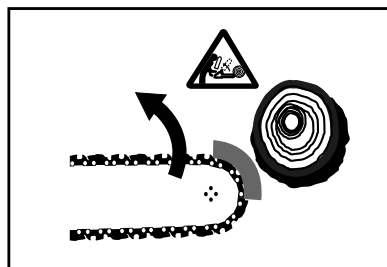


006909

17. Кога се движите наоколу помеѓу две користења на пилата, активирајте ја сопирачката на синџирот за да не се вклучи ненамерно синџирот. Држете ја моторната пила за предната рачка кога ја носите и држете ги прстите подалеку од прекинувачот.
18. Извлечете го главниот кабел кога правите пауза или кога ја оставате моторната пила без надзор. Оставете ја моторната пила на место на кое не може да предизвика опасност.

Повратен удар

1. Може да се појави повратен удар кој може да предизвика опасност додека работите со моторната пила. Повратен удар се јавува кога врвот на шипката (особено погорната четвртина) ќе допре дрво или друг цврст предмет. Тој може да предизвика моторната пила да се придвижи во правецот на лицето што ракува со неа.

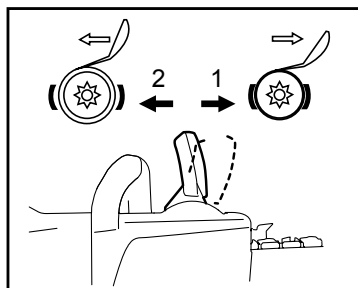


006919

2. За да избегнете повратен удар, внимавајте на следново:
 - Никогаш не почнувајте да сечете со врвот на шипката.
 - Никогаш не користете го врвот на шипката за сечење. Особено внимавајте кога продолжувате да сечете веќе започнато парче.
 - Почнете да сечете додека е вклучен синџирот.
 - Секогаш правилно острете го синџирот. Особено, поставувајте го мерачот за длабочина на точната височина.
 - Никогаш не се обидувајте да пресечете неколку гранки истовремено.
 - Кога кастрите, внимавајте шипката да не дојде во допир со другите гранки.
 - Кога сечете трупци, држете се настрана од околните стебла. Секогаш внимавајте на врвот на шипката.
 - Користете ногалки.

Безбедносни функции

1. Секогаш проверувајте дали работат безбедносните одлики пред да почнете да работите. Не користете ја моторната пила ако безбедносните одлики не работат исправно.
- **Сопирачка за синџирот:**
Моторната пила е опремена со сопирачка за синџирот што го сопира синџирот на пилата за дел од секунда. Се активира кога заштитната преграда за раце ќе се потурне напред. Тогаш, моторната пила застанува по 0,15 секунди, а прекинува доводот на струја до моторот.



014317

1. Вклучена кочница за ланец
2. Исклучена кочница за ланец

- **Сопирачката за намалување:**
Моторната пила е опремена со сопирачка за намалување што веднаш го сопира синџирот на пилата кога ќе се пушти сопирачката ВКЛУЧЕНО/ИСКЛУЧЕНО. Ова го спречува синџирот на пилата да продолжи да се движи кога е исклучен и да претставува опасност.
- **Предните и задните штитници за рацете** го заштитуваат корисникот од повреди од парчиња дрво што можат да бидат придвижени наназад, или од скршен синџир на пилата.
- **Блокирач на активирачот** спречува моторната пила да се вклучи случајно.
- **Мрежата за синџирот** го штити лицето што ракува со електричниот алат од физички повреди ако синџирот скокне или се скрши.

Превоз и складирање



- Кога моторната пила не се користи или кога се транспортира, извлечете го електричниот приклучок и наместете го капакот на насочувачката шипка испорачан со пилата. Никогаш не носете ја и не транспортирајте ја пилата додека се движи синџирот на пилата.
1. Кога ја носите моторната пила, држете ја само за предната рачка, со шипката свртена кон назад.
 2. Моторната пила чувајте ја во безбедна, сува и заклучена соба, подалеку од деца. Не чувајте ја моторната пила надвор.

ОДРЖУВАЊЕ

1. Извлечете го електричниот приклучок од птекерот пред да полнете да го прилагодувате или одржувате електричниот алат.
2. Редовно проверувајте дали изолацијата на кабелот за струја е оштетена.
3. Редовно чистете ја моторната пила.
4. Редовно проверувајте дали изолацијата на кабелот за струја е оштетена.
5. Не користете ја пилата ако не функционира правилно прекинувачот. Поправете ја како што треба.
6. Во ниеден случај не треба да се изменува моторната пила. Тоа би претставувало ризик за вашата безбедност.
7. Не изведувајте работи за одржување и поправка што не се опишани во ова упатство за користење. Сите други работи мора да се извршуваат од страна на овластени сервисни центри.
8. Користете само оригинални резервни делови и додатоци наменети за вашиот модел на пила. Користењето други делови го зголемува ризикот од незгода.
9. Ние не прифаќаме никаква одговорност за незгоди или штети ако се користат неодобрени шипки, синџири на пилата или други резервни делови или додатоци.

Прва помош



- Не работете сами. Секогаш работете доволно близу до некое лице што ќе ве чуе ако викнете.
1. Секогаш имајте кутија за прва помош во близина. Веднаш заменете ги сите предмети земени оттаму.
 2. Доколку ви треба помош во случај на незгода, наведете:
 - каде се случила незгодата,
 - што се случило,
 - колку лица се повредени,
 - какви повреди имаат,
 - како и кој ја пријавува незгодата.

НАПОМЕНА:

Лицата со слаба циркулација што се изложени на претерани вибрации, можат да се здобијат со повреди на крвните садови и на нервниот систем. Вибрациите можат да го предизвикаат следново на прстите, рацете или зглобовите: „Заспивање“ (отрпнување), треперење, болка, бодежи, менување на бојата на кожата и на кожата. **Ако се појави некој од овие симптоми, одете на лекар!**

ЧУВАЈТЕ ГО УПАТСТВОТО.

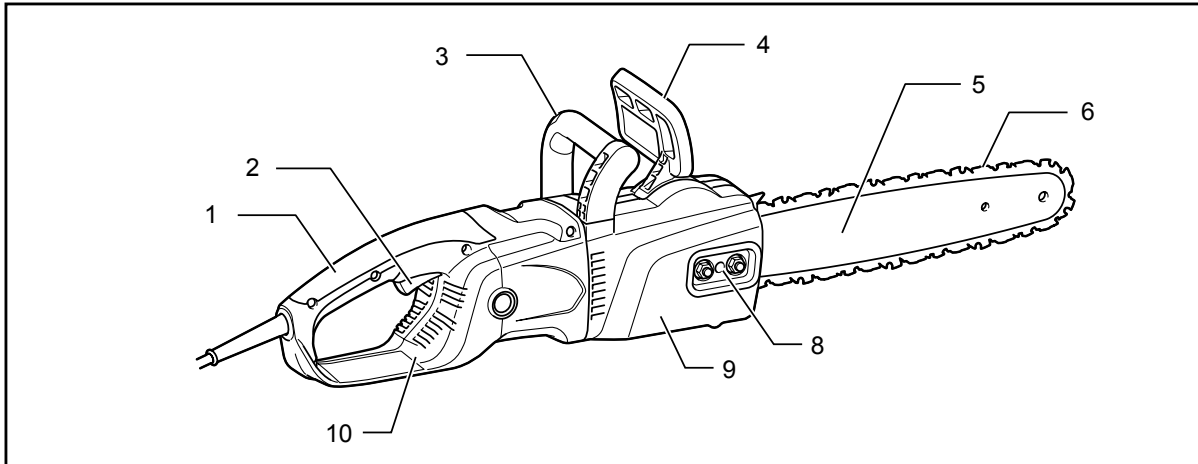
⚠ ПРЕДУПРЕДУВАЊЕ:

НЕ ДОЗВОЛУВАЈТЕ удобноста или запознаеноста со производот (стекната со подолга употреба) да ве наведе да не се придржувате строго до безбедносните правила за односниот производ. **ЗЛОУПОТРЕБАТА** или **непочитувањето на безбедносните правила наведени во ова упатство може да предизвикаат тешки телесни повреди.**

ОЗНАЧУВАЊЕ НА ДЕЛОВИТЕ

(Модел со навртка: преградата на свездестиот лагер за стега со навртки).

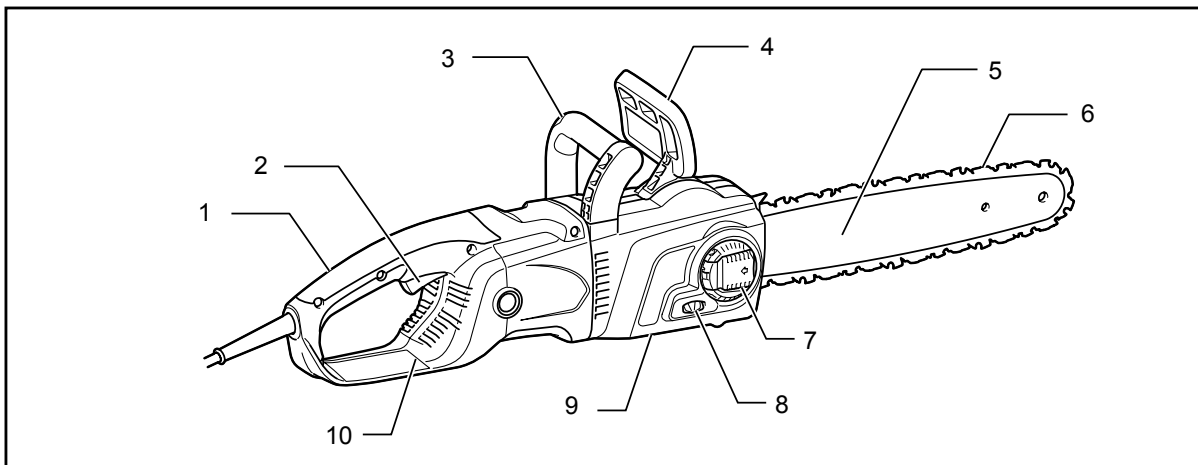
За модел UC3050A, UC3550A, UC3550AP, UC4050A, UC4550A



014372

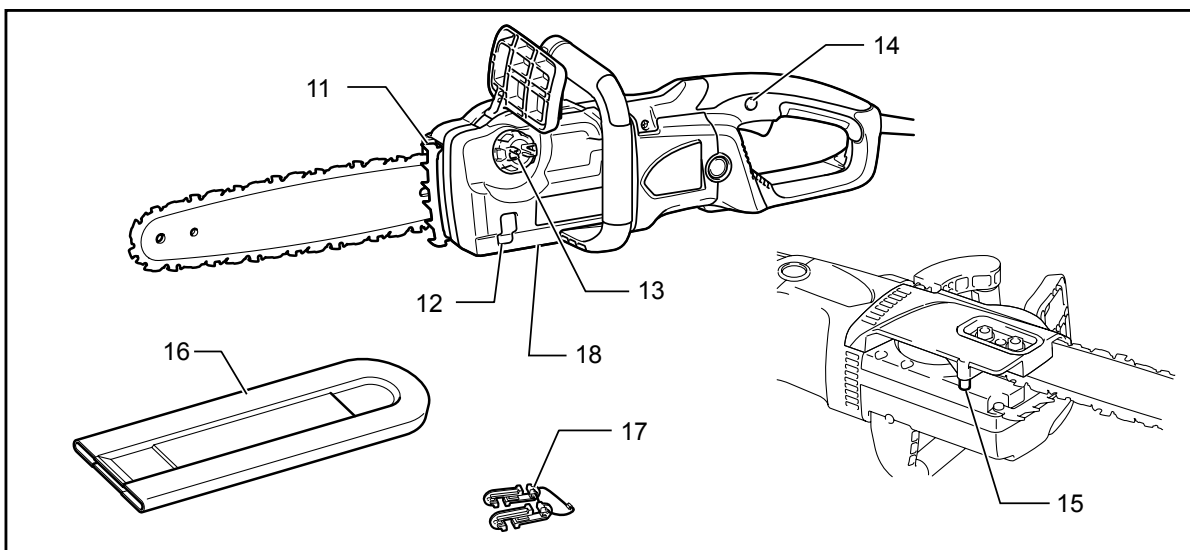
(Модел со рачка: преградата на свездестиот лагер за стега со рачката).

За модел UC3051A, UC3551A, UC4051A, UC4551A



014373

(За сите модели)



014514

1	Задна рачка	7	Рачка	13	Капак за резервоар за масло
2	Прекинувач	8	Завртка за прилагодување/бирач	14	Копче за забравување
3	Предна рачка	9	Преграда на ѕвездестиот лагер	15	Насочувач на ланец
4	Преден штитник за раце	10	Заден штитник за раце	16	Капак на насочувачката шипка
5	Насочувачка шипка	11	Назабен браник	17	Закачалка за кабел
6	Синцир на пилата	12	Ниво на масло	18	Завртка за прилагодување за пумпата за масло (од долната страна)

014375

СОСТАВУВАЊЕ

⚠ ВНИМАНИЕ:

- Пред да работите нешто на алатот, проверете дали е исклучен и откачен од струја.

Вадење или монтирање на преградата на ѕвездестиот лагер

За да ја извадите преградата на ѕвездестиот лагер, извршете ги следниве чекори:

(За модели со навртки)

Слика1

Олабавете ја навртката.

(За модели со рачка)

Слика2

Притиснете го и целосно отворете го лостот додека не запре.

Свртете ја рачката налево.

За да ја монтирате преградата на ѕвездестиот лагер, извршете ги горе-наведените чекори по обратен редослед.

Монтирање или демонтирање на синцирот на пилата

⚠ ВНИМАНИЕ:

- Секогаш носете ракавици кога го монтирате или отстранувате синцирот на пилата.

За да го извадите синцирот на пилата, извршете ги следниве чекори:

1. Олабавете ја преградата на ѕвездестиот лагер.
2. (За модели со навртки) Вртете ја завртката за прилагодување на синцирот налево за да ја олабавите затегнатоста на синцирот на пилата. (За модели со рачка) Вртете го бирачот за прилагодување во насока „-“ за да ја олабавите затегнатоста на синцирот на пилата.

Слика3

Слика4

3. Извадете ја преградата на ѕвездестиот лагер.
4. Отстранете ги синцирот на пилата и насочувачката шипка од моторната пила.

За да го монтирате синцирот на пилата, извршете ги следниве чекори:

5. Уверете се во насоката на синцирот. Ознаката на стрелка на синцирот ја покажува насоката на синцирот.

Слика5

6. Ставете го едниот крај од синџирот на пилата на горниот дел од насочувачката шипка, а другиот крај околу свездестиот лагер.
7. Поставете ја насочувачката шипка на моторната пила.
8. Порамнете ја страната под тензија со дупчето на насочувачката шипка.

Слика6

9. Држете ја насочувачката шипка и вртете ја завртката за прилагодување на синџирот за да ја прилагодите затегнатоста на синџирот на пилата.
10. Поставете ја преградата на свездестиот лагер така што закачалките да лежат долж дупчињата и чепчето да влезе во соодветниот дел од преградата на свездестиот лагер.

Слика7

11. Стегнете ја преградата на свездестиот лагер.

Слика8

Слика9

Прилагодување на затегнатоста на синџирот на пилата

Синџирот на пилата може да се разлабави по многу часови употреба. Повремено проверувајте колку е затегната пилата пред употреба.

1. Малку олабавете ја преградата на свездестиот лагер.
2. Подигнете го малку врвот на насочувачката шипка.
3. Вртете ја завртката за прилагодување / бирачот за да ја прилагодите затегнатоста на синџирот на пилата.

Слика10

Слика11

4. Затегнувајте го синџирот на пилата се додека долната страна синџирот на пилата не влезе во шината на шипката за водење (видете го кругот).
5. Продолжете лабаво да ја држите насочувачката шипка, стегнете ја преградата на свездестиот лагер откако ќе ја прилагодите затегнатоста на синџирот. Осигурете се дека синџирот на пилата не е лабав од долната страна.

Осигурете се дека синџирот на пилата лежи точно спроти долната страна од шипката.

⚠ВНИМАНИЕ:

- Не затегнувајте го синџирот на пилата премногу. Преголема затегнатост на синџирот на пилата може да предизвика да се скрши синџирот на пилата, да ја изаби насочувачката шипка и да ја скрши тркалото за прилагодување.
- Синџирот што е премногу олабавен може да се откачи од шипката и затоа претставува ризик од незгода.

- Извршете ја постапката за монтирање или демонтирање на синџирот на пилата на чисто место, без прав и сл.

Активирање на продолжниот кабел

⚠ВНИМАНИЕ:

- Уверете се дека продолжниот кабел е откачен од приклучокот за електрична енергија.

Слика12

Кога го активирате продолжниот кабел, прицврстете го на кабелот од моторната пила со закачалката за кабел.

Закачете ја закачалката за кабел на растојание од околу 100 - 200 мм од конекторот на продолжниот кабел. Тоа помага да се спречи случајно откачување на кабелот.

РАБОТЕЊЕ

⚠ВНИМАНИЕ:

- Цврсто држете го алатот со десната рака на задната рачка и со левата на предната рачка кога работите со алатот.

Вклучување

Слика13

⚠ВНИМАНИЕ:

- Пред секоја проверка на функцијата на прекинувачот, проверувајте дали алтот е исклучен и откачен од изворот на напојување.
- Пред да го приклучите кабелот во мрежата, проверете го прекинувачот дали функционира правилно и дали се враќа во положбата „OFF“ кога ќе се отпушти.

За да се спречи случајно повлекување на прекинувачот, вградено е копче за забравување.

За да го стартувате алатот, притиснете го копчето за забравување и повлечете го прекинувачот. Отпуштете го прекинувачот за исклучување на алатот.

Подмачкување

⚠ВНИМАНИЕ:

- Секогаш проверувајте дали алатот е исклучен и откачен од напојувањето пред да го подмачкувате синџирот на пилата.

Слика14

Подмачкајте ги синџирот на пилата и шипката со биолошки-разградливо масло за синџир на пила со агенс за адхезија. Агенсот за адхезија во маслото за синџир на пила спречува маслото премногу брзо да падне од пилата. Не треба да се користат минерални масла бидејќи се штетни за животната средина.

⚠ВНИМАНИЕ:

- Не дозволувајте маслото да дојде во допир со кожата и со очите. Ако дојде во допир со очите, може да предизвика иритација. Во случај на контакт со очите, веднаш измијте го зафатеното око со чиста вода и веднаш консултирајте лекар.
- Никогаш не користете отпадно масло. Отпадното масло содржи канцерогени супстанции. Загадувачите во отпадното масло предизвикуваат забрзано абеење на пумпата за масло, шипката и синџирот. Отпадното масло е штетно за околината.
- Кога за првпат ја полните моторната пила со масло за синџирот, или го полните резервоарот откако тој целосно ќе се испразни, додајте масло до долниот раб на грлото на полначот. Инаку, може да има проблеми со протокот на масло.

Слика15

За да наполните масло, извршете ги следниве чекори:

1. Исчистете ја внимателно областа околу капачето на полначот на масло во целост за да не влезе нечистотија во резервоарот за масло.
2. Одвртете го капакот на полначот за масло и додајте масло до долниот раб на грлото на полначот.
3. Завртете го цврсто капакот на полначот на масло на неговото место.
4. Внимателно избришете го истуреното масло за пила.

НАПОМЕНА:

- Кога се користи првпат моторната пила, може да требаат две минути за да почне маслото за синџирот на пилата да почне да го подмачкува механизмот на пилата. Оставете ја пилата да работи без оптеретување сè додека не се случи тој момент (види, „ПРОВЕРКИ“).

ПРОВЕРКИ

Пред да почнете со работа, направете ги следниве проверки:

проверете ја затегнатоста на синџирот

⚠ПРЕДУПРЕДУВАЊЕ:

- Секогаш вадете го кабелот за струја пред да ја проверувате затегнатоста на синџирот и носете безбедносни ракавици.

(За модели со навртки)

Слика16

(За модели со рачка)

Слика17

Осигурете се дека синџирот на пилата лежи точно спроти долната страна од шипката (видете го кругот). Често проверувајте ја затегнатоста на синџирот бидејќи новите синџири може да се издолжат.

Преголема затегнатост на синџирот на пилата може да предизвика да се скрши синџирот на пилата, да ја изаби насочувачката шипка и да ја скрши тркалото за прилагодување.

Синџирот што е премногу олабавен може да се откачи од шипката и затоа претставува ризик од незгода.

Ако синџирот е премногу лабав: Консултирајте го делот со наслов „Прилагодување на затегнатоста на синџирот на пилата“ и повторно прилагодете ја затегнатоста на синџирот на пилата.

Проверување на работењето на прекинувачот

⚠ВНИМАНИЕ:

Пред да го приклучите кабелот во мрежата, проверете го прекинувачот дали функционира правилно и дали се враќа во положбата „OFF“ кога ќе се отпушти.

За да се спречи случајно повлекување на прекинувачот, вградено е копче за забравување.

За да го стартувате алатот, притиснете го копчето за забравување и повлечете го прекинувачот. Отпуштете го прекинувачот за исклучување на алатот.

Не повлекувајте го прекинувачот силно без да го притиснете копчето за забравување. На тој начин може да се скрши прекинувачот.

Проверување на затегнатоста на синџирот

НАПОМЕНА:

- Ако моторната пила не стартува, проверете дали е ослободена сопирачката на синџирот. За да ја ослободите сопирачката на синџирот, повлечете го штитникот за рака цврсто наназад додека не почувствувате дека се активирал.

Слика18

Слика19

Проверете ја сопирачката на синџирот на следниот начин:

1. Држете ја моторната пила со двете раце кога ја вклучувате. Држете ја задната рачка со десната рака и предната рачка со левата рака. Осигурете се шипката и синџирот да не се во допир со никакви предмети.
2. Прво притиснете го копчето за заклучување, а потоа активирачот на прекинувачот. Синџирот на пилата веднаш ќе тргне.
3. Притиснете го предниот штитник за рака само со задниот дел на раката. Осигурете се дека синџирот на пилата веднаш запира.

⚠ВНИМАНИЕ:

- Ако синцирот на пилата не запре веднаш, не употребувајте ја пилата под никакви околности. Консултирајте овластен сервисен центар на Makita.

Проверување на сопирачката за намалување

вклучете ја моторната пила.

Целосно отпуштете го прекинувачот. Осигурете се дека синцирот на пилата запира во рок од една секунда.

⚠ВНИМАНИЕ:

- Ако синцирот на пилата не запре веднаш, не употребувајте ја пилата под никакви околности. Консултирајте овластен сервисен центар на Makita.

Проверување на подмачкувачот на синцирот

Пред да почнете до работа, проверете го нивото на масло во резервоарот и протокот на масло.

Нивото на масло може да се види низ стаклото за ниво на масло прикажано на сликата.

Слика20

Проверете го протокот на масло на следниов начин:

Вклучете ја моторната пила.

Кога работи пилата, држете го синцирот на пилата околу 15 cm над стеблото на дрвото или земјата. Ако подмачкувањето е соодветно, распрскувачот на масло ќе остави мал слој на масло.

Внимавајте на правецот на ветрот и не изложувајте се непотребно на млазот масло.

⚠ВНИМАНИЕ:

- Ако не се направи слој масло, не користете ја пилата. Инаку, ќе се намали животниот век на синцирот. Проверете го нивото на масло. Проверете го жлебот на хранителот на маслото и дупката на хранителот на масло во шипката (види, „ОДРЖУВАЊЕ“).

Прилагодување на подмачкувањето на синцирот

Слика21

Може да ја прилагодите стапката на проток на пумпата за масло со завртката за прилагодување.

РАБОТЕЊЕ СО МОТОРНАТА ПИЛА

⚠ВНИМАНИЕ:

- Секогаш користете ги предната рачка и задната рачка, и цврсто држете го алатот и за предната рачка и за задната рачка во текот на работата.
- Секогаш прицврстувајте го дрвениот материјал што треба да се сече, бидејќи во спротивно, отсечените делчиња може да предизвикаат телесна повреда.

Сечење трупци

Слика22

За сечење трупци, потпрете го назабениот браник прикажан на сликата, на дрвото што сакате да го сечете.

Додека работи синцирот на пилата, засечете го дрвото користејќи ја задната рачка за да ја подигнете пилата, а предната рачка за да ја водите. Користете го назабениот браник како насочувач.

Продолжете го сечењето со мал притисок на предната рачка, лесно повлекувајќи ја пилата наназад. Поместете го назабениот браник подолу на дрвениот материјал и повторно подигнете ја предната рачка.

Кога правите повеќе пресеци, исклучувајте ја моторната пила меѓу пресеците.

⚠ВНИМАНИЕ:

- Ако горниот раб на шипката се користи за сечење, моторната пила може да се придвижи кон вас, ако се заглави синцирот. Заради тоа, сечете со долниот раб, за пилата да се придвижи во обратен правец од вашето тело.

Слика23

Кога сечете дрво под тензија, почнете од притиснатата страна прво (А). Потоа последниот пресек направете го на страната под тензија (В). Така нема да се заглави шипката.

Слика24

Кастрење

⚠ВНИМАНИЕ:

- Кастрењето може да го прават само обучени лица. Постои ризик од повртен удар.

При кастрење, потпрете ја моторната пила на трупот ако е можно. Не сечете со врвот на шипката, тоа може да биде ризик од повратен удар.

Посветете особено внимание на гранките под тензија. Не сечете одоздола гранки што не се потпрени.

Не стојте на отсечениот трупец при кастрење.

Длабење и сечење во правец на структурата на дрвото

⚠ВНИМАНИЕ:

- Длабењето и сечењето треба да го изведуваат само лица што се посебно обучени за тоа. Можноста да има повратен удар е ризик од повреда.

Слика25

Кога сечете во правец на структурата на, сечете под што е можно потап агол. Изведувајте го сечењето што е можно повнимателно бидејќи не може да е користи назабениот браник.

Отсекување

⚠ВНИМАНИЕ:

- Отсекувањето може да го прават само обучени лица. Тоа е опасна работа.

Почитувајте ги локалните регулативи ако сакате да отсечете дрво.

Слика26

- Пред да почнете со отсекување, проверете дали:
 - (1) само лица вклучени во операцијата на отсекување се во близина;
 - (2) вклучените лица имаат непречен пат за повлекување кој е околу 45 ° од двете страни на оската на отсечокот; имајте го предвид дополнителниот ризик од спрепнување од електрични кабли;
 - (3) на основата на трупецот да нема туѓи тела, корења и гранки;
 - (4) да нема лица или објекти на растојание од 2 1/2 должини на дрво во правецот во кој ќе падне дрвото.
- За секое дрво имајте го предвид следново:
 - правецот на наклонување;
 - откачени или суви гранки;
 - висината на дрвото;
 - природната издаденост;
 - дали дрвото е скапано или не.
- Размислете за брзината на ветерот и за правецот. Не отсекувајте ако има силен налет на ветар.
- Поткастрување на изростоци на корења: почнете од најголемите изростоци. Прво направете вертикален пресек, потоа, хоризонтален.

Слика27

- Сечење на спој: Спојот го одредува правецот во кој ќе падне дрвото и го насочува. Се прави на страната на која треба да падне дрвото. Пресечете го спојот што е можно поблиску до земјата. Прво направете хоризонтален пресек 1/5 - 1/3 од дијаметарот на трупецот. Не го правете спојот премногу голем. Потоа направете дијагонален пресек.
- Поправете ја спојката по целата нејзина должина.

Слика28

- Задниот дел нека биде повисок од основниот пресек на спојот. Задниот пресек мора да биде хоризонтален. Оставете околу 1/10 од дијаметарот на трупецот помеѓу задниот пресек и спојката.

Дрвените влакна во непресечениот дел на трупецот имаат улога на ограда. Не пресекувајте право низ влакната во ниеден случај, затоа што инаку дрвото ќе падне непроверено. Навремено ставете клинови во задниот пресек.

- Може да се користат само пластични или алуминиумски клинови за да остане отворен задниот пресек. Забрането е да се користат челични клинови.
- Стојте настрана од дрво кое паѓа. Површината зад дрвото што паѓа нека биде чиста до агол од 45 ° на двете страни од оската на дрвото (види ја сликата „површина на делот за отсекување“). Внимавајте на гранките што паѓаат.
- Треба да се испланира и да исчисти соодветна патека за беганье, пред да се почне со сечењето. Патекаста треба да се шири назад и дијагонално зад очекуваната линија на паѓање, како што е илустрирано на сликата.

Слика29

ОДРЖУВАЊЕ

⚠ВНИМАНИЕ:

- Пред секоја проверка или одржување, проверете дали алатот е исклучен и откачен од струја.
- Секогаш носете ракавици кога проверувате или одржувате.
- За чистење, не користете нафта, бензин, разредувач, алкохол или слично. Тие средства ја вадат бојата и може да предизвикаат деформации или пукнатини.

Одржувајте го алатот како што е опишано и редовно. Барањата според гаранциите се прифаќаат само ако овие операции се извршени редовно и правилно. Корисникот смее да извршува одржување само како што е опишано во ова упатство за користење. Сите други работи мора да се извршуваат од страна на овластени сервисни центри на MAKITA.

Чистење на моторната пила

Чистете ја редовно пилата со чиста крпа. Особено рачките не смеат да бидат маслосани.

Проверување на пластичното куќиште

Редовно, визуелно проверувајте ги сите делови на куќиштето. Ако има оштетени делови, веднаш нарачајте нивна соодветна поправка од страна на овластени сервисни центри на MAKITA.

Острење на синцирот на пилата

⚠ВНИМАНИЕ:

- Секогаш исклучете го главниот кабел и носете заштитни ракавици кога работите на синцирот на пилата.

Слика30

Острете го синцирот на пилата кога:

- се прават брашнести струготини кога се сече мокро дрво;
- синцирот ќе навлезе во дрвото со тешкотии, дури и кога ќе се примени голем притисок;

- очигледно е оштетена ивицата за сечење;
- Пилата влече или кон лево или кон десно во дрвото. Причината за ваквото однесување е нерамномерното острење на синџирот на пилата или оштетување само на едната страна.

Острете го синџирот на пилата често, но секогаш отстранувајте само мал дел од материјалот.

Обично, доволни се две или три движења со турпијата за рутинско острење. Откако неколкупати одново сте го изостриле синџирот на пилата, однесете ја на острење во овластен сервисен центар на MAKITA.

Критериуми за острење:

- Должините на сите секачи мора да се подеднакви. Секачите со различна должина спречуваат синџирот да се движи лесно и може да предизвикаат да се скине синџирот.
- Не го острете синџирот кога минимална должина на сечилото ќе достигне 3 мм. Тогаш мора да се монтира нов синџир.
- Оддалеченоста помеѓу мерењето на длабочината (заоблен врв) и работ на сечилото ја определува дебелината на парчето.
- Најдобри резултати со сечењето се постигнуваат кога меѓу работ за сечење и мерачот за длабочина растојанието е следново.
Сечило на синџирот 91PX: 0,65 мм

Слика31

⚠ ПРЕДУПРЕДУВАЊЕ:

- Ако оддалеченоста е поголема, се зголемува ризикот од повратен удар.
- Аголот на острење од 30 ° мора да биде ист на сите секачи. Ако аглите се различни, синџирот се движи грубо и нерамномерно, има повеќе абење и може да се скине.
- Длабочината на пенетрацијата на кружната турпија го определува аголот на страничната плочка на сечилото. Ако наведената турпија се користи правилно, автоматски ќе се добие точниот агол на страничната плочка.
- Аглите на страничната плочка за секој синџир на пила се следниве:
Сечило на синџирот 91PX: 80 °

Слика32

Турпија и насочување на турпијата

- Користете специјална кружна турпија (опционален додаток) за синџири на пили за острење на синџирот. Нормалните кружни турпији не се адекватни.
- Дијаметарот на кружната турпија за секој синџир на пила е следниот:
Сечило на синџирот 91PX: 4,0 мм

- Турпијата треба да го зафати материјалот само во работниот од со движење напред. Кренете ја турпијата од материјалот при движењето назазад.
- Прво изострете го најкраткиот секач. Потоа, должината на најкраткиот секач станува репер за сите други секачи на синџирот на пилата.

Слика33

- Водете ја турпијата како што е прикажано на сликата.
- Турпијата може да се води полесно ако има држач за турпијата (додаток по избор). Држачот за турпијата има ознаки за правилниот агол на острење од 30 ° (распоредете ги ознаките паралелно на синџирот на пилата) и ја ограничува длабочината на пенетрацијата (до 4/5 од дијаметарот на турпијата).

Слика34

- По острењето на синџирот, проверете ја висината на мерачот на длабочина со алатот за мерење на синџирот (додаток по избор).

Слика35

- Отстранете ги сите материјали што се испакнати, независно колку се малечки, со посебна плоската турпија (додаток по избор).
- Повторно заоблете го предниот дел на мерачот на длабочината.

Чистење на шипката за водење и подмачкување на повратниот ѕвездест лагер

⚠ ВНИМАНИЕ:

- секогаш носете безбедносни ракавици за оваа задача. Боцките претставуваат ризик од повреда.

Слика36

Редовно проверувајте ги подвижните површини на шипката за оштетувања. Чистете со соодветна алатка и отстранете ги боцките, ако има потреба. Ако моторната пила се користи често, подмачкувајте го повратниот ѕвездест лагер најмалку еднаш неделно. Пред да додадете средство за подмачкување, внимателно исчистете ја дупката од 2 мм на врвот на шипката за водење, потоа ставете мало количество повеќеенаменско масло за подмачкување (додаток по избор) во дупката.

Водич за чистење на маслото

Слика37

- Редовно чистете го жлебот на хранителот на маслото и дупката на хранителот на масло во шипката.

Нови синџири за пила

Користете два или три синџира за пила наизменично, за синџирот на пилата, ѕвездестиот лагер и подвижните површини на шипката да се абат рамномерно.

Превртете ја шипката кога го менувате синџирот за жлебот на шипката да се аби рамномерно.

⚠ВНИМАНИЕ:

- Користете синџири и шипки одобрени за овој модел на пила (видете „ТЕХНИЧКИ ПОДАТОЦИ“).

Слика38

Пред да го монтирате новиот синџир на пилата, проверете во која состојба е свездестиот лагер.

⚠ВНИМАНИЕ:

- Изабениот свездест лагер ќе го оштети новиот синџир на пилата. Заменете го свездестиот лагер во тој случај.

Секогаш монтирајте нов прстен за заклучување кога го заменуваат свездестиот лагер.

Одржување на синџирот и на сопирачката за намалување

Системите за сопирање се многу важен дел од безбедноста. Како и секој друг компонент на моторната пила, тие се предмет на одреден степен на абелење. Мора редовно да се проверуваат од страна на овластени сервисни центри на MAKITA. Оваа мерка е за ваша сопствена безбедност.

Замена на јагленските четкички

Слика39

Редовно вадете ги и проверувајте ги јагленските четкички. Заменете ги кога ќе се истрошат до граничната ознака. Одржувајте ги четкичките чисти за да влегуваат во држачите непречено. Двете јагленски четкички треба да се заменат истовремено. Користете само идентични јагленски четкички.

Слика40

Извадете ги капачињата на држачите на четкичките со одвртка. Извадете ги истрошените јагленски честички, ставете ги новите и стегнете ги капачињата на држачите.

По замената на четките, поврзете го алатот во извор на електрична енергија, вклучете го и оставете го да работи без оптоварување околу 10 минути.

Алатка за складирање

Биоразградливото масло за синџир за пила може да се чува само определено време. По две години по производството, биолошките масла добиваат адхезионен квалитет и ги оштетуваат пумпата за масло и компонентите во системот за подмачкување.

- Пред да ја ставите во мирување на подолго време моторната пила, испразнете го резервоарот за масло и наполнете го со мали количества моторно масло (SAE 30).
- Вклучете ја накратко моторната пила за да ги измиете остатоците биолошко масло од резервоарот, системот за подмачкување и механизмот на моторната пила.

НАПОМЕНА:

- Кога моторната пила се земе од сервис, мали количества масло за синџирот ќе истекуваат од неа извесно време потоа. Ова е нормално и не е знак на дефект.

Складирајте ја моторната пила на соодветна површина.

Пред да почнете повторно да ја користите моторната пила, наполнете ја со ново масло за синџир на пила „БИОТОП“.

За да се одржи БЕЗБЕДНОСТА и СИГУРНОСТА на производот, поправките, одржувањата или дотерувањата треба да се вршат во овластени сервисни центри на Makita, секогаш со резервни делови од Makita.

РЕШАВАЊЕ ПРОБЛЕМИ

Пред да нарачате поправка, прво проверете самите. Ако пронајдете проблем што не е опишан во упатството, не обидувајте се да го расклопите алатот. Наместо тоа, однесете го уредот во некој од овластените сервисни центри на Makita.

Статус на дефектот	Можна причина	Решение
Моторната пила не стартува.	Нема напојување со електрична енергија.	Приклучете во извор на напојување. Проверете го напојувањето со електрична енергија.
	Кабелот е неисправен.	Веднаш запрете со користење на алатот и побарајте помош од вашиот локален, овластен сервисен центар.
	Дефект на алатот.	Веднаш запрете со користење на алатот и побарајте помош од вашиот локален, овластен сервисен центар.
Синцирот не се движи.	Сопирачката на синцирот е активирана.	Ослободете ја сопирачката на синцирот.
Незадоволителна изведба.	Јагленските четчиња се изабени.	Нарачајте поправка кај вашиот локален, овластен сервисен центар.
Нема масло на синцирот.	Резервоар за масло е празен.	Наполнете го резервоарот за масло.
	Жлебот за водење на маслото е нечист.	Исчистете го жлебот.
	Завртката за прилагодување на пумпата за масло е неправилно прилагодена.	Прилагодете ја стапката на проток на пумпата за масло.
Синцирот не запира дури и по активирање на сопирачката на синцирот.	Лентата на сопирачката е изабена.	Веднаш запрете со користење на алатот и побарајте помош од вашиот локален, овластен сервисен центар.
Алатот вибрира абнормално.	Олабавете ја насочувачката шипка или синцирот на пилата.	Прилагодете ја затегнатоста на насочувачката шипка и синцирот на пилата.
	Дефект на алатот.	Веднаш запрете со користење на алатот и побарајте помош од вашиот локален, овластен сервисен центар.

014314

ОПЦИОНАЛЕН ПРИБОР

ВНИМАНИЕ:

- Овој прибор или додатоци се препорачуваат за користење со алатот од Makita дефиниран во упатството. Со користење друг прибор или додатоци може да се изложите на ризик од телесни повреди. Користете ги приборот и додатоците само за нивната намена.

Ако ви треба помош за повеќе детали за приборот, прашајте во локалниот сервисен центар на Makita.

- Синцир на пилата
- Капак на насочувачката шипка
- Насочувачка шипка
- Масло за синцирот на пилата

НАПОМЕНА:

- Некои ставки на листата може да се вклучени со алатот како стандарден прибор. Тоа може да се разликува од земја до земја.

ROMÂNĂ (Instrucțiuni originale)

Expliciteaza vederii de ansamblu

2-1. Pârghie	12-2. Cablu mașină	19-1. Apărătoare anterioară pentru mână
2-2. Capacul roții de lanț	12-3. Prelungitor	19-2. Deblocat
3-1. Șurub de reglare	12-4. Fișă și priză (forma poate diferi de la o țară la alta)	19-3. Blocat
4-1. Rondelă de reglare	13-1. Buton de deblocare	20-1. Vizor pentru controlul nivelului de ulei
5-1. Roată de lanț	13-2. Trăgaciul întrerupătorului	22-1. Bară de protecție dințată
6-1. Lamă de ghidare	15-1. Capacul bușonului de umplere cu ulei	26-1. Zona de tăiere
6-2. Orificiu	15-2. Curea	29-1. Direcție de cădere
7-1. Agățătoare	16-1. Deșurubați	29-2. Zonă periculoasă
7-2. Orificiu	16-2. Strângere	29-3. Traseu de evacuare
7-3. Știft	16-3. Șurub de reglare lanț	31-1. Lungime de tăiere
9-1. Pârghie	16-4. Lamă de ghidare	31-2. Distanță dintre marginea de tăiere și calibrul de adâncime
9-2. Capacul roții de lanț	16-5. Lanț de ferăstrău	31-3. Minimum 3 mm
10-1. Deșurubați	17-1. Deșurubați	32-1. Unghi placă laterală
10-2. Strângere	17-2. Strângere	37-1. Canal de ghidare a uleiului
10-3. Șurub de reglare lanț	17-3. Rondelă de reglare	37-2. Orificiu de alimentare cu ulei
10-4. Lamă de ghidare	17-4. Lamă de ghidare	38-1. Roată de lanț
10-5. Lanț de ferăstrău	17-5. Lanț de ferăstrău	39-1. Marcaj limită
11-1. Deșurubați	18-1. Apărătoare anterioară pentru mână	40-1. Capacul suportului pentru perii
11-2. Strângere	18-2. Blocat	40-2. Șurubelniță
11-3. Rondelă de reglare	18-3. Deblocat	
11-4. Lamă de ghidare		
11-5. Lanț de ferăstrău		
12-1. Cârlig cablu		

SPECIFICAȚII

Model		UC3050A	UC3051A	UC3550A	UC3550AP	UC3551A	UC4050A	UC4051A	UC4550A	UC4551A
Turație maximă lanț		14,5 m/s (870 m/min)								
Lamă de ghidare standard	Lungime lamă	300 mm		350 mm			400 mm		450 mm	
	Lungime de tăiere	260 mm		320 mm			355 mm		415 mm	
	Tip bară de ghidare	Bară frontală de roată dințată								
Lanț de ferăstrău standard	Tip	91PX								
	Pas	3/8"								
	Nr. organelor de transmisie	46		52			56		62	
Lungime recomandată pentru lama de ghidare		300 - 450 mm								
Lungime totală (fără lama de ghidare)		505 mm								
Greutate netă		5,4 kg	5,5 kg	5,5 kg	5,6 kg	5,5 kg	5,6 kg	5,7 kg		
Cablu de extensie (opțional)		DIN 57282/HO 7RN -F L=30 m max., 3x1,5 mm ²								

- Datorită programului nostru continuu de cercetare și dezvoltare, caracteristicile pot fi modificate fără o notificare prealabilă.
- Specificațiile pot varia în funcție de țară.
- Greutatea este specificată conform procedurii EPTA-01/2003

END218-7

Simbol

Mai jos sunt prezentate simbolurile de pe echipament. Asigurați-vă că înțelegeți sensul acestora înainte de utilizare.



• Citiți manualul de instrucțiuni și respectați avertismentele și instrucțiunile privind siguranța.



• Purtați ochelari de protecție.








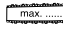







• Purtați mijloace de protecție a auzului.

• IZOLAȚIE DUBLĂ

• Atenție: este necesară o grijă și atenție deosebită!

• Atenție: deconectați imediat ștecherul de alimentare în cazul deteriorării cablului!

-  · Atenție: recul!
-  · Protejați mașina împotriva ploii și umidității!
-  · Purtați o cască de protecție, ochelari de protecție și mijloace de protecție a auzului!
-  · Purtați mănuși de protecție!
-  · Deconectați ștecherul de alimentare!
-  · Primul ajutor
-  · Lungimea de tăiere maximă admisibilă
-  · Direcția de deplasare a lanțului
-  · Ulei de lanț
-  · Frână de lanț eliberată
-  · Frână de lanț acționată
-  · Interzis!
-  · Doar pentru țările UE
Nu aruncați aparatele electrice în gunoiul menajer!
În conformitate cu Directiva europeană privind deșeurile de echipamente electrice și electronice și implementarea sa conform legislației naționale, echipamentele electrice uzate trebuie colectate separat și reciclate corespunzător în vederea protecției mediului.

ENE085-1

Destinația de utilizare

Mașina este destinată tăierii cherestelei și buștenilor.

ENF002-2

Sursă de alimentare

Unealta trebuie conectată doar la o sursă de alimentare cu aceeași tensiune precum cea indicată pe plăcuța indicatoare a caracteristicilor tehnice și poate fi operată doar de la o sursă de curent alternativ cu o singură fază. Acestea au o izolație dublă și, drept urmare, pot fi utilizate de la prize fără împământare.

ENG905-1

Emisie de zgomot

Nivelul de zgomot normal ponderat A determinat în conformitate cu EN60745:

Nivel de presiune acustică (L_{pA}): 90,8 dB (A)

Nivel de putere acustică (L_{WA}): 101,8 dB (A)

Marjă de eroare (K): 2,5 dB (A)

Purtați mijloace de protecție a auzului**Vibrații**

Valoarea totală a vibrațiilor (suma vectorilor tri-axiali) determinată conform EN60745:

Mod de funcționare: tăierea lemnului

Emisie de vibrații (a_h): 5,2 m/s²

Marjă de eroare (K): 1,5 m/s²

ENG901-1

- Nivelul de vibrații declarat a fost măsurat în conformitate cu metoda de test standard și poate fi utilizat pentru compararea unei unelte cu alta.
- Nivelul de vibrații declarat poate fi, de asemenea, utilizat într-o evaluare preliminară a expunerii.

AVERTISMENT:

- Nivelul de vibrații în timpul utilizării reale a unelei electrice poate diferi de valoarea nivelului declarat, în funcție de modul în care unealta este utilizată.
- Asigurați-vă că identificați măsurile de siguranță pentru a proteja operatorul, acestea fiind bazate pe o estimare a expunerii în condiții reale de utilizare (luând în considerare toate părțile ciclului de operare, precum timpii în care unealta a fost oprită, sau a funcționat în gol, pe lângă timpul de declanșare).

ENH030-5

Numai pentru țările europene**Declarație de conformitate CE****Makita declară că următoarea(ele) mașină(i):**

Denumirea utilajului:

Ferăstrău cu lanț

Model nr./ Tip: UC3050A, UC3550A, UC4050A, UC4550A, UC3051A, UC3551A, UC3550AP, UC4051A, UC4551A

Specificații: consultați tabelul "SPECIFICAȚII".

Este în conformitate cu următoarele directive europene:

2000/14/EC, 2006/42/EC

Sunt fabricate în conformitate cu următorul standard sau documente standardizate:

EN60745

Certificat de examinare tip CE nr.5514056,14005

Examinarea de tip CE conform 2006/42/CE a fost efectuată de:

DEKRA Testing and Certification GmbH

Enderstraße 92b

01277 Dresden

Germania

Nr. de identificare 2140

Fișierul tehnic în conformitate cu 2006/42/CE este disponibil de la:

Makita, Jan-Baptist Vinkstraat 2, 3070, Belgia

Procedura de evaluare a conformității prevăzută de Directiva 2000/14/CE a fost în concordanță cu anexa V.

Nivel de putere acustică măsurat: 101,9 dB (A)

Nivel de putere acustică garantat: 103 dB (A)



000331

Yasushi Fukaya
Director

Makita, Jan-Baptist Vinkstraat 2, 3070, Belgia

GEA010-1

Avertismente generale de siguranță pentru unelte electrice

⚠️ AVERTIZARE Citiți toate avertizările de siguranță și toate instrucțiunile. Nerespectarea acestor avertizări și instrucțiuni poate avea ca rezultat electrocutarea, incendiul și/sau rănirea gravă.

Păstrați toate avertismentele și instrucțiunile pentru consultări ulterioare.

GEB037-8

Avertismente privind siguranța pentru ferăstrău cu lanț

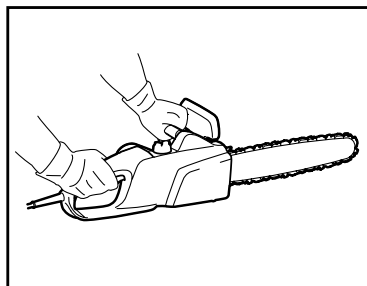
- Țineți toate părțile corpului la distanță de ferăstrăul cu lanț în timpul funcționării lanțului. Înainte de a porni lanțul ferăstrăului asigurați-vă că acesta nu atinge nimic.** Un moment de neatenție în timp ce utilizați ferăstrăul cu lanț poate produce prinderea hainelor sau corpului dumneavoastră cu lanțul ferăstrăului.
- Țineți întotdeauna ferăstrăul cu lanț cu mâna dreaptă pe mânerul din spate și cu mâna stângă pe mânerul din față.** Ținerea ferăstrăului cu o configurație inversată a mâinilor crește riscul de rănire corporală și nu trebuie făcută niciodată.
- Țineți unealta electrică doar de suprafețele de prindere izolate, deoarece lanțul de ferăstrău poate intra în contact cu fire ascunse sau cu propriul cablu.** Lanțurile de ferăstrău care intră în contact cu un fir sub tensiune vor pune sub tensiune și componentele metalice expuse ale mașinii electrice, existând pericolul ca operatorul să se electrocuteze.
- Purtați viziera și mijloace de protecție a auzului. Suplimentar este recomandat echipamentul de protecție pentru cap, mâini, labele picioarelor și picioare.** Îmbrăcămintea adecvată de protecție va reduce riscul rănirii personale datorită resturilor proiectate sau contactului accidental cu lanțul ferăstrăului.
- Nu utilizați ferăstrăul cu lanț în copac.** Utilizarea ferăstrăului cu lanț sus în copac poate produce vătămarea corporală.
- Păstrați întotdeauna un sprijin adecvat pentru picioare și utilizați ferăstrăul cu lanț doar stând pe o suprafață fixă, sigură și orizontală.**

Suprafețele alunecoase sau instabile cum ar fi scările pot produce pierderea echilibrului sau a controlului ferăstrăului cu lanț.

- Când tăiați o ramură care este tensionată aveți grijă la destinderea acesteia.** Atunci când este eliminată tensiunea din fibrele lemnului, ramura arcuită poate lovi operatorul și/sau produce aruncarea ferăstrăului cu lanț în afara controlului.
- Fiți extrem de precauți atunci când tăiați tufișuri sau pomi tineri.** Materialul suplu poate prinde lanțul ferăstrăului și poate fi biciuit către dumneavoastră sau vă poate trage și dezechilibra.
- Transportați ferăstrăul cu lanț ținând-ul de mânerul din față, oprit și la depărtare de corpul dumneavoastră. Întotdeauna montați capacul barei de ghidaj când transportați sau depozitați ferăstrăul cu lanț.** Manipularea adecvată a ferăstrăului cu lanț va reduce probabilitatea contactului accidental cu lanțul în mișcare al ferăstrăului.
- Respectați instrucțiunile pentru lubrifiere, tensionarea lanțului și schimbarea accesoriilor.** Lanțul tensionat sau lubrifiat necorespunzător se poate rupe sau poate crește posibilitatea producerii unui recul.
- Țineți mânerul uscat, curat și fără ulei sau vaselină.** Mânerul uscat, curat și fără ulei sau vaselină sunt alunecoase și pot produce pierderea controlului.
- Tăiați numai lemn. Nu folosiți ferăstrăul cu lanț în alte scopuri decât cele pentru care a fost destinat. De exemplu: nu utilizați ferăstrăul cu lanț pentru tăierea plasticului, zidăriei sau materialelor de construcție care nu sunt lemnoase.** Utilizarea ferăstrăului pentru operațiuni diferite față de cele pentru care a fost destinat poate avea ca rezultat producerea unei situații periculoase.
- Cauzele și modul de prevenire al reculului:**
Reculul poate apărea când nasul sau vârful barei de ghidare atinge un obiect sau când lemnul se strânge și prinde lanțul ferăstrăului în tăietură. În unele cazuri, contactul vârfului poate produce o reacție inversă neașteptată, smucind bara de ghidare în sus și înapoi, pe direcția operatorului. Strangularea lanțului ferăstrăului de-a lungul părții superioare a barei de ghidare poate împinge brusc bara de ghidare înapoi spre operator. Oricare dintre aceste reacții poate produce pierderea controlului asupra ferăstrăului, ceea ce poate produce vătămarea corporală gravă. Nu vă bazați exclusiv pe dispozitivele de siguranță încorporate în ferăstrău. Ca utilizator de ferăstrău cu lanț, trebuie să parcurgeți câteva etape pentru a menține activitatea de tăiere fără accidente sau răniri. Reculul este rezultatul utilizării incorecte a mașinii și/sau al procedurilor sau condițiilor de lucru

necorespunzătoare, putând fi evitat prin adoptarea unor măsuri de precauție adecvate prezentate în continuare:

- **Mențineți o prindere fermă, cu degetul mare și degetele înconjurând mânerul ferăstrăului cu lanț, cu ambele mâini pe fierăstrău și poziționați-vă corpul și brațul astfel încât să vă permită să rezistați la forțele de recul.** Forțele de recul pot fi controlate de către operator, dacă sunt luate măsurile de precauție adecvate. Nu scăpați fierăstrăul cu lanț.



014316

- **Nu depășiți nivelul umărului și nu efectuați tăieri deasupra înălțimii umărului.** Acest lucru ajută la prevenirea contactului accidental cu vârful și permite un control mai bun al lanțului de ferăstrău în situații neprevăzute.
- **Utilizați doar lamele și lanțurile de schimb specificate de producător.** Lamele și lanțurile de schimb incorecte pot cauza ruperea lanțului și/sau recul.
- **Pentru ascuțirea și întreținerea ferăstrăului cu lanț, respectați instrucțiunile producătorului.** Scăderea înălțimii indicatorului de adâncime poate conduce la recul mărit.

NORME SUPLIMENTARE DE SECURITATE

1. Citiți manualul de instrucțiuni pentru a vă familiariza cu operarea ferăstrăului cu lanț.
2. Înainte de a folosi pentru prima dată ferăstrăul cu lanț, aveți grijă să beneficiați de un instructaj cu privire la operarea acestuia. Dacă acest lucru nu este posibil, exersați cel puțin tăierea unor bușteni rotunzi pe o capră înainte de a începe lucrul.
3. Ferăstrăul cu lanț nu trebuie folosit de copii sau adolescenți cu vârstă mai mică de 18 ani. Adolescenții cu vârstă mai mare de 16 ani pot fi exceptați de la această restricție în cazul în care beneficiază de instructaj sub supravegherea unui expert.
4. Lucrul cu ferăstrăul cu lanț necesită un nivel înalt de concentrare. Nu lucrați cu ferăstrăul dacă nu vă simțiți apt și sănătos. Executați fiecare lucrare calm și cu atenție.

5. Nu lucrați niciodată sub influența alcoolului, drogurilor sau medicamentelor.

Folosirea corectă

1. Ferăstrăul cu lanț este destinat numai pentru tăierea lemnului. Nu-l folosiți, de exemplu, pentru tăierea plasticului sau betonului poros.
2. Folosiți ferăstrăul cu lanț numai pentru operațiile descrise în acest manual de instrucțiuni. **Nu** folosiți ferăstrăul, de exemplu, pentru tăierea gardurilor vii sau în alte scopuri similare.
3. Ferăstrăul cu lanț nu trebuie utilizat pentru lucrări forestiere, adică pentru tăierea și debitarea arborilor în picioare. Cablul ferăstrăului cu lanț nu conferă utilizatorului mobilitatea și siguranța necesare pentru astfel de lucrări.
4. Ferăstrăul cu lanț nu este destinat pentru uz comercial.
5. Nu suprasolicitați ferăstrăul cu lanț.

Echipament personal de protecție

1. Îmbrăcămintea trebuie să fie strânsă pe corp, însă nu trebuie să incomodeze mișcările.
2. Folosiți următorul echipament de protecție în timpul lucrului:
 - O cască de protecție omologată, dacă există risc de cădere a crengilor sau alte riscuri similare;
 - O mască de protecție sau ochelari de protecție;
 - Mijloace de protecție a auzului adecvate (căști antifonice, dopuri pentru urechi personalizate sau modelabile). Analizor de octavă la cerere.
 - Mănuși de protecție din piele groasă;
 - Pantaloni lungi fabricați din țesătură rezistentă;
 - Salopetă de protecție din țesătură rezistentă la tăiere;
 - Încălțăminte de protecție sau cizme cu tălpi antiderapante, bombeu de oțel și căptușeală din țesătură rezistentă la tăiere;
 - O mască respiratoare, când executați lucrări cu degajare de praf (de exemplu, la tăierea lemnului uscat).

Protecție împotriva electrocutării



- Ferăstrăul cu lanț nu trebuie utilizat pe vreme ploioasă sau în mediu umed, deoarece motorul electric nu este etanșat la apă.
1. Conectați ferăstrăul doar la prize din circuite electrice testate. Verificați dacă tensiunea sistemului corespunde celei de pe plăcuța cu caracteristici. Asigurați-vă că este montată o siguranță de linie de 16 A. Ferăstraiele utilizate în aer liber trebuie conectate la un întrerupător operat cu curent rezidual cu un curent de lucru de maxim 30 mA.



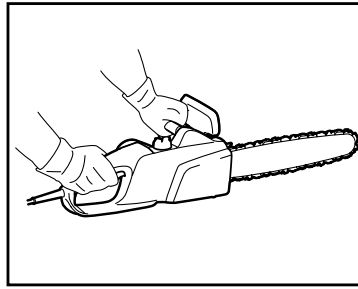
- În cazul în care cablul de alimentare este deteriorat, deconectați imediat mașina de la rețea.

Tehnici de lucru sigure

1. Înainte de începerea lucrului, verificați dacă ferăstrăul cu lanț funcționează corespunzător și dacă starea acestuia corespunde normelor de tehnică a securității. Verificați în special dacă:
 - Frâna de lanț funcționează corect;
 - Frâna de siguranță funcționează corect;
 - Lama și apărătoarea roții de lanț sunt instalate corect;
 - Lanțul a fost ascuțit și tensionat în conformitate cu reglementările;
 - Cablul și conectorul de alimentare sunt intacte;

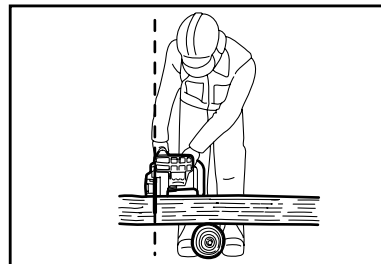
Consultați paragraful "VERIFICĂRI".

2. Asigurați-vă întotdeauna, în mod special, asupra faptului că prelungitorul are o secțiune corespunzătoare a conductorului (vezi "SPECIFICAȚII"). Când folosiți un tambur de cablu, desfășurați complet cablul de pe tambur. Când folosiți ferăstrăul în aer liber, asigurați-vă că folosiți un cablu destinat pentru utilizare în aer liber și cu caracteristicile corespunzătoare.
3. Țineți cordonul departe de zona de tăiere și amplasați cordonul astfel încât acesta să nu se încurce în crengi sau ceva asemănător în timpul tăierii.
4. Nu folosiți ferăstrăul cu lanț în apropierea pulberilor sau gazelor inflamabile, deoarece motorul produce scântei și prezintă **risc de explozie**.
5. Lucrați numai pe un teren stabil și cu o poziție stabilă a picioarelor. Acordați o atenție deosebită obstacolelor (de exemplu, cablul) din perimetrul de lucru. Aveți deosebită grijă în porțiunile în care umiditatea, gheața, zăpada, lemnul proaspăt tăiat sau scoarța de copac pot alcătui suprafețe alunecoase. Nu vă urcați pe scări sau copaci atunci când folosiți ferăstrăul.
6. Aveți deosebită grijă atunci când lucrați pe un teren înclinat; rostogolirea trunchiurilor și crengilor prezintă un potențial pericol.
7. Nu tăiați niciodată deasupra nivelului umerilor.
8. **Țineți ferăstrăul cu lanț cu ambele mâini în timpul pornirii și utilizării acestuia.** Apucați mânerul posterior cu mâna dreaptă și mânerul frontal cu mâna stângă. Țineți mânerurile ferm cu degetele mari. Lama și lanțul nu trebuie să fie în contact cu niciun obiect în momentul pornirii ferăstrăului.



014316

9. Curățați porțiunea de tăiat de obiecte străine, cum ar fi nisip, pietre, cuie, cabluri etc. Obiectele străine vor deteriora lama și lanțul, putând provoca reculuri periculoase.
10. Aveți deosebită grijă atunci când tăiați în vecinătatea gardurilor de sârmă. Nu tăiați în gard, deoarece ferăstrăul poate recula.
11. Nu tăiați în pământ.
12. Tăiați bucățile de lemn individual, și nu în legături sau în stive.
13. Evitați utilizarea ferăstrăului pentru tăierea ramurilor subțiri și a rădăcinilor, deoarece acestea se încurcă în ferăstrăul cu lanț. Pierderea echilibrului este periculoasă.
14. Folosiți un suport sigur (capră) atunci când tăiați bușteni.
15. Nu folosiți ferăstrăul cu lanț pentru a ridica sau mătura bucăți de lemn sau alte obiecte.
16. Ghidați ferăstrăul cu lanț astfel încât nicio parte a corpului dumneavoastră să nu se afle în calea ferăstrăului cu lanț (vezi figura).

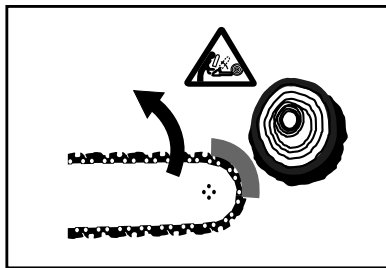


006909

17. Când vă deplasați între două operații de tăiere, acționați frâna de lanț pentru a preveni acționarea accidentală a lanțului. Țineți ferăstrăul cu lanț de mânerul frontal în timpul transportului și nu țineți degetul pe comutator.
18. Deconectați ferăstrăul de la rețea atunci când faceți pauze sau când lăsați ferăstrăul cu lanț nesupravegheat. Lăsați ferăstrăul cu lanț într-un loc în care nu prezintă pericol.

Recul

1. În timpul lucrului cu ferăstrăul cu lanț pot apărea reculuri periculoase. Reculul apare atunci când vârful lamei (în special partea superioară) intră în contact cu lemnul sau un alt obiect solid. Aceasta are ca efect devierea ferăstrăului cu lanț în direcția utilizatorului.



006919

2. Pentru a evita reculul, respectați următoarele indicații:

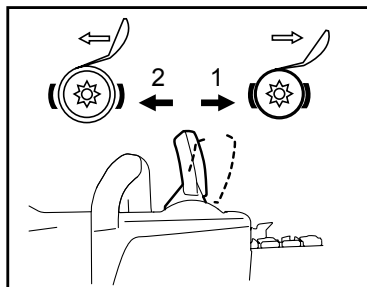
- Nu începeți niciodată tăierea cu vârful lamei.
- Nu folosiți niciodată vârful lamei pentru tăiere. Aveți deosebită grijă atunci când reluați tăierile întrerupte.
- Începeți tăierea cu lanțul în funcțiune.
- Ascuțiți întotdeauna corect lanțul. În special, setați calibrul de adâncime la înălțimea corectă.
- Nu tăiați niciodată mai multe crengi concomitent.
- Când debitați, aveți grijă să nu permiteți lamei să intre în contact cu alte crengi.
- Când retezați, nu vă apropiați de trunchiurile adiacente. Supravegheați permanent vârful lamei.
- Folosiți o capră.

Echipamente de siguranță

1. Asigurați-vă întotdeauna că echipamentele de siguranță sunt funcționale înainte de a începe lucrul. Nu folosiți ferăstrăul cu lanț dacă echipamentele de siguranță nu funcționează corespunzător.

– Frâna de lanț:

Ferăstrăul cu lanț este echipat cu o frână de lanț care oprește lanțul de ferăstrău într-o fracțiune de secundă. Aceasta este activată atunci când apăsarea mâinii este împinsă înainte. Lanțul de ferăstrău se oprește în acest caz într-un interval de 0,15 s, iar alimentarea electrică a motorului este întreruptă.



014317

– Frâna de siguranță:

Ferăstrăul cu lanț este echipat cu o frână de siguranță care oprește imediat lanțul de ferăstrău în momentul eliberării comutatorului de PORNIRE/OPRIRE. Aceasta nu permite funcționarea periculoasă a lanțului de ferăstrău când ferăstrăul este oprit.

- Apărătorile pentru mâini din față și din spate protejează utilizatorul împotriva vătămării din cauza bucăților de lemn care pot fi aruncate înapoi sau a unui lanț de ferăstrău rupt.
- **Butonul de deblocare a declanșatorului** previne pornirea accidentală a ferăstrăului cu lanț.
- **Opritorul de lanț** protejează utilizatorul împotriva vătămarilor în cazul desprinderii sau ruperii lanțului.

Transport și depozitare



• Când ferăstrăul cu lanț nu este utilizat sau în timpul transportului, deconectați ștecherul de la rețea și instalați capacul barei de ghidare livrat cu ferăstrăul. Nu transportați niciodată ferăstrăul cu lanțul de ferăstrău în funcțiune.

1. Transportați ferăstrăul cu lanț numai de mânerul din față, cu lama îndreptată înapoi.
2. Păstrați ferăstrăul cu lanț într-un spațiu sigur, uscat și încuiat la care nu au acces copiii. Nu depozitați ferăstrăul cu lanț în aer liber.

ÎNTREȚINERE

1. Deconectați ștecherul de la priză înainte de a efectua lucrări de reglare sau întreținere.
2. Verificați în mod regulat cablul de alimentare cu privire la deteriorări ale izolației.
3. Curățați ferăstrăul cu lanț în mod regulat.
4. Remediați corespunzător și neîntârziat orice deteriorări ale carcasei de plastic.
5. Nu utilizați ferăstrăul dacă butonul declanșator nu funcționează corect. Asigurați repararea corespunzătoare a acestuia.
6. Ferăstrăul cu lanț nu trebuie modificat în nici un caz. Vă expuneți la riscuri.
7. Nu efectuați alte lucrări de întreținere sau reparație decât cele descrise în acest manual de instrucțiuni. Orice alte lucrări trebuie executate de centre de service autorizate.
8. Folosiți numai piese de schimb și accesorii originale destinate modelului dumneavoastră de ferăstrău. Folosirea altor piese sporește riscul de accident.
9. Nu ne asumăm nicio responsabilitate pentru accidentele sau pagubele provocate în cazul utilizării unor lame, lanțuri de ferăstrău sau altor piese de schimb și accesorii neaprobate.

Primul ajutor



• Nu lucrați singur. Lucrați întotdeauna la o distanță de la care puteți fi auzit de o altă persoană.

1. Păstrați permanent la îndemână o trusă de prim ajutor. Înlocuiți imediat articolele folosite din aceasta.
2. Dacă aveți nevoie de asistență în caz de accident, comunicați următoarele:

- Unde s-a produs accidentul?
- Ce s-a întâmplat?
- Câte persoane sunt rănite?
- Ce fel de răni prezintă?
- Cine raportează accidentul?

NOTĂ:

Persoanele cu probleme circulatorii care sunt expuse la vibrații excesive pot suferi leziuni ale vaselor sanguine sau ale sistemului nervos.

Vibrațiile pot provoca următoarele simptome la nivelul degetelor, mâinilor sau articulațiilor mâinilor: "amorțeală"(insensibilitate), furnicături, durere, înțepături, modificarea culorii sau texturii pielii.

Dacă apare oricare dintre aceste simptome, consultați un medic!

PĂSTRAȚI ACESTE INSTRUCȚIUNI.

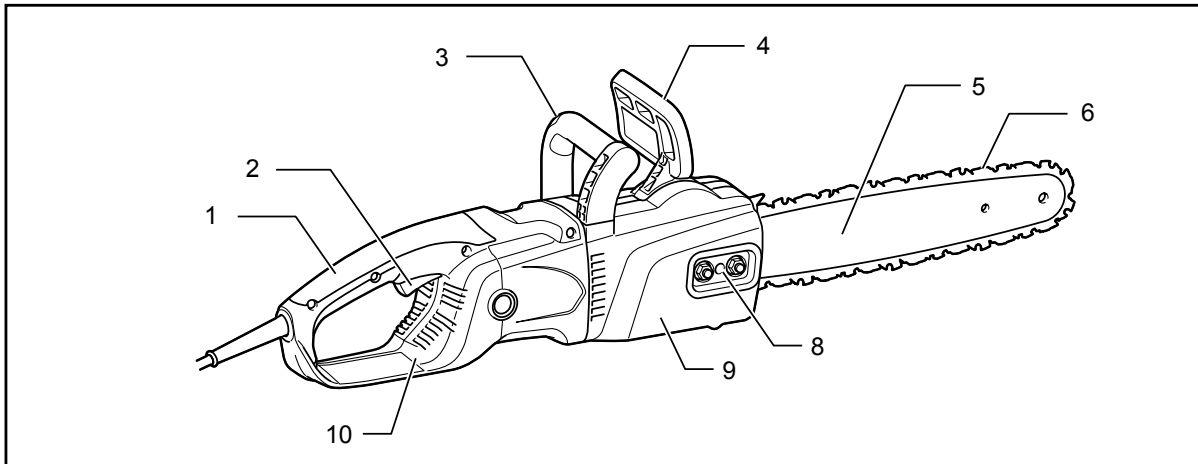
⚠️AVERTISMENT:

NU permiteți comodității și familiarizării cu produsul (obținute prin utilizare repetată) să înlocuiască respectarea strictă a normelor de securitate pentru acest produs. FOLOSIREA INCORECTĂ sau nerespectarea normelor de securitate din acest manual de instrucțiuni poate provoca vătămări corporale grave.

DENUMIREA PIESELOR

(Model cu piuliță: apărătoarea roții de lanț este strânsă cu piulițe).

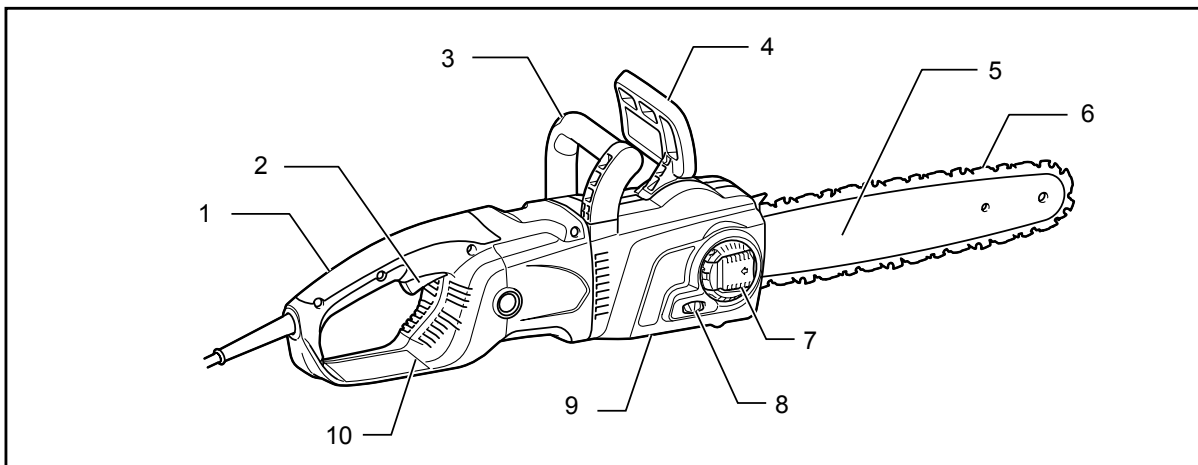
Pentru modelul UC3050A, UC3550A, UC3550AP, UC4050A, UC4550A



014372

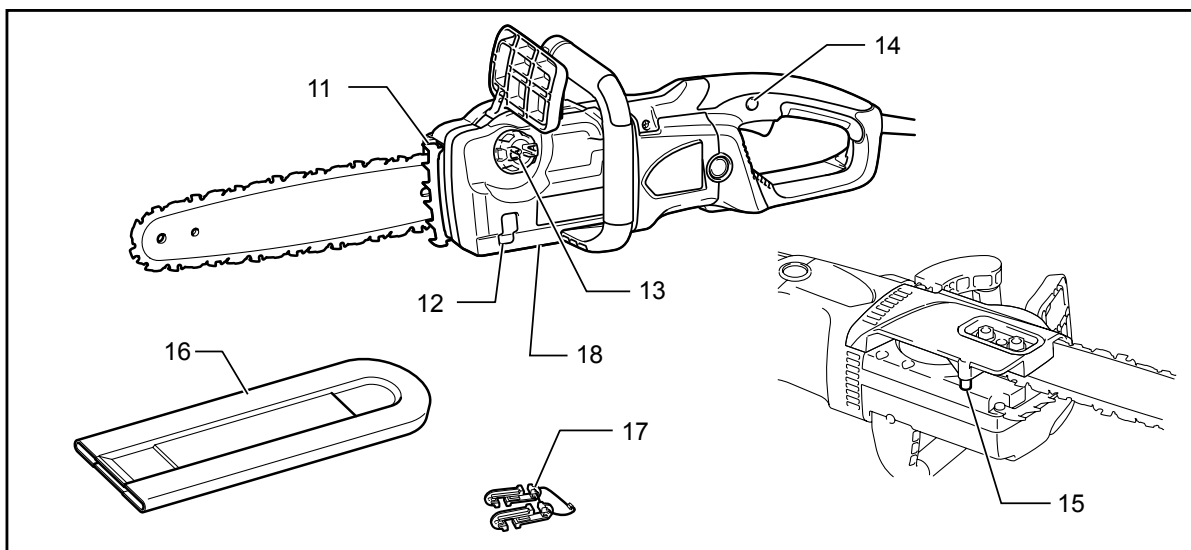
(Model cu pârghie: apărătoarea roții de lanț este strânsă cu o pârghie).

Pentru modelul UC3051A, UC3551A, UC4051A, UC4551A



014373

(Pentru toate modelele)



014514

1	Mâner posterior	7	Pârghie	13	Capacul buşonului de umplere cu ulei
2	Trăgaciul întrerupătorului	8	Şurub de reglare/Rondelă de reglare	14	Buton de deblocare
3	Mâner frontal	9	Capacul roţii de lanţ	15	Opritor de lanţ
4	Apărătoare anterioară pentru mână	10	Apărătoare posterioară pentru mână	16	Capac lamă de ghidare
5	Lamă de ghidare	11	Bară de protecţie dinţată	17	Cârlig cablu
6	Lanţ de ferăstrău	12	Vizor pentru controlul nivelului de ulei	18	Şurub de reglare pentru pompa de ulei (în partea de jos)

014375

MONTARE

⚠ATENŢIE:

- Asiguraţi-vă că aţi oprit maşina şi că aţi deconectat-o de la reţea înainte de a efectua vreo intervenţie asupra maşinii.

Demontarea sau montarea apărătoarei roţii de lanţ

Pentru a demonta apărătoarea roţii de lanţ, efectuaţi paşii de mai jos:

(Pentru modele cu piuliţă)

Fig.1

Slăbiţi piuliţa.

(Pentru modele cu pârghie)

Fig.2

Apăsaţi şi deschideţi complet pârghia până când aceasta se opreşte.

Rotiţi pârghia în sens anti-orar.

Pentru a monta apărătoarea roţii de lanţ, efectuaţi paşii de mai sus în ordine inversă.

Demontarea sau montarea lanţului de ferăstrău

⚠ATENŢIE:

- Purtaţi întotdeauna mănuşi atunci când montaţi sau demontaţi lanţul de ferăstrău.

Pentru a demonta lanţul de ferăstrău, efectuaţi paşii de mai jos:

- Slăbiţi apărătoarea roţii de lanţ.
- (Pentru modele cu piuliţă) Rotiţi şurubul de reglare a lanţului în sens anti-orar pentru a elibera tensiunea lanţului de ferăstrău.
(Pentru modele cu pârghie) Rotiţi rondela de reglare în direcţia “-” pentru a slăbi tensiunea lanţului de ferăstrău.

Fig.3

Fig.4

- Îndepărtaţi apărătoarea roţii de lanţ.
- Demontaţi lanţul de ferăstrău şi lama de ghidare de pe ferăstrăul cu lanţ.

Pentru a monta lanţul de ferăstrău, efectuaţi următorii paşi:

- Verificai direcţia lanţului. Marcajul săgeată de pe lanţ indică direcţia lanţului.

Fig.5

6. Montați un capăt al lanțului de ferăstrău în partea de sus a lamei de ghidare și celălalt capăt în jurul roții de lanț.
7. Amplasați lama de ghidare pe ferăstrăul cu lanț.
8. Aliniați glisorul de tensionare cu orificiul lamei de ghidare.

Fig.6

9. Ținând lama de ghidare, rotiți șurubul de reglare/rondela de reglare a lanțului pentru a ajusta tensiunea lanțului de ferăstrău.
10. Amplasați apărătoarea roții de lanț astfel încât cârligele să se încadreze de-a lungul orificiilor, iar știftul să fie aliniat cu perechea sa de pe apărătoarea roții de lanț.

Fig.7

11. Strângeți apărătoarea roții de lanț.

Fig.8**Fig.9****Reglarea tensionării lanțului de ferăstrău**

Lanțul de ferăstrău se poate detensiona după mai multe ore de utilizare. Verificați din când în când tensionarea lanțului de ferăstrău înainte de utilizare.

1. Slăbiți ușor apărătoarea roții de lanț.
2. Ridicați ușor vârful lamei de ghidare.
3. Rotiți șurubul de reglare/rondela de reglare pentru a regla tensiunea lanțului de ferăstrău.

Fig.10**Fig.11**

4. Strângeți lanțul de ferăstrău până când partea inferioară a lanțului de ferăstrău se potrivește în șina lamei de ghidare (vezi cercul).
5. Continuați să țineți lama de ghidare ușor și strângeți apărătoarea roții de lanț după reglarea tensiunii lanțului. Asigurați-vă că lanțul de ferăstrău nu este slăbit în partea inferioară.

Asigurați-vă că lanțul de ferăstrău se fixează ferm pe partea inferioară a lamei.

⚠ATENȚIE:

- Nu strângeți excesiv lanțul de ferăstrău. Tensionarea excesivă a lanțului de ferăstrău poate provoca ruperea acestuia, uzarea lamei de ghidare și ruperea rondelii de reglare.
- Un lanț prea slăbit poate sări de pe lamă, prezentând așadar pericol de accidentare.
- Efectuați procedeul de montare sau demontare a lanțului de ferăstrău într-un loc curat, fără rumeguș sau alte materii asemănătoare.

Cuplarea cablului prelungitor**⚠ATENȚIE:**

- Asigurați-vă că, prelungitorul de cablu este scos din priză.

Fig.12

Când cuplați cablul prelungitor, fixați-l de cablul ferăstrăului cu lanț folosind ansamblul cârlig. Atașați cârligul la circa 100 – 200 mm de la conectorul cablului prelungitor. În acest mod va fi prevenită deconectarea accidentală.

FUNȚIONARE**⚠ATENȚIE:**

- Țineți mașina ferm cu mâna dreaptă pe mânerul posterior și mâna stângă pe mânerul frontal în timpul utilizării mașinii.

Acționarea întrerupătorului**Fig.13****⚠ATENȚIE:**

- Asigurați-vă întotdeauna că mașina este oprită și decuplată de la alimentarea cu energie electrică atunci când reglați sau verificați funcționarea butonului declanșator.
- Înainte de a branșa mașina la rețea, verificați dacă trăgaciul întrerupătorului funcționează corect și dacă revine la poziția "OFF" (oprit) atunci când este eliberat.

Pentru a preveni acționarea accidentală a butonului declanșator, este prevăzut un buton de deblocare.

Pentru a porni mașina, apăsați butonul de deblocare și trageți butonul declanșator. Eliberați butonul declanșator pentru a opri mașina.

Lubrifierea**⚠ATENȚIE:**

- Asigurați-vă întotdeauna că mașina este oprită și deconectată înainte de a lubrifia lanțul de ferăstrău.

Fig.14

Lubrifiați lanțul de ferăstrău și lama utilizând un ulei pentru lanțuri de ferăstrău biodegradabil cu agent de aderență. Agentul de aderență din uleiul pentru lanțul de ferăstrău previne eliminarea excesiv de rapidă a uleiului de pe ferăstrău. Nu este permisă utilizarea uleiurilor minerale, deoarece acestea sunt dăunătoare mediului înconjurător.

⚠ATENȚIE:

- Evitați contactul uleiului cu pielea și ochii. Contact cu ochii poate provoca iritații. În cazul unui contact cu ochii, spălați imediat ochiul afectat cu apă curată din abundență și apoi consultați imediat un medic.
- Nu folosiți niciodată ulei uzat. Uleiul uzat conține substanțe cancerigene. Substanțele contaminante din uleiul uzat provoacă uzura accelerată a pompei de ulei, a lamei și a lanțului. Uleiul uzat este dăunător mediului înconjurător.

- Atunci când alimentați ferăstrăul cu lanț pentru prima dată cu ulei de lanț sau când reumpleți rezervorul după golirea completă a acestuia, turnați ulei până la marginea inferioară a gâtului de umplere. În caz contrar, alimentarea cu ulei poate fi defectuoasă.

Fig.15

Pentru a umple cu ulei, efectuați pașii de mai jos:

1. Curățați temeinic zona din jurul capacului bușonului de umplere cu ulei pentru a preveni pătrunderea impurităților în rezervorul de ulei.
2. Deșurubați capacul bușonului de umplere cu ulei și turnați ulei până la marginea inferioară a gâtului de umplere.
3. Înșurubați la loc strâns capacul bușonului de umplere cu ulei.
4. Ștergeți cu grijă uleiul de lanț vărsat.

NOTĂ:

- La prima utilizare a ferăstrăului cu lanț, poate dura până la două minute ca uleiul de lanț să își atingă efectul de lubrifiere a mecanismului ferăstrăului. Lăsați ferăstrăul să funcționeze în gol până la începerea lubrifierii (vezi "VERIFICĂRI").

VERIFICĂRI

Înainte de a începe lucrul executați următoarele verificări:

Verificarea tensionării lanțului

⚠️ AVERTISMENT:

- Deconectați întotdeauna ștecherul de rețea înainte de a verifica tensionarea lanțului și purtați mănuși de protecție.

(Pentru modele cu piuliță)

Fig.16

(Pentru modele cu pârghie)

Fig.17

Asigurați-vă că lanțul de ferăstrău se fixează ferm pe partea inferioară a lamei (vezi cercul).

Verificați frecvent tensionarea lanțului, deoarece lanțurile noi sunt supuse alungirii.

Tensionarea excesivă a lanțului de ferăstrău poate provoca ruperea acestuia, uzarea lamei de ghidare și ruperea rondelii de reglare.

Un lanț prea slăbit poate sări de pe lamă, prezentând așadar pericol de accidentare.

Dacă lanțul este prea slăbit: Consultați paragraful intitulat "Reglarea tensionării lanțului de ferăstrău" și ajustați tensionarea lanțului de ferăstrău.

Verificarea funcționării butonului declanșator

⚠️ ATENȚIE:

Înainte de a branșa mașina la rețea, verificați dacă trăgaciul întrerupătorului funcționează corect și dacă revine la poziția "OFF" (oprit) atunci când este eliberat.

Pentru a preveni acționarea accidentală a butonului declanșator, este prevăzut un buton de deblocare.

Pentru a porni mașina, apăsați butonul de deblocare și trageți butonul declanșator. Eliberați butonul declanșator pentru a opri mașina.

Nu apăsați puternic butonul declanșator fără a apăsa butonul de deblocare. Comutatorul se poate rupe.

Verificarea frânei de lanț

NOTĂ:

- Dacă ferăstrăul cu lanț nu pornește, verificați dacă frâna de lanț este eliberată. Pentru a elibera frâna de lanț, trageți ferm apăritoarea mâinii spre înapoi până când simțiți cuplarea acesteia.

Fig.18

Fig.19

Verificați frâna de lanț în modul următor:

1. Țineți ferăstrăul cu lanț cu ambele mâini atunci când îl porniți. Apucați mânerul posterior cu mâna dreaptă și mânerul frontal cu mâna stângă. Asigurați-vă că lama și lanțul nu intră în contact cu niciun obiect.
2. Apăsați întâi butonul de deblocare și apoi butonul declanșator. Lanțul de ferăstrău pornește imediat.
3. Împingeți apăritoarea frontală a mâinii înainte cu spatele mâinii. Asigurați-vă că lanțul de ferăstrău se oprește imediat.

⚠️ ATENȚIE:

- Dacă lanțul de ferăstrău nu se oprește imediat, nu utilizați ferăstrăul sub nicio formă. Consultați centrele de service autorizate Makita.

Verificarea frânei de siguranță

Porniți ferăstrăul cu lanț.

Eliberați complet butonul declanșator. Asigurați-vă că lanțul de ferăstrău se oprește în interval de o secundă.

⚠️ ATENȚIE:

- Dacă lanțul de ferăstrău nu se oprește imediat, nu utilizați ferăstrăul sub nicio formă. Consultați centrele de service autorizate Makita.

Verificarea gresorului de lanț

Înainte de a începe lucrul, verificați nivelul uleiului din rezervor și alimentarea cu ulei.

Nivelul uleiului poate fi observat prin vizorul de ulei prezentat în figură.

Fig.20

Verificați alimentarea cu ulei după cum urmează:

Porniți ferăstrăul cu lanț.

Cu ferăstrăul în funcțiune, țineți lanțul de ferăstrău la circa 15 cm deasupra unui buștean sau deasupra solului. Dacă lubrifierea este adecvată, uleiul împrăștiat va forma o urmă subțire de ulei.

Aveți în vedere direcția vântului și nu vă expuneți inutil împrăscării cu ulei.

⚠️ATENȚIE:

- Dacă nu se formează o urmă de ulei, nu folosiți ferăstrăul. În caz contrar, durata de exploatare a lanțului se va reduce. Verificați nivelul uleiului. Curățați canalul de alimentare cu ulei și orificiul de alimentare cu ulei din lamă (consultați "ÎNȚREȚINERE").

Reglarea lubrifierii lanțului

Fig.21

Puteți regla debitul pompei de ulei cu ajutorul șurubului de reglare.

LUCRUL CU FERĂSTRĂUL CU LANȚ

⚠️ATENȚIE:

- Folosiți întotdeauna un mâner frontal și unul posterior și țineți mașina ferm de mânerul frontal și mânerul posterior în timpul lucrului.
- Fixați întotdeauna bușteanul de tăiat, în caz contrar fragmentele generate de tăiere pot cauza accidente.

Retezarea

Fig.22

Pentru retezări, sprijiniți bara de protecție dințată prezentată în figură pe lemnul ce urmează a fi tăiat.

Cu lanțul de ferăstrău în funcțiune, tăiați în lemn utilizând mânerul posterior pentru a ridica ferăstrăul și mânerul frontal pentru a-l ghida. Folosiți bara de protecție dințată pe post de pivot.

Continuați tăierea aplicând o ușoară presiune pe mânerul frontal, retrăgând ușor ferăstrăul. Mutați bara de protecție dințată în josul bușteanului și ridicați din nou mânerul frontal.

Când executați mai multe tăieturi, opriți ferăstrăul cu lanț între acestea.

⚠️ATENȚIE:

- Dacă utilizați pentru tăiere marginea superioară a lamei, ferăstrăul cu lanț poate fi deviat în direcția dumneavoastră dacă lanțul se blochează. Din acest motiv, executați tăierea cu marginea inferioară astfel ca ferăstrăul să se îndepărteze de corpul dumneavoastră.

Fig.23

Tăiați lemnul tensionat întâi pe partea de compresiune (A). Apoi executați tăietura finală pe partea de tensionare (B). Această tehnică previne înțepenirea lamei.

Fig.24

Debitarea

⚠️ATENȚIE:

- Debitarea poate fi executată numai de persoane calificate. Există pericol din cauza riscului de recul. Atunci când debitați, sprijiniți ferăstrăul cu lanț pe trunchi dacă este posibil. Nu tăiați cu vârful lamei deoarece prezintă risc de recul.

Acordați o atenție deosebită crengilor tensionate. Nu tăiați de dedesubt crengile nesuținute.

Nu vă urcați pe trunchiul doborât atunci când executați debitarea.

Scobirea și tăierea în lungul fibrei

⚠️ATENȚIE:

- Scobirea și tăierea în lungul fibrei pot fi executate numai de persoane cu pregătire specială. Posibilitatea de reculare prezintă risc de vătămare.

Fig.25

Executați tăierile în lungul fibrei sub un unghi cât mai redus posibil. Executați tăierea cu cea mai mare atenție, deoarece nu este posibilă folosirea barei de protecție dințate.

Doborârea

⚠️ATENȚIE:

- Lucrarea de doborâre poate fi executată numai de persoane calificate. Lucrarea este periculoasă.

Respectați reglementările locale dacă doriți să doborâți un arbore.

Fig.26

- Înainte de a începe lucrarea de doborâre asigurați-vă că:
 - (1) În apropiere se află numai persoanele implicate în operația de doborâre;
 - (2) Toate persoanele implicate dispun de o rută de retragere fără obstacole pe o rază de circa 45° de-o parte și de cealaltă a axei de doborâre. Luați în considerare riscul suplimentar de împiedicare în cablurile electrice;
 - (3) Baza trunchiului nu prezintă obiecte străine, rădăcini și crengi;
 - (4) Nu există persoane sau obiecte prezente pe o distanță egală cu 2,5 lungimi de arbore în direcția de cădere a acestuia.
- La fiecare arbore aveți în vedere următoarele:
 - direcția de înclinare;
 - crengi desprinse sau uscate;
 - înălțimea arborelui;
 - proeminența naturală;
 - dacă arborele este putred sau nu.
- Luați în considerare viteza și direcția vântului. Nu executați lucrări de doborâre dacă vântul suflă cu putere în rafale.
- Curățarea protuberanțelor rădăcinilor: Începeți cu protuberanțele cele mai mari. Executați întâi tăietura verticală și apoi tăietura orizontală.

Fig.27

- Tăiați o creastă: Creștătura determină direcția în care se va prăbuși arborele și are rol de ghidare. Aceasta se practică pe partea orientată în direcția în care trebuie să cadă arborele. Tăiați creștătura cât mai aproape posibil de sol. Executați mai întâi o tăietură orizontală până la o adâncime de 1/5 -

1/3 din diametrul trunchiului. Nu practicați o creștătură prea mare. Apoi executați tăietura diagonală.

- Executați orice tăiere de corectare a creștăturii pe întreaga lățime a acesteia.

Fig.28

- Executați tăietura din spate puțin mai sus decât tăietura de bază a creștăturii. Tăietura din spate trebuie să fie perfect orizontală. Lăsați o distanță de circa 1/10 din diametrul trunchiului între tăietura din spate și creștătură.
Fibrele de lemn din porțiunea de trunchi netăiată acționează precum o balama. Nu tăiați niciodată direct prin aceste fibre, deoarece căderea copacului nu va mai putea fi controlată. Pe parcursul operației de tăiere, introduceți pene în tăietura din spate.
- Utilizați doar pene din plastic sau aluminiu pentru menținerea deschisă a tăieturii din spate. Este interzisă utilizarea penelor din fier.
- Poziționați-vă lateral față de arborele ce urmează a fi doborât. Eliberați zona din spatele arborelui ce urmează a fi doborât pe o rază de până la 45° de o parte și de cealaltă a axului arborelui (consultați figura de la "zona de tăiere"). Atenție la crengile copacului doborât.
- O cale de evacuare trebuie planificată și curățată, dacă este necesar, înainte de a începe activitățile de tăiere. Calea de evacuare trebuie să se lărgească înapoi și pe diagonală în spatele liniei de cădere preconizate, așa cum este ilustrat în figură.

Fig.29

ÎNȚREȚINERE

⚠ATENȚIE:

- Asigurați-vă că ați oprit mașina și că ați debransat-o de la rețea înainte de a efectua operațiuni de verificare sau întreținere.
- Purtați întotdeauna mănuși când executați orice lucrare de inspecție și întreținere.
- Nu utilizați niciodată gazolină, benzină, diluant, alcool sau alte substanțe asemănătoare. În caz contrar, pot rezulta decolorări, deformări sau fisuri.

Executați lucrările de întreținere descrise mai jos la intervale regulate. Solicitățile de acordare a garanției vor fi acceptate numai dacă aceste operații au fost executate regulat și corect.

Utilizatorului îi este permisă numai executarea lucrărilor de întreținere descrise în acest manual de utilizare. Orice alte lucrări trebuie executate de centre de service autorizate MAKITA.

Curățarea ferăstrăului cu lanț

Curățați ferăstrăul în mod regulat cu o lavetă curată. Nu trebuie să existe urme de ulei, în special pe mânere.

Verificarea carcasei de plastic

Efectuați inspecții vizuale regulate ale tuturor componentelor carcasei. Dacă există piese cu defecțiuni, solicitați repararea imediată a acestora în centre de service autorizate MAKITA.

Ascuțirea lanțului de ferăstrău

⚠ATENȚIE:

- Deconectați întotdeauna ștecherul de rețea și purtați mănuși de protecție atunci când executați lucrări la lanțul de ferăstrău.

Fig.30

Ascuți lanțul de ferăstrău atunci când:

- La tăierea lemnului umed se produce rumeguș făinos;
- Lanțul penetrează lemnul cu dificultate, chiar dacă se aplică o forță puternică;
- Muchiile tăietoare sunt deteriorate vizibil;
- Ferăstrăul trage spre stânga sau spre dreapta la tăierea lemnului. Cauza acestui comportament este ascuțirea neuniformă a lanțului de ferăstrău, sau deteriorarea unei singure laturi.

Ascuți frecvent lanțul de ferăstrău, însă îndepărtați doar o cantitate mică de material de fiecare dată.

Două sau trei curse ale pilei sunt suficiente de obicei pentru o ascuțire de rutină. După ce lanțul de ferăstrău a fost reascuțit de mai multe ori, solicitați ascuțirea acestuia la un centru de service autorizat MAKITA.

Criterii de ascuțire:

- Toate lungimile de cuțite trebuie să fie egale. Cuțitele cu lungimi diferite nu permit funcționarea lină a lanțului și pot provoca ruperea acestuia.
- Nu ascuțiți lanțul după atingerea unei lungimi minime a cuțitului de 3 mm. În acest caz trebuie instalat un lanț nou.
- Grosimea așchii este determinată de distanța dintre calibrul de adâncime (ciocul rotund) și muchia tăietoare.
- Cele mai bune rezultate de tăiere se obțin cu următoarea distanță între muchia de tăiere și calibrul de adâncime.

Pânză lanț 91PX: 0,65 mm

Fig.31

⚠AVERTISMENT:

- O distanță prea mare sporește riscul de recul.
- Unghiul de ascuțire de 30° trebuie să fie identic pe toate cuțitele. Diferențele între unghiuri cauzează o funcționare neuniformă a lanțului și uzarea accelerată a acestuia, conducând la ruperea lanțului.
- Unghiul plăcii laterale a cuțitului este determinat de adâncimea de penetrare a pilei rotunde. Dacă pila specificată este utilizată corect, unghiul corect al plăcii laterale se obține automat.
- Unghiul plăcii laterale pentru fiecare lanț de ferăstrău este următorul:

Pânză lanț 91PX: 80°

Fig.32

Pila și ghidarea pilei

- Utilizați pentru ascuțirea lanțului o pilă rotundă specială (accesoriu opțional) pentru lanțuri de ferăstrău. Pilele rotunde normale nu sunt adecvate.
- Diametrul pilei rotunde pentru fiecare lanț de ferăstrău este următorul:
Pânză lanț 91PX: 4,0 mm
- Pila trebuie să intre în contact cu cuțitul numai la cursa de avans. Ridicați pila de pe cuțit la cursa de revenire.
- Ascuțiți întâi cuțitul cel mai scurt. Apoi, lungimea acestui cel mai scurt cuțit devine standard pentru toate celelalte cuțite de pe lanțul de ferăstrău.

Fig.33

- Ghidați pila după cum se vede în figură.
- Pila poate fi ghidată mai ușor dacă se folosește un suport de pilă (accesoriu opțional). Suportul de pilă dispune de marcaje pentru unghiul corect de ascuțire de 30° (aliniați marcajele paralel cu lanțul de ferăstrău) și limitează adâncimea de penetrare (la 4/5 din diametrul pilei).

Fig.34

- După ascuțirea lanțului, verificați înălțimea calibrului de adâncime utilizând instrumentul de etalonare a lanțului (accesoriu opțional).

Fig.35

- Îndepărtați orice proeminență de material, oricât de mică, cu o pilă plată specială (accesoriu opțional).
- Rotunjiți din nou muchia frontală a calibrului de adâncime.

Curățarea lamei de ghidare și lubrifierea roții de lanț de revenire

⚠ATENȚIE:

- Purtați întotdeauna mănuși de protecție la această operație. Bavurile prezintă risc de vătămare.

Fig.36

Verificați în mod regulat suprafața de rulare a lamei cu privire la deteriorări. Curățați cu un instrument adecvat și îndepărtați bavurile dacă este necesar.

Dacă ferăstrăul cu lanț este utilizat frecvent, lubrifiați lagărul roții de lanț de revenire cel puțin o dată pe săptămână. Înainte de a adăuga unsoarea proaspătă, curățați cu atenție orificiul de 2 mm de la vârful lamei de ghidare, apoi introduceți o cantitate mică de vaselină multifuncțională (accesoriu opțional) în orificiu.

Curățarea canalului de ghidare a uleiului

Fig.37

- Curățați canalul de ghidare a uleiului și orificiul de alimentare cu ulei din lamă la intervale regulate.

Lanțuri de ferăstrău noi

Folosiți alternant două sau trei lanțuri de ferăstrău, pentru ca lanțul de ferăstrău, roata de lanț și suprafețele de rulare ale lamei să se uzeze uniform.

Întoarceți lama atunci când schimbați lanțul pentru a asigura o uzură uniformă a canelurii lamei.

⚠ATENȚIE:

- Utilizați numai lanțuri și lame care sunt aprobate pentru acest model de ferăstrău (consultați "SPECIFICAȚII").

Fig.38

Înainte de a instala un lanț de ferăstrău nou, verificați starea roții de lanț.

⚠ATENȚIE:

- O roată de lanț uzată va deteriora un lanț de ferăstrău nou. În acest caz, înlocuiți roata de lanț.

Instalați întotdeauna un inel de blocare nou atunci când înlocuiți roata de lanț.

Întreținerea lanțului și a frânelor de siguranță

Sistemele de frânare sunt echipamente de siguranță extrem de importante. Ca orice altă componentă a ferăstrăului cu lanț, acestea sunt supuse unui anumit grad de uzură. Acestea trebuie inspectate în mod regulat de centre de service autorizate MAKITA. Această măsură este destinată siguranței dumneavoastră.

Înlocuirea periilor de carbon

Fig.39

Detashați periile de carbon și verificați-le în mod regulat. Schimbați-le atunci când s-au uzat până la marcajul limită. Periile de carbon trebuie să fie în permanență curate și să alunece ușor în suport. Ambele perii de carbon trebuie să fie înlocuite simultan cu alte perii identice.

Fig.40

Folosiți o șurubelniță pentru a îndepărta capacul suportului periilor de carbon. Scoateți periile de carbon uzate și fixați capacul pentru periile de carbon.

După înlocuirea periilor, conectați scula și rodați periile lăsând-o să funcționeze în gol timp de circa 10 minute.

Depozitarea mașinii

Uleiul biodegradabil pentru lanțuri de ferăstrău poate fi depozitat numai pe o perioadă limitată. După doi ani de la data fabricării, uleiurile biologice încep să capete o caracteristică aderentă și provoacă avariarea pompei de ulei și a componentelor din sistemul de lubrifiere.

- Înainte de a scoate din funcțiune ferăstrăul cu lanț pentru o perioadă mai lungă, goliți rezervorul de ulei și umpleți-l cu o cantitate mică de ulei de motor (SAE 30).
- Puneți scurt în funcțiune ferăstrăul cu lanț pentru a spăla toate resturile de ulei biologic din rezervor, sistemul de lubrifiere și mecanismul ferăstrăului.

NOTĂ:

- După scoaterea din funcțiune a ferăstrăului cu lanț, din acesta se vor scurge mici cantități de ulei pentru lanț după un timp. Acest lucru este normal și nu reprezintă un defect.

Depozitați ferăstrăul cu lanț pe o suprafață adecvată.

Înainte de a repune în funcțiune ferăstrăul cu lanț, umpleți-l cu ulei pentru lanțuri de ferăstrău BIOTOP proaspăt.

Pentru a menține siguranța și fiabilitatea mașinii, reparațiile și reglajele trebuie să fie efectuate numai la Centrele de service autorizat Makita, folosindu-se piese de schimb Makita.

DEPANARE

Înainte de a solicita reparații, efectuați mai întâi propria inspecție. În cazul în care găsiți o problemă care nu este explicată în manual, nu încercați să demontați echipamentul. În loc de aceasta, consultați centre de service autorizate Makita.

Stare defecțiune	Cauză posibilă	Remediu
Ferăstrăul cu lanț nu pornește.	Nicio sursă de alimentare.	Conectați sursa de alimentare. Verificați sursa de alimentare.
	Cablu defect.	Opriți imediat utilizarea mașinii și consultați centrul de service autorizat local.
	Defect mașină.	Opriți imediat utilizarea mașinii și consultați centrul de service autorizat local.
Lanțul nu se învârte.	Frâna de lanț este cuplată.	Eliberați frâna de lanț.
Performanțe insuficiente.	Perie de cărbune uzată.	Solicitați centrului de service autorizat local efectuarea reparațiilor.
Nu există ulei pe lanț.	Rezervorul de ulei este gol.	Umpleți rezervorul de ulei.
	Canalul de ghidare a uleiului este murdar.	Curățați canalul.
	Șurub de reglare pompă de ulei incorect ajustat.	Reglați rata de alimentare a pompei de ulei.
Lanțul nu se oprește chiar dacă frâna de lanț este cuplată.	Bandă de frânare uzată.	Opriți imediat utilizarea mașinii și consultați centrul de service autorizat local.
Mașina vibrează anormal.	Slăbiți lama de ghidare sau lanțul de ferăstrău.	Ajustați tensiunea lamei de ghidare și a lanțului de ferăstrău.
	Defect mașină.	Opriți imediat utilizarea mașinii și consultați centrul de service autorizat local.

014314

ACCESORII OPȚIONALE**⚠️ ATENȚIE:**

- Folosiți accesoriile sau piesele auxiliare recomandate pentru mașina dumneavoastră în acest manual. Utilizarea oricăror alte accesorii sau piese auxiliare poate cauza vătămări. Folosiți accesoriile pentru operațiunea pentru care au fost concepute.

Dacă aveți nevoie de asistență sau de mai multe detalii referitoare la aceste accesorii, adresați-vă centrului local de service Makita.

- Lanț de ferăstrău
- Capac lamă de ghidare
- Lamă de ghidare
- Ulei pentru lanț de ferăstrău

NOTĂ:

- Unele articole din listă pot fi incluse ca accesorii standard în ambalajul de scule. Acestea pot diferi în funcție de țară.

Опште објашњење

2-1. Полуга	12-1. Кука за кабл	18-2. Закључавање
2-2. Поклопац ланчаника	12-2. Кабл алата	18-3. Откључавање
3-1. Завртањ за подешавање	12-3. Продужни кабл	19-1. Штитник за предњу руку
4-1. Подешавање бројчаника	12-4. Утикач и утичница	19-2. Откључавање
5-1. Ланчаник	(облик се може разликовати у	19-3. Закључавање
6-1. Вођица полуге	зависности од земље)	20-1. Контролор нивоа уља
6-2. Отвор	13-1. Тастер за ослобађање из	22-1. Зупчasti граничник
7-1. Кука	блокираног положаја	26-1. Област изравњавања
7-2. Отвор	13-2. Окидни прекидач	29-1. Смер изравњавања
7-3. Игла	15-1. Поклопац резервоара за уље	29-2. Опасна зона
9-1. Полуга	15-2. Каиш	29-3. Излаз за случај опасности
9-2. Поклопац ланчаника	16-1. Попустите	31-1. Дужина сечења
10-1. Попустите	16-2. Причврстите	31-2. Растојање између резне ивице
10-2. Причврстите	16-3. Завртањ за подешавање ланца	и граничника дубине
10-3. Завртањ за подешавање ланца	16-4. Вођица полуге	31-3. Најмање 3 мм
10-4. Вођица полуге	16-5. Ланац тестере	32-1. Бочни угао плоче
10-5. Ланац тестере	17-1. Попустите	37-1. Вођица канала за уље
11-1. Попустите	17-2. Причврстите	37-2. Отвор за снабдевање уљем
11-2. Причврстите	17-3. Подешавање бројчаника	38-1. Ланчаник
11-3. Подешавање бројчаника	17-4. Вођица полуге	39-1. Граница истрошености
11-4. Вођица полуге	17-5. Ланац тестере	40-1. Поклопац држача четкице
11-5. Ланац тестере	18-1. Штитник за предњу руку	40-2. Одвијач

ТЕХНИЧКИ ПОДАЦИ

Модел	UC3050A	UC3051A	UC3550A	UC3550AP	UC3551A	UC4050A	UC4051A	UC4550A	UC4551A	
Максимална брзина ланца	14,5 м/с (870 м/мин)									
Стандардни мач	Дужина мача	300 мм	350 мм		400 мм	450 мм				
	Дужина сечења	260 мм	320 мм		355 мм	415 мм				
	Тип мача	Предња шипка ланчаника								
Стандардни ланац тестере	Тип	91PX								
	Дубина	3/8"								
	Бр. погонских карика	46	52		56	62				
Препоручена дужина мача	300 - 450 мм									
Укупна дужина (без траке са вођицом)	505 мм									
Нето тежина	5,4 кг	5,5 кг	5,5 кг	5,6 кг	5,5 кг	5,6 кг	5,7 кг			
Продужни кабл (опционо)	ДИН 57282/ХО 7РН -Ф Л=30 м макс.,3x1,5 мм ²									

- На основу нашег непрестаног истраживања и развоја задржавамо право измена горе наведених података без претходне најаве.
- Технички подаци могу да се разликују у различитим земљама.
- Тежина према процедури ЕПТА 01/2003

END218-7

Симбол

Доле су приказани симболи који се односе на алат. Пре прве употребе обавезно се упознајте са њиховим значењем.



• Прочитајте упутство за употребу и придржавајте се упозорења и безбедносних упутстава.



• Носите заштитне наочаре.








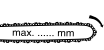






• Носите заштитне слушалице.

• ДВОСТРУКА ЗАШТИТНА ИЗОЛАЦИЈА

• Пажња: посебна пажња је неопходна!

• Пажња: извуците кабл из напајања одмах ако се кабл оштети!

• Пажња: повратни удар!

-  · Заштитите алат од кише и влаге!
-  · Носите шлем, заштитне наочаре и заштитне слушалице!
-  · Носите заштитне рукавице!
-  · Извучите кабл из напајања!
-  · Прва помоћ
-  · Максимална дозвољена дужина реза
-  · Смер кретања ланца
-  · Уље за ланац
-  · Кочница ланца је отпуштена
-  · Кочница ланца је активирана
-  · Забрањено!
-  · Само за земље ЕУ
Електричну опрему немојте да одлажете са отпадом из домаћинства!
У складу са европском директивом о отпаду од електричне и електронске опреме и њеном применом у складу са националним законом, електричну опрему на крају радног века неопходно је одвојено прикупити и вратити у еколошки прихватљиво постројење за рециклажу.

ENE085-1

Намена

Алат је намењен за резање дрвене грађе и дебала.

ENF002-2

Мрежно напајање

Алат сме да се прикључи само на монофазни извор мрежног напона који одговара подацима са натписне плочице. Алати су двоструко заштитно изоловани и зато могу да се прикључе и на мрежне утичнице без уземљења.

ENG905-1

Бука

Типичан ниво буке по оцени А одређен је према EN60745:

Ниво звучног притиска (L_{pA}): 90,8 dB (A)

Ниво звучне снаге (L_{WA}): 101,8 dB (A)

Толеранција (K): 2,5 dB (A)

Носите заштиту за слух

Вибрације

Укупна вредност вибрација (векторска сума у три правца) одређена је према EN60745:

Режим рада: резање дрвета

Вредност емисије вибрација (a_n): 5,2 m/s^2

Толеранција (K): 1,5 m/s^2

ENG901-1

- Декларисана емисиона вредност вибрација је измерена према стандардизованом мерном поступку и може се користити за упоређивање алата.
- Декларисана емисиона вредност вибрација се такође може користити за прелиминарну процену изложености.

⚠ УПОЗОРЕЊЕ:

- Емисиона вредност вибрација током реалне примене електричног алата може се разликовати од декларисане емисионе вредности што зависи од начина на који се користи алат.
- Уверите се да сте идентификовали безбедносне мере за заштиту руковаоца које су засноване на процени изложености у реалним условима употребе (као и у свим деловима радног циклуса као што је време рада уређаја, али и време када је алат искључен и када ради у празном ходу).

ENH030-5

Само за европске земље

ЕЗ Декларација о усклађености

Makita изјављује за следећу(е) машину(е):

Ознака машине:

Ланчана тестера

Број модела/ Тип: UC3050A, UC3550A, UC4050A, UC4550A, UC3051A, UC3551A, UC3550AP, UC4051A, UC4551A

Технички подаци: погледајте табелу

„ТЕХНИЧКИ ПОДАЦИ“.

Усклађена са следећим европским смерницама:

2000/14/EC, 2006/42/EC

Да је произведена у складу са следећим стандардом или стандардизованим документима:

EN60745

Бр. сертификата испитивања типа EC5514056,14005
Испитивање EC типа према стандарду 2006/42/EC обавио је:

DEKRA Testing and Certification GmbH

Enderstraße 92b

01277 Dresden

Немачка

Идентификациони бр. 2140

Техничка датотека у складу са 2006/42/E3 доступна је на:

Makita, Jan-Baptist Vinkstraat 2, 3070, Белгија

Поступак процене усклађености којег налаже директива 2000/14/E3 био је у складу са анексом V. Измерени ниво звучне снаге: 101,9 dB (A) Гарантовани ниво звучне снаге: 103 dB (A)

4.9.2014



000331

Yasushi Fukaya
Директор

Makita, Jan-Baptist Vinkstraat 2, 3070, Белгија

GEA010-1

Општа безбедносна упозорења за електричне алате

⚠ УПОЗОРЕЊЕ Прочитајте сва безбедносна упозорења и упутства. Непоштовање доле наведених упозорења и упутстава може изазвати електрични удар, пожар и/или озбиљну повреду.

Сачувајте сва упозорења и упутства за будуће потребе.

GEB037-8

Безбедносна упозорења за ланчану тестеру

1. Све делове тела држите даље од ланца тестере када ланчана тестера ради. Пре него што покренете ланчану тестеру, уверите се да на ланцу тестере нема ничега. Тренутак непажње приликом руковања ланчаним тестерама може да доведе до уплитања одеће или дела тела у ланчану тестеру.
2. **Увек држите десном руком задњу ручку ланчане тестере, а левом предњу ручку.** Ако ланчану тестеру држите обрнутим положајем руку, повећава се ризик од телесних повреда, па то никада не треба радити.
3. **Електрични алат држите само за изоловане рукохвате јер ланац тестере може да додирне сакривене жице сопственог кабла.** Ланци тестера који додирну струјни кабл под напоном могу да ставе под напон изложене металне делове електричног алата и да изложе руковаоца електричном удару.
4. **Носите заштитне наочаре и слушалице.** Препоручује се и додатна заштитна опрема за главу, руке, ноге и стопала. Одговарајућа заштитна одећа умањите телесне повреде од летећих опилјака или случајног контакта са ланцем тестере.
5. **Немојте да рукујете ланчаном тестером док сте на дрвету.** Руковање ланчаном тестером док сте у крошњи дрвета може да доведе до телесних повреда.

6. **Увек обезбедити чврст ослонац испод ногу, а ланчаном тестером рукујте само док стојите на фиксираној, безбедној и равnoj површини.** Клизаве или нестабилне површине као што су мердевине могу да доведу до губитка равнотеже или контроле над ланчаном тестером.
7. **Када сечете грану која је под тензијом, пазите се повратног удара.** Када се тензија у влакнима дрвета ослободи, грана под тензијом може да удари руковаоца и/или да доведе до губитка контроле над ланчаном тестером.
8. **Будите изузетно пажљиви када сечете грмље и стабљике.** Танки материјали могу да се ухвате у ланчану тестеру и буду одбачени према вама или да вас избаце из равнотеже.
9. **Ланчану тестеру носите искључену и држећи је за предњу ручку, даље од тела.** Приликом транспорта или одлагања ланчане тестере увек монтирајте поклопац мача. Исправним руковањем ланчаном тестером умањићете могућност случајног контакта са ланцем тестере у покрету.
10. **Придржавајте се упутстава за подмазивање, затезање ланца и промену додатног прибора.** Неисправно затегнут или подмазан ланац може да се поломи или да повећа могућност повратног удара.
11. **Побрините се да ручке буду суве, чисте и без уља или мазива.** Масне, науљене ручке су клизаве и могу да узрокују губитак контроле.
12. **Режите само дрво.** Ланчану тестеру користите само за послове за које је намењена. На пример: немојте да користите ланчану тестеру за резање пластичних, зиданих или недрвених материјала. Коришћење ланчане тестере за обављање других послова за које није намењена могло би да доведе до опасне ситуације.
13. **Узроци повратног удара и његово спречавање:**

До повратног удара може да дође када нос или врх мача додирне предмет или када дрво обухвати и укљешти ланчану тестеру у резу.

Додир врха у неким случајевима може да узрокује нагло обрнуту реакцију, одбацујући мач нагоре и уназад ка руковаоцу.

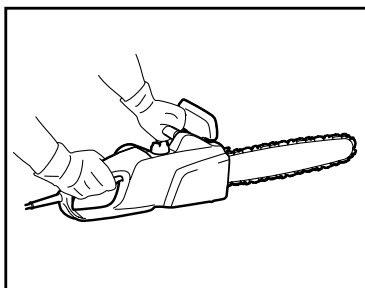
Укљештењем ланца тестере дуж горњег дела мача може да дође до брзог одгуривања мача уназад ка руковаоцу.

Свака од ових реакција може да доведе до губитка контроле над тестером што би могло да узрокује озбиљне телесне повреде. Немојте да се ослањате искључиво на безбедносне уређаје уграђене у тестеру. Као корисник ланчане тестере требало би да предузмете неколико корака како бисте били сигурни да

током обављања задатака сечења неће доћи до несреће или повреде.

Повратни удар је резултат неправилне употребе алата и/или неправилних радних процедура или услова и може се избећи предузимањем одговарајућих мера опреза које су наведене у наставку:

- **Чврсто држите тестеру тако да палчеви и прсти обухватају дршке ланчане тестере, држећи је са обе руке, а тело и руку поставите тако да можете да се одупрете силама повратног удара.** Руковалац може да контролише силе повратног удара уз одговарајуће мере предострожности. Немојте да пуштате ланчану тестеру.



014316

- **Немојте да се пропињете да бисте нешто исекли и немојте да сечете нешто што је изнад висине ваших рамена.** На тај начин ћете спречити нежељени контакт са врхом тестере и омогућити бољу контролу над ланчаном тестером у неочекиваним ситуацијама.
- **Користите само оне резервне мачеве и ланце које је навео произвођач.** Неодговарајући резервни мачеви и ланци могу да доведу до прекидања ланца и/или повратног удара.
- **Пратите упутства произвођача за оштрење и одржавање ланчане тестере.** Смањивање висине мерача дубине може да доведе до повећаног повратног удара.

ДОДАТНА БЕЗБЕДНОСНА ПРАВИЛА

1. Прочитајте упутство за употребу да бисте се упознали са радом ланчане тестере.
2. Пре прве употребе ланчане тестере, побрините се да добијете упутства за њен рад. Ако то није могуће, пре него што почнете са радом барем вежбајте резање округле дрвене грађе на постољу.
3. Ланчану тестеру не смеју да користе деца или особе млађе од 18 година. Младе особе које имају више од 16 година могу да буду изузете од овог ограничења ако су прошли обуку под надзором стручњака.

4. Рад са ланчаном тестером захтева висок ниво концентрације. Немојте да рукујете тестером ако се не осећате добро или спремно. Сав рад обављајте смирено и пажљиво.
5. Никада немојте да радите под утицајем алкохола, дроге или лекова.

Исправно коришћење

1. Ланчана тестера је намењена искључиво за резање дрвета. Немојте да је користите на пример за резање пластике или порозног бетона.
2. Ланчану тестеру користите само за радове описане у овом упутству. **Немојте** да је користите, на пример, за подсецање оgrade или сличне намене.
3. Ланчана тестера се не сме користити за шумарске послове, нпр. за сечу или резање грана дрвене грађе. Кабл ланчане тестере не пружа руковаоцу мобилност и безбедност потребне за такве послове.
4. Ланчана тестера није намењена за комерцијалну употребу.
5. Немојте да преоптерећујете ланчану тестеру.

Телесна заштитна опрема

1. Одећа не сме да буде широка, али не сме ни да ограничава покретљивост.
2. Током рада носите следећу заштитну одећу:
 - Тестирани безбедносни шлем, ако опасност могућа услед пада грана или сличног;
 - Маска за лице или заштитне наочаре;
 - Одговарајућа заштита за слух (слушалице за уши, прилагођени или прилагодљиви чепови за уши). Анализа јачине звука на захтев.
 - Чврсте кожне заштитне рукавице;
 - Дугачке панталоне направљене од јаког материјала;
 - Заштитне радне панталоне од материјала отпорног на резове;
 - Заштитне ципеле или чизме са неклизалућим ђоном, челичним ојачањем за прсте и поставом отпорном на резове;
 - Маска за дисање током обављања послова који производе прашину (нпр. тестерисање сувог дрвета).

Заштита од струјног удара



- Ланчана тестера не сме да се користи за по влажном времену или окружењу у коме постоји влага јер електрични мотор није водоотпоран.
1. Утикач тестере прикључите само у утичнице са тестираним струјним колом. Проверите да ли се напон система подудара са напоном који је наведен на плочици. Проверите да ли је на кабл инсталиран осигурач од 16 А. Тестере које се користе на отвореном морају да буду повезане на прекидач који ради на

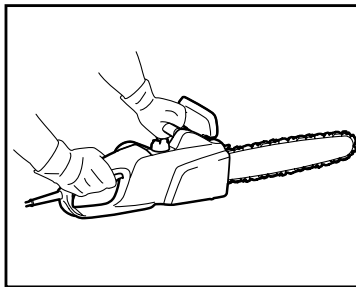
диференцијалну струју чија радна струја није већа од 30 mA.



Ако се кабл оштети, одмах искључите утикач из утичнице.

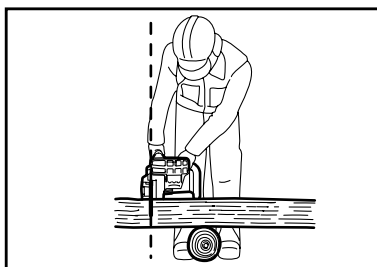
Безбедна радна пракса

- Пре него што почнете са радом, проверите да ли је ланчана тестера у исправном радном стању, као и да ли је њено стање у складу са безбедносним одредбама. Нарочито проверите следеће:
 - да ли кочница за ланац ради исправно;
 - да ли кочница за прекидање напајања ради исправно;
 - да ли су мач и поклопац ланчаника исправно монтирани;
 - да ли је ланац наоштрен и затегнут у складу са одредбама;
 - да ли су кабл и утичница за напајање неоштећени;погледајте одељак „ПРОВЕРЕ“.
- Сваки пут проверите посебно да ли је продужни кабл који се користи одговарајућег попречног пресека (погледајте „ТЕХНИЧКИ ПОДАЦИ“). Када користите намотај кабла, одмотајте кабл у потпуности са намотаја. Када користите тестеру на отвореном, уверите се да је кабл који користите намењен за употребу на отвореном и да ли је адекватно стандардизован.
- Кабл држите даље од области резања и поставите га да се током резања не ухвати у гране и слично.
- Немојте да рукујете ланчаном тестером у близини запаљиве прашине или гасова јер мотор прави варнице и представља **ризик од експлозије**.
- Радите само на чврстој подлози и са добрим ослоњцем за ноге. Посебну пажњу обратите на препреке (нпр. кабл) у радној области. Нарочито будите пажљиви у ситуацијама када влага, лед, снег, свеже исечено дрво или кора могу да учине површине клизавим. Немојте да стојите на мердевинама или дрвећу док користите тестеру.
- Посебну пажњу посветите раду на нагнутом терену; котрљајућа дебла и гране представљају потенцијалну опасност.
- Никада немојте да сечете изнад висине рамена.
- Држите ланчану тестеру са обе руке док је укључујете и користите.** Држите задњу ручку десном руком, а предњу ручку левом руком. Чврсто држите ручке палчевима. Мач и ланац не смеју да буду у контакту са другим предметима док је тестера укључена.



014316

- Из области у којој ћете сећи уклоните стране предмете попут песка, камења, ексера, жице итд. Страни предмети могу да оштете мач и ланац и могу да доведу до опасног повратног удара.
- Посебно пазите док сечете у близини жичаних ограда. Немојте да сечете ограду јер тестера може да се одбаци уназад.
- Немојте да сечете земљу.
- Сеците дрва појединачно, а не у сноповима или хрпама.
- Избегавајте да користите тестеру за сечење танких грана и корења јер могу да се уплету у ланчану тестеру. Губитак равнотеже представља опасност.
- Користите чврсту потпору (постоље) када режете резано дрво.
- Ланчану тестеру немојте да користите за отварање или померање делова дрвета и других предмета.
- Водите ланчану тестеру тако да ниједан део тела не буде на путу ланчане тестере (погледајте слику).

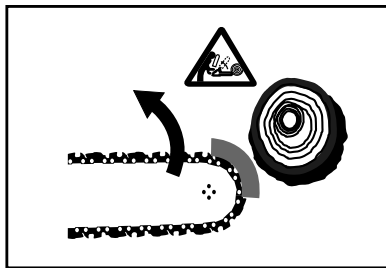


006909

- Док се крећете унаоколо између операција сечења активирајте кочницу ланца да се ланац не би случајно укључио. Када носите ланчану тестеру држите је за предњу ручку и немојте да држите прст на прекидачу.
- Извуците утичницу када правите паузе или остављате ланчану тестеру без надзора. Оставите је на месту на коме не може да представља опасност.

Повратни удар

- Током рада са ланчаном тестером може да дође до опасног повратног удара. До повратног удара долази када врх мача (нарочито горња четвртина) дође у контакт са дрветом или другим чврстим предметом. Ово узрокује окретање ланчане тестере у смеру руковаоца.

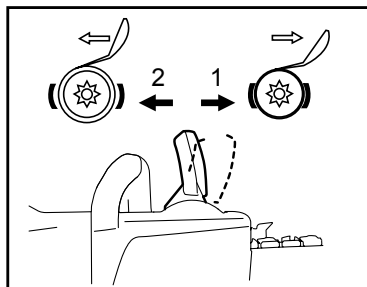


006919

2. Да бисте избегли повратни удар, придржавајте се следећег:
 - Никада немојте да започињете рез врхом мача.
 - Никада немојте да користите врх мача за сечење. Нарочито пазите када настављате резове који су раније већ почети.
 - Почните да сечете док се ланац окреће.
 - Увек добро наоштрите ланац. Посебну пажњу посветите подешавању граничника дубине на одговарајућу висину.
 - Никада немојте да сечете неколико грана одједном.
 - Када орезујете гране, пазите да мач не дође у контакт са другим гранама.
 - Приликом резања дебла на пањеве, држите одстојање од суседних дебала. Увек пазите врх мача.
 - Користите постоље.

Заштитне функције

1. Увек проверите да ли безбедносне функције раде пре него што почнете са послом. Немојте да користите ланчану тестеру ако безбедносне функције не раде исправно.
 - **Кочница за ланац:**
Ланчана тестера је опремљена кочницом за ланац која потпуно зауставља ланчану тестеру у делу секунде. Активира се када се штитник за руку гурне унапред. Ланчана тестера се затим зауставља у току од 0,15 с, а напајање мотора се прекида.



014317

- **Кочница за прекидање напајања:**
Ланчана тестера је опремљена кочницом прекидање напајања која потпуно зауставља ланчану тестеру у делу секунде. То спречава да ланац тестере настави да се окреће када се искључи представљајући опасност на тај начин.

- **Предњи и задњи штитници за руку** штите корисника од повреде деловима дрвета који могу да буду одбачени уназад или од прекинутог ланца тестере.
- **Блокада окидача** спречава ненамерно укључивање ланчане тестере.
- **Хватач ланца** штити корисника од повреда у случају да удара или прекидања ланца.

Транспорт и одлагање



- Када се ланчана тестера не користи или се транспортује, искључите утикач из утичнице и ставите поклопац мача који је достављен уз тестеру. Никада немојте да носите или транспортујете тестеру док ланац тестере ради.
1. Ланчану тестеру носите држећи је само за предњу ручку, мача окренуто уназад.
 2. Држите ланчану тестеру на безбедном, сувом и закључаном месту, ван домаћаја деце. Немојте да одлажете ланчану тестеру на отвореном.

ОДРЖАВАЊЕ

1. Извуците утикач из утичнице пре обављања подешавања и одржавања.
2. Редовно проверавајте да ли изолација кабла за напајање није оштећена.
3. Редовно чистите ланчану тестеру.
4. Свако оштећење пластичног кућишта поправите исправно и одмах.
5. Немојте да користите тестеру ако прекидач не ради исправно. Поправите га на одговарајући начин.
6. Ни под којим условима немојте да модификујете ланчану тестеру. Ваша безбедност се излаже ризику.
7. Немојте обављати радове на одржавању или поправке осим оних описаних у овом упутству за употребу. Све друге послове морају да обаве овлашћени сервисни центри.
8. Користите само оригиналне резервне делове и прибор намењен вашем моделу тестере. Употреба других делова повећава ризик од несреће.
9. Не прихватамо никакву одговорност за несреће или штету до које је дошло услед коришћења неодобрених мачева, ланца тестере или других резервних делова или прибора.

Прва помоћ



- Немојте да радите сами. Увек радите на удаљености од друге особе на којој допире глас.

1. Увек држите комплет за прву помоћ при руци. Све артикле који су узети из комплета одмах надоместите новим.
2. Ако будете затражили помоћ у случају несреће, наведите следеће податке:
 - Где се несрећа десила?
 - Шта се десило?
 - Колико особа је повређено?
 - Које повреде имају?
 - Ко пријављује несрећу?

НАПОМЕНА:

Појединци са лошом циркулацијом које су изложене прекомерним вибрацијама могу да искусе повреду крвних судова или нервног система.

Вибрације могу да узрокују следеће симптоме у прстима, рукама или зглобовима: трњење, голицање, бол, осећај убода, промена боје коже или саме коже.

Ако имате било који од ових симптома, обратите се лекару!

САЧУВАЈТЕ ОВО УПУТСТВО.

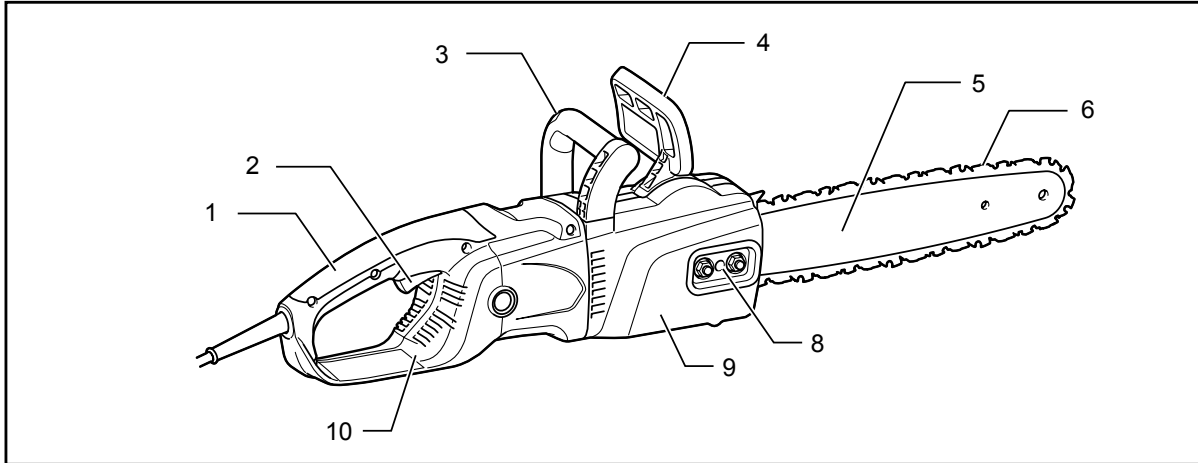
⚠УПОЗОРЕЊЕ:

НЕ дозволите да строга безбедносна правила која се односе на овај производ буду занемарена због чињенице да сте производ добро упознали и стекли рутину у руковању са њим. **НЕНАМЕНСКА УПОТРЕБА** или непоштовање правила безбедности наведених у овом упутству могу довести до озбиљних повреда.

ОЗНАКЕ ДЕЛОВА

(Модел са навртком: поклопац ланчаника причвршћен је наврткама.)

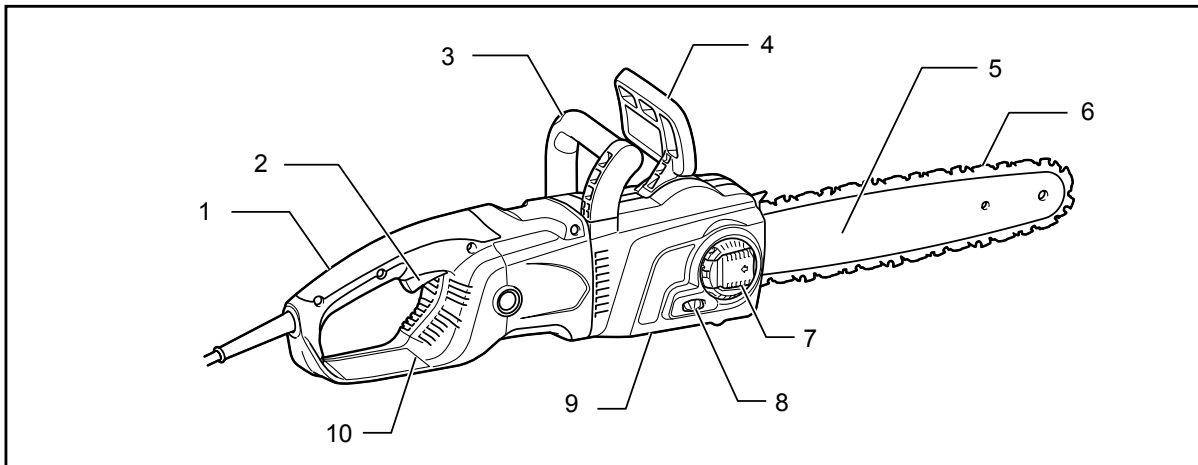
За модел UC3050A, UC3550A, UC3550AP, UC4050A, UC4550A



014372

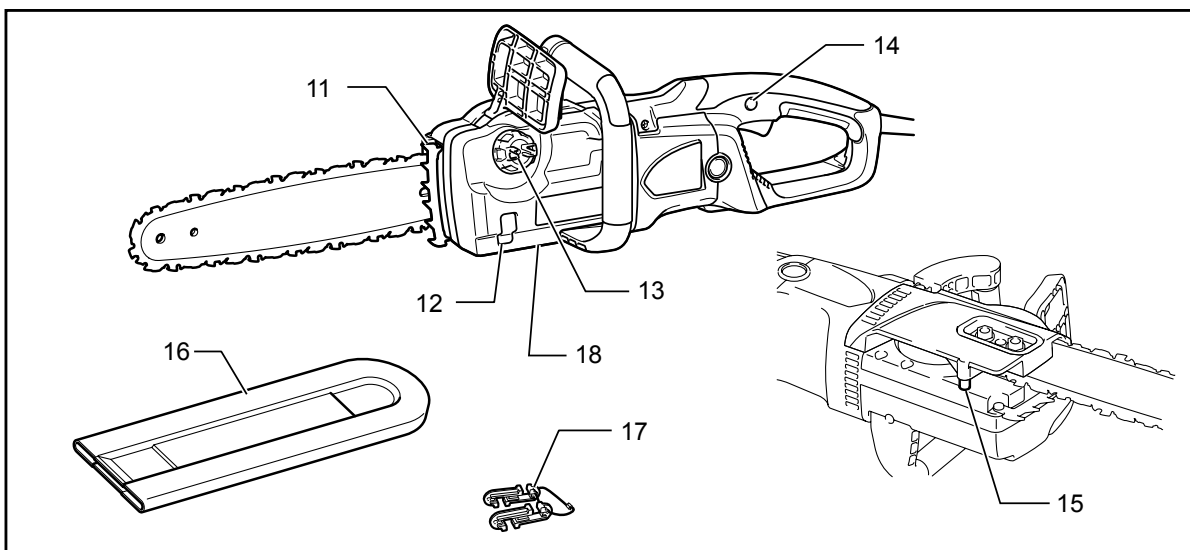
(Модел са полугом: поклопац ланчаника причвршћен је полугом.)

За модел UC3051A, UC3551A, UC4051A, UC4551A



014373

(За све моделе)



014514

1	Задња ручка	7	Полуга	13	Поклопац резервоара за уље
2	Окидни прекидач	8	Завртањ/точкић за подешавање	14	Тастер за ослобађање из блокираног положаја
3	Предња ручка	9	Поклопац ланчаника	15	Хватач ланца
4	Штитник за предњу руку	10	Штитник за задњу руку	16	Поклопац мача
5	Вођица полуге	11	Зупчasti граничник	17	Кука за кабл
6	Ланац тестере	12	Контролор нивоа уља	18	Завртањ за подешавање пумпе за уље (на доњем делу)

014375

МОНТАЖА

⚠ ПАЖЊА:

- Пре извођења радова на алату увек проверите да ли је искључен и да ли је утикач извучен из утичнице.

Уклањање или постављање поклопаца ланчаника

Да бисте скинули поклопац ланчаника предузмите следеће кораке:

(За моделе са навртком)

слика1

Олабавите навртку.

(За моделе са полугом)

слика2

Притисните и потпуно отворите полуку док се не заустави.

Окрените полуку у смеру супротном кретању казаљке на сату.

Да бисте поставили поклопац ланчаника предузмите горње кораке обрнутим редоследом.

Демонтажа или монтажа ланца тестере

⚠ ПАЖЊА:

- Увек носите рукавице приликом постављања или скидања ланца тестере.

Да бисте скинули ланац тестере предузмите следеће кораке:

- Олабавите поклопац ланчаника.
- (За моделе са навртком) Окрените завртањ за подешавање ланца у смеру супротном кретању казаљке на сату да бисте смањили затегнутост ланца тестере.
(За моделе са полугом) Окрените точкић за подешавање у положај „-“ да бисте смањили затегнутост ланца тестере.

слика3

слика4

- Скините поклопац ланчаника.
- Скините ланац и мач са ланчане тестере.

Да бисте поставили ланац тестере предузмите следеће кораке:

- Проверите смер ланца. Знак стрелице на ланцу показује смер ланца.

слика5

6. Причврстите један крај ланца тестере на врх мача, а други крај око ланчаника.
7. Поставите мач на ланчану тестеру.
8. Поставите клизач за затезање у раван са отвором мача.

слика6

9. Држећи мач, окрените завртањ/точкић за подешавање ланца да бисте подесили затегнутост ланца тестере.
10. Поставите поклопац ланчаника тако да куке дођу наспрам отвора и да клин упадне на своје место на поклопцу ланчаника.

слика7

11. Причврстите поклопац ланчаника.

слика8

слика9

Подешавање затегнутости ланца

Ланац тестере може да се олабави после много часова употребе. С времена на време проверите затегнутост ланца пре употребе.

1. Лагано олабавите поклопац ланчаника.
2. Благо подигните мач.
3. Окрећите завртањ/точкић за подешавање да бисте подесили затегнутост ланца тестере.

слика10

слика11

4. Затезите ланац тестере све док доња страна ланца тестере не упадне у вођицу мача (погледајте кружић).
5. И даље лагано придржавајте мач. Причврстите поклопац ланчаника након што подесите затегнутост ланца. Проверите да ланац тестере није олабављен са доње стране.

Проверите да ли ланац тестере належе непосредно на доњу страну мача.

⚠ ПАЖЊА:

- Немојте превише да затезете ланац тестере. Превелика затегнутост ланца тестере може да доведе до киданја ланца, хабања мача и лома бројчаника за подешавање.
- Сувише лабав ланац може да одскочи са мача и због тога представља потенцијалну опасност.
- Поступак монтаже или демонтаже ланца тестере обавите на неком чистом месту без пиљевине и сличних нечистоћа.

Повезивање продужног кабла

⚠ ПАЖЊА:

- Постарајте се да продужни кабл буде искључен из утичнице за напајање.

слика12

Када прикључујете продужни кабл причврстите га за кабл ланчане тестере уз помоћ куке за кабл. Причврстите куку за кабл на растојању од око 100 – 200 мм од конектора продужног кабла. Ово спречава ненамерно искључивање.

РАД

⚠ ПАЖЊА:

- Чврсто држите алат десном руком за задњу ручку, а левом руком за предњу ручку док рукујете њиме.

Функционисање прекидача

слика13

⚠ ПАЖЊА:

- Увек проверите да ли је алат искључен и извучен из утичнице пре него што проверите функционисање прекидача.
- Пре прикључивања алата на мрежу увек проверите да ли прекидач ради правилно и да ли се враћа у положај „OFF“ (искључивање) пошто га пустите.

Да не би дошло до случајног повлачења прекидача, обезбеђен је тастер за ослобађање из блокираног положаја.

Да бисте покренули алат, отпустите тастер за ослобађање из блокираног положаја и повуците прекидач. За заустављање алата пустите прекидач.

Подмазивање

⚠ ПАЖЊА:

- Пре подмазивања ланчане тестере сваки пут проверите да ли је алат искључен и извучен из утичнице.

слика14

Подмазујте ланац тестере и мач биоразградивим уљем за ланце тестера са агенсом пријањања. Агенс пријањања у уљу за ланце тестера спречава да оно брзо буде одбачено са тестере. Не смеју да се користе минерална уља јер су штетна за животну средину.

⚠ ПАЖЊА:

- Не дозволите да уље дође у контакт са кожом и очима. Ако доспе у очи, долази до иритације. У том случају одмах исперите очи чистом водом, а затим се хитно обратите лекару.
- Никада немојте да користите отпадно уље. Отпадно уље садржи канцерогене супстанце. Контаминирајуће материје у отпадном уљу убрзавају хабање пумпе за уље, траке за вођење и ланца. Отпадно уље је штетно по животну средину.

- Када први пут сипате уље за ланац у ланчану тестеру или када допуњујете резервоар када се потпуно испразни, додајте уље до доње ивице грлића пуњача. У супротном доћи ће до смањеног довођења уља.

слика15

Да бисте допунили уље предузмите следеће кораке:

- Темељно очистите подручје око поклопца пуњача уља да у резервоар са уљем не би доспеле било какве нечистоће.
- Одвртите поклопац пуњача уља и додајте уље до доње ивице грлића пуњача.
- Поново чврсто завртите поклопац пуњача уља.
- Пажљиво очистите проливено уље за ланац.

НАПОМЕНА:

- Када први пут употребљавате ланчану тестеру, потребно је до два минута да уље за ланчану тестеру почне да подмазује механизам тестерисања. Пустите тестеру да ради у слободном ходу док не почне да делује (погледајте одељак „ПРОВЕРЕ“).

ПРОВЕРЕ

Пре почетка рада обавите следеће провере:

Провера затегнутости ланца

⚠ УПОЗОРЕЊЕ:

- Пре провере затегнутости ланца сваки пут извучите утикач из утичнице и носите заштитне рукавице.

(За моделе са навртком)

слика16

(За моделе са полугом)

слика17

Проверите да ли ланац тестере належе непосредно на доњу страну мача (погледајте кружић).

Често проверавајте затегнутост ланца јер су нови ланци подложни издуживању.

Превелика затегнутост ланца тестере може да доведе до кидања ланца, хабања мача и лома бројчаника за подешавање.

Сувише лабав ланац може да одскочи са мача и због тога представља потенцијалну опасност.

Ако је ланац превише лабав: Погледајте поглавље „Подешавање затегнутости ланца тестере“ и још једном подесите затегнутост ланца тестере.

Провера функционисања прекидача

⚠ ПАЖЊА:

Пре прикључивања алата на мрежу увек проверите да ли прекидач ради правилно и да ли се враћа у положај „OFF“ (искључивање) пошто га пустите.

Да не би дошло до случајног повлачења прекидача, обезбеђен је тастер за ослобађање из блокираног положаја.

Да бисте покренули алат, отпустите тастер за ослобађање из блокираног положаја и повуците прекидач. За заустављање алата пустите прекидач. Немојте снажно да повлачите прекидач ако нисте отпустили тастер за ослобађање из блокираног положаја. То може да доведе до ломљења прекидача.

Провера кочнице ланца

НАПОМЕНА:

- Уколико се ланчана тестера не покрене, проверите да ли је отпуштена кочница ланца. Да бисте отпустили кочницу ланца, снажно повуците штитник руке уназад док не осетите да је шкљоцнуо.

слика18

слика19

Проверите кочницу ланца на следећи начин:

- Држите ланчану тестеру обема рукама док је укључујете. Десном руком држите задњу ручку, а левом предњу ручку. Пазите да мач и ланац не дођу у додир са неким предметом.
- Прво притисните тастер за ослобађање из блокираног положаја, а затим окидач за укључивање. Ланчана тестера се одмах покреће.
- Надланицом притисните предњи штитник руке унапред. Ланац тестере мора одмах да се заустави.

⚠ ПАЖЊА:

- Уколико се ланац тестере не заустави одмах, ни у ком случају немојте користити тестеру. Обратите се Makita овлашћеном сервисном центру.

Провера кочнице за прекидање напајања

Укључите ланчану тестеру.

Отпустите прекидач до краја. Ланац тестере мора да се заустави у року од једне секунде.

⚠ ПАЖЊА:

- Уколико се ланац тестере не заустави одмах, ни у ком случају немојте користити тестеру. Обратите се Makita овлашћеном сервисном центру.

Провера система подмазивања уљем

Пре почетка рада проверите ниво уља у резервоару, као и доток уља.

Ниво уља може да се види кроз прозорчић приказан на слици.

слика20

Проверите доток уља на следећи начин:

Покрените ланчану тестеру.

Док тестера ради држите ланац тестере приближно 15 цм изнад стабла дрвета или изнад тла. Ако је подмазивање довољно, распршивач уља створиће једва видљиви траг уља.

Узмите у обзир смер ветра и немојте непотребно да се излажете распршивачу уља.

⚠ ПАЖЊА:

- Ако се не формира траг уља, немојте да употребљавате тестеру. У супротном, скратиће се век трајања ланца. Проверите ниво уља. Очистите жлеб за довођење уља и отвор за довођење уља у траци за вођење (погледајте одељак „ОДРЖАВАЊЕ“).

Подешавање подмазивања ланца

слика21

Можете да подесите брзину довода уља на пумпи за уље помоћу завртња за подешавање.

РАД СА ЛАНЧАНОМ ТЕСТЕРОМ

⚠ ПАЖЊА:

- Увек користите предњу ручку и задњу ручку и чврсто држите алат и за предњу ручку и за задњу ручку током рада.
- Увек причврстите дебло које сечете јер исечени парчићи могу да доведу до повреде руковаоца.

Уздужно резање

слика22

Да бисте уздужно резали, ослоните зупчасти граничник приказан на слици на дрво које треба да тестерите.

Док се ланац тестере окреће засеците у дрво користећи задњу ручку за подизање тестере, а предњу за вођење. Употребљавајте зупчасти граничник као стожер.

Наставите рез примењујући слаби притисак на предњу ручку, благо попуштајући притисак на задњи део тестере. Померајте зупчасти граничник даље дуж дебла, а затим поново подигните предњу ручку. Када правите неколико резова, искључите ланчану тестеру између резова.

⚠ ПАЖЊА:

- Ако горњу ивицу мача употребљавате за резање, ланчана тестера може да скрене ка вама ако се ланац заглави. Из тог разлога тестерите доњом ивицом тако да тестера скрене далеко од вашег тела.

слика23

Прво тестерите дрво под напоном на страни притиска (А). Затим изведите завршни рез на страни напона (Б). Ово спречава заглављивање мача.

слика24

Орезивање грана

⚠ ПАЖЊА:

- Само увежбане особе могу да резују гране. Потенцијалну опасност представља повратни удар.

Приликом орезивања грана ослоните ланчану тестеру о дебло, ако је могуће. Немојте да тестерите врхом мача јер постоји опасност од повратног удара.

Обратите посебну пажњу на гране под напоном. Немојте да режете неподупрте гране са доње стране. Приликом орезивања грана немојте да стојите на обореном стаблу.

Урезивање и тестерисање паралелно са влакнима

⚠ ПАЖЊА:

- Урезивање и тестерисање паралелно са влакнима могу да обављају само посебно обучене особе. Могућност повратног удара представља ризик од повреде.

слика25

Тестерисање паралелно са влакнима изводите под што мањим углом. Тестерите што пажљивије јер зупчасти граничник не може да се користи.

Обарање дрвећа

⚠ ПАЖЊА:

- Само увежбане особе могу да обарају дрвеће. Овај поступак је опасан.

Придржавајте се локалних прописа ако желите да обарате дрвеће.

слика26

- Пре него што почнете да обарате дрво, уверите се:
 - (1) да се у близини налазе само особе укључене у посао обарања дрвета;
 - (2) да све особе које учествују у обарању дрвета располажу путањом за несметано повлачење кроз подручје од приближно 45° са сваке стране осе обарања. Узмите у обзир и додатни ризик од спотицања преко електричних каблова;
 - (3) да је подножје стабла ослобођено од страних предмета, корења и граница;
 - (4) да на удаљености од 2 1/2 дужине стабла нема особа или предмета у смеру у коме ће стабло пасти.
- Узмите у обзир следеће услове приликом обарања одређеног дрвета:
 - смер нагнутости;
 - климаве или суве гране;
 - висину дрвета;
 - природну савијеност дрвета;
 - да ли је дрво труло или није.
- Узмите у обзир брзину и смер ветра. Немојте да обарате дрвеће ако ветар јако дува.
- Поткресивање испупченог корења: почните са највећим испупчењем. Прво изведите вертикални рез, а затим хоризонтални.

слика27

- Урезивање засека: Засек одређује смер пада дрвета и води га. Прави се на страни на коју дрво

треба да падне. Урежите засек што ближе земљи. Прво направите хоризонтални рез до дубине од 1/5 - 1/3 пречника стабла. Немојте да правите сувише велики засек. Затим изведите дијагонални рез.

- Урежите исправке засека читавом ширином.

слика28

- Изведите задњи рез мало више од основног реза засека. Задњи рез мора да буде прецизно хоризонталан. Оставите приближно 1/10 пречника стабла између задњег реза и засека. Дрвена влакна у незарезаном делу стабла служе као шарка. Ни под којим условима немојте да режете право кроз влакна јер ће дрво у супротном пасти непредвиђено. На време убаците клинове у засек.
- Да би засек остао отворен, користите само пластичне или алуминијумске клинове. Употреба гвоздених клинова је забрањена.
- Станите бочно у односу на дрво које пада. Нека подручје иза дрвета које обарате буде чисто до угла од 45° са обе стране осе дрвета (погледајте слику „подручја обарања“). Обратите пажњу на гране које падају.
- Потребно је испланирати и рашчистити путању за спасавање пре него што почнете са било којим сечењем. Путања за спасавање треба да досеже уназад и дијагонално од задњег дела очекиване линије пада као што је илустровано на слици.

слика29

ОДРЖАВАЊЕ

⚠ ПАЖЊА:

- Пре него што почнете с прегледом или одржавањем алата, проверите да ли је алат искључен а утикач извучен из утичнице.
- Када обављате радове провере или одржавања увек носите рукавице.
- Немојте да користите нафту, бензин, разређивач, алкохол и слично. Могу се појавити губитак боје, деформација или оштећење.

Радове одржавања описане испод обављајте у редовним временским интервалима. Гарантни захтеви биће прихваћени само ако их спроводите редовно и прописно. Корисник може да изводи само радове на одржавању описане у овом упутству за употребу. Све друге послове морају да обаве МАКИТА овлашћени сервисни центри.

Чишћење ланчане тестере

Редовно чистите тестеру чистом крпом. Водите рачуна да ручке не буду замазане уљем.

Провера пластичног кућишта

Редовно визуелно проверавајте све делове кућишта. Ако је било који део оштећен, одмах га пошаљите на адекватну поправку у МАКИТА овлашћени сервисни центар.

Оштрење ланчане тестере

⚠ ПАЖЊА:

- Пре било каквих радова на ланцу тестере увек извучите кабл за напајање и носите заштитне рукавице.

слика30

Наоштрите ланац тестере у следећим

ситуацијама:

- када се ствара брашнаста прашина услед тестерисања влажног дрвета;
- када ланац тешко продире у дрво чак и када примените јак притисак;
- када су резне ивице очигледно оштећене;
- Када тестера вуче улево или удесно у дрво. Разлог за то је неравномерна наоштреност ланца тестере или оштећење само једне стране.

Често оштрите ланац тестере, али сваки пут

скините само мали део материјала.

Обично су два или три покрета турпијом довољна за рутинско оштрење. Ако сте више пута сами оштрили ланац тестере, нека га наоштри МАКИТА овлашћени сервисни центар.

Критеријуми за оштрење:

- Сви зупци морају да буду једнаке дужине. Зупци различитих дужина доводе до неравномерног рада ланца и могу да изазову лом ланца.
- Немојте да оштрите ланац када се достигне минимална дужина зупца од 3 мм. Тада треба поставити нови ланац.
- Дебљина иверке одређена је удаљеношћу између граничника дубине (округли предњи део) и резне ивице.
- Најбољи резултати резања добијају се код следећих растојања између резне ивице и граничника дубине.

Сечиво ланца 91PX: 0,65 мм

слика31

⚠ УПОЗОРЕЊЕ:

- Прекомерна удаљеност повећава ризик од повратног удара.
- Угао оштрења од 30° мора да буде исти на свим зупцима. Различити углови могу да доведу до неравног и неравномерног рада ланца, до убрзаног хабања и лома ланца.
- Бочни угао плоче зупца одређен је дужином продирања округле турпије. Ако прописно употребљавате спецификовану турпију, аутоматски се добија исправан бочни угао плоче.
- Бочни угао плоче за сваки ланац тестере је следећи:

Сечиво ланца 91PX: 80°

слика32

Турпија и вођење турпије

- Употребљавајте специјалну округлу турпију (додатни прибор) за ланац тестере да бисте га наоштрили. Обичне округле турпије нису одговарајуће.
- Пречник округле турпије за сваки ланац тестере је следећи:
 - Сечиво ланца 91РХ: 4,0 мм
- Турпија треба да захвати зубац само приликом покрета унапред. Када турпију покрећете уназад, подигните је са зупца.
- Прво наоштрите најкраћи зубац. Потом дужина овог најкраћег зупца постаје стандардна за све остале зупце на ланцу тестере.

слика33

- Водите турпију као што је приказано на слици.
- Лакше ће је водити ако употребљавате држач турпије (опциони додатни прибор). На држачу турпије уцртане су ознаке за правилан угао оштрења од 30° (поравнајте ознаке паралелно са ланцем тестере) и ограничава дубину продирања (до 4/5 пречника турпије).

слика34

- После оштрења ланца проверите висину граничника дубине помоћу алата за мерење ланца (опциони додатни прибор).

слика35

- Уклоните сав истурени материјал, без обзира колико мали био, помоћу специјалне равне турпије(опциони додатни прибор).
- Поново заоблите предњи део граничника дубине.

Чишћење траке за вођење и подмазивање повратног ланчаника

⚠ ПАЖЊА:

- За тај задатак увек носите заштитне рукавице. Храпаве ивице представљају ризик од повреде.

слика36

Редовно проверавајте да ли су оштећене површине по којима се креће трака за вођење. Одговарајућим алатом их очистите и уклоните храпаве ивице ако је потребно. Ако често употребљавате ланчану тестеру, подмажите лежај повратног ланчаника барем једном недељно. Пре додавања нове свеже масти пажљиво очистите отвор од 2 мм на врху траке за вођење, а затим нанесите малу количину вишенаменске масти (опциони додатни прибор) у отвор.

Чишћење жлеба за вођење уља

слика37

- Очистите жлеб за довођење уља и отвор за довођење уља у траци у редовним временским размацима.

Нови ланци за тестеру

Наизменично употребљавајте два или три ланца за тестеру да би се ланац, ланчаник и радне површине

трошиле равномерно.

Окрените траку за вођење када мењате ланац да би се жлебови траке трошили равномерно.

⚠ ПАЖЊА:

- Употребљавајте само ланце и мачеве одобрене за овај модел тестере (погледајте одељак „ТЕХНИЧКИ ПОДАЦИ“).

слика38

Пре постављања новог ланца проверите стање ланчаника.

⚠ ПАЖЊА:

- Похабани ланчаник оштећује нови ланац тестере. У том случају замените ланчаник. Увек монтирајте нови прстен за блокирање када мењате ланчаник.

Одржавање ланца и кочнице за прекидање напајања

Кочioni системи су веома важне безбедносне карактеристике. Као и остали делови ланчане тестере, подложни су извесном степену трошења. Морају редовно да се прегледају у МАКИТА овлашћеним сервисним центрима. Ова мера предузима се ради ваше безбедности.

Замена угљених четкица

слика39

Уклоните и редовно проверите угљене четкице. Замените када се истроше до границе истрошености. Одржавајте угљене четкице да би биле чисте и да би ушле у лежишта. Обе угљене четкице треба заменити у исто време. Употребљавајте само идентичне угљене четкице.

слика40

Помоћу одвијача одвртите и скините поклопце држача четкица. Извадите истрошене угљене четкице, убаците нове и затворите поклопце држача четкица.

Након замене четкица, укључите алат и уходајте четкице коришћењем алата у празном ходу око 10 минута.

Одлагање алата

Биолошки разградиво уље за ланчану тестеру може да се чува само ограничени временски период. Након две године од производње биолошка уља почињу да стичу својство приањања и изазивају оштећивање пумпе за уље и компоненти у систему за подмазивање.

- Пре одлагања ланчане тестере на дужи период испразните резервоар за уља и напуните га малом количином машинског уља (SAE 30).
- Накратко покрените тестеру да бисте избадили сво заостало биолошко уље из резервоара, система за подмазивање и механизма за тестерисање.

НАПОМЕНА:

- Када се ланчана тестера не користи, из ње извесно време после тога цури мала количина уља. То је нормално и не указује на квар.

Чувајте ланчану тестеру на одговарајућој површини. Пре враћања тестере у рад, напуните је свежим ВІОТОР уљем за ланац.

БЕЗБЕДАН и ПОУЗДАН рад алата гарантујемо само ако поправке, свако друго одржавање или подешавање,

препустите овлашћеном сервису за алат Makita, уз употребу оригиналних резервних делова Makita.

РЕШАВАЊЕ ПРОБЛЕМА

Пре него што затражите поправку, најпре сами извршите преглед. Уколико наиђете на проблем који није објашњен у упутству, не покушавајте да расклопите алат. Уместо тога, потражите помоћ од Makita овлашћених сервисних центара.

Статус квара	Могући узрок	Отклањање квара
Ланчана тестера се не укључује.	Нема напајања струјом.	Повежите алат са извором напајања. Проверите извор напајања.
	Оштећен кабл.	Одмах престаните да користите алат и потражите свој локални овлашћени сервисни центар.
	Квар на алату.	Одмах престаните да користите алат и потражите свој локални овлашћени сервисни центар.
Ланац се не покреће.	Кочница ланца је активирана.	Отпустите кочницу ланца.
Недовољна снага.	Похабана карбонска четкица.	Затражите поправку од свог локалног овлашћеног сервисног центра.
Нема уља на ланцу.	Резервоар за уље је празан.	Напуните резервоар за уље.
	Жлеб за довођење уља је запрљан.	Очистите жлеб.
	Завртањ за подешавање пумпе за уље је погрешно подешен.	Подесите брзину довода уља на пумпи за уље.
Ланац се не зауставља чак ни када се активира кочница ланца.	Похабана кочиона трака.	Одмах престаните да користите алат и потражите свој локални овлашћени сервисни центар.
Алат абнормално вибрира.	Олабављен мач или ланац тестере.	Подесите мач и затегнутост ланца тестере.
	Квар на алату.	Одмах престаните да користите алат и потражите свој локални овлашћени сервисни центар.

014314

ОПЦИОНИ ДОДАТНИ ПРИБОР**⚠ ПАЖЊА:**

- Ова опрема и прибор намењени су за употребу са алатом Makita описаним у овом упутству за употребу. Употреба друге опреме и прибора може да доведе до повреда. Делове прибора или опрему користите само за предвиђену намену.

Да бисте сазнали детаље у вези са овим додатним прибором обратите се локалном сервисном центру Makita.

- Ланац тестере
- Поклопац мача
- Мач
- Уље за ланац тестере

НАПОМЕНА:

- Поједине ставке на листи могу бити укључене у садржај паковања алата као стандардна опрема. Могу се разликовати од земље до земље.

РУССКИЙ ЯЗЫК (Оригинальная инструкция)

Объяснения общего плана

2-1. Рычаг	12-2. Шнур инструмента	19-2. Разблокирование
2-2. Крышка звездочки	12-3. Удлинитель	19-3. Блокирование
3-1. Регулировочный винт	12-4. Штекер и розетка	20-1. Смотровое окошко масляного
4-1. Регулировочный диск	(форма может отличаться в	уровнемера
5-1. Звездочка	зависимости от страны)	22-1. Зубчатый упор
6-1. Стержень направляющей	13-1. Кнопка разблокирования	26-1. Площадь вырубки
6-2. Отверстие	13-2. Курковый выключатель	29-1. Направление валки деревьев
7-1. Крючок	15-1. Крышка емкости для масла	29-2. Опасная зона
7-2. Отверстие	15-2. Ремень	29-3. Маршрут эвакуации
7-3. Штифт	16-1. Ослабить	31-1. Длина распила
9-1. Рычаг	16-2. Затянуть	31-2. Расстояние между режущей
9-2. Крышка звездочки	16-3. Винт регулировки цепи	кромкой и глубиномером
10-1. Ослабить	16-4. Стержень направляющей	31-3. Минимум 3 мм
10-2. Затянуть	16-5. Пильная цепь	32-1. Угол боковой пластины
10-3. Винт регулировки цепи	17-1. Ослабить	37-1. Масляный направляющий
10-4. Стержень направляющей	17-2. Затянуть	желоб
10-5. Пильная цепь	17-3. Регулировочный диск	37-2. Отверстие подачи масла
11-1. Ослабить	17-4. Стержень направляющей	38-1. Звездочка
11-2. Затянуть	17-5. Пильная цепь	39-1. Ограничительная метка
11-3. Регулировочный диск	18-1. Ограждение передней ручки	40-1. Колпачок держателя щетки
11-4. Стержень направляющей	18-2. Блокирование	40-2. Отвертка
11-5. Пильная цепь	18-3. Разблокирование	
12-1. Фиксатор шнура	19-1. Ограждение передней ручки	

ТЕХНИЧЕСКИЕ ХАРАКТЕРИСТИКИ

Модель		UC3050A	UC3051A	UC3550A	UC3550AP	UC3551A	UC4050A	UC4051A	UC4550A	UC4551A
Макс. скорость цепи		14,5 м/с (870 м/мин)								
Стандартная направляющая шина	Длина шины	300 мм		350 мм			400 мм		450 мм	
	Длина распила	260 мм		320 мм			355 мм		415 мм	
	Тип направляющей	Шина с концевой звездочкой								
Стандартная пильная цепь	Тип	91PX								
	Шаг	3/8"								
	Ко-во передаточных звеньев	46		52			56		62	
Рекомендуемая длина направляющей шины		300 - 450 мм								
Общая длина (без шины)		505 мм								
Вес нетто		5,4 кг	5,5 кг	5,5 кг	5,6 кг	5,5 кг	5,6 кг	5,7 кг		
Удлинительный кабель (дополнительно)		DIN 57282/HO 7RN -F L=30 м макс., 3x1,5 мм ²								

- Благодаря нашей постоянно действующей программе исследований и разработок, указанные здесь технические характеристики могут быть изменены без предварительного уведомления.
- Технические характеристики могут различаться в зависимости от страны.
- Масса в соответствии с процедурой EPTA 01/2003

END218-7

Символ

Ниже приведены символы, используемые для электроинструмента. Перед использованием убедитесь, что вы понимаете их значение.



Прочитайте руководство по эксплуатации и соблюдайте все предупреждения и инструкции по технике безопасности.



- Пользуйтесь средствами защиты глаз.
- Используйте средства защиты слуха.
- ДВОЙНАЯ ИЗОЛЯЦИЯ
- Предупреждение: необходимо обращать особое внимание!



- Предупреждение: в случае повреждения шнура немедленно вытащите вилку из розетки!



- Предупреждение: отдача!



- Оберегайте от воздействия дождя и влаги!



- Надевайте каску, защитные очки и используйте средства защиты слуха!



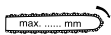
- Одевайте защитные очки!



- Вытащите вилку из розетки!



- Первая помощь



- Максимально допустимая длина распила



- Направление движения цепи



- Масло для цепи



- Тормоз цепи выключен



- Тормоз цепи включен



- Запрещено!



- Только для стран ЕС
Не утилизируйте данный электроинструмент вместе с бытовыми отходами!
В рамках соблюдения Европейской Директивы по утилизации электрического и электронного оборудования и ее применения в соответствии с национальным законодательством, электрооборудование в конце срока своей службы должно утилизироваться отдельно и передаваться для его утилизации на предприятие, соответствующее применяемым правилам охраны окружающей среды.

ENE085-1

Назначение

Данный инструмент предназначен для резки пиломатериалов и бревен.

ENF002-2

Питание

Подключайте данный инструмент только к тому источнику питания, напряжение которого соответствует напряжению, указанному на паспортной табличке. Инструмент предназначен для работы от источника однофазного переменного тока. Он имеет двойную изоляцию и поэтому может подключаться к розеткам без заземления.

ENG905-1

Шум

Типичный уровень взвешенного звукового давления (A), измеренный в соответствии с EN60745:

Уровень звукового давления (L_{pA}): 90,8 дБ (A)
Уровень звуковой мощности (L_{WA}): 101,8 дБ (A)
Погрешность (K): 2,5 дБ (A)

Используйте средства защиты слуха

ENG900-1

Вибрация

Суммарное значение вибрации (сумма векторов по трем осям) определяется по следующим параметрам EN60745:

Рабочий режим: резка дерева
Распространение вибрации (a_h): 5,2 м/с²
Погрешность (K): 1,5 м/с²

ENG901-1

- Заявленное значение распространения вибрации измерено в соответствии со стандартной методикой испытаний и может быть использовано для сравнения инструментов.
- Заявленное значение распространения вибрации можно также использовать для предварительных оценок воздействия.

⚠ ПРЕДУПРЕЖДЕНИЕ:

- Распространение вибрации во время фактического использования электроинструмента может отличаться от заявленного значения в зависимости от способа применения инструмента.
- Обязательно определите меры безопасности для защиты оператора, основанные на оценке воздействия в реальных условиях использования (с учетом всех этапов рабочего цикла, таких как выключение инструмента, работа без нагрузки и включение).

ENH030-5

Только для европейских стран

Декларация о соответствии ЕС

Makita заявляет, что следующее устройство (устройства):

Обозначение устройства:

Цепная пила

Модель/Тип: UC3050A, UC3550A, UC4050A, UC4550A, UC3051A, UC3551A, UC3550AP, UC4051A, UC4551A

Технические характеристики: см. Таблицу "ТЕХНИЧЕСКИЕ ХАРАКТЕРИСТИКИ".

Соответствует (-ют) следующим директивам ЕС:

2000/14/ЕС, 2006/42/ЕС

Изготовлены в соответствии со следующим стандартом или нормативными документами:

EN60745

№ сертификата ЕС:5514056,14005

Сертификация ЕС согласно требованиям 2006/42/ЕС выполнена:

DEKRA Testing and Certification GmbH
Enderstraße 92b
01277 Dresden
Germany
Идентификационный номер 2140

Технический файл в соответствии с документом 2006/42/ЕС доступен по адресу:

Makita, Jan-Baptist Vinkstraat 2, 3070, Belgium

Процедура оценки соответствия согласно директиве 2000/14/ЕС была проведена в соответствии с приложением V.

Измеренный уровень звуковой мощности: 101,9 дБ (А)

Гарантированный уровень звуковой мощности: 103 дБ (А)

4.9.2014



000331

Ясуси Фукайа (Yasushi Fukaya)
Директор

Makita, Jan-Baptist Vinkstraat 2, 3070, Belgium

GEA010-1

Общие рекомендации по технике безопасности для электроинструментов

⚠ ПРЕДУПРЕЖДЕНИЕ Ознакомьтесь со всеми инструкциями и рекомендациями по технике безопасности. Невыполнение инструкций и рекомендаций может привести к поражению электротоком, пожару и/или тяжелым травмам.

Сохраните брошюру с инструкциями и рекомендациями для дальнейшего использования.

GEB037-8

Техника безопасности при использовании цепной пилы

1. Не приближайте во время работы инструмента пильную цепь к каким-либо частям тела. Перед началом работы убедитесь в том, что пильная цепь ни к чему не прикасается. Секундная невнимательность при работе с цепной пилой может привести к захлестыванию вашей одежды или частей тела пильной цепью.
2. Всегда беритесь правой рукой за заднюю ручку, а левой – за переднюю. Если поменять местами руки, возрастет риск травмирования.

3. Держите электроинструмент только за специально предназначенные изолированные поверхности, так как цепная пила может коснуться скрытой проводки или собственного шнура. Контакт цепной пилы с проводом под напряжением приведет к тому, что металлические детали инструмента также будут под напряжением, и это приведет к поражению оператора электрическим током.
4. Используйте защитные очки и беруши. Рекомендуется использовать дополнительные средства защиты для головы, рук и ног. Надлежащая защитная одежда снижает риск получения травм от летящих частиц или при случайном прикосновении к пильной цепи.
5. Не пользуйтесь цепной пилой на дереве. Использование цепной пилы на дереве может привести к травме.
6. Всегда твердо стойте на ногах; используйте пилу только стоя на неподвижной, надежной и ровной поверхности. Скользящая или неустойчивая поверхность (например, лестница) может стать причиной потери равновесия или контроля над цепной пилой.
7. Отрезая сук, находящийся под нагрузкой, помните о возможной отдаче. Когда напряжение в волокнах дерева исчезнет, ветка может ударить оператора и/или выбить из рук цепную пилу.
8. Соблюдайте особую осторожность при резании кустарника и молодых деревьев. Пильная цепь может застрять в гибком материале, в результате чего вас может хлестнуть веткой, или вы можете потерять равновесие в результате рывка.
9. Переносите цепную пилу только за переднюю ручку, в выключенном состоянии, не поднося к телу. На время транспортировки или хранения цепной пилы обязательно надевайте крышку пильной шины. Правильное обращение с цепной пилой снижает риск случайного касания движущейся цепи.
10. Следуйте инструкциям по смазке, натяжению цепи и замене принадлежностей. Неправильно натянутая или смазанная пила может сломаться или увеличить вероятность отдачи.
11. Ручки инструмента всегда должны быть сухими и чистыми, особенно от масла и смазки. Замасленные ручки становятся скользкими, это может привести к потере контроля над инструментом.
12. Разрешается использовать только для резки дерева. Используйте цепную пилу только по назначению. Например: не используйте цепную пилу для резки пластика, кирпича или

недеревянных строительных материалов. Использование цепной пилы не по назначению может привести к опасным ситуациям.

13. Причины обратной отдачи и меры ее предотвращения оператором:

Отдача возможна в случае, если передняя часть или кончик пильной шины коснется предмета, или если дерево зажмет пильную цепь в разрезе.

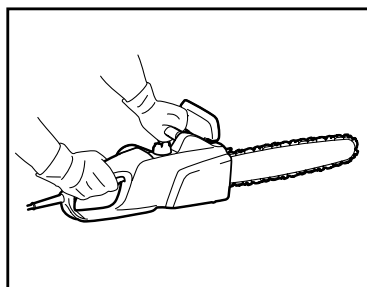
В некоторых случаях касание кончиком пилы может внезапно отбросить пильную шину вверх и назад, в сторону оператора.

Защемление пильной цепи у верхней части пильной шины может отбросить шину назад, к оператору.

Любая из этих реакций может стать причиной потери контроля над пилой и привести к тяжелым травмам. Не полагайтесь только на предохранительные устройства пилы. Как оператор цепной пилы, вы должны принять меры для обеспечения безопасной работы.

Отдача – это результат неправильного использования инструмента и/или неправильных процедур или условий эксплуатации. Ее можно избежать, соблюдая предосторожности, указанные ниже:

- **Надежно удерживайте инструмент двумя руками, пальцами охватывая рукоятки цепной пилы. Становитесь так, чтобы иметь возможность противостоять силе отдачи.** При соблюдении соответствующих мер безопасности оператор может контролировать силу отдачи. Не выпускайте цепную пилу из рук.



014316

- **Не старайтесь дотянуться до чего-либо и не пилите на высоте выше уровня плеч.** Это поможет предотвратить непреднамеренный контакт кончика пилы и лучше управлять цепной пилой в непредвиденных ситуациях.
- **Используйте сменные шины и цепи только рекомендованного производителем типа.** Использование других сменных шин и цепей может привести к разрыву цепи и/или отдаче.
- **Следуйте инструкциям производителя по заточке и уходу за цепной пилой.** Уменьшение высоты глубиномера может привести к увеличению силы отдачи.

ДОПОЛНИТЕЛЬНЫЕ ПРАВИЛА ТЕХНИКИ БЕЗОПАСНОСТИ

1. Внимательно прочитайте руководство по эксплуатации, чтобы ознакомиться с работой цепной пилы.
2. Перед первым использованием цепной пилы пройдите инструктаж по ее эксплуатации. Если это невозможно, то перед началом работы, как минимум, попрактикуйтесь в распиливании круглых бревен на козлах.
3. Цепная пила не должна использоваться детьми или лицами, не достигшими 18-летнего возраста. Лица, старше 16 лет могут не подпадать под действие этого ограничения в случае, если они проходят обучение под надзором специалиста.
4. Работа с цепной пилой требует высокой степени концентрации внимания. Не работайте с пилой, если вы чувствуете себя неважно. Спокойно и аккуратно выполняйте всю работу.
5. Никогда не работайте пилой, если вы находитесь под воздействием наркотиков, алкоголя или лекарственных препаратов.

Правильное использование

1. Цепная пила предназначена исключительно для распиливания древесины. Не используйте ее, например, для резки пластика или пористого бетона.
2. Используйте цепную пилу только для действий, указанных в данном руководстве по эксплуатации. **Не** используйте ее, например, для стрижки кустарника и подобных действий.
3. Цепная пила не должна использоваться для лесных работ, то есть для валки леса или обрезки сучьев стоящих деревьев. Шнур питания цепной пилы не предоставляет оператору достаточной мобильности и безопасности для выполнения таких видов работ.
4. Цепная пила не предназначена для промышленного использования.
5. Не допускайте перегрузки цепной пилы.

Индивидуальные средства защиты

1. Одежда должна быть достаточно облегчающей, но не должна сковывать движений.
2. Во время выполнения работ используйте следующие средства индивидуальной защиты:
 - Сертифицированную защитную каску, в случае наличия опасности от падающих веток и т. п.;
 - Защитную маску или защитные очки;
 - Соответствующие средства защиты слуха (наушники или беруши). Октавный анализ модели по запросу.
 - Прочные кожаные защитные перчатки;

- Длинные брюки, изготовленные из прочной ткани;
- Защитные брюки из ткани, устойчивой к порезам;
- Ботинки или сапоги для безопасной работы с нескользящей подошвой, стальным носком и тканевой подкладкой, устойчивой к порезам;
- Респиратор при выполнении работ, приводящих к образованию пыли (например, распиливание сухой древесины).

Защита от поражения электрическим током



- Цепная пила не должна использоваться в мокрую погоду или во влажной среде, так как ее двигатель не является влагозащищенным.
1. Включайте вилку пилы только в розетки проверенных электрических сетей. Убедитесь, что напряжение в сети соответствует напряжению, указанному на идентификационной табличке. Убедитесь в наличии установленного линейного плавкого предохранителя 16 А. Пилы, используемые вне помещения, должны быть подключены к прерывателю цепи, срабатывающему от остаточного тока с током срабатывания не более 30 мА.



- В случае повреждения соединительного кабеля немедленно вытащите вилку из розетки.

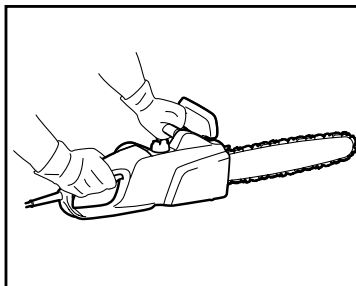
Безопасная практика выполнения работ

1. Перед началом работы убедитесь, что цепная пила находится в нормальном рабочем состоянии и что она соответствует нормативным требованиям техники безопасности. В частности убедитесь, что:
 - тормоз цепи нормально работает;
 - тормоз для нерабочего состояния нормально работает;
 - шина и крышка звездочки правильно установлены;
 - цепь была наточена и натянута в соответствии с требованиями;
 - шнур питания и сетевая вилка не повреждены;

Обратитесь к разделу "ПРОВЕРКИ".

2. Перед использованием всегда проверяйте сечение удлинительного кабеля (см. "ТЕХНИЧЕСКИЕ ХАРАКТЕРИСТИКИ"). При использовании кабеля, намотанного на катушке, полностью размотайте его. При использовании пилы вне помещения убедитесь, что используемый кабель предназначен для применения вне помещений и имеет соответствующие характеристики.

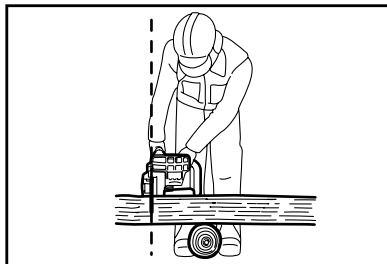
3. Располагайте шнур на расстоянии от места распила и таким образом, чтобы во время работы он не цеплялся за ветви и т.п.
4. Не пользуйтесь цепной пилой вблизи присутствия горючей пыли или газов, так как при работе мотора возникают искры, что может привести к **рisku взрыва**.
5. Работайте только на твердой поверхности и занимайте устойчивое положение. Обратите особое внимание на препятствия (например, кабель), находящиеся в месте выполнения работ. Будьте особенно осторожны, когда влага, лед, снег, только что сваленный лес или кора могут сделать поверхность скользкой. При пользовании пилой не становитесь на лестницы и не взбирайтесь на деревья.
6. Будьте особенно осторожны при работе на склоне. Катящиеся бревна или ветки представляют собой потенциальную угрозу.
7. Никогда не пилите на высоте выше уровня плеч.
8. **При включении и использовании пилы держите ее двумя руками.** Правой рукой возьмитесь за заднюю ручку, а левой - за переднюю. Крепко держите ручки. При включении пилы шина и цепь не должны соприкасаться с какими-либо предметами.



014316

9. Очистите место распила от инородных предметов, таких как песок, камни, гвозди, провода и т. п. Инородные предметы могут привести к повреждению шины и цепи и к возникновению опасной отдачи.
10. Будьте особенно внимательны при пилении в непосредственной близости от проволочной изгороди. Не пилите внутри проволочной изгороди, так как это может привести к опасной отдаче.
11. Не пилите древесину в земле.
12. Пилите древесину по одной детали, не пилите в связке или штабеле.
13. Избегайте использовать пилу для отпиливания тонких ветвей или корней, так как они могут запутаться в цепной пиле. Потеря равновесия представляет большую опасность.
14. При распиловке бревен используйте надежную опору (козлы).
15. Не используйте цепную пилу для подъема или отталкивания деталей из дерева или других предметов.

16. Направляйте цепную пилу таким образом, чтобы никакая часть вашего тела не находилась на одной линии с продолжением линии движения цепной пилы.

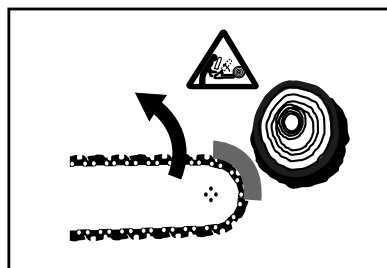


006909

17. При перемещении между действиями по распиливанию, включите тормоз цепи для предотвращения непреднамеренного запуска движения цепи. При переноске держите цепную пилу за переднюю ручку и не устанавливайте ваш палец на выключатель.
18. Во время перерыва в работе, или если пила остается без присмотра, обязательно выключайте ее из сети. Оставляйте цепную пилу в месте, где она не будет представлять опасности.

Отдача

1. Во время работы цепной пилы может возникнуть опасная отдача. Отдача возникает тогда, когда конец шины (в частности, верхняя четверть) соприкасаются с древесиной или другим твердым предметом. Это приводит к изгибу цепной пилы в направлении оператора.



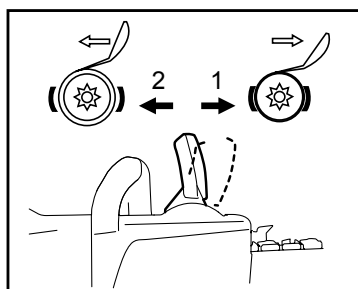
006919

2. Для предотвращения отдачи соблюдайте следующее:
 - Никогда не начинайте пиление концом шины.
 - Никогда не используйте конец шины для пиления. Будьте особенно внимательны при продолжении ранее начатых распилов.
 - Начинайте пиление с уже движущейся цепью.
 - Всегда правильно затачивайте цепь. В частности, отрегулируйте глубиномер на необходимую высоту.
 - Никогда не пилите одновременно через несколько веток.
 - При обрезке сучьев не допускайте контакта шины с другими ветками.

- При раскряжевке держитесь на безопасном расстоянии от расположенных рядом стволов деревьев. Всегда следите за концом шины.
- Используйте козлы.

Средства обеспечения безопасности

1. Перед началом работ всегда проверяйте нормальное рабочее состояние всех средств обеспечения безопасности. Не используйте цепную пилу, если устройства обеспечения безопасности не работают соответствующим образом.
 - **Тормоз цепи:**
Цепная пила оборудована тормозом цепи, который обеспечивает мгновенную остановку движения цепи. Он включается, когда ограждение руки сдвинуто вперед. После этого цепь пилы останавливается в течение 0,15 секунды и питание электродвигателя отключается.



1. Тормоз цепи включен
2. Тормоз цепи выключен

014317

- **Тормоз при неработающей пиле:**
Цепная пила оборудована тормозом для торможения цепи, когда пила выключена. Он включается сразу же после отпускания куркового выключателя. Он не допускает движения цепи при выключенной пиле, что снижает опасность получения травмы.
- **Переднее и заднее ограждение рук** защищают пользователя от травмирования кусками древесины, которые могут быть отброшены назад, а также в случае разрыва цепи.
- **Блокировка куркового выключателя** предотвращает случайное включение пилы.
- **Уловитель цепи** защищает пользователя от получения травмы в случае соскакивания или разрыва цепи.

Транспортировка и хранение



- Если цепная пила не используется или перевозится с места на место, отключите вилку из розетки и установите на пилу прилагаемую крышку направляющей шины. Никогда не переносите и не перевозите цепную пилу во включенном состоянии.

1. Переносите цепную пилу только за переднюю ручку с шиной, направленной вниз.
2. Храните цепную пилу в надежном, сухом, запортом помещении, недоступном для детей. Не храните цепную пилу на открытом воздухе.

ТЕХОБСЛУЖИВАНИЕ

1. Перед выполнением каких-либо настроек или обслуживания вытаскивайте вилку пилы из розетки.
2. Перед выполнением каких-либо настроек или обслуживания вытаскивайте вилку пилы из розетки.
3. Регулярно чистите цепную пилу.
4. Немедленно и надлежащим образом отремонтируйте любые повреждения пластикового корпуса.
5. Не пользуйтесь цепной пилой, если курковый выключатель плохо работает. Отремонтируйте его.
6. Ни при каких обстоятельствах не вносите каких-либо изменений в конструкцию цепной пилы. Этим вы подвергаете риску вашу безопасность.
7. Не выполняйте каких-либо работ по обслуживанию или ремонту, кроме тех, которые описаны в настоящем руководстве. Любые другие работы должны выполняться авторизованными сервисными центрами.
8. Используйте только оригинальные запасные части, предназначенные для вашей модели пилы. Использование других деталей повышает риск несчастного случая.
9. Компания не несет ответственности за несчастные случаи или повреждения, возникшие в результате использования несоответствующих шин, цепных пил или других запасных частей и принадлежностей.

Первая помощь



- Не работайте один. В пределах слышимости всегда должен находиться другой рабочий.
1. Всегда держите под рукой аптечку первой помощи. Немедленно добавляйте в аптечку любые использованные медицинские средства и препараты.
 2. При необходимости оказания помощи в случае несчастного случая, укажите следующее:
 - Где произошел несчастный случай.
 - Как это случилось.
 - Сколько человек было травмировано.
 - Какие травмы они получили.
 - Кто сообщает о несчастном случае.

Примечание:

Лица, имеющие нарушения в системе кровообращения, подверженные сильным вибрациям, могут подвергаться риску травм кровеносных сосудов или нервной системы.

Вибрации могут привести к возникновению следующих симптомов в пальцах, руках или запястьях. "Сонный паралич" (онемение), покалывание, боль, чувство пронзающей боли или изменение цвета кожи.

В случае возникновения одного из этих симптомов, обратитесь к врачу!

СОХРАНИТЕ ДАННЫЕ ИНСТРУКЦИИ.

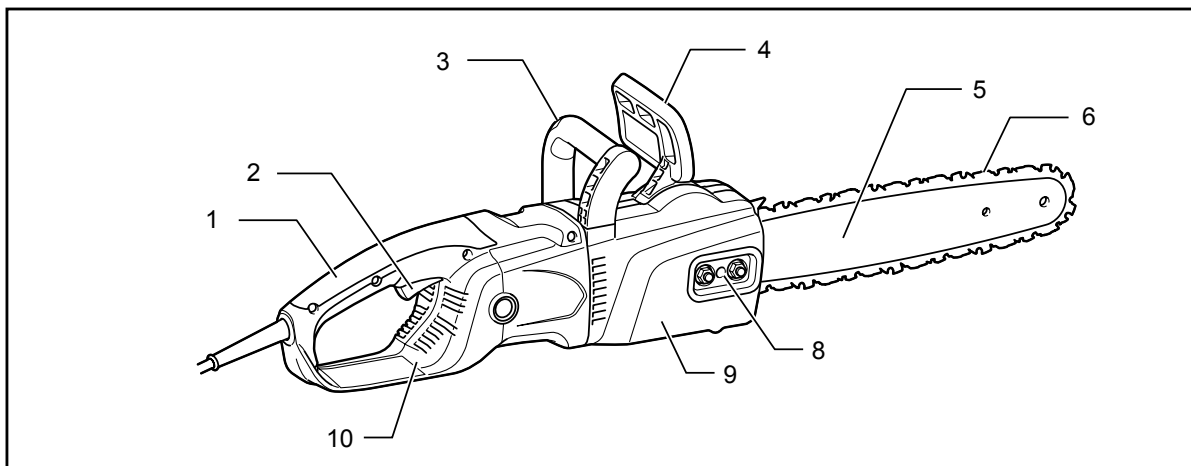
⚠ ПРЕДУПРЕЖДЕНИЕ:

НЕ ДОПУСКАЙТЕ, чтобы удобство или опыт эксплуатации данного устройства (полученный от многократного использования) доминировали над строгим соблюдением правил техники безопасности при обращении с этим устройством. **НЕПРАВИЛЬНОЕ ИСПОЛЬЗОВАНИЕ** инструмента или несоблюдение правил техники безопасности, указанных в данном руководстве, может привести к тяжелой травме.

КОМПОНЕНТЫ ИЗДЕЛИЯ

(Модель с гайками: крышка звездочки крепится с помощью гаек.)

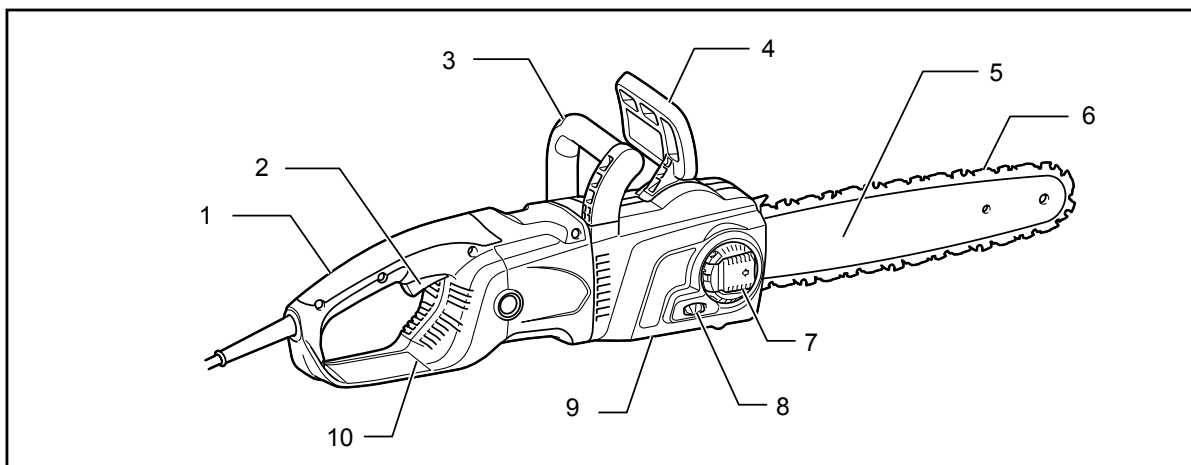
Для модели UC3050A, UC3550A, UC3550AP, UC4050A, UC4550A



014372

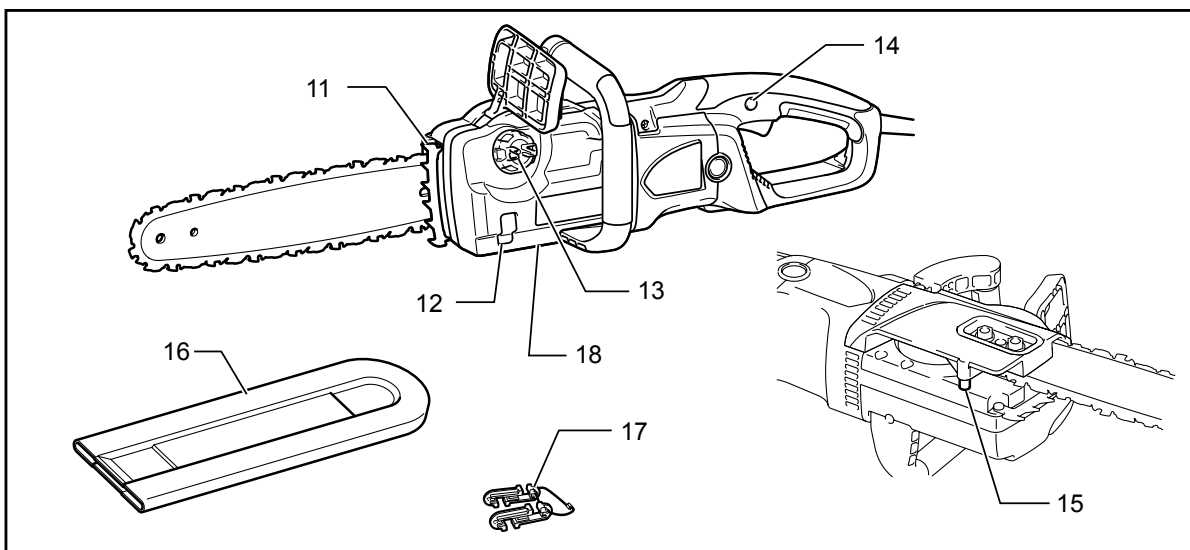
(Модель с рычагом: крышка звездочки фиксируется с помощью рычага.)

Для модели UC3051A, UC3551A, UC4051A, UC4551A



014373

(Для всех моделей)



014514

1	Задняя ручка	7	Рычаг	13	Крышка емкости для масла
2	Курковый выключатель	8	Винт регулировки/регулятор	14	Кнопка разблокирования
3	Передняя ручка	9	Крышка звездочки	15	Уловитель цепи
4	Ограждение передней ручки	10	Ограждение задней ручки	16	Крышка направляющей шины
5	Стержень направляющей	11	Зубчатый упор	17	Фиксатор шнура
6	Пильная цепь	12	Смотровое окошко масляного уровнемера	18	Винт регулировки маслососом (в нижней части)

014375

МОНТАЖ

⚠ ПРЕДУПРЕЖДЕНИЕ:

- Перед проведением каких-либо работ с инструментом всегда проверяйте, что инструмент выключен, а шнур питания вынут из розетки.

Снятие и установка крышки звездочки

Чтобы снять крышку звездочки, выполните следующие действия:

(Для моделей с гайками)

Рис.1

Ослабьте гайку.

(Для моделей с рычагом)

Рис.2

Нажмите и полностью откройте рычаг до упора. Поверните рычаг против часовой стрелки.

Чтобы установить крышку звездочки, выполните описанные выше действия в обратном порядке.

Снятие или установка пильной цепи

⚠ ПРЕДУПРЕЖДЕНИЕ:

- При установке или снятии пильной цепи всегда надевайте перчатки.

Чтобы снять пильную цепь, выполните следующие действия:

1. Ослабьте крышку звездочки.
2. (Для моделей с гайками) Поверните винт регулировки цепи против часовой стрелки, чтобы ослабить натяжение пильной цепи. (Для моделей с рычагом) Поверните регулятор в положение "-", чтобы ослабить натяжение пильной цепи.

Рис.3

Рис.4

3. Снимите крышку звездочки.
4. Снимите цепь и шину с цепной пилы.

Чтобы установить пильную цепь, выполните следующие действия:

5. Соблюдайте направление вращения цепи. Направление вращения цепи указано стрелкой на цепи.

Рис.5

6. Наденьте один конец пильной цепи на верхнюю часть направляющей шины, а другой конец цепи на звездочку.
7. Установите направляющую шину на цепную пилу.
8. Выровняйте регулятор натяжения с отверстием направляющей шины.

Рис.6

9. Удерживая направляющую шину, вращайте винт регулировки цепи/регулятор, чтобы отрегулировать натяжение цепи.
10. Установите крышку звездочки так, чтобы крюки находились вдоль отверстий, а штифт вошел в зацепление с ответной деталью на крышке звездочки.

Рис.7

11. Зафиксируйте крышку звездочки.

Рис.8

Рис.9

Регулирование натяжения пильной цепи

После многочасового использования пильная цепь может ослабнуть. Перед использованием периодически проверяйте натяжение цепи.

1. Немного ослабьте крышку звездочки.
2. Слегка приподнимите конец направляющей шины.
3. Поверните винт регулировки/регулятор для регулировки натяжения пильной цепи.

Рис.10

Рис.11

4. Натягивайте пильную цепь до тех пор, пока нижняя сторона цепи пилы не войдет в паз направляющей шины (см. в круге).
5. По окончании регулировки натяжения цепи затяните крышку звездочки, придерживая направляющую шину. Убедитесь, что пильная цепь не провисает с нижней стороны.

Убедитесь, что пильная цепь плотно посажена с нижней стороны шины.

⚠ ПРЕДУПРЕЖДЕНИЕ:

- Не перетягивайте пильную цепь. Слишком сильное натяжение пильной цепи может привести к ее разрыву, износу направляющей шины и поломке ручки регулировки.
- Слишком слабо натянутая цепь может соскочить с шины, что создаст риск получения травмы.
- Процедуру установки и снятия пильной цепи необходимо осуществлять в чистом месте, где нет опилок или других инородных предметов.

Подсоединение удлинительного шнура

⚠ ПРЕДУПРЕЖДЕНИЕ:

- Убедитесь, что удлинительный шнур отсоединен от розетки.

Рис.12

При подключении удлинительного шнура закрепите его на шнуре цепной пилы с помощью фиксатора. Подсоедините фиксатор на расстоянии 100 - 200 мм от разъема удлинительного шнура. Это поможет предотвратить случайное отсоединение.

ЭКСПЛУАТАЦИЯ

⚠ ПРЕДУПРЕЖДЕНИЕ:

- Во время работы крепко удерживайте инструмент правой рукой за заднюю ручку, а левой – за переднюю ручку.

Действие выключателя

Рис.13

⚠ ПРЕДУПРЕЖДЕНИЕ:

- Перед проверкой функций куркового выключателя обязательно убедитесь, что инструмент выключен и отсоединен от сети.
- Перед включением инструмента в розетку, всегда проверяйте, что триггерный переключатель работает надлежащим образом и возвращается в положение "ВЫКЛ", если его отпустить.

Для предотвращения случайного включения курковый выключатель оборудован кнопкой разблокировки.

Для включения инструмента нажмите кнопку разблокировки и нажмите на курковый выключатель.

Для выключения инструмента отпустите курковый выключатель.

Смазка

⚠ ПРЕДУПРЕЖДЕНИЕ:

- Перед смазкой пильной цепи обязательно убедитесь, что инструмент выключен, и его вилка выключена из розетки.

Рис.14

Смазывайте пильную цепь и направляющую шину биологически разлагаемым маслом для цепных пил с добавкой, улучшающей сцепление. Добавка, улучшающая сцепление, не позволит пильной цепи слишком быстро разбрызгать его. Не следует использовать минеральные масла, так как они негативно воздействуют на окружающую среду.

⚠ ПРЕДУПРЕЖДЕНИЕ:

- Не допускайте попадания масла на кожу и в глаза. Попадание в глаза приводит к их раздражению. В случае попадания масла в глаза, немедленно промойте их чистой водой и сразу же обратитесь к врачу.

- Никогда не используйте отработанное масло. Отработанное масло содержит канцерогенные вещества. Загрязнения, содержащиеся в отработанном масле, приводят к ускоренному износу масляного насоса, шины и цепи. Обработанное масло негативно воздействует на окружающую среду.
- При первой заливке масла в цепную пилу или при его добавлении после полного опорожнения емкости, заливайте масло до нижнего края заливной горловины. В противном случае, подача масла может быть нарушена.

Рис.15

Для долива масла выполните следующие действия:

1. Тщательно очистите место около крышки маслозаливной горловины, чтобы предотвратить попадание грязи в маслобак.
2. Отверните крышку маслозаливной горловины и долейте масло до нижнего края горловины.
3. Плотно закрутите крышку маслозаливной горловины.
4. Тщательно вытрите любые потеки масла.

Примечание:

- Когда цепная пила используется впервые, может потребоваться до двух минут для начала смазки маслом механизмов цепной пилы. Дайте пиле поработать без нагрузки до момента появления смазки (см. раздел "ПРОВЕРКИ").

ПРОВЕРКИ

Перед началом работы выполните следующие проверки:

Проверка натяжения цепи

⚠ ПРЕДУПРЕЖДЕНИЕ:

- Перед проверкой натяжения цепи всегда выключайте вилку из розетки и надевайте перчатки.

(Для моделей с гайками)

Рис.16

(Для моделей с рычагом)

Рис.17

Убедитесь, что пильная цепь плотно посажена с нижней стороны шины (см. в круге).

Чаще проверяйте натяжение цепи, так как новые цепи вытягиваются.

Слишком сильное натяжение пильной цепи может привести к ее разрыву, износу направляющей шины и поломке ручки регулировки.

Слишком слабо натянутая цепь может соскочить с шины, что создаст риск получения травмы.

Если цепь натянута слишком слабо: Обратитесь к разделу "Регулирование натяжения цепи" и соответствующим образом отрегулируйте натяжение пильной цепи.

Проверка включения

⚠ ПРЕДУПРЕЖДЕНИЕ:

Перед включением инструмента в розетку, всегда проверяйте, что триггерный переключатель работает надлежащим образом и возвращается в положение "ВЫКЛ", если его отпустить.

Для предотвращения случайного включения курковый выключатель оборудован кнопкой разблокировки.

Для включения инструмента нажмите кнопку разблокировки и нажмите на курковый выключатель. Для выключения инструмента отпустите курковый выключатель.

Не давите сильно на курковый выключатель, не нажав кнопку разблокировки. Это может привести к поломке выключателя.

Проверка тормоза цепи

Примечание:

- Если цепная пила не запускается, проверьте, отпущен ли тормоз цепи. Для выключения тормоза цепи потяните ограждение руки назад до зацепления.

Рис.18

Рис.19

Проверьте тормоз цепи следующим образом:

1. При включении держите цепную пилу двумя руками. Правой рукой возьмитесь за заднюю ручку, а левой – за переднюю. Убедитесь, что шина и цепь не касаются других предметов.
2. Сначала нажмите на блокирующую кнопку, а затем на курковый выключатель. Цепная пила запустится незамедлительно.
3. Тыльной стороной руки нажмите на переднее ограждение руки вперед. Убедитесь, что пильная цепь сразу же остановилась.

⚠ ПРЕДУПРЕЖДЕНИЕ:

- Если пильная цепь не остановилась сразу, эксплуатация пилы запрещена. Обратитесь в авторизованный сервисный центр Makita.

Проверка тормоза для нерабочего состояния

Включите цепную пилу.

Полностью отпустите курковый выключатель. Убедитесь, что пильная цепь остановилась в течение секунды.

⚠ ПРЕДУПРЕЖДЕНИЕ:

- Если пильная цепь не остановилась сразу, эксплуатация пилы запрещена. Обратитесь в авторизованный сервисный центр Makita.

Проверка устройства смазки цепи

Перед началом работ проверьте уровень масла в бачке и подачу масла.

Уровень масла можно посмотреть в смотровом окошке, показанном на рисунке.

Рис.20

Проверьте подачу масла следующим образом:
Включите цепную пилу.

Подержите работающую пилу на расстоянии около 15 см над бревном или землей. При нормальной работе системы смазки разбрызгивание масла приведет к возникновению небольших следов.

Следите за направлением ветра, чтобы вы сами не попали под брызги масла.

⚠️ПРЕДУПРЕЖДЕНИЕ:

- Если следы масла отсутствуют, не пользуйтесь пилой. В противном случае срок службы цепи значительно сократится. Проверьте уровень масла. Почистите канал подачи масла и отверстие подачи масла в шине (обратитесь к разделу "ОБСЛУЖИВАНИЕ").

Регулировка смазки цепи

Рис.21

Скорость подачи масла насосом можно корректировать винтом регулировки.

ВЫПОЛНЕНИЕ РАБОТ С ЦЕПНОЙ ПИЛОЙ

⚠️ПРЕДУПРЕЖДЕНИЕ:

- Всегда используйте переднюю и заднюю ручки; во время работы крепко держите инструмент за них.
- Обязательно фиксируйте бревно, подлежащее резке – в противном случае фрагменты материала могут стать причиной травмы.

Раскряжевка

Рис.22

При раскряжевке установите зубчатый упор на распиливаемом бревне, как показано на рисунке.

При работающей пиле сделайте запил, используя заднюю ручку для подъема пилы и переднюю рукоятку для ее направления. Используйте зубчатый упор как точку поворота.

Продолжите пиление, прилагая небольшое усилие к передней ручке и немного ослабляя заднюю часть пилы. Переместите зубчатый упор в бревне дальше вниз и снова поднимите переднюю ручку.

При выполнении нескольких распилов выключайте пилу между выполнением распилов.

⚠️ПРЕДУПРЕЖДЕНИЕ:

- Если для распиливания используется верхний край шины, цепная пила может выгнуться в вашем направлении, если цепь пилы заклинит. Во избежание этого выполняйте пиление нижним краем шины, чтобы пила изгибалась в сторону от вашего тела.

Рис.23

Древесина, на которую воздействует давление, должна сначала распиливаться со стороны воздействия давления (А). Окончательный распил выполняется со стороны возникновения растяжения

(В). Такой способ пиления позволит избежать зажима шины.

Рис.24

Обрезка сучьев

⚠️ПРЕДУПРЕЖДЕНИЕ:

- Обрезка сучьев должна выполняться только опытными рабочими. При обрезке сучьев существует риск возникновения отдачи.

При обрезке сучьев, при возможности, используйте ствол в качестве опоры. Не пилите концом шины, так как это приведет к возникновению риска отдачи.

Особое внимание обращайте на ветки, находящиеся в напряженном состоянии. Не пилите снизу ветки, не имеющие опоры.

Во время раскряжевки не стойте на поваленном бревне.

Врезка и пиление параллельно волокнам

⚠️ПРЕДУПРЕЖДЕНИЕ:

- Врезка и пиление параллельно волокнам могут выполняться только лицами, прошедшими специальное обучение. Возможность возникновения отдачи может привести к травме.

Рис.25

Пиление параллельно волокнам должно выполняться под минимальным углом. Пилите как можно аккуратней, так как использование зубчатого упора невозможно.

Валка леса

⚠️ПРЕДУПРЕЖДЕНИЕ:

- Валка леса должна выполняться только опытными рабочими. Эта работа очень опасна.

Если вы хотите спилить дерево, соблюдайте местные нормативные требования.

Рис.26

- Перед началом работ по валке леса убедитесь, что:
 - (1) В непосредственной близости от места работ находится только персонал, связанный с работами по валке;
 - (2) Любые лица, связанные с выполнением валки, имеют свободный путь отхода в пределах угла в 45° в каждую сторону от оси падения дерева. Рассмотрите вероятность возникновения дополнительного риска от падения дерева на электрические провода;
 - (3) Комель дерева в месте его пиления не имеет инородных предметов, корней и веток;
 - (4) В том направлении, куда будет падать дерево, люди или предметы находятся на расстоянии, в 2,5 раза превышающем высоту спиливаемого дерева.

- При спиливании каждого дерева следует также учитывать следующие факторы:
 - Направление наклона;
 - Наличие оторванных или сухих ветвей;
 - Высоту дерева;
 - Естественный свес;
 - Является ли дерево гнилым или нет.
- Учитывайте скорость и направление ветра. Не спиливайте деревья при сильных порывах ветра.
- Обрезка корневых наплывов: Начинайте с самых больших наплывов. Сначала сделайте вертикальный запил и затем горизонтальный.

Рис.27

- Выполнение запила: Запил определяет направление падения дерева и помогает этому. Он делается с той стороны, куда будет падать дерево. Делайте запил как можно ближе к поверхности земли. Сначала сделайте горизонтальный запил на глубину 1/5-1/3 диаметра бревна. Не делайте его слишком широким. Затем сделайте диагональный запил.
- При необходимости исправьте запил по всей его ширине.

Рис.28

- Сделайте задний рез немного выше основания запила. Задний рез должен быть точно горизонтальным. Оставьте около 1/10 диаметра дерева между задним резом и запилом. Волокна древесины в нераспиленной части дерева будут действовать как шарнир. Ни при каких обстоятельствах не пропиливайте волокна до конца, так как это приведет к неуправляемому падению дерева. Своевременно вставьте клинья в задний рез.
- Для сохранения зазора заднего реза следует использовать только пластиковые или алюминиевые клинья. Использование железных клиньев запрещено.
- Стойте сбоку от падающего дерева. Обеспечьте наличие свободного участка сзади падающего дерева в пределах угла в 45° в каждую сторону от оси падения дерева (см. рисунок "Площадь вырубki"). Обращайте внимание на падающие ветви.
- До начала работ необходимо предусмотреть и расчистить (при необходимости) маршрут аварийного покидания территории. Он должен проходить назад и по диагонали от предполагаемой линии валки как показано на рисунке.

Рис.29

ТЕХОБСЛУЖИВАНИЕ

⚠️ПРЕДУПРЕЖДЕНИЕ:

- Перед проверкой или проведением техобслуживания убедитесь, что инструмент выключен, а штекер отсоединен от розетки.
- При выполнении осмотра или обслуживания всегда надевайте перчатки.
- Запрещается использовать бензин, лигроин, растворитель, спирт и т.п. Это может привести к изменению цвета, деформации и появлению трещин.

Выполняйте приведенные ниже работы по обслуживанию с регулярными интервалами. Гарантийные претензии будут приниматься только в случае регулярного и точного выполнения этих действий по обслуживанию.

Пользователь может выполнять только те работы по обслуживанию, которые приведены в настоящем руководстве. Любые другие работы должны выполняться авторизованными сервисными центрами MAKITA.

Чистка цепной пилы

Регулярно чистите цепную пилу чистой ветошью. В частности, ручки не должны быть замазаны маслом.

Проверка пластикового корпуса

Регулярно проводите визуальный контроль всех деталей корпуса. В случае повреждения деталей немедленно отремонтируйте их в авторизованных сервисных центрах MAKITA.

Заточка пильной цепи

⚠️ПРЕДУПРЕЖДЕНИЕ:

- При выполнении каких-либо работ на пильной цепи всегда вытаскивайте вилку из розетки и надевайте защитные очки.

Рис.30

Выполните заточку цепи в следующих случаях:

- При пилении влажной древесины образуются рыхлые опилки;
- Цепь с трудом входит в древесину, даже при значительном усилии на пилу;
- Края распила имеют явные повреждения;
- Пилу при пилении тянет влево или вправо. Причиной этого является неравномерная заточка цепи или ее повреждение только с одной стороны.

Выполняйте заточку цепи достаточно часто, но при этом снимайте только небольшое количество металла.

Для заточки пилы при проведении повседневного ухода обычно достаточно двух или трех проходов напильником. После нескольких заточек заточите пильную цепь в авторизованном сервисном центре MAKITA.

Требования к заточке:

- Длина всех зубьев должна быть одинаковой. Зубья разной длины будут затруднять плавное движение цепи и могут привести к ее разрыву.
- Не затачивайте цепь, длина зубьев которой достигла 3 мм. В этом случае необходимо установить новую цепь.
- Толщина цепи определяется расстоянием между глубиномером (круглый выступ) и режущей кромкой.
- Наилучшие результаты достигаются, при соблюдении расстояния между режущей кромкой и глубиномером.

Полотно цепной пилы 91PX: 0,65 мм

Рис.31

⚠️ ПРЕДУПРЕЖДЕНИЕ:

- Слишком большое расстояние повышает риск возникновения отдачи.
- Угол заточки в 30° должен соблюдаться на всех зубьях. Разница в углах заточки может привести к резкому, неравномерному движению цепи, ускоренному износу и к разрыву цепи.
- Угол боковой пластины реза определяется по глубине проникновения круглого напильника. При правильном использовании указанного напильника правильный угол боковой пластины получается автоматически.
- Угол боковой пластины реза для каждой пильной цепи:

Полотно цепной пилы 91PX: 80°

Рис.32

Напильник и заточка напильником

- Для заточки цепей пилы используйте специальный круглый напильник (дополнительная принадлежность). Обычные круглые напильники для заточки цепей не подходят.
- Диаметр круглого напильника для каждой пильной цепи:
Полотно цепной пилы 91PX: 4,0 мм
- Напильник должен стачивать зуб только при движении вперед. При перемещении напильника назад приподнимайте его над зубьями.
- Сначала наточите самый короткий зуб. Длина этого зуба будет служить ориентиром для остальных зубьев пильной цепи.

Рис.33

- Направляйте напильник как показано на рисунке.
- При использовании держателя напильника (дополнительная принадлежность) направлять напильник будет значительно легче. Держатель напильника имеет метки для правильного угла

заточки в 30° (совместите метки параллельно с цепью пилы) и ограничивает глубину проникновения (до 4/5 диаметра напильника).

Рис.34

- После заточки цепи проверьте высоту глубиномера, используя для этого измерительный инструмент для цепи (дополнительная принадлежность).

Рис.35

- Удалите любые, даже небольшие, выступы материала при помощи специального плоского напильника (дополнительное приспособление).
- Закруглите еще раз переднюю часть глубиномера.

Чистка шины и смазка возвратной звездочки

⚠️ ПРЕДУПРЕЖДЕНИЕ:

- При выполнении этой работы всегда надевайте защитные перчатки. Заусенцы могут привести к травме.

Рис.36

Регулярно проверяйте поверхности скольжения шины на предмет отсутствия повреждений. Почистите, используя соответствующий инструмент, и при необходимости удалите заусенцы.

Если цепная пила используется часто, смазывайте подшипник, как минимум, раз в неделю. Перед тем как нанести свежую смазку, тщательно почистите отверстие диаметром 2 мм на конце шины и затем нанесите туда небольшое количество универсальной смазки (дополнительная принадлежность).

Чистка масляного канала

Рис.37

- Регулярно чистите канал подачи масла и отверстие подачи масла в шине.

Новые пильные цепи

Используйте поочередно две или три пильные цепи для того, чтобы цепь, звездочка и поверхности скольжения шины изнашивались равномерно.

При замене цепи переворачивайте шину, чтобы канал шины изнашивался равномерно.

⚠️ ПРЕДУПРЕЖДЕНИЕ:

- Используйте только цепи и шины, одобренные для этой модели пилы (см. раздел "ТЕХНИЧЕСКИЕ ХАРАКТЕРИСТИКИ").

Рис.38

Перед установкой новой цепи проверьте состояние звездочки.

⚠ ПРЕДУПРЕЖДЕНИЕ:

- Изношенная звездочка приведет к повреждению новой пильной цепи. Во избежание этого замените звездочку.

При замене звездочки всегда устанавливайте новое стопорное кольцо.

Обслуживание цепи и тормозов нерабочего состояния пилы

Тормозные системы являются очень важными устройствами обеспечения безопасности. Как и другие компоненты цепной пилы, они в определенной степени подвержены износу. Регулярно проверяйте их в авторизованных сервисных центрах МАКИТА. Эта мера призвана обеспечить вашу собственную безопасность.

Замена угольных щеток

Рис.39

Регулярно вынимайте и проверяйте угольные щетки. Заменяйте их, если они изношены до ограничительной отметки. Содержите угольные щетки в чистоте и в свободном для скольжения в держателях положении. При замене необходимо менять обе угольные щетки одновременно. Используйте только одинаковые угольные щетки.

Рис.40

Используйте отвертку для снятия крышек щеткодержателей. Извлеките изношенные угольные щетки, вставьте новые и закрутите крышки щеткодержателей.

После замены щеток подключите инструмент к сети; чтобы щетки притерлись, включите инструмент и дайте ему поработать без нагрузки в течение 10 минут.

Хранение инструмента

Биологически разлагаемое масло для цепных пил может храниться только ограниченное время. Через два года после изготовления биологические масла начинают приобретать адгезивные качества, что может привести к поломке масляного насоса и компонентов системы смазки.

- Перед длительным хранением пилы опорожните масляный бачок и заполните его небольшим количеством моторного масла (SAE 30).
- На короткое время запустите пилу для удаления всех остатков биологического масла из бачка, системы смазки и механизма пилы.

Примечание:

- В первое время хранения цепной пилы небольшое количество масла для смазки цепь может вытечь. Это нормальное явление и не свидетельствует о неисправности.

Храните цепную пилу на соответствующей поверхности.

Перед последующей эксплуатацией цепной пилы заполните емкость для смазки цепи маслом ВЮТОР. Для обеспечения БЕЗОПАСНОСТИ и НАДЕЖНОСТИ оборудования ремонт, любое другое техобслуживание или регулировку необходимо производить в уполномоченных сервис-центрах Makita, с использованием только сменных частей производства Makita.

ПОИСК И УСТРАНЕНИЕ НЕИСПРАВНОСТЕЙ

Прежде чем обращаться по поводу ремонта, проведите осмотр самостоятельно. Если обнаружена неисправность, не указанная в руководстве, не пытайтесь разобрать инструмент. Вместо этого обратитесь в авторизованные сервисные центры Makita.

Неисправность	Возможные причины	Способ устранения
Цепная пила не включается.	Отсутствует электропитание.	Подключите инструмент к источнику питания. Проверьте источник питания.
	Дефектный кабель.	Немедленно прекратите эксплуатацию инструмента и обратитесь в местный авторизованный сервисный центр.
	Неисправность инструмента.	Немедленно прекратите эксплуатацию инструмента и обратитесь в местный авторизованный сервисный центр.
Цепь не движется.	Включен тормоз цепи.	Отпустите тормоз цепи.
Недостаточная мощность.	Угольная щетка изношена.	Обратитесь в местный авторизованный центр для ремонта.
Нет масла на цепи.	Маслобак пуст.	Заполните маслобак.
	Загрязнен направляющий желоб для масла.	Очистите желоб.
	Неправильно отрегулирован винт регулировки маслонасосом.	Отрегулируйте скорость подачи масла насосом.
Цепь не останавливается даже после включения тормоза цепи.	Изношена тормозная лента.	Немедленно прекратите эксплуатацию инструмента и обратитесь в местный авторизованный сервисный центр.
Сильная вибрация инструмента.	Ослабьте направляющую шину или пильную цепь.	Отрегулируйте натяжение направляющей шины и пильной цепи.
	Неисправность инструмента.	Немедленно прекратите эксплуатацию инструмента и обратитесь в местный авторизованный сервисный центр.

014314

ДОПОЛНИТЕЛЬНЫЕ ПРИНАДЛЕЖНОСТИ

⚠️ ПРЕДУПРЕЖДЕНИЕ:

- Эти принадлежности или насадки рекомендуется использовать вместе с вашим инструментом Makita, описанным в данном руководстве. Использование каких-либо других принадлежностей или насадок может представлять опасность получения травм. Используйте принадлежность или насадку только по указанному назначению.

Если вам необходимо содействие в получении дополнительной информации по этим принадлежностям, свяжитесь со своим местным сервис-центром Makita.

- Пильная цепь
- Крышка направляющей шины
- Направляющая шина
- Масло для цепной пилы

Примечание:

- Некоторые элементы списка могут входить в комплект инструмента в качестве стандартных приспособлений. Они могут отличаться в зависимости от страны.

УКРАЇНСЬКА (Оригінальні інструкції)

Пояснення до загального виду

2-1. Важіль	12-2. Кабель інструменту	18-3. Розблокувати
2-2. Кришка зірочки	12-3. Шнур подовжувач	19-1. Передня захисна огорожа для рук
3-1. Гвинт регулювання	12-4. Штепсельна вилка і розетка (форма може відрізнятися залежно від країни)	19-2. Розблокувати
4-1. Диск для регулювання	13-1. Кнопка блокування вимкненого положення	19-3. Блокувати
5-1. Зірочка	13-2. Кнопка вимикача	20-1. Індикатор рівня мастила
6-1. Шина	15-1. Кришка для заливання мастила	22-1. Зубчастий упор
6-2. Отвір	15-2. Стрічка	26-1. Дільниця пиляння дерев
7-1. Скоба	16-1. Послабити	29-1. Напрямок ваління лісу
7-2. Отвір	16-2. Затягнути	29-2. Зона небезпеки
7-3. Штифт	16-3. Гвинт регулювання ланцюга	29-3. Маршрут аварійного відходу
9-1. Важіль	16-4. Шина	31-1. Довжина різання
9-2. Кришка зірочки	16-5. Ланцюгова пила	31-2. Відстань між ріжучою кромкою і обмежувачем глибини
10-1. Послабити	17-1. Послабити	31-3. Мінімум 3 мм
10-2. Затягнути	17-2. Затягнути	32-1. Кут бокової пластини зубця
10-3. Гвинт регулювання ланцюга	17-3. Диск для регулювання	37-1. Напрямний жолоб для мастила
10-4. Шина	17-4. Шина	37-2. Отвір для заливання мастила
10-5. Ланцюгова пила	17-5. Ланцюгова пила	38-1. Зірочка
11-1. Послабити	18-1. Передня захисна огорожа для рук	39-1. Обмежувальна відмітка
11-2. Затягнути	18-2. Блокувати	40-1. Ковпачок щіткотримача
11-3. Диск для регулювання		40-2. Викрутка
11-4. Шина		
11-5. Ланцюгова пила		
12-1. Гак для шнура живлення		

ТЕХНІЧНІ ХАРАКТЕРИСТИКИ

Модель		UC3050A	UC3051A	UC3550A	UC3550AP	UC3551A	UC4050A	UC4051A	UC4550A	UC4551A
Макс. швидкість ланцюга		14,5 м/с (870 м/хв)								
Стандартна шина	Довжина шини	300 мм		350 мм			400 мм		450 мм	
	Довжина різання	260 мм		320 мм			355 мм		415 мм	
	Тип шини	Шина з кінцевою зірочкою								
Стандартний пиляльний ланцюг	Тип	91PX								
	Крок	3/8"								
	Кількість приводних ланок	46		52			56		62	
Рекомендована довжина шини		300 - 450 мм								
Загальна довжина (без шини)		505 мм								
Чиста вага		5,4 кг	5,5 кг	5,5 кг	5,6 кг	5,5 кг	5,6 кг		5,7 кг	
Подовжувач (додатково)		DIN 57282/HO 7RN -F L=30 м макс., 3x1,5 мм ²								

- Через те, що ми не припиняємо програми досліджень і розвитку, наведені тут технічні характеристики можуть бути змінені без попередження.
- У різних країнах технічні характеристики можуть бути різними.
- Вага відповідно до EPTA-Procedure 01/2003

END218-7

Умовне позначення

Далі наведені символи, які застосовуються для позначення обладнання. Перед користуванням переконайтеся, що Ви розумієте їхнє значення.



Уважно прочитайте посібник та завжди дотримуйтесь попереджень та інструкцій з техніки безпеки.




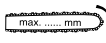





• Вдягайте засоби захисту очей.

• Вдягайте засоби захисту слуху.

• ПОДВІЙНА ІЗОЛЯЦІЯ

• Обережно: потребує особливої уваги та обережності!

-  · обережно: негайно витягніть штепсель із сіті у разі пошкодження кабелю.
-  · Обережно: можлива віддача!
-  · Обов'язково захищайте від дощу та вологи!
-  · Обов'язково одягайте шолом, окуляри та засоби захисту органів слуху!
-  · Одягні захисні рукавиці!
-  · Вимкніть штепсель із сіті!
-  · Перша допомога
-  · Максимальна допустима довжина прорізу
-  · Напрямок пересування ланцюга
-  · Мاستило для ланцюга
-  · Гальмо ланцюга відпущено
-  · Гальмо ланцюга натиснуто
-  · Заборонено!
-  · Тільки для країн ЄС
Не викидайте електроприлади разом із побутовим сміттям!
Згідно з Європейською директивою про утилізацію електричного та електронного обладнання і з її використанням із дотриманням національних законів, електричне обладнання, термін служби якого закінчився, слід збирати в окремо відведених місцях і повертати на відповідні підприємства з його переробки.

ENE085-1

Призначення

Інструмент призначено для різання пиломатеріалу та колод.

ENF002-2

Джерело живлення

Інструмент можна підключати лише до джерела живлення, що має напругу, зазначену в таблиці із заводськими характеристиками, і він може працювати лише від однофазного джерела змінного струму. Він має подвійну ізоляцію, а отже може також підключатися до розеток без лінії заземлення.

ENG905-1

Шум

Рівень шуму за шкалою А у типовому виконанні, визначений відповідно до EN60745:

- Рівень звукового тиску (L_{pA}): 90,8 дБ (А)
- Рівень звукової потужності (L_{WA}): 101,8 дБ (А)
- Похибка (К): 2,5 дБ (А)

Користуйтеся засобами захисту слуху

ENG900-1

Вібрація

Загальна величина вібрації (сума трьох векторів) визначена згідно з EN60745:

Режим роботи: пиляння деревини

Вібрація (a_h): 5,2 м/с²

Похибка (К): 1,5 м/с²

ENG901-1

- Заявлене значення вібрації було виміряно у відповідності до стандартних методів тестування та може використовуватися для порівняння одного інструмента з іншим.
- Заявлене значення вібрації може також використовуватися для попередньої оцінки впливу.

УВАГА:

- Залежно від умов використання вібрація під час фактичної роботи інструмента може відрізнитися від заявленого значення вібрації.
- Забезпечте належні запобіжні заходи для захисту оператора, що відповідатимуть умовам використання інструмента (слід брати до уваги всі складові робочого циклу, такі як час, коли інструмент вимкнено та коли він починає працювати на холостому ході під час запуску).

ENH030-5

Тільки для країн Європи

Декларація про відповідність стандартам ЄС

Компанія Makita наголошує на тому, що обладнання:

Позначення обладнання:

Ланцюгова пила

№ моделі / тип: UC3050A, UC3550A, UC4050A, UC4550A, UC3051A, UC3551A, UC3550AP, UC4051A, UC4551A

Технічні характеристики: див. Таблицю "ТЕХНІЧНІ ХАРАКТЕРИСТИКИ".

Відповідає таким Європейським Директивам:

2000/14/EC, 2006/42/EC

Обладнання виготовлене відповідно до таких стандартів або стандартизованих документів:

EN60745

№ сертифіката ЄС на проведення типових випробувань.5514056,14005

Типові випробування на відповідність директиві ЄС 2006/42/EC були проведені:

DEKRA Testing and Certification GmbH

Enderstraße 92b

01277 Dresden

Німеччина

Ідентифікаційний номер 2140

Технічну інформацію відповідно до 2006/42/ЕС можна отримати:

Makita, Jan-Baptist Vinkstraat 2, 3070, Бельгія

Процедура оцінювання відповідності, якої вимагає Директива 2000/14/ЕС, відбулася відповідно до Додатка V.

Замірний рівень звукової потужності: 101,9 дБ (А)

Гарантований рівень звукової потужності: 103 дБ (А)

4.9.2014



000331

Ясуші Фукайя
Директор

Makita, Jan-Baptist Vinkstraat 2, 3070, Бельгія

GEA010-1

Застереження стосовно техніки безпеки при роботі з електроприладами

⚠ УВАГА! Прочитайте усі застереження стосовно техніки безпеки та всі інструкції. Недотримання даних застережень та інструкцій може призвести до ураження струмом та виникнення пожежі та/або серйозних травм.

Збережіть усі інструкції з техніки безпеки та експлуатації на майбутнє.

GEV037-8

Попередження про необхідну обережність під час роботи з ланцюговою пилою

1. Коли ланцюгова пила працює, слід забрати усі частини тіла від пильного ланцюга. Перед тим, як запускати ланцюгову пилу слід перевірити, щоб пильний ланцюг нічого не торкався. Відволікання на короткий час під час роботи пили може призвести до того, що одяг буде затягнуто пильним ланцюгом.
2. Слід завжди тримати ланцюгову пилу правою рукою за задню ручку, а лівою – за передню. Якщо пилу тримати по-іншому, то це підвищує ризик травм, тому цього ніколи неможна робити.
3. Електроінструмент слід тримати тільки за ізольовані поверхні держака, оскільки ланцюг пили може зачепити сховану електропроводку або шнур пили. Торкання ланцюгом пили струмоведучої проводки може призвести до передання напруги до оголених металевих частин електроінструмента та до ураження оператора електричним струмом.

4. Слід одягати засоби захисту органів зору та слуху. Також рекомендується використовувати засоби захисту голови, рук, ніг та ступнів. Належний захисний одяг знижує кількість травм від сміття. Що розлітається, або від випадкового контакту з пильним ланцюгом.
5. **Заборонено користуватись пилою, знаходячись на дереві.** Робота із пилою на дереві може призвести до травм.
6. Слід завжди твердо стояти на ногах, та працювати пилою стоячи на стійкій, надійній та рівній поверхні. Робота на слизьких або нестійких поверхнях, таких як драбини, може призвести до втрати рівноваги та контролю над пилою.
7. Під час різання гілки, що знаходиться під напругою, слід остерігатись відскоку. Коли натяг волокон деревини знімається, то натягнута гілка може вдарити оператора та/або відкинути пилу із втратою контролю над нею.
8. Слід бути дуже обережним під час обрізання кущів та порості. Гнучкі гілки можуть бути затягнені в пильний ланцюг та їх може потягнути у напрямку до оператора, або оператора може потягнути, і він втратить рівновагу.
9. Ланцюгову пилу слід переносити за передню ручку у вимкненому стані, відвернувши її від тіла. Під час перевезення або зберігання пили на ній слід завжди встановлювати кожух для шини. Вірне поводження із ланцюговою пилою знизить вірогідність випадкового контакту із пильним ланцюгом, що рухається.
10. Виконуйте вимоги інструкцій щодо змащування, натягу ланцюга та заміни принадлежностей. Невірно натягнута або змащена пила може або зламатись, або буде підвищено ризик віддачі.
11. Ручки повинні бути сухими, чистими та не бути забрудненими мастилом або жиром. Жирні або забруднені мастилом ручки є слизькими, що призводить до втрати контролю над інструментом.
12. Можна різати тільки деревину. Пильний ланцюг слід застосовувати тільки за їх призначенням. Наприклад: Заборонено використовувати ланцюгову пилу для різання пластика або не дерев'яні будівельні матеріали. Використання ланцюгової пили не за призначенням може призвести до створення небезпечної ситуації.
13. **Причини та заходи запобігання віддачі:**
Якщо кінець шини торкається якогось предмета, або коли дерев'яна деталь закривається та захищає ланцюг в пропилі, може трапитись віддача. Торкання кінцем в деяких випадках може призвести до раптової зворотної реакції, коли

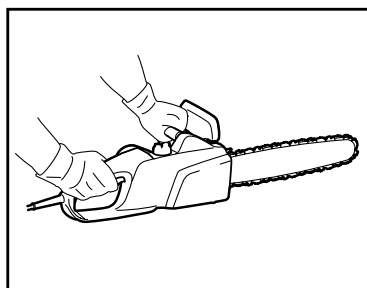
шину буде підкинута догори та назад в напрямку оператора.

Затискання пильного ланцюга у верхній частині шини може призвести до різкого штовхання шини в напрямку оператора.

Будь-яка з цих реакцій може призвести до втрати контролю над пилою, що в свою чергу може призвести до серйозних травм. Не слід суцільно покладатись на засоби безпеки, встановлені на пилі. Як користувач ланцюгової пили, ви повинні вжити декілька заходів, щоб захиститись від нещасних випадків або поранень під час пиляння.

Причинами віддачі є неправильне користування інструментом та/або неправильний порядок експлуатації або умови експлуатації, але їх можна уникнути дотримуючись запобіжних заходів, що наведені нижче:

- **Слід міцно тримати інструмент обома руками таким чином, щоб великий палець та інші пальці руки обгортати ручки ланцюгової пили, та розташовувати своє тіло та руки так, щоб була можливість утриматись у разі віддачі.** Силу віддачі може контролювати користувач, за умови, що було вжито належних запобіжних заходів. Заборонено відпускати ланцюгову пилу.



014316

- **Ніколи не слід тягнутися інструментом до робочої деталі та різати вище рівня плеча.** Дотримання цих правил допоможе уникнути непередбачуваного контакту з ріжучою частиною пили та дозволить краще контролювати ланцюгову пилу у непередбачуваних ситуаціях.
- **Використовувати слід тільки запасні шини та ланцюги, вказані виробником.** Використання невідповідних запасних шин та ланцюгів може призвести до поломки ланцюга та/або віддачі.
- **Слід дотримуватись інструкцій виробника щодо заточування та обслуговування пили.** Зменшення висоти калібру глибини може призвести до посилення віддачі.

ДОДАТКОВІ ПРАВИЛА БЕЗПЕКИ

1. Слід уважно прочитати ці інструкції для того, щоб ознайомитись з принципом роботи ланцюгової пили.
2. Перед користуванням ланцюгової пили у перший раз, здобудьте інструкції з її експлуатації. Якщо це неможливо, слід хоча б потренуватися різати колоди на козлах перед початком роботи.
3. Забороняється дітям та підліткам молодше 18 років користуватися ланцюговою пилою. Цю заборону може бути знято з юнаків старше 16 років під час проходження практики під наглядом майстра.
4. Користування ланцюговою пилою потребує високого рівня зосередженості. Не слід користуватися пилою, якщо ви почуваете себе не готовими до роботи. Всю роботу слід виконувати спокійно та обережно.
5. Забороняється працювати після прийняття алкоголю або ліків.

Правильне використання

1. Ланцюгова пила призначена виключно для різання деревини. Забороняється застосовувати її наприклад для різання пластмаси або пористого бетону.
2. Використовуй ланцюгову пилу тільки для виконання операцій, зазначених у цих інструкціях. Слід здійснювати , а не , наприклад, користайся нею для підрізання огорожі або для подібної мети.
3. Ланцюгову пилу не слід використовувати у лісівництві, а саме для звалювання та розрізування стоячого лісу. Кабель ланцюгової пили не забезпечує оператора рухливістю та безпекою, які необхідні для такої роботи.
4. Ланцюгова пила не призначена для промислового застосування.
5. Не слід перенавантажувати ланцюгову пилу.

Засоби індивідуального захисту

1. Одяг повинен щільно прилягати до тіла, але не повинен заважати руху.
2. Нижче наведено захисний одяг, який слід одягати під час роботи:
 - Випробований захисний шолом, якщо існує загроза падіння гілок або т.і.;
 - Маску або окуляри;
 - Відповідні засоби захисту органів слуху (захисні навушники, звичайні або формувальні навушники). Октавний аналізатор звуку за проханням.
 - Щільні шкіряні захисні рукавиці;
 - Довгі штани виготовлені із міцної тканини;
 - Захисний робочий одяг із стійкої к прорізам тканини;

- Захисні черевики або взуття з неслизькою підошвою, черевики з металевим носком та одяг із стійкою к прорізам тканини;
- Дихальна маска під час виконання робіт, що супроводжуються утворенням пилу (наприклад пиляння сухої деревини).

Захист від ураження електричним током



- Не слід користатися ланцюговою пилою у сиру погоду або у вологому середовищі, тому що електродвигун не має гідроізоляції.
1. Пилу слід вмикати тільки до розеток випробуваних електричних ланцюгів. Перевіряйте, щоб напруга в системі співпадала із напругою на табличці номінальних показників. Перевіряйте, чи встановлено лінійний запобіжник на 16 А. Якщо пила використовується на вулиці, її слід підключати до автоматичного вимикача початкового струму з робочим струмом не вище 30 мА.

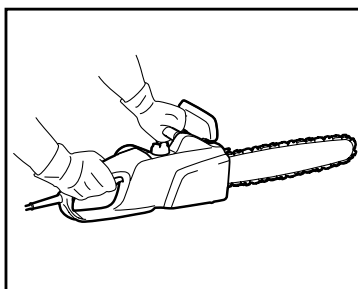


- У разі пошкодження сполучного кабелю, негайно відключити від мережі.

Заходи безпечної роботи

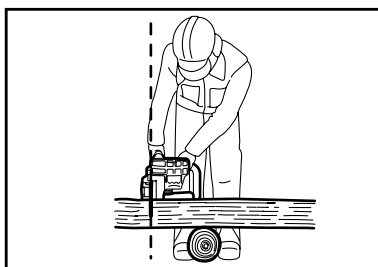
1. Перед початком роботи, перевірте належну працездатність ланцюгової пили та, чи відповідає її стан правилам техніки безпеки. А саме слід перевірити чи:
 - Належним чином працює ланцюгове гальмо;
 - Належним чином працює інерційне гальмо;
 - Правильно встановлені шина та кришка зірочки;
 - Ланцюг загострена та затягнута згідно з правилами;
 - Сітьовий кабель та сітьовий штепсель не пошкоджено;
- Дивись розділ "ПЕРЕВІРКИ".
2. Особливо слід завжди перевіряти, чи відповідного перетину застосовується подовжувальний кабель (дивись "ТЕХНІЧНІ ХАРАКТЕРИСТИКИ"). Коли використовується кабельний барабан, слід розмотувати увесь кабель із барабану. Коли пила застосовується просто неба, слід перевірити, чи призначений кабель, що застосовується, до використання поза приміщенням та чи має він відповідні номінальні показники.
 3. Шнур не повинен знаходитись в зоні різання, та його слід розташовувати таким чином, щоб він не заплутався у гілках та ін. під час різання.
 4. Не слід користатися ланцюговою пилою поблизу приміщень де знаходяться займисті пил або газу, тому що під час роботи двигуна утворюється іскра, що становить **ризик вибуху**.

5. Працювати слід на твердому ґрунті та з надійною опорою. Звертай особливу увагу на перешкоди (наприклад кабель), що знаходяться в робочій зоні. Приділяй особливу увагу, якщо через вологу, лід, сніг, свіжо відрізану деревину або кору, поверхні стануть слизькими. Не слід користуватися пилою на сходах або на дереві.
6. Приділяй особливу увагу під час роботи на похилому ґрунті; стовбури та гілки, що катаються, можуть становити небезпеку.
7. Ніколи не слід різати вище рівня плеча.
8. **Під час увімкнення та користування ланцюговою пилою тримай її обома руками.** Слід триматись правою рукою за задню ручку, а лівою - за передню. Міцно тримай ручки великими пальцями. Під час увімкнення пили ані шина, ані ланцюг не повинні торкатись будь-яких предметів.



014316

9. Зону, що буде різатися слід почистити від сторонніх предметів, таких як пісок, каміння, дроти, цвяхи і т.д. Сторонні предмети можуть ушкодити шину або ланцюг та призвести до небезпечної віддачі.
10. Слід бути дуже уважними під час різання біля дротових парканів. Слід уникати врізання у паркан, це може призвести до віддачі пили.
11. Не слід врізатися у землю.
12. Слід різати частини деревини по одинці, а не у зв'язках або штабелях.
13. Не слід різати пилою тонкі гілки та коріння, вони можуть застрягти в ланцюговій пилі. Не слід втрачати рівновагу, це дуже небезпечно.
14. Під час різання пиломатеріалу слід користатися надійною опорою (козла).
15. Не слід використовувати пилу для зняття або змітання часток деревини або інших предметів.
16. Спрямовуйте ланцюгову пилу таким чином, щоб жодна з частин вашого тіла не знаходилась на широкому шляху ланцюга пили (дивись малюнок).

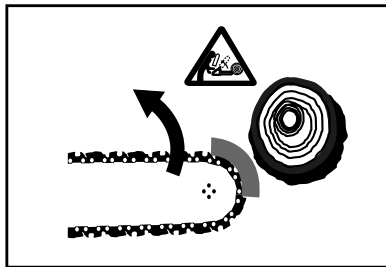


006909

17. У проміжках між операціями різання слід натискати на гальмо ланцюга, щоб уникнути мимовільної роботи ланцюга. Під час перенесення ланцюгової пили її необхідно тримати за передню ручку та прибирати палець з вмикача.
18. Під час перерви або залишення ланцюгової пили без догляду слід витягти сітьовий штепсель. Ланцюгову пилу можна залишати лише в тому стані, коли вона не становить небезпеки.

Віддача

1. Під час роботи з ланцюговою пилою може статися небезпечна віддача. Віддача виникає, коли кінець шини (особливо верхня чверть) торкається деревини або іншого твердого предмету. Це призводить до того, що ланцюгова пила прогинається у бік оператора.



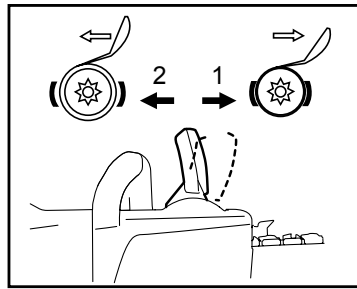
006919

2. Для того, щоб запобігти виникненню віддачі, слід дотримуватись зазначених нижче правил:
 - Ніколи не слід починати різання кінцем шини.
 - Ніколи не слід різати кінцем шини. Особливу увагу слід приділяти поновленню вже початих прорізів.
 - Починай різати при працюючому ланцюгу.
 - Слід завжди правильно загострювати ланцюг. Зокрема, слід установити правильну висоту обмежувача глибини.
 - Ніколи не слід прорізати одночасно декілька гілок.
 - Під час обрізки суків, слід стежити, щоб шина не торкалась інших гілок.
 - Під час розпилювання на колоди слід бути обережними зі стовбурами, що знаходяться поруч. Слід завжди слідкувати за наконечником шини.
 - Користуйся козлами.

Засоби забезпечення безпеки

1. Перед початком роботи завжди слід перевіряти, чи захисні пристрої перебувають в належному стані. Не слід користуватися ланцюговою пилою, якщо захисні пристрої працюють неправильно.
 - **Гальмо ланцюга:**
Ланцюгова пила оснащена гальмом ланцюга, який зупиняє пильний ланцюг на частку секунди. Він запускається знову при штовханні захисної огорожі для рук уперед. Потім пильний ланцюг зупиняється на 0,15 сек, та подача енергії до

двигуна припиняється.



014317

1. Натиснуто гальмо ланцюга
2. Відпущено гальмо ланцюга

- Інерційний гальмо

Ланцюгова пила оснащена інерційним гальмом, який зупиняє пильний ланцюг одразу після відпускання перемикача ВМК/ВИМК. Він запобігає роботі пильного ланцюга у вимкненому положенні, яка створює таким чином небезпеку.

- **Передня та задня огорожа для рук** захищає користувача від поранення частками деревини, які можуть відскочити назад, або поламааним ланцюгом пили.
- **Блокування вмикача** запобігає випадкового увімкнення ланцюгової пили.
- **Обмежувач ланцюга** захищає користувача від поранення у разі зіскакування або розриву ланцюга.

Транспортування та зберігання



Коли ланцюгова пила не використовується або під час її перенесення, слід від'єднувати штепсельну вилку від мережевої розетки та прикріплювати кожух шини, що входить до комплексу пили. Забороняється переносити або перевозити ланцюгову пилу з працюючим пильальним ланцюгом.

1. Ланцюгову пилу слід тримати тільки за передню ручку таким чином, щоб шина була спрямована назад.
2. Ланцюгову пилу слід зберігати у надійному, сухому та замкнутому приміщенні, щоб діти не змогли її дістати. Не слід зберігати ланцюгову пилу зовні.

ТЕХНІЧНЕ ОБСЛУГОВУВАННЯ

1. Перед проведенням регулювання або технічного обслуговування слід витягти штепсель із розетки.
2. Регулярно слід перевіряти силовий кабель на наявність пошкодження.
3. Слід регулярно здійснювати чищення ланцюгової пили.
4. Пошкодження пластмасового кожуху слід ремонтувати негайно та належним чином.
5. Не слід використовувати пилу у разі неналежної роботи вмикача. Його слід належним чином відремонтувати.

6. Ні при яких обставинах не слід запроваджувати зміни до ланцюгової пили. Це дуже небезпечно.
7. Технічне обслуговування або ремонт слід проводити тільки згідно з інструкціями, наведеними в цих інструкціях з експлуатації. Усі інші роботи повинні здійснюватися в авторизованих сервісних центрах.
8. Слід використовувати тільки оригінальні змінні деталі та приладдя відповідно до моделі пили. Використання інших деталей підвищує ризик виникнення нещасного випадку.
9. Ми не несемо жодної відповідальності за нещасні випадки або збитки, спричинені використанням nereкомендованих шин, пиляльних ланцюгів або інших змінних деталей та додаткового приладдя.

Перша допомога



· Не працюйте на самоті. Завжди слід працювати на відстані оклику від другої людини.

1. Слід завжди тримати аптечку під рукою. Слід негайно замінювати використані ліки.
2. Якщо ви потребуєте допомоги у разі поранення, слід встановити:
 - Де відбувся нещасний випадок?
 - Що сталося?
 - Скільки людей поранено?
 - Які поранення вони мають?
 - Хто повідомив про нещасний випадок?

ПРИМІТКА:

Людина, яка має поганий кровообіг, та постійно стикається з сильною вібрацією може здобути порушення з боку кровоносних судин або нервової системи.

Коливання можуть спричинити наведені нижче симптоми з боку пальців, рук або зап'ястя: "Засипання" (оніміння), дзенькіт у вухах, біль, гострий біль, зміна кольору шкіри або шкіри.

При наявності хоча б одного з цих симптомів, обов'язково порадьтеся з лікарем!

ЗБЕРІГАЙТЕ ЦІ ВКАЗІВКИ.

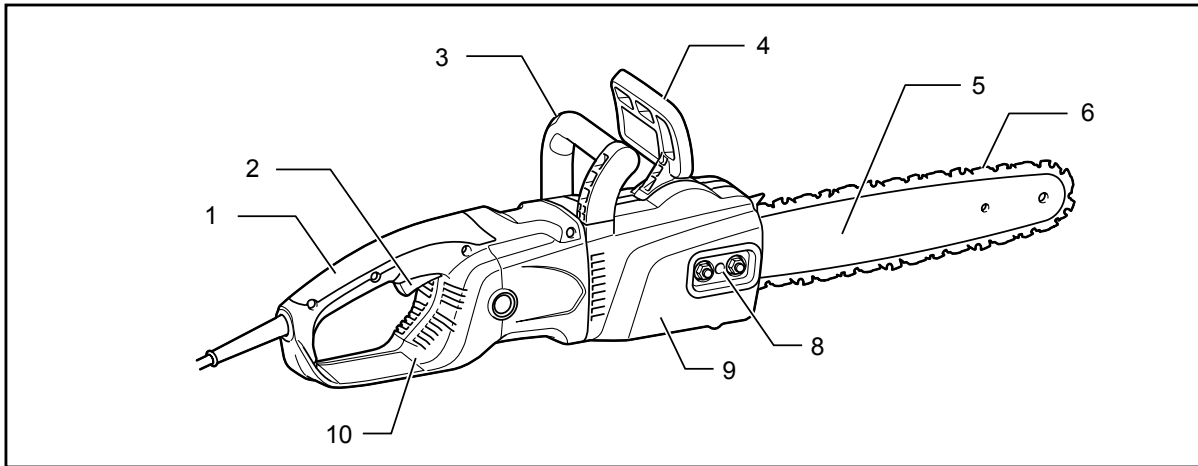
⚠УВАГА:

НІКОЛИ НЕ СЛІД втрачати пильності та розслаблюватися під час користування виробом (що трапляється при частому використанні); слід завжди строго дотримуватися правил безпеки під час використання цього пристрою. **НЕНАЛЕЖНЕ ВИКОРИСТАННЯ** або недотримання правил безпеки, викладених в цьому документі, може призвести до серйозних травм.

ПОЗНАЧЕННЯ ЧАСТИН

(Модель із гайками: кришка зірочки затягується за допомогою гайок.)

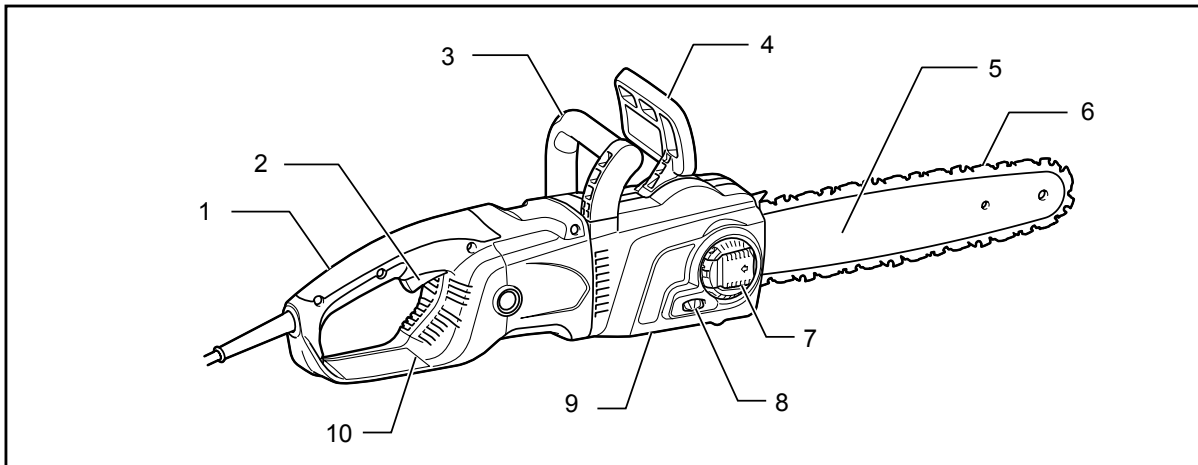
Для моделі UC3050A, UC3550A, UC3550AP,
UC4050A, UC4550A



014372

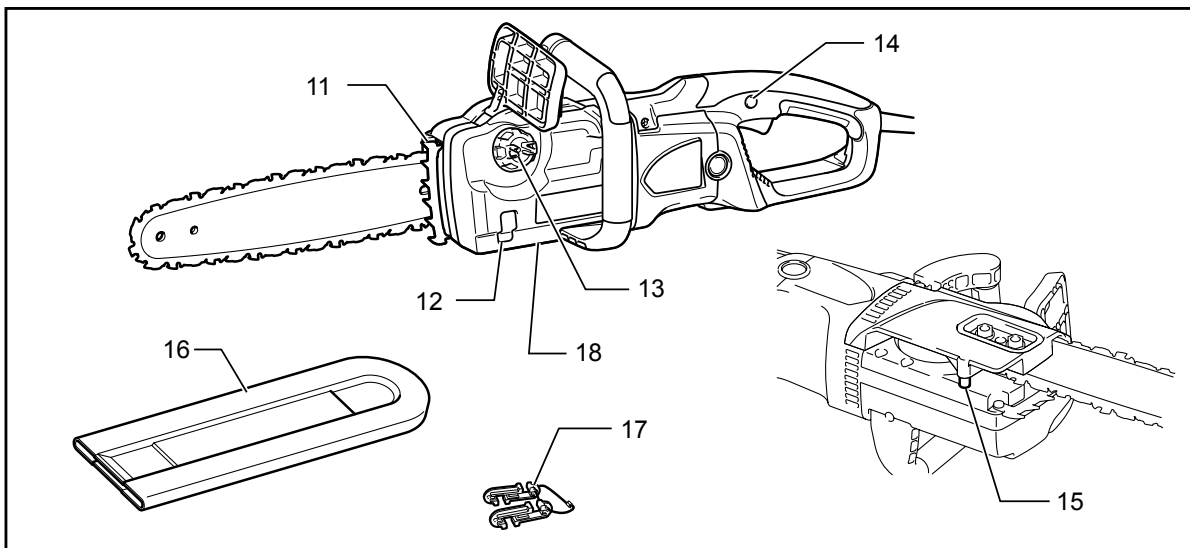
(Модель із важелем: кришка зірочки затягується за допомогою важеля.)

Для моделі UC3051A, UC3551A, UC4051A,
UC4551A



014373

(Для усіх моделей)



014514

1	Задня ручка	7	Важіль	13	Кришка для заливання мастила
2	Кнопка вимикача	8	Гвинт/диск регулювання	14	Кнопка блокування вимкненого положення
3	Передня ручка	9	Кришка зірочки	15	Обмежувач ланцюга
4	Передня захисна огорожа для рук	10	Задня захисна огорожа для рук	16	Кожух шини
5	Шина	11	Зубчастий упор	17	Гак для шнура живлення
6	Ланцюгова пила	12	Індикатор рівня мастила	18	Гвинт регулювання мастильного насоса (знизу)

014375

КОМПЛЕКТУВАННЯ

⚠ОБЕРЕЖНО:

- Перед тим, як щось встановлювати на інструмент, переконайтеся в тому, що він вимкнений та відключений від мережі.

Знімання або встановлення кришки зірочки

Для того щоб зняти кришку зірочки, виконайте такі дії:

(Для моделей із гайками)

мал.1

Послабте гайку.

(Для моделей із важелем)

мал.2

Натисніть і повністю відкрийте важіль до упору. Поверніть важіль проти годинникової стрілки.

Для того щоб встановити кришку зірочки, виконайте описані вище дії у зворотному порядку.

Знімання або встановлення пиляльного ланцюга

⚠ОБЕРЕЖНО:

- Під час встановлення або зняття пиляльного ланцюга на руки повинні бути вдягнені рукавиці. Щоб зняти пиляльний ланцюг, виконайте такі дії:

1. Послабте кришку зірочки.
2. (Для моделей із гайками) Поверніть гвинт регулювання ланцюга проти годинникової стрілки, щоб послабити натяг пиляльного ланцюга.
(Для моделей із важелем) Поверніть диск регулювання у положення "-", щоб послабити натяг пиляльного ланцюга.

мал.3

мал.4

3. Зніміть кришку зірочки.
4. Зніміть пиляльний ланцюг та шину з пили.

Для того щоб установити пиляльний ланцюг, виконайте такі дії:

5. Перевірте напрям ланцюга. Стрілка на ланцюгу вказує напрям ланцюга.

мал.5

6. Закріпіть один кінець пиляльного ланцюга у верхній частині шини, а інший кінець – навколо зірочки.
7. Установіть шину на ланцюгову пилу.
8. Узгодьте повзунок натягу із отвором на шині.

мал.6

9. Тримаючи шину, поверніть гвинт/диск регулювання, щоб відрегулювати натяг пиляльного ланцюга.
10. Розташуйте кришку зірочки таким чином, щоб гачки збігалися з отворами, а шпень сполучався з відповідним на кришці зірочки.

мал.7

11. Затягніть кришку зірочки.

мал.8

мал.9

Регулювання натягу пильного ланцюга

Після багатьох годин роботи пильний ланцюг може послабитись. Слід періодично перевіряти натяг пильного ланцюга перед використанням.

1. Трохи послабте кришку зірочки.
2. Трохи підніміть кінець шини.
3. Поверніть гвинт/диск регулювання, щоб відрегулювати натяг пиляльного ланцюга.

мал.10

мал.11

4. Затягніть пиляльний ланцюг таким чином, щоб нижня сторона пиляльного ланцюга увійшла в напрямну шини (див. кружечок).
5. Утримуючи злегка шину, після проведення регулювання натягу ланцюга затягніть кришку зірочки. Переконайтеся, що пиляльний ланцюг з нижньої сторони шини затягнутий не слабо.

Переконайтеся, що пиляльний ланцюг щільно входить до нижньої сторони шини.

⚠ОБЕРЕЖНО:

- Не затягуйте пиляльний ланцюг занадто сильно. Надмірний натяг пиляльного ланцюга може призвести до розриву пиляльного ланцюга, зносу шини та до пошкодження диска регулювання.
- Слабко натягнутий ланцюг може зіскочити з шини, тим самим створюючи ризик виникнення нещасного випадку.
- Установлювати та знімати пиляльний ланцюг слід у чистому місці, вільному від тирси і подібного сміття.

Використання шнура-подовжувача

⚠ОБЕРЕЖНО:

- Обов'язково вимкніть з розетки шнур-подовжувач.

мал.12

При використанні шнура-подовжувача його слід скріпити зі шнуром ланцюгової пили за допомогою з'єднувального гачка шнура.

Приєднайте з'єднувальний гачок шнура на відстані 100–200 мм від гнізда шнура-подовжувача. Це дозволить запобігти неочікуваному від'єднанню.

ЗАСТОСУВАННЯ

⚠ОБЕРЕЖНО:

- Під час роботи міцно тримайте інструмент правою рукою за задню ручку, а лівою – за передню ручку інструмента.

Дія вимикача

мал.13

⚠ОБЕРЕЖНО:

- Перед перевіркою роботи вмикача слід завжди вимкати інструмент і від'єднати його від мережі живлення.
- Перед вмиканням інструменту у мережу обов'язково перевірте, чи кнопка вимикача нормально спрацьовує і після відпускання повертається в положення "вимкнено".

Для того, щоб запобігти випадковому натисканню курка вмикача, передбачена кнопка блокування вимкненого положення.

Для того щоб запустити інструмент, натисніть на кнопку блокування та натисніть на вмикач. Щоб зупинити роботу, вмикач слід відпустити.

Змащування

⚠ОБЕРЕЖНО:

- Завжди перевіряйте, щоб прилад був вимкнений та відключений від сіті перед змащуванням пильного ланцюга.

мал.14

Пиляльний ланцюг та шину слід змащувати мастилом для пиляльного ланцюга, яке піддається біологічному розпаду та містить зв'язувальну речовину. Зв'язувальна речовина в мастилі для пиляльного ланцюга запобігає занадто швидкому розбризкуванню мастила з ланцюга. Мінеральні мастила використовувати не можна, оскільки вони є шкідливими для довкілля.

⚠ОБЕРЕЖНО:

- Запобігайте потрапляння мастила на шкіру та в очі. Потрапляння в очі викликає подразнення. У разі потрапляння в очі слід негайно промити поранене око чистою водою та одразу ж звернутись до лікаря.
- Заборонено використовувати відпрацьоване мастило. Відпрацьоване мастило містить канцерогенні речовини. Забруднюючі речовини у

відпрацьованому мастилі призводять до швидкого зносу мастильного насоса, шини та ланцюга. Відпрацьоване мастило є шкідливим для довкілля.

- Під час першого заливання мастила для пильного ланцюга або під час заправки пуста бака, мастило слід заливати до рівня нижньої частини заливної горловини. Інакше постачання мастила може бути утрудненим.

мал.15

Щоб залити мастило, виконайте такі дії:

1. Ретельно очистіть ділянку навколо заливної горловини, щоб запобігти потраплянню бруду в мастильний бак.
2. Виверніть кришку заливної горловини та додайте мастило до рівня нижньої частини заливної горловини.
3. Поставте кришку горловини на місце та щільно закрутіть її.
4. Обережно зітріть залишки мастила пильного ланцюга.

ПРИМІТКА:

- Під час першого використання пильного ланцюга може знадобитись біля двох хвилин для того, щоб мастило для пильного ланцюга почало змащувати механізм пили. Дайте пилі попрацювати без навантаження, доки не почнеться змащування (див. "ПЕРЕВІРКИ").

ПЕРЕВІРКИ

Перед тим, як почати роботу, слід виконати наступні перевірки:

Перевірте натяг ланцюга

⚠УВАГА:

- Перед тим, як перевірити натяг ланцюга, слід завжди відключати кабелі живлення від сіті та вдягати захисні рукавиці.

(Для моделей із гайками)

мал.16

(Для моделей із важелем)

мал.17

Переконайтеся, що пиляльний ланцюг щільно входить до нижньої сторони шини (див. кружечок).

Перевіряйте натяг ланцюга якомога частіше, оскільки нові ланцюги розтягуються.

Надмірний натяг пиляльного ланцюга може призвести до розриву пиляльного ланцюга, зносу шини та до пошкодження диска регулювання.

Слабко натягнутий ланцюг може зіскочити з шини, тим самим створюючи ризик виникнення нещасного випадку.

Якщо ланцюг занадто слабко натягнутий: Див. розділ "Регулювання натягу пиляльного ланцюга" та наново відрегулюйте натяг пиляльного ланцюга.

Перевірка роботи перемикача

⚠ОБЕРЕЖНО:

Перед вмиканням інструменту у мережу обов'язково перевірте, чи кнопка вимикача нормально спрацьовує і після відпускання повертається в положення "вимкнено".

Для того, щоб запобігти випадковому натисканню курка вмикача, передбачена кнопка блокування вимкненого положення.

Для того щоб запустити інструмент, натисніть на кнопку блокування та натисніть на вмикач. Щоб зупинити роботу, вмикач слід відпустити.

Не можна із силою натискати на вмикач, не натиснувши кнопку блокування. Це може призвести до поломки вмикача.

Перевірка гальма ланцюга

ПРИМІТКА:

- Якщо ланцюгова пила не запускається, слід перевірити, чи відпущено гальмо ланцюга. Щоб відпустити гальмо ланцюга, потягніть захисну огорожу для рук до себе.

мал.18

мал.19

Перевірте гальмо ланцюга таким чином:

1. Під час увімкнення ланцюгової пили завжди тримайте її обома руками. Тримайтеся правою рукою за задню ручку, а лівою – за передню ручку. Завжди перевіряйте, щоб шина і ланцюг не торкалися інших предметів.
2. Спочатку натисніть кнопку блокування вимкненого положення, а потім натисніть на курок вмикача. Пила одразу ж запуститься.
3. Тильною стороною руки натисніть на передню захисну огорожу для рук та штовхніть її уперед. Переконайтеся, що пиляльний ланцюг зупиняється негайно.

⚠ОБЕРЕЖНО:

- Якщо пиляльний ланцюг не зупиняється негайно, у жодному разі не використовуйте пилу. Зверніться до авторизованого сервісного центру Makita.

Перевірка інерційного гальма

Запустіть пилу.

Повністю відпустіть вмикач. Переконайтеся, що пиляльний ланцюг зупиняється через секунду.

⚠ОБЕРЕЖНО:

- Якщо пиляльний ланцюг не зупиняється негайно, у жодному разі не використовуйте пилу. Зверніться до авторизованого сервісного центру Makita.

Перевірка маслянки ланцюга

Перед тим, як починати роботу, слід перевірити рівень мастила в баку, а також її постачання.

Рівень мастила можна подивитись через віконце рівня мастила, як показано на малюнку.

мал.20

Постачання мастила слід перевірити наступним чином. Запустіть пилу.

Потримайте пиляльний ланцюг працюючої пили приблизно в 15 см над стовбуром дерева або землею. У разі належного змащення розпорошене мастило залишить слабкий слід.

Слідкуйте за напрямом вітру та не ставайте без необхідності під розпорошене мастило.

⚠ОБЕРЕЖНО:

- Якщо слід з мастила не утворюється, пилу використовувати неможна. В протилежному випадку термін служби пильного ланцюга буде меншим. Перевірте рівень мастила. Очистіть паз та отвір для заливання мастила на шині (див. "ОБСЛУГОВУВАННЯ").

Регулювання змащування ланцюга

мал.21

Продуктивність мастильного насоса можна регулювати за допомогою гвинта регулювання.

РОБОТА З ЛАНЦЮГОВОЮ ПИЛОЮ

⚠ОБЕРЕЖНО:

- Під час роботи слід завжди використовувати передню й задню ручки та міцно тримати інструмент за обидві ручки.
- Завжди закріплюйте колоду, яку збираєтеся різати, інакше відрізані частини можуть завдати травми.

Розпилювання

мал.22

У разі розпилювання на колоди слід установити зубчастий упор на деревину, що розрізатиметься, як показано на малюнку.

Запустивши ланцюг пили, заведіть пилу в деревину, використовуючи задню ручку для того, щоб піднімати пилу, а передню – щоб її направляти. Зубчастий упор використовуйте як точку опори.

Продовжуйте пиляння, злегка натискаючи на передню ручку та трохи відтягуючи пилу назад. Пересуньте зубчастий упор далі по колоді та знов підніміть передню ручку.

Коли треба зробити декілька розпилювань, пилу між розпилюваннями слід зупиняти.

⚠ОБЕРЕЖНО:

- Якщо для розпилювання використовувати верхній край шини, то пила може відхилитись, та пильний ланцюг може заклинити. Тому слід пиляти нижнім краєм, щоб пила була направлена від вашого тіла.

мал.23

Спочатку пиляйте дерево під навантаженням з боку прогину (А). Потім зробіть кінцевий пропили з боку натягу (В). Це запобігає заїданню шини.

мал.24

Обрізання сучків

⚠ОБЕРЕЖНО:

- Обрізання сучків повинно виконуватись спеціально навченими особами. Ризик віддачі створює небезпеку.

Під час обрізання сучків, якщо можливо, слід оперти пилу на стовбур. Не слід пиляти кінцем шини, оскільки це створює ризик віддачі.

Особливу увагу слід приділяти гілкам, що знаходяться під навантаженням. Заборонено пиляти знизу гілки, що не мають опори.

Заборонено стояти на стовбурі під час обрізання сучків.

Риючі пропили та пропили, паралельні волокнам

⚠ОБЕРЕЖНО:

- Риючі пропили та пропили, паралельні волокнам повинні виконуватись спеціально навченими особами. Можливість віддачі створює небезпеку поранення.

мал.25

Паралельні волокнам пропили слід виконувати під максимально малим кутом. Пропил слід виконувати якомога обережніше, оскільки під час його виконання неможливо використовувати зубчастий упор.

Ваління лісу

⚠ОБЕРЕЖНО:

- Роботи з ваління лісу повинні виконуватись спеціально навченими особами. Ця робота є небезпечною.

У разі потреби спиляти дерево слід виконувати місцеві вимоги.

мал.26

– Перед початком работ з ваління лісу слід перевірити наступне:

- (1) Що поблизу знаходяться тільки особи, задіяні у роботах в з ваління лісу;
- (2) Кожна задіяна в роботах людина повинна мати шлях вільного відходу в межах приблизно 45 ° з кожного боку від вісі ваління. Слід також взяти до уваги ризик чіпляння за електричні кабелі;
- (3) На основі стовбура не повинно бути сторонніх предметів, коріння або гілок;
- (4) На відстані 2,5 довжини дерева у напрямку його падіння не повинно бути людей та будь-яких предметів.

– ПО кожному дереву слід перевірити наступне:

- Напрямок упора;
- Слабкі або сухі гілки;
- Висота дерева;
- Природне провисання;
- Чи є дерево гнилим.

- Беріть до уваги швидкість та напрям вітру. Не треба проводити роботи з ваління лісу під час сильних поривів вітру.
- Обрізання напливів коріння: Починайте з найбільшого напливу. Спочатку слід зробити вертикальний зріз, а потім - горизонтальний.

мал.27

- Випиляйте підпилку. Підпилка визначає напрям, у якому падатиме дерево, а також направляє його. Підпилку роблять з того боку дерева, у який воно падатиме. Підпилку треба робити якомога ближче до землі. Спочатку треба зробити горизонтальний проріз на 1/5-1/3 діаметра стовбура. Не слід робити підпилку занадто великою. Після цього зробіть діагональний проріз.
- Скорегуйте підпилку по всій її ширині.

мал.28

- Зробіть протилежний виріз дещо вище, ніж основа підпилки. Протилежний виріз повинен бути чітко горизонтальним. Залиште приблизно 1/10 діаметра стовбура між протилежним вирізом та підпилкою. Волокна деревини на незрізаній частині стовбура виконують функцію шарніра. Ні за яких обставин не слід перерізати волокна, оскільки це може призвести до неконтрольованого падіння дерева. Слід вчасно вставляти клини у пропил.
- Для того щоб утримувати пропил відкритим, можна використовувати лише пластикові або алюмінієві клини. Використовувати залізні клини заборонено.
- Слід стояти збоку від дерева, що падає. Ділянку ззаду дерева, що падає, слід залишити свободою під кутом біля 45 ° з обох сторін вісі (див. малюнок "ділянка ваління") Слід бути уважним та дивитись за гілками, що падають.
- Шлях аварійного відходу повинен бути належним чином спланований та розчищений перед тим, як починати різання. Шлях аварійного відходу повинен вести по діагоналі назад від очікуваної лінії падіння, як вказано на малюнку.

мал.29

ТЕХНІЧНЕ ОБСЛУГОВУВАННЯ

⚠ОБЕРЕЖНО:

- Перед тим, як оглянути інструмент, або виконати ремонт, переконайтеся, що він вимкнений та відключений від мережі.
- Під час перевірки або обслуговування слід бути у захисних рукавицях.
- Ніколи не використовуйте газолін, бензин, розріджувач, спирт та подібні речовини. Їх використання може призвести до зміни кольору, деформації та появи тріщин.

Описані нижче роботи з обслуговування слід проводити регулярно. Претензії по гарантії прийматимуться тільки за умови регулярного та належного виконання цих робіт.

Користувач може проводити лише роботи з обслуговування, зазначені в цих інструкціях з експлуатації. Усі інші роботи повинні здійснюватися в авторизованому сервісному центрі компанії MAKITA.

Чищення пильного ланцюга

Пилу слід регулярно чистити за допомогою чистого дрانتя. Зокрема ручки повинні завжди очищатись від мастила.

Перевірка пластикового корпусу

Слід проводити регулярну візуальну перевірку усіх деталей корпусу. У разі пошкодження будь-яких деталей слід негайно звертатися з питань їхньої заміни до авторизованого сервісного центру MAKITA.

Заточка ланцюгової пили

⚠ОБЕРЕЖНО:

- При виконанні робіт на ланцюговій пилі слід завжди вимикати її з сіті та вдягати захисні рукавиці.

мал.30

Пильний ланцюг слід заточити, коли:

- Під час пиляння сирого дерева утворюється борошніста тирса;
- Ланцюг входить в дерево на силу, навіть якщо на пилу натиснути;
- Ріжуча кромка явно пошкоджена;
- Пилу в деревині тягне праворуч або ліворуч. Причина такої поведінки – нерівномірною заточкою пильного ланцюга або пошкодження однієї сторони.

Слід часто заточувати пилу, але при цьому кожного разу слід сточувати небагато металу.

Для повсякденного заточування зазвичай вистачає двох або трьох проходів напилком. Після того як ланцюгова пила була заточена декілька разів, її слід заточити в авторизованому сервісному центрі MAKITA.

Критерії заточки:

- Довжина всіх зубців повинна бути однаковою. Якщо зубці будуть різної довжини, це заважатиме належній роботі ланцюга і може призвести до його поломки.
- Якщо було досягнуто мінімальну довжину різачка 3 мм, більше ланцюг заточувати неможна. Треба встановити новий ланцюг.
- Товщина щіпки визначається відстанню між глибиноміром (круглим носиком) та ріжучою кромкою.
- Найліпші результати пиляння забезпечуються, коли відстань між ріжучою кромкою та глибиноміром є такою.

Полотно ланцюга 91PX: 0,65 мм

мал.31

⚠УВАГА:

- Занадто велика відстань збільшує ризик віддачі.
- Кут заточки усіх зубців повинен бути 30°. Якщо кут заточки зубців неоднаковий, це призводить до нерівномірної та ускладненої роботи ланцюга, що прискорює його знос та призводить до його поломки.
- Кут бокової пластини зубця визначається глибиною проникнення круглого напилка. Якщо спеціальний напилки використовувати належним чином, правильний кут бокової пластини зубця буде забезпечуватись автоматично.
- Кут бокової пластини зубця для кожного пиляльного ланцюга такий:
Полотно ланцюга 91PX: 80°

мал.32

Напилки та направлення напилка

- Для заточки ланцюга слід використовувати спеціальний круглий напилки для пиляльних ланцюгів (додаткове приладдя). Звичайні круглі напилки не підходять.
- Діаметр круглого напилка для кожного пиляльного ланцюга такий:
Полотно ланцюга 91PX: 4,0 мм
- Напилки повинен обробляти зубець тільки під час руху уперед. Під час зворотного руху напилки слід піднімати над зубцем.
- Спочатку слід заточити найкоротший зубець. Потім довжина цього найкоротшого зубця стає стандартом для всіх інших зубців на пиляльному ланцюзі.

мал.33

- Направляйте напилки як показано на малюнку.
- Напилки легше направляти, якщо використовувати держак для напилка (додаткова приналежність). На держак для напилка є мітки вірного кута заточки 30° (слід виставити мітки паралельно пильному ланцюгу), та він також обмежує глибину проникнення (на 4/5 діаметра напилка).

мал.34

- Після заточки ланцюга слід перевірити висоту глибиноміра, використовуючи щуп для пильного ланцюга (додаткова приналежність).

мал.35

- Слід видалити матеріал, що виступає, однак це слід робити за допомогою спеціального плоского напилка (додаткова приналежність).
- Ще раз закругліть передню частину глибиноміра.

Чищення шини та змащення зірочки

⚠ОБЕРЕЖНО:

- Для виконання цього завдання слід завжди вдягати захисні рукавиці. Задирки створюють небезпеку поранення.

мал.36

Регулярно перевіряйте робочі поверхні шини на наявність пошкоджень. Чищення слід проводити з використанням належного інструмента, при необхідності видаляйте задирки.

Якщо ланцюговою пилою користуються часто, слід не менш ніж раз на тиждень змащувати підшипник зворотної зірочки. Перед тим, як заливати нове мастило, слід ретельно вичистити 2 мм отвір на кінці шини, а потім залити невелику кількість багатоцільового мастила (додаткова приналежність) в отвір.

Чищення прямого жолоба для мастила.

мал.37

- Регулярно очищуйте паз та отвір для заливання мастила на шині.

Нові пильні ланцюги

По черзі використовуйте два щоб три пильних ланцюга, щоб пильний ланцюг, зірочка та робочі поверхні шини зношувались рівномірно.

У разі заміни ланцюга слід перевернути шину, щоб паз шини зношувався рівномірно.

⚠ОБЕРЕЖНО:

- Використовуйте тільки ланцюги та шини, що є рекомендованими для використання із цією пилою (див. "ТЕХНІЧНІ ХАРАКТЕРИСТИКИ").

мал.38

Перед тим, як встановлювати новий ланцюг, слід перевірити стан зірочки.

⚠ОБЕРЕЖНО:

- Зношена зірочка завдає шкоди новому пиляльному ланцюгу. У такому випадку зірочку необхідно замінити.

У разі заміни зірочки слід завжди замінювати стопорне кільце.

Обслуговування ланцюга та інерційних гальм

Гальмові системи є дуже важливими засобами безпеки. Як усі інші частини ланцюгової пили, вони теж піддаються певному зносу. Їх повинні регулярно оглядати представники авторизованого сервісного центру MAKITA. Це забезпечить вашу власну безпеку.

Заміна вугільних щіток

мал.39

Регулярно знімайте та перевіряйте вугільні щітки. Замінюйте їх, коли знос сягає граничної відмітки.

Вугільні щітки повинні бути чистими та вільно рухатись у щіткотримачах. Одночасно треба замінювати обидві вугільні щітки. Використовуйте лише однакові вугільні щітки.

мал.40

Для виймання ковпачків щіткотримачів користуйтеся викруткою. Видаліть зношені вугільні щітки, вставте нові та закріпіть ковпачки щіткотримачів.

Після заміни щіток увімкніть інструмент в електромережу та притріть щітки, давши інструментові попрацювати без навантаження близько 10 хвилин.

Зберігання інструмента

Масило для пильного ланцюга, що піддається біологічному розпаду можна зберігати тільки протягом обмеженого часу. Через два роки після виготовлення, біологічні мастила набувають клейких властивостей, та можуть завдати шкоди мастильному насосові та компонентам системи змащування.

- Перед тим, як знімати пильний ланцюг на тривалий період, слід опорожнити мастильний бак за допомогою невеликої кількості машинного мастила (SAE30).
- Слід запустити пилу та дати їй трохи попрацювати, щоб вимити залишки біологічного мастила із системи змащування та механізму пили.

ПРИМІТКА:

- Після припинення експлуатації ланцюгової пили з неї ще протягом деякого часу витікатиме невелика кількість мастила. Це є нормальним явищем і не є ознакою дефекту.

Ланцюгову пилу слід зберігати на належній поверхні. Перед тим, як повертати ланцюгову пилу в експлуатацію, в неї слід залити свіже мастило для пильного ланцюга ВІОТОР.

Для того, щоб підтримувати БЕЗПЕКУ та НАДІЙНІСТЬ, ремонт, технічне обслуговування або регулювання мають виконувати уповноважені центри обслуговування "Макіта", де використовуються лише стандартні запчастини "Макіта".

УСУНЕННЯ НЕСПРАВНОСТЕЙ

Перш ніж віддавати інструмент для виконання ремонту, проведіть його перевірку власноруч. У разі виявлення несправності, яка не пояснюється в цих інструкціях з експлуатації, не намагайтеся розібрати інструмент. Замість цього зверніться до авторизованого сервісного центру Makita.

Статус несправності	Можлива причина	Спосіб виправлення
Ланцюгова пила не запускається.	Відсутнє живлення.	Підключіть до джерела живлення. Перевірте, чи є живлення.
	Несправний кабель.	Негайно припиніть використання інструмента і зверніться до найближчого авторизованого сервісного центру.
	Інструмент несправний.	Негайно припиніть використання інструмента і зверніться до найближчого авторизованого сервісного центру.
Ланцюг не рухається.	Натиснуто гальмо ланцюга.	Відпустіть гальмо ланцюга.
Недостатня продуктивність.	Зношена графітова щітка.	Зверніться до місцевого авторизованого сервісного центру з приводу ремонту.
На ланцюзі немає мастила.	Мастильний бак порожній.	Заповніть мастильний бак.
	Забруднений напрямний жолоб для мастила.	Прочистіть жолоб.
	Гвинт регулювання мастильного насоса відрегульований неправильно.	Відрегулюйте продуктивність мастильного насоса.
Ланцюг не зупиняється, навіть коли гальмо ланцюга натиснуто.	Зношена стрічка гальма.	Негайно припиніть використання інструмента і зверніться до найближчого авторизованого сервісного центру.
Завелика вібрація інструмента.	Послабте шину або пиляльний ланцюг.	Відрегулюйте шину та натяг пиляльного ланцюга.
	Інструмент несправний.	Негайно припиніть використання інструмента і зверніться до найближчого авторизованого сервісного центру.

014314

ДОДАТКОВЕ ПРИЛАДДЯ

ОБЕРЕЖНО:

- Це оснащення або приладдя рекомендовано для використання з інструментами "Макіта", що описані в інструкції з експлуатації. Використання якогось іншого оснащення або приладдя може спричинити травмування. Оснащення або приладдя слід використовувати лише за призначенням.

У разі необхідності, отримати допомогу в більш детальному ознайомленні з оснащенням звертайтеся до місцевого Сервісного центру "Макіта".

- Ланцюгова пила
- Кожух шини
- Шина
- Мастило для пиляльного ланцюга

ПРИМІТКА:

- Деякі елементи списку можуть входити до комплекту інструмента як стандартне приладдя. Вони можуть відрізнятися залежно від країни.

Makita Jan-Baptist Vinkstraat 2, 3070, Belgium
Makita Corporation Anjo, Aichi, Japan

885287B964

www.makita.com