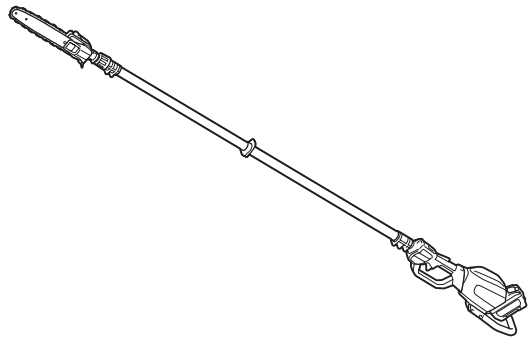




EN	Cordless Telescopic Pole Saw	INSTRUCTION MANUAL	10
ZHCN	充电式可伸缩高枝锯	使用说明书	25
ID	Gergaji Galah Teleskopik Tanpa Kabel	PETUNJUK PENGGUNAAN	40
MS	Gergaji Tiang Teleskop Tanpa Kord	MANUAL ARAHAN	56
VI	Máy Cưa Cành Trên Cao Có Đầu Nối Điều Chỉnh Cầm Tay Hoạt Động Bằng Pin	TÀI LIỆU HƯỚNG DẪN	72
TH	เลื่อยตัดแต่งกิ่งไม้สูงไร้สายแบบหดได้	คู่มือการใช้งาน	87

UA004G



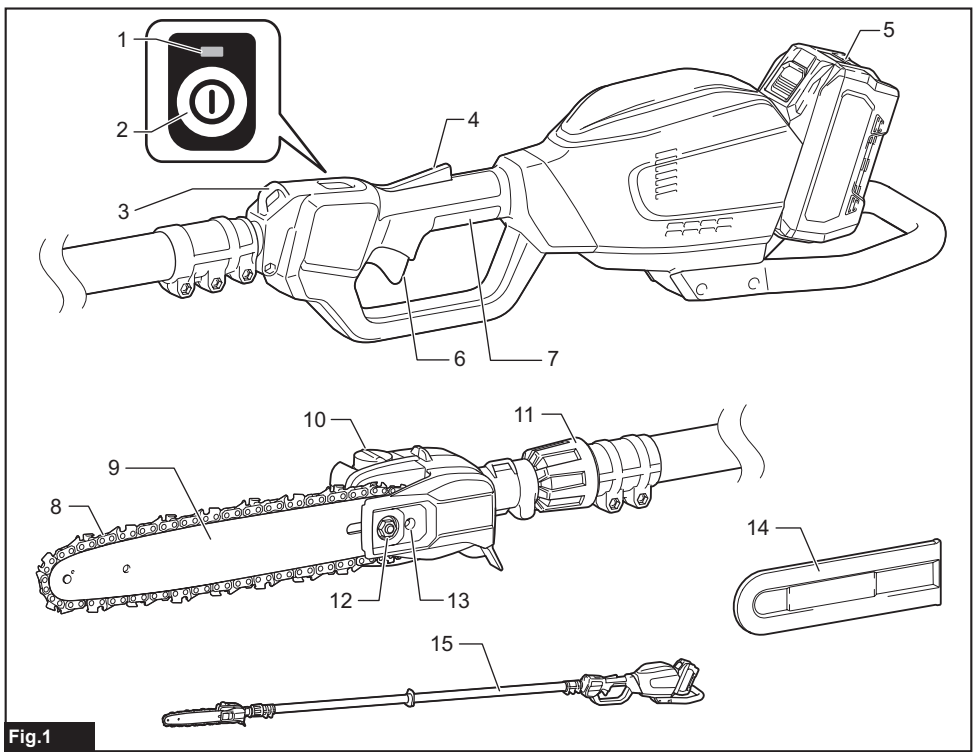


Fig.1

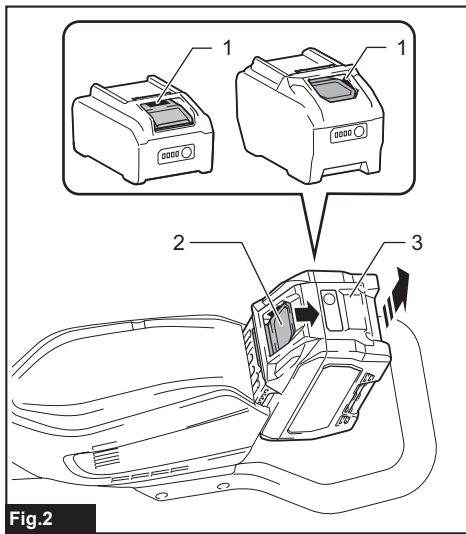


Fig.2

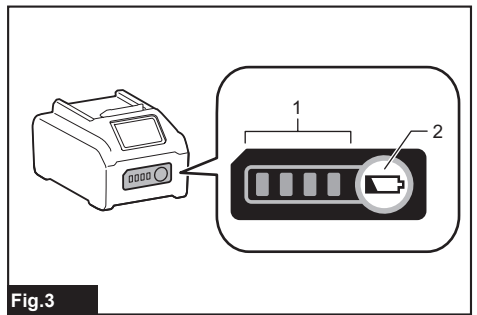


Fig.3

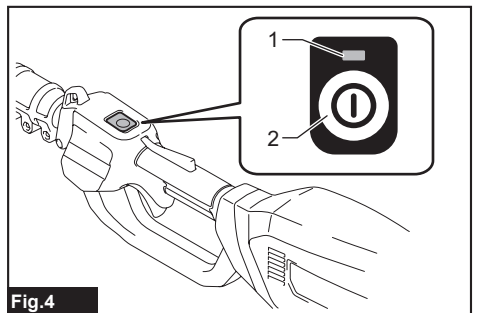
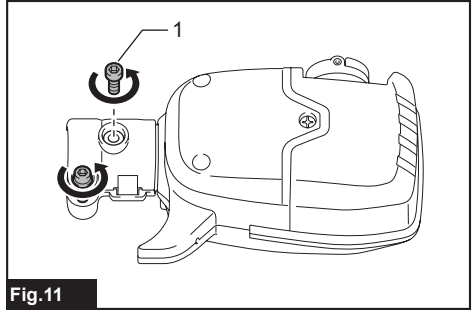
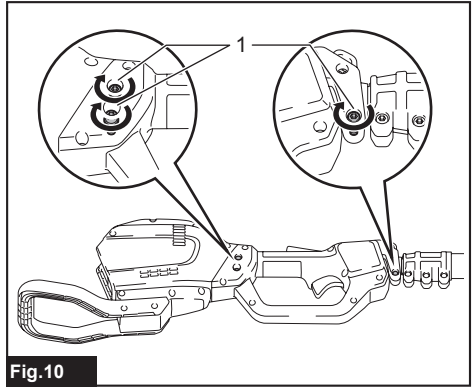
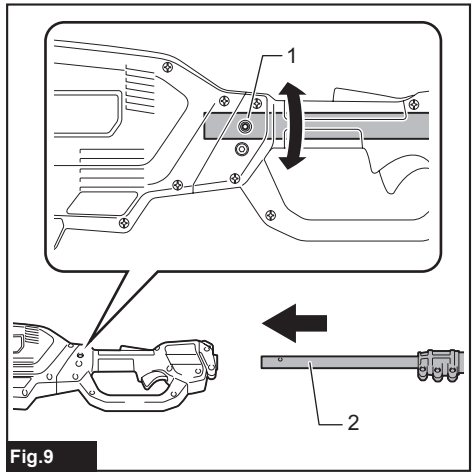
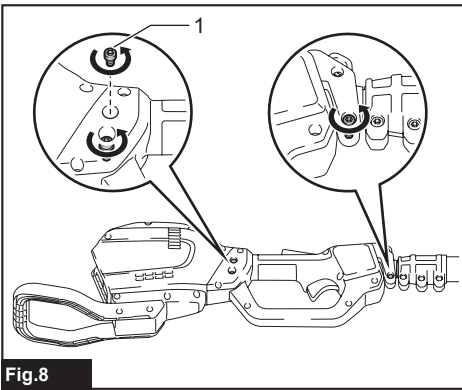
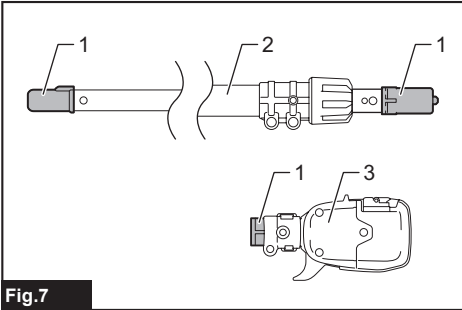
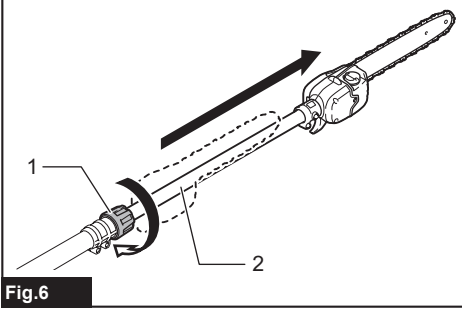
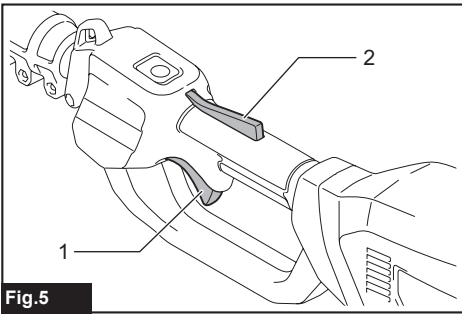
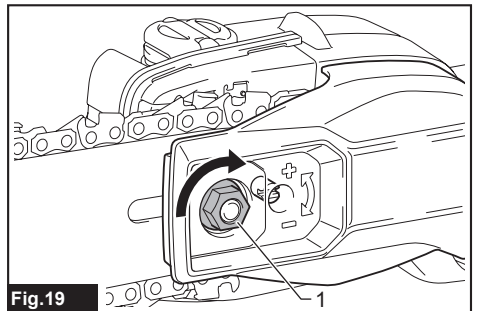
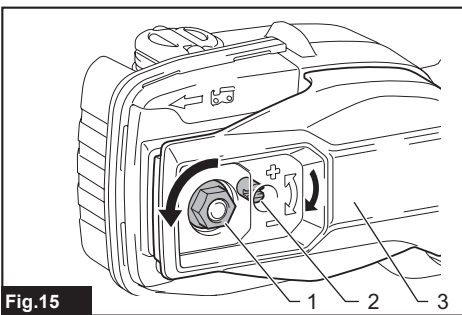
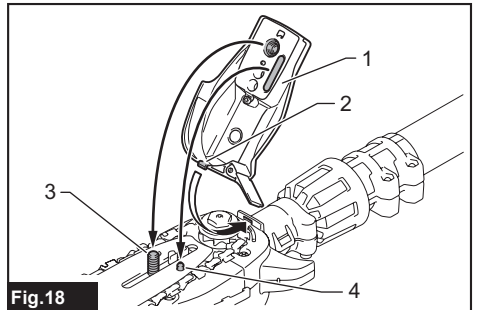
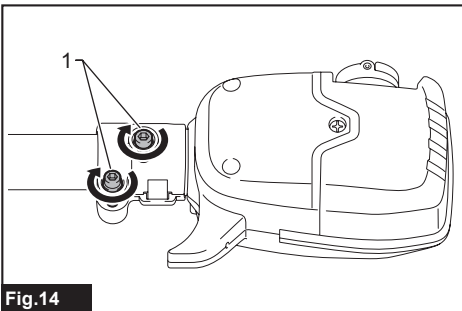
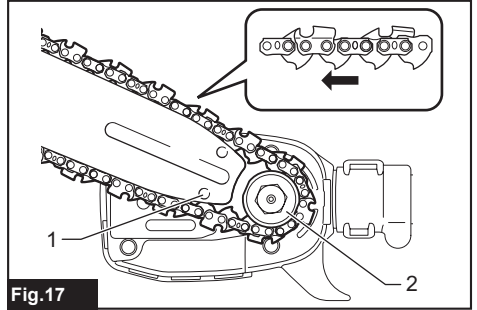
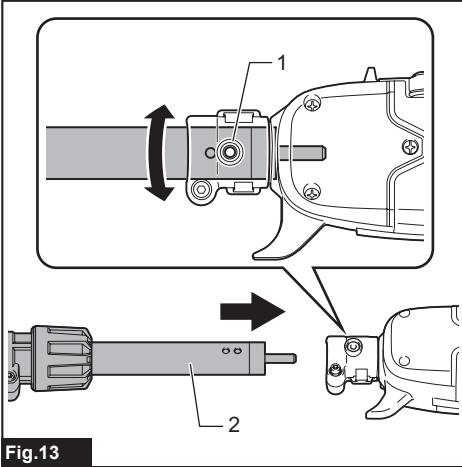
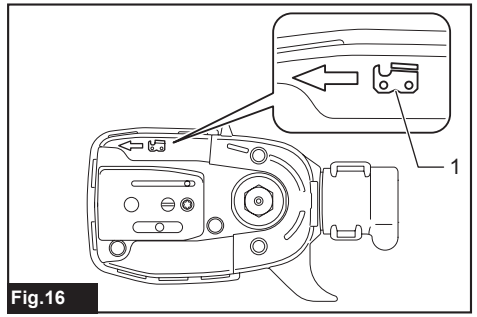
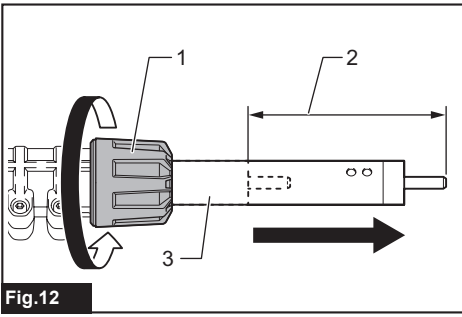


Fig.4





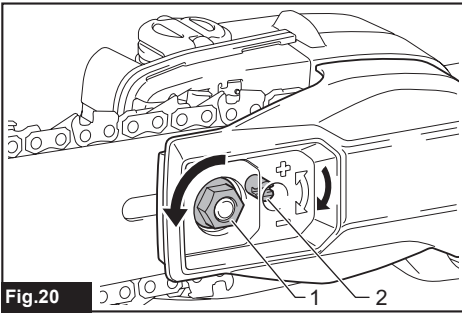


Fig.20

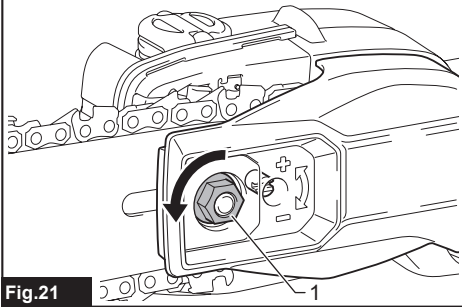


Fig.21

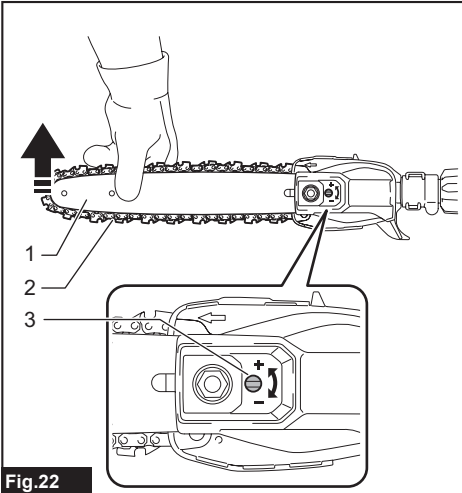


Fig.22

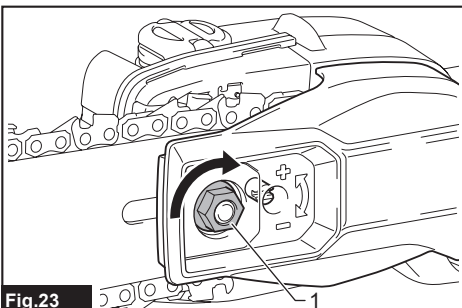


Fig.23

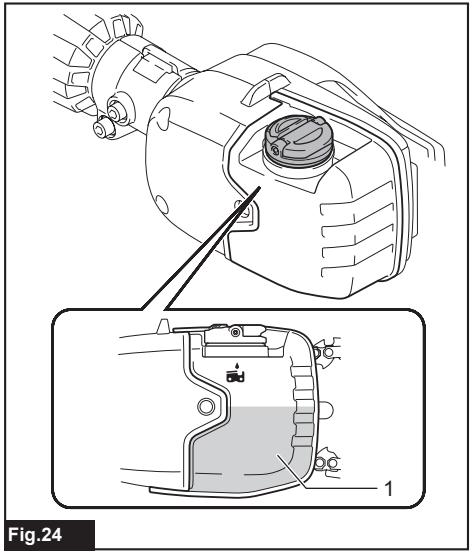


Fig.24

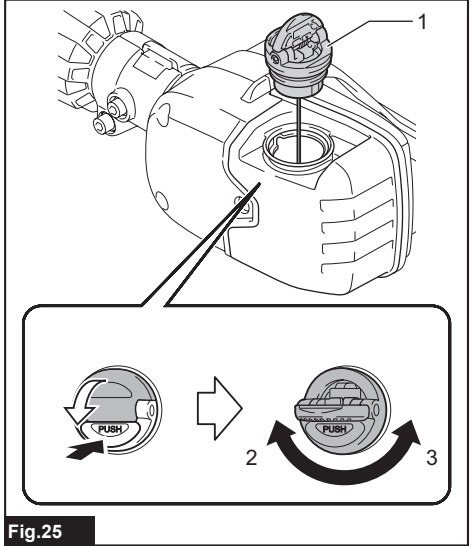


Fig.25

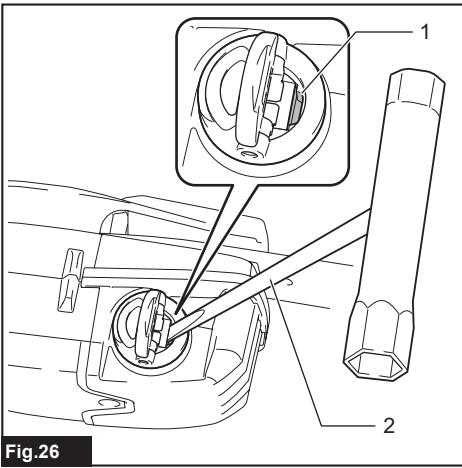


Fig.26

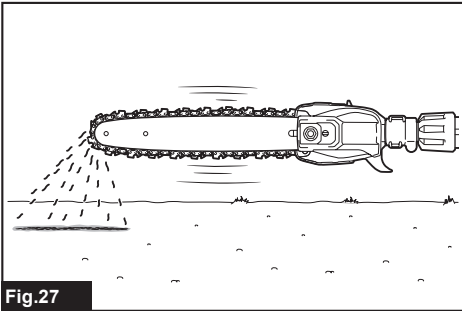


Fig.27

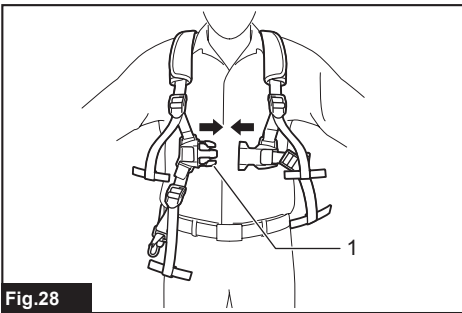


Fig.28

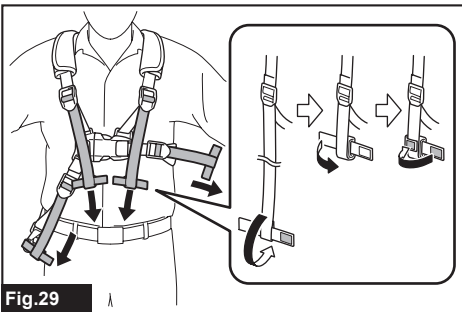


Fig.29

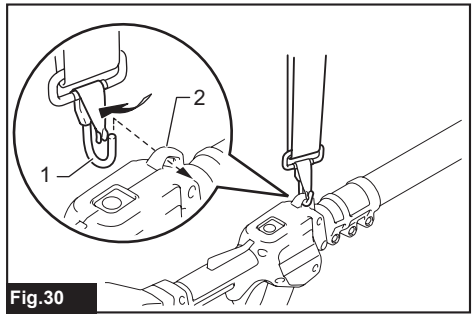


Fig.30

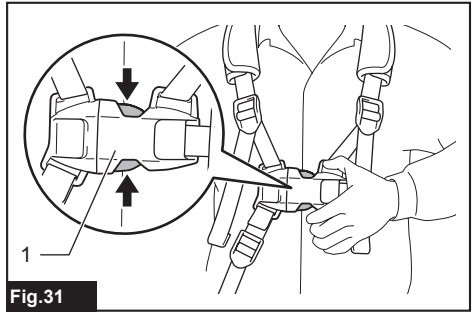


Fig.31

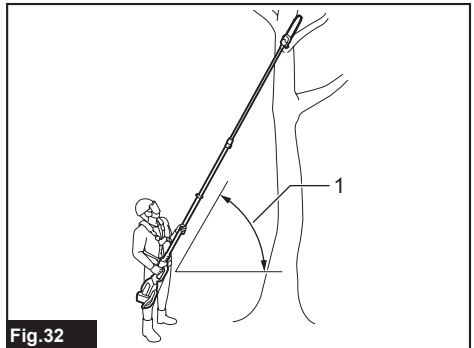


Fig.32

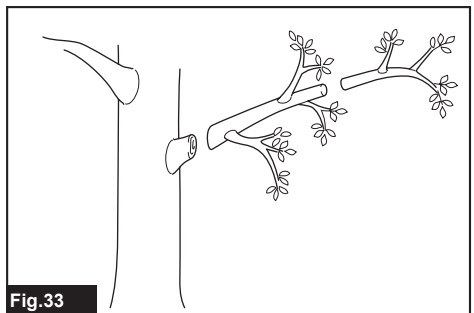


Fig.33

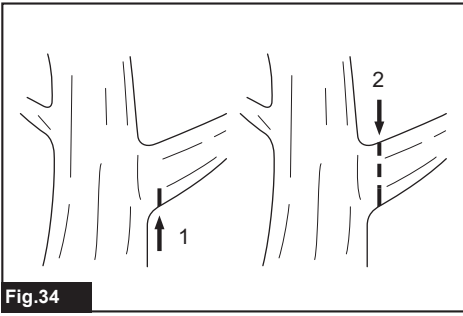


Fig.34

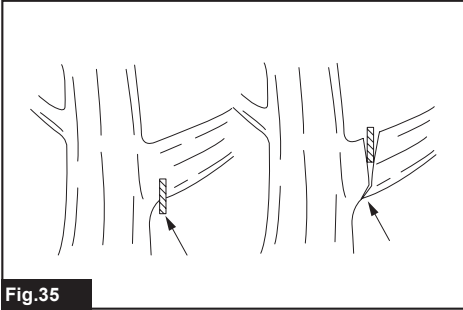


Fig.35

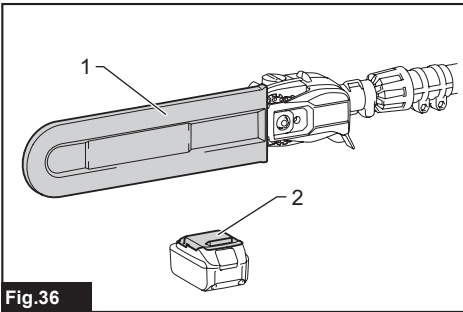


Fig.36

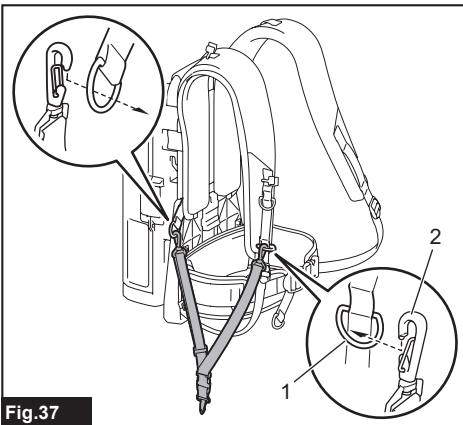


Fig.37

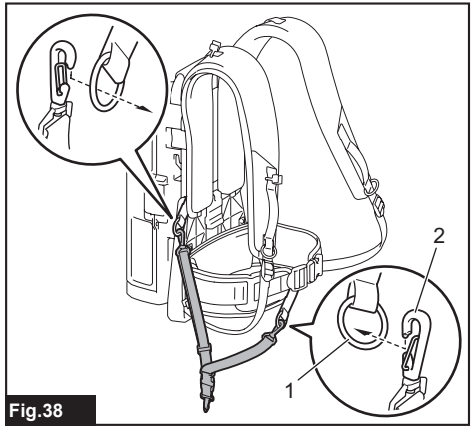


Fig.38

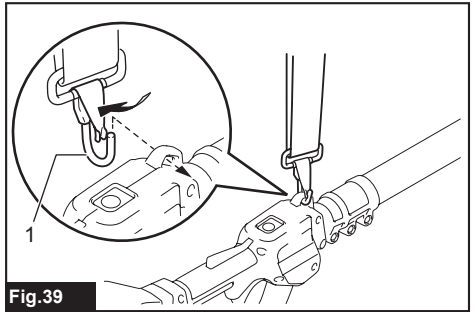


Fig.39

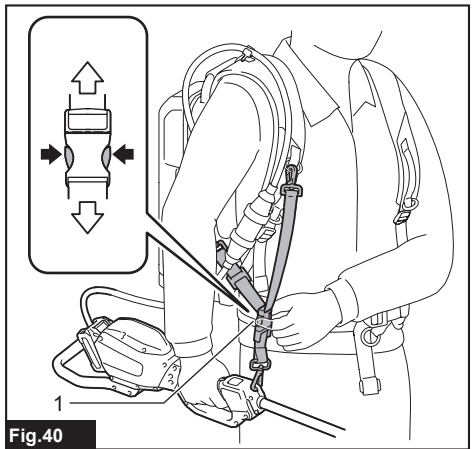


Fig.40

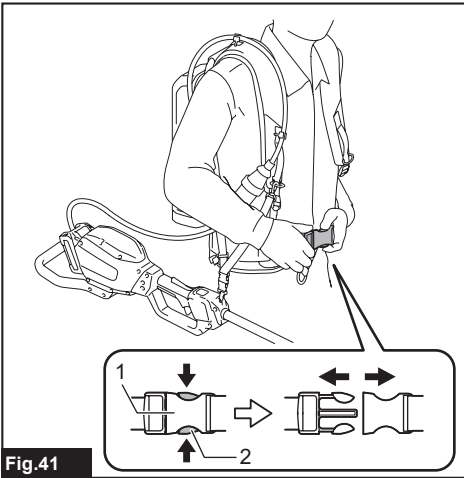


Fig.41

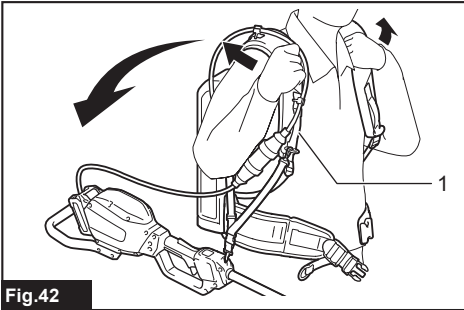


Fig.42

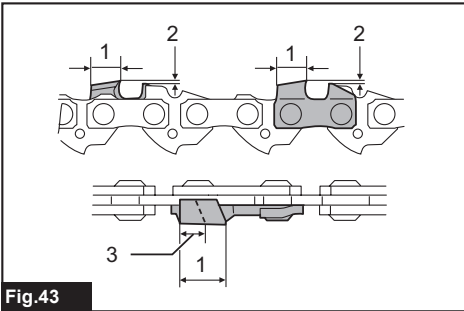


Fig.43

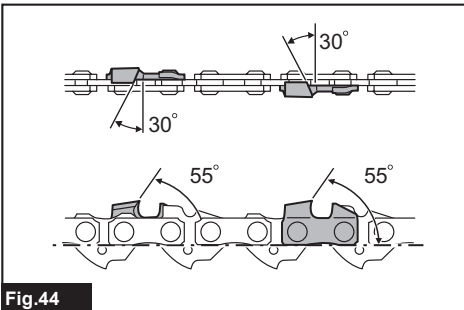


Fig.44

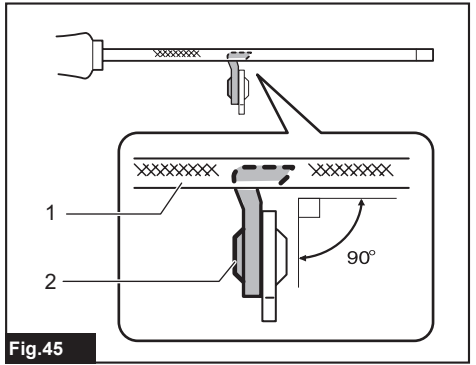


Fig.45

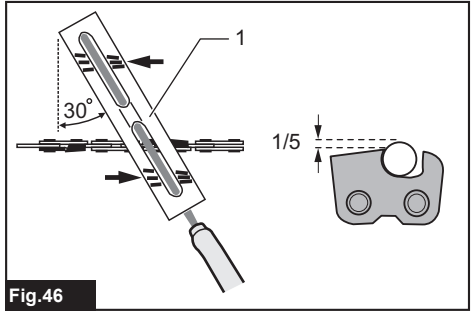


Fig.46

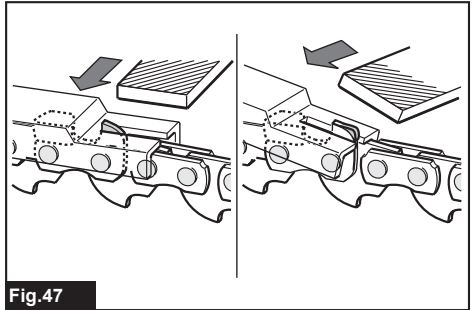


Fig.47

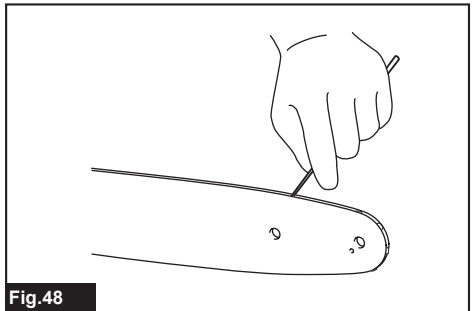


Fig.48

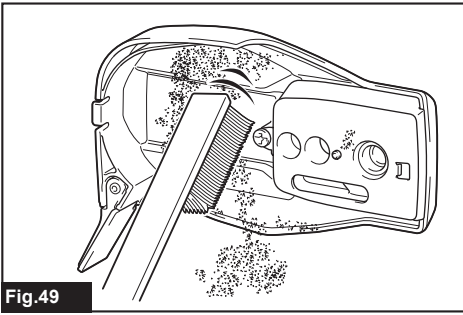


Fig.49

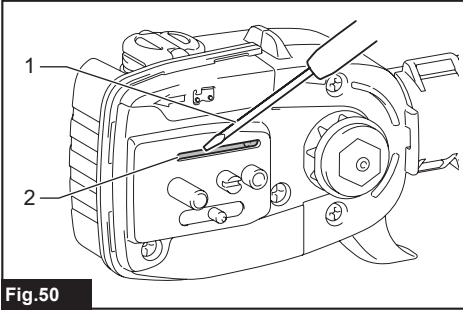


Fig.50

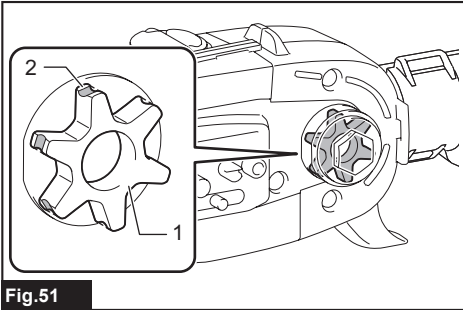


Fig.51

SPECIFICATIONS

Model:		UA004G
Overall length (without guide bar and battery)		2,516 - 3,748 mm
Rated voltage		D.C. 36 V - 40 V max
Net weight	*1	7.8 kg
	*2	7.8 - 8.5 kg
Standard guide bar length		300 mm
Recommended guide bar length	with 90PX	250 - 300 mm
	with 91PX	250 - 300 mm
Applicable saw chain type (refer to the table below)		90PX 91PX
Standard sprocket	Number of teeth	6
	Pitch	3/8"
Chain speed		0 - 20 m/s (0 - 1,200 m/min)
Chain oil tank volume		160 cm ³
Protection degree		IPX4

- Due to our continuing program of research and development, the specifications herein are subject to change without notice.
- Specifications may differ from country to country.

*1: Weight, with largest battery cartridge and empty oil tank, and without guide bar, chain, and shoulder harness, according to EN ISO11680-1.

*2: The lightest and heaviest combination of weight, according to EPTA-Procedure 01/2014. The weight may differ depending on the attachment(s), including the battery cartridge.

Applicable battery cartridge and charger

Battery cartridge	BL4020 / BL4025 / BL4040* / BL4050F* * : Recommended battery
Charger	DC40RA / DC40RB / DC40RC

- Some of the battery cartridges and chargers listed above may not be available depending on your region of residence.

⚠WARNING: Only use the battery cartridges and chargers listed above. Use of any other battery cartridges and chargers may cause injury and/or fire.

Recommended cord connected power source

Portable power pack	PDC01 / PDC1200
---------------------	-----------------

- The cord connected power source(s) listed above may not be available depending on your region of residence.
- Before using the cord connected power source, read instruction and cautionary markings on them.

Saw chain, guide bar, and sprocket combination











Saw chain type		90PX
Number of drive links		46
Guide bar	Guide bar length	300 mm
	Cutting length	296 mm
	Pitch	3/8"
	Gauge	1.1 mm
	Type	Sprocket nose bar
Sprocket	Number of teeth	6
	Pitch	3/8"

Saw chain type		91PX
Number of drive links		46
Guide bar	Guide bar length	300 mm
	Cutting length	296 mm
	Pitch	3/8"
	Gauge	1.3 mm
	Type	Sprocket nose bar
Sprocket	Number of teeth	6
	Pitch	3/8"

⚠ WARNING: Use appropriate combination of the guide bar and saw chain. Otherwise personal injury may result.

Symbols

The followings show the symbols which may be used for the equipment. Be sure that you understand their meaning before use.

	Read instruction manual.
	Wear a helmet, goggles and ear protection.
	Wear protective gloves.
	Wear sturdy boots with nonslip soles. Steeltoed safety boots are recommended.
	Beware of electrical lines, risk of electrical shock.
	Keep distance at least 15 m.
	Maximum permissible cut length
	Direction of chain travel
	Chain oil tank
	Hot surfaces - Burns to fingers or hands.



Only for EU countries

Due to the presence of hazardous components in the equipment, waste electrical and electronic equipment, accumulators and batteries may have a negative impact on the environment and human health. Do not dispose of electrical and electronic appliances or batteries with household waste!

In accordance with the European Directive on waste electrical and electronic equipment and on accumulators and batteries and waste accumulators and batteries, as well as their adaptation to national law, waste electrical equipment, batteries and accumulators should be stored separately and delivered to a separate collection point for municipal waste, operating in accordance with the regulations on environmental protection.

This is indicated by the symbol of the crossed-out wheeled bin placed on the equipment.



Guaranteed sound power level according to EU Outdoor Noise Directive.



Sound power level according to Australia NSW Noise Control Regulation.

Intended use

The tool is intended for pruning branches and limbs.

SAFETY WARNINGS

General power tool safety warnings

⚠ WARNING: Read all safety warnings, instructions, illustrations and specifications provided with this power tool. Failure to follow all instructions listed below may result in electric shock, fire and/or serious injury.

Save all warnings and instructions for future reference.

The term "power tool" in the warnings refers to your mains-operated (corded) power tool or battery-operated (cordless) power tool.

Work area safety

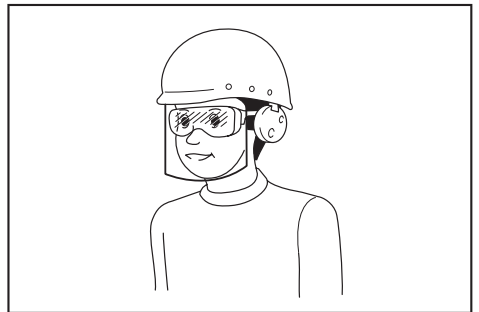
1. **Keep work area clean and well lit.** Cluttered or dark areas invite accidents.
2. **Do not operate power tools in explosive atmospheres, such as in the presence of flammable liquids, gases or dust.** Power tools create sparks which may ignite the dust or fumes.
3. **Keep children and bystanders away while operating a power tool.** Distractions can cause you to lose control.

Electrical safety

1. **Power tool plugs must match the outlet. Never modify the plug in any way. Do not use any adapter plugs with earthed (grounded) power tools.** Unmodified plugs and matching outlets will reduce risk of electric shock.
2. **Avoid body contact with earthed or grounded surfaces, such as pipes, radiators, ranges and refrigerators.** There is an increased risk of electric shock if your body is earthed or grounded.
3. **Do not expose power tools to rain or wet conditions.** Water entering a power tool will increase the risk of electric shock.
4. **Do not abuse the cord. Never use the cord for carrying, pulling or unplugging the power tool. Keep cord away from heat, oil, sharp edges or moving parts.** Damaged or entangled cords increase the risk of electric shock.
5. **When operating a power tool outdoors, use an extension cord suitable for outdoor use.** Use of a cord suitable for outdoor use reduces the risk of electric shock.
6. **If operating a power tool in a damp location is unavoidable, use a residual current device (RCD) protected supply.** Use of an RCD reduces the risk of electric shock.
7. **Power tools can produce electromagnetic fields (EMF) that are not harmful to the user.** However, users of pacemakers and other similar medical devices should contact the maker of their device and/or doctor for advice before operating this power tool.

Personal safety

1. **Stay alert, watch what you are doing and use common sense when operating a power tool. Do not use a power tool while you are tired or under the influence of drugs, alcohol or medication.** A moment of inattention while operating power tools may result in serious personal injury.
2. **Use personal protective equipment. Always wear eye protection.** Protective equipment such as a dust mask, non-skid safety shoes, hard hat or hearing protection used for appropriate conditions will reduce personal injuries.
3. **Prevent unintentional starting. Ensure the switch is in the off-position before connecting to power source and/or battery pack, picking up or carrying the tool.** Carrying power tools with your finger on the switch or energising power tools that have the switch on invites accidents.
4. **Remove any adjusting key or wrench before turning the power tool on.** A wrench or a key left attached to a rotating part of the power tool may result in personal injury.
5. **Do not overreach. Keep proper footing and balance at all times.** This enables better control of the power tool in unexpected situations.
6. **Dress properly. Do not wear loose clothing or jewellery. Keep your hair and clothing away from moving parts.** Loose clothes, jewellery or long hair can be caught in moving parts.
7. **If devices are provided for the connection of dust extraction and collection facilities, ensure these are connected and properly used.** Use of dust collection can reduce dust-related hazards.
8. **Do not let familiarity gained from frequent use of tools allow you to become complacent and ignore tool safety principles.** A careless action can cause severe injury within a fraction of a second.
9. **Always wear protective goggles to protect your eyes from injury when using power tools. The goggles must comply with ANSI Z87.1 in the USA, EN 166 in Europe, or AS/NZS 1336 in Australia/New Zealand. In Australia/New Zealand, it is legally required to wear a face shield to protect your face, too.**



It is an employer's responsibility to enforce the use of appropriate safety protective equipments by the tool operators and by other persons in the immediate working area.

Power tool use and care

1. **Do not force the power tool. Use the correct power tool for your application.** The correct power tool will do the job better and safer at the rate for which it was designed.
2. **Do not use the power tool if the switch does not turn it on and off.** Any power tool that cannot be controlled with the switch is dangerous and must be repaired.
3. **Disconnect the plug from the power source and/or remove the battery pack, if detachable, from the power tool before making any adjustments, changing accessories, or storing power tools.** Such preventive safety measures reduce the risk of starting the power tool accidentally.
4. **Store idle power tools out of the reach of children and do not allow persons unfamiliar with the power tool or these instructions to operate the power tool.** Power tools are dangerous in the hands of untrained users.
5. **Maintain power tools and accessories. Check for misalignment or binding of moving parts, breakage of parts and any other condition that may affect the power tool's operation. If damaged, have the power tool repaired before use.** Many accidents are caused by poorly maintained power tools.
6. **Keep cutting tools sharp and clean.** Properly maintained cutting tools with sharp cutting edges are less likely to bind and are easier to control.
7. **Use the power tool, accessories and tool bits etc. in accordance with these instructions, taking into account the working conditions and the work to be performed.** Use of the power tool for operations different from those intended could result in a hazardous situation.
8. **Keep handles and grasping surfaces dry, clean and free from oil and grease.** Slippery handles and grasping surfaces do not allow for safe handling and control of the tool in unexpected situations.
9. **When using the tool, do not wear cloth work gloves which may be entangled.** The entanglement of cloth work gloves in the moving parts may result in personal injury.

Battery tool use and care

1. **Recharge only with the charger specified by the manufacturer.** A charger that is suitable for one type of battery pack may create a risk of fire when used with another battery pack.
2. **Use power tools only with specifically designated battery packs.** Use of any other battery packs may create a risk of injury and fire.
3. **When battery pack is not in use, keep it away from other metal objects, like paper clips, coins, keys, nails, screws or other small metal objects, that can make a connection from one terminal to another.** Shorting the battery terminals together may cause burns or a fire.
4. **Under abusive conditions, liquid may be ejected from the battery; avoid contact. If contact accidentally occurs, flush with water. If liquid contacts eyes, additionally seek medical help.** Liquid ejected from the battery may cause irritation or burns.

5. **Do not use a battery pack or tool that is damaged or modified.** Damaged or modified batteries may exhibit unpredictable behaviour resulting in fire, explosion or risk of injury.
6. **Do not expose a battery pack or tool to fire or excessive temperature.** Exposure to fire or temperature above 130 °C may cause explosion.
7. **Follow all charging instructions and do not charge the battery pack or tool outside the temperature range specified in the instructions.** Charging improperly or at temperatures outside the specified range may damage the battery and increase the risk of fire.

Service

1. **Have your power tool serviced by a qualified repair person using only identical replacement parts.** This will ensure that the safety of the power tool is maintained.
2. **Never service damaged battery packs.** Service of battery packs should only be performed by the manufacturer or authorized service providers.
3. **Follow instruction for lubricating and changing accessories.**

Cordless Telescopic Pole Saw Safety Warnings

General precautions

1. **Before starting the tool, read this instruction manual to become familiar with the handling of the tool.**
2. **Do not lend the tool to a person with insufficient experience or knowledge regarding handling of the tool.**
3. **When lending the tool, always attach this instruction manual.**
4. **Do not allow children or young persons under 18 years old to use the tool. Keep them away from the tool.**
5. **Handle the tool with the utmost care and attention.**
6. **Never use the tool after consuming alcohol or drugs, or if feeling tired or ill.**
7. **Never attempt to modify the tool.**
8. **Do not use the tool in bad weather conditions, especially when there is a risk of lightning.** This decreases the risk of being struck by lightning.
9. **National regulations may restrict of the use of the tool. Follow the regulations about handling of the tool in your country.**

Personal protective equipment

1. **Wear safety helmet, protective goggles and protective gloves to protect yourself from flying debris or falling objects.**
2. **Wear ear protection such as ear muffs to prevent hearing loss.**
3. **Wear proper clothing and shoes for safe operation, such as a work overall and sturdy, non-slip shoes. Do not wear loose clothing or jewelry.** Loose clothes, jewelry or long hair can be caught in moving parts.

4. When handling the saw chain or adjusting the chain tension, wear protective gloves. Saw chain can cut bare hands severely.

Work area safety

1. Keep the tool at least 15 m away from electric lines and communication cables (including any branches contacting them). Touching or approaching high-voltage lines with the tool can result in death or serious injury. Watch power lines and electrical fences around the work area before starting operation.
2. Operate the tool under good visibility and daylight conditions only. Do not operate the tool in darkness or fog.
3. During operation, never stand on an unstable or slippery surface or a steep slope. During the cold season, beware of ice and snow and always ensure secure footing.
4. During operation, keep bystanders or animals at least 15 m away from the tool. Stop the tool as soon as someone approaches.
5. When working with two or more people, keep a distance of at least 15 m or more between each other, and put a supervisor.
6. Before operation, examine the work area for wire fences, walls, or other solid objects. They can damage the saw chain.

Preparation

1. Before assembling or adjusting the tool, switch off the tool and remove the battery cartridge.
2. Before handling the saw chain or adjusting the chain tension, wear protective gloves.
3. Before starting the tool, inspect the tool for damages, loose screws/nuts or improper assembly. Sharpen blunt saw chain. If the saw chain is bent or damaged, replace it. Check all control levers and switches for easy action. Clean and dry the grips.
4. Never attempt to start the tool if the tool is damaged or not fully assembled. Otherwise serious injury may result.
5. Adjust the shoulder harness to suit the operator's body size.
6. Adjust the chain tension properly. Refill the chain oil, if necessary.

Starting the tool

1. Wear the personal protective equipments before starting the tool.
2. Before starting the tool, make sure that there is no person or animal in the work area.
3. When installing the battery cartridge, keep the saw chain and guide bar clear of your body and other object, including the ground. The saw chain may move when starting and may cause serious injury or damage to the saw chain and/or property.
4. Place the tool on firm ground. Maintain good balance and secure footing.

Operation

1. In the event of an emergency, switch off the tool immediately.
2. If you notice any unusual condition (e.g. noise, vibration) during operation, switch off the tool. Do not use the tool until the cause is recognized and solved.
3. The saw chain continues to move for a short period after switching off the tool. Don't rush to contact the saw chain.
4. During operation, use the shoulder harness. Keep the tool on your right side firmly.
5. Hold the front grip with your left hand and the rear grip with your right hand, no matter you are right-hander or left-hander. Wrap your fingers and thumbs around the grips.
6. Hold the tool by insulated gripping surfaces only, because the saw chain may contact hidden wiring. A saw chain contacting a "live" wire may make exposed metal parts of the extended-reach pruner "live" and could give the operator an electric shock.
7. Never attempt to operate the tool with one hand. Loss of control may result in serious or fatal injury. To reduce the risk of injury, keep your hands and feet away from the saw chain.
8. Do not overreach. Keep proper footing and balance at all times. Watch for hidden obstacles such as tree stumps, roots and ditches to avoid stumbling. Clear fallen branches and other objects away.
9. Never work on a ladder or tree to avoid loss of control.
10. If the tool gets heavy impact or fall, check the condition before continuing work. If there is any damage or doubt, ask Makita authorized service center for the inspection and repair.
11. Do not touch the head of the tool. The head of the tool becomes hot during operation.
12. Take a rest to prevent loss of control caused by fatigue. We recommend to take a 10 to 20-minute rest every hour.
13. When you leave the tool, even if it is a short time, always switch off the tool and remove the battery cartridge. The running and unattended tool may be used by unauthorized person and cause serious accident.
14. When operating the tool, do not raise your right hand above your shoulder height.
15. During operation, never hit the saw chain against hard obstacles such as stones and nails. Take particular care when cutting branches next to walls, wire fences or the like.
16. If branches get caught in the tool, always stop the tool and remove the battery cartridge. Otherwise unintentional start may cause serious injury.
17. If the saw chain becomes clogged, always switch off the tool and remove the battery cartridge before cleaning.
18. Accelerating the tool with the saw chain blocked increases the load and will damage the tool.

19. Before cutting limbs, keep an escape area away from the falling limb. First, clear obstructs such as limbs and branches from the work area. Move all tools and goods from the escape area to another safe place.
20. Before cutting branches and limbs, check the falling direction of them, considering the condition of branches and limbs, adjoining trees, wind direction, etc. Pay full attention to the falling direction, and the rebound of the branch, which hit the ground.
21. Never hold the tool at an angle of more than 60°. Otherwise falling objects can hit the operator and cause serious injury. Never stand underneath the limb being cut.
22. Pay attention to broken or bent branches. They may bounce back in cutting, causing unexpected injury.
23. Before cutting limbs that you intend to cut, remove branches and leaves around them. Otherwise the saw chain may be caught by them.
24. To prevent the saw chain from being caught in the kerf, do not release the lever before pulling the saw chain out of the kerf.
25. If the saw chain is bound in the kerf, immediately stop the tool, carefully move the branch to open the kerf and release the saw chain.
26. Avoid kickback (rotational reactive force towards the operator). To prevent kickback, never use the guide bar nose or perform a penetrating cut. Always beware of the position of the guide bar nose.
27. Check the chain tension frequently. When checking or adjusting the chain tension, switch off the tool and remove the battery cartridge. If the tension is loose, tighten it.
28. When you use the tool on muddy ground, wet slope, or slippery place, pay attention to your footing.
29. Do not submerge the tool into a puddle.
30. Do not leave the tool unattended outdoors in the rain.

Transport

1. Before transporting the tool, switch off the tool and remove the battery cartridge. Always fit the guide bar cover during transportation.
2. When transporting the tool, carry it in a horizontal position by holding the grip.

Maintenance

1. Have your equipment serviced by our authorized service center, always using only genuine replacement parts. Incorrect repair and poor maintenance can shorten the life of the tool and increase the risk of accidents.
2. Before doing any maintenance or repair work or cleaning the tool, always switch off the tool and remove the battery cartridge. Wait until the tool cools down.
3. Always wear protective gloves when handling the saw chain.
4. After each use, tighten all screws and nuts, except for adjustment screws.

5. Keep the saw chain sharp. If the saw chain has become blunt and cutting performance is poor, ask Makita authorized service center to sharpen it or replace it with new one.
6. Do not attempt any maintenance or repair not described in this instruction manual. Ask Makita authorized service center for such work.
7. Always use Makita genuine spare parts and accessories only. Using parts or accessories supplied by a third party may result in the tool breakdown, property damage and/or serious injury.

Storage

1. Before storing the tool, perform full cleaning and maintenance. Fit the guide bar cover. Remove the battery cartridge. Drain the chain oil after the tool cools down.
2. Store the tool in a dry and high or locked location out of reach of children.
3. Do not prop the tool against something, such as a wall. Otherwise it may fall suddenly and cause an injury.
4. When storing the tool, avoid direct sunlight and rain, and store it in a place where it does not get hot or humid.

Electrical and battery safety

1. Do not dispose of the battery(ies) in a fire. The cell may explode. Check with local codes for possible special disposal instructions.
2. Do not open or mutilate the battery(ies). Released electrolyte is corrosive and may cause damage to the eyes or skin. It may be toxic if swallowed.
3. Do not charge battery in rain, or in wet locations.
4. Do not charge the battery outdoors.
5. Do not handle charger, including charger plug, and charger terminals with wet hands.
6. Avoid dangerous environment. Don't use the tool in dump or wet locations or expose it to rain. Water entering the tool will increase the risk of electric shock.
7. Do not replace the battery in the rain.

SAVE THESE INSTRUCTIONS.

⚠WARNING: DO NOT let comfort or familiarity with product (gained from repeated use) replace strict adherence to safety rules for the subject product. MISUSE or failure to follow the safety rules stated in this instruction manual may cause serious personal injury.

Important safety instructions for battery cartridge

1. Before using battery cartridge, read all instructions and cautionary markings on (1) battery charger, (2) battery, and (3) product using battery.
2. Do not disassemble or tamper the battery cartridge. It may result in a fire, excessive heat, or explosion.

3. If operating time has become excessively shorter, stop operating immediately. It may result in a risk of overheating, possible burns and even an explosion.
4. If electrolyte gets into your eyes, rinse them out with clear water and seek medical attention right away. It may result in loss of your eyesight.
5. Do not short the battery cartridge:
 - (1) Do not touch the terminals with any conductive material.
 - (2) Avoid storing battery cartridge in a container with other metal objects such as nails, coins, etc.
 - (3) Do not expose battery cartridge to water or rain.

A battery short can cause a large current flow, overheating, possible burns and even a breakdown.
6. Do not store and use the tool and battery cartridge in locations where the temperature may reach or exceed 50 °C (122 °F).
7. Do not incinerate the battery cartridge even if it is severely damaged or is completely worn out. The battery cartridge can explode in a fire.
8. Do not nail, cut, crush, throw, drop the battery cartridge, or hit against a hard object to the battery cartridge. Such conduct may result in a fire, excessive heat, or explosion.
9. Do not use a damaged battery.
10. The contained lithium-ion batteries are subject to the Dangerous Goods Legislation requirements.

For commercial transports e.g. by third parties, forwarding agents, special requirement on packaging and labeling must be observed.

For preparation of the item being shipped, consulting an expert for hazardous material is required. Please also observe possibly more detailed national regulations.

Tape or mask off open contacts and pack up the battery in such a manner that it cannot move around in the packaging.
11. When disposing the battery cartridge, remove it from the tool and dispose of it in a safe place. Follow your local regulations relating to disposal of battery.
12. Use the batteries only with the products specified by Makita. Installing the batteries to non-compliant products may result in a fire, excessive heat, explosion, or leak of electrolyte.
13. If the tool is not used for a long period of time, the battery must be removed from the tool.
14. During and after use, the battery cartridge may take on heat which can cause burns or low temperature burns. Pay attention to the handling of hot battery cartridges.
15. Do not touch the terminal of the tool immediately after use as it may get hot enough to cause burns.
16. Do not allow chips, dust, or soil stuck into the terminals, holes, and grooves of the battery cartridge. It may cause heating, catching fire, burst and malfunction of the tool or battery cartridge, resulting in burns or personal injury.
17. Unless the tool supports the use near high-voltage electrical power lines, do not use the battery cartridge near a high-voltage electrical power lines. It may result in a malfunction or breakdown of the tool or battery cartridge.
18. Keep the battery away from children.

SAVE THESE INSTRUCTIONS.

⚠ CAUTION: Only use genuine Makita batteries. Use of non-genuine Makita batteries, or batteries that have been altered, may result in the battery bursting causing fires, personal injury and damage. It will also void the Makita warranty for the Makita tool and charger.

Tips for maintaining maximum battery life

1. Charge the battery cartridge before completely discharged. Always stop tool operation and charge the battery cartridge when you notice less tool power.
2. Never recharge a fully charged battery cartridge. Overcharging shortens the battery service life.
3. Charge the battery cartridge with room temperature at 10 °C - 40 °C (50 °F - 104 °F). Let a hot battery cartridge cool down before charging it.
4. When not using the battery cartridge, remove it from the tool or the charger.
5. Charge the battery cartridge if you do not use it for a long period (more than six months).

PARTS DESCRIPTION

► Fig.1

1	Main power lamp	2	Main power switch	3	Hanger
4	Lock-off lever	5	Battery cartridge	6	Switch trigger
7	Rear grip	8	Saw chain	9	Guide bar
10	Oil tank cap	11	Lock ring	12	Retaining nut
13	Chain adjusting screw	14	Guide bar cover	15	Front grip

FUNCTIONAL DESCRIPTION

CAUTION: Always be sure that the tool is switched off and the battery cartridge is removed before adjusting or checking function on the tool.

Installing or removing battery cartridge

CAUTION: Always switch off the tool before installing or removing of the battery cartridge.

CAUTION: Hold the tool and the battery cartridge firmly when installing or removing battery cartridge. Failure to hold the tool and the battery cartridge firmly may cause them to slip off your hands and result in damage to the tool and battery cartridge and a personal injury.

► **Fig.2:** 1. Red indicator 2. Button 3. Battery cartridge

To remove the battery cartridge, slide it from the tool while sliding the button on the front of the cartridge.

To install the battery cartridge, align the tongue on the battery cartridge with the groove in the housing and slip it into place. Insert it all the way until it locks in place with a little click. If you can see the red indicator as shown in the figure, it is not locked completely.



















CAUTION: Always install the battery cartridge fully until the red indicator cannot be seen. If not, it may accidentally fall out of the tool, causing injury to you or someone around you.

CAUTION: Do not install the battery cartridge forcibly. If the cartridge does not slide in easily, it is not being inserted correctly.

Indicating the remaining battery capacity

Press the check button on the battery cartridge to indicate the remaining battery capacity. The indicator lamps light up for a few seconds.

► **Fig.3:** 1. Indicator lamps 2. Check button

Indicator lamps			Remaining capacity
 Lighted	 Off	 Blinking	
			75% to 100%
			50% to 75%
			25% to 50%
			0% to 25%
			Charge the battery.
			The battery may have malfunctioned.
			

NOTE: Depending on the conditions of use and the ambient temperature, the indication may differ slightly from the actual capacity.

NOTE: The first (far left) indicator lamp will blink when the battery protection system works.

Tool / battery protection system

The tool is equipped with a tool/battery protection system. This system automatically cuts off power to the motor to extend tool and battery life. The tool will automatically stop during operation if the tool or battery is placed under one of the following conditions:

Overload protection

When the battery is operated in a manner that causes it to draw an abnormally high current, the tool automatically stops and the main power lamp blinks in green. In this situation, turn the tool off and stop the application that caused the tool to become overloaded. Then turn the tool on to restart.

Overheat protection

When the tool or battery is overheated, the tool stops automatically and the main power lamp lights up in red. In this case, let the tool and battery cool before turning the tool on again.

NOTE: In high temperature environment, the overheat protection likely to work and the tool stops automatically.

Overdischarge protection

When the battery capacity is not enough, the tool stops automatically and the main power lamp blinks in red. In this case, remove the battery from the tool and charge the battery.

Protections against other causes

Protection system is also designed for other causes that could damage the tool and allows the tool to stop automatically. Take all the following steps to clear the causes, when the tool has been brought to a temporary halt or stop in operation.

1. Turn the tool off, and then turn it on again to restart.
2. Charge the battery(ies) or replace it/them with recharged battery(ies).
3. Let the machine and battery(ies) cool down.

If no improvement can be found by restoring protection systems, then contact your local Makita Service Center.

Main power switch

⚠ WARNING: Always turn off the main power switch when not in use.

To turn on the tool, press the main power switch. To turn off, press the main power switch again.

► Fig.4: 1. Main power lamp 2. Main power switch

NOTE: The main power lamp blinks in green when you turn on the main power switch while holding down the lock-off lever and pulling the switch trigger. In this case, release the switch trigger and the lock-off lever, and then turn on the main power switch.

NOTE: This tool employs the auto power-off function. To avoid unintentional start up, the main power switch will automatically shut down when the switch trigger is not pulled for a certain period after the main power switch is turned on.

Switch action

⚠ WARNING: For your safety, this tool is equipped with lock-off lever which prevents the tool from unintended starting. NEVER use the tool if it runs when you simply pull the switch trigger without pressing the lock-off lever. Return the tool to our authorized service center for proper repairs BEFORE further usage.

⚠ WARNING: NEVER tape down or defeat purpose and function of lock-off lever.

⚠ CAUTION: Before installing the battery cartridge into the tool, always check to see that the switch trigger actuates properly and returns to the "OFF" position when released.

NOTICE: Do not pull the switch trigger hard without pressing the lock-off lever. This can cause switch breakage.

To prevent the switch trigger from being accidentally pulled, a lock-off lever is provided. To start the tool, depress the lock-off lever and pull the switch trigger. The tool speed increases by increasing pressure on the switch trigger. Release the switch trigger to stop.

► Fig.5: 1. Switch trigger 2. Lock-off lever

Adjusting the pipe length

To extend or shorten the pipe, loosen the lock ring by turning the lock ring counterclockwise, then adjust the length of the pipe, and then tighten the ring by turning the lock ring clockwise.

► Fig.6: 1. Lock ring 2. Pipe

ASSEMBLY

⚠ CAUTION: Always be sure that the tool is switched off and the battery cartridge is removed before carrying out any work on the tool.

⚠ CAUTION: Do not touch the saw chain with bare hands. Always wear gloves when handling the saw chain.

Assembling the tool

1. Remove 2 caps from the pipe, and 1 cap from the head of the tool.

► Fig.7: 1. Cap 2. Pipe 3. Head of tool

2. Loosen 3 bolts, and then remove 1 bolt using the hex wrench.

► Fig.8: 1. Bolt

3. Insert the pipe into the tool body all the way, and then align the hole on the pipe with the hole on the tool body.

► Fig.9: 1. Hole 2. Pipe

4. Tighten 3 bolts using the hex wrench.

► Fig.10: 1. Bolt

5. Loosen 2 bolts, and then remove 1 bolt.

► Fig.11: 1. Bolt

6. Loosen the lock ring by turning the lock ring counterclockwise, then extend the pipe approximately 10 cm or more, and then tighten the lock ring by turning the lock ring clockwise.

► Fig.12: 1. Lock ring 2. 10 cm or more 3. Pipe

7. Insert the pipe into the head of the tool all the way, and then align the hole on the pipe with the hole on the head of the tool.

► Fig.13: 1. Hole 2. Pipe

8. Tighten 2 bolts using the hex wrench.

► Fig.14: 1. Bolt

Installing or removing saw chain

⚠ CAUTION: The saw chain and the guide bar are still hot just after the operation. Let them cool down enough before carrying out any work on the tool.

⚠ CAUTION: Carry out the procedure of installing or removing saw chain in a clean place free from sawdust and the like.

Installing the saw chain

To install the saw chain, perform the following steps:

1. Loosen the chain adjusting screw, then the retaining nut.

► **Fig.15:** 1. Retaining nut 2. Chain adjusting screw
3. Sprocket cover

2. Remove the sprocket cover.

3. Check the direction of the saw chain. Match the direction of the saw chain with that of the mark on the tool body.

► **Fig.16:** 1. Mark on chain saw body

4. Fit one end of the saw chain on the top of the guide bar. Fit the other end of the saw chain around the sprocket. Make sure that the saw chain is properly fitted on the sprocket and properly fitted in the groove of the guide bar.

5. Attach the guide bar to the tool body, aligning the hole on the guide bar with the pin on the tool body.

► **Fig.17:** 1. Hole 2. Sprocket

6. Insert the protrusion on the sprocket cover to the tool body, and then close the cover so that the bolt and pin on the tool body meet their counterparts on the cover.

► **Fig.18:** 1. Sprocket cover 2. Protrusion 3. Bolt
4. Pin

7. Tighten the retaining nut to secure the sprocket cover, then loosen it a bit for tension adjustment.

► **Fig.19:** 1. Retaining nut

After installing the saw chain, adjust the saw chain tension by referring to the section for adjusting saw chain tension.

Removing the saw chain

To remove the saw chain, perform the following steps:

1. Loosen the chain adjusting screw, then the retaining nut.

► **Fig.20:** 1. Retaining nut 2. Chain adjusting screw

2. Remove the sprocket cover, and then remove the saw chain and guide bar from the tool body.

Adjusting saw chain tension

⚠ CAUTION: Do not tighten the saw chain too much. Excessively high tension of saw chain may cause breakage of saw chain and wear of the guide bar.

⚠ CAUTION: A chain which is too loose can jump off the bar and it may cause an injury accident.

The saw chain may become loose after many hours of use. From time to time check the saw chain tension before use.

1. Loosen the retaining nut a bit to loosen the sprocket cover lightly.

► **Fig.21:** 1. Retaining nut

2. Lift up the guide bar tip slightly and adjust the chain tension. Turn the chain adjusting screw counterclockwise to tighten, turn it clockwise to loosen.

Tighten the saw chain until the lower side of the saw chain fits in the guide bar rail as illustrated.

► **Fig.22:** 1. Guide bar 2. Saw chain 3. Chain adjusting screw

3. Keep holding the guide bar lightly and attach the sprocket cover.

Make sure that the saw chain does not loose at the lower side.

4. Tighten the retaining nut to secure the sprocket cover.

► **Fig.23:** 1. Retaining nut

OPERATION

Lubrication

NOTICE: When filling the chain oil for the first time, or refilling the tank after it has been completely emptied, add oil up to the bottom edge of the filler neck. The oil delivery may otherwise be impaired.

NOTICE: Use the saw chain oil exclusively for Makita chain saws or equivalent oil available in the market.

NOTICE: Never use oil including dust and particles or volatile oil.

NOTICE: When pruning trees, use botanical oil. Mineral oil may harm trees.

NOTICE: Before the cutting operation, make sure that the oil tank cap is tightened securely.

Saw chain is automatically lubricated when the tool is in operation. Check the amount of remaining oil in the oil tank periodically.

► **Fig.24:** 1. Oil tank

To refill the tank, place the tool on a flat surface, then push the button on the oil tank cap so that the button on the other side stands up, and then remove the oil tank cap by turning it.

The proper amount of oil is 160 ml. After refilling the tank, make sure that the oil tank cap is tightened securely.

► **Fig.25:** 1. Oil tank cap 2. Tighten 3. Loosen

NOTE: If it is difficult to remove the oil tank cap, insert the box wrench into the slot of the oil tank cap, and then remove the oil tank cap by turning it counterclockwise.

► **Fig.26:** 1. Slot 2. Box wrench

After refilling, hold the tool away from the tree. Start it and wait until lubrication on saw chain is adequate.

► **Fig.27**

Attaching the shoulder harness

CAUTION: When you use the tool in combination of the backpack-type power supply such as portable power pack, do not use the shoulder harness included in the tool package, but use the hanging band recommended by Makita.

If you put on the shoulder harness included in the tool package and the shoulder harness of the backpack-type power supply at the same time, removing the tool or backpack-type power supply is difficult in case of an emergency, and it may cause an accident or injury. For the recommended hanging band, ask Makita Authorized Service Centers.

CAUTION: Always use the shoulder harness attached to the tool. Before operation, adjust the shoulder harness according to the user size to prevent fatigue.

CAUTION: Before operation, make sure that the shoulder harness is properly attached to the hanger on the tool.

CAUTION: Before operation, make sure that the buckle of the shoulder harness is fastened firmly.

CAUTION: Always use the shoulder harness dedicated to this tool. Do not use other shoulder harnesses.

1. Put on the shoulder harness and fasten the buckle.

► **Fig.28:** 1. Buckle

NOTE: When removing the shoulder harness, unlock the buckle and remove the shoulder harness.

2. Adjust the shoulder harness to a comfortable working position.

► **Fig.29**

3. Clasp the hook on the shoulder harness to tool's hanger.

► **Fig.30:** 1. Hook 2. Hanger

The shoulder harness features a means of quick release. Simply squeeze the sides of the buckle to release the shoulder harness.

► **Fig.31:** 1. Buckle

Working with the tool

CAUTION: Keep all parts of the body away from the saw chain when the motor is operating.

CAUTION: Hold the tool firmly with both hands when the motor is running.

CAUTION: Do not overreach. Keep proper footing and balance at all times.

CAUTION: When cutting through branches, be careful not to lose your balance due to the weight of the tool head.

CAUTION: Always keep escape route in case a cut branch falls towards the operator.

CAUTION: Never use the tip of the guide bar for cutting. Otherwise, dangerous kickback may occur, and it may result in personal injury.

NOTICE: Never toss or drop the tool.

NOTICE: Do not cover the vents of the tool.

NOTICE: Do not force the tool. Otherwise, it may damage the tool.

Stand on a stable surface, and hold the tool away from the branches so that the angle of the tool becomes 60° or less against the horizontal ground.

► **Fig.32:** 1. 60° or less

Start the tool, and then press the saw chain onto the branch lightly.

When cutting long branches, in order to control the drop position of cut branches, divide the branch in sections and cut the branch from the tip. Pay attention to the falling branches since they may bounce in the direction of the operator after hitting the ground.

► **Fig.33**

When cutting thick branches, first make a shallow undercut and then make the finish cut from the top.

► **Fig.34**

If you try to cut off thick branches from the bottom, the branch may close in and pinch the saw chain in the cut. If you try to cut off thick branches from the top without a shallow undercut, the branch may splinter.

► **Fig.35**

Carrying tool

Before carrying the tool, always remove the battery cartridge from the tool, then attach the guide bar cover, and then shorten the pipe. Also, cover the battery cartridge with the battery cover.

► **Fig.36:** 1. Guide bar cover 2. Battery cover

Using the tool with portable power pack

Optional accessory

Use the hanging band when you use the tool with portable power pack.

Attaching the hanging band

1. Attach the hooks of the hanging band to the rings of the shoulder harness or waist belt as shown in the figure. Select the type of band and the connecting method appropriate for your usage.

► **Fig.37:** 1. Ring 2. Hook

► **Fig.38:** 1. Ring 2. Hook

2. Attach the hook to the tool.

► **Fig.39:** 1. Hook

Detaching the tool

When setting down the tool, unlock the buckle on the hanging band with one hand while holding the tool with the other hand.

► **Fig.40:** 1. Buckle

NOTE: The buckle is not equipped depending on the type of band.

If you need to release the tool quickly, follow the steps below.

1. Push the levers on the buckle of the waist belt to unlock the buckle.

► **Fig.41:** 1. Buckle 2. Lever

2. Take off the shoulder harness to release the tool and the unit.

► **Fig.42:** 1. Shoulder harness

MAINTENANCE

CAUTION: Always be sure that the tool is switched off and the battery cartridge is removed before attempting to perform inspection or maintenance.

CAUTION: Always wear gloves when performing any inspection or maintenance.

NOTICE: Never use gasoline, benzine, thinner, alcohol or the like. Discoloration, deformation or cracks may result.

To maintain product SAFETY and RELIABILITY, repairs, any other maintenance or adjustment should be performed by Makita Authorized or Factory Service Centers, always using Makita replacement parts.

Sharpening the saw chain

Sharpen the saw chain when:

- Mealy sawdust is produced when damp wood is cut;
- The chain penetrates the wood with difficulty, even when heavy pressure is applied;
- The cutting edge is obviously damaged;
- The saw pulls to the left or right in the wood. (caused by uneven sharpening of the saw chain or damage to one side only)

Sharpen the saw chain frequently but a little each time. Two or three strokes with a file are usually sufficient for routine resharpener. When the saw chain has been resharpened several times, have it sharpened in our authorized service center.

Sharpening criteria:

WARNING: An excessive distance between the cutting edge and depth gauge increases the risk of kickback.

► **Fig.43:** 1. Cutter length 2. Distance between cutting edge and depth gauge 3. Minimum cutter length (3 mm)

- All cutter length must be equal. Different cutter lengths prevent the saw chain from running smoothly and may cause the saw chain to break.
- Do not sharpen the chain when the cutter length has reached 3 mm or shorter. The chain must be replaced with new one.
- The chip thickness is determined by the distance between the depth gauge (round nose) and the cutting edge.
- The best cutting results are obtained with following distance between cutting edge and depth gauge.
 - Chain blade 90PX : 0.65 mm
 - Chain blade 91PX : 0.65 mm

► **Fig.44**

- The sharpening angle of 30° must be the same on all cutters. Different cutter angles cause the chain to run roughly and unevenly, accelerate wear, and lead to chain breaks.
- Use a suitable round file so that the proper sharpening angle is kept against the teeth.
 - Chain blade 90PX : 55°
 - Chain blade 91PX : 55°

File and file guiding

- Use a special round file (optional accessory) for saw chains to sharpen the chain. Normal round files are not suitable.
- Diameter of the round file for each saw chain is as follows:
 - Chain blade 90PX : 4.5 mm
 - Chain blade 91PX : 4.0 mm
- The file should only engage the cutter on the forward stroke. Lift the file off the cutter on the return stroke.
- Sharpen the shortest cutter first. Then the length of this shortest cutter becomes the standard for all other cutters on the saw chain.

— Guide the file as shown in the figure.

► **Fig.45:** 1. File 2. Saw chain

— The file can be guided more easily if a file holder (optional accessory) is employed. The file holder has markings for the correct sharpening angle of 30° (align the markings parallel to the saw chain) and limits the depth of penetration (to 4/5 of the file diameter).

► **Fig.46:** 1. File holder

— After sharpening the chain, check the height of the depth gauge using the chain gauge tool (optional accessory).

► **Fig.47**

— Remove any projecting material, however small, with a special flat file (optional accessory).

— Round off the front of the depth gauge again.

Cleaning the guide bar

Chips and sawdust will build up in the guide bar groove. They may clog the bar groove and impair the oil flow. Clean out the chips and sawdust every time when you sharpen or replace the saw chain.

► **Fig.48**

Cleaning the sprocket cover

Chips and saw dust will accumulate inside of the sprocket cover. Remove the sprocket cover and saw chain from the tool then clean the chips and saw dust.

► **Fig.49**

Cleaning the oil discharge hole

Small dust or particles may be built up in the oil discharge hole during operation. These dust or particles may impair the oil to flow and cause an insufficient lubrication on the whole saw chain. When a poor chain oil delivery occurs at the top of guide bar, clean the oil discharge hole as follows.

1. Remove the sprocket cover and saw chain from the tool.
2. Remove the small dust or particles using a slotted screwdriver or the like.

► **Fig.50:** 1. Slotted screwdriver 2. Oil discharge hole

3. Insert the battery cartridge into the tool. Pull the switch trigger to flow built-up dust or particles off the oil discharge hole by discharging chain oil.

4. Remove the battery cartridge from the tool. Reinstall the sprocket cover and saw chain on the tool.

Replacing the sprocket

⚠ CAUTION: A worn sprocket will damage a new saw chain. Have the sprocket replaced in this case.

Before fitting a new saw chain, check the condition of the sprocket. If the sprocket is worn or damaged, ask Makita Authorized Service Centers for replacement.

► **Fig.51:** 1. Sprocket 2. Areas to be worn out

Storing the tool

1. Clean the tool before storing. Remove any chips and sawdust from the tool after removing the sprocket cover.
2. After cleaning the tool, run it under no load to lubricate the saw chain and guide bar.
3. Cover the guide bar with the guide bar cover, and then shorten the pipe.
4. Empty the oil tank.

Instructions for periodic maintenance

To ensure long life, prevent damage and ensure the full functioning of the safety features, the following maintenance must be performed regularly. Warranty claims can be recognized only if this work is performed regularly and properly. Failure to perform the prescribed maintenance work can lead to accidents! The user of the tool must not perform maintenance work which is not described in the instruction manual. All such work must be carried out by our authorized service center.

Check item / Operating time		Before operation	Everyday	Every week	Every 3 month	Annually	Before storage
Entire tool	Inspection.	✓	-	-	-	-	-
	Cleaning.	-	✓	-	-	-	-
	Check at authorized service center.	-	-	-	-	✓	✓
Saw chain	Inspection.	✓	-	-	-	-	-
	Sharpening if necessary.	-	-	-	-	-	✓
Guide bar	Inspection.	✓	✓	-	-	-	-
	Remove from the tool.	-	-	-	-	-	✓
Chain lubrication	Check the oil feed rate.	✓	-	-	-	-	-
Switch trigger	Inspection.	✓	-	-	-	-	-
Lock-off lever	Inspection.	✓	-	-	-	-	-
Oil tank cap	Check tightness.	✓	-	-	-	-	-
Screws and nuts	Inspection.	-	-	✓	-	-	-

TROUBLESHOOTING

Before asking for repairs, conduct your own inspection first. If you find a problem that is not explained in the manual, do not attempt to dismantle the tool. Instead, ask Makita Authorized Service Centers, always using Makita replacement parts for repairs.

Malfunction status	Cause	Action
The tool does not start.	Battery cartridge is not installed.	Install a charged battery cartridge.
	Battery problem (low voltage).	Recharge the battery cartridge. If recharging is not effective, replace the battery cartridge.
	Main power switch is off.	The tool is automatically turned off if it is un-operated for a certain period. Turn on the main power switch again.
The motor stops running after a little use.	Battery's charge level is low.	Recharge the battery cartridge. If recharging is not effective, replace the battery cartridge.
No oil on the chain.	Oil tank is empty.	Fill the oil tank.
	Oil guide groove is dirty.	Clean the groove.
The tool does not reach maximum RPM.	Battery cartridge is installed improperly.	Install the battery cartridge as described in this manual.
	Battery power is dropping.	Recharge the battery cartridge. If recharging is not effective, replace the battery cartridge.
	The drive system does not work correctly.	Ask the authorized service center in your region for repair.
The main power lamp is blinking in green.	Switch trigger is pulled under an unoperable condition.	Pull the switch trigger after the main power switch is turned on.
Abnormal vibration: Stop the tool immediately!	Loose guide bar or saw chain.	Adjust the guide bar and saw chain tension.
	Tool malfunction.	Ask the authorized service center in your region for repair.
The saw chain cannot be installed.	The combination of saw chain and sprocket is not correct.	Use the correct combination of saw chain and sprocket by referring to the section for specifications.

OPTIONAL ACCESSORIES

⚠ CAUTION: These accessories or attachments are recommended for use with your Makita tool specified in this manual. The use of any other accessories or attachments might present a risk of injury to persons. Only use accessory or attachment for its stated purpose.

If you need any assistance for more details regarding these accessories, ask your local Makita Service Center.

- Saw chain
- Guide bar
- Guide bar cover
- File
- Makita genuine battery and charger

⚠ WARNING: If you purchase a guide bar of different length from the standard guide bar, also purchase a suitable guide bar cover together. It must fit and fully cover the guide bar on the tool.

NOTE: Some items in the list may be included in the tool package as standard accessories. They may differ from country to country.

规格

型号:	UA004G	
总长度 (无导板和电池)	2,516 - 3,748 mm	
额定电压	D.C. 36 V - 40 V (最大)	
净重	*1	7.8 kg
	*2	7.8 - 8.5 kg
标准导板长度	300 mm	
建议导板长度	带90PX	250 - 300 mm
	带91PX	250 - 300 mm
适用锯链类型 (参阅下表)	90PX 91PX	
标准链轮	齿数	6
	齿距	3/8"
链锯速度	0 - 20 m/s (0 - 1,200 m/min)	
链条油箱容量	160 cm ³	
防护等级	IPX4	

- 生产者保留变更规格不另行通知之权利。
- 规格可能因销往国家之不同而异。

*1: 重量 (含最大电池组和空油箱, 无导板、链条和肩带) 符合EN ISO11680-1标准。

*2: 根据EPTA-Procedure 01/2014标准, 最轻和最重的组合。重量因附件 (包括电池组) 而异。

适用电池组和充电器

电池组	BL4020 / BL4025 / BL4040* / BL4050F* *: 建议使用的电池
充电器	DC40RA / DC40RB / DC40RC

- 部分以上所列电池组和充电器是否适用视用户所在地区而异。

⚠警告: 请仅使用以上所列电池组和充电器。使用其他类型的电池组或充电器可能会导致人身伤害和/或失火。

推荐的用电源线连接的电源

便携电源装置	PDC01 / PDC1200
--------	-----------------

- 以上所列的用电源线连接的电源是否适用取决于用户所在地区。
- 在使用用电源线连接的电源之前, 请先阅读使用说明和了解相关警示标识。

锯链、导板和链轮组合

锯链类型		90PX
驱动链节数		46
导板	导板长度	300 mm
	切割长度	296 mm
	齿距	3/8"
	测量标尺	1.1 mm
	类型	链轮头导板
链轮	齿数	6
	齿距	3/8"

锯链类型		91PX
驱动链节数		46
导板	导板长度	300 mm
	切割长度	296 mm
	齿距	3/8"
	测量标尺	1.3 mm
	类型	链轮头导板
链轮	齿数	6
	齿距	3/8"

警告： 请使用正确的导板和锯链组合。否则可能会导致人身伤害。

符号

以下显示本设备可能会使用的符号。在使用工具之前，请务必理解其含义。

	阅读使用说明书。
	佩戴头盔、护目镜和耳罩。
	佩戴防护手套。
	穿戴具有防滑底的结实靴。 建议穿戴铁头安全靴。
	小心电线，避免触电。
	保持最少15 m的距离。
	最大允许切割长度
	链条移动方向
	链条油箱
	灼热表面 - 烫伤手指或手部。



仅限于欧盟国家
由于本设备中包含有害成分，因此废弃的电气和电子设备、蓄电池和普通电池可能会对环境和人体健康产生负面影响。请勿将电气和电子工具或电池与家庭普通废弃物放在一起处置！

根据欧洲关于废弃电气电子设备、蓄电池和普通电池的指令及其国家层面的修订法案，废弃的电气设备、普通电池和蓄电池应当单独存放并递送至城市垃圾收集点，根据环保法规进行处置。

此规定由标有叉形标志的带轮垃圾桶符号表示。



保证声功率级别符合欧盟室外噪音指令。



声功率级别符合澳大利亚NSW噪音控制规定

用途

本工具用于修剪树叉和树枝。

安全警告

电动工具通用安全警告

警告： 阅读随电动工具提供的所有安全警告、说明、图示和规定。不遵照以下所列说明会导致电击、着火和 / 或严重伤害。

保存所有警告和说明书以备查阅。

警告中的术语“电动工具”是指市电驱动（有线）电动工具或电池驱动（无线）电动工具。

工作场地的安全

1. 保持工作场地清洁和明亮。杂乱和黑暗的场地会引发事故。
2. 不要在易爆环境，如有易燃液体、气体或粉尘的环境下操作电动工具。电动工具产生的火花会点燃粉尘或气体。
3. 操作电动工具时，远离儿童和旁观者。注意力不集中会使你失去对工具的控制。

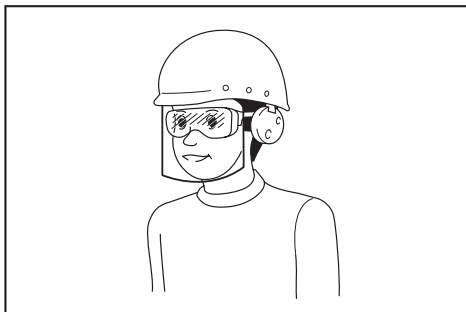
电气安全

1. 电动工具插头必须与插座相配。绝不能以任何方式改装插头。需接地的电动工具不能使用任何转换插头。未经改装的插头和相配的插座将降低电击风险。
2. 避免人体接触接地表面，如管道、散热片和冰箱。如果你身体接触接地表面会增加电击风险。
3. 不得将电动工具暴露在雨中或潮湿环境中。水进入电动工具将增加电击风险。
4. 不得滥用软线。绝不能用软线搬运、拉动电动工具或拔出其插头。使软线远离热源、油、锐边或运动部件。受损或缠绕的软线会增加电击风险。
5. 当在户外使用电动工具时，使用适合户外使用的延长线。适合户外使用的电线将降低电击风险。
6. 如果无法避免在潮湿环境中操作电动工具，应使用带有剩余电流装置（RCD）保护的电源。RCD的使用可降低电击风险。

7. 电动工具会产生对用户无害的电磁场（EMF）。但是，起搏器和其他类似医疗设备的用户应在操作本电动工具前咨询其设备的制造商和 / 或医生寻求建议。

人身安全

1. 保持警觉，当操作电动工具时关注所从事的操作并保持清醒。当你感到疲倦，或在有药物、酒精或治疗反应时，不要操作电动工具。在操作电动工具时瞬间的疏忽会导致严重人身伤害。
2. 使用个人防护装置。始终佩戴护目镜。防护装置，诸如适当条件下使用防尘面具、防滑安全鞋、安全帽、听力防护等装置能减少人身伤害。
3. 防止意外起动。在连接电源和/或电池包、拿起或搬运工具前确保开关处于关断位置。手指放在开关上搬运工具或开关处于接通时通电会导致危险。
4. 在电动工具接通之前，拿掉所有调节钥匙或扳手。遗留在电动工具旋转零件上的扳手或钥匙会导致人身伤害。
5. 手不要过分伸展。时刻注意立足点和身体平衡。这样能在意外情况下能更好地控制住电动工具。
6. 着装适当。不要穿宽松衣服或佩戴饰品。让你的头发和衣服远离运动部件。宽松衣服、佩饰或长发可能会卷入运动部件。
7. 如果提供了与排屑、集尘设备连接用的装置，要确保其连接完好且使用得当。使用集尘装置可降低尘屑引起的危险。
8. 不要因为频繁使用工具而产生的熟悉感而掉以轻心，忽视工具的安全准则。某个粗心的动作可能在瞬间导致严重的伤害。
9. 使用电动工具时请始终佩戴护目镜以免伤害眼睛。护目镜须符合美国ANSI Z87.1、欧洲EN 166或者澳大利亚 / 新西兰的AS / NZS 1336的规定。在澳大利亚 / 新西兰，法律要求佩戴面罩保护脸部。



雇主有责任监督工具操作者和其他近工作区域人员佩戴合适的安全防护设备。

电动工具使用和注意事项

1. 不要勉强使用电动工具，根据用途使用合适的电动工具。选用合适的按照额定值设计的电动工具会使你工作更有效、更安全。
2. 如果开关不能接通或关断电源，则不能使用该电动工具。不能通过开关来控制电动工具是危险的且必须进行修理。
3. 在进行任何调节、更换附件或贮存电动工具之前，必须从电源上拔掉插头和/或卸下电池包（如可拆卸）。这种防护性的安全措施降低了电动工具意外起动的风险。
4. 将闲置不用的电动工具贮存在儿童所及范围之外，并且不允许不熟悉电动工具和不了解这些说明的人操作电动工具。电动工具在未经培训的使用者手中是危险的。
5. 维护电动工具及其附件。检查运动部件是否调整到位或卡住，检查零件破损情况和影响电动工具运行的其他状况。如有损坏，应在使用前修理好电动工具。许多事故是由维护不良的电动工具引发的。
6. 保持切削刀具锋利和清洁。维护良好地有锋利切削刃的刀具不易卡住而且容易控制。
7. 按照使用说明书，并考虑作业条件和要进行的作业来选择电动工具、附件和工具的刀头等。将电动工具用于那些与其用途不符的操作可能会导致危险情况。
8. 保持手柄和握持表面干燥、清洁，不得沾有油脂。在意外的情况下，湿滑的手柄不能保证握持的安全和对工具的控制。
9. 使用本工具时，请勿佩戴可能会缠绕的布质工作手套。布质工作手套卷入移动部件可能会造成人身伤害。

电池式工具使用和注意事项

1. 仅使用生产者规定的充电器充电。将适用于某种电池包的充电器用到其他电池包时可能会发生着火危险。
2. 仅使用配有专用电池包的电动工具。使用其他电池包可能会产生伤害和着火危险。
3. 当电池包不用时，将它远离其他金属物体，例如回形针、硬币、钥匙、钉子、螺钉或其他小金属物体，以防电池包一端与另一端连接。电池组端部短路可能会引起燃烧或着火。

4. 在滥用条件下，液体可能会从电池组中溅出；应避免接触。如果意外碰到液体，用水冲洗。如果液体碰到了眼睛，还应寻求医疗帮助。从电池中溅出的液体可能会发生腐蚀或燃烧。
5. 不要使用损坏或改装过的电池包或工具。损坏或改装过的电池组可能呈现无法预测的结果，导致着火、爆炸或伤害。
6. 不要将电池包暴露于火或高温中。电池包暴露于火或高于130℃的高温中可能导致爆炸。
7. 遵循所有充电说明。不要在说明书中指定的温度范围之外给电池包或电动工具充电。不正确或在指定的温度范围外充电可能会损坏电池和增加着火的风险。

维修

1. 让专业维修人员使用相同的备件维修电动工具。这将保证所维修的电动工具的安全。
2. 决不能维修损坏的电池包。电池包仅能由生产者或其授权的维修服务商进行维修。
3. 上润滑油及更换附件时请遵循本说明书指示。

充电式可伸缩高枝锯使用安全警告

一般注意事项

1. 启动工具前，请阅读使用说明书，熟悉本工具的操作方法。
2. 切勿将本工具借给缺乏工具操作经验或专业知识的人员。
3. 借出本工具时，请务必附上使用说明书。
4. 儿童或未满18岁的少年不得使用本工具。请将本工具放置于以上人群接触不到的区域。
5. 使用工具时请务必小心谨慎。
6. 切勿在饮酒或服药后以及疲劳或身体不适时使用本工具。
7. 切勿尝试改装工具。
8. 请勿在恶劣天气尤其是雷电天气条件下使用本工具。这可降低雷击风险。
9. 国家法规可能会限制使用本工具。请遵循当地有关使用工具的法规。

个人防护设备

1. 请佩戴安全头盔、护目镜和防护手套，以免受飞溅碎片或掉落物体的伤害。
2. 请佩戴耳罩等护耳设备，以免听力受损。

3. 请穿着合适的衣服和鞋（例如工作服和具有防滑底的结实靴），以确保操作安全。请勿穿着宽松的衣服或佩戴首饰。宽松的衣服、首饰或长头发会被卷入运动部件中。
4. 操作锯链或调节链条张紧度时，请佩戴防护手套。锯链可能会严重割伤裸手。

工作区域安全事项

1. 确保工具与电线及通信电缆（包括与其接触的树枝）保持至少 **15 m** 的距离。工具接触或靠近高压线可能会造成严重的人员伤亡。开始操作前，请检查工作区域的电气线路和带电围栏。
2. 仅可在可视性良好且日光充足的情况下操作本工具。切勿在黑暗或雾霾环境中操作本工具。
3. 操作期间，切勿站在打滑不稳的表面或陡坡上。寒冷季节时，请警惕冰雪并时刻确保立足稳固。
4. 操作期间，请确保旁观者或动物与工具保持至少 **15 m** 的距离。有人接近时，请立即停止工具。
5. 与两名或多名人员一起工作时，请确保彼此保持至少 **15 m** 或以上的距离，并安排一名人员加以监督。
6. 操作前，请检查工作区域是否有铁丝网、墙壁或其他坚硬物体。此类物体会损伤锯链。

准备

1. 组装或调节本工具前，请关闭工具并取下电池组。
2. 操作锯链或调节链条张紧度前，请佩戴防护手套。
3. 启动工具前，请检查工具是否存在损坏、螺丝 / 螺母松动或者组装不当。打磨变钝的锯链。如果锯链弯折或损坏，请更换。请检查并确保所有的控制杆和开关可以正常工作。清洁并擦干把手。
4. 如果工具有损坏或未安装完整，切勿尝试启动工具。否则可能会导致严重的人身伤害。
5. 请根据操作者的身材合理调节肩带。
6. 适当调节链条的张紧度。必要时，重新加注链条油。

启动工具

1. 启动工具前，请佩戴个人防护装备。
2. 启动工具前，确保工作区域内无其他人员或动物。

3. 安装电池组时，请确保锯链和导板远离身体或其它物体，包括地面。启动时锯链可能会移动，从而造成严重的人身伤害，或锯链和 / 或财产损失。
4. 将工具置于坚实的表面上。保持平衡并站稳。

操作

1. 出现紧急事件时，请立刻关闭本工具。
2. 如果在操作期间发觉有任何异常（例如噪声、振动），请关闭工具。在找出原因并解决问题之前，请勿使用本工具。
3. 关闭工具后锯链仍会在短时间内继续移动。切勿急于接触锯链。
4. 操作期间，请使用肩带。使工具牢固位于身体右侧。
5. 无论您习惯使用左手还是右手，请务必用左手握住前把手，右手握住后把手。五指握住把手。
6. 由于锯链可能会接触到隐藏的电线，因此操作工具时仅可抓握绝缘把手。锯链接触到“带电”的电线时可能使加长的修剪工具上外露的金属部分“带电”，由此导致操作者触电。
7. 切勿尝试单手操作本工具。失控会导致严重或致命伤害。为降低人身伤害风险，请确保手脚远离锯链。
8. 操作时手不要伸得太长。双脚站稳，始终保持平衡。注意观察是否有隐藏的障碍物，例如树桩、树根和沟渠等，以免被绊倒。请清理掉落的树枝等其他物体。
9. 切勿在梯子或树上进行作业，以免失控。
10. 如果工具遭到严重撞击或掉落，请在继续作业前检查工具状态。如果有任何损坏或疑问，请联系 **Makita**（牧田）的授权维修中心进行检查和修复。
11. 请勿触碰工具头。工具头在操作期间会产生高温。
12. 注意休息，以免疲劳操作导致失控。建议每隔1小时休息10到20分钟。
13. 如要离开工具，即使是短时间离开，也请务必关闭工具并拆下电池组。处于运转状态的工具在无人看管时可能会被闲杂人员使用，并导致严重事故。
14. 操作工具时，请勿将右手举过肩膀。
15. 操作期间，切勿使锯链触碰坚硬物体，例如石头或钉子。在靠近墙壁、铁丝网或类似物体附近切割树枝时必须特别谨慎。
16. 若树枝卡入工具内，请务必将工具停止并取出电池组。否则意外启动会造成严重的人身伤害。

17. 若锯链堵塞，请先关闭工具并取下电池组，再进行清洁。
18. 锯链受阻时，增大工具转速将导致负载升高，并使工具受损。
19. 切割树叉之前，请安排好可躲避掉落树叉的区域。首先，清除工作区域内的树叉、树枝等障碍物。将躲避区域内的所有工具和物品移至其他安全区域。
20. 在切割树枝和树叉之前，结合树枝和树叉状态、临近树木、风向等因素确定树枝和树叉的掉落方向。应特别注意树枝的掉落方向，以及树枝撞到地面时反弹的情况。
21. 抓握工具时的角度不得超过60°。否则掉落物可能会击中操作人员，进而造成严重伤害。切勿站立在当前切割的树叉下方。
22. 注意折断或弯曲的树枝。这些树枝在切割时可能会发生反弹，引发意外伤害。
23. 在切割所需树叉前，请移除其周围的树枝和树叶。否则锯链可能会被卡住。
24. 为防止锯链卡入切口内，在将锯链从切口中拉出前，切勿释放杆。
25. 若锯链粘附在切口内，请立即将工具停止，然后小心移动树枝以将切口打开，取出锯链。
26. 避免回弹（朝向操作人员的旋转反作用力）。为防止回弹，切勿使用导板端部或进行穿透切割。始终注意导板端部位置。
27. 经常检查链条张紧度。检查或调节链条张紧度时，请关闭工具并取下电池组。若链条过松，请紧固。
28. 在泥泞地面、潮湿坡道或湿滑的地方使用工具时，请注意立足稳固。
29. 请勿将工具浸入水坑中。
30. 请勿在雨天将工具置于室外无人看管。

运输

1. 运输本工具前，请关闭工具并取下电池组。运输期间应始终安装导板护盖。
2. 运输本工具时，请紧握把手水平携带。

保养

1. 请委托授权维修中心进行维修，并且务必使用原装正品替换部件。修理错误和保养不当会缩短工具的使用寿命并增加事故发生率。
2. 在对本工具进行保养或修理工作或清洁前，请务必关闭工具并拆下电池组。等待工具完全冷却。
3. 处理锯链时，请务必佩戴防护手套。

4. 每次使用后，请紧固所有螺丝和螺母，调节螺丝除外。
5. 保持锯链锋利。如果锯链变钝且切割能力下降，请联系Makita（牧田）授权的维修服务中心进行打磨或换新。
6. 请勿尝试执行本使用说明书中未提及的保养或修理操作。请委托Makita（牧田）授权的维修服务中心执行此类操作。
7. 请仅使用Makita（牧田）原装部件和附件。使用第三方提供的部件或附件可能会导致工具故障、财产损失和/或严重的人身伤害。


存放

1. 存放本工具前，请进行全面清洁和维护。安装导板护盖。取出电池组。待工具冷却后，排出链条油。
2. 请将本工具放置在干燥的高处或加锁位置，避免儿童接触。
3. 请勿将本工具倚靠在墙上或其他物体上。否则可能会摔落并导致人身伤害。
4. 存放工具时，避免直射阳光和淋雨，将其存放在不会变热或变潮的位置。

电气和电池安全

1. 请勿将电池弃于火中。否则会引起电池爆炸。请查阅当地法规了解适当的特殊处理说明。
2. 请勿打开或拆解电池。溢出的电解质具有腐蚀性，可能会对眼睛或皮肤造成损伤。吞服则有致毒危险。
3. 请勿在雨中或潮湿的地方充电。
4. 勿在室外对电池充电。
5. 请勿用湿手操作充电器，包括充电器插头和充电器端子。
6. 避免危险的环境。请勿在潮湿或淋雨的环境下使用工具。工具受潮将增加触电的危险。
7. 请勿在雨中更换电池。

请保留此说明书。

 **警告：** 请勿为图方便或因对产品足够熟悉（由于重复使用而获得的经验）而不严格遵循相关产品安全规则。使用不当或不遵循使用说明书中的安全规则会导致严重的人身伤害。

电池组的重要安全注意事项


1. 在使用电池组之前，请仔细阅读所有的说明以及 (1) 电池充电器，(2) 电池，以及 (3) 使用电池的产品上的警告标记。
2. 切勿拆卸或改装电池组。否则可能引起火灾、过热或爆炸。
3. 如果机器运行时间变得过短，请立即停止使用。否则可能会导致过热、起火甚至爆炸。
4. 如果电解液进入您的眼睛，用清水将其冲洗干净并立即就医。否则可能会导致视力受损。
5. 请勿使电池组短路：
 - (1) 请勿使任何导电材料碰到端子。
 - (2) 避免将电池组与其他金属物品如钉子、硬币等放置在同一容器内。
 - (3) 请勿将电池组置于水中或使其淋雨。电池短路将产生大的电流，导致过热，并可能导致起火甚至击穿。
6. 请勿在温度可能达到或超过50°C (122°F) 的场所存放以及使用工具和电池组。
7. 即使电池组已经严重损坏或完全磨损，也请勿焚烧电池组。电池组会在火中爆炸。
8. 请勿对电池组射钉，或者切削、挤压、抛掷、掉落电池组，又或者用硬物撞击电池组。否则可能引起火灾、过热或爆炸。
9. 请勿使用损坏的电池。
10. 本工具附带的锂离子电池需符合危险品法规要求。

第三方或转运代理等进行商业运输时，应遵循包装和标识方面的特殊要求。有关运输项目的准备作业，咨询危险品方面的专业人士。同时，请遵守可能更为详尽的国家法规。

请使用胶带保护且勿遮掩表面的联络信息，并牢固封装电池，使电池在包装内不可动。
11. 丢弃电池组时，需将其从工具上卸下并在安全地带进行处理。关于如何处理废弃的电池，请遵循当地法规。
12. 仅将电池用于Makita (牧田) 指定的产品。将电池安装至不兼容的产品会导致起火、过热、爆炸或电解液泄漏。
13. 如长时间未使用工具，必须将电池从工具内取出。
14. 使用工具期间以及使用工具之后，电池组温度可能较高易引起灼伤或低温烫伤。处理高温电池组时请小心操作。

15. 在使用工具后请勿立即触碰工具的端子，否则可能引起灼伤。
16. 避免锯屑、灰尘或泥土卡入电池组的端子、孔口和凹槽内。否则可能会导致过热、着火、爆炸和工具/电池组故障，导致烫伤或人身伤害。
17. 除非工具支持在高压电源线路附近使用，否则请勿在高压电源线路附近使用电池组。否则可能导致工具或电池组故障或失常。
18. 确保电池远离儿童。

请保留此说明书。

 **小心：** 请仅使用Makita (牧田) 原装电池。使用非Makita (牧田) 原装电池或经过改装的电池可能会导致电池爆炸，从而造成火灾、人身伤害或物品受损。同时也会导致牧田工具和充电器的牧田保修服务失效。

保持电池最大使用寿命的提示

1. 在电池组电量完全耗尽前及时充电。发现工具电量低时，请停止工具操作，并给电池组充电。
2. 请勿对已充满电的电池组重新充电。过度充电将缩短电池的使用寿命。
3. 请在10°C - 40°C (50°F - 104°F) 的室温条件下给电池组充电。请在灼热的电池组冷却后再充电。
4. 不使用电池组时，请将其从工具或充电器上拆除。
5. 如果电池组长时间 (超过六个月) 未使用，请给其充电。

部件说明

► 图片1

1	主电源指示灯	2	主电源开关	3	吊扣
4	锁定杆	5	电池组	6	开关扳机
7	后把手	8	锯链	9	导板
10	油箱盖	11	锁紧环	12	锁紧螺母
13	链条调节螺丝	14	导板护盖	15	前把手

功能描述

⚠️小心： 调节或检查工具功能之前，请务必关闭工具的电源并取出电池组。

安装或拆卸电池组

⚠️小心： 安装或拆卸电池组之前，请务必关闭工具电源。

⚠️小心： 安装或拆卸电池组时请握紧工具和电池组。否则它们可能从您的手中滑落，导致工具和电池组受损，甚至造成人身伤害。

► 图片2： 1. 红色指示器 2. 按钮 3. 电池组

拆卸电池组时，按下电池组前侧的按钮，同时将电池组从工具中抽出。

安装电池组时，要将电池组上的舌簧与外罩上的凹槽对齐，然后推滑到位。将其完全插入到位，直到锁定并发出咔哒声为止。若能看到图示中的红色指示器，则说明未完全锁紧。

⚠️小心： 务必完全装入电池组，直至看不见红色指示器为止。否则，它可能会从工具中意外脱落，从而造成自身或他人受伤。

⚠️小心： 请勿强行安装电池组。如果电池组难以插入，可能是插入方法不当。

显示电池的剩余电量

按电池组上的CHECK（查看）按钮可显示电池剩余电量。指示灯将亮起数秒。

► 图片3： 1. 指示灯 2. CHECK（查看）按钮

指示灯			剩余电量
■ 点亮	□ 熄灭	▣ 闪烁	
■ ■ ■ ■			75%至100%
■ ■ ■ □			50%至75%
■ ■ □ □			25%至50%
■ □ □ □			0%至25%
▣ □ □ □			给电池充电。
■ ■ □ □			电池可能出现故障。
□ □ ■ ■			

注： 在不同的使用条件及环境温度下，指示灯所示电量可能与实际情况略有不同。

注： 当电池保护系统启动时，第一个（最左侧）指示灯将闪烁。

工具 / 电池保护系统

本工具配备有工具/电池保护系统。该系统可自动切断电机电源以延长工具和电池寿命。作业时，如果工具或电池处于以下情况，工具将会自动停止运转。

过载保护

以导致异常高电流的方式操作电池时，工具会自动停止运转并且主电源指示灯将呈绿色闪烁。在这种情况下，请关闭工具并停止导致工具过载的应用操作。然后开启工具重新启动。

过热保护

工具或电池过热时，工具会自动停止运转并且主电源指示灯将呈红色亮起。在这种情况下，请待工具和电池冷却后再开启工具。

注：在高温环境下，过热保护很可能工作并且工具会自动停止运转。

过放电保护

电池电量不足时，工具会自动停止运转并且主电源指示灯将呈红色闪烁。此时，请取出工具中的电池并予以充电。

其他原因防护

保护系统还适用于其他可能导致工具受损的情况，从而使工具自动停止运转。工具暂时或中途停止工作时，执行以下所有步骤以排除异常原因。

1. 关闭工具，然后再次重新启动。
2. 给电池充电或更换为充电电池。
3. 请等待机器和电池冷却。

如果保护系统恢复后仍无改善，请联络当地的Makita（牧田）维修服务中心。

主电源开关

警告：不使用时，务必关闭主电源开关。

按主电源开关打开工具。要关闭时，请再次按主电源开关。

► **图片4：** 1. 主电源指示灯 2. 主电源开关

注：在按住锁定杆和开关扳机时，若打开主电源开关，主电源指示灯会呈绿色闪烁。此时，请松开开关扳机和锁定杆，然后打开主电源开关。

注：本工具采用自动关机功能。为避免意外启动，在打开主电源开关后的一段时间内如未扣动开关扳机，主电源开关将自动关闭。

开关操作

警告：为了您的安全，本工具配备了锁定杆，可防止工具误启动。如果当您只是扣动开关扳机而没有按下锁定杆时，工具即开始运行，则切勿使用此工具。在进一步使用该工具之前，请将其送至授权的维修中心进行正确的修理。

警告：切勿封住锁定杆或废除其用途和功能。

小心：在将电池组插入工具之前，请务必检查开关扳机是否能扣动自如，松开时能否退回至“OFF”（关闭）位置。

注意：在没有按下锁定杆的情况下，请勿用力扣动开关扳机。这样可能导致开关破损。

为避免使用者不小心扣动开关扳机，本工具采用锁定杆。要启动工具时，按下锁定杆，然后扣动开关扳机即可。随着在开关扳机上施加压力的增大，工具速度会提高。松开开关扳机工具即停止。

► **图片5：** 1. 开关扳机 2. 锁定杆

调整管长

若要拉长或缩短管道，请沿逆时针方向旋转锁紧环以将锁紧环拧松，然后调节管道长度，再沿顺时针方向旋转锁紧环将其拧紧。

► **图片6：** 1. 锁紧环 2. 管道

装配

小心：对工具进行任何装配操作前，请务必关闭工具电源，并取出电池组。

小心：请勿直接用手触摸锯链。处理锯链时，请务必佩戴手套。

组装工具

1. 拆下管道上的2个盖子，再拆下工具头上的1个盖子。

► **图片7：** 1. 盖子 2. 管道 3. 工具头

2. 拧松3个螺栓，然后使用六角扳手拆下1个螺栓。

► **图片8：** 1. 螺栓

3. 将管道完全插入工具主体内，然后将管道上的孔与工具主体上的孔对齐。

▶ **图片9:** 1. 孔 2. 管道

4. 用六角扳手拧紧3个螺栓。

▶ **图片10:** 1. 螺栓

5. 拧松2个螺栓，然后拆下1个螺栓。

▶ **图片11:** 1. 螺栓

6. 沿逆时针方向旋转锁紧环以将锁紧环拧松，然后将管道拉长约10 cm或以上，再沿顺时针方向旋转锁紧环将其拧紧。

▶ **图片12:** 1. 锁紧环 2. 10 cm或以上
3. 管道

7. 将管道完全插入工具头内，然后将管道上的孔与工具头上的孔对齐。

▶ **图片13:** 1. 孔 2. 管道

8. 用六角扳手拧紧2个螺栓。

▶ **图片14:** 1. 螺栓

安装或拆卸锯链

⚠小心: 锯链和导板在操作后仍会较烫。对工具进行任何操作前，请让其充分冷却。

⚠小心: 应在清洁无锯屑或类似的位置进行链条的安装和拆卸。

安装锯链

安装锯链时，请执行以下步骤：

1. 先后拧松链条调节螺丝和锁紧螺母。

▶ **图片15:** 1. 锁紧螺母 2. 链条调节螺丝
3. 链轮护罩

2. 拆下链轮护罩。

3. 检查锯链的方向。使锯链的方向与工具主体上标记的方向吻合。

▶ **图片16:** 1. 链锯上的标记

4. 将锯链的一端安装在导板顶端。另一端安装在链轮上。将锯链正确地安装在链轮上，并确保其正确嵌入导板凹槽内。

5. 在确认导板上的孔与工具主体上的销钉对齐后，将导板安装到工具主体上。

▶ **图片17:** 1. 孔 2. 链轮

6. 将链轮护罩上的凸起部分插入工具主体内，然后关闭护罩，使工具主体上的螺栓和销钉触碰护罩上的对应部分。

▶ **图片18:** 1. 链轮护罩 2. 凸起部分 3. 螺栓 4. 销钉

7. 拧紧锁紧螺母以紧固链轮护罩，然后稍微拧松以调节好张紧度。

▶ **图片19:** 1. 锁紧螺母

安装锯链后，参照调节锯链张紧度的章节调节锯链张紧度。

拆卸锯链

拆卸锯链时，请执行以下步骤：

1. 先后拧松链条调节螺丝和锁紧螺母。

▶ **图片20:** 1. 锁紧螺母 2. 链条调节螺丝

2. 拆下链轮护罩，然后从工具主体上拆下锯链和导板。

调节链条张紧度

⚠小心: 请勿过度张紧链条。过度张紧链条可能会导致锯链破裂和导板磨损。

⚠小心: 链条太松会导致其脱离导板，并可能造成人身伤害。

使用数小时后，链条可能会变松。使用后，请经常检查链条张紧度。

1. 稍微拧松锁紧螺母以稍稍松开链轮护罩。

▶ **图片21:** 1. 锁紧螺母

2. 轻轻提起导板顶端并调节链条张紧度。逆时针旋转链条调节螺丝可将其拧紧，顺时针旋转则可将其拧松。

紧固锯链，直至锯链的下侧如图中所示与导板轨道啮合。

▶ **图片22:** 1. 导板 2. 锯链 3. 链条调节螺丝

3. 轻轻抓住导板，然后安装链轮护罩。

确保下方锯链不会松脱。

4. 拧紧锁紧螺母，以固定链轮护罩。

▶ **图片23:** 1. 锁紧螺母

操作

润滑

注意：第一次注入链条油时或给空油箱重新注油时，请注油量至注油器颈部的底缘。否则，供油系统可能会受损。

注意：请使用Makita（牧田）链锯专用油或同等的市售链条油。

注意：切勿使用含有灰尘和颗粒的润滑油或挥发性油脂。

注意：当修剪树枝时，请使用植物类油脂。使用矿物油可能会损伤树木。

注意：开始切割前，确保附带的油箱盖已拧紧到位。

当工具运行时，会自动润滑锯链。定期检查油箱中的剩余油量。

► **图片24：** 1. 油箱

若要对油箱加油，可将工具置于平整的表面上，然后按下油箱盖上的按钮使另一侧按钮竖起，然后旋转油箱盖将其移除。

适当的油量为160 ml。给油箱加油后，确保牢固拧紧油箱盖。

► **图片25：** 1. 油箱盖 2. 拧紧 3. 拧松

注：若难以移除油箱盖，请将套筒扳手插入油箱盖的插槽内，然后逆时针转动以将油箱盖移除。

► **图片26：** 1. 插槽 2. 套筒扳手

完成加油后，在远离树木的位置握住工具。启动工具并等待锯链充分润滑。

► **图片27**

安装肩带

⚠小心：将工具与便携电源装置等背负式电源组合使用时，请勿使用工具包装中附送的肩带，而应使用Makita（牧田）推荐的悬挂束带。

若同时佩戴工具包装中附送的肩带和背负式电源肩带，遭遇紧急情况时将难以卸下工具或背负式电源，由此可能会发生意外或导致人身伤害。有关推荐的悬挂束带，请咨询Makita（牧田）授权的维修服务中心。

⚠小心：务必使用随工具附带的肩带。操作前，将肩带调整到适合用户的长度以防止疲劳。

⚠小心：操作前，确保肩带被正确安装到工具上的吊扣。

⚠小心：操作前，确保肩带上的带扣已扣紧。

⚠小心：务必使用工具专用的肩带。请勿使用其他肩带。

1. 佩戴肩带并扣紧带扣。

► **图片28：** 1. 带扣

注：移除肩带时，请先解开带扣再移除肩带。

2. 将肩带调整到舒适的工作位置。

► **图片29**

3. 将肩带上的挂钩扣到工具的吊扣上。

► **图片30：** 1. 挂钩 2. 吊扣

用户可快速解开肩带。只需挤压带扣两侧即可松开肩带。

► **图片31：** 1. 带扣

操作工具

⚠️小心：当电机处于运行中时，使身体各部位与链锯保持一定距离。

⚠️小心：当电机运转时，请用双手紧握工具。

⚠️小心：操作时手不要伸得太长。操作时请双脚站稳，始终保持平衡。

⚠️小心：切断树枝时，请注意避免受工具头重量影响而失去平衡。

⚠️小心：为防止切割树枝掉落砸伤操作人员，请提前规划好躲避路线。

⚠️小心：切勿使用导板端部进行切割。否则，会引发危险回弹，导致人身伤害。

注意：切勿投掷或跌落工具。

注意：请勿遮盖工具的通风口。

注意：不要强力按压工具。否则可能会损坏工具。

站立在稳定的表面上并在远离树枝的位置握住工具，确保工具与水平地面之间的角度为60°或以下。

▶ **图片32：** 1. 60°或以下

启动工具，然后将锯链轻轻按压在树枝上。在切割长树枝时，为了控制切割树枝的掉落位置，请将树枝分成几部分，然后从尖端切割树枝。掉落的树枝撞击到地面后可能会朝操作员方向反弹，因此请注意树枝的掉落。

▶ **图片33**

当切割粗实的树枝时，请首先在下部切出较浅的切口，然后从上部完成切割。

▶ **图片34**

如果您试图从下部完全切掉粗实的树枝，在切割进程中树枝可能会夹住并挤压锯链。如果您试图从上部完全切掉粗实的树枝，而未在其下部切出较浅的切口时，则树枝可能会开裂。

▶ **图片35**

搬运工具

在搬运工具前，请先取出工具中的电池组，然后安装导板护盖，再将管道缩短。并用电池盖盖住电池组。

▶ **图片36：** 1. 导板护盖 2. 电池盖

使用带便携电源装置的工具

选购附件

使用带便携电源装置的工具时，请佩戴悬挂束带。

安装悬挂束带

1. 如图中所示，将悬挂束带的挂钩连接到肩带或腰带的挂环上。根据您的应用选择束带类型和连接方法。

▶ **图片37：** 1. 挂环 2. 挂钩

▶ **图片38：** 1. 挂环 2. 挂钩

2. 将挂钩安装至工具。

▶ **图片39：** 1. 挂钩

拆下工具

放下工具时，请用一只手解开悬挂束带上的带扣，另一只手抓住工具。

▶ **图片40：** 1. 带扣

注： 是否配备带扣取决于束带类型。

如需快速释放工具，请按照以下步骤进行操作。

1. 按腰带带扣上的杆解锁带扣。

▶ **图片41：** 1. 带扣 2. 杆

2. 脱去肩带松开工具和装置。

▶ **图片42：** 1. 肩带

保养

⚠️小心：检查或保养工具之前，请务必关闭工具电源并取出电池组。

⚠️小心：进行任何检查和保养操作时，请务必佩戴手套。

注意：切勿使用汽油、苯、稀释剂、酒精或类似物品清洁工具。否则可能会导致工具变色、变形或出现裂缝。

为了保证产品的安全与可靠性，维修、任何其他维修保养或调节需由Makita（牧田）授权的或工厂维修服务中心完成。务必使用Makita（牧田）的替换部件。

打磨链条

出现以下情况时，需要打磨链条：

- 切割潮湿木材会产生粉状锯屑；
- 即便施加较大的力，链条也难以穿透木材；
- 切割边有可见损伤；
- 链锯在木材中左右摆动。（这种状况是由于链条打磨不均匀或仅有一侧受损所致）

经常打磨链条，但每次仅可磨去一小部分材料。通常，用锉刀打磨2至3下就可以了。如果链条已经多次打磨，请将其送至授权的专业维修中心进行打磨。

打磨标准：

警告：切割边和深度规之间的距离过大会增大反弹的风险。

► **图片43：** 1. 锯片长度 2. 切割边和深度规之间的距离 3. 最小锯片长度 (3 mm)

- 所有锯片长度必须相等。锯片长度不等会使链条无法平顺运转，可能会导致链条断裂。
- 当锯片长度为3 mm或以下时，请勿再打磨锯链。必须更换新的锯链。
- 碎片厚度取决于深度规（圆头）和切割边的距离。
- 以下切割边和深度规之间的距离可以获得最佳切割效果。
 - 链条刀片90PX：0.65 mm
 - 链条刀片91PX：0.65 mm

► **图片44**

- 所有锯片的打磨角度必须同为30°。锯片角度不同会导致链条运转不平稳，加速磨损并使链条断裂。
- 使用合适的圆锉刀以保证正确的锯齿打磨角度。
 - 链条刀片90PX：55°
 - 链条刀片91PX：55°

锉刀和锉刀导板

- 使用专用圆锉刀（选购附件）打磨链条。不宜使用普通圆锉刀。
- 各锯链使用的圆锉刀的直径如下：
 - 链条刀片90PX：4.5 mm
 - 链条刀片91PX：4.0 mm
- 锉刀应仅向前单向打磨锯片。向后抽回时勿使锉刀接触锯片。

- 首先打磨最短的锯片。然后最短锯片的长度就是锯链上所有其它锯片的标准长度。

- 按如图所示操作锉刀。

► **图片45：** 1. 锉刀 2. 锯链

- 如果使用锉刀夹（选购附件），则可以更容易地操作锉刀。锉刀夹上标刻有30°的正确打磨角标记（将此标记与链条平行对齐），可限制打磨深度（锉刀直径的4/5）。

► **图片46：** 1. 锉刀夹

- 完成链条打磨后，使用链条量规工具（选购附件）检查深度规的高度。

► **图片47**

- 使用专用平锉刀（选购附件）清除所有突出部分（无论多细小）。
- 再次锉圆深度规前部。

清洁导板

碎屑和锯屑会积聚在导板凹槽中。它们可能会堵塞导板凹槽并妨碍供油。每次打磨或更换链条时，请清除碎屑和锯屑。

► **图片48**

清洁链轮护罩

碎屑和锯屑会积聚在链轮护罩内部。从工具上拆下链轮护罩和锯链，然后清除碎屑和锯屑。

► **图片49**

清洁排油孔

作业期间，细小的锯屑或颗粒可能会堆积在排油孔中。这些锯屑或颗粒可能会妨碍排油并造成整个链条不能充分润滑。当导板上部出现较差的供油情况时，按照以下方式清洁排油孔。

1. 从工具上拆下链轮护罩和链条。
2. 使用一字头螺丝起子或类似工具清除细小锯屑或颗粒。

► **图片50：** 1. 一字头螺丝起子 2. 排油孔

3. 将电池组插入工具。扣动开关扳机通过排出链条油以清除堆积在排油孔上的锯屑和颗粒。

4. 从工具上拆下电池组。重新将链轮护罩和链条安装至工具。

更换链轮

⚠️小心：破损的链轮会损坏新链条。如果链轮损坏，请将其更换。

在装配新的锯链前，请检查链轮状况。如链轮磨损或损坏，请联系Makita（牧田）授权的维修服务中心进行更换。

▶ **图片51：1. 链轮 2. 磨损部分**

存放本工具

1. 存放前，请对工具进行清洁。拆下链轮护罩后，清除工具上所有碎屑和锯屑。
2. 完成工具清洁后，在无负载条件下运行工具以润滑链条和导板。
3. 将导板护盖盖在导板上，然后将管道缩短。
4. 清空油箱。

定期保养指南

为确保较长的使用寿命，防止设备损坏，确保安全功能完全发挥作用，应定期进行以下保养。只有定期进行正确的保养，才能受理保修申请。未按上述规范进行保养将会导致事故发生！本工具用户不得进行使用说明书上未说明的保养工作。所有此类工作必须由授权的维修中心进行。

检查项目 / 操作时间		操作前	每天	每周	每3个月	每年	存放前
工具整体	检查。	✓	-	-	-	-	-
	清洁。	-	✓	-	-	-	-
	交由授权的维修中心检查。	-	-	-	-	✓	✓
锯链	检查。	✓	-	-	-	-	-
	根据需要打磨。	-	-	-	-	-	✓
导板	检查。	✓	✓	-	-	-	-
	从工具上移除。	-	-	-	-	-	✓
链条润滑	检查供油速率。	✓	-	-	-	-	-
开关扳机	检查。	✓	-	-	-	-	-
锁定杆	检查。	✓	-	-	-	-	-
油箱盖	检查张紧度。	✓	-	-	-	-	-
螺丝和螺母	检查。	-	-	✓	-	-	-

故障排除

请求维修前，请首先自行检查。如果您发现本手册中未作说明的问题，请勿拆解工具。而请联络Makita（牧田）授权维修服务中心，务必使用Makita（牧田）的替换部件进行修复。

故障状态	原因	措施
工具无法启动。	未安装电池组。	安装充满电的电池组。
	电池故障（欠压）。	请给电池组充电。如果充电无效，则更换电池组。
	主电源开关关闭。	如果一段时间内无操作，工具会自动关闭。请再次打开主电源开关。
使用一段时间后电机不旋转。	电池电量低。	请给电池组充电。如果充电无效，则更换电池组。
链条无油。	油箱无油。	向油箱注油。
	导油槽变脏。	清洁导油槽。
工具未达到最大转速。	电池组安装不当。	按本手册所述安装电池组。
	电池电力下降。	请给电池组充电。如果充电无效，则更换电池组。
	驱动系统未正常工作。	交由贵区授权的维修中心进行维修。
主电源指示灯呈绿色闪烁。	不可操作的条件下扣动了开关扳机。	主电源开关打开后，扣动开关扳机。
异常振动： 立即停止工具！	导板或锯链松动。	调节导板和链条的张紧度。
	工具出现故障。	交由贵区授权的维修中心进行维修。
无法安装锯链。	锯链和链轮的组合不正确。	请参阅规格章节使用正确的锯链和链轮组合。

选购附件

小心： 这些附件或装置专用于本说明书所列的Makita（牧田）工具。如使用其他厂牌附件或装置，可能导致人身伤害。仅可将附件或装置用于规定目的。

如您需要了解更多关于这些选购附件的信息，请咨询当地的Makita（牧田）维修服务中心。

- 锯链
- 导板
- 导板护盖
- 锉刀
- Makita（牧田）原装电池和充电器

警告： 如果您购买的导板长度不同于标准导板，另请同时购买合适的导板护盖。导板护盖必须适合并完全覆盖工具上的导板。

注： 本列表中的一些部件可能作为标准配件包含于工具包装内。它们可能因销往国家之不同而异。

SPESIFIKASI

Model:		UA004G
Panjang keseluruhan (tanpa bilah pemandu dan baterai)		2.516 - 3.748 mm
Tegangan terukur		D.C. 36 V - 40 V maks
Berat bersih	*1	7,8 kg
	*2	7,8 - 8,5 kg
Panjang bilah pemandu standar		300 mm
Panjang bilah pemandu yang disarankan	dengan 90PX	250 - 300 mm
	dengan 91PX	250 - 300 mm
Tipe rantai gergaji yang dapat digunakan (lihat pada tabel di bawah)		90PX 91PX
Sproket standar	Jumlah gerigi	6
	Pitch	3/8"
Kecepatan rantai		0 - 20 m/s (0 - 1.200 m/min)
Volume tangki minyak rantai		160 cm ³
Derajat perlindungan		IPX4

- Karena kesinambungan program penelitian dan pengembangan kami, spesifikasi yang disebutkan di sini dapat berubah tanpa pemberitahuan.
- Spesifikasi dapat berbeda dari satu negara ke negara lainnya.

*1: Berat, dengan kartrid baterai terbesar dan tangki oli kosong, dan tanpa bilah pemandu, rantai, dan harness bahu, sesuai dengan EN ISO11680-1.

*2: Kombinasi beban teringan dan terberat, sesuai dengan Prosedur EPTA 01/2014. Berat alat mungkin berbeda tergantung perangkat tambahan yang dipasang, termasuk kartrid baterai.

Kartrid dan pengisi daya baterai yang dapat digunakan

Kartrid baterai	BL4020 / BL4025 / BL4040* / BL4050F* * : Baterai yang direkomendasikan
Pengisi daya	DC40RA / DC40RB / DC40RC

- Beberapa kartrid baterai dan pengisi daya yang tercantum di atas mungkin tidak tersedia, tergantung wilayah tempat tinggal Anda.

⚠PERINGATAN: Hanya gunakan kartrid dan pengisi daya baterai yang tercantum di atas. Penggunaan kartrid dan pengisi daya baterai lain dapat menimbulkan risiko cedera dan/atau kebakaran.

Sumber daya terhubung kabel yang direkomendasikan

Paket daya portabel	PDC01 / PDC1200
---------------------	-----------------

- Sumber daya terhubung kabel yang tercantum di atas mungkin tidak tersedia, bergantung pada wilayah tempat tinggal Anda.
- Sebelum menggunakan sumber daya terhubung kabel, baca petunjuk dan perhatian yang ditandai padanya.

Kombinasi rantai gergaji, bilah pemandu, dan sproket

Tipe rantai gergaji		90PX
Jumlah sambungan obeng		46
Bilah pemandu	Panjang bilah pemandu	300 mm
	Panjang pemotongan	296 mm
	Pitch	3/8"
	Pengukur	1,1 mm
	Tipe	Bilah hidung sproket
Sproket	Jumlah gerigi	6
	Pitch	3/8"

Tipe rantai gergaji		91PX
Jumlah sambungan obeng		46
Bilah pemandu	Panjang bilah pemandu	300 mm
	Panjang pemotongan	296 mm
	Pitch	3/8"
	Pengukur	1,3 mm
	Tipe	Bilah hidung sproket
Sproket	Jumlah gerigi	6
	Pitch	3/8"

⚠ PERINGATAN: Gunakan kombinasi yang sesuai antara bilah pemandu dan rantai gergaji. Jika tidak cedera diri mungkin terjadi.

Simbol

Berikut ini adalah simbol-simbol yang dapat digunakan pada peralatan ini. Pastikan Anda memahami arti masing-masing simbol sebelum menggunakan peralatan.

	Baca petunjuk penggunaan.
	Gunakan helm, kaca mata pelindung, dan pelindung telinga.
	Gunakan sarung tangan pelindung.
	Gunakan sepatu bot yang kokoh dengan sol anti-selip. Disarankan menggunakan sepatu bot pelindung dengan pelindung jari dari baja.
	Waspadalah terhadap saluran listrik, risiko sengatan listrik.
	Jaga jarak setidaknya 15 m.
	Panjang pemotongan maksimum yang diizinkan
	Arah pergerakan rantai
	Tangki oli rantai
	Permukaan panas - Dapat menyebabkan luka bakar pada jari atau tangan.



Hanya untuk negara-negara UE
Akibat adanya komponen berbahaya dalam peralatan, limbah peralatan listrik dan elektronik, aki dan baterai dapat memiliki dampak negatif pada lingkungan dan kesehatan manusia.

Jangan buang peralatan listrik dan elektronik atau baterai bersama limbah rumah tangga!

Sesuai dengan Petunjuk Eropa tentang limbah peralatan listrik dan elektronik dan tentang aki dan baterai serta limbah aki dan baterai, serta penyesuaiannya terhadap undang-undang nasional, limbah peralatan listrik, baterai dan aki harus disimpan secara terpisah dan dikirim ke tempat pengumpulan terpisah untuk sampah kota, beroperasi sesuai dengan peraturan tentang perlindungan lingkungan.

Hal ini ditunjukkan dengan simbol tempat sampah bersilang yang ditempatkan pada peralatan.



Level kekuatan suara terjamin sesuai dengan Petunjuk Kebisingan Di Luar Ruangan Uni Eropa.



Level kekuatan suara sesuai dengan Peraturan Kontrol Kebisingan NSW Australia

Penggunaan

Mesin ini digunakan untuk memangkas cabang dan dahan pohon.

PERINGATAN KESELAMATAN

Peringatan keselamatan umum mesin listrik

⚠️ PERINGATAN: Bacalah semua peringatan keselamatan, petunjuk, ilustrasi dan spesifikasi yang disertakan bersama mesin listrik ini. Kelalaian untuk mematuhi semua petunjuk yang tercantum di bawah ini dapat menyebabkan sengatan listrik, kebakaran dan/atau cedera serius.

Simpanlah semua peringatan dan petunjuk untuk acuan di masa depan.

Istilah "mesin listrik" dalam semua peringatan mengacu pada mesin listrik yang dijalankan dengan sumber listrik jala-jala (berkabel) atau baterai (tanpa kabel).

Keselamatan tempat kerja

1. **Jaga tempat kerja selalu bersih dan berpenerangan cukup.** Tempat kerja yang berantakan dan gelap mengundang kecelakaan.
2. **Jangan gunakan mesin listrik dalam lingkungan yang mudah meledak, misalnya jika ada cairan, gas, atau debu yang mudah menyala.** Mesin listrik menimbulkan bunga api yang dapat menyalakan debu atau uap tersebut.
3. **Jauhkan anak-anak dan orang lain saat menggunakan mesin listrik.** Bila perhatian terpecah, anda dapat kehilangan kendali.

Keamanan Kelistrikan

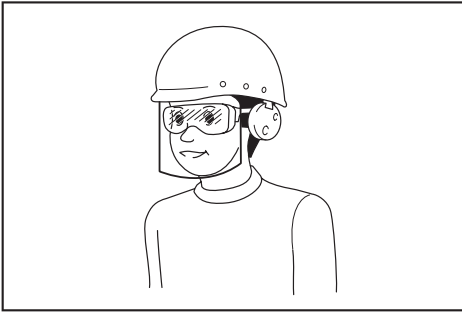
1. **Steker mesin listrik harus cocok dengan stopkontak. Jangan sekali-kali mengubah steker dengan cara apa pun. Jangan menggunakan steker adaptor dengan mesin listrik terbumi (dibumikan).** Steker yang tidak diubah dan stopkontak yang cocok akan mengurangi risiko sengatan listrik.
2. **Hindari sentuhan tubuh dengan permukaan terbumi atau yang dibumikan seperti pipa, radiator, kompor, dan kulkas.** Risiko sengatan listrik bertambah jika tubuh Anda terbumikan atau dibumikan.
3. **Jangan membiarkan mesin listrik kehujanan atau kebasahan.** Air yang masuk ke dalam mesin listrik akan meningkatkan risiko sengatan listrik.
4. **Jangan menyalahtgunakan kabel. Jangan sekali-kali menggunakan kabel untuk membawa, menarik, atau mencabut mesin listrik dari stopkontak. Jauhkan kabel dari panas, minyak, tepian tajam, atau bagian yang bergerak.** Kabel yang rusak atau kusut memperbesar risiko sengatan listrik.
5. **Bila menggunakan mesin listrik di luar ruangan, gunakan kabel ekstensi yang sesuai untuk penggunaan di luar ruangan.** Penggunaan kabel yang sesuai untuk penggunaan luar ruangan mengurangi risiko sengatan listrik.

6. **Jika mengoperasikan mesin listrik di lokasi lembap tidak terhindarkan, gunakan pasokan daya yang dilindungi peranti imbasan arus (residual current device - RCD).** Penggunaan RCD mengurangi risiko sengatan listrik.
7. **Mesin listrik dapat menghasilkan medan magnet (EMF) yang tidak berbahaya bagi pengguna.** Namun, pengguna alat pacu jantung atau peralatan medis sejenisnya harus berkonsultasi dengan produsen peralatan tersebut dan/atau dokter mereka sebelum mengoperasikan mesin listrik ini.

Keselamatan Diri

1. **Jaga kewaspadaan, perhatikan pekerjaan Anda dan gunakan akal sehat bila menggunakan mesin listrik. Jangan menggunakan mesin listrik saat Anda lelah atau di bawah pengaruh obat bius, alkohol, atau obat.** Sekejap saja lalai saat menggunakan mesin listrik dapat menyebabkan cedera badan serius.
2. **Gunakan alat pelindung diri. Selalu gunakan pelindung mata.** Peralatan pelindung seperti masker debu, sepatu pengaman anti-selip, helm pengaman, atau pelindung telinga yang digunakan untuk kondisi yang sesuai akan mengurangi risiko cedera badan.
3. **Cegah penyalaan yang tidak disengaja. Pastikan bahwa sakelar berada dalam posisi mati (off) sebelum menghubungkan mesin ke sumber daya dan/atau paket baterai, atau mengangkat atau membawanya.** Membawa mesin listrik dengan jari Anda pada sakelarnya atau mengalirkan listrik pada mesin listrik yang sakelarnya hidup (on) akan mengundang kecelakaan.
4. **Lepaskan kunci-kunci penyetel sebelum menghidupkan mesin listrik.** Kunci-kunci yang masih terpasang pada bagian mesin listrik yang berputar dapat menyebabkan cedera.
5. **Jangan meraih terlalu jauh. Jagalah pijakan dan keseimbangan sepanjang waktu.** Hal ini memungkinkan kendali yang lebih baik atas mesin listrik dalam situasi yang tidak diharapkan.
6. **Kenakan pakaian yang memadai. Jangan memakai pakaian yang longgar atau perhiasan. Jaga jarak antara rambut dan pakaian Anda dengan komponen mesin yang bergerak.** Pakaian yang longgar, perhiasan, atau rambut yang panjang dapat tersangkut pada komponen yang bergerak.
7. **Jika tersedia fasilitas untuk menghisap dan mengumpulkan debu, pastikan fasilitas tersebut terhubung listrik dan digunakan dengan baik.** Penggunaan pembersih debu dapat mengurangi bahaya yang terkait dengan debu.
8. **Jangan sampai Anda lelah dan mengabaikan prinsip keselamatan mesin ini hanya karena sudah sering mengoperasikannya dan sudah merasa terbiasa.** Tindakan yang lalai dapat menyebabkan cedera berat dalam sepersekian detik saja.

9. **Selalu kenakan kacamata pelindung untuk melindungi mata dari cedera saat menggunakan mesin listrik. Kacamata harus sesuai dengan ANSI Z87.1 di Amerika Serikat, EN 166 di Eropa, atau AS/NZS 1336 di Australia/Selandia Baru. Di Australia/Selandia Baru, secara hukum Anda juga diwajibkan mengenakan pelindung wajah untuk melindungi wajah Anda.**



Menjadi tanggung jawab atasannya untuk menerapkan penggunaan alat pelindung keselamatan yang tepat bagi operator mesin dan orang lain yang berada di area kerja saat itu.

Penggunaan dan pemeliharaan mesin listrik

1. **Jangan memaksa mesin listrik. Gunakan mesin listrik yang tepat untuk keperluan Anda.** Mesin listrik yang tepat akan menuntaskan pekerjaan dengan lebih baik dan aman pada kecepatan sesuai rancangannya.
2. **Jangan gunakan mesin listrik jika sakelar tidak dapat menyala dan memastikannya.** Mesin listrik yang tidak dapat dikendalikan dengan sakelarnya adalah berbahaya dan harus diperbaiki.
3. **Cabut steker dari sumber listrik dan/atau lepas paket baterai, jika dapat dilepas, dari mesin listrik sebelum melakukan penyetelan apa pun, mengganti aksesor, atau menyimpan mesin listrik.** Langkah keselamatan preventif tersebut mengurangi risiko hidupnya mesin secara tak sengaja.
4. **Simpan mesin listrik jauh dari jangkauan anak-anak dan jangan biarkan orang yang tidak paham mengenai mesin listrik tersebut atau petunjuk ini menggunakan mesin listrik.** Mesin listrik sangat berbahaya di tangan pengguna yang tak terlatih.
5. **Rawatlah mesin listrik dan aksesor. Periksa apakah ada komponen bergerak yang tidak lurus atau macet, komponen yang pecah, dan kondisi-kondisi lain yang dapat memengaruhi pengoperasian mesin listrik. Jika rusak, perbaiki mesin listrik terlebih dahulu sebelum digunakan.** Banyak kecelakaan disebabkan oleh kurangnya pemeliharaan mesin listrik.
6. **Jaga agar mesin pemotong tetap tajam dan bersih.** Mesin pemotong yang terawat baik dengan mata pemotong yang tajam tidak mudah macet dan lebih mudah dikendalikan.
7. **Gunakan mesin listrik, aksesor, dan mata mesin, dll. sesuai dengan petunjuk ini, dengan memperhitungkan kondisi kerja dan jenis pekerjaan yang dilakukan.** Penggunaan mesin listrik untuk penggunaan yang lain dari peruntukan dapat menimbulkan situasi berbahaya.
8. **Jagalah agar gagang dan permukaan pegangan tetap kering, bersih, dan bebas dari minyak dan pelumas.** Gagang dan permukaan pegangan yang licin tidak mendukung keamanan penanganan dan pengendalian mesin dalam situasi-situasi tak terduga.
9. **Ketika menggunakan mesin, jangan menggunakan sarung tangan kain yang dapat tersangkut.** Sarung tangan kain yang tersangkut pada komponen bergerak dapat mengakibatkan cedera pada pengguna.

Penggunaan dan pemeliharaan mesin bertenaga baterai

1. **Isi ulang baterai hanya dengan pengisi daya yang ditentukan oleh pabrik.** Pengisi daya yang cocok untuk satu jenis paket baterai dapat menimbulkan risiko kebakaran ketika digunakan untuk paket baterai yang lain.
2. **Gunakan mesin listrik hanya dengan paket baterai yang telah ditentukan secara khusus.** Penggunaan paket baterai lain dapat menimbulkan risiko cedera dan kebakaran.
3. **Ketika paket baterai tidak digunakan, jauhkan dari benda logam lain, seperti penjepit kertas, uang logam, kunci, paku, sekrup atau benda logam kecil lainnya, yang dapat menghubungkan satu terminal ke terminal lain.** Hubungan singkat terminal baterai dapat menyebabkan luka bakar atau kebakaran.
4. **Pemakaian yang salah, dapat menyebabkan keluarnya cairan dari baterai; hindari kontak. Jika terjadi kontak secara tidak sengaja, bilas dengan air. Jika cairan mengenai mata, cari bantuan medis.** Cairan yang keluar dari baterai bisa menyebabkan iritasi atau luka bakar.
5. **Jangan menggunakan paket baterai atau mesin yang sudah rusak atau telah diubah.** Baterai yang rusak atau telah diubah dapat menyebabkan hal-hal yang tidak dapat diprediksi yang dapat menyebabkan kebakaran, ledakan atau risiko cedera.
6. **Jangan membiarkan paket baterai atau mesin dekat dengan api atau suhu yang berlebihan.** Paparan api atau suhu di atas 130 °C dapat menyebabkan ledakan.
7. **Ikuti semua petunjuk pengisian daya dan jangan mengisi daya paket baterai atau mesin di luar rentang suhu yang ditentukan di panduan.** Mengisi daya secara tidak tepat atau pada suhu di luar rentang yang ditentukan dapat merusak baterai dan meningkatkan risiko kebakaran.

Servis

1. **Berikan mesin listrik untuk diperbaiki hanya kepada oleh teknisi yang berkualifikasi dengan menggunakan hanya suku cadang pengganti yang serupa.** Hal ini akan menjamin terjaganya keamanan mesin listrik.

2. **Jangan pernah memperbaiki paket baterai yang sudah rusak.** Perbaikan paket baterai harus dilakukan hanya oleh produsen atau penyedia servis resmi.
3. **Patuhi petunjuk pelumasan dan penggantian aksesoris.**

Peringatan Keselamatan Gergaji Galah Teleskopik Tanpa Kabel

Tindakan pencegahan umum

1. **Sebelum menyalakan mesin, baca petunjuk penggunaan ini agar lebih memahami penggunaan mesin ini.**
2. **Jangan meminjamkan mesin kepada orang yang tidak terlatih atau tidak tahu mengenai cara untuk menangani mesin ini.**
3. **Ketika meminjamkan mesin, selalu sertakan petunjuk penggunaan ini.**
4. **Jangan biarkan anak kecil atau anak di bawah usia 18 tahun untuk menggunakan mesin. Jauhkan mereka dari mesin.**
5. **Gunakan mesin dengan hati-hati.**
6. **Jangan pernah menggunakan mesin setelah mengonsumsi alkohol atau obat-obatan terlarang, atau ketika merasa capek atau sakit.**
7. **Jangan pernah mencoba untuk melakukan modifikasi pada mesin.**
8. **Jangan gunakan mesin ini saat kondisi cuaca buruk, terutama jika terdapat risiko sambaran petir. Hal ini akan mengurangi risiko disambar petir.**
9. **Peraturan negara Anda mungkin melarang penggunaan mesin ini. Patuhi peraturan mengenai penggunaan mesin ini di negara Anda.**

Alat pelindung diri

1. **Kenakan helm pengaman, kacamata pelindung, dan sarung tangan pelindung untuk melindungi diri dari serpihan yang terbang atau benda jatuh.**
2. **Gunakan pelindung telinga seperti sarung telinga untuk mencegah gangguan pendengaran.**
3. **Gunakan pakaian dan sepatu yang sesuai untuk penggunaan yang aman, seperti baju terusan kerja dan sepatu yang kuat, tidak licin. Jangan mengenakan pakaian yang kedodoran atau perhiasan. Pakaian kedodoran, perhiasan, atau rambut panjang dapat tersangkut pada bagian yang bergerak.**
4. **Saat menangani rantai gergaji atau menyesuaikan tegangan rantai, kenakan sarung tangan pelindung. Rantai gergaji dapat menyebabkan cedera serius pada tangan tanpa pelindung.**

Keselamatan tempat kerja

1. **Jauhkan mesin setidaknya 15 m dari saluran listrik dan kabel komunikasi (termasuk cabang yang bersentuhan dengannya). Menyentuh atau mendekati saluran bertegangan tinggi menggunakan mesin dapat menyebabkan kematian atau cedera serius. Perhatikan saluran listrik dan pagar listrik di sekitar area kerja sebelum memulai operasi.**
2. **Gunakan mesin dalam jarak penglihatan yang bagus dan gunakan pada siang hari. Jangan gunakan mesin dalam kegelapan atau kabut.**
3. **Saat pengoperasian, jangan berdiri di atas permukaan yang tidak stabil, permukaan yang licin, atau lereng yang curam. Saat musim dingin, hati-hati dengan es dan salju dan selalu pastikan pijakan kokoh.**
4. **Saat pengoperasian, pastikan orang lain atau binatang berada setidaknya 15 m dari mesin. Segera matikan mesin jika ada seseorang yang mendekati.**
5. **Saat bekerja dengan dua orang atau lebih, jaga jarak antara setiap personel setidaknya 15 m atau lebih, dan harus ada seorang pengawas.**
6. **Sebelum pengoperasian, periksa area kerja untuk pagar kawat, dinding, atau objek keras lainnya. Itu semua dapat merusak rantai gergaji.**

Persiapan

1. **Sebelum memasang atau menyetel mesin, matikan mesin dan lepaskan kartrid baterai.**
2. **Sebelum menangani rantai gergaji atau menyesuaikan tegangan rantai, kenakan sarung tangan pelindung.**
3. **Sebelum menyalakan mesin, pastikan mesin tidak mengalami kerusakan, terdapat sekrup/mur yang kendur, atau pemasangan yang kurang tepat. Mengasah rantai gergaji yang tumpul. Jika rantai gergaji bengkok atau rusak, segera ganti. Periksa semua tuas kontrol dan tombol untuk memudahkan pekerjaan. Bersihkan dan keringkan gagang.**
4. **Jangan pernah mencoba menyalakan jika mesin rusak atau belum terpasang sempurna. Jika tidak, cedera serius dapat terjadi.**
5. **Sesuaikan harness bahu agar pas dengan ukuran badan operator.**
6. **Sesuaikan tegangan rantai secara tepat. Ini ulang oli rantai, jika perlu.**

Menghidupkan mesin

1. **Kenakan peralatan pelindung pribadi sebelum menghidupkan mesin.**
2. **Sebelum menghidupkan mesin, pastikan bahwa tidak ada seseorang atau binatang di area kerja.**
3. **Saat memasang kartrid baterai, jauhkan rantai gergaji dan bilah pemandu dari badan Anda dan benda lain, termasuk tanah. Rantai gergaji bergerak saat dihidupkan dan dapat menyebabkan cedera serius atau kerusakan pada rantai gergaji dan/atau properti.**
4. **Letakkan mesin di tanah yang kokoh. Pertahankan keseimbangan yang baik dan berdirilah di pijakan yang aman.**

Pengoperasian

1. Dalam keadaan darurat, segera matikan mesin.
2. Jika Anda merasakan hal yang tidak biasa (misalnya suara, getaran) selama pengoperasian, matikan mesin. Jangan gunakan mesin sampai penyebab permasalahan diketahui dan diperbaiki.
3. Rantai gergaji terus bergerak selama beberapa saat setelah mesin dimatikan. Jangan terburu-buru menyentuh rantai gergaji.
4. Selama pengoperasian, gunakan harness bahu. Tahan mesin di sisi kanan Anda dengan kuat.
5. Pegang bagian depan gagang dengan tangan kiri dan gagang belakang dengan tangan kanan, baik Anda kidal atau tidak. Belitkan jari-jari tangan Anda pada gagang.
6. Pegang mesin hanya pada permukaan genggaman yang terisolasi karena rantai gergaji mungkin bersentuhan dengan kawat tersembunyi. Rantai gergaji yang menyentuh kawat yang "aktif" dapat menyebabkan bagian logam pada mesin dengan perpanjangan jangkauan teraliri arus listrik "aktif" dan dapat menyengat operator.
7. Jangan pernah mencoba mengoperasikan mesin dengan satu tangan. Kehilangan kendali dapat mengakibatkan cedera serius atau fatal. Untuk mengurangi risiko cedera, jauhkan tangan dan kaki Anda dari rantai gergaji.
8. Bekerjalah sesuai jangkauan Anda. Selalu jaga pijakan dan keseimbangan. Perhatikan penghalang yang terpendam seperti tunggul, akar pohon, dan parit untuk menghindari tersandung. Bersihkan ranting-ranting yang jatuh dan objek lainnya.
9. Jangan pernah bekerja di atas tangga atau pohon untuk menghindari kehilangan kendali.
10. Apabila mesin terbentur keras atau terjatuh, periksa keadaannya sebelum melanjutkan bekerja. Jika ada kerusakan atau keraguan, mintalah pemeriksaan dan perbaikan pada pusat layanan resmi Makita.
11. Jangan sentuh kepala mesin. Kepala mesin menjadi panas selama pengoperasian.
12. Beristirahatlah untuk mencegah hilangnya kontrol karena kelelahan. Kami sarankan untuk beristirahat 10 hingga 20 menit setiap jamnya.
13. Ketika Anda meninggalkan mesin, meskipun untuk waktu yang sebentar, selalu matikan mesin dan lepaskan kartrid baterai. Mesin yang menyala dan tanpa pengawasan dapat digunakan oleh orang yang tidak berbakat dan menyebabkan kecelakaan serius.
14. Saat mengoperasikan mesin ini, jangan angkat tangan kanan melebihi tinggi bahu Anda.
15. Saat digunakan, jangan pernah memukulkan rantai gergaji ke penghalang yang keras seperti batu dan paku. Berhati-hatilah saat memotong cabang di dekat dinding, pagar kawat, atau sejenisnya.
16. Jika cabang tersangkut di dalam mesin, selalu hentikan mesin dan lepaskan kartrid baterai. Jika tidak, penyalan mesin yang tidak disengaja dapat menyebabkan cedera serius.
17. Jika rantai gergaji tersumbat, selalu matikan mesin dan lepaskan kartrid baterai sebelum membersihkannya.
18. Mempercepat mesin dengan rantai gergaji yang menghalang meningkatkan beban dan akan merusak mesin.
19. Sebelum memotong cabang pohon, pastikan ada area untuk menghindari cabang yang jatuh. Pertama, singkirkan penghalang seperti cabang dan ranting dari area kerja. Pindahkan semua mesin dan barang dari area untuk menghindar ke tempat lain yang aman.
20. Sebelum memotong cabang dan dahan, periksa arah jatuhnya, dengan mempertimbangkan kondisi cabang dan dahan, pohon-pohon yang berdekatan, arah angin, dll. Perhatikan secara saksama arah jatuh, dan pantulan cabang, yang menghantam tanah.
21. Jangan pernah memegang mesin pada sudut lebih dari 60°. Jika tidak, benda yang jatuh dapat mengenai operator dan menyebabkan cedera serius. Jangan pernah berdiri di bawah dahan yang dipotong.
22. Perhatikan cabang yang patah atau bengkok. Cabang itu mungkin menyentak saat dipotong, dan menyebabkan cedera yang tidak terduga.
23. Sebelum memotong dahan yang dituju, bersihkan ranting dan daun di sekitarnya. Jika tidak, rantai gergaji dapat tersangkut olehnya.
24. Agar rantai gergaji tidak tersangkut di garitan, jangan lepaskan tuas sebelum menarik rantai gergaji keluar dari garitan.
25. Jika rantai gergaji tersangkut di garitan, segera hentikan mesin, gerakkan cabang dengan hati-hati untuk membuka garitan, lalu lepaskan rantai gergaji.
26. Antisipasi terjadinya hentakan balik (gaya reaktif rotasi ke arah operator). Untuk mencegah hentakan balik, jangan pernah menggunakan hidung bilah pemandu atau melakukan pemotongan tembus. Berhati-hatilah selalu dengan posisi hidung bilah pemandu.
27. Periksa tegangan rantai secara rutin. Ketika memeriksa atau menyesuaikan tegangan rantai, matikan mesin dan lepaskan kartrid baterai. Jika tegangan rantai kendur, kencangkan.
28. Ketika Anda menggunakan mesin di permukaan berlumpur, lereng basah, atau tempat yang licin, perhatikan pijakan Anda dengan saksama.
29. Jangan biarkan mesin terendam genangan air.
30. Jangan meninggalkan mesin tanpa pengawasan di luar saat hujan.

Pemindahan

1. Sebelum memindahkan mesin, matikan mesin dan lepaskan kartrid baterai. Selalu pasang penutup bilah pemandu selama pemindahan.
2. Ketika memindahkan mesin, bawalah dengan posisi horizontal dengan memegang gagangnya.

Pemeliharaan

1. **Servis peralatan Anda hanya oleh pusat layanan resmi kami, dan selalu gunakan suku cadang pengganti asli.** Perbaikan yang salah serta pemeliharaan yang tidak layak dapat mengurangi umur mesin dan meningkatkan risiko kecelakaan.
2. **Sebelum melakukan pemeliharaan atau memperbaiki atau membersihkan mesin, selalu matikan mesin dan lepaskan kartrid baterai.** Tunggu sampai mesin menjadi dingin.
3. **Selalu kenakan sarung tangan pelindung saat menangani rantai gergaji.**
4. **Setelah setiap penggunaan, kencangkan semua sekrup dan mur, kecuali sekrup penyetelan.**
5. **Pastikan rantai gergaji selalu tajam.** Jika rantai gergaji menjadi tumpul dan kinerja pemotongannya buruk, hubungi pusat layanan resmi Makita untuk mengasahnya atau menggantinya dengan yang baru.
6. **Jangan mencoba melakukan pemeliharaan atau perbaikan apa pun yang tidak dijelaskan dalam petunjuk penggunaan ini.** Mintalah pusat layanan resmi Makita untuk melakukannya.
7. **Selalu gunakan suku cadang dan aksesoris asli Makita.** Menggunakan bagian atau aksesoris yang disediakan oleh pihak ketiga dapat mengakibatkan kerusakan mesin, kerusakan barang, dan/atau cedera serius.

Penyimpanan

1. **Sebelum menyimpan mesin, lakukan pembersihan dan pemeliharaan penuh.** Pasang penutup bilah pemandu. Lepaskan kartrid baterai. Kuras oli rantai setelah suhu mesin dingin.
2. **Simpan mesin di tempat yang kering dan tinggi atau tempat terkunci yang jauh dari jangkauan anak kecil.**
3. **Jangan sandarkan mesin pada sesuatu, seperti tembok.** Jika tidak, mesin dapat terjatuh dan menyebabkan cedera serius.
4. **Ketika menyimpan mesin, hindari terkena cahaya matahari dan hujan langsung, dan simpan di tempat yang jauh dari panas atau lembap.**

Keselamatan listrik dan baterai

1. **Jangan buang baterai ke nyala api.** Sel baterai dapat meledak. Periksa kode setempat untuk petunjuk pembuangan khusus yang memungkinkan.
2. **Jangan buka atau bongkar baterai.** Elektrolit yang terlepas bersifat korosif dan dapat melukai mata atau kulit. Zat tersebut dapat beracun jika tertelan.
3. **Jangan mengisi daya baterai saat hujan, atau di lokasi yang basah.**
4. **Jangan mengisi daya baterai di luar ruangan.**
5. **Jangan memegang pengisi daya, termasuk steker pengisi daya, dan terminal pengisi daya dengan tangan basah.**

6. **Hindari lingkungan yang berbahaya.** Jangan gunakan mesin di lokasi yang lembap dan basah, atau membiarkannya terkena hujan. Air yang masuk ke dalam mesin akan meningkatkan risiko sengatan listrik.
7. **Jangan ganti baterai dalam kondisi hujan.**

SIMPAN PETUNJUK INI.

⚠PERINGATAN: JANGAN biarkan kenyamanan atau terbiasanya Anda dengan produk (karena penggunaan berulang) mengurangi kepatuhan yang ketat terhadap aturan keselamatan untuk produk yang terkait. **PENYALAHGUNAAN** atau kelalaian mematuhi kaidah keselamatan yang tertera dalam petunjuk ini dapat menyebabkan cedera badan serius.

Petunjuk keselamatan penting untuk kartrid baterai

1. **Sebelum menggunakan kartrid baterai, bacalah semua petunjuk dan penandaan pada (1) pengisi daya baterai, (2) baterai, dan (3) produk yang menggunakan baterai.**
2. **Jangan membongkar atau memodifikasi kartrid baterai.** Tindakan tersebut dapat menimbulkan api, panas berlebih, atau ledakan.
3. **Jika waktu beroperasinya menjadi sangat singkat, segera hentikan penggunaan.** Hal tersebut dapat menimbulkan risiko panas berlebih, kemungkinan mengalami luka bakar atau bahkan terjadi ledakan.
4. **Jika elektrolit mengenai mata Anda, basuh dengan air bersih dan segera cari pertolongan medis.** Hal tersebut dapat mengakibatkan hilangnya kemampuan penglihatan Anda.
5. **Jangan menghubungkan terminal kartrid baterai:**
 - (1) **Jangan menyentuh terminal dengan bahan penghantar listrik apa pun.**
 - (2) **Hindari menyimpan kartrid baterai pada wadah yang berisi benda logam lain seperti paku, uang logam, dsb.**
 - (3) **Jangan membiarkan baterai terkena air atau kehujanan.**Hubungan singkat baterai dapat menyebabkan aliran arus listrik yang besar, panas berlebih, kemungkinan mengalami luka bakar dan bahkan kerusakan pada baterai.
6. **Jangan menyimpan dan menggunakan mesin dan kartrid baterai pada lokasi dengan suhu yang bisa mencapai atau melebihi 50 °C (122 °F).**
7. **Jangan membuang kartrid baterai di tempat pembakaran sampah walaupun benar-benar rusak atau tidak bisa digunakan sama sekali.** Kartrid baterai bisa meledak jika terbakar.
8. **Jangan memaku, memotong, menghancurkan, melempar, menjatuhkan kartrid baterai, atau memukulkan benda keras ke kartrid baterai.** Tindakan tersebut dapat menimbulkan api, panas berlebih, atau ledakan.
9. **Jangan menggunakan baterai yang rusak.**

10. **Baterai litium-ion yang disertakan sesuai dengan persyaratan Perundangan Makanan Berbahaya.**
Harus ada pengawasan untuk pengangkutan komersial misalnya oleh pihak ketiga, ekspeditor, persyaratan khusus terhadap pengemasan dan pelabelan.
Diperlukan adanya konsultasi dengan ahli mengenai material berbahaya untuk persiapan barang yang akan dikirimkan. Perhatikan pula peraturan nasional yang lebih terperinci yang mungkin ada.
Beri perekat atau tutupi bagian yang terbuka dan kemasi baterai dengan cara yang tidak akan menimbulkan pergeseran dalam pengemasan.
11. **Ketika membuang kartrid baterai, lepaskan dari mesin dan buang ke tempat yang aman. Patuhi peraturan setempat yang berkaitan dengan pembuangan baterai.**
12. **Gunakan baterai hanya dengan produk yang ditentukan oleh Makita.** Memasang baterai pada produk yang tidak sesuai dapat menyebabkan kebakaran, kelebihan panas, ledakan, atau kebocoran elektrolit.
13. **Jika mesin tidak digunakan dalam jangka waktu yang lama, baterai harus dilepas dari mesin.**
14. **Selama dan setelah digunakan, kartrid baterai mungkin menyimpan panas yang dapat menyebabkan luka bakar atau luka bakar suhu rendah.** Perhatikan cara memegang kartrid baterai yang masih panas.
15. **Jangan langsung menyentuh terminal mesin setelah digunakan karena suhunya mungkin cukup panas untuk menyebabkan luka bakar.**
16. **Jangan biarkan serpihan, debu, atau tanah menempel di terminal, lubang, dan alur kartrid baterai.** Hal tersebut dapat menyebabkan pemanasan, kebakaran, ledakan, dan kegagalan fungsi mesin atau kartrid baterai, yang mengakibatkan luka bakar atau cedera diri.
17. **Kecuali jika mesin mendukung penggunaan di dekat saluran listrik bertegangan tinggi, jangan gunakan kartrid baterai di dekat saluran listrik bertegangan tinggi.** Hal tersebut dapat mengakibatkan kegagalan fungsi atau kerusakan mesin maupun kartrid baterai.
18. **Jauhkan baterai dari jangkauan anak-anak.**

SIMPAN PETUNJUK INI.

⚠PERHATIAN: Gunakan baterai asli Makita. Penggunaan baterai Makita yang tidak asli, atau baterai yang sudah diubah, akan mengakibatkan baterai mudah terbakar, cedera dan kerusakan. Akan menghilangkan garansi Makita pada pengisi daya dan alat Makita.

Tip untuk menjaga agar umur pemakaian baterai maksimum

1. **Isi ulang kartrid baterai sebelum habis sama sekali.** Selalu hentikan penggunaan mesin dan ganti kartrid baterai jika Anda melihat bahwa mesin kurang tenaga.
2. **Jangan pernah mengisi ulang kartrid baterai yang sudah diisi penuh.** Pengisian ulang yang berlebih memperpendek umur pemakaian baterai.
3. **Isi ulang kartrid baterai pada suhu ruangan 10 °C - 40 °C.** Biarkan kartrid baterai yang panas menjadi dingin terlebih dahulu sebelum diisi ulang.
4. **Saat kartrid baterai tidak digunakan, lepaskan dari mesin atau pengisi daya.**
5. **Isi ulang daya kartrid baterai jika Anda tidak menggunakannya untuk jangka waktu yang lama (lebih dari enam bulan).**

DESKRIPSI BAGIAN-BAGIAN MESIN

► Gbr.1

1	Lampu daya utama	2	Sakelar daya utama	3	Gantungan
4	Tuas buka kunci	5	Kartrid baterai	6	Pelatak sakelar
7	Gagang belakang	8	Rantai Gergaji	9	Bilah pemandu
10	Tutup tangki oli	11	Cincin pengunci	12	Mur penahan
13	Sekrup penyatel rantai	14	Penutup bilah pemandu	15	Gagang depan

DESKRIPSI FUNGSI

⚠️ PERHATIAN: Selalu pastikan bahwa mesin dimatikan dan kartrid baterai dilepas sebelum menyatel atau memeriksa kerja mesin.

Memasang atau melepas baterai

⚠️ PERHATIAN: Selalu matikan mesin sebelum memasang atau melepas kartrid baterai.

⚠️ PERHATIAN: Pegang mesin dan kartrid baterai kuat-kuat saat memasang atau melepas kartrid baterai. Kelalaian untuk memegang mesin dan kartrid baterai kuat-kuat bisa menyebabkan keduanya tergelincir dari tangan Anda dan mengakibatkan kerusakan pada mesin dan kartrid baterai dan cedera diri.

- **Gbr.2:** 1. Indikator berwarna merah 2. Tombol 3. Kartrid baterai

Untuk melepas kartrid baterai, geser dari mesin sambil menggeser tombol pada bagian depan kartrid.

Untuk memasang kartrid baterai, sejajarkan lidah kartrid baterai dengan alur pada rumah dan masukkan ke dalam tempatnya. Masukkan seluruhnya sampai terkunci pada tempatnya dan terdengar bunyi klik kecil. Jika Anda bisa melihat indikator berwarna merah seperti yang ditunjukkan pada gambar, ini artinya kartrid baterai tidak terkunci sempurna.

⚠️ PERHATIAN: Selalu pasang kartrid baterai sepenuhnya sampai indikator berwarna merah tidak terlihat. Jika tidak, bisa terlepas dari mesin secara tidak sengaja, menyebabkan luka pada Anda atau orang di sekitar Anda.

⚠️ PERHATIAN: Jangan memasang kartrid baterai secara paksa. Jika kartrid tidak bergeser dengan mudah, berarti tidak dimasukkan dengan benar.

Mengindikasikan kapasitas baterai yang tersisa

Tekan tombol pemeriksaan pada kartrid baterai untuk melihat kapasitas baterai yang tersisa. Lampu indikator menyala selama beberapa detik.

- **Gbr.3:** 1. Lampu indikator 2. Tombol pemeriksaan

Lampu indikator			Kapasitas yang tersisa
Menyala	Mati	Berkedip	
■	□	◐	75% hingga 100%
■	■	□	50% hingga 75%
■	■	□	25% hingga 50%
■	□	□	0% hingga 25%
◐	□	□	Isi ulang baterai.
■	■	□	Baterai mungkin sudah rusak.
□	□	■	

CATATAN: Tergantung kondisi penggunaan dan suhu lingkungannya, penunjukkan mungkin saja sedikit berbeda dari kapasitas sebenarnya.

CATATAN: Lampu indikator pertama (ujung kiri) akan berkedip ketika sistem perlindungan mesin bekerja.

Sistem perlindungan mesin / baterai

Mesin ini dilengkapi dengan sistem perlindungan mesin/ baterai. Sistem ini memutus daya ke motor secara otomatis untuk memperpanjang umur pakai mesin dan baterai. Mesin akan berhenti secara otomatis saat dioperasikan jika mesin atau baterai mengalami salah satu dari kondisi-kondisi berikut ini:

Perlindungan kelebihan beban

Jika baterai digunakan dengan cara yang menjadikan baterai mengeluarkan arus tinggi yang berlebihan, mesin akan berhenti secara otomatis dan lampu daya utama berkedip hijau. Dalam situasi ini, matikan mesin dan hentikan pekerjaan yang menyebabkan mesin mengalami kelebihan beban. Kemudian, nyalakan mesin untuk kembali melanjutkan pekerjaan.

Perlindungan panas berlebih

Apabila mesin atau baterai menjadi terlalu panas, mesin akan berhenti secara otomatis dan lampu daya utama akan berkedip merah. Pada keadaan ini, tunggu hingga mesin dan baterai mendingin sebelum dinyalakan kembali.

CATATAN: Dalam lingkungan bertemperatur tinggi, pelindung panas akan bekerja dan mesin berhenti secara otomatis.

Perlindungan pengisian daya berlebih

Apabila kapasitas baterai tidak mencukupi, mesin akan berhenti secara otomatis dan lampu daya utama akan berkedip merah. Dalam kondisi ini, lepaskan baterai dari mesin dan isi ulang daya baterai.

Perlindungan terhadap penyebab lain

Sistem perlindungan juga dirancang untuk penyebab lain yang dapat merusak mesin dan memungkinkan mesin untuk berhenti secara otomatis. Lakukan semua langkah berikut ini untuk mengatasi penyebabnya, saat mesin dihentikan sementara atau berhenti beroperasi.

1. Matikan mesin, dan kemudian hidupkan kembali untuk memulai ulang.
2. Isi baterai atau ganti dengan baterai yang sudah diisi ulang.
3. Biarkan mesin dan baterai menjadi dingin.

Jika tidak ada peningkatan yang dapat ditemukan dengan memulihkan sistem perlindungan, hubungi Pusat Servis Makita setempat Anda.

Sakelar daya utama

⚠PERINGATAN: Selalu matikan sakelar daya utama saat tidak digunakan.

Untuk menyalakan mesin, tekan sakelar daya utama. Untuk mematikan, tekan sakelar daya utama lagi.

► **Gbr.4:** 1. Lampu daya utama 2. Sakelar daya utama

CATATAN: Lampu daya utama berkedip dalam warna hijau ketika Anda menyalakan sakelar daya utama sambil menahan tuas buka kunci dan menarik pelatuk sakelar. Apabila ini terjadi, lepaskan pelatuk sakelar dan tuas buka kunci, lalu nyalakan sakelar daya utama.

CATATAN: Mesin ini menggunakan fungsi pemutus daya otomatis. Untuk menghindari penyalaan yang tidak disengaja, sakelar daya utama akan secara otomatis mati ketika pelatuk sakelar tidak ditarik selama beberapa saat setelah sakelar daya utama dinyalakan.

Kerja sakelar

⚠PERINGATAN: Untuk keselamatan Anda, mesin ini dilengkapi tuas buka kunci untuk mencegah hidupnya mesin secara tidak disengaja. **JANGAN PERNAH** menggunakan mesin jika mesin tersebut menyala ketika Anda hanya menarik pelatuk sakelarnya tanpa menekan tuas buka kunci. Kembalikan mesin ke pusat layanan resmi kami untuk diperbaiki dengan benar **SEBELUM** menggunakannya lebih lanjut.

⚠PERINGATAN: **JANGAN PERNAH** melakban atau mengurangi kegunaan dan fungsi tuas buka kunci.

⚠PERHATIAN: Sebelum memasukkan kartrid baterai pada mesin, pastikan picu saklar berfungsi dengan baik dan kembali ke posisi "OFF" saat dilepas.

PEMBERITAHUAN: Jangan menarik dalam-dalam pelatuk sakelar tanpa menekan tuas buka kunci. Hal ini bisa merusak sakelar.

Untuk mencegah pelatuk sakelar tertarik dengan tidak sengaja, tersedia sebuah tuas buka kunci. Untuk menjalankan mesin, tekan tuas buka kunci dan tarik pelatuk sakelar. Kecepatan mesin akan meningkat dengan menambah tekanan pada pelatuk sakelar. Lepaskan pelatuk sakelar untuk berhenti.

► **Gbr.5:** 1. Pelatuk sakelar 2. Tuas buka kunci

Menyesuaikan panjang pipa

Untuk memperpanjang atau memperpendek pipa, kendurkan cincin pengunci dengan memutar cincin pengunci berlawanan arah jarum jam, kemudian sesuaikan panjang pipa dan kencangkan cincin dengan memutar cincin pengunci searah jarum jam.

► **Gbr.6:** 1. Cincin pengunci 2. Pipa

PERAKITAN

⚠PERHATIAN: Selalu pastikan bahwa mesin dimatikan dan kartrid baterai dilepas sebelum melakukan pekerjaan apa pun pada mesin.

⚠PERHATIAN: Jangan sentuh rantai gergaji dengan tangan kosong. Selalu kenakan sarung tangan saat menangani rantai gergaji.

Merakit mesin

1. Lepaskan 2 tutup dari pipa, dan 1 pipa dari kepala mesin.

► **Gbr.7:** 1. Tutup 2. Pipa 3. Kepala mesin

2. Kendurkan 3 baut, lalu lepaskan 1 baut menggunakan kunci L.

► **Gbr.8:** 1. Baut

3. Masukkan pipa ke dalam bodi mesin sepenuhnya, lalu sejajarkan lubang pada pipa dengan lubang pada lubang pada bodi mesin.

► **Gbr.9:** 1. Lubang 2. Pipa

4. Kencangkan 3 baut menggunakan kunci L.

► **Gbr.10:** 1. Baut

5. Kendurkan 2 baut, lalu lepaskan 1 baut.

► **Gbr.11:** 1. Baut

6. Kendurkan cincin pengunci dengan memutar cincin pengunci berlawanan arah jarum jam, lalu perpanjang pipa sekitar 10 cm atau lebih, kemudian kencangkan cincin pengunci dengan memutarnya searah jarum jam.

► **Gbr.12:** 1. Cincin pengunci 2. 10 cm atau lebih 3. Pipa

7. Masukkan pipa ke dalam kepala mesin sepenuhnya, lalu sejajarkan lubang pada pipa dengan lubang pada lubang pada kepala mesin.

► **Gbr.13:** 1. Lubang 2. Pipa

8. Kencangkan 2 baut menggunakan kunci L.

► **Gbr.14:** 1. Baut

Memasang dan melepas rantai gergaji

⚠PERHATIAN: Rantai gergaji dan bilah pemandu masih panas sesaat setelah pemakaian. Biarkan hingga cukup dingin sebelum melakukan tindakan apa pun pada mesin.

⚠PERHATIAN: Lakukan prosedur pemasangan atau pelepasan rantai gergaji pada tempat yang bersih bebas dari serbuk gergaji dan sejenisnya.

Memasang rantai gergaji

Untuk memasang rantai gergaji, lakukan langkah-langkah berikut ini:

1. Longgarkan sekrup penyetel rantai, lalu mur penahan.

► **Gbr.15:** 1. Mur penahan 2. Sekrup penyetel rantai 3. Penutup sproket

2. Lepas penutup sproket.

3. Periksa arah rantai gergaji. Cocokkan arah rantai gergaji dengan tanda pada bodi mesin.

► **Gbr.16:** 1. Tanda pada bodi rantai gergaji

4. Pasang satu ujung rantai gergaji pada bilah pemandu atas. Pasang ujung lainnya dari rantai gergaji di sekitar sproket. Pastikan rantai gergaji terpasang dengan benar pada sproket dan terpasang dengan benar di alur bilah pemandu.

5. Pasang bilah pemandu ke bodi mesin, sejajarkan lubang pada bilah pemandu dengan pin pada bodi mesin.

► **Gbr.17:** 1. Lubang 2. Sproket

6. Masukkan tonjolan pada tutup sproket ke bodi mesin, lalu tutup penutup sehingga baut dan pin pada mesin terpasang dengan pas pada penutup.

► **Gbr.18:** 1. Penutup sproket 2. Tonjolan 3. Baut 4. Pasak

7. Kencangkan mur penahan untuk mengencangkan penutup sproket, longgarkan sedikit untuk menyesuaikan tegangan.

► **Gbr.19:** 1. Mur penahan

Setelah memasang rantai gergaji, setel tegangan rantai gergaji sesuai dengan bagian untuk menyetel tegangan rantai gergaji.

Melepaskan rantai gergaji

Untuk melepaskan rantai gergaji, lakukan langkah-langkah berikut ini:

1. Longgarkan sekrup penyetel rantai, lalu mur penahan.

► **Gbr.20:** 1. Mur penahan 2. Sekrup penyetel rantai

2. Lepaskan penutup sproket, lalu lepaskan rantai gergaji dan bilah pemandu dari bodi mesin.

Menyetel kekencangan rantai gergaji

⚠PERHATIAN: Jangan mengencangkan rantai gergaji terlalu kuat. Rantai gergaji yang terlalu tegang dapat menyebabkan kerusakan pada rantai gergaji dan keausan pada bilah pemandu.

⚠PERHATIAN: Rantai yang terlalu kendur dapat terlempar keluar dari bilah sehingga dapat mengakibatkan cedera atau kecelakaan.

Rantai gergaji mungkin akan menjadi kendur setelah beberapa jam pemakaian. Periksa kekencangan rantai gergaji secara berkala sebelum digunakan.

1. Longgarkan sedikit mur penahan untuk sedikit melonggarkan penutup sproket.

► **Gbr.21:** 1. Mur penahan

2. Angkat sedikit tepi bilah pemandu dan sesuaikan tegangan rantai. Putar sekrup penyetel rantai berlawanan arah jarum jam untuk mengencangkan, atau putar searah jarum jam untuk mengendurkan.

Kencangkan rantai gergaji hingga bagian bawah rantai gergaji pas pada rel bilah pemandu seperti ditunjukkan pada gambar.

► **Gbr.22:** 1. Bilah pemandu 2. Rantai Gergaji 3. Sekrup penyetel rantai

3. Tetap tahan bilah pemandu dengan hati-hati dan pasang penutup sproket.

Pastikan rantai gergaji tidak kendur pada bagian sisi bawah.

4. Kencangkan mur penahan untuk mengencangkan penutup sproket.

► **Gbr.23:** 1. Mur penahan

PENGUNAAN

Pelumasan

PEMBERITAHUAN: Ketika mengisi oli rantai untuk pertama kalinya, atau mengisi ulang tangki setelah benar-benar kosong, tambahkan oli hingga tepi bawah leher filter. Jika tidak, penyaluran oli dapat terganggu.

PEMBERITAHUAN: Gunakan oli rantai gergaji khusus untuk gergaji mesin Makita atau oli setara yang tersedia di pasaran.

PEMBERITAHUAN: Jangan pernah gunakan oli yang mengandung debu dan partikel atau minyak atsiri.

PEMBERITAHUAN: Ketika memangkas pohon, gunakan oli botani. Oli berbasis mineral dapat membahayakan pohon.

PEMBERITAHUAN: Sebelum pengerjaan pemotongan dilakukan, pastikan bahwa tutup tangki oli yang tersedia telah disekrup pada tempatnya.

Rantai gergaji secara otomatis terlumasi ketika mesin sedang beroperasi. Periksa jumlah oli yang tersisa pada tangki oli secara rutin.

► **Gbr.24:** 1. Tangki oli

Untuk mengisi ulang tangki, letakkan mesin di permukaan yang rata, lalu tekan tombol pada tutup tangki oli sehingga tombol di sisi lainnya berdiri, lalu lepaskan tutup tangki oli dengan cara memutarinya. Jumlah oli yang diperlukan adalah 160 ml. Setelah mengisi ulang tangki, pastikan tutup tangki oli dikencangkan dengan sempurna.

► **Gbr.25:** 1. Tutup tangki oli 2. Kencangkan 3. Kendurkan

CATATAN: Jika sulit untuk melepas tutup tangki oli, masukkan kunci busi ke dalam slot tutup tangki oli, lalu lepaskan tutup tangki oli dengan cara memutarinya berlawanan arah jarum jam.

► **Gbr.26:** 1. Slot 2. Kunci busi

Setelah mengisi ulang tangki, tetap jauhkan mesin dari pohon. Hidupkan dan tunggu hingga pelumasan rantai gergaji mencukupi.

► **Gbr.27**

Memasang harness bahu

PERHATIAN: Saat Anda menggunakan mesin bersama dengan pasokan daya tipe ransel seperti paket daya portabel, jangan gunakan harness bahu yang disertakan dalam paket mesin, tetapi gunakan pita penggantung yang direkomendasikan oleh Makita.

Jika Anda mengenakan harness bahu yang disertakan dalam paket mesin dan harness bahu dari pasokan daya tipe ransel pada saat yang bersamaan, melepas mesin atau pasokan daya tipe ransel akan sulit jika terjadi keadaan darurat sehingga dapat menyebabkan kecelakaan atau cedera. Untuk pita penggantung yang direkomendasikan, tanyakan ke Pusat Layanan Resmi Makita.

PERHATIAN: Selalu gunakan harness bahu yang terpasang pada mesin ini. Sebelum mengoperasikan, setel harness bahu sesuai dengan ukuran pengguna untuk mencegah kelelahan.

PERHATIAN: Sebelum mengoperasikan, pastikan harness bahu terpasang dengan benar ke gantungan pada mesin.

PERHATIAN: Sebelum pengoperasian, pastikan gesper pada harness bahu telah dikencangkan dengan kuat.

PERHATIAN: Selalu gunakan harness bahu khusus untuk mesin ini. Jangan gunakan harness bahu lain.

1. Pakailah harness bahu dan kencangkan gesper.

► **Gbr.28:** 1. Gesper

CATATAN: Saat melepaskan harness bahu, buka gesper, lalu lepaskan harness bahu.

2. Setel harness bahu ke posisi kerja yang nyaman.

► **Gbr.29**

3. Jepit kait pada harness bahu ke gantungan mesin.

► **Gbr.30:** 1. Kait 2. Gantungan

Harness bahu dilengkapi dengan metode pelepasan cepat. Cukup tekan sisi gesper untuk melepas harness bahu.

► **Gbr.31:** 1. Gesper

Bekerja dengan mesin

⚠️ PERHATIAN: Jauhkan bagian tubuh Anda dari rantai gergaji saat motor sedang bekerja.

⚠️ PERHATIAN: Pegang mesin kuat-kuat dengan kedua tangan saat mesin ini berjalan.

⚠️ PERHATIAN: Jangan meraih terlalu jauh. Selalu jagalah pijakan dan keseimbangan.

⚠️ PERHATIAN: Saat memotong cabang, berhati-hatilah agar tidak kehilangan keseimbangan akibat bobot kepala mesin.

⚠️ PERHATIAN: Selalu perhatikan jalur untuk menghindari apabila ada cabang yang jatuh ke arah operator.

⚠️ PERHATIAN: Jangan memotong menggunakan ujung bilah pemandu. Jika tidak, dapat terjadi hentakan balik, dan akan mengakibatkan cedera diri.

PEMBERITAHUAN: Jangan melempar atau menjatuhkan mesin.

PEMBERITAHUAN: Jangan menutupi ventilasi mesin.

PEMBERITAHUAN: Jangan memaksa mesin. Hal tersebut dapat merusak mesin.

Berdirilah di atas permukaan yang stabil, dan pegang mesin jauh dari cabang sehingga sudut mesin terhadap permukaan horizontal menjadi sebesar 60° atau kurang.

► **Gbr.32:** 1. 60° atau kurang

Hidupkan mesin, lalu tekan rantai gergaji ke cabang secara perlahan.

Untuk mengontrol posisi jatuh dari cabang yang ukurannya panjang, bagi cabang yang akan dipotong menjadi beberapa bagian, lalu mulai potong dari ujung cabangnya. Perhatikan cabang yang jatuh karena dapat memantul ke arah operator setelah menghantam tanah.

► **Gbr.33**

Ketika memotong ranting yang tebal, pertama-tama lakukan potongan dangkal di bagian bawah lalu bereskan pemotongan dari atas.

► **Gbr.34**

Jika Anda mencoba memotong ranting yang tebal dari bawah, ranting akan terjatuh di dekat Anda dan menjepit rantai gergaji saat pemotongan. Jika Anda mencoba untuk memotong ranting yang tebal dari atas tanpa potongan dangkal di bagian bawah, ranting dapat terpecah.

► **Gbr.35**

Membawa mesin

Sebelum mengangkat mesin, selalu keluarkan kartrid baterai dari mesin, lalu pasang penutup bilah pemandu, dan perpendek pipa. Kemudian, tutup kartrid baterai dengan penutup baterai.

► **Gbr.36:** 1. Penutup bilah pemandu 2. Kotak baterai

Menggunakan mesin dengan paket daya portabel

Pilihan aksesoris

Gunakan pita gantung ketika Anda menggunakan mesin dengan paket daya portabel.

Memasang pita gantung

1. Pasang kait pita gantung ke cincin-cincin harness bahu atau ikat pinggang seperti yang ditunjukkan pada gambar. Pilih jenis pita dan metode penyambungan yang sesuai untuk penggunaan Anda.

► **Gbr.37:** 1. Cincin 2. Kait

► **Gbr.38:** 1. Cincin 2. Kait

2. Pasang kait ke mesin.

► **Gbr.39:** 1. Kait

Melepaskan mesin

Saat menurunkan mesin, buka kunci gesper pada pita penggantung dengan satu tangan sembari tangan lainnya memegang mesin.

► **Gbr.40:** 1. Gesper

CATATAN: Gesper tidak disertakan tergantung pada jenis pita.

Jika Anda perlu melepaskan mesin dengan cepat, ikuti langkah-langkah di bawah.

1. Dorong tuas pada gesper ikat pinggang untuk membuka kunci gesper.

► **Gbr.41:** 1. Gesper 2. Tuas

2. Lepaskan harness bahu untuk melepaskan mesin dan unit.

► **Gbr.42:** 1. Harness bahu

PERAWATAN

⚠️ PERHATIAN: Selalu pastikan bahwa mesin dimatikan dan kartrid baterai dilepas sebelum melakukan pemeriksaan atau perawatan.

⚠️ PERHATIAN: Selalu gunakan sarung tangan saat melakukan pemeriksaan atau pemeliharaan.

PEMBERITAHUAN: Jangan sekali-kali menggunakan bensin, tiner, alkohol, atau bahan sejenisnya. Penggunaan bahan demikian dapat menyebabkan perubahan warna, perubahan bentuk atau timbulnya retakan.

Untuk menjaga KEAMANAN dan KEANDALAN mesin, perbaikan, perawatan atau penyetulan lainnya harus dilakukan oleh Pusat Layanan Resmi atau Pabrik Makita; selalu gunakan suku cadang pengganti buatan Makita.

Mengasah rantai gergaji

Asah rantai gergaji saat:

- Serbuk gergaji yang mengental terbentuk saat kayu yang basah dipotong;
- Rantai kesulitan menembus kayu, bahkan ketika menggunakan tekanan keras;
- Tepi pemotongnya benar-benar rusak;
- Gergaji bergerak ke kiri atau kanan di dalam kayu. (disebabkan oleh pengasahan rantai gergaji yang tidak rata atau terdapat kerusakan pada satu sisinya)

Asah rantai gergaji secara teratur tetapi sebentar saja. Dua atau tiga asahan dengan menggunakan kikir sudah cukup untuk pengasahan rutin. Ketika rantai gergaji telah diasah beberapa kali, bawalah ke pusat layanan resmi kami untuk dilakukan pengasahan.

Kriteria pengasahan:

⚠️PERINGATAN: Jarak yang terlalu lebar antara tepi pemotongan dan pengukur kedalaman akan meningkatkan risiko hentakan balik.

- ▶ **Gbr.43:** 1. Panjang pemotong 2. Jarak antara tepi pemotongan dan pengukur kedalaman 3. Panjang pemotong minimum (3 mm)
- Panjang semua pemotong harus sama. Perbedaan panjang pemotong dapat membuat rantai gergaji tidak berjalan mulus dan mungkin dapat menyebabkan rantai gergaji putus.
- Jangan menajamkan rantai jika panjang pemotong telah mencapai 3 mm atau lebih pendek. Rantai harus diganti dengan yang baru.
- Ketebalan serpihan kayu ditentukan oleh jarak antara pengukur kedalaman (hidung bulat) dan tepi pemotongan.
- Hasil pemotongan terbaik diperoleh dengan mengikuti jarak antara tepi pemotongan dan pengukur kedalaman berikut ini.
 - Pisau rantai 90PX : 0,65 mm
 - Pisau rantai 91PX : 0,65 mm
- ▶ **Gbr.44**
- Sudut pengasahan 30° harus sama pada semua alat potong. Perbedaan sudut alat potong menyebabkan rantai bergerak kasar dan tidak merata, mempercepat keausan, dan menyebabkan rantai putus.
- Gunakan kikir bulat yang sesuai sehingga sudut pengasahan yang tepat tetap terjaga terhadap gergajinya.
 - Mata pisau rantai 90PX : 55°
 - Mata pisau rantai 91PX : 55°

Kikir dan pengarah kikir

- Gunakan kikir bulat khusus (pilihan aksesoris) rantai gergaji untuk mengasah rantai. Kikir bulat yang normal tidak cocok digunakan.
- Diameter kikir bulat untuk tiap rantai gergaji adalah sebagai berikut:
 - Pisau rantai 90PX : 4,5 mm
 - Pisau rantai 91PX : 4,0 mm
- Kikir hanya boleh digunakan pada alat potong dengan gerakan ke arah depan. Angkat kikir dari alat potong pada gerakan balik.

- Asah alat potong yang paling pendek terlebih dahulu. Kemudian panjang pemotong paling pendek ini menjadi standar untuk semua alat potong lain pada rantai gergaji ini.
 - Arahkan kikir seperti ditunjukkan pada gambar.
- ▶ **Gbr.45:** 1. Kikir 2. Rantai Gergaji

- Kikir dapat diarahkan dengan mudah jika pemegang kikir (pilihan aksesoris) digunakan. Pemegang kikir memiliki tanda untuk sudut pengasahan yang tepat 30° (luruskan tanda sejajar dengan rantai gergaji) dan membatasi kedalaman penetrasi (hingga 4/5 dari diameter kikir).

- ▶ **Gbr.46:** 1. Pemegang kikir

- Setelah mengasah rantai, periksa ketinggian pengukur kedalaman menggunakan alat pengukur rantai (pilihan aksesoris).

- ▶ **Gbr.47**

- Buang segala bahan yang menonjol, meskipun kecil, dengan kikir datar khusus (pilihan aksesoris).
- Ratakan bagian depan pengukur kedalaman.

Membersihkan bilah pemandu

Serpihan kayu dan serbuk gergaji akan menumpuk pada alur bilah pemandu. Hal itu dapat menyumbat alur bilah dan menghalangi aliran oli. Bersihkan serpihan kayu dan serbuk gergaji setiap kali Anda mengasah atau mengganti rantai gergaji.

- ▶ **Gbr.48**

Membersihkan penutup sproket

Serpihan kayu dan serbuk gergaji akan terkumpul di dalam penutup sproket. Lepaskan penutup sproket dan rantai gergaji dari mesin kemudian bersihkan serpihan kayu dan serbuk gergajinya.

- ▶ **Gbr.49**

Bersihkan lubang buang oli

Debu atau partikel berukuran kecil mungkin akan menumpuk pada lubang buang oli selama pengoperasian. Debu atau partikel ini dapat mengganggu aliran oli dan menyebabkan pelumasan yang kurang mencukupi pada seluruh rantai gergaji. Ketika penyebaran oli rantai yang buruk terjadi pada bagian atas bilah pemandu, bersihkan lubang buang oli sebagai berikut.

1. Lepas penutup sproket dan rantai gergaji dari mesin.
 2. Bersihkan debu atau partikel kecil menggunakan obeng minus atau sejenisnya.
- ▶ **Gbr.50:** 1. Obeng bermata celah 2. Lubang buang oli

3. Masukkan kartrid baterai ke dalam mesin. Tarik pelatuk sakelar untuk mengalirkan debu atau partikel yang terbentuk pada lubang buang oli dengan cara mengeluarkan oli rantai.

4. Lepas kartrid baterai dari mesin. Pasang ulang penutup sproket dan rantai gergaji pada mesin.

Mengganti sproket

⚠️ PERHATIAN: Sproket yang aus akan merusak rantai gergaji baru. Ganti sproket untuk kasus ini.

Sebelum memasang rantai gergaji baru, periksa kondisi sproket. Jika sproket aus atau rusak, hubungi Pusat Layanan Resmi Makita untuk penggantian.

► **Gbr.51:** 1. Sproket 2. Area keausan

Menyimpan mesin

1. Bersihkan mesin sebelum disimpan. Bersihkan segala serpihan kayu dan serbuk gergaji dari mesin setelah melepas penutup sproket.
2. Setelah membersihkan mesin, jalankan mesin tanpa beban untuk melumasi rantai gergaji dan bilah pemandu.
3. Tutup bilah pemandu dengan penutup bilah pemandu, lalu perpendek pipa.
4. Kosongkan tangki oli.

Petunjuk untuk pemeliharaan berkala

Untuk memastikan usia pakai yang panjang, menghindari kerusakan, dan memastikan fitur keselamatan berfungsi, pemeliharaan berikut harus dilakukan secara teratur dan benar. Kegagalan untuk melakukan pekerjaan pemeliharaan yang telah ditentukan dapat menyebabkan kecelakaan! Pengguna mesin tidak boleh melakukan pekerjaan pemeliharaan yang tidak dijelaskan dalam petunjuk penggunaan. Semua pekerjaan tersebut harus dilakukan oleh pusat layanan resmi kami.

Item pemeriksaan / Waktu pengoperasian		Sebelum penggunaan	Setiap hari	Setiap minggu	Setiap 3 bulan	Tahunan	Sebelum penyimpanan
Keseluruhan mesin	Pemeriksaan.	✓	-	-	-	-	-
	Pembersihan.	-	✓	-	-	-	-
	Periksa di pusat layanan resmi.	-	-	-	-	✓	✓
Rantai Gergaji	Pemeriksaan.	✓	-	-	-	-	-
	Lakukan pengasahan jika diperlukan.	-	-	-	-	-	✓
Bilah pemandu	Pemeriksaan.	✓	✓	-	-	-	-
	Lepaskan dari mesin.	-	-	-	-	-	✓
Pelumasan rantai	Periksa laju pemakaian oli.	✓	-	-	-	-	-
Pelatak sakelar	Pemeriksaan.	✓	-	-	-	-	-
Tuas buka kunci	Pemeriksaan.	✓	-	-	-	-	-
Tutup tangki oli	Periksa kekencangan.	✓	-	-	-	-	-
Baut dan mur	Pemeriksaan.	-	-	✓	-	-	-

PEMECAHAN MASALAH

Sebelum meminta perbaikan, lakukan pemeriksaan mandiri terlebih dahulu. Jika Anda menemukan masalah yang tidak dijelaskan dalam buku petunjuk ini, jangan coba membongkar mesin. Sebaliknya, hubungi Pusat Servis Resmi Makita, dan selalu gunakan suku cadang pengganti Makita untuk perbaikan.

Status kerusakan fungsi	Penyebab	Tindakan
Mesin tidak menyala.	Kartrid baterai tidak terpasang.	Pasang kartrid baterai yang telah terisi daya.
	Masalah baterai (tegangan rendah).	Isi ulang daya kartrid baterai. Jika pengisian ulang daya tidak berhasil, gantilah kartrid baterai.
	Sakelar daya utama mati.	Mesin akan secara otomatis mati jika mesin tidak dioperasikan selama periode tertentu. Hidupkan sakelar daya utama lagi.
Motor berhenti setelah digunakan sebentar.	Daya baterai rendah.	Isi ulang daya kartrid baterai. Jika pengisian ulang daya tidak berhasil, gantilah kartrid baterai.
Tidak ada oli pada rantai.	Tangki oli kosong.	Isi tangki oli.
	Alur arah oli kotor.	Bersihkan alurnya.
Mesin tidak mencapai RPM maksimum.	Kartrid baterai dipasang secara tidak tepat.	Pasang kartrid baterai sebagaimana diuraikan dalam buku petunjuk ini.
	Daya baterai menurun.	Isi ulang daya kartrid baterai. Jika pengisian ulang daya tidak berhasil, gantilah kartrid baterai.
	Sistem penggerak tidak bekerja secara benar.	Tanyakan pada pusat layanan resmi di tempat Anda untuk memperbaikinya.
Lampu daya utama berkedip hijau.	Pelatuk sakelar ditarik dalam kondisi tidak dapat dioperasikan.	Tarik pelatuk sakelar setelah sakelar daya utama dihidupkan.
Getaran tidak normal: Segera hentikan mesin!	Kendur bilah pemandu atau rantai gergaji.	Setel bilah pemandu dan kekencangan rantai gergaji.
	Kerusakan fungsi mesin.	Tanyakan pada pusat layanan resmi di tempat Anda untuk memperbaikinya.
Rantai gergaji tidak dapat dipasang.	Kombinasi rantai gergaji dan sproket salah.	Gunakan kombinasi rantai gergaji dan sproket yang benar sesuai dengan yang tercantum di bagian spesifikasi.

AKSESORI PILIHAN

PERHATIAN: Dianjurkan untuk menggunakan aksesoris atau perangkat tambahan ini dengan mesin Makita Anda yang ditentukan dalam petunjuk ini. Penggunaan aksesoris atau perangkat tambahan lain bisa menyebabkan risiko cedera pada manusia. Hanya gunakan aksesoris atau perangkat tambahan sesuai dengan peruntukannya.

PERINGATAN: Jika Anda membeli bilah pemandu dengan panjang yang berbeda dari standar, beli juga penutup bilah pemandu yang sesuai dengannya. Penutup harus cocok dan menutup bilah pemandu mesin sepenuhnya.

CATATAN: Beberapa item dalam daftar tersebut mungkin sudah termasuk dalam paket mesin sebagai aksesoris standar. Hal tersebut dapat berbeda dari satu negara ke negara lainnya.

Jika Anda memerlukan bantuan lebih rinci berkenaan dengan aksesoris ini, tanyakan pada Pusat Layanan Makita terdekat.

- Rantai Gergaji
- Bilah pemandu
- Penutup bilah pemandu
- Kikir
- Baterai dan pengisi daya asli Makita

SPEKIFIKASI

Model:		UA004G
Panjang keseluruhan (tanpa bar panduan dan bateri)		2,516 - 3,748 mm
Voltan terkadar		D.C. 36 V - 40 V maks
Berat bersih	*1	7.8 kg
	*2	7.8 - 8.5 kg
Panjang bar panduan standard		300 mm
Panjang bar panduan yang disyorkan	dengan 90PX	250 - 300 mm
	dengan 91PX	250 - 300 mm
Jenis gergaji rantai yang boleh digunakan (rujuk pada jadual)		90PX 91PX
Gegancu standard	Bilangan gigi	6
	Jarak gigi	3/8"
Kelajuan rantai		0 - 20 m/s (0 - 1,200 m/min)
Isi padu tangki minyak rantai		160 cm ³
Tahap perlindungan		IPX4

- Disebabkan program penyelidikan dan pembangunan kami yang berterusan, spesifikasi yang terkandung di dalam ini adalah tertakluk kepada perubahan tanpa notis.
- Spesifikasi mungkin berbeza mengikut negara.

*1: Berat, dengan kartrij bateri terbesar dan tangki minyak kosong, dan tanpa bar panduan, rantai, dan abah-abah bahu, menurut EN ISO11680-1.

*2: Gabungan berat yang paling ringan dan berat, menurut Prosedur EPTA 01/2014. Berat mungkin berbeza bergantung kepada pemasangan, termasuk kartrij bateri.

Kartrij bateri dan pengecas yang boleh digunakan

Kartrij bateri	BL4020 / BL4025 / BL4040* / BL4050F* * : Bateri yang disyorkan
Pengecas	DC40RA / DC40RB / DC40RC

- Sesetengah kartrij bateri dan pengecas yang disenaraikan di atas mungkin tidak tersedia bergantung pada kawasan kediaman anda.

⚠AMARAN: Gunakan hanya kartrij bateri dan pengecas yang disenaraikan di atas. Penggunaan mana-mana kartrij bateri dan pengecas yang lain mungkin menyebabkan kecederaan dan/atau kebakaran.

Sumber kuasa bersambung kord yang disyorkan

Pek kuasa mudah alih	PDC01 / PDC1200
----------------------	-----------------

- Sumber kuasa bersambung kord yang disenaraikan di atas mungkin tidak tersedia bergantung pada kawasan kediaman anda.
- Sebelum menggunakan sumber kuasa bersambung kord, baca arahan dan tanda peringatan.

Gabungan rantai gergaji, bar panduan, dan gegancu











Jenis rantai gergaji		90PX
Bilangan mata rantai		46
Bar panduan	Panjang bar panduan	300 mm
	Panjang potongan	296 mm
	Jarak mata rantai	3/8"
	Tolok	1.1 mm
	Jenis	Bar muncung gegancu
Gegancu	Bilangan gigi	6
	Jarak mata rantai	3/8"

Jenis rantai gergaji		91PX
Bilangan mata rantai		46
Bar panduan	Panjang bar panduan	300 mm
	Panjang potongan	296 mm
	Jarak mata rantai	3/8"
	Tolok	1.3 mm
	Jenis	Bar muncung gegancu
Gegancu	Bilangan gigi	6
	Jarak mata rantai	3/8"

⚠️ AMARAN: Gunakan gabungan bar panduan dan rantai gergaji yang betul. Atau tidak, kecederaan diri boleh berlaku.

Simbol

Berikut menunjukkan simbol-simbol yang boleh digunakan untuk alat ini. Pastikan anda memahami maksudnya sebelum menggunakan.

	Baca manual arahan.
	Pakai topi keledar, gogal dan pelindung telinga.
	Pakai sarung tangan pelindungan.
	Pakai but yang tegap dengan tapak tak gelincir. But keselamatan bahagian jari kaki keluli adalah disyorkan.
	Berhati-hati dengan wayar elektrik, risiko kejutan elektrik.
	Kekalkan jarak sekurang-kurangnya 15 m.
	Panjang potongan terizin maksimum
	Arah gerakan rantai
	Tangki minyak rantai
	Permukaan panas - Luka terbakar pada jari atau tangan.



Hanya untuk negara-negara EU
Disebabkan kehadiran komponen berbahaya dalam peralatan, sisa peralatan elektrik dan elektronik, akumulator dan bateri boleh memberi kesan negatif terhadap persekitaran dan kesihatan manusia.

Jangan buang alat elektrik dan elektronik atau bateri bersama dengan bahan buangan isi rumah!

Mengikut Arahan Eropah mengenai sisa peralatan elektrik dan elektronik dan mengenai akumulator dan bateri dan sisa akumulator dan bateri serta penyesuaian dengan undang-undang negara, sisa peralatan elektrik, bateri dan akumulator hendaklah disimpan secara berasingan dan dihantar ke tempat pengumpulan berasingan untuk sisa perbandaran, beroperasi mengikut peraturan perlindungan persekitaran.

Ini ditunjukkan oleh simbol tong sampah beroda yang bersilang pada peralatan.



Aras kuasa bunyi terjamin menurut Arahan Redam Di Luar Kesatuan Eropah.



Aras kuasa bunyi menurut Peraturan Kawalan Redam NSW, Australia

Tujuan penggunaan

Alat ini bertujuan untuk pemangkasan dahan dan cabang.

AMARAN KESELAMATAN

Amaran keselamatan umum alat kuasa

⚠️ AMARAN: Baca semua amaran keselamatan, arahan, ilustrasi dan spesifikasi yang disediakan dengan alat kuasa ini. Kegagalan mengikut amaran dan arahan boleh menyebabkan kejutan elektrik, kebakaran dan/atau kecederaan serius.

Simpan semua amaran dan arahan untuk rujukan masa depan.

Istilah "alat kuasa" dalam amaran merujuk kepada alat kuasa yang menggunakan tenaga elektrik (kabel) atau alat kuasa yang menggunakan bateri (tanpa kord).

Keselamatan kawasan kerja

1. **Pastikan kawasan kerja bersih dan terang.** Kawasan berselerak atau gelap mengundang kemalangan.
2. **Jangan kendalikan alat kuasa dalam keadaan yang mudah meletup, seperti dalam kehadiran cecair, gas atau habuk yang mudah terbakar.** Alat kuasa menghasilkan percikan api yang boleh menyalakan debu atau wasap.
3. **Jauhkan kanak-kanak dan orang ramai semasa mengendalikan alat kuasa.** Gangguan boleh menyebabkan anda hilang kawalan.

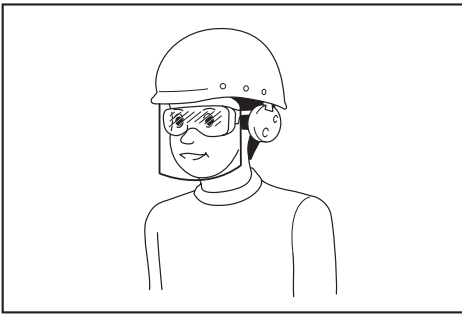
Keselamatan elektrik

1. **Palam alat kuasa mesti sepadan dengan soket.** Jangan ubah suai palam dalam apa cara sekalipun. Jangan gunakan sebarang palam penyesuai dengan alat kuasa terbumi. Palam yang tidak diubah suai dan soket yang sepadan akan mengurangkan risiko kejutan elektrik.
2. **Elakkan sentuhan badan dengan permukaan terbumi, seperti paip, radiator, dapur dan peti sejuk.** Terdapat peningkatan risiko kejutan elektrik jika elektrik terbumi terkena badan anda.
3. **Jangan biarkan alat kuasa terkena hujan atau basah.** Air yang memasuki alat kuasa akan meningkatkan risiko kejutan elektrik.
4. **Jangan salah gunakan kord.** Jangan gunakan kord untuk membawa, menarik atau mencabut palam alat kuasa. Jauhkan kord dari haba, minyak, bucu tajam atau bahagian yang bergerak. Kord yang rosak atau tersimpul meningkatkan risiko kejutan elektrik.
5. **Semasa mengendalikan alat kuasa di luar, gunakan kord sambungan yang bersesuaian untuk kegunaan luar.** Penggunaan kord yang sesuai untuk kegunaan luar mengurangkan risiko kejutan elektrik.
6. **Sekiranya pengendalian alat kuasa di lokasi lembap tidak dapat dielakkan, gunakan bekalan peranti arus sisa (RCD) yang dilindungi.** Penggunaan RCD mengurangkan risiko kejutan elektrik.

7. **Alat kuasa boleh menghasilkan medan elektromagnetik (EMF) yang tidak berbahaya kepada pengguna.** Walau bagaimanapun, pengguna perentak jantung atau peranti perubatan yang serupa harus menghubungi pembuat peranti mereka dan/atau doktor untuk nasihat sebelum mengendalikan alat kuasa ini.

Keselamatan diri

1. **Sentiasa berwaspada, perhatikan apa yang anda lakukan dan guna akal budi semasa mengendalikan alat kuasa. Jangan gunakan alat kuasa semasa anda letih atau di bawah pengaruh dadah, alkohol atau ubat.** Kelekaan seketika semasa mengendalikan alat kuasa boleh menyebabkan kecederaan diri yang serius.
2. **Gunakan peralatan pelindung diri. Sentiasa pakai pelindung mata.** Peralatan pelindung seperti topeng debu, kasut keselamatan tak mudah tergelincir, topi keselamatan atau pelindung pendengaran yang digunakan untuk keadaan yang sesuai akan mengurangkan kecederaan diri.
3. **Elakkan permulaan yang tidak disengajakan. Pastikan suis ditutup sebelum menyambung kepada sumber kuasa dan/atau pek bateri, semasa mengangkat atau membawa alat.** Membawa alat kuasa dengan jari anda pada suis atau menahan alat kuasa dengan suis pada kedudukan hidup mengundang kemalangan.
4. **Alihkan sebarang kunci atau sepana pelaras sebelum menghidupkan alat kuasa.** Sepana atau kunci yang ditinggalkan pada bahagian berputar alat kuasa boleh menyebabkan kecederaan diri.
5. **Jangan lampau jangkau. Jaga pijakan dan keseimbangan yang betul pada setiap masa.** Ini membolehkan kawalan alat kuasa yang lebih baik dalam situasi yang tidak dijangka.
6. **Berpakaian dengan betul. Jangan pakai pakaian yang longgar atau barang kemas. Jauhkan rambut dan pakaian anda dari bahagian yang bergerak.** Pakaian longgar, barang kemas atau rambut yang panjang boleh terperangkap dalam bahagian yang bergerak.
7. **Jika peranti disediakan untuk sambungan kemudahan pengekstrakan dan pengumpulan habuk, pastikan ia disambung dan digunakan dengan betul.** Penggunaan pengumpulan habuk boleh mengurangkan bahaya berkaitan habuk.
8. **Jangan biarkan kebiasaan daripada kekerapan penggunaan alat membuatkan anda berpuas hati dan mengabaikan prinsip keselamatan alat.** Keceuaian boleh menyebabkan kecederaan serius dalam sekelip mata.
9. **Sentiasa pakai gogal pelindung untuk melindungi mata anda daripada kecederaan apabila menggunakan alat kuasa.** Gogal mestilah mematuhi ANSI Z87.1 di AS, EN 166 di Eropah, atau AS/NZS 1336 di Australia/New Zealand. Di Australia/New Zealand, undang-undang mengarahkan untuk memakai pelindung muka bagi melindungi muka anda, juga.



Menjadi tanggungjawab majikan untuk menguatkuasa penggunaan peralatan perlindungan keselamatan yang bersesuaian oleh pengendali alat dan oleh orang lain dalam kawasan bekerja semasa.

Penggunaan dan penjagaan alat kuasa

1. **Jangan gunakan alat kuasa dengan kasar. Gunakan alat kuasa yang betul untuk penggunaan anda.** Alat kuasa yang betul akan melakukan tugas dengan lebih baik dan lebih selamat pada kadar mana ia direka cipta.
2. **Jangan gunakan alat kuasa jika suis tidak berfungsi untuk menghidupkan dan mematikannya.** Alat kuasa yang tidak dapat dikawal dengan suis adalah berbahaya dan mesti dibaiki.
3. **Cabut palam dari sumber kuasa dan/atau keluarkan pek bateri, jika boleh ditanggalkan, dari alat kuasa sebelum membuat sebarang pelarasan, menukar aksesori, atau menyimpan alat kuasa.** Langkah-langkah keselamatan pencegahan sedemikian mengurangkan risiko memulakan alat kuasa secara tidak sengaja.
4. **Simpan alat kuasa yang tidak digunakan jauh dari jangkauan kanak-kanak dan jangan biarkan orang yang tidak biasa dengan alat kuasa atau arahan ini untuk mengendalikan alat kuasa.** Alat kuasa adalah berbahaya di tangan pengguna yang tidak terlatih.
5. **Menyelenggara alat kuasa dan aksesori. Periksa salah jajaran atau ikatan pada bahagian yang bergerak, bahagian yang pecah dan apa-apa keadaan lain yang boleh menjejaskan operasi alat kuasa. Jika rosak,baiki alat kuasa sebelum digunakan.** Kebanyakan kemalangan adalah disebabkan oleh alat kuasa yang tidak dijaga dengan baik.
6. **Pastikan alat pemotong tajam dan bersih.** Alat pemotong yang dijaga dengan betul dengan hujung pemotong yang tajam mempunyai kemungkinan yang rendah untuk terikat dan lebih mudah dikendalikan.
7. **Gunakan alat kuasa, aksesori dan alat bit dan sebagainya mengikut arahan ini dengan mengambil kira keadaan kerja dan kerja yang perlu dilakukan.** Penggunaan alat kuasa untuk operasi yang berbeza dari yang dimaksudkan boleh menyebabkan keadaan berbahaya.

8. **Pastikan pemegang dan permukaan pegangan kering, bersih dan bebas dari minyak dan gris.** Pemegang dan permukaan pegangan yang licin tidak membolehkan pengendalian dan kawalan selamat bagi alat dalam situasi yang tidak dijangka.
9. **Apabila menggunakan alat, jangan pakai sarung tangan kerja kain yang mungkin boleh kusut.** Kekusutan sarung tangan kerja kain pada bahagian yang bergerak boleh menyebabkan kecederaan diri.

Penggunaan dan penjagaan alat bateri

1. **Cas semula dengan pengecas yang ditentukan oleh pengeluar sahaja.** Pengecas yang sesuai untuk satu jenis pek bateri mungkin menimbulkan risiko kebakaran apabila digunakan dengan pek bateri lain.
2. **Gunakan alat kuasa dengan pek bateri yang ditentukan secara khusus sahaja.** Penggunaan mana-mana pek bateri lain mungkin menimbulkan risiko kecederaan dan kebakaran.
3. **Apabila pek bateri tidak digunakan, jauhkannya daripada objek besi lain, seperti klip kertas, duit syiling, paku, skru atau objek besi kecil lain, yang boleh membuat sambungan dari satu terminal ke yang lain.** Memintas terminal bateri bersama-sama mungkin menyebabkan lecuran atau kebakaran.
4. **Di bawah keadaan kasar, cecair mungkin dikeluarkan daripada bateri; elakkan sentuhan. Jika tersentuh secara tidak sengaja, siram dengan air. Jika cecair terkena mata, dapatkan bantuan perubatan di samping siraman air.** Cecair yang dikeluarkan dari bateri mungkin menyebabkan kegatalan atau lecuran.
5. **Jangan gunakan pek bateri atau alat yang rosak atau diubah suai.** Bateri yang rosak atau diubah suai mungkin menunjukkan perilaku yang tidak dijangka menyebabkan kebakaran, letupan atau risiko kecederaan.
6. **Jangan dedahkan pek bateri atau alat kepada api atau suhu yang berlebihan.** Pendedahan kepada api atau suhu melebihi 130 °C mungkin menyebabkan letupan.
7. **Ikut semua arahan pengecasan dan jangan cas pek bateri atau alat di luar julat suhu yang ditetapkan dalam arahan.** Mengecas dengan tidak betul atau pada suhu di luar julat yang dinyatakan mungkin merosakkan bateri dan meningkatkan risiko kebakaran.

Servis

1. **Pastikan alat kuasa anda diservis oleh orang yang berkelayakan dengan hanya menggunakan alat ganti yang sama.** Ini akan memastikan keselamatan alat kuasa dapat dikekalkan.
2. **Jangan servis pek bateri yang telah rosak.** Servis pek bateri hanya boleh dilakukan oleh pengeluar atau penyedia servis yang sah.
3. **Ikut arahan untuk melincir dan menukar aksesori.**

Amaran Keselamatan Gergaji Tiang Teleskop Tanpa Kord

Langkah berjaga-jaga umum

1. Sebelum memulakan alat, baca arahan ini untuk membiasakan diri dengan pengendalian alat.
2. Jangan meminjamkan alat tersebut kepada orang yang tidak mempunyai pengalaman atau pengetahuan yang mencukupi mengenai pengendalian alat.
3. Apabila meminjamkan alat itu, sentiasa lampirkan manual arahan ini.
4. Jangan biarkan kanak-kanak atau individu di bawah umur 18 tahun menggunakan alat ini. Jauhkan mereka dari alat.
5. Pegang alat dengan penuh berhati-hati dan perhatian.
6. Jangan gunakan alat ini selepas meminum alkohol atau ubat, atau jika merasa letih atau sakit.
7. Jangan cuba mengubah suai alat ini.
8. Jangan gunakan alat ini dalam keadaan cuaca yang buruk terutamanya apabila terdapat risiko kilat. Ini mengurangkan risiko disambar petir.
9. Peraturan kebangsaan mungkin mengehadkan penggunaan alat. Ikut peraturan mengenai pengendalian alat di negara anda.

Peralatan pelindung diri

1. Pakai topi keledar keselamatan, kaca mata dan sarung tangan perlindungan untuk melindungi diri anda dari serpihan terbang atau objek jatuh.
2. Pakai perlindungan telinga seperti lapik telinga untuk mengelakkan kehilangan pendengaran.
3. Pakai pakaian yang sesuai dan kasut untuk operasi yang selamat, seperti baju kerja overal dan kasut tegap yang tidak licin. Jangan memakai pakaian yang longgar atau barang kemas. Pakaian longgar, barang kemas atau rambut yang panjang boleh terperangkap dalam bahagian yang bergerak.
4. Semasa mengendalikan rantai gergaji atau melaraskan ketegangan rantai, pakai sarung tangan pelindung. Gergaji rantai boleh memotong tangan tanpa pelindung dengan teruk.

Keselamatan kawasan kerja

1. Jauhkan alat sekurang-kurangnya 15 m dari wayar elektrik dan kabel komunikasi (termasuk mana-mana dahan yang menyentuhnya). Menyentuh atau mendekati wayar bertvoltan tinggi dengan alat boleh mengakibatkan kematian atau kecederaan serius. Perhatikan wayar elektrik dan pagar elektrik di sekitar kawasan kerja sebelum memulakan operasi.
2. Kendalikan alat di bawah penglihatan yang baik dan keadaan siang sahaja. Jangan kendalikan alat ini dalam kegelapan atau kabus.

3. Semasa operasi, jangan sekali-kali berdiri di atas permukaan yang tidak stabil atau licin atau cerun curam. Semasa musim sejuk, berhati-hati dengan ais dan salji dan sentiasa memastikan pijakan yang selamat.
4. Semasa operasi, pastikan pemerhati atau haiwan berada sekurang-kurangnya 15 m jaraknya dari alat tersebut. Hentikan alat itu sebaik sahaja seseorang mendekati.
5. Semasa bekerja dengan dua orang atau lebih, pastikan jarak sekurang-kurangnya 15 m atau lebih di antara satu sama lain, dan tugaskan seorang penyelia.
6. Sebelum operasi, periksa kawasan kerja jika terdapat pagar dawai, dinding, atau objek pejal lain. Objek tersebut boleh merosakkan rantai gergaji.

Persediaan

1. Sebelum memasang atau melaraskan alat, matikan alat dan keluarkan kartrij bateri.
2. Sebelum mengendalikan rantai gergaji atau melaraskan ketegangan rantai, pakai sarung tangan pelindungan.
3. Sebelum memulakan alat, periksa alat bagi kerosakan, skru/nat longgar atau pemasangan yang tidak betul. Asah rantai gergaji yang tumpul. Jika rantai gergaji bengkok atau rosak, gantikannya. Periksa semua tuil kawalan dan suis untuk tindakan yang mudah. Bersihkan dan keringkan gergam.
4. Jangan sekali-kali cuba untuk memulakan alat jika ia rosak atau tidak dipasang sepenuhnya. Jika tidak, kecederaan serius mungkin berlaku.
5. Laraskan abah-abah bahu untuk disesuaikan dengan saiz badan pengendali.
6. Laraskan ketegangan rantai dengan betul. Isi semula minyak rantai, jika perlu.

Memulakan alat

1. Pakai peralatan pelindung diri sebelum memulakan alat.
2. Sebelum memulakan alat, pastikan bahawa tiada orang atau haiwan di kawasan kerja.
3. Semasa memasang kartrij bateri, jauhkan rantai gergaji dan bar panduan dari badan anda dan objek lain, termasuk tanah. Rantai gergaji boleh bergerak semasa memulakan dan boleh menyebabkan kecederaan serius atau kerosakan pada rantai gergaji dan/atau harta benda.
4. Letakkan alat pada tanah yang keras. Kekalkan keseimbangan yang baik dan pijakan yang kukuh.

Pengendalian

1. Jika berlaku kecemasan, matikan alat ini dengan segera.
2. Jika anda perasan sebarang keadaan yang luar biasa (cth. bunyi bising, getaran) semasa operasi, matikan alat. Jangan gunakan alat sehingga punca diketahui dan diselesaikan.
3. Rantai gergaji terus bergerak dan tempoh yang singkat setelah mematikan alat. Jangan tergesa-gesa untuk menyentuh rantai gergaji.

4. Semasa operasi, gunakan abah-abah bahu. Pastikan alat sentiasa berada di sebelah kanan anda dengan kukuh.
 5. Pegang genggaman depan dengan tangan kiri dan genggaman belakang dengan tangan kanan anda, tidak kira anda bertangan kanan atau kidal. Genggam jari dan ibu jari anda di genggaman.
 6. Pegang alat pada permukaan mencengkam terbebat sahaja, kerana rantai gergaji boleh tersentuh wayar tersembunyi. Rantai gergaji yang bersentuh dengan wayar "hidup" boleh menyebabkan bahagian logam terdedah pemangkas jangkauan luas "hidup" dan boleh memberi kejutan elektrik kepada pengendali.
 7. Jangan sekali-kali cuba mengendalikan alat ini dengan sebelah tangan. Kehilangan kawalan boleh mengakibatkan kecederaan serius atau maut. Untuk mengurangkan risiko kecederaan, jauhkan tangan dan kaki dari rantai gergaji.
 8. Jangan lampau jangkau. Pastikan pijakan dan keseimbangan yang betul pada setiap masa. Perhatikan halangan tersembunyi seperti tunggul pokok, akar dan parit untuk mengelakkan kesulitan. Buang dahan yang jatuh dan benda lain.
 9. Jangan bekerja di atas tangga atau pokok untuk mengelakkan kehilangan kawalan.
 10. Jika alat itu mendapat kesan berat atau jatuh, periksa keadaan sebelum meneruskan kerja. Jika terdapat sebarang kerosakan atau keraguan, tanya pusat servis diiktiraf Makita untuk pemeriksaan dan pembaikan.
 11. Jangan sentuh kepala alat. Kepala alat menjadi panas semasa operasi.
 12. Rehat sebentar untuk mengelakkan hilang kawalan akibat letih. Kami syorkan anda untuk berehat 10 hingga 20 minit setiap jam.
 13. Apabila anda meninggalkan alat itu, walaupun dalam masa yang singkat, sentiasa matikan alat dan keluarkan kartrij bateri. Alat yang berjalan dan tanpa pengawasan mungkin digunakan oleh orang tanpa kebenaran dan menyebabkan kemalangan serius.
 14. Semasa mengendalikan alat, jangan angkat tangan kanan melebihi ketinggian bahu anda.
 15. Semasa operasi, jangan sekali-kali mengenakan rantai gergaji pada halangan keras seperti batu dan paku. Sila lebih berhati-hati semasa memotong dahan di sebelah dinding, pagar dawai atau seumpamanya.
 16. Jika cabang tersangkut dalam alat, sentiasa hentikan alat dan tanggalkan kartrij bateri. Jika tidak, permulaan yang tidak disengajakan boleh menyebabkan kecederaan serius.
 17. Jika rantai gergaji tersumbat, sentiasa matikan alat dan tanggalkan kartrij bateri sebelum membersihkannya.
 18. Mempercepatkan alat dengan rantai gergaji tersumbat meningkatkan beban dan akan merosakkan alat.
 19. Sebelum memotong dahan, pastikan kawasan melarikan diri jauh dari dahan yang jatuh. Pertama, alihkan halangan seperti dahan dan cabang dari kawasan kerja. Pindahkan semua alat dan barang dari kawasan melarikan diri ke tempat selamat yang lain.
 20. Sebelum memotong cabang dan dahan, periksa arah jatuh kedua-duanya, dengan mempertimbangkan keadaan cabang dan dahan, pokok bersebelahan, arah angin dan sebagainya. Beri perhatian sepenuhnya pada arah jatuh, dan lantunan cabang yang terkena tanah.
 21. Jangan sekali-kali memegang alat pada sudut lebih daripada 60°. Jika tidak, objek yang jatuh boleh terkena pengendali dan menyebabkan kecederaan serius. Jangan sekali-kali berdiri di bawah dahan yang dipotong.
 22. Berikan perhatian pada cabang yang patah atau bengkok. Ia mungkin melantun kembali, menyebabkan kecederaan yang tidak dijangka.
 23. Sebelum memotong dahan yang tinggi anda potong, cabut cabang dan daun di sekelilingnya. Jika tidak, rantai gergaji boleh tersangkut pada cabang dan daun.
 24. Untuk mengelakkan rantai gergaji tersangkut dalam keratan, jangan lepaskan tuil sebelum menarik rantai gergaji keluar dari keratan.
 25. Jika rantai gergaji terkapit dalam keratan, segera hentikan alat, gerakkan dahan dengan hati-hati untuk membuka keratan dan lepaskan rantai gergaji.
 26. Elakkan tolak balik (daya tindak balas putaran ke arah pengendali). Untuk mengelakkan tolak balik, jangan sekali-kali menggunakan muncung bar panduan atau melakukan potongan penembusan. Sentiasa berhati-hati dengan kedudukan muncung bar panduan.
 27. Periksa tegangan rantai dengan kerap. Semasa memeriksa atau melaraskan ketegangan rantai, matikan alat dan keluarkan kartrij bateri. Jika ketegangan longgar, ketatkannya.
 28. Apabila anda menggunakan alat di tanah berlumpur, cerun basah, atau tempat yang licin, beri perhatian kepada pijakan anda.
 29. Jangan menggelamkan alat ke dalam lopak.
 30. Jangan biarkan alat di luar rumah tanpa pengawasan di dalam hujan.
- Pengangkutan**
1. Sebelum mengangkut alat, matikan alat dan keluarkan kartrij bateri. Sentiasa pasang penutup bar panduan semasa pengangkutan.
 2. Apabila mengangkut alat, bawa ia dalam kedudukan mendarat dengan memegang genggaman.
- Penyelenggaraan**
1. Pastikan alat anda diservis oleh pusat servis kami yang diiktiraf, sentiasa menggunakan hanya alat ganti yang asli. Pembaikan yang tidak betul dan penyelenggaraan yang kurang baik boleh memendekkan hayat alat dan meningkatkan risiko kemalangan.

2. Sebelum melakukan sebarang kerja penyelenggaraan atau pembaikan atau pembersihan alat, sentiasa matikan alat dan keluarkan kartrij bateri. Tunggu sehingga alat sejuk.
3. Sentiasa pakai sarung tangan pelindung semasa mengendalikan rantai gergaji.
4. Selepas setiap penggunaan, ketatkan semua skru dan nat, kecuali skru pelaras.
5. Pastikan rantai gergaji tajam. Jika rantai gergaji menjadi tumpul dan prestasi pemotongannya tidak baik, minta pusat servis yang diiktiraf Makita untuk mengasahnya atau menggantinya dengan yang baharu.
6. Jangan cuba sebarang penyelenggaraan atau pembaikan yang tidak diterangkan dalam manual arahan ini. Tanya pusat servis Makita yang diiktiraf untuk kerja sedemikian.
7. Sentiasa gunakan alat ganti dan aksesori asli Makita sahaja. Menggunakan bahagian atau aksesori yang dibekalkan oleh pihak ketiga boleh mengakibatkan kerosakan alat, kerosakan harta benda dan/atau kecederaan serius.

Penyimpanan

1. Sebelum menyimpan alat itu, lakukan pembersihan dan penyelenggaraan penuh. Pasangkan penutup bar panduan. Keluarkan kartrij bateri. Titiskan minyak rantai setelah alat sejuk.
2. Simpan alat di tempat yang kering dan tinggi atau terkunci daripada jangkauan kanak-kanak.
3. Jangan menyendal alat pada sesuatu, seperti dinding. Jika tidak, ia boleh jatuh dan menyebabkan kecederaan.
4. Apabila menyimpan alat, elakkan cahaya matahari langsung dan hujan, dan simpan di tempat yang tidak panas atau lembap.

Keselamatan elektrik dan bateri

1. Jangan hapuskan bateri dengan membakarnya. Sel mungkin meletup. Periksa dengan kod tempatan untuk kemungkinan arahan pelupusan khas.
2. Jangan buka atau merosakkan bateri. Elektrolit yang dibebaskan adalah menghakis dan boleh menyebabkan kerosakan kepada mata atau kulit. Ia mungkin toksik jika tertelan.
3. Jangan cas bateri dalam hujan, atau di lokasi yang basah.
4. Jangan cas bateri di luar.
5. Jangan kendalikan pengecas, termasuk palam pengecas, dan terminal pengecas dengan tangan yang basah.
6. Elakkan persekitaran yang bahaya. Jangan gunakan alat dalam lokasi sampah atau basah atau mendedahkannya kepada hujan. Air yang memasuki alat akan meningkatkan risiko kejutan elektrik.
7. Jangan menggantikan bateri dalam hujan.

SIMPAN ARAHAN INI.

⚠️AMARAN: JANGAN biarkan keselesaan atau kebiasaan dengan produk (diperoleh dari kegunaan berulang) menggantikan pematuhan ketat terhadap peraturan keselamatan untuk produk yang ditetapkan. SALAH GUNA atau kegagalan mematuhi peraturan-peraturan keselamatan yang dinyatakan dalam manual arahan ini boleh menyebabkan kecederaan diri yang serius.

Arahan keselamatan penting untuk kartrij bateri

1. Sebelum menggunakan kartrij bateri, baca semua arahan dan tanda amaran pada (1) pengecas bateri, (2) bateri, dan (3) produk menggunakan bateri.
2. Jangan buka atau cabut kartrij bateri. Ia boleh mengakibatkan kebakaran, haba berlebihan, atau letupan.
3. Jika masa operasi menjadi sangat pendek, berhenti operasi serta merta. Ia mungkin menyebabkan risiko pemanasan lampau, melecur bahkan letupan.
4. Jika elektrolit masuk ke dalam mata anda, bilas mata dengan air jernih dan dapatkan rawatan perubatan serta merta. Ia mungkin menyebabkan kehilangan penglihatan.
5. Jangan pintaskan kartrij bateri:
 - (1) Jangan sentuh terminal dengan bahan berkonduksi.
 - (2) Elakkan menyimpan kartrij bateri dalam bekas bersama-sama objek besi lain seperti paku, duit syiling, dll.
 - (3) Jangan dedahkan kartrij bateri kepada air atau hujan.
 Pintasan bateri boleh menyebabkan aliran kuasa yang besar, pemanasan lampau, melecur dan juga kerosakan.
6. Jangan simpan dan gunakan alat dan kartrij bateri di lokasi yang suhunya mungkin mencapai atau melebihi 50 °C (122 °F).
7. Jangan bakar kartrij bateri walaupun jika ia rosak teruk atau haus sepenuhnya. Kartrij bateri boleh meletup dalam kebakaran.
8. Jangan paku, potong, pecahkan, buang, jatuhkan kartrij bateri, atau tekan objek keras pada kartrij bateri. Perbuatan sedemikian boleh mengakibatkan kebakaran, haba berlebihan, atau letupan.
9. Jangan gunakan bateri yang rosak.

10. **Bateri litium ion yang terkandung adalah tertakluk kepada keperluan Perundangan Barangan Berbahaya.**
Bagi pengangkutan komersil cth. oleh pihak ketiga, ejen penghantar, keperluan khas pada pembungkusan dan pelabelan mestilah diperhatikan.
Bagi persediaan item yang dihantar, berunding dengan pakar bahan berbahaya adalah diperlukan. Sila juga perhatikan sebolehnya peraturan kebangsaan yang lebih terperinci. Lekatkan atau balut bahagian terbuka dan pek bateri supaya ia tidak bergerak dalam pembungkusan.
11. **Apabila melupuskan kartrij bateri, keluarkan ia daripada alat dan lupuskan ia di tempat selamat. Ikut peraturan tempatan anda mengenai pelupusan bateri.**
12. **Gunakan bateri hanya dengan produk yang ditentukan oleh Makita.** Memasang bateri kepada produk yang tidak patuh mungkin menyebabkan kebakaran, pemanasan lampau, atau kebocoran elektrolit.
13. **Jika alat tidak digunakan untuk tempoh masa yang lama, bateri mesti dikeluarkan daripada alat.**
14. **Semasa dan selepas penggunaan, kartrij bateri mungkin ada haba yang boleh menyebabkan terbakar atau suhu rendah terbakar. Beri perhatian kepada pengendalian kartrij bateri yang panas.**
15. **Jangan sentuh terminal alat itu selepas digunakan kerana ia mungkin panas menyebabkan terbakar.**
16. **Jangan biarkan cip, habuk, atau tanah terperangkap ke dalam terminal, lubang, dan alur cahaya kartrij bateri.** Ia mungkin menyebabkan pemanasan, terbakar, meletup dan pincang tugas alat atau kartrij bateri, seterusnya menyebabkan lecur atau kecederaan diri.
17. **Melainkan alat ini menyokong penggunaan yang hampir dari talian kuasa elektrik voltan tinggi, jangan gunakan kartrij bateri berhampiran talian kuasa elektrik voltan tinggi.** Ia mungkin menyebabkan kerosakan atau pecah pada alat atau kartrij bateri.
18. **Jauhkan bateri daripada kanak-kanak.**

SIMPAN ARAHAN INI.

⚠PERHATIAN: Hanya gunakan bateri asli Makita. Penggunaan bateri tidak asli Makita, atau bateri yang telah diubah suai, mungkin menyebabkan bateri meletup menyebabkan kebakaran, kecederaan diri dan kerosakan. Ia juga membatalkan jaminan Makita untuk alat Makita dan pengecas.

Tip untuk mengekalkan hayat bateri maksimum

1. **Cas kartrij bateri sebelum ternyahcas sepenuhnya. Sentiasa hentikan operasi alat dan cas kartrij bateri apabila anda menyedari kurang kuasa alat.**
2. **Jangan cas semula kartrij bateri yang dicas sepenuhnya. Terlebih cas memendekkan hayat servis bateri.**
3. **Cas kartrij bateri dengan suhu bilik pada 10 °C - 40 °C (50 °F - 104 °F). Biarkan kartrij bateri yang panas menyejuk sebelum mengecasnya.**
4. **Apabila tidak menggunakan kartrij bateri, tanggalkannya dari alat atau pengecas.**
5. **Cas kartrij bateri jika anda tidak menggunakannya untuk tempoh yang lama (lebih daripada enam bulan).**

KETERANGAN BAHAGIAN

► Rajah1

1	Lampu kuasa utama	2	Suis kuasa utama	3	Penggantung
4	Tuil buka kunci	5	Kartrij bateri	6	Pemicu suis
7	Genggaman belakang	8	Rantai gergaji	9	Bar panduan
10	Penutup tangki minyak	11	Gelang kunci	12	Nat penahan
13	Skru pelaras rantai	14	Penutup bar panduan	15	Genggaman depan

KETERANGAN FUNGSI

⚠️ PERHATIAN: Sentiasa pastikan alat dimatikan dan kartrij bateri dikeluarkan sebelum menyelar atau menyemak fungsi pada alat.

Memasang atau mengeluarkan kartrij bateri

⚠️ PERHATIAN: Sentiasa matikan alat sebelum memasang atau mengeluarkan kartrij bateri.

⚠️ PERHATIAN: Pegang alat dan kartrij bateri dengan kukuh apabila memasang atau mengeluarkan kartrij bateri. Gagal untuk memegang alat dan kartrij bateri dengan kukuh mungkin menyebabkan mereka terlepas daripada tangan anda dan mengakibatkan kerosakan kepada alat dan kartrij bateri dan kecederaan peribadi.

► **Rajah2:** 1. Penunjuk merah 2. Butang 3. Kartrij bateri

Untuk mengeluarkan kartrij bateri, luncurkan ia daripada alat apabila meluncurkan butang di hadapan kartrij.

Untuk memasang kartrij bateri, selaraskan lidah pada kartrij bateri dengan alur pada perumah dan gelincirkan ia ke tempatnya. Masukkan ia sepenuhnya sehingga ia terkunci di tempatnya dengan klik kecil. Jika anda boleh melihat penunjuk merah seperti yang ditunjukkan dalam rajah, ia tidak dikunci sepenuhnya.

⚠️ PERHATIAN: Sentiasa pasang kartrij bateri sepenuhnya sehingga penunjuk merah tidak boleh dilihat. Jika tidak, ia mungkin jatuh tanpa sengaja daripada alat, menyebabkan kecederaan kepada anda atau seseorang di sekeliling anda.

⚠️ PERHATIAN: Jangan pasang kartrij bateri secara paksa. Jika kartrij tidak meluncur dengan mudah, ia tidak dimasukkan dengan betul.

Menunjukkan kapasiti bateri yang tinggal

Tekan butang semak pada kartrij bateri untuk menunjukkan kapasiti bateri yang tinggal. Lampu penunjuk menyala untuk beberapa saat.

► **Rajah3:** 1. Lampu penunjuk 2. Butang semak

Lampu penunjuk			Kapasiti yang tinggal
Dinyalakan	Mati	Berkelip	
■	□	◐	75% hingga 100%
■ ■ ■ ■	□ □ □ □	□ □ □ □	50% hingga 75%
■ ■ ■ ■	□ □ □ □	□ □ □ □	25% hingga 50%
■ □ □ □	□ □ □ □	□ □ □ □	0% hingga 25%
◐ □ □ □	□ □ □ □	□ □ □ □	Cas bateri.
■ ■ □ □	□ □ □ □	□ □ □ □	Bateri mungkin telah rosak.
□ □ ■ ■	□ □ □ □	□ □ □ □	

NOTA: Bergantung kepada keadaan penggunaan dan suhu persekitaran, penunjuk mungkin berbeza sedikit daripada kapasiti sebenar.

NOTA: Lampu penunjuk (kiri jauh) pertama akan berkedip apabila sistem perlindungan bateri berfungsi.

Sistem perlindungan alat / bateri

Alat dilengkapi dengan sistem perlindungan alat/bateri. Sistem ini memotong kuasa kepada motor secara automatik untuk memanjangkan hayat alat dan bateri. Alat akan berhenti secara automatik ketika operasi jika alat atau bateri diletakkan di bawah salah satu syarat yang berikut:

Perlindungan lebih beban

Apabila bateri beroperasi dengan cara yang menyebabkan ia menarik arus tinggi yang luar biasa, alat secara automatik terhenti tanpa lampu kuasa utama berkelip dengan cahaya hijau. Dalam situasi ini, matikan alat dan hentikan penggunaan yang menyebabkan alat menjadi terlebih beban. Kemudian hidupkan alat untuk mula semula.

Perlindungan pemanasan lampau

Apabila alat atau bateri panas melampau, alat berhenti secara automatik dan lampu kuasa utama menyala dengan cahaya merah. Dalam kes ini, biarkan alat dan bateri sejuk sebelum menghidupkan semula alat.

NOTA: Dalam persekitaran yang bersuhu tinggi, perlindungan pemanasan lampau mungkin berfungsi dan alat terhenti secara automatik.

Perlindungan lebih nyahas

Apabila kapasiti bateri tidak mencukupi, alat akan terhenti secara automatik dan lampu kuasa utama mula berkelip dengan cahaya merah. Dalam kes ini, keluarkan bateri daripada alat dan cas bateri.

Perlindungan terhadap punca lain

Sistem perlindungan juga direka bentuk untuk punca lain yang boleh merosakkan alat dan membolehkan alat berhenti secara automatik. Ambil semua langkah berikut untuk membuang punca, apabila alat telah dibawa kepada berhenti sementara atau berhenti beroperasi.

1. Matikan alat dan kemudian hidupkan alat lagi untuk mula semula.
2. Cas bateri atau gantikan bateri dengan bateri yang telah dicas.
3. Biarkan mesin dan bateri menyejuk.

Jika tiada penambahbaikan boleh didapati melalui pemulihan sistem perlindungan, maka hubungi Pusat Servis Makita tempatan anda.

Suis kuasa utama

⚠️ AMARAN: Sentiasa matikan suis kuasa utama apabila tidak digunakan.

Untuk menghidupkan alat, tekan suis kuasa utama. Untuk mematikan alat, tekan suis kuasa utama sekali lagi.

- **Rajah4:** 1. Lampu kuasa utama 2. Suis kuasa utama

NOTA: Lampu kuasa utama berkelip dengan warna hijau apabila anda menghidupkan suis kuasa utama sambil menahan tuil buka kunci dan menarik pemacu suis. Dalam kes ini, lepaskan pemacu suis dan tuil buka kunci, dan kemudian hidupkan suis kuasa utama.

NOTA: Alat ini mempunyai fungsi padam secara automatik. Untuk mengelakkan permulaan yang tidak disengajakan, suis kuasa utama akan dimatikan secara automatik apabila pemacu suis tidak ditarik untuk tempoh tertentu selepas suis kuasa utama dihidupkan.

Tindakan suis

⚠️ AMARAN: Untuk keselamatan anda, alat ini dilengkapi dengan tuil buka kunci yang mengelakkan alat bermula dengan tidak disengajakan. **JANGAN SEKALI-KALI** gunakan alat jika ia berjalan apabila anda hanya menarik pemacu suis tanpa menekan tuil buka kunci. Kembalikan alat kepada pusat servis kami yang diiktiraf untuk pembaikan yang betul **SEBELUM** penggunaan seterusnya.

⚠️ AMARAN: **JANGAN SEKALI-KALI** melekatkan atau ingkar kepada tujuan dan fungsi tuil buka kunci.

⚠️ PERHATIAN: Sebelum memasang kartrij bateri ke dalam alat, sentiasa periksa untuk melihat pemacu suis bergerak dengan betul dan kembali ke posisi "OFF" apabila dilepaskan.

NOTIS: Jangan tarik pemacu suis dengan kuat tanpa menekan tuil buka kunci. Ini akan menyebabkan suis pecah.

Untuk mengelakkan pemacu suis daripada ditarik secara tidak sengaja, tuil buka kunci disediakan. Untuk memulakan alat, tekan tuil buka kunci dan tarik pemacu suis. Kelajuan alat ditingkatkan dengan meningkatkan tekanan pada pemacu suis. Lepaskan pemacu suis untuk berhenti.

- **Rajah5:** 1. Pemacu suis 2. Tuil buka kunci

Melaraskan panjang paip

Untuk memanjangkan atau memendekkan paip, longgarkan gelang kunci dengan memutar gelang kunci mengikut arah lawan jam, kemudian sesuaikan panjang paip, dan kemudian ketatkan gelang dengan memutar gelang kunci mengikut arah jam.

- **Rajah6:** 1. Gelang kunci 2. Paip

PEMASANGAN

⚠️ PERHATIAN: Sentiasa pastikan alat dimatikan dan kartrij bateri dikeluarkan sebelum menjalankan sebarang kerja pada alat.

⚠️ PERHATIAN: Jangan sentuh rantai gergaji dengan tangan yang tanpa perlindungan. Sentiasa pakai sarung tangan semasa mengendalikan rantai gergaji.

Memasang alat

1. Tanggalkan 2 penutup dari paip, dan 1 penutup dari kepala alat.

- **Rajah7:** 1. Penutup 2. Paip 3. Kepala alat

2. Longgarkan 3 bolt, dan kemudian keluarkan 1 bolt menggunakan kunci allen.

- **Rajah8:** 1. Bolt

3. Masukkan paip ke badan alat sepenuhnya, dan kemudian jajarkan lubang pada paip dengan lubang pada badan alat.

- **Rajah9:** 1. Lubang 2. Paip

4. Ketatkan 3 bolt menggunakan kunci allen.

- **Rajah10:** 1. Bolt

5. Longgarkan 2 bolt, dan kemudian tanggalkan 1 bolt.

- **Rajah11:** 1. Bolt

6. Longgarkan gelang kunci dengan memutar gelang kunci mengikut arah lawan jam, kemudian panjangkan paip lebih kurang 10 cm atau lebih, dan kemudian ketatkan gelang kunci dengan memutar gelang kunci mengikut arah jam.

► **Rajah12:** 1. Gelang kunci 2. 10 cm atau lebih 3. Paip

7. Masukkan paip ke kepala alat sepenuhnya, dan kemudian jajarkan lubang pada paip dengan lubang pada kepala alat.

► **Rajah13:** 1. Lubang 2. Paip

8. Ketatkan 2 bolt menggunakan kunci allen.

► **Rajah14:** 1. Bolt

Memasang atau mengeluarkan rantai gergaji

⚠PERHATIAN: Rantai gergaji dan bar panduan masih panas selepas operasi. Biarkan ia sejuk secukupnya sebelum menjalankan apa-apa kerja pada alat itu.

⚠PERHATIAN: Jalankan prosedur memasang atau mengeluarkan rantai gergaji di tempat yang bersih bebas daripada habuk papan dan sebagainya.

Memasang rantai gergaji

Untuk memasang rantai gergaji, lakukan langkah-langkah berikut:

1. Longgarkan skru pelaras rantai, kemudian nat penahan.

► **Rajah15:** 1. Nat penahan 2. Skru pelaras rantai 3. Penutup gegancu

2. Keluarkan penutup gegancu.

3. Periksa arah rantai gergaji. Padankan arah rantai gergaji dengan arah tanda pada badan alat.

► **Rajah16:** 1. Tanda pada badan gergaji rantai

4. Pasangkan satu hujung rantai gergaji pada bahagian atas bar panduan. Pasangkan hujung rantai gergaji yang lain di sekeliling gegancu. Pastikan rantai gergaji dipasang dengan betul pada gegancu dan dipasang dengan betul dalam alur bar panduan.

5. Pasang bar panduan pada badan alat, jajarkan lubang pada bar panduan dengan pin pada badan alat.

► **Rajah17:** 1. Lubang 2. Gegancu

6. Masukkan tonjolan pada penutup gegancu ke badan alat, kemudian tutup penutup agar bolt dan pin pada badan alat bertemu bahagian sepadan ia di atas penutup.

► **Rajah18:** 1. Penutup gegancu 2. Tonjolan 3. Bolt 4. Pin

7. Ketatkan nat penahan untuk melindungi penutup gegancu, kemudian longgarkan sedikit untuk pelarasan ketegangan.

► **Rajah19:** 1. Nat penahan

Selepas memasang rantai gergaji, laraskan ketegangan rantai gergaji dengan merujuk pada bahagian untuk melaraskan ketegangan rantai gergaji.

Menanggalkan rantai gergaji

Untuk mengeluarkan rantai gergaji, lakukan langkah-langkah berikut:

1. Longgarkan skru pelaras rantai, kemudian nat penahan.

► **Rajah20:** 1. Nat penahan 2. Skru pelaras rantai

2. Tanggalkan penutup gegancu kemudian keluarkan rantai gergaji dan bar panduan dari badan alat.

Melaraskan ketegangan rantai gergaji

⚠PERHATIAN: Jangan ketatkan rantai gergaji terlalu banyak. Ketegangan berlebihan rantai gergaji boleh menyebabkan kerosakan rantai gergaji dan menghauskan bar panduan.

⚠PERHATIAN: Rantai yang terlalu longgar boleh terlompat daripada bar dan boleh menyebabkan kemalangan kecederaan.

Rantai gergaji mungkin menjadi longgar selepas penggunaan yang lama. Dari semasa ke semasa, periksa ketegangan rantai gergaji sebelum penggunaan.

1. Longgarkan nat penahan sedikit untuk melonggarkan sedikit penutup gegancu.

► **Rajah21:** 1. Nat penahan

2. Angkat hujung bar panduan sedikit dan laraskan ketegangan rantai. Pusingkan skru pelaras rantai melawan arah jam untuk mengetatkan, pusingkan mengikut arah jam untuk melonggarkan.

Ketatkan rantai gergaji sehingga bahagian bawah rantai gergaji sepadan dengan rel bar panduan seperti yang digambarkan.

► **Rajah22:** 1. Bar panduan 2. Rantai gergaji 3. Skru pelaras rantai

3. Teruskan memegang bar panduan dengan lembut dan pasangkan penutup gegancu.

Pastikan rantai gergaji tidak longgar pada bahagian bawah.

4. Ketatkan nat penahan untuk mengukuhkan penutup gegancu.

► **Rajah23:** 1. Nat penahan

OPERASI

Pelinciran

NOTIS: Apabila mengisi minyak rantai untuk kali pertama, atau mengisi semula tangki selepas ia telah dikosongkan sepenuhnya, tambah minyak sehingga ke tepi bawah leher pengisi. Jika tidak, penghantaran minyak mungkin terganggu.

NOTIS: Gunakan minyak rantai gergaji yang khusus untuk gergaji rantai Makita atau minyak yang sama yang terdapat di pasaran.

NOTIS: Jangan sekali-kali gunakan minyak yang terdapat habuk dan debu atau minyak meruap.

NOTIS: Apabila memangkas pokok, gunakan minyak botani. Minyak mineral boleh membahayakan pokok.

NOTIS: Sebelum operasi pemotongan, pastikan penutup tangki minyak yang diketatkan dengan kukuh.

Rantai gergaji dilincirkan secara automatik apabila alat sedang beroperasi. Periksa jumlah baki minyak dalam tangki minyak secara berkala.

► **Rajah24:** 1. Tangki minyak

Untuk mengisi semula tangki, letakkan alat di permukaan rata, kemudian tekan butang pada penutup tangki minyak hingga butang di sisi lain tegak, dan kemudian lepaskan penutup tangki minyak dengan memutarnya.

Jumlah minyak yang betul adalah 160 ml. Selepas mengisi semula tangki, pastikan penutup tangki minyak diketatkan dengan kukuh.

► **Rajah25:** 1. Penutup tangki minyak 2. Ketatkan 3. Longgarkan

NOTA: Jika sukar menanggalkan penutup tangki minyak, masukkan perengkuh kotak ke dalam slot penutup tangki minyak, dan kemudian tanggalkan penutup tangki minyak dengan memutarnya mengikut arah lawan jam.

► **Rajah26:** 1. Slot 2. Perengkuh kotak

Setelah mengisi semula, pegang alat jauh dari pokok. Mulakan ia dan tunggu sehingga pelinciran pada rantai gergaji memadai.

► **Rajah27**

Memakai abah-abah bahu

PERHATIAN: Apabila anda menggunakan alat dengan gabungan bekalan kuasa jenis beg galas seperti pek kuasa mudah alih, jangan gunakan abah-abah bahu yang disertakan di dalam pakej alat, tetapi gunakan tali gantung yang disyorkan oleh Makita.

Sekiranya anda memakai abah-abah bahu yang disertakan di dalam pakej alat dan abah-abah bahu bekalan kuasa jenis beg galas pada masa yang sama, menanggalkan alat atau bekalan kuasa jenis beg galas adalah sukar ketika kecemasan dan ini mungkin menyebabkan kemalangan atau kecederaan. Untuk tali gantung yang disyorkan, tanya Pusat Servis Makita yang Diiktiraf.

PERHATIAN: Sentiasa gunakan abah-abah bahu yang dipasangkan pada alat itu. Sebelum beroperasi, laraskan abah-abah bahu mengikut saiz pengguna untuk mengelakkan kepenatan.

PERHATIAN: Sebelum beroperasi, pastikan abah-abah bahu dipasang dengan betul pada penyangkut alat itu.

PERHATIAN: Sebelum operasi, pastikan kancing abah-abah bahu diikat dengan kuat.

PERHATIAN: Sentiasa gunakan abah-abah bahu yang dikhususkan pada alat itu. Jangan gunakan abah-abah bahu yang lain.

1. Pakai abah-abah bahu dan ketatkan kancing.

► **Rajah28:** 1. Kancing

NOTA: Semasa menanggalkan abah-abah bahu, buka kunci kancing dan tanggalkan abah-abah bahu.

2. Laraskan abah-abah bahu kepada kedudukan bekerja yang selesai.

► **Rajah29**

3. Kancingkan cangkuk pada abah-abah bahu ke penggantung alat.

► **Rajah30:** 1. Cangkuk 2. Penggantung

Ciri-ciri abah-abah bahu mempunyai cara membuka dengan cepat. Hanya picit sisi kancing untuk melepaskan abah-abah bahu.

► **Rajah31:** 1. Kancing

Bekerja dengan alat

⚠️ PERHATIAN: Jauhkan semua anggota tubuh badan daripada rantai gergaji semasa motor beroperasi.

⚠️ PERHATIAN: Pegang alat dengan kedua-dua belah tangan dengan kemas semasa motor berjalan.

⚠️ PERHATIAN: Jangan lampau jangkau. Pastikan pijakan dan keseimbangan yang betul pada setiap masa.

⚠️ PERHATIAN: Semasa memotong dahan, berhati-hati agar tidak hilang keseimbangan disebabkan berat kepala alat.

⚠️ PERHATIAN: Sentiasa pastikan ada laluan melepaskan diri sekiranya dahan yang dipotong jatuh ke arah pengendali.

⚠️ PERHATIAN: Jangan sekali-kali menggunakan hujung bar panduan untuk memotong. Jika tidak, tolak balik yang berbahaya mungkin berlaku, dan boleh menyebabkan kecederaan diri.

NOTIS: Jangan sekali-kali melambungkan atau menjatuhkan alat.

NOTIS: Jangan menutup bolong alat.

NOTIS: Jangan paksa alat. Jika tidak, ia boleh merosakkan alat itu.

Berdiri di atas permukaan yang stabil, dan pegang alat jauh dari dahan sehingga sudut alat menjadi 60° atau kurang pada tanah datar.

► **Rajah32:** 1. 60° atau kurang

Mulakan alat, dan kemudian tekan rantai gergaji ke dahan sedikit.

Semasa memotong dahan panjang, untuk mengawal kedudukan jatuh dahan yang dipotong, bahagikan dahan mengikut bahagian dan potong dahan dari hujungnya. Ambil perhatian pada dahan yang jatuh kerana mungkin melantun ke arah pengendali setelah terkena tanah.

► **Rajah33**

Apabila memotong dahan tebal, mula-mula lakukan potongan cetek dan kemudian lakukan potongan kemas dari bahagian atas.

► **Rajah34**

Jika anda cuba memotong dahan tebal dari bahagian bawah, dahan boleh tertutup dan menyangkutkan rantai gergaji di dalam potongan. Jika anda cuba memotong dahan tebal dari bahagian atas tanpa potongan cetek, cabang itu boleh tersesar.

► **Rajah35**

Alat membawa

Sebelum membawa alat, sentiasa tanggalkan kartrij bateri daripada alat, kemudian pasang penutup bar panduan, dan kemudian pendekkan paip. Juga, tutup kartrij bateri dengan penutup bateri.

► **Rajah36:** 1. Penutup bar panduan 2. Penutup bateri

Menggunakan alat dengan pek kuasa mudah alih

Aksesori pilihan

Gunakan tali gantung semasa anda menggunakan alat dengan pek kuasa mudah alih.

Memasang tali gantung

1. Pasang cangkuk tali gantung pada gelang abah-abah bahu atau tali pinggang seperti yang ditunjukkan di dalam rajah. Pilih jenis tali dan kaedah penyambungan yang sesuai untuk penggunaan anda.

► **Rajah37:** 1. Gelang 2. Cangkuk

► **Rajah38:** 1. Gelang 2. Cangkuk

2. Pasang cangkuk pada alat.

► **Rajah39:** 1. Cangkuk

Menanggalkan alat

Semasa meletakkan alat ke bawah, buka kancing pada tali gantung menggunakan satu tangan sambil memegang alat dengan satu lagi tangan.

► **Rajah40:** 1. Kancing

NOTA: Kancing tidak disertakan bergantung pada jenis tali.

Sekiranya anda perlu melepaskan alat dengan cepat, ikuti langkah di bawah.

1. Tekan tuil pada kancing tali pinggang untuk membuka kunci kancing.

► **Rajah41:** 1. Kancing 2. Tuil

2. Tanggalkan abah-abah bahu untuk melepaskan alat dan unit.

► **Rajah42:** 1. Abah-abah bahu

PENYELENGGARAAN

⚠️ PERHATIAN: Sentiasa pastikan alat dimatikan dan kartrij bateri dikeluarkan sebelum cuba menjalankan pemeriksaan atau penyelenggaraan.

⚠️ PERHATIAN: Sentiasa pakai sarung tangan semasa melakukan sebarang pemeriksaan atau penyelenggaraan.

NOTIS: Jangan gunakan petrol, benzin, pencair, alkohol atau bahan yang serupa. Ia boleh menyebabkan perubahan warna, bentuk atau keretakan.

Untuk mengekalkan KESELAMATAN dan KEBOLEHPERCAYAAN produk, pembaikan, apa-apa penyelenggaraan atau penyesuaian lain perlu dilakukan oleh Kilang atau Pusat Servis Makita yang Diiktiraf, sentiasa gunakan alat ganti Makita.

Mengasah rantai gergaji

Asah rantai gergaji apabila:

- Habuk gergaji kersai dihasilkan apabila kayu lembap dipotong;
- Rantai susah menembusi kayu, walaupun apabila tekanan berat digunakan;
- Tepi potongan jelas rosak;
- Gergaji tertarik ke kiri atau kanan di dalam kayu. (disebabkan oleh asahan rantai gergaji yang tidak sekata atau kerosakan pada satu sisi sahaja)

Asah rantai gergaji dengan kerap tetapi sedikit sahaja setiap kali. Dua atau tiga strok dengan kikir biasanya cukup untuk rutin mengasah semula. Apabila rantai gergaji telah diasah semula beberapa kali, asah ia di pusat servis kami yang diiktiraf.

Kriteria mengasah:

AMARAN: Jarak yang berlebihan antara pinggir pemotong dan tolok kedalaman meningkatkan risiko tolok keluar.

- ▶ **Rajah43:** 1. Panjang pemotong 2. Jarak antara tepi potongan dan tolok kedalaman 3. Panjang pemotong minimum (3 mm)
- Semua panjang pemotong mestilah sama. Panjang pemotong berbeza menghalang rantai daripada berjalan lancar dan boleh menyebabkan rantai putus.
- Jangan asah rantai apabila panjang pemotong telah mencapai 3 mm atau lebih pendek. Rantai mesti diganti dengan yang baharu.
- Ketebalan cip ditentukan oleh jarak antara tolok kedalaman (muncung bulat) dan tepi potongan.
- Hasil potongan terbaik diperoleh dengan jarak antara tepi potongan dan tolok kedalaman berikut.
 - Bilah rantai 90PX : 0.65 mm
 - Bilah rantai 91PX : 0.65 mm
- ▶ **Rajah44**
- Sudut mengasah 30° mestilah sama pada semua pemotong. Perbezaan pada sudut pemotong menyebabkan rantai itu berjalan secara kasar dan tidak sekata, mempercepatkan haus, dan menyebabkan rantai putus.
- Gunakan kikir bulat yang sesuai supaya sudut mengasah yang tepat dikekalkan terhadap gigi.
 - Bilah rantai 90PX : 55°
 - Bilah rantai 91PX : 55°

Kikir dan panduan kikir

- Gunakan kikir bulat khas (aksesori pilihan) untuk rantai gergaji bagi mengasah rantai. Kikir bulat biasa tidak sesuai.
- Diameter kikir bulat untuk setiap rantai gergaji adalah seperti berikut:
 - Bilah rantai 90PX : 4.5 mm
 - Bilah rantai 91PX : 4.0 mm
- Kikir hanya boleh menyentuh pemotong pada strok ke hadapan. Angkat kikir daripada pemotong pada strok balik.
- Asah pemotong paling pendek terlebih dahulu. Kemudian panjang pemotong paling pendek ini menjadi standard bagi semua pemotong lain pada rantai gergaji.

- Pandukan kikir seperti yang ditunjukkan di dalam rajah.

▶ **Rajah45:** 1. Kikir 2. Rantai gergaji

- Kikir boleh dipandu dengan lebih mudah jika pemegang kikir (aksesori pilihan) digunakan. Pemegang kikir mempunyai tanda untuk sudut mengasah yang betul sebanyak 30° (selaraskan tanda selari dengan rantai gergaji) dan hadkan kedalaman penembusan (kepada 4/5 daripada diameter kikir).
- ▶ **Rajah46:** 1. Pemegang kikir
- Selepas mengasah rantai, periksa ketinggian tolok kedalaman menggunakan alat tolok rantai (aksesori pilihan).
- ▶ **Rajah47**
- Keluarkan sebarang bahan yang tertonjol, sekecil mana pun, dengan kikir rata khas (aksesori pilihan).
- Bulatkan bahagian depan tolok kedalaman sekali lagi.

Membersihkan bar panduan

Serpihan dan habuk gergaji akan membina alur bar panduan. Ia boleh menyumbat alur bar dan menjejaskan aliran minyak. Bersihkan serpihan dan habuk gergaji setiap kali apabila anda menajamkan atau menggantikan rantai gergaji.

▶ **Rajah48**

Membersihkan penutup gegancu

Serpihan dan habuk gergaji akan terkumpul di dalam penutup gegancu. Tanggalkan penutup gegancu dan rantai dari alat kemudian bersihkan serpihan dan habuk gergaji.

▶ **Rajah49**

Membersihkan lubang pelepasan minyak

Habuk atau debu kecil boleh menebal dalam lubang pelepasan minyak semasa operasi. Habuk atau debu ini boleh menjejaskan minyak untuk mengalir dan menyebabkan pelinciran yang tidak mencukupi pada keseluruhan rantai gergaji. Apabila penghantaran minyak rantai yang lemah berlaku di bahagian atas bar panduan, bersihkan lubang pelepasan minyak seperti berikut.

1. Tanggalkan penutup gegancu dan rantai gergaji dari alat.
2. Keluarkan habuk atau debu yang kecil menggunakan pemutar skru yang beralur atau sebagainya.
- ▶ **Rajah50:** 1. Pemutar skru beralur 2. Lubang pelepasan minyak
3. Masukkan kartrij bateri ke alat tersebut. Tarik pemacu suis untuk mengalirkan habuk atau debu yang menebal dari lubang pelepasan minyak dengan melepaskan minyak rantai.
4. Keluarkan kartrij bateri dari alat. Pasang semula penutup gegancu dan rantai gergaji dari alat.

Menggantikan gegancu

⚠️ PERHATIAN: Gegancu yang haus akan merosakkan rantai gergaji baharu. Gantikan gegancu dalam kes ini.

Sebelum memasang rantai gergaji baharu, periksa keadaan gegancu. Jika gegancu haus atau rosak, tanya Pusat Servis Makita yang Diiktiraf untuk pembaikan.

► **Rajah51:** 1. Gegancu 2. Kawasan yang akan haus

Menyimpan alat

1. Bersihkan alat sebelum menyimpan. Keluarkan sebarang serpihan dan habuk gergaji dari alat selepas menanggalkan penutup gegancu.
2. Selepas membersihkan alat, jalankan ia tanpa beban untuk melincirkan rantai gergaji dan bar panduan.
3. Tutup bar panduan dengan penutup bar panduan, dan kemudian pendekkan paip.
4. Mengosongkan tangki minyak.

Arahan untuk penyelenggaraan berkala

Untuk memastikan jangka hayat yang panjang, mencegah kerosakan dan memastikan fungsi penuh ciri-ciri keselamatan, penyelenggaraan berikut mesti dilakukan secara kerap. Tuntutan waranti boleh iktiraf hanya jika operasi ini telah dilakukan secara kerap dan dengan betul. Kegagalan untuk melaksanakan kerja penyelenggaraan yang ditetapkan boleh membawa kepada kemalangan! Pengguna alat tidak boleh melakukan kerja penyelenggaraan yang tidak diterangkan dalam manual arahan. Sebarang kerja lain mesti dilaksanakan oleh pusat servis kami yang diiktiraf.

Periksa item / Masa operasi		Sebelum operasi	Setia hari	Setiap minggu	Setiap 3 bulan	Setiap tahun	Sebelum menyimpan
Keseluruhan alat	Pemeriksaan.	✓	-	-	-	-	-
	Pembersihan.	-	✓	-	-	-	-
	Periksa pusat servis yang diiktiraf kami.	-	-	-	-	✓	✓
Rantai gergaji	Pemeriksaan.	✓	-	-	-	-	-
	Tajamkan jika perlu.	-	-	-	-	-	✓
Bar panduan	Pemeriksaan.	✓	✓	-	-	-	-
	Tanggalkan daripada alat.	-	-	-	-	-	✓
Pelinciran rantai	Periksa kadar suapan pam minyak.	✓	-	-	-	-	-
Pemicu suis	Pemeriksaan.	✓	-	-	-	-	-
Tuil buka kunci	Pemeriksaan.	✓	-	-	-	-	-
Penutup tangki minyak	Periksa keketatan.	✓	-	-	-	-	-
Skru dan nat	Pemeriksaan.	-	-	✓	-	-	-

PENYELESAIAN MASALAH

Sebelum meminta pembaikan, jalankan pemeriksaan sendiri terlebih dahulu. Jika anda mendapati masalah tidak diterangkan dalam manual, jangan cuba untuk menanggalkan alat. Sebaliknya, tanya Pusat Servis Sah Makita, sentiasa gunakan alat ganti Makita untuk pembaikan.

Status pincang tugas	Sebab	Tindakan
Alat tidak dapat dimulakan.	Kartrij bateri tidak dipasang.	Pasang bateri yang telah dicas.
	Masalah bateri (voltan rendah).	Cas semula kartrij bateri. Jika mengecap tidak berkesan, gantikan kartrij bateri.
	Kuasa utama terpadam.	Alat dimatikan secara automatik jika ia tidak dikendalikan untuk tempoh tertentu. Hidupkan suis kuasa utama sekali lagi.
Motor berhenti berfungsi selepas digunakan seketika.	Tahap bateri terlalu rendah.	Cas semula kartrij bateri. Jika mengecap tidak berkesan, gantikan kartrij bateri.
Tiada minyak pada rantai.	Tangki minyak kosong.	Isi tangki minyak.
	Alur panduan minyak kotor.	Bersihkan alur.
Alat tidak mencapai RPM maksimum.	Kartrij bateri tidak dipasang dengan betul.	Pasang kartrij bateri seperti yang diterangkan dalam manual ini.
	Kuasa bateri berkurangan.	Cas semula kartrij bateri. Jika mengecap tidak berkesan, gantikan kartrij bateri.
	Sistem pacuan tidak berfungsi dengan betul.	Tanya pusat servis yang diiktiraf di rantau anda untuk pembaikan.
Lampu kuasa utama berkelip dengan cahaya hijau.	Pemicu suis ditarik semasa keadaan tidak boleh beroperasi.	Tarik pemicu suis selepas suis kuasa utama dihidupkan.
Getaran tidak normal: Hentikan alat serta-merta!	Bar panduan atau rantai gergaji longgar.	Selaraskan tegangan bar panduan dan rantai gergaji.
	Alat pincang tugas.	Tanya pusat servis yang diiktiraf di rantau anda untuk pembaikan.
Rantai gergaji tidak boleh dipasang.	Gabungan rantai gergaji dan gegancu tidak betul.	Gunakan gabungan rantai gergaji dan gegancu dengan betul dengan merujuk kepada bahagian untuk spesifikasi.

AKSESORI PILIHAN

⚠️ PERHATIAN: Aksesori-aksesori atau lampiran-lampiran ini adalah disyorkan untuk digunakan dengan alat Makita anda yang ditentukan dalam manual ini. Penggunaan mana-mana aksesori-aksesori atau lampiran-lampiran lain mungkin mengakibatkan risiko kecederaan kepada orang. Hanya gunakan aksesori atau lampiran untuk tujuan yang dinyatakan.

Jika anda memerlukan sebarang bantuan untuk maklumat lebih lanjut mengenai aksesori ini, tanya Pusat Perkhidmatan Makita tempatan anda.

- Rantai gergaji
- Bar panduan
- Penutup bar panduan
- Kikir
- Bateri dan pengecas asli Makita

⚠️ AMARAN: Jika anda membeli bar panduan dengan panjang yang berbeza daripada bar panduan standard, beli juga bersama-sama penutup bar panduan yang sesuai. Ia mesti sesuai dan menutup sepenuhnya bar panduan pada alat.

NOTA: Beberapa item dalam senarai mungkin disertakan dalam pakej alat sebagai aksesori standard. Item mungkin berbeza mengikut negara.

THÔNG SỐ KỸ THUẬT

Kiểu máy:		UA004G
Chiều dài tổng thể (không có thanh dẫn hướng và pin)		2.516 - 3.748 mm
Điện áp định mức		D.C. 36 V - tối đa 40 V
Khối lượng tịnh	*1	7,8 kg
	*2	7,8 - 8,5 kg
Chiều dài thanh dẫn hướng tiêu chuẩn		300 mm
Chiều dài thanh dẫn hướng khuyến dùng	với 90PX	250 - 300 mm
	với 91PX	250 - 300 mm
Loại xích cưa có thể dùng được (tham khảo bảng dưới đây)		90PX 91PX
Đĩa xích tiêu chuẩn	Số răng	6
	Răng cưa	3/8"
Tốc độ xích		0 - 20 m/s (0 - 1.200 m/min)
Dung tích bình chứa dầu dây xích		160 cm ³
Cấp bảo vệ		IPX4

- Do chương trình nghiên cứu và phát triển liên tục của chúng tôi nên các thông số kỹ thuật trong đây có thể thay đổi mà không cần thông báo trước.
- Các thông số kỹ thuật có thể thay đổi tùy theo từng quốc gia.

*1: Khối lượng, kèm hộp pin nặng nhất và bình chứa dầu rỗng, không có thanh dẫn hướng, xích và dây nịt vai, theo EN ISO11680-1.

*2: Tổ hợp nhẹ nhất và nặng nhất, theo Quy trình EPTA-Procedure 01/2014. Khối lượng có thể khác nhau tùy thuộc vào (các) phụ kiện, bao gồm cả hộp pin.

Hộp pin và sạc pin có thể áp dụng

Hộp pin	BL4020 / BL4025 / BL4040* / BL4050F* * : Pin được khuyến dùng
Bộ sạc	DC40RA / DC40RB / DC40RC

- Một số hộp pin và sạc pin được nêu trong danh sách ở trên có thể không khả dụng tùy thuộc vào khu vực cư trú của bạn.

⚠ CẢNH BÁO: Chỉ sử dụng hộp pin và sạc pin được nêu trong danh sách ở trên. Việc sử dụng bất cứ hộp pin và sạc pin nào khác có thể gây ra thương tích và/hoặc hỏa hoạn.

Nguồn điện kết nối bằng dây được khuyến dùng

Bộ cấp nguồn di động đeo vai	PDC01 / PDC1200
------------------------------	-----------------

- (Các) Nguồn điện kết nối bằng dây được nêu trong danh sách ở trên có thể không khả dụng tùy thuộc vào khu vực cư trú của bạn.
- Trước khi sử dụng nguồn điện kết nối bằng dây, hãy đọc hướng dẫn và nhãn cảnh báo có trên chúng.

Kết hợp xích cưa, thanh dẫn hướng và đĩa xích











Loại xích cưa		90PX
Số mắt xích		46
Thanh dẫn hướng	Chiều dài thanh dẫn hướng	300 mm
	Chiều dài cắt	296 mm
	Răng cưa	3/8"
	Thanh đo	1,1 mm
	Loại	Thanh chắn mũi bánh xích
Đĩa xích	Số răng	6
	Răng cưa	3/8"

Loại xích cưa		91PX
Số mắt xích		46
Thanh dẫn hướng	Chiều dài thanh dẫn hướng	300 mm
	Chiều dài cắt	296 mm
	Răng cưa	3/8"
	Thanh đo	1,3 mm
	Loại	Thanh chắn mũi bánh xích
Đĩa xích	Số răng	6
	Răng cưa	3/8"

⚠ CẢNH BÁO: Kết hợp sử dụng thanh dẫn hướng và xích cưa thích hợp. Nếu không có thể dẫn đến thương tích cá nhân.



Ký hiệu

Phần dưới đây cho biết các ký hiệu có thể được dùng cho thiết bị. Đảm bảo rằng bạn hiểu rõ ý nghĩa của các ký hiệu này trước khi sử dụng.

-  Đọc tài liệu hướng dẫn.
-  Đội mũ bảo hộ, kính an toàn và thiết bị bảo vệ tai.
-  Mang găng tay bảo hộ.
-  Mang giày ống cứng có đế chống trượt. Khuyến nghị sử dụng giày bảo hộ mũi bịt thép an toàn.
-  Hãy cẩn thận với các đường dây điện, nguy cơ điện giật.
-  Giữ khoảng cách tối thiểu là 15 m.
-  Chiều dài tối đa được phép cắt
-  Hướng truyền dây xích
-  Bình chứa dầu xích
-  Bề mặt nóng - Bông ngón tay hoặc bàn tay.



Chỉ dành cho các quốc gia EU
Do có các thành phần nguy hiểm bên trong thiết bị điện và điện tử, ắc quy và pin thải bỏ nên có thể có tác động không tốt đến môi trường và sức khỏe con người. Không vứt bỏ các thiết bị điện và điện tử hoặc pin với rác thải sinh hoạt!
Theo Chỉ thị của Châu Âu về thiết bị điện và điện tử thải bỏ và về pin và ắc quy và pin và ắc quy thải bỏ, cũng như sự thích ứng của chúng với luật pháp quốc gia, các thiết bị điện, pin và ắc quy thải phải được cất giữ riêng biệt và chuyển đến một điểm thu gom rác thải đô thị riêng, hoạt động theo các quy định về bảo vệ môi trường. Điều này được biểu thị bằng biểu tượng thùng rác có bánh xe gạch chéo được đặt trên thiết bị.

-  Mức công suất âm thanh được đảm bảo theo Chỉ thị về tiếng ồn ngoài trời của EU.
-  Mức công suất âm thanh theo Quy định kiểm soát tiếng ồn NSW của Úc

Mục đích sử dụng

Dụng cụ này được dùng để tỉa cành và nhánh to.

CẢNH BÁO AN TOÀN

Cảnh báo an toàn chung dành cho dụng cụ máy

⚠CẢNH BÁO: Xin đọc tất cả các cảnh báo an toàn, hướng dẫn, minh họa và thông số kỹ thuật đi kèm với dụng cụ máy này. Việc không tuân theo các hướng dẫn được liệt kê dưới đây có thể dẫn đến điện giật, hỏa hoạn và/hoặc thương tích nghiêm trọng.

Lưu giữ tất cả cảnh báo và hướng dẫn để tham khảo sau này.

Thuật ngữ “dụng cụ máy” trong các cảnh báo đề cập đến dụng cụ máy (có dây) được vận hành bằng nguồn điện chính hoặc dụng cụ máy (không dây) được vận hành bằng pin của bạn.

An toàn tại nơi làm việc

- Giữ nơi làm việc sạch sẽ và có đủ ánh sáng.** Nơi làm việc bừa bộn hoặc tối thường dễ gây ra tai nạn.
- Không vận hành dụng cụ máy trong môi trường cháy nổ, ví dụ như môi trường có sự hiện diện của các chất lỏng, khí hoặc bụi dễ cháy.** Các dụng cụ máy tạo tia lửa điện có thể làm bụi hoặc khí bốc cháy.
- Giữ trẻ em và người ngoài tránh xa nơi làm việc khi đang vận hành dụng cụ máy.** Sự xao lãng có thể khiến bạn mất khả năng kiểm soát.

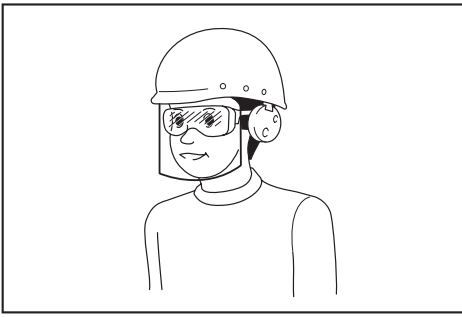
An toàn về Điện

- Phích cắm của dụng cụ máy phải khớp với ổ cắm.** Không được sửa đổi phích cắm theo bất kỳ cách nào. Không sử dụng bất kỳ phích chuyển đổi nào với các dụng cụ máy được nối đất (tiếp đất). Các phích cắm còn nguyên vẹn và ổ cắm phù hợp sẽ giảm nguy cơ điện giật.
- Tránh đề cơ thể tiếp xúc với các bề mặt nóng đất hoặc tiếp đất như đường ống, bộ tản nhiệt, bếp ga và tủ lạnh.** Nguy cơ bị điện giật sẽ tăng lên nếu cơ thể bạn được nối đất hoặc tiếp đất.
- Không để dụng cụ máy tiếp xúc với mưa hoặc trong điều kiện ẩm ướt.** Nước lọt vào dụng cụ máy sẽ làm tăng nguy cơ điện giật.
- Không lạm dụng dây điện.** Không được phép sử dụng dây để mang, kéo hoặc tháo phích cắm dụng cụ máy. Giữ dây tránh xa nguồn nhiệt, dầu, các mép sắc hoặc các bộ phận chuyển động. Dây bị hỏng hoặc bị rối sẽ làm tăng nguy cơ điện giật.
- Khi vận hành dụng cụ máy ngoài trời, hãy sử dụng dây kéo dài phù hợp cho việc sử dụng ngoài trời.** Việc dùng dây phù hợp cho việc sử dụng ngoài trời sẽ giảm nguy cơ điện giật.
- Nếu bắt buộc phải vận hành dụng cụ máy ở nơi ẩm ướt, hãy sử dụng nguồn cấp điện được bảo vệ bằng thiết bị ngắt dòng điện rò (RCD).** Việc sử dụng RCD sẽ làm giảm nguy cơ điện giật.

- Các dụng cụ máy có thể tạo ra từ trường điện (EMF) có hại cho người dùng.** Tuy nhiên, người dùng máy trợ tim và những thiết bị y tế tương tự khác nên liên hệ với nhà sản xuất thiết bị và/hoặc bác sỹ để được tư vấn trước khi vận hành dụng cụ này.

An toàn Cá nhân

- Luôn tỉnh táo, quan sát những việc bạn đang làm và sử dụng những phán đoán theo kinh nghiệm khi vận hành dụng cụ máy. Không sử dụng dụng cụ máy khi bạn đang mệt mỏi hoặc chịu ảnh hưởng của ma túy, rượu hay thuốc.** Chỉ một khoảnh khắc không tập trung khi đang vận hành dụng cụ máy cũng có thể dẫn đến thương tích cá nhân nghiêm trọng.
- Sử dụng thiết bị bảo hộ cá nhân. Luôn đeo thiết bị bảo vệ mắt.** Các thiết bị bảo hộ như mặt nạ chống bụi, giày an toàn chống trượt, mũ bảo hộ hay thiết bị bảo vệ thính giác được sử dụng trong các điều kiện thích hợp sẽ giúp giảm thương tích cá nhân.
- Tránh vô tình khởi động dụng cụ máy. Đảm bảo công tắc ở vị trí off (tắt) trước khi nối nguồn điện và/hoặc bộ pin, cầm hoặc di chuyển dụng cụ máy.** Việc di chuyển dụng cụ máy khi đang đặt ngón tay ở vị trí công tắc hoặc cấp điện cho dụng cụ máy đang bật thường dễ gây ra tai nạn.
- Tháo tất cả các khóa hoặc cờ lê điều chỉnh trước khi bật dụng cụ máy.** Việc cờ lê hoặc khóa vẫn còn gắn vào bộ phận quay của dụng cụ máy có thể dẫn đến thương tích cá nhân.
- Không vớ quá cao. Luôn giữ thăng bằng tốt và có chỗ để chân phù hợp.** Điều này cho phép điều khiển dụng cụ máy tốt hơn trong những tình huống bất ngờ.
- Ăn mặc phù hợp. Không mặc quần áo rộng hay đeo đồ trang sức. Giữ tóc và quần áo tránh xa các bộ phận chuyển động.** Quần áo rộng, đồ trang sức hay tóc dài có thể mắc vào các bộ phận chuyển động.
- Nếu các thiết bị bị được cung cấp để kết nối các thiết bị thu gom và hút bụi, hãy đảm bảo chúng được kết nối và sử dụng hợp lý.** Việc sử dụng thiết bị thu gom bụi có thể làm giảm những mối nguy hiểm liên quan đến bụi.
- Không vì quen thuộc do thường xuyên sử dụng các dụng cụ mà cho phép bạn trở nên tự mãn và bỏ qua các nguyên tắc an toàn dụng cụ.** Một hành động bất cẩn có thể gây ra thương tích nghiêm trọng trong một phần của một giây.
- Luôn luôn mang kính bảo hộ để bảo vệ mắt khỏi bị thương khi đang sử dụng các dụng cụ máy. Kính bảo hộ phải tuân thủ ANSI Z87.1 ở Mỹ, EN 166 ở Châu Âu, hoặc AS/NZS 1336 ở Úc/New Zealand.** Tại Úc/New Zealand, theo luật pháp, bạn cũng phải mang mặt nạ che mặt để bảo vệ mặt.



Trách nhiệm của chủ lao động là bắt buộc người vận hành dụng cụ và những người khác trong khu vực làm việc cảnh đó phải sử dụng các thiết bị bảo hộ an toàn thích hợp.

Sử dụng và bảo quản dụng cụ máy

1. **Không dùng lực đối với dụng cụ máy. Sử dụng đúng dụng cụ máy cho công việc của bạn.** Sử dụng đúng dụng cụ máy sẽ giúp thực hiện công việc tốt hơn và an toàn hơn theo giá trị định mức được thiết kế của dụng cụ máy đó.
2. **Không sử dụng dụng cụ máy nếu công tắc không bật và tắt được dụng cụ máy đó.** Mọi dụng cụ máy không thể điều khiển được bằng công tắc đều rất nguy hiểm và phải được sửa chữa.
3. **Rút phích cắm ra khỏi nguồn điện và/hoặc tháo kết nối bộ pin khỏi dụng cụ máy, nếu có thể tháo rời trước khi thực hiện bất kỳ công việc điều chỉnh, thay đổi phụ tùng hay cất giữ dụng cụ máy nào.** Những biện pháp an toàn phòng ngừa này sẽ giảm nguy cơ vô tình khởi động dụng cụ máy.
4. **Cất giữ các dụng cụ máy không sử dụng ngoài tầm với của trẻ em và không cho bất kỳ người nào không có hiểu biết về dụng cụ máy hoặc các hướng dẫn này vận hành dụng cụ máy.** Dụng cụ máy sẽ rất nguy hiểm nếu được sử dụng bởi những người dùng chưa qua đào tạo.
5. **Bảo dưỡng dụng cụ máy và các phụ kiện.** Kiểm tra tình trạng lệch trục hoặc bó kẹt của các bộ phận chuyên động, hiện tượng nứt vỡ của các bộ phận và mọi tình trạng khác mà có thể ảnh hưởng đến hoạt động của dụng cụ máy. Nếu có hỏng hóc, hãy sửa chữa dụng cụ máy trước khi sử dụng. Nhiều tai nạn xảy ra là do không bảo quản tốt dụng cụ máy.
6. **Luôn giữ cho dụng cụ cất được sắc bén và sạch sẽ.** Những dụng cụ cất được bảo quản tốt có mép cắt sắc sẽ ít bị kẹt hơn và dễ điều khiển hơn.
7. **Sử dụng dụng cụ máy, phụ tùng và đầu dụng cụ cắt, v.v... theo các hướng dẫn này, có tính đến điều kiện làm việc và công việc được thực hiện.** Việc sử dụng dụng cụ máy cho các công việc khác với công việc dự định có thể gây nguy hiểm.
8. **Giữ tay cầm và bề mặt tay cầm khô, sạch, không dính dầu và mỡ.** Tay cầm trơn trượt và bề mặt tay cầm không cho phép xử lý an toàn và kiểm soát dụng cụ trong các tình huống bất ngờ.

9. **Khí sử dụng dụng cụ, không được đi gang tay lao động bằng vải, có thể bị vướng.** Việc gang tay lao động bằng vải vướng vào các bộ phận chuyên động có thể gây ra thương tích cá nhân.

Sử dụng và bảo quản dụng cụ dùng pin

1. **Chỉ sạc pin lại với bộ sạc do nhà sản xuất quy định.** Bộ sạc phù hợp với một loại bộ pin này có thể gây ra nguy cơ hỏa hoạn khi được dùng cho một bộ pin khác.
2. **Chỉ sử dụng các dụng cụ máy với các bộ pin được quy định cụ thể.** Việc sử dụng bất cứ bộ pin nào khác có thể gây ra thương tích và hỏa hoạn.
3. **Khí không sử dụng bộ pin, hãy giữ tránh xa các đồ vật khác bằng kim loại, chẳng hạn như kẹp giấy, tiền xu, chìa khóa, đinh, ốc vít hoặc các vật nhỏ bằng kim loại mà có thể làm nối tắt các đầu cực pin.** Các đầu cực pin bị đoản mạch có thể gây cháy hoặc hỏa hoạn.
4. **Trong điều kiện sử dụng quá mức, pin có thể bị cháy nước; hãy tránh tiếp xúc.** Nếu vô tình tiếp xúc với pin bị cháy nước, hãy rửa sạch bằng nước. Nếu dung dịch từ pin tiếp xúc với mắt, cần đi khám bác sĩ thêm. Dung dịch chảy ra từ pin có thể gây rất da hoặc bỏng.
5. **Không sử dụng bộ pin hoặc dụng cụ bị hư hỏng hoặc đã bị sửa đổi.** Pin đã bị hư hỏng hoặc đã bị sửa đổi có thể hành động theo cách không thể đoán trước dẫn đến cháy, nổ hoặc nguy cơ chấn thương.
6. **Không để bộ pin hoặc dụng cụ tiếp xúc với lửa hoặc nhiệt độ quá cao.** Tiếp xúc với lửa hoặc nhiệt độ trên 130 °C có thể gây ra cháy nổ.
7. **Làm theo tất cả các hướng dẫn sạc pin và không được sạc bộ pin hoặc dụng cụ vượt giới hạn nhiệt độ quy định trong hướng dẫn.** Sạc pin không đúng hoặc ở nhiệt độ vượt giới hạn nhiệt độ có thể gây hư hỏng cho pin và làm tăng nguy cơ cháy.

Bảo dưỡng

1. **Đề nghị viên sửa chữa đủ trình độ bảo dưỡng dụng cụ máy của bạn và chỉ sử dụng các bộ phận thay thế đồng nhất.** Việc này sẽ đảm bảo duy trì được độ an toàn của dụng cụ máy.
2. **Không bao giờ sử dụng bộ pin đã hỏng.** Dịch vụ bảo hành bộ pin chỉ nên thực hiện bởi nhà sản xuất hoặc các nhà cung cấp dịch vụ được ủy quyền.
3. **Tuân theo hướng dẫn dành cho việc bôi trơn và thay phụ tùng.**

Cảnh Báo An Toàn Cho Máy Cưa Cảnh Trên Cao Có Đầu Nổi Điều Chỉnh Cầm Tay Hoạt Động Bằng Pin

Các biện pháp phòng ngừa chung

1. **Trước khi khởi động dụng cụ, hãy đọc tài liệu hướng dẫn này để làm quen với việc điều khiển dụng cụ.**
2. **Không cho người không đủ kinh nghiệm hoặc kiến thức liên quan đến điều khiển dụng cụ mượn dụng cụ.**
3. **Khí cho mượn dụng cụ, luôn kèm theo tài liệu hướng dẫn này.**

4. Không cho phép trẻ em hoặc thanh thiếu niên dưới 18 tuổi sử dụng dụng cụ. Giữ chúng tránh xa dụng cụ.
5. Cần hết sức cẩn thận và chú ý khi điều khiển dụng cụ.
6. Không bao giờ sử dụng dụng cụ sau khi dùng rượu hoặc các chất ma túy, hoặc nếu cảm thấy mệt hoặc bệnh.
7. Không được thử cải tạo dụng cụ.
8. Không sử dụng dụng cụ trong điều kiện thời tiết xấu, đặc biệt là khi có nguy cơ sấm sét. Việc này sẽ làm giảm được nguy cơ bị sét đánh.
9. Dụng cụ có thể bị hạn chế sử dụng theo các quy định của quốc gia. Phải tuân thủ các quy định về điều khiển dụng cụ ở đất nước của bạn.

Thiết bị bảo hộ cá nhân

1. Đội mũ bảo hộ, đeo kính bảo hộ và găng tay bảo hộ để bảo vệ bản thân khỏi các mảnh vụn bay ra hoặc các vật rơi xuống.
2. Mang thiết bị bảo vệ tai như đồ chụp tai để tránh mất thính lực.
3. Mặc quần áo và mang giày thích hợp để vận hành an toàn, chẳng hạn như quần áo bảo hộ liền thân và ủng cứng, chống trượt. Không mặc quần áo rộng hay đeo đồ trang sức. Quần áo rộng, đồ trang sức hay tóc dài có thể mắc vào các bộ phận chuyển động.
4. Khi điều khiển xích cưa hoặc điều chỉnh lực căng xích, hãy mang găng tay bảo hộ. Xích cưa có thể làm đứt tay trần nghiêm trọng.

An toàn tại khu vực làm việc

1. Giữ dụng cụ cách xa đường dây điện và cáp liên lạc (bao gồm các nhánh tiếp xúc với chúng) ít nhất 15 m. Việc chạm vào hoặc đến gần đường dây cao thế với dụng cụ có thể dẫn đến tử vong hoặc thương tích nghiêm trọng. Quan sát các mạng lưới điện và hàng rào điện xung quanh khu vực làm việc trước khi bắt đầu vận hành.
2. Chỉ vận hành dụng cụ trong điều kiện tầm nhìn tốt và đủ điều kiện ánh sáng ban ngày. Không vận hành dụng cụ trong bóng tối hoặc lúc có sương mù.
3. Trong quá trình vận hành, không bao giờ đứng trên bề mặt không ổn định hoặc trơn trượt hay sườn dốc. Vào mùa đông, hãy cẩn thận với băng và tuyết đồng thời luôn đảm bảo chỗ để chân cố định.
4. Trong quá trình vận hành, giữ những người xung quanh hoặc động vật tránh xa dụng cụ ít nhất 15 m. Ngừng dụng cụ ngay khi có ai đó lại gần.
5. Khi làm việc với hai người trở lên, giữ khoảng cách ít nhất từ 15 m trở lên với nhau và có người giám sát.
6. Trước khi vận hành, kiểm tra khu vực làm việc để xem có hàng rào kim loại, tường hoặc những vật cứng khác không. Chúng có thể làm hỏng xích cưa.

Chuẩn bị

1. Trước khi lắp ráp hoặc điều chỉnh dụng cụ, hãy tắt dụng cụ và tháo hộp pin.
2. Trước khi xử lý xích cưa hoặc điều chỉnh lực căng dây xích, hãy mang găng tay bảo hộ.
3. Trước khi khởi động dụng cụ, kiểm tra dụng cụ xem có hư hỏng, vít/đai ốc có lỏng lẻo hoặc lắp ráp không đúng cách hay không. Màu sắc xích cưa bị cũn. Nếu xích cưa bị cong hoặc bị hư hỏng, hãy thay thế nó. Kiểm tra tất cả các cần điều khiển và công tắc để thao tác dễ dàng. Lau sạch và giữ khô các tay cầm.
4. Không được cố khởi động dụng cụ nếu dụng cụ bị hỏng hoặc chưa được lắp ráp đầy đủ. Nếu không có thể dẫn đến thương tích nghiêm trọng.
5. Điều chỉnh dây nịt vai cho phù hợp với kích thước cơ thể người vận hành.
6. Điều chỉnh lực căng dây xích phù hợp. Đổ đầy dầu xích lại nếu cần thiết.

Khởi động dụng cụ

1. Đeo các thiết bị bảo hộ cá nhân trước khi khởi động dụng cụ.
2. Trước khi khởi động dụng cụ, đảm bảo rằng không có người hoặc động vật trong khu vực làm việc.
3. Khi lắp hộp pin, hãy giữ cho xích cưa và thanh dẫn hướng cách xa khỏi cơ thể bạn và các vật khác, bao gồm cả mặt đất. Xích cưa có thể di chuyển khi khởi động và có thể gây ra thương tích nghiêm trọng hoặc thiệt hại cho xích cưa và/hoặc tài sản.
4. Đặt dụng cụ trên mặt đất vững chắc. Duy trì sự cân bằng tốt và chỗ để chân chắc chắn.

Vận hành

1. Trong trường hợp khẩn cấp, hãy tắt dụng cụ ngay lập tức.
2. Nếu bạn nhận thấy bất kỳ tình trạng bất thường nào (ví dụ như tiếng ồn, rung động) trong quá trình vận hành, hãy tắt dụng cụ. Không sử dụng dụng cụ cho đến khi xác định và giải quyết được nguyên nhân.
3. Xích cưa sẽ tiếp tục di chuyển trong một khoảng thời gian ngắn sau khi tắt dụng cụ. Đứng vội tiếp xúc với xích cưa.
4. Sử dụng dây nịt vai trong quá trình vận hành. Giữ chặt dụng cụ bên hông phải của bạn.
5. Giữ tay cầm trước bằng tay trái và tay cầm sau bằng tay phải, dù cho bạn là người thuận tay trái hay tay phải. Hãy xo các ngón tay và ngón cái của bạn xung quanh tay cầm.
6. Chỉ giữ dụng cụ bằng các bề mặt kẹp cách điện, vì xích cưa có thể tiếp xúc với dây dẫn kín. Xích cưa tiếp xúc với dây dẫn "có điện" có thể khiến các bộ phận kim loại bị hở của dụng cụ tia trên cao "có điện" và khiến người vận hành bị điện giật.
7. Không được cố vận hành dụng cụ bằng một tay. Mắt kiểm soát có thể dẫn đến thương tích nghiêm trọng hoặc chết người. Để giảm nguy cơ thương tích, hãy giữ tay và chân của bạn tránh xa xích cưa.

8. Không với quá cao. Luôn giữ thăng bằng tốt và có chỗ để chân phù hợp. Cân thận với các chướng ngại vật không nhìn thấy được như gốc cây, rễ cây và các rãnh để tránh vấp ngã. Dọn sạch các nhánh cây rơi xuống và các vật khác.
9. Không được làm việc trên thang hoặc cây để tránh mất kiểm soát.
10. Nếu dụng cụ chịu tác động nặng hoặc bị rơi, hãy kiểm tra tình trạng của dụng cụ trước khi tiếp tục công việc. Nếu có bất kỳ hư hỏng hoặc nghi ngờ nào, hãy nhờ trung tâm dịch vụ được ủy quyền của Makita kiểm tra và sửa chữa.
11. Không chạm vào đầu của dụng cụ. Đầu của dụng cụ sẽ nóng lên trong quá trình vận hành.
12. Hãy nghỉ ngơi để tránh mất kiểm soát do mệt mỏi gây ra. Chúng tôi khuyến nghị nên nghỉ ngơi 10 đến 20 phút mỗi giờ.
13. Khi bạn rời khỏi dụng cụ, ngay cả trong một thời gian ngắn, hãy luôn tắt dụng cụ và tháo hộp pin ra. Dụng cụ đang hoạt động và không được giám sát có thể bị người không được phép sử dụng và gây ra tai nạn nghiêm trọng.
14. Khi vận hành dụng cụ, không đưa tay phải lên quá chiều cao vai của bạn.
15. Trong quá trình vận hành, tuyệt đối không để xích cưa đụng phải các chướng ngại vật cứng như đá và đinh. Đặc biệt cần thận khi cắt các cành cây bên cạnh tường, hàng rào kim loại hoặc tương tự.
16. Nếu cành cây vướng vào dụng cụ, luôn ngừng dụng cụ và tháo hộp pin. Nếu không, việc vô tình khởi động có thể gây ra thương tích nghiêm trọng.
17. Nếu xích cưa bị kẹt, luôn tắt dụng cụ và tháo hộp pin trước khi vệ sinh.
18. Tăng tốc dụng cụ với xích cưa bị khóa sẽ làm tăng tải và làm hỏng dụng cụ.
19. Trước khi cắt nhánh to, giữ khu vực thoát hiểm cách xa khỏi nhánh to rơi xuống. Đầu tiên, dọn sạch các vật cản như nhánh to và cành cây khỏi khu vực làm việc. Di chuyển tất cả dụng cụ và hàng hóa khỏi khu vực thoát hiểm đến một nơi an toàn khác.
20. Trước khi cắt cành cây và nhánh to, kiểm tra hướng rơi của chúng, xem xét điều kiện của cành cây và nhánh to, các cây bên cạnh, hướng gió, v.v... Hết sức chú ý đến hướng rơi và sự bật lại của cành cây sẽ chạm đất.
21. Tuyệt đối không cầm dụng cụ ở góc lớn hơn 60°. Nếu không, các vật rơi xuống có thể va vào người vận hành và gây ra thương tích nghiêm trọng. Tuyệt đối không đứng phía dưới nhánh cắt.
22. Chú ý đến cành cây bị gãy hoặc cong. Chúng có thể bật lại khi cắt, gây ra thương tích bất ngờ.
23. Trước khi cắt nhánh to mà bạn dự định cắt, hãy loại bỏ cành cây và lá cây xung quanh chúng. Nếu không, chúng có thể làm kẹt xích cưa.
24. Để ngăn xích cưa bị kẹt trong rãnh cắt, không được nhà cần trước khi kéo xích cưa ra khỏi rãnh cắt.
25. Nếu xích cưa bị kẹt chặt trong rãnh cưa, lập tức ngừng dụng cụ, cẩn thận di chuyển cành cây để mở rãnh cưa và giải phóng xích cưa.
26. Tránh lực đẩy ngược (lực phản ứng xoay về phía người vận hành). Để ngăn lực đẩy ngược, tuyệt đối không sử dụng mũi thanh dẫn hướng hoặc thực hiện cắt xuyên. Luôn cẩn thận với vị trí của mũi thanh dẫn hướng.
27. Kiểm tra lực căng dây xích thường xuyên. Khi kiểm tra hoặc điều chỉnh lực căng dây xích, hãy tắt dụng cụ và tháo hộp pin. Nếu lực căng lỏng, hãy kéo căng nó.
28. Khi bạn sử dụng dụng cụ trên mặt đất bùn lầy, sườn dốc ẩm ướt, hoặc nơi trơn trượt, hãy chú ý đến chỗ để chân của bạn.
29. Không nhúng dụng cụ vào vũng nước.
30. Không để dụng cụ ngoài trời mà không có người giám sát dưới trời mưa.

Vận chuyển

1. Trước khi vận chuyển dụng cụ, hãy tắt dụng cụ và tháo hộp pin. Luôn lắp vỏ bảo vệ thanh dẫn hướng trong quá trình vận chuyển.
2. Khi vận chuyển dụng cụ, hãy mang dụng cụ theo chiều ngang bằng cách cầm lấy tay cầm.

Bảo trì

1. Hãy để trung tâm dịch vụ ủy quyền của chúng tôi bảo trì thiết bị cho bạn, luôn chỉ sử dụng các bộ phận thay thế chính hãng. Sửa chữa không đúng và bảo trì kém có thể làm giảm tuổi thọ của dụng cụ và tăng nguy cơ tai nạn.
2. Trước khi thực hiện bất kỳ công việc bảo trì hoặc sửa chữa hay vệ sinh dụng cụ, luôn tắt dụng cụ và tháo hộp pin. Chờ cho đến khi dụng cụ nguội lại.
3. Luôn mang găng tay bảo hộ khi xử lý xích cưa.
4. Sau mỗi lần sử dụng, vặn chặt tất cả vít và đai ốc, trừ các vít điều chỉnh.
5. Giữ xích cưa sắc bén. Nếu xích cưa trở nên cùn và hiệu suất cắt kém, hãy nhờ trung tâm dịch vụ được ủy quyền của Makita mài sắc xích cưa hoặc thay bằng xích cưa mới.
6. Không có thực hiện bất kỳ việc bảo trì hoặc sửa chữa nào không được mô tả trong tài liệu hướng dẫn này. Hãy nhờ trung tâm dịch vụ được ủy quyền của Makita cho công việc này.
7. Chỉ sử dụng phụ kiện và các bộ phận thay thế chính hãng của Makita. Sử dụng các bộ phận hoặc phụ kiện do bên thứ ba cung cấp có thể làm hư hỏng dụng cụ, thiết bị tai sản và/hoặc gây thương tích nghiêm trọng.

Cắt giữ

1. Trước khi cắt giữ dụng cụ, hãy thực hiện vệ sinh và bảo trì toàn bộ. Lắp vỏ bảo vệ thanh dẫn hướng. Tháo hộp pin. Xả đầu xích sau khi dụng cụ nguội lại.
2. Cắt giữ dụng cụ ở nơi khô thoáng, cao ráo hoặc nơi có khóa xa tầm với của trẻ em.
3. Đứng kê dụng cụ tự vào vật nào đó, chẳng hạn như bức tường. Nếu không dụng cụ có thể rơi bất ngờ và gây thương tích.
4. Khi cắt giữ dụng cụ, tránh ánh nắng trực tiếp và mưa, cắt giữ ở nơi không nóng hoặc ẩm ướt.

An toàn về điện và pin

1. **Không thái bỏ (các) viên pin vào lửa.** Viên pin có thể phát nổ. Kiểm tra bằng mã địa phương để biết hướng dẫn thái bỏ đặc biệt nếu có.
2. **Không mở hay cắt xén (các) viên pin.** Chất điện phân thải ra có tính ăn mòn và có thể gây tổn thương cho mắt hoặc da. Có thể độc hại nếu nuốt phải.
3. **Không sạc pin trong mưa, hoặc nơi ẩm ướt.**
4. **Không sạc pin ở ngoài trời.**
5. **Không thao tác bộ sạc, bao gồm phích cắm của bộ sạc, và điện cực của bộ sạc bằng tay ướt.**
6. **Tránh môi trường nguy hiểm. Không được sử dụng dụng cụ tại những nơi bừa bộn hoặc ẩm ướt hay dễ chúng tiếp xúc với máy.** Nước lọt vào dụng cụ sẽ làm tăng nguy cơ điện giật.
7. **Không thay pin dưới trời mưa.**

LƯU GIỮ CÁC HƯỚNG DẪN NÀY.

⚠CẢNH BÁO: KHÔNG vì đã thoải mái hay quen thuộc với sản phẩm (có được do sử dụng nhiều lần) mà không tuân thủ nghiêm ngặt các quy định về an toàn dành cho sản phẩm này. **VIỆC DÙNG SAI** hoặc KHÔNG tuân theo các quy định về an toàn được nêu trong tài liệu hướng dẫn này có thể dẫn đến thương tích cá nhân nghiêm trọng.

Hướng dẫn quan trọng về an toàn dành cho hộp pin

1. Trước khi sử dụng hộp pin, hãy đọc kỹ tất cả các hướng dẫn và dấu hiệu cảnh báo trên (1) bộ sạc pin, (2) pin và (3) sản phẩm sử dụng pin.
2. Không tháo rời hoặc làm thay đổi hộp pin. Việc này có thể dẫn đến hỏa hoạn, quá nhiệt hoặc nổ.
3. Nếu thời gian vận hành ngắn hơn quá mức, hãy ngừng vận hành ngay lập tức. Điều này có thể dẫn đến rùi ro quá nhiệt, có thể gây bỏng và thậm chí là nổ.
4. Nếu chất điện phân rơi vào mắt, hãy rửa sạch bằng nước sạch và đến cơ sở y tế ngay lập tức. Chất này có thể khiến bạn giảm thị lực.
5. Không để hộp pin ở tình trạng đoản mạch:
 - (1) Không chạm vào cực pin bằng vật liệu dẫn điện.
 - (2) Tránh cất giữ hộp pin trong hộp có các vật kim loại khác như đinh, tiền xu, v.v...
 - (3) Không được để hộp pin tiếp xúc với nước hoặc mưa.Đoản mạch pin có thể gây ra dòng điện lớn, quá nhiệt, có thể gây bỏng và thậm chí là hỏng hóc.
6. Không cất giữ cũng như sử dụng dụng cụ và hộp pin ở nơi nhiệt độ có thể lên tới hoặc vượt quá 50 °C (122 °F).
7. Không đốt hộp pin ngay cả khi hộp pin đã bị hư hại nặng hoặc hư hỏng hoàn toàn. Hộp pin có thể nổ khi tiếp xúc với lửa.

8. **Không đóng đinh, cắt, nghiền nát, ném, làm rơi hộp pin hoặc va vật cứng vào hộp pin.** Làm như thế có thể dẫn đến hỏa hoạn, quá nhiệt hoặc nổ.
9. **Không sử dụng pin đã hỏng.**
10. **Pin nèn lithium-ion là đối tượng có yêu cầu bắt buộc theo Luật Hàng hoá Nguy hiểm.**
Đối với vận tải thương mại, ví dụ như vận tải do bên thứ ba, đại lý giao nhận, thì yêu cầu đặc biệt về đóng gói và nhãn ghi phải được giám sát. Để chuẩn bị cho mặt hàng cần vận chuyển, cần phải tham khảo ý kiến chuyên gia về vật liệu nguy hiểm. Nếu được, vui lòng tuân thủ các quy định quốc gia chi tiết hơn.
Buộc hoặc niêm phong các tiếp điểm mở và đóng gói pin theo cách đó để nó không thể di chuyển trong bao bì.
11. **Khí vút bỏ hộp pin, hãy tháo chúng khỏi dụng cụ và thái bỏ ở nơi an toàn. Phải tuân thủ theo các quy định của địa phương liên quan đến việc thái bỏ pin.**
12. **Chỉ sử dụng pin cho các sản phẩm Makita chỉ định.** Lắp pin vào sản phẩm không thích hợp có thể gây ra hỏa hoạn, quá nhiệt, nổ, hoặc rò chất điện phân.
13. **Nếu dụng cụ không được sử dụng trong một thời gian dài, cần phải tháo pin ra khỏi dụng cụ.**
14. **Trong và sau khi sử dụng, hộp pin có thể bị nóng, có thể gây bỏng hoặc bỏng ở nhiệt độ thấp. Chú ý xử lý hộp pin nóng.**
15. **Không chạm vào điện cực của dụng cụ ngay sau khi sử dụng vì điện cực đủ nóng để gây bỏng.**
16. **Không để vận bào, bụi hoặc đất bám vào các điện cực, lỗ và rãnh của hộp pin.** Điều này có thể làm nóng, bắt lửa, nổ và gây trục trặc cho dụng cụ hoặc hộp pin, dẫn đến bỏng hoặc thương tích cá nhân.
17. **Trừ khi dụng cụ hỗ trợ sử dụng gần đường dây điện cao thế, không sử dụng hộp pin gần đường dây điện cao thế.** Việc này có thể dẫn đến trục trặc hoặc hỏng hóc dụng cụ hay hộp pin.
18. **Giữ pin tránh xa trẻ em.**

LƯU GIỮ CÁC HƯỚNG DẪN NÀY.

⚠THẬN TRỌNG: Chỉ sử dụng pin Makita chính hãng. Việc sử dụng pin không chính hãng Makita, hoặc pin đã được sửa đổi, có thể dẫn đến nổ pin gây ra cháy, thương tích và thiệt hại cá nhân. Nó cũng sẽ làm mất hiệu lực bảo hành của Makita dành cho dụng cụ của Makita và bộ sạc.

Mẹo duy trì tuổi thọ tối đa cho pin

1. Sạc hộp pin trước khi pin bị xả điện hoàn toàn. Luôn dừng việc vận hành dụng cụ và sạc pin khi bạn nhận thấy công suất dụng cụ bị giảm.
2. Không được phép sạc lại một hộp pin đã được sạc đầy. Sạc quá mức sẽ làm giảm tuổi thọ của pin.

- Sạc pin ở nhiệt độ phòng 10°C - 40°C. Để cho hộp pin nóng nguội lại dần trước khi sạc pin.
- Khi không sử dụng hộp pin, hãy tháo hộp pin ra khỏi dụng cụ hoặc bộ sạc.
- Sạc pin sáu tháng một lần nếu bạn không sử dụng dụng cụ trong một thời gian dài (hơn sáu tháng).

MÔ TẢ CÁC BỘ PHẬN

► Hình1

1	Đèn nguồn chính	2	Công tắc nguồn chính	3	Móc gắn
4	Cần nhả khóa	5	Hộp pin	6	Cần khởi động công tắc
7	Tay cầm sau	8	Xích cưa	9	Thanh dẫn hướng
10	Nắp bình chứa dầu	11	Vòng khóa	12	Đai ốc an toàn
13	Vít điều chỉnh xích	14	Vỏ bảo vệ thanh dẫn hướng	15	Tay nắm trước

MÔ TẢ CHỨC NĂNG

⚠ THẬN TRỌNG: Luôn đảm bảo rằng đã tắt dụng cụ và tháo hộp pin ra trước khi thực hiện việc điều chỉnh hoặc kiểm tra chức năng trên dụng cụ.

Lắp hoặc tháo hộp pin

⚠ THẬN TRỌNG: Luôn tắt dụng cụ trước khi lắp hoặc tháo hộp pin.

⚠ THẬN TRỌNG: Giữ dụng cụ và hộp pin thật chắc khi lắp hoặc tháo hộp pin. Không giữ dụng cụ và hộp pin thật chắc có thể làm trượt chúng khỏi tay và làm hư hỏng dụng cụ và hộp pin hoặc gây thương tích cá nhân.

► **Hình2:** 1. Chỉ báo màu đỏ 2. Nút 3. Hộp pin

Để tháo hộp pin, vừa trượt pin ra khỏi dụng cụ vừa đẩy trượt nút ở phía trước hộp pin.

Để lắp hộp pin, đặt thẳng hàng phần chốt nhô ra của hộp pin vào phần rãnh nằm trên vỏ và trượt hộp pin vào vị trí. Đưa hộp pin vào hết mức cho đến khi chốt khóa vào đúng vị trí với một tiếng cách nhẹ. Nếu bạn có thể nhìn thấy chỉ báo màu đỏ như thể hiện trong hình, điều đó có nghĩa vẫn chưa được khóa hoàn toàn.

⚠ THẬN TRỌNG: Luôn lắp hộp pin khớp hoàn toàn vào vị trí cho đến khi không thể nhìn thấy chỉ báo màu đỏ. Nếu không, hộp pin có thể vỡ tình rơi ra khỏi dụng cụ, gây thương tích cho bạn hoặc người khác xung quanh.

⚠ THẬN TRỌNG: Không được dùng sức lắp hộp pin. Nếu hộp pin không nhẹ nhàng trượt vào vị trí, có nghĩa là pin vẫn chưa được lắp đúng.

Chỉ báo dung lượng pin còn lại

Ấn nút check (kiểm tra) trên hộp pin để chỉ báo dung lượng pin còn lại. Các đèn chỉ báo bật sáng lên trong vài giây.

► **Hình3:** 1. Các đèn chỉ báo 2. Nút Check (kiểm tra)

Các đèn chỉ báo			Dung lượng còn lại
Bật sáng	Tắt	Nhấp nháy	
■ ■ ■ ■			75% đến 100%
■ ■ ■ □			50% đến 75%
■ ■ □ □			25% đến 50%
■ □ □ □			0% đến 25%
■ □ □ □		⚡	Sạc pin.
■ ■ □ □		↑ ↓	Pin có thể đã bị hỏng.
□ □ ■ ■			

LƯU Ý: Tùy thuộc vào các điều kiện sử dụng và nhiệt độ xung quanh, việc chỉ báo có thể khác biệt một chút so với dung lượng thực sự.

LƯU Ý: Đèn chỉ báo (phía xa bên trái) đầu tiên sẽ nhấp nháy khi hệ thống bảo vệ pin hoạt động.

Hệ thống bảo vệ dụng cụ / pin

Dụng cụ này được trang bị hệ thống bảo vệ dụng cụ / pin. Hệ thống này sẽ tự động ngắt nguồn điện đến động cơ để kéo dài tuổi thọ dụng cụ và pin. Dụng cụ sẽ tự động dừng vận hành khi dụng cụ hoặc pin ở một trong những trường hợp sau đây:

Bảo vệ quá tải

Khi vận hành pin trong điều kiện làm máy tiêu tốn dòng cao bất thường, dụng cụ sẽ tự động dừng lại và đèn nguồn chính màu xanh lá cây sẽ nhấp nháy. Trong trường hợp này, hãy tắt dụng cụ và ngừng ứng dụng làm cho dụng cụ trở nên quá tải. Sau đó bật dụng cụ lên để khởi động lại.

Bảo vệ quá nhiệt

Khi bị quá nhiệt, dụng cụ hoặc pin sẽ tự động dừng và đèn nguồn chính màu đỏ sẽ nhấp nháy. Trong trường hợp này, hãy để dụng cụ và pin nguội trước khi bật dụng cụ lại.

LƯU Ý: Trong môi trường nhiệt độ cao, thiết bị bảo vệ quá nhiệt có khả năng hoạt động khiến dụng cụ dừng tự động.

Bảo vệ xả điện quá mức

Khi dung lượng pin không đủ, dụng cụ sẽ tự động dừng và đèn nguồn chính màu đỏ sẽ nhấp nháy. Trong trường hợp này, hãy tháo pin khỏi dụng cụ và sạc pin lại.

Bảo vệ chống lại các nguyên nhân khác

Hệ thống bảo vệ cũng được thiết kế để chống lại các nguyên nhân khác có thể làm hỏng dụng cụ và cho phép dụng cụ tự động dừng. Thực hiện tất cả các bước sau đây để loại bỏ các nguyên nhân, khi dụng cụ đã được tạm dừng hoặc ngừng hoạt động.

1. Tắt dụng cụ, sau đó bật lại lần nữa để khởi động lại.
2. Sạc (các) pin hoặc thay pin/các pin bằng (các) pin đã sạc.
3. Để máy và (các) pin nguội dần.

Nếu không thấy cải thiện bằng cách khôi phục hệ thống bảo vệ, hãy liên hệ với Trung tâm Dịch vụ Makita tại địa phương của bạn.

Công tắc nguồn chính

⚠CẢNH BÁO: Luôn luôn tắt công tắc nguồn chính khi không sử dụng.

Để bật dụng cụ, nhấn công tắc nguồn chính. Để tắt nguồn, nhấn công tắc nguồn chính lần nữa.

► **Hình4:** 1. Đèn nguồn chính 2. Công tắc nguồn chính

LƯU Ý: Đèn nguồn chính sẽ nhấp nháy màu xanh lá khi bạn bật công tắc nguồn chính trong lúc giữ cần nhà khóa và kéo cần khởi động công tắc. Trong trường hợp này, hãy nhả cần khởi động công tắc và cần nhà khóa, sau đó bật công tắc nguồn chính.

LƯU Ý: Dụng cụ này sử dụng chức năng tắt nguồn tự động. Để tránh việc khởi động ngoài ý muốn, công tắc nguồn chính sẽ tự động tắt khi cần khởi động công tắc không được kéo trong một khoảng thời gian nhất định sau khi công tắc nguồn chính được bật lên.

Hoạt động công tắc

⚠CẢNH BÁO: Để bạn được an toàn, dụng cụ này đều được trang bị cần nhà khóa nhằm ngăn ngừa vô ý khởi động dụng cụ. **KHÔNG BAO GIỜ** sử dụng công cụ bằng cách chỉ kéo cần khởi động công tắc mà không nhấn cần nhà khóa. Hãy trả dụng cụ lại cho một trung tâm dịch vụ được ủy quyền của chúng tôi để sửa chữa phù hợp **TRƯỚC** KHI sử dụng tiếp sau này.

⚠CẢNH BÁO: **KHÔNG BAO GIỜ** dán chặt xuống hoặc vô hiệu mục đích và chức năng của cần nhà khóa.

⚠THẬN TRỌNG: Trước khi lắp hộp pin vào dụng cụ, luôn luôn kiểm tra xem cần khởi động công tắc có hoạt động bình thường hay không và trả về vị trí "OFF" (TẮT) khi nhả ra.

CHÚ Ý: Không được kéo cần khởi động công tắc mà không nhấn cần nhà khóa. Điều này có thể làm gãy nứt công tắc.

Để ngăn ngừa vô tình kéo cần khởi động công tắc, dụng cụ được trang bị một cần nhà khóa. Để khởi động dụng cụ, nhả cần nhà khóa và kéo cần khởi động công tắc. Tốc độ dụng cụ được tăng lên bằng cách tăng lực ép lên cần khởi động công tắc. Nhả cần khởi động công tắc ra để dừng.

► **Hình5:** 1. Cần khởi động công tắc 2. Cần nhà khóa

Điều chỉnh độ dài ống

Để kéo dài hoặc rút ngắn ống, nới lỏng vòng khóa bằng cách xoay vòng khóa ngược chiều kim đồng hồ, sau đó điều chỉnh độ dài của ống, rồi vặn chặt vòng bằng cách xoay vòng khóa theo chiều kim đồng hồ.

► **Hình6:** 1. Vòng khóa 2. Ống

LẮP RÁP

⚠THẬN TRỌNG: Luôn đảm bảo rằng đã tắt dụng cụ và tháo hộp pin ra trước khi thực hiện bất cứ thao tác nào trên dụng cụ.

⚠THẬN TRỌNG: Không chạm vào xích cưa bằng tay trần. Luôn mang găng tay khi xử lý xích cưa.

Lắp ráp dụng cụ

1. Tháo 2 nắp ra khỏi ống và 1 nắp ra khỏi đầu của dụng cụ.

► **Hình7:** 1. Nắp 2. Ống 3. Đầu dụng cụ

2. Nới lỏng 3 bu-lông, sau đó tháo 1 bu-lông bằng cách sử dụng cờ lê lục giác.

► **Hình8:** 1. Bu-lông

3. Lắp ống vào thân dụng cụ hết mức, sau đó căn chỉnh lỗ trên ống với lỗ trên thân dụng cụ.

► **Hình9:** 1. Lỗ 2. Ống

4. Vận chặt 3 bu-lông bằng cách sử dụng cờ lê lục giác.

► **Hình10:** 1. Bu-lông

5. Nới lỏng 2 bu-lông, sau đó tháo 1 bu-lông.

► **Hình11:** 1. Bu-lông

6. Nới lỏng vòng khóa bằng cách xoay vòng khóa ngược chiều kim đồng hồ, sau đó kéo dài ống khoảng 10 cm trở lên, rồi vận chặt vòng khóa bằng cách xoay vòng khóa theo chiều kim đồng hồ.

► **Hình12:** 1. Vòng khóa 2. 10 cm trở lên 3. Ống

7. Lắp ống vào đầu của dụng cụ hết cỡ, sau đó căn chỉnh lỗ trên ống với lỗ trên đầu của dụng cụ.

► **Hình13:** 1. Lỗ 2. Ống

8. Vận chặt 2 bu-lông bằng cách sử dụng cờ lê lục giác.

► **Hình14:** 1. Bu-lông

Lắp hoặc tháo xích cưa

⚠THẬN TRỌNG: Xích cưa và thanh dẫn hướng vẫn còn nóng ngay sau khi hoạt động. Để chúng giảm nhiệt xuống vừa đủ trước khi tiến hành bất kỳ công việc nào trên dụng cụ.

⚠THẬN TRỌNG: Tiến hành quy trình lắp đặt hoặc tháo xích cưa ở nơi thoáng mát không có bụi bẩn và những nơi tương tự.

Lắp xích cưa

Để lắp xích cưa, hãy thực hiện các bước sau:

1. Nới lỏng vít điều chỉnh xích cưa, rồi đến đai ốc an toàn.

► **Hình15:** 1. Đai ốc an toàn 2. Vít điều chỉnh xích 3. Vỏ bảo vệ đĩa xích

2. Tháo bỏ vỏ bảo vệ đĩa xích.

3. Kiểm tra hướng của xích cưa. Căn hướng của xích cưa trùng với hướng của dấu trên thân dụng cụ.

► **Hình16:** 1. Đánh dấu trên thân máy cưa xích

4. Lắp một đầu của xích cưa lên đỉnh của thanh dẫn hướng. Lắp đầu còn lại của xích cưa quanh đĩa xích. Đảm bảo xích cưa được lắp đúng trên đĩa xích và lắp đúng vào rãnh của thanh dẫn hướng.

5. Gắn thanh dẫn hướng vào thân dụng cụ, căn chỉnh lỗ trên thanh dẫn hướng với chốt trên thân dụng cụ.

► **Hình17:** 1. Lỗ 2. Đĩa xích

6. Lắp phần nhô ra trên vỏ bảo vệ đĩa xích vào thân dụng cụ, sau đó đóng vỏ bảo vệ sao cho bu-lông và chốt trên thân dụng cụ khớp với phần tương ứng trên vỏ bảo vệ.

► **Hình18:** 1. Vỏ bảo vệ đĩa xích 2. Phần nhô ra 3. Bu-lông 4. Chốt

7. Vận chặt đai ốc an toàn để cố định vỏ bảo vệ đĩa xích, sau đó nới lỏng một chút để điều chỉnh lực căng.

► **Hình19:** 1. Đai ốc an toàn

Sau khi lắp xích cưa, điều chỉnh lực căng xích cưa bằng cách tham khảo nội dung phần điều chỉnh lực căng xích cưa.

Tháo xích cưa

Để tháo xích cưa, hãy thực hiện các bước sau:

1. Nới lỏng vít điều chỉnh xích cưa, rồi đến đai ốc an toàn.

► **Hình20:** 1. Đai ốc an toàn 2. Vít điều chỉnh xích

2. Tháo vỏ bảo vệ đĩa xích, sau đó tháo xích cưa và thanh dẫn hướng ra khỏi thân dụng cụ.

Điều chỉnh lực căng xích cưa

⚠THẬN TRỌNG: Không vận chặt xích cưa quá mức. Lực căng của xích cưa quá cao có thể làm đứt xích cưa và mòn thanh dẫn hướng.

⚠THẬN TRỌNG: Một dây xích quá lỏng có thể rớt ra khỏi thanh dẫn hướng và nó có thể gây ra tai nạn chấn thương.

Xích cưa có thể trở nên lỏng lẻo sau nhiều giờ sử dụng. Thành thạo kiểm tra lực căng xích cưa trước khi sử dụng.

1. Nới lỏng đai ốc an toàn một chút để nới nhẹ vỏ bảo vệ đĩa xích.

► **Hình21:** 1. Đai ốc an toàn

2. Nâng đầu thanh dẫn hướng lên một chút và điều chỉnh lực căng dây xích. Xoay vít điều chỉnh xích ngược chiều kim đồng hồ để vận chặt, xoay theo chiều kim đồng hồ để nới lỏng.

Vận chặt xích cưa cho đến khi bên thấp hơn của xích cưa vừa khít với thanh dẫn hướng như hình minh họa.

► **Hình22:** 1. Thanh dẫn hướng 2. Xích cưa 3. Vít điều chỉnh xích

3. Tiếp tục giữ nhẹ thanh dẫn hướng và gắn vỏ bảo vệ đĩa xích.

Đảm bảo xích cưa không bị lỏng ở bên thấp hơn.

4. Vận chặt đai ốc khóa để cố định vỏ bảo vệ đĩa xích.

► **Hình23:** 1. Đai ốc an toàn

VẬN HÀNH

Tra dầu mỡ

CHÚ Ý: Khi nạp dầu xích lần đầu tiên, hoặc làm đầy lại bình sau khi đã bị dọn sạch hoàn toàn, hãy thêm dầu lên đến cạnh đáy của cổ bình lọc. Nếu không, việc cung cấp dầu có thể bị ảnh hưởng.

CHÚ Ý: Chỉ sử dụng dầu xích cưa cho máy cưa xích Makita hoặc loại dầu tương đương có trên thị trường.

CHÚ Ý: Không bao giờ sử dụng dầu chứa bụi và các hạt bụi hoặc dầu dễ bay hơi.

CHÚ Ý: Khi cắt tia cây, hãy sử dụng dầu thực vật. Dầu mỏ có thể gây hại cho cây.

CHÚ Ý: Trước khi vận hành cắt, đảm bảo rằng nắp bình dầu được cung cấp đã gắn chặt đúng vị trí.

Xích cưa sẽ được bôi trơn tự động khi dụng cụ vận hành. Kiểm tra lượng dầu còn lại trong bình chứa dầu định kỳ.

► **Hình24:** 1. Bình chứa dầu

Để đổ đầy lại bình chứa, đặt dụng cụ trên bề mặt phẳng, sau đó nhấn nút trên nắp bình chứa dầu để nút ở phía còn lại bật lên rồi tháo nắp bình chứa dầu bằng cách xoay nó.

Lượng dầu thích hợp là 160 ml. Sau khi đổ đầy lại bình chứa, đảm bảo đã vận chặt nắp bình chứa dầu.

► **Hình25:** 1. Nắp bình chứa dầu 2. Vận chặt 3. Nơi lỏng

LƯU Ý: Nếu khó tháo nắp bình chứa dầu, hãy lắp cờ lê ống lồng vào khe của nắp bình chứa dầu, sau đó tháo nắp bình chứa dầu bằng cách xoay nó ngược chiều kim đồng hồ.

► **Hình26:** 1. Khe 2. Cờ lê ống lồng

Sau khi đổ đầy lại, hãy giữ dụng cụ tránh xa khỏi cây. Khởi động dụng cụ và chờ cho đến khi dầu bôi trơn trên xích cưa.

► **Hình27**

Lắp dây nịt vai

⚠ THẬN TRỌNG: Khi bạn sử dụng dụng cụ kết hợp với nguồn điện kiểu đeo trên vai như bộ cấp nguồn di động đeo vai, không sử dụng dây nịt vai có trong thùng đóng gói của dụng cụ mà hãy sử dụng băng treo được Makita khuyến dùng.

Nếu bạn đeo dây nịt vai có trong thùng đóng gói của dụng cụ và dây nịt vai của nguồn điện kiểu đeo trên vai cùng một lúc, việc tháo dụng cụ hoặc nguồn điện kiểu đeo trên vai sẽ rất khó khăn trong trường hợp khẩn cấp và có thể gây ra tai nạn hoặc thương tích. Đối với băng treo được khuyến dùng, hãy hỏi Trung tâm dịch vụ được ủy quyền của Makita.

⚠ THẬN TRỌNG: Luôn sử dụng dây nịt vai được gắn vào dụng cụ. Trước khi vận hành, điều chỉnh dây nịt vai theo kích cỡ người sử dụng để tránh bị mệt mỏi.

⚠ THẬN TRỌNG: Trước khi vận hành, đảm bảo rằng dây nịt vai được gắn đúng cách vào móc treo trên dụng cụ.

⚠ THẬN TRỌNG: Trước khi vận hành, hãy đảm bảo khóa nịt của dây nịt vai đã được kẹp chặt.

⚠ THẬN TRỌNG: Luôn sử dụng dây nịt vai dành riêng cho dụng cụ này. Không sử dụng dây nịt vai khác.

1. Đeo dây nịt vai và thắt khóa nịt.

► **Hình28:** 1. Khóa nịt

LƯU Ý: Khi tháo dây nịt vai, hãy mở khóa nịt và tháo dây nịt vai.

2. Điều chỉnh dây nịt vai tới vị trí làm việc thoải mái.

► **Hình29**

3. Cài móc treo trên dây nịt vai vào móc gắn của dụng cụ.

► **Hình30:** 1. Móc treo 2. Móc gắn

Dây nịt vai được trang bị để nhả nhanh. Chỉ cần bóp hai bên khóa nịt để nhả dây nịt vai.

► **Hình31:** 1. Khóa nịt

Làm việc với dụng cụ

⚠ THẬN TRỌNG: Giữ mọi phần của cơ thể tránh xa khỏi xích cưa khi động cơ đang hoạt động.

⚠ THẬN TRỌNG: Giữ chặt dụng cụ bằng cả hai tay khi động cơ đang chạy.

⚠ THẬN TRỌNG: Không vọt quá cao. Luôn giữ thăng bằng tốt và có chỗ để chân phù hợp.

⚠ THẬN TRỌNG: Khi cắt qua cành cây, hãy cẩn thận không làm mất thăng bằng của bạn do khối lượng của dầu dụng cụ.

⚠ THẬN TRỌNG: Luôn giữ lối thoát hiểm trong trường hợp cành cây đã cắt rơi về phía người vận hành.

⚠ THẬN TRỌNG: Tuyệt đối không sử dụng phần mũi của thanh dẫn hướng để cắt. Nếu không, việc bật ngược nguy hiểm có thể xảy ra và có thể dẫn đến thương tích cá nhân.

CHÚ Ý: Không bao giờ được buông hay làm rơi dụng cụ.

CHÚ Ý: Không bịt khe thông khí của dụng cụ.

CHÚ Ý: Không dùng lực đối với dụng cụ. Nếu không, việc này có thể làm hỏng dụng cụ.

Đứng trên bề mặt ổn định và giữ dụng cụ cách xa các cành cây sao cho góc của dụng cụ là từ 60° trở xuống so với mặt đất nằm ngang.

► **Hình32:** 1. 60° trở xuống

Khởi động dụng cụ, sau đó nhẹ nhàng ấn xích cưa lên cành cây.

Khi cắt cành cây dài, để kiểm soát vị trí rơi của cành đã cắt, hãy chia cành cây thành các phần và cắt cành từ phần đầu. Chú ý đến các cành cây rơi xuống vì chúng có thể bật lại theo hướng của người vận hành sau khi chạm đất.

► **Hình33**

Khi cắt cành cây lớn, trước tiên hãy cắt phần cây dưới thấp, sau đó mới cắt đến ngọn.

► **Hình34**

Nếu bạn cố gắng cắt những cành cây từ phía dưới cùng, cành cây có thể kẹp lại và làm kẹt xích cưa khi cắt. Nếu bạn cố gắng cắt những cành cây từ trên đỉnh xuống mà không cắt phần cây dưới thấp, cành cây có thể vỡ ra từng mảnh.

► **Hình35**

Di chuyển dụng cụ

Trước khi di chuyển dụng cụ, luôn tháo hộp pin ra khỏi dụng cụ, sau đó gắn vỏ bảo vệ thanh dẫn hướng vào rồi rút ngắn ống. Ngoài ra, che hộp pin bằng nắp đậy pin.

► **Hình36:** 1. Vỏ bảo vệ thanh dẫn hướng 2. Nắp đậy pin

Sử dụng dụng cụ với bộ cấp nguồn di động đeo vai

Phụ kiện tùy chọn

Sử dụng băng treo khi bạn sử dụng dụng cụ với bộ cấp nguồn di động đeo vai.

Gắn băng treo

1. Gắn móc của băng treo vào các vòng của dây nịt vai hoặc đai lưng như thể hiện trong hình. Chọn loại băng và phương thức kết nối phù hợp với mục đích sử dụng của bạn.

► **Hình37:** 1. Vòng 2. Móc treo

► **Hình38:** 1. Vòng 2. Móc treo

2. Gắn móc treo vào dụng cụ.

► **Hình39:** 1. Móc treo

Tháo dụng cụ

Khi đặt dụng cụ xuống, mở khóa nịt trên băng treo bằng một tay trong khi giữ dụng cụ bằng tay kia.

► **Hình40:** 1. Khóa nịt

LƯU Ý: Khóa nịt không được trang bị tùy thuộc vào loại băng.

Nếu cần nhả dụng cụ nhanh, hãy làm theo các bước bên dưới.

1. Nhấn các cần trên khóa nịt của đai lưng để mở khóa khóa nịt.

► **Hình41:** 1. Khóa nịt 2. Cần kẹp

2. Tháo dây nịt vai để nhả dụng cụ và thiết bị.

► **Hình42:** 1. Dây nịt vai

BẢO TRÌ

⚠ THẬN TRỌNG: Hãy luôn chắc chắn rằng dụng cụ đã được tắt và hộp pin đã được tháo ra trước khi cố gắng thực hiện việc kiểm tra hay bảo dưỡng.

⚠ THẬN TRỌNG: Mang găng tay khi thực hiện kiểm tra hoặc bảo dưỡng.

CHÚ Ý: Không được phép dùng xăng, ét xăng, dung môi, cồn hoặc hóa chất tương tự. Có thể xảy ra hiện tượng mất màu, biến dạng hoặc nứt vỡ.

Để đảm bảo ĐỘ AN TOÀN và ĐỘ TIN CẬY của sản phẩm, việc sửa chữa hoặc bất cứ thao tác bảo trì, điều chỉnh nào đều phải được thực hiện bởi các Trung tâm Dịch vụ Nhà máy hoặc Trung tâm được Makita Ủy quyền và luôn sử dụng các phụ tùng thiết bị thay thế của Makita.

Mài xích cưa

Mài xích cưa khi:

- Bột mặt cưa được sinh ra khi cắt gỗ ẩm mục;
- Dây xích sẽ khó xuyên qua gỗ, ngay cả khi ép lực nén mạnh;
- Mép cắt hiển nhiên rất nguy hiểm;
- Máy cưa kéo về bên trái hay bên phải trong gỗ. (gây ra bởi xích cưa bị mài không đều hoặc chỉ hư hỏng một bên)

Mài xích cưa thường xuyên nhưng mỗi lần chỉ mài một chút. Hai hay ba nhát giữa thường là đủ cho thói quen mài dũa. Khi xích cưa bị mài lại nhiều lần, hãy nhớ trung tâm dịch vụ được ủy quyền để mài lại nó.

Các tiêu chuẩn mài dũa:

⚠ CẢNH BÁO: Khoảng cách dư giữa mép cắt và thanh đo sâu làm tăng nguy cơ bật ngược.

► **Hình43:** 1. Chiều dài máy cắt 2. Khoảng cách giữ mép cắt và thanh đo sâu 3. Chiều dài lưỡi cắt tối thiểu (3 mm)

- Tất cả chiều dài lưỡi cắt phải bằng nhau. Chiều dài lưỡi cắt khác nhau ngăn xích cưa vận hành trôi chảy và có thể làm xích cưa gãy.
- Không được mài dây xích khi chiều dài lưỡi cưa chạm ngưỡng 3 mm hay ngắn hơn. Dây xích phải được thay dây mới.
- Độ dày vụn bào được quyết định bởi khoảng cách giữa thanh đo sâu (mũi tròn) và mép cắt.
- Kết quả cắt tốt nhất đạt được với những khoảng cách giữa mép cắt và đế sâu sau đây.
 - Lưỡi cưa đĩa dây xích 90PX : 0,65 mm
 - Lưỡi cưa đĩa dây xích 91PX : 0,65 mm

► Hình44

- Góc mài 30° phải giống với mọi lưỡi cắt. Góc mài khác nhau làm dây xích vận hành gồ ghề và xù xì, tăng độ mòn, và dẫn đến gãy dây xích.
- Sử dụng giữa tròn thích hợp để góc mài đúng được giữ tránh xa rãnh.
 - Lưỡi cưa đĩa dây xích 90PX : 55°
 - Lưỡi cưa đĩa dây xích 91PX : 55°

Giữa và hướng giữa

- Sử dụng một cái giữa tròn đặc biệt (phụ kiện tùy chọn) cho xích cưa để mài dây xích. Giữa tròn thông thường không thích hợp.
 - Đường kính giữa tròn cho từng xích cưa như sau:
 - Lưỡi cưa đĩa dây xích 90PX : 4,5 mm
 - Lưỡi cưa đĩa dây xích 91PX : 4,0 mm
 - Giữa chỉ nên gài vào lưỡi cưa trên những nhát chém tới. Nâng giữa lên lưỡi cưa trên nhát chém lùi.
 - Mài lưỡi cưa ngắn nhất trước. Sau đó chiều dài của lưỡi cắt ngắn nhất trở thành tiêu chuẩn của tất cả các lưỡi cắt còn lại trên xích cưa.
 - Dẫn hướng giữa như trình bày trong hình.
- **Hình45:** 1. Giữa 2. Xích cưa

- Giữa có thể được lái một cách dễ dàng nếu giá đỡ giữa (phụ kiện tùy chọn) được sử dụng. Giá đỡ giữa có đánh dấu cho góc mài chính xác 30° (căn chỉnh đầu song song với xích cưa) và giới hạn độ xuyên sâu (đến 4/5 đường kính giữa).

► **Hình46:** 1. Giá đỡ giữa

- Sau khi mài dây xích, kiểm tra chiều cao của thanh dẫn sâu bằng cách sử dụng dụng cụ đo dây xích (phụ kiện tùy chọn).

► **Hình47**

- Tháo bỏ bất kỳ vật liệu nào nhô ra, dù nhỏ đến cỡ nào, bằng một cái giữa phẳng đặc biệt (phụ kiện tùy chọn).
- Đeo tròn mặt trước của thanh đo sâu lần nữa.

Lau sạch thanh dẫn hướng

Mặt cưa và vụn bào sẽ đắp nổi trong các rãnh thanh dẫn hướng. Chúng có thể làm kẹt rãnh thanh dẫn hướng và làm suy yếu dòng chảy của dầu. Lau sạch mặt cưa và vụn bào mỗi lần khi bạn mài hay thay xích cưa.

► **Hình48**

Lau sạch vỏ bảo vệ đĩa xích

Mặt cưa và vụn bào sẽ tích tụ bên trong đĩa xích. Tháo đĩa xích và xích cưa khỏi dụng cụ sau đó làm sạch mặt cưa và vụn bào.

► **Hình49**

Làm sạch ống thải dầu

Các hạt hay bụi li ti có thể đắp nổi trong ống thải dầu trong lúc hoạt động. Các hạt và bụi li ti này có thể làm suy yếu dòng chảy của dầu và gây ra việc tra dầu mỡ không đủ trên toàn bộ xích cưa. Khi việc phân phối dầu dây xích yếu kém xảy ra trên đầu thanh dẫn hướng, làm sạch ống thải dầu theo các bước sau.

1. Tháo đĩa xích và xích cưa khỏi dụng cụ.
2. Tháo bỏ các hạt và bụi li ti bằng cách dùng máy vận vít mũi dẹp hay dụng cụ tương tự.
3. Lắp hộp pin vào dụng cụ. Kéo cần khởi động công tắc để phun bụi hay mặt vụn tích tụ ra khỏi ống thải dầu bằng cách đổ hết dầu dây xích.
4. Tháo hộp pin ra khỏi dụng cụ. Tái lắp đặt đĩa xích và xích cưa trên dụng cụ.

Thay thế vỏ bảo vệ đĩa xích

⚠ THẬN TRỌNG: Đĩa xích bị mòn sẽ làm hư hại xích cưa mới. Thay thế đĩa xích trong trường hợp này.

Trước khi lắp xích cưa mới, kiểm tra tình trạng của đĩa xích. Nếu đĩa xích bị mòn hoặc hỏng, hãy nhờ Trung tâm dịch vụ được ủy quyền của Makita thay thế.

► **Hình51:** 1. Đĩa xích 2. Khu vực bị mòn

Cất giữ dụng cụ

1. Làm sạch dụng cụ trước khi cất giữ. Loại bỏ bất kỳ mặt cưa hay vụn bào nào khỏi dụng cụ sau khi tháo bỏ vỏ bảo vệ đĩa xích.
2. Sau khi làm sạch dụng cụ, không vận hành nó dưới chế độ không tải để tra dầu mỡ cho xích cưa và thanh dẫn hướng.
3. Che thanh dẫn hướng bằng vỏ bảo vệ thanh dẫn hướng, sau đó rút ngắn ống.
4. Làm rỗng bình chứa dầu.

Hướng dẫn bảo dưỡng định kỳ

Để đảm bảo tuổi thọ lâu dài, phòng ngừa hư hỏng và đảm bảo chức năng của các tính năng an toàn được đầy đủ, phải thường xuyên thực hiện công việc bảo dưỡng sau đây. Các tuyên bố về bảo hành chỉ có thể được công nhận khi công việc này được thực hiện thường xuyên và đúng cách. Không thực hiện công việc bảo dưỡng theo quy định có thể dẫn đến tai nạn! Người sử dụng dụng cụ không được thực hiện công việc bảo trì không được mô tả trong tài liệu hướng dẫn. Tất cả công việc này phải được tiến hành bởi trung tâm dịch vụ được ủy quyền của chúng tôi.

Phần kiểm tra / Giờ vận hành		Trước khi vận hành	Mỗi ngày	Mỗi tuần	Mỗi 3 tháng	Hàng năm	Trước khi cất giữ
Toàn bộ dụng cụ	Kiểm tra.	✓	-	-	-	-	-
	Vệ sinh.	-	✓	-	-	-	-
	Kiểm tra tại trung tâm dịch vụ ủy quyền.	-	-	-	-	✓	✓
Xích cưa	Kiểm tra.	✓	-	-	-	-	-
	Mài đĩa nếu cần thiết.	-	-	-	-	-	✓
Thanh dẫn hướng	Kiểm tra.	✓	✓	-	-	-	-
	Tháo ra khỏi dụng cụ.	-	-	-	-	-	✓
Tra dầu mỡ cho dây xích	Kiểm tra mức cung cấp dầu.	✓	-	-	-	-	-
Cần khởi động công tắc	Kiểm tra.	✓	-	-	-	-	-
Cần nhà khóa	Kiểm tra.	✓	-	-	-	-	-
Nắp bình chứa dầu	Kiểm tra độ khít.	✓	-	-	-	-	-
Trục vít và đai ốc	Kiểm tra.	-	-	✓	-	-	-

XỬ LÝ SỰ CỐ

Trước khi yêu cầu sửa chữa, đầu tiên hãy tự tiến hành kiểm tra của riêng bạn. Nếu bạn phát hiện vấn đề nào đó không được giải thích trong sách hướng dẫn sử dụng này, đừng cố tháo dỡ dụng cụ. Thay vào đó, hãy nhờ Trung tâm dịch vụ Makita được ủy quyền, luôn sử dụng bộ phận thay thế của Makita để sửa chữa.

Tình trạng nguy hiểm	Nguyên nhân	Hành động
Dụng cụ không khởi động.	Không lắp hộp pin.	Lắp hộp pin đã được sạc đầy.
	Vấn đề pin (điện áp thấp).	Sạc pin lại cho hộp pin. Nếu việc sạc pin lại không hiệu quả, hãy thay thế hộp pin.
	Công tắc nguồn chính đã tắt.	Dụng cụ sẽ tự động tắt nếu không được vận hành trong một thời gian nhất định. Mở công tắc nguồn chính lần nữa.
Động cơ ngừng chạy sau khi ít sử dụng đến.	Mức sạc pin thấp.	Sạc pin lại cho hộp pin. Nếu việc sạc pin lại không hiệu quả, hãy thay thế hộp pin.
Không có dầu trên dây xích.	Bình chứa dầu rỗng.	Đổ đầy bình chứa dầu.
	Rãnh dẫn dầu dơ.	Lau sạch rãnh.
Dụng cụ không đạt RPM tối đa.	Hộp pin được lắp đúng cách.	Lắp hộp pin như mô tả trong sách hướng dẫn này.
	Nguồn pin bị tụt áp.	Sạc pin lại cho hộp pin. Nếu sạc pin lại không hiệu quả, thay thế hộp pin.
	Hệ thống truyền động không làm việc đúng cách.	Hãy hỏi trung tâm bảo trì được ủy quyền ở khu vực của bạn để được yêu cầu sửa chữa.
Đèn nguồn chính màu xanh đang nhấp nháy.	Cần khởi động công tắc được kéo dưới điều kiện không thể hoạt động.	Kéo cần khởi động công tắc sau khi bật công tắc nguồn chính.
Rung bất thường: Ngừng dụng cụ ngay lập tức!	Nới lỏng thanh dẫn hướng hoặc xích cưa.	Điều chỉnh thanh dẫn hướng và lực căng xích cưa.
	Lỗi dụng cụ.	Hãy hỏi trung tâm bảo trì được ủy quyền ở khu vực của bạn để được yêu cầu sửa chữa.
Không thể lắp đặt xích cưa.	Kết hợp giữa xích cưa và đĩa xích không chính xác.	Sử dụng kết hợp xích cưa và đĩa xích đúng bằng cách tham khảo phần thống số kỹ thuật.

PHỤ KIỆN TỰ CHỌN

⚠ THẬN TRỌNG: Các phụ kiện hoặc phụ tùng gắn thêm này được khuyến cáo sử dụng với dụng cụ Makita của bạn theo như quy định trong hướng dẫn này. Việc sử dụng bất cứ phụ kiện hoặc phụ tùng gắn thêm nào khác đều có thể gây ra rủi ro thương tích cho người. Chỉ sử dụng phụ kiện hoặc phụ tùng gắn thêm cho mục đích đã quy định sẵn của chúng.

Nếu bạn cần bất kỳ sự hỗ trợ nào để biết thêm chi tiết về các phụ tùng này, hãy hỏi Trung tâm Dịch vụ của Makita tại địa phương của bạn.

- Xích cưa
- Thanh dẫn hướng
- Vỏ bảo vệ thanh dẫn hướng
- Giũa
- Pin và bộ sạc chính hãng của Makita

⚠ CẢNH BÁO: Nếu bạn mua một thanh dẫn hướng có chiều dài khác thanh dẫn hướng tiêu chuẩn, hãy mua vỏ bảo vệ thanh dẫn hướng phù hợp kèm theo. Vỏ phải vừa khít và hoàn toàn bao bọc thanh dẫn hướng trên dụng cụ.

LƯU Ý: Một số mục trong danh sách có thể được bao gồm trong gói dụng cụ làm phụ kiện tiêu chuẩn. Các mục này ở mỗi quốc gia có thể khác nhau.

ข้อมูลจำเพาะ

รุ่น:	UA004G	
ความยาวโดยรวม (ไม่รวมแผ่นบังคับโซ่และแบตเตอรี่)	2,516 - 3,748 mm	
แรงดันไฟฟ้าสูงสุด	D.C. 36 V - 40 V สูงสุด	
น้ำหนักสุทธิ	*1	7.8 kg
	*2	7.8 - 8.5 kg
ความยาวของแผ่นบังคับโซ่มาตรฐาน	300 mm	
ความยาวของแผ่น บังคับโซ่ที่แนะนำ	สำหรับ 90PX	250 - 300 mm
	สำหรับ 91PX	250 - 300 mm
ประเภทของโซ่เลือกใช้ได้ (โปรดดูรายละเอียดในตารางด้านล่าง)	90PX	
	91PX	
เฟืองโซ่มาตรฐาน	จำนวนซี่ฟันเฟือง	6
	ระยะพิตช์ยึดฟัน	3/8"
ความเร็วของโซ่	0 - 20 m/s (0 - 1,200 m/min)	
ปริมาตรถังน้ำมันของโซ่	160 cm ³	
ระดับการป้องกัน	IPX4	

• เนื่องจากการค้นคว้าวิจัยและพัฒนาอย่างต่อเนื่อง ข้อมูลจำเพาะในเอกสารฉบับนี้อาจเปลี่ยนแปลงได้โดยไม่ต้องแจ้งให้ทราบล่วงหน้า

• ข้อมูลจำเพาะอาจแตกต่างกันไปในแต่ละประเทศ

*1: น้ำหนักที่รวมตลับแบตเตอรี่ขนาดใหญ่มากที่สุดและถังน้ำมันที่ว่างเปล่า โดยไร้แผ่นบังคับโซ่ โซ่ และสายสะพายไหล่ ตามมาตรฐาน EN ISO 11680-1

*2: การผสมผสานน้ำหนักที่เบาที่สุดและหนักที่สุดตามมาตรฐาน EPTA-Procedure 01/2014 น้ำหนักอาจแตกต่างกันไปตามอุปกรณ์เสริม รวมถึงตลับแบตเตอรี่

ตลับแบตเตอรี่และเครื่องชาร์จที่ใช้ได้

ตลับแบตเตอรี่	BL4020 / BL4025 / BL4040* / BL4050F* *: แบตเตอรี่ที่แนะนำ
เครื่องชาร์จ	DC40RA / DC40RB / DC40RC

• ตลับแบตเตอรี่และเครื่องชาร์จบางรายการที่แสดงอยู่ด้านบนอาจไม่มีวางจำหน่ายขึ้นอยู่กับภูมิภาคที่คุณอาศัยอยู่

คำเตือน: ใช้ตลับแบตเตอรี่และเครื่องชาร์จที่ระบุไว้ข้างบนเท่านั้น การใช้ตลับแบตเตอรี่และเครื่องชาร์จประเภทอื่นอาจก่อให้เกิดความเสี่ยงที่จะได้รับบาดเจ็บและ/หรือเกิดไฟไหม้

แหล่งจ่ายไฟแบบเชื่อมต่อสายไฟที่แนะนำ

ชุดต้นกำลังแบบพกพา	PDC01 / PDC1200
--------------------	-----------------

- แหล่งจ่ายไฟแบบเชื่อมต่อสายไฟตามรายการด้านบนอาจไม่มีจำหน่ายขึ้นอยู่กับภูมิภาคที่คุณอยู่
- ก่อนใช้งานแหล่งจ่ายไฟแบบเชื่อมต่อสายไฟให้อ่านคำแนะนำและเครื่องหมายเตือนที่ติดอยู่

ความเข้ากันได้ของโซ่เลื่อย แผ่นบังคับโซ่ และเฟืองโซ่




ประเภทของโซ่เลื่อย		90PX
จำนวนการเชื่อมต่อในการขับเคลื่อน		46
แถบราง	ความยาวของแถบราง	300 mm
	ความยาวในการตัด	296 mm
	ระยะพิชท์ฟันเลื่อย	3/8"
	เกจ	1.1 mm
	ประเภท	แถบจุกสเตอร์
เฟืองโซ่	จำนวนซี่ฟันเฟือง	6
	ระยะพิชท์ยอดฟัน	3/8"



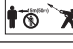
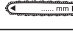



ประเภทของโซ่เลื่อย		91PX
จำนวนการเชื่อมต่อในการขับเคลื่อน		46
แถบราง	ความยาวของแถบราง	300 mm
	ความยาวในการตัด	296 mm
	ระยะพิชท์ฟันเลื่อย	3/8"
	เกจ	1.3 mm
	ประเภท	แถบจุกสเตอร์
เฟืองโซ่	จำนวนซี่ฟันเฟือง	6
	ระยะพิชท์ยอดฟัน	3/8"

คำเตือน: ใช้แถบรางร่วมกับโซ่เลื่อยอย่างเหมาะสม มิฉะนั้นอาจเกิดการบาดเจ็บต่อร่างกายได้

สัญลักษณ์

ต่อไปนี้เป็นสัญลักษณ์ที่อาจใช้สำหรับอุปกรณ์ โปรดศึกษาความหมายของสัญลักษณ์ให้เข้าใจก่อนการใช้งาน

-  อ่านคู่มือการใช้งาน
-  สวมหมวกนิรภัย แว่นตานิรภัย และอุปกรณ์ป้องกันเสียง
-  สวมถุงมือป้องกัน

-  สวมรองเท้าแข็งแรงที่มีพื้นกันลื่น แนะนำให้ใช้รองเท้าหัวเหล็ก
-  ระวังสายไฟและความเสี่ยงที่จะถูกไฟช็อต
-  รักษาระยะห่างอย่างน้อย 15 m
-  ความยาวสูงสุดในการตัดที่ได้รับอนุญาต
-  ทิศทางการเคลื่อนที่ของโซ่
-  ถังน้ำมันของโซ่
-  พื้นผิวที่มีความร้อนสูง - ลูกนิ้วหรือมือ



สำหรับประเทศในสหภาพยุโรปเท่านั้น เนื่องจากในอุปกรณ์มีส่วนประกอบอันตราย ชยะจำพวกอุปกรณ์ไฟฟ้า และอิเล็กทรอนิกส์ แบตเตอรี่ และหม้อแปลงหรือเครื่องจักรอาจส่งผลกระทบต่อสิ่งแวดล้อมและสุขภาพของมนุษย์ในเชิงลบ อย่างไรก็ตามการใช้ไฟฟ้าและอิเล็กทรอนิกส์หรือแบตเตอรี่ร่วมกับวัสดุเหลือทิ้งในครัวเรือน!

เพื่อให้เป็นไปตามกฎระเบียบของยุโรปว่าด้วยขยะจำพวกอุปกรณ์ไฟฟ้าและอิเล็กทรอนิกส์ และหม้อแปลงไฟฟ้าและแบตเตอรี่ และขยะจำพวกหม้อสะสมไฟฟ้าและแบตเตอรี่ รวมถึงการบังคับใช้ตามกฎหมายภายในประเทศ ควรมีการจัดเก็บขยะจำพวกอุปกรณ์ไฟฟ้า แบตเตอรี่ และหม้อสะสมไฟฟ้าแยกต่างหากและส่งไปยังจุดรับขยะต่างหากในเขตเทศบาลซึ่งมีการดำเนินการตามระเบียบว่าด้วยการดูแลสิ่งแวดล้อม โดยระบุด้วยสัญลักษณ์เส้นคาดขวางรูปถังขยะแบบมีล้อไว้บนอุปกรณ์



ผ่านการรับรองระดับพลังงานเสียงตามกฎระเบียบว่าด้วยเสียงรบกวนภายนอกของสหภาพยุโรป



ระดับพลังงานเสียงตามข้อบังคับการควบคุมเสียงรบกวนของรัฐนิวเซาท์เวลส์ ประเทศออสเตรเลีย

จุดประสงค์การใช้งาน

เครื่องมือนี้ใช้สำหรับการตัดแต่งกิ่งไม้และท่อนไม้

คำเตือนด้านความปลอดภัย

คำเตือนด้านความปลอดภัยของเครื่องมือไฟฟ้าทั่วไป

คำเตือน: โปรดอ่านคำเตือนด้านความปลอดภัย คำแนะนำ ภาพประกอบ และข้อมูลจำเพาะต่างๆ ที่หามา กับเครื่องมือไฟฟ้าอย่างละเอียด การไม่ปฏิบัติตามคำแนะนำดังต่อไปนี้ อาจส่งผลให้เกิดไฟฟ้าช็อต ไฟไหม้ และ/หรือได้รับบาดเจ็บอย่างร้ายแรงได้

เก็บรักษา ค่าเตือน และคำแนะนำทั้งหมดไว้

เป็นข้อมูลอ้างอิงในอนาคต

คำว่า “เครื่องมือไฟฟ้า” ในคำเตือนนี้หมายถึงเครื่องมือไฟฟ้า (มีสาย) ที่ทำงานโดยใช้กระแสไฟฟ้าหรือเครื่องมือไฟฟ้า (ไร้สาย) ที่ทำงานโดยใช้แบตเตอรี่

ความปลอดภัยของพื้นที่ทำงาน

1. ดูแลพื้นที่ทำงานให้มีความสะอาดและมีแสงไฟสว่าง พื้นที่รกร้างระเกะระกะหรือมืดที่บดบังนำไปสู่การเกิดอุบัติเหตุได้
2. อย่าใช้งานเครื่องมือไฟฟ้าในสภาพที่อาจเกิดการระเบิด เช่น ในสถานที่ที่มีของเหลว ก๊าซ หรือฝุ่นผงที่มีคุณสมบัติไวไฟ เครื่องมือไฟฟ้าอาจสร้างประกายไฟและจุดชนวนฝุ่นผงหรือก๊าซดังกล่าว
3. ดูแลไม่ให้มีเด็กๆ หรือบุคคลอื่นอยู่ในบริเวณที่กำลังใช้เครื่องมือไฟฟ้า การมีสิ่งรบกวนสมาธิอาจทำให้คุณสูญเสียการควบคุม

ความปลอดภัยด้านไฟฟ้า

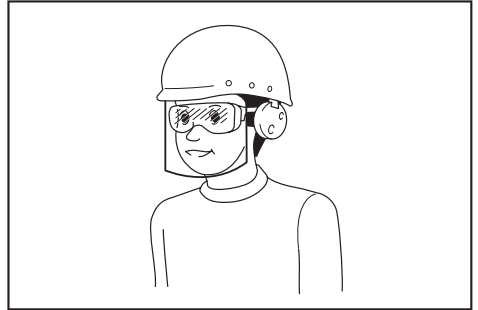
1. ปลั๊กของเครื่องมือไฟฟ้าต้องพอดีกับเต้ารับ อย่าดัดแปลงปลั๊กไม่ว่ากรณีใดๆ อย่าใช้ปลั๊กอะแดปเตอร์กับเครื่องมือไฟฟ้าที่ต่อสายดิน ปลั๊กที่ไม่ถูกดัดแปลงและเต้ารับที่เข้ากันพอดีจะช่วยลดความเสี่ยงของการเกิดไฟฟ้าช็อต
2. ระวังอย่าให้ร่างกายสัมผัสกับพื้นผิวที่ต่อสายดิน เช่น ท่อ เครื่องนำความร้อน เตาหุงต้ม และตู้เย็น มีความเสี่ยงที่จะเกิดไฟฟ้าช็อตสูงขึ้น หากร่างกายของคุณสัมผัสกับพื้น
3. อย่าให้เครื่องมือไฟฟ้าถูกน้ำหรืออยู่ในสภาพเปียกชื้น น้ำที่ไหลเข้าไปในเครื่องมือไฟฟ้าจะเพิ่มความเสี่ยงของการเกิดไฟฟ้าช็อต
4. อย่าใช้สายไฟอย่างไม่เหมาะสม อย่าใช้สายไฟเพื่อยก ดึง หรือถอดปลั๊กเครื่องมือไฟฟ้า เก็บสายไฟให้ห่างจากความร้อน น้ำมัน ของมีคม หรือชิ้นส่วนที่เคลื่อนที่ สายที่ชำรุดหรือพันกันจะเพิ่มความเสี่ยงของการเกิดไฟฟ้าช็อต
5. ขณะที่ใช้งานเครื่องมือไฟฟ้านอกอาคาร ควรใช้สายต่อพ่วงที่เหมาะสมกับงานภายนอกอาคาร การใช้สายที่เหมาะสมกับงานภายนอกอาคารจะลดความเสี่ยงของการเกิดไฟฟ้าช็อต
6. หากต้องใช้งานเครื่องมือไฟฟ้าในสถานที่เปียกชื้น ให้ใช้อุปกรณ์ป้องกันกระแสไฟรั่ว (RCD) การใช้ RCD จะลดความเสี่ยงของการเกิดไฟฟ้าช็อต

- เครื่องมือไฟฟ้าอาจสร้างสนามแม่เหล็ก (EMF) ที่ไม่เป็นอันตรายต่อผู้ใช้ อย่างไรก็ตาม ผู้ใช้ที่ใส่เครื่องกระตุ้นหัวใจและอุปกรณ์ทางการแพทย์ที่คล้ายกันนี้ ควรติดต่อผู้ผลิตอุปกรณ์และ/หรือแพทย์เพื่อรับคำแนะนำก่อนใช้งานเครื่องมือไฟฟ้านี้

ความปลอดภัยส่วนบุคคล

- ให้ระมัดระวังและมีสติอยู่เสมอขณะใช้งานเครื่องมือไฟฟ้า อย่าใช้งานเครื่องมือไฟฟ้าในขณะที่คุณกำลังเหนื่อย หรือในสภาพที่มึนเมาจากยาเสพติด เครื่องดื่ม แอลกอฮอล์ หรือการเข้ายา ช่วงเวลาที่ขาดความระมัดระวังเมื่อกำลังใช้งานเครื่องมือไฟฟ้าอาจทำให้ได้รับบาดเจ็บร้ายแรง
- ใช้อุปกรณ์ป้องกันส่วนบุคคล สวมแว่นตาป้องกันเสมอ อุปกรณ์ป้องกัน เช่น หน้ากากกันฝุ่น รองเท้านิรภัย กันลื่น หมวกนิรภัย หรือเครื่องป้องกันการได้ยินที่ใช้ในสภาพที่เหมาะสมจะช่วยลดการบาดเจ็บ
- ป้องกันไม่ให้เกิดการเปิดใช้งานโดยไม่ตั้งใจ ตรวจสอบให้แน่ใจว่าสวิตช์ปิดอยู่ก่อนที่จะเชื่อมต่อกับแหล่งจ่ายไฟ และ/หรือชุดแบตเตอรี่ รวมทั้งตรวจสอบก่อนการยกหรือเคลื่อนย้ายเครื่องมือ การสอดนิ้วมือบริเวณสวิตช์เพื่อถือเครื่องมือไฟฟ้า หรือการชาร์จไฟเครื่องมือไฟฟ้าในขณะที่เปิดสวิตช์อยู่อาจนำไปสู่การเกิดอุบัติเหตุ
- นำกฎฉบับปรับปรุงหรือประแจออกก่อนที่จะเปิดเครื่องมือไฟฟ้า ประแจหรือกฎฉบับที่เสียค้างอยู่ในชิ้นส่วนที่หมุนได้ของเครื่องมือไฟฟ้าอาจทำให้ได้รับบาดเจ็บ
- อย่าทำงานในระยะที่สูดเอื้อม จัดท่าการยืนและการทรงตัวให้เหมาะสมตลอดเวลา เพราะจะทำให้ควบคุมเครื่องมือไฟฟ้าได้ดีขึ้นในสถานการณ์ที่ไม่คาดคิด
- แต่งกายให้เหมาะสม อย่าสวมเครื่องแต่งกายที่หลวมเกินไป หรือสวมเครื่องประดับ ดูแลไม่ให้เส้นผมและเสื้อผ้าอยู่ใกล้ชิ้นส่วนที่เคลื่อนที่ เสื้อผ้า ร่ม ร่ม เครื่องประดับ หรือผมที่มีความยาวอาจเข้าไปติดในชิ้นส่วนที่เคลื่อนที่
- หากมีการจัดอุปกรณ์สำหรับตัดและจัดเก็บฝุ่นไว้ในสถานที่ ให้ตรวจสอบว่าได้เชื่อมต่อและใช้งานอุปกรณ์นั้นอย่างเหมาะสม การใช้เครื่องดูดและจัดเก็บฝุ่นจะช่วยลดอันตรายที่เกิดจากฝุ่นผงได้
- อย่าให้ความคุ้นเคยจากการใช้งานเครื่องมือเป็นประจําทำให้คุณทำตัวตามสบายและละเลยหลักการเพื่อความปลอดภัยในการใช้เครื่องมือ การกระทำที่ไม่ระมัดระวังอาจทำให้เกิดการบาดเจ็บร้ายแรงภายในเสี้ยววินาที

- สวมใส่แว่นครอบตานิรภัยเพื่อปกป้องดวงตาของคุณจากการบาดเจ็บเมื่อใช้เครื่องมือไฟฟ้า แว่นครอบตาจะต้องได้มาตรฐาน ANSI Z87.1 ในสหรัฐอเมริกา, EN 166 ในยุโรป หรือ AS/NZS 1336 ในออสเตรเลีย/นิวซีแลนด์ ในออสเตรเลีย/นิวซีแลนด์ จะต้องสวมเกราะป้องกันใบหน้าเพื่อปกป้องใบหน้าของคุณอย่างถูกต้องตามกฎหมายด้วย



ผู้ว่าจ้างมีหน้าที่รับผิดชอบในการบังคับผู้ใช้งานเครื่องมือและบุคคลอื่น ๆ ที่อยู่ในบริเวณที่ปฏิบัติงานให้ใช้อุปกรณ์ป้องกันที่เหมาะสม

การใช้และดูแลเครื่องมือไฟฟ้า

- อย่าฝืนใช้เครื่องมือไฟฟ้า ใช้เครื่องมือไฟฟ้าที่เหมาะสมกับการใช้งานของคุณ เครื่องมือไฟฟ้าที่เหมาะสมจะทำให้ได้งานที่มีประสิทธิภาพและปลอดภัยกว่าตามขีดความสามารถของเครื่องที่ได้รับการออกแบบมา
- อย่าใช้เครื่องมือไฟฟ้า หากสวิตช์ไม่สามารถเปิดปิดได้ เครื่องมือไฟฟ้าที่ควบคุมด้วยสวิตช์ไม่ได้เป็นสิ่งอันตรายและต้องได้รับการซ่อมแซม
- ถอดปลั๊กจากแหล่งจ่ายไฟ และ/หรือชุดแบตเตอรี่ออกจากเครื่องมือไฟฟ้าก่อนทำการปรับตั้ง เปลี่ยนอุปกรณ์เสริม หรือจัดเก็บเครื่องมือไฟฟ้า วิธีการป้องกันด้านความปลอดภัยดังกล่าวจะช่วยลดความเสี่ยงในการเปิดใช้งานเครื่องมือไฟฟ้าโดยไม่ตั้งใจ
- จัดเก็บเครื่องมือไฟฟ้าที่ไม่ได้ใช้งานให้ห่างจากมือเด็ก และอย่าอนุญาตให้บุคคลที่ไม่คุ้นเคยกับเครื่องมือไฟฟ้าหรือคำแนะนำเหล่านี้ใช้งานเครื่องมือไฟฟ้า เครื่องมือไฟฟ้าจะเป็นอันตรายเมื่ออยู่ในมือของผู้ที่ไม่ได้รับการฝึกอบรม

- บำรุงรักษาเครื่องมือไฟฟ้าและอุปกรณ์เสริม ตรวจสอบการประกอบที่ไม่ถูกต้องหรือการเชื่อมต่อของชิ้นส่วนที่เคลื่อนที่ การแตกหักของชิ้นส่วน หรือสภาพอื่นๆ ที่อาจส่งผลกระทบต่อการทำงานของเครื่องมือไฟฟ้า หากมีความเสียหาย ให้นำเครื่องมือไฟฟ้าไปซ่อมแซมก่อนการใช้งาน อุบัติเหตุจำนวนมากเกิดจากการดูแลรักษาเครื่องมือไฟฟ้าอย่างไม่ถูกต้อง
- ทำความสะอาดเครื่องมือตัดและลับให้คมอยู่เสมอ เครื่องมือการตัดที่มีการดูแลอย่างถูกต้องและมีขอบการตัดคมมักจะมีปัญหาติดขัดน้อยและควบคุมได้ง่ายกว่า
- ใช้เครื่องมือไฟฟ้า อุปกรณ์เสริม และวัสดุสิ้นเปลือง ฯลฯ ตามคำแนะนำดังกล่าว พิจารณาสภาพการทำงานและงานที่จะลงมือทำ การใช้เครื่องมือไฟฟ้าเพื่อทำงานอื่นนอกเหนือจากที่กำหนดไว้อาจทำให้เกิดอันตราย
- ดูแลมือจับและบริเวณมือจับให้แห้ง สะอาด และไม่มีน้ำมันและจาระบีเปื้อน มือจับและบริเวณมือจับที่ลื่นจะทำให้ไม่สามารถจับและควบคุมเครื่องมือได้อย่างปลอดภัยในสถานการณ์ที่ไม่คาดคิด
- ขณะใช้งานเครื่องมือ อย่าสวมใส่ถุงมือผ้าที่อาจเข้าไปติดในเครื่องมือได้ หากถุงมือผ้าเข้าไปติดในชิ้นส่วนที่กำลังเคลื่อนที่อยู่อาจทำให้ได้รับบาดเจ็บ

การใช้งานและดูแลเครื่องมือที่ใช้แบตเตอรี่

- ชาร์จไฟใหม่ด้วยเครื่องชาร์จที่ระบุโดยผู้ผลิตเท่านั้น เครื่องชาร์จที่เหมาะสมสำหรับชุดแบตเตอรี่ประเภทหนึ่ง อาจเสี่ยงที่จะเกิดไฟไหม้หากนำไปใช้กับชุดแบตเตอรี่อีกประเภทหนึ่ง
- ใช้เครื่องมือไฟฟ้ากับชุดแบตเตอรี่ที่กำหนดมาโดยเฉพาะเท่านั้น การใช้ชุดแบตเตอรี่ประเภทอื่นอาจทำให้เสี่ยงที่จะได้รับบาดเจ็บและเกิดไฟไหม้
- เมื่อไม่ใช้งานชุดแบตเตอรี่ ให้เก็บห่างจากวัตถุที่เป็นโลหะอื่นๆ เช่น คลิปหนีบกระดาษ เหรียญ กุญแจ กรรไกรตัดเล็บ สกรู หรือวัตถุที่เป็นโลหะขนาดเล็กอื่นๆ ที่สามารถเชื่อมต่อชั่วคราวกับอีกขั้วหนึ่งได้ การลัดวงจรขั้วแบตเตอรี่อาจทำให้ร้อนจัดหรือเกิดไฟไหม้
- ในกรณีที่ใช้งานไม่ถูกต้อง อาจมีของเหลวไหลออกจากแบตเตอรี่ ให้หลีกเลี่ยงการสัมผัส หากสัมผัสโดนของเหลวโดยไม่ได้ตั้งใจ ให้ล้างออกด้วยน้ำ หากของเหลวกระเด็นเข้าตา ให้รีบไปพบแพทย์ ของเหลวที่ไหลออกจากแบตเตอรี่อาจทำให้ผิวหนังระคายเคืองหรือไหม้

- ห้ามใช้ชุดแบตเตอรี่หรือเครื่องมือที่ชาร์จหรือมีการแก้ไข แบตเตอรี่ที่เสียหายหรือมีการแก้ไขอาจทำให้เกิดสิ่งที่ไม่ดีได้ เช่น ไฟไหม้ ระเบิด หรือเสี่ยงต่อการบาดเจ็บ
- ห้ามให้ชุดแบตเตอรี่อยู่ใกล้ไฟ หรือบริเวณที่มีอุณหภูมิสูงเกิน หากโดนไฟ หรืออุณหภูมิสูงเกิน 130 °C อาจก่อให้เกิดการระเบิดได้
- กรุณาปฏิบัติตามคำแนะนำสำหรับชาร์จไฟ และห้ามชาร์จแบตเตอรี่หรือเครื่องมือในบริเวณที่มีอุณหภูมินอกเหนือไปจากที่ระบุในคำแนะนำ การชาร์จไฟที่ไม่เหมาะสม หรืออุณหภูมินอกเหนือไปจากช่วงอุณหภูมิที่ระบุในคำแนะนำอาจทำให้แบตเตอรี่เสียหายและเป็นการเพิ่มความเสี่ยงในการเกิดไฟไหม้

การซ่อมบำรุง

- นำเครื่องมือไฟฟ้าเข้ารับบริการจากช่างซ่อมที่ผ่านการรับรองโดยใช้ชื่อแบบเดียวกันเท่านั้น เพราะจะทำให้การใช้เครื่องมือไฟฟ้ามีความปลอดภัย
- ห้ามใช้ชุดแบตเตอรี่ที่เสียหาย ชุดแบตเตอรี่ที่ใช้ควรเป็นชุดที่มาจากผู้ผลิต หรือผู้ให้บริการที่ได้รับอนุญาตเท่านั้น
- ปฏิบัติตามคำแนะนำในการหล่อลื่นและการเปลี่ยนอุปกรณ์เสริม

คำเตือนด้านความปลอดภัยสำหรับเลื่อยตัดแต่งกิ่งไม้สูง ไร้สายแบบหัดได้:

ข้อควรระวังโดยทั่วไป

- ก่อนเริ่มใช้งานเครื่องมือ โปรดอ่านคู่มือการใช้งานนี้ เพื่อให้คุ้นเคยกับการจัดการเครื่องมือ
- อย่าให้ผู้ที่ไม่ทราบประสบการณ์หรือความรู้เกี่ยวกับการใช้เครื่องมืออื่นเครื่องมืออื่น
- หากให้ยืมเครื่องมือ ให้แนบคู่มือการใช้งานนี้ไปพร้อมกันด้วยเสมอ
- อย่าให้เด็กหรือผู้เยาว์ที่อายุต่ำกว่า 18 ปีใช้งานเครื่องมือนี้ ดูแลให้เด็กหรือผู้เยาว์อยู่ห่างจากเครื่องมือ
- จัดการเครื่องมือด้วยความใส่ใจและระมัดระวังอย่างที่สุด
- ห้ามใช้เครื่องมือหลังจากดื่มเครื่องดื่มแอลกอฮอล์ หรือยา หรือหากรู้สึกเหนื่อยล้าหรือป่วย
- ห้ามพยายามดัดแปลงเครื่องมือ
- อย่าใช้เครื่องมือในสภาพอากาศที่ไม่ดี โดยเฉพาะเมื่อมีความเสี่ยงที่จะเกิดฟ้าผ่า ซึ่งจะเพิ่มความเสี่ยงในการถูกฟ้าผ่า

- ข้อกำหนดประเทศอาจมีการจำกัดการใช้เครื่องมือปฏิบัติตามข้อบังคับเกี่ยวกับการควบคุมเครื่องมือในประเทศของคุณ

อุปกรณ์ป้องกันส่วนบุคคล

- สวมหมวกนิรภัย แว่นนิรภัย และถุงมือป้องกันเพื่อป้องกันตัวเองจากเศษวัสดุกระเด็นหรือวัตถุที่ตกลงมา
- สวมอุปกรณ์ป้องกันหู เช่น ที่ครอบหู เพื่อป้องกันการสูญเสียการได้ยิน
- สวมเสื้อผ้าและรองเท้าที่เหมาะสมเพื่อการใช้งานอย่างปลอดภัย เช่น ชุดทำงานติดกัน และรองเท้าแข็งแรงที่มีพื้นกันลื่น อย่าสวมเครื่องแต่งกายที่รุ่มร่าม หรือสวมเครื่องประดับ เสื้อผ้าที่รุ่มร่าม เครื่องประดับ หรือผมที่มีความยาวอาจเข้าไปติดในชิ้นส่วนที่เคลื่อนที่
- ขณะใช้งานโซ่เลื่อยหรือกำลังปรับแรงดึงของโซ่ ให้สวมถุงมือป้องกัน โซ่เลื่อยอาจตัดมือที่ไม่มีอุปกรณ์ป้องกันและทำให้ได้รับบาดเจ็บสาหัสได้

ความปลอดภัยของพื้นที่ทำงาน

- ให้เครื่องมืออยู่ห่างจากสายไฟและสายสื่อสาร (รวมถึงกิ่งไม้โตๆ ที่สัมผัสสายดังกล่าว) อย่างน้อย 15 m การแตะหรือเข้าไปใกล้สายไฟไฟฟ้าแรงสูงด้วยเครื่องมืออาจก่อให้เกิดการเสียชีวิตหรือการบาดเจ็บร้ายแรง ตรวจสอบสายไฟและรั้วไฟฟ้ารอบๆ พื้นที่ทำงานก่อนเริ่มทำงาน
- ใช้งานเครื่องมือภายใต้ทัศนวิสัยที่ดีและในสภาวะที่มีแสงสว่างตอนกลางวันเท่านั้น อย่าใช้งานเครื่องมือในที่มืดหรือมีหมอก
- ในระหว่างการใช้งาน ห้ามยืนบนพื้นที่ไม่มั่นคงหรือลื่น หรือทางลาดชัน ระหว่างฤดูหนาว ให้ระวังน้ำแข็งและหิมะ และตรวจสอบทำยีนให้มั่นคงเสมอ
- ในระหว่างการใช้งาน ให้ผู้ที่อยู่ใกล้เคียงหรือสัตว์อยู่ห่างจากเครื่องมืออย่างน้อย 15 m หยุดใช้เครื่องมือทันทีที่มีผู้เข้ามาใกล้
- ระหว่างที่ทำงานร่วมกับคนสองคนขึ้นไป ให้รักษาระยะห่างอย่างน้อย 15 m หรือมากกว่าระหว่างกัน และกำหนดให้มีคนคอยดูหนึ่งคน
- ก่อนทำงาน ให้ตรวจสอบรวดเร็ว กำแพง หรือวัตถุที่แข็งอื่นๆ บริเวณพื้นที่ทำงาน เนื่องจากอาจทำให้โซ่เลื่อยเสียหายได้

การเตรียมความพร้อม

- ก่อนการประกอบหรือปรับเครื่องมือ ให้ปิดสวิตช์เครื่องมือและถอดตัลัมเบตเตอร์ออก
- ก่อนใช้งานโซ่เลื่อยหรือกำลังปรับแรงดึงของโซ่ ให้สวมถุงมือป้องกัน

- ก่อนเริ่มใช้งานเครื่องมือ ให้ตรวจสอบเครื่องมือว่ามีความเสียหาย สกรู/นอตหลวม หรือการประกอบไม่ถูกต้องหรือไม่ ลับคมโซ่เลื่อยที่ทื่อแล้ว หากโซ่เลื่อยงอหรือเสียหาย ให้เปลี่ยนใหม่ ตรวจสอบก้านควบคุมและสวิตช์ทั้งหมดว่าสามารถทำงานได้โดยไม่ต้องขัดทำความสะอาดตามจับและเช็ดให้แห้ง
- ห้ามพยายามสตาร์ทเครื่องมือหากเครื่องมือเสียหายหรือประกอบไม่สมบูรณ์ ไม่เช่นนั้นอาจส่งผลให้ได้รับบาดเจ็บสาหัสได้
- ปรับสายคล้องไหล่ให้เหมาะกับขนาดร่างกายของผู้ปฏิบัติงาน
- ปรับแรงดึงโซ่ให้เหมาะสม เดิมน้ำมันโซ่หากจำเป็น

- สวมอุปกรณ์ป้องกันส่วนบุคคลก่อนเริ่มใช้งานเครื่องมือ

- ก่อนเริ่มใช้งานเครื่องมือ ตรวจสอบให้แน่ใจว่าไม่มีคนอื่นหรือสัตว์ในพื้นที่ปฏิบัติงาน

- เมื่อทำการติดตั้งตัลัมเบตเตอร์ ให้ดูแลโซ่เลื่อยและแผ่นบังคับโซ่ให้ห่างจากร่างกายของคุณและสิ่งของอื่นๆ รวมถึงพื้น เนื่องจากโซ่เลื่อยอาจเคลื่อนที่เมื่อเริ่มทำงานและอาจทำให้คุณได้รับบาดเจ็บร้ายแรงหรือทำให้โซ่เลื่อยและ/หรือทรัพย์สินเสียหายได้
- วางเครื่องมือไว้บนพื้นที่มั่นคง รักษาความสมดุลและทำยีนให้มั่นคง

การใช้งาน

- ในกรณีฉุกเฉิน ให้ปิดสวิตช์เครื่องมือทันที
- หากคุณสังเกตเห็นสภาพที่ผิดปกติ (เช่น เสียงรบกวน การสั่นสะเทือน) ระหว่างการใช้งาน ให้ปิดสวิตช์เครื่องมือ อย่าใช้เครื่องมือนั้นจนกว่าจะพบสาเหตุและดำเนินการแก้ไขแล้ว
- โซ่เลื่อยจะเคลื่อนที่ต่อไปเป็นเวลาสั้นๆ หลังจากปิดสวิตช์เครื่องมือแล้ว อย่ารีบสัมผัสโซ่เลื่อย
- ระหว่างการทำงาน ให้ใช้สายสะพายไหล่ จับเครื่องมือให้อยู่ทางด้านขวาของคุณให้แน่น
- จับตามจับด้านหน้าด้วยมือซ้ายและจับตามจับด้านหลังด้วยมือขวา ไม่ว่าคุณจะเป็นคนถนัดขวาหรือซ้ายก็ตาม กำหนัมือและนิ้วโป้งของคุณรอบตามจับ
- ถือเครื่องมือโดยมีพื้นผิวที่หุ้มด้วยฉนวนไฟฟ้าเท่านั้น เนื่องจากโซ่เลื่อยอาจสัมผัสกับสายไฟที่ซ่อนอยู่ โซ่เลื่อยที่สัมผัสกับสายไฟ "ที่มีกระแสไฟฟ้าเดินอยู่" อาจทำให้ชิ้นส่วนที่เป็นหลักของเครื่องตัดแต่งกิ่งที่ยึดตามอกที่ถูกล้มล้ม "ได้รับกระแสไฟฟ้า" และเกิดไฟช็อตแก่ผู้ใช้งาน

7. ห้ามพยายามใช้งานเครื่องมือด้วยมือข้างเดียว การสูญเสียการควบคุมอาจส่งผลให้ได้รับบาดเจ็บสาหัสหรือบาดเจ็บจนถึงแก่ชีวิตได้ เพื่อลดความเสี่ยงจากการบาดเจ็บ ให้รักษาระยะห่างระหว่างมือและเท้าจากโซ่เลื่อย
 8. อย่าทำงานในระบะที่สูดเอื้อม รักษาทำยีนและการทรงตัวที่เหมาะสมเสมอ มองสิ่งกีดขวางที่ซ่อนอยู่ อย่างเช่น ตอไม้ รากไม้ และร่องน้ำ เพื่อหลีกเลี่ยงการสะดุด กำจัดกิ่งไม้ที่ตกอยู่และสิ่งอื่นๆ ออกไป
 9. ห้ามทำงานบนบันไดหรือต้นไม้ เพื่อหลีกเลี่ยงไม่ให้สูญเสียการควบคุม
 10. หากเครื่องมือถูกกระแทกอย่างรุนแรงหรือตกหล่น ให้ตรวจสอบสภาพของเครื่องมือก่อนทำงานต่อ หากมีความเสียหายหรือข้อสงสัยใดๆ โปรดสอบถามศูนย์บริการที่ผ่านการรับรองจาก Makita เพื่อรับการตรวจสอบและซ่อมแซม
 11. ห้ามให้มีสิ่งใดสัมผัสกับส่วนหัวของเครื่องมือ ส่วนหัวของเครื่องมือจะร้อนระหว่างการทำงาน
 12. หยุดพักเพื่อป้องกันการสูญเสียการควบคุมเนื่องจากความเหนื่อยล้า ขอแนะนำให้หยุดพัก 10 ถึง 20 นาที ทุกๆ ชั่วโมง
 13. เมื่อคุณละจากเครื่องมือ แม้ว่าจะจะเป็นระยะเวลาสั้นๆ ให้ปิดสวิตช์เครื่องมือและถอดด้ามแบตเตอรี่ออกเสมอ เครื่องมือที่กำลังทำงานอยู่โดยไม่มีผู้ดูแลอาจถูกใช้โดยผู้ที่ไม่ได้รับการรับรองและทำให้เกิดอุบัติเหตุร้ายแรงได้
 14. ขณะใช้งานเครื่องมือ อย่ายกแขนขาขึ้นสูงเหนือระดับไหล่
 15. ระหว่างการทำงาน ห้ามให้โซ่เลื่อยกระทบกับของแข็ง อย่างเช่น หินและตะปู ใช้ความระมัดระวังเป็นพิเศษ ขณะตัดกิ่งไม้ใกล้กับกำแพง รั้วลวด หรือสิ่งอื่นที่ใกล้เคียง
 16. หากกิ่งไม้ติดเข้ากับเครื่องมือ ให้หยุดเครื่องมือและถอดด้ามแบตเตอรี่ออกเสมอ ไม่เช่นนั้นการเริ่มทำงานโดยไม่ตั้งใจอาจทำให้ได้รับบาดเจ็บร้ายแรงได้
 17. หากโซ่เลื่อยติดขัด ให้ปิดสวิตช์เครื่องมือและถอดด้ามแบตเตอรี่ก่อนทำความสะอาด
 18. การเร่งเครื่องมือโดยที่โซ่เลื่อยถูกกีดขวางอยู่จะเป็นการเพิ่มโหลตและจะทำให้เครื่องมือเสียหาย
 19. ก่อนตัดท่อนไม้ ให้เว้นพื้นที่ไว้หลบบท่อนไม้ที่ตกลงมาชั้นแรก ให้กำจัดสิ่งกีดขวางต่างๆ เช่น ท่อนไม้และกิ่งไม้ ออกจากพื้นที่ทำงาน เคลื่อนย้ายเครื่องมือและสิ่งของทั้งหมดออกจากพื้นที่หลบบไปยังสถานที่อื่นที่ปลอดภัย
 20. ก่อนตัดกิ่งไม้และท่อนไม้ ให้ตรวจสอบทิศทางการตกโดยพิจารณาถึงสภาพของกิ่งไม้และท่อนไม้ ต้นไม้ที่อยู่ติดกัน ทิศทางลม และอื่นๆ คอยสังเกตทิศทางการตกและการกระดอนของกิ่งไม้เมื่อตกกระทบพื้นอยู่ตลอด
 21. ห้ามจับเครื่องมือในองศาเกินกว่า 60° มิฉะนั้น สิ่งของอาจตกลงมาถูกผู้ปฏิบัติงานและทำให้เกิดการบาดเจ็บร้ายแรงได้ ห้ามยืนอยู่ใต้กิ่งไม้ก่อนใหญ่ที่กำลังถูกตัด
 22. ระวังกิ่งไม้ที่หักหรืออง เนื่องจากอาจตีกลับเมื่อถูกตัด ทำให้เกิดการบาดเจ็บอย่างไม่คาดคิด
 23. ก่อนตัดกิ่งไม้ท่อนใหญ่ที่ต้องการ ให้ตัดกิ่งไม้และใบไม้รอบๆ ออก มิฉะนั้น โซ่เลื่อยอาจเข้าไปติดได้
 24. การป้องกันไม้โซ่เลื่อยติดอยู่กับร่องตัด อย่าปล่อยให้ก้านก่อนดึงโซ่เลื่อยออกจากร่องตัด
 25. หากโซ่เลื่อยติดอยู่กับร่องตัด ให้หยุดเครื่องมือทันที ชะงักงันไม่อย่างระมัดระวังเพื่อให้อ่างตัดเปิดออกและทำให้โซ่เลื่อยหลุดออก
 26. หลีกเลี่ยงการตีกลับ (แรงปฏิกิริยาจากการหมุนที่พุ่งเข้าหาผู้ปฏิบัติงาน) การป้องกันการตีกลับ ห้ามใช้ปลายแผ่นบังคับโซ่หรือทำการตัดทะลวง ให้ระวังตำแหน่งของปลายแผ่นบังคับโซ่เสมอ
 27. ตรวจสอบแรงดึงโซ่เป็นประจำ ระหว่างที่ตรวจสอบหรือปรับแรงดึงโซ่ ให้ปิดสวิตช์เครื่องมือและถอดด้ามแบตเตอรี่ออก หากแรงดึงหลวม ให้ขันให้แน่น
 28. เมื่อคุณใช้เครื่องมือบนพื้นที่เป็นโคลน ทางลาดที่เปียกหรือสถานที่ที่ลื่น ให้ระวังการยื่นของคุณ
 29. อย่าจุ่มเครื่องมือลงไปในอ่างน้ำ
 30. อย่าวางเครื่องมือทิ้งไว้บนอาคารากลางฝน
- ### การเคลื่อนย้าย
1. ก่อนการเคลื่อนย้ายเครื่องมือ ให้ปิดสวิตช์เครื่องมือและถอดด้ามแบตเตอรี่ออก ใส่ฝาคอบแผ่นบังคับโซ่ระหว่างการเคลื่อนย้ายเสมอ
 2. เมื่อเคลื่อนย้ายเครื่องมือ ให้ถือในตำแหน่งแนวนอน โดยจับที่ด้ามจับ
- ### การบำรุงรักษา
1. นำอุปกรณ์ไปเข้ารับการซ่อมที่ศูนย์บริการที่ได้รับการรับรองของเรา และใช้อะไหล่ทดแทนของแท้เสมอ การซ่อมที่ไม่ถูกต้องและการบำรุงรักษาที่ไม่เหมาะสม จะทำให้อายุการใช้งานของเครื่องมือสั้นลง และเพิ่มความเสี่ยงที่จะเกิดอุบัติเหตุได้
 2. ก่อนดำเนินการบำรุงรักษาใดๆ หรือทำการซ่อม หรือทำความสะอาดเครื่องมือ ให้ปิดสวิตช์เครื่องมือและถอดด้ามแบตเตอรี่ออกเสมอ รอจนกว่าเครื่องมือจะเย็นลง

- ใส่ถุงมือป้องกันขณะจับโซ่เลื่อยเสมอ
- หลังจากการใช้งานในแต่ละครั้ง ให้ขันสกรูและน็อตทุกตัวให้แน่น ยกเว้นสกรูปรับ
- ดูแลให้โซ่เลื่อยคมอยู่เสมอ หากโซ่เลื่อยทื่อและประสิทธิภาพการตัดแย่ ให้นำใบเลื่อยไปลับที่ศูนย์บริการที่ผ่านการรับรองจาก Makita หรือเปลี่ยนใหม่
- อย่าพยายามทำการบำรุงรักษาหรือทำการซ่อมเครื่องมือซึ่งไม่มีคำอธิบายในคู่มือการใช้งานนี้ โปรดสอบถามศูนย์บริการที่ได้รับการรับรองของ Makita เพื่อรับการบำรุงรักษาหรือซ่อมแซม
- ใช้อะไหล่และอุปกรณ์เสริมของแท้ของ Makita เสมอเท่านั้น การใช้อะไหล่หรืออุปกรณ์เสริมของยี่ห้ออื่นอาจส่งผลให้เครื่องมือเสียหาย สร้างความเสียหายให้ทรัพย์สิน และ/หรือทำให้ได้รับบาดเจ็บได้

การเก็บรักษา

- ก่อนจัดเก็บเครื่องมือ ให้ทำความสะอาดและบำรุงรักษาอย่างถี่ถ้วน ใส่ฝาครอบแผ่นบังคับโซ่ ถอดด้ามแบตเตอรี่ ระบายน้ำมันโซ่ออกหลังจากที่เครื่องมือเย็นลงแล้ว
- จัดเก็บเครื่องมือในที่แห้งและสูงหรือมีการปิดล็อกเพื่อไม่ให้พ้นจากมือเด็ก
- อย่าวางอุปกรณ์พียงกับสิ่งอื่น เช่น ผนัง ไม่เช่นนั้น อุปกรณ์อาจร่วงหล่นลงมาทันทีและทำให้ได้รับบาดเจ็บได้
- เมื่อจัดเก็บเครื่องมือ ให้หลีกเลี่ยงแสงแดดโดยตรงและฝน และจัดเก็บเครื่องมือไว้ในที่ที่จะไม่เกิดความร้อนหรือความชื้น

ความปลอดภัยทางไฟฟ้าและแบตเตอรี่

- อย่ากำจัดแบตเตอรี่ในไฟ แบตเตอรี่อาจจะระเบิดได้ ตรวจสอบรหัสท้องถิ่นสำหรับคำแนะนำเกี่ยวกับการกำจัดทั้งแบบพิเศษ
- อย่าเปิดหรือทำให้แบตเตอรี่เสียหาย อีเล็กโทรไลต์ที่ถูกปล่อยออกมามีคุณสมบัติกัดกร่อน และอาจทำลายดวงตาหรือผิวหนังได้ อาจเป็นพิษหากกลืนกินเข้าไป
- อย่าชาร์จแบตเตอรี่กลางฝนหรือในสถานที่ที่เปียก
- ห้ามชาร์จไฟนอกบ้าน หรือกลางแจ้ง
- ห้ามจับอุปกรณ์ชาร์จรวมถึงปลั๊กเครื่องชาร์จและขั้วอุปกรณ์ชาร์จด้วยมือที่เปียก
- หลีกเลี่ยงการใช้งานในสภาพแวดล้อมที่อันตราย ห้ามใช้เครื่องมือในพื้นที่เปียกชื้นหรือโดนเม็ดฝน น้ำที่เข้าไปในเครื่องมือจะเพิ่มความเสี่ยงในการเกิดไฟฟ้าช็อต

- อย่าเปลี่ยนแบตเตอรี่กลางฝน

ปฏิบัติตามคำแนะนำเหล่านี้

⚠ คำเตือน: อย่าให้ความไม่ระมัดระวังหรือความคุ้นเคยกับผลิตภัณฑ์ (จากการใช้งานซ้ำหลายครั้ง) อยู่เหนือการปฏิบัติตามกฎเกณฑ์ด้านความปลอดภัยในการใช้งาน ผลิตภัณฑ์อย่างเคร่งครัด การใช้งานอย่างไม่เหมาะสมหรือการไม่ปฏิบัติตามกฎเกณฑ์ด้านความปลอดภัยในคู่มือการใช้งานนี้อาจทำให้ได้รับบาดเจ็บร้ายแรง

คำแนะนำเพื่อความปลอดภัยที่สำคัญสำหรับด้ามแบตเตอรี่

- ก่อนใช้งานด้ามแบตเตอรี่ ให้อ่านคำแนะนำและเครื่องหมายเตือนทั้งหมดบน (1) เครื่องชาร์จแบตเตอรี่ (2) แบตเตอรี่ และ (3) ตัวผลิตภัณฑ์ที่ใช้แบตเตอรี่
- อย่าถอดแยกชิ้นส่วนหรือทำการดัดแปลงด้ามแบตเตอรี่ เนื่องจากอาจทำให้เกิดไฟไหม้ ความร้อนที่สูงเกินไป หรือระเบิดได้
- หากระยะเวลาที่เครื่องทำงานสั้นเกินไป ให้หยุดใช้งานทันที เนื่องจากอาจมีความเสี่ยงที่จะร้อนจัด ไหม้หรือระเบิดได้
- หากสารละลายอิเล็กโทรไลต์กระเด็นเข้าตา ให้ล้างออกด้วยน้ำเปล่าและรีบไปพบแพทย์ทันที เนื่องจากอาจทำให้ตาบอด
- ห้ามลัดวงจรด้ามแบตเตอรี่:
 - (1) ห้ามแตะขั้วกับวัตถุที่เป็นสื่อนำไฟฟ้าใดๆ
 - (2) หลีกเลี่ยงการเก็บด้ามแบตเตอรี่ไว้ในภาชนะร่วมกับวัตถุที่เป็นโลหะ เช่น กรรไกรตัดเล็บ เหรียญ ฯลฯ
 - (3) อย่าให้ด้ามแบตเตอรี่ถูกนำหรือฝุ่น แบตเตอรี่ลัดวงจรอาจทำให้เกิดการไหลของกระแสไฟฟ้า ร้อนจัด ไหม้หรือเสียหายได้
- ห้ามเก็บและใช้เครื่องมือและด้ามแบตเตอรี่ไว้ในสถานที่ที่อุณหภูมิสูงถึงหรือเกิน 50 °C (122 °F)
- ห้ามเผาผลาญด้ามแบตเตอรี่ทิ้ง แม้ว่าแบตเตอรี่จะเสียหายจนใช้การไม่ได้หรือเสื่อมสภาพแล้ว ด้ามแบตเตอรี่อาจจะระเบิดในกองไฟ
- อย่าตกตะปู ตัด บด ข้าง หรือทำด้ามแบตเตอรี่หล่นพื้น หรือกระแทกด้ามแบตเตอรี่กับวัตถุของแข็ง การกระทำดังกล่าวอาจส่งผลให้เกิดไฟไหม้ ความร้อนที่สูงเกินไป หรือระเบิดได้
- ห้ามใช้แบตเตอรี่ที่เสียหาย

10. แบตเตอรี่ลิเทียมไอออนที่มีมาให้ นั้นเป็นไปตามข้อกำหนดของ Dangerous Goods Legislation สำหรับการขนส่งเพื่อการพาณิชย์ เช่น โดยบุคคลที่สาม ตัวแทนขนส่งสินค้า จะต้องตรวจสอบข้อกำหนดพิเศษในด้านการบรรจุหีบห่อหรือการติดป้ายสินค้าในการเตรียมสินค้าที่จะขนส่ง ให้ปรึกษาผู้เชี่ยวชาญด้านวัตถุอันตราย โปรดตรวจสอบข้อกำหนดในประเทศที่อาจมีรายละเอียดอื่นๆ เพิ่มเติม ให้ติดเทปหรือปิดหน้าสัมผัสและห่อแบตเตอรี่ในลักษณะที่แบตเตอรี่จะไม่เคลื่อนที่ไปมาในหีบห่อ
11. เมื่อจำกัดตลับแบตเตอรี่ ให้ถอดตลับแบตเตอรี่ออกจากเครื่องมือและกำจัดในสถานที่ที่ปลอดภัย ปฏิบัติตามข้อบังคับในท้องถิ่นที่เกี่ยวข้องกับการกำจัดแบตเตอรี่
12. ใช้แบตเตอรี่กับผลิตภัณฑ์ที่ระบุโดย Makita เท่านั้น การติดตั้งแบตเตอรี่ในผลิตภัณฑ์ที่ไม่ใช่ตามที่ระบุอาจทำให้เกิดไฟไหม้ ความร้อนสูง ระเบิด หรืออิเล็กทรอนิกส์รั่วไหลได้
13. หากไม่ใช่เครื่องมือเป็นระยะเวลานาน จะต้องถอดแบตเตอรี่ออกจากเครื่องมือ
14. ในระหว่างและหลังการใช้งาน ตลับแบตเตอรี่อาจร้อนซึ่งอาจลวกผิวหรือทำให้ผิวไหม้ที่อุณหภูมิต่ำได้ โปรดระมัดระวังในการจัดการกับแบตเตอรี่ที่ร้อน
15. อย่าสัมผัสผิวของเครื่องมือทันทีหลังจากการใช้งาน เนื่องจากอาจมีความร้อนพอที่จะทำให้ผิวไหม้ได้
16. อย่าปล่อยให้เศษวัสดุ ผุ่นผง หรือดินเข้าไปติดอยู่ในตัว รู และร่องของตลับแบตเตอรี่ เนื่องจากอาจทำให้เกิดความร้อน ไฟไหม้ ระเบิด และทำให้เครื่องมือหรือตลับแบตเตอรี่ทำงานผิดปกติ ส่งผลให้โดนลวกหรือเกิดการบาดเจ็บได้
17. หากเครื่องมือไม่รองรับสายไฟแรงดันสูง อย่าใช้ตลับแบตเตอรี่ใกล้กับสายไฟแรงดันสูง เนื่องจากเครื่องมือหรือตลับแบตเตอรี่อาจทำงานผิดปกติหรือเสียหายได้
18. เก็บแบตเตอรี่ให้ห่างจากเด็ก

ปฏิบัติตามคำแนะนำเหล่านี้

⚠️ ข้อควรระวัง: ใช้แบตเตอรี่ของแท้จาก Makita เท่านั้น การใช้แบตเตอรี่ Makita ที่ไม่แท้ หรือแบตเตอรี่ที่ถูกเปลี่ยน อาจทำให้แบตเตอรี่ระเบิด ก่อให้เกิดเพลิงลุกไหม้ การบาดเจ็บ และความเสียหายได้ และจะทำให้การรับประกันของ Makita สำหรับเครื่องมือและแท่นชาร์จของ Makita เป็นโมฆะด้วย

เคล็ดลับในการรักษาอายุการใช้งานของแบตเตอรี่ให้ยาวนานที่สุด

1. ชาร์จตลับแบตเตอรี่ก่อนที่ไฟจะหมด หยุดการใช้งานแล้วชาร์จประจุไฟฟ้าใหม่ทุกครั้งเมื่อคุณรู้สึกว่าคุณปรารถนามีกำลังลดลง
2. อย่าชาร์จตลับแบตเตอรี่ที่มีไฟเต็มแล้ว การชาร์จประจุไฟฟ้ามากเกินไปอาจจะทำให้อายุการใช้งานของตลับแบตเตอรี่สั้นลง
3. ชาร์จประจุไฟฟ้าตลับแบตเตอรี่ในห้องที่มีอุณหภูมิระหว่าง 10 °C - 40 °C ปล่อยให้ตลับแบตเตอรี่เย็นลงก่อนที่จะชาร์จไฟ
4. เมื่อไม่ใช่ตลับแบตเตอรี่ ให้ถอดออกจากเครื่องมือหรือเครื่องชาร์จ
5. ชาร์จไฟตลับแบตเตอรี่หากคุณไม่ต้องการใช้เป็นเวลานาน (เกินกว่าหกเดือน)

คำอธิบายชิ้นส่วนต่างๆ

► หมายเลข 1

1	ไฟดวงหลัก	2	สวิตช์ไฟหลัก	3	ที่แขวน
4	ก้านปลดลิ้อค	5	ตลับแบตเตอรี่	6	สวิตช์สั่งงาน
7	ด้ามจับด้านหลัง	8	โซ่คล้อง	9	แถบยาง
10	ฝาปิดถังน้ำมัน	11	แหวนลิ้อค	12	น็อตยึด
13	สกรูปรับโซ่	14	ฝาครอบแถบยาง	15	ด้ามจับด้านหน้า

คำอธิบายการทำงาน

⚠ ข้อควรระวัง: ตรวจสอบให้แน่ใจว่าได้ปิดสวิทช์เครื่องมือและถอดด้ามแบตเตอรี่ออกก่อนปรับตั้งหรือตรวจสอบการทำงานของเครื่องมือ

การใส่หรือการถอดด้ามแบตเตอรี่

⚠ ข้อควรระวัง: ปิดสวิทช์เครื่องมือก่อนทำการติดตั้งหรือการถอดด้ามแบตเตอรี่ทุกครั้ง

⚠ ข้อควรระวัง: ถือเครื่องมือและด้ามแบตเตอรี่ให้แน่นในระหว่างการติดตั้งหรือการถอดด้ามแบตเตอรี่ หากไม่ถือเครื่องมือและด้ามแบตเตอรี่ให้แน่น อาจทำให้ด้ามแบตเตอรี่และเครื่องมือสั่นหลุดมือ และทำให้เครื่องมือและด้ามแบตเตอรี่เสียหายหรือได้รับบาดเจ็บได้

▶ **หมายเลข 2:** 1. ซิลลี่แดง 2. ปุ่ม 3. ด้ามแบตเตอรี่

เมื่อต้องการถอดด้ามแบตเตอรี่ ให้เลื่อนปุ่มที่ด้านหน้าของด้ามแล้วดึงออกจากเครื่องมือ

การติดตั้งด้ามแบตเตอรี่ ให้จัดตำแหน่งลิ้นของด้ามแบตเตอรี่ให้ตรงกับร่องของเครื่อง แล้วเลื่อนเข้าที่ ใส่ด้ามแบตเตอรี่เข้าจนสุดจนกระทั่งได้ยินเสียงคลิกกล็อคเข้าที่ หากยังเห็นซิลลี่แดงตามที่แสดงในภาพ แสดงว่าด้ามแบตเตอรี่ยังไม่ล็อคเข้าที่

⚠ ข้อควรระวัง: ให้หันด้ามแบตเตอรี่เข้าจนสุดจนไม่เห็นซิลลี่แดงอีก ไม่เช่นนั้น ด้ามแบตเตอรี่อาจหลุดออกจากเครื่องมือทำให้คุณหรือคนรอบข้างได้รับบาดเจ็บ

⚠ ข้อควรระวัง: อย่าฝืนติดตั้งด้ามแบตเตอรี่โดยใช้แรงมากเกินไป หากด้ามแบตเตอรี่ไม่เลื่อนเข้าไปโดยง่าย แสดงว่าใส่ไม่ถูกต้อง

การระบุระดับพลังงานแบตเตอรี่ที่เหลืออยู่

กดปุ่ม ตรวจสอบ บนด้ามแบตเตอรี่เพื่อดูปริมาณแบตเตอรี่ที่เหลือ ไฟแสดงสถานะจะสว่างขึ้นเป็นเวลาสองสามวินาที

▶ **หมายเลข 3:** 1. ไฟแสดงสถานะ 2. ปุ่มตรวจสอบ

ไฟแสดงสถานะ			แบตเตอรี่ที่เหลือ
ไฟสว่าง	ดับ	กะพริบ	
			75% ถึง 100%
			50% ถึง 75%
			25% ถึง 50%
			0% ถึง 25%
			ชาร์จไฟแบตเตอรี่
			แบตเตอรี่อาจจะเสีย

หมายเหตุ: ขึ้นอยู่กับสภาพการใช้งานและอุณหภูมิ โดยรอบ การแสดงสถานะอาจจะแตกต่างจากปริมาณแบตเตอรี่จริงเล็กน้อย

หมายเหตุ: ไฟแสดงสถานะดวงแรก (ซ้ายสุด) จะกะพริบเมื่อระบบป้องกันแบตเตอรี่ทำงาน

ระบบป้องกันเครื่องมือ/แบตเตอรี่

เครื่องมือมีระบบป้องกันเครื่องมือ/แบตเตอรี่ ระบบนี้จะตัดไฟที่ส่งไปยังมอเตอร์โดยอัตโนมัติเพื่อยืดอายุการใช้งานเครื่องมือและแบตเตอรี่ เครื่องมือจะหยุดทำงานระหว่างการใช้งานโดยอัตโนมัติ หากเครื่องมือหรือแบตเตอรี่อยู่ภายใต้สถานการณ์ต่อไปนี้

การป้องกันโอเวอร์โหลด

เมื่อแบตเตอรี่ทำงานในลักษณะที่อาจใช้กระแสไฟฟ้าสูงผิดปกติ เครื่องมือจะหยุดทำงานโดยอัตโนมัติ และสัญญาณไฟหลักจะกะพริบเป็นสีเขียว ในกรณีนี้ ให้ปิดเครื่องมือและหยุดการใช้งานที่อาจทำให้เครื่องมือทำงานหนักเกินไป แล้วเปิดเครื่องมือเพื่อเริ่มการทำงานอีกครั้ง

การป้องกันความร้อนสูงเกิน

เมื่อเครื่องมือหรือแบตเตอรี่มีความร้อนสูงเกินไป เครื่องมือจะหยุดทำงานโดยอัตโนมัติและสัญญาณไฟหลักจะกะพริบเป็นสีแดง ในกรณีนี้ ปล่อยให้เครื่องมือและแบตเตอรี่เย็นลงก่อนที่จะเปิดเครื่องมืออีกครั้ง

หมายเหตุ: ในสภาพแวดล้อมที่มีอุณหภูมิสูง ระบบป้องกันความร้อนสูงเกินจะไปทำงานและเครื่องมือจะหยุดทำงานโดยอัตโนมัติ

การป้องกันไฟหมด

เมื่อความจุแบตเตอรี่ไม่เพียงพอ เครื่องมือจะหยุดทำงานโดยอัตโนมัติและสัญญาณไฟหลักจะกะพริบเป็นสีแดง ในกรณีนี้ ให้ถอดแบตเตอรี่ออกจากเครื่องมือและนำแบตเตอรี่ไปชาร์จไฟ

การป้องกันจากสาเหตุอื่นๆ

ระบบป้องกันได้รับการออกแบบมาเพื่อสาเหตุอื่นๆ ที่อาจสร้างความเสียหายต่อเครื่องมือและทำให้เครื่องมือหยุดทำงานโดยอัตโนมัติ ดำเนินการตามขั้นตอนดังต่อไปนี้ทุกขั้นตอนเพื่อกำจัดสาเหตุออกไป เมื่อเครื่องมือหยุดทำงานชั่วคราวหรือหยุดทำงาน

1. ปิดเครื่องมือ แล้วเปิดใหม่เพื่อเริ่มใช้งานอีกครั้ง
2. ชาร์จหรือเปลี่ยนแบตเตอรี่โดยนำแบตเตอรี่ที่ชาร์จแล้วมาใช้แทน
3. ปล่อยให้เครื่องมือและแบตเตอรี่เย็นลง

หากอาการไม่ดีขึ้นเมื่อเปิดระบบป้องกันอีกครั้ง ให้ติดต่อศูนย์บริการ Makita ใกล้บ้านคุณ

สวิตช์ไฟหลัก

คำเตือน: ปิดสวิตช์ไฟหลักเสมอเมื่อไม่ได้ใช้งาน

การเปิดเครื่องมือให้กดสวิตช์ไฟหลัก เมื่อต้องการปิด ให้กดสวิตช์ไฟหลักอีกครั้ง

- **หมายเลข 4:** 1. สัญญาณไฟหลัก 2. สวิตช์ไฟหลัก

หมายเหตุ: สัญญาณไฟหลักจะกะพริบเป็นสีเขียวเมื่อคุณเปิดสวิตช์ไฟหลักขณะกดปุ่มล็อคและดึงสวิตช์ส่งงานลงพร้อมกัน ในกรณีนี้ ปล่อยให้สวิตช์ส่งงานและปุ่มปลดล็อค จากนั้นจึงเปิดสวิตช์ไฟหลัก

หมายเหตุ: เครื่องมือนี้มีฟังก์ชันการปิดแบบอัตโนมัติเพื่อหลีกเลี่ยงการเริ่มใช้งานเครื่องมือโดยไม่ได้ตั้งใจ สวิตช์ไฟหลักจะปิดโดยอัตโนมัติเมื่อไม่มีการกดสวิตช์ส่งงานภายในระยะเวลาหนึ่งหลังจากเปิดสวิตช์ไฟหลักแล้ว

การทำงานของสวิตช์

คำเตือน: เพื่อความปลอดภัยของคุณ เครื่องมือนี้มีการปลดล็อคติดตั้งมาด้วยซึ่งจะช่วยป้องกันไม่ให้เครื่องมือสตาร์ทโดยไม่ได้ตั้งใจ ห้ามใช้เครื่องมือหากเครื่องมือสามารถทำงานได้เมื่อคุณดึงสวิตช์ส่งงานโดยไม่ได้กดปุ่มปลดล็อค นำเครื่องมือส่งศูนย์บริการที่ผ่านการรับรองของเราเพื่อทำการซ่อมแซมก่อนการใช้งาน

คำเตือน: ห้ามพันเทปหรือขัดขวางการทำงานของปุ่มปลดล็อค

ข้อควรระวัง: ก่อนใส่ด้ามแบตเตอรี่ลงในเครื่องมือ ให้ตรวจสอบว่าสวิตช์ส่งงานสามารถทำงานได้อย่างถูกต้องและกลับไปยังตำแหน่ง "ปิด" เมื่อปล่อย

ข้อสังเกต: อย่าดึงสวิตช์ส่งงานแรงๆ โดยไม่ได้กดปุ่มปลดล็อค การทำเช่นนี้อาจทำให้สวิตช์เสียหายได้

เพื่อป้องกันไม่ให้อุปกรณ์ส่งงานถูกกดโดยไม่ได้ตั้งใจมีปุ่มปลดล็อคติดตั้งไว้ การเริ่มใช้งานเครื่องมือ ให้กดปุ่มปลดล็อคแล้วกดสวิตช์ส่งงาน ความเร็วของเครื่องมือจะเพิ่มขึ้นเมื่อออกแรงกดที่สวิตช์ส่งงานเพิ่มขึ้น ปล่อยให้สวิตช์ส่งงานเพื่อหยุดการทำงาน

- **หมายเลข 5:** 1. สวิตช์ส่งงาน 2. ปุ่มปลดล็อค

การปรับความยาวของท่อ

หากต้องการยืดหรือหดท่อ ให้คลายแหวนล็อคโดยหมุนแหวนล็อคทวนเข็มนาฬิกา จากนั้นให้ปรับความยาวของท่อแล้วขันแหวนให้แน่นโดยหมุนแหวนล็อคตามเข็มนาฬิกา

- **หมายเลข 6:** 1. แหวนล็อค 2. ท่อ

การประกอบ

ข้อควรระวัง: ตรวจสอบให้แน่ใจว่าได้ปิดสวิตช์เครื่องมือและถอดด้ามแบตเตอรี่ออกก่อนดำเนินการใดๆ กับเครื่องมือ

ข้อควรระวัง: ห้ามสัมผัสโซ่เลื่อยด้วยมือเปล่า ใส่ถุงมือขณะจับโซ่เลื่อยเสมอ

การประกอบเครื่องมือ

1. ถอดฝาปิด 2 อันออกจากท่อ และฝาปิดอีก 1 อันจากส่วนหัวของเครื่องมือ

▶ **หมายเลข 7:** 1. ฝาปิด 2. ท่อ 3. ส่วนหัวของเครื่องมือ

2. คลายสลักเกลียว 3 ตัว แล้วถอดสลักเกลียวออก 1 ตัวโดยใช้ประแจหกเหลี่ยม

▶ **หมายเลข 8:** 1. สลักเกลียว

3. สอดท่อเข้าไปในตัวเครื่องมือจนสุด จากนั้นจึงจัดรูบนท่อให้ตรงกับรูบนตัวเครื่องมือ

▶ **หมายเลข 9:** 1. รู 2. ท่อ

4. ใช้ประแจหกเหลี่ยมขันสลักเกลียว 3 ตัว

▶ **หมายเลข 10:** 1. สลักเกลียว

5. คลายสลักเกลียว 2 ตัว แล้วถอดสลักเกลียวออก 1 ตัว

▶ **หมายเลข 11:** 1. สลักเกลียว

6. คลายแหวนล็อกโดยหมุนแหวนล็อกทวนเข็มนาฬิกา จากนั้นให้ยืดท่อออกประมาณ 10 cm หรือมากกว่า แล้วขันแหวนล็อกให้แน่นโดยหมุนแหวนล็อกตามเข็มนาฬิกา

▶ **หมายเลข 12:** 1. แหวนล็อก 2. 10 cm หรือมากกว่า 3. ท่อ

7. สอดท่อเข้าไปในส่วนหัวของตัวเครื่องมือจนสุด จากนั้นจึงจัดรูบนท่อให้ตรงกับรูบนส่วนหัวของเครื่องมือ

▶ **หมายเลข 13:** 1. รู 2. ท่อ

8. ใช้ประแจหกเหลี่ยมขันสลักเกลียว 2 ตัว

▶ **หมายเลข 14:** 1. สลักเกลียว

การติดตั้งและการถอดโซ่เลื่อย

⚠ **ข้อควรระวัง:** โซ่เลื่อยปลงแถบยางยังคงร้อนหลังจากการใช้งาน ปล่อยให้เย็นก่อนการเริ่มใช้งานเครื่องมือ

⚠ **ข้อควรระวัง:** ดำเนินการตามขั้นตอนการติดตั้งหรือการถอดโซ่เลื่อยในสถานที่สะอาดโดยปราศจากขี้เลื่อยและวัตถุคล้ายคลึง

การติดตั้งโซ่เลื่อย

สำหรับการติดตั้งเลื่อย ให้ปฏิบัติตามขั้นตอนดังนี้:

1. คลายสกรูปรับโซ่ จากนั้นคลายนอตยึด

▶ **หมายเลข 15:** 1. นอตยึด 2. สกรูปรับโซ่ 3. ฝาครอบเฟืองโซ่

2. ถอดฝาครอบสเตอร์

3. ตรวจสอบทิศทางของโซ่เลื่อย จัดให้ทิศทางของโซ่เลื่อยตรงกับเครื่องหมายบนตัวเครื่องมือ

▶ **หมายเลข 16:** 1. เครื่องหมายบนตัวเครื่องมือเลื่อยยนต์

4. ติดตั้งปลายด้านหนึ่งของโซ่เลื่อยบริเวณด้านบนของแผ่นบังคับโซ่ ติดปลายอีกด้านหนึ่งของโซ่เลื่อยไว้รอบสเตอร์ ตรวจสอบให้แน่ใจว่าโซ่เลื่อยติดอยู่กับสเตอร์และเข้าไปในร่องของแผ่นบังคับโซ่อย่างถูกต้องแล้ว

5. ติดแผ่นบังคับโซ่เข้ากับตัวเครื่องมือ โดยจัดรูบนแผ่นบังคับโซ่ให้ตรงกับสลักบนตัวเครื่องมือ

▶ **หมายเลข 17:** 1. รู 2. สเตอร์

6. สอดส่วนที่ยื่นออกมาบนฝาครอบสเตอร์เข้ากับตัวเครื่องมือ จากนั้นปิดฝาครอบ โดยให้สลักเกลียวและสลักบนตัวเครื่องมือตรงกับสลักเกลียวและสลักบนฝาครอบ

▶ **หมายเลข 18:** 1. ฝาครอบเฟืองโซ่ 2. ส่วนที่ยื่นออกมา 3. สลักเกลียว 4. สลัก

7. ขันนอตยึดเพื่อยึดฝาครอบเฟืองโซ่ จากนั้นคลายออกเล็กน้อยเพื่อปรับแรงตึง

▶ **หมายเลข 19:** 1. นอตยึด

หลังติดตั้งโซ่เลื่อย ให้ปรับความตึงโซ่เลื่อยโดยอ้างอิงที่ส่วนการปรับความตึงโซ่เลื่อย

การถอดโซ่เลื่อย

สำหรับการถอดเลื่อย ให้ปฏิบัติตามขั้นตอนดังนี้:

1. คลายสกรูปรับโซ่ จากนั้นคลายนอตยึด

▶ **หมายเลข 20:** 1. นอตยึด 2. สกรูปรับโซ่

2. ถอดฝาครอบเฟืองโซ่ จากนั้นถอดโซ่เลื่อยและแผ่นบังคับโซ่ออกจากตัวเครื่องมือ

การปรับแรงตึงของโซ่เลื่อย

⚠ **ข้อควรระวัง:** อย่าขันโซ่เลื่อยให้แน่นมากจนเกินไป โซ่เลื่อยที่ตึงเกินไปอาจทำให้โซ่เลื่อยแตกหัก และทำให้แผ่นบังคับโซ่เสื่อมสภาพได้

⚠ **ข้อควรระวัง:** โซ่ที่หลวมมากเกินไปสามารถตัดออกจากแถบยาง และอาจก่อให้เกิดอุบัติเหตุหรือการบาดเจ็บได้

โซ่เลื่อยอาจหลวมหลังจากการใช้งานหลายชั่วโมง คอยตรวจสอบแรงตึงของโซ่เลื่อยเป็นครั้งคราวก่อนการใช้งาน

1. คลายนอตยึดเล็กน้อยเพื่อคลาย คลายฝาครอบเฟืองโซ่

▶ **หมายเลข 21:** 1. นอตยึด

2. ยกปลายแผ่นบังคับโซ่ขึ้นเล็กน้อยและปรับแรงตึงของโซ่ หมุนสกรูปรับโซ่ทวนเข็มนาฬิกาเพื่อขันให้แน่น และหมุนตามเข็มนาฬิกาเพื่อคลาย

ขันโซ่เลื่อยให้แน่นจนกระทั่งด้านล่างของโซ่เลื่อยเข้ากับรางของแผ่นบังคับโซ่ตามภาพ

▶ **หมายเลข 22:** 1. แถบราง 2. โซ่เลื่อย 3. สกรูปรับโซ่

3. คอยจับแผ่นบังคับโซ่ไว้เบาๆ และติดตั้งฝาครอบเฟืองโซ่

ตรวจสอบให้แน่ใจว่าโซ่เลื่อยที่ด้านล่างไม่หลวม

4. ขันน็อตยึดให้แน่นเพื่อยึดฝาปิดเฟืองโซ่

▶ **หมายเลข 23:** 1. น็อตยึด

การใช้งาน

การหล่อลื่น

ข้อสังเกต: เมื่อทำการเติมน้ำมันโซ่สำหรับเลื่อยโซ่ยนต์ในครั้งแรก หรือเติมถึงน้ำมันหลังจากการใช้งานจนว่างเปล่า ให้เติมน้ำมันตรงขอบด้านล่างของคอกที่เติม มิฉะนั้นการจ่ายน้ำมันอาจจะไม่สมบูรณ์

ข้อสังเกต: ใช้ น้ำมันโซ่เลื่อยสำหรับเลื่อยโซ่ยนต์ Makita หรือเทียบเท่า น้ำมันที่จำหน่ายในท้องตลาดเท่านั้น

ข้อสังเกต: ห้ามใช้น้ำมันที่ผสมกับฝุ่นและอนุภาคเล็กๆ หรือน้ำมันหอมระเหย

ข้อสังเกต: เมื่อทำการตัดต้นไม้ ให้ใช้น้ำมันที่สกัดจากพืช น้ำมันมีเนอรอลอาจเป็นอันตรายแก่ต้นไม้

ข้อสังเกต: ก่อนการตัดไม้ ตรวจสอบให้แน่ใจว่าได้หมุนฝาปิดถังน้ำมันให้เข้าที่

โซ่เลื่อยจะได้รับการหล่อลื่นโดยอัตโนมัติเมื่อมีการใช้งานเครื่องมือ หมั่นตรวจสอบปริมาณน้ำมันที่เหลือในถังน้ำมันผ่านแผงตรวจสอบน้ำมัน

▶ **หมายเลข 24:** 1. ถังน้ำมัน

การเติมน้ำมัน ให้วางเครื่องมือลงบนพื้นราบ จากนั้นจึงกดปุ่มบนฝาปิดถังน้ำมันเพื่อให้ปุ่มอีกด้านหนึ่งตั้งขึ้นมา แล้วถอดฝาปิดถังน้ำมันโดยหมุนฝาออก

ปริมาณน้ำมันที่เหมาะสมคือ 160 ml หลังจากการเติมน้ำมันลงไปถึง ตรวจสอบให้แน่ใจว่าได้ขันฝาปิดถังน้ำมันจนแน่นแล้ว

▶ **หมายเลข 25:** 1. ฝาปิดถังน้ำมัน 2. ขันแน่น 3. คลาย

หมายเหตุ: หากฝาปิดถังน้ำมันถอดยาก ให้สอดประแจแหวนเข้าไปในช่องของฝาปิดถังน้ำมัน แล้วถอดฝาปิดถังน้ำมันออกโดยหมุนทวนเข็มนาฬิกา

▶ **หมายเลข 26:** 1. ช่อง 2. ประแจแหวน

หลังจากการเติม ให้ถือเครื่องมือออกจากต้นไม้ เริ่มเปิดใช้งานและรอจนกระทั่งการหล่อลื่นบนโซ่เลื่อยเพียงพอ

▶ **หมายเลข 27**

การใส่สายสะพายไหล่

⚠ ข้อควรระวัง: เมื่อคุณใช้เครื่องมือร่วมกับแหล่งจ่ายไฟแบบสะพายหลัง เช่น ชุดต้นกำลังแบบพกพา อย่าใช้สายสะพายไหล่ที่รวมอยู่ในชุดเครื่องมือ แต่ให้ใช้สายแขวนที่ Makita แนะนำ

หากคุณใช้สายสะพายไหล่ที่แนบในชุดเครื่องมือและสายสะพายไหล่ของแหล่งจ่ายไฟแบบสะพายหลังพร้อมกัน การถอดเครื่องมือหรือแหล่งจ่ายไฟแบบสะพายหลังจะทำให้ยากในกรณีฉุกเฉิน และอาจก่อให้เกิดอุบัติเหตุหรือการบาดเจ็บ สำหรับสายแขวนที่แนะนำ ให้สอบถามศูนย์บริการที่ได้รับการรับรองจาก Makita

⚠ ข้อควรระวัง: ใช้สายสะพายไหล่ที่ติดตั้งไว้กับเครื่องมือเสมอ ก่อนใช้งาน ให้ปรับสายสะพายไหล่ตามขนาดร่างกายของผู้ใช้เพื่อป้องกันความเมื่อยล้า

⚠ ข้อควรระวัง: ก่อนใช้งาน ตรวจสอบให้แน่ใจว่าสายสะพายไหล่ถูกติดตั้งเข้ากับที่แขวนเครื่องมืออย่างเหมาะสมแล้ว

⚠ ข้อควรระวัง: ก่อนการทำงาน ตรวจสอบให้แน่ใจว่ารัดหัวเข็มขัดบนสายสะพายไหล่แน่นดีแล้ว

⚠ ข้อควรระวัง: ใช้สายสะพายไหล่เฉพาะสำหรับเครื่องมือนี้เสมอ อย่าใช้สายสะพายไหล่ประเภทอื่น

1. สายสะพายสะพายไหล่และยึดหัวเข็มขัด

▶ **หมายเลข 28:** 1. หัวเข็มขัด

หมายเหตุ: เมื่อถอดสายสะพายไหล่ ให้ปลดล็อกหัวเข็มขัดและถอดสายสะพายไหล่ ออก

2. ปรับสายสะพายไหล่ในตำแหน่งที่ทำให้ทำงานได้อย่างสะดวก

▶ **หมายเลข 29**

3. เกี่ยวข้องเกี่ยวกับสายสะพายไหล่เข้ากับที่แขวนเครื่องมือ

▶ **หมายเลข 30:** 1. ขอบเกี่ยว 2. ที่แขวน

สายสะพายไหล่มีคุณสมบัติที่ปลดออกได้อย่างรวดเร็ว เพียง
บิดด้านข้างของหัวเข็มขัดเพื่อปลดสายสะพายไหล่

► **หมายเลข 31:** 1. หัวเข็มขัด

การทำงานกับเครื่องมือ

⚠ ข้อควรระวัง: ดูแลร่างกายทุกส่วนให้ห่างจากโซ่เลื่อย
ในขณะที่เลื่อยกำลังทำงาน

⚠ ข้อควรระวัง: ถือเครื่องมือให้แน่นด้วยมือทั้งสองข้าง
เมื่อมอเตอร์กำลังทำงาน

⚠ ข้อควรระวัง: อย่าทำงานในระยะที่สูดเอื้อม จัดทำการ
ยืนและการทรงตัวให้เหมาะสมตลอดเวลา

⚠ ข้อควรระวัง: เมื่อตัดผ่านกิ่งไม้ ระวังอย่าสูญเสียการ
ทรงตัวเนื่องจากน้ำหนักของส่วนหัวของเครื่องมือ

⚠ ข้อควรระวัง: วางเส้นทางการหลบหลีกไว้เสมอใน
กรณีที่เกิดไม้ที่ตัดไว้ตกใส่ผู้ปฏิบัติงาน

⚠ ข้อควรระวัง: ห้ามตัดด้วยปลายแผ่นบังคับโซ่เด็ดขาด
ไม่เช่นนั้นอาจเกิดการติดกลับที่อันตรายและอาจทำให้ได้
รับบาดเจ็บ

ข้อสังเกต: ห้ามโยนหรือทำเครื่องมือตกหล่น

ข้อสังเกต: ห้ามให้มีสิ่งใดมาขวางหรือปิดช่องระบาย
อากาศของเครื่องมือ

ข้อสังเกต: อย่าฝืนใช้เครื่องมือ มิฉะนั้นอาจทำให้เครื่อง
มือเสียหายได้

ยืนบนพื้นที่มั่นคงและจับเครื่องมือให้ห่างจากกิ่งไม้ เพื่อให้
องศาของเครื่องมือทำมุมอยู่ที่ 60° หรือต่ำกว่ากับพื้นใน
แนวราบ

► **หมายเลข 32:** 1. 60° หรือต่ำกว่า

สตาร์ทเครื่องมือแล้วกดโซ่เลื่อยเข้ากับกิ่งไม้เบาๆ

ขณะที่ตัดกิ่งไม้ยาว เพื่อควบคุมตำแหน่งการตกของกิ่งไม้ที่
ตัดเสร็จ ให้แบ่งกิ่งไม้ออกเป็นท่อนๆ และตัดกิ่งไม้โดยเริ่ม
จากตรงปลายกิ่ง ระวังกิ่งไม้ที่ตกลงมาเนื่องจากอาจกระดอน
ในทิศทางที่ผู้ปฏิบัติงานยืนอยู่หลังจากที่ตกกระทบพื้น

► **หมายเลข 33**

เมื่อทำการตัดกิ่งไม้ขนาดใหญ่ ให้ทำการตัดส่วนล่างแบบต้น
ก่อน แล้วจากนั้นทำการตัดให้เสร็จสิ้นจากด้านบน

► **หมายเลข 34**

หากคุณพยายามตัดกิ่งไม้ขนาดใหญ่จากด้านล่าง กิ่งไม้อาจ
เข้ามาใกล้และบีบโซ่เลื่อยในการตัด หากคุณพยายามตัดกิ่ง
ไม้ขนาดใหญ่จากด้านบนโดยไม่ทำการตัดส่วนล่างแบบต้น
ก่อน กิ่งไม้อาจแตกเป็นเศษเล็กๆ

► **หมายเลข 35**

การยกเครื่องมือ

ก่อนเคลื่อนย้ายเครื่องมือ ให้ถอดด้ามแบตเตอรี่ออก
จากเครื่องมือ ใส่ฝาครอบแผ่นบังคับโซ่ และหัดท่อเสมอ
นอกจากนี้ ปิดด้ามแบตเตอรี่ด้วยฝาครอบแบตเตอรี่

► **หมายเลข 36:** 1. ฝาครอบแถบราง 2. ฝาครอบ
แบตเตอรี่

การใช้เครื่องมือที่มีชุดต้นกำลังแบบพกพา

อุปกรณ์เสริม

ใช้สายแขวนเมื่อคุณใช้เครื่องมือที่มีชุดต้นกำลังแบบพกพา

การติดตั้งสายแขวน

1. ติดตั้งขอกเกี่ยวของสายแขวนเข้ากับห่วงของสาย
สะพายไหล่หรือเข็มขัดคาดเอวตามที่แสดงในภาพ เลือกร
ประเภทของสายแขวนและวิธีการเชื่อมต่อที่เหมาะสม
สำหรับการใช้งานของคุณ

► **หมายเลข 37:** 1. ห่วง 2. ขอกเกี่ยว

► **หมายเลข 38:** 1. ห่วง 2. ขอกเกี่ยว

2. ติดตั้งขอกเกี่ยวเข้ากับเครื่องมือ

► **หมายเลข 39:** 1. ขอกเกี่ยว

การปลดเครื่องมือออก

ขณะที่วางเครื่องมือลง ให้ปลดล็อกหัวเข็มขัดบนสายแขวน
ด้วยมือข้างหนึ่ง และถือเครื่องมือไว้ด้วยมืออีกข้างหนึ่ง

► **หมายเลข 40:** 1. หัวเข็มขัด

หมายเหตุ: อาจไม่ได้มีหัวเข็มขัดมาให้ ทั้งนี้ขึ้นอยู่กับ
ประเภทของสาย

หากคุณจำเป็นต้องปล่อยเครื่องมืออย่างรวดเร็ว ให้ทำตาม
ขั้นตอนต่อไปนี้

1. กดที่ก้านบนหัวเข็มขัดของเข็มขัดคาดเอวเพื่อปลด
ล็อกหัวเข็มขัด

► **หมายเลข 41:** 1. หัวเข็มขัด 2. ก้าน

2. ถอดสายสะพายไหล่เพื่อปลดเครื่องมือและอุปกรณ์ลง

► **หมายเลข 42:** 1. สายสะพายไหล่

การบำรุงรักษา

⚠ ข้อควรระวัง: ตรวจสอบให้แน่ใจว่าได้ปิดสวิทช์เครื่องมือและถอดถลับแบตเตอรี่ออกก่อนทำการตรวจสอบหรือบำรุงรักษา

⚠ ข้อควรระวัง: สวมใส่ถุงมือเมื่อทำการตรวจเช็คหรือการซ่อมบำรุงอยู่เสมอ

ข้อสังเกต: อย่าใช้น้ำมันเชื้อเพลิง เบนซิน ทินเนอร์ แอลกอฮอล์ หรือวัสดุประเภทเดียวกัน เนื่องจากอาจทำให้สีซีดจาง เสียวรูป หรือแตกร้าวได้

เพื่อความปลอดภัยและนำเชื้อถือของผลิตภัณฑ์ ควรให้ศูนย์บริการหรือโรงงานที่ผ่านการรับรองจาก Makita เป็นผู้ดำเนินการซ่อมแซม บำรุงรักษาและทำการปรับตั้งอื่น ๆ นอกจากนี้ให้ใช้อะไหล่ของแท้จาก Makita เสมอ

การลับไข้เลื่อย

ลับไข้เลื่อยเมื่อ:

- ไข้เลื่อยที่เป็นผงเปิดขึ้นเมื่อตัดไม้ที่เปียกชื้น
- ไข้ตัดเนื้อไม้อย่างยากลำบาก แม้แต่การใช้แรงดันอย่างหนัก
- ขอบคมมีความเสียหายอย่างเห็นได้ชัด
- เลื่อยดึงไปทางซ้ายหรือทางขวาในเนื้อไม้ (เกิดจากการลับไข้เลื่อยที่ไม่สม่ำเสมอ หรือความเสียหายแก่ด้านใดด้านหนึ่งเท่านั้น)

ลับไข้เลื่อยเป็นประจำ แต่ลับเพียงเล็กน้อยในแต่ละครั้ง สองหรือสามจังหวะด้วยตะไบก็เพียงพอสำหรับการลับที่เป็นประจำ เมื่อทำการลับไข้เลื่อยใหม่อีกหลาย ครั้ง ให้ทำการลับเลื่อยในศูนย์บริการที่ผ่านการรับรองของเรา

เกณฑ์ในการลับ:

⚠ คำเตือน: ระยะเวลาห่างขอบตัดและเกจวัดความลึกที่มากเกินไปจะเพิ่มความเสี่ยงของการติดกลับ

- ▶ **หมายเลข 43:** 1. ความยาวของหัวตัด 2. ระยะห่างระหว่างเกจวัดความลึกและขอบตัด 3. ความยาวของหัวตัดอย่างต่ำ (3 mm)
- ความยาวของหัวตัดทั้งหมดต้องเท่ากัน ความยาวของหัวตัดที่ต่างกันจะทำให้ไข้วิ่งไม่ราบเรียบ และอาจทำให้ไข้เกิดแตกหัก
 - ห้ามลับไข้เมื่อความยาวของหัวตัดมีขนาด 3 mm หรือสั้นกว่า ควรเปลี่ยนไข้เส้นใหม่
 - ความหนาของเศษกึ่งถูกกำหนดโดยระยะห่างระหว่างเกจวัดความลึก (รอบปลาย) และขอบตัด

— ผลลัพธ์ในการตัดที่ดีที่สุดจะได้รับด้วยระยะห่างต่อไปนี้ระหว่างขอบตัดและเกจวัดความลึก

- ใบเลื่อยไข้ 90PX : 0.65 mm
- ใบเลื่อยไข้ 91PX : 0.65 mm

▶ **หมายเลข 44**

- มุมในการลับที่ 30° ต้องเท่ากันสำหรับหัวตัดทุกตัวของคานของหัวตัดที่แตกต่างกันทำให้ไข้วิ่งไม่ราบเรียบและไม่สม่ำเสมอ เป็นการเร่งการสึกหรอและนำไปสู่การแตกหักของไข้
- ใช้ตะไบแบบกลมที่เหมาะสมเพื่อให้มีมุมในการลับที่ถูกต้องต่อฟันเลื่อย
- ใบมีดไข้ 90PX : 55°
- ใบมีดไข้ 91PX : 55°

ตะไบและการใช้ตะไบ

- ใช้ตะไบกลมพิเศษ (อุปกรณ์สนับสนุนการทำงาน) สำหรับไข้เลื่อยเพื่อลับไข้ ตะไบกลมธรรมดาไม่เหมาะสำหรับการใช้งาน
 - เส้นผ่าศูนย์กลางของตะไบกลมสำหรับไข้มีดังต่อไปนี้:
 - ใบเลื่อยไข้ 90PX : 4.5 mm
 - ใบเลื่อยไข้ 91PX : 4.0 mm
 - ตะไบควรมีสอดคล้องกับหัวตัดในจังหวะไปข้างหน้าเท่านั้น ยกตะไบออกจากหัวตัดในจังหวะย้อนกลับ
 - ลับหัวตัดให้สั้นที่สุดในอันดับแรก จากนั้น ความยาวของหัวตัดที่สั้นที่สุดจะมีความรุนแรงสำหรับหัวตัดทุกหัวบนไข้เลื่อย
 - ใช้ตะไบตามที่แสดงไว้ในรูปภาพ
- ▶ **หมายเลข 45:** 1. ตะไบ 2. ไข้เลื่อย

— ตะไบสามารถใช้งานได้อย่างง่ายตายหากมีการใช้งานที่จับตะไบ (อุปกรณ์สนับสนุนการทำงาน) ที่จับตะไบมีเครื่องหมายสำหรับองศาการลับที่ถูกต้องที่ 30° (สอดคล้องกับเครื่องหมายที่ตรงกับไข้เลื่อย) และขีดจำกัดความลึกของการทิ่มแทง (4/5 ของเส้นผ่าศูนย์กลางตะไบ)

▶ **หมายเลข 46:** 1. ที่จับตะไบ

— หลังจากการลับไข้ ตรวจสอบความสูงของเกจวัดความลึกโดยใช้เครื่องมือเกจวัดไข้ (อุปกรณ์สนับสนุนการทำงาน)

▶ **หมายเลข 47**

- ขจัดวัสดุที่ยื่นออกมาต่างๆ ไม่ว่าจะมียุขขนาดเล็กด้วยตะไบแบนพิเศษ (อุปกรณ์สนับสนุนการทำงาน)
- ทำให้ด้านหน้าของเกจวัดความลึกเรียบอีกครั้ง

การทำความสะอาดแถบราง

เศษกึ่งและขี้เลื่อยจะก่อตัวขึ้นในร่องแถบราง ซึ่งอาจอุดตันร่องแถบและทำให้การไหลของน้ำมันบกพร่อง ทำความสะอาดเศษกึ่งและขี้เลื่อยทุกครั้งเมื่อมีการลับหรือเปลี่ยนโซ่เลื่อย

▶ หมายเลข 48

การทำความสะอาดฝาครอบสเตอร์

เศษกึ่งและขี้เลื่อยจะสะสมด้านในของฝาครอบสเตอร์ ถอดฝาครอบสเตอร์และโซ่เลื่อยออกจากเครื่องมือ จากนั้นทำความสะอาดเศษกึ่งและขี้เลื่อย

▶ หมายเลข 49

การทำความสะอาดรูจ่ายน้ำมัน

เศษผงหรืออนุภาคเล็กๆ อาจก่อตัวขึ้นในรูจ่ายน้ำมันระหว่างการใช้งาน เศษผงหรืออนุภาคเหล่านี้อาจทำให้การไหลของน้ำมันบกพร่อง และก่อให้เกิดการหล่อลื่นที่ไม่เพียงพอบนโซ่เลื่อยทั้งหมด เมื่อการจ่ายน้ำมันที่ไม่มีประสิทธิภาพของโซ่เกิดขึ้นบริเวณด้านบนแถบราง ให้ทำความสะอาดรูจ่ายน้ำมันดังนี้

1. ถอดฝาครอบสเตอร์และโซ่เลื่อยออกจากเครื่องมือ
2. เช็ยฝุ่นขนาดเล็กหรือเศษต่างๆ ออก โดยใช้ไขควงปากแบนหรือสิ่งที่มีลักษณะคล้ายคลึงกัน

▶ หมายเลข 50: 1. ไขควงหัวแบน 2. รูจ่ายน้ำมัน

3. ใส่ดัลล์แบตเตอรี่ลงไปในเครื่องมือ ดึงสวิตช์ทำงานเพื่อเป่าเศษผงหรืออนุภาคที่ก่อตัวขึ้นนอกจากรูจ่ายน้ำมันโดยจ่ายน้ำมันโซ่

4. ถอดดัลล์แบตเตอรี่ออกจากเครื่องมือ ติดตั้งฝาครอบสเตอร์และโซ่เลื่อยเข้าไปใหม่บนเครื่องมือ

การเปลี่ยนสเตอร์

⚠ ข้อควรระวัง: สเตอร์ที่สึกหรอจะทำให้โซ่เลื่อยใหม่ชำรุด ให้เปลี่ยนสเตอร์ในกรณีเช่นนี้

ก่อนการติดตั้งโซ่เลื่อยใหม่ ให้ตรวจสอบสภาพของเฟืองโซ่ หากสเตอร์สึกหรอหรือชำรุด โปรดสอบถามศูนย์บริการที่ได้รับบริการรับรองของ Makita เพื่อรับการเปลี่ยนใหม่

▶ หมายเลข 51: 1. สเตอร์ 2. พื้นที่สึกหรอ

การจัดเก็บเครื่องมือ

1. ทำความสะอาดเครื่องมือก่อนการจัดเก็บ นำเศษกึ่งและขี้เลื่อยออกจากเครื่องมือหลังการถอดฝาครอบสเตอร์
2. หลังจากการล้างเครื่องมือ เปิดเครื่องโดยไม่ต้องมีการโหลดเพื่อหล่อลื่นโซ่เลื่อยและแถบราง
3. ปิดแผ่นบังคับโซ่ด้วยฝาครอบแผ่นบังคับโซ่ จากนั้นจึงหัดท่อ
4. ทำให้ถึงน้ำมันว่างเปล่า

คำแนะนำสำหรับการซ่อมบำรุงตามระยะเวลา

สำหรับการตรวจสอบอายุการใช้งาน หลีกเลี่ยงความเสียหายและตรวจสอบให้มั่นใจว่ามีการปฏิบัติตามคุณสมบัติด้านความปลอดภัยและการซ่อมบำรุงอย่างเต็มที่เป็นประจำ การเรียก้องการรับประกันสินค้าสามารถได้รับการยอมรับหากมีการใช้งานเป็นปกติและเหมาะสมเท่านั้น ความผิดพลาดในการปฏิบัติงานซ่อมบำรุงที่กำหนดสามารถก่อให้เกิดอุบัติเหตุได้! ผู้ใช้เครื่องมือต้องไม่ปฏิบัติงานซ่อมบำรุงซึ่งไม่ได้ระบุในคู่มือการใช้งานเล่มนี้ ต้องมีการปฏิบัติงานดังกล่าวทั้งหมดโดยศูนย์ให้บริการที่ผ่านการรับรองของเรา

ตรวจสอบรายการ / ระยะเวลาในการใช้งาน		ก่อนใช้งาน	ทุกวัน	ทุกสัปดาห์	ทุกๆ 3 เดือน	ทุกปี	ก่อนการจัดเก็บ
เครื่องมือ ทั้งชิ้น	การตรวจเช็ค	✓	-	-	-	-	-
	การทำความสะอาด	-	✓	-	-	-	-
	ตรวจสอบที่ศูนย์ให้บริการที่ผ่านการรับรอง	-	-	-	-	✓	✓
โซ่เลื่อย	การตรวจเช็ค	✓	-	-	-	-	-
	การลับคมหากจำเป็น	-	-	-	-	-	✓
แถบราง	การตรวจเช็ค	✓	✓	-	-	-	-
	ถอดออกจากเครื่องมือ	-	-	-	-	-	✓
การหล่อลื่นโซ่	ตรวจสอบอัตราการจ่ายน้ำมัน	✓	-	-	-	-	-
สวิตช์สั่งงาน	การตรวจเช็ค	✓	-	-	-	-	-
ก้านปลดล๊อค	การตรวจเช็ค	✓	-	-	-	-	-
ฝาปิดถังน้ำมัน	ตรวจสอบความผิดปกติ	✓	-	-	-	-	-
สกรูและน็อต	การตรวจเช็ค	-	-	✓	-	-	-

การแก้ไขปัญหา

ก่อนนำไปซ่อม ให้ทำการตรวจสอบด้วยตัวเองก่อน หากพบปัญหาที่ไม่มีอธิบายในคู่มือการใช้งาน อย่าพยายามถอดแยกเครื่องมือ แต่ให้นำไปซ่อมที่ศูนย์บริการหรือโรงงานที่ผ่านการรับรองจาก Makita และใช้ชิ้นส่วนอะไหล่ของ Makita

สถานะการทำงานที่ผิดปกติ	สาเหตุ	การดำเนินการ
เครื่องมือไม่ทำงาน	ยังไม่ได้ติดตั้งตลับแบตเตอรี่	ติดตั้งตลับแบตเตอรี่ที่ชาร์จไฟแล้ว
	ปัญหาแบตเตอรี่ (แรงดันไฟฟ้าต่ำ)	นำตลับแบตเตอรี่ไปชาร์จอีกครั้ง หากการชาร์จแบตเตอรี่ใหม่ไม่ได้ผล ให้เปลี่ยนตลับแบตเตอรี่
	สวิตช์ไฟหลักถูกปิด	เครื่องมือจะปิดโดยอัตโนมัติ หากไม่มีการใช้งานภายในระยะเวลาหนึ่ง เปิดสวิตช์ไฟหลักอีกครั้ง
มอเตอร์หยุดทำงานหลังจากใช้งานไปได้เล็กน้อย	ระดับการชาร์จของแบตเตอรี่ต่ำ	นำตลับแบตเตอรี่ไปชาร์จอีกครั้ง หากการชาร์จแบตเตอรี่ใหม่ไม่ได้ผล ให้เปลี่ยนตลับแบตเตอรี่
ไม่มีน้ำมันอยู่บนโซ่	ถังน้ำมันว่างเปล่า	เติมลงในถังน้ำมัน
	ร่องน้ำมันสกปรก	ทำความสะอาดร่องน้ำมัน
เครื่องมือไม่ทำงานถึง RPM สูงสุด	ตลับแบตเตอรี่ติดตั้งอย่างไม่ถูกต้อง	ติดตั้งตลับแบตเตอรี่ตามที่อธิบายในคู่มือการใช้งานนี้
	กำลังของแบตเตอรี่ต่ำลง	ชาร์จตลับแบตเตอรี่ใหม่ หากการชาร์จแบตเตอรี่ใหม่ไม่ได้ผล ให้เปลี่ยนตลับแบตเตอรี่
	ระบบขับเคลื่อนไม่ทำงานอย่างถูกต้อง	สอบถามศูนย์บริการที่ผ่านการรับรองในพื้นที่ของคุณเพื่อทำการซ่อมแซม
สัญญาณไฟหลักจะกะพริบเป็นสีเขียว	สวิตช์สั่งงานถูกดึงภายใต้สภาพที่ไม่สามารถทำงานได้	ดึงสวิตช์สั่งงานหลังจากเปิดสวิตช์ไฟหลัก
การสั่นสะเทือนผิดปกติ หยุดเครื่องมือโดยทันที!	แถบรางหรือโซ่เลี้ยวหลวม	ปรับแรงตึงของแถบรางและโซ่เลี้ยว
	การทำงานผิดพลาดของเครื่องมือ	สอบถามศูนย์บริการที่ผ่านการรับรองในพื้นที่ของคุณเพื่อทำการซ่อมแซม
ไม่สามารถติดตั้งโซ่เลี้ยวได้	ส่วนประกอบของโซ่เลี้ยวและเฟืองโซ่ไม่ถูกต้อง	ใช้ส่วนประกอบของโซ่เลี้ยวและเฟืองโซ่ที่ถูกต้องโดยดูที่ส่วนข้อมูลจำเพาะ

อุปกรณ์เสริม

⚠ ข้อควรระวัง: ขอแนะนำให้ใช้เฉพาะอุปกรณ์เสริมหรืออุปกรณ์ต่อพ่วงเหล่านี้กับเครื่องมือ Makita ที่ระบุในคู่มือการใช้อุปกรณ์เสริมหรืออุปกรณ์ต่อพ่วงอื่นๆ อาจมีความเสี่ยงที่จะได้รับบาดเจ็บ ใช้อุปกรณ์เสริมหรืออุปกรณ์ต่อพ่วงตามวัตถุประสงค์ที่ระบุไว้เท่านั้น

หากต้องการทราบรายละเอียดเพิ่มเติมเกี่ยวกับอุปกรณ์เสริมเหล่านี้ โปรดสอบถามศูนย์บริการ Makita ใกล้บ้านคุณ

- โช้ล้อย
- แถบราง
- ฝาครอบแถบราง
- ตะไบ
- แบตเตอรี่และเครื่องชาร์จ Makita ของแท้

⚠ คำเตือน: หากคุณซื้อแผ่นบังคับโช้ที่มีความยาวต่างไปจากแผ่นบังคับโช้มาตรฐาน ให้ซื้อฝาครอบแผ่นบังคับโช้ที่เหมาะสมด้วย จะต้องใส่แผ่นบังคับโช้ได้พอดีและครอบแผ่นบังคับโช้ให้สนิทบนเครื่องมือ

หมายเหตุ: อุปกรณ์บางรายการอาจจะรวมอยู่ในชุดเครื่องมือเป็นอุปกรณ์มาตรฐาน ซึ่งอาจแตกต่างกันไปในแต่ละประเทศ

Makita Corporation
3-11-8, Sumiyoshi-cho,
Anjo, Aichi 446-8502 Japan
www.makita.com

885929-376
EN, ZHCN, ID, MS,
VI, TH
20210820