



VN	VIETNAM
----	---------

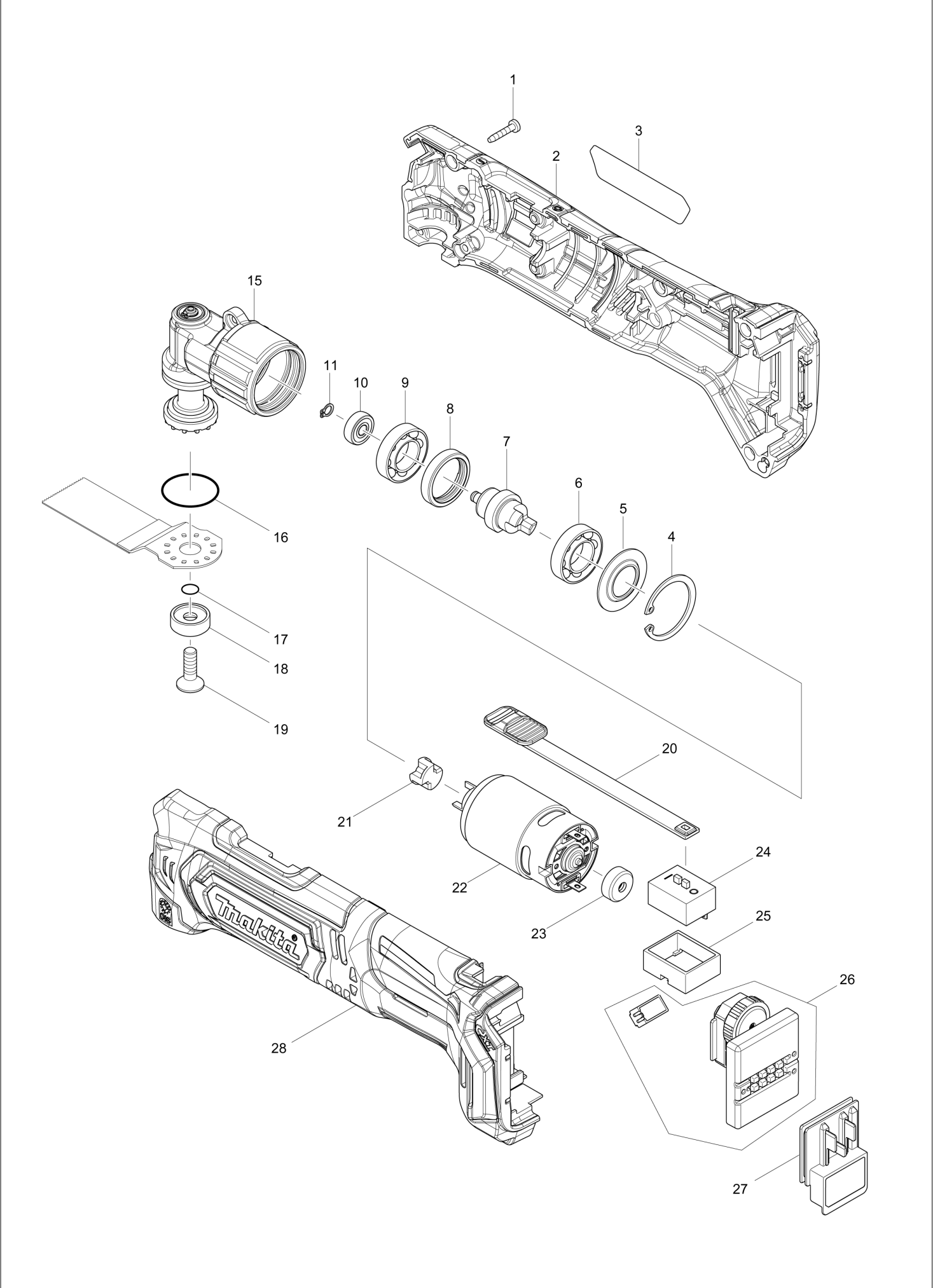
Diagram / Parts List

TM30D

CORDLESS MULTI TOOL



(VN) TM30D / CORDLESS MULTI TOOL



VN	VIETNAM
-----------	----------------

TM30D / CORDLESS MULTI TOOL

Item	Sub	Parts No.	Parts Description	Qty	I/C	E/C No.	Close No.	Remark
001		266429-2	TAPPING SCREW 3X16	12				
002		183E32-3	MOTOR HOUSING SET	1				
	C10	263039-6	RUBBER PIN 4	3				
	C20	424859-5	CUSHION	2				
	D10		INC. 28					
003		852E52-5	TM30D NAME PLATE	1			Y07746	
003-1		852E51-7	TM30D NAME PLATE	1	<	Y07746		
004		962151-6	RETAINING RING R-32	1				
005		253368-5	WASHER 16	1				
006		210147-4	BALL BEARING 6902	1				
007		326719-6	CRANK SHAFT	1				
008		456788-4	SPACER 21	1				
009		210147-4	BALL BEARING 6902	1				
010		210144-0	SPHERE BEARING 505	1				
011		961008-8	RETAINING RING S-5	1				
015		144085-7	CRANK HOUSING COMPLETE	1				
016		213987-9	O-RING 25	1				
017		213021-5	O RING 5	1			C5179	
018		224455-7	OUTER FLANGE 22	1			C5179	
019		266783-4	HEX.SOCKET C.S.H.SCREW M6X20	1			C5179	
019-1		265674-6	HEX. SOKCET HEAD BOLT M6X14	1	S	C5179		
020		456791-5	SWITCH KNOB	1				
021		424833-3	SPACER	1				
022		629220-3	DC MOTOR	1				
023		424467-2	CAP	1				
024		651610-2	SWITCH	1				
025		424860-0	SWITCH COVER	1				
026		620522-0	CONTROLLER	1				
	C10	620543-2	LED CIRCUIT	1				
027		644813-5	TERMINAL	1				
028		183E32-3	MOTOR HOUSING SET	1				
	C10	263039-6	RUBBER PIN 4	3				
	C20	424859-5	CUSHION	2				
	D10		INC. 2					
A01		783233-9	HEX. WRENCH 5	1				
A02B		143644-4	PLASTIC CASE COMPLETE	1				
	C10	162302-3	LATCH	2				
	C20	838502-4	INNER TRAY	1				
A02C		143644-4	PLASTIC CASE COMPLETE	1				
	C10	162302-3	LATCH	2				
A02D		143644-4	PLASTIC CASE COMPLETE	1				
	C10	162302-3	LATCH	2				
	C20	838502-4	INNER TRAY	1				
A02E		143644-4	PLASTIC CASE COMPLETE	1				
	C10	162302-3	LATCH	2				
	C20	838502-4	INNER TRAY	1				
A03B		456128-6	BATTERY COVER	1				
A03C		196272-4	ADAPTER A SET	1			C4114	
A03D		196272-4	ADAPTER A SET	1			C4114	
A03E		B-21353	PLUNGE CUT SAW BLADE 28 TMA009	1			C5794	
A03-1C		196271-6	ADAPTER A SET	1	<	C4114	C5794	
A03-1D		196271-6	ADAPTER A SET	1	<	C4114	C5794	
A03-1E		B-64814	STARLOCK CUTSAW 32 TMA047 BIM	1	O	C5794		
A04B		***DC10SB	DC10SB BATTERY CHARGER	1				
	D10		COMPO-PARTS					
A04C		B-21325	SEGMENT SAW BLADE 85 TMA006	1			C5794	
A04D		B-21325	SEGMENT SAW BLADE 85 TMA006	1			C5794	
A04E		B-21565	ABRASIVEPAPER DELTARED LONG60	1				
A04-1C		B-64799	STARLOCK SEGMENTSAW 85 TMA045	1	O	C5794		
A04-1D		B-64799	STARLOCK SEGMENTSAW 85 TMA045	1	O	C5794		
A05B		197393-5	BATTERY BL1016 SET	2				
A05C		B-21353	PLUNGE CUT SAW BLADE 28 TMA009	1			C5794	
A05D		B-21331	SEGMENT SAW BLADE 85 TMA007	1			C5794	
A05E		B-21593	ABRASIVEPAPER DELTARED LONG120	1				
A05-1C		B-64814	STARLOCK CUTSAW 32 TMA047 BIM	1	O	C5794		

B:TM30DSYE(H)
C:TM30DSYEX1(H)
D:TM30DSYEX3(H)
E:TM30DSYEX4(H)

Interchange
O : Yes
X : No
< : the new part can be substituted for the current.
> : the current part can be substituted for the new.
S : Interchangeable as a set.

