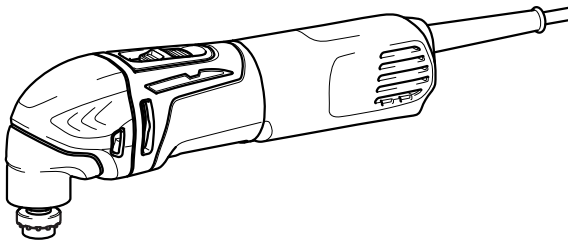




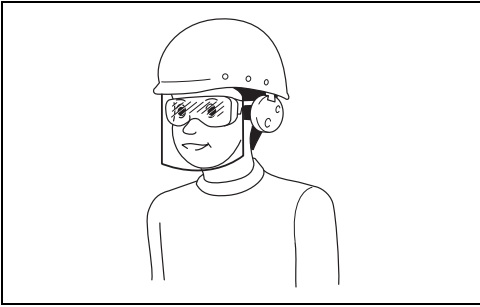
GB	Multi Tool	Instruction manual
ID	Mesin Multifungsi	Petunjuk penggunaan
VI	Máy Đa Năng Cầm Tay Hoạt Động Bằng Động Cơ Điện	Tài liệu hướng dẫn
TH	เครื่องมืออเนกประสงค์	คู่มือการใช้งาน

TM3000C



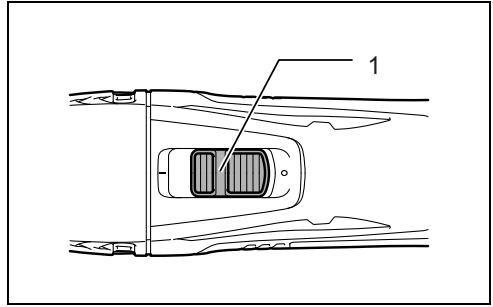
012849





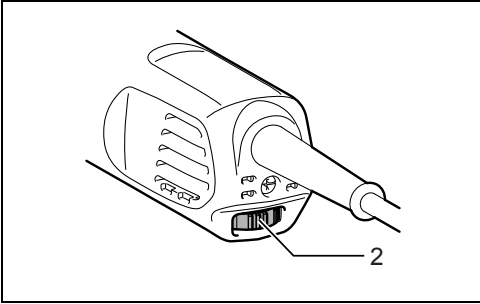
1

000114



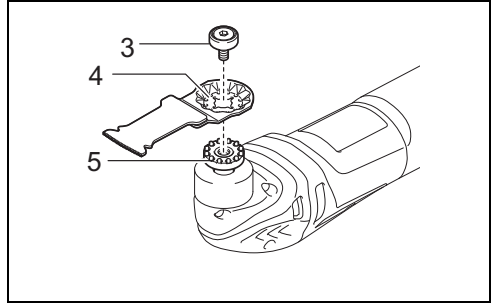
2

012768



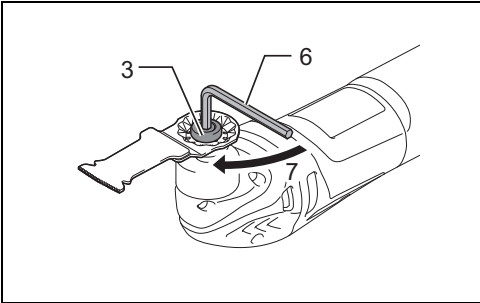
3

012852



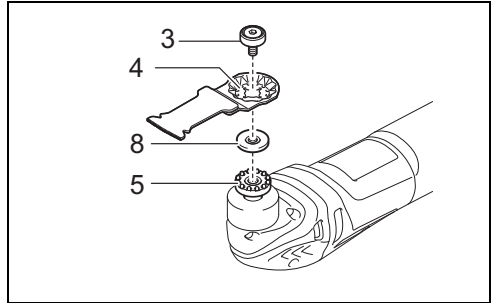
4

012888



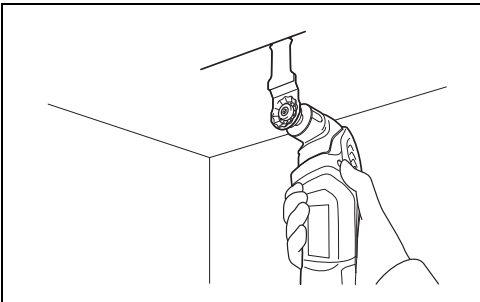
5

012851



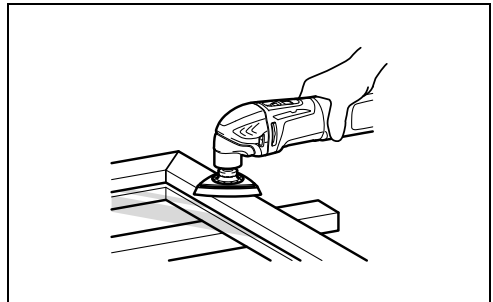
6

012850



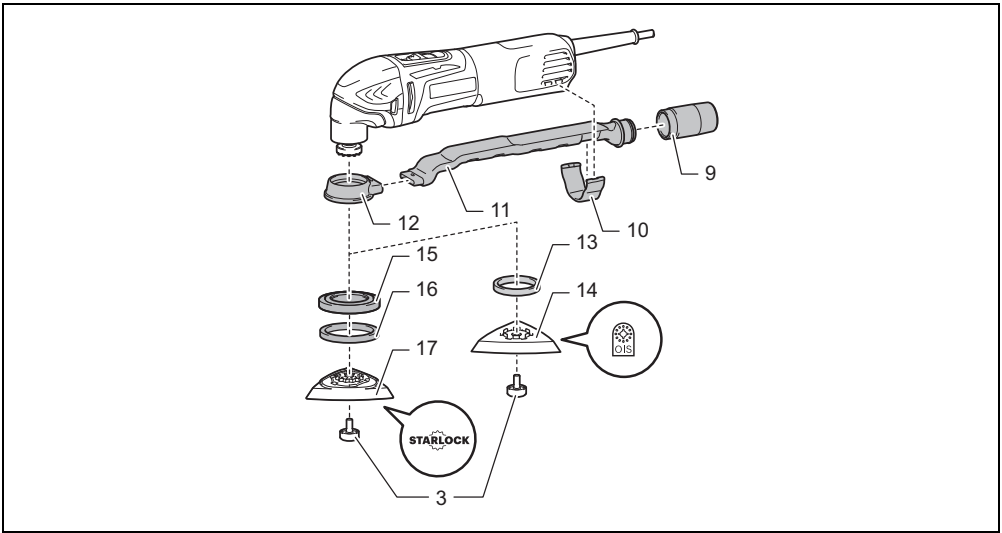
7

012889



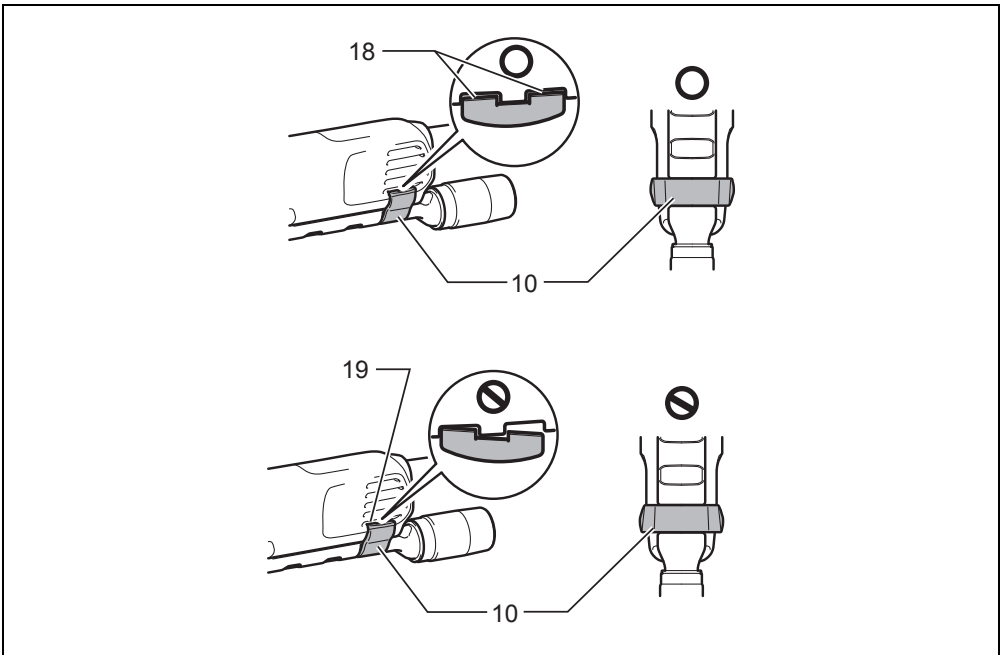
8

012853



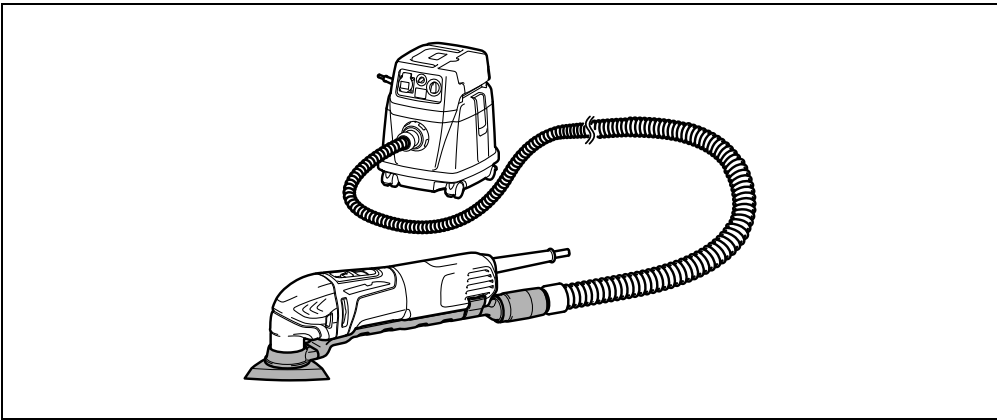
9

012854



10

013052



11

012855

ENGLISH (Original instructions)

Explanation of general view

- | | | |
|---------------------------------------|----------------------------|---------------------------------|
| 1. Slide switch | 8. Adapter | 15. Spacer |
| 2. Dial | 9. Joint | 16. Felt ring (ø 47 mm) |
| 3. Application tool installation bolt | 10. Nozzle band | 17. Pad (with STARLOCK marking) |
| 4. Holes in the application tool | 11. Dust nozzle | 18. Protrusions |
| 5. Protrusions of the tool flange | 12. Dust attachment | 19. Holes |
| 6. Hex wrench | 13. Felt ring (ø 37 mm) | |
| 7. Tighten | 14. Pad (with OIS marking) | |

SPECIFICATIONS

Model	TM3000C
Oscillation per minute	6,000 - 20,000 (min ⁻¹)
Oscillation angle, left/right	1.6° (3.2° total)
Overall length	275 mm
Net weight	1.4 - 1.5 kg
Safety class	□/II

- Due to our continuing program of research and development, the specifications herein are subject to change without notice.
- Specifications may differ from country to country.
- The weight may differ depending on the attachment(s). The lightest and heaviest combination, according to EPTA-Procedure 01/2014, are shown in the table.

Symbols

END202-9

The following show the symbols used for the equipment. Be sure that you understand their meaning before use.



..... Read instruction manual.



..... DOUBLE INSULATION



..... Wear safety glasses.

Intended use

ENE080-1

The tool is intended for sawing and cutting wood, plastic, gypsum, non-ferrous metals, and fastening elements (e. g. unhardened nails and staples). It is also intended for working soft wall tiles, as well as dry sanding and scraping of small surfaces. It is especially for working close to edge and flush cutting.

Power supply

ENF002-2

The tool should be connected only to a power supply of the same voltage as indicated on the nameplate, and can only be operated on single-phase AC supply. They are double-insulated and can, therefore, also be used from sockets without earth wire.

General power tool safety warnings

GEA012-2

⚠ WARNING: Read all safety warnings, instructions, illustrations and specifications provided with this power tool. Failure to follow all instructions listed below may result in electric shock, fire and/or serious injury.

Save all warnings and instructions for future reference.

The term "power tool" in the warnings refers to your mains-operated (corded) power tool or battery-operated (cordless) power tool.

Work area safety

1. **Keep work area clean and well lit.** Cluttered or dark areas invite accidents.
2. **Do not operate power tools in explosive atmospheres, such as in the presence of flammable liquids, gases or dust.** Power tools create sparks which may ignite the dust or fumes.
3. **Keep children and bystanders away while operating a power tool.** Distractions can cause you to lose control.

Electrical Safety

1. **Power tool plugs must match the outlet. Never modify the plug in any way. Do not use any adapter plugs with earthed (grounded) power tools.** Unmodified plugs and matching outlets will reduce risk of electric shock.
2. **Avoid body contact with earthed or grounded surfaces, such as pipes, radiators, ranges and refrigerators.** There is an increased risk of electric shock if your body is earthed or grounded.
3. **Do not expose power tools to rain or wet conditions.** Water entering a power tool will increase the risk of electric shock.
4. **Do not abuse the cord. Never use the cord for carrying, pulling or unplugging the power tool. Keep cord away from heat, oil, sharp edges or moving parts.** Damaged or entangled cords increase the risk of electric shock.
5. **When operating a power tool outdoors, use an extension cord suitable for outdoor use.** Use of a

cord suitable for outdoor use reduces the risk of electric shock.

6. **If operating a power tool in a damp location is unavoidable, use a residual current device (RCD) protected supply.** Use of an RCD reduces the risk of electric shock.
7. **Use of power supply via an RCD with a rated residual current of 30 mA or less is always recommended.**
8. **Power tools can produce electromagnetic fields (EMF) that are not harmful to the user.** However, users of pacemakers and other similar medical devices should contact the maker of their device and/or doctor for advice before operating this power tool.
9. **Do not touch the power plug with wet hands.**
10. **If the cord is damaged, have it replaced by the manufacturer or his agent in order to avoid a safety hazard.**

Personal Safety

1. **Stay alert, watch what you are doing and use common sense when operating a power tool. Do not use a power tool while you are tired or under the influence of drugs, alcohol or medication.** A moment of inattention while operating power tools may result in serious personal injury.
2. **Use personal protective equipment. Always wear eye protection.** Protective equipment such as a dust mask, non-skid safety shoes, hard hat or hearing protection used for appropriate conditions will reduce personal injuries.
3. **Prevent unintentional starting. Ensure the switch is in the off-position before connecting to power source and/or battery pack, picking up or carrying the tool.** Carrying power tools with your finger on the switch or energising power tools that have the switch on invites accidents.
4. **Remove any adjusting key or wrench before turning the power tool on.** A wrench or a key left attached to a rotating part of the power tool may result in personal injury.
5. **Do not overreach. Keep proper footing and balance at all times.** This enables better control of the power tool in unexpected situations.
6. **Dress properly. Do not wear loose clothing or jewellery. Keep your hair and clothing away from moving parts.** Loose clothes, jewellery or long hair can be caught in moving parts.
7. **If devices are provided for the connection of dust extraction and collection facilities, ensure these are connected and properly used.** Use of dust collection can reduce dust-related hazards.
8. **Do not let familiarity gained from frequent use of tools allow you to become complacent and ignore tool safety principles.** A careless action can cause severe injury within a fraction of a second.
9. **Always wear protective goggles to protect your eyes from injury when using power tools. The goggles must comply with ANSI Z87.1 in the USA, EN 166 in Europe, or AS/NZS 1336 in Australia/ New Zealand. In Australia/New Zealand, it is legally required to wear a face shield to protect your face, too. (Fig. 1)**
It is an employer's responsibility to enforce the use of appropriate safety protective equipments

by the tool operators and by other persons in the immediate working area.

Power tool use and care

1. **Do not force the power tool. Use the correct power tool for your application.** The correct power tool will do the job better and safer at the rate for which it was designed.
2. **Do not use the power tool if the switch does not turn it on and off.** Any power tool that cannot be controlled with the switch is dangerous and must be repaired.
3. **Disconnect the plug from the power source and/or remove the battery pack, if detachable, from the power tool before making any adjustments, changing accessories, or storing power tools.** Such preventive safety measures reduce the risk of starting the power tool accidentally.
4. **Store idle power tools out of the reach of children and do not allow persons unfamiliar with the power tool or these instructions to operate the power tool.** Power tools are dangerous in the hands of untrained users.
5. **Maintain power tools and accessories. Check for misalignment or binding of moving parts, breakage of parts and any other condition that may affect the power tool's operation. If damaged, have the power tool repaired before use.** Many accidents are caused by poorly maintained power tools.
6. **Keep cutting tools sharp and clean.** Properly maintained cutting tools with sharp cutting edges are less likely to bind and are easier to control.
7. **Use the power tool, accessories and tool bits etc. in accordance with these instructions, taking into account the working conditions and the work to be performed.** Use of the power tool for operations different from those intended could result in a hazardous situation.
8. **Keep handles and grasping surfaces dry, clean and free from oil and grease.** Slippery handles and grasping surfaces do not allow for safe handling and control of the tool in unexpected situations.
9. **When using the tool, do not wear cloth work gloves which may be entangled.** The entanglement of cloth work gloves in the moving parts may result in personal injury.

Service

1. **Have your power tool serviced by a qualified repair person using only identical replacement parts.** This will ensure that the safety of the power tool is maintained.
2. **Follow instruction for lubricating and changing accessories.**

MULTI TOOL SAFETY WARNINGS

GEB142-2

1. **This power tool is intended to function for sawing, cutting, grinding and sanding. Read all safety warnings, instructions, illustrations and specifications provided with this power tool.**


Failure to follow all instructions listed below may result in electric shock, fire and/or serious injury.

2. **Hold the power tool by insulated gripping surfaces, when performing an operation where the cutting accessory may contact hidden wiring or its own cord.** Cutting accessory contacting a "live" wire may make exposed metal parts of the power tool "live" and could give the operator an electric shock.
3. **Use clamps or another practical way to secure and support the workpiece to a stable platform.** Holding the work by hand or against your body leaves it unstable and may lead to loss of control.
4. **Position the cord clear of the spinning accessory.** If you lose control, the cord may be cut or snagged and your hand or arm may be pulled into the spinning accessory.
5. **Always use safety glasses or goggles. Ordinary eye or sun glasses are NOT safety glasses.**
6. **Avoid cutting nails. Inspect workpiece for any nails and remove them before operation.**
7. **Hold the tool firmly.**
8. **Make sure the application tool is not contacting the workpiece before the switch is turned on.**
9. **Keep hands away from moving parts.**
10. **Do not leave the tool running. Operate the tool only when hand-held.**
11. **Always switch off and wait for the blade to come to a complete stop before removing the blade from the workpiece.**
12. **Do not touch the application tool or the workpiece immediately after operation; they may be extremely hot and could burn your skin.**
13. **Do not operate the tool at no-load unnecessarily.**
14. **Always use the correct dust mask/respirator for the material and application you are working with.**
15. **Some material contains chemicals which may be toxic. Take caution to prevent dust inhalation and skin contact. Follow material supplier safety data.**
16. **This tool has not been waterproofed, so do not use water on the workpiece surface.**
17. **Ventilate your work area adequately when you perform sanding operations.**
18. **Use of this tool to sand some products, e.g. leaded paint surfaces, wood and metals could expose user and bystanders to dust containing hazardous substances. Use appropriate respiratory protection.**
19. **Be sure that there are no cracks or breakage on the pad before use. Cracks or breakage may cause a personal injury.**
20. **Do not use accessories which are not specifically designed and recommended by the tool manufacturer.** Just because the accessory can be attached to your power tool, it does not assure safe operation.
21. **Wear personal protective equipment. Depending on application, use face shield, safety goggles or safety glasses. As appropriate, wear hearing protectors, gloves and workshop apron capable of stopping small abrasive or workpiece fragments.** The eye protection must be capable of stopping flying debris generated by various operations. The dust


mask or respirator must be capable of filtering particles generated by your operation. Prolonged exposure to high intensity noise may cause hearing loss.

22. **Keep bystanders a safe distance away from work area. Anyone entering the work area must wear personal protective equipment.** Fragments of workpiece or of a broken accessory may fly away and cause injury beyond immediate area of operation.
23. **Never lay the power tool down until the accessory has come to a complete stop.** The spinning accessory may grab the surface and pull the power tool out of your control.
24. **Do not run the power tool while carrying it at your side.** Accidental contact with the accessory could snag your clothing, pulling the accessory into your body.
25. **Do not operate the power tool near flammable materials.** Sparks could ignite these materials.
26. **Do not use accessories that require liquid coolants.** Using water or other liquid coolants may result in electrocution or shock.
27. **Always be sure that the tool is switched off and unplugged before carrying out any work on the tool.**
28. **If working place is extremely hot and humid, or badly polluted by conductive dust, use a short-circuit breaker (30 mA) to assure operator safety.**
29. **Always be sure you have a firm footing. Be sure no one is below when using the tool in high locations.**
30. **Before starting operation, make sure that there is no hidden supply lines such as electric, gas and water lines under the working surface.** Cutting or damaging the supply lines may cause electric shock, gas leakage, property damage, or other accidents.

SAVE THESE INSTRUCTIONS.


 **WARNING:**
DO NOT let comfort or familiarity with product (gained from repeated use) replace strict adherence to safety rules for the subject product. MISUSE or failure to follow the safety rules stated in this instruction manual may cause serious personal injury.

FUNCTIONAL DESCRIPTION

 **WARNING:**

- Always be sure that the tool is switched off and unplugged before adjusting or checking function on the tool. Failure to switch off and unplug the tool may result in serious personal injury from accidental start-up.

Switch action (Fig. 2)

 **CAUTION:**

- Before plugging in the tool, always check to see that the tool is switched off.

To start the tool, slide the slide switch toward the "I (ON)" position.

To stop the tool, slide the slide switch toward the "O (OFF)" position.

Adjusting the orbital stroke rate (Fig. 3)

The orbital stroke rate is adjustable. To change the orbital stroke rate, turn the dial between 1 and 5. The higher the number is, the higher the orbital stroke rate is. Preset the dial to the number suitable for your workpiece.

NOTE:

- The dial cannot be turned directly from 1 to 5 or from 5 to 1. Forcing the dial may damage the tool. When changing the dial direction, always turn the dial moving it through each intermediate number.

Constant speed control

Electronic speed control for obtaining constant speed. Possible to get fine finish, because the orbital stroke rate is kept constant even under load condition.

ASSEMBLY

⚠ CAUTION:

- Always be sure that the tool is switched off and unplugged before carrying out any work on the tool.

Installing or removing application tool (optional accessory)

⚠ WARNING:

- Do not install application tool upside down. Installing application tool upside down may damage the tool and cause serious personal injury.
- Install attachment tool in the correct direction according to your work. Application tool can be installed at an angle of every 30 degree. (Fig. 4 & 5)

Put an application tool (optional accessory) on the tool flange so that the protrusions of the tool flange fit in the holes in the application tool and secure the application tool by tightening the bolt firmly with the hex wrench.

When using sanding application tool, mount the application tool on the sanding pad so that it matches the sanding pad direction.

The sanding pad has a hook and loop type fitting system which allows easy and rapid fitting of a sanding paper.

As sanding papers have holes for dust extraction, mount a sanding paper so that the holes in a sanding paper match those in the sanding pad.

To remove a sanding paper, raise its end and peel it off.

Loosen and remove the application tool installation bolt using a hex wrench and then take off the application tool. (Fig. 6)

When using application tools with a different type of installation section, use a correct adapter (optional accessory).

OPERATION

⚠ WARNING:

- Before starting the tool and during operation, keep your hand and face away from the application tool.

⚠ CAUTION:

- Do not apply excessive load to the tool which may cause a motor lock and stop the tool.

Cutting, sawing and scraping

⚠ CAUTION:

- Do not move on the tool forcibly in the direction (eg. towards either side) of tool application with no cutting edge. It may damage the tool. (Fig. 7)

Put the application tool on the workpiece.

And then move the tool forward so that the application tool movement does not slow down.

NOTE:

- Forcing or excessive pressure on the tool may reduce efficiency.
- Before cutting operation, it is recommended to preset the orbital stroke rate 3 - 5.

Sanding

⚠ CAUTION:

- Do not reuse a sanding paper used for sanding metal to sand wood.
- Do not use a worn sanding paper or sanding paper without grit. (Fig. 8)

Apply a sanding paper on the workpiece.

NOTE:

- Using a test material sample to try is recommendable to determine a correct orbital stroke rate suitable for your work.
- Use a sanding paper with the same grit until sanding the whole workpiece is completed. Replacing a sanding paper with different grit sanding paper may not get a fine finish.

Dust extraction attachment (optional accessory) (Fig. 9 & 10)

- Install joint, dust nozzle and dust attachment.
- Install the nozzle band on the tool so that its protrusions fit in the holes in the tool to secure it.
- Put the felt ring and the sanding pad on the dust attachment and then secure them with the application tool installation bolt. (Fig. 11)

When you wish to perform cleaner operation, connect a vacuum cleaner to your tool. Connect a hose of vacuum cleaner to the dust extraction attachment (optional accessory).

MAINTENANCE

⚠ CAUTION:

- Always be sure that the tool is switched off and unplugged before attempting to perform inspection or maintenance.
- Never use gasoline, benzene, thinner, alcohol or the like. Discoloration, deformation or cracks may result.

To maintain product SAFETY and RELIABILITY, repairs, carbon brush inspection and replacement, any other maintenance or adjustment should be performed by Makita Authorized Service Centers, always using Makita replacement parts.

OPTIONAL ACCESSORIES

⚠ CAUTION:

- These accessories or attachments are recommended for use with your Makita tool specified in this manual.

The use of any other accessories or attachments might present a risk of injury to persons. Only use accessory or attachment for its stated purpose.

If you need any assistance for more details regarding these accessories, ask your local Makita Service Center.

- Segment saw blade
- Round saw blade
- Plunge cut saw blade
- Scraper (rigid)
- Scraper (flexible)
- Serrated seg blade
- General joint cutter
- HM remover
- HM seg saw blade
- HM sanding plate
- Diamond seg sawblade
- Sanding pad
- Adapter
- Abrasive paper delta (red/white/black)
- Fleece delta (medium/coarse/without grit)
- Polishing felt delta
- Hex wrench
- Dust extraction attachment

NOTE:

- Some items in the list may be included in the tool package as standard accessories. They may differ from country to country.

BAHASA INDONESIA (Petunjuk Asli)

Penjelasan tampilan keseluruhan

- | | | |
|----------------------------------|----------------------------------|--------------------------------------|
| 1. Sakelar geser | 8. Adapter | 15. Pengatur jarak |
| 2. Tombol putar | 9. Sambungan | 16. Cincin kain (ø 47 mm) |
| 3. Baut pemasangan alat aplikasi | 10. Pengikat nozel | 17. Bantalan (dengan tanda STARLOCK) |
| 4. Lubang pada alat aplikasi | 11. Nozel debu | 18. Tonjolan |
| 5. Tonjolan flensa mesin | 12. Alat tambahan penghisap debu | 19. Lubang |
| 6. Kunci hex (segi enam) | 13. Cincin kain (ø 37 mm) | |
| 7. Kencangkan | 14. Bantalan (dengan tanda OIS) | |

SPESIFIKASI

Model	TM3000C
Osilasi per menit	6.000 - 20.000 (men ⁻¹)
Sudut osilasi, kiri/kanan	1,6° (3,2° total)
Panjang keseluruhan	275 mm
Berat bersih	1,4 - 1,5 kg
Kelas keamanan	□/II

- Karena kesinambungan program penelitian dan pengembangan kami, spesifikasi yang disebutkan di sini dapat berubah tanpa pemberitahuan.
- Spesifikasi dapat berbeda dari satu negara ke negara lainnya.
- Berat alat mungkin berbeda tergantung perangkat tambahan yang dipasang. Kombinasi alat terberat dan teringan, sesuai Prosedur EPTA 01/2014, ditunjukkan pada tabel.

Simbol-simbol

END202-9

Berikut ini adalah simbol-simbol yang digunakan pada alat ini. Pastikan Anda mengerti makna masing-masing simbol sebelum menggunakan alat ini.



..... Baca petunjuk penggunaan.



..... ISOLASI GANDA



..... Kenakan kacamata pengaman.

Maksud penggunaan

ENE080-1

Mesin ini dimaksudkan untuk menggergaji dan memotong kayu, plastik, gipsum, logam non-besi, dan elemen pengencang (mis. paku yang tidak dikeraskan dan staples). Mesin ini juga dimaksudkan untuk mengerjakan ubin dinding lunak, di samping mengampelas dan menyekrap permukaan kecil secara kering. Mesin ini terutama untuk bekerja di dekat tepian dan pemotongan rata.

Pasokan daya

ENF002-2

Alat harus terhubung dengan pasokan daya listrik yang bervoltase sama dengan yang tertera pada pelat nama, dan hanya dapat dijalankan dengan listrik AC fase tunggal. Alat ini diisolasi ganda dan oleh sebab itu dapat dihubungkan dengan soket tanpa arde.

Peringatan keselamatan umum mesin listrik

GEA012-2

 **PERINGATAN: Bacalah semua peringatan keselamatan, petunjuk, ilustrasi dan spesifikasi yang**

disertakan bersama mesin listrik ini. Kelalaian untuk mematuhi semua petunjuk yang tercantum di bawah ini dapat menyebabkan sengatan listrik, kebakaran dan/atau cedera serius.

Simpanlah semua peringatan dan petunjuk untuk acuan di masa depan.

Istilah "mesin listrik" dalam semua peringatan mengacu pada mesin listrik yang dijalankan dengan sumber listrik jala-jala (berkabel) atau baterai (tanpa kabel).

Keselamatan tempat kerja

1. **Jaga tempat kerja selalu bersih dan berpenerangan cukup.** Tempat kerja yang berantakan dan gelap mengundang kecelakaan.
2. **Jangan gunakan mesin listrik dalam lingkungan yang mudah meledak, misalnya jika ada cairan, gas, atau debu yang mudah menyala.** Mesin listrik menimbulkan bunga api yang dapat menyalakan debu atau uap tersebut.
3. **Jauhkan anak-anak dan orang lain saat menggunakan mesin listrik.** Bila perhatian terpecah, anda dapat kehilangan kendali.

Keamanan Kelistrikan

1. **Steker mesin listrik harus cocok dengan stopkontak. Jangan sekali-kali mengubah steker dengan cara apa pun. Jangan menggunakan steker adaptor dengan mesin listrik terbumi (dibumikan).** Steker yang tidak diubah dan stopkontak yang cocok akan mengurangi risiko sengatan listrik.
2. **Hindari sentuhan tubuh dengan permukaan terbumi atau yang dibumikan seperti pipa, radiator, kompor, dan kulkas.** Risiko sengatan listrik bertambah jika tubuh Anda terbumikan atau dibumikan.

3. **Jangan membiarkan mesin listrik kehujaan atau kebasahan.** Air yang masuk ke dalam mesin listrik akan meningkatkan risiko sengatan listrik.
4. **Jangan menyalahgunakan kabel. Jangan sekali-kali menggunakan kabel untuk membawa, menarik, atau mencabut mesin listrik dari stopkontak.** Jauhkan kabel dari panas, minyak, tepian tajam, atau bagian yang bergerak. Kabel yang rusak atau kusut memperbesar risiko sengatan listrik.
5. **Bila menggunakan mesin listrik di luar ruangan, gunakan kabel ekstensi yang sesuai untuk penggunaan di luar ruangan.** Penggunaan kabel yang sesuai untuk penggunaan luar ruangan mengurangi risiko sengatan listrik.
6. **Jika mengoperasikan mesin listrik di lokasi lembap tidak terhindarkan, gunakan pasokan daya yang dilindungi peranti imbasan arus (residual current device - RCD).** Penggunaan RCD mengurangi risiko sengatan listrik.
7. **Penggunaan pasokan daya melalui RCD dengan kapasitas arus sisa 30 mA atau kurang selalu dianjurkan.**
8. **Mesin listrik dapat menghasilkan medan magnet (EMF) yang tidak berbahaya bagi pengguna.** Namun, pengguna alat pacu jantung atau peralatan medis sejenisnya harus berkonsultasi dengan produsen peralatan tersebut dan/atau dokter mereka sebelum mengoperasikan mesin listrik ini.
9. **Jangan menyentuh colokan daya dengan tangan basah.**
10. **Jika kabel rusak, penggantian harus dilakukan oleh produsen atau agennya untuk menghindari bahaya keselamatan.**

Keselamatan Diri

1. **Jaga kewaspadaan, perhatikan pekerjaan Anda dan gunakan akal sehat bila menggunakan mesin listrik.** Jangan menggunakan mesin listrik saat Anda lelah atau di bawah pengaruh obat bius, alkohol, atau obat. Sekejap saja lalai saat menggunakan mesin listrik dapat menyebabkan cedera badan serius.
2. **Gunakan alat pelindung diri. Selalu gunakan pelindung mata.** Peralatan pelindung seperti masker debu, sepatu pengaman anti-selip, helm pengaman, atau pelindung telinga yang digunakan untuk kondisi yang sesuai akan mengurangi risiko cedera badan.
3. **Cegah penyalan yang tidak disengaja.** Pastikan bahwa sakelar berada dalam posisi mati (off) sebelum menghubungkan mesin ke sumber daya dan/atau paket baterai, atau mengangkat atau membawanya. Membawa mesin listrik dengan jari Anda pada sakelarnya atau mengalirkan listrik pada mesin listrik yang sakelarnya hidup (on) akan mengundang kecelakaan.
4. **Lepaskan kunci-kunci penyetel sebelum menghidupkan mesin listrik.** Kunci-kunci yang masih terpasang pada bagian mesin listrik yang berputar dapat menyebabkan cedera.
5. **Jangan meraih terlalu jauh. Jagalah pijakan dan keseimbangan sepanjang waktu.** Hal ini memungkinkan kendali yang lebih baik atas mesin listrik dalam situasi yang tidak diharapkan.
6. **Kenakan pakaian yang memadai. Jangan memakai pakaian yang longgar atau perhiasan. Jaga jarak**

- antara rambut dan pakaian Anda dengan komponen mesin yang bergerak.** Pakaian yang longgar, perhiasan, atau rambut yang panjang dapat tersangkut pada komponen yang bergerak.
7. **Jika tersedia fasilitas untuk menghisap dan mengumpulkan debu, pastikan fasilitas tersebut terhubung listrik dan digunakan dengan baik.** Penggunaan pembersih debu dapat mengurangi bahaya yang terkait dengan debu.
8. **Jangan sampai Anda lengah dan mengabaikan prinsip keselamatan mesin ini hanya karena sudah sering mengoperasikannya dan sudah merasa terbiasa.** Tindakan yang lalai dapat menyebabkan cedera berat dalam sepersekian detik saja.
9. **Selalu kenakan kacamata pelindung untuk melindungi mata dari cedera saat menggunakan mesin listrik.** Kacamata harus sesuai dengan ANSI Z87.1 di Amerika Serikat, EN 166 di Eropa, atau AS/NZS 1336 di Australia/Selandia Baru. Di Australia/Selandia Baru, secara hukum Anda juga diwajibkan mengenakan pelindung wajah untuk melindungi wajah Anda.(Gb. 1) Menjadi tanggung jawab atasan untuk menerapkan penggunaan alat pelindung keselamatan yang tepat bagi operator mesin dan orang lain yang berada di area kerja saat itu.

Penggunaan dan pemeliharaan mesin listrik

1. **Jangan memaksa mesin listrik. Gunakan mesin listrik yang tepat untuk keperluan Anda.** Mesin listrik yang tepat akan menuntaskan pekerjaan dengan lebih baik dan aman pada kecepatan sesuai rancangannya.
2. **Jangan gunakan mesin listrik jika sakelar tidak dapat menyalakan dan mematikannya.** Mesin listrik yang tidak dapat dikendalikan dengan sakelarnya adalah berbahaya dan harus diperbaiki.
3. **Cabut steker dari sumber listrik dan/atau lepas paket baterai, jika dapat dilepas, dari mesin listrik sebelum melakukan penyetelan apa pun, mengganti aksesori, atau menyimpin mesin listrik.** Langkah keselamatan preventif tersebut mengurangi risiko hidupnya mesin secara tak sengaja.
4. **Simpan mesin listrik jauh dari jangkauan anak-anak dan jangan biarkan orang yang tidak paham mengenai mesin listrik tersebut atau petunjuk ini menggunakan mesin listrik.** Mesin listrik sangat berbahaya di tangan pengguna yang tak terlatih.
5. **Rawatlah mesin listrik dan aksesori. Periksa apakah ada komponen bergerak yang tidak lurus atau macet, komponen yang pecah, dan kondisi-kondisi lain yang dapat memengaruhi pengoperasian mesin listrik. Jika rusak, perbaiki dahulu mesin listrik sebelum digunakan.** Banyak kecelakaan disebabkan oleh kurangnya pemeliharaan mesin listrik.
6. **Jaga agar mesin pemotong tetap tajam dan bersih.** Mesin pemotong yang terawat baik dengan mata pemotong yang tajam tidak mudah macet dan lebih mudah dikendalikan.
7. **Gunakan mesin listrik, aksesori, dan mata mesin, dll. sesuai dengan petunjuk ini, dengan memperhitungkan kondisi kerja dan jenis**

pekerjaan yang dilakukan. Penggunaan mesin listrik untuk penggunaan yang lain dari peruntukan dapat menimbulkan situasi berbahaya.

8. **Jagalah agar gagang dan permukaan pegangan tetap kering, bersih, dan bebas dari minyak dan pelumas.** Gagang dan permukaan pegangan yang licin tidak mendukung keamanan penanganan dan pengendalian mesin dalam situasi-situasi tak terduga.
9. **Ketika menggunakan mesin, jangan menggunakan sarung tangan kain yang dapat tersangkut.** Sarung tangan kain yang tersangkut pada komponen bergerak dapat mengakibatkan cedera pada pengguna.

Servis

1. **Berikan mesin listrik untuk diperbaiki hanya kepada oleh teknisi yang berkualifikasi dengan menggunakan hanya suku cadang pengganti yang serupa.** Hal ini akan menjamin terjaganya keamanan mesin listrik.
2. **Patuhi petunjuk pelumasan dan penggantian aksesoris.**

PERINGATAN KESELAMATAN MESIN MULTIFUNGSI

GEB142-2

1. **Mesin bertenaga listrik ini dimaksudkan untuk menggergaji, memotong, menggerinda, dan mengampelas.** Bacalah semua peringatan keselamatan, petunjuk, ilustrasi, dan spesifikasi yang disediakan bersama dengan mesin listrik ini. Kelalaian untuk mematuhi seluruh petunjuk di bawah ini dapat mengakibatkan sengatan listrik, kebakaran, dan/atau cedera serius.
2. **Pegang alat listrik pada permukaan genggam yang terisolasi bila dalam melakukan pekerjaan, aksesoris pemotong dapat menyentuh kawat tersembunyi atau kabelnya sendiri.** Aksesoris pemotong yang menyentuh kawat "hidup" dapat menyebabkan bagian logam yang terbuka pada mesin teraliri arus listrik dan menyengat pengguna.
3. **Gunakan klem atau cara praktis lain untuk mengamankan dan menyangga benda kerja pada platform/dudukan yang stabil.** Memegang benda kerja dengan tangan atau menahannya dengan tubuh akan membuatnya tidak stabil dan dapat mengakibatkan kehilangan kendali.
4. **Posisikan kabel agar jauh dari aksesoris yang berputar.** Jika hilang kendali, kabel dapat putus atau tersangkut dan tangan atau lengan Anda dapat tertarik ke aksesoris yang berputar tersebut.
5. **Selalu kenakan kacamata pengaman. Kacamata biasa atau kacamata hitam BUKANLAH kacamata pengaman.**
6. **Hindari memotong paku.** Periksa dan cabut paku dari benda kerja sebelum memotong.
7. **Pegang mesin dengan kuat.**
8. **Pastikan alat aplikasi tidak menyentuh benda kerja sebelum sakelar dihidupkan.**
9. **Jauhkan tangan dari bagian yang bergerak.**
10. **Jangan tinggalkan mesin dalam keadaan hidup.** Jalankan mesin hanya ketika digenggam tangan.

11. **Selalu matikan sakelar dan tunggu hingga bilah benar-benar berhenti sebelum melepas bilah dari benda kerja.**
12. **Jangan menyentuh alat aplikasi atau benda kerja segera setelah pengoperasian selesai; suhunya mungkin masih sangat panas dan dapat membakar kulit Anda.**
13. **Jangan menjalankan mesin dengan nol beban secara tidak perlu.**
14. **Selalu kenakan masker debu/respirator yang sesuai dengan bahan kerja dan sifat pekerjaan yang Anda lakukan.**
15. **Bahan tertentu mengandung zat kimia yang mungkin beracun.** Hindari menghirup debu dan persentuhan dengan kulit. Patuhi data keselamatan bahan dari pemasok.
16. **Mesin ini tidak dibuat tahan air, jadi jangan gunakan air pada permukaan benda kerja.**
17. **Beri ventilasi yang memadai pada tempat kerja Anda saat melakukan pekerjaan pengampelasan.**
18. **Penggunaan mesin ini untuk mengampelas beberapa produk misalnya permukaan, kayu, dan logam yang dicat dengan cat bertimbal dapat memaparkan pengguna dan orang di sekitarnya pada debu yang mengandung bahan berbahaya.** Gunakan alat pelindung pernapasan yang sesuai.
19. **Pastikan tidak ada retakan atau kerusakan pada bantalan sebelum menggunakan.** Keretakan atau kerusakan dapat menyebabkan cedera.
20. **Jangan menggunakan aksesoris yang tidak secara khusus dirancang dan direkomendasikan oleh pabrik pembuat mesin.** Hanya karena aksesoris bisa dipasang pada mesin listrik Anda, tidak berarti bahwa penggunaannya pasti aman.
21. **Kenakan alat pelindung diri. Tergantung pemakaian, gunakanlah pelindung wajah dan kacamata pengaman. Jika perlu, pakailah pelindung pendengaran, sarung tangan, dan apron kerja yang mampu menahan kepingan kecil bahan abrasif atau benda kerja.** Pelindung mata harus mampu menghentikan serpihan terbang yang dihasilkan oleh berbagai macam pekerjaan. Masker debu atau respirator harus mampu menyaring partikel yang dihasilkan dalam pekerjaan Anda. Kebisingan berintensitas tinggi yang lama dapat merusak pendengaran.
22. **Jaga agar orang lain berada pada jarak yang aman dari area kerja. Setiap orang yang masuk ke area kerja harus memakai alat pelindung diri.** Serpihan benda kerja atau aksesoris yang pecah dapat terlontar dan melukai orang di luar area kerja.
23. **Jangan sekali-kali meletakkan mesin listrik sebelum aksesoris berhenti sepenuhnya.** Aksesoris yang berputar dapat tersangkut pada permukaan dan menarik mesin listrik lepas dari kendali Anda.
24. **Jangan menyalakan mesin listrik saat membawanya di sisi tubuh Anda.** Kontak tak disengaja dengan aksesoris dapat menggulung pakaian Anda dan menarik aksesoris ke tubuh Anda.
25. **Jangan menggunakan mesin listrik di dekat bahan yang mudah menyala.** Bunga api dapat menyalakan bahan tersebut.

26. **Jangan gunakan aksesoris yang membutuhkan cairan pendingin.** Penggunaan air atau cairan pendingin lain dapat mengakibatkan sengatan listrik yang bisa mematikan.
27. **Selalu pastikan mesin sudah dimatikan dan stekernya dicabut sebelum melakukan pekerjaan apa pun pada mesin.**
28. **Jika tempat kerja sangat panas dan lembab, atau tercemar berat oleh debu penghantar, gunakan pemutus arus hubung-singkat (30 mA) untuk memastikan keselamatan pengguna.**
29. **Selalu pastikan Anda berdiri di atas alas yang kuat. Pastikan tidak ada orang di bawahnya bila Anda menggunakan mesin di tempat tinggi.**
30. **Sebelum memulai penggunaan, pastikan tidak ada jalur suplai tersembunyi seperti listrik, gas, dan saluran air di bawah permukaan area kerja.** Memotong atau merusak jalur suplai dapat menyebabkan sengatan listrik, kebocoran gas, kerusakan properti, atau kecelakaan lainnya.

SIMPAN PETUNJUK INI.

PERINGATAN:

JANGAN biarkan kenyamanan atau terbiasanya Anda dengan produk (karena penggunaan berulang) menggantikan kepatuhan yang ketat terhadap aturan keselamatan untuk produk yang terkait. **PENYALAHGUNAAN** atau kelalaian mematuhi kaidah keselamatan yang tertera dalam petunjuk penggunaan ini dapat menyebabkan cedera badan serius.

DESKRIPSI FUNGSI

PERINGATAN:

- **Selalu pastikan mesin sudah dimatikan dan stekernya dicabut sebelum menyetel atau memeriksa fungsi mesin.** Kelalaian untuk mematikan sakelar dan mencabut steker mesin dapat mengakibatkan cedera serius akibat terhidupkannya mesin secara tidak disengaja.

Gerakan sakelar (Gb. 2)

PERHATIAN:

- **Sebelum menancapkan steker mesin, selalu periksa bahwa sakelar mesin dalam posisi mati.** Untuk menghidupkan mesin, geser sakelar ke posisi "I (ON)". Untuk mematikan mesin, geser sakelar ke posisi "O (OFF)".

Menyetel kecepatan langkah orbital (melengkung) (Gb. 3)

Kecepatan langkah orbital dapat diatur. Untuk mengubah kecepatan langkah orbital, putar tombol putar antara 1 dan 5. Semakin tinggi angka yang dipilih, semakin tinggi kecepatan langkah orbital mesin. Setel dahulu tombol putar ke angka yang sesuai untuk benda kerja Anda.

CATATAN:

- Tombol putar tidak dapat diputar langsung dari 1 ke 5 atau dari 5 ke 1. Memaksa tombol putar dapat merusak

mesin. Saat mengubah arah tombol putar, selalu putar tombol dengan melalui setiap angka tengah.

Pengendalian kecepatan konstan

Pengendali kecepatan elektronik untuk mendapatkan kecepatan konstan. Dapat memperoleh hasil akhir yang halus, karena kecepatan langkah orbital terjaga konstan, meskipun dalam kondisi di bawah beban.

PERAKITAN

PERHATIAN:

- **Selalu pastikan mesin sudah dimatikan dan stekernya dicabut sebelum melakukan pekerjaan apa pun pada mesin.**

Memasang atau melepaskan alat aplikasi (aksesori tambahan)

PERINGATAN:

- **Jangan memasang alat aplikasi secara terbalik dengan bagian bawahnya di atas.** Memasang alat aplikasi secara terbalik demikian dapat merusak mesin dan menyebabkan cedera serius.
- **Pasang alat tambahan dalam arah yang benar sesuai dengan pekerjaan Anda.** Alat aplikasi dapat dipasang pada sudut setiap 30 derajat. **(Gb. 4 & 5)**

Pasang alat aplikasi (aksesori tambahan) pada flensa mesin sehingga tonjolan pada flensa mesin terpasang pas dalam lubang alat aplikasi dan kencangkan alat aplikasi dengan mengencangkan bautnya kuat-kuat dengan kunci hex.

Bila menggunakan alat aplikasi pengampelas, pasang alat aplikasi pada bantalan ampelas sehingga sesuai dengan arah bantalan ampelas.

Bantalan ampelas memiliki sistem pemasangan jenis kait-lup (seperti pada kain rekat) yang memungkinkan pemasangan kertas ampelas dengan mudah dan cepat. Karena kertas ampelas memiliki lubang-lubang untuk pembuangan debu, pasang kertas ampelas dengan mencocokkan lubang-lubang itu dengan lubang-lubang pada bantalan ampelas.

Untuk melepas kertas ampelas, angkat ujungnya dan kelupas.

Kendurkan dan lepaskan baut pemasangan alat aplikasi menggunakan kunci hex dan kemudian lepaskan alat aplikasi. **(Gb. 6)**

Bila menggunakan alat aplikasi dengan bagian pemasangan jenis lain, gunakan adapter yang sesuai (aksesori tambahan).

PENGOPERASIAN

PERINGATAN:

- **Sebelum menghidupkan mesin dan selama mengoperasikan, jauhkan tangan dan wajah Anda dari alat aplikasi.**

PERHATIAN:

- **Jangan memberikan beban yang berlebihan pada mesin, yang dapat menyebabkan penguncian motor dan mematikan mesin.**

Memotong, menggergaji, dan menyekrap

PERHATIAN:

- Jangan menggerakkan mesin secara paksa ke arah (mis. ke arah salah satu sisi) aplikasi mesin yang tidak memiliki mata pemotong. Tindakan demikian dapat merusak mesin ini. **(Gb. 7)**

Tempelkan alat aplikasi pada benda kerja.

Dan kemudian gerakkan mesin ke depan sehingga gerakan alat aplikasi tidak melambat.

CATATAN:

- Paksaan atau tekanan berlebihan pada mesin dapat mengurangi efisiensi.
- Sebelum melakukan pemotongan, dianjurkan untuk lebih dulu menyeting kecepatan langkah orbital ke 3 - 5.

Pengampelasan

PERHATIAN:

- Jangan menggunakan kembali kertas ampelas yang sudah dipakai mengampelas logam untuk mengampelas kayu.
- Jangan gunakan kertas ampelas yang aus atau kertas ampelas tanpa grit. **(Gb. 8)**

Aplikasikan kertas ampelas pada benda kerja.

CATATAN:

- Menggunakan contoh bahan uji untuk mencoba dianjurkan untuk menentukan kecepatan langkah orbital yang sesuai untuk pekerjaan Anda.
- Gunakan kertas ampelas dengan grit yang sama untuk mengampelas keseluruhan benda kerja. Mengganti kertas ampelas dengan grit yang berbeda dapat memberikan hasil yang kurang bagus.

Alat tambahan penghisap debu (aksesori tambahan) (Gb. 9 & 10)

- Pasang sambungan, nozel debu, dan alat tambahan penghisap debu.
- Pasang pengikat nozel pada mesin sehingga tonjolannya pas dengan lubang-lubang pada mesin untuk mengencangkannya.
- Pasang cincin kain dan bantalan ampelas pada alat tambahan penghisap debu, lalu kencangkan dengan baut pemasangan alat aplikasi. **(Gb. 11)**

Bila Anda ingin melakukan pekerjaan secara lebih bersih, hubungkan mesin pembersih vakum ke mesin Anda. Hubungkan slang mesin pembersih vakum ke alat tambahan penghisap debu (aksesori tambahan).

PERAWATAN

PERHATIAN:

- Selalu pastikan mesin sudah dimatikan dan stekernya dicabut sebelum melakukan pemeriksaan atau perawatan.
- Jangan sekali-kali menggunakan bensin, tiner, alkohol, atau bahan sejenisnya. Penggunaan bahan demikian dapat menyebabkan perubahan warna dan bentuk serta timbulnya retakan.

Untuk menjaga KEAMANAN dan KEHANDALAN produk, perbaikan, pemeriksaan dan penggantian borstel arang, perawatan atau penyetingan lainnya harus dilakukan oleh Pusat Servis Resmi Makita dan gunakan selalu suku cadang Makita.

AKSESORI TAMBAHAN

PERHATIAN:

- Aksesori atau alat tambahan ini dianjurkan untuk digunakan dengan alat Makita milik Anda yang disebutkan dalam buku petunjuk ini. Penggunaan aksesori atau alat tambahan lain dapat menimbulkan risiko cedera pada orang. Gunakan aksesori atau alat tambahan sesuai kegunaannya.

Jika Anda membutuhkan bantuan perihal informasi lebih terperinci mengenai aksesori-aksesori ini, tanyakan kepada Pusat Servis Makita setempat.

- Bilah gergaji segmen
- Bilah gergaji bundar
- Bilah gergaji pemotongan benam
- Pengerok/sekrup (kaku)
- Pengerok/sekrup (fleksibel)
- Bilah seg bergerigi
- Pemotong sambungan umum
- Pembuang HM (Logam Keras)
- Bilah gergaji seg HM (Logam Keras)
- Pelat ampelas HM (Logam Keras)
- Bilah gergaji seg intan
- Bantalan ampelas
- Adapter
- Delta kertas abrasif (merah/putih/hitam)
- Delta bulu (medium/kasar/tanpa grit)
- Delta kain pemoles
- Kunci hex (segi enam)
- Alat tambahan penghisap debu

CATATAN:

- Beberapa artikel dalam daftar dapat disertakan dalam kemasan mesin sebagai aksesori standar. Kelengkapan ini dapat berbeda dari satu negara ke negara lainnya.

TIẾNG VIỆT (Hướng dẫn Gốc)

Giải thích về hình vẽ tổng thể

- | | | |
|-------------------------------------|------------------------|--------------------------------------|
| 1. Công tắc trượt | 7. Siết chặt | 14. Miếng đệm (có đánh dấu OIS) |
| 2. Đồng hồ. | 8. Bộ đổi nguồn | 15. Đế chặn |
| 3. Bu lông lắp đặt dụng cụ ứng dụng | 9. Khớp nối | 16. Đai phốt (ø 47 mm) |
| 4. Các lỗ trong dụng cụ ứng dụng | 10. Đai vôi phun | 17. Miếng đệm (có đánh dấu STARLOCK) |
| 5. Chốt lồi ra của mặt bích dụng cụ | 11. Ống phun mặt cửa | 18. Phần lồi ra |
| 6. Cờ lê sáu cạnh | 12. Bộ phận chứa bụi | 19. Các lỗ |
| | 13. Đai phốt (ø 37 mm) | |

THÔNG SỐ KỸ THUẬT

Kiểu máy	TM3000C
Số dao động trên phút	6.000 – 20.000 (phút ⁻¹)
Góc dao động, trái/phải	1,6° (3,2° tổng cộng)
Tổng chiều dài	275 mm
Trọng lượng tịnh	1,4 - 1,5 kg
Cấp an toàn	□/II

- Do chương trình nghiên cứu và phát triển liên tục của chúng tôi nên các thông số kỹ thuật dưới đây có thể thay đổi mà không cần thông báo.
- Các thông số kỹ thuật ở mỗi quốc gia có thể khác nhau.
- Khối lượng máy có thể khác nhau tùy thuộc vào (các) phụ kiện. Tổ hợp nhẹ nhất và nặng nhất, theo Quy trình EPTA 01/2014, được trình bày trong bảng.

Ký hiệu ENED202-9

Phần dưới đây cho biết các ký hiệu được dùng cho thiết bị. Đảm bảo rằng bạn hiểu ý nghĩa của các ký hiệu này trước khi sử dụng.



..... Đọc tài liệu hướng dẫn.



..... CÁCH ĐIỆN KÉP



..... Đeo kính an toàn.

Mục đích sử dụng ENED80-1

Dụng cụ này được dùng để cưa và xẻ gỗ, nhựa, thạch cao, các loại kim loại màu, và siết chặt các bộ phận (như đinh và ghim chưa tời). Nó cũng được dùng để lát tường mềm, đồng thời đánh bóng khô và nạo các bề mặt nhỏ. Đặc biệt nó được dùng để nối gờ và mặt cắt bằng phẳng.

Nguồn cấp điện ENEF002-2

Dụng cụ này chỉ được nối với nguồn cấp điện có điện áp giống như đã chỉ ra trên biển tên và chỉ có thể được vận hành trên nguồn cung cấp AC một pha. Thiết bị được cách điện kép và do đó cũng có thể được sử dụng từ các ổ cắm mà không cần dây tiếp đất.

Cảnh báo an toàn chung dành cho dụng cụ máy

GEA012-2

⚠ CẢNH BÁO: Xin đọc tất cả các cảnh báo an toàn, hướng dẫn, minh họa và thông số kỹ thuật đi kèm với dụng cụ máy này. Việc không tuân theo các

hướng dẫn được liệt kê dưới đây có thể dẫn đến điện giật, hỏa hoạn và/hoặc thương tích nghiêm trọng.

Lưu giữ tất cả cảnh báo và hướng dẫn để tham khảo sau này.

Thuật ngữ “dụng cụ máy” trong các cảnh báo để cập đến dụng cụ máy (có dây) được vận hành bằng nguồn điện chính hoặc dụng cụ máy (không dây) được vận hành bằng pin của bạn.

An toàn tại nơi làm việc

- Giữ nơi làm việc sạch sẽ và gọn gàng.** Nơi làm việc bừa bộn hoặc toái tởm dễ gây ra tai nạn.
- Không vận hành dụng cụ máy trong môi trường cháy nổ, ví dụ như môi trường có sự hiện diện của các chất lỏng, khí hoặc bụi dễ cháy.** Các dụng cụ máy tạo tia lửa điện có thể làm bụi hoặc khí bốc cháy.
- Giữ trẻ em và người ngoài tránh xa nơi làm việc khi đang vận hành dụng cụ máy.** Sự xao lãng có thể khiến bạn mất khả năng kiểm soát.

An toàn về Điện

- Phích cắm của dụng cụ máy phải khớp với ổ cắm. Không được sửa đổi phích cắm theo bất kỳ cách nào. Không sử dụng bất kỳ phích chuyển đổi nào với các dụng cụ máy được nối đất (tiếp đất).** Các phích cắm còn nguyên vẹn và ổ cắm phù hợp sẽ giảm nguy cơ điện giật.
- Tránh để cơ thể tiếp xúc với các bề mặt nối đất hoặc tiếp đất như đường ống, bộ tản nhiệt, bếp ga và tủ lạnh.** Nguy cơ bị điện giật sẽ tăng lên nếu cơ thể bạn được nối đất hoặc tiếp đất.

3. **Không để dụng cụ máy tiếp xúc với mưa hoặc trong điều kiện ẩm ướt.** Nước lọt vào dụng cụ máy sẽ làm tăng nguy cơ điện giật.
4. **Không lạm dụng dây điện. Không được phép sử dụng dây để mang, kéo hoặc tháo phích cắm dụng cụ máy. Giữ dây tránh xa nguồn nhiệt, dầu, các mép sắc hoặc các bộ phận động chuyển động.** Dây bị hỏng hoặc bị rối sẽ làm tăng nguy cơ điện giật.
5. **Khi vận hành dụng cụ máy ngoài trời, hãy sử dụng dây kéo dài phù hợp cho việc sử dụng ngoài trời.** Việc dùng dây phù hợp cho việc sử dụng ngoài trời sẽ giảm nguy cơ điện giật.
6. **Nếu bắt buộc phải vận hành dụng cụ máy ở nơi ẩm ướt, hãy sử dụng nguồn cấp điện được bảo vệ bằng thiết bị ngắt dòng điện rò (RCD).** Việc sử dụng RCD sẽ làm giảm nguy cơ điện giật.
7. **Chúng tôi luôn khuyến bạn sử dụng nguồn cấp điện qua thiết bị RCD có thể ngắt dòng điện rò định mức 30 mA hoặc thấp hơn.**
8. **Các dụng cụ máy có thể tạo ra từ trường điện (EMF) có hại cho người dùng.** Tuy nhiên, người dùng máy trợ tim và những thiết bị y tế tương tự khác nên liên hệ với nhà sản xuất thiết bị và/hoặc bác sỹ để được tư vấn trước khi vận hành dụng cụ này.
9. **Không chạm vào đầu cắm điện bằng tay ướt.**
10. **Nếu dây bị hỏng, hãy nhờ nhà sản xuất hoặc đại lý thay dây mới để tránh nguy hiểm về an toàn.**

An toàn Cá nhân

1. **Luôn tỉnh táo, quan sát những việc bạn đang làm và sử dụng những phán đoán theo kinh nghiệm khi vận hành dụng cụ máy. Không sử dụng dụng cụ máy khi bạn đang mệt mỏi hoặc chịu ảnh hưởng của ma túy, rượu hay thuốc.** Chỉ một khoảnh khắc không tập trung khi đang vận hành dụng cụ máy cũng có thể dẫn đến thương tích cá nhân nghiêm trọng.
2. **Sử dụng thiết bị bảo hộ cá nhân. Luôn đeo thiết bị bảo vệ mắt.** Các thiết bị bảo hộ như mặt nạ chống bụi, giày an toàn chống trượt, mũ bảo hộ hay thiết bị bảo vệ thính giác được sử dụng trong các điều kiện thích hợp sẽ giúp giảm thương tích cá nhân.
3. **Tránh khởi động vô tình dụng cụ máy. Đảm bảo công tắc ở vị trí off (tắt) trước khi nối nguồn điện và/hoặc bộ pin, cắm hoặc di chuyển dụng cụ máy.** Việc di chuyển dụng cụ máy khi đang đặt ngón tay ở vị trí công tắc hoặc cấp điện cho dụng cụ máy đang bật thường dễ gây ra tai nạn.
4. **Tháo tất cả các khóa hoặc cờ lê điều chỉnh trước khi bật dụng cụ máy.** Việc cờ lê hoặc khóa vẫn còn gắn vào bộ phận quay của dụng cụ máy có thể dẫn đến thương tích cá nhân.
5. **Không với quá cao. Luôn giữ thăng bằng tốt và có chỗ để chân phù hợp.** Điều này cho phép điều khiển dụng cụ máy tốt hơn trong những tình huống bất ngờ.
6. **Ăn mặc phù hợp. Không mặc quần áo rộng hay đeo đồ trang sức. Giữ tóc và quần áo tránh xa các bộ phận chuyển động.** Quần áo rộng, đồ trang sức hay tóc dài có thể mắc vào các bộ phận chuyển động.

7. **Nếu các thiết bị được cung cấp để kết nối các thiết bị thu gom và hút bụi, hãy đảm bảo chúng được kết nối và sử dụng hợp lý.** Việc sử dụng thiết bị thu gom bụi có thể làm giảm những mối nguy hiểm liên quan đến bụi.
8. **Không vi phạm quy định thường xuyên sử dụng các dụng cụ mà cho phép bạn trở nên tự mãn và bỏ qua các nguyên tắc an toàn dụng cụ.** Một hành động bất cẩn có thể gây ra thương tích nghiêm trọng trong một phần của một giây.
9. **Luôn luôn mang kính bảo hộ để bảo vệ mắt khỏi bị thương khi đang sử dụng các dụng cụ máy. Kính bảo hộ phải tuân thủ ANSI Z87.1 ở Mỹ, EN 166 ở Châu Âu, hoặc AS/NZS 1336 ở Úc/New Zealand. Tại Úc/New Zealand, theo luật pháp, bạn cũng phải mang mặt nạ che mặt để bảo vệ mắt. (Hình 1)**
Trách nhiệm của chủ lao động là bắt buộc người vận hành dụng cụ và những người khác trong khu vực làm việc cạnh đó phải sử dụng các thiết bị bảo hộ an toàn thích hợp.

Sử dụng và bảo quản dụng cụ máy

1. **Không dùng lực đối với dụng cụ máy. Sử dụng đúng dụng cụ máy cho công việc của bạn.** Sử dụng đúng dụng cụ máy sẽ giúp thực hiện công việc tốt hơn và an toàn hơn theo giá trị định mức được thiết kế của dụng cụ máy đó.
2. **Không sử dụng dụng cụ máy nếu công tắc không bật và tắt được dụng cụ máy đó.** Mọi dụng cụ máy không thể điều khiển được bằng công tắc đều rất nguy hiểm và phải được sửa chữa.
3. **Rút phích cắm ra khỏi nguồn điện và/hoặc tháo kết nối bộ pin khỏi dụng cụ máy, nếu có thể tháo rời trước khi thực hiện bất kỳ công việc điều chỉnh, thay đổi phụ tùng hay cần giữ dụng cụ máy nào.** Những biện pháp an toàn phòng ngừa này sẽ giảm nguy cơ vô tình khởi động dụng cụ máy.
4. **Cất giữ các dụng cụ máy không sử dụng ngoài tầm với của trẻ em và không cho bất kỳ người nào không có hiểu biết về dụng cụ máy hoặc các hướng dẫn này vận hành dụng cụ máy.** Dụng cụ máy sẽ rất nguy hiểm nếu được sử dụng bởi những người dùng chưa qua đào tạo.
5. **Bảo dưỡng dụng cụ máy và các phụ kiện. Kiểm tra tình trạng lệch trục hoặc bó kẹt của các bộ phận chuyển động, hiện tượng nứt vỡ của các bộ phận và mọi tình trạng khác mà có thể ảnh hưởng đến hoạt động của dụng cụ máy. Nếu có hỏng hóc, hãy sửa chữa dụng cụ máy trước khi sử dụng.** Nhiều tai nạn xảy ra là do không bảo quản tốt dụng cụ máy.
6. **Luôn giữ cho dụng cụ cắt được sắc bén và sạch sẽ.** Những dụng cụ cắt được bảo quản tốt có mép cắt sắc sẽ ít bị kẹt hơn và dễ điều khiển hơn.
7. **Sử dụng dụng cụ máy, phụ tùng và đầu dụng cụ cắt, v.v... theo các hướng dẫn này, có tính đến điều kiện làm việc và công việc được thực hiện.** Việc sử dụng dụng cụ máy cho các công việc khác với công việc dự định có thể gây nguy hiểm.
8. **Giữ tay cầm và bề mặt tay cầm khô, sạch, không dính dầu và mỡ.** Tay cầm trơn trượt và bề mặt tay cầm không cho phép xử lý an toàn và kiểm soát dụng cụ trong các tình huống bất ngờ.

9. Khi sử dụng dụng cụ, không được đi găng tay lao động bằng vải, có thể bị vướng. Việc găng tay lao động bằng vải vướng vào các bộ phận chuyển động có thể gây ra thương tích cá nhân.

Bảo dưỡng

1. Để nhân viên sửa chữa đủ trình độ bảo dưỡng dụng cụ máy của bạn và chỉ sử dụng các bộ phận thay thế đồng nhất. Việc này sẽ đảm bảo duy trì được độ an toàn của dụng cụ máy.
2. Tuân theo hướng dẫn dành cho việc bôi trơn và thay phụ tùng.

CÁC CẢNH BÁO AN TOÀN CỦA DỤNG CỤ ĐA NĂNG

GEB142-2

1. Dụng cụ máy này được sử dụng như máy cưa, cắt, mài và máy đánh bóng. Đọc tất cả các cảnh báo an toàn, hướng dẫn, minh họa và thông số kỹ thuật được cung cấp cùng với dụng cụ máy này. Việc không tuân theo tất cả các hướng dẫn được liệt kê dưới đây có thể dẫn đến điện giật, hỏa hoạn và/hoặc thương tích nghiêm trọng.
2. Cầm dụng cụ máy ở phần tay nắm được cách điện khi thực hiện công việc mà phụ tùng cắt có thể tiếp xúc với dây dẫn kín hoặc dây của chính dụng cụ. Phụ tùng cắt tiếp xúc với dây dẫn "có điện" có thể làm các bộ phận kim loại trần của dụng cụ điện "tiếp điện" và có thể làm người vận hành bị điện giật.
3. Dùng kẹp hoặc làm theo cách khác để giữ chặt và đỡ phôi gia công vào bề vững chắc. Giữ phôi gia công bằng tay hoặc tựa vào cơ thể sẽ làm phôi không chắc chắn và có thể dẫn đến mất kiểm soát.
4. Đặt dây cách xa phụ tùng đang quay. Nếu bạn mất khả năng kiểm soát, dây có thể bị cắt hoặc bị vướng vào và bàn tay và cánh tay bạn có thể bị kéo vào phụ tùng đang quay.
5. Luôn sử dụng kính bảo hộ hoặc kính an toàn. Kính mắt thông thường hay kính râm KHÔNG phải là kính an toàn.
6. Tránh cắt đinh. Kiểm tra phôi xem có đinh không và tháo đinh trước khi vận hành.
7. Cầm chắc dụng cụ.
8. Đảm bảo rằng dụng cụ ứng dụng không tiếp xúc với phôi gia công trước khi bắt công tác.
9. Giữ tay tránh xa các bộ phận chuyển động.
10. Không để mặc dụng cụ hoạt động. Chỉ vận hành dụng cụ khi cầm trên tay.
11. Luôn tắt nguồn và đợi lưới của dừng hẳn trước khi tháo lưới của ra khỏi phôi.
12. Không chạm ngay vào lưới của hoặc phôi sau khi vận hành; chúng có thể cực nóng và có thể làm bỏng da.
13. Không vận hành dụng cụ ở chế độ không tải nếu không cần thiết.
14. Luôn sử dụng đúng mặt nạ chống bụi/bình thở khi làm việc với vật liệu và ứng dụng của mình.
15. Một số vật liệu có thể chứa hoá chất độc. Hãy cẩn thận để tránh hít phải bụi và tiếp xúc với da. Tuân theo dữ liệu an toàn của nhà cung cấp vật liệu.
16. Dụng cụ này không được chống thấm nước, vì vậy không sử dụng nước trên bề mặt phôi gia công.
17. Hãy thông gió đủ cho chỗ làm việc của bạn khi bạn tiến hành hoạt động đánh bóng.
18. Sử dụng dụng cụ này để đánh bóng một số sản phẩm, ví dụ như các bề mặt sơn được mạ chì, gỗ, các loại kim loại có thể khiến cho người sử dụng và người ngoài phơi nhiễm bụi chứa các chất độc hại. Sử dụng thiết bị bảo vệ hô hấp thích hợp.
19. Đảm bảo là không có vết rạn nứt hoặc gãy trên miếng lót trước khi sử dụng. Các vết nứt hoặc gãy có thể gây ra thương tích cá nhân.
20. Không sử dụng các phụ tùng không được thiết kế riêng và không được nhà sản xuất dụng cụ khuyến dùng. Phụ tùng có thể được lắp vào dụng cụ máy của bạn nhưng lại không đảm bảo vận hành an toàn.
21. Đeo thiết bị bảo hộ cá nhân. Tùy vào công việc, hãy sử dụng mặt nạ, kính bảo hộ hoặc kính an toàn. Khi cần, hãy đeo thiết bị bảo vệ tai, găng tay và tấm chắn bảo vệ có khả năng ngăn các mảnh vụn phôi hoặc bột mài nhỏ. Thiết bị bảo vệ mắt phải có khả năng ngăn mảnh vụn bay do các hoạt động khác nhau tạo ra. Mặt nạ chống bụi hoặc mặt nạ phòng độc phải có khả năng lọc các hạt do hoạt động tạo ra. Tiếp xúc lâu với tiếng ồn cường độ cao có thể gây ra mất khả năng nghe.
22. Giữ những người ngoài tránh xa khu vực làm việc ở khoảng an toàn. Bất kỳ ai vào khu vực làm việc đều phải đeo thiết bị bảo vệ cá nhân. Mảnh vụn phôi hoặc phụ tùng bị vỡ có thể bay xa và gây thương tích bên ngoài khu vực vận hành.
23. Không đặt dụng cụ máy xuống đến khi phụ tùng đã dừng hoàn toàn. Phụ tùng đang quay có thể bám vào bề mặt và kéo dụng cụ máy ra khỏi tầm điều khiển của bạn.
24. Không chạy dụng cụ máy khi bạn đang cầm ở một phía. Việc tiếp xúc bất ngờ có thể khiến phụ tùng vướng vào quần áo và bị kéo về phía bạn.
25. Không vận hành dụng cụ máy gần các vật liệu dễ cháy. Tia lửa điện có thể làm cháy những vật liệu này.
26. Không sử dụng phụ tùng cần chất làm mát dạng lỏng. Sử dụng nước hoặc các chất làm mát dạng lỏng khác có thể gây ra điện giật.
27. Luôn đảm bảo rằng dụng cụ đã được tắt và rút phích cắm trước khi tiến hành bất kỳ công việc nào trên dụng cụ.
28. Nếu nơi làm việc rất nóng và ẩm hoặc bị nhiễm bụi tích điện nặng, hãy sử dụng thiết bị ngắt mạch (30 mA) để đảm bảo vận hành an toàn.
29. Luôn đảm bảo bạn có chỗ đặt chân vững chắc. Đảm bảo rằng không có ai ở bên dưới khi sử dụng dụng cụ ở trên cao.
30. Trước khi bắt đầu vận hành, hãy bảo đảm rằng không có các đường dây cung cấp ẩn như dây điện, ống dẫn khí và dòng nước bên dưới bề mặt gia công. Cắt hay làm hỏng các đường dây cung cấp có thể gây điện giật, rò rỉ gas, thiệt hại về tài sản hoặc các tai nạn khác.

LƯU GIỮ CÁC HƯỚNG DẪN NÀY.

⚠ CẢNH BÁO:

KHÔNG được để sự thoải mái hay quen thuộc với sản phẩm (có được do sử dụng nhiều lần) thay thế việc tuân thủ nghiêm ngặt các quy định về an toàn dành cho sản phẩm này. **VIỆC DÙNG SAI** hoặc không tuân theo các quy định về an toàn được nêu trong tài liệu hướng dẫn này có thể dẫn đến thương tích cá nhân nghiêm trọng.

MÔ TẢ CHỨC NĂNG

⚠ CẢNH BÁO:

- Luôn chắc chắn rằng dụng cụ này tắt và tháo phích cắm trước khi điều chỉnh hoặc kiểm tra chức năng trên dụng cụ. Không tắt và rút phích cắm dụng cụ có thể dẫn đến thương tích cá nhân nghiêm trọng do khởi động bất ngờ.

Hoạt động của công tắc (Hình 2)

⚠ THẬN TRỌNG:

- Trước khi cắm điện, luôn kiểm tra xem đã tắt dụng cụ hay chưa.

Để khởi động dụng cụ, trượt công tắc trượt về vị trí "I (ON)" (BẬT).

Để dừng dụng cụ, trượt công tắc về vị trí "O (OFF)" (TẮT).

Điều chỉnh tốc độ quay (Hình 3)

Tốc độ quay này có thể điều chỉnh được. Để thay đổi tốc độ quay, quay đồng hồ giữa 1 và 5. Số càng cao, tỷ lệ quay càng cao. Quay lại đồng hồ tới số phù hợp với phôi.

CHÚ Ý:

- Đồng hồ không thể quay trực tiếp từ 1 tới 5. Có quay đồng hồ có thể làm hỏng dụng cụ. Khi thay đổi hướng của đồng hồ, luôn luôn quay đồng hồ đi qua mỗi số trung gian.

Điều khiển tốc độ cố định

Kiểm soát tốc độ điện tử để đạt được tốc độ bất biến. Có thể gia công tinh vi tốc độ quay bất biến ngay cả khi chịu tải.

QUÁ TRÌNH LẮP RÁP

⚠ THẬN TRỌNG:

- Luôn đảm bảo rằng dụng cụ đã được tắt và rút phích cắm trước khi tiến hành bất kỳ công việc nào trên dụng cụ.

Lắp hoặc tháo dụng cụ ứng dụng (phụ tùng tùy chọn)

⚠ CẢNH BÁO:

- Không lắp ngược dụng cụ. Lắp ngược dụng cụ ứng dụng có thể làm hỏng dụng cụ và gây ra các thương tích cá nhân nghiêm trọng.
- Lắp dụng cụ gắn đúng hướng theo công việc của bạn. Dụng cụ ứng dụng có thể được một góc 30 độ. (Hình 4 & 5)

Để dụng cụ ứng dụng (phụ tùng tùy chọn) trên mặt bích dụng cụ nhằm để chổ lỗi ra của mặt khớp với các

lỗ trong dụng cụ ứng dụng và cố định dụng cụ ứng dụng bằng cách vận chặt bu lông bằng cờ lê sáu cạnh. Khi sử dụng dụng cụ ứng dụng đánh bóng, gắn dụng cụ ứng dụng lên miếng lót đánh bóng để nó trùng khớp với hướng của miếng lót đánh bóng đó.

Miếng lót đánh bóng có móc và hệ thống khớp loại vành cho phép khớp giấy đánh bóng nhanh chóng và dễ dàng.

Khi các loại giấy đánh bóng có lỗ để hút bụi, hãy gắn giấy đánh bóng để các lỗ trong giấy đánh bóng khớp với các lỗ ở miếng lót đánh bóng.

Để bỏ giấy đánh bóng, nâng nó lên và nhấc ra.

Nới lỏng và tháo bu lông lắp dụng cụ, sử dụng cờ lê

sáu cạnh và sau đó tháo dụng cụ ứng dụng. (Hình 6)

Khi sử dụng các dụng cụ ứng dụng với bất cứ loại bộ phận lắp nào, hãy sử dụng đúng bộ đổi nguồn (phụ tùng tùy chọn).

VẬN HÀNH

⚠ CẢNH BÁO:

- Trước khi khởi động dụng cụ và trong suốt quá trình vận hành, tay và mặt phải tránh dụng cụ ứng dụng.

⚠ THẬN TRỌNG:

- Không làm cho dụng cụ quá tải vì có thể làm cho động cơ khóa và ngừng dụng cụ.

Cắt, cưa, và nạo

⚠ THẬN TRỌNG:

- Không di chuyển cưỡng bức dụng cụ theo hướng đưa dụng cụ (ví dụ: về một trong hai phía) mà không có cạnh cắt. Dụng cụ có thể bị hỏng. (Hình 7)

Đặt dụng cụ ứng dụng trên phôi.

Và sau đó di chuyển dụng cụ về phía trước để sự di chuyển của dụng cụ ứng dụng không chậm lại.

CHÚ Ý:

- Cưỡng bức hoặc áp suất quá mức lên dụng cụ có thể làm giảm hiệu quả.
- Trước khi cắt, nên đặt lại tốc độ quay từ 3 – 5.

Đánh bóng

⚠ THẬN TRỌNG:

- Không sử dụng lại giấy đánh bóng đã được dùng cho kim loại đánh bóng để đánh bóng gỗ.
- Không sử dụng giấy đánh bóng đã mòn hoặc giấy đánh bóng không có đá mịn. (Hình 8)

Áp dụng giấy đánh bóng lên phôi.

CHÚ Ý:

- Sử dụng mẫu nguyên liệu thử để xác định đúng tốc độ quay phù hợp với công việc của bạn.
- Sử dụng giấy đánh bóng có đá mịn tương tự cho đến khi hoàn thành đánh bóng toàn bộ phôi. Thay giấy đánh bóng bằng giấy đánh bóng đá mịn khác không thể có được gia công tinh.

Bộ phận hút bụi (phụ tùng tùy chọn) (Hình 9 & 10)

- Lắp khớp nối, ống phun mặt cưa và bộ phận giữ bụi.
- Lắp đai với phun lên dụng cụ này để phân lỗi ra khớp với các lỗ trong dụng cụ để cố định nó.

- Để đai phốt và miếng lót đánh bóng lên bộ phận giữ bụi và sau đó cố định chúng bằng bu lông lắp đặt dụng cụ ứng dụng. **(Hình 11)**

Khi bạn muốn thực hiện hoạt động làm sạch, hãy nối máy hút bụi với dụng cụ của bạn. Nối ống hút của máy hút bụi vào phần hút bụi (phụ tùng tùy chọn).

BẢO DƯỠNG

THẬN TRỌNG:

- Luôn đảm bảo tắt dụng cụ và rút phích cắm trước khi cố gắng thực hiện kiểm tra hoặc bảo dưỡng.
- Không bao giờ dùng xăng, ét xăng, dung môi, cồn hoặc hóa chất tương tự. Có thể xảy ra hiện tượng mất màu, biến dạng hoặc nứt vỡ.

Để duy trì ĐỘ AN TOÀN và ĐỘ TIN CẬY của sản phẩm, việc sửa chữa, kiểm tra và thay chổi than cũng như mọi bảo dưỡng hoặc điều chỉnh khác đều phải do Trung tâm Bảo trì Được uỷ quyền của Makita thực hiện, luôn sử dụng các bộ phận thay thế của Makita.

PHỤ KIỆN TÙY CHỌN

THẬN TRỌNG:

- Các phụ tùng hoặc phụ kiện này được khuyến nghị sử dụng với dụng cụ Makita của bạn được chỉ định trong tài liệu này. Việc sử dụng bất kỳ phụ tùng hoặc phụ kiện nào khác có thể dẫn đến rủi ro thương tích cho con người. Chỉ sử dụng phụ tùng hoặc phụ kiện với mục đích được nêu.

Nếu bạn cần bất kỳ sự hỗ trợ nào để biết thêm chi tiết về các phụ tùng này, hãy hỏi Trung tâm Bảo trì Makita tại địa phương của bạn.

- Lưỡi cưa phân khúc
- Lưỡi cưa tròn
- Lưỡi cưa cắt nghiêng
- Mũi nạo (cứng)
- Mũi nạo (linh hoạt)
- Lưỡi phân khúc dạng răng cưa
- Máy cắt nối chung
- Dụng cụ tháo HM
- Lưỡi cưa phân khúc HM
- Đĩa đánh bóng HM
- Lưỡi cưa phân khúc dạng hình thoi
- Miếng lót đánh bóng
- Bộ đổi nguồn
- Màu giấy mài mòn (đỏ/trắng/đen)
- Độ phủ (trung bình/kém/không có đá mặt)
- Đánh bóng vùng phốt
- Cờ lê sáu cạnh
- Phần hút bụi

CHÚ Ý:

- Một số mục trong danh sách có thể được bao gồm trong gói dụng cụ làm các phụ kiện chuẩn. Các mục này ở mỗi quốc gia có thể khác nhau.

คำอธิบายของมุมมองทั่วไป

- | | | |
|---|----------------------------|---|
| 1. สวิตช์เลื่อน | 7. ขันให้แน่น | 14. แผ่นรอง (ที่มีเครื่องหมาย OIS) |
| 2. ปุ่มหมุน | 8. อแดปเตอร์ | 15. แหวนรอง |
| 3. สลักเกลียวสำหรับติดตั้งเครื่องมือ | 9. ข้อต่อ | 16. แหวนล็อกลาด (Ø 47 มม.) |
| 4. รูในเครื่องมือ | 10. แถบหัวฉีด | 17. แผ่นรอง (ที่มีเครื่องหมาย STARLOCK) |
| 5. ส่วนที่ยื่นออกมาที่หน้าแปลนของเครื่องมือ | 11. หัวฉีดกำจัดฝุ่น | 18. ส่วนที่ยื่นออกมา |
| 6. ประแจหกเหลี่ยม | 12. ตัวดักฝุ่น | 19. รู |
| | 13. แหวนล็อกลาด (Ø 37 มม.) | |

ข้อมูลทางเทคนิค


รุ่น	TM3000C
การสันต่อนาที	6,000 - 20,000 (นาที ⁻¹)
มุมการสัน, ซ้าย/ขวา	1.6° (3.2° รวมทั้งหมด)
ความยาวทั้งหมด	275 มม.
น้ำหนักสุทธิ	1.4 - 1.5 กก
ระดับความปลอดภัย	□/


- เนื่องจากมีการวิจัยและการพัฒนาของเราเป็นแผนงานต่อเนื่อง ดังนั้นข้อมูลเทคนิคที่ระบุในเอกสารนี้อาจมีการเปลี่ยนแปลงโดยไม่ต้องแจ้งให้ทราบล่วงหน้า
- ข้อมูลเทคนิคอาจแตกต่างกันในแต่ละประเทศ
- น้ำหนักอาจแตกต่างกันไปตามอุปกรณ์เสริม การติดอุปกรณ์เสริมที่เบาที่สุดและหนักที่สุดตามข้อบังคับของ EPTA 01/2014 มีแสดงอยู่ในตาราง

สัญลักษณ์

END202-9

ต่อไปนี้เป็นสัญลักษณ์ที่ใช้สำหรับอุปกรณ์ โปรดศึกษาความหมายของสัญลักษณ์ให้เข้าใจก่อนการใช้งาน

 อ่านคู่มือการใช้งาน

 ฉนวนหุ้มสองชั้น

 สวมแว่นตานิรภัย

วัตถุประสงค์การใช้งาน

ENE080-1

เครื่องมือนี้ออกแบบมาเพื่อใช้เลื่อยและตัดไม้, พลาสติก, อีพซิม, โลหะที่ไม่ใช่เหล็ก และตัวยึด (เช่น ตะปูที่ไม่ได้อบแข็งและลวดเย็บ) และยังใช้สำหรับการทำงานกับแผ่นกระเบื้องผนังแบบอ่อน และการขัดแบบแห้งและการขูดพื้นผิวขนาดเล็ก และเหมาะเป็นอย่างยิ่งสำหรับการทำงานใกล้กับขอบและการตัดด้วยใบตัด

การจ่ายไฟ

ENF002-2

ต้องเชื่อมต่อเครื่องมือกับเครื่องจ่ายไฟที่มีแรงเคลื่อนไฟฟ้าตามที่ระบุไว้ในป้ายข้อมูลเครื่องจักร และจะต้องใช้ไฟฟ้ากระแสสลับแบบเฟสเดียวเท่านั้น เครื่องนี้มีฉนวนหุ้มสองชั้นดังนั้นจึงสามารถใช้เสียบเข้ากับไฟฟ้าที่ไม่มีสายดินได้

คำเตือนเพื่อความปลอดภัยสำหรับเครื่องมือไฟฟ้าทั่วไป

GEA012-2

⚠ คำเตือน: อ่านคำเตือนด้านความปลอดภัย คำแนะนำภาพประกอบ และข้อมูลทางเทคนิคทั้งหมดที่มีมากับเครื่องมือไฟฟ้านี้ การไม่ปฏิบัติตามคำแนะนำดังทั้งหมดที่แสดงอยู่ด้านล่างอาจส่งผลให้เกิดไฟฟ้าช็อต ไฟไหม้ และ/หรือได้รับบาดเจ็บอย่างร้ายแรง

เก็บรักษาคำเตือนและคำแนะนำทั้งหมดไว้เป็นข้อมูลอ้างอิงในอนาคต

คำว่า "เครื่องมือไฟฟ้า" ในคำเตือนนี้ หมายถึง เครื่องมือไฟฟ้า (มีสาย) ที่ทำงานโดยใช้กระแสไฟฟ้า หรือเครื่องมือไฟฟ้า (ไร้สาย) ที่ทำงานโดยใช้แบตเตอรี่

ความปลอดภัยของพื้นที่ทำงาน

1. ดูแลพื้นที่ทำงานให้มีความสะอาดและมีแสงไฟสว่าง พื้นที่รกกระเถอะหรือมืดที่อาจนำไปสู่การเกิดอุบัติเหตุได้
2. อย่าใช้งานเครื่องมือไฟฟ้าในสภาพที่อาจเกิดการระเบิด เช่น ในสถานที่ที่มีของเหลว ก๊าซ หรือฝุ่นผงที่มีคุณสมบัติไวไฟ เครื่องมือไฟฟ้าจะสร้างประกายไฟซึ่งอาจจุดชนวนฝุ่นผงหรือก๊าซดังกล่าว
3. ดูแลไม่ให้มีเด็ก ๆ หรือบุคคลอื่นอยู่ในบริเวณที่กำลังใช้เครื่องมือไฟฟ้า การมีสิ่งรบกวนสมาธิอาจทำให้คุณสูญเสียการควบคุม

ความปลอดภัยด้านไฟฟ้า

1. ปลั๊กของเครื่องมือไฟฟ้าต้องพอดีกับเต้ารับ อย่าตัดแปลงปลั๊กไม่ว่ากรณีใด ๆ อย่าใช้ปลั๊กแอดปเตอรกับเครื่องมือไฟฟ้าที่ต่อสายดิน (กราวด์) ปลั๊กที่ไม่ถูกดัดแปลงและเต้ารับไฟที่เข้ากันพอดีจะช่วยลดความเสี่ยงของการเกิดไฟฟ้ช็อต
2. ระวังอย่าให้ร่างกายสัมผัสกับพื้นผิวที่ต่อสายดิน เช่น ท่อ เครื่องนำความร้อน เครื่องใช้ไฟฟ้าในครัว และตู้เย็น มีความเสี่ยงที่จะเกิดไฟฟ้ช็อตสูงขึ้น หากร่างกายของคุณสัมผัสกับพื้น
3. อย่าให้เครื่องมือไฟฟ้าถูกน้ำหรืออยู่ในสภาพเปียกชื้น น้ำที่ไหลเข้าไปในเครื่องมือไฟฟ้าจะเพิ่มความเสี่ยงของการเกิดไฟฟ้ช็อต
4. อย่าใช้สายไฟอย่างไม่เหมาะสม อย่าใช้สายไฟเพื่อยก ดึง หรือ ถอดปลั๊กเครื่องมือไฟฟ้า เก็บสายไฟให้ห่างจากความร้อน น้ำมัน ของมีคม หรือชิ้นส่วนที่เคลื่อนที่ สายที่ชำรุดหรือพันกันจะเพิ่มความเสี่ยงของการเกิดไฟฟ้ช็อต
5. ขณะที่ใช้งานเครื่องมือไฟฟ้านอกอาคาร ควรใช้สายต่อพ่วงที่เหมาะสมกับงานภายนอกอาคาร การใช้สายที่เหมาะสมกับงานภายนอกอาคารจะลดความเสี่ยงของการเกิดไฟฟ้ช็อต
6. หากต้องใช้งานเครื่องมือไฟฟ้าในสถานที่เปียกชื้น ให้ใช้อุปกรณ์ป้องกันกระแสไฟรั่ว (RCD) การใช้ RCD จะลดความเสี่ยงของการเกิดไฟฟ้ช็อต
7. แนะนำให้ใช้งานแหล่งจ่ายไฟผ่าน RCD ที่มีกระแสรั่วพิกัด 30 mA หรือน้อยกว่า
8. เครื่องมือไฟฟ้าสามารถสร้างสนามแม่เหล็กไฟฟ้า (EMF) ที่ไม่เป็นอันตรายต่อผู้ใช้ งาน อย่างไรก็ตาม ผู้ใช้งานที่มีเครื่องกระตุ้นหัวใจหรืออุปกรณ์ทางการแพทย์ที่คล้ายกัน ควรติดต่อรับคำแนะนำจากผู้ผลิตอุปกรณ์ และ/หรือแพทย์ ก่อนการใช้งานเครื่องมือไฟฟ้านี้
9. อย่าสัมผัสปลั๊กไฟด้วยมือที่เปียก
10. หากสายไฟเสียหาย ให้เปลี่ยนโดยผู้ผลิตหรือตัวแทนเพื่อหลีกเลี่ยงอันตราย

ความปลอดภัยส่วนบุคคล

1. ให้ระมัดระวัง และสังเกตเสมอว่าคุณกำลังทำอะไรอยู่ และใช้สามัญสำนึกในขณะที่ใช้งานเครื่องมือไฟฟ้า อย่าใช้งานเครื่องมือไฟฟ้าในขณะที่คุณกำลังเหนื่อย หรือในสภาพที่มันมาจากยาเสพติด เครื่องดื่มแอลกอฮอล์ หรือการใซ้ยา ช่วงเวลาที่ขาดความระมัดระวังเมื่อกำลังใช้งานเครื่องมือไฟฟ้าอาจทำให้คุณได้รับบาดเจ็บอย่างรุนแรง
2. ใช้อุปกรณ์ป้องกันส่วนบุคคล สวมแว่นตาป้องกันเสมอ อุปกรณ์ป้องกัน เช่น หน้ากากกันฝุ่น รองเท้านิรภัยกันลื่น หมวกนิรภัย หรือเครื่องป้องกันการได้ยินที่ใช้ในสภาพที่เหมาะสมจะช่วยลดการบาดเจ็บ
3. ป้องกันไม่ให้เปิดใช้งานอย่างไม่ตั้งใจ ตรวจสอบว่าสวิตช์อยู่ในตำแหน่งปิดก่อนเชื่อมต่อกับแหล่งจ่ายไฟ และ/หรือชุดแบตเตอรี่ หรือก่อนการยกหรือถือเครื่องมือ การถอดนิวมือบริเวณสวิตช์เพื่อถือเครื่องมือไฟฟ้า หรือการจ่ายไฟให้กับเครื่องมือไฟฟ้าในขณะที่เปิดสวิตช์อยู่อาจนำไปสู่การเกิดอุบัติเหตุ
4. นำกฎแฉปรับแต่งหรือประแจออกก่อนที่จะเปิดเครื่องมือไฟฟ้า ประแจหรือกฎแฉที่เสียบค้างอยู่ในชิ้นส่วนทั้งหมดได้ของเครื่องมือไฟฟ้าอาจทำให้คุณได้รับบาดเจ็บ
5. อย่าทำงานในระยะที่มืดเอื่อม จัดทำการยื่นและการทรงตัวให้เหมาะสมตลอดเวลา เพราะจะทำให้ควบคุมเครื่องมือไฟฟ้าได้ดีขึ้นในสถานการณ์ที่ไม่คาดคิด
6. แต่งกายให้เหมาะสม อย่าสวมเครื่องแต่งกายที่หลวมเกินไป หรือสวมเครื่องประดับ รวบผมและเสื้อม้าให้อยู่ห่างจากส่วนที่เคลื่อนที่ เสื้อผ้ารุ่มร่าม เครื่องประดับ หรือผมที่มีความยาวอาจเข้าไปปิดในชิ้นส่วนที่เคลื่อนที่
7. หากมีการจัดอุปกรณ์สำหรับดูดและจับเก็บฝุ่นไว้ในสถานที่ ให้ตรวจสอบว่าได้เชื่อมต่อและใช้งานอุปกรณ์นั้นอย่างเหมาะสม การใช้เครื่องดูดและจัดเก็บฝุ่นจะช่วยลดอันตรายที่เกิดจากฝุ่นผงได้
8. อย่าให้ความคุ้นเคยที่ได้จากการใช้งานเครื่องมือบ่อยครั้งทำให้คุณนิ่งนอนใจและหลีกเลี่ยงหลักการความปลอดภัยของเครื่องมือ การกระทำที่ไม่ระมัดระวังสามารถทำให้ได้รับบาดเจ็บได้ในเสี้ยววินาที
9. สวมใส่แว่นตาป้องกันเพื่อป้องกันดวงตาของคุณจากการบาดเจ็บเมื่อใช้งานเครื่องมือไฟฟ้า ที่ป้องกันตาต้องได้รับรองมาตรฐาน ANSI Z87.1 ใน USA, EN 166 ในยุโรป, หรือ AS/NZS 1336 ในออสเตรเลีย/นิวซีแลนด์ ในออสเตรเลีย/นิวซีแลนด์ ตามกฎหมายต้องสวมใส่แผ่นป้องกันใบหน้าเพื่อป้องกันใบหน้าอีกด้วย (ภาพที่ 1) ผู้ว่าจ้างมีหน้าที่กำหนดให้ผู้ใช้งานเครื่องมือนี้และบุคคลอื่นที่อยู่ในพื้นที่การทำงานต้องสวมใส่อุปกรณ์ป้องกัน

การใช้และดูแลเครื่องมือไฟฟ้า

1. อย่าฝืนใช้เครื่องมือไฟฟ้า ใช้เครื่องมือไฟฟ้าที่เหมาะสมกับการใช้งานของคุณ เครื่องมือไฟฟ้าที่เหมาะสมจะทำให้ได้งานที่มีประสิทธิภาพและปลอดภัยกว่าตามขีดความสามารถของเครื่องที่ได้รับการออกแบบมา
2. อย่าใช้เครื่องมือไฟฟ้า หากสวิตช์ไม่สามารถเปิดปิดได้ เครื่องมือไฟฟ้าที่ใช้สวิตช์ควบคุมไม่ได้จัดเป็นอันตรายและต้องได้รับการซ่อมแซม
3. ถอดปลั๊กจากแหล่งจ่ายไฟ และ/หรือชุดแบตเตอรี่ออกจากเครื่องมือไฟฟ้าหากถอดได้ ก่อนทำการปรับแต่ง เปลี่ยนอุปกรณ์เสริม หรือจัดเก็บเครื่องมือไฟฟ้า วิธีการป้องกันด้านความปลอดภัยดังกล่าวจะช่วยลดความเสี่ยงของการเปิดใช้งานเครื่องมือไฟฟ้าอย่างไม่ตั้งใจ
4. จัดเก็บเครื่องมือไฟฟ้าที่ไม่ได้ใช้งานให้ห่างจากมือเด็ก และอย่าอนุญาตให้บุคคลที่ไม่คุ้นเคยกับเครื่องมือไฟฟ้า หรือคำแนะนำเหล่านี้ใช้งานเครื่องมือไฟฟ้า เครื่องมือไฟฟ้าจะเป็นอันตรายเมื่ออยู่ในมือของผู้ที่ไม่ได้รับการฝึกอบรม
5. การบำรุงรักษาเครื่องมือไฟฟ้าและอุปกรณ์เสริม ตรวจสอบการประกอบที่ไม่ถูกต้องหรือการเชื่อมต่อของชิ้นส่วนที่เคลื่อนที่ การแตกหักของชิ้นส่วน หรือสภาพอื่นๆ ที่อาจส่งผลกระทบต่อการทำงานของเครื่องมือไฟฟ้า หากมีความเสียหาย ให้นำเครื่องมือไฟฟ้าไปซ่อมแซมก่อนการใช้งาน อุบัติเหตุจำนวนมากเกิดจากการดูแลรักษาเครื่องมือไฟฟ้าอย่างไม่ถูกต้อง
6. ลับความคมและทำความสะอาดเครื่องมือการตัดอยู่เสมอ เครื่องมือการตัดที่มีการดูแลอย่างถูกต้องและมีขอบการตัดคมมักจะมีความปลอดภัยน้อยและควบคุมได้ง่ายกว่า
7. ใช้เครื่องมือไฟฟ้า อุปกรณ์เสริม และวัสดุสิ้นเปลือง ฯลฯ ตามคำแนะนำดังกล่าว พิจารณาสภาพการทำงานและงานที่จะลงมือทำ การใช้เครื่องมือไฟฟ้าเพื่อทำงานอื่นนอกเหนือจากที่กำหนดไว้ อาจทำให้เกิดอันตราย
8. รักษามือจับและพื้นผิวจับให้แห้ง, สะอาด และไม่มีน้ำมัน หรือจารีบจับมือจับและพื้นผิวจับที่ลื่นจะทำให้การจับและการควบคุมเครื่องมือที่ปลอดภัยไม่เกิดขึ้น ในบางสถานการณ์ที่ไม่คาดคิด
9. เมื่อใช้งานเครื่องมือ, อย่าสวมใส่ถุงมือผ้า ซึ่งอาจจะติดพันกับเครื่องมือได้ การติดพันของถุงมือผ้าในสถานที่เคลื่อนที่อาจจะทำให้เกิดการบาดเจ็บได้

การบริการ

1. นำเครื่องมือไฟฟ้าเข้ารับบริการจากช่างซ่อมที่ผ่านการรับรองโดยโซอะไหลแบบเดียวกันเท่านั้น เพราะจะทำให้การใช้เครื่องมือไฟฟ้ามีความปลอดภัย
2. ปฏิบัติตามคำแนะนำในการหลอกลืนและการเปลี่ยนอุปกรณ์เสริม

คำเตือนด้านความปลอดภัยสำหรับเครื่องมืออเนกประสงค์

GEB142-2

1. เครื่องมือไฟฟ้านี้ออกแบบมาเพื่อใช้เลื่อย, ตัด, เจียร และขัด อ่านคำเตือนด้านความปลอดภัย คำแนะนำ ภาพประกอบ และข้อมูลทางเทคนิคทั้งหมดที่มีมาพร้อมกับเครื่องมือไฟฟ้านี้ การไม่ปฏิบัติตามคำแนะนำทั้งหมดที่แสดงอยู่ด้านล่าง อาจส่งผลให้เกิดไฟฟ้าช็อต ไฟไหม้ และ/หรือได้รับบาดเจ็บอย่างร้ายแรง
2. ถือเครื่องมือบริเวณมือจับที่เป็นฉนวน ขณะทำงานที่เครื่องมือตัดอาจสัมผัสกับสายไฟที่ซ่อนอยู่หรือสายไฟของเครื่องมือเอง ชิ้นส่วนของเครื่องมือตัดที่สัมผัสกับสายไฟที่ "มีกระแสไฟฟ้าไหลผ่าน" อาจทำให้ส่วนที่เป็นโลหะของเครื่องมือไฟฟ้าที่ไม่มีฉนวนหุ้ม "มีกระแสไฟฟ้าไหลผ่าน" และทำให้ผู้ปฏิบัติงานถูกไฟฟ้าช็อตได้
3. ใช้อุปกรณ์จับยึดหรือวิธีการอื่นที่เหมาะสมเพื่อยึดและค้ำยันชิ้นงานให้แน่นบนฐานรองที่มั่นคง การใช้มือจับชิ้นงานหรือใช้ลำตัวหนีบชิ้นงานไว้จะทำให้ชิ้นงานไม่มั่นคงและอาจทำให้สูญเสียการควบคุมได้
4. จัดตำแหน่งให้สายไฟอยู่ห่างจากอุปกรณ์เสริมที่กำลังหมุนอยู่ หากคุณสูญเสียการควบคุม สายไฟอาจถูกตัดหรือถูกเกี่ยวและทำให้มือหรือแขนของคุณถูกดึงเข้าไปในอุปกรณ์เสริมที่กำลังหมุนอยู่
5. สวมแว่นตาป้องกันหรือแว่นกันฝุ่นเสมอ แว่นตาปกติหรือแว่นกันแดดไม่สามารถป้องกันอันตรายได้
6. ระงับอย่าให้ตัดโดนตะปู ตรวจสอบชิ้นงานว่ามีตะปูอยู่หรือไม่ และถอนออกก่อนเริ่มทำงาน
7. ถือเครื่องมืออย่างมั่นคง
8. ก่อนที่จะเปิดสวิตช์เครื่อง ต้องตรวจสอบให้แน่ใจว่าเครื่องมือไม่ได้สัมผัสกับชิ้นงาน
9. ระงับอย่าให้มือสัมผัสกับชิ้นส่วนที่หมุนได้
10. อย่าปล่อยให้เครื่องมือทำงานค้างไว้ ใช้งานเครื่องมือในขณะที่ถืออยู่เท่านั้น
11. ตรวจสอบว่าปิดสวิตช์ทุกครั้งและรอจนกว่าใบเลื่อยจะหยุดหมุนสนิทก่อนถอนใบเลื่อยออกจากชิ้นงาน
12. ห้ามสัมผัสกับเครื่องมือหรือชิ้นงานทันทีที่ทำงานเสร็จ เนื่องจากอาจมีความร้อนสูงและลวกผิวหนังของคุณได้
13. อย่าเปิดใช้เครื่องมือโดยไม่ได้ทำงานหากไม่จำเป็น
14. สวมหน้ากากกันฝุ่น/หน้ากากป้องกันพิษให้เหมาะสมกับวัสดุและการใช้งานที่คุณกำลังทำงานอยู่
15. วัสดุบางอย่างอาจมีสารเคมีที่เป็นพิษ ระงับอย่าสูดดมฝุ่นหรือให้สารเหล่านั้นสัมผัสกับร่างกาย ปฏิบัติตามข้อมูลด้านความปลอดภัยของผู้ผลิตวัสดุ
16. เครื่องมือนี้ไม่มีคุณสมบัติกันน้ำ ดังนั้นอย่าใช้น้ำเทลงบนพื้นผิวของชิ้นงาน

17. เมื่อทำงานขัด ต้องระบายอากาศในบริเวณที่ทำงานให้เพียงพอ
18. ใช้เครื่องมือนี้ในการขัดสินค้าบางชนิด เช่น พื้นผิวที่ทาสี ตะกั่ว, ไม้ และเหล็ก อาจทำให้ผู้ใช้และผู้อยู่ใกล้เคียงสูดเอาฝุ่นที่มีสารอันตรายได้ ใช้เครื่องป้องกันระบบทางเดินหายใจที่เหมาะสม
19. ก่อนใช้งาน ต้องตรวจสอบให้แน่ใจว่าไม่มีรอยร้าวหรือรอยแตกที่แผ่น รอยร้าวหรือรอยแตกอาจเป็นสาเหตุให้เกิดการบาดเจ็บได้
20. อย่าใช้อุปกรณ์เสริมที่ไม่ได้ออกแบบมาโดยเฉพาะและไม่นำมาจากผู้ผลิตเครื่องมือนี้ แม้ว่าอุปกรณ์เสริมนี้จะสามารถประกอบเข้ากับเครื่องมือไฟฟ้าได้ แต่ก็ไม่ได้รับประกันว่าการใช้งานจะมีความปลอดภัย
21. สวมใส่อุปกรณ์ป้องกันส่วนบุคคล ใช้หน้ากากป้องกันหน้า แว่นครอบตาที่ฝุ่น/ลม หรือแว่นตานิรภัยตามลักษณะการใช้งาน ให้สวมเครื่องป้องกันการได้ยิน, ถุงมือ และชุดป้องกันที่สามารถป้องกันเศษชิ้นงานหรือเศษผงจากการขัดดูชิ้นเล็ก ๆ ตามความเหมาะสม ชุดป้องกันสายตาต้องสามารถป้องกันเศษชิ้นงานที่ปลิวอยู่ในอากาศซึ่งเกิดจากการทำงานในรูปแบบต่างๆ หน้ากากกันฝุ่นหรือหน้ากากป้องกันพิษต้องสามารถกรองอนุภาคเล็กๆ ที่เกิดจากการทำงานของคุณ การได้ยินเสียงรบกวนที่มีความดังสูงติดต่อกันเป็นเวลานานอาจทำให้สูญเสียการได้ยิน
22. จัดให้บุคคลรอบข้างอยู่ในระยะห่างที่ปลอดภัยจากพื้นที่การทำงาน บุคคลที่เข้าสู่พื้นที่การทำงานต้องสวมใส่ชุดอุปกรณ์ป้องกัน เศษชิ้นงานหรืออุปกรณ์ที่แตกหักอาจปลิวกระเด็นออกมา และเป็นสาเหตุให้ได้รับบาดเจ็บได้โดยตรงจากพื้นที่การทำงาน
23. อย่าวางเครื่องมือไฟฟ้าลง จนกว่าอุปกรณ์เสริมจะหยุดทำงานจนสนิท อุปกรณ์เสริมที่กำลังหมุนอยู่อาจล้มตกลูกพื้นและดึงเครื่องมือไฟฟ้าจนหลุดจากการควบคุมของคุณ
24. อย่าเปิดสวิตช์เครื่องมือไฟฟ้า ในขณะที่กำลังถือเครื่องหันมาทางตัวของคุณเอง การสัมผัสกับอุปกรณ์เสริมที่กำลังหมุนอยู่โดยไม่ตั้งใจอาจทำให้อุปกรณ์เสริมดังกล่าวเกี่ยวเข้ากับเสื้อผ้าของคุณ ซึ่งจะดึงอุปกรณ์เสริมเข้าหาตัวคุณได้
25. อย่าใช้เครื่องมือไฟฟ้าใกล้วัตถุไวไฟ ประกายไฟอาจทำให้วัตถุดังกล่าวลุกไหม้
26. อย่าใช้อุปกรณ์เสริมที่ต้องมีน้ำยาหล่อเย็น การใช้น้ำหรือน้ำยาหล่อเย็นอื่นๆ อาจทำให้ได้รับอันตรายจากไฟฟ้าดูดหรือไฟฟ้าช็อต
27. ตรวจสอบว่าปิดสวิตช์และถอดปลั๊กเครื่องแล้วก่อนดำเนินการใด ๆ กับเครื่อง
28. หากสถานที่ทำงานมีความร้อนและความชื้นมากเกินไปหรือมีการปนเปื้อนฝุ่นผงที่เป็นตัวนำไฟฟ้า ให้ใช้เครื่อง

- ตัดกระแสไฟช็อต (30 มิลลิแอมป์) เพื่อให้มั่นใจว่าผู้ปฏิบัติงานจะมีความปลอดภัย
29. ตรวจสอบบริเวณที่ยืนให้มีความมั่นคงเสมอ หากใช้งานเครื่องมือในพื้นที่สูง ระวังอย่าให้มีคนอยู่ด้านล่าง
30. ก่อนเริ่มทำงาน ตรวจสอบให้แน่ใจว่าไม่มีสายหรือท่อจ่ายพลังงาน เช่น สายไฟ ท่อแก๊ส และท่อจ่ายน้ำ ชอนอยู่ใต้พื้นที่ทำงาน การตัดหรือทำให้สายหรือท่อจ่ายพลังงานเสียหายอาจทำให้เกิดไฟฟ้าช็อต แก๊สรั่ว หรือพิษอันตราย หรืออุบัติเหตุอื่นๆ ได้

บันทึกคำแนะนำเหล่านี้

⚠ คำเตือน:

อย่าให้ความไม่ระมัดระวังหรือความคุ้นเคยกับผลิตภัณฑ์ (จากการใช้งานซ้ำหลายครั้ง) อยู่เหนือการปฏิบัติตามกฎเกณฑ์ด้านความปลอดภัยในการทำงานผลิตภัณฑ์อย่างเคร่งครัด การปฏิบัติอย่างไม่เหมาะสมหรือการไม่ปฏิบัติตามกฎเกณฑ์ด้านความปลอดภัยในคู่มือการใช้งานนี้อาจก่อให้เกิดการบาดเจ็บอย่างรุนแรง

คำอธิบายการใช้งาน

⚠ คำเตือน:

- ตรวจสอบว่าปิดสวิตช์และถอดปลั๊กเครื่องแล้วก่อนทำการปรับเปลี่ยนหรือตรวจสอบการทำงานของเครื่อง การไม่ปิดสวิตช์เครื่องและการถอดปลั๊กเครื่องมืออาจทำให้ได้รับบาดเจ็บสาหัสจากการเริ่มเปิดใช้งานเครื่องอย่างไม่ตั้งใจ

การทำงานของสวิตช์ (ภาพที่ 2)

⚠ ข้อควรระวัง:

- ก่อนการเสียบปลั๊กเครื่องมือ ให้ตรวจสอบดูทุกครั้งว่าได้ปิดสวิตช์เครื่องมือแล้ว
- หากต้องการเปิดใช้งานเครื่องมือ ให้ปรับสวิตช์เลื่อนไปที่ตำแหน่ง "I (เปิด)"
- หากต้องการหยุดการทำงานของเครื่องมือ ให้ปรับสวิตช์เลื่อนไปที่ตำแหน่ง "O (ปิด)"

การปรับอัตราความเร็ว (ภาพที่ 3)

สามารถปรับอัตราความเร็วได้ หากต้องการเปลี่ยนอัตราความเร็วให้หมุนปุ่มหมุนระหว่าง 1 และ 5 โดยตัวเลขยิ่งมากอัตราความเร็วก็จะสูงขึ้น ก่อนทำงาน ให้ตั้งปุ่มหมุนไปยังหมายเลขที่เหมาะสมงาน

หมายเหตุ:

- ปุ่มหมุนจะหมุนโดยตรงจาก 1 ไป 5 หรือจาก 5 ไป 1 เลยไม่ได้ หากกินหมุน เครื่องมืออาจเสียหายได้ เมื่อหมุนเปลี่ยนค่าของปุ่มหมุน ให้หมุนผ่านค่าระหว่างหมายเลขที่ต้องการเสมอ

ระบบควบคุมความเร็วคงที่

ระบบควบคุมความเร็วเล็กน้อยก็เพื่อให้มีความเร็วคงที่ จะช่วยให้ได้งานที่เรียบร้อย เนื่องจากอัตราการหมุนจะถูกรักษาระดับให้คงที่ แม้ในขณะที่มีปริมาณงานมาก

การประกอบ

⚠ ข้อควรระวัง:

- ก่อนดำเนินการใดๆ กับเครื่อง ต้องตรวจสอบให้แน่ใจว่า ปิดสวิตช์และถอดปลั๊กเครื่องแล้วทุกครั้ง

การประกอบหรือการถอดเครื่องมือออก

(อุปกรณ์เสริม)

⚠ คำเตือน:

- อย่าติดตั้งเครื่องมือกลับหัว การติดตั้งเครื่องมือกลับหัวอาจทำให้เกิดความเสียหายแก่เครื่องมือและเป็นสาเหตุให้เกิดการบาดเจ็บร้ายแรงได้
- ติดตั้งเครื่องมือประกอบในทิศทางที่ถูกต้องตามงานของคุณ สามารถติดตั้งเครื่องมือได้ทุกๆ 30 องศา (ภาพที่ 4 และ 5)

ใส่เครื่องมือ (อุปกรณ์เสริม) บนหน้าแปลนของเครื่องมือเพื่อให้ส่วนที่ยื่นออกมาที่หน้าแปลนของเครื่องมือพอดีกับรูในเครื่องมือ แล้วยึดเครื่องมือให้แน่นโดยการขันสลักเกลียวด้วยประแจหกเหลี่ยม เมื่อใช้งานเครื่องมือสำหรับขัด ให้ติดเครื่องมือบนแผ่นจักรกระดาษทรายให้พอดีกับทิศทางของแผ่นขัด

แผ่นขัดมีระบบยึดจับแบบตะขอและห่วงซึ่งทำให้สามารถติดตั้งกระดาษทรายได้อย่างง่ายดายและรวดเร็ว ที่ตัวกระดาษทรายจะมีรูสำหรับแยกฝุ่น ให้ติดกระดาษทรายให้รูในกระดาษทรายพอดีกับรูในแผ่นขัด

หากต้องการนำกระดาษทรายออก ให้ยกขอบขึ้นแล้วลอกออก ใช้ประแจหกเหลี่ยมเพื่อคลายสลักเกลียวสำหรับติดตั้งเครื่องมือ แล้วถอดออก จากนั้นจึงถอดเครื่องมือออก (ภาพที่ 6) เมื่อใช้งานเครื่องมือที่มีจุดติดตั้งที่ต่างออกไป ให้ใช้แฉกเตอร์ที่ถูกต้อง (อุปกรณ์เสริม)

การทำงาน

⚠ คำเตือน:

- ก่อนเริ่มใช้งานเครื่องมือและในขณะทำงานอยู่ ต้องให้มีมือและหน้าของคุณอยู่ห่างจากเครื่องมือ

⚠ ข้อควรระวัง:

- อย่าไหลดเครื่องมือมากเกินไป เนื่องจากอาจทำให้มอเตอร์ลัดวงจรและหยุดหมุนได้

การตัด, การเลื่อย และการกัด

⚠ ข้อควรระวัง:

- อย่าฝืนเลื่อนเครื่องมือไปในทิศทางการทำงานของเครื่องมือโดยไม่ได้อัดตั้งใบตัด เนื่องจากอาจทำให้เครื่องมือเสียหาย (ภาพที่ 7) วางเครื่องมือบนชิ้นงาน จากนั้นจึงเลื่อนเครื่องมือไปทางด้านหน้าเพื่อให้การเคลื่อนที่ของเครื่องมือไม่ช้าลง

หมายเหตุ:

- การกดหรือแรงกดที่มากเกินไปบนเครื่องมืออาจทำให้ประสิทธิภาพในการทำงานลดลง
- ก่อนทำงานตัด แนะนำให้ตั้งอัตราการหมุนไว้ที่ 3 - 5

การขัด

⚠ ข้อควรระวัง:

- อย่านำกระดาษทรายสำหรับขัดโลหะมาใช้ขัดไม้
- อย่าใช้กระดาษทรายที่สึกหรือหรือกระดาษทรายที่ไม่มีเกรดแล้ว (ภาพที่ 8) ขัดชิ้นงานด้วยกระดาษทราย

หมายเหตุ:

- แนะนำให้ใช้ชิ้นวัสดุสำหรับทดสอบเพื่อทดลองก่อน เพื่อหาความเร็วรอบที่ถูกต้องเหมาะสมกับชิ้นงานของคุณ
- ใช้กระดาษทรายที่มีความหยาบเท่ากันขัดให้ทั่วชิ้นงานทั้งชิ้น การเปลี่ยนกระดาษทรายที่มีความหยาบต่างกันอาจทำให้ผิวไม่เรียบดี

การติดเครื่องแยกฝุ่น (อุปกรณ์เสริม) (ภาพที่ 9 และ 10)

- ติดตั้งชิ้นส่วนข้อต่อ, หัวฉีดกำจัดฝุ่น และตัวดักฝุ่น
- ติดตั้งแถบหัวฉีดบนเครื่องมือให้ส่วนที่ยื่นออกมาพอดีอยู่ในรูของเครื่องมือเพื่อยึดให้แน่น
- ใส่แหวนสลักหลอดและแผ่นขัดบนตัวดักฝุ่นแล้วยึดให้แน่นด้วยสลักเกลียวสำหรับติดตั้งเครื่องมือ (ภาพที่ 11)

เมื่อคุณต้องการทำความสะอาด ให้เชื่อมต่อเครื่องดูดฝุ่นเข้ากับเครื่องมือของคุณ จากนั้น ให้เชื่อมต่อเครื่องดูดฝุ่นเข้ากับหัวฉีดกำจัดฝุ่น

การดูแลรักษา

⚠ ข้อควรระวัง:

- ก่อนทำการตรวจสอบหรือดูแลรักษาเครื่อง ต้องตรวจสอบให้แน่ใจว่าได้ปิดสวิตช์และถอดปลั๊กเครื่องแล้วทุกครั้ง
- อย่าใช้น้ำมันเชื้อเพลิง เบนซิน ทินเนอร์ แอลกอฮอล์ หรือวัสดุประเภทเดียวกัน เพราะอาจทำให้เครื่องมือเสียหาย ผิดรูปทรงหรือแตกหักได้

เพื่อดูแลให้ผลิตภัณฑ์มีความปลอดภัยและไว้วางใจได้ ควรนำส่งผลิตภัณฑ์ให้แก่ศูนย์บริการที่ได้รับอนุญาตของ Makita ดำเนินการซ่อมแซม ตรวจสอบและเปลี่ยนแปลงคาร์บอน ดูแลรักษาหรือทำการปรับเปลี่ยนอื่นๆ และใช้อะไหล่แท้ของ Makita เท่านั้น

อุปกรณ์เสริม

⚠️ ข้อควรระวัง:

- ขอแนะนำให้ใช้อุปกรณ์เสริมหรือส่วนประกอบเหล่านี้กับเครื่องมือ Makita ของคุณตามที่ระบุในคู่มือนี้ การใช้อุปกรณ์เสริมหรือส่วนประกอบอื่นอาจทำให้ผู้ใช้ได้รับบาดเจ็บ ใช้อุปกรณ์เสริมหรือส่วนประกอบตามที่ระบุไว้เท่านั้น

หากคุณต้องการทราบรายละเอียดเพิ่มเกี่ยวกับอุปกรณ์เสริมดังกล่าว โปรดสอบถามศูนย์บริการของ Makita ในพื้นที่ของคุณ

- ใบเลื่อยตัด
- ใบเลื่อยวงเดือน
- ใบเลื่อยแบบเลื่อยลึก
- เครื่องขุด (คงตัว)
- เครื่องขุด (ยึดหมุน)
- ใบขุดแบบฟันเลื่อย
- ใบมีดกัดร่อง
- ตัวก้ำจัดแบบ HM
- ใบเลื่อยตัดแบบ HM
- แผ่นขัดแบบ HM
- ใบตัดแบบเพชร
- แผ่นขัด
- อแดปเตอร์
- กระจาดขัดแบบเดลต้า (แดง/ขาว/ดำ)
- ขนแกะขัดแบบเดลต้า (ปานกลาง/หยาบ/ไม่มีกรวด)
- สึกหลาดขัดแบบเดลต้า
- ประแจหกเหลี่ยม
- การติดเครื่องแยกฝุ่น

หมายเหตุ:

- อุปกรณ์เสริมบางรายการอาจเป็นอุปกรณ์เสริมมาตรฐานที่รวมอยู่ในชุดเครื่องมือแล้ว ทั้งนี้ อาจมีความแตกต่างกันในแต่ละประเทศ

Makita Corporation
3-11-8, Sumiyoshi-cho,
Anjo, Aichi 446-8502 Japan

885123E370

www.makita.com

ALA