



**Instruction Manual**  
**Petunjuk Penggunaan**  
**Tài liệu hướng dẫn**  
**คู่มือการใช้งาน**

**Important:**

Read this instruction manual carefully before putting the brushcutter into operation and strictly observe the safety regulations!  
Preserve instruction manual carefully!

**Penting:**

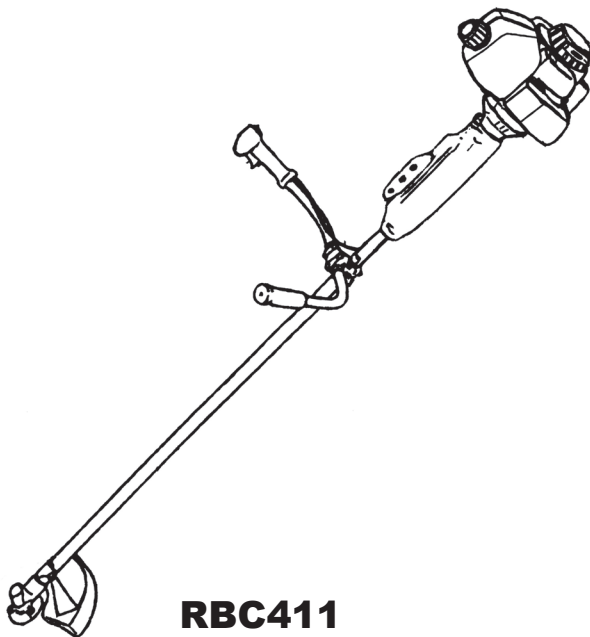
Bacalah petunjuk penggunaan ini dengan teliti sebelum mengoperasikan pemotong semak ini dan patuhilah dengan ketat peraturan keselamatan yang berlaku!  
Simpanlah buku petunjuk penggunaan ini dengan baik!

**Quan trọng:**

Đọc tài liệu hướng dẫn này một cách cẩn thận trước khi vận hành Máy Cắt Cỏ Cầm Tay Hoạt Động Bằng Động Cơ Xăng và tuân thủ nghiêm chỉnh các quy định về an toàn!  
Bảo quản tài liệu hướng dẫn một cách cẩn thận!

**ข้อสำคัญ:**

อ่านคู่มือการใช้งานนี้อย่างถี่ถ้วนก่อนใช้งานเครื่องตัดหญ้าและปฏิบัติตามกฎความปลอดภัยอย่างเคร่งครัด!  
เก็บคู่มือการใช้งานไว้ในที่ปลอดภัย!



**RBC411**



**RBC411U**

Thank you very much for selecting the MAKITA brushcutter. We are pleased to be able to offer you the MAKITA brushcutter which is the result of a long development programme and many years of knowledge and experience. Please read, understand and follow this booklet which refers in detail to the various points that will demonstrate its outstanding performance. This will assist you to obtain the best possible result from your MAKITA brushcutter.



## Table of Contents

## Page

Symbols.....	2
Safety instructions .....	3
Technical data .....	7
Designation of parts.....	8
Assembly of engine and shaft .....	9
Mounting of handle .....	9
Mounting of protector.....	10
Mounting of cutter blade .....	12
Fuels/refueling .....	14
Correct handling of machine.....	15
Putting into operation.....	16
Resharpener the cutting tool.....	17
Maintenance schedule.....	18
Storage.....	19

## SYMBOLS

You will note the following symbols when reading the instruction manual.

	Read instruction manual		Keep the area of operation clear of all persons and pets
	Take particular care and attention		Wear protective helmet, eye and ear protection
	Forbidden		Top permissible tool speed
	Keep distance		Fuel and oil mixture
	Flying object hazard		Engine-Manual start
	No smoking		Emergency stop
	No open flame		First Aid
	Protective gloves must be worn		ON/START
	Wear sturdy boots with non-slip soles. Steel toed safety boots are recommended.		OFF/STOP
	Kickback		

# SAFETY INSTRUCTIONS

## General Instructions

- Read this instruction manual to become familiar with handling of the equipment. Users insufficiently informed will risk danger to themselves as well as others due to improper handling.
- It is recommended only to lend the equipment to people who have proven to be experienced.  
Always hand over the instruction manual.
- First users should ask the dealer for basic instructions to familiarize oneself with the handling of brushcutters.
- Children and young persons aged under 18 years must not be allowed to operate this equipment. Persons over the age of 16 years may however use the device for the purpose of being trained while under supervision of a qualified trainer.
- Use with the utmost care and attention.
- Operate only if you are in good physical condition. Perform all work calmly and carefully. The user has to accept liability for others.
- Never use this equipment after consumption of alcohol or drugs, or if feeling tired or ill.
- National regulation can restrict the use of the machine.

## Intended use of the machine

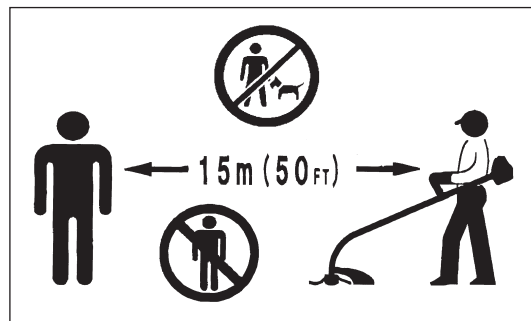
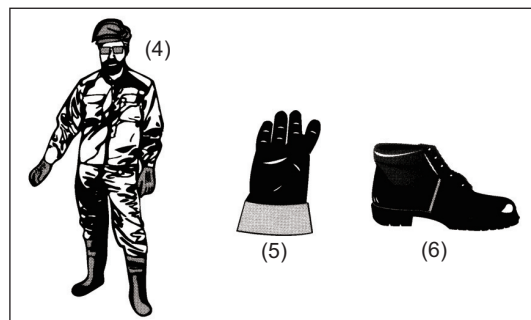
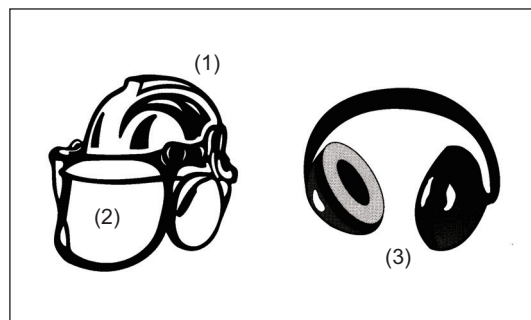
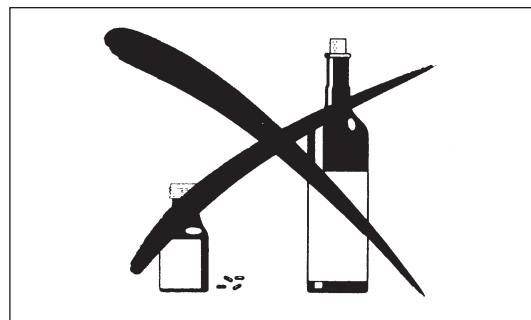
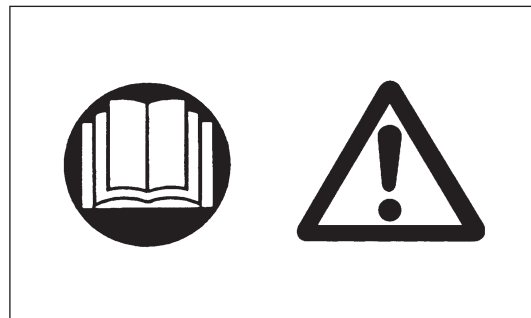
- This equipment is only intended for cutting grass, weeds, bushes, undergrowth. It should not be used for any other purpose such as edging or hedge cutting as this may cause injury.

## Personal protective equipment

- The clothing worn should be functional and appropriate, i.e. it should be tight-fitting but not cause hindrance. Do not wear either jewelry or clothing which could become entangled with bushes or shrubs.
- In order to avoid either head-, eye-, hand- or foot injuries as well as to protect your hearing the following protective equipment and protective clothing must be used during operation.
- Always wear a helmet where there is a risk of falling objects. The protective helmet (1) is to be checked at regular intervals for damage and is to be replaced at the latest after 5 years. Use only approved protective helmets.
- The visor (2) of the helmet (or alternatively goggles) protects the face from flying debris and stones. During operation always wear goggles, or a visor to prevent eye injuries.
- Wear adequate noise protection equipment to avoid hearing impairment (ear muffs (3), ear plugs etc.).
- The work overalls (4) protect against flying stones and debris. We strongly recommend that the user wears work overalls.
- Gloves (5) are part of the prescribed equipment and must always be worn during operation.
- When using the equipment, always wear sturdy shoes (6) with a non-slip sole. This protects against injuries and ensures a good footing.

## Starting up the brushcutter

- Please make sure that there are no children or other people within a working range of 15 meters (50 ft), also pay attention to any animals in the working vicinity.
- Before use always check the equipment is safe for operation:  
Check the security of the cutting tool, the throttle lever for easy action and check for proper functioning of the throttle lever lock.
- Rotation of the cutting tool during idling speed is not allowed. Check with your dealer for adjustment if in doubt. Check for clean and dry handles and test the function of the start/stop switch.

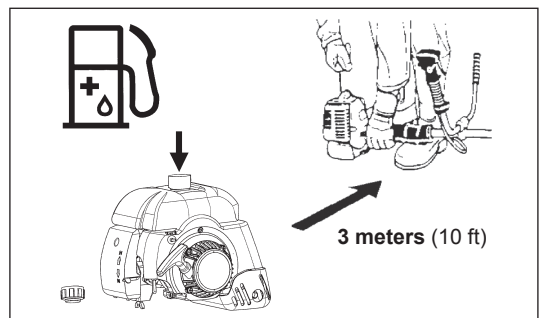
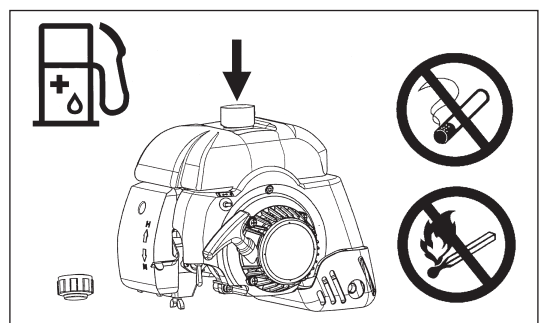
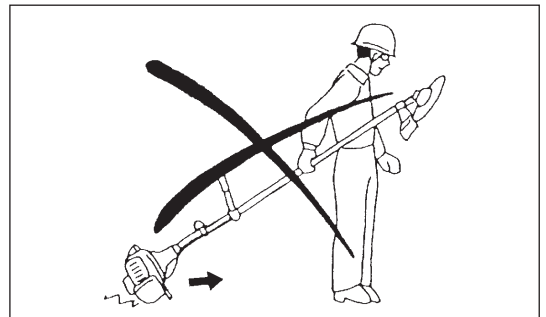
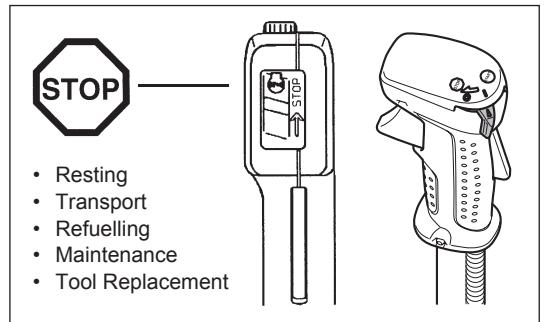
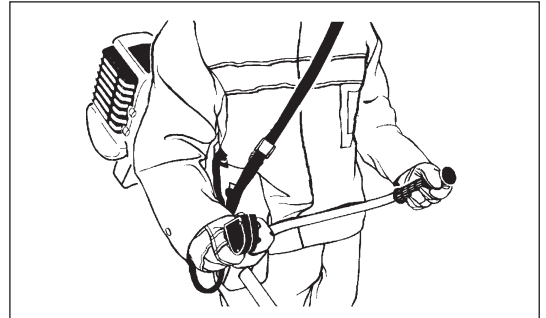
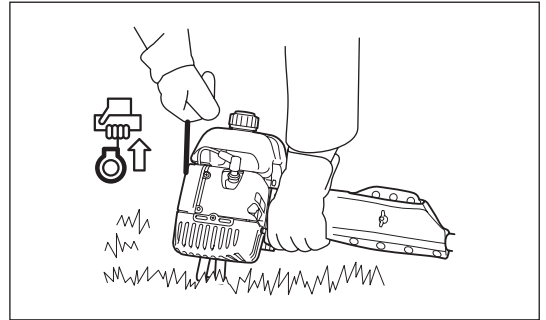


Start the brushcutter only in accordance with the instructions.

- Do not use any other methods for starting the engine!
- Use the brushcutter and the tools only for such applications as specified.
- Only start the engine, after the entire assembly is done. Operation of the device is only permitted after all the appropriate accessories are attached!
- Before starting make sure that the cutting tool has no contact with hard objects such as branches, stones etc. as the cutting tool will revolve when starting.
- The engine is to be switched off immediately in case of any engine problems.
- Should the cutting tool hit stones or other hard objects, immediately switch off the engine and inspect the cutting tool.
- Inspect the cutting tool at short regular intervals for damage (detection of hairline cracks by means of tapping-noise test).
- If the equipment gets heavy impact or fall, check the condition before continuing work. Check the fuel system for fuel leakage and the controls and safety devices for malfunction. If there is any damage or doubt, ask our authorized service center for the inspection and repair.
- Operate the equipment only with the shoulder harness attached which is to be suitably adjusted before putting the brushcutter into operation. It is essential to adjust the shoulder harness according to the user size to prevent fatigue occurring during use. Never hold the cutter with one hand during use.
- During operation always hold the brushcutter with both hands. Always ensure a safe footing.
- Operate the equipment in such a manner as to avoid inhalation of the exhaust gases. Never run the engine in enclosed rooms (risk of gas poisoning). Carbon monoxide is an odorless gas.
- Switch off the engine when resting and when leaving the equipment unattended, and place it in a safe location to prevent danger to others or damage to the machine.
- Never put the hot brushcutter onto dry grass or onto any combustible materials.
- Always install the approved cutting tool guard onto the equipment before starting the engine. Otherwise contact with the cutting tool may cause serious injury.
- All protective installations and guards supplied with the machine must be used during operation.
- Never operate the engine with faulty exhaust muffler.
- Shut off the engine during transport.
- When transporting the equipment, always attach the cover to the cutting blade.
- Ensure safe position of the equipment during car transportation to avoid fuel leakage.
- When transporting, ensure that the fuel tank is completely empty.
- When unloading the equipment from the truck, never drop the Engine to the ground or this may severely damage the fuel tank.
- Except in case of emergency, never drop or cast the equipment to the ground or this may severely damage the equipment.
- Remember to lift the entire equipment from the ground when moving the equipment. Dragging the fuel tank is highly dangerous and will cause damage and leakage of fuel, possibly causing fire.

**Refueling**

- Shut off the engine during refueling, keep away from open flames and do not smoke.
- Avoid skin contact with mineral oil products. Do not inhale fuel vapor. Always wear protective gloves during refueling. Change and clean protective clothing at regular intervals.
- Take care not to spill either fuel or oil in order to prevent soil contamination (environmental protection). Clean the brushcutter immediately after fuel has been spilt.
- Avoid any fuel contact with your clothing. Change your clothing instantly if fuel has been spilt on it (to prevent clothing catching fire).
- Inspect the fuel cap at regular intervals making sure that it can be securely fastened and does not leak.
- Carefully tighten the fuel tank cap. Change location to start the engine (at least 3 meters away from the place of refueling).
- Never refuel in closed rooms. Fuel vapors accumulate at ground level (risk of explosions).
- Only transport and store fuel in approved containers. Make sure the fuel stored is not accessible to children.





## Method of operation

- Only use in good light and visibility. During the winter season beware of slippery or wet areas, ice and snow (risk of slipping). Always ensure a safe footing.
- Never cut above waist height.
- Never stand on a ladder.
- Never climb up into trees to perform cutting operation.
- Never work on unstable surfaces.
- Remove sand, stones, nails etc. found within the working range. Foreign particles may damage the cutting tool and can cause dangerous kickbacks.
- Before commencing cutting, the cutting tool must have reached full working speed.
- When using metal blades, swing the tool evenly in half-circle from right to left, like using a scythe.  
If grass or branches get caught between the cutting tool and guard, always stop the engine before cleaning. Otherwise unintentional blade rotation may cause serious injury.
- Take a rest to prevent loss of control caused by fatigue. We recommend to take a 10 to 20-minute rest every hour.

## Cutting Tools

- Use an applicable cutting tool for the job in hand.  
Metal blades are suitable for cutting weeds, high grasses, bushes, shrubs, underwood, thicket, and the like.  
Never use other blades including metal multi-piece pivoting chains and flail blades. Otherwise serious injury may result.
- When using metal blades, avoid “kickback” and always prepare for an accidental kickback. See the section “Kickback” and “Kickback prevention.”

## Kickback (blade thrust)

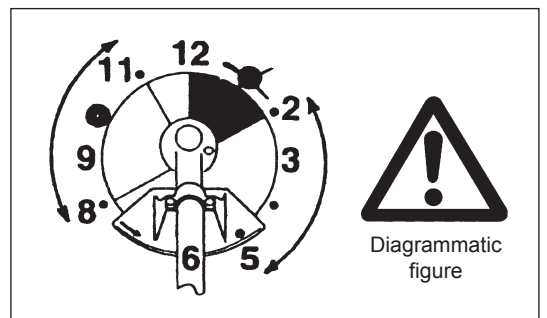
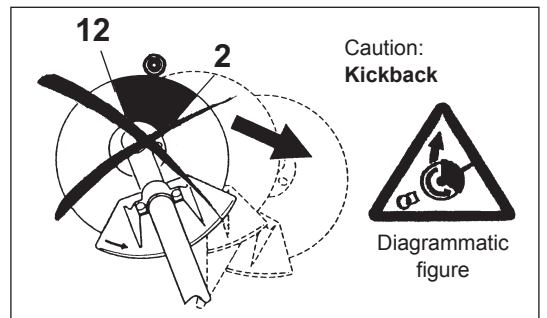
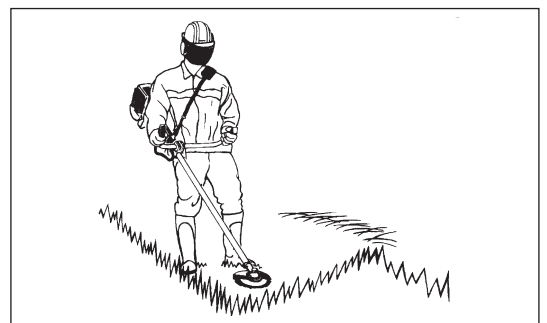
- Kickback (blade thrust) is a sudden reaction to a caught or bound cutting blade. Once it occurs, the equipment is thrown sideways or toward the operator at great force and it may cause serious injury.
- Kickback occurs particularly when applying the blade segment between 12 and 2 o'clock to solids, bushes and trees with 3 cm or larger diameter.
- To avoid kickback:
  - Apply the segment between 8 and 11 o'clock;
  - Never apply the segment between 12 and 2 o'clock;
  - Never apply the segment between 11 and 12 o'clock and between 2 and 5 o'clock, unless the operator is well trained and experienced and does it at his/her own risk;
  - Never use cutting blades close to solids, such as fences, walls, tree trunks and stones;
  - Never use cutting blades vertically, for such operations as edging and trimming hedges.

## Vibration

- People with poor circulation who are exposed to excessive vibration may experience injury to blood vessels or the nervous system. Vibration may cause the following symptoms to occur in the fingers, hands or wrists: “Falling asleep” (numbness), tingling, pain, stabbing sensation, alteration of skin color or of the skin. If any of these symptoms occur, see a physician!
- To reduce the risk of “white finger disease”, keep your hands warm during operation and well maintain the equipment and accessories.

## Maintenance instructions

- Have your equipment serviced by our authorized service center, always using only genuine replacement parts. Incorrect repair and poor maintenance can shorten the life of the equipment and increase the risk of accidents.
- The condition of the cutter, in particular of the cutting tool of the protective devices and also of the shoulder harness must be checked before commencing work. Particular attention is to be paid to the cutting blades which must be correctly sharpened.
- Turn off the engine and remove spark plug connector when replacing or sharpening cutting tools, and also when cleaning the cutter or cutting tool.



**Never straighten or weld damaged cutting tools.**

- Pay attention to the environment. Avoid unnecessary throttle operation for less pollution and noise emissions. Adjust the carburetor correctly.
- Clean the equipment at regular intervals and check that all screws and nuts are well tightened.
- Never service or store the equipment in the vicinity of naked flames.
- Always store the equipment in locked rooms and with an emptied fuel tank.
- When cleaning, servicing and storing the equipment, always attach the cover to the cutting blade.



Observe the relevant accident prevention instructions issued by the relevant trade associations and by the insurance companies. Do not perform any modifications to the equipment as this will endanger your safety.

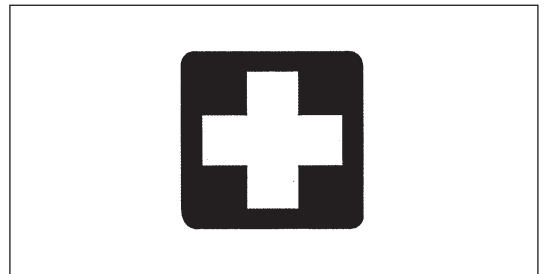
The performance of maintenance or repair work by the user is limited to those activities as described in the instruction manual. All other work is to be done by an Authorized Service Agent. Use only genuine spare parts and accessories released and supplied by MAKITA. Use of non-approved accessories and tools means increased risk of accidents. MAKITA will not accept any liability for accidents or damage caused by the use of non-approved cutting tools and fixing devices of cutting tools, or accessories.

**First Aid**

In case of accident make sure that a first-aid box is available in the vicinity of the cutting operations. Immediately replace any item taken from the first aid box.

**When asking for help, please give the following information:**

- Place of accident
- What happened
- Number of injured persons
- Kind of injuries
- Your name



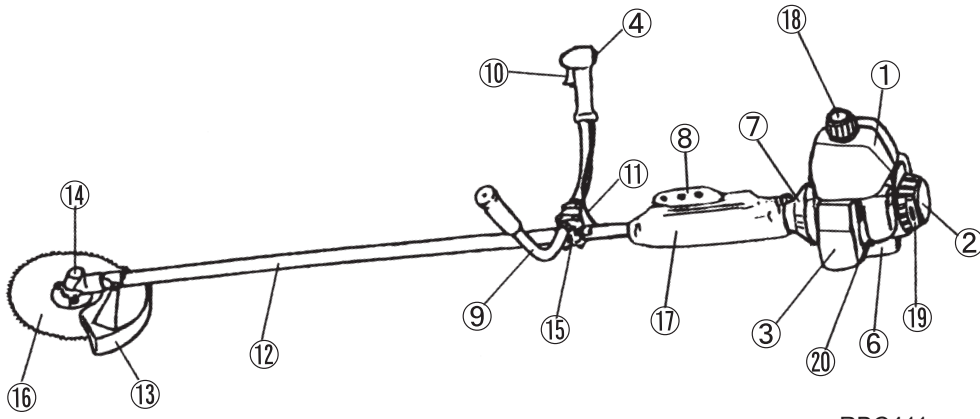
## TECHNICAL DATA

Model	RBC411		RBC411U	
	U handle			
Dimensions: length x width x height (without cutting blade)	mm	1,705 x 620 x 435		1,710 x 670 x 430
Mass (without plastic guard and cutting blade)	kg	7.3		
Volume (fuel tank)	L	1.1		
Engine displacement	cm <sup>3</sup>	40.2		
Maximum engine performance	kW	1.47 at 7,000 min <sup>-1</sup>		
Engine speed at recommended max. spindle speed	min <sup>-1</sup>	10,000		
Maximum spindle speed (corresponding)	min <sup>-1</sup>	6,800		
Fuel consumption	kg/h	0.98 (32.8 oz/h)		
Specific fuel consumption	g/kWh	1134.5 (29.9 oz/kwh)		
Idling speed	min <sup>-1</sup>	2,800		
Clutch engagement speed	min <sup>-1</sup>	3,600		
Carburetor		Float - carburetor type		
Ignition system	type	Solid state ignition		
Spark plug	type	NGK BPM7A		
Electrode gap	mm	0.6 – 0.7		
Mixture ratio (Fuel: MAKITA 2-stroke oil)		25 : 1		
Gear ratio		13/19		

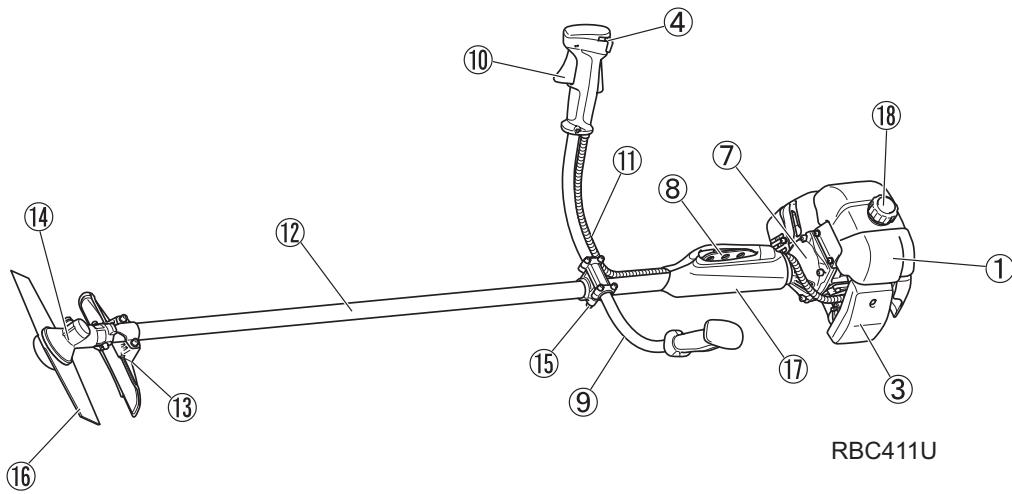
1) The data takes equally into account the idling and racing or wide open throttle speed operating modes.

RBC411U: This model adapts for use with gasoline E20.

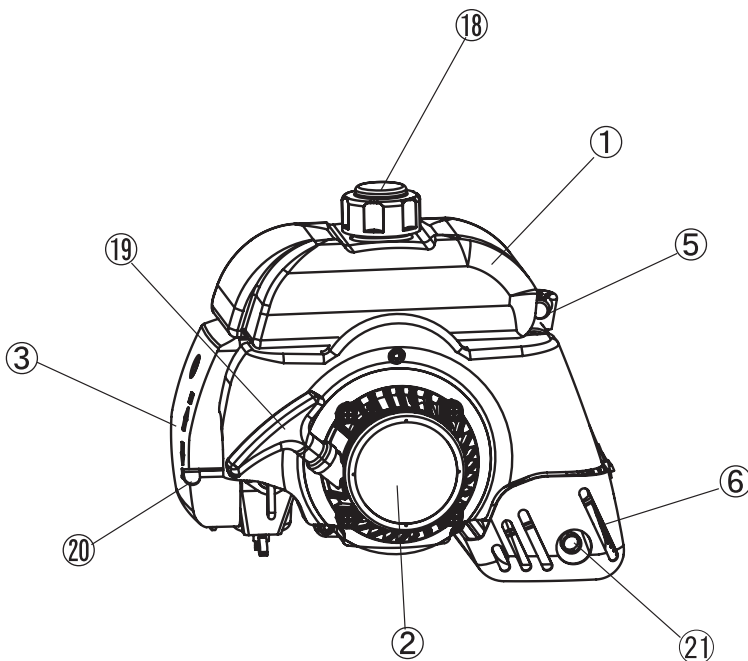
## DESIGNATION OF PARTS



RBC411



RBC411U



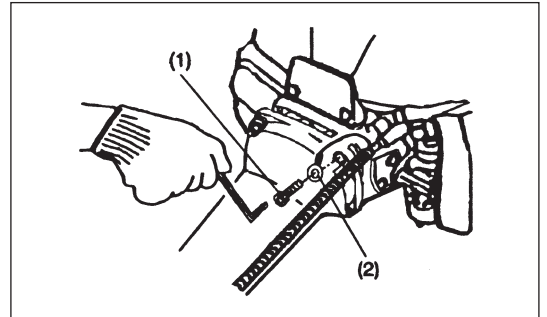
GB	DESIGNATION OF PARTS
1	Fuel Tank
2	Rewind Starter
3	Air Cleaner
4	I-O Switch (on/off)
5	Spark Plug
6	Exhaust Muffler
7	Clutch Case
8	Hanger
9	Handle
10	Throttle Lever
11	Throttle wire
12	Shaft
13	Protector
14	Gear Case
15	Handle Holder
16	Cutter Blade
17	Waist Pad
18	Fuel Filler Cap
19	Starter Knob
20	Choke Lever
21	Exhaust Pipe

## ASSEMBLY OF ENGINE AND SHAFT

CAUTION: Before doing any work on the brushcutter, always switch off the motor and pull the spark plug connector off the spark plug.  
Always wear protective gloves.

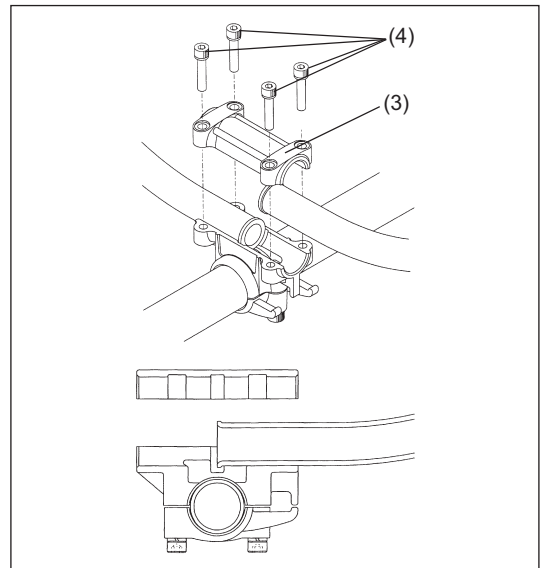
CAUTION: Start the brushcutter only after having assembled it completely.

- After checking the parts, fasten the drive shaft to the engine with four bolts M6 x 22 (1). At this time, fasten also the earth terminal (2) of the stop cord to the engine.



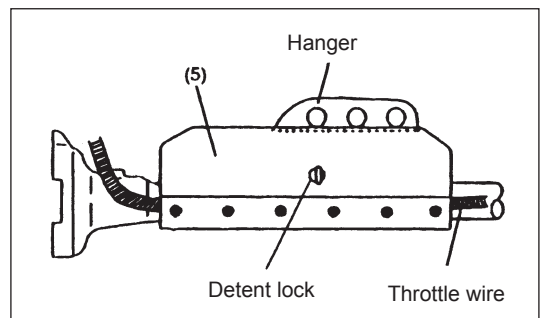
## MOUNTING OF HANDLE

- Place the handle with the throttle lever on the handle holder on the right side (to be held by the right hand) and the other on the left side.
- Fit the handle edge to the handle holder groove, and provisionally fix the upper side (3) of the handle holder by four bolts M5 x 25 (4).
- Adjust the handle to an angle easy to manipulate, and tighten the bolt (4) uniformly on the right and left sides.



- Mount the waist pad (5). When the waist pad is mounted, be sure to confirm that the wires do not move horizontally.
- Avoid any tendency of the throttle wire to loop at the handle bar.

The purpose of the detent lock is to prevent the engine from rotating relative to the drive shaft while operating the starter or transporting the equipment from place to place. The detent should be unlocked while the unit is being used.



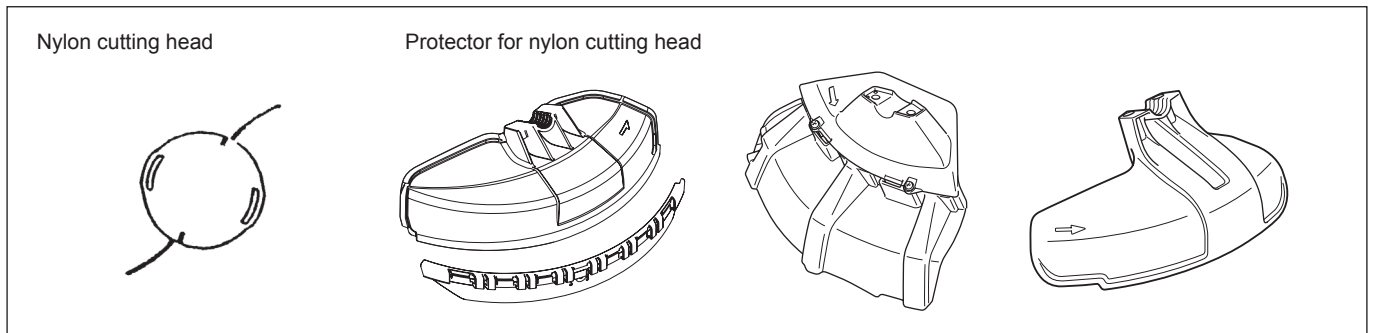
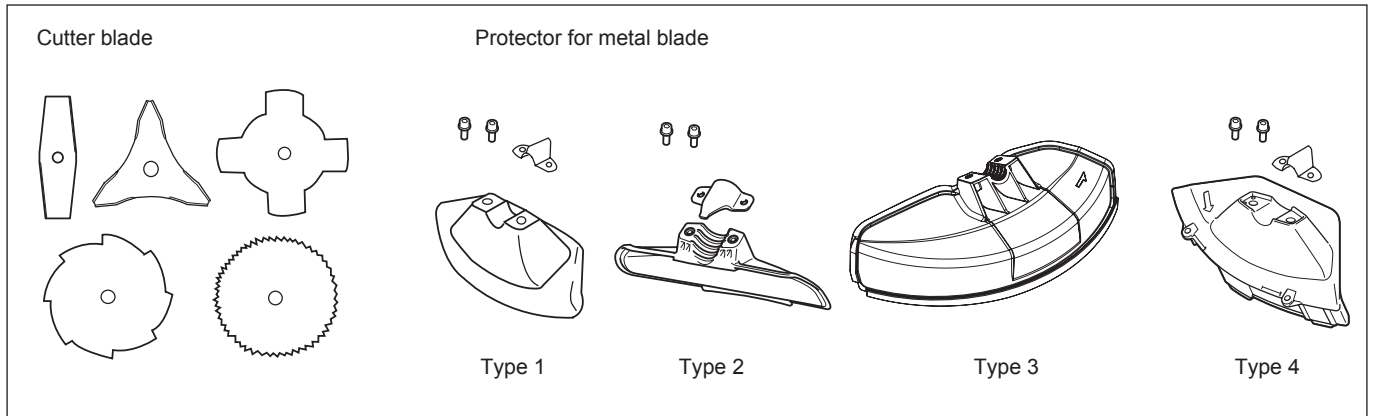
## MOUNTING OF PROTECTOR

To meet the applicable safety provisions, only the tool/protector combinations as indicated in the table must be used.



### Be sure to use genuine MAKITA cutter blade or nylon cutting head.

- The cutter blade must be well polished, free of cracks or breakage.
- If the cutter blade hits against a stone during operation, stop the engine and check the blade immediately.
- Polish or replace the cutter blade every three hours of operation.
- The outside diameter of the cutter blade must be 255 mm (10"). Cutter blades with outside diameter of 305 mm or 12 inches can be used only for those with two or three blades.



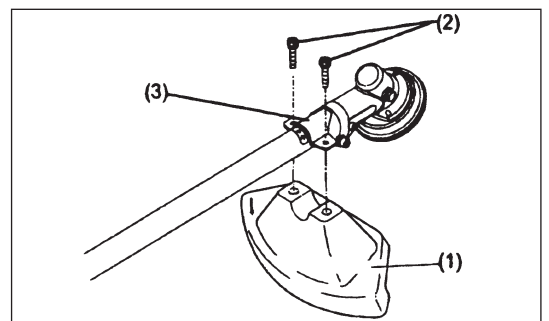
**CAUTION:** The appropriate protector must always be installed, for your own safety and in order to comply with accident-prevention regulations. Operation of the equipment without the guard being in place is not permitted.

### Type 1, 2

- Fix the protector (1) to the clamp (3) with two bolts M6 x 30 (2).

**NOTE:** Tighten the right and left bolts evenly so that the gap between the clamp (3) and the protector (1) will be constant. Otherwise, the protector sometimes may not function as specified.

**CAUTION:** The outside diameter of the cutter blade must be 255 mm (10"). Cutter blades with outside diameter of 305 mm or 12 inches can be used only for those with two or three blades.





### Type 3

- In use of the metal blade, fix the protector (3) to the clamp (2) with two bolts (1).

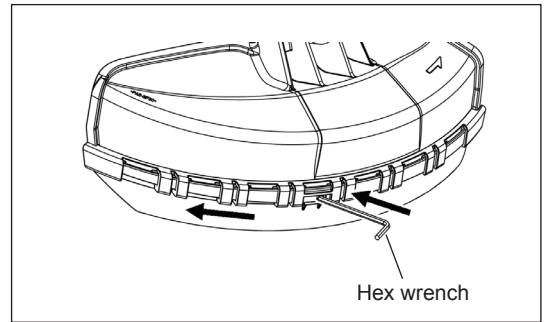
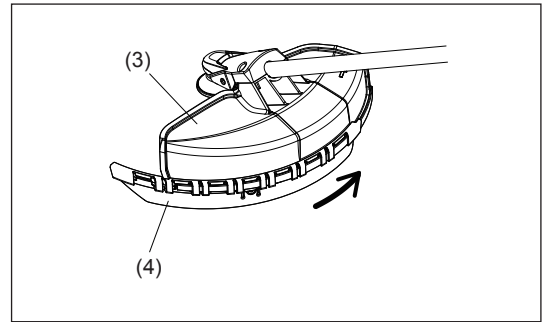
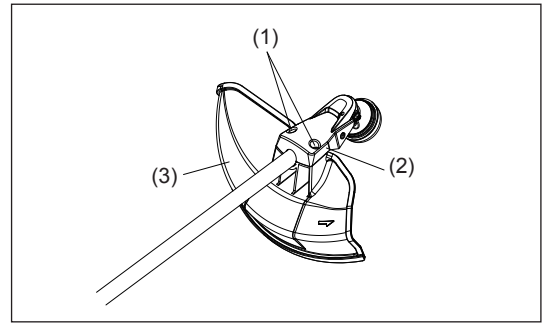
NOTE: Tighten the right and left bolts evenly so that the gap between the clamp (2) and the protector (3) will be constant. Otherwise, the protector sometimes may not function as specified.

CAUTION: The outside diameter of the cutter blade must be 255 mm (10"). Cutter blades with outside diameter of 305 mm or 12 inches can be used only for those with two or three blades.

- In cases where the nylon cord cutter is to be used, be sure to mount the nylon cord cutter protector (4) onto the metal blade protector (3).
- Mount the nylon cord cutter protector (4) by sliding it into place from the flank of the metal blade protector (3) as shown.
- Remove tape adhered to cutter, which cuts nylon cord, on nylon cord cutter protector (4).

CAUTION: Be sure to push in nylon cord cutter protector (4) until it is fully inserted. Take care not to injure yourself on the cutter for cutting the nylon cord.

- To remove the nylon cord cutter protector (4), apply a hex wrench into the notch on the metal blade protector (3), push it in and meanwhile slide the nylon cord cutter protector (4).



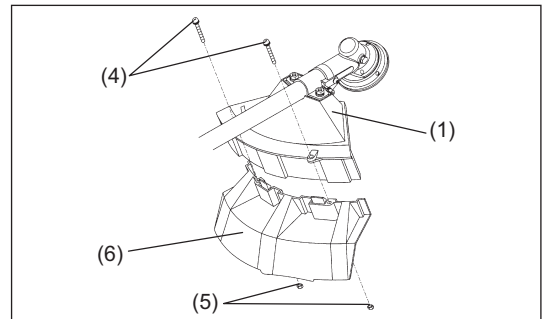
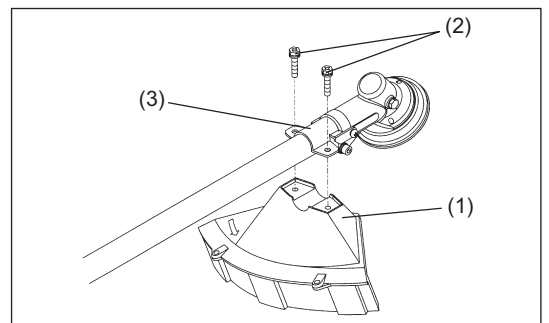
### Type 4

- Fix the protector (1) to the clamp (3) with two bolts M6 x 30 (2).

NOTE: Tighten the right and left bolts evenly so that the gap between the clamp (3) and the protector (1) will be constant. Otherwise, the protector sometimes may not function as specified.

CAUTION: The outside diameter of the cutter blade must be 255mm (10"). Never use any blades surpassing 255mm (10") in outside diameter.

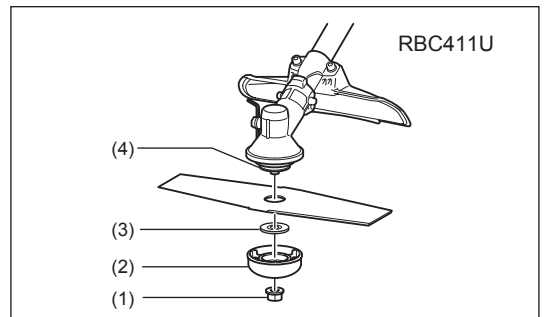
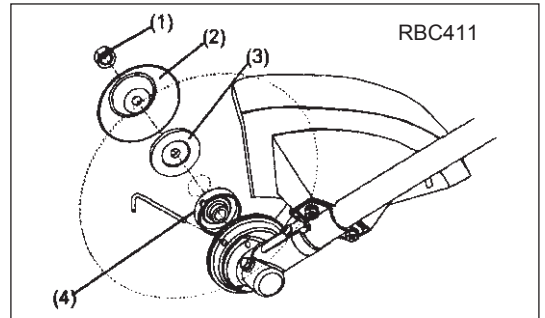
- In use of the nylon cutting head insert the protector (6) into the protector (1), and fasten them with two screw (4) and two nuts (5).



## MOUNTING OF CUTTER BLADE



- Insert the hex wrench through the hole in the gear case and rotate the receiver washer (4) until it is locked with the hex wrench.
- Loosen the nut (1) (left-hand thread) with the socket wrench and remove the nut (1), cup (2), and clamp washer (3).



### Mounting of cutter blade

With the hex wrench still in place.

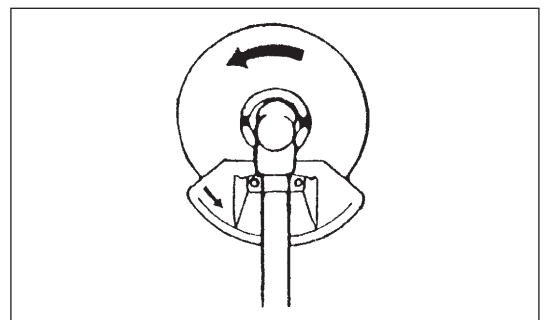
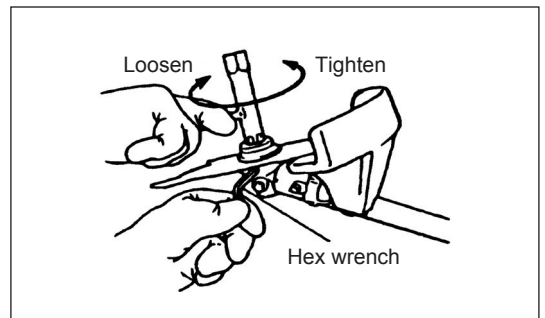
- Mount the cutter blade onto the shaft so that the guide of the receiver washer (4) fits in the arbor hole in the cutter blade. Install the clamp washer (3), cup (2), and secure the cutter blade with the nut (1).  
[Tightening torque: 13 - 23 N·m]

NOTE: Always wear gloves when handling the cutter blade.

NOTE: The cutter blade-fastening nut (with coned disc spring) is a consumable part.

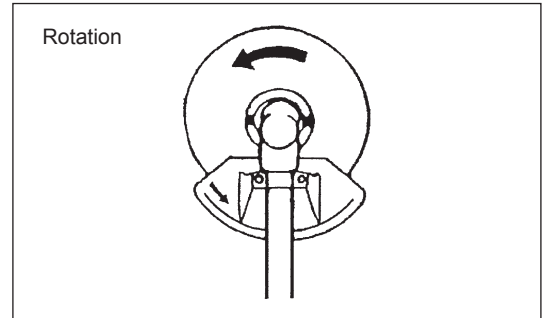
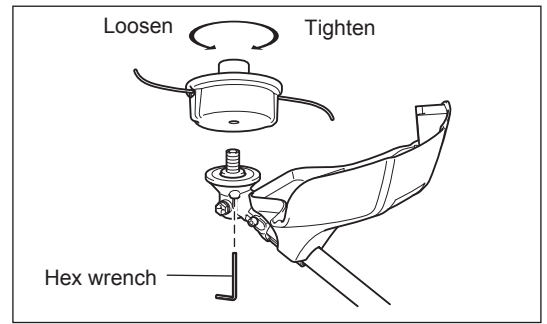
If there appears any wear or deformation on the coned disc spring washer, replace the nut.

Make sure that the blade is the left way up.



### Mounting of nylon cutting head

- The clamp washer (3), cup (2), and nut (1) are not necessary for mounting the nylon cutting head. The nylon cutting head should go on top of the receiver washer (4).
- Insert the hex wrench through the hole in the gear case and rotate the receiver washer (4) until it is locked with the hex wrench.
- Then screw the nylon cutting head onto the shaft by turning it counter-clockwise.
- Remove the hex wrench.





## Handling petroleum products

Utmost care is required when handling fuel. Fuel may contain substances similar to solvents. Refuel either in a well ventilated area or outdoors. Do not inhale fuel vapors, avoid any contact of fuel or oil with your skin.

Mineral oil products degrease your skin. If your skin comes in contact with these substances repeatedly and for an extended period of time, various skin diseases may result. In addition, allergic reactions are known to occur. Eyes can be irritated by contact with oil, fuel etc.

If oil comes into your eyes, immediately wash them with clear water.

If your eyes are still irritated, see a doctor immediately.



Observe the Safety Instructions on page 4!

## Fuel and oil mixture

The engine of the brushcutter is a high-efficiency two-stroke engine. It is run with a mixture of fuel and two-stroke engine oil. The engine is designed to use unleaded regular fuel with a min. Octane value of 91 RON. If no such fuel is available, you can use fuel with a higher octane value. This will not affect the engine, but may cause poor operating behavior.

A similar situation will arise from the use of leaded fuel. To obtain optimum engine performance and to protect your health and the environment, only unleaded fuel should be used!

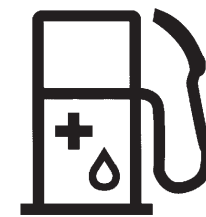
RBC411U: This model adapts for use with gasoline E20.



For engine lubrication use a two-stroke engine oil (quality grade: TC-3), which is added to the fuel. The engine has been designed to use MAKITA two-stroke engine oil at mixture ratio of 25:1 to protect the environment. In addition, a long service life and reliable operation with a minimum emission of exhaust gasses is assured. It is absolutely essential to observe a mixture ratio of 25:1 MAKITA 2-stroke engine oil. Otherwise reliable function of the brushcutter cannot be guaranteed.

### The correct mixture ratio:

Mix 25 parts gasoline with 1 part MAKITA 2-stroke engine oil (see table on right).

**NOTE: For preparing the fuel-oil mixture first mix the entire oil quantity with half of the fuel required in an approved can which meets or exceeds all local code standards, then add the remaining fuel. Thoroughly shake the mixture before filling it into the brushcutter tank. It is not wise to add more engine oil than specified to ensure safe operation. This will only result in a higher production of combustion residues which will pollute the environment and clog the exhaust channel in the cylinder, the spark plugs as well as the muffler. In addition, fuel consumption will rise and the performance will be decreased.**



Gasoline (premium unleaded)	+	25:1 OIL
		
1,000 cc (1L)		40 cc
5,000 cc (5L)		200 cc
10,000 cc (10L)		400 cc

## Refuelling

Never perform refuelling operations in a closed, unventilated area.

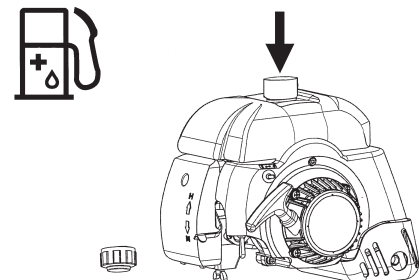
### The engine must be switched off!

- Thoroughly clean the area around the gas cap, to prevent dirt from getting into the fuel tank.
- Unscrew the gas cap and fill the tank with fuel.
- Never fill the fuel tank to the very top.
- Securely screw on the gas cap.
- Wipe the screw plug and tank with an absorbent after refuelling!  
Allow cloths to dry and discard in a proper container.

## Storage of Fuel

Fuel cannot be stored for an unlimited period of time.

Purchase only the quantity required for a 4 week operating period. Only use approved fuel storage containers.



## CORRECT HANDLING OF MACHINE

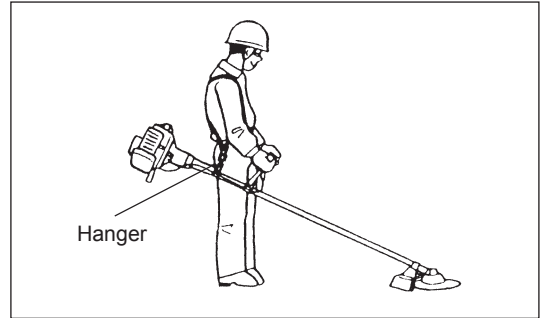


Either type I or II below is included in the tool package. Always wear the shoulder harness when operating the brushcutter.

### Type I

#### Attachment of shoulder harness

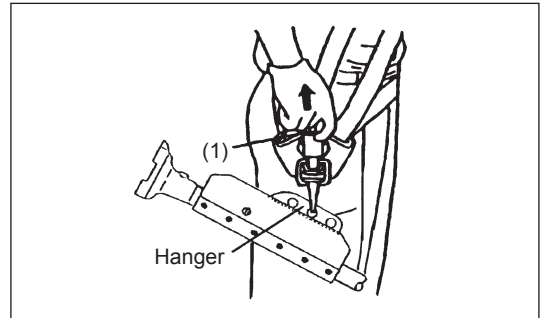
- Adjust the strap length so that the cutter blade will be kept parallel with the ground.



#### Detachment

- In case of emergency, remove the emergency detachment lever (1) by pulling strongly with a finger. The machine will detach from body. Be extremely careful to maintain control of the machine at this time. Do not allow the machine to be deflected toward you or anyone in the work vicinity.

WARNING: Failure to maintain complete control of the machine at all could result in serious bodily injury or DEATH.

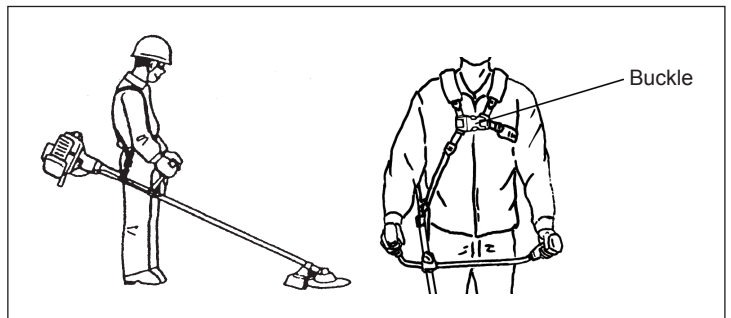


### Type II

#### Attachment of shoulder harness

- Adjust the strap length so that the cutter blade will be kept parallel with the ground.

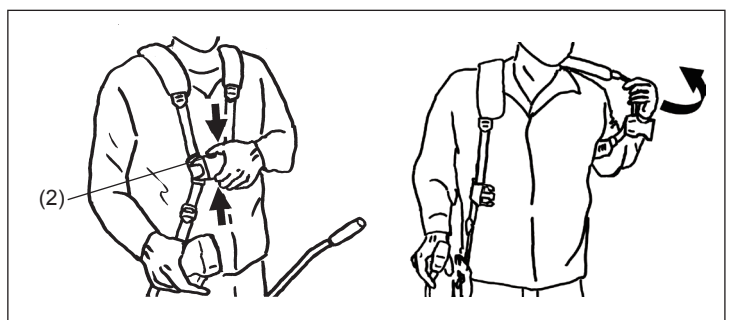
NOTE: Be careful not to trap clothing, etc., in the buckle.



#### Detachment

- In case of emergency, push the notches (2) at both sides, and you can detach the machine from you. Be extremely careful to maintain control of the machine at this time. Do not allow the machine to be deflected toward you or anyone in the work vicinity.

WARNING: Failure to maintain complete control of the machine at all could result in serious bodily injury or DEATH.



## PUTTING INTO OPERATION

Observe the applicable accident prevention regulations!



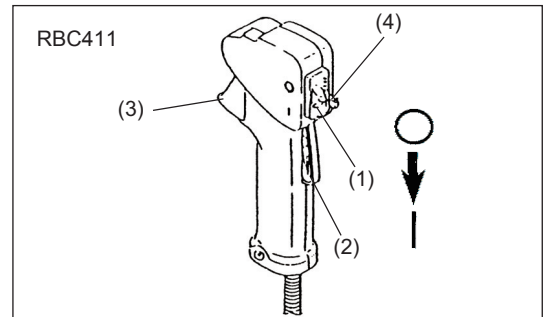
### Starting

Move at least 3m (10ft) away from the place of refuelling. Place the brushcutter on a clean piece of ground taking care that the cutting tool does not come into contact with the ground or any other objects.

#### Cold start

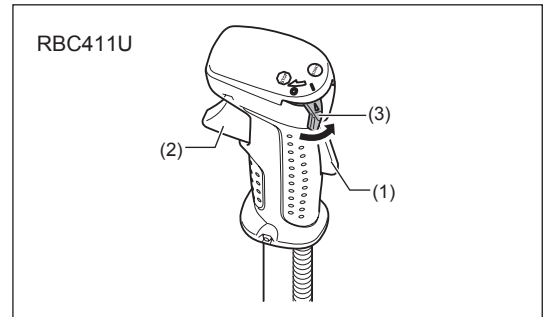
##### • For RBC411

- Push the I-O switch (1) in the direction shown by the arrow.
- Grasp the handle (hand pressure activates the safety lock-off lever (2)).
- Press the throttle lever (3) and hold it down.
- Press the lock button (4) and release the control lever, and then release the lock button (the lock button holds the throttle lever in the start-up position).

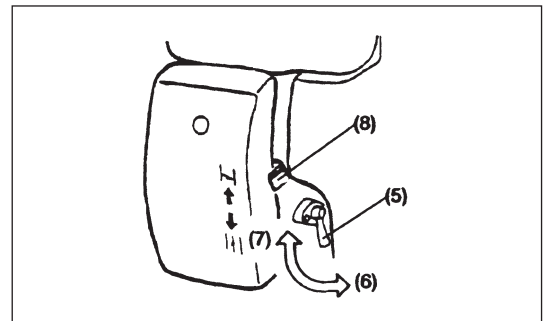


##### • For RBC411U

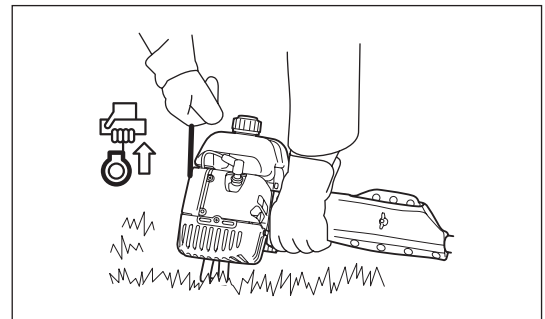
- Grasp the handle (hand pressure activates the safety lock-off lever (1)).
- Press the throttle lever (2) and hold it down.
- Push the I-O switch (3) to START.



- First place the machine on the ground.
- Open the fuel valve. The valve opens when the lever (5) is at right angles to the ground (6). The valve closes when the lever is parallel with the ground (7).
- Move the choke lever (8) to the top position (I-|).



- Firmly hold the clutch case by your left hand, as illustrated.
- Slowly pull the starter grip until resistance is felt and continue with a smart pull.
- Do not pull out the starter rope to its full extent and do not allow the starter handle to be retracted without control, but ensure that it is retracted slowly.
- Repeat the starting operation until initial ignitions are heard.
- Depress the choke lever (I-|) and pull the starter rope again until the engine starts.
- As soon as the engine starts, immediately tap and release the throttle, thus releasing the half-throttle lock so that the engine can run in idle.
- Run the engine for approximately one minute at a moderate speed before applying full throttle.



#### Caution during operation:

If the throttle lever is opened fully in a no-load operation, the engine rotation is increased to 10,000 min<sup>-1</sup> or more. Never operate the engine at a higher speed than required and at an approximate speed of 6,000 - 8,000 min<sup>-1</sup>.



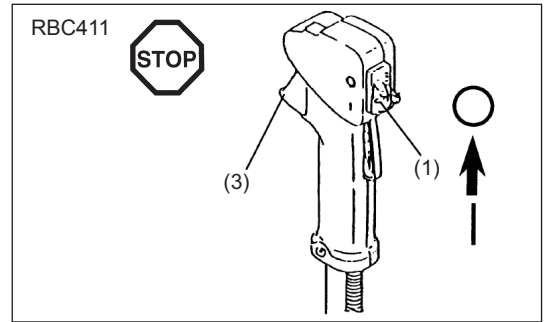
### Starting the warm engine

- As described above, except without moving the choke lever (choke lever remains in the down position).

### Stopping

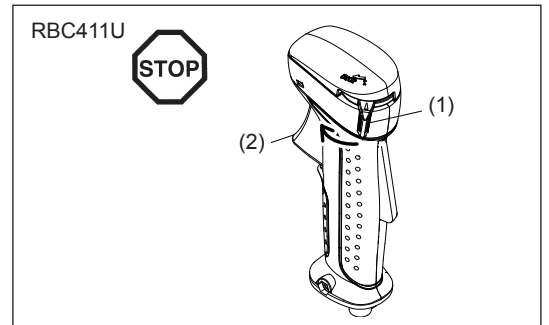
#### • For RBC411

- Release the control lever (3) fully, and when the engine speed has lowered, push the I-O switch (1) to "O" position the engine will now stop.



#### • For RBC411U

- 1) Release the throttle lever (2) fully, and when the engine rpm has lowered, set the I-O switch (1) to STOP the engine will now stop.
- 2) Be aware that the cutting head may not stop immediately and allow it to slow down fully.

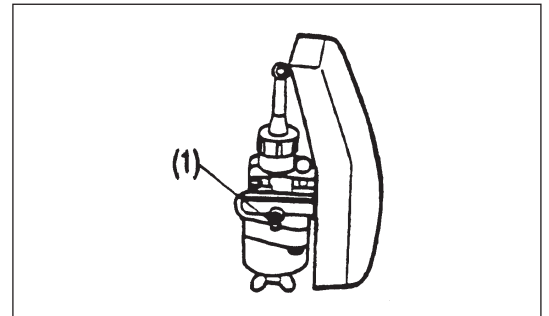


## IDLE ADJUSTMENT

The cutter blade or the nylon cutting head should not run when the control lever is fully released. If necessary, adjust the idle rpm using the idle adjusting screw.

### Checking the idling speed

- Idle speed should be set to 2,600 min<sup>-1</sup>.  
If necessary correct it by means of the idle screw (the blade or the nylon cutting head must not turn when the engine is at idle).  
Screwing in the screw (1) will cause an increase in the engine speed, whereas backing off the screw will reduce the engine speed.



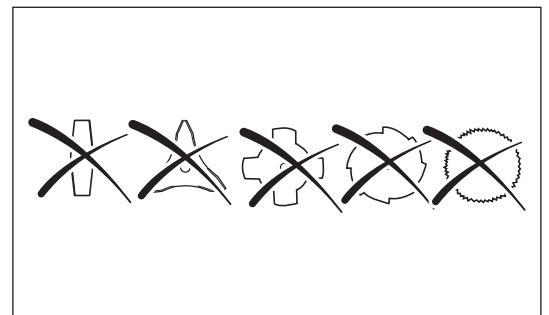
## RESHARPENING THE CUTTING TOOL



CAUTION: The cutting tools mentioned below must only be reshaped by an authorized facility. Manual sharpening will result in imbalances of the cutting tool causing vibrations and damage to the equipment.

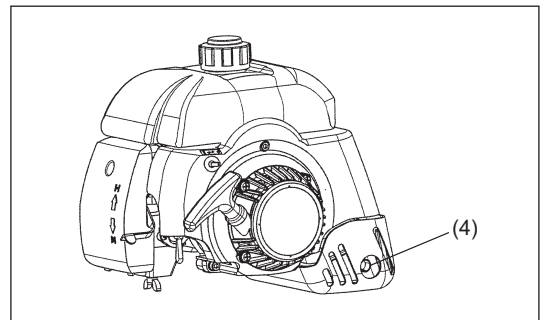
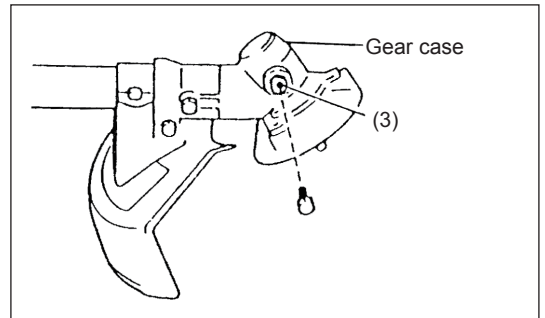
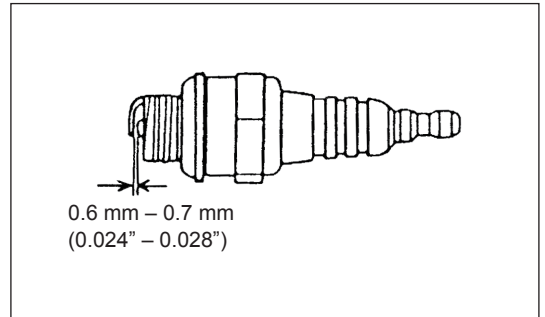
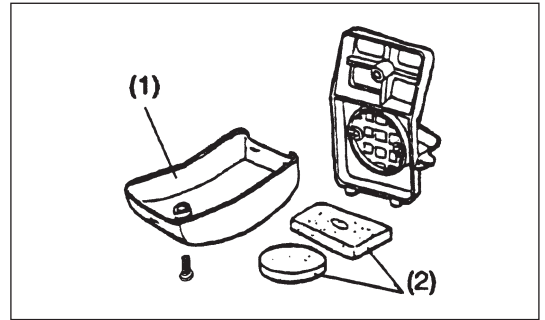
- cutter blade  
An expert sharpening and balancing service is provided by Authorized Service Agents.

NOTE: To increase the service life of the cutter blade (star blade, eddy blade, saw blade) it may be turned over once, until both cutting edges have become blunt.



## MAINTENANCE SCHEDULE

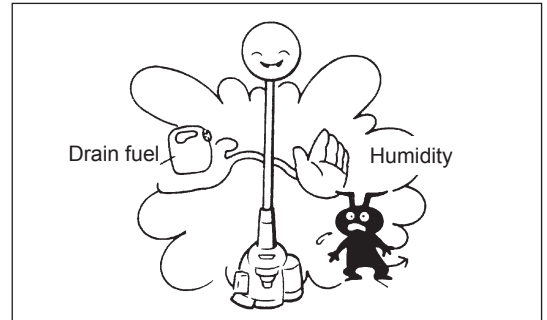
1. Before operation, pay particular attention to the tightness of Cutter Blade or nylon cutting head.  
Check bolts and nuts and retighten if necessary.: Every 8 hours (Daily)
2. Check clogging of the cooling air passage and the cylinder fins. Clean them if necessary.: Every 8 hours (Daily)
3. Cleaning of air cleaner.: Every 8 hours (Daily)
  - 1) Remove the air cleaner cover (1) and clean the sponge element (2).  
If there is excessive dust or dirt adhering to cleaner, clean it.  
A clogged air cleaner may make it difficult or impossible to start the engine or increase the engine rotational speed.
  - 2) Install the sponge element around the ribs of the air cleaner case.
4. Checkup of spark plug.: Every 8 hours (Daily)  
The gap between the two electrodes of the spark plug should be 0.6 to 0.7 mm (0.024" to 0.028").  
If the gap is too wide or too narrow, adjust it.  
If the spark plug is clogged with carbon or fouled, clean it thoroughly or replace it.
5. Supply of grease to gear case.  
Apply grease (SHELL ALVANIA No. 3 or equivalent) to the gear case through the grease hole (3) every 30 hours.  
(Genuine MAKITA grease may be purchased from your MAKITA dealer.)
6. Cleaning of muffler exhaust port: Every 50 hours (Monthly)  
If the exhaust port (4) is clogged with carbon, remove it by scraping and tapping gently with a screwdriver or the like.
7. Check of fuel filter. If clogged, clean the filter.
8. Replace fuel lines.: Every 200 hours (Yearly)
9. Overhaul engine.: Every 200 hours (Yearly)
10. Replace packings and gaskets with new ones.: Every time engine is reassembled.



General	Engine assembly, screws and nuts	Visual inspection for damage and tightness Check for general condition and security
After each refuelling	Throttle lever Safety lock key ON-OFF switch	Functional check Functional check Functional check
Daily	Sponge element (air filter) Cooling air duct Cutting blade Idling speed	To be cleaned To be cleaned Check for damage and sharpness Inspection (cutting tool must not move)
Weekly	Spark plug Muffler	Inspection, replace if necessary Check and if necessary clean the opening
Quarterly	Suction head (gas line filter) Fuel tank	To be replaced To be cleaned
Shutting down procedure	Fuel tank Carburetor	Empty fuel tank Operate until engine runs out of fuel

## STORAGE

- When the machine is in storage for a long time, drain fuel from the fuel tank and carburetor, as follows: Drain all fuel from the fuel tank. Dispose of properly and in accordance with all local laws.
- Remove the spark plug and a few drops of oil into the spark plug hole. Then, pull the starter gently, so that oil covers the engine inside and tighten the spark plug.
- Clear dirt or dust from the cutter blade and outside of engine, wipe them with a oil-immersed cloth and keep the machine in a place as dry as possible.



## Fault location

Fault	System	Observation	Cause
Engine not starting or with difficulty	Ignition system	Ignition spark O.K.	Fault in fuel supply or compression system, mechanical defect
		No ignition spark	I-O switch operated, wiring fault or short circuit, spark plug or connector defective, ignition module faulty
	Fuel supply	Fuel tank filled	Incorrect choke position, carburetor defective, fuel supply line bent or blocked, fuel dirty
	Compression	No compression when pulled over	Cylinder bottom gasket defective, crankshaft seals damaged, cylinder or piston rings defective or improper sealing of spark plug
	Mechanical fault	Starter not engaging	Broken starter spring, broken parts inside of the engine
Warm start problems		Tank filled ignition spark existing	Carburetor contaminated, must be cleaned
Engine starts but dies immediately	Fuel supply	Tank filled	Incorrect idling adjustment, carburetor contaminated Fuel tank vent defective, fuel supply line interrupted, cable or I-O switch faulty
Insufficient performance	Several systems may simultaneously be affected	Engine idling poor	Air filter contaminated, carburetor contaminated, muffler clogged, exhaust duct in the cylinder clogged

## TROUBLESHOOTING

Before making a request for repairs, check a trouble for yourself. If any abnormality is found, control your machine according to the description of this manual. Never tamper or dismount any part contrary to the description. For repairs, contact Authorized Service Agent or local dealership.

State of abnormality	Probable cause (malfunction)	Remedy
Engine does not start	Low pulling speed of starter rope	Pull strongly
	Lack of fuel	Feed fuel
	Clogged fuel filter	Clean
	Broken fuel tube	Straighten fuel tube
	Deteriorated fuel	Deteriorated fuel makes starting more difficult. Replace with new one. (Recommended replacement: 1 month)
	Excessive suction of fuel	Set throttle lever from medium speed to high speed, and pull starter handle until engine starts. <b>Once engine starts, cutter blade starts rotating. Pay full attention to cutter blade.</b> If engine will not start still, remove spark plug, make electrode dry, and reassemble them as they originally are. Then, start as specified.
	Detached plug cap	Attach securely
	Contaminated spark plug	Clean
	Abnormal clearance of spark plug	Adjust clearance
	Other abnormality of spark plug	Replace
	Abnormal carburetor	Make request for inspection and maintenance.
	Starter rope cannot be pulled	Make request for inspection and maintenance.
	Abnormal drive system	Make request for inspection and maintenance.
Engine stops soon Engine speed does not increase	Insufficient warm-up	Perform warm-up operation
	Choke lever is set to "CLOSE" although engine is warmed up.	Set to "OPEN"
	Clogged fuel filter	Clean
	Contaminated or clogged air cleaner	Clean
	Abnormal carburetor	Make request for inspection and maintenance.
	Abnormal drive system	Make request for inspection and maintenance.
Cutter blade does not rotate ↓ Stop engine immediately	Loosened cutter blade-tightening nut	Tighten securely
	Twigs caught by cutter blade or dispersion-preventing cover.	Remove foreign matter
	Abnormal drive system	Make request for inspection and maintenance.
Main unit vibrates abnormally ↓ Stop engine immediately	Broken, bent or worn cutter blade	Replace cutter blade
	Loosened cutter blade-tightening nut	Tighten securely
	Shifted convex part of cutter blade and cutter blade support fitting.	Attach securely
	Abnormal drive system	Make request for inspection and maintenance.
Cutter blade does not stop immediately ↓ Stop engine immediately	High idling rotation	Adjust
	Detached throttle wire	Attach securely
	Abnormal drive system	Make request for inspection and maintenance.
Engine does not stop ↓ Run engine at idling, and set choke lever to CLOSE	Detached connector	Attach securely
	Abnormal electric system	Make request for inspection and maintenance.

When the engine does not start after warm-up operation:

If there is no abnormality found for the check items, open the throttle by about 1/3 and start the engine.

Terima kasih telah memilih pemotong semak MAKITA. Kami bangga dapat menawarkan kepada Anda produk pemotong semak MAKITA yang merupakan hasil program pengembangan yang panjang dan akumulasi pengetahuan dan pengalaman bertahun-tahun.

Bacalah, pahami, dan ikuti buklet ini yang secara terperinci mengungkapkan berbagai poin yang akan menunjukkan kinerjanya yang unggul. Ini akan membantu Anda mendapatkan hasil maksimal dari pemotong semak MAKITA Anda.



Daftar Isi	Halaman
Simbol-simbol.....	21
Petunjuk keselamatan.....	22
Data teknis.....	26
Penamaan bagian.....	27
Perakitan mesin dan tangkai.....	28
Pemasangan gagang.....	28
Pemasangan pelindung.....	29
Pemasangan bilah pemotong.....	31
Bahan bakar/pengisian bahan bakar.....	33
Penanganan-mesin yang benar.....	34
Mengoperasikan.....	35
Menajamkan kembali alat pemotong.....	36
Jadwal pemeliharaan.....	37
Penyimpanan.....	38

## SIMBOL-SIMBOL

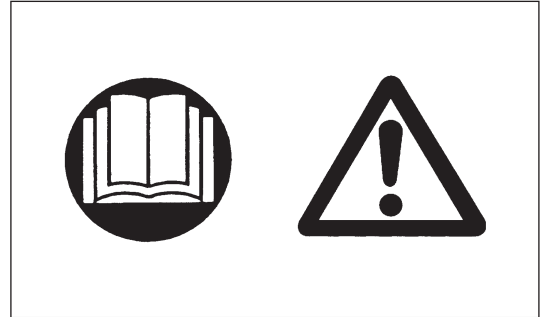
Anda akan melihat simbol-simbol berikut ini saat membaca petunjuk penggunaan.

	Bacalah petunjuk penggunaan		Jagalah area kerja selalu bebas dari orang dan hewan peliharaan
	Perhatikan dan berhati-hatilah		Kenakan helm pengaman, pelindung mata, dan pelindung telinga
	Dilarang		Kecepatan tertinggi mesin yang diperbolehkan
	Jaga jarak		Campuran bahan bakar dan oli
	Bahaya benda beterbangan		Mesin-Penghidupan secara manual
	Dilarang merokok		Penghentian darurat
	Dilarang menyalakan api		Pertolongan Pertama
	Sarung tangan pelindung harus dipakai		ON/START (HIDUP/MULAI)
	Kenakan sepatu yang kuat dengan sol antiselip. Sepatu pengaman dengan pelindung ujung dari baja adalah yang dianjurkan.		OFF/STOP (MATI/BERHENTI)
	Tendang-balik		

## PETUNJUK KESELAMATAN

### Petunjuk Umum

- Bacalah petunjuk penggunaan ini untuk membiasakan diri dengan penanganan alat ini. Pengguna yang pemahamannya kurang akan menghadapi risiko bahaya bagi dirinya sendiri dan juga orang lain akibat penanganan yang tidak benar.
- Dianjurkan untuk hanya meminjamkan alat ini kepada orang yang telah terbukti berpengalaman. Selalu serahkan juga petunjuk penggunaan ini.
- Pengguna pertama-kali harus meminta petunjuk dasar dari toko tempat membeli alat ini untuk membiasakan diri dengan penanganan pemotong semak.
- Anak-anak dan orang muda yang berusia kurang dari 18 tahun harus dilarang mengoperasikan alat ini. Namun demikian, mereka yang berusia lebih dari 16 tahun boleh menggunakan perangkat ini untuk tujuan pelatihan di bawah pengawasan pelatih yang berkualifikasi.
- Gunakan dengan kehati-hatian dan perhatian maksimal.
- Operasikan hanya jika Anda berada dalam kondisi fisik yang baik. Lakukan semua pekerjaan dengan tenang dan hati-hati. Pengguna harus bertanggung jawab atas orang lain.
- Jangan sekali-kali menggunakan alat ini setelah mengonsumsi alkohol atau obat, atau jika merasa lelah atau sakit.
- Peraturan nasional dapat membatasi penggunaan mesin ini.

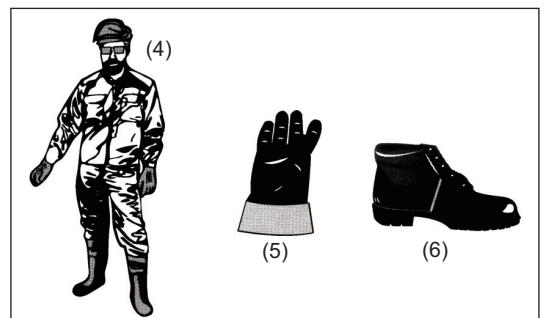
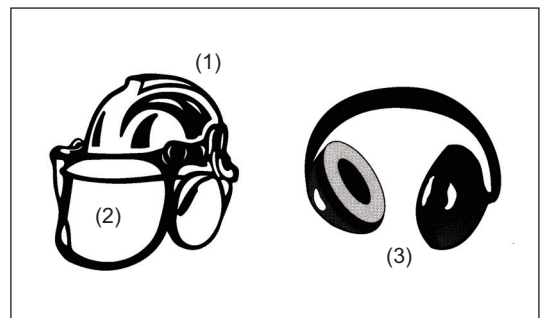


### Maksud penggunaan mesin

- Alat ini dimaksudkan hanya untuk memotong rumput, gulma, semak, dan perdu kecil. Alat ini sebaiknya tidak digunakan untuk tujuan lain seperti merapikan tepian atau memotong tanaman pagar karena dapat menimbulkan cedera.

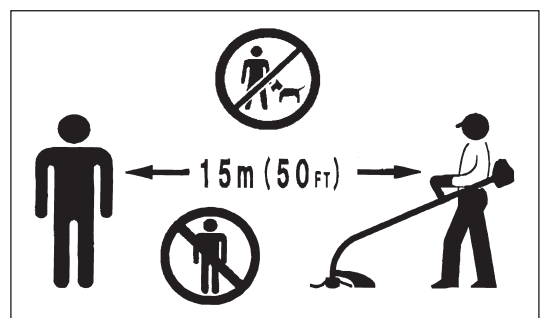
### Alat pelindung diri

- Pakaian yang dikenakan haruslah fungsional dan sesuai, yaitu harus terpasang pas tetapi tidak menghambat. Jangan mengenakan perhiasan atau pakaian yang dapat tersangkut pada semak atau belukar.
- Guna menghindari cedera kepala, mata, tangan, atau kaki di samping untuk melindungi pendengaran Anda, alat pelindung dan pakaian pelindung berikut ini harus dikenakan selama mengoperasikan.
- Selalu kenakan helm saat berada di tempat di mana ada risiko benda jatuh. Helm pelindung (1) harus diperiksa secara teratur dari kerusakan dan harus diganti setelah paling lama 5 tahun. Gunakan hanya helm pelindung yang disetujui.
- Kaca helm (2) (atau kaca mata) melindungi wajah dari serpihan dan batu yang beterbangan. Selama mengoperasikan, selalu kenakan kaca mata, atau kaca helm untuk mencegah cedera pada mata.
- Kenakan alat pelindung dari kebisingan yang memadai untuk menghindari kerusakan pendengaran (penutup telinga (3), sumbat telinga, dll.).
- Pakaian kerja terusan (4) akan melindungi tubuh dari batu dan serpihan yang beterbangan. Kami sangat menganjurkan pengguna untuk mengenakan pakaian kerja terusan.
- Sarung tangan (5) merupakan salah satu alat yang dianjurkan dan harus selalu dikenakan selama mengoperasikan.
- Saat menggunakan alat ini, selalu kenakan sepatu yang kuat (6) dengan sol antiselip. Ini akan melindungi Anda dari cedera dan memastikan tercapainya pijakan yang baik.



### Menghidupkan pemotong semak

- Pastikan tidak ada anak-anak atau orang lain dalam radius tempat kerja sejauh 15 meter (50 kaki), juga perhatikan binatang yang ada di dekat tempat kerja.
- Sebelum menggunakan, selalu pastikan alat aman untuk dioperasikan: Periksa keamanan alat pemotong, tuas gas, apakah mudah dioperasikan dan periksa apakah pengunci tuas gas berfungsi dengan benar.
- Alat pemotong harus tidak berputar selama mesin berjalan dalam kecepatan stasioner. Tanyakan kepada dealer terdekat perihal penyetulan jika Anda ragu. Pastikan gagang bersih dan kering dan uji fungsi sakelar mulai/henti (start/stop).



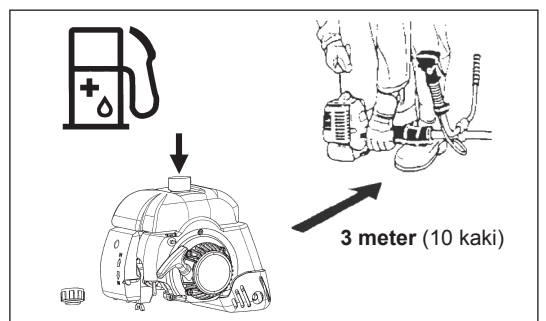
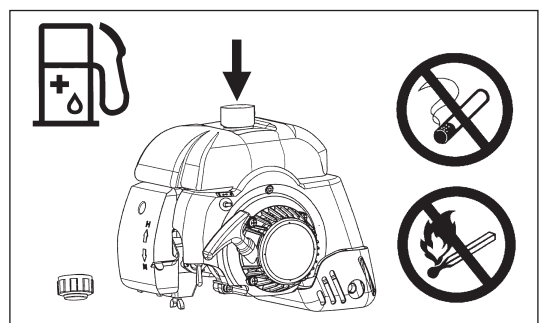
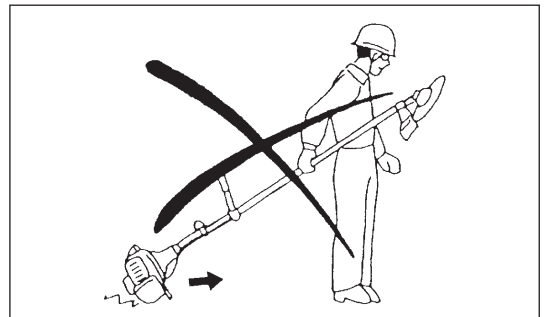
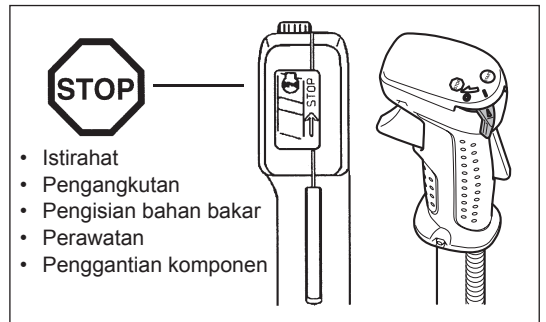
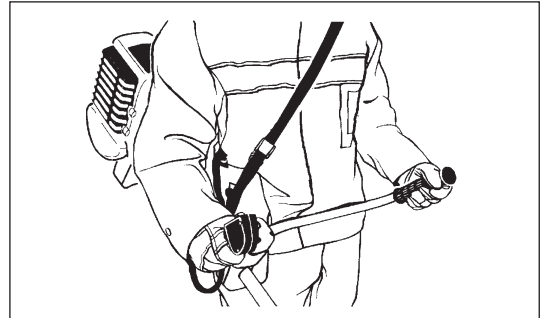
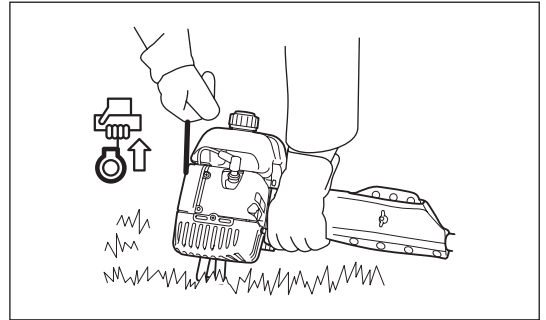


Hidupkan pemotong semak hanya dengan cara yang sesuai dengan petunjuk.

- Jangan menggunakan metode lain mana pun untuk menghidupkan mesin!
- Gunakan pemotong semak dan alat-alat kelengkapannya hanya untuk aplikasi-aplikasi sebagaimana ditentukan.
- Hidupkan mesin hanya setelah keseluruhan rangkaiannya lengkap. Pengoperasian perangkat ini diperbolehkan hanya setelah semua aksesoris yang sesuai dipasang!
- Sebelum menghidupkan, pastikan bahwa alat pemotong tidak bersentuhan dengan benda keras seperti cabang, batu, dll. karena alat pemotong akan berputar saat dihidupkan.
- Mesin harus langsung dimatikan apabila ada masalah mesin.
- Jika alat pemotong menghantam batu atau benda keras lainnya, segera matikan mesinnya dan periksa alat pemotong.
- Periksa alat pemotong sering-sering secara rutin dari kerusakan (deteksi retak rambut dengan cara uji suara-ketukan).
- Jika alat terkena benturan keras atau terjatuh, periksa kondisinya sebelum melanjutkan bekerja. Periksa sistem bahan bakar dari kebocoran dan tuas-tuas pengendali serta perangkat pengaman dari malfungsi. Jika ada kerusakan atau Anda ragu-ragu, mintalah pusat servis resmi kami memeriksa dan memperbaikinya.
- Operasikan alat hanya dengan tali bahu terpasang, yang harus disesuaikan dengan baik sebelum mulai mengoperasikan pemotong semak. Adalah sangat penting untuk menyatel tali bahu sesuai dengan ukuran pengguna demi mencegah kelelahan berlebihan saat menggunakan alat. Jangan sekali-kali memegang pemotong dengan satu tangan selama menggunakannya.
- Selama mengoperasikan, selalu pegang pemotong semak dengan kedua tangan. Selalu pastikan pijakan yang aman.
- Operasikan alat dengan cara yang akan menghindarkan terhirupnya gas buang mesin. Jangan sekali-kali menjalankan mesin di ruang tertutup (risiko keracunan gas). Karbon monoksida adalah gas yang tidak berbau.
- Matikan mesin saat beristirahat dan saat meninggalkan alat tanpa dijaga, dan tempatkanlah di lokasi yang aman demi mencegah timbulnya bahaya bagi orang lain atau kerusakan pada alat ini.
- Jangan sekali-kali meletakkan pemotong semak yang masih panas di atas rumput kering atau bahan mudah terbakar lainnya.
- Selalu pasang pelindung alat pemotong pada alat sebelum menghidupkan mesinnya. Jika tidak, terkena alat pemotong dapat menyebabkan cedera serius.
- Seluruh instalasi protektif dan pelindung yang disertakan bersama mesin harus digunakan selama pengoperasian.
- Jangan sekali-kali mengoperasikan mesin dengan peredam knalpot rusak.
- Matikan mesin selama pengangkutan.
- Saat mengangkut alat, selalu pasang penutup pada bilah pemotong.
- Pastikan posisi yang aman bagi alat selama pengangkutan dengan mobil guna menghindari kebocoran bahan bakar.
- Saat mengangkut, pastikan bahwa tangki bahan bakarnya benar-benar kosong.
- Saat menurunkan alat dari truk, jangan sekali-kali menjatuhkan Mesinnya ke tanah karena tindakan tersebut dapat membuat tangki bahan bakarnya rusak parah.
- Kecuali dalam keadaan darurat, jangan sekali-kali menjatuhkan atau melemparkan alat ke atas tanah karena tindakan itu dapat membuat alat rusak parah.
- Ingatlah untuk mengangkat keseluruhan alat dari tanah saat memindahkan alat. Menyeret tangki bahan bakar mesin sangatlah berbahaya dan akan menyebabkan kerusakan dan kebocoran bahan bakar, dan dapat menimbulkan kebakaran.

### Pengisian bahan bakar

- Selama mengisi bahan bakar, matikan mesin, jauhi nyala api, dan jangan merokok.
- Hindari persentuhan kulit dengan produk oli mineral. Jangan menghirup uap bahan bakar. Selalu kenakan sarung tangan pelindung saat mengisi bahan bakar. Ganti dan bersihkan pakaian pelindung secara teratur.
- Berhati-hatilah untuk tidak menumpahkan bahan bakar atau oli demi mencegah pencemaran tanah (perlindungan lingkungan). Bersihkan pemotong semak segera apabila ada bahan bakar yang tumpah.
- Hindarkan pakaian Anda dari terkena bahan bakar. Gantilah pakaian Anda segera jika terkena tumpahan bahan bakar (untuk mencegah pakaian tersulut api).
- Periksalah tutup bahan bakar secara teratur sambil memastikan bahwa tutup itu dapat dikencangkan dengan aman dan tidak bocor.
- Dengan hati-hati kencangkan tutup tangki bahan bakar. Pindahlah dari tempat itu untuk menghidupkan mesin (paling sedikit 3 meter dari tempat pengisian bahan bakar).
- Jangan sekali-kali mengisi bahan bakar di ruang tertutup. Uap bahan bakar terakumulasi di permukaan tanah (risiko ledakan).
- Angkut dan simpan bahan bakar hanya dalam wadah sebagaimana ditentukan. Pastikan bahwa bahan bakar yang disimpan tidak dapat dijangkau oleh anak-anak.



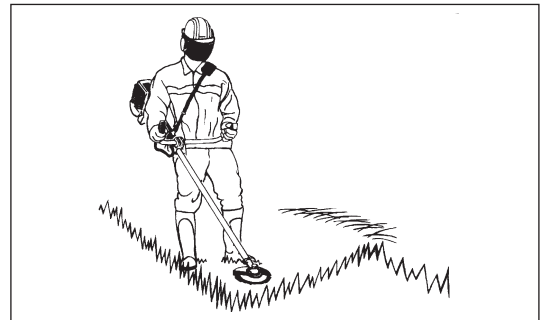
## Metode pengoperasian

- Gunakan hanya dalam kondisi penerangan dan pandangan yang baik. Dalam musim dingin, awaslah terhadap tempat-tempat yang licin atau basah, es dan salju (risiko terpeleset). Selalu pastikan pijakan yang aman.
- Jangan sekali-kali memotong pada ketinggian di atas pinggang.
- Jangan sekali-kali berdiri di atas tangga.
- Jangan sekali-kali memanjat pohon untuk melakukan pemotongan.
- Jangan sekali-kali bekerja di atas permukaan yang tidak stabil.
- Bersihkan pasir, batu, paku, dll. yang ditemukan di lingkup tempat kerja. Benda asing dapat merusak alat pemotong dan dapat menyebabkan tendang-balik yang berbahaya.
- Sebelum memulai pemotongan, alat pemotong harus sudah mencapai kecepatan kerja penuh.
- Bila menggunakan bilah logam, ayunkan alat secara merata dalam gerakan setengah-lingkaran dari kanan ke kiri, seperti menggunakan sabit besar bergagang panjang.  
Jika ada rumput atau ranting yang tersangkut di antara alat pemotong dan pelindung, selalu matikan mesin sebelum membersihkan. Jika tidak, bilah dapat berputar secara tidak disengaja dan menyebabkan cedera serius.
- Beristirahatlah untuk mencegah kehilangan kendali akibat kelelahan. Kami menganjurkan istirahat selama 10 sampai 20 menit setiap satu jam bekerja.



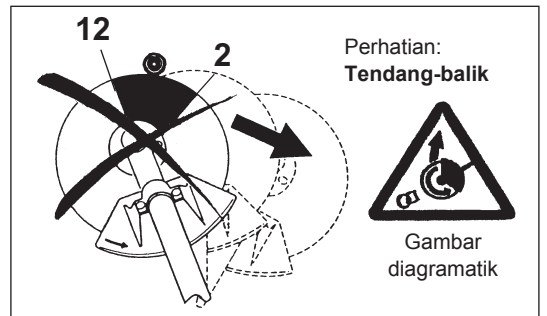
## Alat Pemotong

- Gunakan alat pemotong yang tepat untuk pekerjaan yang dilakukan. Bilah logam sesuai untuk memotong gulma, rumput tinggi, semak, belukar, pohon pendek, perdu, dan sejenisnya. Jangan sekali-kali menggunakan bilah lain termasuk rantai logam putar multi-keping dan bilah perontok (flail blade). Ini dapat mengakibatkan cedera serius.
- Bila menggunakan bilah logam, hindari “tendang-balik” dan selalu persiapkan diri untuk menghadapi tendang-balik yang tidak disengaja. Lihat bagian “Tendang-balik” dan “Pencegahan tendang-balik”.



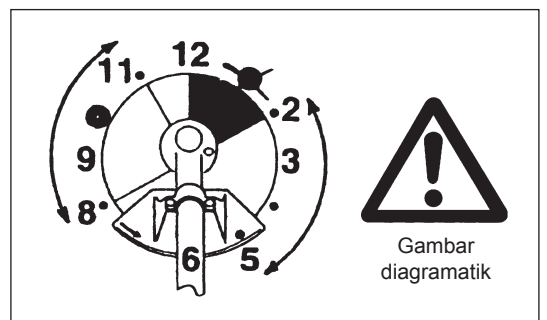
## Tendang-balik (hentakan bilah)

- Tendang-balik (hentakan bilah) adalah reaksi tiba-tiba terhadap tersangkut atau terjepitnya bilah pemotong. Saat hal itu terjadi, alat terlempar ke samping atau ke arah operator dengan kekuatan besar dan dapat menyebabkan cedera serius.
- Tendang-balik terjadi khususnya bila mengaplikasikan segmen bilah di antara arah pukul 12 dan 2 pada benda padat, semak, dan pohon dengan diameter 3 cm atau lebih.
- Untuk menghindari tendang-balik:
  - Aplikasikan segmen antara pukul 8 dan 11;
  - Jangan sekali-kali mengaplikasikan segmen antara pukul 12 dan 2;
  - Jangan sekali-kali mengaplikasikan segmen bilah di arah antara pukul 11 dan 12 dan antara pukul 2 dan 5, kecuali jika operator telah terlatih baik dan berpengalaman, dan itu pun dengan risiko ditanggung sendiri;
  - Jangan sekali-kali menggunakan bilah pemotong di dekat benda padat, seperti pagar, dinding, batang pohon, dan batu;
  - Jangan sekali-kali menggunakan bilah pemotong secara vertikal, untuk pekerjaan seperti merapikan dan memangkas tepi tanaman.



## Getaran

- Orang dengan kondisi sirkulasi kurang yang terpapar pada getaran berlebihan dapat mengalami cedera pada pembuluh darah atau sistem syarafnya. Getaran dapat menyebabkan timbulnya gejala-gejala berikut ini pada jari, tangan, atau pergelangan tangan: “Mati rasa” (baal), kesemutan, nyeri, rasa seperti tertusuk, perubahan kulit atau warna kulit. Jika ada di antara gejala ini yang timbul, hubungi dokter!
- Untuk mengurangi risiko “white finger disease” (penyakit jari putih), jaga tangan Anda selalu hangat saat mengoperasikan alat dan rawat alat serta aksesornya dengan baik.



## Petunjuk pemeliharaan

- Serviskan peralatan Anda pada pusat servis resmi kami, dan selalu gunakan suku cadang pengganti yang asli. Reparasi yang keliru dan perawatan yang buruk dapat memperpendek usia pakai alat dan meningkatkan risiko kecelakaan.
- Kondisi pemotong, khususnya alat pemotong, peranti pelindung dan juga tali bahu harus diperiksa sebelum memulai pekerjaan. Yang harus diperhatikan secara khusus adalah bilah pemotong yang harus diasah dengan benar.
- Matikan mesin dan lepaskan konektor busi saat mengganti atau mengasah alat pemotong, dan juga saat membersihkan pemotong atau alat pemotong.

### **Jangan sekali-kali meluruskan kembali atau mengelas alat pemotong yang rusak.**

- Perhatikan lingkungan dengan baik. Hindari pembukaan gas yang tidak perlu untuk mengurangi polusi dan emisi kebisingan. Setel karburator dengan tepat.
- Bersihkan alat secara rutin dan pastikan bahwa semua sekrup dan murnya telah terkencangkan dengan baik.
- Jangan sekali-kali menyervis atau menyimpan alat di dekat nyala api.
- Selalu simpan alat di ruang terkunci dan dengan tangki bensin kosong.
- Saat membersihkan, menyervis, dan menyimpan alat, selalu pasang penutup pada bilah pemotong.



Patuhilah petunjuk pencegahan kecelakaan yang relevan dari asosiasi profesi yang relevan dan perusahaan asuransi. Jangan melakukan modifikasi apa pun pada alat karena hal tersebut akan membahayakan keselamatan Anda.

Pekerjaan pemeliharaan atau perbaikan yang boleh dilakukan pengguna dibatasi pada kegiatan-kegiatan yang diuraikan dalam petunjuk penggunaan. Semua pekerjaan lain harus dilakukan oleh Agen Servis Resmi. Gunakanlah hanya suku cadang dan aksesori asli yang dikeluarkan dan dipasok oleh MAKITA.

Penggunaan aksesori dan alat yang tidak disetujui berarti meningkatkan risiko kecelakaan.

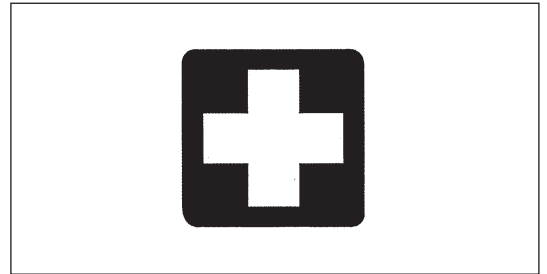
MAKITA tidak bertanggung jawab atas kecelakaan atau kerusakan yang disebabkan oleh penggunaan alat pemotong dan perangkat pemasangan alat pemotong, atau aksesori yang tidak disetujui.

### **Pertolongan Pertama**

Apabila terjadi kecelakaan, pastikan bahwa kotak pertolongan pertama tersedia di sekitar tempat pekerjaan pemotongan. Segera ganti setiap barang yang diambil dari kotak pertolongan pertama.

### **Saat meminta bantuan, berikanlah informasi berikut ini:**

- Tempat kecelakaan
- Apa yang telah terjadi
- Jumlah orang yang cedera
- Jenis cedera
- Nama Anda



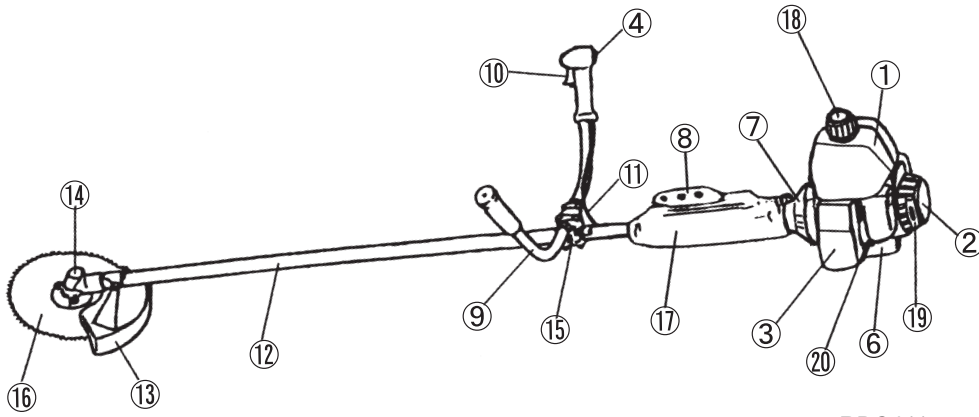
## DATA TEKNIS

Model	RBC411		RBC411U	
	Gagang U			
Dimensi: panjang x lebar x tinggi (tanpa bilah pemotong)	mm	1.705 x 620 x 435		1.710 x 670 x 430
Massa (tanpa pelindung plastik dan bilah pemotong)	kg	7,3		
Volume (tangki bahan bakar)	L	1,1		
Volume langkah mesin	cm <sup>3</sup>	40,2		
Kinerja mesin maksimum	kW	1,47 pada 7.000 men <sup>-1</sup>		
Kecepatan mesin pada kecepatan maks. spindel yang dianjurkan	men <sup>-1</sup>	10.000		
Kecepatan spindel maksimum (yang sesuai)	men <sup>-1</sup>	6.800		
Konsumsi bahan bakar	kg/j	0,98 (32,8 oz/h)		
Konsumsi bahan bakar spesifik	g/kWh	1134,5 (29,9 oz/kwh)		
Kecepatan stasioner (lambat)	men <sup>-1</sup>	2.800		
Kecepatan penyambungan kopling	men <sup>-1</sup>	3.600		
Karburator		Pelampung - tipe karburator		
Sistem pengapian	tipe	Pengapian elektronik		
Busi	tipe	NGK BPM7A		
Celah elektroda	mm	0,6 – 0,7		
Rasio campuran (Bahan bakar: Oli 2-tak MAKITA)		25 : 1		
Rasio roda gigi		13/19		

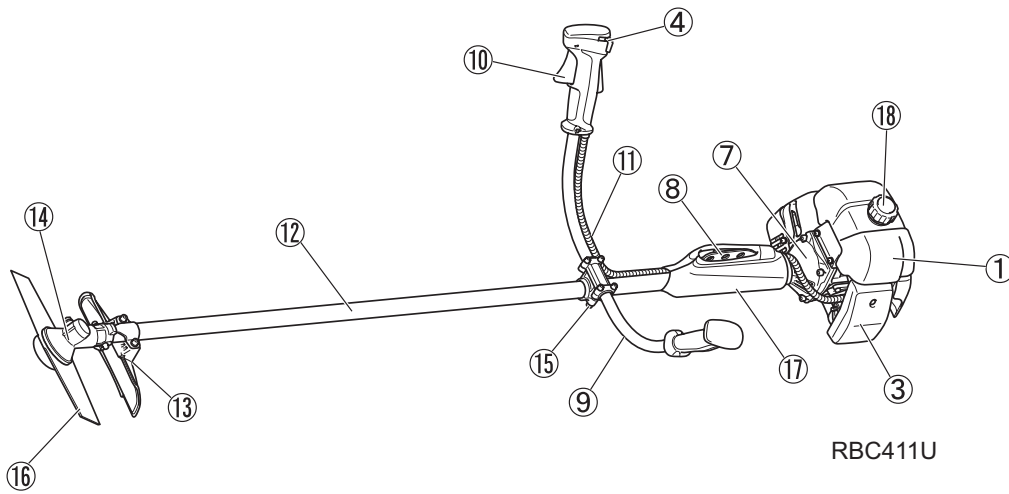
1) Data memperhitungkan secara setara mode pengoperasian stasioner, dan kecepatan penuh atau gas dibuka lebar.

RBC411U: Model ini diadaptasi untuk menggunakan bensin E20.

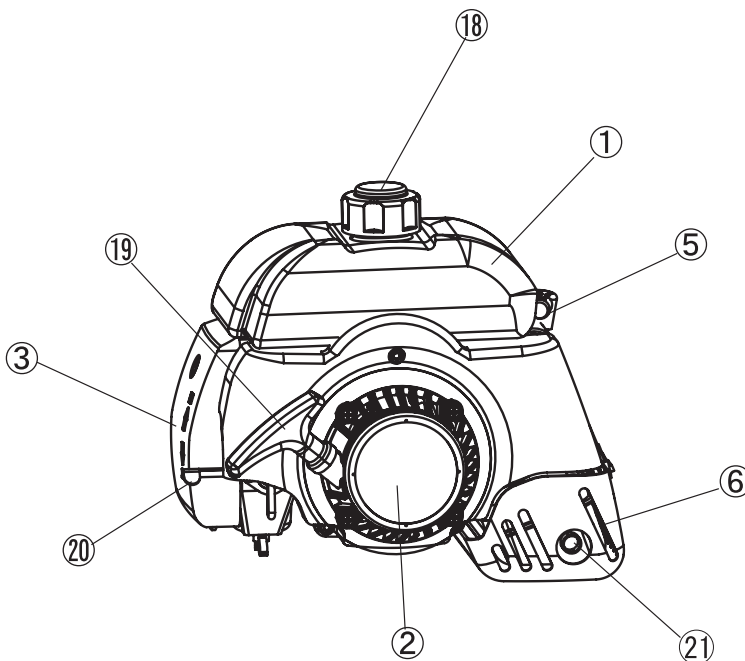
## PENAMAAN BAGIAN



RBC411



RBC411U



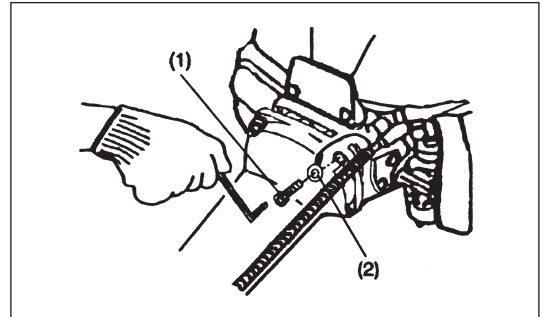
ID	PENAMAAN BAGIAN
1	Tangki Bahan Bakar
2	Starter Tarik/Gulung
3	Pembersih Udara
4	Sakelar I-O (hidup/mati)
5	Busi
6	Peredam Knalpot
7	Kotak Kopling
8	Penggantung
9	Gagang
10	Tuas Gas
11	Kabel gas
12	Tangkai
13	Pelindung
14	Kotak Gir
15	Penahan Gagang
16	Bilah Pemetong
17	Bantalan Pinggang
18	Tutup Pengisian Bahan Bakar
19	Kenop Starter
20	Tuas Cuk
21	Pipa Knalpot

## PERAKITAN MESIN DAN TANGKAI

PERHATIAN: Sebelum melakukan pekerjaan apa pun pada pemotong semak, selalu matikan motor dan tarik lepas konektor busi dari busi. Selalu kenakan sarung tangan pelindung.

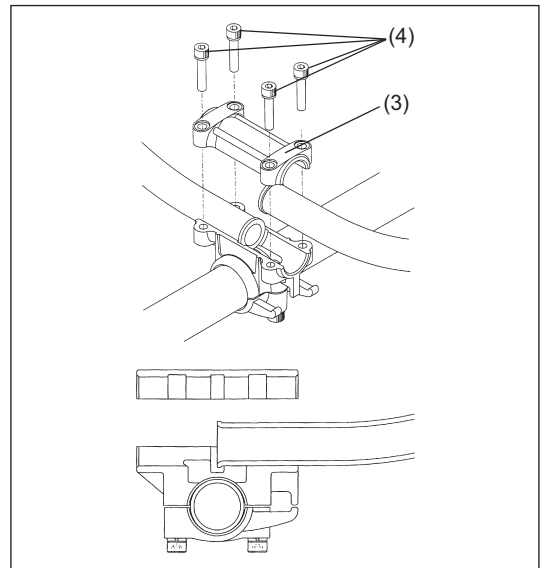
PERHATIAN: Hidupkan pemotong semak hanya setelah alat ini selesai dirakit lengkap.

- Setelah memeriksa bagian-bagiannya, kencangkan poros penggerak ke mesin dengan empat baut M6 x 22 (1). Pada saat ini, kencangkan pula terminal arde (2) dari kabel penghenti ke mesin.



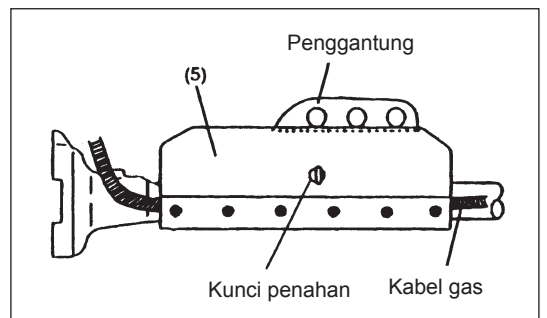
## PEMASANGAN GAGANG

- Tempatkan gagang yang dilengkapi tuas gas pada penahan gagang di sebelah kanan (untuk dipegang dengan tangan kanan) dan gagang lainnya di sebelah kiri.
- Paskan tepi gagang dengan alur penahan gagang, dan untuk sementara pasang sisi atas (3) dari penahan gagang dengan empat baut M5 x 25 (4).
- Atur gagang ke sudut yang mudah dioperasikan, dan kencangkan bautnya (4) secara seragam pada sisi kanan dan kiri.



- Pasang bantalan pinggang (5). Setelah bantalan pinggang dipasang, pastikan untuk memeriksa dan memastikan kembali bahwa kabel tidak bergerak secara horizontal.
- Hindari kecenderungan kabel gas untuk melingkar di batang gagang.

Tujuan dari kunci penahan adalah untuk mencegah mesin berputar relatif terhadap poros penggerak saat mengoperasikan starter atau mengangkat alat dari satu tempat ke tempat lain. Kunci penahan ini harus dibuka saat unit sedang digunakan.





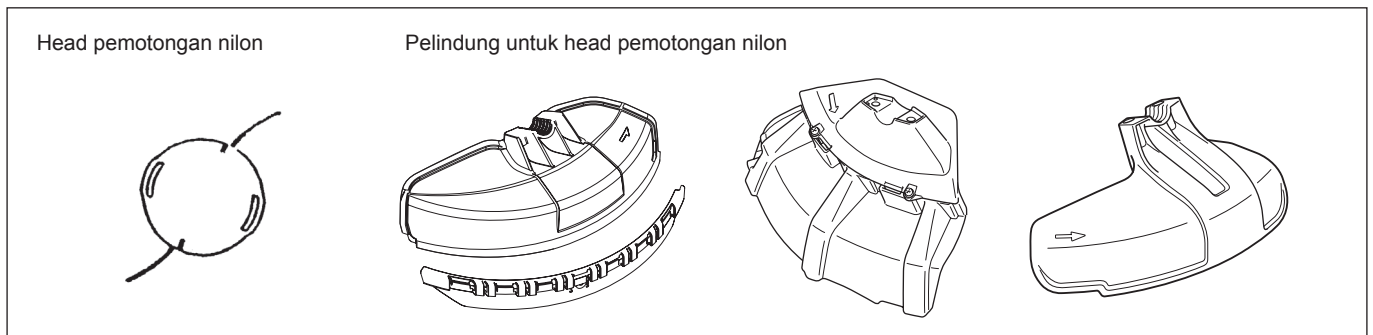
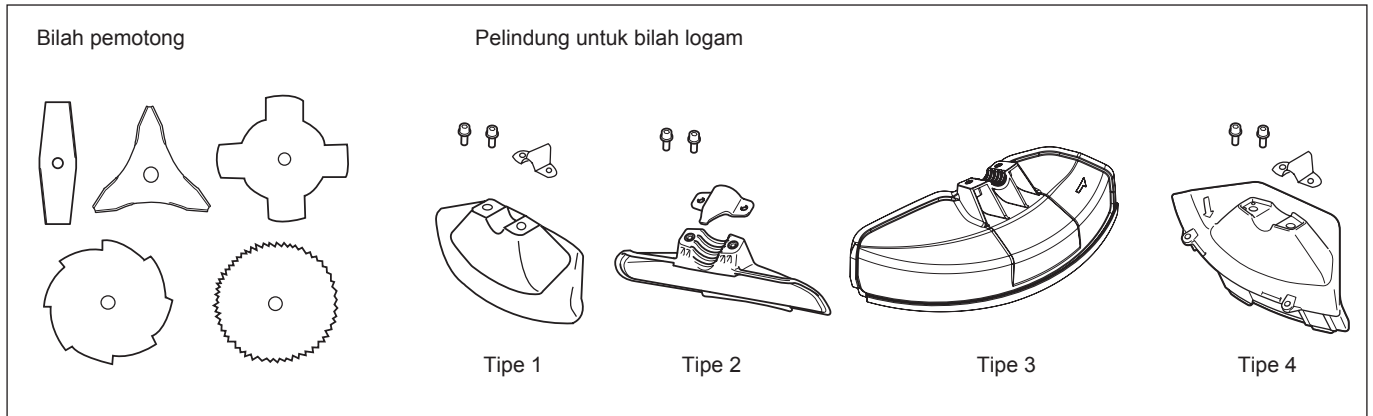
## PEMASANGAN PELINDUNG

Untuk memenuhi ketentuan-ketentuan keselamatan yang berlaku, hanya kombinasi alat/pelindung seperti dinyatakan dalam tabel harus digunakan.



Pastikan untuk menggunakan pisau/bilah pemotong atau head pemotongan nilon asli MAKITA.

- Bilah pemotong harus dipoles dengan baik, bebas dari retakan atau patahan.
- Jika bilah pemotong menghantam batu saat digunakan, hentikan mesin dan periksa bilah segera.
- Poles atau ganti bilah pemotong setiap tiga jam penggunaan.
- Diameter luar bilah pemotong haruslah 255 mm (10 inci). Bilah pemotong dengan diameter luar 305 mm atau 12 inci dapat digunakan hanya yang memiliki dua atau tiga bilah.



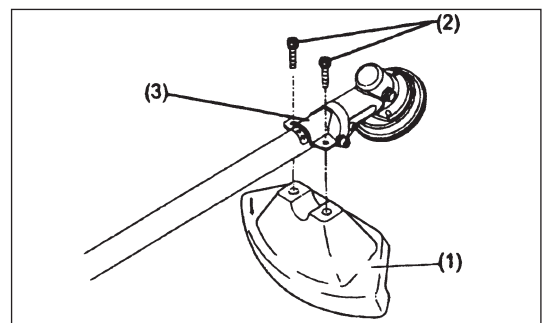
PERHATIAN: Pelindung yang sesuai harus selalu dipasang, demi keselamatan Anda sendiri dan untuk mematuhi peraturan pencegahan kecelakaan. Pengoperasian alat ini tanpa pelindung terpasang adalah dilarang.

### Tipe 1, 2

- Pasang pelindung (1) pada klem (3) dengan dua baut M6 x 30 (2).

CATATAN: Kencangkan baut kanan dan kiri secara seimbang (sama kencang) sehingga celah antara klem (3) dan pelindung (1) akan tetap konstan. Bila tidak, pelindung dapat kadang-kadang tidak berfungsi sebagaimana seharusnya.

PERHATIAN: Diameter luar bilah pemotong haruslah 255 mm (10 inci). Bilah pemotong dengan diameter luar 305 mm atau 12 inci dapat digunakan hanya yang memiliki dua atau tiga bilah.



### Tipe 3

- Saat menggunakan bilah logam, pasanglah pelindung (3) pada klem (2) dengan dua baut (1).

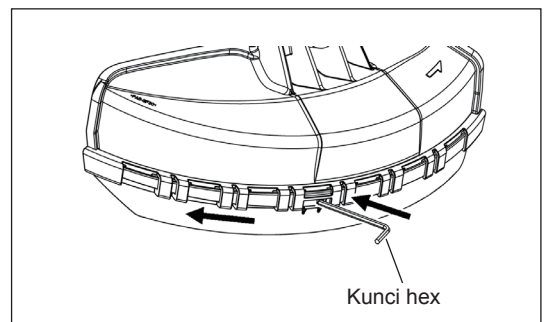
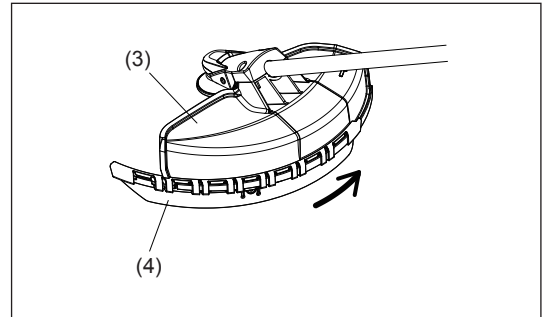
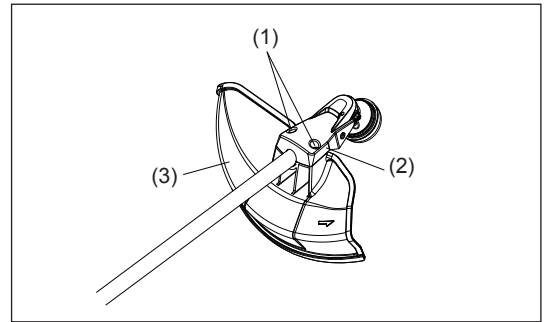
CATATAN: Kencangkan baut kanan dan kiri secara seimbang (sama kencang) sehingga celah antara klem (2) dan pelindung (3) akan tetap konstan. Bila tidak, pelindung dapat kadang-kadang tidak berfungsi sebagaimana seharusnya.

PERHATIAN: Diameter luar bilah pemotong haruslah 255 mm (10 inci). Bilah pemotong dengan diameter luar 305 mm atau 12 inci dapat digunakan hanya yang memiliki dua atau tiga bilah.

- Dalam hal pemotong senar nilon akan digunakan, pastikan untuk memasang pelindung pemotong senar nilon (4) pada pelindung bilah logam (3).
- Pasang pelindung pemotong senar nilon (4) dengan menggesernya masuk ke tempatnya dari samping pelindung bilah logam (3) seperti diperlihatkan.
- Lepaskan pita rekat yang melekat pada pemotong, yang memotong senar nilon, pada pelindung pemotong senar nilon (4).

PERHATIAN: Pastikan untuk mendorong masuk pelindung pemotong senar nilon (4) sampai sepenuhnya masuk. Berhati-hatilah agar Anda tidak terluka oleh pemotong yang berfungsi untuk memotong senar nilon.

- Untuk melepas pelindung pemotong senar nilon (4), masukkan kunci hex (kunci L) ke dalam takik pada pelindung bilah logam (3), dorong masuk, dan sementara itu geserlah pelindung pemotong senar nilon (4).



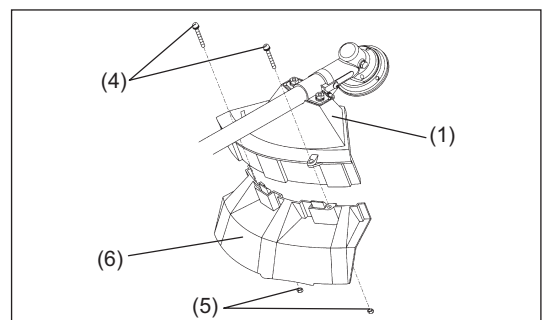
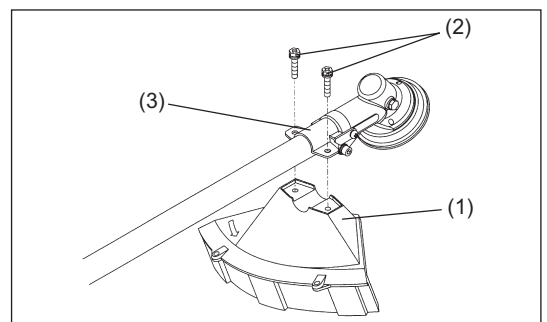
### Tipe 4

- Pasang pelindung (1) pada klem (3) dengan dua baut M6 x 30 (2).

CATATAN: Kencangkan baut kanan dan kiri secara seimbang (sama kencang) sehingga celah antara klem (3) dan pelindung (1) akan tetap konstan. Bila tidak, pelindung dapat kadang-kadang tidak berfungsi sebagaimana seharusnya.

PERHATIAN: Diameter luar bilah pemotong haruslah 255 mm (10 inci). Jangan sekali-kali menggunakan bilah apa pun yang diameter luarnya lebih dari 255 mm (10 inci).

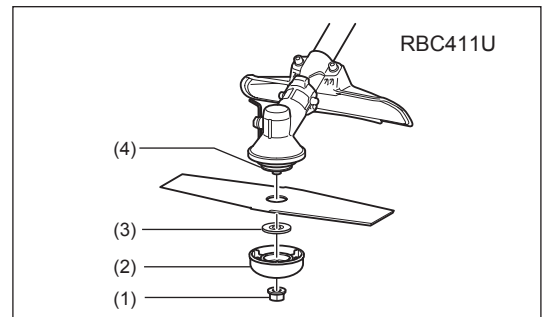
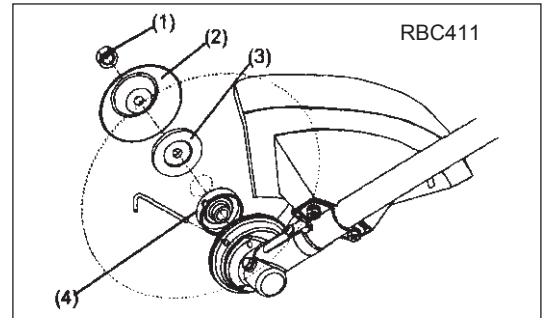
- Bila menggunakan head pemotongan nilon, masukkan pelindung (6) ke dalam pelindung (1), dan kencangkan keduanya dengan dua sekrup (4) dan dua mur (5).



## PEMASANGAN BILAH PEMOTONG



- Masukkan kunci hex melalui lubang pada kotak gir dan putar cincin penerima (4) sampai terkunci dengan kunci hex.
- Kendorkan mur (1) (drat kiri) dengan kunci soket dan lepaskan mur (1), mangkuk (2), dan cincin klem (3).



### Pemasangan bilah pemotong

Dengan kunci hex masih di tempatnya.

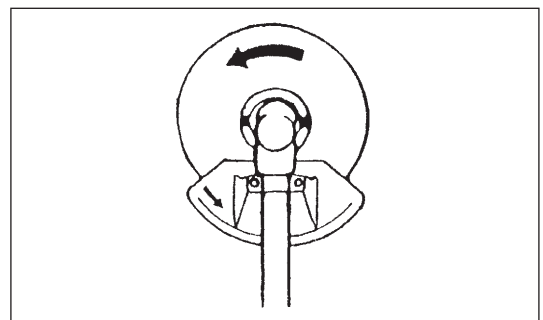
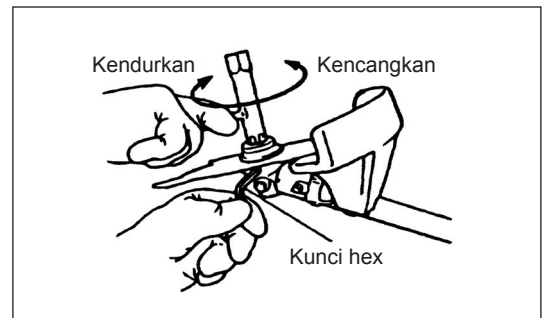
- Pasang bilah pemotong pada poros sehingga pemandu cincin penerima (4) terpasang pada lubang paksi pada bilah pemotong. Pasang cincin klem (3), mangkuk (2), dan kencangkan bilah pemotong dengan mur (1).  
[Torsi/tenaga-putar pengencangan: 13 - 23 N m]

CATATAN: Selalu kenakan sarung tangan saat menangani bilah pemotong.

CATATAN: Mur pengencang bilah pemotong (dengan pegas cakram kerucut) adalah komponen habis pakai.

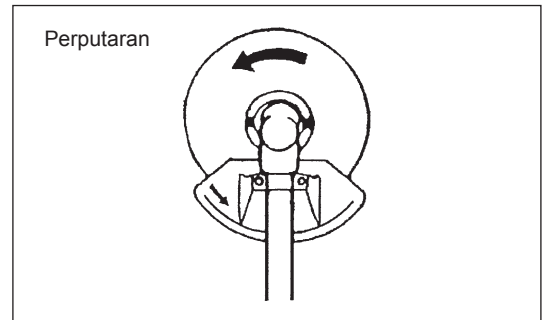
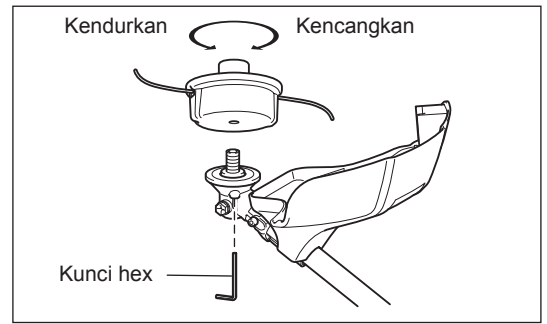
Jika cincin pegas cakram kerucut sudah terlihat aus atau berubah bentuk, gantilah mur.

Pastikan bahwa bilah berputar naik ke arah kiri.



### Pemasangan head pemotongan nilon

- Cincin klem (3), mangkuk (2), dan mur (1) tidak dibutuhkan untuk memasang head pemotongan nilon. Head pemotongan nilon harus dipasang di atas cincin penerima (4).
- Masukkan kunci hex melalui lubang pada kotak gir dan putar cincin penerima (4) sampai terkunci dengan kunci hex.
- Kemudian pasang head pemotongan nilon pada poros dengan mengulirkannya berlawanan arah jarum jam.
- Lepaskan kunci hex.





## Menangani produk minyak bumi

Menangani bahan bakar harus dilakukan dengan kehati-hatian maksimum. Bahan bakar dapat mengandung zat yang serupa dengan pelarut. Isikan bahan bakar di tempat yang berventilasi baik atau di luar ruangan. Jangan menghirup uap bahan bakar, hindari kontak bahan bakar atau oli dengan kulit Anda.

Produk oli mineral akan melarutkan lemak dari kulit Anda. Jika kulit Anda terkena bahan-bahan ini berulang-ulang dan untuk jangka waktu lama, berbagai penyakit kulit dapat timbul. Selain itu, reaksi alergi juga diketahui dapat timbul. Mata dapat teriritasi bila terkena oli, bahan bakar, dll.

Jika oli mengenai mata Anda, segera cuci dengan air bersih.

Jika mata Anda masih teriritasi, segera hubungi dokter.



Patuhi Petunjuk Keselamatan pada halaman 23!

## Campuran bahan bakar dan oli

Mesin pemotong semak adalah mesin dua-tak dengan efisiensi tinggi.

Mesin ini berjalan dengan campuran bahan bakar dan oli mesin dua-tak. Mesin ini dirancang untuk menggunakan bahan bakar biasa tanpa timbal dengan nilai oktan minimum RON 91. Apabila bahan bakar semacam itu tidak tersedia, Anda dapat menggunakan bahan bakar dengan nilai oktan lebih tinggi. Ini tidak akan mempengaruhi mesin, tetapi dapat menyebabkan kerja pengoperasian yang kurang baik.

Situasi serupa akan muncul dari pemakaian bahan bakar bertimbal. Untuk mendapatkan kinerja mesin yang optimal dan untuk melindungi kesehatan Anda dan lingkungan, gunakan hanya bahan bakar tanpa timbal!

RBC411U: Model ini diadaptasi untuk menggunakan bensin E20.

Untuk pelumasan mesin, gunakan oli mesin dua-tak (kelas mutu: TC-3), yang ditambahkan ke dalam bahan bakar. Mesin alat ini telah dirancang untuk menggunakan oli mesin dua-tak MAKITA, dengan rasio pencampuran 25:1 untuk melindungi lingkungan. Selain itu, usia pakai yang panjang dan pengoperasian yang handal dengan emisi gas buang minimum juga bisa dipastikan. Adalah mutlak penting untuk mematuhi rasio campuran 25:1 untuk oli mesin 2-tak MAKITA. Jika tidak, kehandalan fungsi pemotong semak tidak akan dapat dijamin.

### Rasio campuran yang benar:

Campurkan 25 bagian bensin dengan 1 bagian oli mesin 2-tak MAKITA (lihat tabel di kanan).

**CATATAN:** Untuk menyiapkan campuran bahan bakar-oli, pertama, campurkanlah seluruh jumlah oli yang ditentukan dengan setengah bahan bakar yang diperlukan dalam wadah yang ditentukan yang memenuhi atau melampaui semua standar peraturan setempat, kemudian tambahkan bahan bakar selebihnya. Kocok campuran hingga rata sebelum mengisikannya ke tangki pemotong semak. Adalah kurang bijaksana jika menambahkan oli mesin lebih daripada yang ditentukan dengan maksud untuk memastikan keamanan pengoperasian. Penambahan seperti ini hanya akan menghasilkan peningkatan produksi sisa pembakaran yang akan mencemari lingkungan dan menyumbat saluran buang di dalam silinder, busi, dan juga knalpot. Selain itu, konsumsi bahan bakar juga akan naik dan kinerja akan turun.

## Pengisian bahan bakar

Jangan sekali-kali mengisi bahan bakar di tempat yang tertutup dan tidak berventilasi.



### Mesin harus dimatikan!

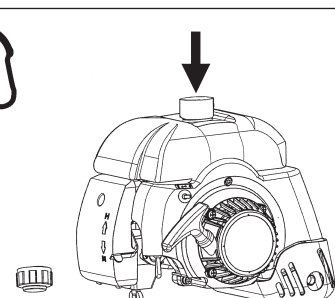
- Bersihkan baik-baik area di sekeliling tutup bensin untuk mencegah masuknya kotoran ke dalam tangki bahan bakar.
  - Ulir lepas tutup bensin dan isi tangki dengan bahan bakar.
  - Jangan sekali-kali mengisi tangki bahan bakar hingga sangat penuh.
  - Pasang tutup bensin dengan mengulirnya hingga kuat.
  - Lap tutup ulir dan tangki dengan bahan penyerap setelah mengisi bahan bakar!
- Biarkan kain lap mengering dan buang dalam wadah yang sesuai.

## Penyimpanan Bahan Bakar

Bahan bakar tidak dapat disimpan untuk jangka waktu tak terbatas. Belilah bahan bakar hanya sejumlah yang diperlukan untuk pengoperasian selama 4 minggu. Hanya gunakan wadah penyimpanan bahan bakar seperti yang ditentukan.



Bensin (bensin tanpa timbal)	+	25:1 OIL
		
1.000 cc (1L)		40 cc
5.000 cc (5L)		200 cc
10.000 cc (10L)		400 cc



## PENANGANAN-MESIN YANG BENAR

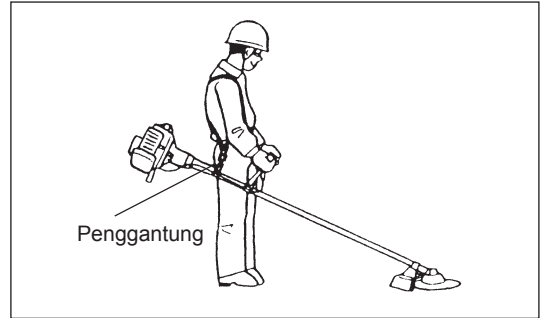


Salah satu dari tipe I atau II di bawah ini disertakan dalam kemasan alat. Selalu kenakan tali bahu saat mengoperasikan pemotong semak.

### Tipe I

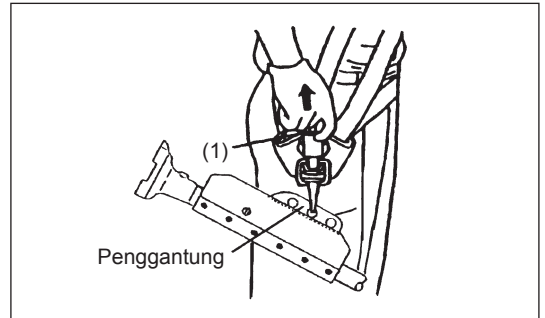
#### Pemasangan tali bahu

- Setel panjang tali bahu sehingga bilah pemotong akan terjaga sejajar dengan tanah.



#### Pelepasan

- Dalam keadaan darurat, lepaskan tuas pelepasan darurat (1) dengan menariknya kuat-kuat dengan jari. Bendul mesin akan terlepas dari tubuh. Ekstra hati-hatilah untuk mempertahankan kendali atas mesin pada saat ini. Jangan biarkan mesin terbelokkan ke arah Anda atau siapa pun di sekitar tempat kerja.



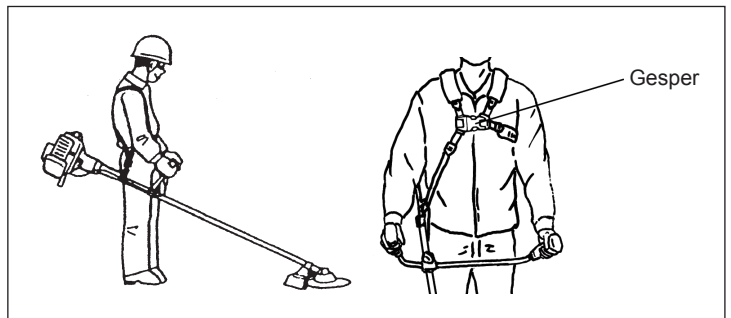
PERINGATAN: Kegagalan untuk mempertahankan kendali penuh atas mesin dapat mengakibatkan cedera badan serius atau KEMATIAN.

### Tipe II

#### Pemasangan tali bahu

- Setel panjang tali bahu sehingga bilah pemotong akan terjaga sejajar dengan tanah.

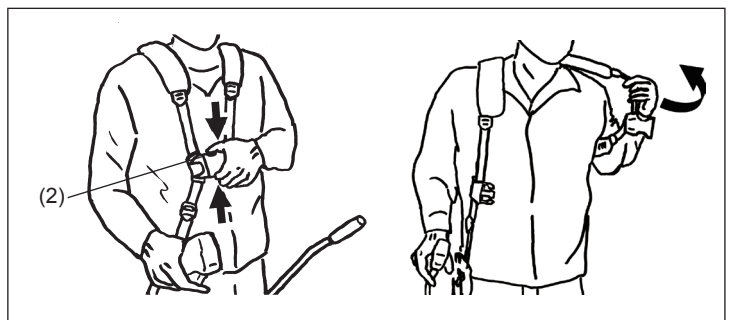
CATATAN: Berhati-hatilah agar tidak ada pakaian dll., yang terjepit di dalam gesper.



#### Pelepasan

- Dalam keadaan darurat, tekan takik (2) pada kedua sisinya, dan Anda dapat melepaskan mesin dari tubuh Anda. Ekstra hati-hatilah untuk mempertahankan kendali atas mesin pada saat ini. Jangan biarkan mesin terbelokkan ke arah Anda atau siapa pun di sekitar tempat kerja.

PERINGATAN: Kegagalan untuk mempertahankan kendali penuh atas mesin dapat mengakibatkan cedera badan serius atau KEMATIAN.



## MENGOPERASIKAN

Patuhilah peraturan pencegahan kecelakaan yang berlaku!



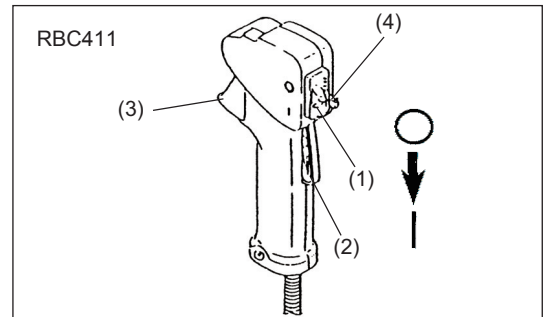
### Menghidupkan

Menjauhlah paling tidak 3 m (10 kaki) dari tempat pengisian bahan bakar. Letakkan pemotong semak di atas permukaan tanah/lantai yang bersih dengan hati-hati sehingga alat pemotong tidak bersentuhan dengan tanah atau benda lain apa pun.

### Menghidupkan mesin dingin

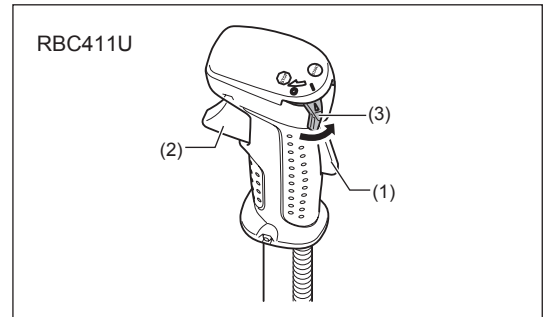
#### • Untuk RBC411

- Tekan sakelar I-O (1) pada arah yang ditunjukkan oleh tanda panah.
- Pegang gagang (tekanan tangan akan mengaktifkan tuas kunci-mati pengaman (2)).
- Tekan tuas gas (3) dan tahan.
- Tekan tombol kunci (4) dan lepaskan tuas pengendali, dan kemudian lepaskan tombol kunci (tombol kunci menahan tuas gas dalam posisi start-up (mulai)).

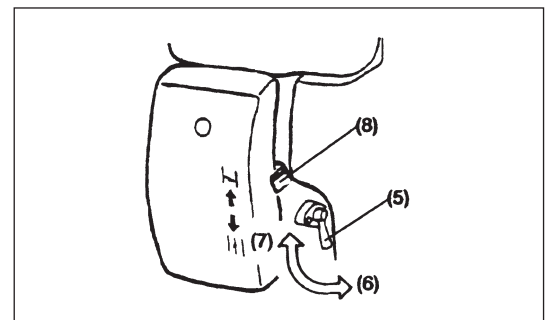


#### • Untuk RBC411U

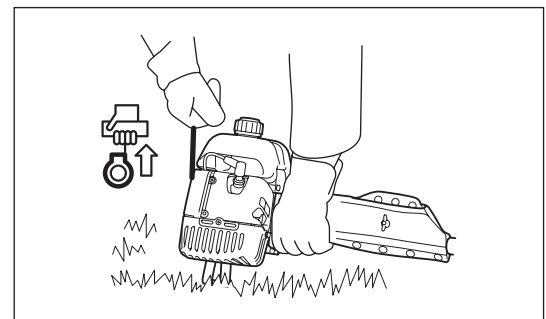
- Pegang gagang (tekanan tangan akan mengaktifkan tuas kunci-mati pengaman (1)).
- Tekan tuas gas (2) dan tahan.
- Tekan sakelar I-O (3) ke START.



- Pertama, tempatkan mesin di atas tanah.
- Buka katup bahan bakar. Katup akan membuka saat tuas (5) berada pada sudut tegak lurus terhadap tanah (6). Katup akan menutup saat tuas sejajar dengan tanah (7).
- Gerakkan tuas cuk (8) ke posisi teratas (↑).



- Tahan kotak kopling kuat-kuat dengan tangan kiri, seperti dalam ilustrasi.
- Dengan perlahan tarik pegangan starter sampai terasa ada hambatan dan lanjutkan dengan tarikan cepat.
- Jangan menarik tali starter sampai habis dan jangan biarkan gagang starter tertarik masuk lagi dengan tidak terkendali, tetapi pastikan bahwa tali tergulung dengan perlahan.
- Ulangi upaya starter sampai pengapian awal terdengar.
- Tekan tuas cuk (↑) dan tarik tali starter lagi sampai mesin menyala.
- Segera setelah mesin menyala, segera buka dan lepaskan gas, sehingga melepaskan kunci setengah gas dan mesin dapat berjalan stasioner/langsam.
- Jalankan mesin selama sekitar satu menit pada kecepatan sedang sebelum membuka gas penuh.



### Yang perlu diperhatikan selama mengoperasikan:

Jika tuas gas dibuka sepenuhnya dalam pengoperasian tanpa beban, perputaran mesin akan meningkat sampai 10.000 men<sup>-1</sup> atau lebih. Jangan sekali-kali mengoperasikan mesin pada kecepatan yang lebih tinggi daripada yang diperlukan dan pada kecepatan sekitar 6.000 - 8.000 men<sup>-1</sup>.

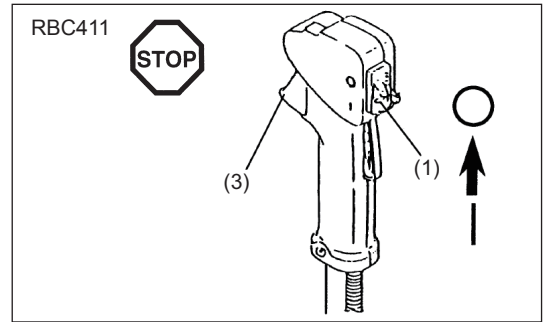
### Menghidupkan mesin panas

- Seperti diuraikan di atas, kecuali tanpa menggeser tuas cuk (tuas cuk tetap pada posisi bawah).

### Menghentikan

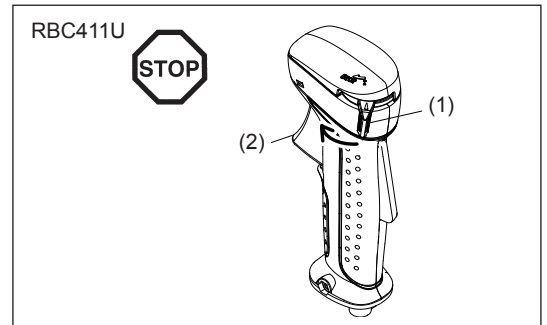
#### • Untuk RBC411

- Lepaskan tuas pengendali (3) sepenuhnya, dan ketika kecepatan mesin telah turun, tekan sakelar I-O (1) ke posisi "O", maka mesin akan berhenti.



#### • Untuk RBC411U

- 1) Lepaskan tuas gas (2) sepenuhnya, dan ketika rpm mesin telah turun, geser sakelar I-O (1) ke STOP, maka mesin akan berhenti.
- 2) Awaslal bahwa head pemotongan mungkin tidak langsung berhenti dan biarkanlah head melambat sepenuhnya.

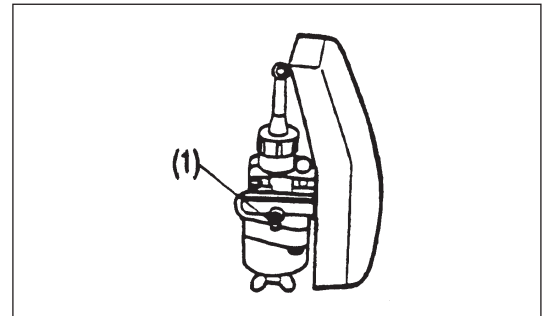


## PENYETELAN STASIONER

Bilah pemotong atau head pemotongan nilon harus tidak berputar saat tuas pengendali dilepas sepenuhnya. Jika perlu, setel rpm stasioner menggunakan sekrup penyetal stasioner.

### Memeriksa kecepatan Stasioner (lansam)

- Kecepatan stasioner sebaiknya disetel ke 2.600  $\text{men}^{-1}$ .  
Jika perlu, perbaikilah dengan sekrup stasioner (pisau/bilah atau head pemotongan nilon harus tidak berputar saat mesin stasioner).  
Mengulir masuk sekrup (1) akan menyebabkan peningkatan kecepatan mesin, sedangkan mengulir mundur sekrup akan menurunkan kecepatan mesin.



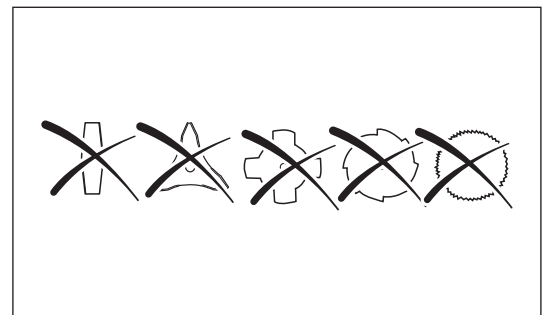
## MENAJAMKAN KEMBALI ALAT PEMOTONG



PERHATIAN: Alat pemotong yang disebutkan di bawah ini hanya boleh ditajamkan kembali/diasah oleh fasilitas resmi. Pengasahan manual akan menghasilkan ketidakseimbangan alat pemotong yang menyebabkan getaran dan kerusakan pada alat.

- bilah pemotong  
Layanan penajaman dan penyeimbangan oleh ahlinya disediakan oleh Agen Servis Resmi.

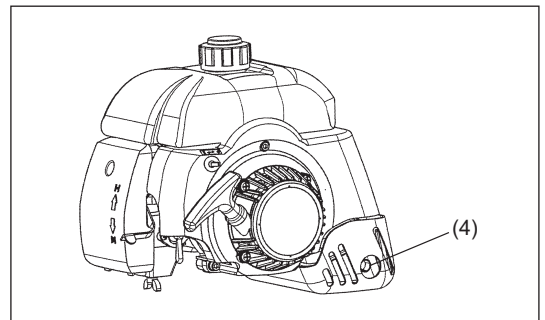
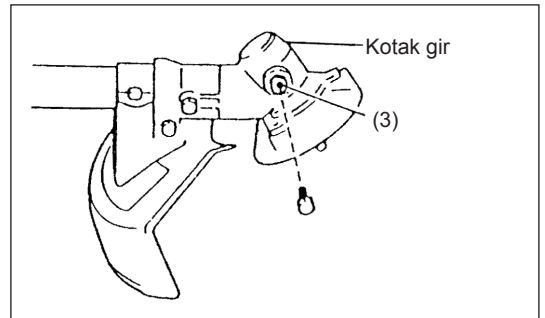
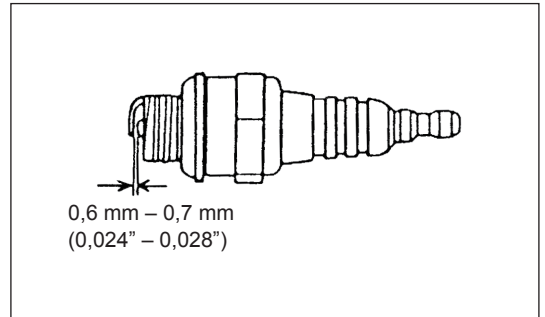
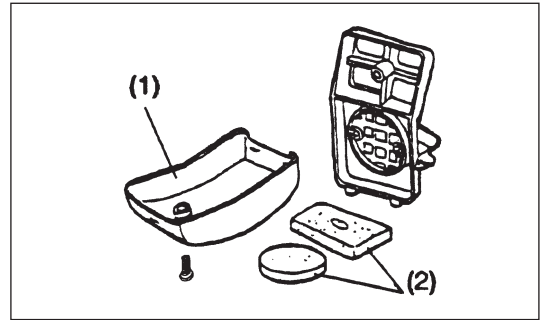
CATATAN: Untuk memperpanjang usia pakai pisau pemotong (pisau bintang, pisau pusran, pisau gergaji) pisau dapat dibalik sekali, sampai kedua tepi pemotong menjadi tumpul.





## JADWAL PEMELIHARAAN

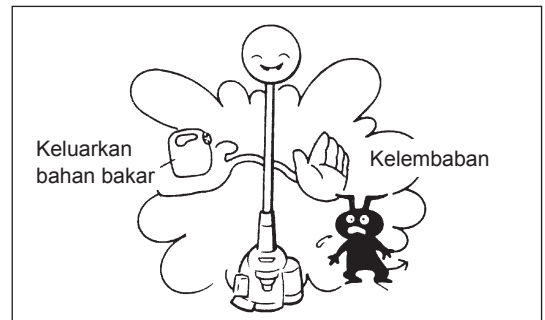
1. Sebelum mengoperasikan, perhatikan secara khusus kekencangan Pisau Pemotong atau head pemotongan nilon.  
Periksa baut dan mur dan kencangkan jika perlu.: Setiap 8 jam (Harian)
2. Periksa adanya sumbatan pada saluran udara pendingin dan sirip-sirip silinder.  
Bersihkan jika perlu.: Setiap 8 jam (Harian)
3. Membersihkan pembersih udara.: Setiap 8 jam (Harian)
  - 1) Lepaskan penutup pembersih udara (1) dan bersihkan elemen spons (2).  
Jika debu atau kotoran yang menempel pada pembersih sangat banyak, bersihkan. Pembersih udara yang tersumbat dapat membuat mesin sulit atau tidak dapat dihidupkan atau membuat kecepatan putaran mesin meningkat.
  - 2) Pasang elemen spons di seputar rusuk kotak pembersih udara.
4. Memeriksa busi.: Setiap 8 jam (Harian)  
Celah antara kedua elektroda busi haruslah 0,6 sampai 0,7 mm (0,024" sampai 0,028").  
Jika celah ini terlalu lebar atau terlalu sempit, sesuaikanlah.  
Jika busi tertutup karbon atau tercemar, bersihkan baik-baik atau ganti.
5. Pemberian gemuk pada kotak gir.  
Berikan gemuk (SHELL ALVANIA No. 3 atau setara) pada kotak gir melalui lubang gemuk (3) setiap 30 jam.  
(Gemuk asli MAKITA dapat dibeli dari dealer MAKITA terdekat.)
6. Membersihkan lubang buang knalpot: Setiap 50 jam (Bulanan)  
Jika lubang buang (4) tersumbat karbon/arang, bersihkan dengan mengerok dan mengetuknya pelan-pelan dengan obeng atau alat sejenis.
7. Memeriksa filter bahan bakar. Jika tersumbat, bersihkan filter.
8. Mengganti saluran bahan bakar.: Setiap 200 jam (Tahunan)
9. Turun mesin.: Setiap 200 jam (Tahunan)
10. Mengganti paking dan gasket dengan yang baru.: Setiap kali mesin dirakit ulang.



Umum	Rakitan mesin, sekrup, dan mur	Pemeriksaan visual dari kerusakan dan kekencangan Periksa kondisi umum dan keamanannya
Setiap kali setelah mengisikan bahan bakar	Tuas gas Tombol kunci pengaman Sakelar ON-OFF (HIDUP-MATI)	Pemeriksaan fungsi Pemeriksaan fungsi Pemeriksaan fungsi
Harian	Elemen spons (filter udara) Saluran udara pendingin Bilah pemotong Kecepatan stasioner (lambat)	Dibersihkan Dibersihkan Periksa dari kerusakan dan periksa ketajamannya Pemeriksaan (alat pemotong tidak boleh bergerak)
Mingguan	Busi Knalpot	Periksa, ganti jika perlu Periksa dan jika perlu bersihkan lubangnya
Tiga bulanan	Head penghisapan (filter saluran bensin) Tangki bahan bakar	Diganti Dibersihkan
Prosedur mematikan	Tangki bahan bakar Karburator	Kosongkan tangki bahan bakar Jalankan sampai mesin kehabisan bahan bakar

## PENYIMPANAN

- Bila mesin disimpan untuk waktu lama, keluarkan bahan bakar dari tangki bahan bakar dan karburator, seperti berikut: Keluarkan seluruh bahan bakar dari tangki bahan bakar. Buang dengan benar dan sesuai dengan semua hukum setempat.
- Lepaskan busi dan masukkan beberapa tetes oli ke dalam lubang busi. Kemudian, tarik starter pelan-pelan, sehingga oli menyelimuti bagian dalam mesin dan kencangkan busi.
- Bersihkan kotoran atau debu dari bilah pemotong dan bagian luar mesin, lap dengan kain yang direndam oli dan simpan mesin di tempat yang sekering mungkin.



### Lokasi kegagalan

Kegagalan	Sistem	Pengamatan	Penyebab
Mesin tidak mau hidup atau sulit hidup	Sistem pengapian	Api busi baik	Kegagalan dalam sistem pasokan bahan bakar atau kompresi, kerusakan mekanis
		Tidak ada api busi	Sakelar I-O (hidup-mati) bekerja, kegagalan pengawatan atau hubungan singkat, busi atau konektor busi rusak, modul pengapian rusak
	Pasokan bahan bakar	Tangki bahan bakar terisi	Posisi cuk salah, karburator rusak, pipa pemasok bahan bakar bengkok atau tersumbat, bahan bakar kotor
	Kompresi	Tidak ada kompresi saat ditarik	Gasket dasar silinder rusak, sil poros engkol rusak, silinder atau ring seher (piston) rusak, atau sil busi kurang rapat
	Kegagalan mekanis	Starter tidak menyambung	Pegas starter rusak, komponen rusak di dalam mesin
Masalah saat menghidupkan mesin panas		Tangki terisi, api busi ada	Karburator kotor, harus dibersihkan
Mesin mau hidup tetapi langsung mati	Pasokan bahan bakar	Tangki terisi	Setelan stasioner kurang tepat, karburator kotor Ventilasi tangki bahan bakar rusak, saluran pasokan bahan bakar terganggu, kabel atau sakelar I-O rusak
Kinerja tidak mencukupi	Beberapa sistem dapat secara bersamaan mengalami gangguan	Stasioner mesin buruk	Filter udara kotor, karburator kotor, peredam knalpot tersumbat, saluran buang dalam silinder tersumbat

## MENYELESAIKAN MASALAH

Sebelum meminta bantuan perbaikan, periksalah masalahnya sendiri lebih dahulu. Jika ditemukan hal yang tidak normal, kendalikan mesin sesuai dengan deskripsi dalam buku petunjuk ini. Jangan sekali-kali mengubah-ubah atau melepas komponen mana pun yang bertentangan dengan deskripsi tersebut. Untuk perbaikan, hubungi Agen Servis Resmi atau dealer setempat.

Keadaan tidak normal	Kemungkinan penyebab (malfungsi)	Cara mengatasi
Mesin tidak mau hidup	Kecepatan tarikan yang rendah pada tali starter	Tarik kuat-kuat
	Bahan bakar kurang	Tambahkan bahan bakar
	Filter bahan bakar tersumbat	Bersihkan
	Saluran bahan bakar terhenti	Luruskan saluran bahan bakar
	Bahan bakar sudah rusak	Bahan bakar yang rusak membuat mesin lebih sulit dihidupkan. Gantilah dengan yang baru. (Penggantian yang disarankan: 1 bulan)
	Penghisapan bahan bakar berlebihan	Posisikan tuas gas ke kecepatan sedang hingga kecepatan tinggi, dan tarik gagang starter sampai mesin hidup. <b>Begitu mesin hidup, bilah pemotong mulai berputar. Perhatikan baik-baik bilah pemotong.</b> Jika mesin masih belum mau hidup juga, cabut busi, keringkan elektrodanya, dan pasang kembali seperti semula. Kemudian, starter sesuai petunjuk.
	Cop busi terlepas	Pasang kencang-kencang
	Busi kotor	Bersihkan
	Celah busi tidak normal	Setel celah
	Ketidakhormalan busi yang lain	Ganti
	Karburator tidak normal	Mintalah bantuan pemeriksaan dan pemeliharaan.
	Tali starter tidak dapat ditarik	Mintalah bantuan pemeriksaan dan pemeliharaan.
Sistem penggerak tidak normal	Mintalah bantuan pemeriksaan dan pemeliharaan.	
Mesin berhenti segera Kecepatan mesin tidak naik	Pemanasan tidak cukup	Lakukan pemanasan mesin
	Tuas cuk diposisikan ke "TUTUP" meskipun mesin telah dipanaskan.	Posisikan ke "BUKA"
	Filter bahan bakar tersumbat	Bersihkan
	Pembersih udara kotor atau tersumbat	Bersihkan
	Karburator tidak normal	Mintalah bantuan pemeriksaan dan pemeliharaan.
	Sistem penggerak tidak normal	Mintalah bantuan pemeriksaan dan pemeliharaan.
Bilah pemotong tidak berputar ↓ Matikan mesin segera	Mur pengencang bilah pemotong telah mengendur	Kencangkan kuat-kuat
	Ranting yang tersangkut pada bilah pemotong atau penutup pencegah penyebaran.	Bersihkan benda yang tersangkut
	Sistem penggerak tidak normal	Mintalah bantuan pemeriksaan dan pemeliharaan.
Unit utama bergetar tidak normal ↓ Matikan mesin segera	Bilah pemotong patah, bengkok, atau aus	Ganti bilah pemotong
	Mur pengencang bilah pemotong telah mengendur	Kencangkan kuat-kuat
	Bagian bilah pemotong yang cembung dan fitting pendukung bilah pemotong telah bergeser.	Pasang kencang-kencang
	Sistem penggerak tidak normal	Mintalah bantuan pemeriksaan dan pemeliharaan.
Bilah pemotong tidak langsung berhenti ↓ Matikan mesin segera	Putaran stasioner tinggi	Setel
	Kabel gas terlepas	Pasang kencang-kencang
	Sistem penggerak tidak normal	Mintalah bantuan pemeriksaan dan pemeliharaan.
Mesin tidak mau mati ↓ Jalankan mesin pada kecepatan stasioner, dan posisikan tuas cuk ke TUTUP	Konektor terlepas	Pasang kencang-kencang
	Sistem kelistrikan tidak normal	Mintalah bantuan pemeriksaan dan pemeliharaan.

Bila mesin tidak mau hidup setelah pemanasan:

Jika tidak ada hal yang tidak normal pada butir-butir yang diperiksa, buka gas sekitar 1/3 dan starter mesin.

Cám ơn bạn rất nhiều vì đã chọn máy cắt cỏ MAKITA. Chúng tôi rất vui mừng vì có thể cung cấp cho bạn máy cắt cỏ MAKITA, đây là kết quả của một chương trình phát triển lâu dài và kiến thức cũng như kinh nghiệm trong nhiều năm. Hãy đọc, hiểu rõ và làm theo sách hướng dẫn này, tham chiếu chi tiết tới nhiều điểm sẽ chứng minh được hiệu suất vượt trội của thiết bị. Điều này sẽ giúp bạn có được kết quả tốt nhất có thể từ máy cắt cỏ MAKITA của bạn.



Mục lục	Trang
Ký hiệu.....	40
Hướng dẫn an toàn .....	41
Dữ liệu kỹ thuật .....	45
Chỉ mục các bộ phận.....	46
Lắp ráp động cơ và trục .....	47
Lắp tay cầm .....	47
Lắp tấm bảo vệ.....	48
Lắp lưỡi cắt .....	50
Nhiên liệu/nạp lại nhiên liệu.....	52
Sử dụng máy đúng cách .....	53
Đưa vào vận hành.....	54
Mài sắc lại dụng cụ cắt.....	55
Lịch bảo trì.....	56
Bảo quản .....	57

## KÝ HIỆU

Bạn sẽ thấy các ký hiệu sau khi đọc tài liệu hướng dẫn này.

	Đọc tài liệu hướng dẫn		Không để người và vật nuôi ở trong khu vực làm việc
	Đặc biệt cẩn trọng và tập trung		Đội mũ bảo hộ, thiết bị bảo vệ mắt và tai
	Bị cấm		Tốc độ cho phép tối đa của dụng cụ
	Giữ khoảng cách		Xăng và hỗn hợp dầu
	Mối nguy hiểm từ vật thể bay		Khởi động động cơ bằng tay
	Không hút thuốc		Dừng khẩn cấp
	Không có ngọn lửa		Sơ cứu
	Phải đeo găng tay bảo hộ		BẬT/KHỞI ĐỘNG
	Đi ủng cứng với đế chống trượt. Khuyến cáo đi ủng bảo hộ được ốp thép ở ngón chân.		TẮT/DỪNG
	Lực đẩy ngược		

## HƯỚNG DẪN AN TOÀN

### Hướng dẫn chung

- Đọc tài liệu hướng dẫn này để làm quen với việc sử dụng thiết bị này. Người dùng không nắm đầy đủ thông tin sẽ gây nguy hiểm cho chính mình cũng như những người khác do vận hành không đúng cách.
- Chỉ nên cho những người biết sử dụng mượn thiết bị này. Luôn đưa kèm tài liệu hướng dẫn sử dụng máy.
- Người dùng đầu tiên nên hỏi người bán các hướng dẫn cơ bản để tự làm quen với việc sử dụng máy cắt cỏ.
- Không được cho trẻ em và người dưới 18 tuổi vận hành thiết bị này. Tuy nhiên, những người trên 16 tuổi có thể sử dụng thiết bị này cho mục đích đào tạo dưới sự giám sát của người hướng dẫn đủ trình độ.
- Phải hết sức cẩn trọng và tập trung khi sử dụng.
- Chỉ vận hành nếu tình trạng thể chất của bạn tốt. Thực hiện tất cả các công việc một cách điềm tĩnh và cẩn trọng. Người sử dụng phải chịu trách nhiệm với những người khác.
- Không bao giờ sử dụng thiết bị này sau khi uống rượu hay thuốc hoặc nếu bạn đang cảm thấy mệt mỏi hay ốm yếu.
- Quy định quốc gia có thể giới hạn việc sử dụng máy.

### Mục đích sử dụng của máy

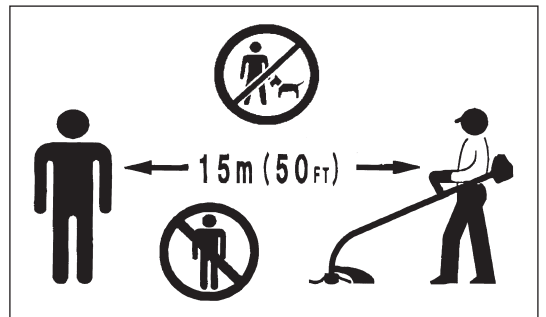
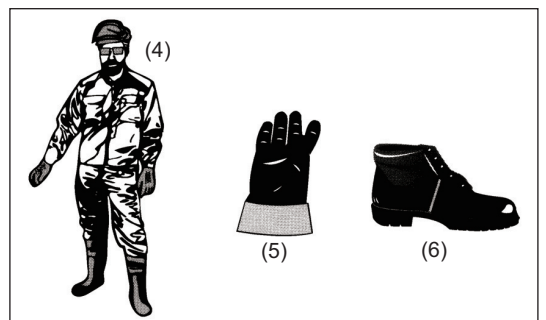
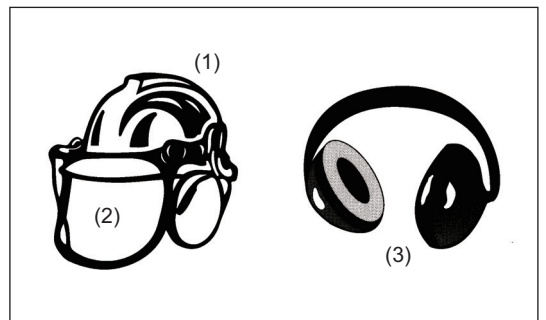
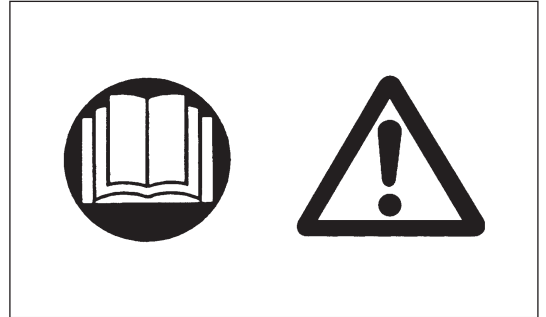
- Thiết bị này chỉ được sử dụng để cắt cỏ, cỏ dại, bụi cây, tàng cây thấp. Không được sử dụng thiết bị cho bất cứ mục đích nào khác chẳng hạn cắt hàng rào hoặc bờ rào vì điều này có thể gây thương tích.

### Thiết bị bảo hộ cá nhân

- Quần áo mặc phải hữu dụng và phù hợp, tức là phải vừa vặn và không gây vướng víu. Không đeo trang sức hoặc mặc quần áo có thể bị vướng vào bụi cây hoặc lùm cây.
- Để tránh các thương tích vào đầu, mắt, tay hoặc chân cũng như để bảo vệ thính giác của bạn, phải sử dụng thiết bị bảo vệ và quần áo bảo hộ sau trong quá trình vận hành.
- Luôn đội mũ bảo hộ ở những nơi có nguy cơ bị các vật rơi vào đầu. Mũ bảo hộ (1) phải được kiểm tra định kỳ để phát hiện hư hỏng và phải được thay thế muộn nhất là sau 5 năm. Chỉ sử dụng các mũ bảo hộ đã được chứng nhận.
- Tấm kính che mặt (2) của mũ bảo hộ (hoặc kính bảo hộ thay thế) bảo vệ mắt không bị các mảnh vụn và đá văng vào. Trong quá trình vận hành, luôn đeo kính bảo hộ hoặc tấm kính che mặt để ngăn ngừa các thương tích ở mắt.
- Đeo thiết bị bảo vệ đủ chống tiếng ồn để tránh suy giảm thính giác (bao bịt tai (3), nút bịt lỗ tai, v.v...).
- Quần áo bảo hộ lao động (4) chống lại đá và mảnh vụn văng vào. Chúng tôi khuyến khích người sử dụng nên mặc quần áo bảo hộ lao động.
- Găng tay (5) là một phần của thiết bị được quy định và phải luôn đeo trong quá trình vận hành.
- Khi sử dụng thiết bị, luôn đi giày cứng (6) có đế không trơn trượt. Điều này giúp tránh bị thương tích và đảm bảo việc đi lại an toàn.

### Khởi động máy cắt cỏ

- Hãy đảm bảo rằng không có trẻ em hoặc người khác trong phạm vi làm việc 15 mét (50 ft), đồng thời, chú ý đến bất kỳ con vật nào đang ở gần khu vực làm việc.
- Trước khi sử dụng, luôn kiểm tra xem thiết bị có an toàn để vận hành không: Kiểm tra độ an toàn của dụng cụ cắt, lấy gạt bướm ga nhằm đảm bảo dễ dàng thao tác và kiểm tra để đảm bảo rằng khoá lấy gạt bướm ga hoạt động đúng cách.
- Dụng cụ cắt không được phép xoay trong khi tốc độ không tải. Kiểm tra với đại lý của bạn để biết cách điều chỉnh nếu nghi ngờ. Kiểm tra xem các tay cầm có sạch và khô hay không đồng thời kiểm tra chức năng của nút khởi động/dừng.

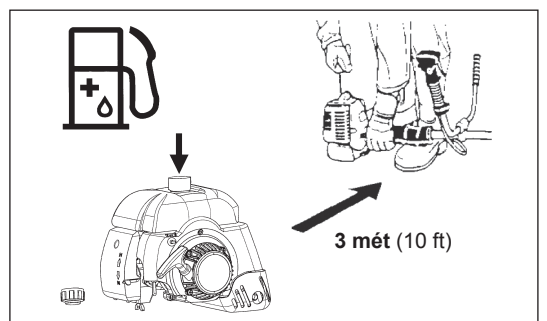
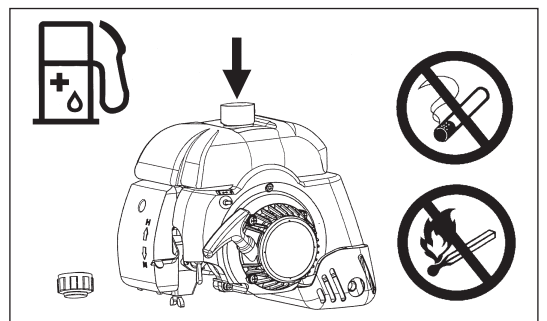
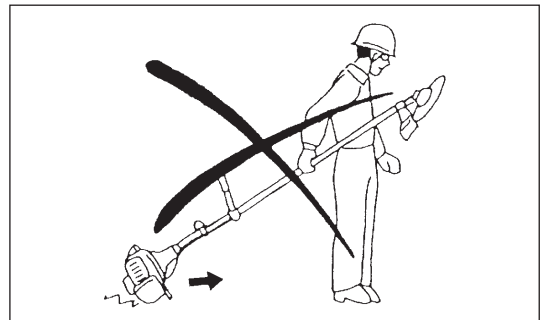
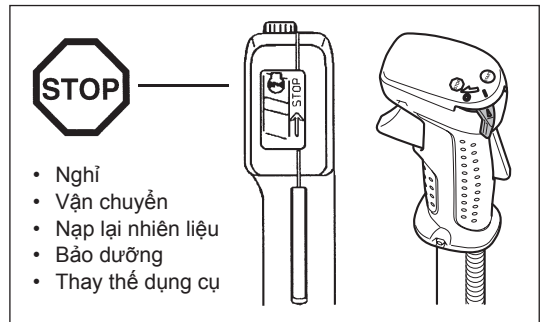
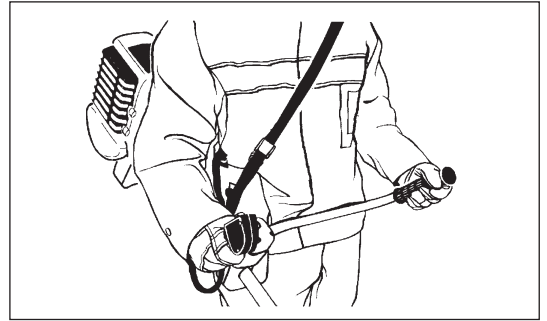
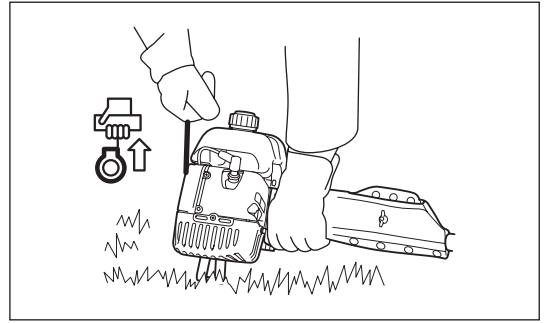


Chỉ khởi động máy cắt cỏ theo hướng dẫn.

- Không sử dụng bất kỳ phương pháp nào khác để khởi động động cơ!
- Chỉ sử dụng máy cắt cỏ và các dụng cụ cho những ứng dụng được chỉ định.
- Chỉ khởi động động cơ sau khi hoàn tất toàn bộ việc lắp ráp. Chỉ được phép vận hành thiết bị sau khi lắp tất cả các phụ tùng phù hợp!
- Trước khi khởi động, hãy đảm bảo rằng dụng cụ cắt không chạm vào các vật cứng như cành cây, đá, v.v... vì dụng cụ cắt sẽ xoay tròn khi khởi động.
- Tắt động cơ ngay lập tức trong trường hợp có sự cố động cơ.
- Nếu dụng cụ cắt tiếp xúc với đá hay vật cứng khác, hãy tắt ngay động cơ và kiểm tra dụng cụ cắt.
- Kiểm tra tình trạng hư hại của dụng cụ cắt tại mỗi khoảng thời gian ngắn (phát hiện các vết nứt mảnh bằng cách kiểm tra tiếng gõ nhẹ).
- Nếu thiết bị bị tác động mạnh hoặc rơi, hãy kiểm tra điều kiện trước khi tiếp tục làm việc. Kiểm tra hệ thống nhiên liệu để xem có rò rỉ nhiên liệu, đồng thời kiểm tra thiết bị điều khiển và thiết bị an toàn xem có hỏng hóc hay không. Nếu có bất kỳ hỏng hóc hoặc nghi ngờ gì, hãy yêu cầu trung tâm dịch vụ được ủy quyền kiểm tra và sửa chữa.
- Chỉ vận hành thiết bị khi dây an toàn được điều chỉnh cho phù hợp trước khi vận hành máy cắt cỏ. Cần thiết phải điều chỉnh dây an toàn theo kích cỡ người dùng để người dùng không bị mệt trong quá trình sử dụng. Không bao giờ cầm máy cắt bằng một tay trong khi sử dụng.
- Trong quá trình vận hành luôn cầm máy cắt cỏ bằng hai tay. Luôn đảm bảo bạn có chỗ để chân an toàn.
- Vận hành thiết bị này theo cách sao cho tránh hít phải khí thải. Không chạy động cơ trong phòng kín (nguy cơ nhiễm độc khí). Oxit cacbon là khí không mùi.
- Tắt động cơ khi nghỉ ngơi cũng như khi không giám sát thiết bị này và đặt thiết bị ở một địa điểm an toàn để ngăn ngừa việc gây nguy hiểm cho người khác hoặc làm hỏng máy.
- Không đặt máy cắt cỏ đang nóng lên cỏ khô hay lên bất cứ vật liệu dễ cháy nổ nào.
- Luôn lắp phần bảo vệ dụng cụ cắt được phê chuẩn vào thiết bị trước khi khởi động động cơ. Nếu không, tiếp xúc với dụng cụ cắt có thể gây thương tích nghiêm trọng.
- Tất cả các bộ phận lắp đặt bảo vệ và các phần bảo vệ được cung cấp cùng với máy phải được sử dụng trong quá trình vận hành.
- Không vận hành động cơ có bộ giảm thanh bị hỏng.
- Tắt động cơ trong quá trình vận chuyển.
- Khi vận chuyển thiết bị, luôn lắp vỏ bảo vệ vào lưỡi cắt.
- Đảm bảo vị trí an toàn của thiết bị trong quá trình vận chuyển bằng ô tô để tránh rò rỉ nhiên liệu.
- Khi vận chuyển, đảm bảo rằng bình nhiên liệu hoàn toàn trống.
- Khi dỡ thiết bị này khỏi xe, không được thả Động cơ xuống đất, nếu không điều này có thể gây hư hỏng nghiêm trọng bình nhiên liệu.
- Trừ trường hợp khẩn cấp, không bao giờ thả hoặc ném thiết bị xuống đất, nếu không điều này có thể gây hư hỏng thiết bị nghiêm trọng.
- Nhớ nhấc toàn bộ thiết bị lên khỏi mặt đất khi di chuyển thiết bị. Kéo bình nhiên liệu là rất nguy hiểm và sẽ gây hư hỏng và rò rỉ nhiên liệu, có thể gây cháy.

### Nạp lại nhiên liệu

- Tắt động cơ trong khi nạp lại nhiên liệu, tránh xa ngọn lửa trần và không hút thuốc.
- Tránh để da tiếp xúc với các sản phẩm dầu khoáng. Không hít hơi nhiên liệu. Luôn đeo găng tay bảo hộ trong khi nạp lại nhiên liệu. Thay đổi và làm sạch quần áo bảo hộ theo chu kỳ thường xuyên.
- Cần thận để không làm tràn xăng hoặc dầu để tránh làm đất bị nhiễm bẩn (bảo vệ môi trường). Lau sạch máy cắt cỏ ngay sau khi nhiên liệu bị tràn.
- Tránh để nhiên liệu tiếp xúc với quần áo. Thay quần áo của bạn ngay lập tức nếu bị đổ nhiên liệu lên (để tránh quần áo bắt lửa).
- Thường xuyên kiểm tra nắp bình nhiên liệu, đảm bảo rằng nó được vận chặt và không làm rò rỉ nhiên liệu.
- Vận chặt cẩn thận nắp bình nhiên liệu. Thay đổi vị trí khởi động động cơ (cách vị trí nạp lại nhiên liệu ít nhất 3 m).
- Không nạp lại nhiên liệu trong phòng kín. Hơi nhiên liệu tích tụ ở mặt đất (nguy cơ cháy nổ).
- Chỉ vận chuyển và chứa nhiên liệu trong các bình chứa được phê duyệt. Đảm bảo trẻ em không thể tiếp cận nhiên liệu được cất giữ.





## Phương pháp vận hành

- Chỉ sử dụng trong điều kiện ánh sáng và tầm nhìn tốt. Vào mùa đông, lưu ý khu vực trơn hoặc ướt, băng đá và tuyết (rủi ro trượt ngã). Luôn đảm bảo bạn có chỗ để chân an toàn.
- Không bao giờ cắt ở độ cao trên thắt lưng.
- Không được đứng trên thang.
- Không trèo lên cây để thực hiện công việc cắt.
- Không bao giờ đứng lên bề mặt không ổn định để làm việc.
- Dọn sạch cát, đá, đinh, v.v.. có trong phạm vi làm việc. Các vật lạ có thể làm hư hại dụng cụ cắt và có thể gây nguy hiểm nếu bị bắn ngược trở lại.
- Trước khi tiến hành cắt, dụng cụ cắt phải đạt tốc độ hoạt động tối đa.
- Khi sử dụng lưỡi dao kim loại, quay đều dụng cụ nửa vòng từ phải sang trái giống như sử dụng một lưỡi hái. Nếu cỏ hoặc nhánh cây bị kẹt vào giữa dụng cụ cắt và phần bảo vệ, luôn ngừng động cơ trước khi làm sạch. Nếu không, việc vô tình quay lưỡi cắt có thể gây thương tích nghiêm trọng.
- Hãy nghỉ ngơi để tránh mất kiểm soát do mệt mỏi gây ra. Chúng tôi khuyên bạn nên nghỉ ngơi từ 10 đến 20 phút mỗi giờ.

## Dụng cụ Cắt

- Sử dụng dụng cụ cắt có thể áp dụng cho công việc đang thực hiện. Các lưỡi dao kim loại phù hợp cho việc cắt cỏ dại, cỏ mọc cao, bụi cây, cây bụi, bụi cây thấp, và các loại tương tự như thế. Không được sử dụng các lưỡi cắt khác kể cả xích quay nhiều mảnh bằng kim loại và lưỡi đập. Nếu không, có thể dẫn đến thương tích nghiêm trọng.
- Khi sử dụng lưỡi dao kim loại, tránh “lực đẩy ngược” và luôn sẵn sàng cho tình huống có lực đẩy ngược bất ngờ. Chọn phần “Lực đẩy ngược” và “Ngăn lực đẩy ngược”.

## Lực đẩy ngược (lực đẩy lưỡi cắt)

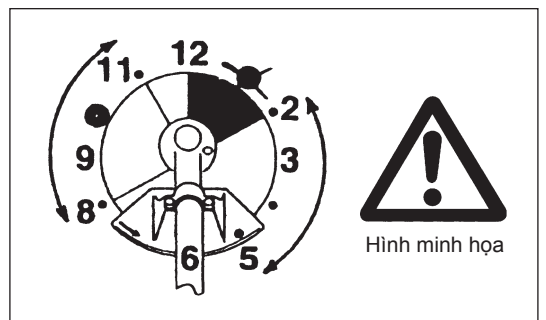
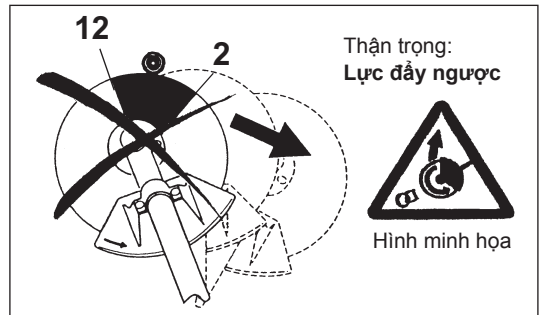
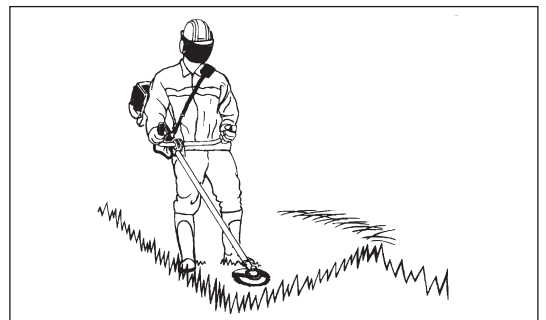
- Đẩy ngược (lực đẩy lưỡi cắt) là hiện tượng phản ứng lại đột ngột xảy ra khi lưỡi cắt bị kẹt hay bị vướng. Khi xảy ra đẩy ngược, thiết bị sẽ bị văng sang một bên hoặc về phía người vận hành với lực rất mạnh và có thể gây thương tích nghiêm trọng.
- Lực đẩy ngược thường xảy ra khi sử dụng phần lưỡi dao giữa 12 và 2 giờ vào chất rắn, bụi cây và cây có đường kính 3 cm hoặc lớn hơn.
- Để tránh lực đẩy ngược:
  - Sử dụng phần lưỡi dao giữa 8 và 11 giờ;
  - Không sử dụng phần lưỡi dao giữa 12 và 2 giờ;
  - Không sử dụng phần lưỡi dao giữa 11 và 12 giờ và giữa 2 và 5 giờ, trừ khi người vận hành được đào tạo tốt và có kinh nghiệm chuyên sâu, đồng thời bản thân họ phải tự chịu mọi rủi ro;
  - Không sử dụng lưỡi cắt gần với các chất rắn, như hàng rào, tường, thân cây và đá;
  - Không sử dụng lưỡi cắt theo chiều dọc để vận hành cho công việc như cắt hàng rào và bờ rào.

## Chấn động

- Những người có hệ tuần hoàn kém, tiếp xúc lâu với chấn động, có thể bị tổn thương mạch máu hoặc hệ thần kinh. Sự chấn động có thể gây ra các triệu chứng sau xảy ra đối với ngón tay, bàn tay và cổ tay: “Buồn ngủ” (tê), đau dây thần kinh, đau đớn, cảm giác đau nhói, thay đổi màu da hoặc da. Nếu có bất kỳ triệu chứng nào, hãy đến gặp bác sĩ!
- Để giảm nguy cơ “bệnh trắng ngón tay”, Hãy giữ ấm tay khi vận hành và bảo dưỡng tốt thiết bị và phụ kiện.

## Hướng dẫn bảo trì

- Yêu cầu trung tâm dịch vụ được ủy quyền của chúng tôi bảo trì thiết bị của bạn, luôn sử dụng phụ tùng thay thế chính hãng. Việc bảo trì kém và sửa chữa không đúng có thể rút ngắn tuổi thọ thiết bị cũng như làm tăng nguy cơ tai nạn.
- Trước khi bắt đầu công việc phải kiểm tra tình trạng của máy cắt, đặc biệt là dụng cụ cắt của thiết bị bảo vệ cũng như phải kiểm tra dây đeo. Đặc biệt chú ý các lưỡi cắt phải được mài sắc phù hợp.
- Tắt động cơ và tháo đầu nối bu-gi khi thay hoặc mài sắc các dụng cụ cắt và đồng thời khi làm sạch máy cắt hoặc dụng cụ cắt.



### **Không cán phẳng hoặc hàn các dụng cụ cắt bị hỏng.**

- Chú ý đến môi trường. Tránh vận hành bơm ga khi không cần thiết để giảm ô nhiễm và phát tiếng ồn. Điều chỉnh bộ chế hoà khí chính xác.
- Làm sạch thiết bị này thường xuyên và kiểm tra rằng tất cả các vít và đai ốc đều được siết chặt.
- Không bảo dưỡng hoặc cắt thiết bị ở gần ngọn lửa trần.
- Luôn cất thiết bị trong phòng có khoá và khi bình nhiên liệu đã hết.
- Khi lau sạch, bảo trì và cất giữ thiết bị, luôn lắp vỏ bảo vệ vào lưỡi cắt.



Tuân thủ các hướng dẫn phòng tránh tai nạn phù hợp do các hiệp hội thương mại có liên quan và các công ty bảo hiểm đưa ra. Không thực hiện bất kỳ sửa đổi nào đối với thiết bị vì việc đó đe dọa sự an toàn của bạn.

Việc thực hiện các công việc bảo trì hoặc sửa chữa do người sử dụng tiến hành bị giới hạn đối với các hành động được mô tả trong tài liệu hướng dẫn này. Tất cả những công việc khác do Đại lý Dịch vụ Ủy quyền thực hiện. Chỉ sử dụng bộ phận thay thế chính hãng và các phụ tùng được MAKITA phát hành và cung cấp.

Sử dụng các phụ tùng và dụng cụ không được chấp thuận làm tăng nguy cơ tai nạn.

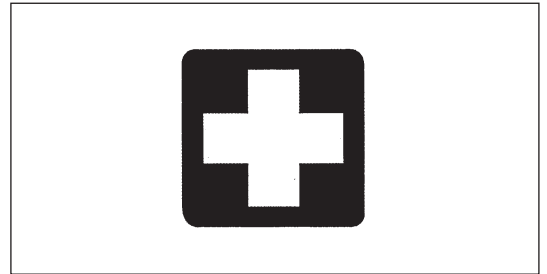
MAKITA sẽ không nhận bất kỳ trách nhiệm pháp lý nào đối với các tai nạn hoặc hỏng hóc do việc sử dụng dụng cụ cắt và các thiết bị cố định dụng cụ cắt hoặc phụ tùng không được phê duyệt gây ra.

### **Sơ cứu**

Trong trường hợp tai nạn, đảm bảo rằng có hộp sơ cứu ở gần khu vực của hoạt động cắt. Ngay lập tức thay thế bất kỳ thứ gì lấy từ hộp sơ cứu.

### **Khi yêu cầu trợ giúp, hãy cung cấp các thông tin sau:**

- Nơi xảy ra tai nạn
- Chuyện gì đã xảy ra
- Số người bị thương
- Loại thương tích
- Tên của bạn





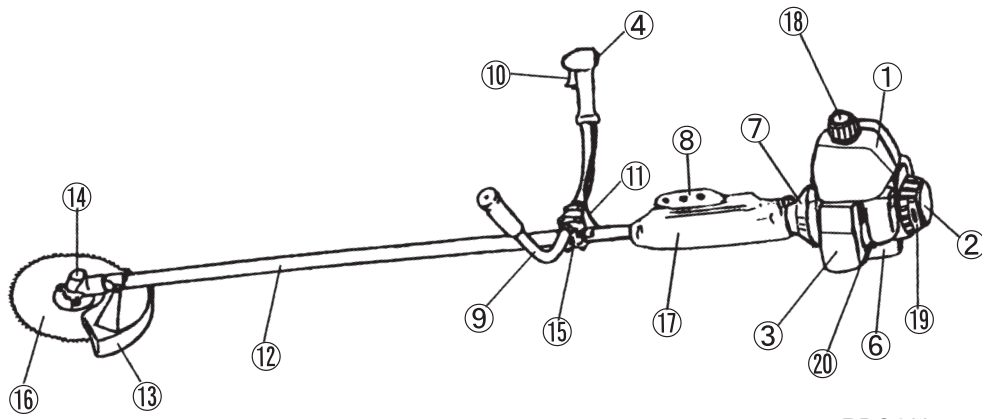
## DỮ LIỆU KỸ THUẬT

Kiểu máy		RBC411	RBC411U
		Tay cầm hình chữ U	
Kích thước: dài x rộng x cao (không bao gồm lưới cắt)	mm	1.705 x 620 x 435	1.710 x 670 x 430
Khối lượng (không bao gồm phần bảo vệ bằng nhựa và lưới cắt)	kg	7,3	
Thể tích (binh nhiên liệu)	L	1,1	
Dung tích động cơ	cm <sup>3</sup>	40,2	
Hiệu suất động cơ tối đa	kW	1,47 với tốc độ 7.000 min <sup>-1</sup>	
Tốc độ động cơ tại tốc độ quay tối đa được khuyến nghị	min <sup>-1</sup>	10.000	
Tốc độ quay tối đa (tương ứng)	min <sup>-1</sup>	6.800	
Mức tiêu thụ nhiên liệu	kg/h	0,98 (32,8 oz/h)	
Mức tiêu thụ nhiên liệu cụ thể	g/kWh	1134,5 (29,9 oz/kwh)	
Tốc độ không tải	min <sup>-1</sup>	2.800	
Tốc độ khớp ly hợp	min <sup>-1</sup>	3.600	
Bộ chế hòa khí		Phao - loại bộ chế hòa khí	
Hệ thống đánh lửa	loại	Đánh lửa thể rắn	
Bu-gi	loại	NGK BPM7A	
Khe điện cực	mm	0,6 – 0,7	
Tỷ lệ hỗn hợp (Xăng: dầu động cơ 2 kỳ MAKITA)		25 : 1	
Tỷ số truyền		13/19	

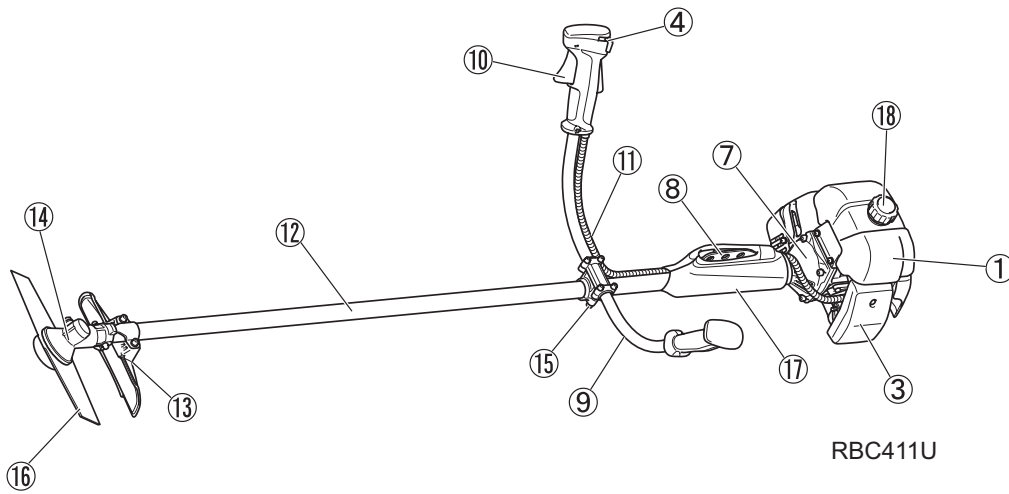
1) Dữ liệu tính đến như nhau các chế độ hoạt động với tốc độ không tải và đua hoặc tốc độ bướm ga mở rộng.

BC411U: Kiểu máy này thích hợp để sử dụng với xăng E20.

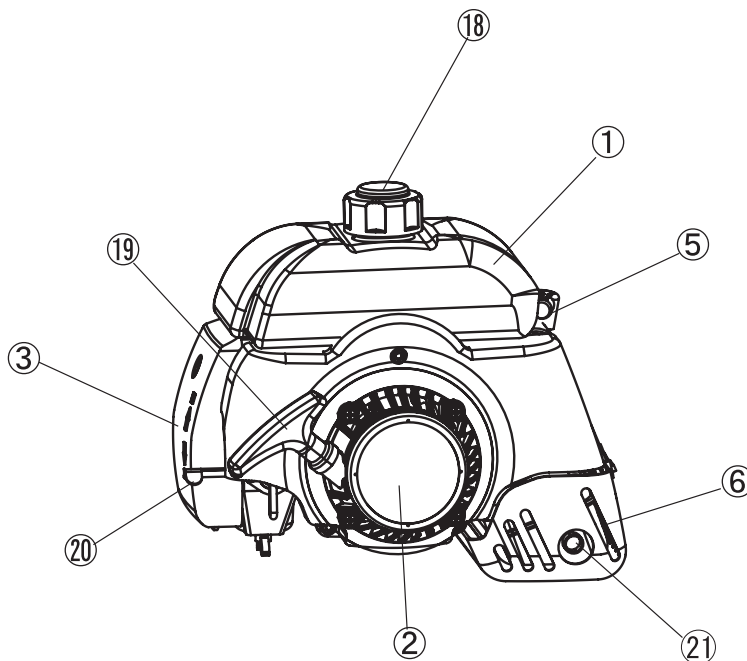
## CHỈ MỤC CÁC BỘ PHẬN



RBC411



RBC411U



VI	CHỈ MỤC CÁC BỘ PHẬN
1	Bình Nhiên liệu
2	Bộ khởi động Cuộn
3	Bộ lọc Gió
4	Công tắc I-O (bật/tắt)
5	Bu-gi
6	Bộ giảm thanh
7	Hộp Ly hợp
8	Móc treo
9	Tay cầm
10	Lấy gạt Bướm ga
11	Dây điều chỉnh
12	Trục
13	Tấm bảo vệ
14	Hộp chạy dao
15	Phần giữ Tay cầm
16	Lưới cắt
17	Tấm ốp eo
18	Nắp bình Nhiên liệu
19	Núm Khởi động
20	Lấy gạt bướm gió
21	Ống xả

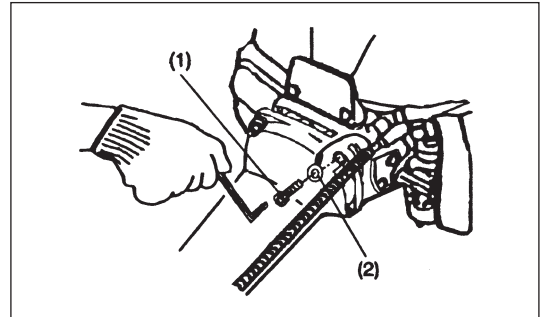
## LẮP RÁP ĐỘNG CƠ VÀ TRỤC

**THẬN TRỌNG:** Trước khi thực hiện bất kỳ thao tác nào trên máy cắt cỏ, luôn dừng động cơ và kéo đầu nối bu-gi khỏi bu-gi.

Luôn đeo găng tay bảo hộ.

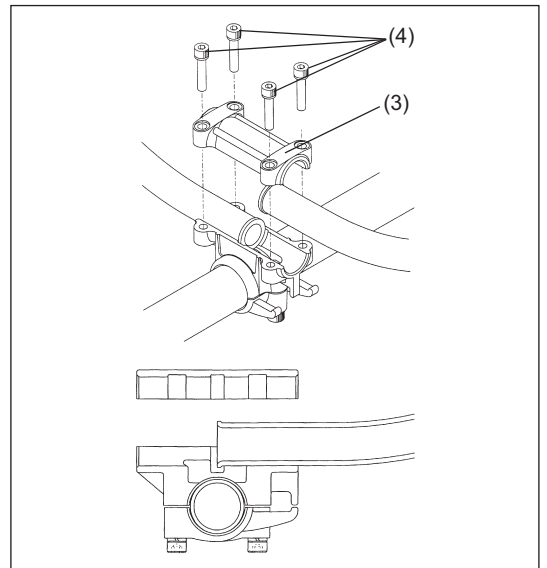
**THẬN TRỌNG:** Chỉ khởi động máy cắt cỏ sau khi đã lắp đặt hoàn chỉnh thiết bị.

- Sau khi kiểm tra các bộ phận, vận chặt trục phát động vào động cơ bằng bốn bu-lông M6 x 22 (1). Tại thời điểm này, cũng vận chặt đầu kẹp dây tiếp đất (2) của dây dùng vào động cơ.



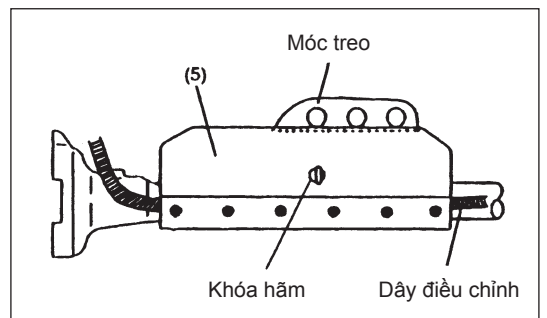
## LẮP TAY CẦM

- Đặt tay cầm có lẫy gạt bướm ga lên phần giữ tay cầm ở bên phải (được cầm bằng tay phải) và phần kia ở bên trái.
- Đưa mép tay cầm vào rãnh của phần giữ tay cầm và tạm thời cố định phía trên (3) của phần giữ tay cầm bằng bốn bu-lông M5 x 25 (4).
- Điều chỉnh tay cầm về góc sao cho dễ dàng thao tác rồi vận chặt đều bu lông (4) ở bên trái và bên phải.



- Lắp tấm ốp eo (5). Khi tấm ốp eo đã được lắp, chắc chắn xác nhận rằng dây không di chuyển theo chiều ngang.
- Tránh cuộn dây điều chỉnh ở thanh tay cầm.

Mục đích của việc khóa hãm là nhằm tránh động cơ xoay theo trục phát động trong khi vận hành bộ khởi động hoặc chuyển thiết bị từ chỗ này sang chỗ khác. Phải mở khóa hãm khi thiết bị đang được sử dụng.



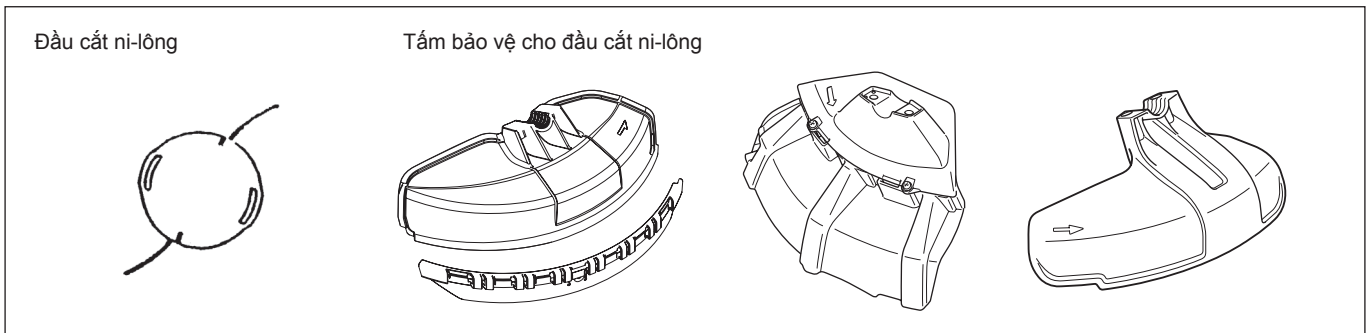
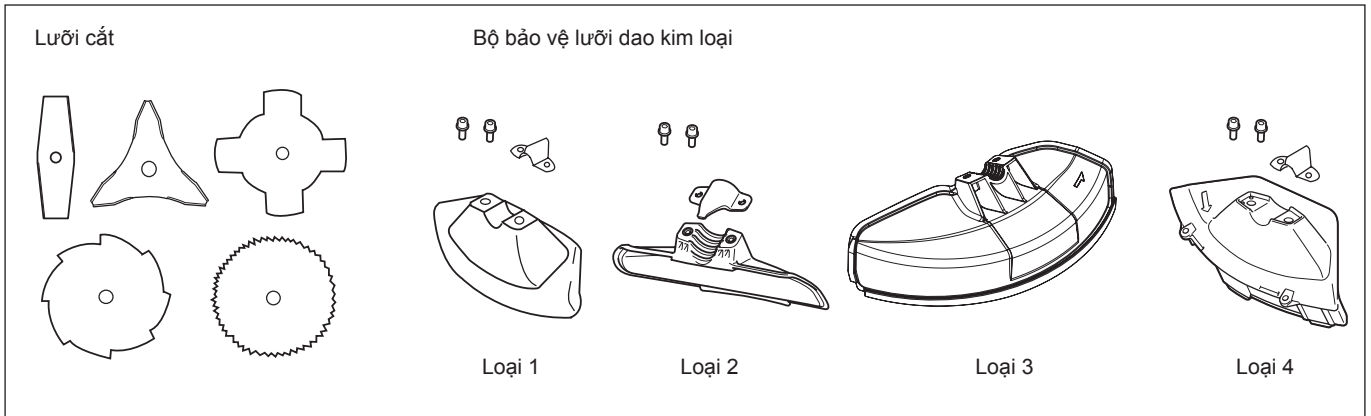
## LẮP TẮM BẢO VỆ

Để đáp ứng các quy định về an toàn có thể áp dụng, chỉ sử dụng kết hợp giữa dụng cụ/tấm bảo vệ như được đề cập ở trong bảng.



### Đảm bảo sử dụng lưỡi cắt hoặc đầu cắt ni-lông Makita chính hãng.

- Lưỡi cắt phải bóng láng, không có vết nứt hoặc gãy.
- Nếu lưỡi cắt chạm phải đá trong khi vận hành, hãy dừng động cơ và kiểm tra lưỡi dao ngay lập tức.
- Đánh bóng hoặc thay lưỡi cắt cứ sau ba giờ vận hành.
- Đường kính ngoài của lưỡi cắt phải bằng 255 mm (10"). Lưỡi cắt có đường kính ngoài là 305 mm hoặc 12 inch chỉ có thể được sử dụng cho những lưỡi cắt có hai hoặc ba lưỡi.



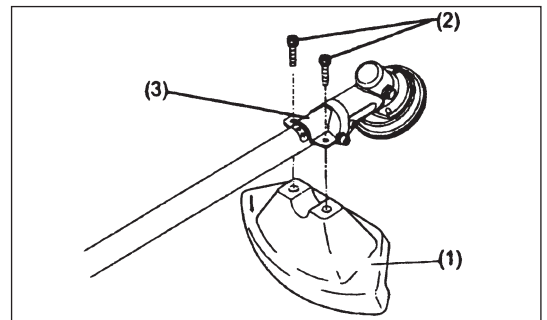
**THẬN TRỌNG:** Phải luôn lắp tấm bảo vệ thích hợp, vì sự an toàn của chính bạn và để tuân thủ quy định về phòng tránh tai nạn. Không cho phép vận hành thiết bị mà không có phần bảo vệ được lắp.

### Loại 1, 2

- Vận chặt tấm bảo vệ (1) vào kẹp (3) bằng hai bu-lông M6 x 30 (2).

**CHÚ Ý:** Vận các bu-lông bên phải và trái đều nhau để khoảng cách giữa kẹp (3) và tấm bảo vệ (1) sẽ không thay đổi.  
Nếu không tinh chỉnh khoảng tấm bảo vệ có thể không hoạt động như được chỉ định.

**THẬN TRỌNG:** Đường kính ngoài của lưỡi cắt phải bằng 255 mm (10"). Lưỡi cắt có đường kính ngoài là 305 mm hoặc 12 inch chỉ có thể được sử dụng cho những lưỡi cắt có hai hoặc ba lưỡi.



### Loại 3

- Nếu sử dụng lưới dao kim loại, cố định tấm bảo vệ (3) với kẹp (2) bằng hai bu-lông (1).

CHÚ Ý: Vặn các bu-lông bên phải và trái đều nhau để khoảng cách giữa kẹp (2) và tấm bảo vệ (3) sẽ không đổi.

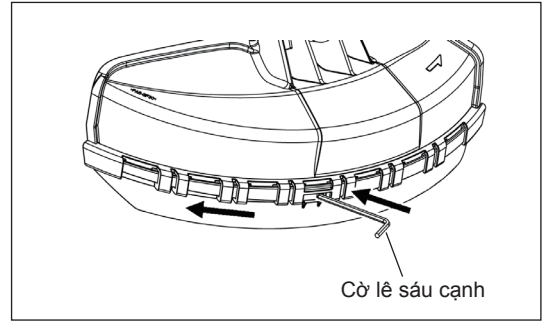
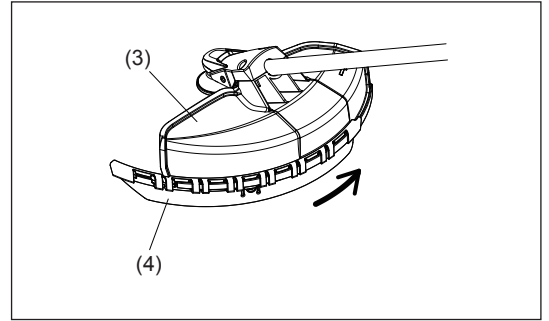
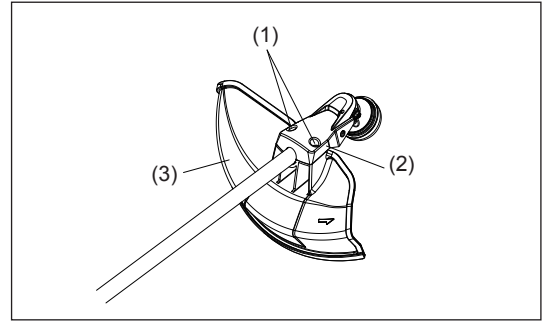
Nếu không thỉnh thoảng tấm bảo vệ có thể không hoạt động như được chỉ định.

THẬN TRỌNG: Đường kính ngoài của lưới cắt phải bằng 255 mm (10"). Lưới cắt có đường kính ngoài là 305 mm hoặc 12 inch chỉ có thể được sử dụng cho những lưới cắt có hai hoặc ba lưới.

- Trong trường hợp sử dụng dao cắt dây ni-lông, hãy nhớ lắp tấm bảo vệ dao cắt dây ni-lông (4) vào tấm bảo vệ lưới dao kim loại (3).
- Lắp tấm bảo vệ dao cắt dây ni-lông (4) bằng cách trượt nó vào vị trí từ bên sườn của tấm bảo vệ lưới dao kim loại (3) như trong hình minh họa.
- Hãy tháo băng dính có ở dao cắt dây ni-lông, trên tấm bảo vệ dao cắt dây ni-lông (4).

THẬN TRỌNG: Đảm bảo đầy tấm bảo vệ dao cắt dây ni-lông (4) cho tới khi nó được lắp hoàn toàn.  
Cẩn thận để không làm chính bạn bị thương do dao cắt dây ni-lông.

- Để tháo tấm bảo vệ dao cắt dây ni-lông (4), đưa cờ lê sáu cạnh vào nắp trên tấm bảo vệ lưới dao kim loại (3), đẩy cờ lê sáu cạnh vào trong đồng thời trượt tấm bảo vệ dao cắt dây ni-lông (4).



### Loại 4

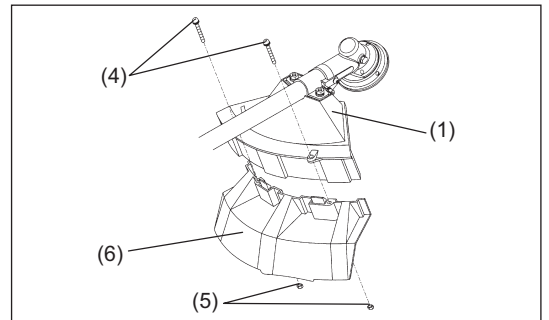
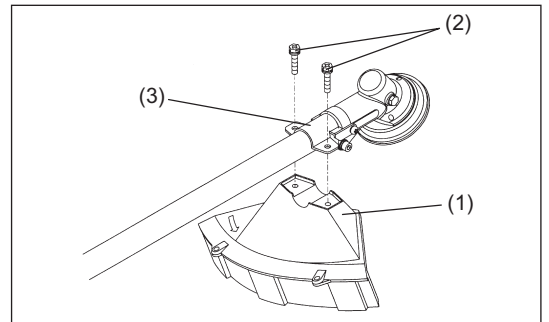
- Cố định tấm bảo vệ (1) vào kẹp (3) bằng hai bu-lông M6 x 30 (2).

CHÚ Ý: Vặn các bu-lông bên phải và trái đều nhau để khoảng cách giữa kẹp (3) và tấm bảo vệ (1) sẽ không đổi.

Nếu không thỉnh thoảng tấm bảo vệ có thể không hoạt động như được chỉ định.

THẬN TRỌNG: Đường kính ngoài của lưới cắt phải bằng 255mm (10"). Không sử dụng bất kỳ lưới dao nào có đường kính ngoài vượt quá 255 mm (10").

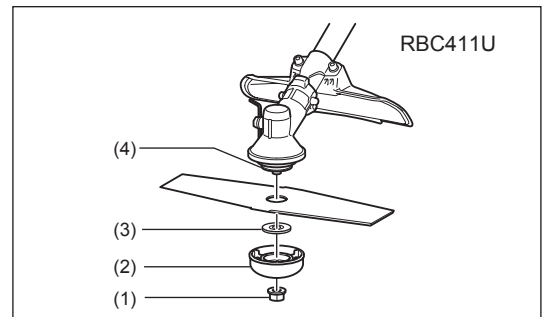
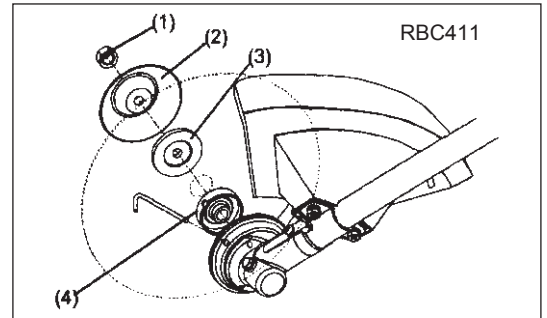
- Nếu sử dụng đầu cắt ni-lông, lắp tấm bảo vệ (6) vào tấm bảo vệ (1) và vặn chặt chúng bằng hai vít (4) và hai đai ốc (5).



## LẮP LƯỚI CẮT



- Đưa cờ lê sáu cạnh vào qua lỗ trong hộp chạy dao và xoay chặt vòng đệm nhận (4) bằng cờ lê sáu cạnh cho đến khi nó được khóa.
- Nới lỏng đai ốc (1) (ren ngược) bằng chìa vặn đầu ống và tháo đai ốc (1), vòng bít (2) và vòng đệm kẹp (3).



### Lắp lưới cắt

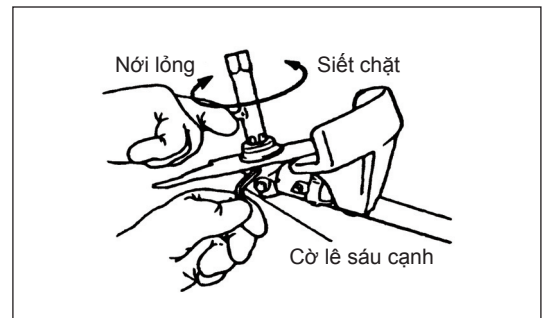
Với cờ lê sáu cạnh vẫn đang được sử dụng.

- Lắp lưới cắt vào trục để đường dẫn của vòng đệm nhận (4) vừa với lỗ của trục trong lưới cắt. Lắp vòng đệm kẹp (3), vòng bít (2) và cố định lưới cắt bằng đai ốc (1).

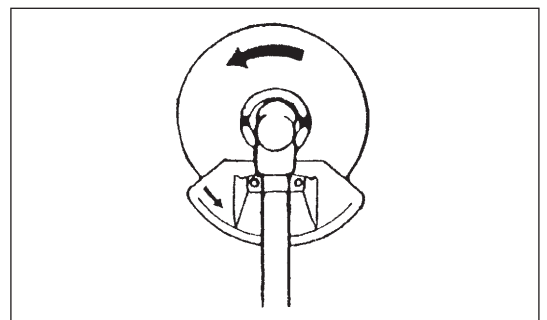
[Mômen xoắn siết chặt: 13 - 23 N·m]

CHÚ Ý: Luôn đeo găng tay khi cầm lưới cắt.

CHÚ Ý: Đai ốc giúp vặn chặt lưới cắt (với vòng đệm lò xo) là phần có thể bị mòn. Nếu xuất hiện bất kỳ sự hiện tượng mòn hoặc biến dạng nào trên vòng đệm lò xo, hãy thay đai ốc.

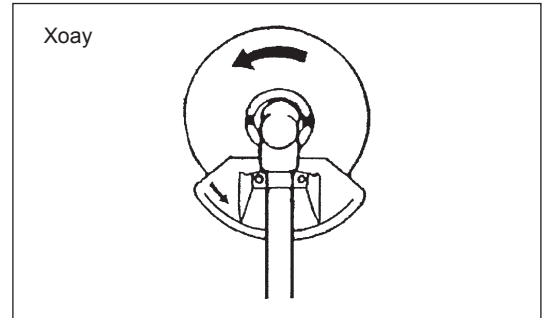
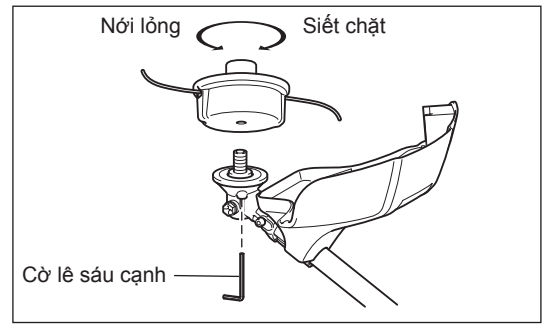


Đảm bảo rằng lưới dao có chiều trái hướng lên.



### Lắp đầu cắt ni-lông

- Không cần thiết phải có vòng đệm kẹp (3), vòng bít (2) và đai ốc (1) để lắp đầu cắt ni-lông. Đầu cắt ni-lông phải được đặt trên vòng đệm nhận (4).
- Đưa cờ lê sáu cạnh vào qua lỗ trong hộp chạy dao và xoay chặt vòng đệm nhận (4) bằng cờ lê sáu cạnh cho đến khi nó được khóa.
- Sau đó, siết chặt đầu cắt ni-lông vào trục bằng cách xoay vít ngược chiều kim đồng hồ.
- Tháo cờ lê sáu cạnh ra.



## NHIÊN LIỆU/NẠP LẠI NHIÊN LIỆU



### Vận chuyển các sản phẩm dầu mỡ

Phải hết sức cẩn thận khi vận chuyển nhiên liệu. Nhiên liệu có thể chứa các chất tương tự như dung môi. Nạp lại xăng ở khu vực được thông gió tốt hoặc ở ngoài trời. Không hít hơi xăng, tránh để da tiếp xúc với xăng hoặc dầu.

Các sản phẩm dầu khoáng sẽ khô ở da bạn. Nếu da của bạn tiếp xúc với những chất này liên tục và trong thời gian dài, bạn có thể bị các bệnh khác nhau về da. Ngoài ra, có thể xảy ra dị ứng. Mắt có thể bị bỏng rát do tiếp xúc với dầu, xăng, v.v.

Nếu dầu bắn vào mắt, ngay lập tức hãy rửa mắt bằng nước sạch.

Nếu mắt vẫn bị bỏng rát, hãy gặp bác sĩ ngay lập tức.



Tuân thủ Hướng dẫn An toàn trên trang 42!

### Xăng và hỗn hợp dầu

Động cơ của máy cắt cỏ là động cơ hai kỳ hiệu suất cao.

Động cơ này chạy bằng hỗn hợp gồm xăng và dầu động cơ hai kỳ. Động cơ được thiết kế để sử dụng xăng không pha chì thông thường với giá trị octan tối thiểu là 91 ROZ. Trong trường hợp không sẵn có xăng như vậy, bạn có thể sử dụng xăng có giá trị octan cao hơn. Loại xăng này sẽ không ảnh hưởng động cơ, nhưng có thể gây ra hiệu suất vận hành kém.

Trường hợp tương tự cũng xảy ra khi sử dụng xăng có pha chì. Để có thể vận hành động cơ tối ưu và bảo vệ sức khỏe của bạn cũng như môi trường, chỉ nên sử dụng xăng không pha chì!

BC411U: Kiểu máy này thích hợp để sử dụng với xăng E20.

Để bôi trơn động cơ, sử dụng dầu động cơ hai kỳ (mức chất lượng: TC-3), được thêm vào nhiên liệu. Động cơ đã được thiết kế để sử dụng dầu động cơ hai kỳ MAKITA được chỉ định với tỷ lệ hỗn hợp 25:1 nhằm bảo vệ môi trường. Ngoài ra, việc này đảm bảo tuổi thọ máy lâu hơn và vận hành tin cậy với mức khí thải tối thiểu. Bạn cần phải tuân thủ tỷ lệ hỗn hợp 25:1 của dầu động cơ 2 kỳ MAKITA. Nếu không, mức độ tin cậy của máy cắt cỏ không được đảm bảo.

### Tỷ lệ hỗn hợp đúng:

Trộn 25 phần xăng với 1 phần dầu động cơ 2 kỳ MAKITA (xem bảng bên phải).

**CHÚ Ý:** Để chuẩn bị hỗn hợp xăng-dầu, trước tiên hãy trộn toàn bộ lượng dầu với nửa lượng xăng cần thiết trong bình chứa được phê duyệt, đập úng hoặc vượt tất cả các tiêu chuẩn của bộ luật địa phương rồi thêm phần xăng còn lại. Lắc kỹ hỗn hợp trước khi đổ vào bình chứa của máy cắt cỏ. Không nên thêm nhiều dầu động cơ hơn mức chỉ định để đảm bảo vận hành an toàn. Làm như vậy sẽ chỉ tạo ra lượng chất dư của quá trình đốt cháy cao hơn, sẽ làm ô nhiễm môi trường và tắc đường ống xả trong xi-lanh, bu-gi cũng như bộ giảm thanh. Ngoài ra, mức tiêu thụ nhiên liệu sẽ tăng lên và hiệu suất sẽ giảm đi.

### Nạp lại nhiên liệu

Không được tiến hành nạp lại nhiên liệu ở khu vực kín và không thông gió.

### Phải tắt động cơ!



- Làm sạch kỹ khu vực quanh nắp bình nhiên liệu để tránh bụi bắn rơi vào bình nhiên liệu.
- Tháo nắp và nạp nhiên liệu vào bình.
- Không được đổ quá đầy vào bình nhiên liệu.
- Vận chặt nắp bình nhiên liệu.
- Lau nắp có ren và bình bằng vải thấm hút sau khi nạp lại nhiên liệu!  
Đề vải khô và bỏ vào bình chứa thích hợp.

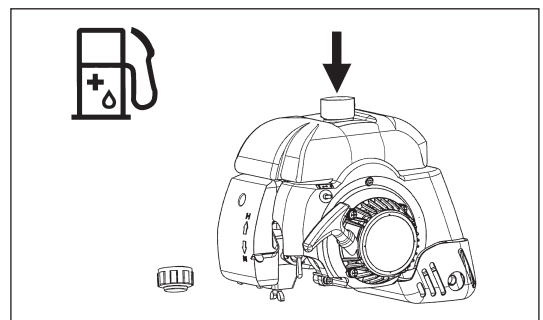
### Bảo quản Nhiên liệu

Không thể lưu trữ nhiên liệu trong thời gian vô hạn.

Chỉ mua lượng nhiên liệu cần thiết cho khoảng thời gian vận hành 4 tuần. Chỉ sử dụng bình chứa nhiên liệu được phê duyệt.



Xăng (cao cấp không pha chì)	+	25:1 OIL
		
1.000 cc (1L)		40 cc
5.000 cc (5L)		200 cc
10.000 cc (10L)		400 cc







Loại I hoặc II dưới đây được bao gồm trong gói dụng cụ. Luôn đeo dây an toàn khi vận hành máy cắt cỏ.

**Loại I**

**Lắp dây an toàn**

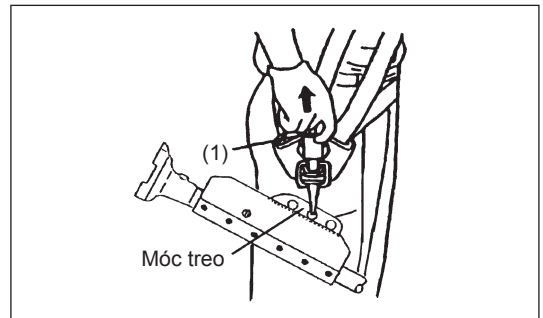
– Điều chỉnh chiều dài của dây đeo để lưỡi cắt được giữ song song với mặt đất.



**Tháo**

– Trong trường hợp khẩn cấp, tháo lấy tháo khẩn cấp (1) bằng cách dùng ngón tay kéo mạnh. Máy rời khỏi thân.  
Phải cực kỳ thận trọng để giữ kiểm soát thiết bị vào thời điểm này. Không để thiết bị chệch hướng về phía bạn hoặc bất kỳ ai ở gần khu vực làm việc.

**CẢNH BÁO:** Không duy trì điều khiển máy hoàn toàn có thể dẫn đến thương tích cơ thể nghiêm trọng hoặc TỬ VONG.

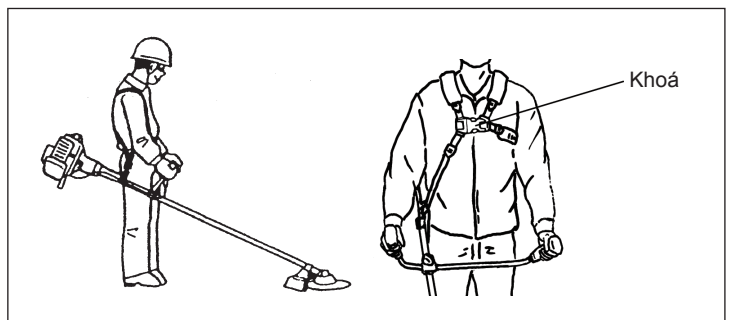


**Loại II**

**Lắp dây an toàn**

– Điều chỉnh chiều dài của dây đeo để lưỡi cắt được giữ song song với mặt đất.

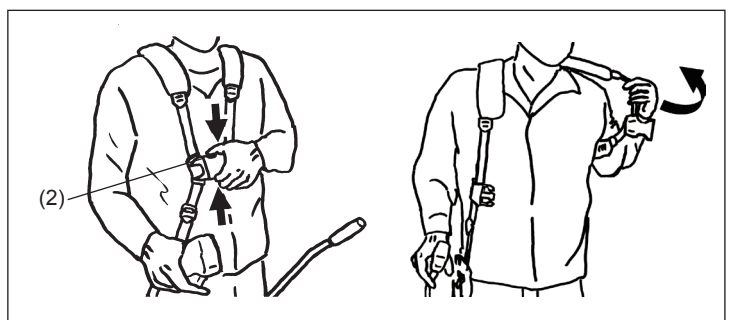
**CHÚ Ý:** Cẩn thận không để quần áo, v.v..., mắc vào trong khóa.



**Tháo**

– Trong trường hợp khẩn cấp, đẩy các khấc (2) ở cả hai cạnh và bạn có thể tháo máy khỏi người mình.  
Phải cực kỳ thận trọng để giữ kiểm soát thiết bị vào thời điểm này. Không để thiết bị chệch hướng về phía bạn hoặc bất kỳ ai ở gần khu vực làm việc.

**CẢNH BÁO:** Không duy trì điều khiển máy hoàn toàn có thể dẫn đến thương tích cơ thể nghiêm trọng hoặc TỬ VONG.



## ĐƯA VÀO VẬN HÀNH

Tuân thủ các quy định hiện hành về phòng tránh tai nạn!



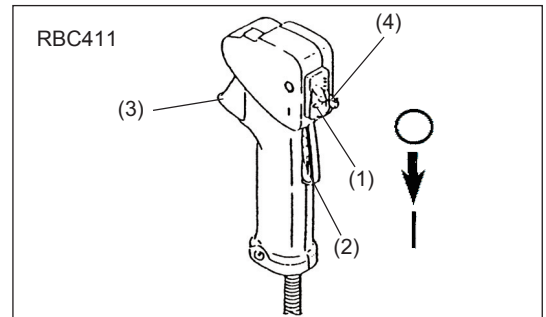
### Khởi động

Di chuyển ra xa cách địa điểm nạp lại nhiên liệu ít nhất 3m (10ft). Đặt máy cắt cỏ trên bề mặt đất sạch, chú ý dụng cụ cắt không tiếp xúc với mặt đất hoặc bất kỳ vật thể nào khác.

### Khởi động nguội

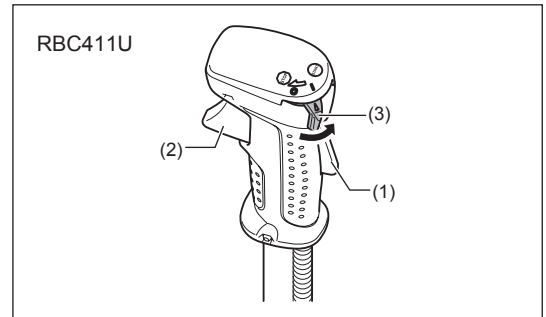
#### • Cho RBC411

- Ấn công tắc I-O (1) theo hướng chỉ của mũi tên.
- Nắm tay cầm (áp lực của tay kích hoạt lẫy mở khóa an toàn (2)).
- Nhấn lẫy gạt bướm ga (3) và ấn xuống.
- Nhấn nút khóa (4) và nhả lẫy điều khiển rồi nhả nút khóa (nút khóa giữ lẫy gạt bướm ga ở vị trí khởi động).

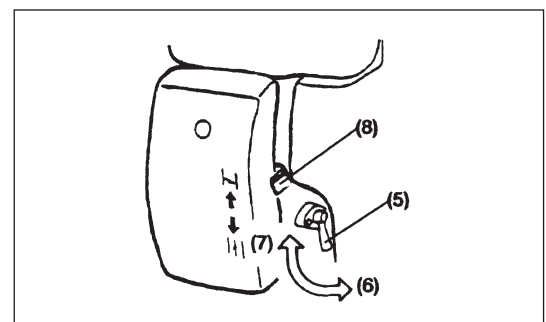


#### • Cho RBC411U

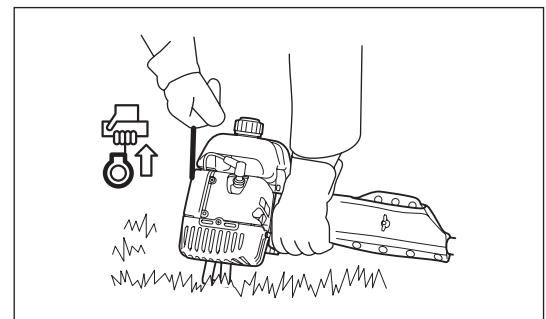
- Nắm tay cầm (áp lực của tay kích hoạt lẫy mở khóa an toàn (1)).
- Nhấn lẫy gạt bướm ga (2) và ấn xuống.
- Đặt công tắc I-O (3) thành START.



- Trước hết, đặt máy lên mặt đất.
- Mở van nhiên liệu. Van mở khi lẫy (5) ở bên phải so với mặt đất (6). Van đóng khi lẫy song song với mặt đất (7).
- Di chuyển lẫy gạt bướm gió (8) đến vị trí trên cùng (I).



- Cầm chắc hộp ly hợp bằng tay trái, như minh họa.
- Từ từ kéo kẹp bộ khởi động cho đến khi cảm thấy lực cản rồi tiếp tục kéo mạnh.
- Không kéo dây bộ khởi động ra hết cỡ và không để tay cầm bộ khởi động rút vào mà không kiểm soát, mà phải đảm bảo rằng tay cầm được rút vào từ từ.
- Lập lại hoạt động khởi động cho đến khi nghe thấy tiếng đánh lửa ban đầu.
- Nhấn lẫy gạt bướm gió (I) và kéo dây khởi động lần nữa cho tới khi động cơ khởi động.
- Ngay sau khi động cơ khởi động, ngay lập tức nhấn và nhả bướm ga, do vậy, nhả khóa bướm ga một nửa sao cho động cơ có thể chạy không tải.
- Chạy động cơ trong khoảng 1 phút ở tốc độ trung bình trước khi tăng hết ga.



### Thận trọng trong khi vận hành:

Nếu lẫy gạt bướm ga được mở hoàn toàn khi vận hành không tải, tốc độ quay của động cơ tăng tới 10.000 min<sup>-1</sup> hoặc hơn. Không được vận hành động cơ ở tốc độ cao hơn quy định mà ở tốc độ khoảng 6.000 - 8.000 min<sup>-1</sup>.

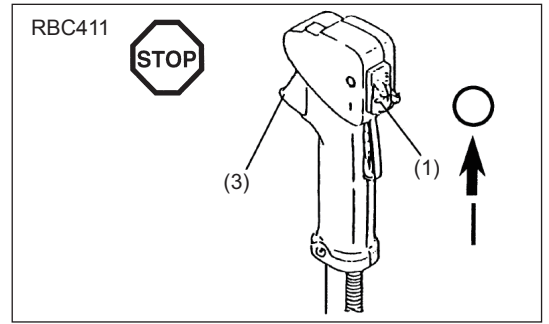
### Khởi động nóng động cơ

– Tương tự như trên, ngoại trừ không dịch chuyển lẫy gạt bướm gió (lấy gạt bướm gió vẫn ở vị trí xuống).

### Dừng

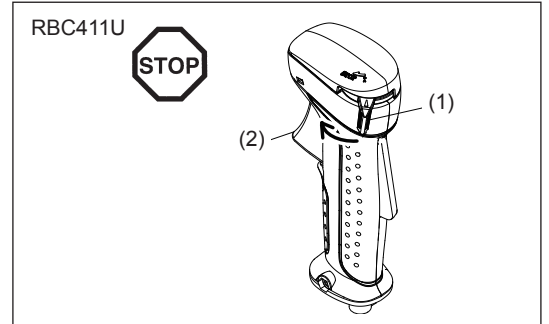
#### • Cho RBC411

– Nhả hết cỡ lẫy gạt bướm ga (3) và khi tốc độ động cơ đã giảm, ấn công tắc I-O (1) về vị trí “O”, động cơ sẽ dừng ngay.



#### • Cho RBC411U

- 1) Thả hết lẫy gạt bướm ga (2) và khi số vòng trên phút của động cơ đã giảm, đặt công tắc I-O (1) thành STOP, động cơ sẽ dừng ngay.
- 2) Lưu ý rằng đầu cắt không thể dừng ngay lập tức mà cho phép nó dừng chậm dần.

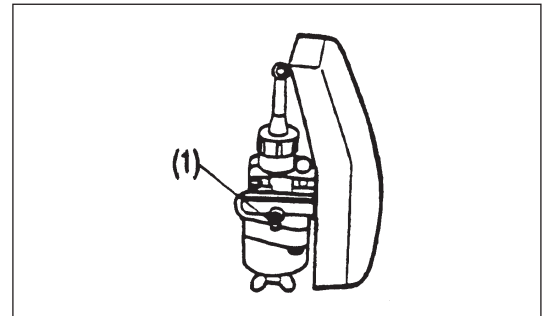


## ĐIỀU CHỈNH KHÔNG TẢI

Lưỡi cắt hoặc đầu cắt ni lông không được chạy khi lẫy điều khiển được nhả hết cỡ. Nếu cần, hãy điều chỉnh số vòng trên phút không tải bằng vít điều chỉnh không tải.

### Kiểm tra tốc độ không tải

- Tốc độ không tải phải được đặt thành  $2.600 \text{ min}^{-1}$ . Nếu cần, hãy điều chỉnh bằng vít điều chỉnh không tải (lưỡi cắt hoặc đầu cắt ni lông không được xoay khi động cơ chạy không tải). Siết vít (1) sẽ dẫn đến tăng tốc độ động cơ, trong khi nhả vít sẽ giảm tốc độ động cơ.

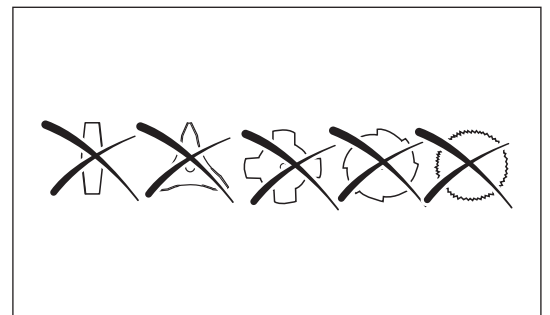


## MÀI SẮC LẠI DỤNG CỤ CẮT

**THẬN TRỌNG:** Chỉ cơ sở được ủy quyền mới được phép mài sắc lại các dụng cụ cắt được nói tới bên dưới. Việc mài sắc lại bằng tay sẽ dẫn đến sự mất cân bằng ở dụng cụ cắt gây rung lắc và làm hỏng thiết bị.

– Lưỡi cắt  
Các đại lý Dịch vụ Ủy quyền sẽ cung cấp dịch vụ mài sắc lại và cân bằng chuyên nghiệp.

**CHÚ Ý:** Để tăng tuổi thọ vận hành của lưỡi cắt (lưỡi hình sao, lưỡi xoáy, lưỡi cưa), hãy đảo chiều lưỡi cắt một lần cho đến khi cả hai mép cắt đều bị cùn.



## LỊCH BẢO TRÌ

1. Trước khi vận hành, cần đặc biệt chú ý vận chặt Lưới cắt hoặc đầu cắt ni lông. Kiểm tra bu-lông và đai ốc và vận chặt lại nếu cần thiết.: 8 giờ một lần (Hàng ngày)

2. Kiểm tra xem có tắc đường khí làm mát và gờ xi-lanh. Làm sạch nếu cần thiết.: 8 giờ một lần (Hàng ngày)

3. Lau sạch bộ lọc gió.: 8 giờ một lần (Hàng ngày)

1) Tháo nắp bộ lọc gió (1) và thành phần xốp (2). Nếu có quá nhiều bụi và bụi bắn dính vào bộ lọc, làm sạch bộ lọc. Bộ lọc gió bị tắc có thể khiến việc khởi động động cơ hoặc tăng tốc độ xoay động cơ gặp khó khăn nếu không nói là không thể.

2) Lắp thành phần xốp quanh gờ của giá bộ lọc khí.

4. Kiểm tra bu-gi.: 8 giờ một lần (Hàng ngày)

Khoảng cách giữa hai điện cực của bu-gi phải là 0,6 đến 0,7 mm (0,024" đến 0,028").

Nếu khoảng cách quá rộng hoặc quá hẹp, hãy điều chỉnh.

Nếu bu-gi bị tắc muội than hoặc cận bản, hãy làm sạch kỹ hoặc thay thế.

5. Tra dầu vào hộp chạy dao.

Tra dầu (SHELL ALVANIA 3 hoặc tương đương) vào hộp chạy dao qua lỗ tra dầu (3) cứ 30 giờ một lần.

(Mỡ bôi trơn MAKITA chính hiệu có thể mua được từ đại lý MAKITA của bạn).

6. Lau sạch lỗ thoát bộ giảm thanh: 50 giờ một lần (Hàng tháng)

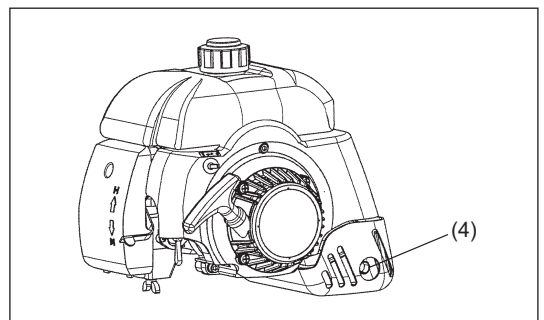
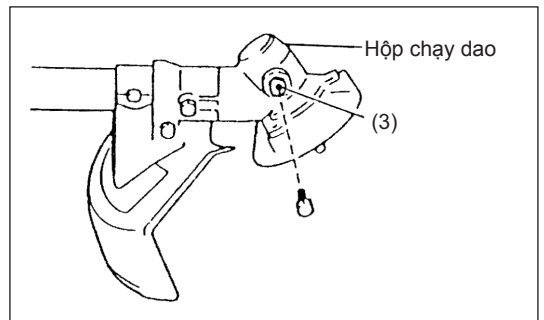
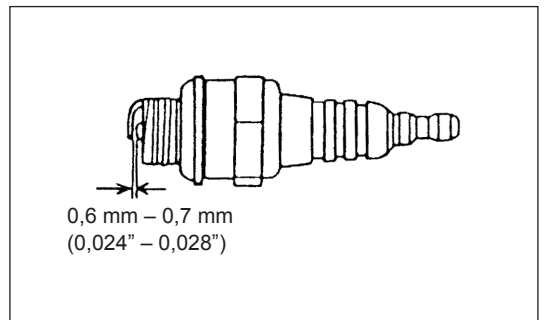
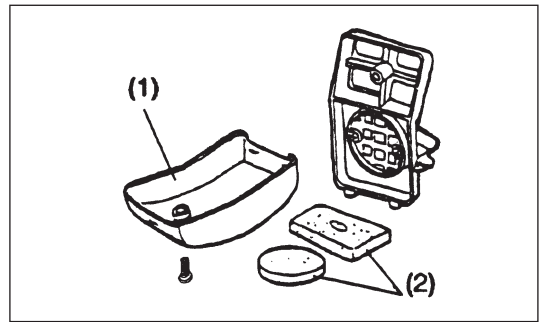
Nếu lỗ thoát (4) bị tắc do carbon, tháo lỗ này bằng cách cầm và ấn từ từ bằng tua vít hoặc vật tương tự.

7. Kiểm tra bộ lọc nhiên liệu. Nếu bị tắc, làm sạch bộ lọc.

8. Thay thế đường nhiên liệu.: 200 giờ một lần (Hàng năm)

9. Đại tu động cơ.: 200 giờ một lần (Hàng năm)

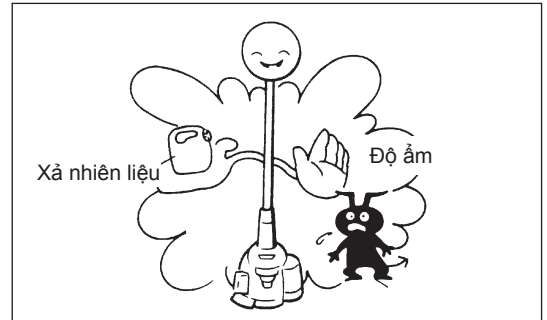
10. Thay thế vòng đệm kín và miếng đệm.: Mỗi lần động cơ được lắp lại.



Tổng quát	Lắp ráp động cơ, vít và đai ốc	Kiểm tra bằng mắt hồng hóc và độ chặt Kiểm tra điều kiện và an toàn chung
Sau mỗi lần nạp lại nhiên liệu	Lấy gạt bướm ga Khóa khóa an toàn Công tắc BẬT-TẮT	Kiểm tra vận hành Kiểm tra vận hành Kiểm tra vận hành
Hàng ngày	Thành phần xốp (bộ lọc khí) Đường dẫn khí làm mát Lưới cắt Tốc độ không tải	Cần được lau sạch Cần được lau sạch Kiểm tra hồng hóc và độ sắc Kiểm tra (dụng cụ cắt không được di chuyển)
Hàng tuần	Bu-gi Bộ giảm thanh	Kiểm tra, thay nếu cần Kiểm tra và lau sạch miệng nếu cần
Hàng quý	Đầu hút (bộ lọc đường khí) Bình nhiên liệu	Cần được thay thế Cần được lau sạch
Quy trình tắt máy	Bình nhiên liệu Bộ chế hoà khí	Tháo cạn bình nhiên liệu Vận hành cho tới khi động cơ hết nhiên liệu

## BẢO QUẢN

- Khi cất giữ máy trong thời gian dài, hãy tháo cạn nhiên liệu khỏi bình nhiên liệu và bộ chế hoà khí như sau: Tháo cạn nhiên liệu khỏi bình nhiên liệu. Tiêu hủy đúng cách và tuân thủ tất cả luật địa phương.
- Tháo bu-gi và tra vài giọt dầu vào lỗ bu-gi. Sau đó, kéo nhẹ bộ khởi động sao cho dầu phủ bên trong động cơ và siết chặt.
- Lau sạch bụi bẩn khỏi lưới sắt và bên ngoài động cơ, lau sạch bằng giẻ nhúng dầu và để máy ở nơi khô nhất có thể.



## Vị trí hỏng hóc

Hỏng hóc	Hệ thống	Quan sát	Nguyên nhân
Động cơ không khởi động hoặc khó khởi động	Hệ thống đánh lửa	Tia lửa điện O.K.	Lỗi trong cấp nhiên liệu hoặc hệ thống nén, lỗi cơ khí
		Không có tia lửa điện	Công tắc I-O vận hành, lỗi dây điện hoặc ngắn mạch, lỗi bu-gi hoặc đầu nối, lỗi mô-đun đánh lửa
	Cấp nhiên liệu	Bình nhiên liệu đầy	Vị trí của bướm gió (van điều tiết không khí) bị sai, bộ chế hoà khí bị lỗi, đường cung cấp nhiên liệu bị cong hoặc bị nghẽn, nhiên liệu bẩn
	Nén	Không có sự nén khi được kéo xuống	Gioăng dưới xi-lanh bị lỗi, vòng đệm trục khuỷu bị hỏng, xi-lanh hoặc xéc măng pít-tông bị lỗi hoặc làm kín bu-gi không đúng cách
Lỗi cơ khí	Bộ khởi động không cài	Lò xo khởi động bị hỏng, hỏng các bộ phận bên trong động cơ	
Sự cố khởi động ẩm		Bình nhiên liệu đầy, có tia lửa điện	Bộ chế hòa khí bị nhiễm bẩn, phải được làm sạch
Động cơ khởi động nhưng chết máy ngay lập tức	Cấp nhiên liệu	Bình nhiên liệu đầy	Điều chỉnh chạy không tải không đúng, bộ chế hòa khí bị bẩn Lỗi lỗ thông gió bình nhiên liệu, đường ống cấp nhiên liệu bị chặn, lỗi cấp hoặc công tắc I-O
Hiệu suất không đủ	Một số hệ thống có thể bị ảnh hưởng đồng thời	Chạy không tải động cơ kém	Bộ lọc gió bị bẩn, bộ chế hoà khí bị bẩn, bộ giảm thanh bị tắc, đường ống xả trong xi-lanh bị tắc

## KHẮC PHỤC SỰ CỐ

Trước khi yêu cầu sửa chữa, hãy tự mình kiểm tra sự cố. Nếu thấy bất kỳ hiện tượng bất thường nào, hãy kiểm soát máy của bạn theo mô tả của tài liệu này. Không bao giờ làm xáo trộn hoặc tháo bất kỳ bộ phận nào ngược với mô tả. Để sửa chữa, liên hệ với Đại lý Dịch vụ Ủy quyền hoặc người đại lý tại địa phương.

Tình trạng bất thường	Nguyên nhân có thể (sự cố)	Biện pháp
Động cơ không khởi động	Tốc độ kéo của dây khởi động thấp	Kéo mạnh
	Thiếu nhiên liệu	Nạp nhiên liệu
	Bộ lọc nhiên liệu bị tắc	Làm sạch
	Ống nhiên liệu bị vỡ	Nắn thẳng ống nhiên liệu
	Nhiên liệu chất lượng kém	Nhiên liệu kém chất lượng khiến khởi động khó khăn hơn. Thay bằng nhiên liệu mới. (Thay thế được khuyến cáo: 1 tháng)
	Hút quá nhiều nhiên liệu	Đặt lấy gạt bướm ga từ tốc độ trung bình sang tốc độ cao và kéo tay cầm khởi động cho đến khi động cơ khởi động. <b>Khi động cơ khởi động, lười cắt bắt đầu quay. Hãy hết sức chú ý đến lười cắt.</b> Nếu động cơ vẫn không khởi động, tháo bu-gi, sấy khô điện cực và lắp lại chúng như ban đầu. Sau đó, khởi động như được chỉ định.
	Nắp đậy bu-gi bị tháo ra	Lắp chặt
	Bu-gi bị bẩn	Làm sạch
	Khoảng hở bất thường của bu-gi	Điều chỉnh khoảng hở
	Hiện tượng bất thường khác của bu-gi	Thay thế
	Bộ chế hoà khí bất thường	Yêu cầu kiểm tra và bảo dưỡng.
	Không thể kéo dây khởi động	Yêu cầu kiểm tra và bảo dưỡng.
	Hệ thống lái bất thường	Yêu cầu kiểm tra và bảo dưỡng.
Động cơ dừng sớm Tốc độ động cơ không tăng	Làm nóng không đủ	Thực hiện hoạt động làm nóng
	Lấy gạt bướm gió được đặt thành "ĐÓNG" mặc dù động cơ đã được làm nóng.	Đặt về "MỞ"
	Bộ lọc nhiên liệu bị tắc	Làm sạch
	Bộ lọc gió bị bẩn hoặc bị tắc	Làm sạch
	Bộ chế hoà khí bất thường	Yêu cầu kiểm tra và bảo dưỡng.
	Hệ thống lái bất thường	Yêu cầu kiểm tra và bảo dưỡng.
Lười cắt không quay ↓ Dừng động cơ ngay lập tức	Đai ốc bắt chặt vào lười cắt đã được nới lỏng	Siết chặt
	Cành cây nhỏ bị kẹt vào lười cắt hoặc nắp ngăn bị phát tán.	Gỡ bỏ vật lạ
	Hệ thống lái bất thường	Yêu cầu kiểm tra và bảo dưỡng.
Thân máy rung một cách bất thường ↓ Dừng động cơ ngay lập tức	Lười cắt bị vỡ, cong hoặc mòn	Thay thế lười cắt
	Đai ốc bắt chặt vào lười cắt đã được nới lỏng	Siết chặt
	Bộ phận lõi ra xê dịch được của lười cắt và ống nối nâng đỡ lười cắt.	Lắp chặt
	Hệ thống lái bất thường	Yêu cầu kiểm tra và bảo dưỡng.
Lười cắt không dừng ngay lập tức ↓ Dừng động cơ ngay lập tức	Quay không tải cao	Điều chỉnh
	Dây điều chỉnh bị tháo ra	Lắp chặt
	Hệ thống lái bất thường	Yêu cầu kiểm tra và bảo dưỡng.
Động cơ không dừng ↓ Chạy động cơ ở chế độ không tải và đặt lấy gạt bướm gió về ĐÓNG	Đầu nối bị tháo ra	Lắp chặt
	Hệ thống điện bất thường	Yêu cầu kiểm tra và bảo dưỡng.

Khi động cơ không khởi động sau hoạt động làm nóng:

Nếu không thấy có hiện tượng bất thường nào ở các mục kiểm tra, mở bướm ga khoảng 1/3 và khởi động động cơ.

ขอขอบคุณที่เลือกใช้เครื่องตัดหญ้าของ MAKITA เรายินดีที่มีโอกาสนำเสนอเครื่องตัดหญ้าของ MAKITA ซึ่งเป็นผลิตภัณฑ์ที่เกิดขึ้นจากโครงการพัฒนาระยะยาว รวมถึงการใช้ความรู้และประสบการณ์หลายปีของบริษัท

โปรดอ่าน ทำความเข้าใจ และปฏิบัติตามคำแนะนำในคู่มือนี้ซึ่งจะอ้างอิงถึงรายละเอียดในส่วนต่างๆ ที่จะแสดงถึงประสิทธิภาพในการทำงานอย่างยอดเยี่ยมของผลิตภัณฑ์นี้ การทำเช่นนั้นจะช่วยให้คุณ สามารถใช้งานเครื่องตัดหญ้าของ MAKITA ได้อย่างมีประสิทธิภาพสูงสุด



## สารบัญ

หน้า

สัญลักษณ์.....	59
คำแนะนำด้านความปลอดภัย.....	60
ข้อมูลทางเทคนิค.....	64
ชื่อชิ้นส่วนต่างๆ.....	65
การประกอบเครื่องยนต์และเฟลา.....	66
การประกอบมือจับ.....	66
การประกอบอุปกรณ์ป้องกัน.....	67
การประกอบใบตัด.....	69
เชื้อเพลิง/การเติมเชื้อเพลิง.....	71
การจัดการเครื่องมืออย่างถูกวิธี.....	72
การนำมาใช้งาน.....	73
การล้มเครื่องมือ.....	74
ตารางเวลาการดูแลรักษาเครื่อง.....	75
การจัดเก็บ.....	76

## สัญลักษณ์

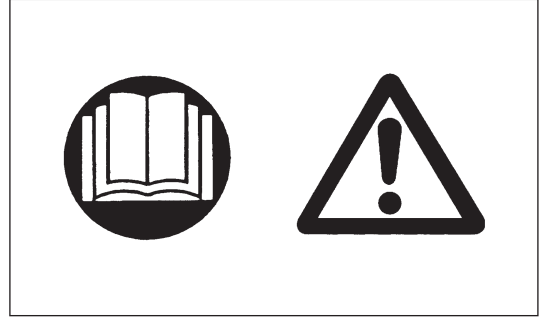
เมื่ออ่านคู่มือการใช้งาน คุณจะพบสัญลักษณ์ต่อไปนี้

	อ่านคู่มือการใช้งาน		ห้ามให้มีบุคคลหรือสัตว์เลี้ยงใดๆ เข้ามาในพื้นที่การทำงาน
	ใช้ความระมัดระวังเป็นพิเศษ		สวมหมวกนิรภัย แว่น และเครื่องป้องกันหู
	ข้อห้าม		ความเร็วสูงสุดของเครื่องที่สามารถใช้งานได้
	รักษาระยะห่าง		น้ำมันเชื้อเพลิงผสม
	อันตรายจากวัตถุที่กระเด็นมาถูก		สตาร์ทเครื่องยนต์ด้วยมือ
	ห้ามสูบบุหรี่		การหยุดฉุกเฉิน
	ห้ามจุดไฟ		การปฐมพยาบาล
	ต้องสวมถุงมือป้องกัน		เปิด/เริ่มต้น
	สวมรองเท้าบูตอย่างหนาที่มีพื้นกันลื่น ขอแนะนำ ให้ใช้รองเท้าบูตนิรภัยหัวเหล็ก		ปิด/หยุด
	การตัดกลับ		

## คำแนะนำด้านความปลอดภัย

### คำแนะนำทั่วไป

- อ่านคู่มือคำแนะนำฉบับนี้จนคุ้นเคยกับการใช้งานอุปกรณ์ ผู้ใช้ที่ได้รับข้อมูลไม่เพียงพอ อาจทำให้เกิดอันตรายต่อตนเองและผู้อื่นเนื่องจากการใช้งานไม่ถูกต้อง
- ขอแนะนำว่าควรอนุญาตให้เฉพาะผู้ที่คุณทราบดีว่ามีประสบการณ์เป็นผู้ใช้อุปกรณ์เท่านั้น รวมถึงมอบคู่มือการใช้งานนี้ให้ด้วยเสมอ
- ผู้ใช้อันดับแรกควรสอบถามตัวแทนจำหน่ายเกี่ยวกับคำแนะนำเบื้องต้น เพื่อให้มีความคุ้นเคยในการใช้งานเครื่องตัดหญ้า
- ไม่อนุญาตให้เด็กและผู้ที่มีอายุต่ำกว่า 18 ปีใช้งานอุปกรณ์นี้ ผู้ที่มีอายุมากกว่า 16 ปี สามารถใช้เครื่องมือนี้หากได้รับการฝึกอบรมและอยู่ภายใต้การกำกับดูแลของผู้ฝึกสอนที่มีประสบการณ์
- ใช้งานด้วยความระมัดระวังสูงสุดเสมอ
- ใช้งานเมื่อคุณมีสภาพร่างกายที่สมบูรณ์เท่านั้น ควรปฏิบัติตามทั้งหมดอย่างใจเย็นและระมัดระวัง ผู้ใช้ต้องรับผิดชอบความผิดที่มีต่อบุคคลอื่น
- อย่าใช้งานอุปกรณ์ขึ้นนี้หลังจากดื่มเครื่องดื่มแอลกอฮอล์หรือรับประทานยา หรือเมื่อรู้สึกเหนื่อยล้าหรือไม่สบาย
- กฎหมายท้องถิ่นอาจจำกัดการใช้งานของเครื่องมือนี้

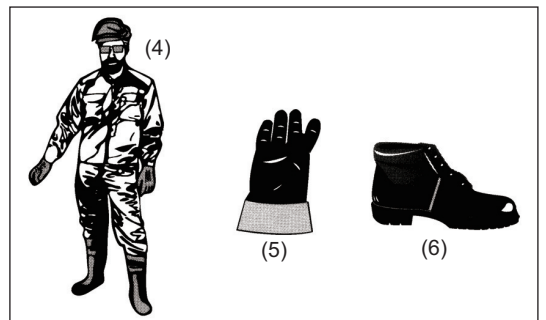
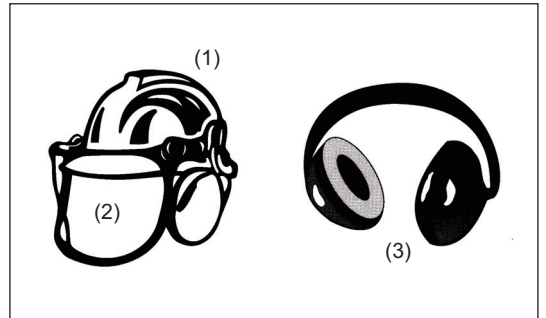


### วัตถุประสงค์ของการใช้งานเครื่องมือ

- อุปกรณ์นี้ผลิตขึ้นเพื่อใช้ตัดหญ้า วัชพืช พุ่มไม้ และไม้ต้นเล็กๆ ไม่ควรนำเครื่องไปใช้ในวัตถุประสงค์อื่น เช่น การตัดแต่งทรงต้นไม้หรือตัดพุ่มไม้ เนื่องจากอาจทำให้ได้รับบาดเจ็บได้

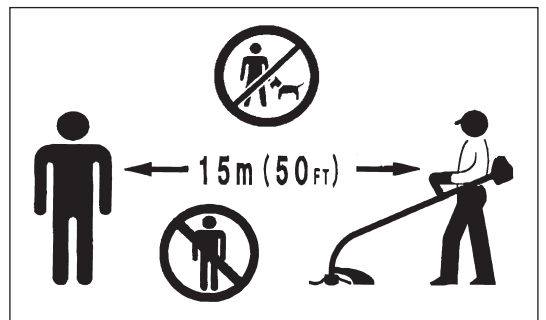
### อุปกรณ์ป้องกันส่วนบุคคล

- เสื้อผ้าที่สวมใส่ควรเหมาะสมกับการใช้งาน เช่น ควรมีขนาดพอดีตัวและรัดกุม ไม่รุ่มร่าม กีดขวางการทำงาน อย่าสวมเครื่องประดับหรือเสื้อผ้าที่อาจพันกับพุ่มไม้หรือยอดไม้
- เพื่อป้องกันไม่ให้ศีรษะ ดวงตา มือ หรือเท้าได้รับบาดเจ็บ และป้องกันการได้ยิน ผู้ใช้ต้องสวมใส่อุปกรณ์ป้องกันและชุดป้องกันระหว่างการใช้งาน
- สวมหมวกนิรภัยทุกครั้งในสถานที่ที่มีความเสี่ยงในการร่วงหล่นของวัตถุ ต้องมีการตรวจสอบหมวกนิรภัย (1) อย่างสม่ำเสมอว่ามีความเสียหายหรือไม่ และต้องเปลี่ยนหลังจากใช้งานไม่เกิน 5 ปี ใช้หมวกนิรภัยที่ได้รับการรับรองเท่านั้น
- หน้ากาก (2) ของหมวกนิรภัย (หรือแว่นตาที่เป็นอุปกรณ์เสริม) จะช่วยป้องกันใบหน้าจากเศษวัสดุและเศษหินที่ปลิวมา ระหว่างใช้งานอุปกรณ์ ให้สวมแว่นหรือหน้ากากเพื่อป้องกันดวงตาไม่ให้ได้รับบาดเจ็บ
- สวมใส่อุปกรณ์ป้องกันเสียงรบกวนอย่างเหมาะสมเพื่อป้องกันไม่ให้หูได้รับความกระทบกระเทือน (ที่ครอบคลุมเสียง (3), ที่อุณหู ฯลฯ)
- ชุดหมี (4) สามารถป้องกันเศษวัสดุและเศษหินที่ปลิวมา ดังนั้น ขอแนะนำให้ผู้ใช้สวมใส่ชุดหมีขณะทำงาน
- ถุงมือ (5) เป็นส่วนหนึ่งของรายการอุปกรณ์ และต้องสวมใส่ในขณะที่ทำงานเสมอ
- ขณะใช้งานอุปกรณ์ ให้สวมรองเท้าอย่างหนา (6) ที่มีพื้นกันลื่นเสมอ เพราะจะช่วยป้องกันการบาดเจ็บของเท้าและช่วยให้อยืนได้อย่างมั่นคง



### การเริ่มต้นใช้งานเครื่องตัดหญ้า

- โปรดตรวจสอบว่าไม่มีเด็กหรือบุคคลอื่นอยู่ภายในรัศมีการทำงาน 15 เมตร (50 ฟุต) และระมัดระวังไม่ให้มีสัตว์เลี้ยงอยู่ในพื้นที่การทำงาน
- ก่อนใช้งาน ให้ตรวจสอบทุกครั้งว่าอุปกรณ์มีความปลอดภัยสำหรับการทำงาน: ตรวจสอบความปลอดภัยของเครื่องตัด คันโยกควบคุม เพื่อให้สามารถใช้งานตัวล็อค คันโยกควบคุมได้ง่ายและถูกต้อง
- ต้องไม่ให้เครื่องตัดหญ้าในระหว่างที่ทำงานด้วยความเร็วในอัตรารอบเดินเบา เมื่อมีข้อสงสัยเกี่ยวกับการปรับเปลี่ยน ให้ตรวจสอบกับตัวแทนจำหน่ายของคุณ ตรวจสอบมือจับว่ามีความสะอาดและแห้งสนิท และทดสอบการทำงานของสวิตช์เปิด/หยุดเครื่อง



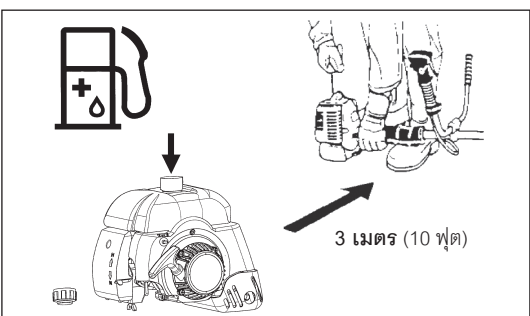
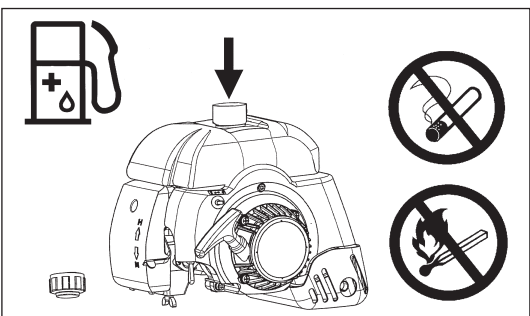
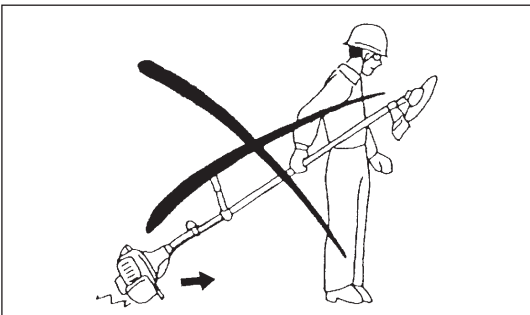
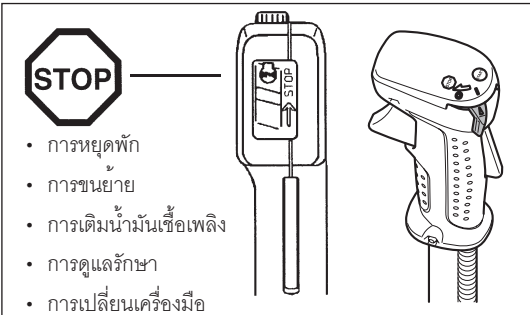
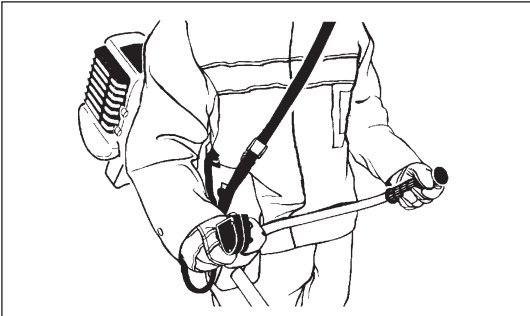
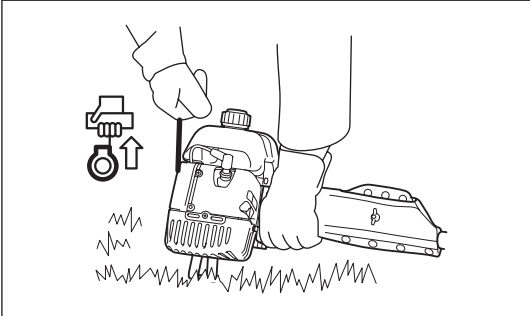


เปิดใช้งานเครื่องตัดหญ้าตามคำแนะนำในคู่มือเท่านั้น

- อย่านำวิธีอื่นเพื่อสตาร์ทเครื่องยนต์!
- ใช้เครื่องตัดหญ้าและเครื่องมือต่างๆ สำหรับการทำงานที่ระบุไว้เท่านั้น
- สตาร์ทเครื่องยนต์หลังจากประกอบชิ้นส่วนทั้งหมดแล้วเท่านั้น อนุญาตให้ใช้งานเครื่องมือหลังจากประกอบอุปกรณ์เสริมที่เกี่ยวข้องทั้งหมดแล้วเท่านั้น!
- ก่อนเริ่มต้นทำงาน ให้ตรวจสอบว่าเครื่องตัดไม้ได้สัมผัสกับวัตถุแข็ง เช่น กิ่งไม้ ก้อนหิน ฯลฯ เนื่องจากเครื่องตัดจะหมุนในขณะเริ่มงาน
- หากมีปัญหาเกี่ยวกับเครื่องยนต์ ให้ปิดสวิตช์เครื่องยนต์ทันที
- หากเครื่องตัดกระทบกับก้อนหินหรือวัตถุที่มีความแข็งอื่นๆ ให้ปิดสวิตช์เครื่องยนต์ทันทีและตรวจสอบเครื่องตัด
- ตรวจสอบความเสียหายของเครื่องตัดบ่อยๆ เป็นประจำ (ตรวจหารอยร้าวโดยการเคาะเพื่อทดสอบเสียง)
- หากอุปกรณ์ได้รับแรงกระแทกอย่างรุนแรงหรือร่วงหล่น ให้ตรวจสอบสภาพของอุปกรณ์ก่อนทำงานต่อไป ตรวจสอบระบบเชื้อเพลิงเพื่อหาการรั่วไหลของน้ำมันเชื้อเพลิง และอุปกรณ์ควบคุมและอุปกรณ์นิรภัยอื่นๆ เพื่อหาการทำงานที่ผิดปกติ หากมีความเสียหาย หรือมีข้อสงสัย ควรสอบถามศูนย์บริการที่ได้รับอนุญาตของเรา เพื่อทำการตรวจสอบและซ่อมแซม
- ทำงานกับอุปกรณ์ที่มีสายรัดไหล ซึ่งปรับระดับความยาวเหมาะสมก่อนนำเครื่องตัดหญ้ามาใช้งานแล้วเท่านั้น ต้องปรับระดับความยาวของสายรัดไหลให้เหมาะสมกับขนาดตัวของผู้ใช้งาน เพื่อป้องกันไม่ให้เกิดความเหนื่อยล้าขณะใช้งาน อย่านำเครื่องตัดด้วยมือเพียงข้างเดียวระหว่างใช้งาน
- ระหว่างทำงาน ให้จับเครื่องตัดหญ้าโดยใช้มือทั้งสองข้างเสมอ จัดท่ายืนที่ปลอดภัยทุกครั้ง
- ใช้งานอุปกรณ์โดยหลีกเลี่ยงการสูดดมไอเสียที่ปล่อยออกมา อย่านำใช้งานเครื่องยนต์ในห้องที่ปิดทึบ (เสียงต่อการสูดดมไอเสีย) ควรบวมอนนิวกไฮดรอลิกคืออากาศที่ไม่มีการกลั่น
- ปิดสวิตช์เครื่องยนต์ เมื่อหยุดพักการใช้งานและเมื่อทั้งอุปกรณ์ไว้โดยไม่มีผู้ดูแล และเก็บเครื่องมือในสถานที่ที่ปลอดภัยเพื่อป้องกันอันตรายที่จะเกิดกับผู้อื่นหรือการชำรุดเสียหายของเครื่องจักร
- อย่านำเครื่องตัดหญ้าที่ร้อนไว้บนหญ้าแห้งหรือวัตถุที่ติดไฟได้
- ก่อนสตาร์ทเครื่องยนต์ ต้องติดตั้งอุปกรณ์ป้องกันเครื่องตัดที่ได้รับการรับรองเข้ากับอุปกรณ์ทุกครั้ง
- มิฉะนั้น การสัมผัสกับเครื่องตัดอาจทำให้เกิดการบาดเจ็บร้ายแรงได้
- ระหว่างทำงาน ต้องติดตั้งอุปกรณ์เสริมและอุปกรณ์ป้องกันทั้งหมดที่นำมาพร้อมกับเครื่องมือ
- อย่านำใช้งานเครื่องยนต์โดยที่ตัวเก็บเสียงท่อไอเสียทำงานผิดปกติ
- ปิดสวิตช์เครื่องในขณะทำการขนย้าย
- เมื่อจะขนส่งอุปกรณ์ ให้ติดตั้งฝาครอบใบมีดทุกครั้ง
- ตรวจสอบว่ามีกาวจัดวางตำแหน่งอุปกรณ์อย่างถูกต้องระหว่างการขนส่งทางรถยนต์เพื่อป้องกันน้ำมันรั่วไหล
- เมื่อทำการขนส่ง ให้ตรวจสอบว่าไม่มีน้ำมันหลงเหลืออยู่ในถังน้ำมันเชื้อเพลิง
- ในขณะทำการขนถ่ายอุปกรณ์ลงจากรถบรรทุก อย่านำโยนเครื่องยนต์ลงบนพื้น มิฉะนั้นถังน้ำมันเชื้อเพลิงอาจได้รับความเสียหายอย่างรุนแรง
- อย่านำโยนหรือทำอุปกรณ์ตกลงพื้น ยกเว้นในกรณีฉุกเฉิน มิฉะนั้น อุปกรณ์จะได้รับความเสียหายอย่างรุนแรง
- ในขณะเคลื่อนย้ายอุปกรณ์ อย่านำโยนอุปกรณ์ทั้งชิ้นขึ้นเหนือพื้นดิน การลากถังน้ำมันเชื้อเพลิงเป็นสิ่งอันตรายมาก และอาจทำให้น้ำมันรั่วไหล ซึ่งเป็นสาเหตุของไฟไหม้ได้

**การเติมน้ำมันเชื้อเพลิง**

- หยุดการทำงานของเครื่องยนต์ระหว่างการเติมน้ำมันเชื้อเพลิง อยู่นอกห่างจากเปลวไฟและห้ามสูบบุหรี่เสมอ
- ป้องกันอย่าให้ผิวหนังสัมผัสกับผลิตภัณฑ์ที่ทำจากน้ำมันแร่ อย่านำสูดดมไอระเหยของน้ำมันเชื้อเพลิง สวมใส่ถุงมือเมื่อเติมน้ำมันเชื้อเพลิงทุกครั้ง เปลี่ยนและทำความสะอาดชุดป้องกันอย่างสม่ำเสมอ
- ระวังอย่าให้น้ำมันเชื้อเพลิงหรือน้ำมันเครื่องไหลล้นออกมาเพื่อป้องกันการปนเปื้อนลงพื้นดิน (การปกป้องสภาพแวดล้อม) ทำความสะอาดเครื่องตัดทันทีหลังจากที่น้ำมันเชื้อเพลิงไหลล้นออกมา
- ป้องกันอย่าให้น้ำมันเชื้อเพลิงสัมผัสกับเสื้อผ้าของคุณ เปลี่ยนเสื้อผ้าของคุณทันทีหากเปื้อนจากน้ำมันเชื้อเพลิง (เพื่อป้องกันเชื้อไฟติดไฟ)
- ตรวจสอบฝาปิดถังน้ำมันเชื้อเพลิงอย่างสม่ำเสมอเพื่อให้มั่นใจว่าได้ปิดฝาอย่างแน่นสนิท และไม่มีน้ำมันเชื้อเพลิงรั่วไหล
- ชันฝาปิดถังน้ำมันเชื้อเพลิงให้แน่นหนา เปลี่ยนสถานที่ในการสตาร์ทเครื่องยนต์ (ให้ห่างจากสถานที่เติมน้ำมันอย่างน้อย 3 เมตร)
- อย่านำเติมน้ำมันเชื้อเพลิงในห้องที่ปิดทึบ ไอระเหยของน้ำมันจะสะสมอยู่เหนือพื้นดิน (ความเสี่ยงที่จะเกิดการระเบิดขึ้น)
- ขนย้ายและจัดเก็บน้ำมันเชื้อเพลิงในภาชนะบรรจุที่ได้รับอนุมัติแล้วเท่านั้น ตรวจสอบว่าจัดเก็บน้ำมันเชื้อเพลิงในสถานที่ที่เด็กๆ ไม่สามารถเข้าไปเล่นได้



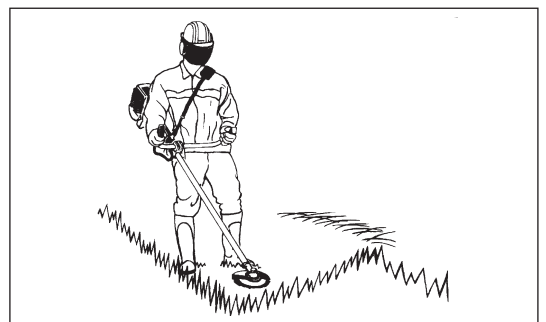
## วิธีการทำงาน

- ใช้เครื่องในสภาพที่มีแสงสว่างและมองเห็นได้ชัดเท่านั้น ในช่วงฤดูหนาว ให้ระมัดระวังพื้นที่ลื่นหรือเปียกและ น้ำแข็ง และหิมะ (ความเสี่ยงต่อการลื่นไถล) จัดทำพื้นที่ปลอดภัยทุกครั้ง
- อย่าตัดไม้ที่มีความสูงเหนือเอว
- อย่ายืนบนบันได
- อย่ายืนขึ้นไปบนต้นไม้เพื่อทำการตัด
- อย่ทำงานบนพื้นผิวที่ไม่มั่นคง
- นำทราย กอนหิน ตะปู ฯลฯ ที่พบภายในบริเวณที่ทำงานออกไป
- วัตถุแปลกปลอมดังกล่าวอาจทำให้เครื่องตัดเสียหายและเป็นสาเหตุของการติดกลับที่เป็นอันตราย
- ก่อนเริ่มตัดเครื่องตัดต้องอยู่ในสภาพที่มีความเร็วในการทำงานเต็มที่
- เมื่อใช้ใบมีดโลหะ ให้แกว่งเครื่องมือเป็นครึ่งวงกลมจากทวนขวาไปทางซ้ายอย่างสม่ำเสมอ เหมือนกับการใช้เคียว หากมีเศษหญ้าหรือกิ่งไม้ติดอยู่ระหว่างเครื่องตัดและอุปกรณ์ป้องกัน ให้ดับเครื่องยนต์ก่อนที่จะทำความสะอาด มิฉะนั้น ใบมีดอาจหมุนโดยไม่ตั้งใจและอาจทำให้เกิดการบาดเจ็บร้ายแรงได้
- หยุดพักสักครู่ เพื่อป้องกันการสูญเสียความควบคุมอันเนื่องมาจากความเหนื่อยล้า ขอแนะนำให้อยู่ดพัก 10 - 20 นาที ทุกๆ หนึ่งชั่วโมง



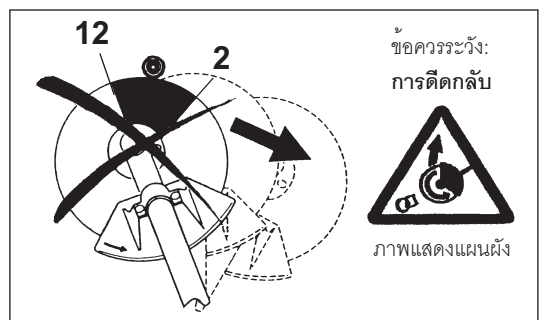
## เครื่องตัด

- ใช้เครื่องตัดที่เหมาะสมกับงาน
- ใบมีดโลหะเหมาะสำหรับการตัดวัชพืช หญ้าสูง พุ่มไม้ ยอดไม้ ไม้อ่อน สุ่มไม้ และที่คล้ายคลึงกัน
- อย่ใช้ใบมีดอื่นอื่น รวมถึงใช้ฟันรอบแกนแบบหลายชั้นและใบมีดที่สามารถเคลื่อนที่ได้โดยไม่ต้องมีการควบคุมเป็นอันตราย เนื่องจากอาจทำให้ได้รับบาดเจ็บร้ายแรงได้
- เมื่อใช้ใบมีดโลหะ ให้หลีกเลี่ยง "การติดกลับ" และให้เตรียมตัวรับการติดกลับอย่างไม่ตั้งใจอยู่เสมอ ดูในส่วน "การติดกลับ" และ "การป้องกันการติดกลับ"



## การติดกลับ (แรงผลักของใบมีด)

- การติดกลับ (แรงผลักของใบมีด) คือ ปฏิกริยาสะท้อนกลับที่เกิดขึ้นทันทีจากการกระทบหรือการเกี่ยวกับใบเจีย/ใบตัดที่กำลังหมุนอยู่ เมื่อเกิดขึ้น อุปกรณ์จะถูกโยนไปด้านข้างหรือไปทางผู้ใช้งานโดยแรง และอาจทำให้เกิดการบาดเจ็บรุนแรงได้
- การติดกลับเกิดได้โดยเฉพาะเมื่อส่วนของใบมีดระหว่างตำแหน่ง 12 ถึง 2 นาฬิกากระทบกับของแข็ง, พุ่มไม้ และต้นไม้ที่มีขนาดเส้นผ่านศูนย์กลาง 3 เซนติเมตรหรือใหญ่กว่า
- เพื่อหลีกเลี่ยงการติดกลับ:
  - ให้ใช้ส่วนของใบมีดในตำแหน่งระหว่าง 8 ถึง 11 นาฬิกา;
  - อย่ใช้ส่วนของใบมีดในตำแหน่งระหว่าง 12 ถึง 2 นาฬิกา;
  - อย่ใช้ส่วนของใบมีดในตำแหน่งระหว่าง 11 ถึง 12 นาฬิกา และ 2 ถึง 5 นาฬิกา นอกจากนี้ผู้ใช้งานจะได้รับการฝึกสอนมาอย่างดีและมีประสบการณ์ และใช้งานด้วยความเสี่ยงของตัวเอง;
  - อย่ใช้ใบมีดใกล้กับของแข็ง เช่น รั้ว, กำแพง, ลำต้นไม้ และหิน;
  - อย่ใช้ใบตัดแนวตั้งเพื่อตัดขอบและเล็มพุ่มไม้



## แรงสั่นสะเทือน

- บุคคลที่มีปัญหาเกี่ยวกับการไหลเวียนของเลือดและได้รับแรงสะเทือนมากเกินไปอาจได้รับบาดเจ็บบริเวณหลอดเลือดหรือระบบประสาท การสั่นสะเทือนอาจเป็นสาเหตุของอาการต่อไปนี้ที่บริเวณนิ้วมือ มือ หรือข้อมือ "ชา" (หมดความรู้สึก) ปวด เจ็บ ปวดเหมือนถูกแทง สิวหรือผิวหนังเปลี่ยนแปลง หากเกิดอาการเหล่านี้ โปรดไปพบแพทย์!
- เพื่อลดความเสี่ยงต่อการเกิด "อาการนิ้วซีดขาวเนื่องจากเลือดไม่ไปเลี้ยงปลายนิ้ว" ในระหว่างการทำงาน ควรให้มือของคุณอบอุ่นอยู่เสมอ และดูแลรักษาอุปกรณ์และอุปกรณ์เสริมต่างๆ ให้อยู่ในสภาพสมบูรณ์



## คำแนะนำในการดูแลรักษา

- หากต้องการตรวจสอบอุปกรณ์ของคุณ ควรให้ศูนย์บริการที่ได้รับอนุญาตของเราเป็นผู้ดำเนินการ และควรใช้ชิ้นส่วนอะไหล่ของแท้เท่านั้น การซ่อมแซมที่ไม่ถูกต้องและการดูแลรักษาที่ไม่ดีพออาจทำให้อายุการใช้งานของอุปกรณ์สั้นลงและเพิ่มความเสี่ยงต่อการเกิดอุบัติเหตุ
- ต้องตรวจสอบสภาพของใบตัด โดยเฉพาะอุปกรณ์ป้องกันของเครื่องตัด รวมถึงสายพาดไหล่ ก่อนเริ่มตัดทำงาน ต้องดูแลรักษาใบตัดให้มีความคมอย่างเหมาะสมอยู่เสมอ
- ปิดสวิทช์เครื่องยนต์และถอดขั้วต่อหัวเทียนออกเมื่อทำการเปลี่ยนหรือลับคมเครื่องตัด และเมื่อทำความสะอาดใบมีดหรือเครื่องตัด

### อย่าตัดเครื่องตัดไม้โดยตรงหรือเชื่อมเครื่องตัดที่ชำรุดเสียหาย

- ให้ความใส่ใจต่อสภาพแวดล้อม หลีกเลี่ยงการเร่งน้ำมันโดยไม่จำเป็น เพื่อลดการเกิดมลภาวะ และลดเสียงรบกวน ปรับแต่งคาร์บูเรเตอร์อย่างถูกต้อง
- ทำความสะอาดอุปกรณ์อย่างสม่ำเสมอ และรวมถึงตรวจสอบสกรูและน็อตทุกตัวว่าขันแน่นดีแล้ว
- อย่าทำการบำรุงรักษาหรือจัดเก็บอุปกรณ์ในบริเวณที่มีเปลวไฟ
- จัดเก็บอุปกรณ์ในท้องที่ปิดล็อกและถ่ายน้ำมันออกจากถังจนหมดทุกครั้ง
- เมื่อจะทำความสะอาด, ตรวจสอบ และจัดเก็บอุปกรณ์ ให้ติดตั้งฝาครอบใบมีดทุกครั้ง



ศึกษาคำแนะนำเพื่อป้องกันอุบัติเหตุที่มีให้ ซึ่งจัดทำโดยสมาคมทางการค้าที่เกี่ยวข้องและโดยบริษัทประกันภัย  
อย่าทำการปรับเปลี่ยนอุปกรณ์เพราะจะเสี่ยงต่อความปลอดภัยของคุณ

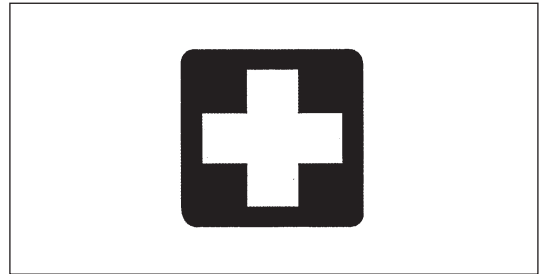
ผู้ใช้สามารถดูแลรักษาหรือทำการซ่อมแซมเครื่องมือได้เฉพาะที่ระบุไว้ในคู่มือการใช้งานเท่านั้น ส่วนงานอื่นๆ ต้องดำเนินการโดยตัวแทนบริการที่ได้รับอนุญาต ใช้ชิ้นส่วนและ  
อุปกรณ์เสริมของแท้ที่ผลิตและจัดจำหน่ายโดย MAKITA เท่านั้น  
การใช้อุปกรณ์เสริมและเครื่องมือที่ไม่ผ่านการรับรองจะเพิ่มความเสี่ยงต่อการเกิดอุบัติเหตุ  
MAKITA จะไม่รับผิดชอบใดๆ สำหรับอุบัติเหตุหรือความเสียหายที่เกิดจากการใช้ใบมีด, อุปกรณ์ติดตั้งของใบมีด หรืออุปกรณ์เสริมที่ไม่ผ่านการรับรอง

### การปฐมพยาบาล

ในกรณีที่เกิดอุบัติเหตุ ให้ตรวจสอบว่ามีกล่องชุดปฐมพยาบาลอยู่ในบริเวณที่ทำการตัด เปลี่ยน  
สิ่งที่ใช้งานแล้วออกจากกล่องชุดปฐมพยาบาลทันที

ในกรณีที่โทรศัพท์ขอความช่วยเหลือ โปรดแจ้งข้อมูลต่อไปนี้:

- สถานที่เกิดอุบัติเหตุ
- เหตุการณ์ที่เกิดขึ้น
- จำนวนผู้ได้รับบาดเจ็บ
- ลักษณะของการบาดเจ็บ
- ชื่อของคุณ

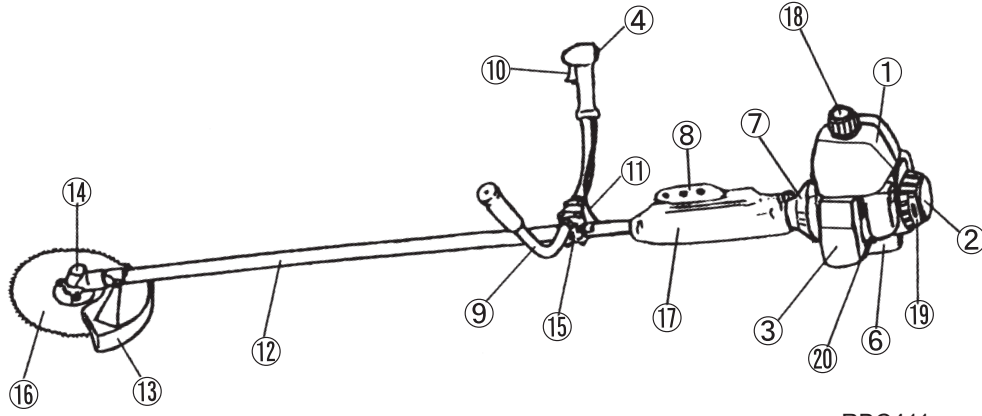


## ข้อมูลทางเทคนิค

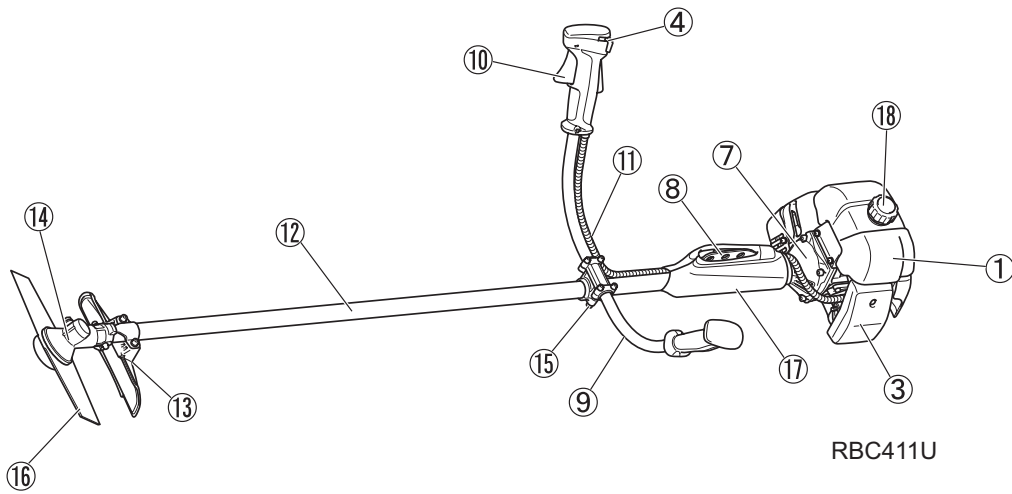
รุ่น	RBC411	RBC411U
	มือจับรูปตัว U	
ขนาด: ความยาว x ความกว้าง x ความสูง (ไม่รวมใบตัด)	มม.	1,705 x 620 x 435
น้ำหนัก (ไม่รวมอุปกรณ์ป้องกันพลาสติกและใบตัด)	กก.	7.3
ความจุ (ถังน้ำมันเชื้อเพลิง)	ลิตร	1.1
การกระจัดของเครื่องยนต์	ซม. <sup>3</sup>	40.2
ประสิทธิภาพสูงสุดของเครื่องยนต์	กิโลวัตต์	1.47 ที่ 7,000 นาที่ <sup>-1</sup>
ความเร็วของเครื่องยนต์ที่ความเร็วเพลาน้ำมันสูงสุดที่แนะนำ	นาที่ <sup>-1</sup>	10,000
ความเร็วเพลาน้ำมันสูงสุด (ที่เกี่ยวข้อง)	นาที่ <sup>-1</sup>	6,800
ปริมาณการใช้น้ำมันเชื้อเพลิง	กก./ซม.	0.98 (32.8 ออนซ์/ซม.)
การใช้น้ำมันเชื้อเพลิงเฉพาะ	ก./กิโลวัตต์-ชั่วโมง	1134.5 (29.9 ออนซ์/กิโลวัตต์-ซม.)
ความเร็วในอัตรารอบเดินเบา	นาที่ <sup>-1</sup>	2,800
ความเร็วในการใช้งานคลัตช์	นาที่ <sup>-1</sup>	3,600
คาร์บูเรเตอร์		ประเภทโฟลท์ - คาร์บูเรเตอร์
ระบบจุดระเบิด	ประเภท	การจุดระเบิดแบบโซลิดสเตต
หัวเทียน	ประเภท	NGK BPM7A
ช่องระหว่างซี่	มม.	0.6 – 0.7
อัตราส่วนผสม (น้ำมันเชื้อเพลิง: น้ำมันเครื่องสองจังหวะของ MAKITA)		25 : 1
อัตราทดเกียร์		13/19

1) ข้อมูลเทียบได้กับตอนเดินเครื่องอัตรารอบเดินเบาและตอนเร่ง หรือในโหมดที่เร่งความเร็วสูงสุด

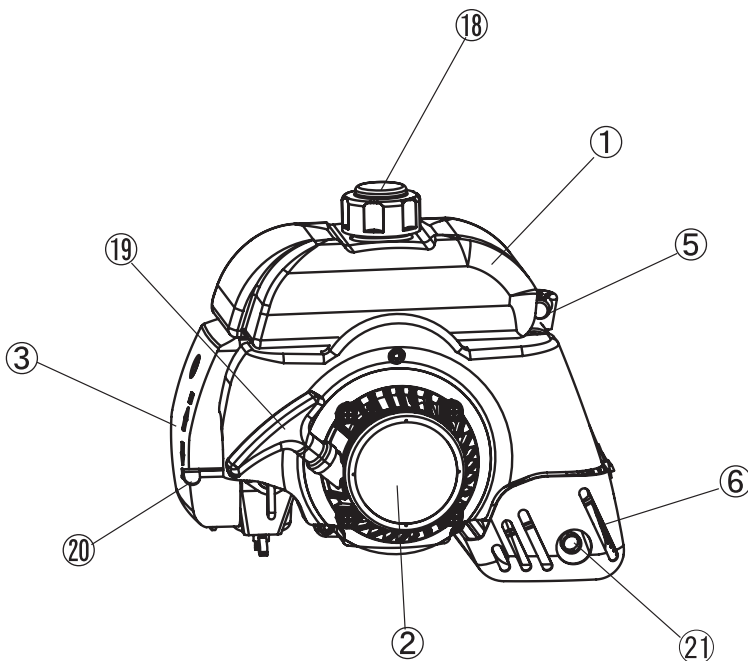
RBC411U: รุ่นนี้ปรับแต่งมาเพื่อใช้กับน้ำมันเบนซิน E20



RBC411



RBC411U



TH	ชื่อชิ้นส่วนต่างๆ
1	ถังน้ำมันเชื้อเพลิง
2	สตาร์ทเตอร์แบบมือดึงมีลานม้วนกลับ
3	หม้อกรองอากาศ
4	สวิตช์ I-O (เปิด/ปิด)
5	หัวเทียน
6	หม้อพักไอเสีย
7	กระปุกคลัตช์
8	ที่แขวน
9	มือจับ
10	คันเร่งน้ำมัน
11	สายคันเร่งน้ำมัน
12	เพลลา
13	อุปกรณ์ป้องกัน
14	กระปุกเฟืองเกียร์
15	ตัวยึดมือจับ
16	ใบตัด
17	แผ่นรองเอว
18	ฝาปิดถังน้ำมันเชื้อเพลิง
19	ลูกบิดสตาร์ทเตอร์
20	แกนโช๊ค
21	ท่อไอเสีย

## การประกอบเครื่องยนต์และเพลลา

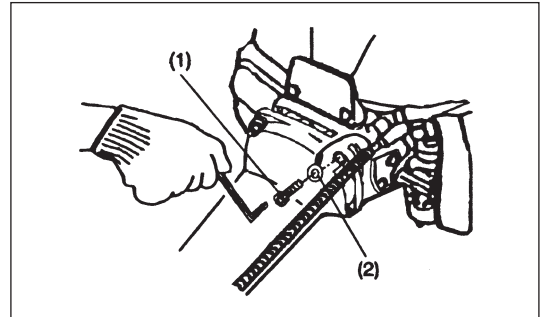
ข้อควรระวัง: ก่อนทำงานใดๆ กับเครื่องตัดหญ้า ให้ปิดสวิทช์มอเตอร์และถอดหัวเทียนออกจากหัวเทียนทุกครั้ง

สวมถุงมือป้องกันทุกครั้ง

ข้อควรระวัง: เริ่มต้นทำงานอุปกรณ์เมื่อประกอบชิ้นส่วนทุกอย่างครบถ้วนแล้วเท่านั้น

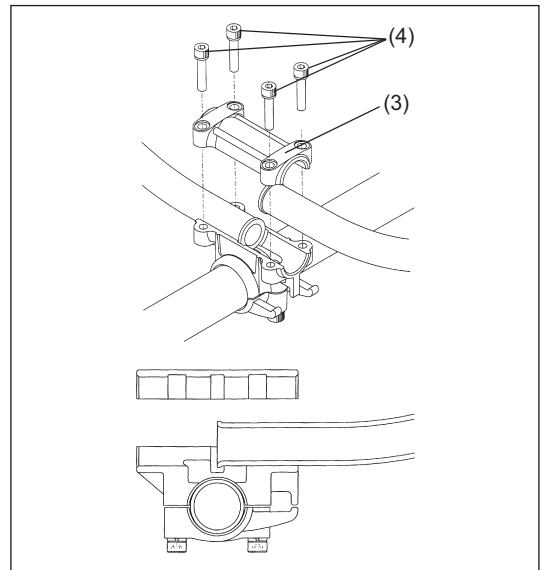


- หลังจากการตรวจสอบชิ้นส่วนแล้ว ให้ขันเพลลาเข้ากับเครื่องยนต์ด้วยโบลต์ M6 x 22 (1) จำนวนสี่ตัว โดยให้ขันหัวดิน (2) ของสายหยุดเข้าไปกับเครื่องยนต์ด้วย



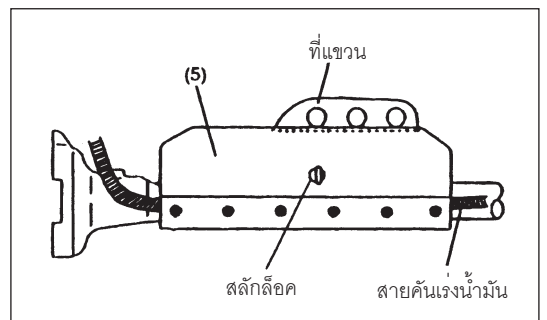
## การประกอบมือจับ

- ใส่มือจับที่มีคันเร่งน้ำมันเข้ากับตัวยึดมือจับที่ด้านขวา (จะถูกใช้ด้วยมือขวา) และมือจับอีกอันไว้ที่ด้านซ้าย
- ใส่ขอบของมือจับเข้ากับร่องของตัวยึดมือจับ และยึดด้านบน (3) ของตัวยึดมือจับเอาไว้ชั่วคราวด้วยโบลต์ M5 x 25 (4) สี่ตัว
- ปรับมือจับให้อยู่ในมุมที่ง่ายต่อการใช้งาน แล้วขันโบลต์ (4) ให้แน่นเท่าๆกันทั้งด้านขวาและด้านซ้าย



- ติดตั้งแผ่นรองเอน (5) เมื่อติดตั้งแผ่นรองเอนแล้ว ให้ตรวจสอบให้แน่ใจว่าลวดไม่เคลื่อนที่ในแนวนอน
- อย่าให้สายคันเร่งน้ำมันไปพันห่มมือจับ

สลักล๊อคมีไว้เพื่อป้องกันเครื่องยนต์ไม่ให้หมุนไปตามเพลลาขับ เมื่อเริ่มเดินเครื่อง หรือเมื่อย้ายอุปกรณ์จากที่หนึ่งไปยังอีกที่หนึ่ง สลักควรถูกปลดเมื่อเครื่องจะถูกใช้งาน



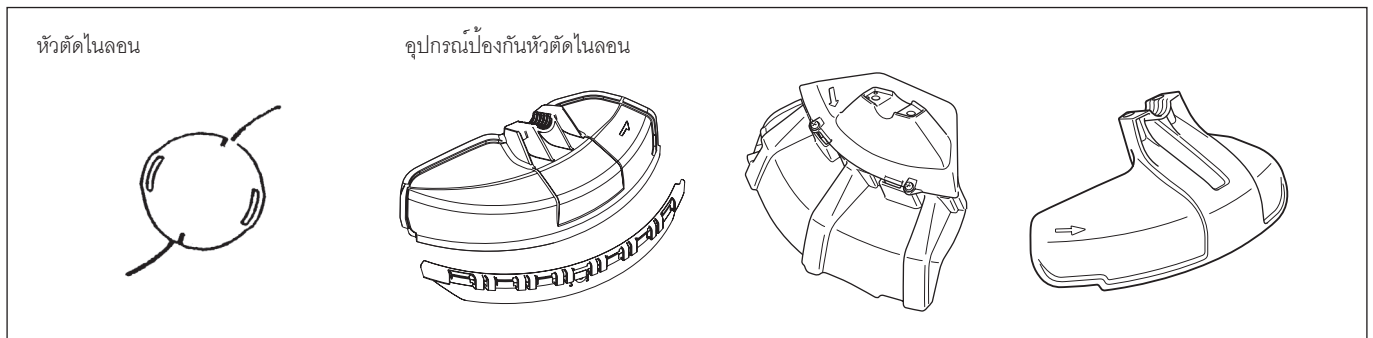
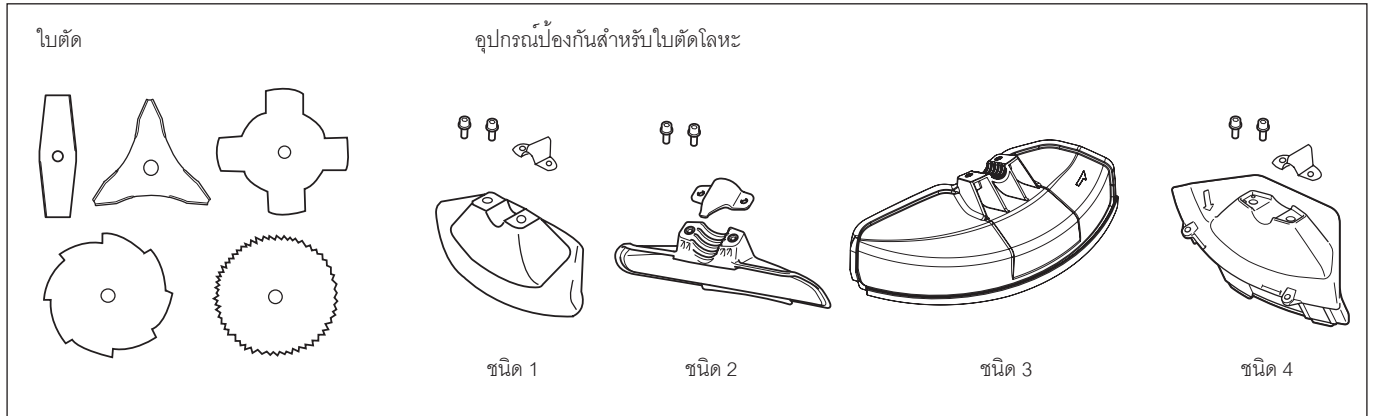
## การประกอบอุปกรณ์ป้องกัน

เพื่อให้สอดคล้องกับข้อกำหนดด้านความปลอดภัย ต้องใช้เครื่องมือ/อุปกรณ์ป้องกันร่วมกันตามที่แสดงในตารางเท่านั้น



ให้ใช้ใบมีดหรือหัวตัดในลอนของแท่งของ MAKITA

- ต้องลับใบมีดให้คม ไม่ให้มีรอยร้าว หรือการแตกหัก
- หากใบตัดกระแทกเข้ากับก้อนหินระหว่างการทำงาน ให้หยุดการทำงานของเครื่องยนต์และตรวจสอบใบตัดทันที
- ให้ลับหรือเปลี่ยนใบมีดทุกสามชั่วโมงของการทำงาน
- เส้นผ่านศูนย์กลางภายนอกของใบตัดต้องมีขนาด 255 มม. (10") สามารถใช้ใบตัดที่มีขนาดเส้นผ่านศูนย์กลางภายนอก 305 มม. หรือ 12 นิ้วได้ก็ต่อเมื่อใช้ใบตัดสองหรือสามใบเท่านั้น



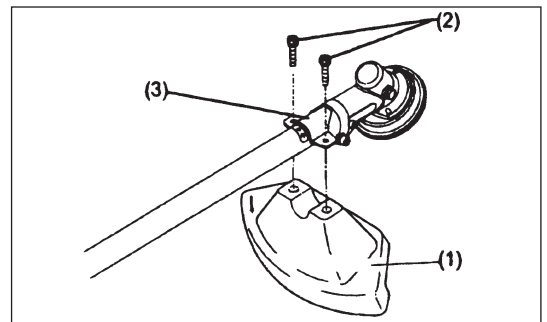
ข้อควรระวัง: ต้องประกอบเครื่องป้องกันทุกครั้งเพื่อความปลอดภัยของตัวเอง และเพื่อให้เป็นไปตามข้อกำหนดด้านการป้องกันอุบัติเหตุ ห้ามใช้งานเครื่องมือโดยไม่ติดตั้งอุปกรณ์ป้องกัน

### ชนิด 1, 2

- ยึดเครื่องป้องกัน (1) เข้ากับแคลมป์ (3) ด้วยโบลต์ M6 x 30 สองตัว (2)

หมายเหตุ: ชันโบลต์ด้านขวาและด้านซ้ายให้แน่นเท่าๆ กันเพื่อให้ช่องว่างระหว่างแคลมป์ (3) และเครื่องป้องกัน (1) อยู่คงที่  
มีฉะนั้น เครื่องป้องกันอาจทำงานไม่ได้ตามที่ระบุในบางครั้ง

ข้อควรระวัง: เส้นผ่านศูนย์กลางภายนอกของใบตัดต้องมีขนาด 255 มม. (10") สามารถใช้ใบตัดที่มีขนาดเส้นผ่านศูนย์กลางภายนอก 305 มม. หรือ 12 นิ้วได้ก็ต่อเมื่อใช้ใบตัดสองหรือสามใบเท่านั้น



### ชนิด 3

— ในการใช้งานใบตัดโลหะ ให้ยึดอุปกรณ์ป้องกัน (3) เข้ากับแคลมป์ (2) ด้วยโบลต์ (1) สองตัว

หมายเหตุ: ชันโบลต์ด้านขวาและด้านซ้ายให้แน่นเท่าๆ กันเพื่อให้ช่องว่างระหว่างแคลมป์ (2) และ อุปกรณ์ป้องกัน (3) เท่ากัน มิฉะนั้น อุปกรณ์ป้องกันอาจทำงานไม่ได้ตามที่ระบุในบางครั้ง

ข้อควรระวัง: เส้นผ่านศูนย์กลางภายนอกของใบตัดต้องมีขนาด 255 มม. (10") สามารถใช้ใบตัดที่มีขนาดเส้นผ่านศูนย์กลางภายนอก 305 มม. หรือ 12 นิ้วได้ก็ต่อเมื่อใช้ใบตัดสองหรือสามใบเท่านั้น

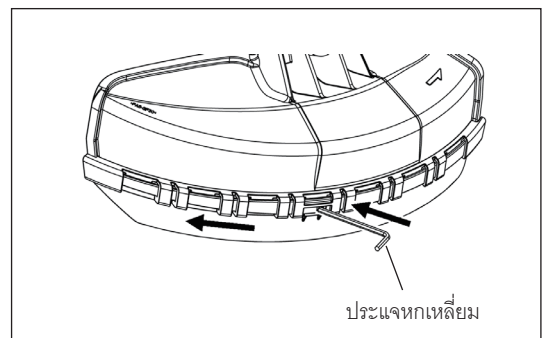
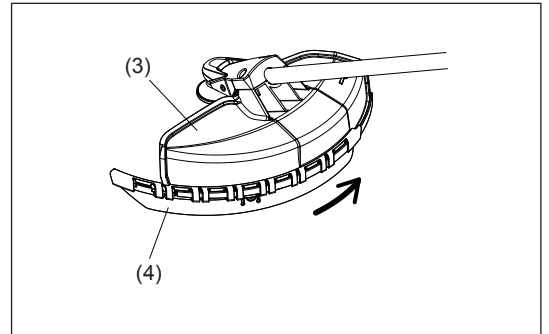
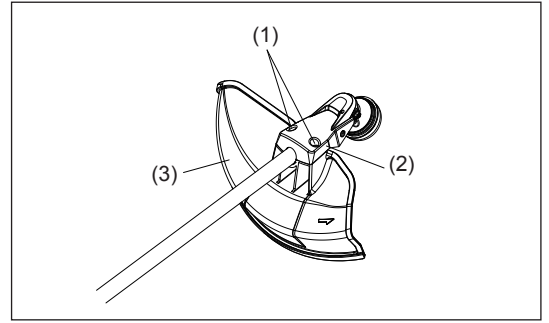
— ในกรณีที่ใช้งานใบตัดตัดเส้นในลอน ให้ตรวจสอบว่าได้ประกอบส่วนขยายของอุปกรณ์ป้องกัน (4) เข้ากับอุปกรณ์ป้องกันสำหรับใบตัดโลหะ (3)

— ประกอบอุปกรณ์ป้องกันใบตัดตัดเส้นในลอน (4) โดยการเลื่อนเข้าไปในช่องด้านข้างของอุปกรณ์ป้องกันสำหรับใบตัดโลหะ (3) ตามที่แสดงในภาพ

— นำเทปที่ติดอยู่กับใบตัดสำหรับตัดเส้นในลอน ซึ่งอยู่บนอุปกรณ์ป้องกันใบตัดตัดเส้นในลอน (4) ออก

ข้อควรระวัง: ตรวจสอบว่าได้กดอุปกรณ์ป้องกันใบตัดตัดเส้นในลอน (4) เข้าไปจนสุดแล้ว ระวังอย่าให้ได้รับบาดเจ็บจากใบตัดสำหรับตัดเส้นในลอน

— หากต้องการนำอุปกรณ์ป้องกันใบตัดตัดเส้นในลอน (4) ออก ให้สอดประแจเหล็กเข้าไปในรอยบาก บนอุปกรณ์ป้องกันใบตัดโลหะ (3) ดันเข้าไปพร้อมกับเลื่อน อุปกรณ์ป้องกันใบตัดตัดเส้นในลอน (4)



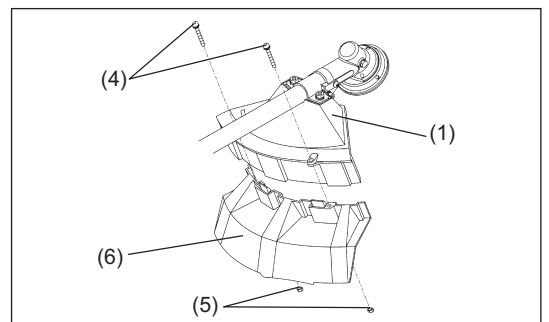
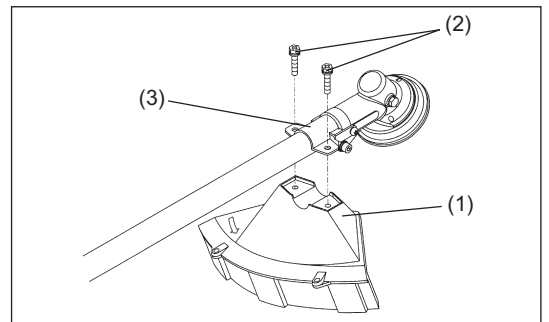
### ชนิด 4

— ยึดอุปกรณ์ป้องกัน (1) เข้ากับแคลมป์ (3) โดยใช้โบลต์ M6 x 30 สองตัว (2)

หมายเหตุ: ชันโบลต์ด้านขวาและด้านซ้ายให้แน่นเท่าๆ กันเพื่อให้ช่องว่างระหว่างแคลมป์ (3) และ อุปกรณ์ป้องกัน (1) เท่ากัน มิฉะนั้น บางครั้งอุปกรณ์ป้องกันอาจทำงานไม่ได้ตามที่ระบุ

ข้อควรระวัง: เส้นผ่านศูนย์กลางภายนอกของใบตัดต้องมีขนาด 255 มม. (10") อย่าใช้ใบมีดที่มีเส้นผ่านศูนย์กลางด้านนอกเกินกว่า 255 มม. (10")

— เมื่อใช้งานหัวตัดในลอน ให้ติดตั้งอุปกรณ์ป้องกัน (6) เข้าในอุปกรณ์ป้องกัน (1) และขันให้แน่น โดยใช้สกรูสองตัว (4) และน็อตสองตัว (5)

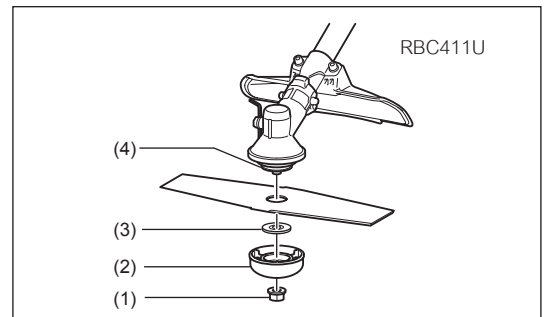
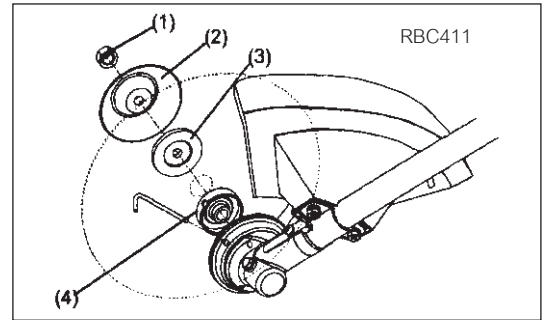




## การประกอบใบตัด



- สอดประแจหกเหลี่ยมเข้าไปในรูของกระปุกเฟืองเกียร์ หมุนแหวนรับ (4) จนกว่าจะล็อกเข้าที่โดยใช้ประแจหกเหลี่ยม
- คลายเกลียวน็อต (1) (เกลียวด้านซ้าย) ด้วยประแจกระบอก แล้วถอดน็อต (1), ถ้วย (2) และแหวนยึด (3) ออก



## การประกอบใบมีดตัด

โดยให้ประแจหกเหลี่ยมอยู่ที่

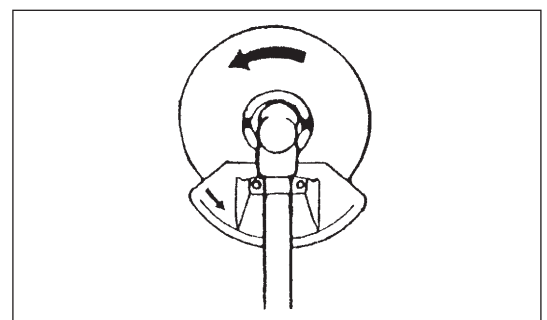
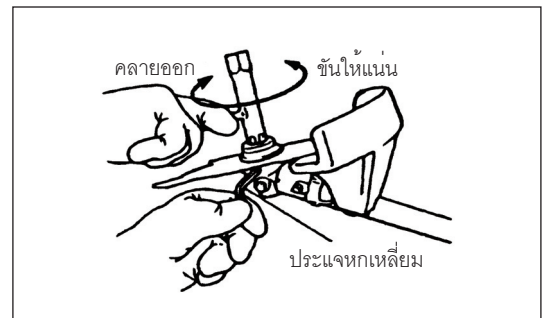
- ประกอบใบมีดลงไปบนแกนเพลาเพื่อให้แนวของแหวนรับ (4) ตรงกับรูแกนกลางในใบมีด ประกอบแหวนยึด (3) ถ้วย (2) และใช้น็อต (1) ยึดใบมีดให้แน่น  
[แรงบิดในการขัน: 13 - 23 N·m]

หมายเหตุ: สวมถุงมือป้องกันในขณะที่ใช้งานใบมีดเสมอ

หมายเหตุ: น็อตยึดใบมีด (ที่มีแหวนสปริง) เป็นชิ้นส่วนอะไหล่สิ้นเปลือง

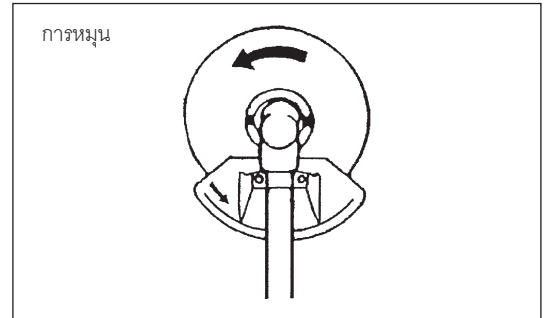
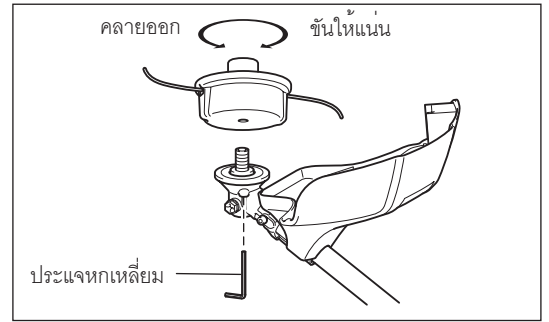
หากพบว่าแหวนสปริงเริ่มสึกหรือหรือบิดเบี้ยวผิดปกติรูปร่าง ให้เปลี่ยนน็อตใหม่

ตรวจสอบว่าใบมีดชี้ขึ้นทางด้านซ้าย



### การประกอบหัวตัดไนลอน

- ในการประกอบหัวตัดไนลอน ไม่จำเป็นต้องใช้แหวนยึด (3), เบ้า (2) และน็อต (1) หัวตัดไนลอนควรอยู่ด้านบนของแหวนรับ (4)
- สอดประแจหกเหลี่ยมเข้าไปในรูของกระปุกเฟืองเกียร์ หมุนแหวนรับ (4) จนกว่าจะล็อกเข้าที่โดยใช้ประแจหกเหลี่ยม
- จากนั้น ให้ขันสกรูยึดหัวตัดไนลอนเข้ากับแกนเพลลาโดยการหมุนทวนเข็มนาฬิกา
- ถอดประแจหกเหลี่ยม



## เชื้อเพลิง/การเติมเชื้อเพลิง



### การจัดการผลิตภัณฑ์ที่ทำจากน้ำมันปิโตรเลียม

ต้องใช้ความระมัดระวังสูงสุดเมื่อใช้งานน้ำมันเชื้อเพลิง น้ำมันเชื้อเพลิงอาจมีสารลักษณะเดียวกับตัวทำละลาย เติมน้ำมันเชื้อเพลิงในสถานที่ที่มีการระบายอากาศดีหรือบริเวณกลางแจ้ง อากาศตามไอระเหยของน้ำมันเชื้อเพลิง ระมัดระวังไม่ให้น้ำมันเชื้อเพลิงหรือน้ำมันเครื่องสัมผัสผิวหนังของคุณ ผลิตภัณฑ์ที่ทำจากน้ำมันจะก่อให้เกิดผิวหนังของคุณแห้ง หากผิวหนังของคุณสัมผัสกับสารดังกล่าวอย่างต่อเนื่องและเป็นเวลานาน ผิวของคุณอาจจะเกิดโรคขึ้นได้ นอกจากนี้ยังอาจเกิดปฏิกิริยาจากภูมิแพ้ได้ ดวงตาอาจจะคายเคืองเมื่อสัมผัสกับน้ำมันเครื่อง น้ำมันเชื้อเพลิง ฯลฯ หากน้ำมันเข้าตา ให้รีบล้างออกด้วยน้ำสะอาดทันที หากดวงตาของคุณยังคงระคายเคือง โปรดไปพบแพทย์ทันที



ดูรายละเอียดของคำแนะนำด้านความปลอดภัยในหน้า 61!

### น้ำมันเชื้อเพลิงผสม

เครื่องยนต์ของเครื่องตัดหญ้านี้เป็นเครื่องยนต์สองจังหวะประสิทธิภาพสูง ซึ่งทำงานได้โดยมีเชื้อเพลิงเป็นส่วนผสมของน้ำมันเบนซินและน้ำมันเครื่องสองจังหวะ เครื่องยนต์ได้รับการออกแบบมาให้ใช้งานกับน้ำมันเบนซินไร้สารตะกั่วปกติที่มีค่าออกเทน 91 RON เป็นอย่างน้อย ในกรณีที่ไม่สามารถหาน้ำมันดังกล่าวได้ คุณสามารถใช้น้ำมันเชื้อเพลิงที่มีค่าออกเทนสูงกว่า การทำดังกล่าวจะไม่ส่งผลกระทบต่อเครื่องยนต์ แต่อาจทำให้การทำงานของเครื่องยนต์มีประสิทธิภาพลดลง

อาการในลักษณะเดียวกันนี้จะเกิดขึ้นจากการใช้น้ำมันเชื้อเพลิงที่มีสารตะกั่ว เพื่อให้เครื่องยนต์ทำงานอย่างมีประสิทธิภาพสูงสุด และเพื่อป้องกันสุขภาพของคุณและสิ่งแวดล้อม จึงควรใช้น้ำมันไร้สารตะกั่วเท่านั้น!

RBC411U: รุ่นนี้ปรับแต่งมาเพื่อใช้กับน้ำมันเบนซิน E20

สำหรับการหล่อลื่นเครื่องยนต์ ให้ใช้น้ำมันเครื่องสองจังหวะ (ระดับคุณภาพ: TC-3) ซึ่งเติมลงในน้ำมันเชื้อเพลิง เครื่องยนต์ได้รับการออกแบบขึ้นเพื่อใช้งานกับน้ำมันเครื่องสองจังหวะของ MAKITA และมีอัตราส่วนผสม 25:1 เท่านั้นเพื่อปกป้องสภาพแวดล้อม นอกจากนี้ ยังมีอายุการใช้งานที่ยาวนาน และการทำงานที่เชื่อถือได้โดยมีการปล่อยไอเสียในปริมาณน้อยที่สุด อัตราส่วนผสมน้ำมันเครื่องสองจังหวะ MAKITA ต้องเป็น 25:1 ไม่เช่นนั้นจะรับรองการทำงานที่วางใจได้ของเครื่องตัดหญ้าไม่ได้

### อัตราส่วนผสมที่ถูกต้อง คือ

ผสมน้ำมันเบนซิน 25 ส่วนเข้ากับน้ำมันเครื่องสองจังหวะของ MAKITA (ดูตารางด้านขวา)

**หมายเหตุ:** ในการจัดเตรียมส่วนผสมของน้ำมันเบนซินและน้ำมันเครื่อง ขั้นแรกให้ผสมน้ำมันเครื่องทั้งหมดเข้ากับน้ำมันเบนซินครึ่งหนึ่งที่ต้องการในภาชนะที่ผ่านการรับรองซึ่งมีคุณสมบัติตรงหรือเกินกว่ามาตรฐานของกฎหมายท้องถิ่นทั้งหมด แล้วจึงเติมน้ำมันเชื้อเพลิงส่วนที่เหลือ เขย่าส่วนผสมก่อนเติมลงในถังน้ำมันของเครื่องตัดหญ้า เพื่อให้สามารถทำงานได้อย่างปลอดภัย จึงไม่ควรใส่น้ำมันเครื่องในอัตราส่วนมากกว่าที่ระบุไว้ เพราะไม่เพียงแต่จะทำให้เกิดสิ่งตกค้างจากการเผาไหม้สูงซึ่งจะก่อให้เกิดมลภาวะต่อสภาพแวดล้อม แต่จะยังอุดตันต่อท่อไอเสียในกระบอกสูบ, หัวเทียนและหม้อพักไอเสีย นอกจากนี้ การสิ้นเปลืองน้ำมันเชื้อเพลิงจะเพิ่มขึ้นแต่ประสิทธิภาพจะลดลง

### การเติมน้ำมันเชื้อเพลิง

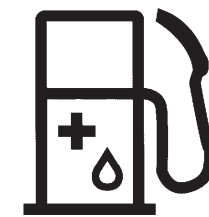
อย่าเติมน้ำมันเชื้อเพลิงในพื้นที่ปิด หรือไม่มีอากาศถ่ายเท

#### ต้องปิดสวิตช์เครื่องยนต์!

- ทำความสะอาดพื้นที่รอบฝาปิดถังน้ำมันทั้งหมดเพื่อป้องกันสิ่งสกปรกเข้าสู่ถังน้ำมันเชื้อเพลิง
- คลายเกลียวสกรูของฝาปิดถังน้ำมัน และเติมน้ำมันเชื้อเพลิงลงในถังน้ำมัน
- อย่าเติมน้ำมันจนเต็มเกินไป
- ขึ้นสกรูของฝาปิดถังน้ำมันใหม่
- เช็ดสกรูปิดและถังน้ำมันด้วยผ้าซับหลังจากเติมน้ำมัน! ปล่อยให้แห้งแล้วจึงติดตั้งในภาชนะที่เหมาะสม

### การจัดเก็บน้ำมันเชื้อเพลิง

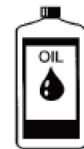
ไม่ควรจัดเก็บน้ำมันเชื้อเพลิงอย่างไม่มีกำหนด ควรซื้อน้ำมันเชื้อเพลิงในปริมาณที่จำเป็นต่อใช้ภายในระยะเวลา 4 สัปดาห์ ใช้ภาชนะจัดเก็บน้ำมันเชื้อเพลิงที่ได้รับอนุญาตเท่านั้น



น้ำมันเบนซิน  
(ไร้สารตะกั่ว)

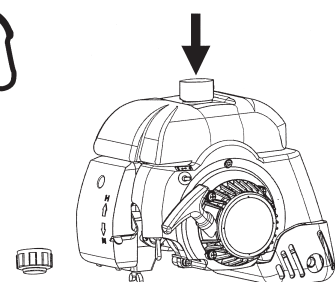


25:1



1,000 cc (1 ลิตร)  
5,000 cc (5 ลิตร)  
10,000 cc (10 ลิตร)

40 cc  
200 cc  
400 cc



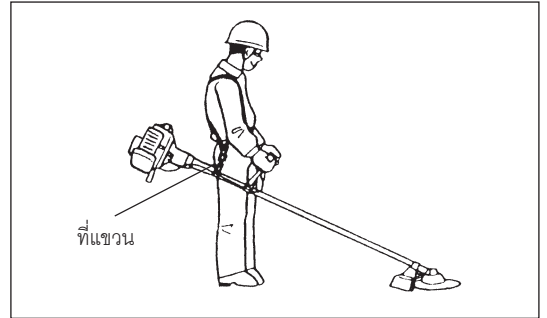


ชุดเครื่องมือนี้มาพร้อมกับแบบ I หรือ II อย่างใดอย่างหนึ่ง โปรดสวมสายสะพายไหล่ทุกครั้งเมื่อใช้เครื่องตัดหญ้า

**แบบ I**

**การติดสายสะพายไหล่**

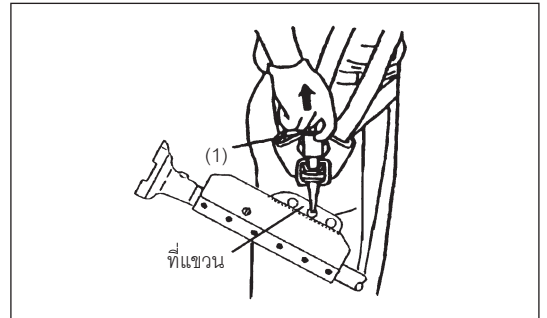
- ปรับความยาวของสายรัดเพื่อให้พอดีอยู่กับพื้นดิน



**การถอดอุปกรณ์**

- ในกรณีฉุกเฉิน ให้ดึงก้านถอดอุปกรณ์ฉุกเฉิน (1) โดยการดึงด้วยนิ้วแรงๆ เครื่องจักรจะถูกปลดออกจากร่างกาย
- ใช้ความระมัดระวังอย่างมากเพื่อให้สามารถควบคุมเครื่องมือได้ในขณะนี้ อย่าปล่อยให้เครื่องมือเบี่ยงเบนทิศทางไปหาคุณหรือบุคคลอื่นที่อยู่ภายในบริเวณพื้นที่ทำงาน

คำเตือน: การไม่สามารถควบคุมเครื่องยนต์ได้อย่างสิ้นเชิงอาจทำให้เกิดการบาดเจ็บสาหัสหรือเสียชีวิตได้

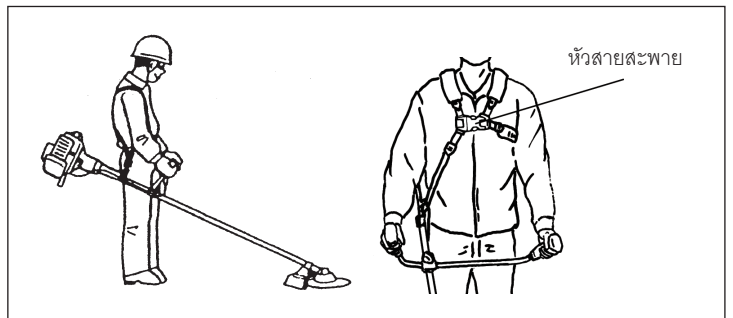


**แบบ II**

**การติดสายสะพายไหล่**

- ปรับความยาวของสายรัดเพื่อให้พอดีอยู่กับพื้นดิน

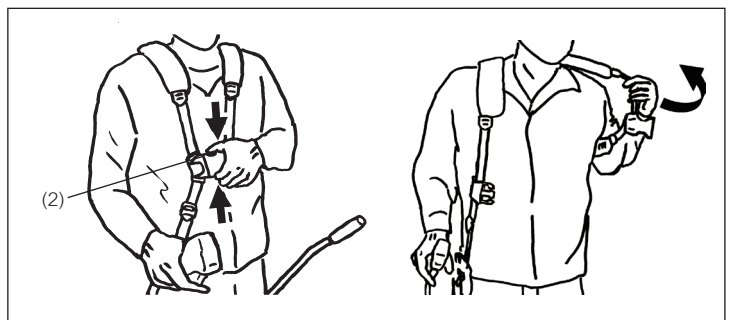
หมายเหตุ: ระวังอย่าให้เสื้อผ้าหรือสิ่งอื่นใดติดอยู่ในหัวสายสะพาย



**การถอดอุปกรณ์**

- ในกรณีฉุกเฉิน กดตรงรอยบาก (2) ทั้งสองด้าน คุณจะปลดเครื่องมือออกจากตัวได้ ใช้ความระมัดระวังอย่างมากเพื่อให้สามารถควบคุมเครื่องมือได้ในขณะนี้ อย่าปล่อยให้เครื่องมือเบี่ยงเบนทิศทางไปหาคุณหรือบุคคลอื่นที่อยู่ภายในบริเวณพื้นที่ทำงาน

คำเตือน: การไม่สามารถควบคุมเครื่องยนต์ได้อย่างสิ้นเชิงอาจทำให้เกิดการบาดเจ็บสาหัสหรือเสียชีวิตได้



## การนำมาใช้งาน

ศึกษาข้อกำหนดในการป้องกันอุบัติเหตุที่เกี่ยวข้อง!



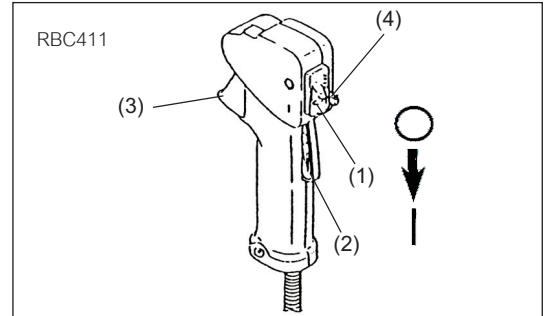
### การสตาร์ท

ย้ายอุปกรณ์ให้ห่างจากสถานที่เติมน้ำมันอย่างน้อย 3 เมตร (10 ฟุต) วางเครื่องตัดหญ้าแบบใช้น้ำมันลงบนพื้นที่สะอาด ระวังอย่าให้ส่วนใบตัดสัมผัสเข้ากับพื้นหรือวัตถุอื่นใด

### การสตาร์ทขณะเครื่องเย็น

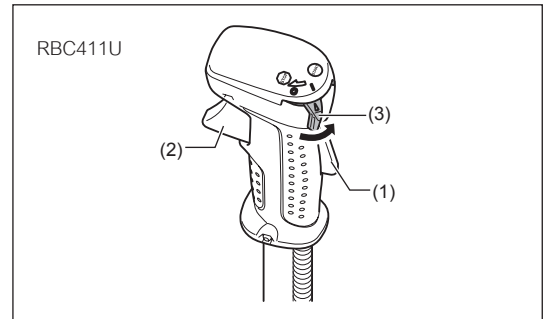
#### • สำหรับ RBC411

- กดสวิตช์ I-O (1) ในทิศทางที่แสดงตามลูกศร
- รวบมือจับ (แรงจับของมือจะทำให้คันล็อกเพื่อความปลอดภัยทำงาน (2))
- กดคันเร่ง (3) ค้างเอาไว้
- กดปุ่มล็อก (4) ปลดคันบังคับ แล้วปล่อยปุ่มล็อก (ปุ่มล็อกจะยึดคันเร่งในตำแหน่งเริ่มต้น)

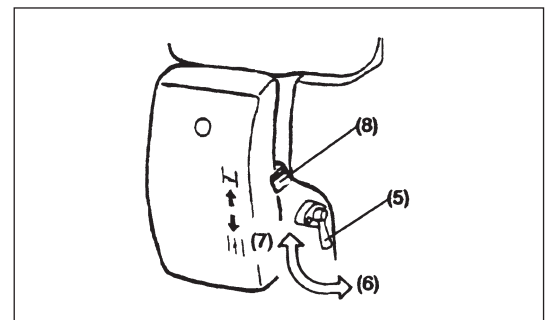


#### • สำหรับ RBC411U

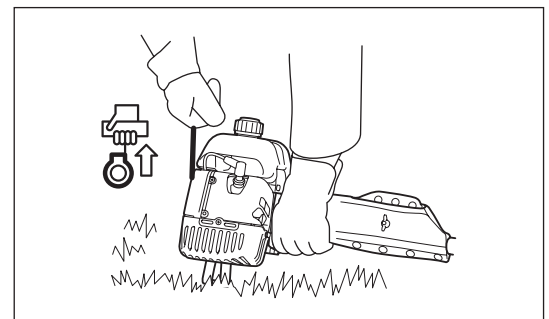
- รวบมือจับ (แรงจับของมือจะทำให้คันล็อกเพื่อความปลอดภัยทำงาน (1))
- กดคันเร่ง (2) ค้างเอาไว้
- ผลักสวิตช์ I-O (3) ไปยัง START



- ก่อนอื่นให้วางเครื่องลงบนพื้น
- เปิดวาล์วน้ำมันเชื้อเพลิง วาล์วจะเปิดเมื่อก้าน (5) ทำมุมตั้งฉากกับพื้น (6) วาล์วจะปิดเมื่อก้านขนานกับพื้นดิน (7)
- เลื่อนแกนโช๊ค (8) ไปที่ตำแหน่งด้านบน (I+)



- ใช้มือซ้ายจับกระปุกสวิตช์ให้แน่น ตามรูปประกอบ
- ค่อยๆ ดึงลูกบิดสตาร์ทเตอร์จนกว่าจะรู้สึกถึงแรงต้าน และดึงต่อไปด้วยเชือกช่วยดึง
- อย่าดึงเชือกสำหรับสตาร์ทเครื่องขึ้นจนสุด และอย่าปล่อยให้มือจับสตาร์ทเตอร์หดรูดกลับทันทีโดยไม่มีกรควบคุม แต่ควรหัดมือจับกลับช้าๆ
- ทำซ้ำขั้นตอนการสตาร์ทเครื่องจนกว่าจะได้ยินเสียงจุดระเบิดเครื่องยนต์
- ปล่อยแกนโช๊ค (I+) แล้วดึงเชือกสำหรับสตาร์ทเครื่องอีกครั้งจนกว่าเครื่องยนต์จะติด
- ทันทีที่เครื่องยนต์ติด ให้แตะและปล่อยคันเร่งทันที แล้วจึงปลดล็อกคันเร่งครึ่งเพื่อให้เครื่องยนต์เดินอืดวออบเดินเบา
- เดินเครื่องยนต์ประมาณหนึ่งนาทีด้วยความเร็วปานกลางก่อนเร่งคันเร่งน้ำมันจนสุด



### ข้อควรระวังในการทำงาน:

หากเปิดคันเร่งน้ำมันอย่างเต็มที่สำหรับการเดินเครื่องเปล่า การหมุนของเครื่องยนต์จะเพิ่มขึ้นจนถึง 10,000 นาที<sup>-1</sup> หรือมากกว่า อย่าใช้งานเครื่องยนต์ในอัตราความเร็วที่สูงกว่าที่กำหนด และให้ความเร็วอยู่ในอัตราประมาณ 6,000 - 8,000 นาที<sup>-1</sup>

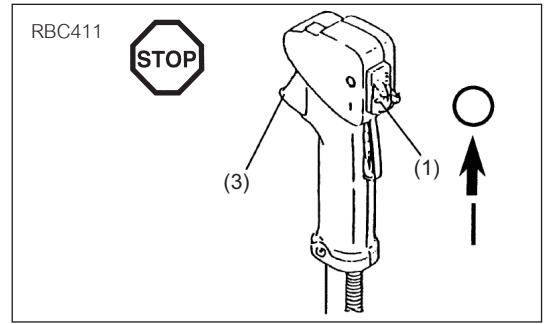
## เริ่มต้นการสตาร์ทเครื่องยนต์

— เหมือนขั้นตอนข้างบน ยกเว้นแต่ว่าไม่มีการเลื่อนแกนโช้ค (แกนโช้คยังคงอยู่ในตำแหน่งล่าง)

## การดับเครื่อง

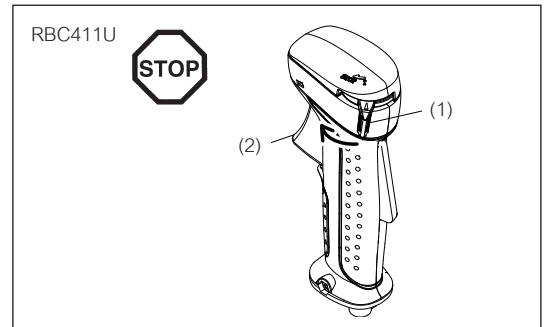
• สำหรับ RBC411

— ปลดคันเร่งน้ำมัน (3) จนสุด และเมื่อรอบต่อนาทีของเครื่องยนต์ลดลงแล้ว ให้ตั้งสวิตช์ I-O (1) ไปที่ตำแหน่ง "O" เพื่อให้เครื่องยนต์หยุดการทำงาน



• สำหรับ RBC411U

1) ปลดคันเร่งน้ำมัน (2) จนสุด และเมื่อรอบต่อนาทีของเครื่องยนต์ลดลงแล้ว ให้ตั้งสวิตช์ I-O (1) ไปที่ STOP ซึ่งจะทำให้เครื่องยนต์หยุดการทำงาน  
2) ใช้ความระมัดระวังเนื่องจากหัวตัดอาจไม่หยุดทำงานทันที และปล่อยให้หมุนช้าลงจนหยุดสนิท

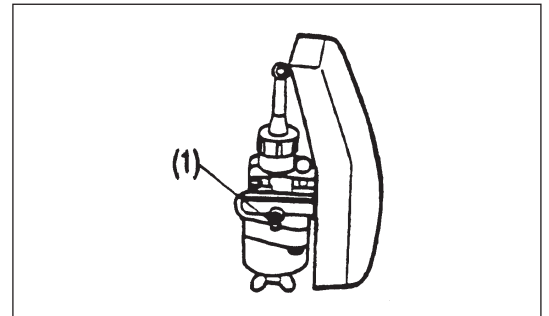


## การปรับอัตรารอบเดินเบา

ใบมีดตัดหรือหัวตัดไนลอนไม่ควรทำงาน เมื่อคันควบคุมถูกปล่อยสุด หากจำเป็น ให้ปรับรอบต่อนาทีของอัตรารอบเดินเบาโดยใช้สกรูปรับรอบเดินเบา

## การตรวจสอบความเร็วในอัตรารอบเดินเบา

— ความเร็วรอบเดินเบาควรถูกตั้งเป็น 2,600 นาที<sup>-1</sup> ในกรณีที่จำเป็น ให้ปรับความเร็วโดยใช้สกรูปรับรอบเดินเบา (ใบมีดตัดหญ้าหรือหัวตัดไนลอน ต้องไม่ทำงาน เมื่อเครื่องยนต์ทำงานในอัตรารอบเดินเบา) การขันสกรู (1) ให้แน่นจะเพิ่มความเร็วของเครื่องยนต์ แต่การคลายเกลียวสกรูจะเป็นการลดความเร็วของเครื่องยนต์



## การลับคมเครื่องตัด

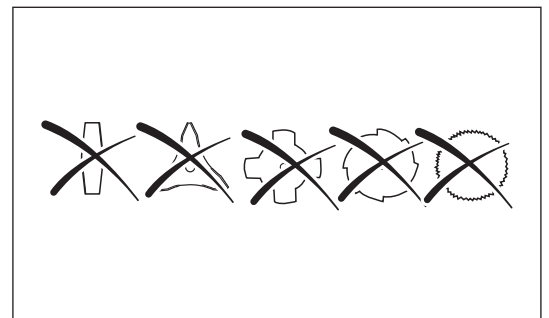


ข้อควรระวัง: ต้องทำการลับคมเครื่องตัดที่กล่าวถึงด้านล่างโดยศูนย์บริการที่ได้รับอนุญาต การลับคมมีดด้วยตนเองอาจทำให้เครื่องตัดไม่สมดุล ซึ่งจะทำให้เกิดการสั่นและอุปกรณ์ชำรุดเสียหายได้

— ใบมีดตัด

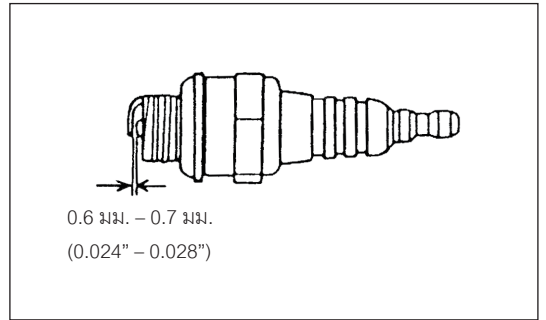
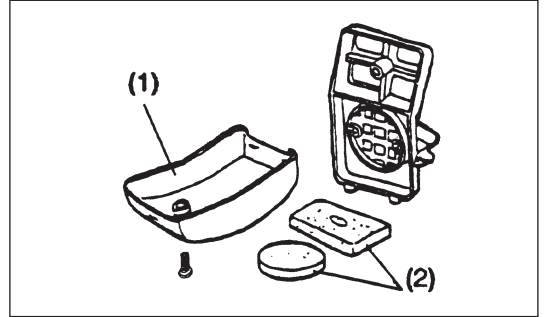
ศูนย์บริการที่ได้รับอนุญาตมีผู้เชี่ยวชาญในการลับคมและปรับสมดุลของเครื่องไว้คอยบริการ

หมายเหตุ: สำหรับการยืดอายุการใช้งานใบมีดตัด (ใบมีดรูปดาว, ใบมีดเอ็ดดี้, ใบเลื่อย) คุณอาจพลิกใบตัดกลับด้านครั้งหนึ่ง จนกว่าส่วนคมทั้งสองด้านจะทื่อ

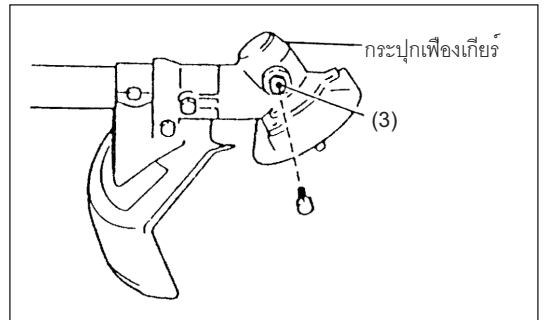


## ตารางเวลาการดูแลรักษาเครื่อง

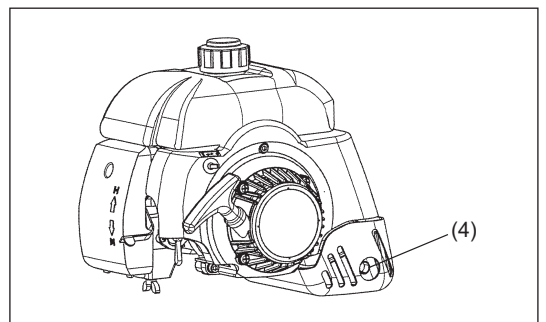
- ก่อนการใช้งาน ให้ตรวจสอบความแน่นหนาของใบมีดตัด หรือหัวตัดในลอนก่อน ตรวจสอบโบลต์และนอต หากจำเป็นให้ขันแน่นใหม่: ทุก 8 ชั่วโมง (ทุกวัน)
- ตรวจสอบการอุดตันของช่องทางเดินอากาศและครีบบนของกระบอกสูบ ทำความสะอาดบริเวณนี้ ในกรณีที่เป็น: ทุก 8 ชั่วโมง (ทุกวัน)
- การทำความสะอาดหม้อกรองอากาศ: ทุก 8 ชั่วโมง (ทุกวัน)
  - ถอดฝาครอบหม้อกรองอากาศ (1) แล้วทำความสะอาดส่วนที่เป็นฟองน้ำ (2) หากมีฝุ่นหรือดินติดกับหม้อกรองอากาศมากเกินไป ให้ทำความสะอาด หม้อกรองอากาศที่อุดตันอาจทำให้การสตาร์ทเครื่องยนต์ทำได้อากหรือทำไม่ได้เลย หรือจะเป็นการเพิ่มความเร็วการหมุนรอบของเครื่องยนต์ให้มากยิ่งขึ้น
  - ติดตั้งฟองน้ำรอบๆ ตะแกรงของตัวเรือนหม้อกรองอากาศ
- ตรวจสอบหัวเทียน: ทุก 8 ชั่วโมง (ทุกวัน)  
ระยะห่างระหว่างหัวเทียนทั้งสองด้านควรรอยู่ที่ 0.6 ถึง 0.7 มม. (0.024" ถึง 0.028") หากระยะห่างกว้างหรือแคบเกินไป ควรปรับให้เหมาะสม หากหัวเทียนมีสิ่งอุดตันหรือมีสิ่งสกปรกปนเปื้อน ให้ทำความสะอาดอย่างละเอียด หรือเปลี่ยนใหม่



- หยุดจาระบีลงในกระปุกเฟืองเกียร์  
หยุดจาระบี (SHELL ALVANIA No. 3 หรือเทียบเท่า) ลงในกระปุกเฟืองเกียร์ทางหยุดจาระบี (3) ทุก 30 ชั่วโมง (สามารถสั่งซื้อจาระบีของแท้ของ MAKITA ผ่านทางตัวแทนจำหน่าย MAKITA ของคุณ)



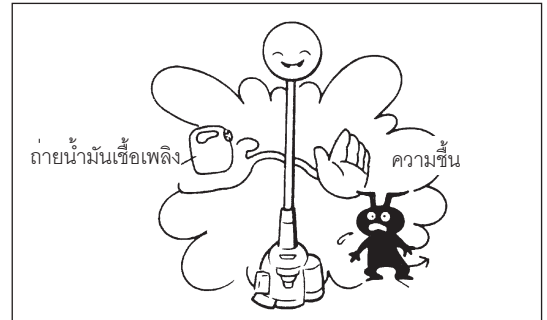
- ทำความสะอาดช่องของหม้อพักไอเสีย: ทุก 50 ชั่วโมง (ทุกเดือน)  
หากช่องไอเสีย (4) ถูกอุดตันด้วยเขม่า ให้กำจัดออกโดยขูดและเคาะเบาๆ ด้วยไขควงหรือเครื่องมือที่คล้ายกัน
- ตรวจสอบตัวกรองน้ำมันเชื้อเพลิง หากอุดตันให้ทำความสะอาดตัวกรอง
- เปลี่ยนสายน้ำมันเชื้อเพลิง: ทุก 200 ชั่วโมง (ทุกปี)
- ตรวจสอบซ่อมเครื่องยนต์ครั้งใหญ่: ทุก 200 ชั่วโมง (ทุกปี)
- เปลี่ยนฝาและปะเก็นใหม่: ทุกครั้งที่เครื่องยนต์ถูกถอดประกอบ



ทั่วไป	ชิ้นส่วนของเครื่องยนต์ สกรูและนอต	ใช้สายตาตรวจสอบความเสียหายและความแน่นหนาของชิ้นส่วน ตรวจสอบสภาพทั่วไปและความปลอดภัย
หลังจากการเติมน้ำมันเชื้อเพลิงแต่ละครั้ง	คันเร่งน้ำมัน กุญแจล็อคเพื่อความปลอดภัย สวิตช์ ON-OFF	ตรวจสอบการทำงาน ตรวจสอบการทำงาน ตรวจสอบการทำงาน
ทุกวัน	ฟองน้ำ (ตัวกรองอากาศ) ของลมระบายความร้อน ใบตัด ความเร็วในอัตรารอบเดินเบา	ทำความสะอาด ทำความสะอาด ตรวจสอบความเสียหายและความคม การตรวจสอบ (เครื่องตัดต้องไม่เคลื่อนไหว)
ทุกสัปดาห์	หัวเทียน ตัวเก็บเสียง	การตรวจสอบ เปลี่ยนใหม่ตามความจำเป็น ตรวจสอบและทำความสะอาดช่องเมื่อจำเป็น
ทุกสามเดือน	หัวชุด (ตัวกรองสายน้ำมันเชื้อเพลิง) ถังน้ำมันเชื้อเพลิง	เปลี่ยนใหม่ ทำความสะอาด
ขั้นตอนการดับเครื่อง	ถังน้ำมันเชื้อเพลิง คาร์บูเรเตอร์	ถ่ายน้ำมันเชื้อเพลิงออกจากถังน้ำมันเชื้อเพลิงจนหมด ทำงานกว่าเครื่องยนต์จะไม่มีน้ำมันเชื้อเพลิงเหลืออยู่

## การจัดเก็บ

- เมื่อเก็บรักษาเครื่องยนต์เป็นระยะเวลานาน ให้ถ่ายน้ำมันเชื้อเพลิงออกจากถังน้ำมันเชื้อเพลิงและคาร์บูเรเตอร์ ดังนี้: ถ่ายน้ำมันเชื้อเพลิงทั้งหมดออกจากถังน้ำมันเชื้อเพลิง นำไปกำจัดอย่างถูกวิธีและสอดคล้องกับกฎหมายท้องถิ่นทั้งหมด
- ถอดหัวเทียนออกและหยอดน้ำมันสองสามหยดลงในหัวเทียน จากนั้น ค่อยๆ ดึงมือจับสำหรับสตาร์ทเพื่อให้น้ำมันเครื่องกระจายไปทั่วภายในเครื่องยนต์ และขึ้นหัวเทียนให้แน่น
- ทำความสะอาดสิ่งสกปรกหรือฝุ่นผงออกจากโคมไฟและด้านนอกของเครื่องยนต์ ใช้ผ้าชุบน้ำมันเครื่องเช็ดและเก็บรักษาเครื่องยนต์ไว้ในสถานที่ที่แห้ง หากเป็นไปได้



## จุดที่มีข้อผิดพลาด

ข้อผิดพลาด	ระบบ	การสังเกต	สาเหตุ
เครื่องยนต์สตาร์ทไม่ติดหรือติดยาก	ระบบจุดระเบิด	ประกายไฟจากการจุดระเบิดปกติ	การจ่ายน้ำมันเชื้อเพลิงหรือระบบการบีบอัดผิดปกติ กลไกมีข้อบกพร่อง
		ไม่มีประกายไฟจากการจุดระเบิด	ใช้งานสวิตช์ I-O การเดินสายไฟมีข้อผิดพลาดหรือมีการลัดวงจร หัวเทียนหรือหัวต่อทำงานผิดปกติ ระบบการจุดระเบิดมีข้อผิดพลาด
	การจ่ายน้ำมันเชื้อเพลิง	น้ำมันเชื้อเพลิงเต็มถัง	ตำแหน่งโซลีนอยด์ไม่ถูกต้อง คาร์บูเรเตอร์มีข้อบกพร่อง สายจ่ายน้ำมันเชื้อเพลิงงอหรือมีการอุดตัน น้ำมันเชื้อเพลิงสกปรก
	การบีบอัด	ไม่มีการบีบอัดเมื่อตั้งขึ้น	ปะเก็นด้านล่างของกระบอกสูบทำงานผิดปกติ ซีลของเพลาลูกเบี้ยวชำรุดเสียหาย กระบอกลูกสูบหรือแหวนลูกสูบทำงานผิดปกติ หรือมีการหุ้มหัวเทียนไม่ถูกต้อง
ความผิดปกติเกี่ยวกับกลไกการทำงาน	สตาร์ทเตอร์ไม่ทำงาน	สปริงของสตาร์ทเตอร์ชำรุดเสียหาย ขึ้นส่วนในเครื่องยนต์ชำรุดเสียหาย	
ปัญหาต่างๆ ของการอุ่นเครื่อง		มีการจุดระเบิดในขณะที่น้ำมันเต็มถัง	สิ่งสกปรกที่คาร์บูเรเตอร์ ต้องถูกทำความสะอาด
เครื่องยนต์สตาร์ทติดแต่หยุดทันที	การจ่ายน้ำมันเชื้อเพลิง	น้ำมันเต็มถัง	การปรับอัตรารอบเดินเบาไม่ถูกต้อง คาร์บูเรเตอร์มีคราบสกปรกติดอยู่ ช่องระบายอากาศของถังน้ำมันเชื้อเพลิงมีข้อบกพร่อง สายจ่ายน้ำมันเชื้อเพลิงมีสิ่งอุดตัน สายไฟหรือสวิตช์ I-O ทำงานผิดปกติ
การทำงานไม่เต็มประสิทธิภาพ	ระบบต่างๆ อาจได้รับผลกระทบในเวลาเดียวกัน	อัตรารอบเดินเบาของเครื่องยนต์มีข้อบกพร่อง	ไส้กรองอากาศมีคราบสกปรกติดอยู่ คาร์บูเรเตอร์มีคราบสกปรกติดอยู่ หม้อพักไอเสียมีสิ่งอุดตัน ท่อไอเสียในกระบอกสูบมีสิ่งอุดตัน



## การแก้ไขปัญหา

ก่อนจะนำเครื่องไปซ่อมแซม ให้ตรวจสอบปัญหาด้วยตัวท่านเองก่อน หากพบสิ่งผิดปกติ ให้ตรวจสอบเครื่องยนต์ตามที่อธิบายไว้ในคู่มือนี้ อย่าตัดแปลงหรือถอดแยกชิ้นส่วนที่แตกต่างจากคำอธิบายนี้ สำหรับการซ่อมแซม โปรดติดต่อศูนย์บริการที่ได้รับอนุญาตหรือตัวแทนจำหน่ายในพื้นที่

สภาพของความผิดปกติ	สาเหตุที่อาจเกิดขึ้น (การทำงานผิดปกติ)	การแก้ไข
เครื่องยนต์สตาร์ทไม่ติด	การดึงเชือกเพื่อสตาร์ทเครื่องมีความเร็วต่ำ	ดึงให้เต็มแรง
	น้ำมันเชื้อเพลิงหมด	เติมน้ำมันเชื้อเพลิง
	ได้กรองน้ำมันเชื้อเพลิงอุดตัน	ทำความสะอาด
	ท่อส่งน้ำมันเชื้อเพลิงชำรุดเสียหาย	ตัดท่อส่งน้ำมันเชื้อเพลิงให้ตรง
	น้ำมันเชื้อเพลิงเสื่อมสภาพ	น้ำมันเชื้อเพลิงที่เสื่อมสภาพจะทำให้การสตาร์ทเครื่องติดยาก เปลี่ยนน้ำมันเชื้อเพลิงใหม่ (ระยะเวลาของการเปลี่ยนที่แนะนำ: 1 เดือน)
	ดูดน้ำมันเชื้อเพลิงเข้ามามากเกินไป	ตั้งค่าคันเร่งน้ำมันจากความเร็วปานกลางเป็นความเร็วสูง และดึงมือจับเพื่อเปิดใช้งานจนกว่าเครื่องยนต์จะสตาร์ทติด <b>เมื่อเครื่องยนต์สตาร์ทติด ใบบัดจะเริ่มหมุน ให้ระมัดระวัง ใบบัดตัวอย่างเต็มที่</b> หากเครื่องยนต์ยังสตาร์ทไม่ติด ให้ถอดหัวเทียนออก เช็ดขั้วไฟฟ้าของหัวเทียนให้แห้ง และประกอบเขาไปใหม่ตามเดิม จากนั้นให้สตาร์ทเครื่องตามทีระบุนี้
	ฝาครอบหัวเทียนหลุดออก	ประกอบเขาไปให้แน่น
	หัวเทียนมีคราบสกปรกติดอยู่	ทำความสะอาด
	ระยะห่างของหัวเทียนผิดปกติ	ปรับระยะห่าง
	ความผิดปกติอื่นๆ ของหัวเทียน	เปลี่ยน
เครื่องยนต์หยุดทำงานเร็วเกินไป ความเร็วของเครื่องยนต์ไม่เพิ่มขึ้น	คาร์บูเรเตอร์ผิดปกติ	นำเครื่องเข้าไปตรวจสอบและบำรุงรักษา
	ไม่สามารถดึงเชือกเพื่อสตาร์ทเครื่องได้	นำเครื่องเข้าไปตรวจสอบและบำรุงรักษา
	ระบบขับเคลื่อนผิดปกติ	นำเครื่องเข้าไปตรวจสอบและบำรุงรักษา
	การอุ่นเครื่องไม่เพียงพอ	ทำการอุ่นเครื่อง
	ตั้งค่าแกนโซคไวท์ "ปิด" แม้ว่าจะมีการอุ่นเครื่องยนต์แล้ว	ตั้งไวท์ "เปิด"
	ได้กรองน้ำมันเชื้อเพลิงอุดตัน	ทำความสะอาด
ใบบัดไม่หมุน	หม้อกรองอากาศมีสิ่งสกปรกหรือสิ่งอุดตัน	ทำความสะอาด
	คาร์บูเรเตอร์ผิดปกติ	นำเครื่องเข้าไปตรวจสอบและบำรุงรักษา
	ระบบขับเคลื่อนผิดปกติ	นำเครื่องเข้าไปตรวจสอบและบำรุงรักษา
หยุดการทำงานของเครื่องยนต์ทันที	คล้ายเกลียวใบบัด-ขันน็อตให้แน่น	ขันให้แน่น
	กึ่งไม่ติดกับใบบัดหรือเครื่องป้องกันการกระจายตัว	นำวัตถุแปลกปลอมออก
	ระบบขับเคลื่อนผิดปกติ	นำเครื่องเข้าไปตรวจสอบและบำรุงรักษา
ตัวเครื่องหลักสันสะเทือนผิดปกติ	ใบบัดชำรุดแตกหัก โค้งงอ หรือสึกหรอ	เปลี่ยนใบบัด
	คล้ายเกลียวใบบัด-ขันน็อตให้แน่น	ขันให้แน่น
	เปลี่ยนส่วนที่นูนของใบบัดและชิ้นส่วนที่ยึดใบบัด	ประกอบเขาไปให้แน่น
	ระบบขับเคลื่อนผิดปกติ	นำเครื่องเข้าไปตรวจสอบและบำรุงรักษา
ใบบัดไม่หยุดทำงานทันที	การหมุนของอัตรารอบเดินเบาอยู่ในระดับสูง	ปรับแต่ง
	สายคันเร่งน้ำมันหลุดออก	ประกอบเขาไปให้แน่น
	ระบบขับเคลื่อนผิดปกติ	นำเครื่องเข้าไปตรวจสอบและบำรุงรักษา
เครื่องยนต์ไม่หยุดทำงาน	ขั้วต่อหลุดออกมา	ประกอบเขาไปให้แน่น
	ระบบไฟฟ้าผิดปกติ	นำเครื่องเข้าไปตรวจสอบและบำรุงรักษา
ให้เดินเครื่องยนต์ในอัตรารอบเดินเบา และตั้งค่าแกนโซคไวท์ที่ปิด		

เมื่อเครื่องยนต์สตาร์ทไม่ติดหลังจากการอุ่นเครื่อง:

หากไม่พบสิ่งผิดปกติของสิ่งที่ตรวจสอบ ให้เปิดคันเร่งน้ำมันไว้ประมาณ 1/3 และสตาร์ทเครื่องยนต์





# Makita Corporation

3-11-8, Sumiyoshi-cho,  
Anjo, Aichi 446-8502 Japan

885147D376

[www.makita.com](http://www.makita.com)

ALA