



VN	VIETNAM
----	---------

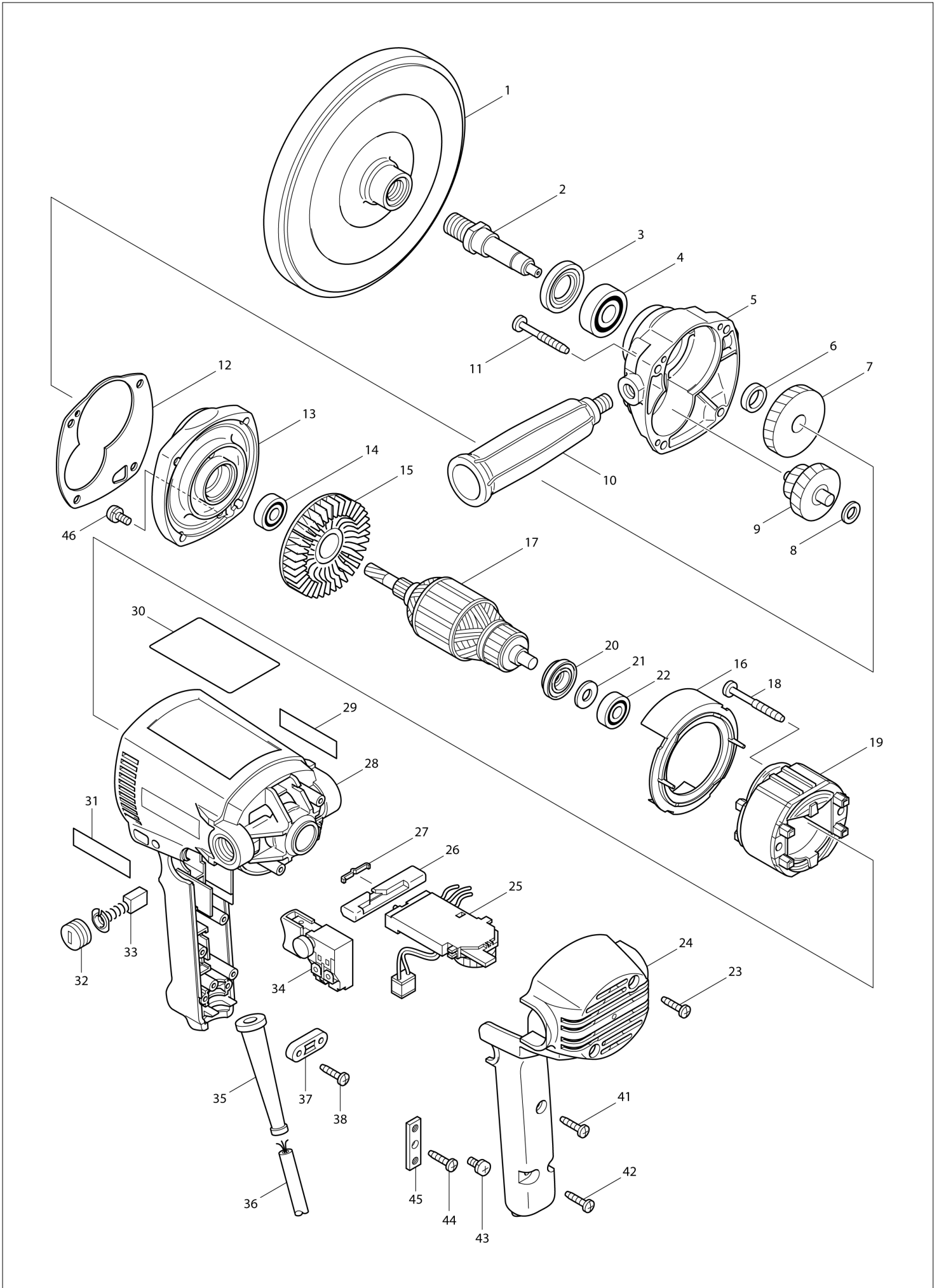
# Diagram / Parts List

**PV7001C**

**POLISHER 180MM**



(VN) PV7001C / POLISHER 180MM



<b>VN</b>	<b>VIETNAM</b>
-----------	----------------

### PV7001C / POLISHER 180MM

Item	Sub	Parts No.	Parts Description	Qty	I/C	E/C No.	Close No.	Remark
001		743012-7	RUBBER PAD 170	1				
002B		324080-5	SPINDLE	1				
003		152690-6	BEARING RETAINER COMPLETE	1				
	C10	213209-7	OIL SEAL 16	1				
004		211129-9	BALL BEARING 6201DDW	1				
005		152691-4	GEAR HOUSING COMPLETE	1			64199	
	C10	210018-5	BALL BEARING 626	1			64199	
005-1		153318-9	GEAR HOUSING COMPLETE	1	<	64199		
	C10	210018-5	BALL BEARING 626	1		64199		
006		257707-1	SLEEVE 12	1				
007		226536-3	HELICAL GEAR 43	1				
008		253215-0	FLAT WASHER 8	1				
009		226141-6	GEAR COMPLETE 21-44	1				
010A		273499-4	GRIP 34	1				
011		266211-9	TAPPING SCREW 5X40	4				
012		442132-1	GASKET	1			64199	
012-1		417837-2	GASKET	1	<	64199		
013		152692-2	GEAR HOUSING COVER COMPLETE	1			64199	
	C10	212016-5	NEEDLE BEARING 609	1			64199	
	C20	214028-4	PLANE BEARING 8	1			64199	
013-1		153319-7	GEAR HOUSING COVER COMPLETE	1	<	64199		
	C10	212016-5	NEEDLE BEARING 609	1		64199		
	C20	214028-4	PLANE BEARING 8	1		64199		
014		210005-4	BALL BEARING 608DDW	1				
015		240020-4	FAN 65	1				
016		413077-0	BAFFLE PLATE	1			78058	
016-1		419721-7	BAFFLE PLATE	1	<	78058		
017A		516433-4	ARMATURE ASS'Y 220-240V	1				
	D10		INC. 14,15,20-22					
018		266056-5	TAPPING SCREW 5X45	2				
019A		594388-3	FIELD ASS'Y 220-240V	1				
	C10	654020-2	RING TERMINAL	1				
	C20	654501-6	CONNECTOR P-1.25	1				
020		681660-3	INSULATION WASHER	1				
021		253139-0	FLAT WASHER 8	1				
022		210005-4	BALL BEARING 608DDW	1				
023		265995-6	TAPPING SCREW 4X18	2				
024		417450-6	HANDLE COVER	1				
025A		631427-9	CONTROLLER	1				
026		417449-1	LEVER	1				
027		232201-4	LEAF SPRING	1				
028		183300-4	MOTOR HOUSING SET	1				
	D10		INC. 29,31					
029		819063-3	MAKITA LABEL	1				
030		852808-6	NAME PLATE PV7001C	1				
031		819063-3	MAKITA LABEL	1				
032		643750-0	BRUSH HOLDER CAP 7-11	2			B4206	
032-1		643515-0	HOLDER CAP 7-11	2	O	B4206		
033		A-81664	CARBON BRUSH CB-303A	1			83185	
033-1		B-80151	CARBON BRUSH SET CB-303A	1	O	83185	85070	
033-2		B-80379	CARBON BRUSH SET CB-303A	1	<	85070		
034A		651284-9	SWITCH SGEL115CDY-6	1				
035		682566-8	CORD GUARD 10	1				
036C		691134-6	POWER SUPPLY CORD 0.75-3-2.5	1				
037B		687053-2	STRAIN RELIEF	1				
038		265995-6	TAPPING SCREW 4X18	2				
041		265995-6	TAPPING SCREW 4X18	1				
042		265995-6	TAPPING SCREW 4X18	2				
043		652014-1	PAN HEAD SCREW M4X8	2				
044		265995-6	TAPPING SCREW 4X18	1				
045		654571-5	TERMINAL BLOCK	1				
046		652014-1	PAN HEAD SCREW M4X8	1				
047		417793-6	COVER	1		63896		
048		256157-7	PIN 3	1		64199		
A01		781008-0	WRENCH 17	1				

Interchange  
O : Yes  
X : No  
< : the new part can be substituted for the current.  
> : the current part can be substituted for the new.  
S : Interchangeable as a set.

