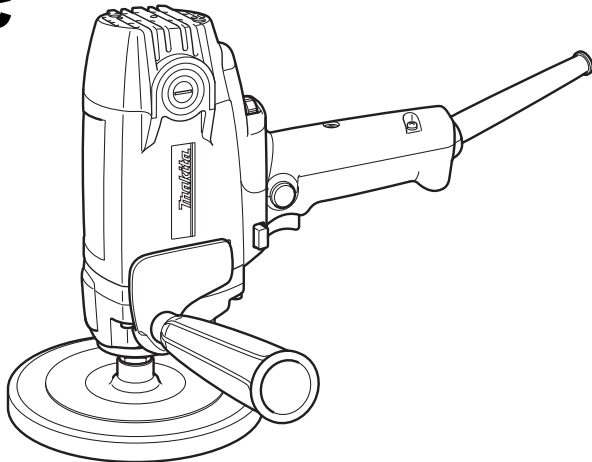
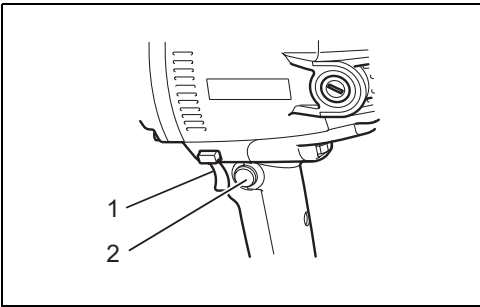




<b>GB</b>	Polisher/Electronic Polisher	Instruction manual
<b>ID</b>	Mesin Poles/Mesin Poles Elektronik	Petunjuk penggunaan
<b>VI</b>	Máy Đánh Bóng Cầm Tay Hoạt Động Bằng Động Cơ Điện	Tài liệu hướng dẫn
<b>TH</b>	เครื่องขัด/เครื่องขัดไฟฟ้า	คู่มือการใช้งาน

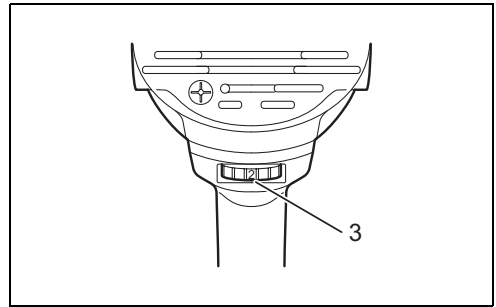
**PV7001**  
**PV7001C**





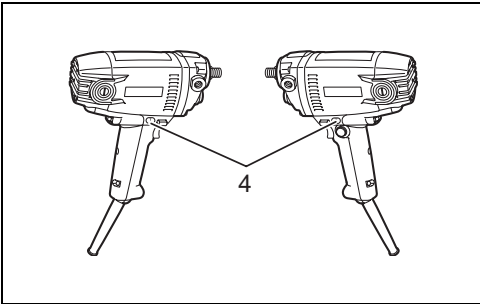
1

003407



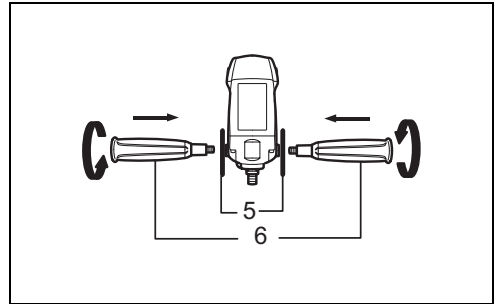
2

003408



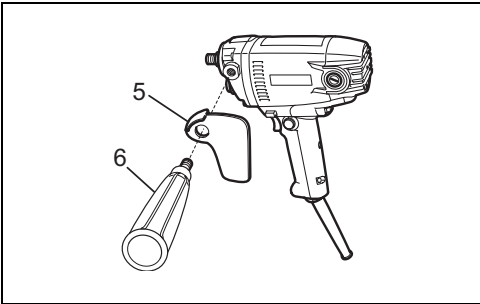
3

003444



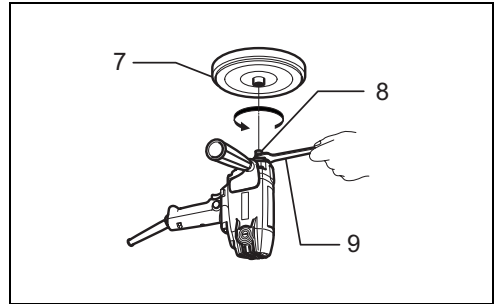
4

004419



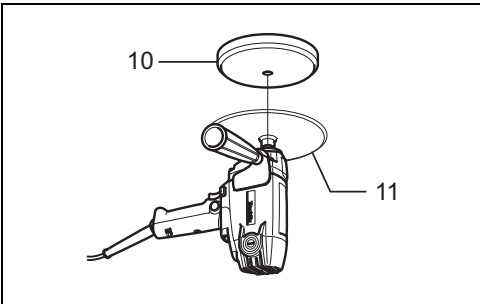
5

004420



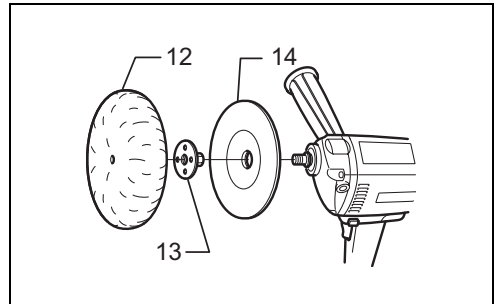
6

004421



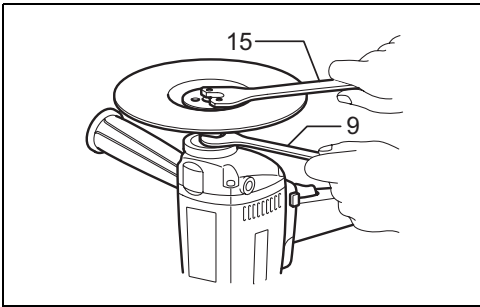
7

004422



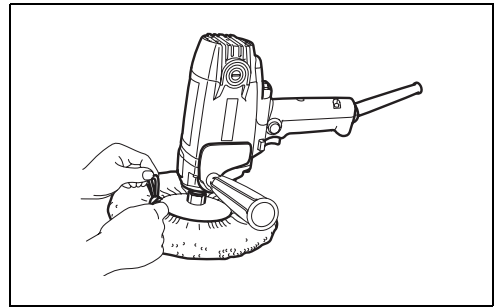
8

004424



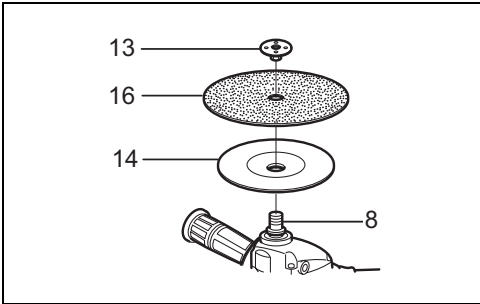
9

004425



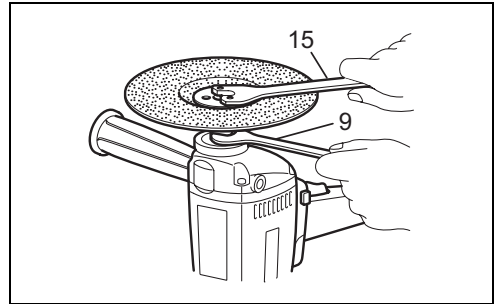
10

004426



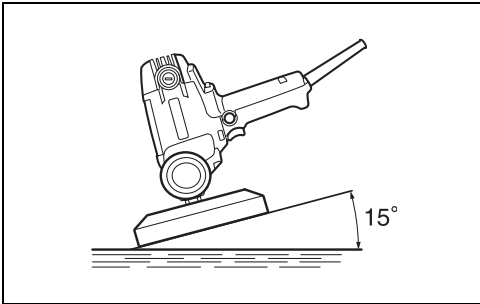
11

003414



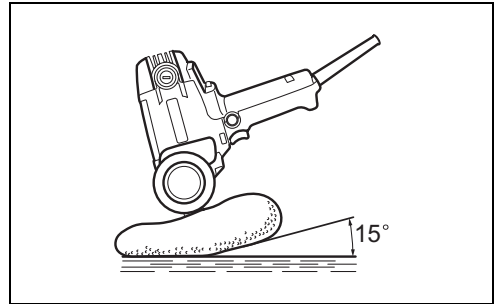
12

004427



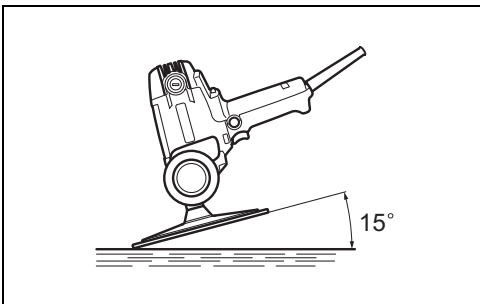
13

003479



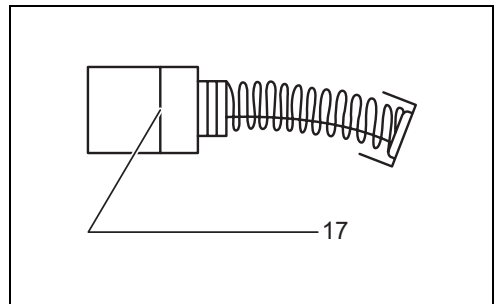
14

003480



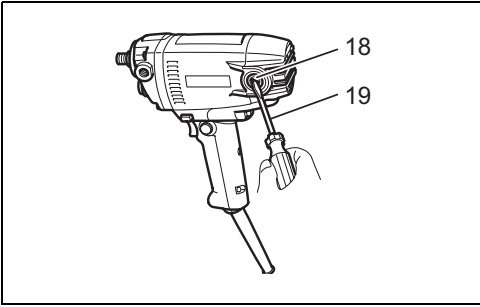
15

003421



16

001145



17

003423

# ENGLISH

## Explanation of general view

- |                                  |                 |                      |
|----------------------------------|-----------------|----------------------|
| 1. Switch trigger                | 8. Spindle      | 15. Lock nut wrench  |
| 2. Lock button                   | 9. Wrench       | 16. Abrasive disc    |
| 3. Speed adjusting dial          | 10. Sponge pad  | 17. Limit mark       |
| 4. High-Low speed setting button | 11. Pad         | 18. Brush holder cap |
| 5. Cover                         | 12. Wool bonnet | 19. Screwdriver      |
| 6. Side grip                     | 13. Lock nut    |                      |
| 7. Backing pad                   | 14. Rubber pad  |                      |

## SPECIFICATIONS

Model		PV7001	PV7001C
Max capacities	Sponge pad/ Wool bonnet	180 mm	180 mm
	Abrasive disc	180 mm	180 mm
No load speed (min <sup>-1</sup> )		1,700	600 - 2,000
Overall length		210 mm	210 mm
Net weight		2.0 kg	2.0 kg

- Due to our continuing programme of research and development, the specifications herein are subject to change without notice.
- Note: Specifications may differ from country to country.

## Symbols

END101-1

The following show the symbols used for the tool. Be sure that you understand their meaning before use.



..... Read instruction manual.



..... Wear safety glasses.

## Intended use

The tool is intended for polishing, smoothing before painting, finishing surfaces, and removing rust and paint.

## Power supply

The tool should be connected only to a power supply of the same voltage as indicated on the nameplate, and can only be operated on single-phase AC supply. This tool should be grounded while in use to protect the operator from electric shock. Use only three-wire extension cords which have three-prong grounding-type plugs and three-pole receptacles which accept the tool's plug.

ENA001-2

## SAFETY INSTRUCTIONS

**WARNING! When using electric tools, basic safety precautions, including the following, should always be followed to reduce the risk of fire, electric shock and personal injury. Read all these instructions before operating this product and save these instructions.**

### For safe operations:

#### 1. **Keep work area clean.**

Cluttered areas and benches invite injuries.

#### 2. **Consider work area environment.**

Do not expose power tools to rain. Do not use power tools in damp or wet locations. Keep work area well lit. Do not use power tools where there is risk to cause fire or explosion.

#### 3. **Guard against electric shock.**

Avoid body contact with earthed or grounded surfaces (e.g. pipes, radiators, ranges, refrigerators).

#### 4. **Keep children away.**

Do not let visitors touch the tool or extension cord. All visitors should be kept away from work area.

#### 5. **Store idle tools.**

When not in use, tools should be stored in a dry, high or locked up place, out of reach of children.

#### 6. **Do not force the tool.**

It will do the job better and safer at the rate for which it was intended.

#### 7. **Use the right tool.**

Do not force small tools or attachments to do the job of a heavy duty tool. Do not use tools for purposes not intended; for example, do not use circular saws to cut tree limbs or logs.

#### 8. **Dress properly.**

Do not wear loose clothing or jewellery, they can be caught in moving parts. Rubber gloves and non-skid footwear are recommended when working outdoors. Wear protecting hair covering to contain long hair.

#### 9. **Use safety glasses and hearing protection.**

Also use face or dust mask if the cutting operation is dusty.

#### 10. **Connect dust extraction equipment.**

If devices are provided for the connection of dust extraction and collection facilities ensure these are connected and properly used.

11. **Do not abuse the cord.**  
Never carry the tool by the cord or yank it to disconnect it from the socket. Keep the cord away from heat, oil and sharp edges.
12. **Secure work.**  
Use clamps or a vice to hold the work. It is safer than using your hand and it frees both hands to operate the tool.
13. **Do not overreach.**  
Keep proper footing and balance at all times.
14. **Maintain tools with care.**  
Keep cutting tools sharp and clean for better and safer performance. Follow instructions for lubrication and changing accessories. Inspect tool cord periodically and if damaged have it repaired by an authorized service facility. Inspect extension cords periodically and replace, if damaged. Keep handles dry, clean and free from oil and grease.
15. **Disconnect tools.**  
When not in use, before servicing and when changing accessories such as blades, bits and cutters.
16. **Remove adjusting keys and wrenches.**  
Form the habit of checking to see that keys and adjusting wrenches are removed from the tool before turning it on.
17. **Avoid unintentional starting.**  
Do not carry a plugged-in tool with a finger on the switch. Ensure switch is off when plugging in.
18. **Use outdoor extension leads.**  
When tool is used outdoors, use only extension cords intended for outdoor use.
19. **Stay alert.**  
Watch what you are doing. Use common sense. Do not operate tool when you are tired.
20. **Check damaged parts.**  
Before further use of the tool, a guard or other part that is damaged should be carefully checked to determine that it will operate properly and perform its intended function. Check for alignment of moving parts, free running of moving parts, breakage of parts, mounting and any other conditions that may affect its operation. A guard or other part that is damaged should be properly repaired or replaced by an authorized service center unless otherwise indicated in this instruction manual. Have defective switches replaced by an authorized service facility. Do not use the tool if the switch does not turn it on and off.
21. **Warning.**  
The use of any accessory or attachment, other than those recommended in this instruction manual or the catalog, may present a risk of personal injury.
22. **Have your tool repaired by a qualified person.**  
This electric tool is in accordance with the relevant safety requirements. Repairs should only be carried out by qualified persons using original spare parts, otherwise this may result in considerable danger to the user.

## ADDITIONAL SAFETY RULES

1. **Always use eye and ear protection. Other personal protective equipment such as dust mask, gloves, helmet and apron should be worn.**
2. **Always be sure that the tool is switched off and unplugged before carrying out any work on the tool.**
3. **Accessories must be rated for at least the speed recommended on the tool warning label.** Wheels and other accessories running over rated speed can fly apart and cause injury.
4. **Check the backing pad carefully for cracks, damage or deformity before operation. Replace cracked, damaged or deformed pad immediately.**
5. **Check that the workpiece is properly supported.**
6. **Hold the tool firmly.**
7. **Keep hands away from rotating parts.**
8. **Make sure the abrasive disc or wool bonnet is not contacting the workpiece before the switch is turned on.**
9. **When sanding metal surfaces, watch out for flying sparks. Hold the tool so that sparks fly away from you and other persons or flammable materials.**
10. **Do not leave the tool running. Operate the tool only when hand-held.**
11. **Pay attention that the wheel continues to rotate after the tool is switched off.**
12. **Do not touch the workpiece immediately after operation; it may be extremely hot and could burn your skin.**
13. **If working place is extremely hot and humid, or badly polluted by conductive dust, use a short-circuit breaker (30 mA) to assure operator safety.**
14. **Do not use the tool on any materials containing asbestos.**
15. **Do not use water or grinding lubricant.**
16. **Ventilate your work area adequately when you perform sanding operations.**
17. **Some material contains chemicals which may be toxic. Take caution to prevent dust inhalation and skin contact. Follow material supplier safety data.**
18. **Always use the correct dust mask/respirator for the material and application you are working with when sanding.**
19. **Ensure that ventilation openings are kept clear when working in dusty conditions. If it should become necessary to clear dust, first disconnect the tool from the mains supply ( use non metallic objects ) and avoid damaging internal parts.**
20. **PROPER GROUNDING.** This tool should be grounding while in use to protect the operator from electric shock.
21. **EXTENSION CORDS.** Use only three-wire extension cords which have three-prong grounding-type plugs and three-pole receptacles which accept the tool's plug. Replace or repair damaged or worn cord immediately.

**SAVE THESE INSTRUCTIONS.**

## FUNCTIONAL DESCRIPTION

### ⚠ CAUTION:

- Always be sure that the tool is switched off and unplugged before adjusting or checking function on the tool.

### Switch action (Fig. 1)

### ⚠ CAUTION:

- Before plugging in the tool, always check to see that the switch trigger actuates properly and returns to the "OFF" position when released.
- To start the tool, simply pull the switch trigger. Release the switch trigger to stop.
- For continuous operation, pull the switch trigger and then push in the lock button.
- To stop the tool from the locked position, pull the switch trigger fully, then release it.

### Speed adjusting dial (Fig. 2)

#### For PV7001C only

The tool speed can be changed by turning the speed adjusting dial to a given number setting from 1 to 5. Higher speed is obtained when the dial is turned in the direction of number 5. And lower speed is obtained when it is turned in the direction of number 1. Refer to the table for the relationship between the number settings on the dial and the approximate tool speed.

Number	min <sup>-1</sup> (RPM)
1 - 2	600 - 800
2 - 3	800 - 1,300
3 - 4	1,300 - 1,800
4 - 5	1,800 - 2,000

C00040

### ⚠ CAUTION:

- If the tool is operated continuously at low speeds for a long time, the motor will get overloaded, resulting in tool malfunction.
  - The speed adjusting dial can be turned only as far as 5 and back to 1. Do not force it past 5 or 1, or the speed adjusting function may no longer work.
- The tools equipped with electronic function are easy to operate because of the following features.
- **Electronic constant speed control**  
Possible to get fine finish, because the rotating speed is kept constant even under the loaded condition.
  - **Soft start feature**  
Soft start because of suppressed starting shock.

### High-Low speed setting button (Fig. 3)

#### For PV7001C only

The tool speed can be changed instantly while the tool is running. Depress the "I" position for lowest speed and depress "II" position for a given number setting. The tool speed cannot be changed when the button is in "I" position, even if you turn the speed adjusting dial. When you turn the speed adjusting dial, always be sure that the button is depressed in "II" position.

## ASSEMBLY

### ⚠ CAUTION:

- Always be sure that the tool is switched off and unplugged before carrying out any work on the tool.

### Installing side grip (auxiliary handle) & cover (Fig. 4 & Fig. 5)

### ⚠ CAUTION:

- Always be sure that the side grip is installed securely before operation.

Install the cover, then screw the side grip on the tool securely. The side grip and the cover can be installed on either side of the tool.

### Installing or removing backing pad (Fig. 6)

Hold the spindle with the wrench so that it cannot revolve. Then screw the pad onto the spindle all the way. (The pad can be used to install the optional sponge pad.) To remove the pad, follow the installation procedure in reverse.

### Installing or removing sponge pad (Fig. 7)

To install the sponge pad, first remove all dirt or foreign matter from the pad. Install the sponge pad to the pad. To remove the pad, pull it off from the pad slowly.

### Installing or removing the wool bonnet

Mount the rubber pad onto the spindle. Screw the lock nut onto the spindle. (Fig. 8)

To tighten the lock nut, hold the spindle with the wrench so that it cannot revolve, then use the lock nut wrench and securely tighten clockwise. (Fig. 9)

Fit the wool bonnet completely over the rubber pad and pull the string tight. Tie a bow knot and tuck the knot and any loose strings between the wool bonnet and the rubber pad. (Fig. 10)

To remove the wool bonnet, follow the installation procedure in reverse.

### Installing or removing abrasive disc

#### NOTE:

- Use sander accessories specified in this manual. These must be purchased separately.

Mount the rubber pad onto the spindle. Fit the abrasive disc on the rubber pad and screw the lock nut onto the spindle. (Fig. 11)

To tighten the lock nut, hold the spindle with the wrench so that it cannot revolve, then use the lock nut wrench and securely tighten clockwise. (Fig. 12)

To remove the disc, follow the installation procedure in reverse.

## OPERATION

### Polishing operation by sponge pad (Fig. 13)

### ⚠ CAUTION:

- Always wear safety glasses or a face shield during operation.

In general, keep the sponge pad at an angle of about 15 degrees to the workpiece surface.

## Polishing operation by wool bonnet (Fig. 14)

### CAUTION:

- Always wear safety glasses or a face shield during operation.

Hold the tool firmly. Turn the tool on and then apply the wool bonnet to the workpiece.

In general, keep the wool bonnet at an angle of about 15 degrees to the workpiece surface.

Apply slight pressure only. Excessive pressure will result in poor performance and premature wear to wool bonnet.

## Sanding operation (Fig. 15)

### CAUTION:

- Always wear safety goggles or a face shield during operation.
- Never switch on the tool when it is in contact with the workpiece, it may cause an injury to operator.
- Never run the tool without the abrasive disc. You may seriously damage the pad.

Hold the tool firmly. Turn the tool on and then apply the abrasive disc to the workpiece.

In general, keep the abrasive disc at an angle of about 15 degrees to the workpiece surface.

Apply slight pressure only. Excessive pressure will result in poor performance and premature wear to abrasive disc.

## MAINTENANCE

### CAUTION:

- Always be sure that the tool is switched off and unplugged before attempting to perform inspection or maintenance.

## Replacing carbon brushes

Remove and check the carbon brushes regularly. Replace when they wear down to the limit mark. Keep the carbon brushes clean and free to slip in the holders. Both carbon brushes should be replaced at the same time. Use only identical carbon brushes. (Fig. 16)

Use a screwdriver to remove the brush holder caps. Take out the worn carbon brushes, insert the new ones and secure the brush holder caps. (Fig. 17)

To maintain product SAFETY and RELIABILITY, repairs, any other maintenance or adjustment should be performed by Makita Authorized Service Centers, always using Makita replacement parts.

## OPTIONAL ACCESSORIES

### CAUTION:

- These accessories or attachments are recommended for use with your Makita tool specified in this manual. The use of any other accessories or attachments might present a risk of injury to persons. Only use accessory or attachment for its stated purpose.

If you need any assistance for more details regarding these accessories, ask your local Makita service center.

- Sponge pad (Hook & loop)
- Backing pad 165 (Hook & loop)

- Abrasive discs
- Wool bonnet 180
- Rubber pad 170
- Lock nut 48
- Lock nut wrench 28
- Wrench 17
- Side grip (auxiliary handle)

### NOTE:

- Some items in the list may be included in the tool package as standard accessories. They may differ from country to country.



**Penjelasan tampilan keseluruhan**

- |   |                      |                             |
|---|----------------------|-----------------------------|
| 1. Saklar pemacu                          | 7. Bantalan belakang | 14. Bantalan karet          |
| 2. Tombol kunci                           | 8. Spindel           | 15. Kunci pas baut pengunci |
| 3. Saklar penyetel kecepatan              | 9. Kunci pas         | 16. Cakram abrasif          |
| 4. Tombol setelan kecepatan Tinggi-Rendah | 10. Bantalan spons   | 17. Tanda batas             |
| 5. Tutup                                  | 11. Bantalan         | 18. Tutup tempat sikat      |
| 6. Gagang sisi                            | 12. Bonet wol        | 19. Obeng                   |
|   | 13. Mur kunci        |                             |

**SPEKIFIKASI**

Model		PV7001	PV7001C
Kapasitas maks.	Bantalan spons/ Bonet wol	180 mm	180 mm
	Cakram abrasif	180 mm	180 mm
Kecepatan tanpa beban (min <sup>-1</sup> )		1.700	600 - 2.000
Panjang keseluruhan		210 mm	210 mm
Berat bersih		2,0 kg	2,0 kg

- Karena kesinambungan program penelitian dan pengembangan kami, spesifikasi yang disebutkan di sini dapat berubah tanpa pemberitahuan.
- Catatan: Spesifikasi dapat berbeda dari satu negara ke negara lainnya.

END101-1

**Simbol**

Berikut ini adalah simbol-simbol yang digunakan pada mesin ini. Pastikan Anda mengerti makna masing-masing simbol sebelum menggunakan alat.



..... Baca petunjuk penggunaan.



..... Gunakan kaca mata pengaman.

**Penggunaan**

Mesin ini digunakan untuk memoles, melicinkan sebelum pengecatan, menghaluskan permukaan, dan menghilangkan karat dan cat.

**Pasokan daya**

Mesin harus terhubung dengan pasokan daya listrik yang bervoltase sama dengan yang tertera pada pelat nama, dan hanya dapat dijalankan dengan listrik AC fase tunggal. Mesin ini harus terarde (dibumikan) ketika digunakan untuk melindungi operator dari sengatan listrik. Gunakan hanya kabel ekstensi tiga-kawat yang mempunyai steker tipe pengardean tiga-kaki dan stop kontak tiga-kutub yang bisa dimasuki steker mesin.

ENA001-2

**PETUNJUK KESELAMATAN**

**PERINGATAN! Saat menggunakan mesin-mesin listrik, tindakan kewaspadaan keselamatan dasar yang meliputi hal-hal berikut ini, harus selalu dipatuhi untuk mengurangi risiko kebakaran, sengatan listrik dan cedera. Baca semua petunjuk ini sebelum menggunakan mesin dan simpanlah petunjuk ini.**

**Agar aman penggunaannya:**

1. **Jaga agar tempat kerja selalu bersih.**  
Tempat dan meja kerja yang berantakan mengundang kecelakaan.
2. **Perhatikan lingkungan tempat kerja.**  
Jangan membiarkan mesin listrik keuhujan. Jangan gunakan mesin listrik di lokasi yang lembap dan basah. Jaga tempat kerja agar berpenerangan cukup. Jangan gunakan mesin listrik bila terdapat risiko penyebab kebakaran dan terjadinya ledakan.
3. **Pelindung terhadap sengatan listrik.**  
Hindari sentuhan tubuh dengan permukaan berarde atau yang dibumikan (misalnya pipa, radiator, kompor, kulkas).
4. **Jauhkan anak-anak dari tempat kerja.**  
Jangan biarkan orang yang berkunjung menyentuh mesin atau kabel ekstensi. Semua orang yang berkunjung harus dijauhkan dari tempat kerja.
5. **Simpan mesin saat tidak digunakan.**  
Saat tidak digunakan, mesin harus disimpan di tempat yang kering, tinggi atau terkunci, jauh dari jangkauan anak-anak.
6. **Jangan memaksa mesin listrik.**  
Mesin akan lebih baik dan lebih aman digunakan jika sesuai tingkat kegunaannya.
7. **Gunakan mesin yang tepat.**  
Jangan memaksa mesin atau perangkat tambahan yang kecil untuk digunakan dalam pekerjaan yang berat. Jangan gunakan mesin untuk tujuan yang tidak sesuai kegunaannya; sebagai contoh: menggunakan gergaji sirkular untuk memotong cabang atau batang pohon.

8. **Kenakan pakaian dengan baik.**  
Jangan memakai pakaian yang kedodoran atau perhiasan, karena bisa terbawa oleh bagian yang berputar. Dainjurkan untuk menggunakan sarung tangan karet atau sepatu anti-selip saat bekerja di luar ruangan. Kenakan penutup rambut untuk melindungi rambut yang panjang.
9. **Gunakan kaca mata pengaman dan pelindung telinga.**  
Selalu kenakan pelindung muka atau masker debu jika operasi pemotongannya berdebu.
10. **Hubungkan peralatan pengumpul debu.**  
Jika tersedia fasilitas untuk menghisap dan mengumpulkan debu, pastikan fasilitas tersebut terhubung ke listrik dan digunakan dengan baik.
11. **Jangan menyalahgunakan kabel.**  
Jangan sekali-kali membawa mesin dengan memegang kabelnya atau menarik kabel untuk melepaskannya dari soket. Jauhkan kabel dari panas, minyak dan tepian tajam.
12. **Bekerja yang aman.**  
Gunakan penjepit atau ragum untuk menahan benda kerja. Hal tersebut lebih aman dibanding menggunakan tangan Anda dan membebaskan kedua tangan untuk menjalankan mesin.
13. **Jangan meraih terlalu jauh.**  
Jagalah pijakan dan keseimbangan sepanjang waktu.
14. **Rawatlah mesin dengan baik.**  
Jaga agar mesin pemotong tetap tajam dan bersih untuk mendapatkan kinerja yang lebih baik dan aman. Patuhi petunjuk pelumasan dan penggantian aksesoris. Periksa kabel mesin secara berkala dan jika rusak perbaiki oleh fasilitas layanan resmi. Periksa kabel ekstensi secara berkala dan ganti jika rusak. Jagalah agar gagang kering, bersih, dan bebas dari minyak dan gemuk.
15. **Cabut steker mesin.**  
Saat tidak digunakan, sebelum memperbaiki atau saat mengganti aksesoris seperti mata pisau, mata mesin dan alat potong.
16. **Lepas kunci penyetel dan kunci pas.**  
Biasakan untuk memeriksa apakah kunci dan kunci pas penyetel dilepas dari mesin sebelum menyalakannya.
17. **Hindari penyalaaan yang tidak disengaja.**  
Jangan membawa mesin dengan posisi jari berada pada saklarnya. Pastikan saklar dalam kondisi mati saat memasukkan steker.
18. **Gunakan kabel ekstensi untuk luar ruangan.**  
Saat mesin digunakan di luar ruangan, gunakan hanya kabel ekstensi untuk penggunaan luar ruangan.
19. **Jaga kewaspadaan.**  
Perhatikan pekerjaan Anda. Gunakan akal sehat. Jangan menggunakan mesin saat Anda lelah.
20. **Periksa bagian yang rusak.**  
Sebelum terus menggunakan mesin, pelindung dan bagian lainnya yang rusak harus diperiksa secara cermat untuk menentukan apakah mesin akan bekerja dengan baik dan berfungsi sesuai yang diharapkan. Periksa kesejajaran bagian yang berputar, bebasnya gerakan bagian yang berputar, kerusakan komponen, kondisi pemasangan dan lainnya yang bisa

mempengaruhi kerja mesin. Pelindung atau bagian lain yang rusak harus diperbaiki dengan tepat atau diganti oleh pusat layanan resmi kecuali jika ditunjukkan dalam petunjuk penggunaan ini. Ganti saklar-saklar yang rusak oleh fasilitas layanan resmi. Jangan gunakan mesin jika saklar tidak dapat menyalakan dan mematikan mesin.

21. **Peringatan.**  
Penggunaan aksesoris atau perangkat tambahan apapun, selain yang dianjurkan dalam petunjuk penggunaan ini atau dalam katalog, bisa menimbulkan risiko cedera.
22. **Perbaiki mesin Anda oleh orang yang berkualifikasi.**  
Mesin listrik ini telah sesuai persyaratan keselamatan yang terkait. Perbaikan harus dilakukan hanya oleh orang yang berkualifikasi dengan menggunakan suku cadang asli, bila tidak, akan mengakibatkan bahaya yang cukup besar bagi pengguna.

ENB072-1

## ATURAN KESELAMATAN TAMBAHAN

1. **Selalu gunakan pelindung mata dan telinga. Alat pelindung diri lainnya seperti masker debu, sarung tangan, helm dan apron harus dikenakan.**
2. **Selalu pastikan bahwa mesin dalam keadaan mati dan steker tercabut sebelum melakukan pekerjaan apapun pada mesin.**
3. **Aksesoris harus memiliki kecepatan terukur setidaknya sama dengan kecepatan yang dianjurkan pada label peringatan mesin. Roda dan aksesoris lain yang bekerja melebihi kecepatan turnukurnya bisa saja terlempar dan menyebabkan cedera.**
4. **Periksa bantalan belakang secara seksama akan adanya keretakan, kerusakan atau perubahan bentuk sebelum penggunaan. Segera ganti bantalan yang retak, rusak atau berubah bentuk.**
5. **Periksa apakah benda kerja telah ditahan dengan baik.**
6. **Pegang mesin kuat-kuat.**
7. **Jauhkan tangan dari bagian yang berputar.**
8. **Pastikan bahwa cakram abrasif atau bonet wol tidak menyentuh benda kerja sebelum saklar dinyalakan.**
9. **Saat mengampelas permukaan logam, berhati-hatilah terhadap bunga api yang beterbangan. Pegang mesin sedemikian rupa sehingga bunga api terbang menjauhi Anda dan orang lain atau bahan yang mudah terbakar.**
10. **Jangan tinggalkan mesin dalam keadaan hidup. Jalankan mesin hanya ketika digenggam tangan.**
11. **Perhatikan bahwa roda terus berputar setelah mesin dimatikan.**
12. **Jangan menyentuh benda kerja segera setelah pengoperasian; suhunya mungkin masih sangat panas dan dapat membakar kulit Anda.**
13. **Jika tempat kerja sangat panas dan lembap, sangat kotor oleh debu konduktif, gunakan pemutus daya (30 mA) untuk menjamin keselamatan operator.**

14. Jangan menggunakan mesin pada bahan yang mengandung asbestos.
15. Jangan menggunakan air atau cairan pendingin untuk menggerinda.
16. Beri ruang udara secukupnya ketika Anda melakukan pekerjaan pengampelasan.
17. Bahan tertentu mengandung zat kimia yang mungkin beracun. Hindari menghirup debu dan persentuhan dengan kulit. Ikuti data keselamatan bahan dari pemasok.
18. Selalu gunakan masker debu/alat pernafasan yang tepat sesuai bahan dan pekerjaan yang sedang Anda kerjakan saat mengampelas.
19. Pastikan bahwa bukaan ventilasi tidak terhalang saat bekerja di tempat yang berdebu. Jika perlu untuk membuang debu, pertama-tama cabut steker mesin dari suplai daya listrik (gunakan benda bukan logam) dan jangan sampai merusak komponen dalam.
20. **PENGARDEAN YANG TEPAT** Mesin ini harus terarde (dibumikan) ketika digunakan untuk melindungi operator dari sengatan listrik.
21. **KABEL EKSTENSI.** Gunakan hanya kabel ekstensi tiga-kawat yang mempunyai steker tipe pengardean tiga-kaki dan stop kontak tiga-kutub yang bisa dimasuki steker mesin. Segera ganti atau perbaiki kabel yang rusak atau yang aus.

Angka	min <sup>-1</sup> (RPM)
1 - 2	600 - 800
2 - 3	800 - 1.300
3 - 4	1.300 - 1.800
4 - 5	1.800 - 2.000

C00040

#### ⚠ PERHATIAN:

- Jika mesin dijalankan secara terus-menerus dengan kecepatan rendah dalam waktu yang lama, motor akan mengalami kelebihan beban, yang mengakibatkan kerusakan mesin.
  - Saklar penyetel kecepatan dapat diputar hanya sampai 5 dan kembali ke 1. Jangan dipaksa melewati 5 atau 1, atau penyetel kecepatan bisa tidak berfungsi lagi.
- Mesin yang dilengkapi dengan fungsi elektronik mudah dioperasikan karena memiliki fitur-fitur berikut ini.
- **Kontrol kecepatan konstan elektronik**  
Memungkinkan untuk memperoleh pengerjaan akhir yang halus, karena kecepatan putaran dipertahankan agar konstan bahkan dalam kondisi di beri beban.
  - **Fitur awal pengerjaan yang lembut**  
Awal pengerjaan yang lembut karena adanya peredaman kejutan awal.

## Tombol setelan kecepatan Tinggi-Rendah (Gb. 3)

### Hanya untuk PV7001C

Kecepatan mesin dapat diubah dengan cepat ketika mesin sedang bekerja. Tekan posisi "I" untuk kecepatan terendah dan tekan posisi "II" untuk setelan angka yang tersedia.

Kecepatan mesin tidak dapat diubah saat tombol dalam posisi "I", meskipun Anda memutar saklar penyetel kecepatan. Saat Anda memutar saklar penyetel kecepatan, selalu pastikan bahwa tombol ditekan pada posisi "II".

## PERAKITAN

#### ⚠ PERHATIAN:

- Selalu pastikan bahwa mesin dalam keadaan mati dan steker tercabut sebelum melakukan pekerjaan apapun pada mesin.

## Cara memasang gagang sisi (pegangan tambahan) & tutup (Gb. 4 & Gb. 5)

#### ⚠ PERHATIAN:

- Selalu pastikan bahwa gagang sisi terpasang dengan kuat sebelum penggunaan.

Pasang tutup, kemudian pasang gagang sisi pada mesin menggunakan sekrup dengan kuat. Gagang sisi dan tutupnya dapat dipasang pada salahsatu sisi mesin.

## Memasang atau melepas bantalan belakang (Gb. 6)

Tahan spindel menggunakan kunci pas sehingga tidak dapat berputar. Kemudian pasang bantalan pada spindel sepenuhnya. (Bantalan dapat digunakan untuk memasang pilihan bantalan spons.)

## SIMPAN PETUNJUK INI.

## DESKRIPSI FUNGSI

#### ⚠ PERHATIAN:

- Selalu pastikan bahwa mesin dalam keadaan mati dan steker tercabut sebelum menyetel atau memeriksa kerja mesin.

## Kerja saklar (Gb. 1)

#### ⚠ PERHATIAN:

- Sebelum memasukkan steker, selalu periksa apakah picu saklar berfungsi dengan baik dan kembali ke posisi "OFF" saat dilepas.

Untuk menjalankan mesin, cukup tarik picu saklarnya. Lepaskan picu saklar untuk berhenti.

Untuk penggunaan terus menerus, tarik picu saklar lalu tekan tombol kunci.

Untuk membebaskan posisi terkunci, tarik picu saklar sampai penuh, lalu lepaskan.

## Saklar penyetel kecepatan (Gb. 2)

### Hanya untuk PV7001C

Kecepatan mesin bisa diubah dengan memutar saklar penyetel kecepatan ke setelan angka yang tersedia mulai dari 1 sampai 5.

Kecepatan yang lebih tinggi diperoleh jika saklar diputar ke arah angka 5. Dan kecepatan yang lebih rendah diperoleh jika diputar ke arah angka 1.

Silakan mengacu pada tabel tentang hubungan antara setelan angka pada saklar dan perkiraan kecepatan mesin.

Untuk melepas bantalan, ikuti urutan terbalik dari prosedur pemasangan.

## Memasang atau melepas bantalan spons (Gb. 7)

Untuk memasang bantalan spons, pertama-tama hilangkan semua kotoran atau benda asing dari bantalan. Pasang bantalan spons pada bantalan. Untuk melepas bantalan, cabut dari bantalan secara perlahan.

## Memasang atau melepas bonet wol

Pasang bantalan karet pada spindel. Pasang mur kunci pada spindel. (Gb. 8)

Untuk mengencangkan mur kunci, tahan spindel menggunakan kunci pas agar tidak berputar, kemudian gunakan kunci pas baut pengunci dan kencangkan kuat-kuat searah jarum jam. (Gb. 9)

Sesuaikan bonet wol sepenuhnya di atas bantalan karet dan tarik benangnya dengan kuat. Ikut membentuk simpul hidup lalu selipkan simpul dan benang yang longgar antara bonet wol dan bantalan karet. (Gb. 10)

Untuk melepas bonet wol, ikuti urutan terbalik dari prosedur pemasangan.

## Memasang atau melepas cakram abrasif

### CATATAN:

- Gunakan aksesoris mesin ampelas yang ditentukan dalam panduan ini. Aksesoris tersebut harus dibeli secara terpisah.

Pasang bantalan karet pada spindel. Pasang cakram abrasif pada bantalan karet dan kencangkan mur kunci pada spindel. (Gb. 11)

Untuk mengencangkan mur kunci, tahan spindel menggunakan kunci pas agar tidak berputar, kemudian gunakan kunci pas baut pengunci dan kencangkan kuat-kuat searah jarum jam. (Gb. 12)

Untuk melepas cakram, ikuti urutan terbalik dari prosedur pemasangan.

## PENGUNAAN

### Pekerjaan pemolesan menggunakan bantalan spons (Gb. 13)

#### ⚠ PERHATIAN:

- Selalu gunakan kaca mata pengaman atau pelindung muka selama pengoperasian.

Secara umum, pertahankan bantalan spons pada sudut sekitar 15 derajat terhadap permukaan benda kerja.

### Pekerjaan pemolesan menggunakan bonet wol (Gb. 14)

#### ⚠ PERHATIAN:

- Selalu gunakan kaca mata pengaman atau pelindung muka selama pengoperasian.

Pegang mesin kuat-kuat. Nyalakan mesin dan kemudian tekan bonet wol pada benda kerja.

Secara umum, pertahankan bonet wol pada sudut sekitar 15 derajat terhadap permukaan benda kerja.

Beri tekanan sedikit saja. Tekanan yang berlebihan akan mengakibatkan menurunnya kinerja dan terjadinya keausan dini pada bonet wol.

## Pekerjaan pengampelasan (Gb. 15)

#### ⚠ PERHATIAN:

- Selalu gunakan kaca mata pelindung atau pelindung muka selama pengoperasian.
- Jangan sekali-kali menyalakan mesin saat menyentuh benda kerja, hal tersebut bisa menyebabkan luka pada operator.
- Jangan sekali-kali menyalakan mesin tanpa cakram abrasif. Anda dapat merusak bantalan dengan serius.

Pegang mesin kuat-kuat. Nyalakan mesin dan kemudian tekan cakram abrasif pada benda kerja.

Secara umum, pertahankan cakram abrasif pada sudut sekitar 15 derajat terhadap permukaan benda kerja.

Beri tekanan sedikit saja. Tekanan yang berlebihan akan mengakibatkan menurunnya kinerja dan terjadinya keausan dini pada cakram abrasif.

## PERAWATAN

#### ⚠ PERHATIAN:

- Selalu pastikan bahwa mesin dimatikan dan steker dicabut sebelum melakukan pemeriksaan atau perawatan.

### Mengganti sikat karbon

Lepas dan periksa sikat karbon secara teratur. Lepas ketika aus sampai tanda batas. Jaga agar sikat karbon tetap bersih dan tidak bergeser dari tempatnya. Kedua sikat karbon harus diganti pada waktu yang sama. Hanya gunakan sikat karbon yang sama. (Gb. 16)

Gunakan obeng untuk melepas tutup tempat sikat. Tarik keluar sikat karbon yang aus, masukkan yang baru dan pasang tutup tempat sikat. (Gb. 17)

Untuk menjaga KEAMANAN dan KEANDALAN mesin, perbaikan, perawatan atau penyetulan lain harus dilakukan oleh Pusat Layanan Resmi Makita dan selalu gunakan suku cadang pengganti buatan Makita.

## PILIHAN AKSESORI

#### ⚠ PERHATIAN:

- Dianjurkan untuk menggunakan aksesoris atau perangkat tambahan ini dengan mesin Makita Anda yang ditentukan dalam petunjuk ini. Penggunaan aksesoris atau perangkat tambahan lain bisa menyebabkan risiko cedera pada manusia. Hanya gunakan aksesoris atau perangkat tambahan sesuai dengan peruntukannya.

Jika Anda memerlukan bantuan lebih rinci berkenaan dengan aksesoris ini, tanyakan pada pusat layanan Makita terdekat.

- Bantalan spons (Tipe pengait)
- Bantalan belakang 165 (Tipe pengait)
- Cakram abrasif
- Bonet wol 180
- Bantalan karet 170
- Mur kunci 48
- Kunci pas baut pengunci 28
- Kunci pas 17
- Gagang sisi (pengangan tambahan)

**CATATAN:**

- Beberapa item dalam daftar tersebut mungkin sudah termasuk dalam paket mesin sebagai aksesori standar. Hal tersebut dapat berbeda dari satu negara ke negara lainnya.

# TIẾNG VIỆT

## Giải thích về hình vẽ tổng thể

- |                                |                       |                       |
|--------------------------------|-----------------------|-----------------------|
| 1. Cần khởi động công tắc      | 8. Trụ quay           | 15. Cờ-lê khóa đai ốc |
| 2. Nút khóa                    | 9. Cờ-lê              | 16. Đĩa nhám          |
| 3. Đĩa điều chỉnh tốc độ       | 10. Tấm bọt biển      | 17. Vạch giới hạn     |
| 4. Nút cài đặt tốc độ Cao-Thấp | 11. Mặt đệm           | 18. Nắp giữ chốt      |
| 5. Nắp che                     | 12. Tấm len dạng mũ   | 19. Tuốc-nơ-vít       |
| 6. Tay cầm hồng                | 13. Đai ốc khóa       |                       |
| 7. Tấm đặt lót                 | 14. Bộ tấm đệm cao su |                       |

## THÔNG SỐ KỸ THUẬT

Kiểu		PV7001	PV7001C
Công suất tối đa	Tấm bọt biển/Tấm len dạng mũ	180 mm	180 mm
	Đĩa nhám	180 mm	180 mm
Tốc độ không tải (phút <sup>-1</sup> )		1.700	600 - 2.000
Chiều dài tổng thể		210 mm	210 mm
Trọng lượng tịnh		2,0 kg	2,0 kg

- Do chương trình nghiên cứu và phát triển liên tục của chúng tôi nên các thông số kỹ thuật trong đây có thể thay đổi mà không cần thông báo trước.
- Lưu ý: Các thông số kỹ thuật có thể thay đổi tùy theo từng quốc gia.

END101-1

### Ký hiệu

Phần dưới đây cho biết các ký hiệu được dùng cho dụng cụ. Đảm bảo rằng bạn hiểu rõ ý nghĩa của các ký hiệu này trước khi sử dụng.



..... Đọc tài liệu hướng dẫn.



..... Mang kính an toàn.

### Mục đích sử dụng

Dụng cụ này được dùng để đánh bóng, làm mịn trước khi sơn, hoàn thiện các bề mặt và loại bỏ rỉ sét và sơn.

### Nguồn cấp điện

Dụng cụ này chỉ được nối với nguồn cấp điện có điện áp giống như đã chỉ ra trên biển tên và chỉ có thể được vận hành trên nguồn điện AC đơn pha. Dụng cụ này cần phải được nối đất trong lúc sử dụng để đảm bảo người vận hành không bị điện giật. Chỉ sử dụng các dây điện nối dài loại ba lõi với các phích cắm loại ba chấu có tiếp đất và các ổ cắm điện ba chấu dùng cho phích cắm của dụng cụ.

ENA001-2

## HƯỚNG DẪN AN TOÀN

**CẢNH BÁO!** Khi sử dụng các thiết bị điện, cần phải luôn luôn tuân thủ các biện pháp phòng ngừa an toàn, bao gồm các mục sau để giảm thiểu nguy cơ hỏa hoạn, điện giật và thương tích cá nhân. Đọc mọi hướng dẫn trước khi vận hành sản phẩm này và cất giữ bản hướng dẫn này.

### Để vận hành an toàn:

- Giữ cho khu vực làm việc luôn sạch sẽ.**  
Chỗ làm việc và bàn máy bừa bãi sẽ dễ gây ra thương tích.
- Cần lưu ý xem xét môi trường làm việc.**  
Không được để các dụng cụ điện ngoài trời mưa. Không sử dụng các dụng cụ điện ở những nơi ẩm thấp hoặc ướt. Giữ khu vực làm việc được chiếu sáng tốt. Không được sử dụng các dụng cụ điện ở nơi có nguy cơ gây hỏa hoạn hoặc cháy nổ.
- Bảo vệ chống điện giật.**  
Tránh để cơ thể tiếp xúc với các bề mặt nối đất hoặc tiếp đất (ví dụ như đường ống, bộ tản nhiệt, bếp ga và tủ lạnh).
- Không để trẻ em lại gần.**  
Không để khách tham quan chạm vào dụng cụ hoặc dây dẫn nối dài. Mọi khách tham quan cần phải được giữ cách xa khu vực làm việc.
- Cất các dụng cụ không sử dụng.**  
Khi không sử dụng, cần cất giữ các dụng cụ ở nơi khô ráo, trên cao hoặc được khóa kín, ngoài tầm với của trẻ em.
- Không dùng lực đối với dụng cụ máy.**  
Điều này sẽ giúp sử dụng dụng cụ an toàn hơn, tốt hơn theo như định mức dự kiến của thiết bị.
- Sử dụng đúng dụng cụ.**  
Không cố sử dụng các dụng cụ hoặc phụ kiện nhỏ để thực hiện các công việc dành cho dụng cụ công suất lớn. Không sử dụng dụng cụ cho những mục đích ngoài thiết kế; ví dụ như không được sử dụng cưa đĩa để cắt cành cây hoặc gốc cây.

8. **Ăn mặc phù hợp.**  
Không được mặc quần áo rộng hoặc đeo trang sức lỏng lẻo, chúng có thể bị mắc kẹt vào các bộ phận di chuyển. Khuyến cáo nên sử dụng găng tay cao su và giày chống trượt khi làm việc ngoài trời. Mang bọc bảo vệ tóc để giữ tóc lại.
9. **Sử dụng kính bảo hộ và thiết bị chống tiếng ồn.**  
Ngoài ra cũng nên sử dụng mặt nạ hoặc mặt nạ chống bụi nếu thao tác tác gây ra nhiều bụi.
10. **Đầu nối thiết bị thu bụi.**  
Nếu các thiết bị được cung cấp để kết nối các thiết bị thu gom và hút bụi, hãy đảm bảo chúng được kết nối và sử dụng hợp lý.
11. **Không lạm dụng dây điện.**  
Không bao giờ cầm dụng cụ bằng dây dẫn hoặc giật mạnh dây để tháo dây khỏi ổ cắm điện. Giữ dây dẫn cách xa nguồn nhiệt, dầu mỡ và các cạnh mép sắc nhọn.
12. **Giữ chặt vật gia công.**  
Sử dụng bàn kẹp hoặc mỏ cặp để giữ vật gia công. Cách này sẽ an toàn hơn là dùng tay và giúp hai tay tự do để vận hành dụng cụ.
13. **Không vọt quá cao.**  
Luôn giữ thăng bằng tốt và có chỗ để chân phù hợp.
14. **Cầm giữ dụng cụ cẩn thận.**  
Giữ cho dụng cụ luôn sắc bén và sạch sẽ để hoạt động tốt và an toàn hơn. Tuân theo hướng dẫn đối với việc bôi trơn và thay phụ tùng. Kiểm tra dây dẫn dụng cụ thường xuyên và nếu bị hư hỏng phải sửa chữa ngay bởi một cơ sở bảo trì được ủy quyền. Kiểm tra dây dẫn nối dài định kỳ và thay thế nếu bị hư hỏng. Giữ tay cầm khô, sạch, không dính dầu và mỡ.
15. **Ngắt kết nối dụng cụ.**  
Khi không sử dụng, trước khi bảo trì và khi thay đổi các phụ kiện như lưỡi cưa, đầu mũi và lưỡi cắt.
16. **Tháo các khóa và chia vận điều chỉnh.**  
Tập dần thói quen kiểm tra xem các khóa và chia vận điều chỉnh đã được tháo ra khỏi dụng cụ hay chưa trước khi bật dụng cụ lên.
17. **Tránh vô tình khởi động dụng cụ máy.**  
Không được cầm dụng cụ đang cắm điện với ngón tay để hồ trên công tắc. Đảm bảo đã tắt công tắc khi cắm điện vào.
18. **Sử dụng loại dây dẫn điện nối dài dùng ở ngoài trời.**  
Khi sử dụng dụng cụ ngoài trời, chỉ được sử dụng dây dẫn điện nối dài được dùng cho ngoài trời.
19. **Luôn cẩn trọng.**  
Theo dõi những gì bạn đang thực hiện. Hãy cân nhắc kỹ lưỡng. Không vận hành thiết bị khi bạn đang mệt mỏi.
20. **Kiểm tra các bộ phận bị hư hỏng.**  
Trước khi sử dụng tiếp dụng cụ, cần phải kiểm tra kỹ lưỡng bộ phận bảo vệ hoặc bộ phận khác bị hư hỏng để xác định rằng máy sẽ vận hành bình thường và thực hiện đúng chức năng như được thiết kế. Kiểm tra căn chỉnh các bộ phận chuyển động, cho chạy tự do các bộ phận chuyển động, chỗ nối với các bộ phận, chỗ gắn và bất cứ tình trạng nào khác có thể ảnh hưởng đến việc vận hành. Bộ phận bảo vệ hoặc bộ phận nào khác bị hư hỏng cần phải được sửa chữa đúng cách hoặc thay thế bởi một trung tâm bảo trì

được ủy quyền trừ khi được chỉ dẫn khác trong sách hướng dẫn này. Nếu thay thế các công tắc bị hỏng bởi một cơ sở bảo trì được ủy quyền. Không sử dụng dụng cụ nếu công tắc không bật và tắt được dụng cụ máy đó.

21. **Cảnh báo.**  
Việc sử dụng bất cứ phụ kiện hoặc phụ tùng nào khác ngoài các loại đã được khuyến cáo trong sách hướng dẫn này hoặc trong catalog có thể dẫn đến nguy cơ thương tích cá nhân.
22. **Hãy nhờ người có đủ trình độ sửa chữa dụng cụ của bạn.**  
Dụng cụ điện này tuân thủ các yêu cầu an toàn về điện liên quan. Việc sửa chữa cần được tiến hành bởi người có đủ trình độ bằng cách sử dụng các bộ phận dự phòng nguyên gốc, nếu không có thể dẫn đến nguy hiểm đáng kể cho người sử dụng.

ENB072-1

## CÁC QUY ĐỊNH AN TOÀN BỔ SUNG

1. **Luôn sử dụng thiết bị bảo vệ mắt và tai.** Cần nên đeo thiết bị bảo hộ cá nhân như khẩu trang, găng tay, mũ bảo hiểm và tạp dề làm việc.
2. **Luôn luôn đảm bảo rằng dụng cụ đã được tắt và tháo phích cắm trước khi dùng dụng cụ thực hiện bất cứ công việc nào.**
3. **Các phụ kiện phải được đánh giá với tốc độ ít nhất như được khuyến cáo trên nhãn cảnh báo công cụ.** Các đĩa mài và các phụ kiện khác đang chạy vượt tốc độ định mức có thể bay ra và gây thương tích.
4. **Kiểm tra tấm đặt lót cẩn thận xem có nứt, hư hỏng hoặc biến dạng gì không trước khi vận hành.** Thay thế tấm đặt bị nứt, hư hỏng hoặc bị biến dạng ngay lập tức.
5. **Kiểm tra xem vật gia công đã được kê đỡ đầy đủ chưa.**
6. **Cầm chắc dụng cụ.**
7. **Giữ tay tránh xa các bộ phận quay.**
8. **Phải đảm bảo rằng đĩa nhám hoặc tấm len dạng mũ không tiếp xúc với vật gia công trước khi bật công tắc lên.**
9. **Khi chà nhám các bề mặt kim loại, hãy coi chừng các tia lửa bắn ra.** Giữ dụng cụ để các tia lửa bắn ra xa bạn và những người khác hoặc các vật liệu dễ cháy.
10. **Không để mặc dụng cụ hoạt động.** Chỉ vận hành dụng cụ khi cầm trên tay.
11. **Chú ý rằng đĩa mài sẽ tiếp tục quay sau khi tắt dụng cụ.**
12. **Không chạm vào vật gia công ngay sau khi vận hành; chúng có thể rất nóng và có thể gây bỏng da.**
13. **Nếu nơi làm việc rất nóng và ẩm ướt, hoặc bị ô nhiễm nặng bởi bụi dẫn điện, hãy dùng bộ ngắt điện đoản mạch (30 mA) để bảo đảm an toàn cho người vận hành.**
14. **Không dùng dụng cụ này trên bất kỳ vật liệu nào có chứa amiăng.**
15. **Không sử dụng nước hoặc chất bôi trơn khi mài.**
16. **Cần thông thoáng phù hợp cho khu vực làm việc khi bạn thực hiện thao tác đánh nhám.**

17. Một số vật liệu có thể chứa hoá chất độc. Phải cẩn trọng tránh hít phải bụi và để tiếp xúc với da. Tuân theo dữ liệu an toàn của nhà cung cấp vật liệu.
18. Luôn luôn sử dụng đúng mặt nạ chống bụi/khẩu trang đối với loại vật liệu và ứng dụng bạn đang làm việc khi chà nhám.
19. Đảm bảo rằng các lỗ mờ thông gió luôn được thông thoáng khi làm việc trong điều kiện bụi bặm. Nếu cần thiết phải làm sạch bụi, đầu tiên hãy ngắt kết nối dụng cụ khỏi nguồn điện chính (sử dụng các vật phi kim) và tránh gây tổn hại đến các bộ phận bên trong.
20. **NÓI ĐẮT ĐÚNG QUY ĐỊNH.** Dụng cụ này cần phải được nói đất trong lúc sử dụng để đảm bảo người vận hành không bị điện giật.
21. **DÂY ĐIỆN NÓI DÀI CHỈ** sử dụng các dây điện nối dài loại ba lõi với các phích cắm loại ba chấu có tiếp đất và các ổ cắm điện ba chấu dùng cho phích cắm của dụng cụ. Thay thế hoặc sửa chữa ngay lập tức các dây bị hư hỏng hoặc mòn.

## LƯU GIỮ CÁC HƯỚNG DẪN NÀY.

### MÔ TẢ CHỨC NĂNG

#### ⚠ CẢN TRỌNG:

- Phải luôn đảm bảo rằng dụng cụ đã được tắt điện và ngắt kết nối trước khi chỉnh sửa hoặc kiểm tra chức năng của dụng cụ.

### Hoạt động công tắc (Hình 1)

#### ⚠ CẢN TRỌNG:

- Trước khi cắm điện vào dụng cụ, luôn luôn kiểm tra xem cần khởi động công tắc có hoạt động bình thường hay không và trả về vị trí "OFF" (TẮT) khi nhả ra.

Để khởi động dụng cụ, chỉ cần kéo cần khởi động công tắc. Nhả cần khởi động công tắc ra để dừng.

Để tiếp tục vận hành, hãy kéo cần khởi động công tắc và sau đó nhấn vào nút khóa.

Để dừng dụng cụ từ vị trí đã khóa, hãy kéo cần khởi động công tắc hết mức, sau đó nhả ra.

### Đĩa điều chỉnh tốc độ (Hình 2)

#### Đối với riêng kiểu PV7001C

Có thể thay đổi tốc độ dụng cụ bằng cách xoay đĩa điều chỉnh tốc độ đến cài đặt số đã có sẵn từ 1 đến 5.

Có thể đặt tốc độ cao hơn khi xoay đĩa này về hướng số 5. Và đưa về tốc độ thấp hơn khi xoay đĩa về hướng số 1.

Tham khảo bảng sau về mối liên quan giữa cài đặt theo số trên đĩa và tốc độ dụng cụ phù hợp.

Số	phút <sup>-1</sup> (Vòng/phút)
1 - 2	600 - 800
2 - 3	800 - 1.300
3 - 4	1.300 - 1.800
4 - 5	1.800 - 2.000

C00040

#### ⚠ CẢN TRỌNG:

- Luôn dụng cụ được vận hành liên tục ở tốc độ chậm trong thời gian dài, motor sẽ bị quá tải dẫn đến trục trặc cho dụng cụ.

- Đĩa điều chỉnh tốc độ chỉ có thể được xoay đến số 5 và trở về số 1. Không được cố xoay quá số 5 hoặc số 1, nếu không chức năng điều chỉnh tốc độ có thể sẽ không còn hoạt động được.

Các dụng cụ này được trang bị chức năng điện tử giúp dễ dàng thao tác nhờ các tính năng sau.

#### • Điều khiển tốc độ không đổi bằng điện tử

Có khả năng tạo được bề mặt hoàn thiện đẹp bởi tốc độ xoay được giữ không đổi ngay cả trong điều kiện có tải.

#### • Tính năng khởi động mềm

Khởi động mềm để tránh bị giật lúc khởi động.

### Nút cài đặt tốc độ Cao-Thấp (Hình 3)

#### Đối với riêng kiểu PV7001C

Có thể thay đổi tốc độ dụng cụ ngay lập tức trong khi công cụ đang chạy. Nhấn vào vị trí "I" để có tốc độ thấp nhất và nhấn vào vị trí "II" để chọn cài đặt số đã có sẵn.

Không thể thay đổi tốc độ dụng cụ khi nút đang ở vị trí "I", ngay cả khi bạn xoay đĩa điều chỉnh tốc độ. Khi bạn xoay đĩa điều chỉnh tốc độ, hãy luôn đảm bảo rằng nút đó được nhấn vào vị trí "II".

### LẮP RÁP

#### ⚠ CẢN TRỌNG:

- Luôn luôn đảm bảo rằng dụng cụ đã được tắt và tháo phích cắm trước khi dùng dụng cụ thực hiện bất cứ công việc nào.

### Lắp đặt tay cầm hông (tay cầm phụ) & nắp (Hình 4 & Hình 5)

#### ⚠ CẢN TRỌNG:

- Luôn đảm bảo rằng tay cầm hông được gắn chặt trước khi vận hành.

Lắp phần nắp vào, sau đó vận tay cầm hông trên dụng cụ thật chặt. Tay cầm hông và nắp có thể được gắn ở cả hai bên của dụng cụ.

### Lắp hoặc tháo tấm đặt lót (Hình 6)

Giữ trụ quay bằng cờ-lê để nó không thể xoay được. Sau đó vận tấm đặt lên trụ quay hết mức. (Có thể dùng tấm đặt để lắp đặt tấm bọt biển tùy chọn.)

Để tháo tấm đặt, hãy làm ngược lại quy trình lắp vào.

### Lắp hoặc tháo tấm bọt biển (Hình 7)

Để lắp tấm bọt biển, trước tiên loại bỏ mọi vết bẩn hoặc ngoại vật ra khỏi tấm đặt. Lắp tấm bọt biển vào tấm đặt. Để tháo tấm bọt biển, hãy từ từ kéo nó ra khỏi tấm đặt.

### Lắp hoặc tháo tấm len dạng mũ

Gắn tấm cao su lên trụ quay. Vận đai ốc khóa lên trên trụ quay. (Hình 8)

Để vận chặt đai ốc khóa, hãy giữ trụ quay bằng khóa cờ-lê để nó không thể xoay, sau đó sử dụng cờ-lê đai ốc khóa và vận chặt lại theo chiều kim đồng hồ. (Hình 9)

Gắn khớp hoàn toàn tấm len dạng mũ lên tấm đặt cao su và kéo dây cho chặt lại. Thắt một nút buộc nơ và gài nút buộc đó lại đồng thời nới lỏng các dây giữa tấm len dạng mũ và tấm đặt cao su. (Hình 10)

Để tháo tấm len dạng mũ, hãy làm ngược lại quy trình lắp vào.



## Gắn hoặc tháo đĩa nhám

### LƯU Ý:

- Sử dụng các phụ kiện máy chà nhám được quy định trong sách hướng dẫn này. Các mục này phải được mua riêng.

Gắn tấm cao su lên trục quay. Gắn khít đĩa nhám trên tấm đặt cao su và vận đai ốc khóa lên trục quay. **(Hình 11)**  
Để vận chặt đai ốc khóa, hãy giữ trục quay bằng khóa cờ-lê để nó không thể xoay, sau đó sử dụng cờ-lê đai ốc khóa và vận chặt lại theo chiều kim đồng hồ. **(Hình 12)**  
Để tháo đĩa nhám, hãy làm ngược lại quy trình lắp vào.

## VẬN HÀNH

### Thao tác đánh bóng bằng tấm bọt biển **(Hình 13)**

#### ⚠ CẢN TRỌNG:

- Luôn luôn mang kính an toàn hoặc mặt nạ bảo vệ mặt trong khi vận hành.

Nói chung, hãy giữ tấm bọt biển ở một góc khoảng 15 độ so với bề mặt vật gia công.

### Thao tác đánh bóng bằng tấm len dạng mũ **(Hình 14)**

#### ⚠ CẢN TRỌNG:

- Luôn luôn mang kính an toàn hoặc mặt nạ bảo vệ mặt trong khi vận hành.

Cầm chắc dụng cụ. Bật dụng cụ lên và sau đó đặt tấm len dạng mũ lên vật gia công.

Nói chung, hãy giữ tấm len dạng đĩa ở một góc khoảng 15 độ so với bề mặt vật gia công.

Áp dụng bằng một lực nhỏ. Áp dụng quá mức sẽ dẫn đến hiệu suất kém và hao mòn quá sớm đối với tấm len dạng mũ.

### Thao tác chà nhám **(Hình 15)**

#### ⚠ CẢN TRỌNG:

- Luôn luôn mang kính bảo hộ hoặc mặt nạ bảo vệ mặt trong khi vận hành.
- Không bao giờ bật dụng cụ lên khi nó đang tiếp xúc với vật gia công, điều này có thể gây thương tích cho người vận hành.
- Không bao giờ được vận hành dụng cụ mà không có đĩa nhám. Bạn có thể gây hư hỏng tấm đặt nghiêm trọng.

Cầm chắc dụng cụ. Bật dụng cụ lên và sau đó sử dụng đĩa nhám cho vật gia công.

Nói chung, hãy giữ đĩa nhám ở một góc khoảng 15 độ so với bề mặt vật gia công.

Áp dụng bằng một lực nhỏ. Áp dụng quá mức sẽ dẫn đến hiệu suất kém và hao mòn quá sớm đối với đĩa nhám.

## BẢO TRÌ

#### ⚠ CẢN TRỌNG:

- Hãy luôn chắc chắn rằng dụng cụ đã được tắt và ngắt kết nối trước khi cố gắng thực hiện việc kiểm tra hay bảo dưỡng.

## Thay thế các chổi các-bon

Hãy tháo và kiểm tra các chổi các-bon định kỳ. Thay thế khi chổi đã mòn đến vạch giới hạn. Hãy giữ cho các chổi các-bon sạch sẽ và không quấn vào trong các đầu giữ. Các chổi các-bon nên được thay thế cùng lúc. Hãy sử dụng các chổi các-bon giống nhau. **(Hình 16)**

Hãy sử dụng một tuốc-nơ-vít để tháo các nắp giữ chổi. Hãy tháo các chổi các-bon đã bị mòn, lắp vào các chổi mới và vận chặt các nắp giữ chổi. **(Hình 17)**

Để đảm bảo AN TOÀN và TIN CẬY của sản phẩm, việc sửa chữa hoặc bất cứ thao tác bảo trì, điều chỉnh nào đều phải được thực hiện bởi các Trung tâm Dịch vụ Được Ủy quyền của Makita (Makita Authorized Service Center), luôn sử dụng các phụ tùng thiết bị thay thế của Makita.

## PHỤ KIỆN TỰ CHỌN

#### ⚠ CẢN TRỌNG:

- Các phụ kiện hoặc phụ tùng gắn thêm này được khuyến cáo sử dụng với dụng cụ Makita của bạn theo như quy định trong hướng dẫn này. Việc sử dụng bất cứ phụ kiện hoặc phụ tùng gắn thêm nào khác đều có thể gây ra rủi ro thương tích cho người. Chỉ sử dụng phụ kiện hoặc phụ tùng gắn thêm cho mục đích đã quy định sẵn của chúng.

Nếu bạn cần hỗ trợ để biết thêm chi tiết về những phụ kiện này, hãy liên hệ với trung tâm dịch vụ của Makita tại địa phương của bạn.

- Tấm bọt biển (kiểu đục lỗ sẵn Hook & look)
- Tấm đặt lỗ 165 (kiểu đục lỗ sẵn Hook & look)
- Đĩa nhám
- Tấm len dạng mũ 180
- Tấm cao su 170
- Đai ốc khóa 48
- Cờ-lê khóa đai ốc số 28
- Cờ-lê số 17
- Tay cầm hồng (tay cầm phụ)

#### LƯU Ý:

- Một vài mục trong danh sách có thể được bao gồm trong gói dụng cụ làm phụ kiện tiêu chuẩn. Các thông số kỹ thuật có thể thay đổi tùy theo từng quốc gia.

## คำอธิบายของมุมมองทั่วไป

- |                            |                 |                     |
|----------------------------|-----------------|---------------------|
| 1. สวิตช์สั่งงาน           | 8. แกนหมุน      | 15. ไขควงเกลียวล็อก |
| 2. ปุ่มล๊อค                | 9. ประแจ        | 16. จานขัด          |
| 3. แป้นปรับความเร็ว        | 10. แผ่นฟองน้ำ  | 17. ซีตจํากัด       |
| 4. ปุ่มตั้งความเร็วสูง-ต่ำ | 11. แผ่นรอง     | 18. ฝาปิดที่ยึดแปรง |
| 5. ฝาปิด                   | 12. ลูกขัดขนแกะ | 19. ไขควง           |
| 6. ด้ามจับด้านข้าง         | 13. น็อตล๊อค    |                     |
| 7. แผ่นหลัง                | 14. แผ่นยาง     |                     |

## ข้อมูลจำเพาะ

รุ่น	PV7001	PV7001C	
ความสามารถการทำงานสูงสุด	แผ่นฟองน้ำ/ลูกขัดขนแกะ	180 มม.	180 มม.
	จานขัด	180 มม.	180 มม.
ความเร็วขณะหมุนเปล่า (รอบต่อนาที)		1,700	600 - 2,000
ความยาวโดยรวม		210 มม.	210 มม.
น้ำหนักสุทธิ		2.0 กก.	2.0 กก.

- เนื่องจากมีการค้นคว้าวิจัยและพัฒนาอย่างต่อเนื่อง ข้อมูลจำเพาะในเอกสารฉบับนี้อาจเปลี่ยนแปลงได้โดยไม่ต้องแจ้งให้ทราบล่วงหน้า
- หมายเหตุ: ข้อมูลจำเพาะอาจแตกต่างกันไปในแต่ละประเทศ

END101-1

ENA001-2

## สัญลักษณ์

ต่อไปนี้เป็นสัญลักษณ์ที่ใช้สำหรับเครื่องมือ โปรดศึกษาความหมายของสัญลักษณ์ให้เข้าใจก่อนการใช้งาน



..... อ่านคู่มือการใช้งาน



..... สวมแว่นตานิรภัย

## จุดประสงค์ของเครื่องมือ

เครื่องมือนี้มีจุดประสงค์เพื่อใช้ขัดเงา ขัดเรียบก่อนการทาสี ขัดพื้นผิวเพื่อเก็บงาน และนำสิ่งสกปรกและคราบสีออกจากชิ้นงาน

## การจ่ายไฟ

ต้องเชื่อมต่อเครื่องมือกับเครื่องจ่ายไฟที่มีแรงเคลื่อนไฟฟ้าตามที่ระบุไว้ในป้ายข้อมูลเครื่องมือ และจะต้องใช้ไฟฟ้ากระแสสลับแบบเฟสเดียวเท่านั้น ต้องเชื่อมต่อสายดินในขณะที่ใช้งานเพื่อป้องกันผู้ปฏิบัติงานจากการถูกไฟฟ้าดูด ให้แต่สายไฟต่อแบบสามสายที่มีปลั๊กแบบสามขาและตัวรับแบบสามรูเท่านั้น

## คำแนะนำด้านความปลอดภัย

**คำเตือน!** เมื่อใช้เครื่องมือไฟฟ้า ต้องปฏิบัติตามคำแนะนำด้านความปลอดภัยต่างๆ ดังต่อไปนี้เสมอเพื่อลดความเสี่ยงในการเกิดเพลิงไหม้ ไฟฟ้าดูด หรือการบาดเจ็บ โปรดอ่านคำแนะนำเหล่านี้ทั้งหมดก่อนใช้ผลิตภัณฑ์นี้และจดจำคำแนะนำเหล่านี้

## เพื่อการใช้อย่างปลอดภัย:

- รักษาความสะอาดของสถานที่ปฏิบัติงาน**  
สถานที่ปฏิบัติงานและโต๊ะทำงานที่รกจะเป็นสาเหตุของกราดบาดเจ็บ
- ตรวจสอบความเรียบร้อยของบริเวณที่ปฏิบัติงานให้ดี**  
อย่าให้เครื่องมือไฟฟ้าโดนฝน อย่าใช้เครื่องมือไฟฟ้าในสถานที่ๆ เปียกชื้น จัดให้มีแสงสว่างเพียงพอในพื้นที่ปฏิบัติงาน อย่าใช้เครื่องมือไฟฟ้าเมื่อมีความเสี่ยงที่จะเกิดไฟลุกหรือการระเบิด
- ใช้อุปกรณ์ป้องกันไฟฟ้าดูด**  
ระวังอย่าให้ร่างกายสัมผัสกับพื้นผิวที่ต่อสายดิน เช่น ท่อเครื่องทำความร้อน เตาหุงต้ม และตู้เย็น
- อย่าให้เด็กเข้ามาใกล้บริเวณที่ปฏิบัติงาน**  
อย่าให้ผู้ดูแลปฏิบัติงานสัมผัสเครื่องมือหรือสายไฟ ผู้ดูแลปฏิบัติงานทุกคนต้องอยู่ห่างจากสถานที่ปฏิบัติงาน

5. **จัดเก็บเครื่องมือที่ไม่ได้ใช้**  
เมื่อไม่ได้ใช้เครื่องมือ ควรจัดเก็บไว้ในที่ที่แห้ง สูงหรือมีที่ล็อค และห่างจากมือเด็ก
6. **อย่าฝืนใช้เครื่องมือ**  
เครื่องมือจะทำงานได้ดีกว่าและปลอดภัยกว่าในอัตราการทำงานที่กำหนดไว้
7. **ใช้เครื่องมือให้เหมาะสม**  
อย่าใช้ฝืนใช้เครื่องมือหรืออุปกรณ์ขนาดเล็กเพื่อทำงานที่ต้องใช้เครื่องมือกำลังสูง อย่าใช้เครื่องมือผิดจุดประสงค์ เช่น อย่าใช้เลื่อยวงเดือนเพื่อตัดท่อนไม้หรือขลุ่ย
8. **แต่งกายให้เหมาะสม**  
อย่าสวมใส่เสื้อผ้าหรือเครื่องประดับที่รุงรัง เนื่องจากอาจเข้าไปติดที่ส่วนที่สามารถเคลื่อนไหวได้ ขอบแนะนำให้สวมถุงมือยาง และระมัดระวังเท้าก้านลิ้นเมื่อปฏิบัติงานกลางแจ้ง ในกรณีที่มีผมยาว ให้สวมที่คลุมผม
9. **สวมแว่นนิรภัยและอุปกรณ์ป้องกันระบบการได้ยิน**  
ควรสวมหมวกกันบ่อป้องกันฝุ่นหรือหน้ากากป้องกันใบหน้าหากการตัดนั้นก่อให้เกิดฝุ่นเป็นจำนวนมาก
10. **ใช้อุปกรณ์ตัดฝุ่น**  
หากมีอุปกรณ์สำหรับดูดและจัดเก็บฝุ่น ให้ตรวจสอบว่าได้เชื่อมต่อและใช้งานอุปกรณ์นั้นอย่างเหมาะสม
11. **อย่าใช้สายไฟอย่างไม่เหมาะสม**  
อย่าถือเครื่องมือที่สายไฟหรือใช้วิธีการชกสายไฟเพื่อดึงออกจากเต้าเสียบ เก็บสายไฟให้ห่างจากความร้อน น้ำมัน และขอบวัตถุที่แหลมคม
12. **ปฏิบัติงานอย่างปลอดภัย**  
ใช้ที่จับหรือคีมจับเพื่อจับชิ้นงาน วิธีการนี้จะปลอดภัยกว่าใช้มือจับชิ้นงาน และจะช่วยให้คุณสามารถใช้ทั้งสองมือเพื่อจับเครื่องมือด้วย
13. **อย่าทำงานในระยะที่สุดแอ่อม**  
จัดทำการยื่นและการทรงตัวให้ เหมาะสมตลอดเวลา
14. **บำรุงรักษาเครื่องมือด้วยความเอาใจใส่**  
ดูแลให้อุปกรณ์ตัดมีความคมและสะอาดอยู่เสมอเพื่อประสิทธิภาพที่ดีกว่าและปลอดภัยกว่า ปฏิบัติตามคำแนะนำในการหล่อลื่นและการเปลี่ยนอุปกรณ์เสริม ตรวจสอบสายไฟของเครื่องมืออยู่เสมอ หากชำรุด ให้นำส่งแผนกบริการที่ได้รับอนุญาตเพื่อซ่อมแซม ตรวจสอบสายไฟต่ออยู่เสมอ และจัดเปลี่ยนหากชำรุด ดูแลมือจับให้แห้ง สะอาด และไม่มีน้ำมันและจาระบีเปื้อน
15. **ถอดปลั๊กเครื่องมือ**  
เมื่อไม่ได้ใช้ ก่อนการซ่อมแซม และเมื่อเปลี่ยนอุปกรณ์ต่างๆ เช่น ใบเลื่อย ดอกสว่าน และตัวตัด
16. **ถอดกุญแจและประแจปรับ**  
ออกจากที่ยึดเพื่อตรวจสอบว่าได้ถอดกุญแจและประแจปรับออกจากเครื่องมือก่อนเปิดเครื่อง

17. **หลีกเลี่ยงไม่ให้เปิดใช้งานโดยไม่ตั้งใจ**  
อย่าถือเครื่องมือที่เสียบปลั๊กอยู่โดยที่นิ้วคางอยู่ที่สวิตช์ ตรวจสอบให้สวิตช์อยู่ในตำแหน่งปิดเมื่อเสียบปลั๊ก
18. **ใช้สายไฟต่อสำหรับการใช้งานกลางแจ้ง**  
เมื่อใช้งานกลางแจ้ง ใช้แต่สายไฟต่อสำหรับการใช้งานกลางแจ้งเท่านั้น
19. **ระมัดระวังอยู่เสมอ**  
มีสติกับสิ่งที่คุณกำลังทำ ให้อาการณญาณทั่วๆ ไป อย่าใช้งานเครื่องมือเมื่อคุณเหนื่อย
20. **ตรวจสอบส่วนที่เสียหาย**  
ก่อนใช้งานเครื่องมือ ต้องตรวจสอบอุปกรณ์ป้องกันหรือส่วนที่เสียหายอย่างละเอียดเพื่อพิจารณาว่าสามารถใช้งานเครื่องมือได้อย่างเหมาะสมตามจุดประสงค์การใช้งานหรือไม่ ตรวจสอบความเรียบร้อยของส่วนที่หมุนได้ การหมุนของส่วนที่หมุนได้ การแตกหักหรือชำรุด การยึดติด และเงื่อนไขอื่นๆ ที่อาจจะส่งผลกระทบต่อการใช้งาน ควรซ่อมแซมหรือเปลี่ยนแปลง อุปกรณ์ป้องกันหรือส่วนอื่นๆ ที่เสียหายโดยศูนย์บริการที่ได้รับอนุญาต เว้นแต่จะมีการระบุไว้เป็นอย่างอื่นในคู่มือการใช้งานฉบับนี้ เปลี่ยนสวิตช์ที่เสียหายโดยผู้บริการที่ได้รับอนุญาต อย่าใช้เครื่องมือหากสวิตช์ไม่สามารถเปิดปิดได้
21. **คำเตือน**  
การใช้เครื่องมือหรืออุปกรณ์เสริมต่างๆ นอกจากที่คู่มือผู้ใช้ฉบับนี้หรือแคตตาล็อกได้นั้นจะแนะนำอาจก่อให้เกิดความเสี่ยงต่อการบาดเจ็บได้
22. **การซ่อมแซมเครื่องมือต้องกระทำโดยผู้ที่มีคุณสมบัติเหมาะสมเท่านั้น**  
เครื่องมือไฟฟ้าชนิดนี้มีความปลอดภัยตามข้อกำหนดของมาตรฐานที่เกี่ยวข้อง การซ่อมแซมต้องกระทำโดยผู้ที่มีคุณสมบัติเหมาะสมและต้องใช้แต่อะไหล่และชิ้นส่วนของแท้เท่านั้น มิฉะนั้นนอกจากก่อให้เกิดอันตรายต่อผู้ใช้ได้

ENB072-1

## กฎด้านความปลอดภัยเพิ่มเติม

1. **สวมใส่อุปกรณ์ป้องกันดวงตาและหูเสมอ ควรสวมใส่** อุปกรณ์ป้องกันส่วนบุคคลอื่น ๆ เช่น หน้ากากกันฝุ่น ถุงมือ ชุดป้องกัน และชุดนิรภัยต่าง ๆ
2. **ตรวจสอบให้แน่ใจว่าสวิตช์เครื่องมืออยู่ในตำแหน่งปิด** เครื่อง และถอดปลั๊กเครื่องมือออกก่อนดำเนินการงานใด ๆ กับเครื่องมือ
3. **อุปกรณ์ต้องสามารถใช้งานได้ด้วยอัตราความเร็วอย่างน้อยเท่ากับที่ระบุไว้ในฉลากคำแนะนำของเครื่องมือ** ล้อและอุปกรณ์อื่นๆ ที่หมุนเกินความเร็วที่กำหนดอาจจะกระเด็นออกมาและเป็นสาเหตุของการบาดเจ็บได้
4. **ตรวจสอบแผ่นรองหลังกระต่ายอย่างระมัดระวัง** เพื่อหาความเสียหายก่อนที่จะใช้งาน เปลี่ยนแผ่นที่แตกชำรุด หรือผิดรูปในที่นี้
5. **ตรวจสอบว่าชิ้นงานมีสิ่งรองรับหรือค้ำยันที่มั่นคง**
6. **จับเครื่องมือให้แน่น**

7. ระวังอย่าให้มือสัมผัสกับชิ้นส่วนที่หมุนได้
8. ตรวจสอบให้แน่ใจว่าจานขัดหรือลูกขัดบนแกนนั้นไม่ได้สัมผัสกับชิ้นงานก่อนที่จะเปิดสวิตช์
9. เมื่อขัดพื้นผิวที่เป็นโลหะ ให้ระวังประกายไฟกระเด็นด้วยถือเครื่องมือในลักษณะที่ให้ประกายไฟกระเด็นออกจากตัวคุณและผู้อื่น รวมถึงวัตถุที่สามารถติดไฟได้ด้วย
10. อย่าปล่อยให้เครื่องมือทำงานค้างไว้ ใช้งานเครื่องมือในขณะที่ถืออยู่เท่านั้น
11. พึงระวังไว้เสมอว่าลูกล้อยังคงหมุนต่อไปแม้ว่าจะปิดเครื่องมือแล้วก็ตาม
12. ห้ามสัมผัสกับชิ้นงานทันทีที่ทำงานเสร็จ เนื่องจากชิ้นงานอาจมีความร้อนสูงและลวกผิวหนังของคุณได้
13. หากสถานที่ปฏิบัติงานนั้นร้อนและชื้นมาก หรือมีฝุ่นมาก ให้ใช้เบรกเกอร์ป้องกันกระแสลัดวงจร (30 mA) เพื่อการใช้งานอย่างปลอดภัย
14. อย่าใช้เครื่องมือกับวัสดุที่มีแร่ใยหิน
15. อย่าสูดดมหรือสูดสารหล่อลื่นการขัด
16. พื้นที่ทำงานต้องมีกระแสระบายอากาศอย่างเพียงพอเมื่อคุณทำการขัด
17. วัสดุบางอย่างอาจมีสารเคมีที่เป็นพิษ ระวังอย่าสูดดมฝุ่นหรือให้สารเหล่านั้นสัมผัสกับร่างกาย ปฏิบัติตามข้อมูลด้านความปลอดภัยของผู้ผลิตวัสดุ
18. ใช้หน้ากากกันฝุ่น/คว้นพิษที่ถูกต้องกับวัสดุและการใช้งานที่คุณกำลังทำงานขัดในทุกๆ ครั้ง
19. ตรวจสอบให้แน่ใจว่าช่องระบายอากาศไม่มีสิ่งอุดตันเมื่อทำงานในสภาพแวดล้อมที่มีฝุ่นมาก หากจำเป็นต้องทำความสะอาดฝุ่น ให้ถอดปลั๊กก่อน (ใช้สิ่งที่ไม่ใช่โลหะ) เพื่อป้องกันความเสียหายภายใน
20. ต่อสายดินอย่างเหมาะสม ต้องเชื่อมต่อสายดินให้แก่เครื่องมือในขณะที่ใช้งานเพื่อป้องกันผู้ปฏิบัติงานจากการถูกไฟฟ้าดูด
21. สายไฟต่อ ใช้แต่สายไฟต่อแบบสามสายที่มีปลั๊กแบบสามขาและเต้ารับแบบสามรูเท่านั้น เปลี่ยนหรือซ่อมแซมสายไฟที่เสียหายหรือชำรุดในทันที

## ปฏิบัติตามคำแนะนำเหล่านี้

### คำอธิบายการทำงาน

#### ⚠️ ข้อควรระวัง:

- ตรวจสอบให้แน่ใจว่าสวิตช์เครื่องมืออยู่ในตำแหน่งปิดเครื่อง และถอดปลั๊กเครื่องมือออกก่อนปรับตั้งหรือตรวจสอบการทำงานของงานของเครื่องมือ

### การทำงานของสวิตช์ (ภาพที่ 1)

#### ⚠️ ข้อควรระวัง:

- ก่อนเสียบปลั๊กเครื่องมือ ให้ตรวจสอบว่าสวิตช์สั่งงานสามารถทำงานได้อย่างถูกต้อง และกลับไปยังตำแหน่ง "OFF" เมื่อปล่อย

เปิดใช้เครื่องมือโดยดึงสวิตช์สั่งงาน ปล่อยสวิตช์สั่งงานเพื่อหยุดทำงาน

ถ้าต้องการใช้งานอย่างต่อเนื่อง ดึงสวิตช์สั่งงานและกดปุ่มล็อก

ถ้าต้องการเลิกใช้งานเครื่องมือในตำแหน่งล็อก ให้ดึงสวิตช์สั่งงานจนสุด จากนั้นปล่อยสวิตช์

### แป้นระดับความเร็ว (ภาพที่ 2)

#### สำหรับรุ่น PV7001C เท่านั้น

สามารถเปลี่ยนความเร็วได้โดยการปรับแป้นปรับระดับไปยังหมายเลขต่าง ๆ 1 ถึง 5

คุณสามารถปรับความเร็วให้เร็วขึ้นได้โดยการหมุนไปทางหมายเลข 5 และปรับความเร็วให้ช้าลงได้โดยการหมุนปรับไปทางหมายเลข 1

โปรดดูตารางความสัมพันธ์ระหว่างระดับที่ปุ่มหมุนปรับและความเร็วโดยประมาณของเครื่องมือ

โปรดดูตารางความสัมพันธ์ระหว่างระดับที่ปุ่มหมุนปรับและความเร็วโดยประมาณของเครื่องมือ

หมายเลข	รอบต่อนาที (RPM)
1 - 2	600 - 800
2 - 3	800 - 1,300
3 - 4	1,300 - 1,800
4 - 5	1,800 - 2,000

C00040

#### ⚠️ ข้อควรระวัง:

- หากเครื่องมือถูกใช้งานที่ความเร็วต่ำอย่างต่อเนื่องเป็นเวลานานมอเตอร์จะเกิดการโอเวอร์โหลด ส่งผลให้เครื่องมือทำงานผิดปกติ
- ปุ่มหมุนปรับความเร็วสามารถหมุนไปจนสุดที่หมายเลข 5 และหมุนกลับจนถึงหมายเลข 1 อย่าฝืนหมุนเลขหมายเลข 5 หรือ 1 ไมเช่นนั้นฟังก์ชันการปรับความเร็วอาจไม่สามารถใช้งานได้อีกต่อไป

เครื่องมือที่มีฟังก์ชันอิเล็กทรอนิกส์ชนิดนี้ใช้งานได้ง่ายเนื่องจากคุณสมบัติดังต่อไปนี้

- การควบคุมความเร็วคงที่ด้วยระบบไฟฟ้า  
ช่วยให้ได้ผลงานที่ละเอียด เนื่องจากความเร็วในการหมุนเป็นไปอย่างคงที่และสม่ำเสมอแม้ว่าจะอยู่ในสภาวะที่มีภาระการทำงานก็ตาม
- คุณสมบัติซอฟต์แวร์ที่  
ซอฟต์แวร์ที่ป้องกันการป้องกันการเสถียรในการสแตร์ท

### ปุ่มตั้งความเร็วสูง-ต่ำ (ภาพที่ 3)

#### สำหรับรุ่น PV7001C เท่านั้น

สามารถเปลี่ยนความเร็วเครื่องมือได้ในขณะที่เครื่องมือกำลังทำงาน กดไปที่ตำแหน่ง "I" เพื่อความเร็วต่ำสุด และกดตำแหน่ง "II" สำหรับการตั้งค่าตามที่กำหนด

ไม่สามารถเปลี่ยนความเร็วของเครื่องมือได้เมื่อปุมอยู่ในตำแหน่ง "I" แม้คุณจะหมุนปุมปรับความเร็วก็ตาม เมื่อคุณหมุนปุมหมุนปรับความเร็ว โปรดตรวจสอบให้แน่ใจว่าได้กดปุมในตำแหน่ง "II"

## การประกอบ

### ⚠ ข้อควรระวัง:

- ตรวจสอบให้แน่ใจว่าสวิตช์เครื่องมืออยู่ในตำแหน่งปิดเครื่องมือ และถอดปลั๊กเครื่องมือออกก่อนดำเนินงานใดๆ กับเครื่องมือ

### การประกอบด้ามจับด้านข้าง (มือจับเสริม) และฝาปิด (ภาพที่ 4 และภาพที่ 5)

#### ⚠ ข้อควรระวัง:

- ตรวจสอบให้แน่ใจทุกครั้งว่าด้ามจับด้านข้างติดตั้งอยู่อย่างมั่นคงก่อนที่จะทำงาน

ติดตั้งฝาปิดแล้วขันด้ามจับด้านข้างเข้ากับเครื่องมือให้แน่นหนา สามารถติดตั้งด้ามจับด้านข้างและฝาปิดเข้ากับด้านใดก็ได้ของเครื่องมือ

### การติดตั้งหรือถอดแผ่นหลัง (ภาพที่ 6)

ใช้ประแจยึดแกนหมุนไว้เพื่อให้ไม่สามารถหมุนได้ แล้วขันแผ่นเข้ากับแกนหมุนจนสุด (สามารถใช้แผ่นเพื่อติดตั้งแผ่นฟองน้ำอุปกรณ์เสริมได้)

เมื่อต้องการถอดแผ่น ให้ปฏิบัติย้อนขั้นตอนการติดตั้ง

### การติดตั้งหรือถอดแผ่นฟองน้ำ (ภาพที่ 7)

วิธีการติดตั้งแผ่นฟองน้ำ ขั้นแรกให้ทำความสะอาดฝุ่นหรือสิ่งแปลกปลอมออกจากแผ่น ติดตั้งแผ่นฟองน้ำเข้ากับแผ่น

วิธีการถอดแผ่น ให้ดึงออกข้างๆ

### การติดตั้งหรือการถอดลูกชัตตวนแคะ

ติดตั้งแผ่นยางเข้ากับแกนหมุน ชันน็อตล็อกเข้ากับแกนหมุน

#### (ภาพที่ 8)

วิธีการขันแน่นน็อตล็อก ให้ใช้ประแจจับแกนหมุนไว้แล้วใช้ประแจ

ขันน็อตล็อกชัตตวนแคะเข้ามาพิงก้านให้แน่น (ภาพที่ 9)

ติดตั้งลูกชัตตวนแคะเข้ากับแผ่นยางให้สนิทแล้วดึงสายให้แน่น ผูกเงื่อนแบบโบว์แล้วเก็บเงื่อนและสายเข้าไว้ระหว่างลูกชัตตวนแคะ

และแผ่นยาง (ภาพที่ 10)

เมื่อต้องการถอดลูกชัตตวนแคะ ให้ปฏิบัติย้อนขั้นตอนการติดตั้ง

### การติดตั้งหรือถอดจานขัด

#### หมายเหตุ:

- ใช้แปดอุปกรณ์ขัดที่ระบุคู่มือการใช้งานฉบับนี้เท่านั้น ซึ่งจะต้องซื้อแยกต่างหาก

ติดตั้งแผ่นยางเข้ากับแกนหมุน ติดตั้งจานขัดเข้ากับแผ่นยางแล้ว

ขันน็อตล็อกเข้ากับแกนหมุน (ภาพที่ 11)

วิธีการขันแน่นน็อตล็อก ให้ใช้ประแจจับแกนหมุนไว้แล้วใช้ประแจขันน็อตล็อกชัตตวนแคะเข้ามาพิงก้านให้แน่น (ภาพที่ 12) เมื่อต้องการถอดจาน ให้ปฏิบัติย้อนขั้นตอนการติดตั้ง

## การใช้งาน

### การขัดโดยใช้แผ่นฟองน้ำ (ภาพที่ 13)

#### ⚠ ข้อควรระวัง:

- สวมแว่นตานิรภัยหรือหน้ากากป้องกันใบหน้าเสมอเมื่อปฏิบัติงาน

โดยทั่วๆ ไป ให้เอียงแผ่นฟองน้ำให้ทำมุมกับชิ้นงาน 15 องศา

### การขัดโดยใช้ลูกชัตตวนแคะ (ภาพที่ 14)

#### ⚠ ข้อควรระวัง:

- สวมแว่นตานิรภัยหรือหน้ากากป้องกันใบหน้าเสมอเมื่อปฏิบัติงาน

จับเครื่องมือให้แน่น เปิดเครื่องมือแล้วใช้ลูกชัตตวนแคะกับชิ้นงาน โดยทั่วๆ ไป ให้เอียงลูกชัตตวนแคะให้ทำมุมกับชิ้นงาน 15 องศา ใช้แรงกดเล็กน้อยเท่านั้น การใช้แรงกดมากเกินไปจะทำให้ประสิทธิภาพการทำงานลดลงและทำให้ลูกชัตตวนแคะสึกหรออย่างรวดเร็ว

### การขัด (ภาพที่ 15)

#### ⚠ ข้อควรระวัง:

- สวมแว่นตานิรภัยหรือหน้ากากป้องกันใบหน้าเสมอเมื่อปฏิบัติงาน
- อย่าเปิดเครื่องมือในขณะที่สัมผัสกับชิ้นงาน เนื่องจากอาจทำให้ผู้ปฏิบัติงานบาดเจ็บได้
- อย่าเปิดเครื่องมือโดยไม่มีจานขัด เนื่องจากอาจทำให้แผ่นเสียหายอย่างรุนแรงได้

จับเครื่องมือให้แน่น เปิดเครื่องมือแล้วใช้จานขัดกับชิ้นงาน โดยทั่วๆ ไป ความเอียงจานขัดให้ทำมุมกับชิ้นงาน 15 องศา ใช้แรงกดเล็กน้อยเท่านั้น การใช้แรงกดมากเกินไปจะทำให้ประสิทธิภาพการทำงานลดลงและทำให้จานขัดสึกหรออย่างรวดเร็ว

## การบำรุงรักษา

#### ⚠ ข้อควรระวัง:

- ตรวจสอบให้แน่ใจว่าได้ปิดสวิตช์เครื่องมือและถอดปลั๊กออกก่อนทำการตรวจสอบหรือบำรุงรักษา

### การเปลี่ยนแปลงคาร์บอน

ถอดแปรงคาร์บอนออกมาตรวจสอบเป็นประจำ เปลี่ยนแปรงคาร์บอนเมื่อสึกหรองถึงขีดจำกัด รักษาแปรงคาร์บอนให้สะอาด และอย่าให้แปรงคาร์บอนหลุดเข้าไปในที่ยึด ควรเปลี่ยนแปลง

คาร์บอนทั้งสองแปร่งพร้อมกัน ใช้แปรงคาร์บอนที่กำหนดเท่านั้น

(ภาพที่ 16)

ใช้ไขควงเพื่อถอดฝาปิดที่ยึดแปรงออก นำแปรงคาร์บอนที่สึกหรอออกมา ใส่แปรงคาร์บอนใหม่เข้าไป และปิดฝาปิดที่ยึดแปรงให้แน่น

(ภาพที่ 17)

เพื่อความปลอดภัยและความน่าเชื่อถือของผลิตภัณฑ์ ควรให้ศูนย์บริการที่ผ่านการรับรองจาก Makita เป็นผู้ดำเนินการซ่อมแซมบำรุงรักษา และทำการปรับตั้งอื่นๆ นอกจากนี้ให้ใช้อะไหล่ของแท้จาก Makita เสมอ

## อุปกรณ์เสริม

### ⚠️ ข้อควรระวัง:

- ขอแนะนำให้ใช้เฉพาะอุปกรณ์เสริมหรืออุปกรณ์ต่อพ่วงเหล่านี้กับเครื่องมือ Makita ที่ระบุในคู่มือ การใช้อุปกรณ์เสริมหรืออุปกรณ์ต่อพ่วงอื่นๆ อาจมีความเสี่ยงที่จะได้รับบาดเจ็บ ใช้ อุปกรณ์เสริมหรืออุปกรณ์ต่อพ่วงตามวัตถุประสงค์ที่ระบุไว้เท่านั้น

หากคุณต้องการทราบรายละเอียดเกี่ยวกับอุปกรณ์เสริมเหล่านี้ โปรดสอบถามศูนย์บริการ Makita ใกล้บ้านคุณ

- แผ่นฟองน้ำ (แบบมีรู)
- แผ่นหลัง (แบบมีรู)
- จานขัด
- ลูกขัดขนแกะ 180
- แผ่นยาง 170
- น็อตล็อก 48
- ไขควงเกลียวล็อก 28
- ประแจ 17
- ด้ามจับด้านข้าง (มือจับเสริม)

### หมายเหตุ:

- อุปกรณ์บางรายการอาจรวมอยู่ในชุดอุปกรณ์พื้นฐานของผลิตภัณฑ์ ซึ่งอาจแตกต่างกันไปในแต่ละประเทศ



**Makita Corporation**  
3-11-8, Sumiyoshi-cho,  
Anjo, Aichi 446-8502 Japan  
[www.makita.com](http://www.makita.com)

884355A376

TRD