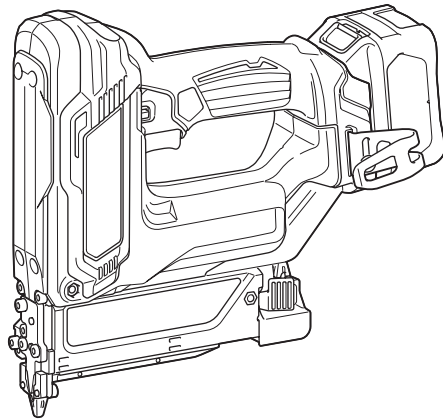




EN	Cordless Pin Nailer	INSTRUCTION MANUAL	5
ZHCN	充电式钉枪	使用说明书	12
ID	Mesin Penembak Paku Pin Berdaya Baterai	PETUNJUK PENGGUNAAN	19
VI	Máy Bán Đinh chạy pin	TÀI LIỆU HƯỚNG DẪN	27
TH	เครื่องยิงตะปูเข็มไร้สาย	คู่มือการใช้งาน	34

PT354D



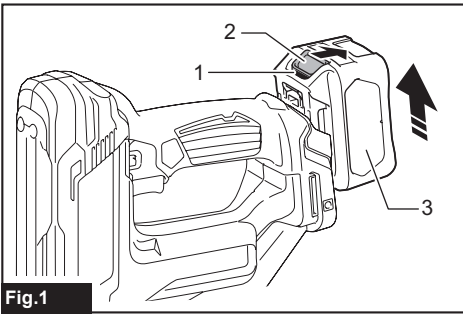


Fig.1

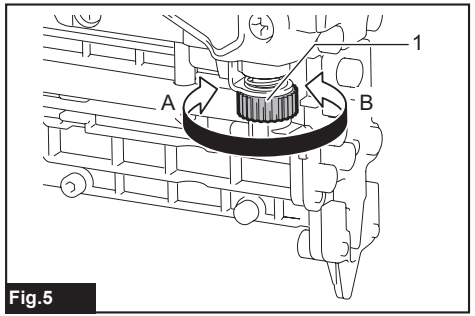


Fig.5

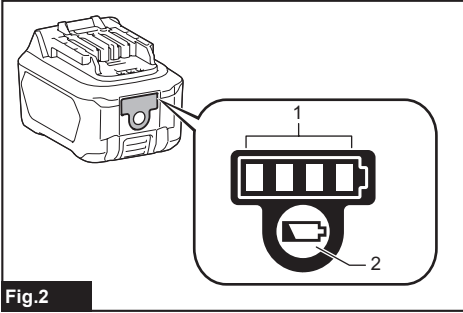


Fig.2

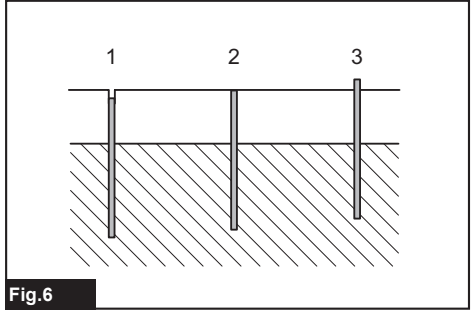


Fig.6

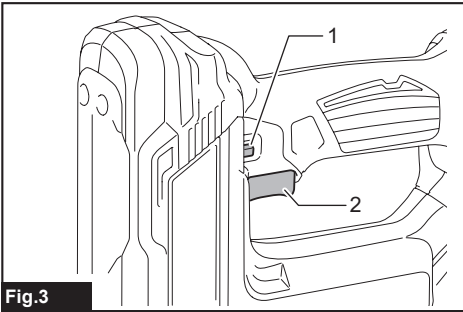


Fig.3

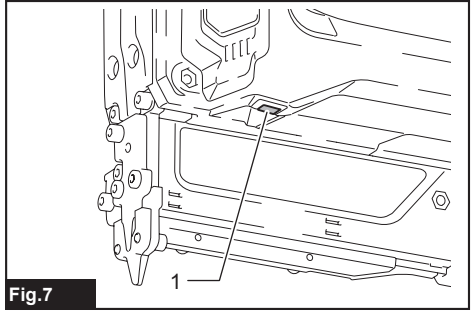


Fig.7

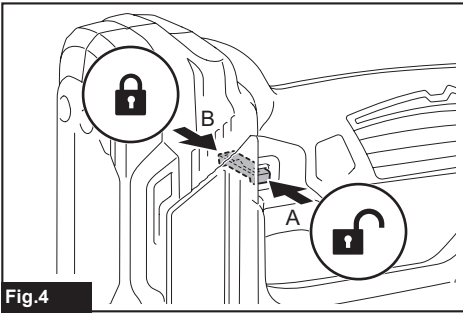


Fig.4

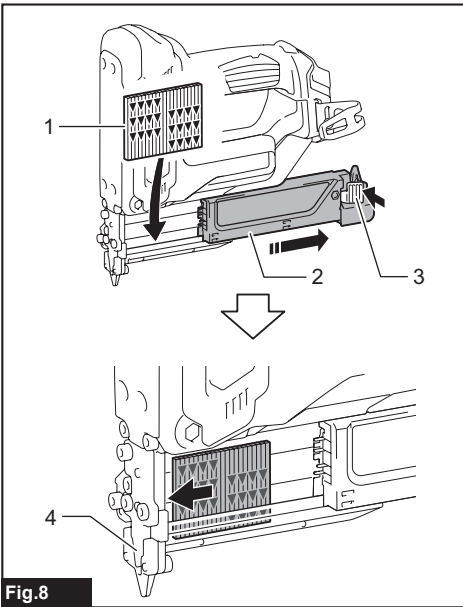


Fig. 8

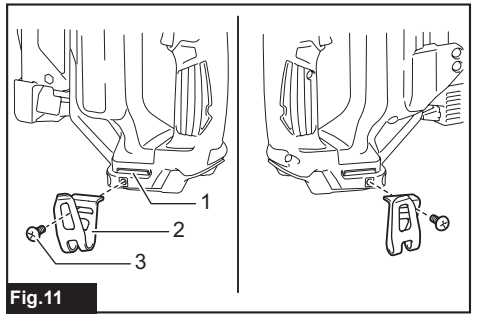


Fig. 11

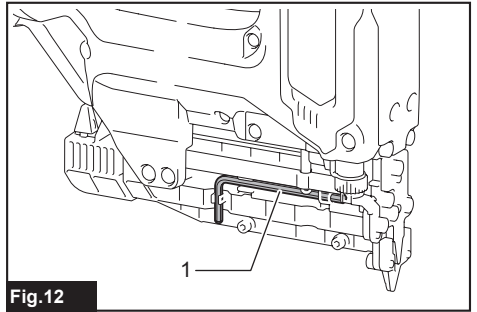


Fig. 12

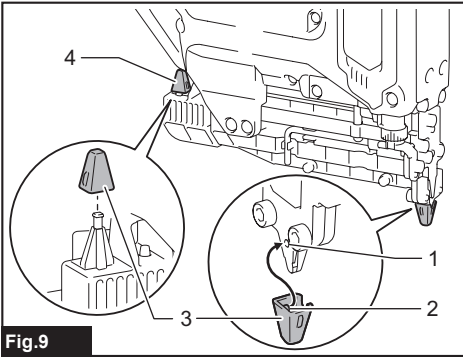


Fig. 9

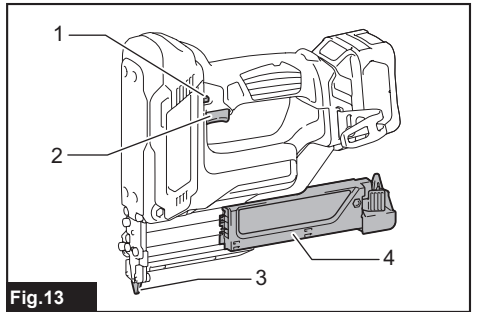


Fig. 13

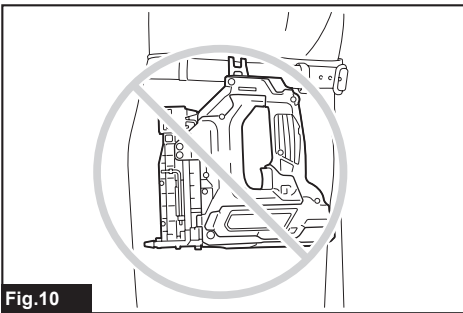


Fig. 10

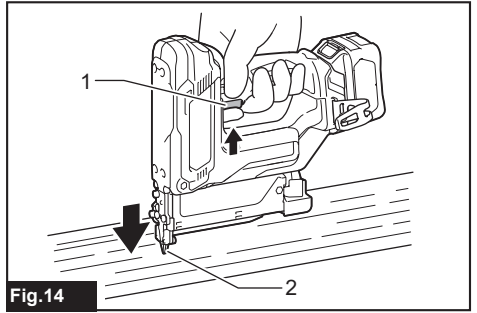


Fig. 14

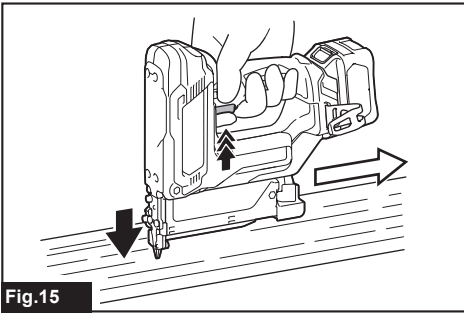


Fig.15

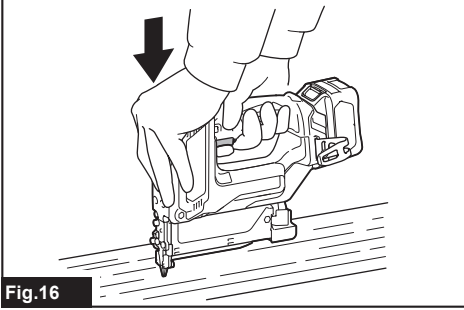


Fig.16

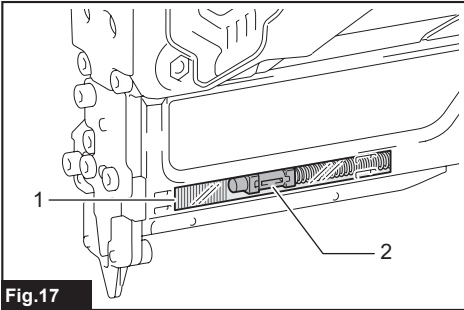


Fig.17

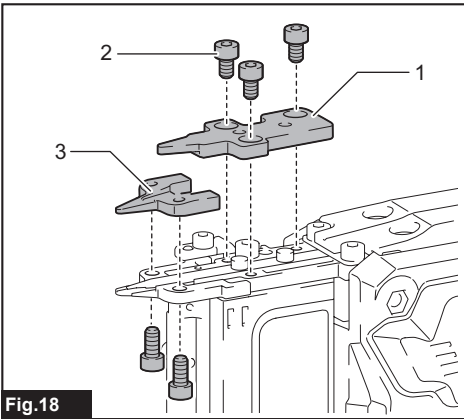


Fig.18



SPECIFICATIONS

Model:	PT354D	
Pin nail size	ø0.6 mm x 15, 18, 25, 30, 35 mm	
Pin nail magazine capacity	100 pcs.	
Dimensions without hook (L x W x H)	231 mm x 80 mm x 226 mm	
Rated voltage	D.C. 10.8 V - 12 V max	
Battery cartridge	BL1015, BL1016, BL1020B, BL1021B	BL1040B, BL1041B
Net weight	1.8 kg	2.0 kg

- Due to our continuing program of research and development, the specifications herein are subject to change without notice.
- Specifications and battery cartridge may differ from country to country.
- The weight may differ depending on the attachment(s), including the battery cartridge. The lightest and heaviest combinations, according to EPTA-Procedure 01/2014, are shown in the table.

Symbols

The followings show the symbols used for the equipment. Be sure that you understand their meaning before use.

	Read instruction manual.
	<p>Only for EU countries Do not dispose of electric equipment or battery pack together with household waste material! In observance of the European Directives, on Waste Electric and Electronic Equipment and Batteries and Accumulators and Waste Batteries and Accumulators and their implementation in accordance with national laws, electric equipment and batteries and battery pack(s) that have reached the end of their life must be collected separately and returned to an environmentally compatible recycling facility.</p>

Intended use

The tool is intended for pressing pin nails into construction materials such as timbers.

SAFETY WARNINGS

General power tool safety warnings

⚠ WARNING: Read all safety warnings and all instructions. Failure to follow the warnings and instructions may result in electric shock, fire and/or serious injury.

Save all warnings and instructions for future reference.

The term "power tool" in the warnings refers to your mains-operated (corded) power tool or battery-operated (cordless) power tool.

Work area safety

1. **Keep work area clean and well lit.** Cluttered or dark areas invite accidents.
2. **Do not operate power tools in explosive atmospheres, such as in the presence of flammable liquids, gases or dust.** Power tools create sparks which may ignite the dust or fumes.
3. **Keep children and bystanders away while operating a power tool.** Distractions can cause you to lose control.

Electrical Safety

1. **Power tool plugs must match the outlet. Never modify the plug in any way. Do not use any adapter plugs with earthed (grounded) power tools.** Unmodified plugs and matching outlets will reduce risk of electric shock.
2. **Avoid body contact with earthed or grounded surfaces, such as pipes, radiators, ranges and refrigerators.** There is an increased risk of electric shock if your body is earthed or grounded.
3. **Do not expose power tools to rain or wet conditions.** Water entering a power tool will increase the risk of electric shock.
4. **Do not abuse the cord. Never use the cord for carrying, pulling or unplugging the power tool. Keep cord away from heat, oil, sharp edges or moving parts.** Damaged or entangled cords increase the risk of electric shock.
5. **When operating a power tool outdoors, use an extension cord suitable for outdoor use.** Use of a cord suitable for outdoor use reduces the risk of electric shock.
6. **If operating a power tool in a damp location is unavoidable, use a residual current device (RCD) protected supply.** Use of an RCD reduces the risk of electric shock.

Personal Safety

1. **Stay alert, watch what you are doing and use common sense when operating a power tool. Do not use a power tool while you are tired or under the influence of drugs, alcohol or medication.** A moment of inattention while operating power tools may result in serious personal injury.
2. **Use personal protective equipment. Always wear eye protection.** Protective equipment such as a dust mask, non-skid safety shoes, hard hat or hearing protection used for appropriate conditions will reduce personal injuries.
3. **Prevent unintentional starting. Ensure the switch is in the off-position before connecting to power source and/or battery pack, picking up or carrying the tool.** Carrying power tools with your finger on the switch or energising power tools that have the switch on invites accidents.
4. **Remove any adjusting key or wrench before turning the power tool on.** A wrench or a key left attached to a rotating part of the power tool may result in personal injury.
5. **Do not overreach. Keep proper footing and balance at all times.** This enables better control of the power tool in unexpected situations.
6. **Dress properly. Do not wear loose clothing or jewellery. Keep your hair, clothing, and gloves away from moving parts.** Loose clothes, jewellery or long hair can be caught in moving parts.
7. **If devices are provided for the connection of dust extraction and collection facilities, ensure these are connected and properly used.** Use of dust collection can reduce dust-related hazards.

Power tool use and care

1. **Do not force the power tool. Use the correct power tool for your application.** The correct power tool will do the job better and safer at the rate for which it was designed.
2. **Do not use the power tool if the switch does not turn it on and off.** Any power tool that cannot be controlled with the switch is dangerous and must be repaired.
3. **Disconnect the plug from the power source and/or the battery pack from the power tool before making any adjustments, changing accessories, or storing power tools.** Such preventive safety measures reduce the risk of starting the power tool accidentally.
4. **Store idle power tools out of the reach of children and do not allow persons unfamiliar with the power tool or these instructions to operate the power tool.** Power tools are dangerous in the hands of untrained users.
5. **Maintain power tools. Check for misalignment or binding of moving parts, breakage of parts and any other condition that may affect the power tool's operation. If damaged, have the power tool repaired before use.** Many accidents are caused by poorly maintained power tools.
6. **Keep cutting tools sharp and clean.** Properly maintained cutting tools with sharp cutting edges are less likely to bind and are easier to control.

7. **Use the power tool, accessories and tool bits etc. in accordance with these instructions, taking into account the working conditions and the work to be performed.** Use of the power tool for operations different from those intended could result in a hazardous situation.

Battery tool use and care

1. **Recharge only with the charger specified by the manufacturer.** A charger that is suitable for one type of battery pack may create a risk of fire when used with another battery pack.
2. **Use power tools only with specifically designated battery packs.** Use of any other battery packs may create a risk of injury and fire.
3. **When battery pack is not in use, keep it away from other metal objects, like paper clips, coins, keys, nails, screws or other small metal objects, that can make a connection from one terminal to another.** Shorting the battery terminals together may cause burns or a fire.
4. **Under abusive conditions, liquid may be ejected from the battery; avoid contact. If contact accidentally occurs, flush with water. If liquid contacts eyes, additionally seek medical help.** Liquid ejected from the battery may cause irritation or burns.

Service

1. **Have your power tool serviced by a qualified repair person using only identical replacement parts.** This will ensure that the safety of the power tool is maintained.
2. **Follow instruction for lubricating and changing accessories.**
3. **Keep handles dry, clean and free from oil and grease.**

Cordless nailer safety warnings

1. **Always assume that the tool contains fasteners.** Careless handling of the nailer can result in unexpected firing of fasteners and personal injury.
2. **Do not point the tool towards yourself or anyone nearby.** Unexpected triggering will discharge the fastener causing an injury.
3. **Do not actuate the tool unless the tool is placed firmly against the workpiece.** If the tool is not in contact with the workpiece, the fastener may be deflected away from your target.
4. **Disconnect the tool from the power source when the fastener jams in the tool.** While removing a jammed fastener, the nailer may be accidentally activated if it is plugged in.
5. **Use caution while removing a jammed fastener.** The mechanism may be under compression and the fastener may be forcefully discharged while attempting to free a jammed condition.
6. **Do not use this nailer for fastening electrical cables.** It is not designed for electric cable installation and may damage the insulation of electric cables thereby causing electric shock or fire hazards.

7. Always wear safety glasses to protect your eyes from dust or fastener injury.
⚠WARNING: It is an employer's responsibility to enforce the use of safety eye protection equipment by the tool operators and by other persons in the immediate working area.
8. Keep hands and feet away from the ejection port area.
9. Follow instruction for lubricating and changing accessories.
10. Always remove the battery cartridge before loading the fasteners, adjustment, inspection, maintenance or after operation is over.
11. Make sure no one is nearby before operation. Never attempt to drive fasteners from both the inside and outside of wall at the same time. Fasteners may rip through and/or fly off, presenting a grave danger.
12. Watch your footing and maintain your balance with the tool. Make sure there is no one below when working in high locations.
13. Never use fastener driving tools marked with the symbol "Do not use on scaffoldings, ladders" for specific application for example:
 - when changing one driving location to another involves the use of scaffoldings, stairs, ladders, or ladder alike constructions, e.g. roof laths;
 - closing boxes or crates;
 - fitting transportation safety systems e.g. on vehicles and wagons.
14. Check walls, ceilings, floors, roofing and the like carefully to avoid possible electrical shock, gas leakage, explosions, etc. caused by stapling into live wires, conduits or gas pipes.
15. Use only fasteners specified in this manual. The use of any other fasteners may cause malfunction of the tool.
16. Do not tamper with the tool or attempt to use it for other than driving fasteners.
17. Do not operate the tool without fasteners. It shortens the service life of the tool.
18. Stop driving operations immediately if you notice something wrong or out of the ordinary with the tool.
19. Never fasten into any materials which may allow the fastener to puncture and fly through as a projectile.
20. Never actuate the switch trigger and contact element at the same time until you are prepared to fasten workpieces. Allow the workpiece to depress the contact element. Never defeat its purpose by securing the contact element back or by depressing it by hand.
21. Never tamper with the contact element. Check the contact element frequently for proper operations.
22. Always remove fasteners from the tool when not in use.

SAVE THESE INSTRUCTIONS.

⚠WARNING: DO NOT let comfort or familiarity with product (gained from repeated use) replace strict adherence to safety rules for the subject product. MISUSE or failure to follow the safety rules stated in this instruction manual may cause serious personal injury.

Important safety instructions for battery cartridge

1. Before using battery cartridge, read all instructions and cautionary markings on (1) battery charger, (2) battery, and (3) product using battery.
2. Do not disassemble battery cartridge.
3. If operating time has become excessively shorter, stop operating immediately. It may result in a risk of overheating, possible burns and even an explosion.
4. If electrolyte gets into your eyes, rinse them out with clear water and seek medical attention right away. It may result in loss of your eyesight.
5. Do not short the battery cartridge:
 - (1) Do not touch the terminals with any conductive material.
 - (2) Avoid storing battery cartridge in a container with other metal objects such as nails, coins, etc.
 - (3) Do not expose battery cartridge to water or rain.

A battery short can cause a large current flow, overheating, possible burns and even a breakdown.
6. Do not store the tool and battery cartridge in locations where the temperature may reach or exceed 50 °C (122 °F).
7. Do not incinerate the battery cartridge even if it is severely damaged or is completely worn out. The battery cartridge can explode in a fire.
8. Be careful not to drop or strike battery.
9. Do not use a damaged battery.
10. The contained lithium-ion batteries are subject to the Dangerous Goods Legislation requirements.

For commercial transports e.g. by third parties, forwarding agents, special requirement on packaging and labeling must be observed. For preparation of the item being shipped, consulting an expert for hazardous material is required. Please also observe possibly more detailed national regulations.

Tape or mask off open contacts and pack up the battery in such a manner that it cannot move around in the packaging.
11. When disposing the battery cartridge, remove it from the tool and dispose of it in a safe place. Follow your local regulations relating to disposal of battery.
12. Use the batteries only with the products specified by Makita. Installing the batteries to non-compliant products may result in a fire, excessive heat, explosion, or leak of electrolyte.

13. If the tool is not used for a long period of time, the battery must be removed from the tool.

SAVE THESE INSTRUCTIONS.

CAUTION: Only use genuine Makita batteries. Use of non-genuine Makita batteries, or batteries that have been altered, may result in the battery bursting causing fires, personal injury and damage. It will also void the Makita warranty for the Makita tool and charger.

Tips for maintaining maximum battery life

1. Charge the battery cartridge before completely discharged. Always stop tool operation and charge the battery cartridge when you notice less tool power.
2. Never recharge a fully charged battery cartridge. Overcharging shortens the battery service life.
3. Charge the battery cartridge with room temperature at 10 °C - 40 °C (50 °F - 104 °F). Let a hot battery cartridge cool down before charging it.

FUNCTIONAL DESCRIPTION

CAUTION: Always be sure that the tool is switched off and the battery cartridge is removed before adjusting or checking function on the tool.

Installing or removing battery cartridge

CAUTION: Always switch off the tool before installing or removing of the battery cartridge.

CAUTION: Hold the tool and the battery cartridge firmly when installing or removing battery cartridge. Failure to hold the tool and the battery cartridge firmly may cause them to slip off your hands and result in damage to the tool and battery cartridge and a personal injury.

► Fig.1: 1. Red indicator 2. Button 3. Battery cartridge

To remove the battery cartridge, slide it from the tool while sliding the button on the front of the cartridge.

To install the battery cartridge, align the tongue on the battery cartridge with the groove in the housing and slip it into place. Insert it all the way until it locks in place with a little click. If you can see the red indicator on the upper side of the button, it is not locked completely.

CAUTION: Always install the battery cartridge fully until the red indicator cannot be seen. If not, it may accidentally fall out of the tool, causing injury to you or someone around you.

CAUTION: Do not install the battery cartridge forcibly. If the cartridge does not slide in easily, it is not being inserted correctly.

Battery protection system

The tool is equipped with a battery protection system. This system automatically cuts off power to the motor to extend battery life.

The tool will automatically stop during operation if the tool and/or battery are placed under one of the following conditions:

Overloaded:

The tool is operated in a manner that causes it to draw an abnormally high current.

In this situation, turn the tool off and stop the application that caused the tool to become overloaded. Then turn the tool on to restart.

If the tool does not start, the battery is overheated. In this situation, let the battery cool before turning the tool on again.

Low battery voltage:

The remaining battery capacity is too low and the tool will not operate. If you turn the tool on, the motor does not run or the motor runs again but stops soon. In this situation, remove and recharge the battery.

Indicating the remaining battery capacity

Only for battery cartridges with the indicator

► Fig.2: 1. Indicator lamps 2. Check button

Press the check button on the battery cartridge to indicate the remaining battery capacity. The indicator lamps light up for a few seconds.

Indicator lamps		Remaining capacity
Lighted	Off	
■ ■ ■ ■	□	75% to 100%
■ ■ ■ □	□	50% to 75%
■ ■ □ □	□	25% to 50%
■ □ □ □	□	0% to 25%

NOTE: Depending on the conditions of use and the ambient temperature, the indication may differ slightly from the actual capacity.

Trigger-lock button

⚠ CAUTION: Before installing the battery cartridge into the tool, always check to see that the switch trigger actuates properly and returns to the “OFF” position when released.

⚠ CAUTION: When not operating the tool, depress the trigger-lock button from B side to lock the switch trigger in the OFF position.

► Fig.3: 1. Trigger-lock button 2. Switch trigger

► Fig.4

To prevent the switch trigger from accidentally pulled, the trigger-lock button is provided.

To pull the switch trigger, depress the trigger-lock button from A side.

After use, always press in the trigger-lock button from B side.

Adjusting the depth of pin-nailing

⚠ WARNING: Always make sure that your fingers are not placed on the switch trigger or the contact element and the battery cartridge is removed before adjusting the depth of nailing.

Depth of pin-nailing can be adjusted on this pin nailer.

To adjust the depth of nailing, turn the adjuster. The depth of nailing is the deepest when the adjuster is turned fully in the A direction shown in the figure. It will become shallower as the adjuster is turned in the B direction. Depth can be adjusted 1.5 mm to the maximum.

► Fig.5: 1. Adjuster

► Fig.6: 1. Too deep 2. Flush 3. Too shallow

Lighting up the lamp

⚠ CAUTION: Do not look in the light or see the source of light directly.

Pull the switch trigger or actuate the contact element to light up the lamp. The lamp keeps on lighting while pulling the switch trigger or actuating the contact element. The lamp goes out approximately 10 seconds after releasing the switch trigger and the contact element.

► Fig.7: 1. Lamp

NOTE: Use a dry cloth to wipe the dirt off the lens of the lamp. Be careful not to scratch the lens of lamp, or it may lower the illumination.

NOTE: Even in the lamp lights up when the battery power residual gets small, pin nailer may not fire pin nails. In this case, charge the battery cartridge.

ASSEMBLY

⚠ CAUTION: Always make sure that your fingers are not placed on the switch trigger or the contact element and the battery cartridge is removed before carrying out any work on the pin nailer.

Loading the pin nailer

⚠ CAUTION: Always make sure that the battery cartridge is removed before loading the pin nailer. Unintentional firing may cause personal injuries and property damage.

⚠ CAUTION: Do not abruptly slide the magazine of the pin nailer loaded with pin nails. Accidentally dropping pin nails especially when working in high places may cause personal injuries.

⚠ CAUTION: Load pin nails in the correct direction. Loading in wrong direction may cause premature wear and tear of the driver and damage of the other parts.

⚠ CAUTION: Do not use deformed connected pin nails. Use pin nails specified in this manual. Using pin nails other than those specified may cause pin nail jamming and breakage of the pin nailer.

1. Remove the battery cartridge.
 2. Press the locking lever and slide the magazine backward.
 3. Align the tip of pin nails with the grooves at the bottom of the magazine and push the whole part of pin nails toward the driver guide. (Be careful to place pin nails in the right direction.)
- Fig.8: 1. Pin nails 2. Magazine 3. Locking lever
4. Driver guide
4. After loading pin nails, push back the magazine in place until it clicks.

To remove pin nails, follow the installation procedures in reverse.

Nose adapter

⚠ CAUTION: Always make sure that your fingers are not placed on the switch trigger or the contact element and the battery cartridge is removed before installing the nose adapter.

When firing pin nails on the material with easily-marred surfaces, use the nose adapter. To install the nose adapter, place it over the driver guide cover so that the protrusion inside the nose adapter fits to the dent in the driver guide cover.

You can store the nose adapter on the holder on the back end of the magazine to keep it from being lost.

- Fig.9: 1. Dent 2. Protrusion 3. Nose adapter
4. Holder

Hook

⚠ CAUTION: Do not hang the hook from the waist belt. Dropping the pin nailer, which is caused by the hook accidentally coming out of place, may cause unintentional firing and result in personal injuries.

► Fig.10

The hook is convenient for temporarily hanging the tool. This can be installed on either side of the tool.

To install the hook, insert it into a groove in the tool housing on either side and then secure it with a screw.

To remove, loosen the screw and then take it out.

► Fig.11: 1. Groove 2. Hook 3. Screw

Hex wrench storage

When not in use, store the hex wrench as shown in the figure to keep it from being lost.

► Fig.12: 1. Hex wrench

OPERATION

Testing the safety system

⚠ WARNING: Make sure all safety systems are in working order before operation. Failure to do so may cause personal injuries.

► Fig.13: 1. Trigger-lock button 2. Switch trigger 3. Contact element 4. Magazine

Test safety systems for possible fault before operation as follows.

1. Unload pin nails from the tool and keep the magazine opened.
2. Install the battery cartridge and release the trigger lock.
3. Only pull the switch trigger without touching the contact element against the material.
4. Only touch the contact element against the material without pulling the switch trigger.

If the tool operates in the case of 3 and 4 above, the safety systems are faulty. Stop using the tool immediately and ask your local service center.

Driving pin nails

⚠ WARNING: Continue to place the contact element firmly on the material until the pin nail is driven completely. Unintentional firing may cause personal injuries.

1. Release the trigger lock.
2. Place flat the contact element on the material.
3. Pull the switch trigger fully to drive a pin nail.
4. To drive the next pin nail, release your finger from the switch trigger once, and then repeat the step 2 and 3 above.

► Fig.14: 1. Switch trigger 2. Contact element

You can also drive the pin nails when dragging the tool to the next area with the contact element pressed against the material and pulling the switch trigger.

► Fig.15

If the head of the pin nail remains above the workpiece surface, drive the pin nail while holding the pin nailer head firmly against the workpiece.

► Fig.16

NOTE: If the head of the pin nail still remains above the workpiece even you hold the pin nail head, the material may not be suitable for the pin nailer. Continuing to use the pin nailer on such material may result in a damage to the driver of the pin nailer and/or pin nailer jamming.

Anti dry fire mechanism

⚠ WARNING: Always make sure that your fingers are not placed on the switch trigger or the contact element and the battery cartridge is removed before loading the pin nailer.

When the number of remaining pin nails in the magazine are 0 - 3 pieces, the switch trigger can no longer be pulled. At this time, insert a new strip of pin nails in the magazine and the switch trigger can be pulled again.

NOTE: When firing a different length of pin nails shortly after the anti-dry firing device has actuated, insert a new strip of pin nails into the magazine and fire away all the prior pin nails that have remained on junk material.

Checking remaining pin nails

You can check the amount of remaining pin nails through the sight window.

The red indicator moves toward fastening opening with the amount of remaining pin nails become smaller.

► Fig.17: 1. Sight window 2. Indicator

Removing jammed pin nails

⚠ WARNING: Always make sure that the battery cartridge is removed before removing jammed pin nails.

Take out pin nails that remain inside the magazine.

Remove three screws with the hex wrench that are securing the driver guide cover.

Take the jammed nails from the nail guide groove that has appeared.

When it is difficult to take out the jammed nails, further remove two screws with the hex wrench that are securing the contact top cover. Then take them out.

► **Fig.18:** 1. Driver guide cover 2. Screw 3. Contact top cover

MAINTENANCE

⚠ CAUTION: Always be sure that the tool is switched off and the battery cartridge is removed before attempting to perform inspection or maintenance.

NOTICE: Never use gasoline, benzine, thinner, alcohol or the like. Discoloration, deformation or cracks may result.

To maintain product SAFETY and RELIABILITY, repairs, any other maintenance or adjustment should be performed by Makita Authorized or Factory Service Centers, always using Makita replacement parts.

OPTIONAL ACCESSORIES

⚠ CAUTION: These accessories or attachments are recommended for use with your Makita tool specified in this manual. The use of any other accessories or attachments might present a risk of injury to persons. Only use accessory or attachment for its stated purpose.

If you need any assistance for more details regarding these accessories, ask your local Makita Service Center.

- Pin nails
- Makita genuine battery and charger
- Safety goggles

NOTE: Some items in the list may be included in the tool package as standard accessories. They may differ from country to country.

规格

型号:	PT354D	
销钉规格	ø0.6 mm x 15, 18, 25, 30, 35 mm	
销钉盒容量	100个	
无挂钩尺寸 (长x宽x高)	231 mm × 80 mm × 226 mm	
额定电压	D.C. 10.8 V - 12 V (最大)	
电池组	BL1015, BL1016, BL1020B, BL 1021B	BL1040B, BL1041B
净重	1.8 kg	2.0 kg

- 生产者保留变更规格不另行通知之权利。
- 规格和电池组可能因销往国家之不同而异。
- 重量因附件（包括电池组）而异。根据EPTA-Procedure 01/2014，最重与最轻的组合见表格。

符号

以下显示本工具使用的符号。在使用工具之前请务必理解其含义。



阅读使用说明书。



仅限于欧盟国家
请勿将电气设备或电池组与家庭普通废弃物一同丢弃！
请务必遵守欧洲关于废弃电子电气设备、电池和蓄电池以及废弃电池和蓄电池的指令并根据法律法规执行。达到使用寿命的电气设备和电池组必须分类回收至符合环境保护规定的再循环机构。

用途

本工具用于将销钉钉入木材等建筑材料。

安全警告

电动工具通用安全警告

警告： 阅读所有警告和所有说明。不遵照以下警告和说明会导致电击、着火和 / 或严重伤害。

保存所有警告和说明书以备查阅。

在所有下列的警告中术语“电动工具”指市电驱动（有线）电动工具或电池驱动（无线）电动工具。

工作场地的安全

1. 保持工作场地清洁和明亮。混乱和黑暗的场地会引发事故。
2. 不要在易爆环境，如有易燃液体、气体或粉尘的环境下操作电动工具。电动工具产生的火花会点燃粉尘或气体。
3. 让儿童和旁观者离开后操作电动工具。注意力不集中会使操作者失去对工具的控制。

电气安全

1. 电动工具插头必须与插座相配。绝不能以任何方式改装插头。需接地的电动工具不能使用任何转换插头。未经改装的插头和相配的插座将减少电击危险。
2. 避免人体接触接地表面，如管道、散热片和冰箱。如果你身体接地会增加电击危险。
3. 不得将电动工具暴露在雨中或潮湿环境中。水进入电动工具将增加电击危险。
4. 不得滥用电线。绝不能用电线搬运、拉动电动工具或拔出其插头。使电线远离热源、油、锐边或运动部件。受损或缠绕的软线会增加电击危险。

5. 当在户外使用电动工具时，使用适合户外使用的外接软线。适合户外使用的软线将减少电击危险。
6. 如果在潮湿环境下操作电动工具是不可避免的，应使用剩余电流动作保护器（RCD）。使用RCD可减小电击危险。

人身安全

1. 保持警觉，当操作电动工具时关注所从事的操作并保持清醒。当你感到疲倦，或在有药物、酒精或治疗反应时，不要操作电动工具。在操作电动工具时瞬间的疏忽会导致严重人身伤害。
2. 使用个人防护装置。始终佩戴护目镜。安全装置，诸如适当条件下使用防尘面具、防滑安全鞋、安全帽、听力防护等装置能减少人身伤害。
3. 防止意外起动。确保开关在连接电源和/或电池盒、拿起或搬运工具时处于关断位置。手指放在已接通电源的开关上或开关处于接通时插入插头可能会导致危险。
4. 在电动工具接通之前，拿掉所有调节钥匙或扳手。遗留在电动工具旋转零件上的扳手或钥匙会导致人身伤害。
5. 手不要伸展得太长。时刻注意立足点和身体平衡。这样在意外情况下能很好地控制电动工具。
6. 着装适当。不要穿宽松衣服或佩戴饰品。让衣服、手套和头发远离运动部件。宽松衣服、佩饰或长发可能会卷入运动部件中。
7. 如果提供了与排屑、集尘设备连接用的装置，要确保他们连接完好且使用得当。使用这些装置可减少尘屑引起的危险。

电动工具使用和注意事项

1. 不要滥用电动工具，根据用途使用适当的电动工具。选用适当设计的电动工具会使你工作更有效、更安全。
2. 如果开关不能接通或关断工具电源，则不能使用该电动工具。不能用开关来控制的电动工具是危险的且必须进行修理。
3. 在进行任何调节、更换附件或贮存电动工具之前，必须从电源上拔掉插头和/或使电池盒与工具脱开。这种防护性措施将减少工具意外起动的危险。
4. 将闲置不用的电动工具贮存在儿童所及范围之外，并且不要让不熟悉电动工具或对这些说明不了解的人操作电动工具。电动工具在未经培训的用户手中是危险的。

5. 保养电动工具。检查运动件是否调整到位或卡住，检查零件破损情况和影响电动工具运行的其他状况。如有损坏，电动工具应在使用前修理好。许多事故由维护不良的电动工具引发。
6. 保持切削刀具锋利和清洁。保养良好的有锋利切削刃的刀具不易卡住而且容易控制。
7. 按照使用说明书，考虑作业条件和进行的作业来使用电动工具、附件和工具的刀头等。将电动工具用于那些与其用途不符的操作可能会导致危险。

电池式工具使用和注意事项

1. 只用制造商规定的充电器充电。将适用于某种电池盒的充电器用到其他电池盒时会发生着火危险。
2. 只有在配有专用电池盒的情况下才使用电动工具。使用其他电池盒会发生损坏和着火危险。
3. 当电池盒不用时，将它远离其他金属物体，例如回形针、硬币、钥匙、钉子、螺钉或其他小金属物体，以防一端与另一端连接。电池端部短路会引起燃烧或火灾。
4. 在滥用条件下，液体会从电池中溅出；避免接触。如果意外碰到了，用水冲洗。如果液体碰到了眼睛，还要寻求医疗帮助。从电池中溅出的液体会发生腐蚀或燃烧。

维修

1. 让专业维修人员使用相同的备件维修电动工具。这将保证所维修的电动工具的安全。
2. 上润滑油及更换附件时请遵循本说明书指示。
3. 手柄务必保持干燥、清洁、无油（脂）。

充电式钉枪使用安全警告

1. 务必总是假定工具中含有紧固件。粗心操作钉枪会导致紧固件意外弹出并造成人身伤害。
2. 请勿将工具对准自身或近旁任何人。意外扣动工具会弹出紧固件，从而造成人身伤害。
3. 将工具牢固抵住工件之前，请勿启动工具。如果工具未抵住工件，紧固件可能会偏离目标紧固位置。
4. 当紧固件卡入工具时，请断开工具电源。否则工具可能会在拆卸卡住的紧固件时意外启动。

5. 拆卸卡住的紧固件时，请务必小心操作。紧固机构可能会处于受压状态，当尝试将紧固件从受卡状态中释放时，它可能会强力弹出。
6. 请勿使用该钉枪固定电缆。该工具并非设计用于电缆安装，若用于该用途，可能会损坏电缆绝缘部分，从而造成触电或火灾。
7. 请务必佩戴安全眼镜以保护眼睛免受灰尘和紧固件的伤害。

警告：雇主有责任监督工具操作者和其他近工作区域人员佩戴安全护目装置。

8. 手和脚勿靠近弹射口区域。
9. 根据说明进行润滑和更换附件。
10. 务必在装载紧固件，执行调整、检查和保养前或使用之后拆下电池组。
11. 操作工具前，请确保近旁无人。切勿尝试从墙壁内外两侧同时驱动紧固件。紧固件可能会穿透和/或飞出墙壁，造成伤亡事故。
12. 使用工具时，请注意立足稳固并保持平衡。在高处作业时，要确保下方无人。
13. 切勿将标有符号“请勿在脚手架、梯子上使用”的紧固件驱动工具用于某些应用场合，例如：
 - 当从一个钉钉位置移动至另一使用脚手架、楼梯、梯子或梯类结构（如屋顶板条）的位置时；
 - 闭合箱子或板条箱；
 - 修理运输安全系统，例如：车辆和货车。
14. 仔细检查墙壁、天花板、地板、屋面等类似位置以避免因钉入带电电线、导管或煤气管道而导致触电、煤气泄露和爆炸等。
15. 仅可使用本说明书指定的紧固件。使用任何其他紧固件可能会导致工具故障。
16. 请勿改装本工具，或将其用作驱动紧固件以外的用途。
17. 未安装紧固件时，请勿操作本工具。这会缩短工具使用寿命。
18. 如果注意到工具出现故障或异常情况，请立即停止打钉操作。
19. 切勿将紧固件钉入可能会使紧固件穿透并射出的任何材料。
20. 准备好紧固工件之前，切勿同时启动开关扳机和接触部件。使工件按压接触部件。切勿将接触部件固定在回缩位置或手动按压接触部件而影响其用途。

21. 切勿改装接触部件。时常检查接触部件以确保正常操作。

22. 不使用时，务必从工具上拆下紧固件。

请保留此说明书。

警告：请勿为图方便或因对产品足够熟悉（由于重复使用而获得的经验）而不严格遵循相关产品安全规则。使用不当或不遵循使用说明书中的安全规则会导致严重的人身伤害。

电池组的重要安全注意事项

1. 在使用电池组之前，请仔细阅读所有的说明以及（1）电池充电器，（2）电池，以及（3）使用电池的产品上的警告标记。
2. 请勿拆解电池组。
3. 如果机器运行时间变得过短，请立即停止使用。否则可能会导致过热、起火甚至爆炸。
4. 如果电解液进入您的眼睛，用清水将其冲洗干净并立即就医。否则可能会导致视力受损。
5. 请勿使电池组短路：
 - (1) 请勿使任何导电材料碰触到端子。
 - (2) 避免将电池组与其他金属物品如钉子、硬币等放置在同一容器内。
 - (3) 请勿将电池组置于水中或使其淋雨。

电池短路将产生大的电流，导致过热，并可能导致起火甚至击穿。
6. 请勿将工具和电池组置于温度可能达到或超过50°C (122°F) 的场所。
7. 即使电池组已经严重损坏或完全磨损，也请勿焚烧电池组。电池组会在火中爆炸。
8. 请小心，勿撞击电池或使其掉落。
9. 请勿使用损坏的电池。
10. 本工具附带的锂离子电池需符合危险品法规要求。

第三方或转运代理等进行商业运输时，应遵循包装和标识方面的特殊要求。有关运输项目的准备作业，咨询危险品方面的专业人士。同时，请遵守可能更为详尽的国家法规。

请使用胶带保护且勿遮掩表面的联络信息，并牢固封装电池，使电池在包装内不可动。
11. 丢弃电池组时，需将其从工具上卸下并在安全地带进行处理。关于如何处理废弃的电池，请遵循当地法规。

- 仅将电池用于Makita（牧田）指定的产品。将电池安装至不兼容的产品会导致起火、过热、爆炸或电解液泄漏。
- 如长时间未使用工具，必须将电池从工具内取出。

请保留此说明书。

⚠️小心： 请仅使用Makita（牧田）原装电池。使用非Makita（牧田）原装电池或经过改装的电池可能会导致电池爆炸，从而造成火灾、人身伤害或物品受损。同时也会导致牧田工具和充电器的牧田保修服务失效。

保持电池最大使用寿命的提示

- 在电池组电量完全耗尽前及时充电。发现工具电量低时，请停止工具操作，并给电池组充电。
- 请勿对已充满电的电池组重新充电。过度充电将缩短电池的使用寿命。
- 请在10 °C - 40 °C (50 °F - 104 °F) 的室温条件下给电池组充电。请在灼热的电池组冷却后再充电。

功能描述

⚠️小心： 调节或检查工具功能之前，请务必关闭工具的电源并取出电池组。

安装或拆卸电池组

⚠️小心： 安装或拆卸电池组之前，请务必关闭工具电源。

⚠️小心： 安装或拆卸电池组时请握紧工具和电池组。否则它们可能从您的手中滑落，导致工具和电池组受损，甚至造成人身伤害。

► **图片1：** 1. 红色指示灯 2. 按钮 3. 电池组

拆卸电池组时，按下电池组前侧的按钮，同时将电池组从工具中抽出。

安装电池组时，要将电池组上的舌簧与外罩上的凹槽对齐，然后推滑到位。将其完全插入到位，直到电池组被锁定并发出卡嗒声为止。如果插入后仍能看到按钮上侧的红色指示灯，则说明电池组未完全锁紧。

⚠️小心： 务必完全装入电池组，直至看不见红色指示灯。否则它可能会意外从工具中脱落，从而造成自身或他人受伤。

⚠️小心： 请勿强行安装电池组。如果电池组难以插入，可能是插入方法不当。

电池保护系统

本工具配备有电池保护系统。该系统可自动切断电机电源以延长电池寿命。

作业时，如果工具和 / 或电池处于以下情况时工具将会自动停止运转：

过载：

以导致异常高电流的方式操作工具。

在这种情况下，请关闭工具并停止导致工具过载的应用操作。然后开启工具重新启动。如果无法启动工具，则说明电池过热。在这种情况下，请待电池冷却后再开启工具。

电池电压低：

剩余电池电量过低且工具不运行。如果启动工具，电机不运行，或运行后很快停止。在这种情况下，请取下电池并予以充电。

显示电池的剩余电量

仅限带指示灯的电池组

► **图片2：** 1. 指示灯 2. CHECK（查看）按钮

按电池组上的CHECK（查看）按钮可显示电池剩余电量。指示灯将亮起数秒。

指示灯		剩余电量
■ 点亮	□ 熄灭	
■ ■ ■ ■		75%至100%
■ ■ ■ □		50%至75%
■ ■ □ □		25%至50%
■ □ □ □		0%至25%

注： 在不同的使用条件及环境温度下，指示灯所示电量可能与实际情况略有不同。

扳机锁按钮

⚠️小心：在将电池组插入工具之前，请务必检查开关扳机是否能扣动自如，松开时能否退回至“OFF”（关闭）位置。

⚠️小心：不再操作工具时，从B侧按下扳机锁按钮，将开关扳机锁定在OFF（关闭）位置。

► 图片3: 1. 扳机锁按钮 2. 开关扳机

► 图片4

为避免使用者不小心扣动开关扳机，本工具采用扳机锁按钮。

要扣动开关扳机，请从A侧按下扳机锁按钮。使用之后，请务必从B侧按下扳机锁按钮。

调节打钉深度

⚠️警告：调节打钉深度前，请勿将手指放置在开关扳机或接触部件上，并取出电池组。

本钉枪可调节打钉深度。要调节打钉深度，请转动调节器。当调节器向图示中的A方向完全转到底，打钉深度为最深。当调节器向B方向转动时，打钉深度将变浅。最高可将深度调节至1.5 mm。

► 图片5: 1. 调节器

► 图片6: 1. 过深 2. 平齐 3. 过浅

点亮照明灯

⚠️小心：请勿直视灯光或光源。

扣动开关扳机或启动接触部件以点亮照明灯。在扣动开关扳机或启动接触部件期间此灯保持常亮。松开开关扳机和接触部件约10秒后，此灯会熄灭。

► 图片7: 1. 照明灯

注：请使用干布擦拭灯头灰。注意不要刮花灯头，否则会降低亮度。

注：当钉枪电池电力不足时，即便可以点亮照明灯，也可能无法打钉。在这种情况下，请给电池组充电。

装配

⚠️小心：对钉枪行任何装配操作前，请勿将手指放置在开关扳机或接触部件上，并取出电池组。

装配钉枪

⚠️小心：装配钉枪前，请务必确保已取出电池组。意外打钉可能会造成人身伤害和财产损失。

⚠️小心：请勿突然滑动装有销钉的销钉盒。尤其是在高处作业时，意外掉落销钉可能会造成人身伤害。

⚠️小心：以正确的方向装入销钉。以错误的方向装入销钉可能过导致打钉器过早磨损、裂开并损坏其他部件。

⚠️小心：请勿使用变形的、连在一起的销钉。请使用本手册中指定的销钉。使用其他非指定的销钉，可能会导致卡钉和钉枪破损。

1. 取出电池组。
 2. 按锁定杆并滑回钉盒。
 3. 将销钉头端与钉盒底部的凹槽对齐，并将销钉整个部分推向打钉器导盖。（请注意以正确的方向放置销钉。）
- 图片8: 1. 销钉 2. 钉盒 3. 锁定杆 4. 打钉器导向头

4. 装入销钉后，将钉盒按回到位直至发出咔嚓声。

需拆下销钉时，请按与安装时相反的步骤进行。

枪头适配器

⚠️小心：安装枪头适配器前，请勿将手指放置在开关扳机或接触部件上，并取出电池组。

当在表面易损的材料上打钉时，请使用枪头适配器。安装枪头适配器时，请将其置于打钉器导盖上，使枪头适配器内的凸起部分卡入打钉器导盖的凹槽中。可以将枪头适配器存放在钉盒后端的固定器中以防丢失。

- 图片9: 1. 凹槽 2. 凸起部分 3. 枪头适配器 4. 固定器

挂钩

⚠️小心：请勿将挂钩挂在腰带上。因挂钩意外脱落而导致钉枪掉落，可能会造成意外打钉并导致人身伤害。

► 图片10

挂钩便于临时悬挂工具。可安装在工具的任一侧。

要安装挂钩，请将其插入工具外壳上任一侧的凹槽中，然后用螺丝加以紧固。要拆卸挂钩，请将螺丝拧松，然后将其取出。

► 图片11: 1. 凹槽 2. 挂钩 3. 螺丝

六角扳手的存放

不使用时，请如图所示贮存六角扳手以防丢失。

► 图片12: 1. 六角扳手

操作

测试安全系统

⚠️警告：请在操作前确保所有的安全系统处于工作状态。否则可能会导致人身伤害。

► 图片13: 1. 扳机锁按钮 2. 开关扳机 3. 接触部件 4. 钉盒

按如下步骤在操作前测试安全系统以找出可能的故障。

1. 从工具中取出销钉并保持钉盒打开。
2. 安装电池组并释放扳机锁。
3. 仅扣动开关扳机而不使接触部件抵住材料。
4. 仅使接触部件抵住材料而不扣动开关扳机。

如果工具在以上3和4的情况下动作，表明安全系统存在故障。立即停止使用工具，并联系当地维修中心寻求帮助。

打钉

⚠️警告：继续将接触部件稳放在材料上，直至完全打出销钉。意外打钉可能会造成人身伤害。

1. 释放扳机锁。
2. 将接触部件平放在材料上。
3. 完全扣动开关扳机以打钉。
4. 要打出下一销钉，先从开关扳机松开手指，然后重复上述步骤2和3。

► 图片14: 1. 开关扳机 2. 接触部件

也可以在使接触部件抵住材料的同时将工具拉至下一区域并扣动开关扳机打出销钉。

► 图片15

打钉后，如果销钉头突出工件表面之上，请在使销钉枪头抵紧工件的情况下打钉。

► 图片16

注：如果抵紧销钉枪头仍会使销钉头突出工件表面之上，则该材料可能不适用于销钉枪。继续在此类材料上使用销钉枪可能会损坏销钉枪的打钉器和 / 或造成销钉枪卡钉。

防空击机构

⚠️警告：装配钉枪前，请勿将手指放置在开关扳机或接触部件上，并取出电池组。

当钉盒中的剩余钉数为0至3个时，将不可再扣动开关扳机。此时，请在钉盒中插入新的销钉条，然后即可扣动开关扳机。

注：在启动防空击装置不久后要使用不同长度的销钉时，请在钉盒中插入新的销钉条，然后在废料上打出所有先前剩余的销钉。

检查剩余钉数

可以通过视窗检查剩余销钉数量。红色指示灯随着剩余销钉数量变少会朝着紧固开口移动。

► 图片17: 1. 视窗 2. 指示灯

取出卡住的销钉

⚠警告： 取出卡住的销钉前，请务必确保已取出电池组。

取出钉盒中的剩余销钉。

用六角扳手拆下固定打钉器导盖的三枚螺丝。

从销钉导槽中取出卡住的销钉。

当难以取出卡住的销钉时，用六角扳手再拆下固定接触顶盖的两枚螺丝。然后将其取出。

► **图片18：** 1.打钉器导盖 2.螺丝 3.接触顶盖

保养

⚠小心： 检查或保养工具之前，请务必关闭工具电源并取出电池组。

注意： 切勿使用汽油、苯、稀释剂、酒精或类似物品清洁工具。否则可能会导致工具变色、变形或出现裂缝。

为了保证产品的安全与可靠性，维修、任何其他维修保养或调节需由Makita（牧田）授权的或工厂维修服务中心完成。务必使用Makita（牧田）的替换部件。

选购附件

⚠小心： 这些附件或装置专用于本说明书所列的Makita（牧田）工具。如使用其他厂牌附件或装置，可能导致人身伤害。仅可将附件或装置用于规定目的。

如您需要了解更多关于这些选购附件的信息，请咨询当地的Makita（牧田）维修服务中心。

- 销钉
- Makita（牧田）原装电池和充电器
- 护目镜

注： 本列表中的一些部件可能作为标准配件包含于工具包装内。它们可能因销往国家之不同而异。

SPEKIFIKASI

Model:	PT354D	
Ukuran paku pin	ø0,6 mm x 15, 18, 25, 30, 35 mm	
Kapasitas magasin paku pin	100 buah	
Dimensi tanpa kait (P x L x T)	231 mm x 80 mm x 226 mm	
Tegangan terukur	D.C. 10,8 V - 12 V maks	
Kartrid baterai	BL1015, BL1016, BL1020B, BL1021B	BL1040B, BL1041B
Berat bersih	1,8 kg	2,0 kg

- Karena kesinambungan program penelitian dan pengembangan kami, spesifikasi yang disebutkan di sini dapat berubah tanpa pemberitahuan.
- Spesifikasi dan kartrid baterai dapat berbeda dari satu negara ke negara lainnya.
- Berat alat mungkin berbeda tergantung perangkat tambahan yang dipasang, termasuk kartrid baterai. Kombinasi alat terberat dan teringan, sesuai Prosedur EPTA 01/2014, ditunjukkan pada tabel.

Simbol

Berikut ini adalah simbol-simbol yang digunakan pada peralatan ini. Pastikan Anda mengerti makna masing-masing simbol sebelum menggunakan alat.



Baca petunjuk penggunaan.



Ni-MH
Li-Ion

Hanya untuk negara-negara UE
Jangan membuang peralatan listrik atau paket baterai bersama-sama dengan bahan limbah rumah tangga!
Dengan memerhatikan Petunjuk Eropa, tentang Limbah Peralatan Listrik dan Elektronik serta Baterai dan Akumulator dan pelaksanaannya sesuai dengan ketentuan hukum nasional, peralatan listrik dan baterai dan paket baterai yang telah habis umur pakainya harus dikumpulkan secara terpisah dan dikembalikan ke fasilitas daur ulang yang kompatibel secara lingkungan.

Penggunaan

Mesin ini dibuat untuk menembakkan paku pin ke material konstruksi seperti kayu.

PERINGATAN KESELAMATAN

Peringatan keselamatan umum mesin listrik

⚠️ PERINGATAN: Bacalah semua peringatan keselamatan dan semua petunjuk. Kelalaian mematuhi peringatan dan petunjuk dapat menyebabkan sengatan listrik, kebakaran dan/atau cedera serius.

Simpanlah semua peringatan dan petunjuk untuk acuan di masa depan.

Istilah "mesin listrik" dalam semua peringatan mengacu pada mesin listrik yang dijalankan dengan sumber listrik jala-jala (berkabel) atau baterai (tanpa kabel).

Keselamatan tempat kerja

1. **Jaga tempat kerja selalu bersih dan berpenerangan cukup.** Tempat kerja yang berantakan dan gelap mengundang kecelakaan.
2. **Jangan gunakan mesin listrik dalam lingkungan yang mudah meledak, misalnya jika ada cairan, gas, atau debu yang mudah menyala.** Mesin listrik menimbulkan bunga api yang dapat menyalaikan debu atau uap tersebut.
3. **Jauhkan anak-anak dan orang lain saat menggunakan mesin listrik.** Bila perhatian terpecah, anda dapat kehilangan kendali.

Keamanan Kelistrikan

1. **Steker mesin listrik harus cocok dengan stopkontak. Jangan sekali-kali mengubah steker dengan cara apa pun. Jangan menggunakan steker adaptor dengan mesin listrik terbumi (dibumikan).** Steker yang tidak diubah dan stopkontak yang cocok akan mengurangi risiko sengatan listrik.
2. **Hindari sentuhan tubuh dengan permukaan terbumi atau yang dibumikan seperti pipa, radiator, kompor, dan kulkas.** Risiko sengatan listrik bertambah jika tubuh Anda terbumikan atau dibumikan.
3. **Jangan membiarkan mesin listrik kejuanan atau kebasahan.** Air yang masuk ke dalam mesin listrik akan meningkatkan risiko sengatan listrik.
4. **Jangan menyalahgunakan kabel. Jangan sekali-kali menggunakan kabel untuk membawa, menarik, atau mencabut mesin listrik dari stopkontak. Jauhkan kabel dari panas, minyak, tepian tajam, atau bagian yang bergerak.** Kabel yang rusak atau kusut memperbesar risiko sengatan listrik.
5. **Bila menggunakan mesin listrik di luar ruangan, gunakan kabel ekstensi yang sesuai untuk penggunaan di luar ruangan.** Penggunaan kabel yang sesuai untuk penggunaan luar ruangan mengurangi risiko sengatan listrik.
6. **Jika mengoperasikan mesin listrik di lokasi lembap tidak terhindarkan, gunakan pasokan daya yang dilindungi peranti imbasan arus (residual current device - RCD).** Penggunaan RCD mengurangi risiko sengatan listrik.

Keselamatan Diri

1. **Jaga kewaspadaan, perhatikan pekerjaan Anda dan gunakan akal sehat bila menggunakan mesin listrik. Jangan menggunakan mesin listrik saat Anda lelah atau di bawah pengaruh obat bius, alkohol, atau obat.** Sekejap saja lalai saat menggunakan mesin listrik dapat menyebabkan cedera badan serius.
2. **Gunakan alat pelindung diri. Selalu gunakan pelindung mata.** Peralatan pelindung seperti masker debu, sepatu pengaman anti-selip, helm pengaman, atau pelindung telinga yang digunakan untuk kondisi yang sesuai akan mengurangi risiko cedera badan.
3. **Cegah penyalaaan yang tidak disengaja. Pastikan bahwa sakelar berada dalam posisi mati (off) sebelum menghubungkan mesin ke sumber daya dan/atau paket baterai, atau mengangkat atau membawanya.** Membawa mesin listrik dengan jari Anda pada sakelarnya atau mengalirkan listrik pada mesin listrik yang sakelarnya hidup (on) akan mengundang kecelakaan.
4. **Lepaskan kunci-kunci penyetel sebelum menghidupkan mesin listrik.** Kunci-kunci yang masih terpasang pada bagian mesin listrik yang berputar dapat menyebabkan cedera.
5. **Jangan meraih terlalu jauh. Jagalah pijakan dan keseimbangan sepanjang waktu.** Hal ini memungkinkan kendali yang lebih baik atas mesin listrik dalam situasi yang tidak diharapkan.

6. **Kenakan pakaian dengan baik. Jangan memakai pakaian yang kedodoran atau perhiasan. Jaga jarak antara rambut, pakaian, dan sarung tangan Anda dengan bagian mesin yang bergerak.** Pakaian kedodoran, perhiasan, atau rambut panjang dapat tersangkut pada bagian yang bergerak.
7. **Jika tersedia fasilitas untuk menghisap dan mengumpulkan debu, pastikan fasilitas tersebut terhubung listrik dan digunakan dengan baik.** Penggunaan pembersih debu dapat mengurangi bahaya yang terkait dengan debu.

Penggunaan dan pemeliharaan mesin listrik

1. **Jangan memaksa mesin listrik. Gunakan mesin listrik yang tepat untuk keperluan Anda.** Mesin listrik yang tepat akan menuntaskan pekerjaan dengan lebih baik dan aman pada kecepatan sesuai rancangannya.
2. **Jangan gunakan mesin listrik jika sakelar tidak dapat menyalakan dan mematikannya.** Mesin listrik yang tidak dapat dikendalikan dengan sakelarnya adalah berbahaya dan harus diperbaiki.
3. **Cabut steker dari sumber listrik dan/atau paket baterai dari mesin listrik sebelum melakukan penyetelan, penggantian aksesoris, atau menyimpan mesin listrik.** Langkah keselamatan preventif tersebut mengurangi risiko hidupnya mesin secara tak sengaja.
4. **Simpan mesin listrik jauh dari jangkauan anak-anak dan jangan biarkan orang yang tidak paham mengenai mesin listrik tersebut atau petunjuk ini menggunakan mesin listrik.** Mesin listrik sangat berbahaya di tangan pengguna yang tak terlatih.
5. **Rawatlah mesin listrik. Periksa apakah ada bagian bergerak yang tidak lurus atau macet, bagian yang pecah dan kondisi lain yang dapat memengaruhi penggunaan mesin listrik.** Jika rusak, perbaiki dahulu mesin listrik sebelum digunakan. Banyak kecelakaan disebabkan oleh kurangnya pemeliharaan mesin listrik.
6. **Jaga agar mesin pemotong tetap tajam dan bersih.** Mesin pemotong yang terawat baik dengan mata pemotong yang tajam tidak mudah macet dan lebih mudah dikendalikan.
7. **Gunakan mesin listrik, aksesoris, dan mata mesin, dll. sesuai dengan petunjuk ini, dengan memperhitungkan kondisi kerja dan jenis pekerjaan yang dilakukan.** Penggunaan mesin listrik untuk penggunaan yang lain dari peruntukan dapat menimbulkan situasi berbahaya.

Penggunaan dan pemeliharaan mesin bertenaga baterai

1. **Isi ulang baterai hanya dengan pengisi daya yang ditentukan oleh pabrik.** Pengisi daya yang cocok untuk satu jenis paket baterai dapat menimbulkan risiko kebakaran ketika digunakan untuk paket baterai yang lain.
2. **Gunakan mesin listrik hanya dengan paket baterai yang telah ditentukan secara khusus.** Penggunaan paket baterai lain dapat menimbulkan risiko cedera dan kebakaran.

3. Ketika paket baterai tidak digunakan, jauhkan dari benda logam lain, seperti penjepit kertas, uang logam, kunci, paku, sekrup atau benda logam kecil lainnya, yang dapat menghubungkan satu terminal ke terminal lain. Hubungan singkat terminal baterai dapat menyebabkan luka bakar atau kebakaran.
4. Pemakaian yang salah, dapat menyebabkan keluarnya cairan dari baterai; hindari kontak. Jika terjadi kontak secara tidak sengaja, bilas dengan air. Jika cairan mengenai mata, cari bantuan medis. Cairan yang keluar dari baterai bisa menyebabkan iritasi atau luka bakar.
8. Jauhkan tangan dan kaki dari area celah lontar.
9. Patuhi petunjuk pelumasan dan penggantian aksesoris.
10. Selalu lepas kartrid baterai sebelum melakukan pengisian isi stapler, penyetulan, pemeriksaan, pemeliharaan pada mesin, atau setelah pengoperasian selesai.
11. Pastikan tidak ada orang di sekitar Anda sebelum mengoperasikan mesin. Jangan pernah mencoba menembakkan isi stapler dari dalam dan luar dinding secara bersamaan. Isi stapler mungkin saja menembus dinding dan/atau terpentak, sehingga menyebabkan bahaya fatal.

Servis

1. Berikan mesin listrik untuk diperbaiki hanya kepada oleh teknisi yang berkualifikasi dengan menggunakan hanya suku cadang pengganti yang serupa. Hal ini akan menjamin terjaminnya keamanan mesin listrik.
2. Patuhi petunjuk pelumasan dan penggantian aksesoris.
3. Jagalah agar gagang kering, bersih, dan bebas dari minyak dan gemuk.
12. Perhatikan pijakan dan jaga keseimbangan Anda terhadap mesin. Pastikan tidak ada orang yang berada di bawah Anda saat bekerja di tempat yang tinggi.
13. Jangan pernah menggunakan sistem pengendali pengencang dan bertanda dengan "Jangan digunakan pada scaffolding, tangga" untuk aplikasi tertentu seperti:
 - saat mengganti salah satu lokasi pemasangan ke lokasi lain yang melibatkan penggunaan scaffolding, tangga pada bangunan, tangga jinjing atau konstruksi seperti tangga jinjing, misalnya kisi-kisi atap;
 - kotak tertutup atau peti kayu;
 - sistem keselamatan transportasi yang cocok misalnya kendaraan dan gerobak.

Peringatan keselamatan mesin penembak paku berdaya baterai

1. Selalu asumsikan bahwa ada pengencang di dalam mesin. Kelalaian penggunaan mesin penembak paku dapat mengakibatkan pengencang ditembakkan secara tidak sengaja serta menyebabkan cedera.
2. Jangan arahkan peralatan ke arah diri Anda atau orang lain. Jika pelatuk tidak sengaja ditekan, isi stapler akan ditembakkan dan dapat mengakibatkan cedera.
3. Jangan menjalankan mesin kecuali mesin telah ditempelkan kuat-kuat ke benda kerja. Jika mesin tidak menyentuh benda kerja, isi stapler mungkin saja tertancap tidak tepat pada target Anda.
4. Lepaskan mesin dari sumber daya jika pengencang tersangkut di dalam mesin. Saat melepas pengencang yang tersangkut, mesin penembak paku dapat aktif secara tiba-tiba jika masih tersambung ke sumber daya.
5. Berhati-hatilah saat melepas isi stapler yang tersangkut. Mekanisme mesin mungkin terkena tekanan dan isi staplernya mungkin saja ditembakkan dengan kuat saat melepaskan isi stapler yang tersangkut.
6. Jangan menggunakan mesin penembak paku ini untuk mengencangkan kabel listrik. Mesin ini tidak didesain untuk pemasangan kabel listrik dan dapat merusak insulasi kabel listrik, sehingga dapat mengakibatkan sengatan listrik atau bahaya kebakaran.
7. Selalu gunakan kacamata pelindung untuk melindungi mata Anda dari debu atau cedera saat mengencangkan sekrup.

⚠️PERINGATAN: Adalah tanggung jawab atasan untuk menerapkan penggunaan alat pelindung keselamatan mata kepada operator mesin dan orang lain yang berada di area kerja saat itu.
14. Periksa dinding, langit-langit, lantai, atap dan sejenisnya dengan hati-hati untuk menghindari kemungkinan sengatan listrik, kebocoran gas, ledakan, dsb. yang disebabkan oleh isi stapler yang menusuk kabel listrik, saluran atau pipa gas.
15. Gunakan hanya isi stapler yang telah ditentukan dalam buku panduan ini. Penggunaan isi stapler lain dapat menyebabkan malafungsi mesin.
16. Jangan memodifikasi mesin atau mencoba menggunakannya untuk tujuan lain selain untuk menembakkan isi stapler.
17. Jangan mengoperasikan mesin tanpa isi stapler. Hal tersebut akan mengurangi usia pakai mesin.
18. Segera hentikan pengoperasian mesin jika Anda merasakan ada sesuatu yang salah atau tidak biasa pada mesin.
19. Jangan pernah menembakkan isi stapler ke material apa pun yang dapat menyebabkan isi stapler menusuk dan menembus material.
20. Jangan pernah menggerakkan pelatuk sakelar dan elemen kontak secara bersamaan hingga Anda siap untuk mengencangkan benda kerja. Biarkan benda kerja untuk menekan elemen kontak. Jangan pernah menghambat mesin dengan menghalangi elemen kontak atau menekannya dengan tangan.
21. Jangan pernah memodifikasi elemen kontak. Periksa elemen kontak secara teratur untuk memastikan ketepatan pengoperasian mesin.

22. Selalu lepas pengencang dari mesin jika tidak digunakan.

SIMPAN PETUNJUK INI.

⚠️PERINGATAN: JANGAN biarkan kenyamanan atau terbiasanya Anda dengan produk (karena penggunaan berulang) mengurangi kepatuhan yang ketat terhadap aturan keselamatan untuk produk yang terkait. **PENYALAHGUNAAN** atau kelalaian mematuhi kaidah keselamatan yang tertera dalam petunjuk ini dapat menyebabkan cedera badan serius.

Petunjuk keselamatan penting untuk kartrid baterai

1. Sebelum menggunakan kartrid baterai, bacalah semua petunjuk dan penandaan pada (1) pengisi daya baterai, (2) baterai, dan (3) produk yang menggunakan baterai.
2. Jangan membongkar kartrid baterai.
3. Jika waktu beroperasinya menjadi sangat singkat, segera hentikan penggunaan. Hal tersebut dapat menimbulkan risiko panas berlebih, kemungkinan mengalami luka bakar atau bahkan terjadi ledakan.
4. Jika elektrolit mengenai mata Anda, basuh dengan air bersih dan segera cari pertolongan medis. Hal tersebut dapat mengakibatkan hilangnya kemampuan penglihatan Anda.
5. Jangan menghubungkan terminal kartrid baterai:
 - (1) Jangan menyentuh terminal dengan bahan penghantar listrik apa pun.
 - (2) Hindari menyimpan kartrid baterai pada wadah yang berisi benda logam lain seperti paku, uang logam, dsb.
 - (3) Jangan membiarkan baterai terkena air atau hujan.Hubungan singkat baterai dapat menyebabkan aliran arus listrik yang besar, panas berlebih, kemungkinan mengalami luka bakar dan bahkan kerusakan pada baterai.
6. Jangan menyimpan mesin dan kartrid baterai pada lokasi dengan suhu yang bisa mencapai atau melebihi 50 °C.
7. Jangan membuang kartrid baterai di tempat pembakaran sampah walaupun benar-benar rusak atau tidak bisa digunakan sama sekali. Kartrid baterai bisa meledak jika terbakar.
8. Berhati-hatilah jangan sampai baterai jatuh atau terbentur.
9. Jangan menggunakan baterai yang rusak.

10. **Baterai litium-ion yang disertakan sesuai dengan persyaratan Perundangan Makanan Berbahaya.**

Harus ada pengawasan untuk pengangkutan komersial misalnya oleh pihak ketiga, ekspeditor, persyaratan khusus terhadap pengemasan dan pelabelan.

Diperlukan adanya konsultasi dengan ahli mengenai material berbahaya untuk persiapan barang yang akan dikirimkan. Perhatikan pula peraturan nasional yang lebih terperinci yang mungkin ada.

Beri perekat atau tutupi bagian yang terbuka dan kemasi baterai dengan cara yang tidak akan menimbulkan pergeseran dalam pengemasan.

11. **Ketika membuang kartrid baterai, lepaskan dari mesin dan buang ke tempat yang aman. Patuhi peraturan setempat yang berkaitan dengan pembuangan baterai.**
12. **Gunakan baterai hanya dengan produk yang ditentukan oleh Makita.** Memasang baterai pada produk yang tidak sesuai dapat menyebabkan kebakaran, kelebihan panas, ledakan, atau kebocoran elektrolit.
13. **Jika mesin tidak digunakan dalam jangka waktu yang lama, baterai harus dilepas dari mesin.**

SIMPAN PETUNJUK INI.

⚠️PERHATIAN: Gunakan baterai asli Makita. Penggunaan baterai Makita yang tidak asli, atau baterai yang sudah diubah, akan mengakibatkan baterai mudah terbakar, cedera dan kerusakan. Akan menghilangkan garansi Makita pada pengisi daya dan alat Makita.

Tip untuk menjaga agar umur pemakaian baterai maksimum

1. Isi ulang kartrid baterai sebelum habis sama sekali. Selalu hentikan penggunaan mesin dan ganti kartrid baterai jika Anda melihat bahwa mesin kurang tenaga.
2. Jangan pernah mengisi ulang kartrid baterai yang sudah diisi penuh. Pengisian ulang yang berlebih memperpendek umur pemakaian baterai.
3. Isi ulang kartrid baterai pada suhu ruangan 10 °C - 40 °C. Biarkan kartrid baterai yang panas menjadi dingin terlebih dahulu sebelum diisi ulang.

DESKRIPSI FUNGSI

⚠️PERHATIAN: Selalu pastikan bahwa mesin dimatikan dan kartrid baterai dilepas sebelum menyatel atau memeriksa kerja mesin.

Memasang atau melepas baterai

⚠️PERHATIAN: Selalu matikan mesin sebelum memasang atau melepas kartrid baterai.

⚠️PERHATIAN: Pegang mesin dan kartrid baterai kuat-kuat saat memasang atau melepas kartrid baterai. Kelalaian untuk memegang mesin dan kartrid baterai kuat-kuat bisa menyebabkan keduanya tergelincir dari tangan Anda dan mengakibatkan kerusakan pada mesin dan kartrid baterai dan cedera diri.

► **Gbr.1:** 1. Indikator berwarna merah 2. Tombol 3. Kartrid baterai

Untuk melepas kartrid baterai, geser dari mesin sambil menggeser tombol pada bagian depan kartrid.

Untuk memasang kartrid baterai, sejajarkan lidah kartrid baterai dengan alur pada rumah dan masukkan ke dalam tempatnya. Masukkan seluruhnya sampai terkunci pada tempatnya dan terdengar bunyi klik kecil. Jika Anda bisa melihat indikator berwarna merah pada sisi atas tombol, berarti tidak terkunci sepenuhnya.

⚠️PERHATIAN: Selalu pasang kartrid baterai sepenuhnya sampai indikator berwarna merah tidak terlihat. Jika tidak, bisa terlepas dari mesin secara tidak sengaja, menyebabkan luka pada Anda atau orang di sekitar Anda.

⚠️PERHATIAN: Jangan memasang kartrid baterai secara paksa. Jika kartrid tidak bergeser dengan mudah, berarti tidak dimasukkan dengan benar.

Sistem perlindungan baterai

Mesin ini dilengkapi dengan sistem perlindungan baterai. Sistem ini memutus daya ke motor secara otomatis untuk memperpanjang umur pemakaian baterai.

Mesin akan berhenti saat penggunaan saat mesin dan/atau baterai berada dalam salah satu kondisi berikut ini:

Kelebihan beban:

Mesin dijalkan dengan cara yang menyebabkannya menarik arus tinggi yang tidak normal.

Untuk situasi ini, matikan mesin dan hentikan pekerjaan yang menyebabkan mesin mengalami kelebihan beban. Kemudian, nyalakan mesin untuk kembali memulai pekerjaan.

Jika mesin tidak menyala, baterai mengalami kelebihan panas. Untuk situasi ini, biarkan baterai mendingin sebelum kembali menyalakan mesin.

Tegangan baterai rendah:









Kapasitas baterai yang tersisa terlalu rendah dan mesin tidak akan beroperasi. Jika Anda menyalakan mesin, motor tidak akan menyala lagi tetapi segera berhenti. Untuk situasi ini, lepas dan isi ulang baterai.

Mengindikasikan kapasitas baterai yang tersisa

Hanya untuk kartrid baterai dengan indikator

► **Gbr.2:** 1. Lampu indikator 2. Tombol pemeriksaan

Tekan tombol pemeriksaan pada kartrid baterai untuk melihat kapasitas baterai yang tersisa. Lampu indikator menyala selama beberapa detik.

Lampu indikator		Kapasitas yang tersisa
Menyala	Mati	
		75% hingga 100%
		50% hingga 75%
		25% hingga 50%
		0% hingga 25%

CATATAN: Tergantung kondisi penggunaan dan suhu lingkungannya, penunjukkan mungkin saja sedikit berbeda dari kapasitas sebenarnya.

Tombol pengunci pelatuk

⚠️PERHATIAN: Sebelum memasukkan kartrid baterai pada mesin, pastikan picu saklar berfungsi dengan baik dan kembali ke posisi "OFF" saat dilepas.

⚠️PERHATIAN: Saat mesin tidak dioperasikan, tekan pengunci pelatuk dari sisi B untuk mengunci pelatuk sakelar di posisi OFF.

► **Gbr.3:** 1. Tombol pengunci pelatuk 2. Pelatuk sakelar

► **Gbr.4**

Untuk mencegah pelatuk sakelar tertarik secara tidak sengaja, tersedia tombol pengunci pelatuk.

Untuk menarik pelatuk sakelar, tekan tombol pengunci pelatuk dari sisi A.

Setelah selesai digunakan, selalu tekan tombol pengunci pelatuk dari sisi B.

Menyetel kedalaman pemakuan

⚠️PERINGATAN: Selalu pastikan bahwa jari Anda tidak berada pada pelatuk sakelar atau elemen kontak dan kartrid baterai dilepas sebelum menyetel kedalaman pemakuan.

Kedalaman pemakuan dapat disetel pada mesin penembak paku ini. Untuk menyetel kedalaman pemakuan, putar penyetel. Kedalaman pemakuan berada pada tingkat paling dalam ketika penyetel diputar penuh ke arah A seperti yang ditunjukkan pada gambar. Kedalaman akan berkurang saat penyetel diputar ke arah B. Kedalaman dapat disetel 1,5 mm hingga maksimal.

► **Gbr.5:** 1. Penyetel

► **Gbr.6:** 1. Terlalu dalam 2. Rata 3. Terlalu dangkal

Menyalakan lampu

⚠️PERHATIAN: Jangan melihat lampu atau sumber cahaya secara langsung.

Tarik pelatuk sakelar atau jungkitkan elemen kontak untuk menyalakan lampu. Lampu tetap menyala selama pelatuk sakelar ditarik atau elemen kontak dijungkitkan. Lampu akan padam kira-kira 10 detik setelah melepas pelatuk sakelar dan elemen kontak.

► **Gbr.7:** 1. Lampu

CATATAN: Gunakan kain kering untuk mengelap kotoran dari lensa lampu. Hati-hati jangan sampai menggores lensa lampu, atau hal tersebut dapat menurunkan tingkat penerangannya.

CATATAN: Bahkan jika lampu menyala ketika sisa daya baterai menurun, mesin penembak paku pin tidak dapat menembakkan paku pin. Pada kasus seperti ini, lakukan pengisian daya kartrid baterai.

PERAKITAN

⚠️PERHATIAN: Selalu pastikan bahwa jari Anda tidak berada pada pelatuk sakelar atau elemen kontak dan kartrid baterai dilepas sebelum melakukan apa pun pada mesin penembak paku pin.

Mengisi paku pin

⚠️PERHATIAN: Selalu pastikan kartrid baterai telah dilepas terlebih dahulu sebelum memuat paku pin ke dalam mesin. Tembakan yang tidak sengaja dapat menyebabkan cedera fisik dan kerusakan properti.

⚠️PERHATIAN: Jangan menggeser magasin mesin penembak paku pin yang terisi dengan paku pin secara mendadak. Menjatuhkan paku pin secara tidak sengaja khususnya ketika bekerja pada tempat yang tinggi dapat menyebabkan cedera fisik.

⚠️PERHATIAN: Muat paku pin dengan arah yang benar. Memuat dengan arah yang salah dapat menyebabkan keausan dini dan merusak mata obeng serta merusak bagian lain.

⚠️PERHATIAN: Jangan gunakan paku pin yang bentuknya cacat. Hanya gunakan paku pin yang ditentukan pada buku panduan ini. Menggunakan paku pin selain yang ditentukan dapat menyebabkan paku pin tersangkut dan merusak mesin penembak paku pin.

1. Lepaskan kartrid baterai.
2. Tekan tuas pengunci kemudian geser magasin ke belakang.

3. Sejajarkan ujung paku pin dengan alur pada bagian bawah magasin kemudian tekan seluruh bagian paku pin ke arah pemandu obeng. (Berhati-hatilah dalam menempatkan paku pin ke arah yang tepat.)

► **Gbr.8:** 1. Paku pin 2. Magasin 3. Tuas pengunci 4. Pemandu obeng

4. Setelah memasang paku pin, dorong kembali submagasin hingga berbunyi klik.

Untuk melepas paku pin, ikuti urutan terbalik dari prosedur pemasangan.

Adaptor selang

⚠️PERHATIAN: Selalu pastikan jari Anda tidak berada pada pelatuk sakelar atau elemen kontak dan kartrid baterai terlepas sebelum memasang adaptor selang.

Saat menembakkan paku pin pada material dengan permukaan yang rapuh, gunakan adaptor selang. Untuk memasang adaptor selang, pasang adaptor tersebut di atas penutup panduan obeng sehingga tonjolan di dalam adaptor selang terpasang pas pada lekukan di penutup pemandu obeng.

Anda dapat menyimpan adaptor selang di tempat yang berada di belakang magasin agar tidak hilang.

► **Gbr.9:** 1. Lekukkan 2. Tonjolan 3. Adaptor selang 4. Penahan

Kait

⚠️PERHATIAN: Jangan menggantung kait dari ikat pinggang. Mesin penembak paku pin yang jatuh akibat kait tiba-tiba terlepas dari tempatnya dapat menyebabkan tembakan isi yang tidak disengaja dan mengakibatkan cedera.

► **Gbr.10**

Kait dapat digunakan untuk menggantung mesin untuk sementara waktu. Kait ini dapat dipasang pada salah satu sisi mesin.

Untuk memasang kait, masukkan kait ke dalam alur pada salah satu sisi rumahan mesin dan kemudian kencangkan dengan sekrup. Untuk melepasnya, kendurkan sekrup dan kemudian tarik kait keluar.

► **Gbr.11:** 1. Alur 2. Kait 3. Sekrup

Penyimpanan kunci L

Saat tidak digunakan, simpan kunci L seperti terlihat pada gambar agar tidak hilang.

► **Gbr.12:** 1. Kunci L

PENGUNAAN

Menguji sistem keamanan

⚠️ PERINGATAN: Pastikan bahwa semua sistem keselamatan berfungsi dengan baik sebelum memulai pengoperasian. Kelalaian untuk melakukan hal ini dapat menyebabkan cedera.

- **Gbr.13:** 1. Tombol pengunci pelatuk 2. Pelatuk sakelar 3. Elemen kontak 4. Magasin

Sebelum pengoperasian, ujilah sistem keamanan sebagai berikut untuk memeriksa apakah ada kesalahan yang mungkin terjadi.

1. Lepas paku pin dari mesin dan biarkan magasin terbuka.
2. Pasang kartrid baterai dan lepas kunci pemicunya.
3. Tarik hanya pelatuk sakelarnya saja, tanpa menyentuh elemen kontak ke material.
4. Sentuhkan hanya elemen kontak saja ke material, tanpa menarik pelatuk sakelar.

Jika mesin bekerja dalam kondisi seperti nomor 3 dan 4 yang disebutkan di atas, berarti sistem keamanan mesin mengalami masalah. Segera hentikan pengoperasian mesin dan tanyakan kepada pusat servis setempat.

Memasang paku pin

⚠️ PERINGATAN: Lanjutkan untuk meletakkan elemen kontak dengan kuat pada material hingga paku pin terpasang sepenuhnya. Tembakan yang tidak disengaja dapat menyebabkan cedera.

1. Lepaskan kunci pemicunya.
 2. Tempelkan elemen kontak secara mendatar pada material.
 3. Tarik pelatuk sakelar sepenuhnya untuk memasang paku pin.
 4. Untuk memasang paku pin selanjutnya, singkirkan jari Anda dari pelatuk sakelar, kemudian ulangi langkah 2 dan 3 di atas.
- **Gbr.14:** 1. Pelatuk sakelar 2. Elemen kontak

Anda juga dapat memasang paku pin ketika membawa mesin ke area selanjutnya dengan elemen kontak ditekan pada material dan menarik pelatuk sakelar.

- **Gbr.15**

Jika kepala paku pin berada pada permukaan benda kerja, pasang paku pin sambil menahan kepala mesin penembak paku dengan erat pada benda kerja.

- **Gbr.16**

CATATAN: Jika kepala paku pin masih berada pada benda kerja bahkan setelah Anda menahan kepala paku pin, material mungkin tidak cocok untuk paku pin tersebut. Melanjutkan menggunakan mesin penembak paku pin pada material seperti itu dapat menyebabkan rusaknya obeng mesin dan/atau tersangkutnya mesin.

Mekanisme tembak antikering

⚠️ PERINGATAN: Selalu pastikan bahwa jari Anda tidak berada pada pelatuk sakelar atau elemen kontak dan kartrid baterai terlepas sebelum mengisi paku pin.

Jika jumlah paku pin yang tersisa di dalam magasin hanya 0 - 3 buah, pelatuk sakelar tidak dapat ditarik lagi. Pada kondisi ini, masukkan strip paku pin baru ke dalam magasin dan pelatuk sakelar dapat ditarik lagi.

CATATAN: Ketika menembakkan paku pin dengan panjang yang berbeda sesaat setelah perangkat penembakan anti-kering diaktifkan, masukkan strip baru paku pin ke dalam magasin lalu tembakkan semua paku pin sebelumnya yang masih tersisa pada material sampah.

Memeriksa paku pin yang tersisa

Anda dapat memeriksa jumlah paku pin yang tersisa melalui jendela indikator.

Indikator merah yang bergerak ke arah pembukaan pengencangan dengan jumlah paku pin yang tersisa menjadi semakin kecil.

- **Gbr.17:** 1. Jendela lihat 2. Indikator

Membuang paku pin yang tersangkut

⚠️ PERINGATAN: Selalu pastikan kartrid baterai telah dilepas terlebih dahulu sebelum melepas paku pin yang tersangkut.

Keluarkan paku pin yang tersisa di dalam magasin. Lepas ketiga sekrup dengan kunci L yang mengunci penutup pemandu obeng.

Ambil paku yang tersangkut dari alur panduan paku yang telah muncul.

Jika mengalami kesulitan mengeluarkan paku yang tersangkut, lepas kedua sekrup dengan kunci L yang mengunci penutup atas kontak. Kemudian keluarkan paku tersebut.

- **Gbr.18:** 1. Penutup pemandu obeng 2. Sekrup 3. Penutup atas kontak

PERAWATAN

⚠️ PERHATIAN: Selalu pastikan bahwa mesin dimatikan dan kartrid baterai dilepas sebelum melakukan pemeriksaan atau perawatan.

PEMBERITAHUAN: Jangan sekali-kali menggunakan bensin, tiner, alkohol, atau bahan sejenisnya. Penggunaan bahan demikian dapat menyebabkan perubahan warna, perubahan bentuk atau timbulnya retakan.

Untuk menjaga KEAMANAN dan KEANDALAN mesin, perbaikan, perawatan atau penyetelan lainnya harus dilakukan oleh Pusat Layanan Resmi atau Pabrik Makita; selalu gunakan suku cadang pengganti buatan Makita.

AKSESORI PILIHAN

⚠️ PERHATIAN: Dianjurkan untuk menggunakan aksesori atau perangkat tambahan ini dengan mesin Makita Anda yang ditentukan dalam petunjuk ini. Penggunaan aksesori atau perangkat tambahan lain bisa menyebabkan risiko cedera pada manusia. Hanya gunakan aksesori atau perangkat tambahan sesuai dengan peruntukannya.

Jika Anda memerlukan bantuan lebih rinci berkenaan dengan aksesori ini, tanyakan pada Pusat Layanan Makita terdekat.

- Paku pin
- Baterai dan pengisi daya asli buatan Makita
- Kaca mata pelindung

CATATAN: Beberapa item dalam daftar tersebut mungkin sudah termasuk dalam paket mesin sebagai aksesori standar. Hal tersebut dapat berbeda dari satu negara ke negara lainnya.

THÔNG SỐ KỸ THUẬT

Kiểu máy:	PT354D	
Kích thước định bản	ø0,6 mm x 15, 18, 25, 30, 35 mm	
Sức chứa của ổ nạp định bản	100 chiếc	
Kích thước không có móc treo (Dài x Rộng x Cao)	231 mm x 80 mm x 226 mm	
Điện áp định mức	10,8 V một chiều - tối đa 12 V	
Hộp pin	BL1015, BL1016, BL1020B, BL1021B	BL1040B, BL1041B
Khối lượng tịnh	1,8 kg	2,0 kg

- Do chương trình nghiên cứu và phát triển liên tục của chúng tôi nên các thông số kỹ thuật trong đây có thể thay đổi mà không cần thông báo trước.
- Các thông số kỹ thuật và hộp pin có thể thay đổi tùy theo từng quốc gia.
- Khối lượng có thể khác nhau tùy thuộc vào (các) phụ kiện, bao gồm cả hộp pin. Tổ hợp nhẹ nhất và nặng nhất, theo Quy trình EPTA 01/2014, được trình bày trong bảng.

Ký hiệu

Phản dưới đây cho biết các ký hiệu được dùng cho thiết bị. Đảm bảo rằng bạn hiểu rõ ý nghĩa của các ký hiệu này trước khi sử dụng.



Đọc tài liệu hướng dẫn.



Ni-MH
Li-ion

Chỉ dành cho các quốc gia EU
Không tháo bỏ thiết bị điện hoặc bộ pin cùng với các chất thải sinh hoạt!
Đề tuân thủ các Chỉ thị của Châu Âu về thiết bị điện và điện tử thải bỏ, và về pin và ắc quy và pin và ắc quy thải bỏ, và thi hành những chỉ thị này phù hợp với luật lệ quốc gia, các thiết bị điện tử và pin và (các) bộ pin không còn sử dụng được nữa phải được thu nhặt riêng và đưa trở lại một cơ sở tái chế tương thích với môi trường.

Mục đích sử dụng

Dụng cụ này được dùng để đập đinh bản vào vật liệu xây dựng chẳng hạn như gỗ.

CẢNH BÁO AN TOÀN

Cảnh báo an toàn chung dành cho dụng cụ máy

⚠ CẢNH BÁO: Đọc tất cả các cảnh báo an toàn và tất cả hướng dẫn. Việc không tuân theo các cảnh báo và hướng dẫn có thể dẫn đến điện giật, hỏa hoạn và/hoặc thương tích nghiêm trọng.

Lưu giữ tất cả cảnh báo và hướng dẫn để tham khảo sau này.

Thuật ngữ “dụng cụ máy” trong các cảnh báo đề cập đến dụng cụ máy (có dây) được vận hành bằng nguồn điện chính hoặc dụng cụ máy (không dây) được vận hành bằng pin của bạn.

An toàn tại nơi làm việc

1. **Giữ nơi làm việc sạch sẽ và có đủ ánh sáng.** Nơi làm việc bừa bộn hoặc tối thường dễ gây ra tai nạn.
2. **Không vận hành dụng cụ máy trong môi trường cháy nổ, ví dụ như môi trường có sự hiện diện của các chất lỏng, khí hoặc bụi dễ cháy.** Các dụng cụ máy tạo tia lửa điện có thể làm bụi hoặc khí bốc cháy.
3. **Giữ trẻ em và người ngoài tránh xa nơi làm việc khi đang vận hành dụng cụ máy.** Sự xao lãng có thể khiến bạn mất khả năng kiểm soát.

An toàn về Điện

1. **Phích cắm của dụng cụ máy phải khớp với ổ cắm. Không được sửa đổi phích cắm theo bất kỳ cách nào. Không sử dụng bất kỳ phích chuyển đổi nào với các dụng cụ máy được nối đất (tiếp đất).** Các phích cắm còn nguyên vẹn và ổ cắm phù hợp sẽ giảm nguy cơ điện giật.
2. **Tránh để cơ thể tiếp xúc với các bề mặt nổi đất hoặc tiếp đất như đường ống, bộ tản nhiệt, bếp ga và tủ lạnh.** Nguy cơ bị điện giật sẽ tăng lên nếu cơ thể bạn được nối đất hoặc tiếp đất.
3. **Không để dụng cụ máy tiếp xúc với mưa hoặc trong điều kiện ẩm ướt.** Nước lọt vào dụng cụ máy sẽ làm tăng nguy cơ điện giật.
4. **Không lạm dụng dây điện. Không được phép sử dụng dây để mang, kéo hoặc tháo phích cắm dụng cụ máy. Giữ dây tránh xa nguồn nhiệt, dầu, các mép sắc hoặc các bộ phận chuyển động.** Dây bị hỏng hoặc bị rơi sẽ làm tăng nguy cơ điện giật.

5. Khi vận hành dụng cụ máy ngoài trời, hãy sử dụng dây kéo dài phù hợp cho việc sử dụng ngoài trời. Việc dùng dây phù hợp cho việc sử dụng ngoài trời sẽ giảm nguy cơ điện giật.
6. Nếu bắt buộc phải vận hành dụng cụ máy ở nơi ẩm ướt, hãy sử dụng nguồn cấp điện được bảo vệ bằng thiết bị ngắt dòng điện rò (RCD). Việc sử dụng RCD sẽ làm giảm nguy cơ điện giật.

An toàn Cá nhân

1. Luôn tỉnh táo, quan sát những việc bạn đang làm và sử dụng những phán đoán theo kinh nghiệm khi vận hành dụng cụ máy. Không sử dụng dụng cụ máy khi bạn đang mệt mỏi hoặc chịu ảnh hưởng của ma túy, rượu hay thuốc. Chỉ một khoảnh khắc không tập trung khi đang vận hành dụng cụ máy cũng có thể dẫn đến thương tích cá nhân nghiêm trọng.
2. Sử dụng thiết bị bảo hộ cá nhân. Luôn đeo thiết bị bảo vệ mắt. Các thiết bị bảo hộ như mũ nạ chống bụi, giày an toàn chống trượt, mũ bảo hộ hay thiết bị bảo vệ thính giác được sử dụng trong các điều kiện thích hợp sẽ giúp giảm thương tích cá nhân.
3. Tránh vô tình khởi động dụng cụ máy. Đảm bảo công tắc ở vị trí off (tắt) trước khi nối nguồn điện và/hoặc bộ pin, cắm hoặc di chuyển dụng cụ máy. Việc di chuyển dụng cụ máy khi đang đặt ngón tay ở vị trí công tắc hoặc cấp điện cho dụng cụ máy đang bật thường dễ gây ra tai nạn.
4. Thao tác cả các khóa hoặc cờ lê điều chỉnh trước khi bật dụng cụ máy. Việc cờ lê hoặc khóa vẫn còn gắn vào bộ phận quay của dụng cụ máy có thể dẫn đến thương tích cá nhân.
5. Không với quá cao. Luôn giữ thăng bằng tốt và có chỗ để chân phù hợp. Điều này cho phép điều khiển dụng cụ máy tốt hơn trong những tình huống bất ngờ.
6. Ăn mặc phù hợp. Không mặc quần áo rộng hay đeo đồ trang sức. Giữ tóc, quần áo và găng tay tránh xa các bộ phận chuyển động. Quần áo rộng, đồ trang sức hay tóc dài có thể mắc vào các bộ phận chuyển động.
7. Nếu các thiết bị được cung cấp để kết nối các thiết bị thu gom và hút bụi, hãy đảm bảo chúng được kết nối và sử dụng hợp lý. Việc sử dụng thiết bị thu gom bụi có thể làm giảm những mối nguy hiểm liên quan đến bụi.

Sử dụng và bảo quản dụng cụ máy

1. Không dùng lực đối với dụng cụ máy. Sử dụng đúng dụng cụ máy cho công việc của bạn. Sử dụng đúng dụng cụ máy sẽ giúp thực hiện công việc tốt hơn và an toàn hơn theo giá trị định mức được thiết kế của dụng cụ máy đó.
2. Không sử dụng dụng cụ máy nếu công tắc không bật và tắt được dụng cụ máy đó. Mọi dụng cụ máy không thể điều khiển được bằng công tắc đều rất nguy hiểm và phải được sửa chữa.
3. Rút phích cắm ra khỏi nguồn điện và/hoặc ngắt kết nối bộ pin khỏi dụng cụ máy trước khi thực hiện bất kỳ công việc điều chỉnh, thay đổi phụ tùng hay cắt giữ dụng cụ máy nào. Những biện pháp an toàn phòng ngừa này sẽ giảm nguy cơ vô tình khởi động dụng cụ máy.

4. Cắt giữ các dụng cụ máy không sử dụng ngoài tầm với của trẻ em và không cho bất kỳ người nào không có hiểu biết về dụng cụ máy hoặc các hướng dẫn này vận hành dụng cụ máy. Dụng cụ máy sẽ rất nguy hiểm nếu được sử dụng bởi những người dùng chưa qua đào tạo.
5. Bảo quản dụng cụ máy. Kiểm tra tình trạng lịch trình hoặc bó kẹp của các bộ phận chuyển động, hiện tượng nứt vỡ của các bộ phận và mọi tình trạng khác mà có thể ảnh hưởng đến hoạt động của dụng cụ máy. Nếu có hỏng hóc, hãy sửa chữa dụng cụ máy trước khi sử dụng. Nhiều tai nạn xảy ra là do không bảo quản tốt dụng cụ máy.
6. Luôn giữ cho dụng cụ cắt được sắc bén và sạch sẽ. Những dụng cụ cắt được bảo quản tốt có mép cắt sắc sẽ ít bị kẹt hơn và dễ điều khiển hơn.
7. Sử dụng dụng cụ máy, phụ tùng và đầu dụng cụ cắt, v.v... theo các hướng dẫn này, có tính đến điều kiện làm việc và công việc được thực hiện. Việc sử dụng dụng cụ máy cho các công việc khác với công việc dự định có thể gây nguy hiểm.

Sử dụng và bảo quản dụng cụ dùng pin

1. Chỉ sạc pin lại với bộ sạc do nhà sản xuất quy định. Bộ sạc phù hợp với một loại bộ pin này có thể gây ra nguy cơ hỏa hoạn khi được dùng cho một bộ pin khác.
2. Chỉ sử dụng các dụng cụ máy với các bộ pin được quy định cụ thể. Việc sử dụng bất cứ bộ pin nào khác có thể gây ra thương tích và hỏa hoạn.
3. Khi không sử dụng bộ pin, hãy giữ tránh xa các đồ vật khác bằng kim loại, chẳng hạn như kẹp giày, tiền xu, chìa khóa, đinh, ốc vít hoặc các vật nhỏ bằng kim loại mà có thể làm nối tất các đầu cực pin. Các đầu cực pin bị đoản mạch có thể gây cháy hoặc hỏa hoạn.
4. Trong điều kiện sử dụng quá mức, pin có thể bị chảy nước; hãy tránh tiếp xúc. Nếu vô tình tiếp xúc với pin bị chảy nước, hãy rửa sạch bằng nước. Nếu dung dịch từ pin tiếp xúc với mắt, cần đi khám bác sĩ thêm. Dung dịch chảy ra từ pin có thể gây rát da hoặc bỏng.

Bảo dưỡng

1. Để nhân viên sửa chữa đủ trình độ bảo dưỡng dụng cụ máy của bạn và chỉ sử dụng các bộ phận thay thế đồng nhất. Việc này sẽ đảm bảo duy trì được độ an toàn của dụng cụ máy.
2. Tuân theo hướng dẫn dành cho việc bôi trơn và thay phụ tùng.
3. Giữ tay cầm khô, sạch, không dính dầu và mỡ.

Cảnh báo an toàn đối với máy bắn đinh chạy pin

1. Luôn đảm bảo rằng dụng cụ có chứa các bộ phận kẹp. Sử dụng máy bắn đinh không cẩn thận có thể làm cho bộ phận kẹp bất ngờ xẹt lửa và gây ra thương tích cá nhân.
2. Không chỉ dụng cụ về phía bạn hoặc bất kỳ ai ở gần đó. Việc tiết lưu sẽ bất ngờ xả bộ phận kẹp và gây ra thương tích.

3. **Không khởi hoạt dụng cụ trừ khi dụng cụ đang được giữ chặt với phôi gia công.** Nếu dụng cụ không tiếp xúc được với các phôi gia công, bộ phận kẹp có thể bị chệch hướng khỏi mục tiêu của bạn.
4. **Ngắt kết nối dụng cụ khỏi nguồn điện khi bộ phận kẹp bị kẹt trong dụng cụ.** Trong khi tháo bộ phận kẹp bị kẹt, nếu cầm máy bản định vào, có thể vô tình làm máy kích hoạt.
5. **Sử dụng thận trọng khi tháo một bộ phận kẹp bị kẹt.** Cơ chế có thể đang bị nén và bộ phận kẹp có thể được xả mạnh khi đang cố gắng giải phóng khỏi tình trạng kẹt.
6. **Không sử dụng máy bản định này kẹp dây cáp điện.** Nó không được thiết kế để lắp đặt cáp điện và có thể làm hỏng lớp cách điện của cáp điện gây ra điện giật hoặc nguy cơ cháy theo đó.
7. **Luôn mang kính bảo hộ để bảo vệ mắt bạn khỏi bụi hoặc thương tích do bộ phận kẹp.**
⚠CẢNH BÁO: Trách nhiệm của chủ lao động là bắt buộc người vận hành dụng cụ và những người khác trong khu vực làm việc cạnh đó phải sử dụng thiết bị bảo hộ mắt an toàn.
8. **Giữ tay và chân tránh xa khỏi khu vực công tống bụi.**
9. **Tuân theo hướng dẫn dành cho việc bôi trơn và thay phụ tùng.**
10. **Luôn tháo hộp pin trước khi nạp bộ phận kẹp, điều chỉnh, kiểm tra, bảo dưỡng hoặc sau khi kết thúc vận hành.**
11. **Đảm bảo không có bất kỳ ai đang đứng gần trước khi vận hành.** Không cố bắt vít vào bộ phận kẹp từ cả bên trong và bên ngoài tương cùng một lúc. Bộ phận kẹp có thể bị nứt toác và/hoặc bay ra ngoài, biểu thị nguy hiểm nghiêm trọng.
12. **Cẩn thận với chỗ để chân và duy trì thăng bằng của bạn với dụng cụ.** Đảm bảo rằng không có ai bên dưới khi đang làm việc ở những nơi cao.
13. **Không bao giờ sử dụng dụng cụ bản vít bộ phận kẹp được đánh dấu với biểu tượng “Không sử dụng trên giàn giáo, thang” cho ứng dụng cụ thể, ví dụ:**
 - khi thay đổi vị trí bản vít sang một vị trí khác liên quan đến việc sử dụng giàn giáo, cầu thang, thang, hoặc thang dùng cho công trình xây dựng, ví dụ: cầu gỗ có mái che;
 - hộp hoặc thùng đóng;
 - hệ thống an toàn giao thông phù hợp ví dụ trên xe và toa xe.
14. **Kiểm tra các bức tường, trần, sàn, mái nhà và các loại tương tự cẩn thận để tránh điện giật có thể xảy ra, rò rỉ gas, cháy nổ, v.v... gây ra do bản đinh vào dây điện trần, đường ống hoặc ống dẫn khí.**
15. **Chỉ sử dụng các bộ phận kẹp được quy định trong sách hướng dẫn này.** Việc sử dụng bất cứ bộ phận kẹp nào khác đều có thể làm hư hỏng dụng cụ.
16. **Không được làm thay đổi dụng cụ hoặc cố gắng sử dụng dụng cụ cho mục đích khác hơn việc bắt vít bộ phận kẹp.**
17. **Không vận hành dụng cụ khi không có các bộ phận kẹp.** Điều này sẽ làm rút ngắn tuổi thọ của dụng cụ.
18. **Ngừa vận hành bắt vít ngay nếu bạn nhận thấy điều gì đó sai hoặc không được bình thường với dụng cụ này.**
19. **Không bao giờ được xiết chặt vào bất cứ vật liệu nào mà có thể cho phép bộ phận kẹp đâm thủng và bắn xuyên qua như một đầu đạn.**
20. **Không bao giờ khởi hoạt cần khởi động công tắc và linh kiện tiếp xúc cùng một lúc cho đến khi bạn đã chuẩn bị sẵn sàng xiết chặt phôi gia công.** Để phôi gia công ấn xuống linh kiện tiếp xúc. Không bao giờ được làm hỏng mục đích sử dụng của nó bằng cách giữ chặt linh kiện tiếp xúc lại hoặc ấn xuống bằng tay.
21. **Không bao giờ làm thay đổi linh kiện tiếp xúc.** Kiểm tra linh kiện tiếp xúc thường xuyên để vận hành đúng cách.
22. **Luôn tháo bộ phận kẹp khỏi dụng cụ khi không sử dụng.**

LƯU GIỮ CÁC HƯỚNG DẪN NÀY.

⚠CẢNH BÁO: KHÔNG vì đã thoải mái hay quen thuộc với sản phẩm (có được do sử dụng nhiều lần) mà không tuân thủ nghiêm ngặt các quy định về an toàn dành cho sản phẩm này. VIỆC DÙNG SAI hoặc không tuân theo các quy định về an toàn được nêu trong tài liệu hướng dẫn này có thể dẫn đến thương tích cá nhân nghiêm trọng.

Hướng dẫn quan trọng về an toàn dành cho hộp pin

1. Trước khi sử dụng hộp pin, hãy đọc kỹ tất cả các hướng dẫn và dấu hiệu cảnh báo trên (1) bộ sạc pin, (2) pin và (3) sản phẩm sử dụng pin.
2. Không tháo rời hộp pin.
3. Nếu thời gian vận hành ngắn hơn quá mức, hãy ngừng vận hành ngay lập tức. Điều này có thể dẫn đến rủi ro quá nhiệt, có thể gây bỏng và thậm chí là nổ.
4. Nếu chất điện phân rơi vào mắt, hãy rửa sạch bằng nước sạch và đến cơ sở y tế ngay lập tức. Chất này có thể khiến bạn giảm thị lực.
5. Không để hộp pin ở tình trạng đoản mạch:
 - (1) Không chạm vào cực pin bằng vật liệu dẫn điện.
 - (2) Tránh cất giữ hộp pin trong hộp có các vật kim loại khác như đinh, tiền xu, v.v...
 - (3) Không được để hộp pin tiếp xúc với nước hoặc mưa.
 Đoản mạch pin có thể gây ra dòng điện lớn, quá nhiệt, có thể gây bỏng và thậm chí là hỏng hộp.
6. Không cất giữ dụng cụ và hộp pin ở nơi nhiệt độ có thể lên tới hoặc vượt quá 50°C.
7. Không đốt hộp pin ngay cả khi hộp pin đã bị hư hại nặng hoặc hư hỏng hoàn toàn. Hộp pin có thể nổ khi tiếp xúc với lửa.

8. **Hãy cẩn trọng không làm rơi hoặc làm méo pin.**
9. **Không sử dụng pin đã hỏng.**
10. **Pin nén lithium-ion là đối tượng có yêu cầu bắt buộc theo Luật Hàng hoá Nguy hiểm.**
Đối với vận tải thương mại, ví dụ như vận tải do bên thứ ba, đại lý giao nhận, thì yêu cầu đặc biệt về đóng gói và nhãn ghi phải được giám sát.
Để chuẩn bị cho mặt hàng cần vận chuyển, cần phải tham khảo ý kiến chuyên gia về vật liệu nguy hiểm. Nếu được, vui lòng tuân thủ các quy định quốc gia chi tiết hơn.
Buộc hoặc niêm phong các tiếp điểm mở và đóng gói pin theo cách đó để nó không thể di chuyển trong bao bì.
11. **Khi vứt bỏ hộp pin, hãy tháo chúng khỏi dụng cụ và thải bỏ ở nơi an toàn. Phải tuân thủ theo các quy định của địa phương liên quan đến việc thải bỏ pin.**
12. **Chỉ sử dụng pin cho các sản phẩm Makita chỉ định.** Lắp pin vào sản phẩm không thích hợp có thể gây ra hoả hoạn, quá nhiệt, nổ, hoặc rò chất điện phân.
13. **Nếu dụng cụ không được sử dụng trong một thời gian dài, cần phải tháo pin ra khỏi dụng cụ.**

LƯU GIỮ CÁC HƯỚNG DẪN NÀY.

⚠ THẬN TRỌNG: Chỉ sử dụng pin Makita chính hãng. Việc sử dụng pin không chính hãng Makita, hoặc pin đã được sửa đổi, có thể dẫn đến nổ pin gây ra cháy, thương tích và thiệt hại cá nhân. Nó cũng sẽ làm mất hiệu lực bảo hành của Makita dành cho dụng cụ của Makita và bộ sạc.

Mẹo duy trì tuổi thọ tối đa cho pin

1. **Sạc hộp pin trước khi pin bị xả điện hoàn toàn.** Luôn dừng việc vận hành dụng cụ và sạc pin khi bạn nhận thấy công suất dụng cụ bị giảm.
2. **Không được phép sạc lại một hộp pin đã được sạc đầy.** Sạc quá mức sẽ làm giảm tuổi thọ của pin.
3. **Sạc pin ở nhiệt độ phòng 10°C - 40°C.** Để cho hộp pin nóng nguội lại dần trước khi sạc pin.

MÔ TẢ CHỨC NĂNG

⚠ THẬN TRỌNG: Luôn đảm bảo rằng đã tắt dụng cụ và tháo hộp pin ra trước khi thực hiện việc điều chỉnh hoặc kiểm tra chức năng trên dụng cụ.

Lắp hoặc tháo hộp pin

⚠ THẬN TRỌNG: Luôn tắt dụng cụ trước khi lắp hoặc tháo hộp pin.

⚠ THẬN TRỌNG: Giữ dụng cụ và hộp pin thật chắc khi lắp hoặc tháo hộp pin. Không giữ dụng cụ và hộp pin thật chắc có thể làm trượt chúng khỏi tay và làm hư hỏng dụng cụ và hộp pin hoặc gây thương tích cá nhân.

► **Hình1:** 1. Đèn chỉ báo màu đỏ 2. Nút 3. Hộp pin

Để tháo hộp pin, vừa trượt pin ra khỏi dụng cụ vừa đẩy trượt nút ở phía trước hộp pin.

Để lắp hộp pin, đặt thẳng hàng phần chốt nhô ra của hộp pin vào phần rãnh nằm trên vỏ và trượt hộp pin vào vị trí. Đưa hộp pin vào cho đến khi chốt khóa vào đúng vị trí với một tiếng "cách" nhẹ. Nếu bạn vẫn còn nhìn thấy đèn chỉ báo màu đỏ ở mặt trên của nút, điều đó có nghĩa là chốt vẫn chưa được khóa hoàn toàn.

⚠ THẬN TRỌNG: Luôn lắp hộp pin khớp hoàn toàn vào vị trí cho đến khi không thể nhìn thấy đèn chỉ báo màu đỏ. Nếu không, hộp pin có thể vô tình rơi ra khỏi dụng cụ, gây thương tích cho bạn hoặc người khác xung quanh.

⚠ THẬN TRỌNG: Không được dùng sức lắp hộp pin. Nếu hộp pin không nhẹ nhàng trượt vào vị trí, có nghĩa là pin vẫn chưa được lắp đúng.

Hệ thống bảo vệ pin

Dụng cụ này được trang bị hệ thống bảo vệ pin. Hệ thống này sẽ tự động ngắt nguồn điện đến động cơ để kéo dài tuổi thọ pin.

Dụng cụ sẽ tự động dừng khi đang vận hành nếu dụng cụ và/hoặc pin ở một trong những trường hợp sau đây:

Quá tải:

Dụng cụ được vận hành theo cách gây ra dòng điện cao bất thường.

Trong trường hợp này, hãy tắt dụng cụ và ngừng ứng dụng làm cho dụng cụ trở nên quá tải. Sau đó bật dụng cụ lên để khởi động lại.

Nếu dụng cụ không khởi động, pin đang bị quá nhiệt.

Trong tình huống này, hãy để pin nguội trở lại trước khi bật dụng cụ lại.

Điện thế pin thấp:









Dung lượng pin còn lại quá thấp và dụng cụ sẽ không hoạt động. Nếu bạn bật dụng cụ, động cơ không chạy hoặc động cơ tiếp tục chạy lại nhưng sẽ sớm ngừng. Trong tình huống này, hãy tháo và sạc pin lại.

Chỉ báo dung lượng pin còn lại

Chỉ dành cho hộp pin có đèn chỉ báo

► **Hình2:** 1. Các đèn chỉ báo 2. Nút Check (kiểm tra)

Ấn nút check (kiểm tra) trên hộp pin để chỉ báo dung lượng pin còn lại. Các đèn chỉ báo bật sáng lên trong vài giây.

Các đèn chỉ báo		Dung lượng còn lại
Bật sáng	Tắt	
		75% đến 100%
		50% đến 75%
		25% đến 50%
		0% đến 25%

LƯU Ý: Tùy thuộc vào các điều kiện sử dụng và nhiệt độ xung quanh, việc chỉ báo có thể khác biệt một chút so với dung lượng thực sự.

Nút khóa cần khởi động

⚠ THẬN TRỌNG: Trước khi lắp hộp pin vào dụng cụ, luôn luôn kiểm tra xem cần khởi động công tắc có hoạt động bình thường hay không và trả về vị trí “OFF” (TẮT) khi nhả ra.

⚠ THẬN TRỌNG: Khi không vận hành dụng cụ, ấn xuống nút khóa cần khởi động từ bên B để khóa cần khởi động công tắc ở vị trí OFF (TẮT).

► **Hình3:** 1. Nút khóa cần khởi động 2. Cần khởi động công tắc

► **Hình4**

Để ngăn ngừa vô tình kéo cần khởi động công tắc, dụng cụ được trang bị một nút khóa cần khởi động. Để kéo cần khởi động công tắc, hãy ấn xuống nút khóa cần khởi động từ bên A. Sau khi sử dụng, luôn luôn ấn vào nút khóa cần khởi động từ bên B.

Điều chỉnh độ sâu bắn đinh

⚠ CẢNH BÁO: Luôn đảm bảo rằng ngón tay bạn không đặt trên cần khởi động công tắc hoặc linh kiện tiếp xúc và hộp pin được tháo rời trước khi điều chỉnh độ sâu bắn đinh.

Độ sâu bắn đinh có thể điều chỉnh được trên máy bắn đinh này. Để điều chỉnh độ sâu bắn đinh, bật bộ điều chỉnh. Độ sâu bắn đinh sâu nhất khi bộ điều chỉnh được bật hoàn toàn theo hướng A trong hình vẽ. Nó sẽ trở nên nông hơn khi bộ điều chỉnh được bật theo hướng B. Có thể điều chỉnh độ sâu tối đa là 1,5 mm.

► **Hình5:** 1. Bộ điều chỉnh

► **Hình6:** 1. Quá sâu 2. Ngang bằng 3. Quá nông

Bật sáng đèn

⚠ THẬN TRỌNG: Đừng nhìn thẳng trực tiếp vào đèn hoặc nguồn sáng.

Kéo cần khởi động công tắc hoặc khởi hoạt linh kiện tiếp xúc để bật sáng đèn. Đèn sẽ vẫn sáng trong lúc đang kéo cần khởi động công tắc hoặc đang khởi hoạt linh kiện tiếp xúc. Đèn sẽ tắt khoảng 10 giây sau khi nhả cần khởi động công tắc và linh kiện tiếp xúc.

► **Hình7:** 1. Đèn

LƯU Ý: Dùng vải khô để lau bụi bẩn trên kính đèn. Cần thận không được làm xước kính đèn, nếu không đèn có thể bị giảm độ sáng.

LƯU Ý: Thậm chí đèn bật sáng khi nguồn pin còn lại nhỏ, máy bắn đinh có thể không làm cháy đinh. Trong trường hợp này, hãy sạc lại hộp pin.

LẮP RÁP

⚠ THẬN TRỌNG: Luôn đảm bảo rằng ngón tay bạn không đặt trên cần khởi động công tắc hoặc linh kiện tiếp xúc và hộp pin được tháo rời trước khi thực hiện bất cứ công việc nào trên máy bắn đinh.

Nạp máy bắn đinh

⚠ THẬN TRỌNG: Luôn đảm bảo rằng đã tháo hộp pin ra trước khi nạp máy bắn đinh. Xet lửa ngoài ý muốn có thể gây ra thương tích cá nhân và thiệt hại tài sản.

⚠ THẬN TRỌNG: Không được bắt ngò trượt ổ nạp đinh của máy bắn đinh đã được nạp đinh. Việc vô tình làm rơi đinh đặc biệt khi làm ở những vị trí trên cao có thể gây ra thương tích cá nhân.

⚠ THẬN TRỌNG: Nạp đinh đúng hướng. Nạp sai hướng có thể gây ra hao mòn sớm cho thanh dẫn và hư hỏng cho các bộ phận khác.

⚠ THẬN TRỌNG: Không sử dụng đinh biến dạng. Chỉ sử dụng đinh được quy định trong sách hướng dẫn này. Sử dụng đinh khác quy định có thể gây ra kẹt đinh và hư hỏng máy bắn đinh.

1. Tháo hộp pin.
2. Ấn cần khóa và trượt ổ nạp đinh ngược trở lại.
3. Căn chỉnh đầu đinh với rãnh ở đáy ổ nạp đinh và đẩy toàn bộ đinh về phía thanh dẫn đinh. (Cần thận để lắp đinh đúng hướng)
► **Hình8:** 1. Đinh bắn 2. Ổ nạp đinh 3. Cần khóa 4. Thanh dẫn
4. Sau khi nạp đinh, đẩy ổ nạp đinh vào đúng vị trí cho đến khi kêu cách.
Để tháo đinh, hãy làm ngược lại quy trình lắp vào.

Đầu chuyển mũi

⚠ THẬN TRỌNG: Luôn đảm bảo rằng ngón tay bạn không đặt trên cần khởi động công tắc hoặc linh kiện tiếp xúc và hộp pin được tháo rời trước khi lắp đặt đầu chuyển mũi.

Khi định xẹt lửa trên vật liệu với bề mặt dễ xước, sử dụng đầu chuyển mũi. Để lắp đặt đầu chuyển mũi, lắp nó trên bộ phận chắn ổ định để phần nhô ra bên trong đầu chuyển mũi khớp với rãnh cắt trong bộ phận chắn ổ định.

Bạn có thể cất giữ đầu chuyển mũi trên giá đỡ phía sau ổ nạp định để tránh làm mất.

► **Hình9:** 1. Rãnh cắt 2. Phần nhô ra 3. Đầu chuyển mũi 4. Giá đỡ

Móc treo

⚠ THẬN TRỌNG: Không treo móc treo từ đai lưng. Việc làm rơi định do móc treo vô tình nằm ngoài vị trí có thể xẹt lửa ngoài ý muốn và dẫn đến thương tích cá nhân.

► **Hình10**

Móc treo rất thuận tiện cho việc treo tạm dụng cụ. Móc treo có thể được lắp ở cả hai bên của dụng cụ.

Để lắp đặt móc treo, hãy lắp nó vào rãnh trên vỏ dụng cụ trên bất cứ mặt nào và sau đó xiết chặt lại bằng vít. Để tháo ra, hãy vặn lỏng vít rồi lấy móc treo ra.

► **Hình11:** 1. Rãnh 2. Móc treo 3. Vít

Cất giữ cờ lê sáu cạnh

Khi không sử dụng, cất giữ cờ lê sáu cạnh như được minh họa trong hình để tránh làm mất.

► **Hình12:** 1. Cờ lê sáu cạnh

VẬN HÀNH

Kiểm tra hệ thống an toàn

⚠ CẢNH BÁO: Đảm bảo rằng tất cả các hệ thống an toàn đều trong tình trạng làm việc bình thường trước khi vận hành. Không làm như vậy có thể gây ra thương tích cá nhân.

► **Hình13:** 1. Nút khóa cần khởi động 2. Cần khởi động công tắc 3. Linh kiện tiếp xúc 4. Ổ nạp định

Kiểm tra hệ thống an toàn về các lỗi có thể xảy ra trước khi vận hành như sau.

1. Tháo định bắn khởi động dụng cụ và giữ cho ổ nạp định mở ra.
2. Lắp đặt hộp pin và nhà khóa cần khởi động.
3. Chỉ kéo cần khởi động công tắc mà không để chạm linh kiện tiếp xúc vào vật liệu.

4. Chỉ để chạm linh kiện tiếp xúc với vật liệu mà không kéo cần khởi động công tắc.

Nếu dụng cụ vận hành trong trường hợp 3 và 4 ở trên, hệ thống an toàn sẽ bị lỗi. Ngừng sử dụng dụng cụ ngay lập tức và yêu cầu trung tâm dịch vụ địa phương của bạn.

Bắn định

⚠ CẢNH BÁO: Tiếp tục đặt linh kiện tiếp xúc thật chắc lên vật liệu cho đến khi hoàn tất bắn định. Xẹt lửa ngoài ý muốn có thể gây ra thương tích cá nhân.

1. Nhả khóa cần khởi động.
 2. Đặt thẳng bằng linh kiện tiếp xúc trên vật liệu.
 3. Kéo cần khởi động công tắc hết cỡ để bắn định.
 4. Để tiếp tục lần bắn tiếp theo, nhả ngón tay khỏi cần khởi động công tắc, và sau đó lặp lại bước 2 và bước 3 ở trên.
- **Hình14:** 1. Cần khởi động công tắc 2. Linh kiện tiếp xúc

Bạn cũng có thể bắn định khi kéo dụng cụ ở vùng kề cận bằng linh kiện tiếp xúc đập trên vật liệu và kéo cần khởi động công tắc.

► **Hình15**

Nếu đầu định bắn vẫn còn nằm trên bề mặt phối gia công, hãy bắn định khi đang giữ chắc đầu định từ lên phối gia công.

► **Hình16**

LƯU Ý: Nếu đầu định bắn vẫn ở trên phối gia công ngay cả khi bạn giữ đầu định, vật liệu có thể không phù hợp với định. Tiếp tục sử dụng máy bắn định trên vật liệu như vậy có thể gây hư hỏng cho đầu bắn của máy bắn định và/hoặc làm kẹt định.

Cơ chế chống khô, cháy

⚠ CẢNH BÁO: Luôn đảm bảo ngón tay bạn không đặt trên cần khởi động công tắc hoặc linh kiện tiếp xúc và hộp pin được tháo rời trước khi chạy máy bắn định.

Khi số lượng định còn lại trong ổ nạp định là 0 - 3 chiếc, không thể kéo cần khởi động công tắc được nữa. Lúc này, hãy lắp đai truyền định bắn mới vào ổ nạp định và kéo cần khởi động công tắc lần nữa.

LƯU Ý: Khi bắn nhiều định bắn có chiều dài khác nhau ngay sau khi khởi hoạt thiết bị chống bắn khô, hãy lắp đai truyền định bắn mới vào ổ nạp định và bắn tất cả định còn lại trước đó vào vật liệu thải.

Kiểm tra định bắn còn lại

Bạn có thể kiểm tra lượng định bắn còn lại thông qua cửa sổ quan sát.

Đèn chỉ báo màu đỏ sẽ di chuyển theo hướng xiết mở ra bằng lượng định bắn ít hơn còn lại.

► **Hình17:** 1. Cửa sổ ngắm 2. Đèn chỉ báo

Tháo đinh bắn bị kẹt

⚠ CẢNH BÁO: Luôn đảm bảo rằng đã tháo hộp pin ra trước khi tháo đinh bắn bị kẹt.

Lấy đinh bắn còn lại trong ổ nạp đinh ra.

Tháo ba vít gắn trong bộ phận chắn ổ đinh bằng cờ lê sáu cạnh.

Lấy đinh bị kẹt ra khỏi rãnh dẫn đinh khi chúng xuất hiện.

Nếu khó lấy đinh bị kẹt ra, hãy tiếp tục tháo hai vít gắn trên khớp nối bộ nắp trên bằng cờ lê sáu cạnh. Sau đó lấy chúng ra.

► **Hình18:** 1. Bộ phận chắn ổ đinh 2. Vít 3. Bộ phận nắp tiếp xúc trên

BẢO TRÌ

⚠ THẬN TRỌNG: Hãy luôn chắc chắn rằng dụng cụ đã được tắt và hộp pin đã được tháo ra trước khi cố gắng thực hiện việc kiểm tra hay bảo dưỡng.

CHÚ Ý: Không được phép dùng xăng, ét xăng, dung môi, cồn hoặc hóa chất tương tự. Có thể xảy ra hiện tượng mất màu, biến dạng hoặc nứt vỡ.

Để đảm bảo ĐỘ AN TOÀN và ĐỘ TIN CẬY của sản phẩm, việc sửa chữa hoặc bất cứ thao tác bảo trì, điều chỉnh nào đều phải được thực hiện bởi các Trung tâm Dịch vụ Nhà máy hoặc Trung tâm được Makita Ủy quyền và luôn sử dụng các phụ tùng thiết bị thay thế của Makita.

PHỤ KIỆN TỰ CHỌN

⚠ THẬN TRỌNG: Các phụ kiện hoặc phụ tùng gắn thêm này được khuyến cáo sử dụng với dụng cụ Makita của bạn theo như quy định trong hướng dẫn này. Việc sử dụng bất cứ phụ kiện hoặc phụ tùng gắn thêm nào khác đều có thể gây ra rủi ro thương tích cho người. Chỉ sử dụng phụ kiện hoặc phụ tùng gắn thêm cho mục đích đã quy định sẵn của chúng.

Nếu bạn cần bất kỳ sự hỗ trợ nào để biết thêm chi tiết về các phụ tùng này, hãy hỏi Trung tâm Dịch vụ của Makita tại địa phương của bạn.

- Đinh bắn
- Pin và bộ sạc chính hãng của Makita
- Kính bảo hộ

LƯU Ý: Một số mục trong danh sách có thể được bao gồm trong gói dụng cụ làm phụ kiện tiêu chuẩn. Các mục này ở mỗi quốc gia có thể khác nhau.

ข้อมูลจำเพาะ

รุ่น:	PT354D	
ขนาดของตะปูเข็ม	Ø0.6 mm x 15, 18, 25, 30, 35 mm	
ความจุของแม่กาวขึ้นตะปูเข็ม	100 ชิ้น	
ขนาด แบบไม่มีขอกเกี่ยว (ยาว x กว้าง x สูง)	231 mm x 80 mm x 226 mm	
แรงดันไฟฟ้าสูงสุด	D.C. 10.8 V - 12 V max	
ดัลับแบตเตอรี่	BL1015, BL1016, BL1020B, BL1021B	BL1040B, BL1041B
น้ำหนักสุทธิ	1.8 kg	2.0 kg

- เนื่องจากการค้นคว้าวิจัยและพัฒนาอย่างต่อเนื่อง ข้อมูลจำเพาะในเอกสารฉบับนี้อาจเปลี่ยนแปลงได้โดยไม่ต้องแจ้งให้ทราบล่วงหน้า
- ข้อมูลจำเพาะและดัลับแบตเตอรี่อาจแตกต่างกันไปในแต่ละประเทศ
- น้ำหนักอาจแตกต่างกันไปตามอุปกรณ์เสริม รวมถึงดัลับแบตเตอรี่ การติดอุปกรณ์เสริมที่เบาที่สุดและหนักที่สุดตามข้อบังคับของ EPTA 01/2014 มีแสดงอยู่ในตาราง

สัญลักษณ์

ต่อไปนี้เป็นสัญลักษณ์ที่ใช้สำหรับอุปกรณ์ โปรดศึกษาความหมายของสัญลักษณ์ให้เข้าใจก่อนการใช้งาน



อ่านคู่มือการใช้งาน



สำหรับประเทศในสหภาพยุโรปเท่านั้น ห้ามทิ้งอุปกรณ์ไฟฟ้าหรือชุดแบตเตอรี่ร่วมกับขยะครัวเรือนทั่วไป! เพื่อให้เป็นไปตามกฎระเบียบของยุโรปเกี่ยวกับขยะจำพวกอุปกรณ์ไฟฟ้าและอิเล็กทรอนิกส์ และขยะจำพวกแบตเตอรี่และหม้อสะสมไฟฟ้า และการปฏิบัติตามกฎหมายในประเทศ ต้องเก็บอุปกรณ์ไฟฟ้าและแบตเตอรี่และชุดแบตเตอรี่ทั้งหมดอายุการใช้งานแล้วแยกต่างหาก และส่งกลับไปยังศูนย์รีไซเคิลที่เป็นมิตรต่อสิ่งแวดล้อม

จุดประสงค์การใช้งาน

เครื่องมือนี้ใช้สำหรับกดตะปูเข็มเข้าไปในวัสดุก่อสร้าง เช่น ไม้

คำเตือนด้านความปลอดภัย

คำเตือนด้านความปลอดภัยของเครื่องมือไฟฟ้าทั่วไป

คำเตือน: อ่านคำเตือนด้านความปลอดภัยและคำแนะนำทั้งหมด การไม่ปฏิบัติตามคำเตือนและคำแนะนำดังกล่าวอาจส่งผลให้ไฟฟ้าช็อต ไฟไหม้ และ/หรือได้รับบาดเจ็บร้ายแรง

เก็บรักษาคำเตือนและคำแนะนำทั้งหมดไว้เป็นข้อมูลอ้างอิงในอนาคต

คำว่า "เครื่องมือไฟฟ้า" ในคำเตือนนี้หมายถึงเครื่องมือไฟฟ้า (มีสาย) ที่ทำงานโดยใช้กระแสไฟฟ้าหรือเครื่องมือไฟฟ้า (ไร้สาย) ที่ทำงานโดยใช้แบตเตอรี่

ความปลอดภัยของพื้นที่ทำงาน

1. ดูแลพื้นที่ทำงานให้มีความสะอาดและมีแสงไฟสว่าง พื้นที่ที่กระเบื้องกระเบื้องหรือมิดที่บอบบางนำไปสู่การเกิดอุบัติเหตุได้

- อย่าใช้งานเครื่องมือไฟฟ้าในสภาพที่อาจเกิดการระเบิด เช่น ในสถานที่ที่มีของเหลว ก๊าซ หรือฝุ่นผงที่มีคุณสมบัติไวไฟ เครื่องมือไฟฟ้าอาจสร้างประกายไฟและจุดชนวนฝุ่นผงหรือก๊าซดังกล่าว
- ดูแลไม่ให้มีเด็ก หรือบุคคลอื่นอยู่ในบริเวณที่กำลังใช้เครื่องมือไฟฟ้า การมีสิ่งรบกวนสมาธิอาจทำให้คุณสูญเสียการควบคุม

ความปลอดภัยด้านไฟฟ้า

- ปลั๊กของเครื่องมือไฟฟ้าต้องพอดีกับเต้ารับ อย่าดัดแปลงปลั๊กไม่ว่ากรณีใดๆ อย่าใช้ปลั๊กอะแดปเตอร์กับเครื่องมือไฟฟ้าที่ต่อสายดิน ปลั๊กที่ไม่ถูกดัดแปลงและเต้ารับที่เข้ากันพอดีจะช่วยลดความเสี่ยงของการเกิดไฟฟ้าช็อต
- ระวังอย่าให้ร่างกายสัมผัสกับพื้นผิวที่ต่อสายดิน เช่น ท่อ เครื่องนำความร้อน เตาहुงต้ม และตู้เย็น มีความเสี่ยงที่จะเกิดไฟฟ้าช็อตสูงขึ้น หากร่างกายของคุณสัมผัสกับพื้น
- อย่าให้เครื่องมือไฟฟ้าถูกน้ำหรืออยู่ในสภาพเปียกชื้น น้ำที่ไหลเข้าไปในเครื่องมือไฟฟ้าจะเพิ่มความเสี่ยงของการเกิดไฟฟ้าช็อต
- อย่าใช้สายไฟอย่างไม่เหมาะสม อย่าใช้สายไฟเพื่อยก ดึง หรือถอดปลั๊กเครื่องมือไฟฟ้า เก็บสายไฟให้ห่างจากความร้อน น้ำมัน ของมีคม หรือชิ้นส่วนที่เคลื่อนที่ สายที่ชำรุดหรือพันกันจะเพิ่มความเสี่ยงของการเกิดไฟฟ้าช็อต
- ขณะที่ใช้งานเครื่องมือไฟฟ้านอกอาคาร ควรใช้สายต่อพ่วงที่เหมาะสมกับงานภายนอกอาคาร การใช้สายที่เหมาะสมกับงานภายนอกอาคารจะลดความเสี่ยงของการเกิดไฟฟ้าช็อต
- หากต้องใช้งานเครื่องมือไฟฟ้าในสถานที่เปียกชื้น ให้ใช้อุปกรณ์ป้องกันกระแสรั่ว (RCD) การใช้ RCD จะลดความเสี่ยงของการเกิดไฟฟ้าช็อต

ความปลอดภัยส่วนบุคคล

- ให้ระมัดระวังและมีสติอยู่เสมอขณะใช้งานเครื่องมือไฟฟ้า อย่าใช้งานเครื่องมือไฟฟ้าในขณะที่คุณกำลังเหนื่อย หรือในสภาพที่สิ้นเมามากจากยาเสพติด เครื่องดื่ม แอลกอฮอล์ หรือการเข้ายา ชั่วขณะที่ขาดความระมัดระวังเมื่อกำลังใช้งานเครื่องมือไฟฟ้าอาจทำให้ได้รับบาดเจ็บร้ายแรง
- ใช้อุปกรณ์ป้องกันส่วนบุคคล สวมแว่นตาป้องกันเสมอ อุปกรณ์ป้องกัน เช่น หน้ากากกันฝุ่น รองเท้านิรภัย กันลื่น หมวกนิรภัย หรือเครื่องป้องกันการได้ยินที่ใช้ในสภาพที่เหมาะสมจะช่วยลดการบาดเจ็บ

- ป้องกันไม่ให้เกิดการเปิดใช้งานโดยไม่ตั้งใจ ตรวจสอบให้แน่ใจว่าสวิตช์ปิดอยู่ก่อนที่จะเชื่อมต่อกับแหล่งจ่ายไฟ และ/หรือชุดแบตเตอรี่ รวมทั้งตรวจสอบก่อนการยกหรือเคลื่อนย้ายเครื่องมือ การสอดนิ้วมือบริเวณสวิตช์เพื่อถือเครื่องมือไฟฟ้า หรือการชาร์จไฟเครื่องมือไฟฟ้าในขณะที่เปิดสวิตช์อยู่อาจนำไปสู่การเกิดอุบัติเหตุ
- นำกฎแบริ่งตั้งหรือประแจออกก่อนที่จะเปิดเครื่องมือไฟฟ้า ประแจหรือกฎแบริ่งที่เสียบค้างอยู่ในชิ้นส่วนที่หมุนไต่ของเครื่องมือไฟฟ้าอาจทำให้ได้รับบาดเจ็บ
- อย่าทำงานในระยะที่สุดเอื้อม จัดท่ากายยืนและการทรงตัวให้เหมาะสมตลอดเวลา เพราะจะทำให้ควบคุมเครื่องมือไฟฟ้าได้ดีขึ้นในสถานการณ์ที่ไม่คาดคิด
- แต่งกายให้เหมาะสม อย่าสวมเครื่องแต่งกายที่หลวมเกินไป หรือสวมเครื่องประดับ ดูแลไม่ให้เส้นผม เสื้อผ้า และถุงมืออยู่ใกล้ชิ้นส่วนที่เคลื่อนที่ เสื้อผ้า รุ่มร่าม เครื่องประดับ หรือผมที่มีความยาวอาจเข้าไปติดในชิ้นส่วนที่เคลื่อนที่
- หากมีการจัดอุปกรณ์สำหรับดูดและจัดเก็บฝุ่นไว้ในสถานที่ ให้ตรวจสอบว่าได้เชื่อมต่อและใช้งานอุปกรณ์นั้นอย่างเหมาะสม การใช้เครื่องดูดและจัดเก็บฝุ่นจะช่วยลดอันตรายที่เกิดจากฝุ่นผงได้

การใช้และดูแลเครื่องมือไฟฟ้า

- อย่าฝืนใช้เครื่องมือไฟฟ้า ใช้เครื่องมือไฟฟ้าที่เหมาะสมกับการใช้งานของคุณ เครื่องมือไฟฟ้าที่เหมาะสมจะทำให้ได้งานที่มีประสิทธิภาพและปลอดภัยกว่าตามขีดความสามารถของเครื่องที่ได้รับการออกแบบมา
- อย่าใช้เครื่องมือไฟฟ้า หากสวิตช์ไม่สามารถเปิดปิดได้ เครื่องมือไฟฟ้าที่ควบคุมด้วยสวิตช์ไม่ได้เป็นสิ่งอันตรายและต้องได้รับการซ่อมแซม
- ถอดปลั๊กจากแหล่งจ่ายไฟ และ/หรือชุดแบตเตอรี่ออกจากเครื่องมือไฟฟ้าก่อนทำการปรับตั้ง เปลี่ยนอุปกรณ์เสริม หรือจัดเก็บเครื่องมือไฟฟ้า วิธีการป้องกันด้านความปลอดภัยดังกล่าวจะช่วยลดความเสี่ยงของการเปิดใช้งานเครื่องมือไฟฟ้าโดยไม่ตั้งใจ
- จัดเก็บเครื่องมือไฟฟ้าที่ไม่ได้ใช้งานให้ห่างจากมือเด็ก และอย่าอนุญาตให้บุคคลที่ไม่คุ้นเคยกับเครื่องมือไฟฟ้าหรือคำแนะนำเหล่านี้ใช้งานเครื่องมือไฟฟ้า เครื่องมือไฟฟ้าจะเป็นอันตรายเมื่ออยู่ในมือของผู้ที่ไม่ได้รับการฝึกอบรม

5. การดูแลรักษาเครื่องมือไฟฟ้า ตรวจสอบการประกอบที่ไม่ถูกต้องหรือการเชื่อมต่อของชิ้นส่วนที่เคลื่อนที่ การแตกหักของชิ้นส่วน หรือสภาพอื่นๆ ที่อาจส่งผลกระทบต่อการทำงานของเครื่องมือไฟฟ้า หากมีความเสียหาย ให้นำเครื่องมือไฟฟ้าไปซ่อมแซมก่อนการใช้งาน อุบัติเหตุจำนวนมากเกิดจากการดูแลรักษาเครื่องมือไฟฟ้าอย่างไม่ถูกต้อง
6. ทำความสะอาดเครื่องมือตัดและลับให้คมอยู่เสมอ เครื่องมือการตัดที่มีการดูแลอย่างถูกต้องและมีขอบการตัดคมมักจะมีปัญหาติดขัดน้อยและควบคุมได้ง่ายกว่า
7. ใช้เครื่องมือไฟฟ้า อุปกรณ์เสริม และวัสดุสิ้นเปลือง ฯลฯ ตามคำแนะนำดังกล่าวก่อน พิจารณาสภาพการทำงานและงานที่จะลงมือทำ การใช้เครื่องมือไฟฟ้าเพื่อทำงานอื่นนอกเหนือจากที่กำหนดไว้อาจทำให้เกิดอันตราย

การใช้งานและดูแลเครื่องมือที่ใช้แบตเตอรี่

1. ชาร์จไฟใหม่ด้วยเครื่องชาร์จที่ระบุโดยผู้ผลิตเท่านั้น เครื่องชาร์จที่เหมาะสมสำหรับชุดแบตเตอรี่ประเภทหนึ่ง อาจเสี่ยงที่จะเกิดไฟไหม้หากนำไปใช้กับชุดแบตเตอรี่อีกประเภทหนึ่ง
2. ใช้เครื่องมือไฟฟ้ากับชุดแบตเตอรี่ที่กำหนดมาโดยเฉพาะเท่านั้น การใช้ชุดแบตเตอรี่ประเภทอื่นอาจทำให้เสี่ยงที่จะได้รับบาดเจ็บและเกิดไฟไหม้
3. เมื่อไม่ใช้งานชุดแบตเตอรี่ ให้เก็บห่างจากวัตถุที่เป็นโลหะอื่นๆ เช่น คลิปหนีบกระดาษ เหรียญ กุญแจ กรรไกรตัดเล็บ สกรู หรือวัตถุที่เป็นโลหะขนาดเล็กอื่นๆ ที่สามารถเชื่อมต่อชั่วคราวหนึ่งกับอีกชั่วคราวหนึ่งได้ การลัดวงจรขั้วแบตเตอรี่อาจทำให้ร้อนจัดหรือเกิดไฟไหม้
4. ในกรณีที่ใช้งานไม่ถูกต้อง อาจมีของเหลวไหลออกจากแบตเตอรี่ ให้หลีกเลี่ยงการสัมผัส หากสัมผัสโดนของเหลวโดยไม่ตั้งใจ ให้ล้างออกด้วยน้ำ หากของเหลวกระเด็นเข้าตา ให้รีบไปพบแพทย์ ของเหลวที่ไหลออกจากแบตเตอรี่อาจทำให้ผิวหนังระคายเคืองหรือไหม้

การซ่อมบำรุง

1. นำเครื่องมือไฟฟ้าเข้ารับบริการจากช่างซ่อมที่ผ่านการรับรองโดยใช้อะไหล่แบบเดียวกันเท่านั้น เพราะจะทำให้การใช้เครื่องมือไฟฟ้ามีความปลอดภัย
2. ปฏิบัติตามคำแนะนำในการหล่อลื่นและการเปลี่ยนอุปกรณ์เสริม
3. ดูแลมือจับให้แห้ง สะอาด และไม่มีน้ำมันและจาระบีเปื้อน

คำเตือนด้านความปลอดภัยของเครื่องยิงตะปูไร้สาย

1. ให้ระลึกลูกยิงเสมอไว้ว่ามีตัวยึดอยู่ในเครื่องมือ การใช้งานเครื่องยิงตะปูอย่างไร้ประวัตรวังอาจทำให้เกิดการยิงตัวยึดโดยไม่คาดคิดและเกิดการบาดเจ็บได้
 2. อย่าหันเครื่องมือเข้าหาตัวเองหรือผู้ที่อยู่ใกล้เคียง การกดสวิตช์ซึ่งงานโดยไม่คาดคิดจะเป็นการยิงตัวยึดทำให้เกิดการบาดเจ็บได้
 3. อย่าใช้งานเครื่องมือหากเครื่องมือไม่ไดวางแนบอยู่กบชิ้นงาน หากเครื่องมือไม่สัมพันธ์กับชิ้นงาน ตัวยึดอาจแลลบบอกจากเป้าหมายที่ต้องการ
 4. ถอดเครื่องมือออกจากแหล่งจ่ายไฟเมื่อตัวยึดติดอยู่ในเครื่องมือ ขณะเอาตัวยึดที่ติดออก เครื่องยิงตะปูอาจทำงานขึ้นมาโดยบังเอิญหากเสียบปลั๊กอยู่
 5. ใช้ความระมัดระวังขณะเอาตัวยึดที่ติดขัดออก กลไกอาจมีแรงดันและตัวยึดอาจถูกยิงออกมาอย่างแรงขณะพยายามแก้มัขอสภาพที่ติดขัด
 6. อย่าใช้เครื่องยิงตะปูในการยึดสายไฟ เครื่องมือนี้ไม่ได้ออกแบบมาเพื่อการติดตั้งสายไฟและอาจทำให้ฉนวนของสายไฟเสียหาย ซึ่งจะก่อให้เกิดไฟฟ้าช็อตหรือเพลิงไหม้ได้
 7. สวมแว่นตานิรภัยเพื่อป้องกันดวงตาดจากฝุ่นหรือการบาดเจ็บจากตัวยึด
- คำเตือน:** ผู้ว่าจ้างมีหน้าที่รับผิดชอบในการบังคับให้ผู้ใช้งานเครื่องมือและบุคคลอื่นๆ ในบริเวณที่ปฏิบัติงานใช้อุปกรณ์ป้องกันดวงตา
8. ให้มือและเท้าอยู่ห่างออกจากรบริเวณช่องเป่าลมออก
 9. ปฏิบัติตามคำแนะนำในการหล่อลื่นและการเปลี่ยนอุปกรณ์เสริม
 10. ถอดตลับแบตเตอรี่ออกก่อนใส่ตัวยึด ทำการปรับตรวจสอบ บำรุงรักษา หรือหลังจากจบการทำงานเสมอ
 11. ตรวจสอบให้แน่ใจว่าไม่มีใครอยู่ในบริเวณใกล้เคียงก่อนทำงาน ห้ามพยายามขันตัวยึดจากทั้งด้านในและด้านนอกกำแพงพร้อมกัน ตัวยึดอาจฉีกและ/หรือกระเด็นออก ทำให้เกิดอันตรายร้ายแรง
 12. ตรวจสอบท่ายืนของคุณและรักษาสมาดุลกับเครื่องมือเสมอ ตรวจสอบว่าไม่มีใครอยู่ด้านล่างเมื่อทำงานในที่สูง

13. ห้ามใช้เครื่องมือชนิดที่มีสัญลักษณ์ “อย่าใช้บนนั่งร้านหรือบันได” เพื่อการทำงานเฉพาะอย่าง เช่น
 - เมื่อเปลี่ยนสถานที่ขึ้นเป็นที่อื่น ซึ่งเกี่ยวข้องกับ การใช้ที่นั่ง บันได หรือสิ่งก่อสร้างที่มีลักษณะเหมือนบันได เช่น ไม้ระแนงหลังคา
 - กล่องปิดหรือลิ้ง
 - ระบบความปลอดภัยในการขนส่ง เช่น บนรถ หรือที่บรรทุก
14. ตรวจสอบกำแพง เพดาน พื้น หลังคา และสิ่งที่ คล้ายคลึงอย่างละเอียดถี่ถ้วนเพื่อหลีกเลี่ยงการเกิดไฟฟ้าช็อต การรั่วไหลของก๊าซ การระเบิด และอื่นๆ ที่ อาจเกิดขึ้นจากการยิงถูกสายไฟ ท่อน้ำ หรือท่อก๊าซที่ ยังใช้งาน
15. ใช้เฉพาะตัวยึดตามที่ได้ระบุไว้ในคู่มือเล่มนั้นเท่านั้น การใช้งานตัวยึดอื่นๆ อาจทำให้เครื่องมือทำงานผิดปกติ
16. อย่าใช้เครื่องมือนี้ในการตอกหรือพยายามใช้ทำงาน อื่นนอกเหนือจากการยิงตัวยึด
17. อย่าใช้เครื่องมือโดยไม่มีตัวยึด เนื่องจากจะทำให้อายุ การใช้งานของเครื่องมือสั้นลง
18. หยุดยิงตัวยึดทันทีหากคุณสังเกตเห็นสิ่งผิดปกติหรือ ต่างไปจากปกติบนเครื่องมือ
19. ห้ามยิงตัวยึดใดๆ ที่อาจทำให้ตัวยึดเจาะทะลุและพุ่ง กระเด็นไปไกล
20. ห้ามใช้งานสวิตช์สั่งงานและส่วนสัมผัสพร้อมกัน จนกว่าจะพร้อมยึดชิ้นงาน กดส่วนสัมผัสเข้ากับชิ้น งาน ห้ามใช้งานผิดวัตถุประสงค์ด้วยการยึดส่วนสัมผัส ไว้หรือกดด้วยมือ
21. ห้ามใช้ส่วนสัมผัสในการตอก ตรวจสอบส่วนสัมผัส เป็นประจำเพื่อการทำงานอย่างเหมาะสม
22. ถอดตัวยึดออกจากเครื่องมือเสมอเมื่อไม่ได้ใช้งาน

ปฏิบัติตามคำแนะนำเหล่านี้

คำเตือน: อย่าให้ความไม่ระมัดระวังหรือความคุ้นเคยกับผลิตภัณฑ์ (จากการใช้งานซ้ำหลายครั้ง) อยู่เหนือ การปฏิบัติตามกฎเกณฑ์ด้านความปลอดภัยในการใช้งาน ผลิตภัณฑ์อย่างเคร่งครัด การใช้งานอย่างไม่เหมาะสม หรือการไม่ปฏิบัติตามกฎเกณฑ์ด้านความปลอดภัยใน คู่มือการใช้งานนี้อาจทำให้ได้รับบาดเจ็บร้ายแรง

คำแนะนำเพื่อความปลอดภัยที่สำคัญสำหรับ ตลับแบตเตอรี่

1. ก่อนใช้งานตลับแบตเตอรี่ ให้อ่านคำแนะนำและ เครื่องหมายเตือนทั้งหมดบน (1) เครื่องชาร์จ แบตเตอรี่ (2) แบตเตอรี่ และ (3) ตัวผลิตภัณฑ์ที่ใช้ แบตเตอรี่
2. ห้ามถอดแยกส่วนตลับแบตเตอรี่
3. หากระยะเวลาที่เครื่องทำงานสั้นเกินไป ให้หยุดใช้งาน ทันที เนื่องจากอาจมีความเสี่ยงที่จะร้อนจัด ใหม่หรือ ระเบิดได้
4. หากสารละลายอิเล็กโทรไลต์กระเด็นเข้าตา ให้ล้าง ออกด้วยน้ำเปล่าและรีบไปพบแพทย์ทันที เนื่องจาก อาจทำให้ตาบอด
5. ห้ามลัดวงจรตลับแบตเตอรี่:
 - (1) ห้ามแตะขั้วกับวัตถุที่เป็นสื่อนำไฟฟ้าใดๆ
 - (2) หลีกเลี่ยงการเก็บตลับแบตเตอรี่ไว้ในภาชนะร่วมกับวัตถุที่เป็นโลหะ เช่น กรรไกรตัดเล็บ เหรียญ ฯลฯ
 - (3) อย่าให้ตลับแบตเตอรี่ถูกน้ำหรือฝน แบตเตอรี่ลัดวงจรอาจทำให้เกิดการไหลของกระแส ไฟฟ้า ร้อนจัด ใหม่หรือเสียหายได้
6. ห้ามเก็บเครื่องมือและตลับแบตเตอรี่ไว้ในสถานที่ที่มี อุณหภูมิสูงถึงหรือเกิน 50 °C
7. ห้ามเผาตลับแบตเตอรี่ทิ้ง แม้ว่าแบตเตอรี่จะเสียหาย จนใช้การไม่ได้หรือเสื่อมสภาพแล้ว ตลับแบตเตอรี่ อาจระเบิดในกองไฟ
8. ระวังอย่าทำแบตเตอรี่ตกหล่นหรือกระทบกระแทก
9. ห้ามใช้แบตเตอรี่ที่เสียหาย
10. แบตเตอรี่ที่ยืมไอออนที่มีมาให้หันเป็นไปตามข้อกำหนดของ Dangerous Goods Legislation สำหรับการขนส่งเพื่อการพาณิชย์ เช่น โดยบุคคลที่ สาม ตัวแทนขนส่งสินค้า จะต้องตรวจสอบข้อกำหนด พิเศษในด้านการบรรจุหีบห่อหรือการติดป้ายสินค้า ในการเตรียมสินค้าที่จะขนส่ง ให้ปรึกษาผู้เชี่ยวชาญ ด้านวัตถุอันตราย โปรดตรวจสอบข้อกำหนดในประเทศที่อาจมีรายละเอียดอื่นๆ เพิ่มเติม ให้ติดเทปหรือปิดหน้าสัมผัสและห่อแบตเตอรี่ใน ลักษณะที่แบตเตอรี่จะไม่เคลื่อนที่ไปมาในหีบห่อ
11. เมื่อกำจัดตลับแบตเตอรี่ ให้ถอดตลับแบตเตอรี่ออกจากเครื่องมือและกำจัดในสถานที่ที่ปลอดภัย ปฏิบัติ ตามข้อบังคับในท้องถิ่นที่เกี่ยวข้องกับการกำจัดแบตเตอรี่

- ใช้แบตเตอรี่กับผลิตภัณฑ์ที่ระบุโดย Makita เท่านั้น การติดตั้งแบตเตอรี่ในผลิตภัณฑ์ที่ไม่ใช่ตามที่ระบุอาจทำให้เกิดไฟไหม้ ความร้อนสูง ระเบิด หรืออิเล็กทรอนิกส์ล้มเหลวได้
- หากไม่ใช้เครื่องมือเป็นระยะเวลานาน จะต้องถอดแบตเตอรี่ออกจากเครื่องมือ

ปฏิบัติตามคำแนะนำเหล่านี้

⚠ ข้อควรระวัง: ใช้แบตเตอรี่ของแท้จาก Makita เท่านั้น การใส่แบตเตอรี่ Makita ที่ไม่แท้ หรือแบตเตอรี่ที่ถูกเปลี่ยน อาจทำให้แบตเตอรี่ระเบิด ก่อให้เกิดเพลิงลุกไหม้ การบาดเจ็บ และความเสียหายได้ และจะทำให้การรับประกันของ Makita สำหรับเครื่องมือและแท่นชาร์จของ Makita เป็นโมฆะด้วย

เมื่อต้องการถอดตั้บแบตเตอรี่ ให้เลื่อนปุ่มที่ด้านหน้าของตั้บแล้วดึงออกจากเครื่องมือ

เมื่อต้องการติดตั้งตั้บแบตเตอรี่ ให้จัดแนวสันบนตั้บแบตเตอรี่ให้ตรงกับร่องบนตัวเครื่องมือ แล้วเลื่อนตั้บแบตเตอรี่เข้าที่ ติดตั้งตั้บแบตเตอรี่เข้าจนสุดจนกระทั่งได้ยินเสียงคลิกล็อกเข้าที่ หากยังเห็นส่วนสีแดงที่ด้านบนของปุ่ม แสดงว่าตั้บแบตเตอรี่ยังไม่ล็อกเข้าที่

⚠ ข้อควรระวัง: ให้อัดตั้บแบตเตอรี่เข้าจนสุดจนไม่เห็นส่วนสีแดงอีก ไม่เช่นนั้น ตั้บแบตเตอรี่อาจหลุดออกจากเครื่องมือทำให้คุณหรือคนรอบข้างได้รับบาดเจ็บ

⚠ ข้อควรระวัง: อย่าฝืนติดตั้งตั้บแบตเตอรี่โดยใช้แรงมากเกินไป หากตั้บแบตเตอรี่ไม่เลื่อนเข้าไปโดยง่าย แสดงว่าใส่ไม่ถูกต้อง

เคล็ดตั้บในการรักษาอายุการใช้งานของ

แบตเตอรี่ให้ยาวนานที่สุด

- ชาร์จตั้บแบตเตอรี่ก่อนที่ไฟจะหมด หยุดการใช้งานแล้วชาร์จประจุไฟฟ้าใหม่ทุกครั้งเมื่อคุณรู้สึกว่าการประจรมีกำลังลดลง
- อย่าชาร์จตั้บแบตเตอรี่ที่ไฟเต็มแล้ว การชาร์จประจุไฟฟ้ามากเกินไปอาจจะทำให้อายุการใช้งานของตั้บแบตเตอรี่สั้นลง
- ชาร์จประจุไฟฟ้าตั้บแบตเตอรี่ในห้องที่มีอุณหภูมิระหว่าง 10 °C - 40 °C ปลอ่ยให้ตั้บแบตเตอรี่เย็นลงก่อนที่จะชาร์จไฟ

ระบบป้องกันแบตเตอรี่

เครื่องมือจะมีระบบการป้องกันแบตเตอรี่ ระบบนี้จะทำการตัดพลังงานของมอเตอร์โดยอัตโนมัติเพื่อยืดอายุแบตเตอรี่ เครื่องมือจะหยุดทำงานโดยอัตโนมัติระหว่างการใช้งาน เมื่อเครื่องมือและ/หรือแบตเตอรี่อยู่ภายใต้สถานการณ์ต่อไปนี้:

ทำงานหนักเกินไป:

ใช้งานเครื่องมือในลักษณะที่อาจใช้กระแสไฟฟ้าสูงผิดปกติ ในกรณีนี้ ให้ปิดเครื่องมือและหยุดการใช้งานในลักษณะที่อาจทำให้เครื่องมือทำงานหนักเกินไป แล้วเปิดเครื่องมือเพื่อเริ่มทำงานอีกครั้ง

หากเครื่องมือไม่เริ่มทำงาน แสดงว่าแบตเตอรี่ร้อนเกินไป ในกรณีนี้ ให้ปลอ่ยแบตเตอรี่ให้เย็นลงก่อนที่จะเปิดเครื่องมืออีกครั้ง

แรงดันไฟฟ้าแบตเตอรี่ต่ำ:

ความจุแบตเตอรี่ที่เหลืออยู่น้อยเกินไปและเครื่องมือจะไม่ทำงาน หากคุณเปิดใช้เครื่องมือ มอเตอร์จะไม่ทำงาน หรือมอเตอร์เริ่มทำงานอีกครั้งแต่ก็สั้กักจะหยุดทำงาน ในสถานการณ์นี้ ให้ถอดแบตเตอรี่ออกแล้วชาร์จแบตเตอรี่ใหม่

คำอธิบายการทำงาน

⚠ ข้อควรระวัง: ตรวจสอบให้แน่ใจว่าได้ปิดสวิตซ์เครื่องมือและถอดตั้บแบตเตอรี่ออกก่อนปรับตั้งหรือตรวจสอบการทำงานของเครื่องมือ

การใส่หรือการถอดตั้บแบตเตอรี่

⚠ ข้อควรระวัง: ปิดสวิตซ์เครื่องมือก่อนทำการติดตั้งหรือการถอดตั้บแบตเตอรี่ทุกครั้ง

⚠ ข้อควรระวัง: ถือเครื่องมือและตั้บแบตเตอรี่ให้แน่น ในระหว่างการติดตั้งหรือการถอดตั้บแบตเตอรี่ หากไม่ถือเครื่องมือและตั้บแบตเตอรี่ให้แน่น อาจทำให้ตั้บแบตเตอรี่และเครื่องมือลื่นหลุดมือ และทำให้เครื่องมือและตั้บแบตเตอรี่เสียหายหรือได้รับบาดเจ็บได้

- หมายเลข 1: 1. ไฟแสดงสถานะสีแดง 2. ปุ่ม 3. ตั้บแบตเตอรี่

การระบุระดับพลังงานแบตเตอรี่ที่เหลืออยู่

สำหรับดัลบีแบตเตอรี่ที่มีตัวแสดงสถานะเท่านั้น

► หมายเลข 2: 1. ไฟแสดงสถานะ 2. ปุ่มตรวจสอบ

กดปุ่ม ตรวจสอบ บนดัลบีแบตเตอรี่เพื่อดูปริมาณแบตเตอรี่ที่เหลือ ไฟแสดงสถานะจะสว่างขึ้นเป็นเวลาสองสามวินาที

ไฟแสดงสถานะ		แบตเตอรี่ที่เหลือ
ไฟสว่าง	ดับ	
■ ■ ■ ■	□	75% ถึง 100%
■ ■ ■ □	□	50% ถึง 75%
■ ■ □ □	□	25% ถึง 50%
■ □ □ □	□	0% ถึง 25%

หมายเหตุ: ขึ้นอยู่กับสภาพการใช้งานและอุณหภูมิ โดยรอบ การแสดงสถานะอาจจะแตกต่างจากปริมาณแบตเตอรี่จริงเล็กน้อย

ปุ่มล๊อคสวิตซ์ใช้งาน

⚠ **ข้อควรระวัง:** ก่อนใส่ดัลบีแบตเตอรี่ลงในเครื่องมือ ให้ตรวจสอบว่าสวิตซ์ใช้งานสามารถทำงานได้อย่างถูกต้อง และกลับไปยังตำแหน่ง "ปิด" เมื่อปล่อย

⚠ **ข้อควรระวัง:** เมื่อไม่ใช้งานเครื่องมือ ให้กดปุ่มล๊อคสวิตซ์ใช้งานจากด้าน B เพื่อล๊อคสวิตซ์ใช้งานในตำแหน่ง OFF

► หมายเลข 3: 1. ปุ่มล๊อคสวิตซ์ใช้งาน 2. สวิตซ์ใช้งาน

► หมายเลข 4

เพื่อป้องกันไม่ให้สวิตซ์ใช้งานถูกดึงโดยไม่ตั้งใจจึงมีปุ่มล๊อคสวิตซ์ใช้งานติดตั้งไว้

หากต้องการตั้งสวิตซ์ใช้งาน ให้กดปุ่มล๊อคสวิตซ์ใช้งานจากด้าน A

หลังจากใช้งาน ให้กดปุ่มล๊อคสวิตซ์ใช้งานจากด้าน B เสมอ

การปรับความลึกในการยิงตะปูเข็ม

⚠ **คำเตือน:** ตรวจสอบให้แน่ใจทุกครั้งว่าคุณไม่ได้วางนิ้วมือบนสวิตซ์ใช้งานหรือส่วนสัมผัส และถอดดัลบีแบตเตอรี่ออกก่อนปรับความลึกในการยิงตะปู

ความลึกในการยิงตะปูเข็มสามารถปรับได้บนเครื่องยิงตะปูเข็ม เมื่อต้องการปรับความลึกในการยิงตะปู ให้หมุนตัวปรับ ความลึกในการยิงตะปูมีความลึกสูงสุดเมื่อหมุนตัวปรับจนสุดในทิศทาง A ตามที่แสดงไว้ในภาพ จะตั้งขึ้นตามการหมุนตัวปรับในทิศทาง B สามารถปรับความลึกได้สูงสุด 1.5 mm

► หมายเลข 5: 1. ตัวปรับ

► หมายเลข 6: 1. ลึกเกินไป 2. เป็นระนาบเดียวกัน 3. ตื้นเกินไป

การเปิดดวงไฟ

⚠ **ข้อควรระวัง:** อย่ามองเข้าไปในดวงไฟหรือจ้องดูแหล่งกำเนิดแสงโดยตรง

ตั้งสวิตซ์ใช้งานหรือใช้งานส่วนสัมผัสเพื่อให้ไฟติด ดวงไฟจะติดขณะตั้งสวิตซ์ใช้งานหรือใช้งานส่วนสัมผัส ดวงไฟจะดับลงภายในเวลาประมาณ 10 วินาทีหลังจากปล่อยสวิตซ์ใช้งานและส่วนสัมผัส

► หมายเลข 7: 1. ดวงไฟ

หมายเหตุ: ใช้ผ้าแห้งเพื่อเช็ดสิ่งสกปรกออกจากเลนส์ของดวงไฟ ระวังอย่าขีดข่วนเลนส์ของดวงไฟ ไม่เช่นนั้น อาจทำให้ส่องสว่างได้น้อยลง

หมายเหตุ: แม้ว่าดวงไฟเปิดสว่างเมื่อพลังงานแบตเตอรี่เหลือน้อย เครื่องยิงตะปูเข็มอาจไม่ยิงตะปูเข็ม ในกรณีนี้ให้ชาร์จไฟดัลบีแบตเตอรี่

การประกอบ

⚠ ข้อควรระวัง: ตรวจสอบให้แน่ใจทุกครั้งว่าคุณไม่ได้วางนิ้วมือบนสวิตช์สั่งงานหรือส่วนสัมผัส และถอดปลั๊กแบตเตอรี่ออกก่อนดำเนินการใดๆ กับเครื่องยิงตะปูเข็ม

การใส่ตะปูในเครื่องยิงตะปูเข็ม

⚠ ข้อควรระวัง: ตรวจสอบให้แน่ใจว่าได้ถอดปลั๊กแบตเตอรี่ออกก่อนใส่ตะปูในเครื่องยิงตะปูเข็ม การยิงตะปูโดยไม่ตั้งใจอาจทำให้เกิดการบาดเจ็บและเกิดความเสียหายต่อทรัพย์สิน

⚠ ข้อควรระวัง: อย่าเลื่อนแม่กกาซีนของเครื่องยิงตะปูเข็มซึ่งเต็มไปด้วยตะปูเข็มทันที การทำตะปูเข็มตกโดยไม่ตั้งใจโดยเจตนาเมื่อทำงานในที่สูง อาจทำให้เกิดการบาดเจ็บ

⚠ ข้อควรระวัง: ใส่ตะปูเข็มในทิศทางที่ถูกต้อง การใส่ในทิศทางที่ผิดอาจทำให้เกิดการสึกหรอก่อนเวลาอันควร ไชควงชำรุด และความเสียหายต่อชิ้นส่วนอื่นๆ

⚠ ข้อควรระวัง: อย่าใช้ตะปูเข็มเชื่อมต่อที่เสียรูป ใช้ตะปูเข็มตามที่ได้ระบุไว้ในคู่มือเล่มนี้ การใช้ตะปูเข็มอื่นนอกเหนือจากที่ระบุไว้อาจทำให้ตะปูเข็มติด และเกิดการแตกหักของเครื่องยิงตะปูเข็มได้

1. ถอดปลั๊กแบตเตอรี่
 2. กัดก้านล๊อคและเลื่อนแม่กกาซีนไปทางด้านหลัง
 3. จัดปลายตะปูเข็มในแนวเดียวกับร่องด้านล่างของแม่กกาซีน และดันชิ้นส่วนของตะปูเข็มทั้งหมดไปที่ตัวนำไชควง (โปรดระมัดระวังให้ใส่ตะปูเข็มในทิศทางขวา)
- ▶ **หมายเลข 8:** 1. ตะปูเข็ม 2. แม่กกาซีน 3. ก้านล๊อค 4. ตัวนำไชควง
4. หลังจากใส่ตะปูเข็ม ให้ดันแม่กกาซีนกลับเข้าที่จนกว่าจะมีเสียงดังคลิก

เมื่อต้องการถอดตะปูเข็ม ให้ปฏิบัติย้อนขั้นตอนการติดตั้ง

ตัวแปลงส่วนหัว

⚠ ข้อควรระวัง: ตรวจสอบให้แน่ใจทุกครั้งว่าคุณไม่ได้วางนิ้วมือบนสวิตช์สั่งงานหรือส่วนสัมผัส และถอดปลั๊กแบตเตอรี่ออกก่อนติดตั้งตัวแปลงส่วนหัว

เมื่อยิงตะปูเข็มบนวัสดุที่พื้นผิวที่เสียหายได้ง่าย ให้ใช้ตัวแปลงส่วนหัว เมื่อต้องการติดตั้งตัวแปลงส่วนหัว ให้วางตัวแปลงส่วนหัวไว้บนฝาครอบตัวนำไชควงโดยให้ส่วนที่ยื่นออกมาด้านในตัวแปลงส่วนหัวพอดีกับรอยเว้าในฝาครอบตัวนำไชควง

คุณสามารถเก็บตัวแปลงส่วนหัวบนตัวยึดที่ปลายด้านหลังของแม่กกาซีนเพื่อไม่ให้สูญหาย

▶ **หมายเลข 9:** 1. รอยเว้า 2. ส่วนที่ยื่นออกมา 3. ตัวแปลงส่วนหัว 4. ยึด

ขอเกี่ยว

⚠ ข้อควรระวัง: อย่าแขวนขอเกี่ยวกับเข็มขัดคาดเอว การทำเครื่องยิงตะปูเข็มตกซึ่งเกิดจากการที่ขอเกี่ยวหลุดออกจากที่โดยบังเอิญ อาจทำให้ตะปูถูกยิงออกไปและทำให้เกิดการบาดเจ็บ

▶ **หมายเลข 10**

ขอเกี่ยวให้ความสะดวกสำหรับการแขวนเครื่องมือไว้ชั่วคราว ซึ่งสามารถติดตั้งไว้ที่ด้านใดด้านหนึ่งของเครื่องมือเมื่อต้องการติดตั้งขอเกี่ยว ให้ใส่ขอเกี่ยวลงในร่องบนตัวเครื่องมือที่ด้านใดด้านหนึ่ง แล้วยึดติดไว้ด้วยสกรู เมื่อต้องการถอดออก ให้คลายสกรูแล้วดึงออกมา

▶ **หมายเลข 11:** 1. ร่อง 2. ขอเกี่ยว 3. สกรู

การเก็บประแจหกเหลี่ยม

เมื่อไม่ใช้งาน ให้เก็บประแจหกเหลี่ยมตามที่แสดงในภาพเพื่อไม่ให้สูญหาย

▶ **หมายเลข 12:** 1. ประแจหกเหลี่ยม

การใช้งาน

การทดสอบระบบป้องกันภัย

⚠ คำเตือน: ตรวจสอบว่าระบบป้องกันภัยทั้งหมดอยู่ในสภาพที่ใช้งานได้ก่อนนำไปใช้งาน มิฉะนั้น อาจก่อให้เกิดการบาดเจ็บได้

▶ **หมายเลข 13:** 1. ปุ่มล๊อคสวิตช์สั่งงาน 2. สวิตช์สั่งงาน 3. ส่วนสัมผัส 4. แม่กกาซีน

ทดสอบความผิดพลาดที่อาจเกิดขึ้นของระบบป้องกันภัยก่อนการใช้งานดังนี้

1. เอาตะปูเข็มออกจากเครื่องมือและให้แม่กกาซีนเปิดค้างไว้
2. ติดตั้งปลั๊กแบตเตอรี่ และปลดล๊อคสวิตช์สั่งงาน
3. กดสวิตช์สั่งงานโดยไม่ให้ส่วนสัมผัสแตะกับวัสดุ
4. ให้ส่วนสัมผัสแตะกับวัสดุโดยไม่ต้องกดสวิตช์สั่งงาน

หากเครื่องมือทำงานในกรณีที่ 3 และ 4 ข้างต้น ถือว่าระบบป้องกันภัยผิดปกติ หยุดใช้เครื่องมือทันทีและติดต่อศูนย์บริการในท้องถิ่นของคุณ

การยิงตะปูเข็ม

คำเตือน: ให้ส่วนสัมผัสวางบนวัสดุอย่างแนบสนิทจนกว่าจะยิงตะปูเข็มเสร็จสิ้น การยิงตะปูเข็มโดยไม่ได้ตั้งใจอาจทำให้เกิดการบาดเจ็บได้

1. ปลดลอคสวิทช์สั่งงาน
2. ให้ส่วนสัมผัสแตะบนวัสดุ
3. กดสวิทช์สั่งงานจนสุดเพื่อยิงตะปูเข็ม
4. เมื่อต้องการยิงตะปูเข็มต่อไป ให้ปล่อยนิ้วออกจากสวิทช์สั่งงานหนึ่งครั้ง แล้วทำซ้ำในขั้นตอนที่ 2 และ 3 ตามด้านบน

▶ **หมายเลข 14:** 1. สวิทช์สั่งงาน 2. ส่วนสัมผัส

คุณสามารถยิงตะปูเข็มเมื่อลากเครื่องมือไปยังบริเวณถัดไปโดยกดขึ้นส่วนสัมผัสแนบกับวัสดุและกดสวิทช์สั่งงาน

▶ **หมายเลข 15**

หากส่วนหัวของตะปูเขี่ยยื่นออกมาจากพื้นผิวของชิ้นงานให้อิงตะปูเข็มขณะจับเครื่องยิงตะปูเข็มที่วางแนบกับชิ้นงาน

▶ **หมายเลข 16**

หมายเหตุ: หากส่วนหัวของตะปูเขี่ยยังคงยื่นออกมาจากชิ้นงาน แม้ในขณะที่จับหัวตะปูเข็มแล้ว เครื่องยิงตะปูเข็มอาจทำจากวัสดุที่ไม่เหมาะสม การใช้เครื่องยิงตะปูเข็มบนวัสดุดังกล่าวอาจทำให้เกิดความเสียหายต่อหัวจับของเครื่องยิงตะปูเข็ม และ/หรือเครื่องยิงตะปูเข็มติดขัด

กลไกป้องกันการยิงเปล่า

คำเตือน: ตรวจสอบให้แน่ใจทุกครั้งว่าคุณไม่ได้วางนิ้วมือบนสวิทช์สั่งงานหรือส่วนสัมผัส และถอดลอคแบตเตอรี่ออกก่อนใส่เครื่องยิงตะปูเข็ม

เมื่อจำนวนตะปูเข็มที่เหลือในแม็กกาซีนอยู่ที่ 0 - 3 ชิ้น จะไม่สามารถกดสวิทช์สั่งงานได้อีก ในตอนนี้ ให้ใส่แถบตะปูเข็มใหม่ลงไปในแม็กกาซีนจึงจะสามารถกดสวิทช์สั่งงานได้อีกครั้ง

หมายเหตุ: เมื่อยิงตะปูเข็มที่มีความยาวแตกต่างกันหลังจากใช้งานอุปกรณ์ป้องกันการยิงเปล่าเสร็จใหม่ ๆ ให้ใส่แถบตะปูเข็มใหม่ลงไปในแม็กกาซีน และยิงตะปูเข็มชุดเก่าที่ค้างอยู่ในแม็กกาซีนลงบนเศษวัสดุที่ไม่ใช่แล้ว

การตรวจสอบจำนวนตะปูเข็มที่เหลืออยู่

คุณสามารถตรวจสอบจำนวนตะปูเข็มที่เหลืออยู่ผ่านทางช่องมอง

ไฟเตือนสีแดงเลื่อนไปยังช่องเปิดที่ใช้ยึดชิ้นงาน เมื่อจำนวนตะปูเข็มที่เหลืออยู่ต่อยก ลดลง

▶ **หมายเลข 17:** 1. ช่องมอง 2. ไฟเตือน

การถอดตะปูเข็มที่ติดออก

คำเตือน: ตรวจสอบให้แน่ใจว่าได้ถอดลอคแบตเตอรี่ออกก่อนเอาตะปูเข็มที่ติดออก

นำตะปูเข็มที่ยังอยู่ด้านในแม็กกาซีนออกมา

ถอดสกรูสามตัวด้วยประแจหกเหลี่ยมที่ยึดฝาครอบตัวนำไขควง

นำตะปูที่ติดออกจากร่องนำตะปู

หากถอดตะปูที่ติดออกได้ยาก ให้ถอดสกรูที่ยึดฝาครอบหน้าสัมผัสเพิ่มอีกสองตัวด้วยประแจหกเหลี่ยม แล้วดึงออกมา

▶ **หมายเลข 18:** 1. ฝาครอบตัวนำไขควง 2. สกรู 3. ฝาครอบหน้าสัมผัส

การบำรุงรักษา

ข้อควรระวัง: ตรวจสอบให้แน่ใจว่าได้ปิดสวิทช์เครื่องมือและถอดลอคแบตเตอรี่ออกก่อนทำการตรวจสอบหรือบำรุงรักษา

ข้อสังเกต: อย่าใช้น้ำมันเชื้อเพลิง เบนซิน ทินเนอร์ แอลกอฮอล์ หรือวัสดุประเภทเดียวกัน เนื่องจากอาจทำให้ลื่นหรือเสียหายได้

เพื่อความปลอดภัยและนำเชื้ออื้อของผลิตภัณฑ์ ควรให้ศูนย์บริการหรือโรงงานที่ผ่านการรับรองจาก Makita เป็นผู้ดำเนินการซ่อมแซม บำรุงรักษาและทำการปรับตั้งอื่น ๆ นอกจากนี้ให้ใช้อะไหล่ของแท้จาก Makita เสมอ

อุปกรณ์เสริม

⚠ ข้อควรระวัง: ขอแนะนำให้ใช้เฉพาะอุปกรณ์เสริมหรืออุปกรณ์ต่อพ่วงเหล่านี้กับเครื่องมือ Makita ที่ระบุในคู่มือการใช้อุปกรณ์เสริมหรืออุปกรณ์ต่อพ่วงอื่นๆ อาจมีความเสี่ยงที่จะได้รับบาดเจ็บ ใช้อุปกรณ์เสริมหรืออุปกรณ์ต่อพ่วงตามวัตถุประสงค์ที่ระบุไว้เท่านั้น

หากต้องการทราบรายละเอียดเพิ่มเติมเกี่ยวกับอุปกรณ์เสริมเหล่านี้ โปรดสอบถามศูนย์บริการ Makita ใกล้บ้านคุณ

- ตะปูเข็ม
- แบตเตอรี่และเครื่องชาร์จ Makita ของแท้
- แวนดามิรภัย

หมายเหตุ: อุปกรณ์บางรายการอาจจะรวมอยู่ในชุดเครื่องมือเป็นอุปกรณ์มาตรฐาน ซึ่งอาจแตกต่างกันไปในแต่ละประเทศ

Makita Corporation
3-11-8, Sumiyoshi-cho,
Anjo, Aichi 446-8502 Japan
www.makita.com

885563B372
EN, ZHCN, ID,
VI, TH
20191022