



VN	VIETNAM
----	---------

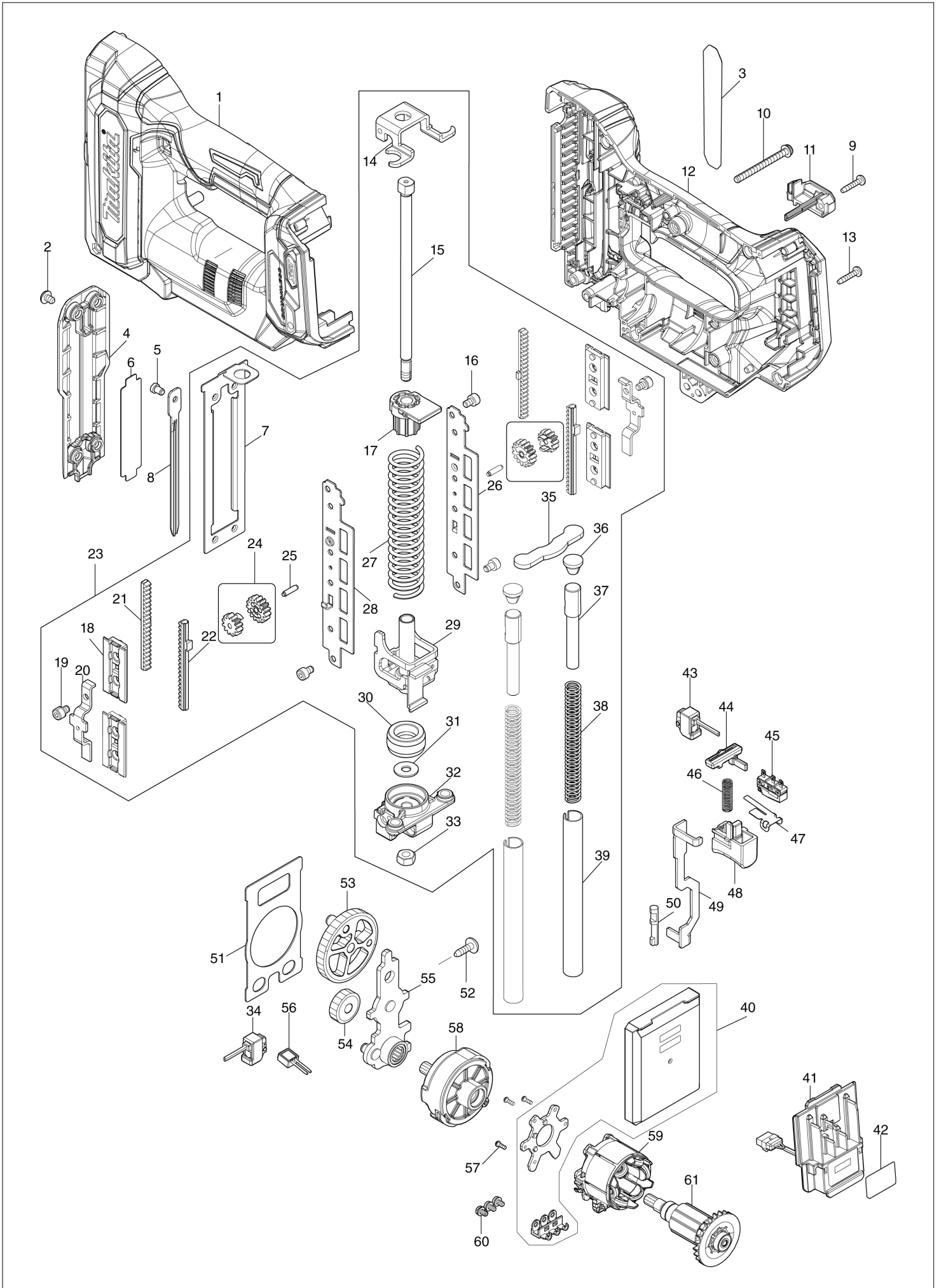
# Diagram / Parts List

**PT001G**

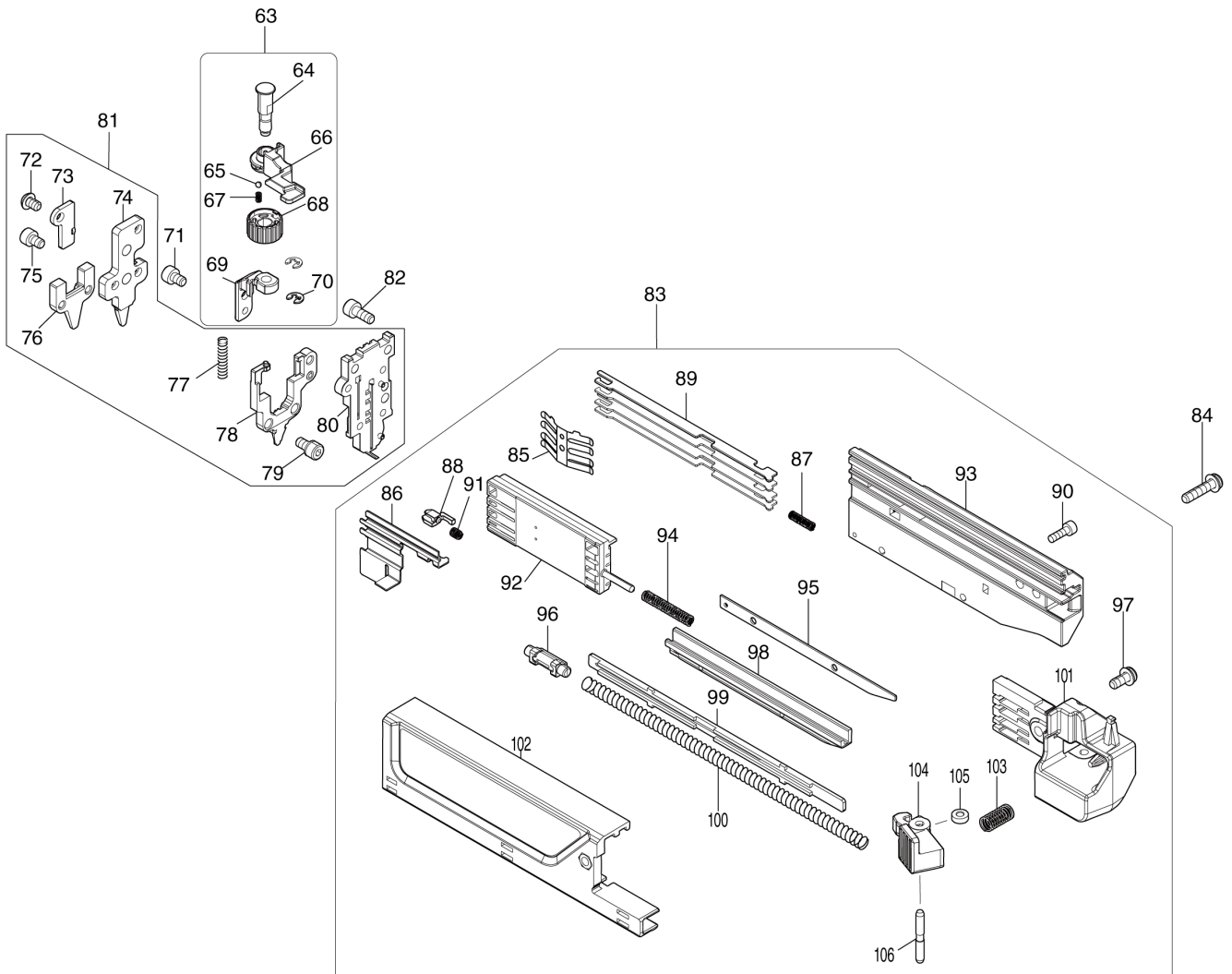
**CORDLESS PIN NAILER**



# (VN) PT001G / CORDLESS PIN NAILER



(VN) PT001G / CORDLESS PIN NAILER



<b>VN</b>	<b>VIETNAM</b>
-----------	----------------

### PT001G / CORDLESS PIN NAILER

Item	Sub	Parts No.	Parts Description	Qty	I/C	E/C No.	Close No.	Remark
001		183V33-3	HOUSING SET	1				
	C10	263005-3	RUBBER PIN 6	2				
	C20	252126-6	HEX. LOCK NUT M4-7	2				
	C30	931102-0	HEX. NUT M4	1				
	C40	8007R2-2	XGT LOGO LABEL	1				
	D10		INC. 12					
002		915101-0	BINDING HEAD SCREW M4X6	4				
003		8116E5-4	PT001G NAME PLATE	1				
004		413D63-5	FRONT COVER	1				
005		256882-0	FLAT FILLISTER HD. PIN 4	1				
006		347528-0	UPPER PLATE	1				
007		347933-1	RAIL	1				
008		347935-7	DRIVER	1				
009		266130-9	TAPPING SCREW BIND PT 3X16	1				
010		911173-3	PAN HEAD SCREW M4X45	1				
011		413D62-7	HOUSING R COVER	1				
012		183V33-3	HOUSING SET	1				
	C10	263005-3	RUBBER PIN 6	2				
	C20	252126-6	HEX. LOCK NUT M4-7	2				
	C30	931102-0	HEX. NUT M4	1				
	C40	8007R2-2	XGT LOGO LABEL	1				
	D10		INC. 1					
013		266130-9	TAPPING SCREW BIND PT 3X16	9				
014		347936-5	BOTTOM PLATE	1				
015		327939-5	GUIDE BOLT	1				
016		266199-3	HEX.SOCKET HEAD BOLT M4X6	4				
017		313406-6	BOTTOM HOLDER	1				
018		413330-4	COUNTER WEIGHT HOLDER	4				
019		251566-5	H.S.H BOLT M4X6 WITH W	2				
020		347146-4	PINION GUIDE	2				
021		313421-0	COUNTER WEIGHT A	2				
022		310925-3	COUNTER WEIGHT B	2				
023		136695-4	COUNTER WEIGHT ASS'Y	1				
	D10		INC. 7, 14-22,24-33,35-39					
024		136104-3	SPUR GEAR ASSEMBLY	2				
025		326902-5	PINION SHAFT	2				
026		347938-1	GUIDE RAIL L	1				
027		232741-2	COMPRESSION SPRING 17	1				
028		347939-9	GUIDE RAIL R	1				
029		347937-3	HAMMER	1				
030		422457-9	CUSHION	1				
031		253804-1	FLAT WASHER 6	1				
032		312C49-9	HOLDER	1				
033		252273-3	HEX. NUT M6	1				
034		140W22-7	SWITCH COMPLETE	1				
035		347729-0	COUNTER STOPPER	1				
036		422592-3	COUNTER CUSHION	2				
037		327942-6	WEIGHT	2				
038		232630-1	COMPRESSION SPRING 7	2				
039		327943-4	GUIDE PIPE	2				
040		620H96-9	CONTROLLER	1				
041		632R99-1	TERMINAL UNIT	1				
042		8116F2-7	PT001G SERIAL NO. LABEL	1				
043		140W22-7	SWITCH COMPLETE	1				
044		456799-9	TRIGGER LOCK	1				
045		632S31-1	SWITCH UNIT	1				
046		232370-1	COMPRESSION SPRING 5	1				
047		232672-5	LEAF SPRING	1				
048		413328-1	TRIGGER	1				
049		347932-3	LOCK ARM	1				
050		327941-8	LOCK PIN	1				
051		347934-9	GEAR PLATE	1				
052		266901-4	TAPPING SCREW 4X14	1				
053		141G69-8	SPUR GEAR 61 COMPLETE	1				
054		226892-1	SPUR GEAR 25	1				

Interchange  
O : Yes  
X : No  
< : the new part can be substituted for the current.  
> : the current part can be substituted for the new.  
S : Interchangeable as a set.

<b>VN</b>	<b>VIETNAM</b>
-----------	----------------

### PT001G / CORDLESS PIN NAILER

Item	Sub	Parts No.	Parts Description	Qty	I/C	E/C No.	Close No.	Remark
055		141G70-3	BASE PLATE COMPLETE	1				
056		620507-6	LED CIRCUIT	1				
057		266490-9	TAPPING SCREW PT 2X6	3				
058		122B56-6	GEAR ASSEMBLY	1				
059		629A99-8	STATOR	1				
060		652069-6	FLAT HEAD SCREW M3X6	3				
061		619727-7	ROTOR	1				
063		136663-7	ADJUSTER ASSEMBLY	1				
	D10		INC. 64-70					
064		327940-0	ADJUSTER SHAFT	1				
065		216031-1	STEEL BALL 2.3	1				
066		413D64-3	CONTACT ARM	1				
067		234254-9	COMPRESSION SPRING 2	1				
068		413D61-9	ADJUSTER	1				
069		313405-8	ARM	1				
070		961017-7	STOP RING E-3	2				
071		922102-1	HEX. SOCKET HEAD BOLT M4X6	1				
072		265C44-7	H.L.BUTTON HEAD BOLT M4X6	1				
073		347929-2	SPRING COVER	1				
074		141G71-1	DRIVER GUIDE COVER COMPLETE	1				
075		922102-1	HEX. SOCKET HEAD BOLT M4X6	3				
076		313404-0	CONTACT TOP COVER	1				
077		232740-4	COMPRESSION SPRING 3	1				
078		141D51-9	CENTER PLATE COMPLETE	1				
079		922106-3	HEX. SOCKET HEAD BOLT M4X8	2				
080		141D52-7	DRIVER GUIDE COMPLETE	1				
081		122B55-8	DRIVER GUIDE ASSEMBLY	1				
	D10		INC. 72-80					
082		922112-8	HEX. SOCKET HEAD BOLT M4X10	3				
083		136657-2	MAGAZINE ASSEMBLY	1				
	D10		INC. 85-106					
084		911133-5	PAN HEAD SCREW M4X18	2				
085		232362-0	LEAF SPRING	1				
086		347138-3	PUSHER	1				
087		232367-0	COMPRESSION SPRING 3	4				
088		310176-8	STOPPER	1				
089		346239-4	NAIL STOPPER	4				
090		266177-3	HEX. SOCKET HEAD BOLT M3X10	2				
091		233018-8	COMPRESSION SPRING 3	1				
092		457382-5	NAIL GUIDE HOLDER	1				
093		458195-7	MAGAZINE	1				
094		233459-8	COMPRESSION SPRING 3	1				
095		347137-5	SPACER	1				
096		457383-3	SHOULDER PIN 5-6	1				
097		911113-1	PAN HEAD SCREW M4X10 WITH WR	1				
098		144335-0	LOWER RAIL COMPLETE	1				
099		457387-5	SPRING COVER	1				
100		232366-2	COMPRESSION SPRING 5	1				
101		457381-7	SLIDE DOOR CAP	1				
102		457380-9	UPPER RAIL	1				
103		233117-6	COMPRESSION SPRING 6	1				
104		413329-9	LEVER	1				
105		262054-7	URETHANE RING 3	1				
106		256793-9	PIN 3	1				
A01		195246-2	SAFETY GOGGLE	1				
A02		251314-2	+ SCREW M4X12	1				
A03		346317-0	HOOK	1				
A04		422844-2	NOSE ADAPTER	2				
A05		783201-2	HEX. WRENCH 3	1				
A06		821834-6	PLASTIC CASE	1				
	C10	162302-3	LATCH	2				
A07		835V71-8	INNER TRAY	1				
A08		8049A8-5	PT001GZ01 PLASTIC CASE LABEL	2				

Interchange  
O : Yes  
X : No  
< : the new part can be substituted for the current.  
> : the current part can be substituted for the new.  
S : Interchangeable as a set.