



VN	VIETNAM
----	---------

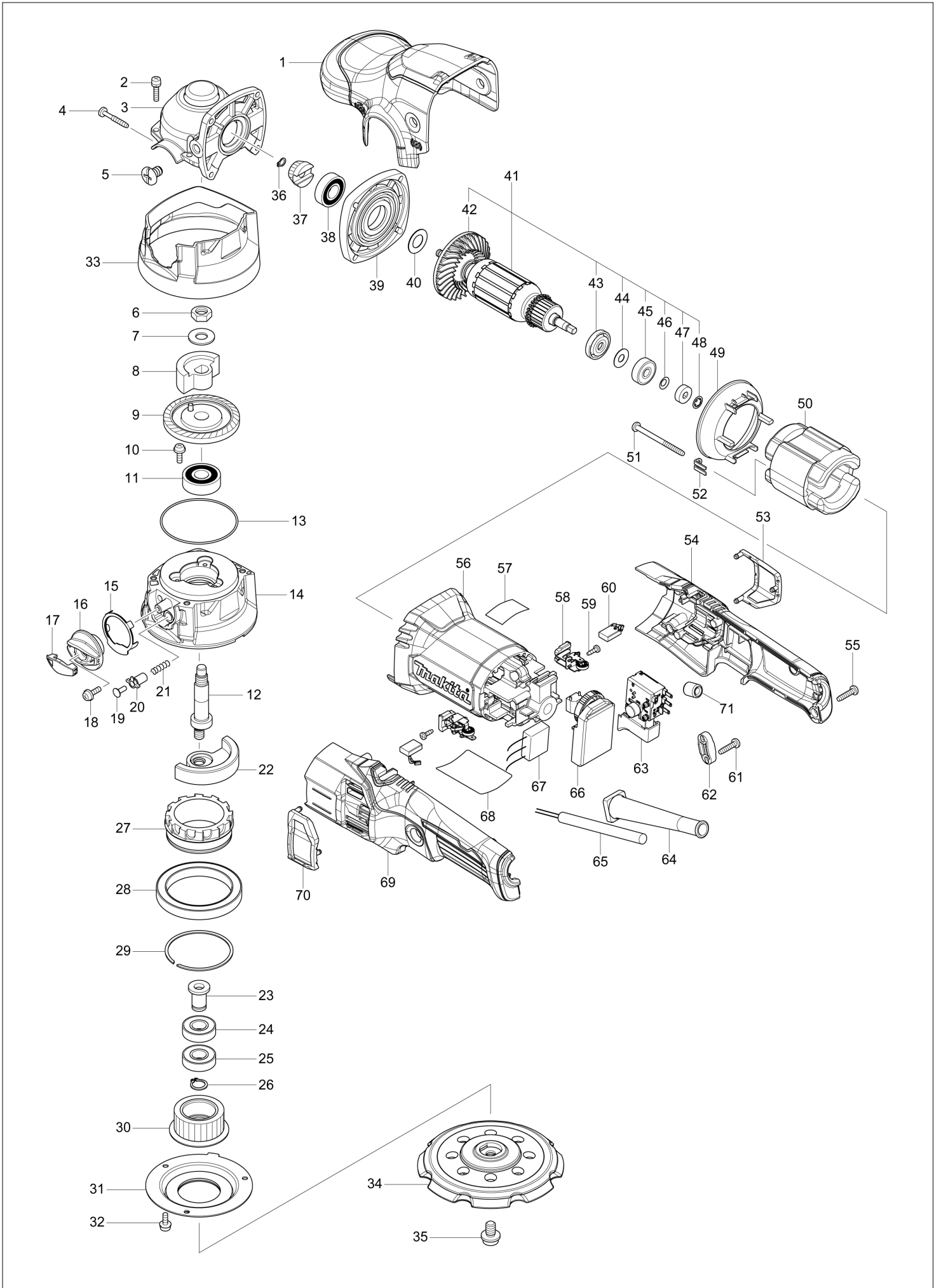
Diagram / Parts List

PO5000C

125MM RANDOM ORBIT POLISHER



(VN) PO5000C / 125MM RANDOM ORBIT POLISHER



VN	VIETNAM
-----------	----------------

PO5000C / 125MM RANDOM ORBIT POLISHER

Item	Sub	Parts No.	Parts Description	Qty	I/C	E/C No.	Close No.	Remark
001		456805-0	HEAD COVER	1				
002		911126-2	PAN HEAD SCREW M4X16	4				
003		143783-0	GEAR HOUSING COMPLETE	1				
004		266257-5	TAPPING SCREW 4X28	4				
005		265083-9	+ FLAT HEAD SCREW M8X11	2				
006		931503-2	HEX. NUT M10	1				
007		253024-7	FLAT WASHER 10	1				
008		326735-8	UPPER BALANCE WEIGHT	1				
009		143782-2	SPIRAL BEVEL GEAR 37 COMPLETE	1				
010		911119-9	PAN HEAD SCREW M4X12	3				
011		211145-1	BALL BEARING 6201ZZ	1				
012		324069-3	SPINDLE	1				
013		213724-1	O RING 62	1				
014		143784-8	SKIRT COMPLETE	1				
015		153427-4	DUST SEAL WASHER COMPLETE	1				
016		143785-6	KNOB COMPLETE	1				
017		456809-2	CAP	1				
018		911119-9	PAN HEAD SCREW M4X12	1				
019		417382-7	SPRING HOLDER	1				
020		345209-0	HOLDER	1				
021		231230-4	COMPRESSION SPRING 4	1				
022		326736-6	LOWER BALANCE WEIGHT	1				
023		324070-8	SLEEVE	1				
024		211131-2	BALL BEARING 6001DDW	1				
025		211131-2	BALL BEARING 6001DDW	1				
026		961052-5	RETAINING RING S-12	1				
027		221453-2	INTERNAL SPUR GEAR 29	1				
028		210146-6	BALL BEARING 6811LLB	1				
029		257933-2	STOP RING (EXT) WR-55	1				
030		143790-3	SPUR GEAR 26 COMPLETE	1				
031		143938-7	BEARING RETAINER 80 COMPLETE	1				
032		911119-9	PAN HEAD SCREW M4X12	3				
033		456806-8	BUMPER	1				
034		197922-4	PAD 125 SET(EU)	1			Y07643	
	D10		INC. 35				Y07643	
034-1		197923-2	PAD 125 SET	1	O	Y07643		
	D10		INC. 35			Y07643		
035		266270-3	HEX.SOCKET HEAD BOLT M8X14	1				
036		961002-0	RETAINING RING S-6	1				
037		221450-8	SPIRAL BEVEL GEAR 10	1				
038		211142-7	BALL BEARING 6001LLB	1				
039		253084-9	FLAT WASHER 12	1			Y07342	
039-1		317359-1	GEAR HOUSING COVER	1	X	Y07342		
040		317359-1	GEAR HOUSING COVER	1			Y07342	
040-1		253084-9	FLAT WASHER 12	1	X	Y07342		
041		513483-0	ARMATURE ASS'Y 220V	1				
	D10		INC. 42-48					
042		240134-9	FAN 60	1				
043		681656-4	INSULATION WASHER	1				
044		253823-7	FLAT WASHER 7	1				
045		210045-2	BALL BEARING 627DDW	1				
046		267756-0	WAVE WASHER 6	1				
047		688117-5	MAGNET SLEEVE	1				
048		259039-2	SELF LOCK 6	1				
049		453367-9	BUFFLE PLATE	1				
050		628196-1	FIELD 220V	1				
051		266147-2	TAPPING SCREW 4X55	2				
052		344871-8	RETAINER	2				
053		456807-6	DUST COVER	1				
054		183D86-4	HANDLE SET	1				
	D10		INC. 69					
055		265995-6	TAPPING SCREW 4X18	4				
056		456802-6	MOTOR HOUSING	1			D8195	
056-1		141E71-9	MOTOR HOUSING COMPLETE	1		D8195		
	D10		INC. 57			D8195		

Interchange
O : Yes
X : No
< : the new part can be substituted for the current.
> : the current part can be substituted for the new.
S : Interchangeable as a set.

