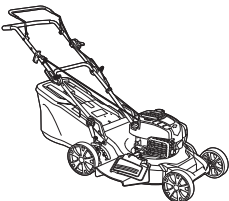
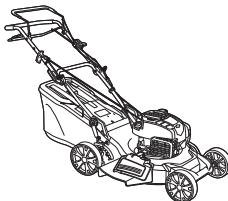




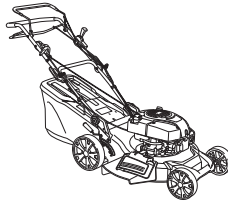
GB	Petrol Lawn Mower	Original instruction manual
CS	汽油草坪机	原厂指导手册
ID	Mesin Pemotong Rumput Berbahan Bakar Bensin	Petunjuk penggunaan asli
VI	Máy Cắt Cỏ Đẩy Hoạt Động Bằng Động Cơ Xăng	Tài liệu hướng dẫn gốc
TH	รถเข็นตัดหญ้าแบบใช้น้ำมัน	คู่มือใช้งานต้นฉบับ



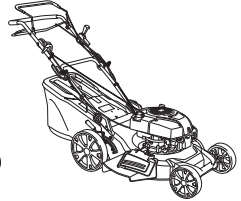
PLM4630N2



PLM4631N2

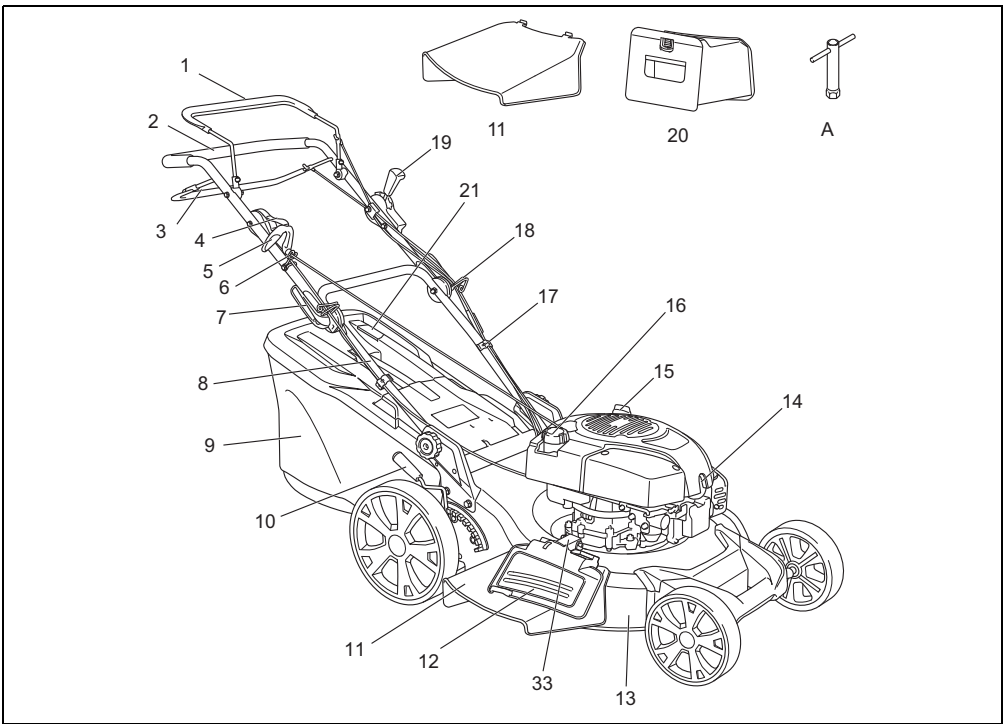


PLM4632N

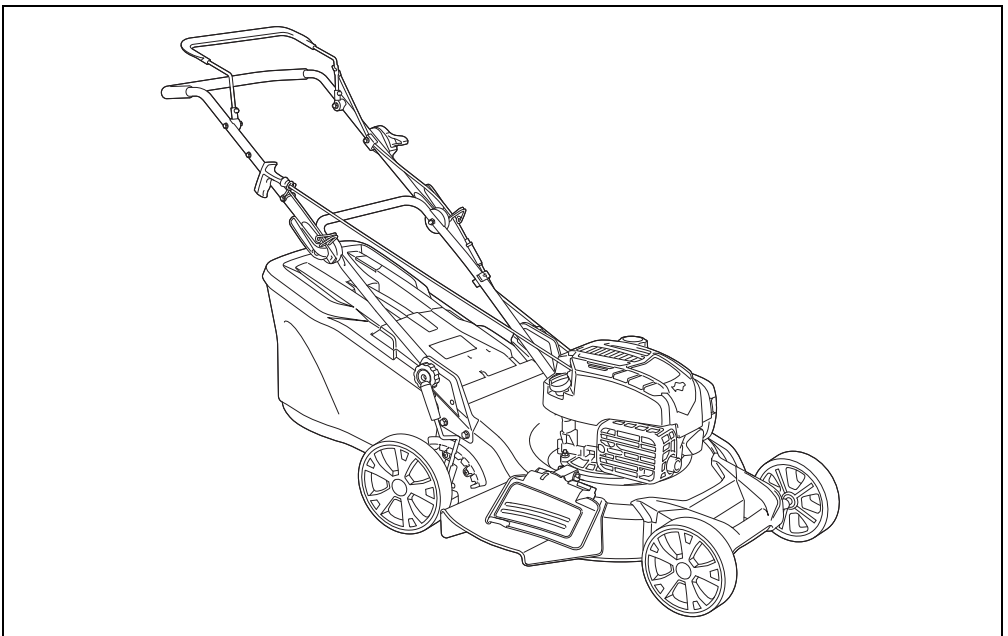


PLM5130N

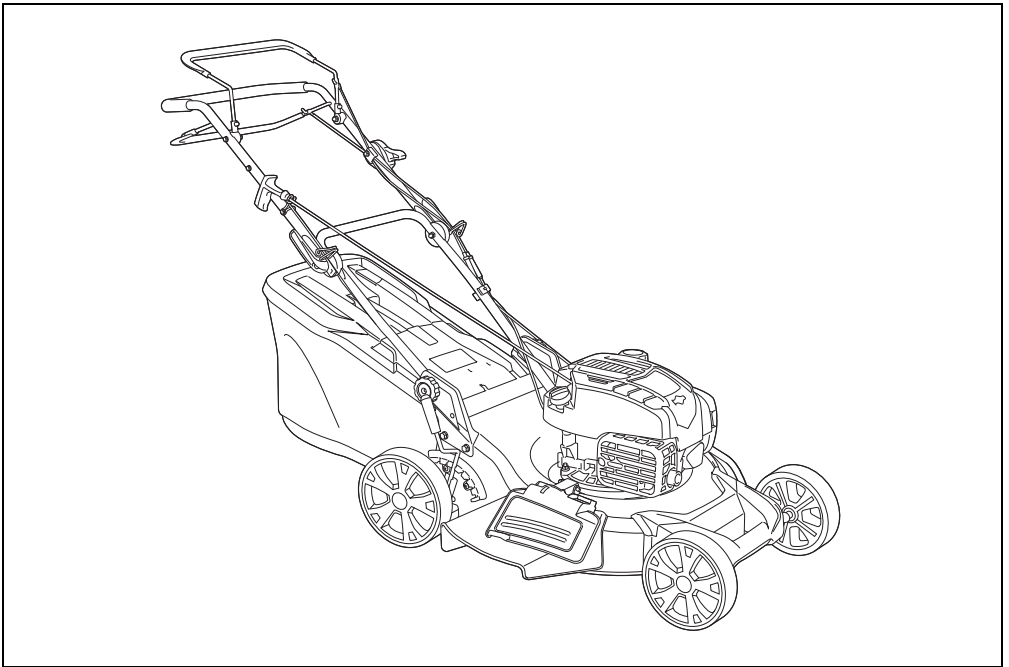




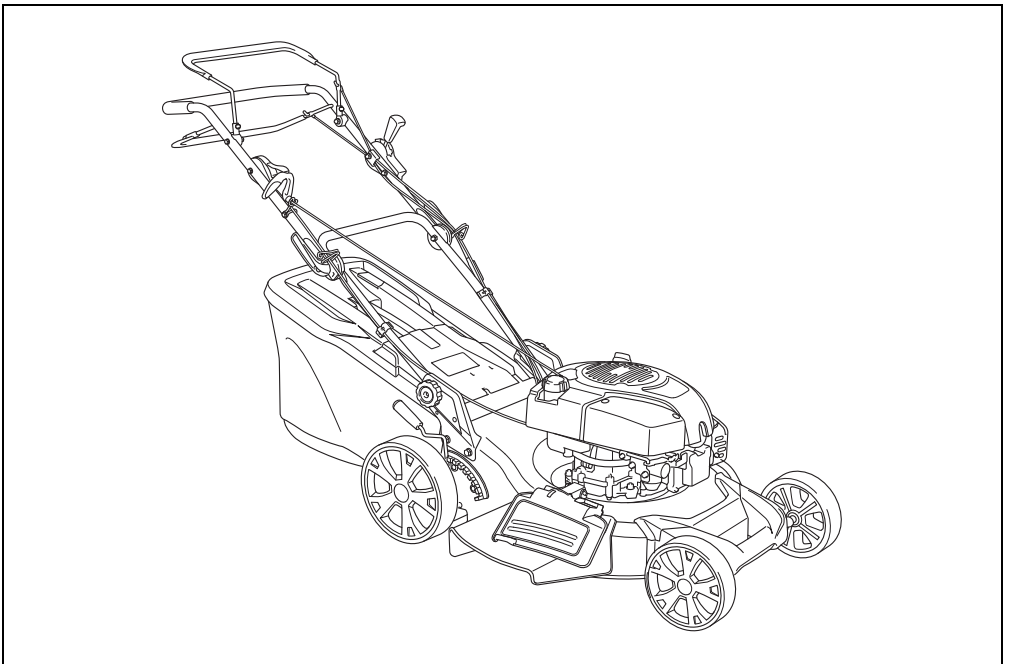
1 PLM5130N



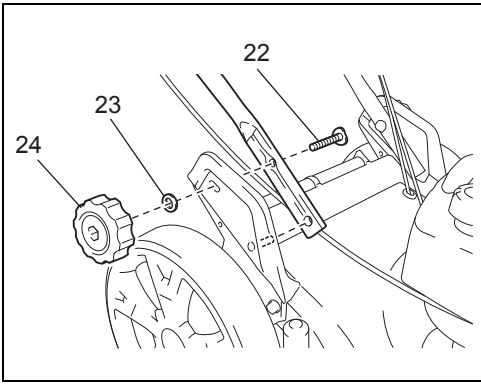
2 PLM4630N2



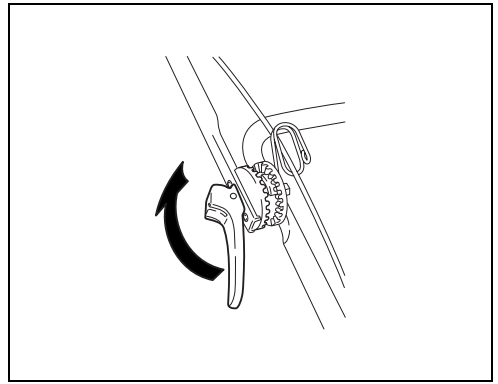
3 PLM4631N2



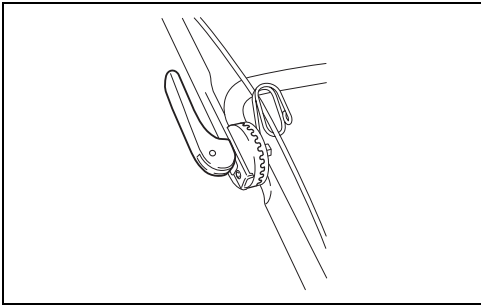
4 PLM4632N



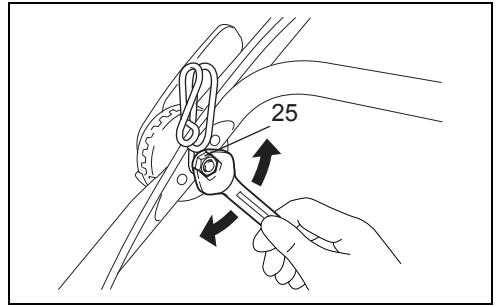
5



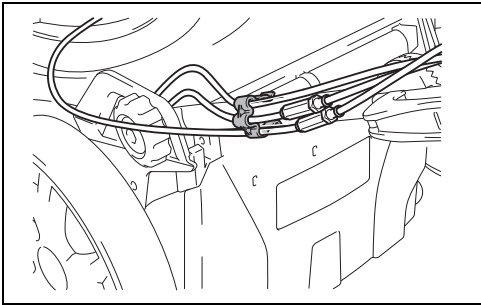
6



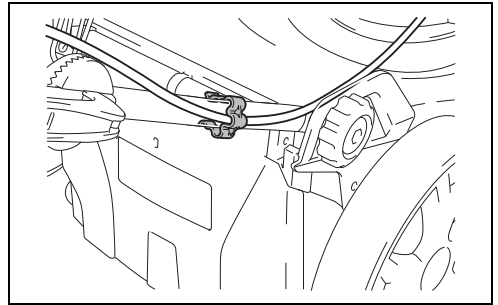
7



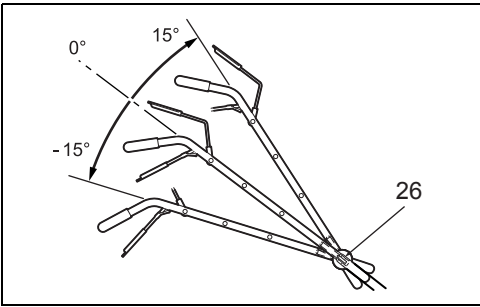
8



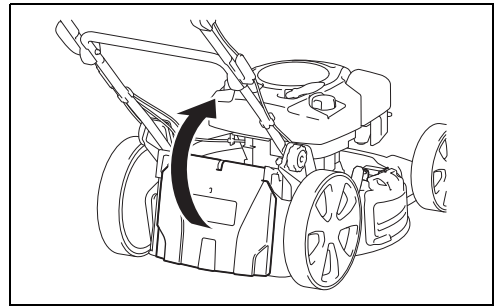
9



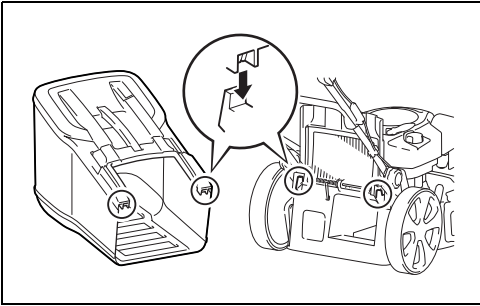
10



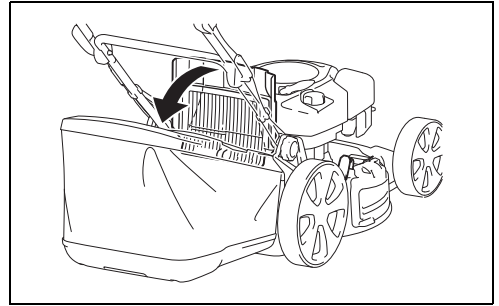
11



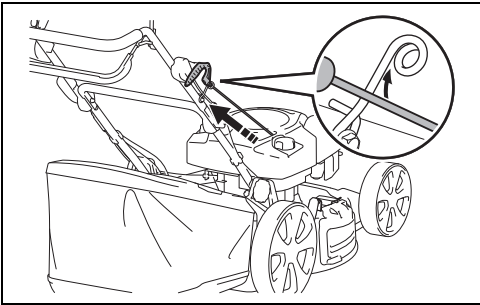
12



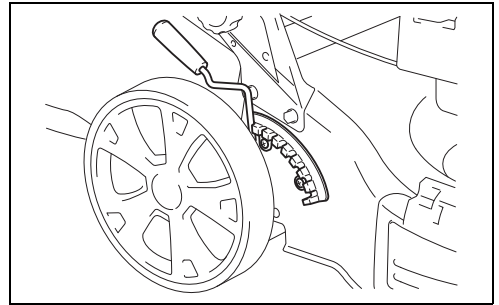
13



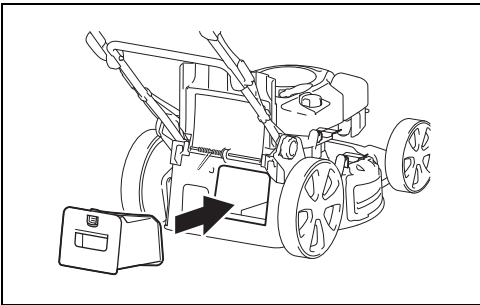
14



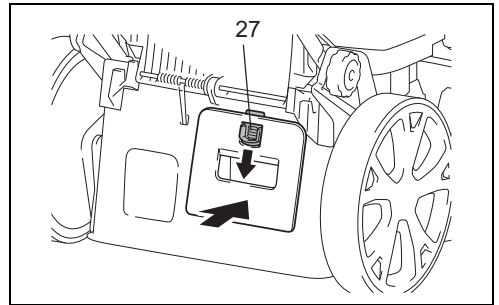
15



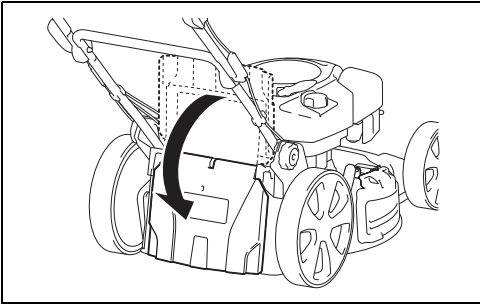
16



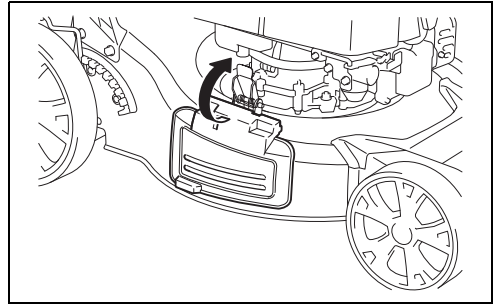
17



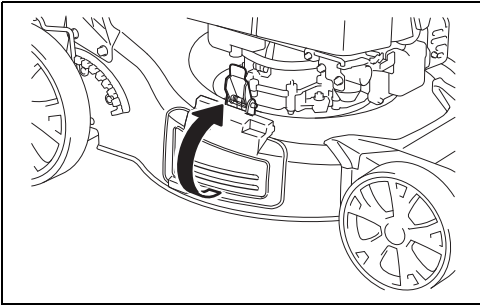
18



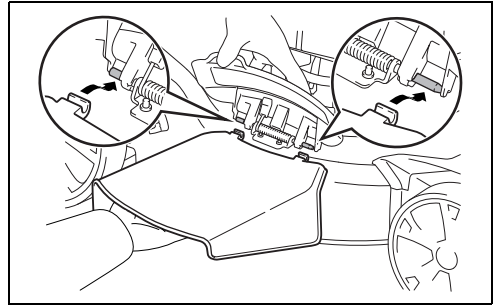
19



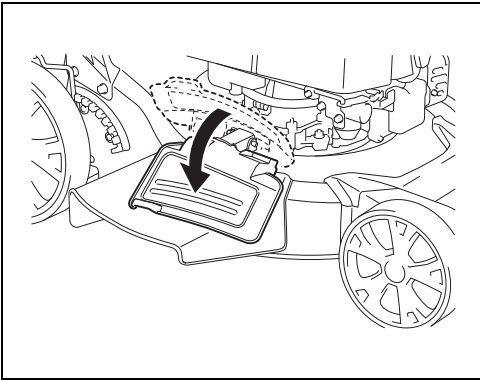
20A



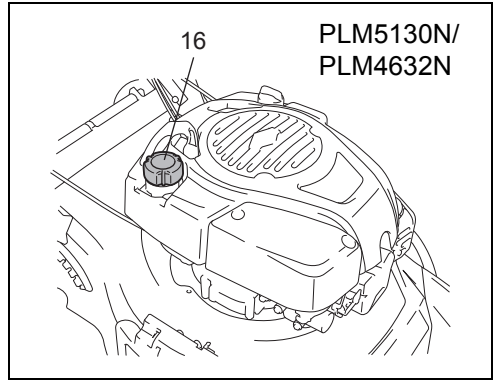
20B



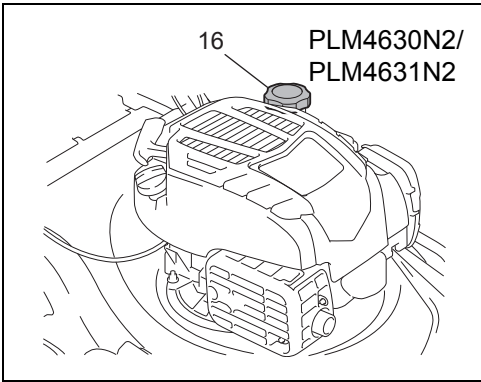
21



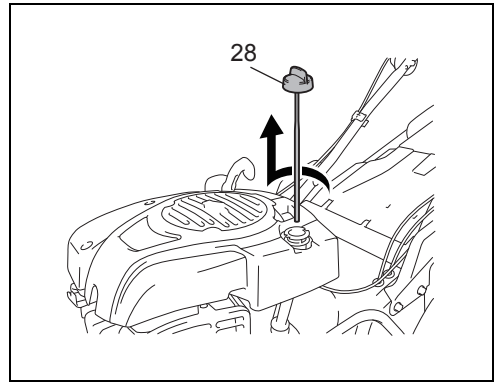
22



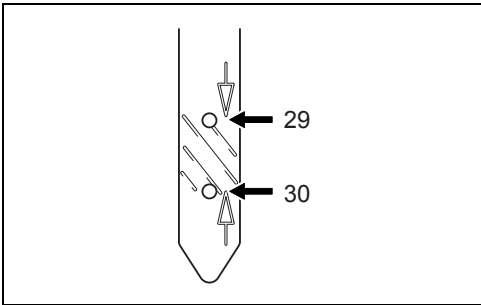
23



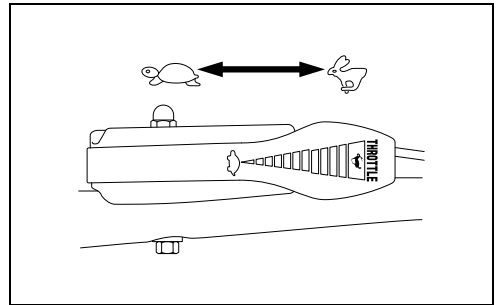
24



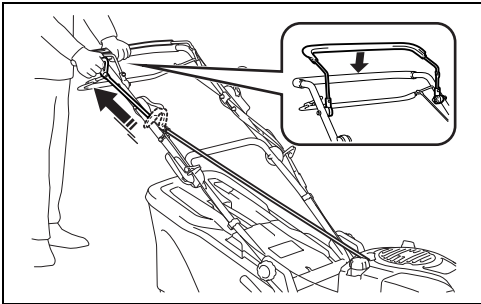
25



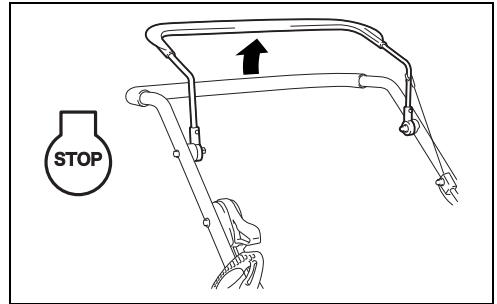
26



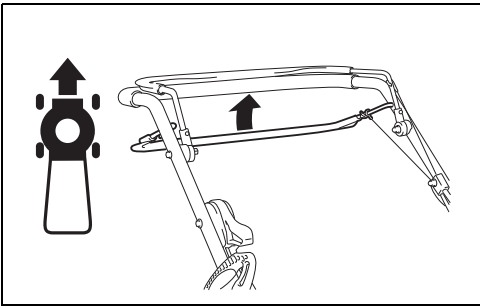
27



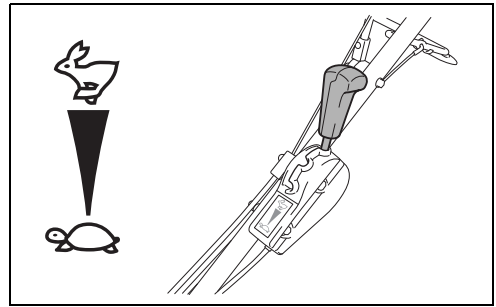
28



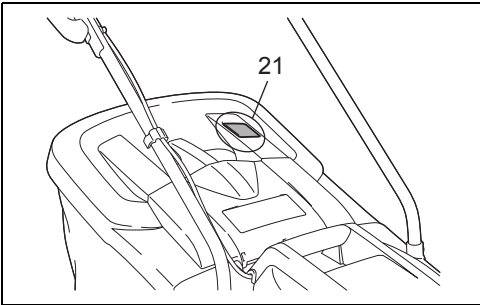
29



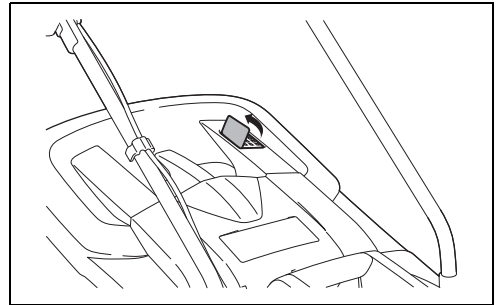
30



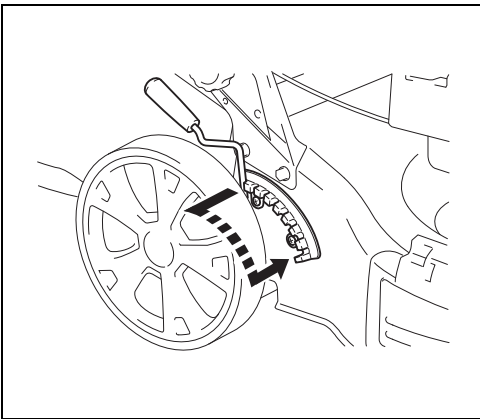
31



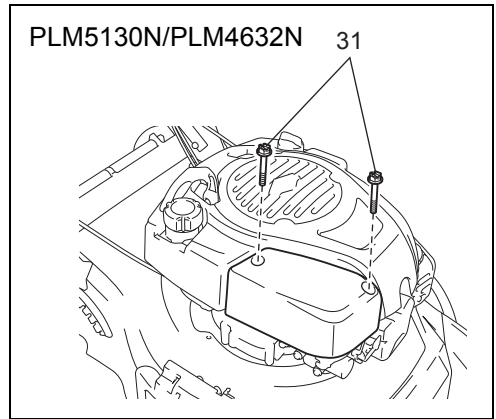
32



33

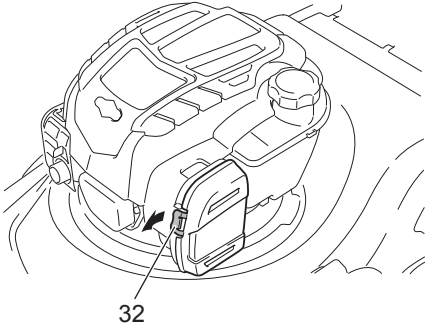


34

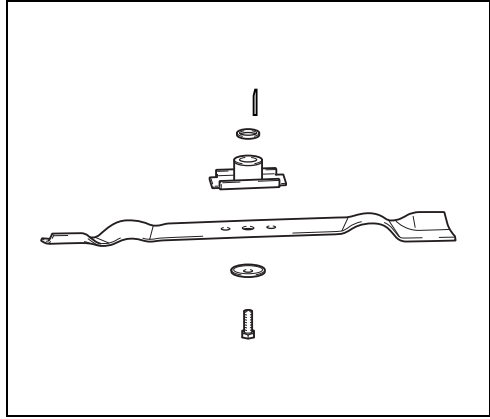


35

PLM4631N2/PLM4630N2



36



37

CONTENTS

ENGLISH	11
简体中文	19
BAHASA INDONESIA	26
TIẾNG VIỆT	34
ภาษาไทย.....	42

Explanation of general view

- | | | |
|------------------------------|----------------------------|------------------------------|
| 1. Brake control handle | 12. Sideward flap | 23. Washer |
| 2. Upper handle | 13. Deck | 24. Locking knob |
| 3. Self-drive control handle | 14. Spark plug | 25. Lock nut |
| 4. Throttle choke lever | 15. Oil cap | 26. The angle adjusting gear |
| 5. Starter handle | 16. Fuel cap | 27. Button |
| 6. Rope guide | 17. Cable clamp | 28. Oil cap/dipstick |
| 7. Locking lever | 18. Cable fixing ring | 29. Max: upper limit |
| 8. Lower handle | 19. Speed adjustment lever | 30. Min: lower limit |
| 9. Grass catcher | 20. Mulching wedge | 31. Screw |
| 10. Height adjustment lever | 21. Level indicator | 32. Tab |
| 11. Side discharge channel | 22. Bolt | 33. Locking mechanism |



WARNING:

For your own safety please read this manual before attempting to operate your new unit. Failure to follow instructions can result in serious personal injury. Spend a few moments to familiarize yourself with your mower before each use. Keep this manual in a safe place, so that the information is available at all times. If you give the equipment to any other person, hand over these operating instructions and safety regulations as well.

Intended use

The equipment may only be used for the tasks it is designed to handle. Any other use is deemed to be a case of misuse. The user/operator and not the manufacturer will be liable for any damage or injuries of any kind caused as a result of this.

The petrol lawn mower is intended for private use i.e. for use in home and gardening environments.

Private use of the lawn mower refers an annual operating time generally not exceeding that of 50 hours, during which time the machine is primarily used to maintain small-scale, residential lawns and home/hobby gardens. Public facilities, sporting halls, and agricultural/forestry applications are excluded.

Please note that our equipment has not been designed for use in commercial, trade or industrial applications. Our warranty will be voided if the machine is used in commercial, trade or industrial businesses or for equivalent purposes.

The operating instructions as supplied by the manufacturer must be kept and referred to in order to ensure that the lawn mower is properly used and maintained. The instructions contain valuable information on operating, maintenance and servicing conditions. Important! Due to the high risk of bodily injury to the user, the lawn mower may not be used to trim bushes, hedges or shrubs, to cut scaling vegetation, planted roofs, or balcony-grown grass, to clean (suck up) dirt and debris off walkways, or to chop up tree or hedge clippings. Moreover, the lawn mower may not be used as a power cultivator to level out high areas such as molehills. For safety reasons, the lawn mower may not be used as a drive unit for other work tools or tool kits of any kind.

1. SYMBOLS MARKED ON THE PRODUCT (ON THE REAR COVER)



Read operator's manual.



Keep bystanders away.



Pay more attention to the operator's hands and feet to avoid injury.



Fuel is flammable, keep fire away. Do not add fuel with running machine.



Toxic fumes; don't operate inside house.



When mowing, please wear the glasses and ear plugs to defend the operator himself.



When repairing, please pick up the spark plug, and then repair it according to the operational manual.



Caution: Engine hot.

2. GENERAL SAFETY RULES



WARNING: When using petrol tools, basic safety precautions, including the following, should always be followed to reduce the risk of serious personal injury and/or damage to the unit. Read all these instructions before operating this product and retain these instructions for future reference.



WARNING: This machine produces an electromagnetic field during operation. This field may under some circumstances interfere with active or passive medical implants. To reduce the risk of serious or fatal injury, we recommend persons with medical implants to consult their physician and the medical implant manufacturer before operating this machine.

Training

- Read the instructions carefully. Be familiar with the controls and the proper use of the equipment. Learn how to stop the engine quickly.
- Only use the lawn mower for the purpose for which it was designed, i.e. for cutting and collecting grass. Any other use can be hazardous, causing damage to the machine. Examples of improper use may include, but are not limited to:
 - transport of people, children or animals on the machine;
 - being transported by the machine;
 - using the machine to tow or push loads;
 - using the machine for leaf or debris collection;
 - using the machine to trim hedges, or for cutting vegetation other than grass;
 - use of the machine by more than one person;
 - using the blade on surfaces other than grass.
- Never allow children or people unfamiliar with these instructions to use the lawn mower. Local regulations can restrict the age of the operator.
- Never use the lawn mower:
 - when people, especially children, or pets are nearby;
 - if the operator has taken medicine or substances that can affect his ability to react and concentrate.
- Keep in mind that the operator or user is responsible for accidents or hazards occurring to other people or their property.
- The operators must receive proper training in the use, adjustment and operation of the machine, including prohibited operations.

Preparation

- While mowing, always wear substantial footwear and long trousers. Do not operate the equipment when barefoot or wearing open sandals.
- Thoroughly inspect the area where the equipment is to be used and remove all objects, such as stones, toys, sticks and wires, which can be thrown by the machine.
- **WARNING-** Petrol is highly flammable.
 - store fuel in containers specifically designed for this purpose;

- refuel outdoors only and do not smoke while refueling;
- add fuel before starting the engine. Never remove the cap of the fuel tank or add petrol while the engine is running or when the engine is hot;
- if petrol is spilled, do not attempt to start the engine but move the machine away from the area of spillage and avoid creating any source of ignition until petrol vapors have dissipated;
- replace all fuel tank and container caps securely.
- Replace faulty silencers.
- Before using, always visually inspect to see that the blades, blade bolts and cutter assembly are not worn or damaged. Replace worn or damaged blades and bolts in sets to preserve balance.
- Check regularly to ensure that all starting interlocks and operator presence controls are properly functioning.

Operation

- Do not operate the engine in a confined space where dangerous carbon monoxide fumes can collect.
- Do not use the machine while being tired, ill or under influence of alcohol or other drugs.
- **Warning!** Do not use the lawn mower when there is a risk for lightning.
- It is recommended to limit the duration of operation, in order to minimize the risks from noise and vibration.
- Be careful when using the lawn mower in slopes and near drop-offs, ditches or embankments.
- Mow only in daylight or in good artificial light.
- Avoid operating the equipment in wet grass, where feasible.
- Always be sure of your footing on slopes.
- Walk, never run.
- For wheeled rotary machines, mow across the face of slopes, never up and down.
- Exercise extreme caution when changing direction on slopes.
- Do not mow excessively on steep slopes.
- Use extreme caution when reversing or pulling the lawn mower towards you.
- Stop the blade(s) if the lawn mower has to be tilted for transportation when crossing surfaces other than grass, and when transporting the lawn mower to and from the area to be mowed.
- Never operate the lawn mower with defective guards, or without safety devices, for example deflectors and/or grass catchers, in place.
- **Caution:** The lawn mower shall not be operated without either the entire grass catcher or self-closing discharge opening guard in place.
- Do not change the engine governor settings or overspeed the engine.
- Do not alter or tamper with any sealed adjustment for the engine speed control.
- The lawn mower safety systems or features shall not be tampered with or disabled.
- Disengage all blades and drive clutches before starting the engine.
- Start the engine carefully according to instructions and with feet well away from the blade(s).
- Do not tilt the lawn mower when starting the engine.

- Do not start the engine when standing in front of the discharge chute.
- Do not put hands or feet near or under rotating parts. Keep clear of the discharge opening at all times.
- Never pick up or carry a lawn mower while the engine is running.
- Stop the engine and disconnect the spark plug wire, make sure that all moving parts have come to a complete stop and, where a key is fitted remove the key:
 - before clearing blockages or unclogging chute;
 - before checking, cleaning or working on the lawn mower;
 - after striking a foreign object. Inspect the lawn mower for damage and make repairs before restarting and operating the lawn mower;
 - if lawn mower starts to vibrate abnormally (check immediately).
- Stop the engine and disconnect the spark plug wire, make sure that all moving parts have come to a complete stop and, where a key is fitted remove the key:
 - whenever you leave the lawn mower;
 - before refueling.
- Reduce the throttle setting during engine shut down and, if the engine is provided with a shut-off valve, turn the fuel off at the conclusion of mowing.
- Only use the lawn mower for the purpose for which it is designed, for cutting and collecting grass. Any other use can be hazardous, causing damage to the machine.
- To reduce the fire hazard, keep the engine, silencer, battery compartment and petrol storage area free of grass, leaves, or excessive grease.
- Check the grass catcher frequently for wear or deterioration.
- Replace worn or damaged parts for safety.
- If the fuel tank has to be drained, this should be done outdoors.
- Improper maintenance, use of non-conforming replacement components, or the removal or modification of safety components can damage the lawn mower and injure the operators seriously.
- Only use the recommended blades and spare parts by the manufacturer. The use of non-genuine parts can damage the machine and injure the operators. Keep the lawn mower in good working condition.
- If the blade stopping device doesn't work, please contact service center for help.

Transportation and handling

- Whenever the machine is to be handled, raised, transported or tilted you must:
 - wear strong working gloves;
 - grasp the machine at the points that offer a safe grip, taking account of the weight and its distribution;
 - use an appropriate number of people for the weight of the machine and the characteristics of the vehicle or the place where it has to be placed or collected.
- During transport, fasten the machine securely with ropes or chains.



WARNING: Do not touch rotating blade.



WARNING: Refuel in a well ventilated area with the engine stopped.

3. PARTS DESCRIPTION (Fig. 1, Fig. 2, Fig. 3, Fig. 4)

Including

A: Spark plug wrench

Maintenance and storage

- Keep all nuts, bolts and screws tight to be sure the equipment are in safe working condition.
- Never store the equipment with petrol in the tank inside a building where fumes can reach an open flame or spark.
- Allow the engine to cool before storing in any enclosure; Clean and maintain the lawn mower before storage.

4. TECHNICAL DATA

Model	PLM4630N2	PLM4631N2	PLM4632N	PLM5130N
Engine type	B&S 675EXi Series, ReadyStart	B&S 675EXi Series, ReadyStart	B&S 750EX Series, ReadyStart	B&S 750EX Series, ReadyStart
Self-propelled	No	Yes	Yes	Yes
Engine displacement	163 cm ³	163 cm ³	161 cm ³	161 cm ³
Nominal Power	2.6 kW	2.6 kW	2.5 kW	2.5 kW
Blade width	460 mm	460 mm	460 mm	510 mm
Rated speed	2,800/min	2,800/min	2,800/min	2,800/min
Fuel tank capacity	1.0 L	1.0 L	1.0 L	1.0 L
Oil tank capacity	0.47 L	0.47 L	0.6 L	0.6 L
Grass catcher capacity	60 L	60 L	60 L	65 L
Net weight	30 kg	32.5 kg	35 kg	38 kg
Height adjustment	25 – 70 mm, 8 adjustment	25 – 70 mm, 8 adjustment	25 – 70 mm, 8 adjustment	25 – 70 mm, 8 adjustment

5. ASSEMBLY

5-1 ASSEMBLING THE FOLDING HANDLE

1. Fix the lower handlebar onto the handle bracket with bolt, washer and locking knob. (Fig. 5)
2. Lift the two locking levers to connect the upper and lower handle. (Fig. 6)
3. Push the locking lever closed to lock the handlebars in the operating position. (Fig. 7)
4. Adjust the tension by turning the lock nut with a suitable spanner. (Fig. 8)
5. Position the cable over the handle shaft. Clamp it around the middle of lower handle by the cable clamp and make sure the cable is fixed around the outside of the handle. (Fig. 9, Fig. 10) Otherwise the cable may be pinched by opening/closing the rear cover.

5-2 ADJUSTMENT FOR AN APPROPRIATE ANGLE

- 1) Pull the locking lever opening.
- 2) Rotating the upper handle centered of the angle adjusting gear for adjusting an appropriate angle into the scope -15° to 15° (3 position: $-15^{\circ}/0^{\circ}/15^{\circ}$) as the Fig. 11 shown.
- 3) Push the locking lever closed to connect the lower handle and the upper handle.

5-3 MOUNTING AND DISMOUNTING THE GRASS CATCHER

1. To fit: Raise the rear cover and hitch the grass catcher on rear of mower. (Fig. 12, Fig. 13, Fig. 14)
2. To remove: Grasp and lift rear cover, remove grass catcher.

5-4 STARTER HANDLE

Move the starter handle from the engine to the rope guide. (Fig. 15)

5-5 HEIGHT OF CUT

Apply outward pressure to disengage lever from rack. Move lever forward or back to adjust height. (Fig. 16 and see clause 7-9)

6. FUNCTION

These lawn mowers can be retrofitted from its normal function, based on the application purpose:

From lawn mower with rear collection to:

1. Mulching mower or as
2. Side-discharge mower.

What is mulching?

When mulching, the grass is cut in one working step, then finely chopped and returned to the grass strip as natural fertilizer.

Hints for mulch-mowing:

- Regular cut-back by max. 2 cm from 6 cm to 4 cm grass height.
- Use a sharp cutting knife.
- Do not mow wet grass.
- Set max. engine speed.
- Only move at working pace.

- Regularly clean mulching wedge, housing inner side and mowing blade.

Starting Operation

6-1 Retrofitting for mulching mower



WARNING: Only with a stopped engine and standstill cutter.

1. Raise the rear cover and remove the grass catcher.
2. Push the mulching wedge into the deck. Lock the mulching wedge with the button into the opening on the deck. (Fig. 17, Fig. 18)
3. Lower the rear cover again. (Fig. 19)
4. Lift sideward flap and remove the side discharge channel.

6-2 Resetting for side-discharge mowing



Only when engine and cutting are at standstill!

1. Lift the rear cover and remove the grass catcher.
2. Mount the mulching wedge.
3. Unlock the locking mechanism. (Fig. 20A)
4. Lift sideward flap for side discharge. (Fig. 20B)
5. Mount the side discharge channel for side discharge on the support pin of the sideward flap. (Fig. 21)
6. Lower the sideward flap- the flap lies on the side discharge channel. (Fig. 22)

6-3 Mowing with the grass catcher



WARNING: Only with a stopped engine and standstill cutter.

For mowing with the grass catcher, remove the mulching wedge and discharge channel for side discharge and mount the grass catcher.

1. Removing the mulching wedge.
 - Lift rear cover and remove the mulching wedge.
2. Removing the side discharge channel for side discharge.
 - Lift sideward flap and remove the side discharge channel.
 - The sideward flap automatically closes the discharge opening on the housing by mean of spring force.
 - Regularly clean the sideward flap and discharge opening forms of grass rest and stuck dirt.
3. Mount the grass catcher.
 - To fit: Raise the rear cover and hitch the grass catcher on rear of mower.
 - To remove: Grasp and lift the rear cover, remove grass catcher.

7. OPERATING INSTRUCTIONS

7-1 BEFORE STARTING

Service the engine with gasoline and oil as instructed in the separate engine manual packed in your mower. Read instructions carefully. (Fig. 23, Fig. 24, Fig. 25, Fig. 26)



WARNING: Petrol is highly flammable.

Store fuel in containers specifically designed for this purpose.

Refuel outdoors only, before starting the engine and do not smoke while refueling or handling fuel.

Never remove the cap of the fuel tank or add petrol while the engine is running or when the engine is hot.

If petrol is spilled, do not attempt to start the engine but move the machine away from the area of spillage and avoid creating any source of ignition until petrol vapors have dissipated.

Replace all fuel tanks and container caps securely.

Before tipping the lawn mower to maintain the blade or drain oil, remove fuel from tank.



WARNING: Never fill fuel tank indoors, with engine running or until the engine has been allowed to cool for at least 15 minutes after running.

7-2 TO START ENGINE AND ENGAGE BLADE

1. The unit is equipped with a rubber boot over the end of the spark plug, make certain the metal loop on the end of the spark plug wire (inside the rubber boot) is fastened securely over the metal tip on the spark plug.
2. When starting cool or warm engine, turn throttle choke lever at anywhere between “☁” position and “☞” position. When operating, turn throttle choke lever to “☞” position. (Fig. 27)
3. Standing behind the unit, grasp the brake control handle and hold it against the upper handle as shown in Fig. 28.
4. Grasp the starter handle as shown in Fig. 28 and pull up rapidly. Return it slowly to the rope guide bolt after engine starts.

Release the brake control handle to stop the engine and blade.



Start the engine carefully according to instructions and with feet well away from the blade.



Do not tilt the lawn mower when starting the engine. Start the mower on a level surface, free of high grass or obstacles.



Keep hands and feet away from the rotating parts. Do not start the engine when standing in front of the discharge opening.

7-3 OPERATION PROCEDURES

During operation, tightly hold the brake handle with both hands.



NOTE: During operation, when the brake handle is released, the engine will stop and thus stopping the lawn mower from operating.



WARNING: In order to avoid any unintentional start-ups of the lawn mower, it comes equipped with an engine brake which must be pulled back before the

engine can be started. When the engine control lever is released it must return to its initial position, at which point the engine automatically switches off.



NOTE: Engine brake (brake handle): Use the lever to stop the engine. When you release the lever the engine and the blade stop automatically. To mow, hold the lever in the working position. Before you start to mow, check the start/stop lever several times to be sure that it is working properly. Ensure that the tension cable can be smoothly operated (i.e. is not catching or kinking in any way).

7-4 TO STOP ENGINE



CAUTION: The blade continues to rotate for a few seconds after the engine is shut off.

1. Release the brake control handle to stop the engine and blade. (Fig. 29)
2. Disconnect and ground the spark plug wire as instructed in the separate engine manual to prevent accidental starting while equipment is unattended.

7-5 CONNECTION FOR AUTO MOVE

For PLM4631N2

Grip the self-drive control handle, the lawn mower will move forward automatically with about 3.6 km/h (Fig. 30), release the self-drive handle, the lawn mower will stop move.

For PLM4632N, PLM5130N

The mower is equipped with a speed adjusting system which can adjust 3 speeds from 3.0 km/h to 4.5 km/h. Position “☁”: the slowest position; Position “☞”: the fastest position. (Fig. 31)

The step as below:

1. Release the self-drive control handle until the lawn mower does not go forward.
2. Adjust the appropriate speed which you want. (Fig. 31)
3. Grasp the self-drive control handle to go on mowing. (Fig. 30)



CAUTION: Your mower is designed to cut normal residential grass of a height no more than 250 mm. Do not attempt to mow through unusually tall dry or wet grass (e.g., pasture) or piles of dry leaves. Debris may build up on the mower deck or contact the engine exhaust presenting a potential fire hazard.

7-6 FOR THE BEST RESULTS WHEN MOWING

Clear lawn of debris. Be sure that the lawn is clear of stones, sticks, wire or other foreign objects which could be accidentally thrown out by the mower in any direction and cause serious personal injury to the operator and others as well as damage to property and surrounding objects. Do not cut wet grass. For effective mowing do not cut wet grass because it tends to stick to the underside of the deck preventing proper mowing of the grass clippings. Cut no more than 1/3 the length of the grass. The

recommended cut for mowing is 1/3 the length of the grass. Ground speed will need to be adjusted so the clippings can be dispersed evenly into the lawn. For especially heavy cutting in thick grass it may be necessary to use one of the slowest speeds in order to get a clean well mowed cut. When mowing long grass you may have to cut the lawn in two passes, lowering the blade another 1/3 of the length for the second cut and perhaps cutting in a different pattern than was used the first time. Overlapping the cut a little on each pass will also help to clean up any stray clippings left on the lawn. The mower should always be operated at full throttle to get the best cut and allow it to do the most effective job of mowing. Clean underside of deck. Be certain to clean the underside of the cutting deck after each use to avoid a build-up of grass, which would prevent proper mulching. Mowing leaves. The mowing of leaves can also be beneficial to your lawn. When mowing leaves make sure they are dry and are not laying too thick on the lawn. Do not wait for all the leaves to be off the trees before you mow.



WARNING: If you strike a foreign object, stop the engine. Remove wire from spark plug, thoroughly inspect the mower for any damage and repair the damage before restarting and operating the mower. Extensive vibration of the mower during operation is an indication of damage. The unit should be promptly inspected and repaired.

7-7 GRASS CATCHER

There is a level indicator on the top of the grass catcher that shows whether the catcher is empty or full (Fig. 32, Fig. 33):

- The level indicator inflates if the catcher is not full during the moving. (Fig. 33)
- If the catcher is full, the indicator collapses; once this happens, stop moving immediately and empty the catcher, make sure it is clean and ensure its meshwork is ventilated. (Fig. 32)

IMPORTANT

If the position of indicator opening is very dirty, the indicator will not inflate-in this case, clean the position of indicator opening immediately.

7-8 DECK

The underside of the mower deck should be cleaned after each use to prevent a buildup of grass clippings, leaves, dirt or other matter. If this debris is allowed to accumulate, it will invite rust and corrosion, and may prevent proper mulching. The deck may be cleaned by tilting the mower and scraping clean with a suitable tool (make certain the spark plug wire is disconnected).

7-9 HEIGHT ADJUSTMENT INSTRUCTIONS



CAUTION: Do not at any time make any adjustment to lawn mower without first stopping the engine and disconnecting the spark plug wire.



CAUTION: Before changing mowing height, stop mower and disconnect spark plug cable.

Your mower is equipped with a central height adjustment lever offering 8 height positions.

The height (the blade to the ground) can be adjusted from 25 mm to 70 mm (8 height positions). (Fig. 34)

The lowest adjustment: 25 mm (position 1), the highest adjustment: 70 mm (position 8).

1. Stop mower and disconnect spark plug cable before changing mower cutting height.
2. The central height adjustment lever offers you 8 different height positions. (Fig. 34)

To change the height of cut, squeeze adjustment lever toward the wheel, moving up or down to selected height.

8. MAINTENANCE INSTRUCTIONS

SPARK PLUG

Use only original replacement spark plug. For best results, replace the spark plug every 100 hours of use.

BRAKE PADS

Check and/or replace the engine brake pads in service agent regularly, only original parts can be used as replacement.

9. LUBRICATION INSTRUCTIONS



CAUTION: DISCONNECT SPARK PLUG BEFORE SERVICING.

1. WHEELS-Lubricate the ball bearings in each wheel at least once a season with a light oil.
2. ENGINE-Follow engine manual for lubrication instructions.

10. CLEANING



CAUTION: Do not hose engine. Water can damage engine or contaminate the fuel system.

1. Wipe deck with dry cloth.
2. Hose under deck by tilting the mower so that the spark plug is up.

10-1 ENGINE AIR CLEANER



CAUTION: Do not allow dirt or dust to clog the air filter foam element. The engine air cleaner element must be serviced (cleaned) after 25 hours normal mowing. The foam element must be serviced regularly if the mower is used in dry dusty conditions.

TO CLEAN AIR FILTER

1. Remove the screw. (Fig. 35 for PLM4632N and PLM5130N)
2. Lift the tab on the filter cover. (Fig. 36 for PLM4630N2 and PLM4631N2)
3. Remove the filter cover.
4. Wash filter element in soap water. **DO NOT USE GASOLINE!**

5. Air dry filter element.
6. Place a few drops of SAE30 oil on the foam filter and squeeze tightly to remove any excess oil.
7. Reinstall filter.
8. Close the filter cover.

NOTE: Replace filter if frayed, torn, damaged or unable to be cleaned.

10-2 CUTTING BLADE



CAUTION: Be sure to disconnect and ground the spark plug wire before working on the cutting blade to prevent accidental engine starting. Protect hands by using heavy gloves or a rag to grasp the cutting blades. Tip mower as specified in separate engine manual. Remove the hex bolt and washer which hold the blade and blade adapter to the engine crankshaft. Remove the blade and adapter from the crankshaft.



WARNING: Periodically inspect the blade adapter for cracks, especially if you strike a foreign object. Replace when necessary.

For best results your blade should be sharp. The blade may be resharpened by removing it and either grinding or filing the cutting edge keeping as close to the original bevel as possible. It is extremely important that each cutting edge receives an equal amount of grinding to prevent an unbalanced blade. Improper blade balance will result in excessive vibration causing eventual damage to the engine and mower. Be sure to carefully balance blade after sharpening. The blade can be tested for balance by balancing it on a round shaft screwdriver. Remove metal from the heavy side until it balances evenly. **(Fig. 37)** Before reassembling the blade and the blade adapter to the unit, lubricate the engine crankshaft and the inner surface of the blade adapter with light oil. Install the blade adapter on the crankshaft. Refer to **Fig. 37**. Place the blade with the part number facing away from the adapter. Align the washer over the blade and insert the hex bolt. Tighten the hex bolt to the torque listed below.

10-3 BLADE MOUNTING TORQUE

Center bolt 40 Nm - 50 Nm, to insure safe operation of your unit. All nuts and bolts must be checked periodically for correct tightness.

After prolonged use, especially in sandy soil conditions, the blade will become worn and lose some of the original shape. Cutting efficiency will be reduced and the blade should be replaced. Replace with an approved factory replacement blade only. Possible damage resulting from blade unbalance condition is not the responsibility of the manufacturer.

When you change the blade, must use the original type marked on the blade (MAKITA 263001451 for PLM4630N2/PLM4631N2/PLM4632N, MAKITA 263002552 for PLM5130N) (for order the blade, pls. contact your local dealer or call our company, see cover page).

10-4 ENGINE

Refer to the separate engine manual for engine maintenance instructions.

Maintain engine oil as instructed in the separate engine manual packed with your unit. Read and follow instructions carefully. Service air cleaner as per separate engine manual under normal conditions. Clean every few hours under extremely dusty conditions. Poor engine performance and flooding usually indicates that the air cleaner should be serviced. To service the air cleaner, refer to the separate engine manual packed with your unit. The spark plug should be cleaned and the gap reset once a season. Spark plug replacement is recommended at the start of each mowing season; check engine manual for correct plug type and gap specifications. Clean the engine regularly with a cloth or brush. Keep the cooling system (blower housing area) clean to permit proper air circulation which is essential to engine performance and life. Be certain to remove all grass, dirt and combustible debris from muffler area.

11. STORAGE INSTRUCTIONS (OFF SEASON)

The following steps should be taken to prepare lawn mower for storage.

1. Empty the tank after the last mowing of the season.
 - a) Empty the petrol tank with a suction pump.



CAUTION: Do not drain the petrol in closed rooms, in close proximity of open fire, etc. Do not smoke! Petrol fumes can cause explosion or fire.

- b) Start the engine and let it run until it has used up all remaining petrol and stalls.
 - c) Remove the spark plug. Use an oilcan to fill approx. 20 ml oil into the combustion chamber. Operate the starter to evenly distribute the oil in the combustion chamber. Replace the spark plug.
2. Clean and grease the lawn mower carefully as described above under "LUBRICATION INSTRUCTIONS".
3. Slightly grease the cutter to avoid corrosion.
4. Store the lawn mower in a dry, clean and frost-protected place, out of reach of unauthorized persons.



CAUTION: The engine must have completely cooled down before storing the lawn mower.



NOTE:

- When storing any type of power equipment in an unventilated or material storage shed.
- Care should be taken to rust-proof the equipment. Using a light oil or silicone, coat the equipment, especially cables and all moving parts.
- Be careful not to bend or kink cables.
- If the starter rope becomes disconnected from rope guide on handle, disconnect and ground the spark plug wire, depress the blade control handle and pull the starter rope out from engine slowly. Slip the starter rope into the rope guide bolt on handle.

Transport

Turn the engine off and allow the engine to cool down. Then disconnect the spark plug wire and empty the fuel tank according to the instructions in the engine manual.

Ensure not to bend or damage the cutter when pushing the lawn mower over obstacles.

12. TROUBLESHOOTING

PROBLEM	PROBABLE CAUSE	CORRECTIVE ACTION
Engine does not start.	Throttle choke not in the correct position for the prevailing conditions.	Move throttle choke to correct position.
	Fuel tank is empty.	Fill tank with fuel: refer to ENGINE OWNERS MANUAL.
	Air cleaner element is dirty.	Clean air cleaner element: refer to ENGINE OWNERS MANUAL.
	Spark plug loose.	Tighten spark plug to 25-30 Nm.
	Spark plug wire loose or disconnected from plug.	Install spark plug wire on spark plug.
	Spark plug gap is incorrect.	Set gap between electrodes at 0.7 to 0.8 mm.
	Spark plug is defective.	Install new, correctly gapped plug: refer to ENGINE OWNERS MANUAL.
	Carburetor is flooded with fuel.	Remove air cleaner element and pull starter rope continuously until carburetor clears itself and install air cleaner element.
	Faulty ignition module.	Contact the service agent.
Engine difficult to start or loses power.	Dirt, water, or stale fuel tank.	Drain fuel and clean tank. Fill tank with clean, fresh fuel.
	Vent hole in fuel tank cap is plugged.	Clean or replace fuel tank cap.
	Air cleaner element is dirty.	Clean air cleaner element.
Engine operates erratically.	Spark plug is defective.	Install new, correctly gapped plug: refer to ENGINE OWNERS MANUAL.
	Spark plug gap is incorrect.	Set gap between electrodes at 0.7 to 0.8 mm.
	Air cleaner element is dirty.	Clean air cleaner element: refer to ENGINE OWNERS MANUAL.
Engine idles poorly.	Air cleaner element is dirty.	Clean air cleaner element: refer to ENGINE OWNERS MANUAL.
	Air slots in engine shroud are blocked.	Remove debris from slots.
	Cooling fins and air passages under engine blower housing are blocked.	Remove debris from cooling fins and air passages.
Engine skips at high speed.	Gap between electrodes of spark plug is too close.	Set gap between electrodes at 0.7 to 0.8 mm.
Engine overheats.	Cooling air flow is restricted.	Remove any debris from slots in shroud, blower housing, air passages.
	Incorrect spark plug.	Install original spark plug and cooling fins on engine.
Mower vibrates abnormally.	Cutting assembly is loose.	Tighten blade.
	Cutting assembly is unbalanced.	Balance blade.

13. ENVIRONMENT

Should your machine need replacement after extended use, do not put it in the domestic waste but dispose of it in an environmentally safe way.

- | | | |
|-------------|-----------|---------------|
| 1. 制动控制把手 | 12. 侧边翻门 | 23. 垫圈 |
| 2. 上把手 | 13. 甲板 | 24. 锁紧旋钮 |
| 3. 自动驾驶控制把手 | 14. 火花塞 | 25. 锁紧螺母 |
| 4. 气门阀杆 | 15. 机油盖 | 26. 角度调节齿轮 |
| 5. 起动手柄 | 16. 燃油盖 | 27. 按钮 |
| 6. 导绳器 | 17. 电缆夹 | 28. 机油盖 / 量油尺 |
| 7. 锁杆 | 18. 电缆固定环 | 29. 最大: 上限 |
| 8. 下把手 | 19. 速度调节杆 | 30. 最小: 下限 |
| 9. 集草器 | 20. 遮覆楔 | 31. 螺钉 |
| 10. 高度调节杆 | 21. 草位指示器 | 32. 弹片 |
| 11. 侧边卸料槽 | 22. 螺栓 | 33. 锁定机构 |



警告:

为了您的自身安全, 请在尝试操作新机器之前阅读本手册。未能遵守这些指导可能会导致严重人身伤害。每次使用之前, 请花点时间让自己熟悉草坪机。请妥善保管本手册, 以便随时备用。如果您将机器交给其他任何人, 请同时给出这些操作指导和安全规定。

用途

仅可将本机器用于设计的用途。用于任何其他用途均被视为误用。因误用而造成任何损坏或伤害, 要由用户 / 操作人员负责, 制造商不负责。

本汽油草坪机用于私人用途, 即用于家中和园艺环境。草坪机私人用途是指年运转时间一般不超过 50 小时, 在此时间内机器主要被用来维护小型、居所草坪和家庭 / 业余花园。不包括公共设施、体育场和农业 / 林业应用。

请注意, 我们的机器未设计用于商业、贸易或工业用途。如果将机器用于商业、贸易、工业或类似用途, 则保修将失效。

为确保正确使用和维护草坪机, 必须保管和参考制造商提供的操作手册。手册中包含有关操作、维护和维修的宝贵信息。

重要! 因很有可能可能会对用户造成人身伤害, 不能将草坪机用于修剪草丛、树篱或灌木, 切割藤类植物、屋顶植物或阳台上生长的草, 清理 (吸掉) 过道的灰尘和碎屑, 或砍削树木或篱笆片。此外, 不能将草坪机用作耕耘机来耘平鼯鼠丘等高区。

为了安全, 不能将草坪机用作其他工具或任何工具套件的驱动装置。

1. 产品上标记的符号 (在后盖上)



请阅读操作员手册。



请让旁观者远离。



请注意操作人员的手和脚, 避免受伤。



燃油是易燃的, 请远离火源。请勿往运转的机器中添加燃油。



有毒燃气; 请勿在室内操作。



除草时, 请佩戴眼镜和耳塞, 保护操作人员。



修理时, 请拿起火花塞并按照操作手册进行修理。



注意: 发动机热。

2. 一般安全规则



警告: 使用汽油工具时, 必须遵守基本安全注意事项 (包括以下内容) 以减少严重的人员受伤和 / 或机器损坏的危险。操作本产品前请仔细阅读这些指导并妥善保管这些指导以备日后参考。



警告: 本机器在工作期间将产生电磁场。该电磁场在某些情况下可能主动或被动干扰医疗植入物。为减少严重或致命受伤的危险, 我们建议带有医疗植入物的人员在操作本机器前咨询其医生和医疗植入物制造商。

训练

- 请仔细阅读手册。熟悉控件和机器的正确使用。学会如何迅速停止发动机。
- 请仅将草坪机用于其设计的用途，即切割和收集草。用于任何其他用途都有隐患，造成机器损坏。不正确的例子包括但不限于：
 - 在机器上运人、小孩或动物；
 - 用机器装运；
 - 使用机器来拉或推重物；
 - 使用机器收集树叶或碎屑；
 - 使用机器来修剪树篱，或用于切割草以外的植物；
 - 由一个以上的人使用机器；
 - 在草以外的表面上使用刀具。
- 切勿让不熟悉这些指导的小孩或成人使用草坪机。地方规定可能限制操作人员的年龄。
- 在以下情况时切勿使用草坪机：
 - 当附近有人时，特别是小孩，或宠物时；
 - 如果操作人员服了会影响其反应和注意力的药物或物质。
- 要记得，发生对他人或其财产造成损失的意外或事故，操作人员或用户是要负责的。
- 操作人员必须接受机器的使用、调节和操作的适当训练，包括禁止的操作。

准备

- 割草时，总是穿厚底鞋和长裤。光脚或穿凉鞋时请勿操作设备。
- 请彻底检查要使用机器的区域并移除所有物体，包括石头、玩具、树枝和电线，它们可能被机器甩开。
- 警告 - 汽油是高度易燃的。
 - 请将燃油存放在专门用于此目的的容器中；
 - 仅限在室外加燃油，加燃油时请勿吸烟；
 - 启动发动机前先添加燃油。发动机运行或发动机热时禁止取下燃油箱的盖子或添加汽油；
 - 如果汽油溅出，请勿试图启动发动机，但可将机器移至远离溢出区域的地方，避免形成易燃源，直至汽油蒸汽完全挥发了；
 - 更换所有燃油箱和容器盖并扣紧。
- 更换故障的消音器。
- 使用前，总是目视检查刀片、刀片螺栓和刀具总成有无磨损或损坏。成套更换磨损或损坏的刀片以保持平衡。
- 请时常检查以确保所有启动互锁和操作人员存在控件都能正常工作。

操作

- 请勿在有可能聚集有害一氧化碳烟气的密闭空间中操作发动机。
- 在疲劳、生病或受酒精或其他药物影响下时，请勿使用机器。
- 警告！在有雷电危险时不要使用草坪机。
- 为使噪声和振动危险最小化，建议限制操作时长。
- 在斜坡上和陡坡、沟渠或河堤附近使用草坪机时要小心。
- 仅在白天或人工光线良好的情况下割草。
- 避免在可能有湿草的地方操作机器。
- 斜坡时，务必注意您的脚。
- 步行，禁止跑动。
- 对于轮子旋转的机器，在坡面上割草时，禁止上下动。
- 在斜坡上改变方向时，请特别注意。
- 请勿在陡坡上割草。

- 转向或将草坪机朝自己拉时请特别小心。
- 当草坪机接触非草的表面时将草坪机搬运至 / 从要割草的地方搬运时，如果为了搬运倾斜了草坪机，请停止刀片。
- 禁止在草坪机的护板有问题或没有安全设备（如导向板和 / 或集草器）就位时操作草坪机。
- 注意：未装上整个集草器或自关闭卸料槽护板，不可操作草坪机。
- 请勿更改发动机调速器的设置或让发动机超速。
- 请勿改造或篡改发动机速度控制的任何密封调节。
- 不可篡改或禁用草坪机的安全系统或功能。
- 启动发动机前，松开所有刀片和传动离合器。
- 根据指导小心启动发动机，脚远离刀片。
- 启动发动机时，请勿倾斜草坪机。
- 站在卸料槽前时请勿启动发动机。
- 请勿将手或脚靠近或在旋转部件下。总是保持出料口的清洁。
- 发动机运行时，请勿拿起或搬运草坪机。
- 停止发动机，断开火花塞线的连接，确保所有移动部件已经完全停止，如果钥匙还插着取下钥匙：
 - 清洁堵塞或清理卸料槽前；
 - 检查、清洁草坪机或在草坪机上工作前；
 - 击打到异物后。检查草坪机有无损坏，重启和操作草坪机前先进行修理；
 - 如果草坪机启动异常振动（立即检查）。
- 停止发动机，断开火花塞线的连接，确保所有移动部件已经完全停止，如果钥匙还插着取下钥匙：
 - 任何时候离开草坪机时；
 - 加燃油前。
- 发动机关机时减少油门设置，如果发动机配有切断阀，在除草结束时关闭燃油。
- 请仅将草坪机用于其设计的用途，即切割和收集草。用于任何其他用途都有隐患，造成机器损坏。

维护和存放

- 保持所有螺母、螺栓和螺钉拧紧，确保设备处于安全工作条件下。
- 禁止将油箱中有汽油的机器存放在烟气能接触到明火或火花的建筑物内。
- 在存储于任何围栏中之前，请让发动机冷却；存储之前请清洁并维护草坪机。
- 为减少火灾危险，请保持发动机、消音器、电池舱和汽油存放区域无草、树叶或过多的润滑油。
- 经常检查集草器有无磨损或退化。
- 为了安全起见，更换磨损或损坏的部件。
- 如果燃油箱必须排放，这应在室外进行。
- 维护不正确、使用不符的更换部件，或卸下或改造安全部件会损坏草坪机并严重伤害操作人员。
- 请仅使用制造商推荐的刀片和备用件。使用非正宗部件会损坏机器并损坏操作人员。请使草坪机保持良好的工作状态。
- 如果刀片止动装置不能工作，请联系维修中心寻求帮助。

运输和搬运

- 在要搬运、抬起、运输或倾斜机器时，您必须：
 - 戴上牢固的工作手套；
 - 抓住机器上牢靠的握位，顾及重量及其分布；
 - 考虑机器的重量和车子的特性或要放置或收集的位置，使用适当数目的人工。
- 装运时，请用绳索或铁链固定机器。



警告：请勿触碰旋转刀片。



警告：发动机停止后，在通风良好的区域加燃油。

3. 部件说明 (图 1、图 2、图 3、图 4)

包括

A: 火花塞扳手

4. 技术数据

型号	PLM4630N2	PLM4631N2	PLM4632N	PLM5130N
发动机类型	B&S 675EXi 系列, ReadyStart	B&S 675EXi 系列, ReadyStart	B&S 750EX 系列, ReadyStart	B&S 750EX 系列, ReadyStart
自推进	否	是	是	是
发动机排量	163 cm ³	163 cm ³	161 cm ³	161 cm ³
标称功率	2.6 kW	2.6 kW	2.5 kW	2.5 kW
刀片宽度	460 mm	460 mm	460 mm	510 mm
额定速度	2,800/ 分钟	2,800/ 分钟	2,800/ 分钟	2,800/ 分钟
燃油箱容量	1.0 L	1.0 L	1.0 L	1.0 L
机油箱容量	0.47 L	0.47 L	0.6 L	0.6 L
集草器容量	60 L	60 L	60 L	65 L
净重	30 kg	32.5 kg	35 kg	38 kg
高度调节	25 - 70 mm, 8 档调节	25 - 70 mm, 8 档调节	25 - 70 mm, 8 档调节	25 - 70 mm, 8 档调节

5. 组装

5-1 组装折叠把手

1. 用螺栓、垫圈和锁紧旋钮将下把手杆固定在把手支架上 (图 5)
2. 升高两根锁杆, 对中下和上把手。(图 6)
3. 按下锁杆, 锁紧把手杆在操作位置。(图 7)
4. 用适合的扳手转动锁紧螺母, 调节松紧度。(图 8)
5. 将电缆固定在把手轴上。用电缆夹在下把手的中部将电缆夹住, 确保电缆固定在把手的外侧。(图 9、图 10) 否则, 电缆可能会由于打开 / 关闭后盖而被挤压。

5-2 调节适合的角度

- 1) 拉锁杆打开。
- 2) 转动角度调节齿轮中心的上把手, 调节适合的角度范围在 -15° 到 15° 内 (3 位置: -15°/0°/15°), 如图 11 所示。
- 3) 按下锁杆, 对中下和上把手。

5-3 安装和拆卸集草器

1. 安装: 升高后盖, 勾住后草坪机上的集草器。(图 12、图 13、图 14)
2. 拆除: 抓住后盖并抬高, 取出集草器。

5-4 起动手柄

移动起动手柄从发动机到导绳器。(图 15)

5-5 切割高度

施加向外的压力, 从机架上拆下杆。前后移动杆, 调节高度。(图 16, 参见第 7-9 条)

6. 功能

这些草坪机可根据应用目的对其普通功能进行改进:

从带后收集的草坪机到:

1. 遮覆式草坪机或作为
2. 侧排放草坪机。

什么是遮覆式?

当采用遮覆式时, 草在一个工作步骤中完成切割, 然后被很好地被切碎并作为自然肥料返回到植草地带中。

遮覆式除草提示:

- 通常最大减少 2 cm, 草高度 6 cm 到 4 cm。
- 使用锋利的切割刀。
- 请勿切割湿草。
- 设置最高发动机速度。
- 仅按工作步骤移动。
- 定期清洁遮覆楔, 外壳内侧和除草刀片。

起动操作

6-1 遮覆草坪机改装



警告: 仅在发动机停止和刀片静止时进行。

1. 抬高后盖并拆下集草器。
2. 将遮覆楔按入甲板。用按钮将遮覆楔按入甲板的开口中。(图 17、图 18)
3. 再次降低后盖。(图 19)
4. 升高侧边翻门, 取下侧边卸料槽。

6-2 侧边排料割草重置



仅在电机和切刀禁止时进行!

1. 抬高后盖并拆下集草器。
2. 安装遮覆楔。
3. 解锁锁定机构。(图 20A)

4. 升高侧边翻门用于侧面排料。(图 20B)
5. 侧边排料槽安装在侧边翻门的拉杆上, 用于侧面排料。(图 21)
6. 降低侧边翻门 - 阀门位于侧边排料槽上。(图 22)

6-3 带集草器的割草



警告: 仅在发动机停止和切刀静止时进行。对于带集草器的割草, 取下遮覆楔和侧面排料的排料槽, 安装集草器。

1. 取下遮覆楔。
 - 抬高后盖并取下遮覆楔。
2. 取下侧边排料的侧边排料槽。
 - 升高侧边翻门, 取下侧边排料槽。
 - 通过弹簧力让侧边翻门自动靠近外壳的排料开口处。
 - 定期清洁侧边翻门和积草、脏污的排放开口处。
3. 安装集草器。
 - 安装: 升高后盖, 勾住后草坪机上的集草器。
 - 拆除: 抓住后盖并抬高, 取出集草器。

7. 操作指导

7-1 起动机

按照草坪机随配的单发动机手册中的指导用汽油和燃油维护发动机。请仔细阅读指导。(图 23、图 24、图 25、图 26)



警告: 汽油是高度易燃的。请将燃油存放在专门用于此目的的容器中。启动发动机前请在室外加燃油。加燃油或搬运燃油时请勿吸烟。

发动机运行或发动机热时禁止取下燃油箱的盖子或添加汽油。

如果汽油溅出, 请勿试图启动发动机, 但可将机器移至远离溢出区域的地方, 避免形成易燃源, 直至汽油蒸汽完全挥发了。

更换所有燃油箱和容器盖并扣紧。

倾斜草坪机以维护刀片或排放机油前, 请将燃油从燃油箱中倒出。



警告: 禁止在室内、发动机运行时向燃油箱添加燃油, 发动机运行后至少要冷却 15 分钟后才允许。

7-2 启动发动机, 装上刀片

1. 设备在火花塞的端头上配有橡胶套, 确保火花塞线端头上的金属环 (橡胶套内) 牢牢固定在火花塞的金属尖上。
2. 当冷启动或热启动发动机时, 将气门阀杆转至“☁”位置和“☁”位置间的任意位置。在运转时, 将气门阀杆转至“☁”位置。(图 27)
3. 站在机器后, 抓紧制动控制把手并握住它靠着上把手, 如图 28 所示。
4. 抓住启动把手, 如图 28 所示, 然后快速上拉。发动机启动后, 将其慢慢回至导绳器螺栓。松开制动控制把手, 停止发动机和刀片。



根据指导小心启动发动机, 脚远离刀片。



启动发动机时, 请勿倾斜草坪机。在平整地面上启动草坪机, 无高草或障碍物。



保持手、脚远离旋转部件。站在出料口前时请勿启动发动机。

7-3 操作步骤

操作期间, 用双手牢牢握住制动把手。



注: 操作期间, 当制动把手松开时, 发动机将停止并让草坪机从运行进入停止状态。



警告: 为防止任何意外启动, 草坪机配备发动机刹车, 在可以启动发动机之前必须将其拉回。当发动机控制杆松开时, 它必须回到其初始位置, 此时发动机自动关闭。



注: 发动机刹车 (刹车柄): 使用操纵杆来停止发动机。当您松开操纵杆时, 发动机和刀片将自动停止。要割草, 请将操纵杆保持在工作位置。在开始割草之前, 请检查几次开始/停止杆以确保其正常工作。确保松紧线可以顺畅操作 (即不会卡牢或扭结)。

7-4 停止发动机



注意: 发动机关闭后, 刀片将继续旋转数秒。

1. 松开制动控制把手, 停止发动机和刀片。(图 29)
2. 按照单独的发动机手册上的指导, 断开火花塞线连接并接地, 防止设备出现意外启动。

7-5 自动移动连接

对于 PLM4631N2

紧握自驱动控制把手, 草坪机将以约 3.6 km/h 的速度自动前行 (图 30), 松开自驱把手, 草坪机将停止移动。

对于 PLM4632N、PLM5130N

草坪机配有速度调节系统, 可进行 3 速调节, 范围从 3.0 km/h 到 4.5 km/h。

位置“☁”: 最慢位置; 位置“☁”: 最快位置。

(图 31)

步骤如下:

1. 松开自驱动控制把手, 直至草坪机不再向前。
2. 调节您需要的适合速度。(图 31)
3. 抓住自驱动控制把手继续除草。(图 30)



注意: 您的草坪机设计用于切割高度不超过 250 mm 的普通住宅草坪。请勿尝试对异常干或湿的草 (如牧草) 或干树叶堆除草。碎屑可能会积聚在草坪机表面或接触到发动机排气, 有潜在的火灾危险。

7-6 获得除草的最佳效果

清除草坪杂碎。确保草坪机无石头、树枝、电线或其他可能的任何异物（可能引起草坪机以任意方向投掷，对操作人员或他人造成严重受伤，以及对财产或周围物品的损坏）。请勿切割湿草。为了高效割槽，请勿切割湿草，因为它易于黏住并粘在甲板下面，阻碍正常割草。切割不超过 1/3 长度的草。建议切割 1/3 长度的草。地面速度需要调节，这样草屑可均匀地分布在草坪上。对于任务特别重的厚草切割，需要使用最慢的速度之一，以获得良好、清洁地割草效果。当切割长草时，您可能需要将草坪分成两道，降低刀片另外 1/3 的长度进行第二切割，也许会按不同于第一次的模式进行切割。每道上有一点点切割重叠，将有助于清洁草坪上剩下的散开草屑。草坪机应总是在满油门的情况下进行操作，获得最佳的切割效果，完成最高效的割草作业。清洁甲板下面。每次使用后务必清洁甲板下面，避免堆积的草，这将妨碍正常割草。割树叶。割树叶也有利于您的草坪。割树叶时确保它们干燥并且在草坪上没有堆得太厚。不要等所有树叶都从树上掉下来才开始割树叶。



警告：如果您碰到异物，请停止发动机。从火花塞拆下电线，仔细检查草坪机有无损坏并在重启和操作草坪机前，对损坏进行修理。操作时草坪机过度振动是个危险指示。机器应即使检查和修理。

7-7 集草器

在集草器的顶部有一个单位指示器，显示集草器是空还是满（图 32、图 33）：

- 如果移动中集草器没有满，单位指示器膨胀。（图 33）
- 如果集草器已满，指示器将收缩；出现该情况后，立即停止割草并情况集草器，确保清洁，网罩通风。（图 32）

重要事项

如果指示器孔开口的位置很脏，指示器在该情况下将不会充气，请立即清洁指示器开口的位置。

7-8 甲板

每次使用后草坪机甲板的下面应清洁，防止堆积草屑、树叶、脏污或其他东西。如果允许积聚脏污，将招致生锈和腐蚀，可能影响良好的遮蔽。甲板可通过倾斜草坪机来清洁或用合适的工具刮擦清洁（确保火花塞线断开连接）。

7-9 高度调节指导



注意：没有事先停止发动机并断开火花塞线连接前，任何时候禁止对草坪机进行调节。



注意：改变割草高度前，停止草坪机并断开火花塞线连接。

您的草坪机配有中央高度调节杆，提供 8 档高度调节。

高度（刀片到地面的距离）的调节范围从 25 mm 到 70 mm（8 档高度位置）。（图 34）

最低调节：25 mm（位置 1）；最高调节：70 mm（位置 8）。

1. 改变草坪机切割高度前，停止草坪机并断开火花塞连接。
2. 中央高度调节杆提供 8 种不同高度位置。（图 34）如要改变切割高度，请朝着轮子压调节杆，上下移动至所选高度。

8. 维护指导

火花塞

仅使用原厂替换火花塞。为取得最佳效果，请每使用 100 小时更换火花塞。

刹车片

请定期到维修站检查和 / 或更换发动机刹车片，仅可使用原装部件更换。

9. 润滑指导



注意：维修前断开火花塞连接。

1. 轮子 - 每个季度用轻质机油润滑每个轮子上的滚珠轴承至少一次。
2. 发动机 - 遵循发动机手册的润滑指导。

10. 清洁



注意：请勿用水浇发动机。水可能损坏发动机或污染燃油系统。

1. 用干布擦拭甲板。
2. 倾斜草坪机在甲板下用软管浇水，让火花塞向上。

10-1 发动机空气净化器



注意：请勿让脏污或灰尘堵塞空气过滤器泡沫元件。每 25 小时常规割草后，发动机空气净化器元件必须进行维护（清洁）。如果草坪机用于干燥多尘条件下，泡沫元件必须定期维护。

清洁空气过滤器

1. 取下螺钉。（图 35，用于 PLM4632N 和 PLM5130N）
2. 抬起过滤器盖上的弹片。（PLM4630N2 和 PLM4631N2 的图 36）
3. 拆下过滤器盖子。
4. 用肥皂水冲洗过滤器元件。请勿使用汽油！
5. 干式空气过滤器元件。
6. 滴几滴 SAE30 机油在泡沫元件上，轻轻挤压，除去多余的机油。
7. 重新安装过滤器。
8. 关闭过滤器盖。

注：如果磨损、撕裂、损坏或不能清洁，请更换过滤器。

10-2 刀片



注意：使用刀片前确保火花塞线断开连接并接地，防止发动机意外启动。使用厚手套或用抹布包住刀片以保护双手。按单独发动机手册上所述倾斜草坪机。取下固定刀片和刀架到发动机曲轴上的六角螺栓和垫圈。从曲轴上取下刀片和刀架。



警告：定期检查刀架有无裂纹，特别是您击打到异物后。需要时进行更换。为取得最佳效果，您的刀片应进行打磨。刀片可以重磨。方法：取下刀片，打磨刀片或锤切剖面，尽可能靠近远来的斜面。每个切剖面都应有均等的打磨量，防止刀片不平衡，这是极为重要的。不正确的刀片平衡将导致过度的振动，最终引起发动机或草坪机的损坏。打磨后小心确保刀片平衡。通过将刀片平衡放在圆轴螺丝刀上进行平衡检测。去除重的一面的金属，直至实现平衡。（图 37）将刀片和刀架重新装配到机器上前，用轻质机油润滑发动机曲轴和刀架的内表面。将刀架安装在曲轴上。请参考图 37。放上刀片，让部件号背向刀架。将垫圈与刀片对齐，插入六角螺栓。用下面列出的扭矩拧紧六角螺栓。

10-3 刀片安装扭矩


对中螺栓 40 Nm - 50 Nm，确保机器的操作安全。所有螺母和螺栓必须定期检查以获得正确的拧紧度。长期使用后，尤其在沙壤环境下，刀片容易磨损并失去一些原有形状。切割效率将会降低，应更换刀片。仅使用批准的工厂更换刀片进行更换。制造商不负责刀片不平衡情况下的可能损坏。更换刀片时，必须使用刀片（MAKITA 263001451，用于 PLM4630N2/PLM4631N2/PLM4632N； MAKITA 263002552，用于 PLM5130N）上标记的原始类型（如需订购刀片，请联系您的本地将显示或致电我们公司，参见封面）。

10-4 发动机

请参见单独发动机手册的发动机维护指导。安装机器随配单独发动机手册上的指导维护发动机。请仔细阅读并遵守指导。正常情况下按照单独发动机手册的指导维护空气净化器。极脏情况下每数小时就清洁一次。较差的发动机性能和溢流通常表示空气净化器应进行维护。如要维护空气净化器，请参考机器随配的单发动机手册。每个季节应清洁火花塞并重置间隙。建议在每个割草季节开始时更换火花塞；参考发动机手册上的正确火花塞类型和间隙规格。用布或刷子定期清洁发动机。保持冷却系统（吹风机放置区域）清洁，形成适合的空气循环，这对发动机性能和寿命非常关键。务必除去消音器区域的所有草、脏污和易燃脏污。

11. 存放指导（淡季）

遵守以下步骤进行草坪机存放准备。

1. 该季节最后割草后清空燃油箱。
 - a) 用吸泵清空汽油箱。
2.  **注意：**请勿在密闭房间中、靠近明火处等排空汽油。禁止吸烟！汽油烟气可引起爆炸或火灾。
 - b) 启动发动机，让其运行，直至用完所有剩余汽油并停止。
 - c) 取下火花塞。使用油壶将约 20 ml 机油注入燃烧室。操作启动器并将机油均匀分布在燃烧室中。更换火花塞。
3. 按“润滑指导”上所述仔细清洁并润滑草坪机。
4. 将草坪机存放在干燥、清洁和有防霜冻保护的地方，避免未经授权的人员接触草坪机。



注意：存放草坪机前，必须让发动机完全冷却下来。



注：

- 在不通风的地方或存放材料的库房存放任何类型的动力设备时。
- 请注意设备的防锈。使用轻质油或硅树脂涂覆在设备上，特别是电缆或所有移动部件。
- 请勿弯曲或扭结缆线。
- 如果启动绳从把手上的导绳器上断开连接，断开火花塞线连接并接地，压下刀片控制把手，慢慢将启动绳从发动机拉出。将启动绳滑入把手上的导绳器螺栓中。

运输

关闭发动机并让发动机冷却。然后根据发动机手册的指导断开火花塞电线并排空燃油箱。当推动草坪机过障碍物时，确保不要弄弯或损坏切刀。

12.故障排除

问题	可能原因	纠正措施
发动机不启动。	油门杆没有在当时条件下的正确位置上。	移动油门杆至正确位置。
	燃油箱空。	将燃油注入燃油箱：请参考“发动机业主手册”。
	空气净化器元件脏污。	清洁空气净化器元件：请参考“发动机业主手册”。
	火花塞松散。	用 25-30 Nm 的力拧紧火花塞。
	火花塞松散或从插头断开连接。	将火花塞线安装在火花塞上。
	火花塞间隙不正确。	设置电极间的间隙为 0.7 至 0.8 mm。
	火花塞缺陷。	安装新的间隙正确的火花塞：请参考“发动机业主手册”。
	化油器充满燃油。	取出空气净化器元件并连续拉起动绳，直到化油器完成自身清洁，安装空气净化器元件。
发动机难以启动或失去动力。	脏污、水或陈旧的燃油箱。	排空燃油并清洁燃油箱。将清洁的新鲜燃油注入燃油箱。
	燃油箱盖上的通气孔堵塞。	清洁或更换燃油箱盖。
	空气净化器元件脏污。	清洁空气净化器元件。
发动机工作不稳定。	火花塞有缺陷。	安装新的、正确间隙的火花塞：请参考“发动机业主手册”。
	火花塞间隙不正确。	设置电极间的间隙为 0.7 至 0.8 mm。
	空气净化器元件脏污。	清洁空气净化器元件：请参考“发动机业主手册”。
发动机空转差。	空气净化器元件脏污。	清洁空气净化器元件：请参考“发动机业主手册”。
	发动机挡板的气槽堵塞。	清除槽上的脏污。
	发动机风机壳体下的散热片和气道堵塞。	清除散热片和气道上的脏污。
发动机高速跳档。	火花塞电极间的间隙太靠近。	设置电极间的间隙为 0.7 至 0.8 mm。
发动机过热。	冷却气流受限。	清除挡板槽、风机壳体、气道上的任何脏污。
	火花塞不正确。	将原装火花塞和散热片安装在发动机上。
草坪机异常振动。	切割总成松散。	拧紧刀片。
	切割总成不平衡。	平衡刀片。

13.环境

如果您的机器延期使用后需要更换时，请勿将其放入家庭废物中处置，而应以环保的方式进行处置。

Penjelasan tampilan keseluruhan

- | | | |
|------------------------------------|-----------------------------|--------------------------|
| 1. Gagang pengendali rem | 12. Flap samping | 23. Cincin |
| 2. Gagang atas | 13. Dek | 24. Kenop pengunci |
| 3. Gagang pengendali laju-otomatis | 14. Busi | 25. Mur pengunci |
| 4. Tuas cuk | 15. Tutup oli | 26. Gir penyetel sudut |
| 5. Gagang starter | 16. Tutup bahan bakar | 27. Tombol |
| 6. Pemandu tali | 17. Klem kabel | 28. Tutup oli/dipstik |
| 7. Tuas pengunci | 18. Cincin pemasangan kabel | 29. Maks: batas atas |
| 8. Gagang bawah | 19. Tuas penyetel kecepatan | 30. Min: batas bawah |
| 9. Penangkap rumput | 20. Baji pemulsaan | 31. Sekrup |
| 10. Tuas penyetelan ketinggian | 21. Indikator ketinggian | 32. Tab |
| 11. Saluran pengeluaran samping | 22. Baut | 33. Mekanisme penguncian |

**PERINGATAN:**

Demi keselamatan Anda sendiri, bacalah petunjuk ini sebelum mencoba mengoperasikan unit baru Anda. Kelalaian untuk mengikuti petunjuk ini dapat mengakibatkan cedera serius. Luangkan beberapa saat untuk memahami pengoperasian mesin pemotong rumput setiap kali sebelum menggunakannya. Simpanlah petunjuk ini di tempat yang aman agar informasi tersedia setiap saat. Jika Anda memberikan mesin ini kepada orang lain, serahkan juga petunjuk pengoperasian dan peraturan keselamatan ini.

Tujuan penggunaan

Mesin ini hanya dapat digunakan untuk sejumlah tugas yang dapat ditangani mesin sesuai dengan rancangannya. Penggunaan lainnya akan dianggap sebagai penyalahgunaan. Pengguna/operator, kecuali produsen, akan bertanggung jawab atas kerusakan atau cedera yang disebabkan penyalahgunaan tersebut.

Mesin pemotong rumput berbahan bakar bensin ini ditujukan untuk penggunaan pribadi, yaitu untuk digunakan di lingkungan rumah dan taman.

Penggunaan pribadi atas mesin pemotong rumput mengacu pada waktu pengoperasian tahunan yang umumnya tidak melampaui 50 jam saat mesin terutama digunakan untuk merawat halaman rumput berskala kecil di lingkungan tempat tinggal dan taman di rumah/ untuk aktivitas hobi. Penggunaan yang dikecualikan adalah aplikasi untuk fasilitas umum, lapangan olahraga, dan pertanian/kehutanan.

Perlu diketahui bahwa mesin kami tidak dirancang untuk digunakan dalam aplikasi komersial, perdagangan, atau industri. Jaminan kami akan dibatalkan jika mesin ini digunakan dalam bisnis komersial, perdagangan, atau industri atau untuk tujuan yang setara.

Petunjuk pengoperasian yang diberikan oleh produsen harus disimpan dan dibaca untuk memastikan mesin pemotong rumput digunakan dan dipelihara dengan benar. Petunjuk tersebut berisi informasi bermanfaat tentang kondisi pengoperasian, pemeliharaan, dan servis.

Penting! Karena tingginya risiko cedera bagi pengguna, mesin pemotong rumput tidak boleh digunakan untuk memangkas semak, tanaman pagar, atau tanaman perdu, untuk memotong vegetasi sesuai skala tertentu, tanaman atap, atau rumput balkon, untuk membersihkan (mengisap) tanah dan serpihan dari jalur pejalan kaki, atau untuk menebang pohon maupun menggantung daun tanaman pagar. Selain itu, mesin pemotong rumput tidak boleh digunakan sebagai mesin pengolah tanah untuk meratakan area tinggi seperti gundukan tanah. Untuk alasan keamanan, mesin pemotong rumput tidak boleh digunakan sebagai unit penggerak untuk alat kerja atau rangkaian alat lainnya dari jenis apa pun.

1. SIMBOL YANG TERTERA PADA PRODUK (pada penutup belakang)

Baca petunjuk penggunaan.



Jauhkan orang yang tak berkepentingan.



Perhatikan dengan baik tangan dan kaki Anda untuk menghindari cedera.



Bahan bakar sangat mudah terbakar, karena itu jauhkanlah dari api. Jangan menambahkan bahan bakar sewaktu mesin masih berjalan.



Asap beracun; jangan operasikan di dalam rumah.



Ketika memotong rumput, kenakan kaca mata dan sumbat telinga untuk menjaga diri operator.



Ketika memperbaiki mesin, lepas kabel busi, kemudian perbaiki sesuai dengan buku petunjuk penggunaan.



Perhatian: Mesin panas.

2. KAJIDAH KESELAMATAN UMUM



PERINGATAN: Ketika menggunakan mesin bensin, tindakan pencegahan dasar, termasuk yang berikut ini, harus selalu dipatuhi untuk mengurangi risiko cedera badan dan/atau kerusakan pada unit. Bacalah semua petunjuk berikut ini sebelum menggunakan produk ini dan simpanlah petunjuk ini untuk acuan di masa mendatang.



PERINGATAN: Mesin ini menghasilkan medan elektromagnet saat digunakan. Medan ini dalam keadaan tertentu dapat mengganggu implan medis aktif atau pasif. Untuk mengurangi risiko cedera serius atau fatal, kami menganjurkan agar orang yang menggunakan implan medis untuk berkonsultasi dengan dokter mereka dan perusahaan pembuat implan medis tersebut sebelum mengoperasikan mesin ini.

Pelatihan

- Baca petunjuk dengan cermat. Pahami pengendalian dan penggunaan mesin yang tepat. Pelajari cara menghentikan mesin dengan cepat.
- Hanya gunakan mesin pemotong rumput untuk tujuan rancangannya, yaitu untuk memotong dan mengumpulkan rumput. Penggunaan lainnya dapat berbahaya, serta menyebabkan kerusakan pada mesin. Contoh penggunaan yang tidak tepat dapat mencakup, namun tidak terbatas pada:
 - mengangkut orang, anak-anak, atau hewan pada mesin;
 - diangkut dengan mesin;
 - menggunakan mesin untuk menarik atau mendorong beban;
 - menggunakan mesin untuk mengumpulkan daun atau serpihan;
 - menggunakan mesin untuk memangkas tanaman pagar, atau untuk memotong tanaman selain rumput;
 - penggunaan mesin oleh lebih dari satu orang;
 - menggunakan bilah pada permukaan selain rumput.
- Jangan biarkan anak-anak atau orang yang tidak memahami petunjuk ini menggunakan mesin pemotong rumput. Peraturan setempat dapat membatasi usia operator.
- Jangan gunakan mesin pemotong rumput:
 - bila berada di dekat orang, terutama anak-anak, atau hewan peliharaan;
 - jika operator telah mengonsumsi obat atau zat yang dapat memengaruhi kemampuannya untuk bereaksi dan berkonsentrasi.
- Perlu diingat bahwa operator atau pengguna bertanggung jawab atas kecelakaan atau bahaya yang terjadi pada orang lain atau kerugian pada properti mereka.
- Operator harus menerima pelatihan yang benar dalam menggunakan, menyesuaikan, dan mengoperasikan mesin, termasuk pengoperasian yang dilarang.

Persiapan

- Selama memotong rumput, selalu kenakan alas kaki yang kuat dan celana panjang. Jangan mengoperasikan alat dengan kaki telanjang atau mengenakan sandal terbuka.
- Periksa area penggunaan mesin secara menyeluruh dan singkirkan semua benda, seperti batu, mainan, batang, dan kabel, yang dapat terlontar oleh mesin.

- PERINGATAN-** Bensin sangat mudah terbakar.
 - simpan bahan bakar dalam wadah yang secara khusus dirancang untuk tujuan demikian;
 - isikan bahan bakar hanya di luar ruangan dan jangan merokok waktu mengisi bahan bakar.
 - tambahkan bahan bakar sebelum menghidupkan mesin. Jangan melepas tutup tangki bahan bakar atau menambahkan bensin saat mesin hidup atau saat mesin masih panas;
 - jika bensin sampai tumpah, jangan mencoba menghidupkan mesin tetapi jauhkan mesin dari tempat tumpahan dan hindari membuat sumber api sampai uap bensin hilang;
 - pasang kembali semua tutup tangki bahan bakar dan wadah dengan kencang.
- Ganti peredam yang rusak.
- Sebelum menggunakan, selalu periksa secara visual untuk memastikan bahwa bilah, baut bilah, dan rangkaian pemotong tidak aus atau rusak. Ganti bilah dan baut yang aus atau rusak satu set sekaligus untuk menjaga keseimbangan.
- Periksa secara teratur untuk memastikan bahwa semua interlock starter dan pengendali kehadiran operator berfungsi dengan benar.

Pengoperasian

- Jangan menjalankan mesin di ruang terbatas di mana asap karbon monoksida yang berbahaya dapat terkumpul.
- Jangan gunakan mesin saat sedang lelah, sakit, atau di bawah pengaruh alkohol atau obat-obatan lainnya.
- Peringatan! Jangan gunakan mesin pemotong rumput bila terdapat risiko sambaran petir.
- Sebaiknya batasi durasi pengoperasian untuk meminimalkan risiko dari kebingungan dan getaran.
- Hati-hati saat menggunakan mesin pemotong rumput di lereng landai dan di dekat lereng curam, parit, atau tanggul.
- Potonglah rumput hanya pada siang hari atau di bawah cahaya buatan yang terang.
- Hindari mengoperasikan mesin ini pada rumput basah, bila mungkin.
- Selalu pastikan keamanan pijakan Anda di atas permukaan yang miring.
- Berjalanlah, jangan berlari.
- Untuk mesin rotari beroda, potonglah rumput pada arah melintang di permukaan tanah yang miring, jangan pernah naik-turun.
- Ekstra hati-hatilah saat mengubah arah pada permukaan yang miring.
- Jangan memotong rumput terlalu banyak pada lereng yang curam.
- Berikan perhatian ekstra saat membalik atau menarik mesin pemotong rumput ke arah Anda.
- Hentikan bilah jika mesin pemotong rumput harus dimiringkan untuk pengangkutan saat menyeberangi permukaan selain rumput, dan saat mengangkat mesin pemotong rumput ke dan dari tempat yang akan dipotong rumputnya.
- Jangan sekali-kali mengoperasikan mesin pemotong rumput dengan pelindung yang rusak, atau tanpa peranti keamanan, misalnya deflektor dan/atau penangkap rumput, yang terpasang.
- Perhatian: Mesin pemotong rumput tidak boleh dioperasikan tanpa dipasang dengan seluruh penangkap rumput atau pelindung bukaan pelepasan yang menutup sendiri.
- Jangan mengubah setelan governor mesin atau menaikkan kecepatan mesin terlalu tinggi.

- Jangan mengubah atau mengutak-atik penyesuaian pengendali kecepatan mesin yang disegel.
- Sistem atau fitur keamanan mesin pemotong rumput tidak boleh diutak-atik atau dinonaktifkan.
- Lepaskan semua bilah dan kopling penggerak sebelum menghidupkan mesin.
- Hidupkan mesin dengan hati-hati sesuai dengan petunjuk dan dengan kaki jauh dari bilahnya.
- Jangan memiringkan mesin pemotong rumput saat menghidupkan mesinnya.
- Jangan menghidupkan mesin sambil berdiri di depan saluran pengeluaran.
- Jangan meletakkan tangan atau kaki di dekat atau di bawah komponen yang berputar. Jaga lubang pengeluaran selalu bersih dan bebas penghalang.
- Jangan sekali-kali mengangkat atau membawa mesin pemotong rumput saat mesinnya hidup.
- Matikan mesin dan cabut kabel businya, pastikan semua komponen yang bergerak sudah benar-benar berhenti dan bila kuncinya masih terpasang, lepaskan:
 - sebelum membersihkan penghalang atau saluran yang tersumbat;
 - sebelum memeriksa, membersihkan, atau mengerjakan sesuatu pada mesin pemotong rumput;
 - setelah menghantam benda asing. Periksa mesin pemotong rumput dari kerusakan dan perbaiki sebelum menghidupkan dan mengoperasikannya kembali;
 - jika mesin pemotong rumput mulai bergetar tidak normal (segera cek).
- Matikan mesin dan cabut kabel businya, pastikan semua komponen yang bergerak sudah benar-benar berhenti dan bila kuncinya masih terpasang, lepaskan:
 - setiap kali Anda meninggalkan mesin pemotong rumput;
 - sebelum mengisi bahan bakar.
- Kurangi setelah gas selama mesin dimatikan dan, jika mesin dilengkapi dengan katup pematian, matikan bahan bakar pada akhir pemotongan rumput.
- Gunakan mesin pemotong rumput hanya untuk tujuan yang ditentukan, yakni memotong dan mengumpulkan rumput. Penggunaan lainnya dapat menimbulkan bahaya, sehingga mengakibatkan kerusakan pada mesin.
- Biarkan mesin menjadi dingin sebelum disimpan dalam tempat tertutup. Bersihkan dan pelihara mesin pemotong rumput sebelum disimpan.
- Untuk mengurangi bahaya kebakaran, jaga mesin, peredam, ruang baterai, dan tempat penyimpanan bensin selalu bersih dari rumput, daun, atau gemuk yang berlebihan.
- Periksa sering-sering penangkap rumput dari keausan atau pelapukan.
- Gantilah komponen yang aus atau rusak demi keselamatan.
- Jika tangki bahan bakar harus dikosongkan, ini sebaiknya dilakukan di luar ruangan.
- Pemeliharaan yang salah, penggunaan komponen pengganti yang tidak sesuai, atau pelepasan maupun perubahan terhadap komponen pengaman dapat merusak mesin pemotong rumput dan menimbulkan cedera serius pada operator.
- Gunakan hanya bilah dan komponen pengganti yang disarankan oleh produsen. Penggunaan komponen yang tidak asli dapat merusak mesin dan mencederai operator. Simpan mesin pemotong rumput dalam kondisi kerja yang baik.
- Jika perangkat penghenti bilah tidak berfungsi, hubungi pusat servis untuk memperoleh bantuan.

Pengangkutan dan penanganan

- Setiap kali mesin akan dipegang, diangkat, diangkut, atau dimiringkan, Anda harus:
 - mengenakan sarung tangan kerja yang kuat;
 - memegang mesin pada sejumlah titik yang memberikan genggaman yang aman dengan memperhatikan bobot dan pembagian bobot;
 - menggunakan jumlah orang yang sesuai dengan bobot mesin dan karakteristik kendaraan atau tempat penyimpanan maupun pengambilan mesin.
- Selama proses pengangkutan, kencangkan mesin dengan benar menggunakan tali atau rantai.



PERINGATAN: Jangan menyentuh bilah yang berputar.



PERINGATAN: Isikan bahan bakar di tempat yang berventilasi baik dengan mesin dimatikan.

Perawatan dan penyimpanan

- Jaga semua mur, baut, dan sekrup selalu kencang untuk memastikan bahwa alat berada dalam kondisi kerja yang aman.
- Jangan menyimpan peralatan dengan tangki yang terisi bensin di dalam bangunan yang memungkinkan uapnya menjangkau nyala api atau percikan api.

4. DATA TEKNIS

Model	PLM4630N2	PLM4631N2	PLM4632N	PLM5130N
Tipe mesin	Seri B&S 675EXi, ReadyStart	Seri B&S 675EXi, ReadyStart	Seri B&S 750EX, ReadyStart	Seri B&S 750EX, ReadyStart
Berpendorong otomatis	Tidak	Ya	Ya	Ya
Volume langkah mesin	163 cm ³	163 cm ³	161 cm ³	161 cm ³
Daya Nominal	2,6 kW	2,6 kW	2,5 kW	2,5 kW
Lebar bilah	460 mm	460 mm	460 mm	510 mm
Kecepatan nominal	2.800/men	2.800/men	2.800/men	2.800/men
Kapasitas tangki bahan bakar	1,0 L	1,0 L	1,0 L	1,0 L
Kapasitas tangki oli	0,47 L	0,47 L	0,6 L	0,6 L
Kapasitas penangkap rumput	60 L	60 L	60 L	65 L
Berat bersih	30 kg	32,5 kg	35 kg	38 kg
Penyetelan ketinggian	25 – 70 mm, 8 penyetelan	25 – 70 mm, 8 penyetelan	25 – 70 mm, 8 penyetelan	25 – 70 mm, 8 penyetelan

3. DESKRIPSI KOMPONEN (Gb. 1, Gb. 2, Gb. 3, Gb. 4)

Termasuk
A: Kunci busi

5. PERAKITAN

5-1 MEMASANG GAGANG LIPAT

1. Pasang setang bawah pada siku gagang dengan baut, cincin, dan kenop pengunci. (Gb. 5)
2. Angkat kedua tuas pengunci untuk menghubungkan gagang atas dan bawah. (Gb. 6)
3. Tekan tuas pengunci menutup untuk mengunci batang gagang dalam posisi pengoperasian. (Gb. 7)
4. Setel tegangannya dengan memutar mur pengunci dengan kunci pas yang sesuai. (Gb. 8)
5. Posisikan kabel di atas tangkai gagang. Klemkan pada bagian tengah gagang bawah dengan klem kabel dan pastikan bahwa kabel ini terpasang kuat di sekitar bagian luar gagang. (Gb. 9, Gb. 10) Jika tidak, kabel dapat terjepit ketika penutup belakang dibuka/ditutup.

5-2 PENYETELAN UNTUK SUDUT YANG SESUAI

- 1) Tarik tuas pengunci membuka.
- 2) Putar gagang atas dengan sumbu pada gir penyetal sudut untuk menyetel ke sudut yang sesuai pada kisaran -15° sampai 15° (3 posisi: -15°/0°/15°) seperti terlihat dalam Gb. 11.
- 3) Tekan tuas pengunci menutup untuk menghubungkan gagang bawah dan gagang atas.

5-3 MEMASANG DAN MELEPAS PENANGKAP RUMPUT

1. Untuk memasang: Naikkan tutup belakang dan tumpangkan penangkap rumput pada bagian belakang pemotong rumput. (Gb. 12, Gb. 13, Gb. 14)
2. Untuk melepas: Genggam dan angkat penutup belakang, lepaskan penangkap rumput.

5-4 GAGANG STARTER

Pindahkan gagang starter dari mesin ke pemandu tali. (Gb. 15)

5-5 KETINGGIAN PEMOTONGAN

Berikan tekanan keluar untuk melepas tuas dari rak. Gerakkan tuas maju atau mundur untuk menyetel ketinggian. (Gb. 16 dan baca klausa 7-9)

6. FUNGSI

Mesin pemotong rumput ini dapat dipasang perlengkapan di luar fungsi normalnya, tergantung pada tujuan aplikasinya. Dari mesin pemotong rumput dengan pengumpul belakang menjadi:

1. Pemotong rumput pemulsaan atau sebagai
2. Pemotong rumput pengeluaran ke samping.

Apa itu pemulsaan?

Saat melakukan pemulsaan, rumput dipotong dalam satu langkah kerja, kemudian dirajang-rajang halus dan dikembalikan ke permukaan rumput sebagai pupuk alami. Petunjuk untuk pemotongan rumput pemulsaan:

- Pemotongan rumput biasa sebanyak maks. 2 cm dari ketinggian rumput 6 cm menjadi 4 cm.
- Gunakan pisau pemotong yang tajam.
- Jangan memotong rumput basah.
- Atur kecepatan mesin maksimum.
- Gerakkan hanya pada kecepatan kerja.
- Secara teratur bersihkan baji pemulsaan, sisi dalam rumah mesin, dan bilah pemotong rumput.

Memulai Pengoperasian

6-1 Pemasangan perlengkapan untuk pemotong rumput pemulsaan



PERINGATAN: Hanya saat mesin mati dan pemotong dalam posisi diam.

1. Naikkan tutup belakang dan lepaskan penangkap rumput.
2. Tekan baji pemulsaan ke dalam dek. Kunci baji pemulsaan dengan tombol ke dalam lubang pada dek. (Gb. 17, Gb. 18)
3. Turunkan kembali tutup belakang. (Gb. 19)
4. Angkat flap samping dan lepaskan saluran pengeluaran samping.

6-2 Menyetel ulang untuk pemotongan rumput dengan pengeluaran ke samping



Hanya ketika motor dan alat pemotong diam tidak bergerak!

1. Angkat tutup belakang dan lepaskan penangkap rumput.
2. Pasang baji pemulsaan.
3. Buka mekanisme penguncian. (Gb. 20A)
4. Angkat flap samping untuk pengeluaran ke samping. (Gb. 20B)
5. Pasang saluran pengeluaran samping untuk pengeluaran ke samping pada pasak penopang flap samping. (Gb. 21)
6. Turunkan flap samping- flap terletak di atas saluran pengeluaran samping. (Gb. 22)

6-3 Memotong rumput dengan penangkap rumput



PERINGATAN: Hanya dengan mesin dimatikan dan alat pemotong diam tak bergerak.

Untuk memotong rumput dengan penangkap rumput, lepaskan baji pemulsaan dan saluran pengeluaran untuk pengeluaran ke samping dan pasang penangkap rumput.

1. Lepaskan baji pemulsaan.
 - Angkat tutup belakang dan lepaskan baji pemulsaan.
2. Melepas saluran pengeluaran samping untuk pengeluaran ke samping.
 - Angkat flap samping dan lepaskan saluran pengeluaran samping.
 - Flap samping secara otomatis menutup lubang pengeluaran pada rumah mesin dengan kekuatan pegas.
 - Secara teratur bersihkan flap samping dan lubang pengeluaran dari rumput yang menempel dan kotoran yang macet.
3. Pasang penangkap rumput.
 - Untuk memasang: Naikkan tutup belakang dan tumpangkan penangkap rumput pada bagian belakang pemotong rumput.
 - Untuk melepas: Genggam dan angkat tutup belakang, lepaskan penangkap rumput.

7. PETUNJUK PENGGUNAAN

7-1 SEBELUM MEMULAI

Servis mesin dengan bensin dan oli seperti yang ditunjukkan dalam buku petunjuk mesin terpisah yang dikemas bersama mesin pemotong rumput Anda. Bacalah petunjuk ini dengan saksama. (Gb. 23, Gb. 24, Gb. 25, Gb. 26)

**PERINGATAN:** Bensin sangat mudah terbakar.

Simpan bahan bakar dalam wadah yang secara khusus dirancang untuk tujuan tersebut.
Isikan bahan bakar hanya di luar ruangan, sebelum menghidupkan mesin dan jangan merokok sewaktu mengisi bahan bakar atau menangani bahan bakar.
Jangan sekali-kali melepas tutup tangki bahan bakar atau menambahkan bensin ketika mesin hidup atau mesin masih panas.
Jika bensin sampai tumpah, jangan mencoba menghidupkan mesin tetapi jauhkan mesin dari tempat tumpahan dan hindari membuat sumber api sampai uap bensin hilang.
Pasang kembali semua tutup tangki bahan bakar dan wadah dengan kuat.
Sebelum memiringkan mesin pemotong rumput untuk merawat bilah atau mengeluarkan oli, kosongkan bahan bakar dari tangki.



PERINGATAN: Jangan sekali-kali mengisi tangki bahan bakar di dalam ruangan, dengan mesin berjalan, atau sebelum mesin didinginkan paling tidak selama 15 menit setelah dimatikan.

7-2 UNTUK MENGHIDUPKAN MESIN DAN MENGHUBUNGKAN BILAH

1. Unit ini dilengkapi dengan bot karet di atas ujung businya; pastikan bundaran logam pada ujung kabel busi (di dalam bot karet) dikencangkan kuat di atas ujung logam pada busi.
2. Saat menghidupkan mesin dingin atau panas, putar tuas cuk gas ke salah satu posisi antara “☁” dan “☁”. Saat mengoperasikan mesin, putar tuas cuk gas ke posisi “☁”. **(Gb. 27)**
3. Dengan berdiri di belakang unit, genggam gagang pengendali rem dan tahan menempel pada gagang atas seperti terlihat dalam **Gb. 28**.
4. Genggam gagang starter seperti pada **Gb. 28** dan tarik ke atas dengan cepat. Kembalikan dengan perlahan ke baut pemandu tali setelah mesin hidup. Lepaskan gagang pengendali rem untuk menghentikan mesin dan bilah.



Starter mesin dengan hati-hati sesuai dengan petunjuk dan dengan kaki jauh dari bilahnya.



Jangan memiringkan mesin pemotong rumput saat menstarter mesinnya. Starter mesin pemotong rumput pada permukaan yang datar, bebas dari rumput tinggi atau hambatan.



Jauhkan tangan dan kaki dari komponen yang berputar. Jangan menstarter mesin saat berdiri di depan lubang pengeluaran.

7-3 PROSEDUR PENGOPERASIAN

Selama mengoperasikan, pegang kuat-kuat gagang rem dengan kedua tangan.



CATATAN: Selama mengoperasikan, ketika gagang rem dilepaskan, mesin akan berhenti, sehingga menghentikan pengoperasian mesin pemotong rumput.



PERINGATAN: Untuk menghindari pengaktifan mesin pemotong rumput tanpa disengaja, mesin ini dilengkapi dengan rem mesin yang harus ditarik ke belakang sebelum mesin dapat dihidupkan. Bila tuas pengendali mesin dilepaskan, tuas ini harus kembali ke posisi awalnya, lalu mesin akan mati secara otomatis.



CATATAN: Rem mesin (gagang rem): Gunakan tuas untuk menghentikan mesin. Saat Anda melepaskan tuas, mesin dan bilah akan berhenti secara otomatis. Untuk memotong, tahan tuas pada posisi kerja. Sebelum Anda mulai memotong, periksa tuas mulai/berhenti beberapa kali untuk memastikan tuas berfungsi dengan benar. Pastikan kabel penegang dapat dioperasikan dengan lancar (yakni tidak tersangkut atau tertekuk dalam cara apa pun).

7-4 UNTUK MENGHENTIKAN MESIN

PERHATIAN: Bilah akan terus berputar selama beberapa detik setelah mesin dimatikan.

1. Lepaskan gagang pengendali rem untuk menghentikan mesin dan bilah. **(Gb. 29)**
2. Lepaskan dan ardekan kabel busi seperti yang ditunjukkan dalam buku petunjuk mesin yang terpisah untuk mencegah mesin terhidupkan secara tidak sengaja waktu peralatan ini tidak ditunggu.

7-5 SAMBANGAN UNTUK PENGERAKAN OTOMATIS**Untuk PLM4631N2**

Genggam gagang pengendali laju-otomatis, maka mesin pemotong rumput akan bergerak maju secara otomatis dengan kecepatan sekitar 3,6 km/jam **(Gb. 30)**, lepaskan gagang laju-otomatis, maka mesin pemotong rumput akan berhenti bergerak.

Untuk PLM4632N, PLM5130N

Mesin pemotong rumput ini dilengkapi dengan sistem pengatur kecepatan yang dapat mengatur 3 kecepatan dari 3,0 km/jam sampai 4,5 km/jam. Posisi “☁”: posisi terlambat; Posisi “☁”: posisi tercepat. **(Gb. 31)**

Langkahnya adalah di bawah ini:

1. Lepaskan gagang pengendali laju-otomatis sampai mesin pemotong rumput tidak bergerak maju.
2. Atur kecepatan yang sesuai dengan keinginan Anda. **(Gb. 31)**
3. Genggam gagang pengendali laju-otomatis untuk melanjutkan pemotongan rumput. **(Gb. 30)**



PERHATIAN: Pemotong rumput Anda dirancang untuk memotong rumput normal di halaman rumah dengan ketinggian tidak lebih dari 250 mm. Jangan mencoba memotong rumput kering atau basah yang tingginya tidak umum (mis. rumput di padang penggembalaan) atau timbunan daun kering. Kotoran dapat terkumpul pada dek mesin pemotong rumput atau menyentuh knalpot mesin sehingga bisa menimbulkan bahaya kebakaran.

7-6 UNTUK HASIL TERBAIK SAAT MEMOTONG RUMPUT

Bersihkan halaman rumput dari kotoran. Pastikan bahwa halaman rumput bersih dari batu, kayu, kawat, atau benda asing lainnya yang dapat terlempar secara tidak sengaja oleh pemotong rumput ke segala arah dan menyebabkan cedera diri serius pada operator dan orang lain dan juga merusak harga benda dan benda-benda di sekitarnya. Jangan memotong rumput basah. Untuk pemotongan rumput yang efektif, jangan memotong rumput basah karena rumput basah cenderung akan menempel pada bagian bawah dek sehingga menghambat pemotongan yang benar atas cacahan rumput. Potong tidak lebih dari 1/3 panjang rumput. Pemotongan yang disarankan untuk pemotongan rumput adalah 1/3 panjang rumput. Kecepatan tanah perlu disesuaikan sehingga cacahan dapat disebar merata ke halaman rumput. Untuk pemotongan yang sangat berat pada rumput tebal, mungkin perlu digunakan kecepatan yang terendah untuk mendapatkan pemotongan yang rapi dan bersih. Saat memotong rumput panjang, Anda harus memotong rumput dalam dua kali pengerjaan, dengan menurunkan kembali bilah sebanyak 1/3 panjang untuk pemotongan kedua dan mungkin memotong dalam pola yang berbeda dengan yang digunakan pada pemotongan pertama. Menumpang-tindih pemotongan sedikit pada setiap pelintasan mesin juga akan membantu membersihkan cacahan yang tertinggal pada halaman rumput. Pemotong rumput harus selalu dioperasikan pada gas penuh untuk mendapatkan hasil pemotongan yang terbaik dan memungkinkannya melakukan pemotongan dengan cara yang paling efektif. Bersihkan bagian bawah dek. Pastikan untuk membersihkan bagian bawah dek pemotongan setiap kali setelah menggunakan mesin untuk menghindari penumpukan rumput, yang akan menghambat pemulsaan yang benar. Memotong dedaunan. Pemotongan dedaunan juga dapat bermanfaat bagi halaman rumput Anda. Saat memotong dedaunan, pastikan daun-daun tersebut kering dan tidak menumpuk terlalu tebal pada halaman rumput. Jangan menunggu sampai seluruh daun rontok dari pohon sebelum Anda memotong.



PERINGATAN: Jika Anda menghantam benda asing, hentikan mesin. Cabut kabel dari busi, secara menyeluruh periksa pemotong rumput dari kerusakan dan perbaiki kerusakan tersebut sebelum menghidupkan dan mengoperasikan kembali pemotong rumput itu. Getaran yang berlebihan dari pemotong rumput selama pengoperasian adalah indikasi adanya kerusakan. Unit sebaiknya segera diperiksa dan diperbaiki.

7-7 PENANGKAP RUMPUT

Pada bagian atas penangkap rumput terdapat indikator ketinggian yang memperlihatkan apakah penangkap rumput itu kosong atau penuh (**Gb. 32, Gb. 33**):

- Indikator ketinggian menggembung jika penangkap tidak penuh selama pemotongan rumput. (**Gb. 33**)
- Jika penangkap penuh, indikator mengempis, saat ini terjadi, hentikan pemotongan rumput segera dan kosongkan penangkap, pastikan penangkap bersih dan pastikan jaringnya tidak tertutup. (**Gb. 32**)

PENTING

Jika posisi lubang indikator sangat kotor, indikator tidak akan menggembung-jika ini terjadi, segera bersihkan posisi lubang indikator.

7-8 DEK

Bagian bawah dek pemotong rumput sebaiknya dibersihkan setiap kali setelah digunakan untuk mencegah tumpukan cacahan rumput, daun, kotoran, atau benda-benda lainnya. Jika dibiarkan terakumulasi,

cacahan ini akan mengundang karat dan korosi, dan dapat menghambat pemulsaan yang benar. Dek dapat dibersihkan dengan memiringkan mesin pemotong rumput dan mengeroknya bersih dengan alat yang sesuai (pastikan kabel busi sudah dilepas).

7-9 PETUNJUK PENYETELAN KETINGGIAN



PERHATIAN: Jangan sekali-kali melakukan penyetulan pada mesin pemotong rumput tanpa terlebih dahulu mematikan mesinnya dan mencabut kabel businya.



PERHATIAN: Sebelum mengubah ketinggian pemotongan rumput, hentikan pemotong rumput dan cabut kabel businya.

Pemotong rumput Anda dilengkapi dengan tuas penyétel ketinggian sentral yang menyediakan 8 posisi ketinggian.

Ketinggian (bilah ke tanah) dapat disetel dari 25 mm sampai 70 mm (8 posisi ketinggian). (**Gb. 34**)
Penyetelan terendah: 25 mm (posisi 1), penyetelan tertinggi: 70 mm (posisi 8).

1. Hentikan pemotong rumput dan lepaskan kabel busi sebelum mengubah ketinggian pemotongan mesin pemotong rumput.
2. Tuas penyétel ketinggian sentral menyediakan 8 posisi ketinggian yang berbeda. (**Gb. 34**)

Untuk mengubah ketinggian pemotongan, pencet tuas penyétel ke arah roda, gerakkan ke atas atau ke bawah ke ketinggian yang dipilih.

8. PETUNJUK PEMELIHARAAN

BUSI

Gunakan hanya busi pengganti asli. Untuk hasil terbaik, gantilah busi setiap 100 jam penggunaan.

KAMPAS REM

Periksa dan/atau ganti kampas rem mesin di agen servis secara rutin. Hanya komponen asli dapat digunakan sebagai pengganti.

9. PETUNJUK PELUMASAN



PERHATIAN: LEPASKAN BUSI SEBELUM MENYERVIS.

1. RODA-Lumasi bantalan bola (gotri) pada setiap roda sedikitnya sekali setiap musim dengan oli encer.
2. MESIN-Ikuti buku petunjuk mesin untuk petunjuk pelumasan.

10. PEMBERSIHAN



PERHATIAN: Jangan menyemprot mesin dengan air. Air dapat merusak mesin atau mencemari sistem bahan bakar.

1. Lap dek dengan kain kering.
2. Semprot bagian bawah dek dengan memiringkan pemotong rumput sehingga businya berada di atas.

10-1 PEMBERSIH UDARA MESIN



PERHATIAN: Jangan biarkan kotoran atau debu menyumbat elemen busa filter udara. Elemen pembersih udara mesin harus diservis (dibersihkan) setelah 25 jam digunakan untuk pemotongan rumput normal. Elemen busa harus diservis secara teratur jika mesin pemotong rumput digunakan dalam kondisi kering berdebu.

Untuk MEMBERSIHKAN FILTER UDARA

1. Lepaskan sekrup. (**Gb. 35** untuk PLM4632N dan PLM5130N)
2. Angkat tab pada penutup filter. (**Gb. 36** untuk PLM4630N2 dan PLM4631N2)
3. Lepaskan tutup filternya.
4. Cuci elemen filter dalam air sabun. **JANGAN GUNAKAN BENSIN!**
5. Elemen filter kering udara.
6. Berikan beberapa tetes oli SAE30 pada filter busa dan peras kuat-kuat untuk menghilangkan kelebihan oli.
7. Pasang kembali filter.
8. Pasang penutup filter.

CATATAN: Ganti filter jika terkoyak, terpuntir, rusak, atau tidak dapat dibersihkan.

10-2 BILAH PEMOTONG



PERHATIAN: Pastikan untuk melepas dan mengardakan kabel busi sebelum mengerjakan apa pun pada bilah pemotong untuk mencegah terhidupkannya mesin secara tidak sengaja. Lindungi tangan dengan mengenakan sarung tangan tebal atau lap untuk memegang bilah pemotong. Miringkan pemotong rumput seperti yang disebutkan dalam buku petunjuk mesin yang terpisah. Lepaskan baut hex dan cincin yang menahan bilah dan adapter bilah ke poros engkol mesin. Lepaskan bilah dan adapter dari poros engkol.



PERINGATAN: Secara berkala periksa adapter bilah dari retakan, terutama jika pemotong rumput telah menghantam benda asing. Ganti bila perlu.

Untuk hasil terbaik, bilah pemotong rumput harus tajam. Bilah dapat ditajamkan kembali dengan melepaskannya dan kemudian menggerinda atau mengikir mata potongnya dengan menjaga kemiringannya sedekat mungkin dengan kemiringan asli. Sangat penting bahwa setiap mata potong mendapatkan penggerindaan yang setara untuk mencegah ketidakseimbangan bilah. Keseimbangan bilah yang tidak baik akan menyebabkan getaran berlebihan dan pada akhirnya mengakibatkan kerusakan pada mesin dan pemotong rumput. Pastikan untuk dengan cermat menyeimbangkan bilah setelah mengasahnya. Bilah juga dapat diuji keseimbangannya dengan menyeimbangkannya pada obeng bertangkai bundar. Kikis logam dari sisi yang lebih berat sampai bilah seimbang merata. (**Gb. 37**)

Sebelum merakit kembali bilah dan adapter bilah ke unit, lumasi poros engkol mesin dan permukaan dalam adapter bilah dengan oli encer. Pasang adapter bilah pada poros engkol. Rujuklah **Gb. 37**. Tempatkan sisi bilah yang menampilkan nomor komponen menghadap menjauhi adapter. Ratakan cincin di atas bilah dan masukkan baut hex. Kencangkan baut hex ke torsi yang disebutkan di bawah ini.

10-3 TORSI PEMASANGAN BILAH

Baut tengah 40 Nm - 50 Nm, untuk memastikan pengoperasian yang aman pada unit Anda. Semua mur dan baut harus diperiksa ketepatan kekencangannya secara berkala. Setelah penggunaan yang lama, terutama pada kondisi tanah berpasir, bilah akan menjadi aus dan kehilangan sedikit ketajaman aslinya. Efisiensi pemotongan akan berkurang dan bilah sebaiknya diganti. Ganti hanya dengan bilah pengganti yang disetujui pabrik. Kerusakan yang dapat terjadi akibat kondisi bilah yang tidak seimbang bukan merupakan tanggung jawab pabrik pembuat.

Ketika mengganti bilah, Anda harus menggunakan jenis asli sebagaimana tertera pada bilah (MAKITA 263001451 untuk PLM4630N2/PLM4631N2/PLM4632N, MAKITA 263002552 untuk PLM5130N) (untuk memesan bilah, silakan hubungi dealer setempat atau hubungi perusahaan kami, lihat halaman sampul).

10-4 MESIN

Bacalah buku petunjuk mesin yang terpisah untuk petunjuk pemeliharaan mesin.

Pelihara oli mesin sebagaimana ditunjukkan dalam buku petunjuk mesin terpisah yang dikemas bersama unit Anda. Baca dan ikutlah petunjuk tersebut dengan saksama.

Servis pembersih udara sesuai dengan buku petunjuk mesin yang terpisah dalam kondisi normal.

Bersihkan setiap beberapa jam dalam kondisi yang sangat berdebu. Kinerja mesin yang buruk dan banjir bahan bakar ke dalam mesin biasanya menunjukkan bahwa pembersih udara harus diservis.

Untuk menyervis pembersih udara, rujuklah buku petunjuk mesin terpisah yang dikemas bersama unit Anda.

Busi harus dibersihkan dan celah elektrodanya disetel ulang sekali setiap musim. Penggantian busi disarankan pada awal setiap musim pemotongan rumput; bacalah buku petunjuk mesin untuk mengetahui spesifikasi jenis dan celah elektroda busi yang benar.

Bersihkan mesin secara teratur dengan kain atau sikat. Jagalah kebersihan sistem pendinginan (area rumah kipas) untuk memungkinkan sirkulasi udara yang benar yang sangat penting bagi kinerja mesin dan masa pakainya. Pastikan untuk membersihkan semua rumput, kotoran, dan serpihan yang mudah terbakar dari area knalpot.

11. PETUNJUK PENYIMPANAN (AKHIR MUSIM)

Langkah-langkah berikut sebaiknya diambil untuk menyiapkan mesin pemotong rumput untuk disimpan.

1. Kosongkan tangki bensinnya setelah pemotongan rumput terakhir dalam musim itu.
 - a) Kosongkan tangki bensin dengan pompa pengisap.



PERHATIAN: Jangan mengeluarkan bensin dalam ruang tertutup, di dekat nyala api terbuka, dsb. Jangan merokok! Uap bensin dapat menyebabkan ledakan atau kebakaran.

- b) Hidupkan mesin dan biarkan hidup sampai seluruh bensin yang tersisa habis terbakar dan mesin mati.
 - c) Lepaskan busi. Gunakan kaleng oli untuk mengisikan sekitar 20 ml oli ke dalam ruang pembakaran. Tarik starter untuk menyebarkan oli secara merata dalam ruang pembakaran. Pasang kembali busi.
2. Bersihkan dan lumasi mesin pemotong rumput dengan cermat seperti yang diuraikan di atas di bawah judul "PETUNJUK PELUMASAN".
 3. Lumasi sedikit alat pemotong untuk menghindari korosi.

4. Simpan mesin pemotong rumput di tempat yang kering, bersih, dan bebas dari bunga es, jauh dari jangkauan orang yang tidak berwenang.



PERHATIAN: Mesinnya harus sudah benar-benar dingin sebelum mesin pemotong rumput disimpan.



- CATATAN:**
- Saat menyimpan segala jenis peralatan bertenaga mesin dalam gudang tidak berventilasi atau tempat penyimpanan bahan.
 - Tindakan pencegahan harus dilakukan untuk melindungi peralatan dari karat. Gunakan oli encer atau silikon, lapisi peralatan, terutama kabel dan semua komponen bergeraknya.

- Berhati-hatilah untuk tidak menekuk atau membuat kabel-kabelnya kusut.
- Jika tali starter terlepas dari pemandu tali pada gagang, lepaskan dan ardekan kabel busi, tekan gagang pengendali bilah dan tarik tali starter keluar dari mesin dengan perlahan. Selipkan tali starter ke dalam baut pemandu tali pada gagang.

Pengangkutan

Matikan mesin dan biarkan mesin menjadi dingin. Selanjutnya, lepaskan kabel busi dan kosongkan tangki bahan bakar sesuai dengan petunjuk dalam petunjuk pengoperasian mesin. Pastikan untuk tidak menekuk atau merusak pemotong saat mendorong mesin pemotong rumput melewati penghalang.

12. PEMECAHAN MASALAH

MASALAH	KEMUNGKINAN PENYEBAB	TINDAKAN PERBAIKAN
Mesin tidak mau hidup.	Cuk gas tidak dalam posisi yang benar untuk kondisi yang ada.	Geser cuk gas ke posisi yang benar.
	Tangki bahan bakar kosong.	Isi tangki dengan bahan bakar: rujuklah BUKU PETUNJUK PEMILIK MESIN.
	Elemen pembersih udara kotor.	Bersihkan elemen pembersih udara: rujuklah BUKU PETUNJUK PEMILIK MESIN.
	Busi kendur.	Kencangkan busi sampai 25-30 Nm.
	Kabel busi kendur atau terlepas dari businya.	Pasang kabel busi pada busi.
	Celah busi tidak benar.	Setel celah antara elektroda sebesar 0,7 sampai 0,8 mm.
	Busi rusak.	Pasang busi yang baru dan celahnya benar: rujuklah BUKU PETUNJUK PEMILIK MESIN.
	Karburator kebanjiran bahan bakar.	Lepaskan elemen pembersih udara dan tarik tali starter terus menerus sampai karburator bersih dari banjir bensin dan pasang elemen pembersih udara.
Mesin sulit dihidupkan atau kehilangan tenaga.	Modul pengapian gagal.	Hubungi agen servis.
	Tangki bahan bakar kotor, berair, atau basi.	Keringkan bahan bakar dan bersihkan tangki. Isi tangki dengan bahan bakar yang bersih, dan baru.
	Lubang ventilasi pada tutup tangki bahan bakar tersumbat.	Bersihkan atau ganti tutup tangki bahan bakar.
Mesin beroperasi dengan tidak benar.	Elemen pembersih udara kotor.	Bersihkan elemen pembersih udara.
	Busi rusak.	Pasang busi yang baru dan celahnya benar: rujuklah BUKU PETUNJUK PEMILIK MESIN.
	Celah busi tidak benar.	Setel celah antara elektroda sebesar 0,7 sampai 0,8 mm.
Stasioner mesin buruk.	Elemen pembersih udara kotor.	Bersihkan elemen pembersih udara: rujuklah BUKU PETUNJUK PEMILIK MESIN.
	Lubang-lubang udara dalam selubung mesin tersumbat.	Bersihkan kotoran dari lubang-lubang ini.
	Sirip-sirip dan saluran udara pendingin di bawah rumah kipas mesin tersumbat.	Hilangkan kotoran dari kipas pendingin dan saluran udara.
Mesin melompat pada kecepatan tinggi.	Celah antara elektroda busi terlalu dekat.	Setel celah antara elektroda sebesar 0,7 sampai 0,8 mm.
Mesin terlalu panas.	Aliran udara pendingin terhambat.	Bersihkan kotoran dari lubang-lubang udara selubung mesin, rumah kipas, saluran udara.
	Busi salah.	Pasang busi asli dan sirip pendingin pada mesin.
Pemotong rumput bergetar tidak normal.	Rangkaian alat pemotong kendur.	Kencangkan bilah.
	Rangkaian alat pemotong tidak seimbang.	Seimbangkan bilah.

13. LINGKUNGAN

Apabila mesin Anda perlu diganti setelah menjadi tua dan lama digunakan, jangan membuangnya ke tempat sampah rumah tangga tetapi buanglah dengan cara yang aman bagi lingkungan.

Giải thích về hình vẽ tổng thể

- | | | |
|------------------------------|---------------------------|------------------------------|
| 1. Tay cầm điều khiển phanh | 12. Nắp bên | 23. Vòng đệm |
| 2. Tay cầm phía trên | 13. Bộ tỷ | 24. Núm khoá |
| 3. Tay cầm điều khiển tự lái | 14. Bu-gi | 25. Đai ốc hãm |
| 4. Lẫy gạt bướm gió | 15. Nắp dầu | 26. Bánh răng điều chỉnh góc |
| 5. Tay cầm bộ khởi động | 16. Nắp bình nhiên liệu | 27. Nút |
| 6. Dây dẫn | 17. Kẹp cáp | 28. Nắp dầu/que thăm dầu |
| 7. Lẫy khoá | 18. Vòng cố định cáp | 29. Lớn nhất: giới hạn trên |
| 8. Tay cầm phía dưới | 19. Lẫy điều chỉnh tốc độ | 30. Nhỏ nhất: giới hạn dưới |
| 9. Thùng thu cỏ | 20. Ném phủ | 31. Vít |
| 10. Lẫy điều chỉnh chiều cao | 21. Chỉ báo mức | 32. Núm vặn |
| 11. Rãnh xả bên | 22. Bu-lông | 33. Cơ cấu khóa |



CẢNH BÁO:

Vì sự an toàn của chính bạn, hãy đọc tài liệu hướng dẫn này trước khi có vận hành thiết bị mới. Không tuân theo hướng dẫn có thể dẫn đến thương tích cá nhân nghiêm trọng. Hãy dành vài phút để tự làm quen với máy cắt cỏ của bạn trước mỗi lần sử dụng. Giữ tài liệu hướng dẫn này ở một nơi an toàn, để thông tin sẵn có mọi lúc. Nếu bạn đưa thiết bị này cho bất kỳ người nào khác, hãy bàn giao cho họ cả hướng dẫn vận hành và các quy định về an toàn.

Mục đích sử dụng

Chỉ có thể sử dụng thiết bị này cho những công việc mà nó được thiết kế để xử lý. Bất kỳ việc sử dụng nào khác đều bị cho là sử dụng sai mục đích. Người sử dụng/nhân viên vận hành chứ không phải nhà sản xuất sẽ phải chịu trách nhiệm cho bất kỳ hư hỏng hoặc thương tích nào gây ra do hậu quả của việc sử dụng sai mục đích này.

Máy cắt cỏ dạng đẩy dùng dùng để sử dụng cho mục đích cá nhân nghĩa là dùng cho hộ gia đình và cho các công việc làm vườn.

Thông thường nếu chỉ sử dụng máy cắt cỏ này cho các mục đích cá nhân thì mỗi năm thời gian vận hành không vượt quá 50 giờ, trong thời gian này, máy chủ yếu được dùng để cắt cỏ trong các khu vực diện tích nhỏ, trong nhà riêng hay trong các khu vườn nhà/trồng theo sở thích. Không bao gồm các khu công cộng, các sân thể thao và các ứng dụng nông/lâm nghiệp.

Xin hãy chú ý rằng thiết bị này không được thiết kế để sử dụng cho các ứng dụng kinh doanh, thương mại, hay công nghiệp. Chúng tôi sẽ không bảo hành nếu máy được sử dụng trong kinh doanh, thương mại hay công nghiệp hoặc các mục đích tương tự.

Hướng dẫn sử dụng do nhà sản xuất cung cấp phải được giữ gìn và tham khảo để đảm bảo máy cắt cỏ này được sử dụng và bảo dưỡng đúng cách. Hướng dẫn này chứa các thông tin hữu ích về các vấn đề vận hành, và các điều kiện bảo dưỡng và dịch vụ.

Chú ý quan trọng! Do nguy cơ gây chấn thương cao cho thân thể của người sử dụng, không nên sử dụng máy cắt cỏ dạng đẩy này để cắt tỉa bụi cây, hàng rào cây hay cây bụi, để cắt các loài thực vật lớn, mái có phủ cây trồng, hay các loại cỏ mọc trên ban công, để làm sạch (hay hút) đất và gạt bụi đất khỏi đường đi, cũng như để cắt ngọn cây hay tỉa hàng rào cây. Hơn nữa, không nên dùng thiết bị này làm máy xới để làm thấp các khu vực cao như các đùn đất.

Vì các lý do an toàn, không nên dùng máy cắt cỏ này làm động cơ cho các công cụ lao động hay các bộ dụng cụ nào khác.

1. CÁC BIỂU TƯỢNG ĐƯỢC ĐÁNH DẤU TRÊN SẢN PHẨM (trên nắp phía sau)



Đọc tài liệu hướng dẫn cho người vận hành.



Không cho những người đứng cạnh đến gần.



Chú ý hơn đến tay và chân của người vận hành để tránh thương tích.



Nhiên liệu dễ cháy, để nhiên liệu tránh xa lửa. Không thêm nhiên liệu khi máy đang chạy.



Khói độc; không vận hành trong nhà.



Khi cắt cỏ, hãy đeo kính và nút bịt tai để bảo vệ chính người vận hành.



Khi sửa chữa, hãy nhắc bu-gi lên, rồi sau đó sửa bu-gi theo tài liệu hướng dẫn vận hành.



Thận trọng: Động cơ nóng.

2. CÁC QUY TẮC CHUNG VỀ AN TOÀN



CẢNH BÁO: Khi sử dụng các dụng cụ chạy xăng, các biện pháp phòng ngừa an toàn cơ bản, bao gồm các mục sau phải luôn được tuân theo để giảm nguy cơ thương tích cá nhân nghiêm trọng và/hoặc làm hỏng thiết bị. Đọc tất cả các hướng dẫn sau trước khi vận hành sản phẩm này và giữ lại các hướng dẫn này để tham khảo trong tương lai.



CẢNH BÁO: Máy này tạo ra trường điện từ trong khi vận hành. Trong một số trường hợp, trường này có thể ảnh hưởng tới thiết bị y tế cấy ghép chủ động hoặc bị động. Để giảm nguy cơ thương tích nghiêm trọng hoặc thương tích chết người, chúng tôi khuyên những người có thiết bị cấy ghép y tế nên hỏi ý kiến tư vấn của bác sỹ hoặc nhà sản xuất thiết bị cấy ghép y tế trước khi vận hành máy này.

Đào tạo

- Đọc kỹ các hướng dẫn. Làm quen với các cách điều khiển và sử dụng thiết bị đúng cách. Học cách dừng động cơ một cách nhanh chóng.
- Chỉ sử dụng máy cắt cỏ này cho mục đích thiết kế của nó, nghĩa là để cắt và thu dọn cỏ. Các mục đích sử dụng khác có thể nguy hiểm, gây hư hỏng cho máy. Ví dụ về việc sử dụng không đúng mục đích này có thể bao gồm, nhưng không giới hạn cho:
 - vận chuyển người, trẻ em hay động vật trên máy;
 - do máy khác vận chuyển;
 - dùng máy để kéo hay đẩy tải;
 - dùng máy để gom lá hay gạch đá vụn;
 - dùng máy để cắt tỉa hàng rào cây, hay cắt các loại thực vật khác ngoài cỏ;
 - nhiều hơn một người sử dụng máy;
 - sử dụng lưỡi cắt trên các bề mặt không phải là cỏ.
- Không bao giờ để trẻ em hay người không quen thuộc với các hướng dẫn này dùng máy cắt cỏ. Các quy chế ở địa phương có thể hạn chế số tuổi người vận hành.
- Không bao giờ dùng máy cắt cỏ:
 - khi có người, đặc biệt là trẻ nhỏ, hay động vật ở gần;
 - nếu người vận hành vừa uống thuốc hay các chất có thể ảnh hưởng đến khả năng phản ứng hay tập trung của người đó.
- Ghi nhớ rằng người vận hành hoặc người dùng đều phải chịu trách nhiệm về bất kỳ tai nạn hoặc mối nguy hiểm nào xảy ra với người khác hoặc tài sản của họ.
- Người vận hành phải được đào tạo sử dụng, điều chỉnh và vận hành máy đúng cách bao gồm cả các vận hành bị cấm.

Chuẩn bị

- Khi cắt cỏ, luôn đi giày chắc chắn và mặc quần dài. Không vận hành thiết bị khi đi chân trần hoặc đi dép hở ngón chân.
- Kiểm tra toàn bộ khu vực sẽ sử dụng thiết bị và loại bỏ mọi vật, như đá, đồ chơi, que gậy, dây điện, có thể bị máy làm văng ra.
- **CẢNH BÁO** – Xăng rất dễ cháy.

- cất giữ nhiên liệu trong bình chứa được thiết kế riêng cho mục đích này;
- chỉ nạp lại nhiên liệu ngoài trời và không hút thuốc trong khi đang nạp lại nhiên liệu;
- thêm nhiên liệu trước khi khởi động động cơ. Không tháo nắp của bình nhiên liệu hoặc thêm xăng trong khi động cơ đang chạy hoặc khi động cơ đang nóng;
- nếu xăng bị tràn, không cố khởi động động cơ mà hãy di chuyển máy tránh xa khỏi khu vực tràn và tránh tạo ra bất kỳ nguồn cháy nào cho đến khi hơi xăng đã phân tán;
- thay tất cả nắp bình nhiên liệu và bình chứa một cách an toàn.
- Thay bộ giảm thanh bị hỏng.
- Trước khi sử dụng, luôn kiểm tra bằng mắt xem lưỡi cắt, bu-lông lưỡi cắt và hệ thống máy cắt có bị mòn hay bị hỏng hóc không. Thay thế các lưỡi cắt và bu lông bị mòn hoặc hỏng hóc trong bộ thiết bị để duy trì sự cân bằng.
- Kiểm tra thường xuyên để đảm bảo là các khoá khởi động và các thao tác điều khiển hiện có đều hoạt động đúng chức năng.

Vận hành

- Không vận hành động cơ trong không gian hạn chế nếu khí oxit cacbon nguy hiểm có thể tích tụ.
- Không sử dụng máy khi đang mệt mỏi, ốm hay say rượu bia hay đang uống các loại thuốc khác.
- Cảnh báo! Không sử dụng máy cắt cỏ khi có nguy cơ bị sét đánh.
- Khuyến cáo nên sử dụng thiết bị trong một khoảng thời gian giới hạn, để giảm thiểu các nguy cơ về tiếng ồn và rung.
- Cẩn thận khi sử dụng máy cắt cỏ trên các triền dốc và gần các vách đứng, rãnh mương hay đê.
- Chỉ cắt cỏ trong điều kiện ánh sáng ban ngày hoặc ánh sáng nhân tạo tốt.
- Tránh vận hành thiết bị trên cỏ ướt, nếu có thể.
- Luôn nhớ đứng trên đường dốc.
- Bước đi, không được chạy.
- Đối với máy quay có bánh xe; cắt cỏ ngang qua bề mặt dốc, không di chuyển lên và xuống.
- Phải rất thận trọng khi thay đổi hướng trên dốc.
- Không cắt cỏ quá mức trên bề mặt có độ dốc quá lớn.
- Phải rất thận trọng khi lùi máy hoặc kéo máy cắt cỏ hướng về phía bạn.
- Dùng (các) lưỡi cắt nếu phải nghiêng máy cắt cỏ để vận chuyển khi đi qua các bề mặt không có cỏ và khi vận chuyển máy cắt cỏ đến hoặc ra khỏi khu vực được cắt.
- Không vận hành máy cắt cỏ khi tầm bảo vệ bị hỏng hóc hay không có thiết bị an toàn chẳng hạn như tầm chuyển hướng và/hoặc thùng thu cỏ ở đúng vị trí.
- Thận trọng: Không vận hành máy cắt cỏ mà không có người cắt cỏ hay thiết bị tự động phần bảo vệ xả của máy đứng chỗ.
- Không thay đổi cài đặt bộ điều chỉnh động cơ hoặc vượt quá tốc độ động cơ.
- Không thay đổi hay làm xáo trộn các điều chỉnh đã được niêm phong đối với điều khiển tốc độ.
- Không nên làm xáo trộn hay vô hiệu hóa hệ thống an toàn hay các tính năng dành cho máy cắt cỏ.
- Tháo tất cả lưỡi cắt và ly hợp dẫn động trước khi khởi động động cơ.

- Khởi động động cơ cẩn thận theo hướng dẫn và để chân cách xa (các) lưỡi cắt ở khoảng cách an toàn.
- Không nghiêng máy cắt cỏ khi khởi động động cơ.
- Không khởi động động cơ khi đứng trước máng xả.
- Không đặt tay hoặc chân gần hoặc bên dưới các bộ phận đang quay. Luôn giữ cho cửa xả thông thoáng.
- Không nhắc hoặc xách máy cắt cỏ trong khi động cơ đang chạy.
- Dừng động cơ và rút dây bu-gi, đảm bảo rằng tất cả các bộ phận chuyển động đã dừng hẳn và, nếu có khoá cầm vào, hãy rút khoá ra:
 - trước khi loại bỏ vật cản hoặc gỡ máng;
 - trước khi kiểm tra, vệ sinh hoặc làm việc với máy cắt cỏ;
 - sau khi va chạm phải vật thể lạ. Kiểm tra máy xem máy cắt cỏ có bị hư hỏng không và tiến hành sửa chữa trước khi khởi động lại và vận hành máy cắt cỏ;
 - Nếu máy cắt cỏ bắt đầu rung bất thường (kiểm tra ngay lập tức).
- Dừng động cơ và rút dây bu-gi, đảm bảo rằng tất cả các bộ phận chuyển động đã dừng hẳn và, nếu có khoá cầm vào, hãy rút khoá ra:
 - bất cứ khi nào bạn rời khỏi máy cắt cỏ;
 - trước khi nạp lại nhiên liệu.
- Giảm thiết đặt bướm ga trong khi động cơ tắt và, nếu động cơ có van đóng, hãy ngừng cung cấp nhiên liệu khi cắt cỏ xong.
- Chỉ sử dụng máy cắt cỏ này cho mục đích thiết kế của máy, để cắt và thu dọn cỏ. Bất kỳ mục đích sử dụng khác có thể nguy hiểm, gây hư hỏng cho máy.

Bảo dưỡng và cất giữ

- Giữ cho tất cả đai ốc, bu lông và vít luôn chặt để đảm bảo thiết bị trong điều kiện làm việc an toàn.
- Không cất giữ thiết bị có xăng trong bình chứa trong nhà nơi hơi xăng có thể tiếp cận ngọn lửa trần hoặc tia lửa.
- Để động cơ nguội đi trước khi cất giữ trong bất kỳ vỏ bọc nào; Lau sạch và bảo dưỡng máy cắt cỏ trước khi để vào kho.
- Để giảm nguy cơ cháy, hãy giữ động cơ, bộ giảm thanh, ngăn đặt pin và khu vực cất giữ xăng không có cỏ, lá cây hoặc dư thừa dầu mỡ.
- Kiểm tra thùng thu cỏ thường xuyên xem có bị mòn hoặc hư hỏng không.

4. DỮ LIỆU KỸ THUẬT

Kiểu máy	PLM4630N2	PLM4631N2	PLM4632N	PLM5130N
Loại động cơ	B&S 675EXi Series, ReadyStart	B&S 675EXi Series, ReadyStart	B&S 750EX Series, ReadyStart	B&S 750EX Series, ReadyStart
Tự đẩy	Không	Có	Có	Có
Dung tích động cơ	163 cm ³	163 cm ³	161 cm ³	161 cm ³
Công suất danh nghĩa	2,6 kW	2,6 kW	2,5 kW	2,5 kW
Chiều rộng lưỡi cưa	460 mm	460 mm	460 mm	510 mm
Tốc độ định mức	2.800/phút	2.800/phút	2.800/phút	2.800/phút
Dung tích bình nhiên liệu	1,0 L	1,0 L	1,0 L	1,0 L
Thể tích bình dầu	0,47 L	0,47 L	0,6 L	0,6 L
Công suất thùng thu cỏ	60 L	60 L	60 L	65 L
Trọng lượng tịnh	30 kg	32,5 kg	35 kg	38 kg
Điều chỉnh chiều cao	25 – 70 mm, 8 điều chỉnh	25 – 70 mm, 8 điều chỉnh	25 – 70 mm, 8 điều chỉnh	25 – 70 mm, 8 điều chỉnh

- Thay thế các bộ phận bị mòn hoặc hư hỏng để đảm bảo an toàn.
- Nếu phải xả bình nhiên liệu thì nên thực hiện việc này ngoài trời.
- Việc bảo dưỡng không đúng cách, sử dụng các bộ phận thay thế không phù hợp, hay loại bỏ hoặc điều chỉnh các bộ phận an toàn có thể gây hư hỏng máy và gây chấn thương nghiêm trọng cho người vận hành.
- Chỉ sử dụng các loại lưỡi cắt và phụ kiện được khuyến cáo bởi nhà sản xuất. Sử dụng các thiết bị không chính hãng có thể gây hư hỏng máy và gây chấn thương cho người vận hành. Giữ máy cắt cỏ trong điều kiện làm việc tốt.
- Nếu thiết bị dừng lưỡi cắt không hoạt động, vui lòng liên hệ với trung tâm dịch vụ để được hỗ trợ.

Vận chuyển và điều khiển

- Bất kỳ khi nào điều khiển máy, nâng lên, vận chuyển hoặc nghiêng máy bạn phải:
 - đeo găng tay bảo hộ chắc chắn;
 - nắm chặt máy tại các điểm an toàn, để ý đến trọng lượng và sự phân bố trọng lượng của nó;
 - sử dụng số lượng người phù hợp cho trọng lượng của máy và các đặc tính của xe hoặc nơi sẽ đặt hoặc thu gom.
- Trong khi vận chuyển, hãy buộc chặt máy bằng các sợi dây thừng hoặc xích.



CẢNH BÁO: Không chạm vào lưỡi cắt đang quay.



CẢNH BÁO: Nạp lại nhiên liệu ở khu vực thông thoáng tốt khi động cơ đã dừng.

3. MÔ TẢ CÁC BỘ PHẬN (Hình 1, Hình 2, Hình 3, Hình 4)

Bao gồm

A: Cờ lê bu-gi

5. QUÁ TRÌNH LẮP RÁP

5-1 LẮP RÁP TAY CẦM GẮP

1. Cố định thanh tay cầm phía dưới vào giá đỡ tay cầm bằng bu-lông, vòng đệm và núm khoá. **(Hình 5)**
2. Nâng hai lẫy khoá để nối tay cầm phía trên và tay cầm phía dưới. **(Hình 6)**
3. Ấn lẫy khoá đóng để khoá thanh tay cầm vào vị trí vận hành. **(Hình 7)**
4. Dùng cờ lê phù hợp điều chỉnh độ căng bằng cách vận đai ốc hãm. **(Hình 8)**
5. Định vị cáp trên trục của tay cầm. Kẹp cáp vào giữa tay cầm phía dưới bằng kẹp cáp và đảm bảo cáp được cố định bên ngoài tay cầm. **(Hình 9, Hình 10)** Nếu không, cáp có thể bị kẹp khi mở/đóng nắp sau.

5-2 ĐIỀU CHỈNH ĐỂ CÓ GÓC THÍCH HỢP

1. Kéo lẫy khoá đang mở.
2. Quay tay cầm phía trên đúng tâm bánh răng điều chỉnh góc để điều chỉnh góc thích hợp trong phạm vi từ -15° đến 15° (3 vị trí: -15°/0°/15°) như minh hoạ trong **Hình 11**.
3. Ấn lẫy khoá đóng để nối tay cầm phía dưới và tay cầm phía trên.

5-3 GẮN VÀ THÁO THÙNG THU CỎ

1. Để lắp: Nâng nắp sau lên và móc thùng thu cỏ vào đằng sau máy cắt cỏ. **(Hình 12, Hình 13, Hình 14)**
2. Để tháo: Nắm và nhấn nắp sau lên, tháo thùng thu cỏ.

5-4 TAY CẦM BỘ KHỞI ĐỘNG

Di chuyển tay cầm bộ khởi động từ động cơ đến dây dẫn. **(Hình 15)**

5-5 CHIỀU CAO CẮT

Dùng áp lực từ ngoài để tháo lẫy khởi động thanh răng. Di chuyển lẫy ra phía trước hoặc phía sau để điều chỉnh chiều cao. **(Hình 16 và xem mục 7-9)**

6. CHỨC NĂNG

Có thể cải tiến các máy cắt cỏ này từ chức năng thông thường của chúng, dựa trên mục đích ứng dụng:

Từ máy cắt cỏ có thiết bị gom đống sau đến:

1. Máy cắt cỏ phủ hoặc là
2. Máy cắt cỏ xả bên.

Phủ là gì?

Khi phủ, cỏ được cắt trong một bước làm việc, sau đó cỏ được băm nhỏ và được đưa trở lại dải cỏ làm phân bón tự nhiên.

Mẹo để cắt cỏ phủ:

- Cắt bớt thường xuyên theo chiều cao cỏ tối đa 2 cm từ 6 cm đến 4 cm.
- Sử dụng dao cắt sắc.
- Không cắt cỏ ướt.
- Đặt tốc độ động cơ tối đa.
- Chỉ di chuyển theo nhịp độ làm việc.
- Thường xuyên làm sạch ném phủ, phía bên trong vỏ và lưỡi cắt.

Bắt đầu Vận hành

6-1 Cải tiến dành cho máy cắt cỏ phủ



CẢNH BÁO: Chỉ khi động cơ và lưỡi cắt đã dừng.

1. Nâng nắp sau và tháo thùng thu cỏ.
2. Đẩy ném phủ vào bên tay. Dùng nút cố định ném phủ vào cửa trên bên tay. **(Hình 17, Hình 18)**
3. Hạ thấp nắp sau lần nữa. **(Hình 19)**
4. Nâng nắp bên và tháo rãnh xả bên.

6-2 Đặt lại để cắt cỏ xả bên



Chỉ khi động cơ và việc cắt đã dừng!

1. Nâng nắp sau và tháo thùng thu cỏ.
2. Gắn ném phủ.
3. Mở khóa cơ cấu khóa. **(Hình 20A)**
4. Nâng nắp bên để xả bên. **(Hình 20B)**
5. Gắn rãnh xả bên để xả bên vào chốt trục bản lề của nắp bên. **(Hình 21)**
6. Hạ thấp nắp bên – nắm nằm trên rãnh xả bên. **(Hình 22)**

6-3 Cắt cỏ với thùng thu cỏ



CẢNH BÁO: Chỉ khi động cơ và máy cắt đã dừng.

Để cắt cỏ với thùng thu cỏ, tháo ném phủ và rãnh xả bên để xả bên và gắn thùng thu cỏ.

1. Tháo ném phủ.
 - Nâng nắp sau và tháo ném phủ.
2. Tháo rãnh xả bên để xả bên.
 - Nâng nắp bên và tháo rãnh xả bên.
 - Nắp bên tự động đóng cửa xả trên vỏ bằng lực lò xo.
 - Thường xuyên làm sạch nắp bên và các dạng cửa xả có phần cỏ còn lại và bụi bẩn.
3. Lắp thùng thu cỏ.
 - Để lắp: Nâng nắp sau lên và móc thùng thu cỏ vào đằng sau máy cắt cỏ.
 - Để tháo: Nắm và nhấn nắp sau lên, tháo thùng thu cỏ.

7. HƯỚNG DẪN VẬN HÀNH

7-1 TRƯỚC KHI KHỞI ĐỘNG

Bảo trì động cơ bằng xăng và dầu như được hướng dẫn trong tài liệu hướng dẫn riêng cho động cơ đi kèm trong máy cắt cỏ của bạn. Đọc kỹ hướng dẫn. **(Hình 23, Hình 24, Hình 25, Hình 26)**




CẢNH BÁO: Xăng rất dễ cháy.

Cất giữ nhiên liệu trong bình chứa được thiết kế riêng cho mục đích này.

Chỉ nạp lại nhiên liệu ngoài trời, trước khi khởi động động cơ và không hút thuốc trong khi đang nạp lại nhiên liệu hoặc vận chuyển nhiên liệu. Không tháo nắp của bình nhiên liệu hoặc thêm xăng trong khi động cơ đang chạy hoặc khi động cơ đang nóng.

Nếu xăng bị tràn, không cố khởi động động cơ mà hãy di chuyển máy tránh xa khỏi khu vực tràn và tránh tạo


ra bất kỳ nguồn cháy nào cho đến khi hơi xăng đã phân tán.
Thay tất cả nắp bình nhiên liệu và bình chứa một cách an toàn.
Trước khi lật máy cắt cỏ để bảo trì lưỡi cắt hoặc xả dầu, tháo nhiên liệu khỏi bình chứa.


 **CẢNH BÁO:** Không đổ đầy bình nhiên liệu trong nhà, khi động cơ đang chạy hoặc cho đến khi động cơ được để nguội trong ít nhất 15 phút sau khi chạy.


7-2 ĐỂ KHỞI ĐỘNG ĐỘNG CƠ VÀ GÀI CHẶT LƯỖI CẮT

- Thiết bị được trang bị vỏ bọc cao su phía trên đầu dây bu-gi, đảm bảo vòng kim loại trên đầu dây bu-gi (bên trong vỏ bọc cao su) được vận chặt phía trên đầu kim loại trên bu-gi.
- Khi khởi động động cơ nguội hoặc nóng, chuyển lấy gạt bướm gió tới vị trí bất kỳ nằm giữa vị trí “☁” và vị trí “☁☁”. Khi vận hành, chuyển lấy gạt bướm gió đến vị trí “☁☁”. (Hình 27)
- Đứng sau thiết bị, nắm và giữ chặt tay cầm điều khiển phanh dựa vào tay cầm phía trên như minh họa trong Hình 28.
- Nắm tay cầm bộ khởi động như minh họa trong Hình 28 và kéo lên nhanh. Từ từ trả tay cầm bộ khởi động về bu-lông dây dẫn sau khi động cơ khởi động.

Nhà tay cầm điều khiển phanh để dừng động cơ và lưỡi cắt.


 Khởi động động cơ cẩn thận theo hướng dẫn và để chân cách xa lưỡi cắt với khoảng cách an toàn.


 Không nghiêng máy cắt cỏ khi khởi động động cơ. Khởi động máy cắt cỏ trên bề mặt bằng phẳng, không có cỏ cao hoặc chướng ngại vật.


 Để tay và chân cách xa các bộ phận đang quay. Không khởi động động cơ khi đứng trước cửa xả.

7-3 QUY TRÌNH VẬN HÀNH

Trong quá trình vận hành, giữ chặt tay cầm phanh bằng cả hai tay.


 **CHÚ Ý:** Trong quá trình vận hành, khi nhà tay cầm phanh, động cơ sẽ dừng và do đó ngăn máy cắt cỏ vận hành.

 **CẢNH BÁO:** Để tránh bất kỳ sự khởi động không mong muốn nào của máy cắt cỏ, cần phải trang bị một phanh động cơ, phanh này phải được kéo lại phía sau trước khi khởi động động cơ. Khi cần kiểm soát động cơ được thả ra nó phải quay lại vị trí ban đầu của nó, tại điểm này động cơ sẽ tự động tắt.

 **CHÚ Ý:** Phanh hãm động cơ (phanh bằng tay): Sử dụng cần để dừng động cơ. Khi bạn nhả cần, động

cơ và lưỡi cắt sẽ tự động dừng. Để cắt cỏ, hãy giữ cần trong vị trí làm việc. Trước khi bạn khởi động cắt, kiểm tra cần khởi động/dừng vài lần để đảm bảo cho nó hoạt động đúng cách. Đảm bảo rằng dây cáp có thể hoạt động trơn tru (nghĩa là không hãm hoặc thắt nút bằng mọi cách).

7-4 ĐỂ DỪNG ĐỘNG CƠ

 **THẬN TRỌNG:** Lưỡi cắt tiếp tục quay trong vài giây sau khi tắt động cơ.

- Nhà tay cầm điều khiển phanh để dừng động cơ và lưỡi cắt. (Hình 29)
- Rút và tiếp đất dây bu-gi như được hướng dẫn trong tài liệu hướng dẫn động cơ riêng để tránh vô tình khởi động khi không giám sát thiết bị.

7-5 NỔ ĐỂ TỰ ĐỘNG DI CHUYỂN

Dành cho PLM4631N2


Giữ chặt Tay cầm điều khiển tự lái, máy cắt cỏ sẽ di chuyển tự động ra phía trước khoảng 3,6 km/h (Hình 30), nhà tay cầm tự lái, máy cắt cỏ sẽ dừng di chuyển.

Dành cho PLM4632N, PLM5130N

Máy cắt cỏ được trang bị hệ thống điều khiển tốc độ có thể điều chỉnh 3 tốc độ từ 3,0 km/h đến 4,5 km/h. Vị trí “☁☁”: vị trí chậm nhất; Vị trí “☁☁☁”: vị trí nhanh nhất. (Hình 31)

Bước như bên dưới:


- Nhà tay cầm điều khiển tự lái cho đến khi máy cắt cỏ không tiến về phía trước.
- Điều chỉnh tốc độ thích hợp mà bạn muốn. (Hình 31)
- Giữ tay cầm điều khiển tự lái để tiếp tục cắt cỏ. (Hình 30)

 **THẬN TRỌNG:** Máy cắt cỏ của bạn được thiết kế để cắt cỏ ở khu dân cư thông thường có độ cao không quá 250 mm. Không cắt cỏ trên cỏ ướt hoặc khô cao bất thường (ví dụ: đồng cỏ) hoặc chống lá cây khô. Mảnh vụn có thể tích tụ trên bộ tỷ của máy cắt cỏ hoặc tiếp xúc với ống xả động cơ, gây nguy cơ cháy tiềm ẩn.

7-6 ĐỂ CÓ KẾT QUẢ TỐT NHẤT KHI CẮT CỎ

Làm sạch cỏ có mảnh vụn. Đảm bảo rằng cỏ không có đá, que, dây hoặc các ngoại vật khác có thể vô tình bị máy cắt cỏ làm cho văng ra theo bất kỳ hướng nào và gây ra thương tích cá nhân nghiêm trọng cho người vận hành hoặc những người khác cũng như làm hỏng tài sản và các vật xung quanh. Không cắt cỏ ướt. Để cắt cỏ hiệu quả, không cắt cỏ ướt vì cỏ ướt có xu hướng dính vào mặt dưới của bộ tỷ ngăn việc cắt vụn cỏ đúng cách. Cắt không quá 1/3 chiều dài cỏ. Nên cắt 1/3 chiều dài cỏ. Cần điều chỉnh tốc độ tiếp đất để vụn cỏ có thể được phân tán đều vào cỏ. Để cắt cỏ đặc biệt dày, có thể cần sử dụng một trong những tốc độ chậm nhất để cỏ được vết cắt sạch hiệu quả. Khi cắt cỏ dài, bạn có thể phải cắt cỏ làm hai lần, hạ thấp chiều dài lưỡi cắt thêm 1/3 để cắt lần thứ hai và có thể cắt theo cách khác với cách cắt lần đầu. Việc cắt nhỏ chống chéo mỗi lần cũng sẽ giúp làm sạch máy cắt cỏ mảnh vụn rải rác còn lại trên cỏ. Nên vận hành máy cắt cỏ

với bướm ga mở hoàn toàn để cắt gọn và hiệu quả nhất. Làm sạch mặt dưới bộ tỳ. Đảm bảo làm sạch mặt dưới của bộ tỳ cắt sau mỗi lần sử dụng để tránh tích tụ cỏ, sẽ ngăn phủ đúng cách. Cắt lá cây. Việc cắt lá cây có thể cũng có lợi cho cỏ của bạn. Khi cắt lá cây, đảm bảo lá cây khô và không nằm trên cỏ quá dày. Không đợi tất cả lá rụng khỏi cây trước khi bạn cắt cỏ.

 **CẢNH BÁO:** Nếu bạn va phải ngoại vật, hãy dừng động cơ. Tháo dây khỏi bu-gi, kiểm tra kỹ máy cắt cỏ xem có bất kỳ hỏng hóc nào không và sửa chữa hỏng hóc trước khi khởi động lại và vận hành máy cắt cỏ. Máy cắt cỏ bị rung lớn trong quá trình vận hành là dấu hiệu hỏng hóc. Nên kiểm tra và sửa chữa thiết bị kịp thời.

7-7 THÙNG THU CỎ

Có một chỉ báo mức phía trên cùng của thùng thu cỏ cho biết thùng thu cỏ rỗng hay đầy (**Hình 32, Hình 33**):

- Chỉ báo mức cho biết thùng thu cỏ đã đầy hay chưa trong khi cắt. (**Hình 33**)
- Nếu thùng thu cỏ đầy, chỉ báo sẽ tắt; khi điều này xảy ra, hãy dừng di chuyển ngay lập tức và đổ hết cỏ khỏi thùng thu cỏ, đảm bảo thùng thu cỏ sạch và đảm bảo lưới của nó thông thoáng. (**Hình 32**)


QUAN TRỌNG


Nếu vị trí của cửa chỉ báo bị bẩn, chỉ báo sẽ không sáng, trong trường hợp này, hãy làm sạch vị trí của cửa chỉ báo ngay lập tức.

7-8 BỆ TỖ

Nên làm sạch mặt dưới bộ tỳ của máy cắt cỏ sau mỗi lần sử dụng để ngăn tích tụ vụn cỏ, lá cây, bụi bẩn hoặc các vật khác. Nếu để mảnh vụn này tích tụ thì sẽ gây ra gỉ và ăn mòn, có thể ngăn phủ đúng cách. Có thể làm sạch bộ tỳ bằng cách nghiêng máy cắt cỏ và cào sạch bằng dụng cụ hợp lý (đảm bảo ngắt dây bu-gi).

7-9 HƯỚNG DẪN ĐIỀU CHỈNH CHIỀU CAO

 **THẬN TRỌNG:** Không thực hiện điều chỉnh đối với máy cắt cỏ bất kỳ lúc nào trước khi dừng động cơ và ngắt dây bu-gi.

 **THẬN TRỌNG:** Trước khi thay đổi chiều cao cắt, hãy dùng máy cắt cỏ và ngắt cáp bu-gi.

Máy cắt cỏ của bạn được trang bị lấy điều chỉnh chiều cao trung tâm cung cấp 8 vị trí chiều cao. Có thể điều chỉnh chiều cao (từ lưới cắt đến mặt đất) từ 25 mm đến 70 mm (8 vị trí chiều cao). (**Hình 34**) Điều chỉnh thấp nhất: 25 mm (vị trí 1); điều chỉnh cao nhất: 70 mm (vị trí 8).

1. Dừng máy cắt cỏ và ngắt cáp bu-gi trước khi thay đổi chiều cao cắt của máy cắt cỏ.
2. Lấy điều chỉnh chiều cao trung tâm cung cấp 8 vị trí chiều cao khác nhau. (**Hình 34**)

Đổi thay đổi chiều cao cắt, siết chặt lấy của bộ điều chỉnh về phía bánh xe, di chuyển lên hoặc xuống đến chiều cao đã chọn.

8. HƯỚNG DẪN BẢO TRÌ

BU-GI

Chỉ sử dụng bu-gi thay thế ban đầu. Để có kết quả tốt nhất, hãy thay bu-gi 100 giờ sử dụng mỗi lần.

MÁ PHANH


Kiểm tra và/hoặc thay thế các má phanh động cơ trong đại lý bảo hành thường xuyên, chỉ có thể thay thế bằng các bộ phận chính hãng.

9. HƯỚNG DẪN TRA DẦU

 **THẬN TRỌNG:** NGẮT BU-GI TRƯỚC KHI BẢO TRÌ.


1. BÁNH XE-Tra dầu cho các vòng bi trong từng bánh xe ít nhất một lần mỗi mùa bằng dầu nhẹ.
2. ĐỘNG CƠ-Làm theo tài liệu hướng dẫn động cơ để biết hướng dẫn tra dầu.

10. LÀM SẠCH

 **THẬN TRỌNG:** Không dùng ống xịt nước vào động cơ. Nước có thể làm hỏng động cơ hoặc làm bẩn hệ thống nhiên liệu.

1. Lau bộ tỳ bằng vải khô.
2. Dùng ống xịt nước bên dưới bộ tỳ bằng cách nghiêng máy cắt cỏ để bu-gi hướng lên trên.

10-1 BỘ LỌC GIÓ ĐỘNG CƠ


 **THẬN TRỌNG:** Không để bụi bẩn làm tắc lõi lọc bọt của bộ lọc gió. Phải bảo trì (làm sạch) lõi lọc gió của động cơ sau 25 giờ cắt cỏ thông thường. Phải thường xuyên bảo trì lõi lọc bọt nếu máy cắt cỏ được sử dụng trong những điều kiện bụi khô.

ĐỂ LÀM SẠCH BỘ LỌC GIÓ

1. Tháo vít. (**Hình 35** cho PLM4632N và PLM5130N)
2. Tháo núm vặn trên nắp bộ lọc. (**Hình 36** cho PLM4630N2 và PLM4631N2)
3. Tháo nắp bộ lọc.
4. Rửa lõi lọc bằng nước xà phòng. **KHÔNG DÙNG XĂNG!**
5. Lõi lọc gió khô.
6. Cho vài giọt dầu SAE30 vào bộ lọc bọt và siết chặt để xả hết dầu thừa.
7. Lắp lại bộ lọc.
8. Đóng nắp bộ lọc.

CHÚ Ý: Thay bộ lọc nếu bị sờn, rách, hỏng hoặc không thể làm sạch được.

10-2 LƯỚI CẮT

 **THẬN TRỌNG:** Đảm bảo ngắt và tiếp đất dây bu-gi trước khi làm việc trên lưới cắt để tránh vô tình khởi động động cơ. Bảo vệ tay bằng cách sử dụng gang tay dày hoặc găng để giữ lưới cắt. Lật máy cắt như chỉ định trong tài liệu hướng dẫn động cơ riêng. Tháo bu-lông lục giác và vòng đệm giữ lưới cắt và bộ điều

chỉnh lưỡi cắt với trục khuỷu của động cơ. Tháo lưỡi cắt và bộ điều chỉnh khỏi trục khuỷu.

! **CẢNH BÁO:** Kiểm tra định kỳ bộ điều chỉnh lưỡi cắt xem có nút vỡ không, đặc biệt nếu bạn va phải ngoại vật. Thay khi cần.

Đề có kết quả tốt nhất, lưỡi cắt của bạn phải sắc. Có thể mài sắc lại lưỡi cắt bằng cách tháo lưỡi cắt và mài hoặc giữa cạnh cắt giữ càng gần với cạnh xiên ban đầu càng tốt. Điều cực kỳ quan trọng là mỗi cạnh cắt phải được mài bằng nhau để tránh lưỡi cắt không cân bằng. Cân bằng lưỡi cắt không hợp lý sẽ dẫn đến rung quá mức gây hỏng hóc cho động cơ và máy cắt cỏ. Đảm bảo cẩn thận khi cân bằng lưỡi cắt sau khi mài sắc. Có thể kiểm tra lưỡi cắt xem có cân bằng không bằng cách cân bằng lưỡi cắt trên một tua vít có trục hình tròn. Tháo kim loại khỏi bên nặng cho đến khi lưỡi cắt cân bằng đều. **(Hình 37)**

Trước khi lắp lại lưỡi cắt và bộ điều chỉnh lưỡi cắt vào thiết bị, tra dầu trục khuỷu của động cơ và mặt bên trong của bộ điều chỉnh lưỡi cắt bằng dầu nhẹ. Lắp bộ điều chỉnh lưỡi cắt vào trục khuỷu. Tham khảo

Hình 37. Đặt lưỡi cắt có số bộ phận hướng ra xa bộ điều chỉnh. Căn chỉnh vòng đệm trên lưỡi cắt và lắp bu-lông lục giác vào. Siết bu-lông lục giác đến mômen được liệt kê bên dưới.

10-3 MÔMEN LẮP LƯỖI CẮT

Bu-lông trung tâm 40 Nm - 50 Nm, để đảm bảo thiết bị của bạn vận hành an toàn. Tất cả đai ốc và bu-lông phải được kiểm tra định kỳ xem có độ chặt thích hợp không.

Sau khi sử dụng liên tục một thời gian, đặc biệt trong các điều kiện đất cát, lưỡi cắt sẽ bị mòn và mất một số hình dạng ban đầu. Hiệu quả cắt sẽ giảm đi và lúc đó nên thay lưỡi cắt. Chỉ thay bằng lưỡi cắt thay thế được nhà máy phê duyệt. Hỏng hóc có thể do điều kiện lưỡi cắt không cân bằng không phải là trách nhiệm của nhà sản xuất.

Khi thay đổi lưỡi cắt, bạn phải sử dụng loại ban đầu được đánh dấu trên lưỡi cắt (MAKITA 263001451 dành cho PLM4630N2/PLM4631N2/PLM4632N, MAKITA 263002552 dành cho PLM5130N) (để đặt hàng lưỡi cắt, vui lòng liên hệ với đại lý tại địa phương của bạn hoặc gọi đến công ty của chúng tôi, hãy xem trang bia).

10-4 ĐỘNG CƠ

Tham khảo tài liệu hướng dẫn động cơ riêng để biết hướng dẫn bảo trì động cơ.

Bảo trì dầu động cơ như hướng dẫn trong tài liệu hướng dẫn động cơ riêng đi kèm với thiết bị của bạn. Đọc kỹ và làm theo hướng dẫn.

Bảo trì bộ lọc gió theo tài liệu hướng dẫn động cơ riêng trong điều kiện thông thường.

Làm sạch và gõ một lần trong điều kiện quá nhiều bụi bẩn. Hiệu suất động cơ kém và hiện tượng bị sục xăng thường xuyên cho thấy bộ lọc gió nên được bảo trì.

Để bảo trì bộ lọc gió, hãy tham khảo tài liệu hướng dẫn động cơ riêng đi kèm với thiết bị của bạn.

Nên làm sạch bu-gi và đặt lại khoảng cách một lần mỗi mùa. Nên thay bu-gi khi bắt đầu mỗi mùa cắt; kiểm tra tài liệu hướng dẫn động cơ để biết đúng loại bu-gi và các thông số kỹ thuật khoảng cách.

Làm sạch động cơ thường xuyên bằng vải hoặc bàn chải. Giữ hệ thống làm mát (Khu vực vỏ bọc của máy

thổi khí) sạch sẽ để lưu thông khí hợp lý cần cho hiệu suất và tuổi thọ động cơ. Đảm bảo loại bỏ tất cả cỏ, bụi bẩn và các mảnh vụn dễ cháy khỏi khu vực có bộ giảm thanh.

11. HƯỚNG DẪN CẮT GIỮ (TRÁI MÙA)

Nên thực hiện các bước sau đây để chuẩn bị cắt giữ máy cắt cỏ.

1. Đổ hết bình chứa sau mùa cắt cỏ cuối cùng.

1) Tháo cạn bình nhiên liệu bằng bơm hút.

! **THẬN TRỌNG:** Không xả nhiên liệu trong phòng kín, ở gần ngọn lửa trần, v.v. Không hút thuốc! Hơi xăng có thể gây nổ hoặc cháy.

b) Khởi động động cơ và để động cơ chạy cho đến khi nó sử dụng hết nhiên liệu còn lại và ngừng chạy.

c) Tháo bu-gi. Sử dụng thùng dầu để đổ xấp xỉ 20 ml dầu vào buồng đốt. Vận hành bộ khởi động để phân phối đều dầu vào buồng đốt. Thay bu-gi.

2. Làm sạch và tra mỡ cho máy cắt cỏ cẩn thận như mô tả bên trên trong phần "HƯỚNG DẪN TRA DẦU".

3. Nhẹ nhàng tra mỡ cho máy cắt cỏ để tránh ăn mòn.

4. Cắt giữ máy cắt cỏ ở nơi khô ráo, sạch sẽ và chống sương giá, ngoài tầm với của những người không được phép.

! **THẬN TRỌNG:** Trước khi cắt giữ máy cắt cỏ, động cơ phải được để nguội hoàn toàn.

! **CHÚ Ý:**

- Khi cắt giữ bất kỳ loại thiết bị điện nào trong nhà kho để vật liệu hoặc không thông gió.

- Nên chú ý chống gỉ cho thiết bị. Dùng dầu nhẹ hoặc silicon, phủ thiết bị, đặc biệt là phần và tất cả các bộ phận chuyển động.

- Cẩn thận để không làm cong hoặc xoắn cáp.

- Nếu dây khởi động bị rút khỏi dây dẫn trên tay cầm, ngắt và tiếp đất dây bu-gi, ấn vào tay cầm điều khiển lưỡi cắt và kéo chậm dây khởi động ra khỏi động cơ. Trượt dây khởi động vào bu-lông dây dẫn trên tay cầm.

Vận chuyển

Tắt động cơ và cho phép động cơ làm lạnh. Sau đó ngắt dây bugi và tháo sạch nhiên liệu trong bình theo hướng dẫn trong sách hướng dẫn động cơ. Đảm bảo không uốn cong hoặc làm hư hỏng dao cắt khi đẩy máy cắt cỏ qua các vật cản.

12. KHẮC PHỤC SỰ CỐ

SỰ CỐ	NGUYÊN NHÂN CÓ THỂ	BIỆN PHÁP KHẮC PHỤC
Động cơ không khởi động.	Lấy gạt bướm gió không ở đúng vị trí với các điều kiện thông dụng.	Di chuyển lấy gạt bướm gió đến đúng vị trí.
	Bình nhiên liệu rỗng.	Đổ nhiên liệu vào bình chứa: tham khảo TÀI LIỆU HƯỚNG DẪN SỬ DỤNG ĐỘNG CƠ.
	Lỗi lọc gió bẩn.	Làm sạch lõi lọc gió: tham khảo TÀI LIỆU HƯỚNG DẪN SỬ DỤNG ĐỘNG CƠ.
	Bu-gi lỏng.	Siết bu-gi đến 25-30 Nm.
	Dây bu-gi lỏng hoặc bị tháo khỏi phích cắm.	Lắp đặt dây bu-gi vào bu-gi.
	Khoảng cách bu-gi không đúng.	Đặt khoảng cách giữa các điện cực từ 0,7 đến 0,8 mm.
	Bu-gi bị hỏng.	Lắp phích cắm mới, có khoảng cách đúng: tham khảo TÀI LIỆU HƯỚNG DẪN SỬ DỤNG ĐỘNG CƠ.
	Bộ chế hoà khí bị ngập dầu.	Tháo lõi lọc gió và kéo dây khởi động liên tục cho đến khi bộ chế hoà khí sạch và lắp lõi lọc gió vào.
	Mô đun đánh lửa bị hỏng.	Liên hệ với đại lý dịch vụ.
Động cơ khó khởi động hoặc mất điện.	Bụi bẩn, nước hoặc bình nhiên liệu bị hỏng.	Tháo nhiên liệu và làm sạch bình chứa. Đổ nhiên liệu sạch, mới vào bình chứa.
	Lỗ thông gió trong nắp bình nhiên liệu bị bít kín.	Làm sạch hoặc thay nắp bình nhiên liệu.
	Lỗi lọc gió bẩn.	Làm sạch lõi lọc gió.
Động cơ vận hành thất thường.	Bu-gi bị hỏng.	Lắp phích cắm mới, có khoảng cách đúng: tham khảo TÀI LIỆU HƯỚNG DẪN SỬ DỤNG ĐỘNG CƠ.
	Khoảng cách bu-gi không đúng.	Đặt khoảng cách giữa các điện cực từ 0,7 đến 0,8 mm.
	Lỗi lọc gió bẩn.	Làm sạch lõi lọc gió: tham khảo TÀI LIỆU HƯỚNG DẪN SỬ DỤNG ĐỘNG CƠ.
Động cơ chạy không tải kém.	Lỗi lọc gió bẩn.	Làm sạch lõi lọc gió: tham khảo TÀI LIỆU HƯỚNG DẪN SỬ DỤNG ĐỘNG CƠ.
	Khe gió trong tấm che động cơ bị tắc.	Loại bỏ mảnh vụn khỏi khe.
	Đường khí làm mát và cánh tản nhiệt trong vỏ động cơ của máy thổi khí bị tắc.	Loại bỏ mảnh vụn khỏi đường khí làm mát và cánh tản nhiệt.
Động cơ đạt đến tốc độ cao.	Khoảng cách giữa các cực của bu-gi quá gần.	Đặt khoảng cách giữa các điện cực từ 0,7 đến 0,8 mm.
Động cơ quá nhiệt.	Dòng khí làm mát bị hạn chế.	Loại bỏ bất kỳ mảnh vụn nào khỏi các khe trong tấm che, vỏ máy thổi khí, đường khí.
	Bu-gi không đúng.	Lắp bu-gi và cánh tản nhiệt lên động cơ.
Máy cắt cỏ rung bất thường.	Bộ phận cắt bị lỏng.	Siết lưỡi cắt.
	Bộ phận cắt không cân bằng.	Cân bằng lưỡi cắt.

13. MÔI TRƯỜNG

Nếu bạn cần thay máy sau quá trình sử dụng dài hạn, không để máy ở khu vực rác thải sinh hoạt mà hãy tiêu hủy máy theo cách an toàn thân thiện với môi trường.

คำอธิบายเกี่ยวกับมุมมองทั่วไป

- | | | |
|--|---------------------------|-------------------------------------|
| 1. มือจับควบคุมการเบรก | 12. บานพับด้านข้าง | 23. แหวน |
| 2. มือจับด้านบน | 13. ตัวเครื่อง | 24. ลูกบิดลิ้นค |
| 3. มือจับควบคุมการขับเคลื่อนด้วยตัวเอง | 14. หัวเทียน | 25. น็อตล็อก |
| 4. ก้านใช้ค | 15. ฝาปิดถังน้ำมันเครื่อง | 26. เฟืองปรับมุม |
| 5. คันสตาร์ท | 16. ฝาปิดถังน้ำมัน | 27. ปุ่ม |
| 6. ตัวนำเชือก | 17. แคลมปียึดสายเคเบิล | 28. ฝาปิด/ก้านวัดระดับน้ำมันเครื่อง |
| 7. ก้านล็อก | 18. แหวนยึดสายเคเบิล | 29. สูงสุด: ซัดบน |
| 8. มือจับด้านล่าง | 19. ก้านปรับความเร็ว | 30. ต่ำสุด: ซัดล่าง |
| 9. กล้องเก็บหญ้า | 20. ลิ้มคลุมดิน | 31. สกรู |
| 10. ก้านปรับความสูง | 21. ตัวแจ้งระดับ | 32. แถบ |
| 11. ช่องระบายด้านข้าง | 22. โบลต์ | 33. กลไกการล็อก |



คำเตือน:

เพื่อความปลอดภัยของตัวเอง โปรดอ่านคู่มือฉบับนี้ก่อนที่จะพยายามใช้งานเครื่องใหม่ของคุณ การไม่ปฏิบัติตามคำแนะนำอาจทำให้เกิดการบาดเจ็บร้ายแรงได้ ใช้เวลาเล็กน้อยทำความเข้าใจกับคู่มือนี้ไว้ในที่ซึ่งปลอดภัย เพื่อให้มีข้อมูลพร้อมใช้งานอยู่เสมอ หากคุณมอบเครื่องนี้ให้แก่ผู้อื่น ควรมอบคำแนะนำการใช้งานเหล่านี้รวมทั้งข้อกำหนดด้านความปลอดภัยให้ไปด้วย

จุดประสงค์ในการใช้งาน

ควรใช้งานเครื่องนี้กับงานที่ออกแบบมาเพื่อรองรับกับการใช้งานเท่านั้น การใช้งานรูปแบบอื่นนอกจากนี้จะเป็นการใช้งานที่ผิดวัตถุประสงค์ ผู้ใช้/ผู้ควบคุมเครื่องแต่ไม่รวมถึงผู้ผลิตจะต้องรับผิดชอบต่อความเสียหายหรือการบาดเจ็บใดๆ ที่มีสาเหตุจากการใช้งานที่ผิดวัตถุประสงค์ดังกล่าว

เครื่องตัดหญ้าแบบนี้มีวัตถุประสงค์เพื่อการใช้งานส่วนบุคคล เช่น เพื่อการใช้งานในสภาพแวดล้อมภายในบ้านและสวน การใช้งานส่วนบุคคลของเครื่องตัดหญ้านี้หมายความว่ามีการใช้งานในแต่ละปีโดยทั่วไปไม่เกิน 50 ชั่วโมง ในช่วงเวลาดังกล่าวจะต้องเป็นการใช้งานเครื่องในการดูแลรักษาสนามหญ้าพื้นที่ขนาดเล็ก ภายใต้อาคารที่ล้อมรอบของบ้าน/สวนที่เป็นงานอดิเรกเป็นหลัก ไม่รวมถึงสถานที่สาธารณะ สนามกีฬาและการใช้งานในด้านการเกษตร/ปศุสัตว์

โปรดสังเกตว่าอุปกรณ์เครื่องใช้ของเราไม่ได้ออกแบบมาเพื่อการใช้งานในเชิงพาณิชย์ การค้าหรืออุตสาหกรรม การรับประกันจะสิ้นสุดหากนำเครื่องไปใช้ในเชิงพาณิชย์ การค้าหรือธุรกิจ อุตสาหกรรมหรือเพื่อวัตถุประสงค์อื่นในลักษณะที่คล้ายกัน ต้องเก็บรักษาคำแนะนำการใช้งานที่ทางผู้ผลิตจัดไว้ให้และใช้เป็นข้อมูลอ้างอิงเพื่อให้แน่ใจว่าได้มีการใช้งานและบำรุงรักษาเครื่องตัดหญ้าอย่างถูกต้อง คำแนะนำนี้ประกอบด้วยข้อมูลที่มี

ประโยชน์ต่อการใช้งาน การบำรุงรักษาตลอดจนเงื่อนไขการให้บริการ

ข้อสำคัญ! เนื่องจากมีความเสี่ยงสูงที่จะเกิดการบาดเจ็บต่อร่างกายของผู้ใช้ จึงไม่ควรใช้เครื่องตัดหญ้าเพื่อตัดแต่งพุ่มไม้ ต้นไม้เดี่ยวๆ หรือต้นไม้ขนาดเล็ก เพื่อตัดต้นไม้ที่ปลูกเป็นชั้นบันไดหลังคามุงต้นไม้หรือหญ้าที่ปลูกบริเวณระเบียง เพื่อทำความสะอาด (ดู) ผู้คนและเศษขยะบริเวณทางเดินหรือเพื่อตัดต้นไม้เป็นท่อนหรือตัดเล็มพุ่มไม้ นอกจากนี้ ยังไม่ควรใช้เครื่องตัดหญ้าเป็นเครื่องพรวนดินเพื่อปรับระดับพื้นดินที่สูงให้ราบเสมอกัน เช่น เนินดิน

เพื่อเหตุผลด้านความปลอดภัย ไม่ควรใช้เครื่องตัดหญ้าเป็นเครื่องยนต์ขับเคลื่อนสำหรับเครื่องมือใช้งานอื่นๆ หรือเครื่องมือช่างประเภทต่างๆ

1. สัญลักษณ์ที่ปรากฏอยู่บนผลิตภัณฑ์ (บริเวณฝาครอบด้านหลัง)



อ่านคู่มือผู้ใช้งาน



ห้ามไม่มีส่วนเกี่ยวข้องกับให้ออกห่าง



ระดับระดับมือและเท้าของผู้ใช้งานเพื่อหลีกเลี่ยงการบาดเจ็บ



น้ำมันเชื้อเพลิงเป็นสารไวไฟ อย่าให้อยู่ใกล้ไฟ
อย่าเติมน้ำมันเชื้อเพลิงในขณะที่เครื่องกำลังทำงาน



ไอเสียมีพิษ อย่าใช้งานในที่ปิด



เมื่อตัดหญ้า ให้สวมแว่นตาและใส่ที่อุดหูเพื่อป้องกัน
ตัวผู้ปฏิบัติงานเอง



เมื่อทำการซ่อมแซม โปรดนำหัวเทียนออก แล้วจึง
ซ่อมแซมเครื่องตามที่ระบุในคู่มือการปฏิบัติ



ข้อควรระวัง: เครื่องยนต์ร้อน

2. กฎเกณฑ์ด้านความปลอดภัยทั่วไป



คำเตือน: เมื่อมีการใช้งานเครื่องมือที่ใช้น้ำมัน ควรปฏิบัติตามข้อควรระวังด้านความปลอดภัยเบื้องต้น รวมถึงข้อควรระวังต่อไปนี้เสมอ ทั้งนี้เพื่อลดความเสี่ยงต่อการได้รับบาดเจ็บ และหรือความเสียหายต่ออุปกรณ์ อ่านคำแนะนำทั้งหมดก่อนการใช้งานผลิตภัณฑ์ และเก็บคำแนะนำเหล่านี้เอาไว้เพื่อใช้อ้างอิงในอนาคต



คำเตือน: เครื่องมือนี้ก่อให้เกิดสนามแม่เหล็กไฟฟ้าระหว่างการทำงาน สนามแม่เหล็กนี้อาจส่งสัญญาณรบกวนต่ออุปกรณ์ทางการแพทย์ที่ฝังอยู่ในร่างกายที่มีหรือไม่มีปฏิกิริยาตอบสนอง เพื่อลดความเสี่ยงของการได้รับบาดเจ็บอย่างร้ายแรงหรือถึงขั้นเสียชีวิต เราขอแนะนำให้บุคคลที่มีอุปกรณ์ทางการแพทย์ฝังอยู่ในร่างกายปรึกษาแพทย์และผู้ผลิตอุปกรณ์ดังกล่าวก่อนการใช้งานเครื่องมือนี้

การฝึกอบรม

- อ่านคำแนะนำอย่างละเอียด ทำความคุ้นเคยกับระบบควบคุมและใช้งานเครื่องอย่างถูกต้อง เรียนรู้วิธีการดับเครื่องยนต์อย่างรวดเร็ว
- ใช้เครื่องตัดหญ้าตามวัตถุประสงค์ที่เครื่องได้รับการออกแบบมาเท่านั้น เช่น เพื่อการตัดหญ้าและเก็บรวบรวมเศษหญ้า

การใช้งานในลักษณะอื่นนอกเหนือจากนี้อาจทำให้เกิดอันตรายหรือทำให้เครื่องชำรุดเสียหายได้ ตัวอย่างการใช้งานที่ไม่ถูกต้องอาจรวมถึง แต่ไม่จำกัดเฉพาะรายการต่อไปนี้

- การใช้เครื่องในการขนส่งผู้คน เด็ก หรือสัตว์ต่างๆ
- การขนส่งด้วยเครื่อง
- การใช้เครื่องเพื่อลากหรือดันสิ่งของหนัก
- การใช้เครื่องเพื่อเก็บรวบรวมใบไม้หรือเศษขยะ
- การใช้เครื่องเพื่อตัดแต่งภูมิไม้ หรือเพื่อตัดต้นไม้ประเภทอื่นนอกเหนือจากหญ้า
- การใช้เครื่องโดยคนมากกว่าหนึ่งคน
- การใช้ใบมีดตัดหญ้าบนพื้นผิวอื่นนอกเหนือจากหญ้า
- อย่าให้เด็กหรือผู้ที่ไม่คุ้นเคยกับคำแนะนำเหล่านี้ใช้งานเครื่องตัดหญ้า กฎระเบียบในแต่ละประเทศอาจจำกัดอายุของผู้ใช้เครื่อง
- ห้ามใช้งานเครื่องตัดหญ้าในกรณีต่อไปนี้
 - เมื่อมีผู้คน โดยเฉพาะเด็กๆ หรือสัตว์เลี้ยงอยู่ใกล้ๆ
 - ในกรณีที่ผู้ใช้ใช้งานรับประทานยาหรือสารต่างๆ ที่อาจส่งผลต่อความสามารถในการตอบสนองและการมีสมาธิของผู้ใช้งาน
- ระวังไว้เสมอว่าผู้ควบคุมเครื่องหรือผู้ใช้เป็นผู้รับผิดชอบอุบัติเหตุหรืออันตรายที่เกิดขึ้นกับบุคคลอื่นหรือทรัพย์สินของบุคคลอื่น
- ผู้ใช้เครื่องต้องผ่านการฝึกอบรมการใช้งาน การปรับแต่งและการควบคุมเครื่อง รวมถึงข้อห้ามในการใช้งานมาเป็นอย่างดี

การเตรียมตัว

- ในระหว่างตัดหญ้า ควรสวมรองเท้าป้องกันและกางเกงขายาวเสมอ อย่าใช้งานอุปกรณ์ด้วยเท้าเปล่าหรือเมื่อสวมรองเท้าแบบเปิดเท้า
- ตรวจสอบบริเวณที่จะใช้งานเครื่องตัดหญ้าให้ทั่วถึง และนำสิ่งของทั้งหมดที่อาจถูกเครื่องเหวี่ยงออกจากบริเวณดังกล่าว เช่น ก้อนหิน ของเล่น กิ่งไม้และเส้นลวด
- คำเตือน - น้ำมันเป็นสารไวไฟสูง
 - เก็บรักษาน้ำมันเชื้อเพลิงในภาชนะที่ถูกออกแบบมาสำหรับเก็บโดยเฉพาะ;
 - เติมน้ำมันในที่โล่งเท่านั้น และอย่าสูบบุหรี่ในขณะที่เติมน้ำมันเชื้อเพลิง;
 - เติมน้ำมันเชื้อเพลิงก่อนสตาร์ทเครื่องยนต์ อย่าถอดฝาถังน้ำมันเชื้อเพลิงออก หรือเติมน้ำมันในขณะที่เครื่องยนต์กำลังทำงานอยู่ หรือเมื่อเครื่องยนต์ร้อน;
 - หากน้ำมันหกหยด อย่าสตาร์ทเครื่องยนต์ ให้ย้ายเครื่องออกจากพื้นที่ที่หก และหลีกเลี่ยงการก่อประกายไฟจนกว่าไอระเหยของเชื้อเพลิงจะกระจายไป;
 - เปลี่ยนถังกักน้ำมันเชื้อเพลิงทั้งหมดและปิดภาชนะด้วยความปลอดภัย
- เปลี่ยนเครื่องเก็บเสียงที่ชำรุด

- ก่อนใช้งาน ต้องตรวจดูว่าใบตัด, โบลต์ยึดใบตัด และชุดเครื่องตัดไม้สึกหรอหรือชำรุดเสียหาย เปลี่ยนใบตัดและโบลต์ที่สึกหรอหรือเสียหายยกชุด ทั้งนี้เพื่อให้มีความสมดุล
- ตรวจสอบอย่างสม่ำเสมอเพื่อให้แน่ใจว่าระบบอินเทอร์ล็อกการสตาร์ทเครื่อง และระบบตัดการทำงานอัตโนมัติเมื่อไม่มีการใช้งานทั้งหมดทำงานถูกต้อง

การทำงาน

- อย่าใช้งานเครื่องยนต์ในพื้นที่ที่อากาศที่ไอของคาร์บอน-มอนออกไซด์ที่มีอันตรายจะสะสมได้
- ห้ามใช้เครื่องในขณะที่อ่อนเพลีย เจ็บป่วยหรืออยู่ภายใต้อิทธิพลจากแอลกอฮอล์หรือยาอื่นๆ
- คำเตือน! ห้ามใช้เครื่องตัดหญ้าในกรณีที่มีความเสี่ยงจากการจุดติดไฟ
- ควรจำกัดช่วงเวลาในการใช้งาน เพื่อให้อันตรายจากเสียงรบกวนและการสั่นสะเทือนเกิดขึ้นน้อยที่สุด
- ใช้ความระมัดระวังในระหว่างใช้งานเครื่องตัดหญ้าบนทางลาดเอียงและบริเวณใกล้ทางลงที่ลาดชัน คุน้ำหรือคันดิน
- ตัดหญ้าในที่ที่มีแสงสว่างตอนกลางวัน หรือมีแสงไฟที่สว่างเพียงพอเท่านั้น
- หากเป็นไปได้ ควรหลีกเลี่ยงการใช้งานอุปกรณ์เพื่อตัดหญ้าที่เปียกและ
- ตรวจสอบท่าการยืนบนทางลาดเสมอ
- ให้เดิน อย่างช้าๆ
- สำหรับเครื่องยนต์แบบล้อหมุน ให้ตัดหญ้าตามพื้นผิวที่ลาดเอียง อย่ายกเครื่องขึ้นและลง
- ใช้ความระมัดระวังอย่างมากเมื่อทำการเปลี่ยนทิศทางการบนพื้นผิวที่ลาดเอียง
- อย่าตัดหญ้าบนพื้นผิวลาดเอียงที่มีความชันมากเกินไป
- ใช้ความระมัดระวังอย่างมากในขณะที่ถอยรถเข็นตัดหญ้ากลับหรือดึงรถเข็นตัดหญ้าเข้าหาตัวคุณ
- หยุดการทำงานของใบตัด หากต้องเอียงรถเข็นตัดหญ้าเมื่อทำการขนย้ายในขณะที่ข้ามทางที่ไม่ใช่หญ้า และเมื่อทำการขนย้ายรถเข็นตัดหญ้าระหว่างพื้นที่ที่จะตัดหญ้า
- อย่าใช้งานรถเข็นตัดหญ้าที่มีอุปกรณ์ป้องกันที่ชำรุด หรือไม่มีอุปกรณ์นิรภัยติดตั้งอยู่ เช่น แฝงกัน และ/หรือกล่องเก็บหญ้า
- ข้อควรระวัง: ต้องไม่ใช้งานเครื่องตัดหญ้าโดยไม่มีการคล้องสายยึดเหนี่ยวที่มีขีดหรือแผ่นป้องกันของพื้นหญ้าแบบปิดได้เองติดตั้งอยู่
- อย่าเปลี่ยนการตั้งค่าควบคุมเครื่องยนต์ หรือเร่งเครื่องยนต์จนความเร็วสูงเกิน
- ห้ามดัดแปลงหรือปรับเปลี่ยนการปรับแต่งต่างๆ ที่มีการซีลระบบไว้เพื่อควบคุมความเร็วรอบเครื่องยนต์
- ต้องไม่ปรับเปลี่ยนหรือปิดการทำงานคุณลักษณะหรือระบบความปลอดภัยของเครื่องตัดหญ้า
- ปลดใบตัดทุกใบและคลัตช์ก่อนสตาร์ทเครื่องยนต์

- สตาร์ทเครื่องขึ้นตัวอย่างระมัดระวังตามคำแนะนำ และวางเท้าให้อยู่ห่างจากใบตัด
- อย่าเอียงรถเข็นตัดหญ้าเมื่อสตาร์ทเครื่องยนต์
- อย่าสตาร์ทเครื่องยนต์ เมื่อยืนอยู่ข้างหน้าของระบบ
- อย่าให้มือและเท้าอยู่ใกล้หรือได้ชิ้นส่วนที่กำลังหมุนอยู่ อย่าให้มีสิ่งกีดขวางของระบบตลอดเวลา
- อย่ายกหรือแบกรถเข็นตัดหญ้าในขณะที่มอเตอร์กำลังทำงาน
- หยุดเครื่องยนต์และถอดสายหัวเทียนออก ตรวจสอบให้แน่ใจว่าส่วนที่เคลื่อนที่ทั้งหมด หยุดนิ่งแล้ว และถอดกุญแจออกจากช่องกุญแจ:
 - ก่อนนำสิ่งกีดขวางหรือสิ่งอุดตันออก
 - ก่อนทำการตรวจสอบ ทำความสะอาด หรือทำงานกับรถเข็นตัดหญ้า
 - หลังจากที่มีการกระทบกับวัตถุแปลกปลอม ตรวจสอบความปลอดภัยของรถเข็นตัดหญ้าและทำการซ่อมแซมก่อนเริ่มต้นใช้งานรถเข็นตัดหญ้าอีกครั้ง
 - หากรถเข็นตัดหญ้าเริ่มมีอาการสั่นผิดปกติ (ให้ตรวจสอบทันที)
- หยุดเครื่องยนต์และถอดสายหัวเทียนออก ตรวจสอบให้แน่ใจว่าส่วนที่เคลื่อนที่ทั้งหมด หยุดนิ่งแล้ว และถอดกุญแจออกจากช่องกุญแจ:
 - เมื่อใดก็ตามที่คุณออกห่างจากรถเข็นตัดหญ้า;
 - ก่อนการเติมน้ำมันเชื้อเพลิง
- ลดระดับคันเร่งในขณะที่เครื่องยนต์ปิดอยู่ และหากเครื่องยนต์มีวาล์วปิดตัวติดตั้งอยู่ ให้ปิดน้ำมันเชื้อเพลิงเมื่อตัดหญ้าเสร็จแล้ว
- ใช้เครื่องตัดหญ้าตามวัตถุประสงค์ที่เครื่องออกแบบมาเพื่อการตัดหญ้าและเก็บรวบรวมเศษหญ้าเท่านั้น การใช้งานในลักษณะอื่นนอกเหนือจากนี้อาจทำให้เกิดอันตรายหรือทำให้เครื่องชำรุดเสียหายได้

การดูแลรักษาและการเก็บรักษา

- ชันน็อต โบลต์ และสกรูทุกตัวให้แน่น เพื่อให้มั่นใจได้ว่าอุปกรณ์อยู่ในสภาพที่ปลอดภัยในการทำงาน
- อย่าเก็บรักษาอุปกรณ์ที่มีเชื้อเพลิงอยู่ในถังภายในอาคาร ในบริเวณที่ไอระเหยสามารถสัมผัสกับปลั๊กไฟหรือประกายไฟได้
- ปลดปล่อยให้เครื่องเย็นลงก่อนนำไปจัดเก็บในการจัดเก็บลักษณะต่างๆ ทำความสะอาดและบำรุงรักษาเครื่องตัดหญ้าก่อนจัดเก็บ
- เพื่อลดความเสี่ยงจากเพลิงไหม้ ให้เก็บรักษาเครื่องยนต์, เครื่องเก็บเสียง, ชิ้นส่วนของแบตเตอรี่ และเชื้อเพลิง ในพื้นที่ที่ไม่มีเศษหญ้า, ไม้ไผ่ หรือจาระบีรั่วไหล
- ตรวจสอบกล่องเก็บหญ้าบ่อยๆ เพื่อดูการสึกหรอหรือการเสื่อมสภาพ
- เปลี่ยนชิ้นส่วนที่สึกหรอหรือเสียหายเพื่อความปลอดภัย
- หากต้องถ่ายน้ำมันออกจากถังน้ำมัน ให้ทากำลังแจ้ง

- การบำรุงรักษาที่เหมาะสม การใช้ส่วนประกอบทดแทนที่ไม่เป็นไปตามข้อกำหนดหรือการถอดหรือการดัดแปลงส่วนประกอบเกี่ยวกับความปลอดภัยอาจทำให้เครื่องตัดหญ้าชำรุดเสียหายและอาจทำให้ผู้ใช้เครื่องเกิดการบาดเจ็บร้ายแรงได้
- ใช้เฉพาะใบมีดตัดหญ้าและชิ้นส่วนอะไหล่ตามที่ผู้ผลิตแนะนำเท่านั้น การใช้ชิ้นส่วนที่ไม่ใช่ของแท้จากทำให้เครื่องชำรุดเสียหายและทำให้ผู้ใช้เครื่องได้รับบาดเจ็บได้ หมั่นดูแลรักษาเครื่องตัดหญ้าให้อยู่ในสภาพการทำงานที่ดีอยู่เสมอ
- หากอุปกรณ์หยุดใบมีดตัดหญ้าไม่ทำงาน โปรดติดต่อศูนย์บริการเพื่อขอความช่วยเหลือ

- จับเครื่องบริเวณที่เป็นมือจับนิรภัย โดยคำนึงถึงน้ำหนักและการกระจายน้ำหนักของตัวเครื่อง
- ใช้จำนวนคนให้เหมาะสมกับน้ำหนักของเครื่อง และลักษณะของยานพาหนะหรือสถานที่ที่จะจัดวางหรือจัดเก็บเครื่อง
- ในระหว่างขนส่ง ให้ใช้เชือกหรือโซ่มัดเครื่องให้ไว้แน่น



คำเตือน: อย่าสัมผัสใบตัดที่หมุนอยู่



คำเตือน: เติมน้ำมันเชื้อเพลิงในพื้นที่ที่อากาศถ่ายเทสะดวกในขณะที่เครื่องยนต์หยุดอยู่

3. คำอธิบายส่วนประกอบ (ภาพที่ 1, ภาพที่ 2, ภาพที่ 3, ภาพที่ 4)

รวมถึง

A: ประแจขันหัวเทียน

การขนส่งและการขนย้าย

- เมื่อใดก็ตามที่มีการขนย้าย ยก ขนส่งหรือเอียงเครื่องตัดหญ้า คุณต้องดำเนินการดังนี้
 - สวมถุงมือทำงานที่แข็งแรงทนทาน

4. ข้อมูลทางเทคนิค

รุ่น	PLM4630N2	PLM4631N2	PLM4632N	PLM5130N
ชนิดของเครื่องยนต์	B&S 675EXi Series, ReadyStart	B&S 675EXi Series, ReadyStart	B&S 750EX Series, ReadyStart	B&S 750EX Series, ReadyStart
ระบบขับเคลื่อนด้วยตัวเอง	ไม่มี	มี	มี	มี
การกระจัดของเครื่องยนต์	163 ซม. ³	163 ซม. ³	161 ซม. ³	161 ซม. ³
กำลังไฟฟ้าจากการใช้งานจริง	2.6 กิโลวัตต์	2.6 กิโลวัตต์	2.5 กิโลวัตต์	2.5 กิโลวัตต์
ความกว้างของใบเลื่อย	460 มม.	460 มม.	460 มม.	510 มม.
ความเร็วพิกัด	2,800/นาที	2,800/นาที	2,800/นาที	2,800/นาที
ความจุของถังน้ำมันเชื้อเพลิง	1.0 ลิตร	1.0 ลิตร	1.0 ลิตร	1.0 ลิตร
ความจุของถังน้ำมันเครื่อง	0.47 ลิตร	0.47 ลิตร	0.6 ลิตร	0.6 ลิตร
ความจุของกล่องเก็บหญ้า	60 ลิตร	60 ลิตร	60 ลิตร	65 ลิตร
น้ำหนักสุทธิ	30 กก.	32.5 กก.	35 กก.	38 กก.
การปรับความสูง	25 - 70 มม., ปรับได้ 8 ระดับ	25 - 70 มม., ปรับได้ 8 ระดับ	25 - 70 มม., ปรับได้ 8 ระดับ	25 - 70 มม., ปรับได้ 8 ระดับ

5. การประกอบ

5-1 การประกอบมือจับแบบพับได้

1. ยึดมือจับด้านล่างเข้ากับตัวยึดมือจับด้วยโบลต์, แหวนรองและลูกบิดล็อก (ภาพที่ 5)
2. ยก้านล็อกทั้งสองขึ้นให้เชื่อมต่อกับมือจับด้านบนและด้านล่าง (ภาพที่ 6)
3. กดก้านล็อกให้ปิดเพื่อล็อกมือจับให้อยู่ในตำแหน่งใช้งาน (ภาพที่ 7)

4. ปรับความตึงโดยการหมุนน็อตล็อกด้วยประแจที่เหมาะสม (ภาพที่ 8)
5. จัดตำแหน่งสายเคเบิลให้อยู่เหนือด้ามมือจับ ใช้แคลมป์ยึดสายเคเบิลเพื่อยึดสายเคเบิลไว้ที่ตรงกลางของมือจับด้านล่าง และตรวจสอบให้แน่ใจว่าสายเคเบิลยึดติดอยู่ทางด้านนอกของมือจับ (ภาพที่ 9, ภาพที่ 10) มิฉะนั้น สายเคเบิลอาจถูกหนีบเมื่อเปิด/ปิดฝาปิดด้านล่าง

5-2 การปรับมุมที่เหมาะสม

- 1) ตั้งก้านลอคให้เปิดออก
- 2) หมุนมือจับด้านบนที่อยู่กึ่งกลางของเฟืองปรับมุม เพื่อปรับมุมที่เหมาะสมในช่วง -15° ถึง 15° (3 ตำแหน่ง: $-15^{\circ}/0^{\circ}/15^{\circ}$) ตามที่แสดงใน **ภาพที่ 11**
- 3) กดก้านลอคปิดเพื่อเชื่อมต่อมือจับด้านล่างกับมือจับด้านบน

5-3 การติดตั้งและการถอดกล่องเก็บหญ้า

1. การติดตั้ง: ยกฝาปิดด้านหลังขึ้นและเกี่ยวกล่องเก็บหญ้าเข้ากับด้านหลังของรถตัดหญ้า (**ภาพที่ 12, ภาพที่ 13, ภาพที่ 14**)
2. การถอด: จับฝาปิดด้านหลังและยกขึ้น ถอดกล่องเก็บหญ้าออก

5-4 คันสตาร์ท

เลื่อนคันสตาร์ทจากเครื่องยนต์ไปยังตัวนำเชือก (**ภาพที่ 15**)

5-5 ความสูงในการตัด

กดจากด้านบนออกเพื่อปลดยก้านออกจากราว เลื่อนก้านไปข้างหน้าหรือข้างหลังเพื่อปรับความสูง (**ภาพที่ 16 และดูหัวข้อ 7-9**)

6. การทำงาน

สามารถดัดแปลงการทำงานของรถตัดหญ้าจากการทำงานตามปกติได้ โดยขึ้นอยู่กับจุดประสงค์ในการประยุกต์ใช้งาน: จากรถเข็นตัดหญ้าพร้อมที่เก็บด้านหลัง เป็น:

1. เครื่องตัดหญ้าคลุมดิน หรือเป็น
2. เครื่องตัดหญ้าปล่อยออกด้านข้าง

การคลุมดินคืออะไร?

เมื่อทำการคลุมดิน หญ้าจะถูกตัดในชั้นตอนเดียว แล้วถูกลบละเอียดและปล่อยกลับไปบนแถบหญ้าเพื่อใช้เป็นปุ๋ยธรรมชาติ คำแนะนำสำหรับการตัดหญ้าคลุมดิน:

- โดยทั่วไป จะตัดหญ้าให้ยาวสูงสุด 2 ซม. จากความสูงของหญ้า 6 ซม. ถึง 4 ซม.
- ใช้มีดตัดที่คม
- อย่าตัดหญ้าเปียก
- ตั้งค่าเครื่องยนต์ที่ความเร็วสูงสุด
- เคลื่อนที่บนทางที่จะตัดเท่านั้น
- ทำความสะอาดลิมคลุมดิน, ตัวเครื่องด้านใน และใบตัดหญ้าเป็นระยะๆ

การเริ่มทำงาน

6-1 ดัดแปลงให้เป็นเครื่องตัดหญ้าคลุมดิน



คำเตือน: ทำในขณะที่เครื่องยนต์หยุดอยู่และใบตัดหยุดนิ่งเท่านั้น

1. ยกฝาปิดด้านหลังขึ้น แล้วถอดกล่องเก็บหญ้าออก
2. กดลิมคลุมดินลงไปในตัวเครื่อง ล็อคลิมคลุมดินพร้อมปุ่มลงไปในช่วงบนตัวเครื่อง (**ภาพที่ 17, ภาพที่ 18**)
3. ปล่อยฝาปิดด้านหลังลงอีกครั้ง (**ภาพที่ 19**)
4. ยกบานพับด้านข้างขึ้น แล้วถอดช่องระบายด้านข้างออก

6-2 ปรับให้เป็นการตัดหญ้าแบบปล่อยออกด้านข้าง



เมื่อมอเตอร์และใบตัดหยุดนิ่งเท่านั้น!

1. ยกฝาปิดด้านหลังขึ้น แล้วถอดกล่องเก็บหญ้าออก
2. ติดตั้งลิมคลุมดิน
3. ปลดลอคกลไกการลอค (**ภาพที่ 20A**)
4. ยกบานพับด้านข้างขึ้นสำหรับปล่อยออกด้านข้าง (**ภาพที่ 20B**)
5. ติดตั้งช่องระบายด้านข้างสำหรับการปล่อยออกด้านข้างบนหมุดรองรับบานพับด้านข้าง (**ภาพที่ 21**)
6. ปล่อยบานพับด้านข้างลง - บานพับจะวางอยู่บนช่องระบายด้านข้าง (**ภาพที่ 22**)

6-3 เครื่องตัดหญ้าพร้อมกล่องเก็บหญ้า



คำเตือน: ทำในขณะที่เครื่องยนต์หยุดทำงาน และใบตัดหยุดนิ่งแล้ว สำหรับเครื่องตัดหญ้าพร้อมกล่องเก็บหญ้า ให้ถอดลิมคลุมดินและช่องระบายสำหรับการปล่อยออกด้านข้างออก แล้วติดตั้งกล่องเก็บหญ้า

1. การถอดลิมคลุมดิน
 - ยกฝาปิดด้านหลังขึ้น แล้วถอดลิมคลุมดินออก
2. ถอดช่องระบายด้านข้างสำหรับการปล่อยด้านข้างออก
 - ยกบานพับด้านข้างขึ้น แล้วถอดช่องระบายด้านข้างออก
 - บานพับด้านข้างจะปิดช่องสำหรับการปล่อยบนตัวเรือนโดยอัตโนมัติด้วยแรงสปริง
 - ทำความสะอาดหญ้าและเศษดินที่ติดอยู่กับบานพับด้านข้างและช่องสำหรับปล่อยเป็นระยะๆ
3. ติดตั้งกล่องเก็บหญ้า
 - การติดตั้ง: ยกฝาปิดด้านหลังขึ้นและเกี่ยวกล่องเก็บหญ้าเข้ากับด้านหลังของรถตัดหญ้า
 - การถอด: จับฝาปิดด้านหลังและยกขึ้น ถอดกล่องเก็บหญ้าออก

7. คำแนะนำในการปฏิบัติงาน

7-1 ก่อนสตาร์ทเครื่อง

ตรวจสอบน้ำมันเบนซินและน้ำมันเครื่องของเครื่องยนต์ตามที่แนะนำไว้ในคู่มือเครื่องยนต์ที่จัดทำไว้แยกต่างหากที่เก็บไว้ในเครื่องตัดหญ้าของคุณ อ่านคำแนะนำอย่างละเอียด (ภาพที่ 23, ภาพที่ 24, ภาพที่ 25, ภาพที่ 26)



คำเตือน: น้ำมันเป็นสารไวไฟสูง

เก็บรักษาน้ำมันเชื้อเพลิงในภาชนะที่ถูกออกแบบมาสำหรับเก็บโดยเฉพาะ

เติมน้ำมันกลางแจ้งเท่านั้น โดยต้องทำก่อนสตาร์ทเครื่องยนต์และอย่าสูบบุหรี่ในขณะที่เติมน้ำมันหรือจัดการกับน้ำมันเชื้อเพลิง อย่าถอดฝาถังน้ำมันเชื้อเพลิงออก หรือเติมน้ำมันในขณะที่เครื่องยนต์กำลังทำงานอยู่ หรือเมื่อเครื่องยนต์ร้อน หากน้ำมันหกหยด อย่าสตาร์ทเครื่องยนต์ ให้ย้ายเครื่องออกจากพื้นที่ที่หก และหลีกเลี่ยงการกอบประกายไฟจนกว่าไอระเหยของเชื้อเพลิงจะกระจายไป

เปลี่ยนถังน้ำมันเชื้อเพลิงทั้งหมดและฝาปิดภาชนะด้วยความปลอดภัย

ถ่ายน้ำมันเชื้อเพลิงออกจากถังก่อนที่จะเรียงรถเข็นตัดหญ้าเพื่อซ่อมแซมใบตัดหรือระบายน้ำมันเครื่อง



คำเตือน: อย่าเติมน้ำมันเชื้อเพลิงในร่ม ในขณะที่เครื่องยนต์กำลังทำงานอยู่ หรือจนกว่าเครื่องยนต์จะถูกปล่อยให้เย็นอย่างน้อย 15 นาที หลังจากการทำงาน

7-2 การสตาร์ทเครื่องและใช้งานใบตัด

1. เครื่องที่ติดตั้งบูทยางเหนือปลายของหัวเทียน ตรวจสอบให้แน่ใจว่าขั้วของโลหะที่ปลายของสายหัวเทียน (ภายในบูทยาง) แน่นดีแล้ว โดยขันเหนือปลายโลหะบนหัวเทียน
2. เมื่อสตาร์ทเครื่องยนต์ที่เย็นหรืออุ่น ให้หมุนก้านใช้ไปตำแหน่งใดก็ได้ระหว่าง "☞" และ "☜"
เมื่อใช้งาน ให้หมุนก้านใช้ไปตำแหน่ง "☜" (ภาพที่ 27)
3. ยืนอยู่ด้านหลังเครื่อง กำมือจับควบคุมเบรกเอาไว้กับมือจับด้านบน ดังที่แสดงในภาพที่ 28
4. กำมือจับสตาร์ทเครื่องเอาไว้ดังที่แสดงใน ภาพที่ 28 แล้วดึงขึ้นโดยเร็ว หลังจากທີ່เครื่องยนต์ติดแล้ว ให้ค่อยๆ ปล่อยคัตไปยังโบลต์ของตัวนำเชือก

ปล่อยมือจับควบคุมเบรกเพื่อหยุดเครื่องยนต์และใบตัด



สตาร์ทเครื่องยนต์อย่างระมัดระวังตามคำแนะนำ และวางเท้าให้อยู่ห่างจากใบตัด



อย่าเอียงรถเข็นตัดหญ้าเมื่อสตาร์ทเครื่องยนต์ สตาร์ทเครื่องตัดหญ้าบนพื้นผิวที่ได้ระนาบ ไม่มีหญ้าสูงหรือสิ่งกีดขวาง



ระวังให้มือและเท้าอยู่ห่างจากใบตัดที่กำลังหมุนอยู่ อย่าสตาร์ทเครื่องยนต์ เมื่อยืนอยู่ข้างหน้าของระบายน

7-3 ขั้นตอนการใช้งาน

ระหว่างการทำงานให้จับคันเบรกให้กระชับด้วยมือทั้งสองข้าง



หมายเหตุ: ในขณะทำงาน เมื่อปลดคันเบรก เครื่องยนต์จะหยุด และจะหยุดการทำงานของรถเข็นตัดหญ้า



คำเตือน: เพื่อป้องกันการสตาร์ทเครื่องตัดหญ้าโดยไม่ตั้งใจ จึงได้มีการติดตั้งระบบเบรกด้วยเครื่องยนต์ ซึ่งต้องดึงขึ้นก่อน จึงจะสตาร์ทเครื่องยนต์ได้ เมื่อปลดคันเบรกเครื่องยนต์ ต้องให้คันเบรกกลับคืนสู่ตำแหน่งเริ่มต้น ซึ่งในตำแหน่งนั้นเครื่องยนต์จะดับโดยอัตโนมัติ



หมายเหตุ: ระบบเบรกด้วยเครื่องยนต์ (เบรกมือ): ใช้คันเบรกนี้เพื่อให้เครื่องยนต์หยุดทำงาน เมื่อคุณปลดคันเบรกเครื่องยนต์และใบมีดตัดหญ้าจะหยุดทำงานโดยอัตโนมัติ หากต้องการตัดหญ้า ให้ดึงคันเบรกไปที่ตำแหน่งทำงาน ก่อนที่จะเริ่มตัดหญ้า ให้ตรวจสอบคันควบคุม เริ่ม/หยุด หลายๆ ครั้งเพื่อให้แน่ใจว่าทำงานถูกต้อง ตรวจสอบให้แน่ใจว่าสายเบรกยังทำงานได้เป็นอย่างดี (เช่น ไม่ได้พันกันหรือบิดงอแต่อย่างใด)

7-4 การหยุดเครื่องยนต์



ข้อควรระวัง: หลังจากທີ່เครื่องยนต์หยุดแล้ว ใบตัดจะยังคงหมุนต่อไปอีก 2-3 วินาที

1. ปล่อยมือจับควบคุมเบรกเพื่อหยุดเครื่องยนต์และใบตัด (ภาพที่ 29)
2. ถอดสายหัวเทียนและต่อลงดินตามคำแนะนำที่อยู่ในคู่มือเครื่องยนต์ที่จัดทำแยกต่างหาก เพื่อป้องกันการสตาร์ทโดยไม่ตั้งใจในขณะที่อุปกรณ์ไม่ได้อยู่ในการดูแล

7-5 การเชื่อมต่อสำหรับการเคลื่อนที่อัตโนมัติ

สำหรับ PLM4631N2

จับมือจับควบคุมการขับเคลื่อนด้วยตัวเอง รถเข็นตัดหญ้าจะเคลื่อนที่ไปข้างหน้าโดยอัตโนมัติด้วยความเร็วประมาณ 3.6 กม./ชม. (ภาพที่ 30) หากคุณปล่อยมือจับขับเคลื่อนด้วยตัวเอง รถเข็นตัดหญ้าจะหยุดเคลื่อนที่

สำหรับ PLM4632N, PLM5130N

เครื่องตัดหญ้าจะติดตั้งระบบการปรับความเร็ว ซึ่งสามารถปรับความเร็วได้ 3 ระดับ ตั้งแต่ 3.0 กม./ชม. ถึง 4.5 กม./ชม.

ตำแหน่ง "☉": ตำแหน่งช้าสุด; ตำแหน่ง "☼": ตำแหน่งเร็วสุด

(ภาพที่ 31)

ขั้นตอน:

1. ปลอยมือจับควบคุมการขับเคลื่อนด้วยตัวเองจนกว่ารถเข็นตัดหญ้าจะไม่เคลื่อนที่ไปข้างหน้า
2. ปรับความเร็วให้เหมาะสมตามต้องการ (ภาพที่ 31)
3. กำมือจับควบคุมการขับเคลื่อนด้วยตัวเองเพื่อตัดหญ้าต่อไป (ภาพที่ 30)



ข้อควรระวัง: เครื่องตัดหญ้าของคุณถูกออกแบบมาเพื่อตัดหญ้าให้เหลือความสูงไม่เกิน 250 มม.

อย่าใช้ตัดหญ้าผ่านหญ้าที่ไม่ปกคลุมที่สูงหรือเปียก (เช่น หญ้าสำหรับให้สัตว์กิน) หรือกองใบไม้แห้ง เศษวัสดุอาจจก่อกวนบนตัวถังเครื่องตัดหญ้าได้ หรือติดกับช่องไอเสียของเครื่องยนต์ ซึ่งอาจทำให้เกิดอันตรายจากไฟได้

7-6 เพื่อผลลัพธ์ที่ดีเมื่อตัดหญ้า

กำจัดเศษวัสดุบนสนาม ตรวจสอบให้แน่ใจว่าสนามหญ้าไม่มีหิน, กิ่งไม้, สายไฟ หรือวัตถุแปลกปลอมที่อาจจะถูกเหวี่ยงออกจากเครื่องตัดหญ้าโดยไม่ตั้งใจ ในทิศทางใดก็ได้ และเป็นสาเหตุให้เกิดการบาดเจ็บรุนแรงแก่ผู้ใช้งานและผู้อื่นได้ และทำให้ความเสียหายแก่ทรัพย์สินและวัตถุโดยรอบได้ อย่าตัดหญ้าเปียก เพื่อประสิทธิภาพการตัดหญ้าที่ดี อย่าตัดหญ้าเปียกเพราะหญ้าจะติดกับด้านล่างของตัวเครื่อง ทำให้การตัดหญ้าทำได้ไม่เหมาะสม ดัดอโยให้เกิน 1/3 ของความยาวของหญ้า การตัดหญ้าที่แนะนำ ให้ตัดอโยให้เกิน 1/3 ของความยาวของหญ้า ต้องปรับความเร็วบนพื้นดินเพื่อให้การเลี้ยวสามารถทำได้อย่างทั่วถึงทั่วสนามหญ้า สำหรับการตัดอย่างหนักหน่วงเป็นพิเศษในบริเวณหญ้าหนา อาจจะต้องใช้ความเร็วต่ำสุดเพื่อให้ได้รอยตัดที่ดี เมื่อตัดหญ้าที่ยาว คุณอาจจะต้องตัดหญ้าสองรอบ ลดระดับของใบตัดอีก 1/3 ของความยาว สำหรับการตัดครั้งที่สอง และอาจจะต้องในรูปแบบที่ต่างจากที่ใช้ในรอบแรก การตัดเหลื่อมกันเล็กน้อยในแต่ละรอบจะช่วยให้ตัดหญ้าในส่วนที่หลงเหลืออยู่บนสนามได้ ควรใช้เครื่องตัดหญ้าที่ระดับคั่นสูงที่สุดเสมอ เพื่อให้ได้การตัดที่ดีและมีประสิทธิภาพสูงสุด ทำความสะอาดด้านล่างของตัวเครื่อง หลังจากการใช้งานแต่ละครั้ง ควรทำความสะอาดด้านล่างของตัวเครื่องตัด เพื่อหลีกเลี่ยงการสะสมของหญ้า ซึ่งจะทำให้การคลุมดินไม่ดี การตัดใบไม้ การตัดใบไม้ยังเป็นผลดีต่อสนามหญ้าของคุณ เมื่อจะตัดใบไม้ ให้ตรวจสอบให้แน่ใจว่าใบไม้แห้งและไม่ติดกับคมจนหนานบนสนาม ยารอจนกระทั่งใบไม้ร่วงจากต้นจนหมดก่อนที่คุณจะตัด



คำเตือน: หากคุณชนกับวัตถุแปลกปลอม ใหหยุดเครื่องยนต์ ถอดสายไฟออกจากหัวเทียน ตรวจสอบเครื่องตัดหญ้าให้ทั่วเพื่อหาความเสียหายแล้วซ่อมแซมความเสียหายก่อนสตาร์ทเครื่องและใช้งานเครื่องตัดอีกครั้ง การสิ้นเปลืองที่รุนแรงของเครื่องตัดหญ้าในขณะที่ทำงานเป็นสัญญาณแจ้งว่ามีความเสียหายเกิดขึ้น ควรตรวจสอบและซ่อมแซมเครื่องทันที

7-7 กล้องเก็บหญ้า

ที่ด้านบนของกล้องเก็บหญ้าจะมีตัวแจ้งระดับ ซึ่งจะแสดงให้ทราบว่างล่องว่างเปล่าหรือเต็ม (ภาพที่ 32, ภาพที่ 33):

- หากกล้องยังไม่เต็มในระหว่างที่เคลื่อนที่ ตัวแจ้งระดับจะขยายออก (ภาพที่ 33)
- หากที่เก็บเต็ม ตัวแจ้งระดับจะพับลง; ใหหยุดเคลื่อนที่ทันทีแล้วเทหญ้าทิ้ง ตรวจสอบว่างล่องเก็บสะอาดดีแล้วและตะแคงระบายอากาศใ้ปลอดตัน (ภาพที่ 32)

ข้อสำคัญ

หากช่องของตัวแสดงสกปรกมาก ตัวแสดงจะไม่ลอยขึ้น - ในกรณีนี้ให้ทำความสะอาดช่องทันที

7-8 ตัวเครื่อง

ควรทำความสะอาดด้านล่างของตัวเครื่องตัดหญ้าทุกครั้งหลังการใช้งานเสร็จ เพื่อป้องกันการสะสมของเศษหญ้า, ใบไม้, เศษดินหรือวัตถุอื่นๆ หากเศษเหล่านี้สะสมขึ้น จะทำให้เกิดสนิมและผุกร่อน และทำให้การคลุมดินทำได้ไม่ดี สามารถทำความสะอาดตัวเครื่องได้โดยการเอียงเครื่องตัดหญ้าและใช้เครื่องมือที่เหมาะสม ชุดเศษค้ำงออก (ทำในขณะที่ปลดสายไฟหัวเทียนแล้ว)

7-9 คำแนะนำในการปรับความเร็ว



ข้อควรระวัง: อย่าปรับค่าใดๆ ของรถเข็นตัดหญ้าโดยที่ยังไม่ได้หยุดเครื่องยนต์และปลดสายไฟหัวเทียนออก



ข้อควรระวัง: ก่อนเปลี่ยนระดับความเร็วในการตัดหญ้า ใหหยุดเครื่องตัดหญ้าและปลดสายไฟหัวเทียนออก

เครื่องตัดหญ้าของคุณจะติดตั้งก้านปรับความเร็วตรงกลางซึ่งสามารถปรับความเร็วได้ 8 ตำแหน่ง

คุณสามารถปรับความเร็ว (ระยะห่างระหว่างใบตัดกับพื้น) ได้ตั้งแต่ 25 มม. จนถึง 70 มม. โดยปรับความเร็วได้ 8 ระดับ (ภาพที่ 34) ความสูงระดับต่ำสุด: 25 มม. (ตำแหน่ง 1), ความสูงระดับสูงสุด: 70 มม. (ตำแหน่ง 8)

1. หยุดเครื่องตัดหญ้าและปลดสายไฟหัวเทียนก่อนเปลี่ยนความเร็วในการตัดของเครื่องตัดหญ้า

2. ก้านปรับความสูงตรงกลางจะช่วยให้คุณสามารถปรับความสูงได้ 8 ระดับ (ภาพที่ 34)

หากต้องการเปลี่ยนความสูงในการตัด ให้บีบก้านปรับไปทางล้อเลื่อนขึ้นหรือเลื่อนลงเพื่อเลื่อนไปยังความสูงที่เลือก

8. คำแนะนำในการดูแลรักษาเครื่อง

หัวเทียน

ใช้หัวเทียนอะไหล่ของแท้เท่านั้น เพื่อให้ได้ผลลัพธ์ที่ดีที่สุด ควรเปลี่ยนหัวเทียนทุกครั้งที่ใช้จำนวน 100 ชั่วโมง

ผ้าเบรก

หมั่นตรวจสอบและ/หรือเปลี่ยนผ้าเบรกของเครื่องยนต์ที่ศูนย์บริการเป็นประจำ การเปลี่ยนชิ้นส่วนอุปกรณ์ควรใช้เฉพาะชิ้นส่วนอะไหล่ที่เป็นของแท้เท่านั้น

9. คำแนะนำในการหล่อลื่น



ข้อควรระวัง: ถอดหัวเทียนออกก่อนทำการตรวจสอบ

1. ล้อ - หล่อลื่นลูกปืนในแต่ละล้ออย่างน้อยหนึ่งครั้ง ในหนึ่งฤดูกาลด้วยน้ำมันใส
2. เครื่องยนต์ - ปฏิบัติตามคำแนะนำในการหล่อลื่นในคู่มือของเครื่องยนต์

10. การทำความสะอาด



ข้อควรระวัง: อย่าฉีดน้ำใส่เครื่องยนต์ น้ำสามารถทำให้เครื่องยนต์เสียหาย หรือปนเปื้อนในระบบน้ำมันเชื้อเพลิงได้

1. ให้เช็ดตัวเครื่องด้วยผ้าแห้ง
2. ฉีดน้ำที่ใต้ตัวเครื่องโดยการเอียงเครื่องตัดหญ้าเพื่อให้หัวเทียนอยู่ด้านบน

10-1 กรองอากาศเครื่องยนต์



ข้อควรระวัง: อย่าให้เศษดินหรือฝุ่นอุดตันไส้กรองโฟม ต้องตรวจสอบ (ทำความสะอาด) ไส้กรองอากาศของเครื่องยนต์หลังจากการตัดหญ้าตามปกติ 25 ชั่วโมง หากใช้งานเครื่องตัดหญ้าในสภาพที่แห้งและมีฝุ่น ต้องทำความสะอาดไส้กรองโฟมเป็นระยะๆ

การทำความสะอาดกรองอากาศ

1. ถอดสกรูออก (ภาพที่ 35 สำหรับ PLM4632N และ PLM5130N)
2. ยกแถบบนฝาครอบไส้กรองขึ้น (ภาพที่ 36 สำหรับ PLM4630N2 และ PLM4631N2)
3. ถอดฝาครอบไส้กรองออก
4. ล้างไส้กรองด้วยน้ำสบู่ อย่าใช้น้ำมันเบนซิน!
5. เป่าไส้กรองให้แห้ง
6. หยอดน้ำมัน SAE30 สองสามหยดลงบนไส้กรองโฟม แล้วบีบเพื่อขจัดน้ำมันส่วนเกินออก
7. ใส่ไส้กรองกลับเข้าที่
8. ปิดฝาครอบชุดกรองอากาศ

หมายเหตุ: เปลี่ยนไส้กรองหาก หลุดลุ่ย, ฉีกขาด, เสียหาย หรือไม่สามารถทำความสะอาดได้

10-2 ใบมีดตัด



ข้อควรระวัง: ก่อนทำงานกับใบมีดตัด ต้องตรวจสอบให้แน่ใจว่าได้ถอดสายไฟหัวเทียนและต่อลดินแล้ว เพื่อป้องกันการลัดวงจรโดยไม่ได้ตั้งใจ ป้องกันมือโดยการใช้อุปกรณ์หรือเศษผ้าเนื้อจืดใบมีดตัด เมื่อเปลี่ยนใบมีดใหม่ ปฏิบัติกับเครื่องตัดหญ้าตามที่ระบุเอาไว้ในคู่มือเครื่องยนต์ที่จัดทำแยกต่างหาก ถอดโบลต์หกเหลี่ยมและแหวนรอง ที่ยึดใบมีดและตัวแปลงใบมีดกับเพลลาของเครื่องยนต์ออก ถอดใบมีดและตัวแปลงออกจากเพลลา



คำเตือน: ตรวจสอบหารอยร้าวบนตัวแปลงใบมีดเป็นระยะๆ โดยเฉพาะอย่างยิ่งเมื่อกระทบกับวัตถุแปลกปลอม เปลี่ยนใหม่เมื่อจำเป็น

เพื่อผลลัพธ์ที่ดีที่สุด ใบมีดของคุณควรมคม คุณสามารถลับใบมีดได้โดยการถอดใบมีดออกแล้วฝนหรือตะไบขอบของส่วนตัดให้ใกล้เคียงกับความเอียงเดิมมากที่สุด จำเป็นอย่างยิ่งที่ขอบของส่วนตัดแต่ละจุดจะต้องถูกฝนเท่าๆ กัน เพื่อป้องกันการไม่สมดุล ใบมีดที่ไม่สมดุล จะทำให้เกิดการสั่นสะเทือนเพิ่มขึ้น ทำให้เกิดความเสียหายต่อเครื่องยนต์และเครื่องตัดหญ้าได้มากที่สุด หลังจากลับคม ต้องตรวจสอบให้แน่ใจว่าใบมีดสมดุลดีแล้ว สามารถทดสอบความสมดุลของใบมีดได้โดยการคลุเอาไว้บนก้านใบของที่มีรูปร่างกลม นำโลหะออกจากด้านที่หนักกว่าจะสมดุล (ภาพที่ 37) ก่อนประกอบใบมีดและตัวแปลงใบมีดเข้ากับเครื่อง ให้หล่อลื่นเพลลาเครื่องยนต์ และพื้นผิวด้านในของตัวแปลงใบมีดด้วยน้ำมันใส ก่อน ติดตั้งตัวแปลงใบมีดลงบนเพลลา โปรดดู ภาพที่ 37 ใส่ใบมีด โดยให้ตัวเลขชิ้นส่วนหันออกจากตัวแปลง ใส่แหวนรองบนใบมีดแล้วสอดด้วยโบลต์หกเหลี่ยม ชิ้นโบลต์หกเหลี่ยมด้วยแรงบิดตามที่แสดงด้านล่าง

10-3 แรงบิดในการติดตั้งใบตัด

โบลต์ตัวกลาง 40 นิวตันเมตร - 50 นิวตันเมตร เพื่อให้แน่ใจในการทำงานที่ปลอดภัยของเครื่อง ต้องตรวจสอบน็อตและโบลต์ทุกตัวเป็นระยะๆ เพื่อให้มีความแน่นที่ถูกต้อง หลังจากการใช้งานมาอย่างยาวนาน โดยเฉพาะในสภาพดินทราย ใบตัดจะสึกหรอและสูญเสียรูปร่างดั้งเดิม ประสิทธิภาพในการตัดจะลดลง และควรเปลี่ยนใบตัดใหม่ เปลี่ยนใบตัดด้วยใบตัดอะไหล่จากโรงงานที่ได้รับอนุญาตเท่านั้น ความเสียหายที่เกิดจากใบตัดที่ไม่สมดุลจะไม่อยู่ในความรับผิดชอบของผู้ผลิต เมื่อเปลี่ยนใบตัด ต้องใช้ประเภทเดิมตามที่ได้ทำเครื่องหมายไว้บนใบตัด (MAKITA 263001451 สำหรับ PLM4630N2/PLM4631N2/PLM4632N, MAKITA 263002552 สำหรับ PLM5130N) (หากต้องการสั่งซื้อใบตัด โปรดติดต่อตัวแทนจำหน่ายใกล้บ้าน หรือบริษัทของเรา ดูที่หน้าปก)

10-4 เครื่องยนต์

ดูคำแนะนำในการบำรุงรักษาเครื่องยนต์ในคู่มือเครื่องยนต์ที่จัดทำแยกต่างหาก
รักษาระดับน้ำมันเครื่องตามที่แนะนำอยู่ในคู่มือเครื่องยนต์ที่จัดทำแยกต่างหากที่เก็บไว้ในเครื่องของคุณ อ่านและปฏิบัติตามคำแนะนำอย่างระมัดระวัง
บำรุงรักษาการกรองอากาศตามที่แนะนำไว้ในคู่มือเครื่องยนต์ที่จัดทำแยกต่างหาก ภายใต้สภาวะปกติ
ทำความสะอาดทุกๆ 2-3 ชั่วโมง ภายใต้สภาวะที่มีฝุ่นหนาแน่น ประสิทธิภาพของเครื่องยนต์ที่ลดลงและการลอยขึ้น มักจะเป็นสัญญาณแจ้งว่าควรตรวจสอบกรองอากาศ
ในการบำรุงรักษาการกรองอากาศ ให้ดูคู่มือเครื่องยนต์ที่จัดทำแยกต่างหากที่เก็บไว้ในเครื่องของคุณ
ควรทำความสะอาดหัวเทียน และปรับระยะห่างหนึ่งครั้งต่อหนึ่งฤดูกาล ควรเปลี่ยนหัวเทียนเมื่อเริ่มฤดูกาลตัดหญ้า ตรวจสอบคู่มือเครื่องยนต์เพื่อระบุประเภทหัวเทียนและระยะห่างที่ถูกต้อง ทำความสะอาดเครื่องยนต์เป็นระยะๆ ด้วยผ้าหรือแปรง รักษาระบบหล่อเย็น (พื้นที่ตัวเครื่องเป่า) ให้สะอาด เพื่อให้อากาศไหลเวียนได้อย่างเหมาะสม ซึ่งมีความสำคัญต่อประสิทธิภาพและอายุการใช้งานของเครื่องยนต์ ตรวจสอบให้แน่ใจว่าได้กำจัดเศษหญ้า, ดิน และเศษวัสดุที่ติดไฟได้ ออกจากพื้นที่ทำงานแล้ว

11. คำแนะนำในการเก็บรักษา (นอกฤดูกาล)

ควรปฏิบัติตามขั้นตอนต่อไปนี้เพื่อเตรียมพร้อมรถเดินตัดหญ้าสำหรับการเก็บรักษา

1. ถายน้ำมันออกจากถังน้ำมันหลังจากตัดหญ้าเสร็จแล้ว
 - a) ถายน้ำมันออกจากถังน้ำมันด้วยปั๊มดูด



ข้อควรระวัง: อย่าถายน้ำมันเชื้อเพลิงในท้องปิด, ในพื้นที่ใกล้เปลวไฟ ฯลฯ อย่าสูบบุหรี่! โอน้ำมันสามารถทำให้เกิดการระเบิด หรือไฟไหม้ได้

- b) สดารถเครื่องยนต์ แล้วปล่อยให้เครื่องทำงานจนกระทั่งใช้น้ำมันเชื้อเพลิงที่เหลืออยู่จนหมดและหยุดลง
- c) ถอดหัวเทียนออก ใช้กระป๋องน้ำมันเครื่องเติมน้ำมันเครื่องประมาณ 20 มล. ลงในห้องเผาไหม้ ใช้ขังคันสตาร์ทเพื่อกระจายน้ำมันเครื่องให้ทั่วห้องเผาไหม้ เปลี่ยนหัวเทียน
2. ทำความสะอาดและลงจารบีรถเดินตัดหญ้าอย่างระมัดระวัง ดังที่อธิบายเอาไว้ในหัวข้อ "คำแนะนำในการหล่อลื่น"
3. บำรุงจารบีบางๆ บริเวณใบตัดเพื่อหลีกเลี่ยงการผูกกระทัน
4. เก็บรักษารถเดินตัดหญ้าในที่แห้ง, สะอาด และที่ที่ป้องกันจากการเกิดน้ำแข็ง ห้ามไม่ให้ผู้ที่ไม่ได้รับอนุญาตให้เข้าถึง



ข้อควรระวัง: เครื่องยนต์ต้องถูกปล่อยให้เย็นตัวอย่างสมบูรณ์ ก่อนเก็บรถเดินตัดหญ้า



หมายเหตุ:

- เมื่อเก็บอุปกรณ์ที่ใช้พลังงานใดๆ ภายในพื้นที่ที่ไม่มีการระบายอากาศหรือกล่องเก็บวัสดุ
- ควรป้องกันสนิมอุปกรณ์ ใช้น้ำมันใสหรือซิลิโคนทาให้ทั่วอุปกรณ์ โดยเฉพาะสายเคเบิลและชิ้นส่วนที่เคลื่อนที่ได้ทั้งหมด
- ระวังอย่างหยาบหรือบิดสายเคเบิล
- หากเชือกสตาร์ทหลุดออกจากตัวนำเชือกบนมือจับ ให้สายไฟปลดหัวเทียนและต่อลงดิน กดมือจับควบคุมใบตัดแล้วดึง เชือกสตาร์ทออกจากเครื่องยนต์ซ้ำๆ ปลดเชือกสตาร์ทลงในโบลต์ของตัวนำเชือกบนมือจับ

การขนย้าย

ดับเครื่องแล้วปล่อยให้เครื่องยนต์เย็นลง จากนั้นถอดสายหัวเทียนออกแล้วถายน้ำมันเชื้อเพลิงออกจากถังให้หมดตามคำแนะนำในคู่มือการใช้งานเครื่องยนต์ ตรวจสอบให้แน่ใจว่าชุดตัดไม้โค้งงอหรือชำรุดเสียหายในระหว่างเข็นรถเดินตัดหญ้าผ่านสิ่งกีดขวางต่างๆ

12. การแก้ไขปัญหา

ปัญหา	สาเหตุที่น่าจะเป็น	การแก้ไข
เครื่องยนต์สตาร์ทไม่ติด	ใช้คัตวีนแรงไม่ได้อยู่ในตำแหน่งที่ถูกต้องสำหรับสภาพก่อนสตาร์ท	เลื่อนใช้คัตวีนแรงไปยังตำแหน่งที่ถูกต้อง
	น้ำมันเชื้อเพลิงหมด	เติมน้ำมันเชื้อเพลิง: ดูคู่มือสำหรับเครื่องยนต์
	ไส้กรองอากาศสกปรก	ทำความสะอาดไส้กรองอากาศ: ดูคู่มือสำหรับเครื่องยนต์
	หัวเทียนหลวม	ขันหัวเทียนให้แน่นด้วยแรงบิด 25-30 นิวตันเมตร
	สายหัวเทียนหลวมหรือหลุดออกจากปลั๊ก	ใส่สายหัวเทียนลงในหัวเทียน
	ช่องว่างของหัวเทียนไม่ถูกต้อง	ตั้งค่าช่องว่างระหว่างขั้วที่ 0.7 ถึง 0.8 มม.
	หัวเทียนชำรุด	ใส่หัวเทียนใหม่ โดยให้มีระยะห่างที่ถูกต้อง: ดูคู่มือสำหรับเครื่องยนต์
	น้ำมันเชื้อเพลิงท่วมคาร์บูเรเตอร์	ถอดไส้กรองอากาศออก แล้วดึงเชือกสตาร์ทไปเรื่อยๆ จนกว่าคาร์บูเรเตอร์จะโล่ง แล้วใส่ไส้กรองอากาศเข้าที่
	ชุดเผาใหม่ชำรุด	ติดต่อเจ้าหน้าที่บริการ
เครื่องยนต์สตาร์ทติดยากหรือกำลังลดลง	มีดิน, น้ำ หรือตะกอนในถังน้ำมัน	ถ่ายน้ำมันเชื้อเพลิงออก แล้วทำความสะอาดถัง เติมน้ำมันเชื้อเพลิงที่สะอาดลงถึง
	รูระบายที่ฝาถังน้ำมันอุดตัน	ทำความสะอาดหรือเปลี่ยนฝาถังน้ำมันใหม่
	ไส้กรองอากาศสกปรก	ทำความสะอาดไส้กรองอากาศ
เครื่องยนต์เดินผิดปกติ	หัวเทียนชำรุด	ใส่หัวเทียนใหม่ โดยให้มีระยะห่างที่ถูกต้อง: ดูคู่มือสำหรับเครื่องยนต์
	ช่องว่างของหัวเทียนไม่ถูกต้อง	ตั้งค่าช่องว่างระหว่างขั้วที่ 0.7 ถึง 0.8 มม.
	ไส้กรองอากาศสกปรก	ทำความสะอาดไส้กรองอากาศ: ดูคู่มือสำหรับเครื่องยนต์
อัตรารอบเดินเบาของเครื่องยนต์ไม่ตีพอ	ไส้กรองอากาศสกปรก	ทำความสะอาดไส้กรองอากาศ: ดูคู่มือสำหรับเครื่องยนต์
	ช่องอากาศในห้องเครื่องอุดตัน	กำจัดเศษสกปรกออกจากช่อง
เครื่องยนต์กระตุกที่ความเร็วสูง	ครีบบระบายความร้อนและทางเดินอากาศใต้ตัวเป่าของเครื่องยนต์อุดตัน	กำจัดเศษสกปรกออกจากครีบบระบายความร้อนและทางเดินอากาศ
	ช่องว่างระหว่างขั้วของหัวเทียนชิดเกินไป	ตั้งค่าช่องว่างระหว่างขั้วที่ 0.7 ถึง 0.8 มม.
เครื่องยนต์รื้อนเกินไป	การไหลของอากาศหลอยเกินถูกขวาง	กำจัดเศษสกปรกออกจากช่องในห้องเครื่อง, ตัวเครื่องเป่าและทางเดินอากาศ
	หัวเทียนไม่ถูกต้อง	ใส่หัวเทียนและครีบบระบายความร้อนของแท่งในเครื่องยนต์
เครื่องตัดหญ้าสั่นผิดปกติ	ชุดตัดหลวม	ขันใบตัดให้แน่น
	ชุดตัดไม่สมดุล	ปรับใบตัดให้สมดุล

13. ด้านสิ่งแวดล้อม

เครื่องของคุณควรได้รับการเปลี่ยนหลังจากใช้งานมานาน อย่างไรก็ตาม เครื่องไปกับขณะท้องถิ่น แต่ให้ทิ้งด้วยวิธีที่ไม่กระทบต่อสิ่งแวดล้อม

Makita Corporation
3-11-8, Sumiyoshi-cho,
Anjo, Aichi 446-8502 Japan

www.makita.com

PLM4630N2-SEA5L-1910

IDE