



VN	VIETNAM
----	---------

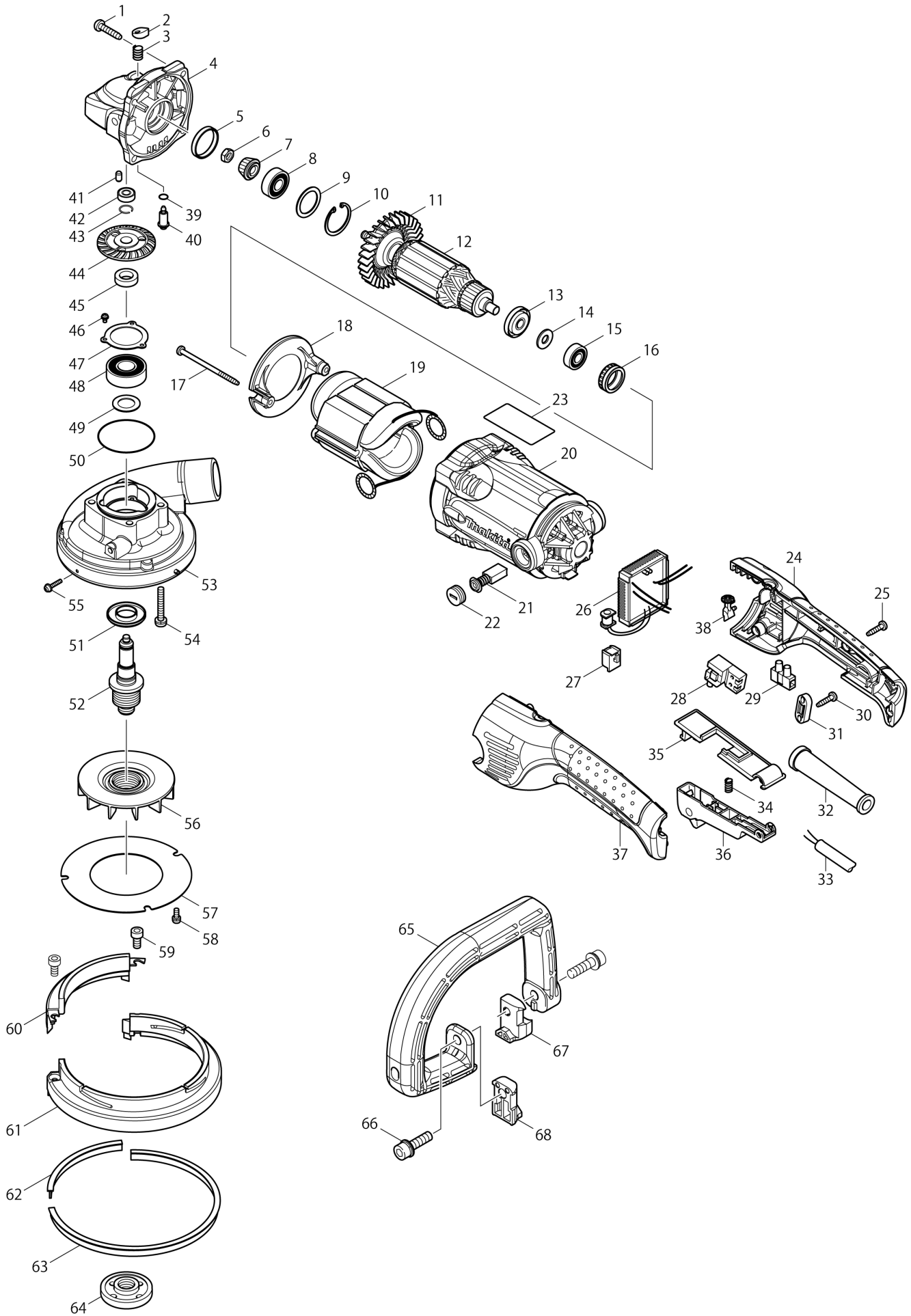
# Diagram / Parts List

**PC5000C**

**CONCRETE PLANER 125MM**



(VN) PC5000C / CONCRETE PLANER 125MM



<b>VN</b>	<b>VIETNAM</b>
-----------	----------------

### PC5000C / CONCRETE PLANER 125MM

Item	Sub	Parts No.	Parts Description	Qty	I/C	E/C No.	Close No.	Remark
001		266459-3	TAPPING SCREW 5X25	4				
002		417771-6	PIN CAP	1				
003		234057-1	COMPRESSION SPRING 8	1				
004		318158-4	GEAR HOUSING	1				
005		424051-3	RUBBER RING 26	1				
006		264010-3	HEX.NUT M7	1				
007		227520-1	SPIRAL BEVEL GEAR 11	1				
008-1		210059-1	BALL BEARING 6000DDW	1				
009		267352-4	FLAT WASHER 22	1				
010		962107-9	RETAINING RING (INT) R-30	1				
011		240094-5	FAN 70	1				
012-1		513798-5	ARMATURE ASS'Y 220V	1			97089	
	D10		INC. 11,13-15				97089	
012-2		518684-5	ARMATURE ASS'Y 220V	1	<	97089		
	D10		INC. 11,13-15			97089		
013		681660-3	INSULATION WASHER	1				
014		267281-1	FLAT WASHER 8	1				
015-1		210005-4	BALL BEARING 608DDW	1				
016		421720-7	RUBBER RING 22	1				
017		266325-4	TAPPING SCREW 4X70	2				
018		419961-7	BAFFLE PLATE	1				
019		525783-6	FIELD ASS'Y 220V	1			97089	
	C10	654020-2	RING TERMINAL	2			97089	
	C20	654501-6	CONNECTOR P-1.25	2			97089	
019-1		525784-4	FIELD ASS'Y 240V	1	S	97089	Y07982	
	C10	654020-2	RING TERMINAL	2		97089	Y07982	
	C20	654501-6	CONNECTOR P-1.25	2		97089	Y07982	
019-2		520087-1	FIELD ASS'Y 240V	1	O	Y07982		
	C10	654020-2	RING TERMINAL	2		Y07982		
	C20	654501-6	CONNECTOR P-1.25	2		Y07982		
020		140019-8	MOTOR HOUSING COMPLETE	1				
	C10	643751-8	BRUSH HOLDER	2				
021-2		194994-0	CARBON BRUSH SET CB-253	1				
022		643750-0	BRUSH HOLDER CAP 7-11	2				
023		866345-4	PC5000C NAME PLATE	1				
024		188630-8	HANDLE SET	1				
	D10		INC. 37					
025		266326-2	TAPPING SCREW 4X18	4				
026		631799-2	CONTROLLER	1				
027		418518-1	SLEEVE	1				
028		651922-3	SWITCH TG71B	1			96540	
028-1		650677-7	SWITCH C3PA-1112	1	<	96540	99186	
028-2		651922-3	SWITCH TG71B	1	<	99186		
029		654575-7	TERMINAL BLOCK	1				
030		266326-2	TAPPING SCREW 4X18	2				
031		687140-7	STRAIN RELIEF	1				
032		682574-9	CORD GUARD 10-90	1				
033		691025-1	POWER SUPPLY CORD 0.75-2-5.0	1				
034		233117-6	COMPRESSION SPRING 6	1				
035		418519-9	SWITCH BASE	1				
036		158403-3	SWITCH LEVER C COMPLETE	1				
037		188630-8	HANDLE SET	1				
	D10		INC. 24					
038		450184-8	LENS	1				
039		213977-2	O RING 7	1				
040		256505-0	SHOULDER PIN 5	1				
041		263002-9	RUBBER PIN 4	1				
042		210033-9	BALL BEARING 696ZZ	1				
043		233950-6	RING SPRING 11	1				
044		227521-9	SPIRAL BEVEL GEAR 35A	1				
045		257171-6	RING 12	1			D9218	
045-1		257171-6	RING 12	1	O	D9218		
046		911003-8	PAN HEAD SCREW M3X6	3				
047		285728-3	BEARING RETAINER 39	1				
048		211241-5	BALL BEARING 6202DDW	1				

Interchange  
O : Yes  
X : No  
< : the new part can be substituted for the current.  
> : the current part can be substituted for the new.  
S : Interchangeable as a set.

