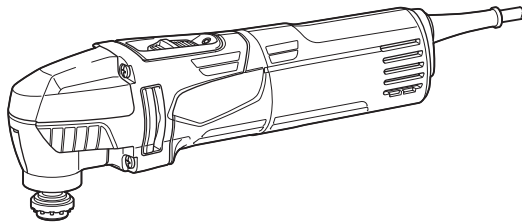
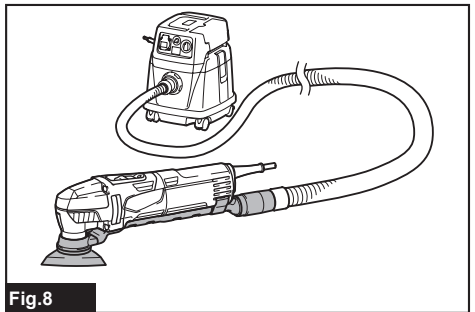
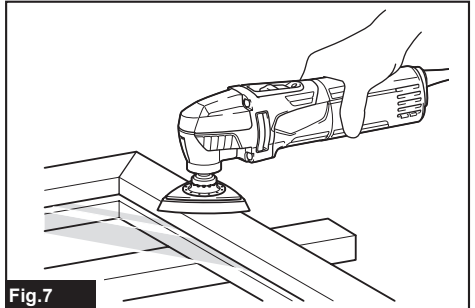
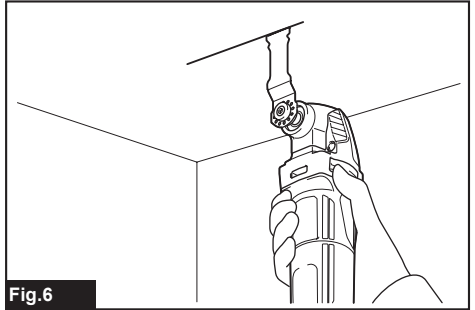
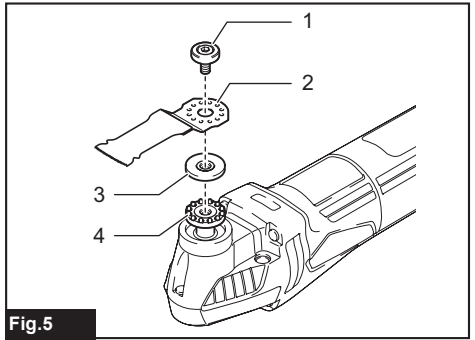
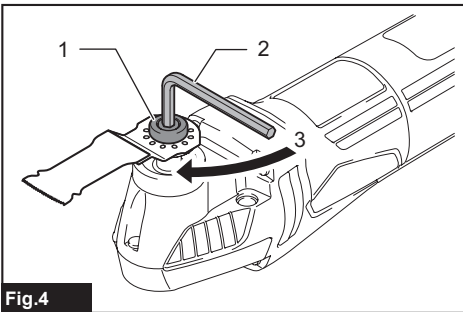
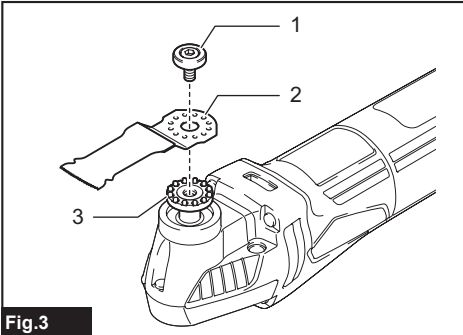
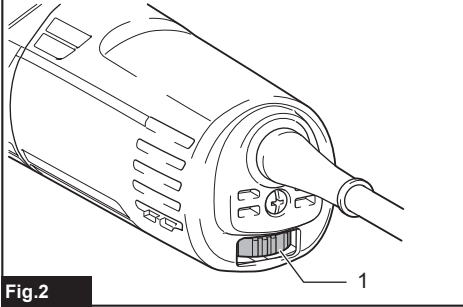
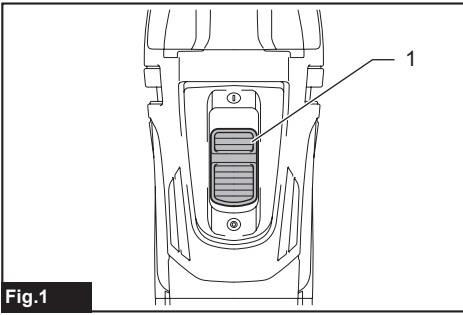




EN	Multi Tool	INSTRUCTION MANUAL	4
ZHCN	多功能切割打磨机	使用说明书	9
ID	Mesin Serbaguna	PETUNJUK PENGGUNAAN	14
MS	Alat Pelbagai	MANUAL ARAHAN	20
VI	Máy Đa Năng Cầm Tay Hoạt Động Bằng Động Cơ Điện	TÀI LIỆU HƯỚNG DẪN	26
TH	เครื่องมืออเนกประสงค์	คู่มือการใช้งาน	31

M9800





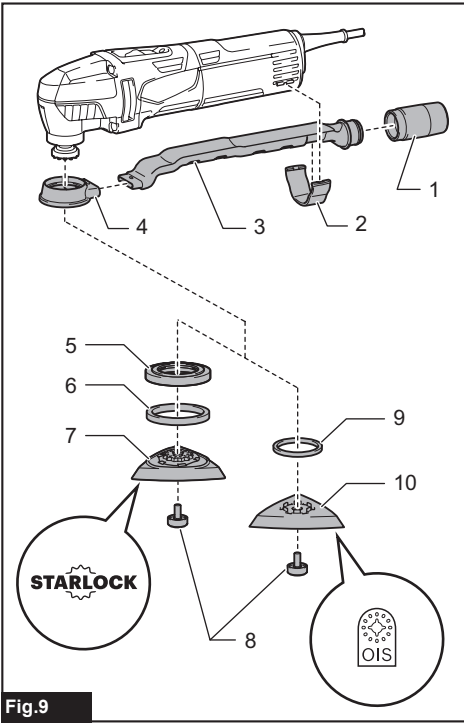


Fig.9

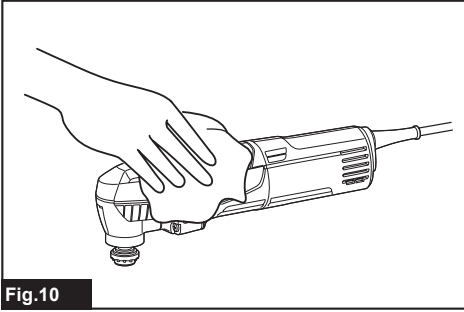


Fig.10

SPECIFICATIONS

Model:	M9800
Oscillation per minute	15,000 - 22,000 min ⁻¹
Oscillation angle, left/right	1.6 ° (3.2 ° total)
Overall length	283 mm
Net weight	1.2 - 1.3 kg
Safety class	□/II

- Due to our continuing program of research and development, the specifications herein are subject to change without notice.
- Specifications may differ from country to country.
- The weight may differ depending on the attachment(s). The lightest and heaviest combination, according to EPTA-Procedure 01/2014, are shown in the table.

Symbols

The followings show the symbols which may be used for the equipment. Be sure that you understand their meaning before use.



Read instruction manual.



Wear safety glasses.



DOUBLE INSULATION



Only for EU countries
Do not dispose of electric equipment together with household waste material! In observance of the European Directive, on Waste Electric and Electronic Equipment and its implementation in accordance with national law, electric equipment that have reached the end of their life must be collected separately and returned to an environmentally compatible recycling facility.

Intended use

The tool is intended for sawing and cutting wood, plastic, gypsum, non-ferrous metals, and fastening elements (e. g. unhardened nails and staples). It is also intended for working soft wall tiles, as well as dry sanding and scraping of small surfaces. It is especially for working close to edge and flush cutting.

Power supply

The tool should be connected only to a power supply of the same voltage as indicated on the nameplate, and can only be operated on single-phase AC supply. They are double-insulated and can, therefore, also be used from sockets without earth wire.

SAFETY WARNINGS

General power tool safety warnings

⚠ WARNING: Read all safety warnings, instructions, illustrations and specifications provided with this power tool. Failure to follow all instructions listed below may result in electric shock, fire and/or serious injury.

Save all warnings and instructions for future reference.

The term "power tool" in the warnings refers to your mains-operated (corded) power tool or battery-operated (cordless) power tool.

Work area safety

1. **Keep work area clean and well lit.** Cluttered or dark areas invite accidents.
2. **Do not operate power tools in explosive atmospheres, such as in the presence of flammable liquids, gases or dust.** Power tools create sparks which may ignite the dust or fumes.
3. **Keep children and bystanders away while operating a power tool.** Distractions can cause you to lose control.

Electrical safety

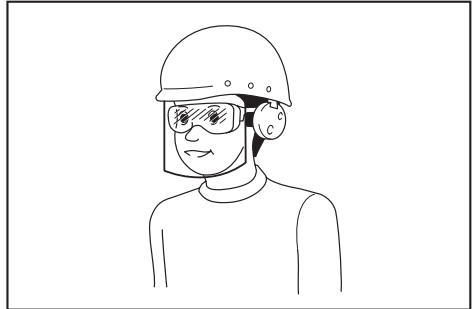
1. **Power tool plugs must match the outlet. Never modify the plug in any way. Do not use any adapter plugs with earthed (grounded) power tools.** Unmodified plugs and matching outlets will reduce risk of electric shock.
2. **Avoid body contact with earthed or grounded surfaces, such as pipes, radiators, ranges and refrigerators.** There is an increased risk of electric shock if your body is earthed or grounded.
3. **Do not expose power tools to rain or wet conditions.** Water entering a power tool will increase the risk of electric shock.

4. **Do not abuse the cord. Never use the cord for carrying, pulling or unplugging the power tool. Keep cord away from heat, oil, sharp edges or moving parts.** Damaged or entangled cords increase the risk of electric shock.
5. **When operating a power tool outdoors, use an extension cord suitable for outdoor use.** Use of a cord suitable for outdoor use reduces the risk of electric shock.
6. **If operating a power tool in a damp location is unavoidable, use a residual current device (RCD) protected supply.** Use of an RCD reduces the risk of electric shock.
7. **Use of power supply via an RCD with a rated residual current of 30 mA or less is always recommended.**
8. **Power tools can produce electromagnetic fields (EMF) that are not harmful to the user.** However, users of pacemakers and other similar medical devices should contact the maker of their device and/or doctor for advice before operating this power tool.
9. **Do not touch the power plug with wet hands.**
10. **If the cord is damaged, have it replaced by the manufacturer or his agent in order to avoid a safety hazard.**

Personal safety

1. **Stay alert, watch what you are doing and use common sense when operating a power tool. Do not use a power tool while you are tired or under the influence of drugs, alcohol or medication.** A moment of inattention while operating power tools may result in serious personal injury.
2. **Use personal protective equipment. Always wear eye protection.** Protective equipment such as a dust mask, non-skid safety shoes, hard hat or hearing protection used for appropriate conditions will reduce personal injuries.
3. **Prevent unintentional starting. Ensure the switch is in the off-position before connecting to power source and/or battery pack, picking up or carrying the tool.** Carrying power tools with your finger on the switch or energising power tools that have the switch on invites accidents.
4. **Remove any adjusting key or wrench before turning the power tool on.** A wrench or a key left attached to a rotating part of the power tool may result in personal injury.
5. **Do not overreach. Keep proper footing and balance at all times.** This enables better control of the power tool in unexpected situations.
6. **Dress properly. Do not wear loose clothing or jewellery. Keep your hair and clothing away from moving parts.** Loose clothes, jewellery or long hair can be caught in moving parts.
7. **If devices are provided for the connection of dust extraction and collection facilities, ensure these are connected and properly used.** Use of dust collection can reduce dust-related hazards.
8. **Do not let familiarity gained from frequent use of tools allow you to become complacent and ignore tool safety principles.** A careless action can cause severe injury within a fraction of a second.

9. **Always wear protective goggles to protect your eyes from injury when using power tools. The goggles must comply with ANSI Z87.1 in the USA, EN 166 in Europe, or AS/NZS 1336 in Australia/New Zealand. In Australia/New Zealand, it is legally required to wear a face shield to protect your face, too.**



It is an employer's responsibility to enforce the use of appropriate safety protective equipments by the tool operators and by other persons in the immediate working area.

Power tool use and care

1. **Do not force the power tool. Use the correct power tool for your application.** The correct power tool will do the job better and safer at the rate for which it was designed.
2. **Do not use the power tool if the switch does not turn it on and off.** Any power tool that cannot be controlled with the switch is dangerous and must be repaired.
3. **Disconnect the plug from the power source and/or remove the battery pack, if detachable, from the power tool before making any adjustments, changing accessories, or storing power tools.** Such preventive safety measures reduce the risk of starting the power tool accidentally.
4. **Store idle power tools out of the reach of children and do not allow persons unfamiliar with the power tool or these instructions to operate the power tool.** Power tools are dangerous in the hands of untrained users.
5. **Maintain power tools and accessories. Check for misalignment or binding of moving parts, breakage of parts and any other condition that may affect the power tool's operation. If damaged, have the power tool repaired before use.** Many accidents are caused by poorly maintained power tools.
6. **Keep cutting tools sharp and clean.** Properly maintained cutting tools with sharp cutting edges are less likely to bind and are easier to control.
7. **Use the power tool, accessories and tool bits etc. in accordance with these instructions, taking into account the working conditions and the work to be performed.** Use of the power tool for operations different from those intended could result in a hazardous situation.

8. **Keep handles and grasping surfaces dry, clean and free from oil and grease.** Slippery handles and grasping surfaces do not allow for safe handling and control of the tool in unexpected situations.
9. **When using the tool, do not wear cloth work gloves which may be entangled.** The entanglement of cloth work gloves in the moving parts may result in personal injury.
15. **Some material contains chemicals which may be toxic. Take caution to prevent dust inhalation and skin contact. Follow material supplier safety data.**
16. **This tool has not been waterproofed, so do not use water on the workpiece surface.**
17. **Ventilate your work area adequately when you perform sanding operations.**

Service

1. **Have your power tool serviced by a qualified repair person using only identical replacement parts.** This will ensure that the safety of the power tool is maintained.
2. **Follow instruction for lubricating and changing accessories.**

Multi tool safety warnings

1. **This power tool is intended to function for sawing, cutting, grinding and sanding. Read all safety warnings, instructions, illustrations and specifications provided with this power tool.** Failure to follow all instructions listed below may result in electric shock, fire and/or serious injury.
2. **Hold the power tool by insulated gripping surfaces, when performing an operation where the cutting accessory may contact hidden wiring or its own cord.** Cutting accessory contacting a "live" wire may make exposed metal parts of the power tool "live" and could give the operator an electric shock.
3. **Use clamps or another practical way to secure and support the workpiece to a stable platform.** Holding the work by hand or against your body leaves it unstable and may lead to loss of control.
4. **Position the cord clear of the spinning accessory.** If you lose control, the cord may be cut or snagged and your hand or arm may be pulled into the spinning accessory.
5. **Always use safety glasses or goggles. Ordinary eye or sun glasses are NOT safety glasses.**
6. **Avoid cutting nails. Inspect workpiece for any nails and remove them before operation.**
7. **Hold the tool firmly.**
8. **Make sure the application tool is not contacting the workpiece before the switch is turned on.**
9. **Keep hands away from moving parts.**
10. **Do not leave the tool running. Operate the tool only when hand-held.**
11. **Always switch off and wait for the blade to come to a complete stop before removing the blade from the workpiece.**
12. **Do not touch the application tool or the workpiece immediately after operation; they may be extremely hot and could burn your skin.**
13. **Do not operate the tool at no-load unnecessarily.**
14. **Always use the correct dust mask/respirator for the material and application you are working with.**
18. **Use of this tool to sand some products, e.g. leaded paint surfaces, wood and metals could expose user and bystanders to dust containing hazardous substances. Use appropriate respiratory protection.**
19. **Be sure that there are no cracks or breakage on the pad before use. Cracks or breakage may cause a personal injury.**
20. **Do not use accessories which are not specifically designed and recommended by the tool manufacturer. Just because the accessory can be attached to your power tool, it does not assure safe operation.**
21. **Wear personal protective equipment. Depending on application, use face shield, safety goggles or safety glasses. As appropriate, wear hearing protectors, gloves and workshop apron capable of stopping small abrasive or workpiece fragments.** The eye protection must be capable of stopping flying debris generated by various operations. The dust mask or respirator must be capable of filtering particles generated by your operation. Prolonged exposure to high intensity noise may cause hearing loss.
22. **Keep bystanders a safe distance away from work area. Anyone entering the work area must wear personal protective equipment.** Fragments of workpiece or of a broken accessory may fly away and cause injury beyond immediate area of operation.
23. **Never lay the power tool down until the accessory has come to a complete stop.** The spinning accessory may grab the surface and pull the power tool out of your control.
24. **Do not run the power tool while carrying it at your side.** Accidental contact with the accessory could snag your clothing, pulling the accessory into your body.
25. **Do not operate the power tool near flammable materials.** Sparks could ignite these materials.
26. **Do not use accessories that require liquid coolants.** Using water or other liquid coolants may result in electrocution or shock.
27. **Always be sure that the tool is switched off and unplugged before carrying out any work on the tool.**
28. **If working place is extremely hot and humid, or badly polluted by conductive dust, use a short-circuit breaker (30 mA) to assure operator safety.**
29. **Always be sure you have a firm footing. Be sure no one is below when using the tool in high locations.**

30. **Before starting operation, make sure that there is no hidden supply lines such as electric, gas and water lines under the working surface.**
Cutting or damaging the supply lines may cause electric shock, gas leakage, property damage, or other accidents.

SAVE THESE INSTRUCTIONS.

⚠WARNING: DO NOT let comfort or familiarity with product (gained from repeated use) replace strict adherence to safety rules for the subject product. MISUSE or failure to follow the safety rules stated in this instruction manual may cause serious personal injury.

FUNCTIONAL DESCRIPTION

⚠CAUTION: Always be sure that the tool is switched off and unplugged before adjusting or checking function on the tool.

Switch action

⚠CAUTION: Before plugging in the tool, always check to see that the tool is switched off.

To start the tool, slide the slide switch toward the “I (ON)” position.

To stop the tool, slide the slide switch toward the “O (OFF)” position.

► **Fig.1:** 1. Slide switch

Adjusting the orbital stroke rate

The orbital stroke rate is adjustable. To change the orbital stroke rate, turn the dial between 1 and 5. The higher the number is, the higher the orbital stroke rate is. Preset the dial to the number suitable for your workpiece.

► **Fig.2:** 1. Dial

NOTE: The dial cannot be turned directly from 1 to 5 or from 5 to 1. Forcing the dial may damage the tool. When changing the dial direction, always turn the dial moving it through each intermediate number.

ASSEMBLY

⚠CAUTION: Always be sure that the tool is switched off and unplugged before carrying out any work on the tool.

Installing or removing application tool

Optional accessory

⚠WARNING: Do not install application tool upside down. Installing application tool upside down may damage the tool and cause serious personal injury.

⚠WARNING: Install attachment tool in the correct direction according to your work. Application tool can be installed at an angle of every 30 degree.

⚠WARNING: Always install the application tool so that the protrusions of the tool flange fit in the holes on the application tool. Failure to do so may cause the application tool flown off and result in personal injury.

⚠WARNING: When installing the application tool, be sure to tighten the application tool installation bolt securely.

Put an application tool (optional accessory) on the tool flange so that the protrusions of the tool flange fit in the holes in the application tool and secure the application tool by tightening the bolt firmly with the hex wrench. When using sanding application tool, mount the application tool on the sanding pad so that it matches the sanding pad direction.

The sanding pad has a hook and loop type fitting system which allows easy and rapid fitting of a sanding paper.

As sanding papers have holes for dust extraction, mount a sanding paper so that the holes in a sanding paper match those in the sanding pad.

To remove a sanding paper, raise its end and peel it off. Loosen and remove the application tool installation bolt using a hex wrench and then take off the application tool.

► **Fig.3:** 1. Application tool installation bolt 2. Holes in the application tool 3. Protrusions of the tool flange

► **Fig.4:** 1. Application tool installation bolt 2. Hex wrench 3. Tighten

When using application tools with a different type of installation section, use a correct adapter (optional accessory).

► **Fig.5:** 1. Application tool installation bolt 2. Holes in the application tool 3. Adapter 4. Protrusions of the tool flange

OPERATION

⚠ WARNING: Before starting the tool and during operation, keep your hand and face away from the application tool.

⚠ CAUTION: Do not apply excessive load to the tool which may cause a motor lock and stop the tool.

Cutting, sawing and scraping

⚠ CAUTION: Do not move on the tool forcibly in the direction (eg. towards either side) of tool application with no cutting edge. It may damage the tool.

Put the application tool on the workpiece. And then move the tool forward so that the application tool movement does not slow down.

► Fig.6

NOTE: Forcing or excessive pressure on the tool may reduce efficiency.

NOTE: Before cutting operation, it is recommended to preset the orbital stroke rate 3 - 5.

Sanding

⚠ CAUTION: Do not reuse a sanding paper used for sanding metal to sand wood.

⚠ CAUTION: Do not use a worn sanding paper or sanding paper without grit.

Apply a sanding paper on the workpiece.

► Fig.7

NOTE: Using a test material sample to try is recommendable to determine a correct orbital stroke rate suitable for your work.

NOTE: Use a sanding paper with the same grit until sanding the whole workpiece is completed. Replacing a sanding paper with different grit sanding paper may not get a fine finish.

Dust extraction attachment

Optional accessory

⚠ WARNING: Do not use extraction attachment when grinding a metallic workpiece with this tool. Hot dust may ignite dust in the vacuum cleaner and it may cause fire.

When you wish to perform cleaner operation, install the dust extraction attachment to the tool. Connect a hose of vacuum cleaner to the dust extraction attachment.

► Fig.8

Assemble the dust extraction attachment and install it to the tool.

1. Install joint, dust nozzle and dust attachment.
2. Install the nozzle band on the tool so that its protrusions fit in the holes in the tool to secure it.
3. Put the felt ring, spacer (if necessary), and the sanding pad on the dust attachment and then secure them with the application tool installation bolt.

► Fig.9: 1. Joint 2. Nozzle band 3. Dust nozzle
4. Dust attachment 5. Spacer 6. Felt ring (ø 47 mm) 7. Pad (with STARLOCK marking)
8. Application tool installation bolt 9. Felt ring (ø 37 mm) 10. Pad (with OIS marking)

NOTICE: When using the pad with STARLOCK marking, be sure to install the spacer between the dust attachment and the felt ring.

MAINTENANCE

⚠ CAUTION: Always be sure that the tool is switched off and unplugged before attempting to perform inspection or maintenance.

NOTICE: Never use gasoline, benzine, thinner, alcohol or the like. Discoloration, deformation or cracks may result.

To maintain product SAFETY and RELIABILITY, repairs, any other maintenance or adjustment should be performed by Makita Authorized or Factory Service Centers, always using Makita replacement parts.

Cleaning

From time to time wipe off the tool using a dry cloth or a cloth dampened in soapy water.

► Fig.10

规格

型号:	M9800
摆动速度	15,000 - 22,000 /min
左 / 右摆动角	1.6° (共3.2°)
长度	283 mm
净重	1.2 - 1.3 kg
安全等级	II/II

- 生产者保留变更规格不另行通知之权利。
- 规格可能因销往国家之不同而异。
- 重量因附件而异。根据EPTA-Procedure 01/2014, 最重与最轻的组合见表格。

符号

以下显示本设备可能会使用的符号。在使用工具之前, 请务必理解其含义。



阅读使用说明书。



佩带安全眼镜。



II类工具



仅限于欧盟国家
请勿将电气设备与家庭普通废弃物一同丢弃！请务必遵守欧洲关于废弃电子电气设备的指令, 根据各国法律法规执行。达到使用寿命的电气设备必须分类回收至符合环境保护规定的再循环机构。

用途

本工具可切锯木材、塑料、石膏、非铁金属和紧固件（如未淬火的钉子和马钉）。还可用于处理软墙砖以及干砂磨和铲除较小的表面。尤其适用于抵靠边缘工作和平齐切割。

电源

本工具只可连接电压与铭牌所示电压相同的电源, 且仅可使用单相交流电源。本工具双重绝缘, 因此也可用于不带接地线的插座。

安全警告

电动工具通用安全警告

警告： 阅读随电动工具提供的所有安全警告、说明、图示和规定。不遵照以下所列说明会导致电击、着火和 / 或严重伤害。

保存所有警告和说明书以备查阅。

警告中的术语“电动工具”是指市电驱动（有线）电动工具或电池驱动（无线）电动工具。

工作场地的安全

- 保持工作场地清洁和明亮。杂乱和黑暗的场地会引发事故。
- 不要在易爆环境, 如有易燃液体、气体或粉尘的环境下操作电动工具。电动工具产生的火花会点燃粉尘或气体。
- 操作电动工具时, 远离儿童和旁观者。注意力不集中会使你失去对工具的控制。

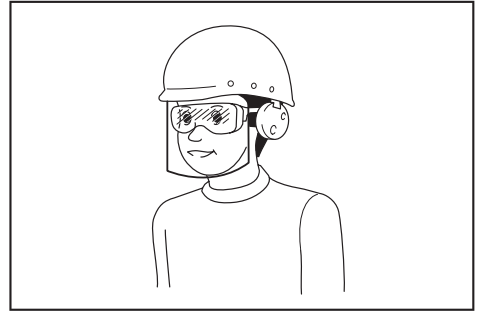
电气安全

- 电动工具插头必须与插座相配。绝不能以任何方式改装插头。需接地的电动工具不能使用任何转换插头。未经改装的插头和相配的插座将降低电击风险。
- 避免人体接触接地表面, 如管道、散热片和冰箱。如果你身体接触接地表面会增加电击风险。

3. 不得将电动工具暴露在雨中或潮湿环境中。水进入电动工具将增加电击风险。
4. 不得滥用软线。绝不能用软线搬运、拉动电动工具或拔出其插头。使软线远离热源、油、锐边或运动部件。受损或缠绕的软线会增加电击风险。
5. 当在户外使用电动工具时，使用适合户外使用的延长线。适合户外使用的电线将降低电击风险。
6. 如果无法避免在潮湿环境中操作电动工具，应使用带有剩余电流装置（RCD）保护的电源。RCD的使用可降低电击风险。
7. 始终建议通过额定剩余电流为30 mA或以下的RCD来使用电源。
8. 电动工具会产生对用户无害的电磁场（EMF）。但是，起搏器和其他类似医疗设备的用户应在操作本电动工具前咨询其设备的制造商和 / 或医生寻求建议。
9. 请勿用湿手触摸电源插头。
10. 如果导线破损，则由制造商或其代理商更换以避免安全隐患。

人身安全

1. 保持警觉，当操作电动工具时关注所从事的操作并保持清醒。当你感到疲倦，或在有药物、酒精或治疗反应时，不要操作电动工具。在操作电动工具时瞬间的疏忽会导致严重人身伤害。
2. 使用个人防护装置。始终佩戴护目镜。防护装置，诸如适当条件下使用防尘面具、防滑安全鞋、安全帽、听力防护等装置能减少人身伤害。
3. 防止意外起动。在连接电源和/或电池包、拿起或搬运工具前确保开关处于关断位置。手指放在开关上搬运工具或开关处于接通时通电会导致危险。
4. 在电动工具接通之前，拿掉所有调节钥匙或扳手。遗留在电动工具旋转零件上的扳手或钥匙会导致人身伤害。
5. 手不要过分伸展。时刻注意立足点和身体平衡。这样能在意外情况下能更好地控制住电动工具。
6. 着装适当。不要穿宽松衣服或佩戴饰品。让你的头发和衣服远离运动部件。宽松衣服、佩饰或长发可能会卷入运动部件。
7. 如果提供了与排屑、集尘设备连接用的装置，要确保其连接完好且使用得当。使用集尘装置可降低尘屑引起的危险。



雇主有责任监督工具操作者和其他近工作区域人员佩戴合适的安全防护设备。

电动工具使用和注意事项

1. 不要勉强使用电动工具，根据用途使用合适的电动工具。选用合适的按照额定值设计的电动工具会使你工作更有效、更安全。
2. 如果开关不能接通或关断电源，则不能使用该电动工具。不能通过开关来控制的电动工具是危险的且必须进行修理。
3. 在进行任何调节、更换附件或贮存电动工具之前，必须从电源上拔掉插头和/或卸下电池包（如可拆卸）。这种防护性的安全措施降低了电动工具意外起动的风险。
4. 将闲置不用的电动工具贮存在儿童所及范围之外，并且不允许不熟悉电动工具和不了解这些说明的人操作电动工具。电动工具在未经培训的使用者手中是危险的。
5. 维护电动工具及其附件。检查运动部件是否调整到位或卡住，检查零件破损情况和影响电动工具运行的其他状况。如有损坏，应在使用前修理好电动工具。许多事故是由维护不良的电动工具引发的。
6. 保持切削刀具锋利和清洁。维护良好地有锋利切削刃的刀具不易卡住而且容易控制。

7. 按照使用说明书，并考虑作业条件和要进行的作业来选择电动工具、附件和工具的刀头等。将电动工具用于那些与其用途不符的操作可能会导致危险情况。
8. 保持手柄和握持表面干燥、清洁，不得沾有油脂。在意外的情况下，湿滑的手柄不能保证握持的安全和对工具的控制。
9. 使用本工具时，请勿佩戴可能会缠结的布质工作手套。布质工作手套卷入移动部件可能会造成人身伤害。
13. 如无必要，请勿在空载状态下操作工具。
14. 根据您操作的材料及应用，请务必使用正确的防尘面罩/呼吸器。
15. 某些材料含有有毒化学物质。小心不要吸入粉尘，并避免皮肤接触。遵循材料供应商的安全提示。
16. 本工具不防水，因此请保持工件表面干燥。
17. 进行砂磨操作时，请对工作区进行足够的通风。

维修

1. 由专业维修人员使用相同的备件维修电动工具。这将保证所维修的电动工具的安全。
2. 上润滑油及更换附件时请遵循本说明书指示。

多功能切割打磨机安全警告

1. 本电动工具设计用于切锯、磨削或砂磨操作。请通读本电动工具附带的所有安全警告、说明、插图和规格。若不遵循下列说明，则可能导致触电、起火和/或严重的人身伤害。
2. 当进行作业时切割附件可能会接触到隐藏的电线或自身的电线，请握住工具的绝缘抓握表面。切割附件接触到“带电”的电线时，电动工具上暴露的金属部分可能也会“带电”，并使操作者触电。
3. 请使用螺丝钳或其他可行的方式将工件夹紧并固定在稳定的平台上。手持工件或将工件抵在身上，可能会导致工件摆放不稳，使工具失去控制。
4. 勿使工具导线靠近旋转附件。否则线头可能会被切割到或卡住，从而可能使您的手或手臂被拖入旋转附件中。
5. 请使用安全眼镜或护目镜。普通眼镜或太阳眼镜并非安全眼镜。
6. 注意不要切割到铁钉。操作前请检查工件上是否有铁钉并将其清除。
7. 请牢握本工具。
8. 打开开关前，请确保工具未与工件接触。
9. 手应远离移动的部件。
10. 运行中的工具不可离手放置。只可在手握工具的情况下操作工具。
11. 将锯片从工件上取下之前，请务必关闭工具电源并等待锯片完全停止。
12. 操作之后，请勿立刻工具或工件，因为它们可能会非常烫而导致烫伤皮肤。
18. 使用本工具打磨某些表面涂覆含铅油漆的产品、木材及金属时，用户及旁观者可能会接触到含有有毒物质的粉尘。请采取正确的呼吸保护措施。
19. 使用前请确认垫片上没有裂缝或破裂。裂缝或破裂会导致人身伤害。
20. 请勿使用非专用的或未得到工具制造商推荐的附件。这样的附件虽然可安装到电动工具上，但无法确保操作安全。
21. 请穿戴个人劳防用品。根据应用情况，请使用面罩、安全护目镜或安全眼镜。根据情况佩戴可防止较小的砂磨碎片或工件碎片的耳罩、手套和车间用的围裙。护目镜必须具备可以防止多种操作所产生的飞溅的碎片伤害到您的能力。防尘面罩或呼吸器必须具备可过滤操作中产生的微粒的能力。长时间的高强度噪音可能会损伤您的听力。
22. 使旁观者远离工作区域，保持一定的安全距离。所有进入工作区域的人员必须穿戴个人劳防用品。工件的碎片或破损的附件可能会飞溅到操作区域以外并导致人身伤害。
23. 在附件完全停止之前切勿将工具放下。旋转附件可能会碰撞地面或工作台面而导致工具失控。
24. 您身边携带电动工具时请勿运行工具。防止因不小心接触到配件而导致衣物被卷入，甚至伤及身体。
25. 请勿在可燃物附近运行电动工具。火花可能会点燃这些物品。
26. 请勿使用需要冷却液的附件。使用水或其他冷却液可能会导致触电或死亡。
27. 对工具进行任何装配操作前请务必确认机器已关闭且已拔下电源插头。
28. 如果工作场所非常热并且潮湿，或者被导电灰尘严重污染，请使用短路断路器（30 mA）以保障操作者的人身安全。
29. 请务必确保立足稳固。在高处使用工具时确保下方无人。

30. 开始操作前，确保工作表面下方无隐藏的电路、煤气管路和水管等。切割或损坏这些管路可能会导致触电、煤气泄漏、财产损失或其他事故。

请保留此说明书。

警告： 请勿为图方便或因对产品足够熟悉（由于重复使用而获得的经验）而不严格遵循相关产品安全规则。使用不当或不遵循使用说明书中的安全规则会导致严重的人身伤害。

功能描述

小心： 在调节或检查工具功能之前，请务必关闭工具电源开关并拔下电源插头。

开关操作

小心： 插上工具电源插头之前，请务必确认工具已关闭。

要启动工具时，将滑动开关滑到“1 (ON)”位置。
停止工具时，滑动开关至“0 (OFF)”位置。

► **图片1：** 1. 滑动开关

调整旋转冲数

旋转冲数可调。转动拨盘可在1至5档之间切换旋转冲数。数字越大，旋转冲数越大。请根据工件性质预设档位。

► **图片2：** 1. 拨盘

注： 不可直接将拨盘的档位从1转至5或从5转至1。强行转动拨盘可能会损坏工具。在档位之间切换时，须从中间档位过渡。

装配

小心： 对工具进行任何装配操作前请务必确认机器已关闭且已拔下电源插头。

安装或拆卸应用工具

选购附件

警告： 安装应用工具时请勿上下颠倒。否则可能会损坏工具并造成严重的人身伤害。

警告： 根据作业需求，沿着正确的方向安装附属工具。应用工具的安装角度可调，调节幅度为30度。

警告： 安装应用工具时，务必使工具法兰的凸起部分对准应用工具上的孔插入。否则可能会导致应用工具脱开并造成人身伤害。

警告： 安装应用工具时，请务必拧紧应用工具安装螺栓。

将应用工具（选购附件）置于工具法兰上，将工具法兰的凸起部分对准应用工具上的孔插入，用六角扳手拧紧螺栓以固定应用工具。使用砂磨应用工具时，以正确的方向安装应用工具至砂盘。

砂盘配备钩型及环型安装系统，便于快速安装砂纸。

砂纸上有除尘孔，安装时注意将之与砂盘上的孔对齐。

如需取下砂纸，从一端掀起并撕下即可。

使用六角扳手拧松并拆卸应用工具，然后将之取下。

► **图片3：** 1. 应用工具安装螺栓 2. 应用工具上的孔 3. 工具法兰的凸起部分

► **图片4：** 1. 应用工具安装螺栓 2. 六角扳手 3. 拧紧

对于带有不同类型安装部的应用工具，使用相应的适配器（选购附件）。

► **图片5：** 1. 应用工具安装螺栓 2. 应用工具上的孔 3. 适配器 4. 工具法兰的凸起部分

操作

⚠警告： 启动工具前和操作期间，请勿让手和脸靠近应用工具。

⚠小心： 请勿使工具过载，否则会导致电机被锁，工具停止。

切、锯、刮

⚠小心： 请勿强行向某个方向（例如：朝任一侧）移动不带切割边的应用工具。这可能会损坏工具。

将应用工具置于工件上。
然后向前移动工具，使其移动速度不会变慢。

► 图片6

注： 强行操作工具或对其施加过度压力可能会降低效率。

注： 进行切割操作前，建议将旋转冲数设置为3-5。

砂磨

⚠小心： 请勿用已打磨过金属的砂纸打磨木材。

⚠小心： 请勿使用破损或无砂粒的砂纸。

用砂纸打磨工件。

► 图片7

注： 为确定合适的旋转冲数，建议先取工件样品测试。

注： 在打磨同一工件时请勿使用含有不同类型砂粒的砂纸。否则可能会影响打磨效果。

除尘装置

选购附件

⚠警告： 使用本工具打磨金属工件时，请不要使用除尘装置。炽热的灰尘可能会引燃集尘器中的灰尘并导致起火。

当您想进行清洁的操作时，请将除尘装置与工具连接。将集尘器的软管连接至除尘装置。

► 图片8

组装除尘装置并将其安装至工具。

1. 安装接头、集尘口及集尘附件。
2. 在工具上安装集尘口箍，使其凸起部分插入工具的孔中紧固。
3. 将毡环、衬套（如有必要）和砂盘置于集尘附件上，然后用应用工具安装螺栓紧固。
► **图片9：** 1. 接头 2. 集尘口箍 3. 集尘口 4. 集尘附件 5. 衬套 6. 毡环（ $\varnothing 47\text{ mm}$ ） 7. 砂盘（带STARLOCK标志） 8. 应用工具安装螺栓 9. 毡环（ $\varnothing 37\text{ mm}$ ） 10. 砂盘（带OIS标志）

注意： 使用带STARLOCK标志的砂盘时，请务必在集尘附件和毡环之间安装衬套。

保养

⚠小心： 检查或保养工具之前，请务必关闭工具电源开关并拔下插头。

注意： 切勿使用汽油、苯、稀释剂、酒精或类似物品清洁工具。否则可能会导致工具变色、变形或出现裂缝。

为了保证产品的安全与可靠性，维修、任何其他维修保养或调节需由Makita（牧田）授权的或工厂维修服务中心完成。务必使用Makita（牧田）的替换部件。

清洁

要经常使用干布或蘸有肥皂水的抹布擦拭工具。

► 图片10

SPESIFIKASI

Model:	M9800
Osilasi per menit	15.000 - 22.000 min ⁻¹
Sudut osilasi, kiri/kanan	1,6 ° (3,2 ° total)
Panjang keseluruhan	283 mm
Berat bersih	1,2 - 1,3 kg
Kelas keamanan	□/II

- Karena kesinambungan program penelitian dan pengembangan kami, spesifikasi yang disebutkan di sini dapat berubah tanpa pemberitahuan.
- Spesifikasi dapat berbeda dari satu negara ke negara lainnya.
- Berat alat mungkin berbeda tergantung perangkat tambahan yang dipasang. Kombinasi alat terberat dan teringan, sesuai Prosedur EPTA 01/2014, ditunjukkan pada tabel.

Simbol

Berikut ini adalah simbol-simbol yang dapat digunakan pada peralatan ini. Pastikan Anda memahami arti masing-masing simbol sebelum menggunakan peralatan.



Baca petunjuk penggunaan.



Gunakan kaca mata pengaman.



ISOLASI GANDA



Hanya untuk negara-negara Uni Eropa
Jangan membuang peralatan listrik atau baterai bersama-sama dengan bahan limbah rumah tangga! Dengan memerhatikan Petunjuk Eropa, tentang Limbah Peralatan Listrik dan Elektronik serta pelaksanaannya sesuai dengan ketentuan hukum nasional, peralatan listrik yang telah habis umur pakainya harus dikumpulkan secara terpisah dan dikembalikan ke fasilitas daur ulang yang kompatibel secara lingkungan.

Penggunaan

Penggunaan mesin ini ditujukan untuk menggergaji dan memotong kayu, plastik, gips, logam non-besi, dan elemen pengencang (misalnya paku dan staple yang tidak disepuh). Mesin ini juga ditujukan untuk pekerjaan ubin dinding lunak, serta pengampelasan kering dan pengikisan permukaan kecil. Terutama untuk pekerjaan di dekat tepian dan pemotongan perataan.

Pasokan daya

Mesin harus terhubung dengan pasokan daya listrik yang bertegangan sama dengan yang tertera pada pelat nama, dan hanya dapat dijalankan dengan listrik AC fase tunggal. Mesin diisolasi ganda dan oleh sebab itu dapat dihubungkan dengan soket tanpa kabel.

PERINGATAN KESELAMATAN

Peringatan keselamatan umum mesin listrik

⚠ PERINGATAN: Bacalah semua peringatan keselamatan, petunjuk, ilustrasi dan spesifikasi yang disertakan bersama mesin listrik ini. Kelalaian untuk mematuhi semua petunjuk yang tercantum di bawah ini dapat menyebabkan sengatan listrik, kebakaran dan/atau cedera serius.

Simpanlah semua peringatan dan petunjuk untuk acuan di masa depan.

Istilah “mesin listrik” dalam semua peringatan mengacu pada mesin listrik yang dijalankan dengan sumber listrik jala-jala (berkabel) atau baterai (tanpa kabel).

Keselamatan tempat kerja

1. **Jaga tempat kerja selalu bersih dan berpenerangan cukup.** Tempat kerja yang berantakan dan gelap mengundang kecelakaan.
2. **Jangan gunakan mesin listrik dalam lingkungan yang mudah meledak, misalnya jika ada cairan, gas, atau debu yang mudah menyala.** Mesin listrik menimbulkan bunga api yang dapat menyebarkan debu atau uap tersebut.
3. **Jauhkan anak-anak dan orang lain saat menggunakan mesin listrik.** Bila perhatian terpecah, anda dapat kehilangan kendali.

Keamanan Kelistrikan

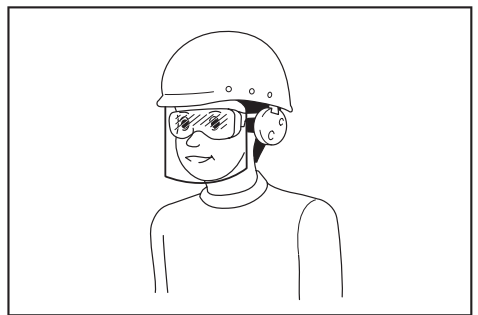
1. **Steker mesin listrik harus cocok dengan stopkontak. Jangan sekali-kali mengubah steker dengan cara apa pun. Jangan menggunakan steker adaptor dengan mesin listrik terbumi (dibumikan).** Steker yang tidak diubah dan stopkontak yang cocok akan mengurangi risiko sengatan listrik.

2. **Hindari sentuhan tubuh dengan permukaan terbumi atau yang dibumikan seperti pipa, radiator, kompor, dan kulkas.** Risiko sengatan listrik bertambah jika tubuh Anda terbumikan atau dibumikan.
3. **Jangan membiarkan mesin listrik kehujanan atau kebasahan.** Air yang masuk ke dalam mesin listrik akan meningkatkan risiko sengatan listrik.
4. **Jangan menyalahgunakan kabel.** Jangan sekali-kali menggunakan kabel untuk membawa, menarik, atau mencabut mesin listrik dari stopkontak. Jauhkan kabel dari panas, minyak, tepian tajam, atau bagian yang bergerak. Kabel yang rusak atau kusut memperbesar risiko sengatan listrik.
5. **Bila menggunakan mesin listrik di luar ruangan, gunakan kabel ekstensi yang sesuai untuk penggunaan di luar ruangan.** Penggunaan kabel yang sesuai untuk penggunaan luar ruangan mengurangi risiko sengatan listrik.
6. **Jika mengoperasikan mesin listrik di lokasi lembap tidak terhindarkan, gunakan pasokan daya yang dilindungi peranti imbasan arus (residual current device - RCD).** Penggunaan RCD mengurangi risiko sengatan listrik.
7. **Penggunaan pasokan daya melalui RCD dengan kapasitas arus sisa 30 mA atau kurang selalu dianjurkan.**
8. **Mesin listrik dapat menghasilkan medan magnet (EMF) yang tidak berbahaya bagi pengguna.** Namun, pengguna alat pacu jantung atau peralatan medis sejenisnya harus berkonsultasi dengan produsen peralatan tersebut dan/atau dokter mereka sebelum mengoperasikan mesin listrik ini.
9. **Jangan menyentuh colokan daya dengan tangan basah.**
10. **Jika kabel rusak, penggantian harus dilakukan oleh produsen atau agennya untuk menghindari bahaya keselamatan.**

Keselamatan Diri

1. **Jaga kewaspadaan, perhatikan pekerjaan Anda dan gunakan akal sehat bila menggunakan mesin listrik.** Jangan menggunakan mesin listrik saat Anda lelah atau di bawah pengaruh obat bius, alkohol, atau obat. Sekejap saja lalai saat menggunakan mesin listrik dapat menyebabkan cedera badan serius.
2. **Gunakan alat pelindung diri.** Selalu gunakan pelindung mata. Peralatan pelindung seperti masker debu, sepatu pengaman anti-selip, helm pengaman, atau pelindung telinga yang digunakan untuk kondisi yang sesuai akan mengurangi risiko cedera badan.
3. **Cegah penyalaan yang tidak disengaja.** Pastikan bahwa sakelar berada dalam posisi mati (off) sebelum menghubungkan mesin ke sumber daya dan/atau paket baterai, atau mengangkat atau membawanya. Membawa mesin listrik dengan jari Anda pada sakelarnya atau mengalirkan listrik pada mesin listrik yang sakelarnya hidup (on) akan mengundang kecelakaan.

4. **Lepaskan kunci-kunci penyetel sebelum menghidupkan mesin listrik.** Kunci-kunci yang masih terpasang pada bagian mesin listrik yang berputar dapat menyebabkan cedera.
5. **Jangan meraih terlalu jauh. Jagalah pijakan dan keseimbangan sepanjang waktu.** Hal ini memungkinkan kendali yang lebih baik atas mesin listrik dalam situasi yang tidak diharapkan.
6. **Kenakan pakaian yang memadai.** Jangan memakai pakaian yang longgar atau perhiasan. Jaga jarak antara rambut dan pakaian Anda dengan komponen mesin yang bergerak. Pakaian yang longgar, perhiasan, atau rambut yang panjang dapat tersangkut pada komponen yang bergerak.
7. **Jika tersedia fasilitas untuk menghisap dan mengumpulkan debu, pastikan fasilitas tersebut terhubung listrik dan digunakan dengan baik.** Penggunaan pembersih debu dapat mengurangi bahaya yang terkait dengan debu.
8. **Jangan sampai Anda lengah dan mengabaikan prinsip keselamatan mesin ini hanya karena sudah sering mengoperasikannya dan sudah merasa terbiasa.** Tindakan yang lalai dapat menyebabkan cedera berat dalam sepersekian detik saja.
9. **Selalu kenakan kacamata pelindung untuk melindungi mata dari cedera saat menggunakan mesin listrik.** Kacamata harus sesuai dengan ANSI Z87.1 di Amerika Serikat, EN 166 di Eropa, atau AS/NZS 1336 di Australia/Selandia Baru. Di Australia/Selandia Baru, secara hukum Anda juga diwajibkan mengenakan pelindung wajah untuk melindungi wajah Anda.



Menjadi tanggung jawab atasan untuk menerapkan penggunaan alat pelindung keselamatan yang tepat bagi operator mesin dan orang lain yang berada di area kerja saat itu.

Penggunaan dan pemeliharaan mesin listrik

1. **Jangan memaksa mesin listrik.** Gunakan mesin listrik yang tepat untuk keperluan Anda. Mesin listrik yang tepat akan menuntaskan pekerjaan dengan lebih baik dan aman pada kecepatan sesuai rancangannya.
2. **Jangan gunakan mesin listrik jika sakelar tidak dapat menyalakan dan mematikannya.** Mesin listrik yang tidak dapat dikendalikan dengan sakelarnya adalah berbahaya dan harus diperbaiki.

3. **Cabut steker dari sumber listrik dan/atau lepas paket baterai, jika dapat dilepas, dari mesin listrik sebelum melakukan penyetulan apa pun, mengganti aksesoris, atau menyimpan mesin listrik.** Langkah keselamatan preventif tersebut mengurangi risiko hidupnya mesin secara tak sengaja.
4. **Simpan mesin listrik jauh dari jangkauan anak-anak dan jangan biarkan orang yang tidak paham mengenai mesin listrik tersebut atau petunjuk ini menggunakan mesin listrik.** Mesin listrik sangat berbahaya di tangan pengguna yang tak terlatih.
5. **Rawatlah mesin listrik dan aksesoris. Periksa apakah ada komponen bergerak yang tidak lurus atau macet, komponen yang pecah, dan kondisi-kondisi lain yang dapat memengaruhi pengoperasian mesin listrik. Jika rusak, perbaiki dahulu mesin listrik sebelum digunakan.** Banyak kecelakaan disebabkan oleh kurangnya pemeliharaan mesin listrik.
6. **Jaga agar mesin pemotong tetap tajam dan bersih.** Mesin pemotong yang terawat baik dengan mata pemotong yang tajam tidak mudah macet dan lebih mudah dikendalikan.
7. **Gunakan mesin listrik, aksesoris, dan mata mesin, dll. sesuai dengan petunjuk ini, dengan memperhitungkan kondisi kerja dan jenis pekerjaan yang dilakukan.** Penggunaan mesin listrik untuk penggunaan yang lain dari peruntukan dapat menimbulkan situasi berbahaya.
8. **Jagalah agar gagang dan permukaan pegangan tetap kering, bersih, dan bebas dari minyak dan pelumas.** Gagang dan permukaan pegangan yang licin tidak mendukung keamanan penanganan dan pengendalian mesin dalam situasi-situasi tak terduga.
9. **Ketika menggunakan mesin, jangan menggunakan sarung tangan kain yang dapat tersangkut.** Sarung tangan kain yang tersangkut pada komponen bergerak dapat mengakibatkan cedera pada pengguna.

Servis

1. **Berikan mesin listrik untuk diperbaiki hanya kepada oleh teknisi yang berkualifikasi dengan menggunakan hanya suku cadang pengganti yang serupa.** Hal ini akan menjamin terjaganya keamanan mesin listrik.
2. **Patuhi petunjuk pelumasan dan penggantian aksesoris.**

Peringatan keselamatan mesin serbaguna

1. **Mesin listrik ini ditujukan untuk penggergajian, pemotongan, penggerindaan, dan pengampelasan.** Bacalah semua peringatan keselamatan, petunjuk, ilustrasi dan spesifikasi yang disertakan bersama mesin listrik ini. Kelalaian untuk mematuhi semua petunjuk yang tercantum di bawah ini dapat menyebabkan sengatan listrik, kebakaran, dan/atau cedera serius.
2. **Pegang mesin pada permukaan genggam yang terisolasi saat melakukan pekerjaan bila aksesoris pemotong mungkin bersentuhan dengan kawat tersembunyi atau kabelnya sendiri.** Aksesoris pemotong yang menyentuh kawat "hidup" dapat menyebabkan bagian logam pada mesin teraliri arus listrik dan menyengat pengguna.
3. **Gunakan klem atau cara praktis lainnya untuk mengikat dan menahan benda kerja pada posisi yang stabil.** Menahan benda kerja dengan tangan atau berada pada posisi berlawanan dengan badan Anda membuat benda kerja tidak stabil dan dapat menyebabkan kehilangan kendali.
4. **Posisikan kabel agar tidak terkena aksesoris yang berputar.** Jika Anda kehilangan kendali, kabel mungkin saja terpotong atau tersangkut dan tangan atau lengan Anda mungkin saja tertarik oleh aksesoris yang berputar.
5. **Selalu gunakan kacamata pengaman atau kacamata pelindung. Kacamata biasa atau kacamata hitam BUKANLAH kacamata pengaman.**
6. **Hindari memotong paku. Periksa apakah terdapat paku di benda kerja dan buang semua paku sebelum pengoperasian.**
7. **Pegang mesin kuat-kuat.**
8. **Pastikan bahwa peralatan pemasangan tidak menyentuh benda kerja sebelum sakelar dinyalakan.**
9. **Jauhkan tangan dari bagian yang berputar.**
10. **Jangan tinggalkan mesin dalam keadaan hidup. Jalankan mesin hanya ketika digenggam dengan tangan.**
11. **Selalu matikan dan tunggu sampai mata pisau benar-benar berhenti sebelum melepas mata pisau dari benda kerja.**
12. **Jangan menyentuh peralatan pemasangan atau benda kerja segera setelah pengoperasian; suhunya mungkin masih sangat panas dan dapat membakar kulit Anda.**
13. **Jangan mengoperasikan mesin tanpa beban dengan tanpa keperluan.**
14. **Selalu gunakan masker debu/alat pernapasan yang tepat sesuai bahan dan pekerjaan yang sedang Anda kerjakan.**
15. **Bahan tertentu mengandung zat kimia yang mungkin beracun. Hindari menghirup debu dan persentuhan dengan kulit. Ikuti data keselamatan bahan dari pemasok.**

16. Mesin ini tidak tahan air, jadi jangan menggunakan air pada permukaan benda kerja.
17. Beri ruang udara secukupnya ketika Anda melakukan pekerjaan pengampelasan.
18. Penggunaan mesin ini untuk mengampelas produk, misalnya permukaan cat bertimbal, kayu, dan logam bisa menyebabkan penggunaan dan orang lain di dekatnya menghirup debu yang mengandung zat-zat berbahaya. Gunakan alat pelindung pernafasan yang sesuai.
19. Pastikan bahwa tidak ada retakan atau kerusakan pada bantalan sebelum penggunaan. Retakan atau kerusakan bisa menyebabkan cedera.
20. Jangan gunakan aksesoris yang tidak dirancang secara khusus dan dianjurkan oleh produsen mesin. Hanya karena aksesoris tersebut dapat dipasang pada mesin listrik Anda, bukan berarti dapat menjamin keselamatan dalam pengoperasian.
21. Kenakan alat pelindung diri. Tergantung pekerjaannya, gunakan pelindung muka, kacamata pelindung atau kacamata pengaman. Sesuai dengan pekerjaannya, kenakan pelindung telinga, sarung tangan, dan apron bengkel yang mampu menahan debu gerinda atau potongan benda kerja. Pelindung mata harus mampu menahan debu yang beterbangan, yang ditimbulkan dari berbagai jenis pekerjaan. Masker debu atau alat pernafasan harus mampu menyaring partikel yang dihasilkan dari pekerjaan Anda. Terpaan yang berkepanjangan terhadap kebisingan berintensitas tinggi dapat menyebabkan hilangnya pendengaran.
22. Jaga agar orang di sekitar berada dalam jarak aman yang jauh dari area kerja. Siapa pun yang masuk ke area kerja harus mengenakan alat pelindung diri. Potongan benda kerja atau dari aksesoris yang rusak mungkin saja terlempar dan menyebabkan cedera di area yang langsung berdekatan dengan pekerjaan.
23. Jangan pernah meletakkan mesin listrik sebelum aksesorinya benar-benar berhenti. Aksesoris yang berputar dapat menyambar permukaan dan menarik mesin listrik di luar kendali Anda.
24. Jangan menyalakan mesin listrik sambil membawanya di sisi badan Anda. Sentuhan yang tidak disengaja oleh aksesoris dapat merobek pakaian Anda, yang akan menarik aksesoris ke arah badan Anda.
25. Jangan mengoperasikan mesin listrik di dekat benda-benda yang mudah terbakar. Percikan apinya dapat menyulut benda-benda tersebut.
26. Jangan menggunakan aksesoris yang membutuhkan cairan pendingin. Menggunakan air atau cairan pendingin lain dapat mengakibatkan kematian akibat sengatan listrik.
27. Pastikan bahwa mesin dalam keadaan mati dan steker tercabut sebelum melakukan pekerjaan apa pun pada mesin.
28. Jika tempat kerja sangat panas dan lembap, sangat kotor oleh debu konduktif, gunakan pemutus daya (30 mA) untuk menjamin keselamatan operator.
29. Selalu pastikan Anda memiliki pijakan kuat. Pastikan tidak ada orang di bawah Anda ketika menggunakan mesin di lokasi tinggi.
30. Sebelum memulai penggunaan, pastikan tidak ada jalur suplai tersembunyi seperti listrik, gas, dan saluran air di bawah permukaan area kerja. Memotong atau merusak jalur suplai dapat menyebabkan sengatan listrik, kebocoran gas, kerusakan properti, atau kecelakaan lainnya.

SIMPAN PETUNJUK INI.

⚠️ PERINGATAN: JANGAN biarkan kenyamanan atau terbiasanya Anda dengan produk (karena penggunaan berulang) mengurangi kepatuhan yang ketat terhadap aturan keselamatan untuk produk yang terkait. PENYALAHGUNAAN atau kelalaian mematuhi kaidah keselamatan yang tertera dalam petunjuk ini dapat menyebabkan cedera badan serius.

DESKRIPSI FUNGSI

⚠️ PERHATIAN: Selalu pastikan bahwa mesin dalam keadaan mati dan steker tercabut sebelum menyatel atau memeriksa kerja mesin.

KERJA sakelar

⚠️ PERHATIAN: Sebelum memasukkan steker, pastikan bahwa mesin dalam keadaan mati.

Untuk memulai mesin, geser sakelar geser ke arah posisi "I (ON)".
 Untuk menghentikan mesin, geser sakelar ke arah posisi "O (OFF)".
 ► **Gbr.1:** 1. Sakelar geser

Menyatel laju langkah orbital

Laju langkah orbital dapat disatel. Untuk mengubah laju langkah orbital, putar sakelar antara 1 dan 5. Semakin tinggi angka, semakin tinggi laju langkah orbitalnya. Atur sakelar ke nomor yang sesuai untuk benda kerja Anda.

► **Gbr.2:** 1. Sakelar

CATATAN: Sakelar tidak dapat diubah langsung dari 1 ke 5 atau dari 5 ke 1. Memaksa sakelar dapat merusak mesin. Ketika mengubah arah sakelar, selalu putar sakelar dengan menggerakannya melalui nomor yang berada di tengahnya.

PERAKITAN

⚠️ PERHATIAN: Pastikan bahwa mesin dalam keadaan mati dan steker tercabut sebelum melakukan pekerjaan apa pun pada mesin.

Memasang atau melepas alat pengaplikasian

Pilihan Aksesori

⚠️ PERINGATAN: Jangan memasang alat pengaplikasian secara terbalik. Memasang alat pengaplikasian secara terbalik dapat merusak mesin dan menyebabkan cedera serius.

⚠️ PERINGATAN: Pasang perangkat tambahan dengan arah yang benar sesuai pekerjaan Anda. Alat pengaplikasian dapat dipasang pada sudut setiap 30 derajat.

⚠️ PERINGATAN: Selalu pasang alat pengaplikasian sehingga tonjolan flensa mesin masuk pada lubang di alat pengaplikasian. Kelalaian untuk melakukannya dapat menyebabkan alat pengaplikasian terlempar dan mengakibatkan cedera.

⚠️ PERINGATAN: Saat memasang alat pengaplikasian, pastikan untuk mengencangkan baut pemasangan alat pengaplikasian dengan kuat.

Letakkan alat pengaplikasian (aksesori pilihan) pada flensa mesin sehingga tonjolan flensa mesin masuk pada lubang di alat pengaplikasian dan amankan alat pengaplikasian dengan mengencangkan baut menggunakan kunci L dengan kuat. Saat menggunakan alat pengaplikasian pengampelasan, pasang alat pengaplikasian pada bantalan ampelas agar sesuai dengan arah pengampelasan. Bantalan ampelas memiliki kait dan sistem pemasangan tipe loop yang memungkinkan pemasangan ampelas dengan mudah dan cepat. Karena ampelas memiliki lubang untuk ekstraksi debu, pasang ampelas sehingga lubang-lubang pada ampelas sesuai pada bantalan ampelas.

Untuk melepas ampelas, angkat ujungnya dan lepaskan.

Kendurkan dan lepaskan baut pemasangan alat pengaplikasian menggunakan kunci L, kemudian lepaskan alat pengaplikasian.

► **Gbr.3:** 1. Baut pemasangan alat pengaplikasian
2. Lubang di alat pengaplikasian 3. Tonjolan flensa mesin

► **Gbr.4:** 1. Baut pemasangan alat pengaplikasian
2. Kunci L 3. Kencangkan

Saat menggunakan alat pengaplikasian dengan tipe bagian pemasangan yang berbeda, gunakan adaptor yang benar (aksesori pilihan).

► **Gbr.5:** 1. Baut pemasangan alat pengaplikasian
2. Lubang di alat pengaplikasian 3. Adaptor
4. Tonjolan flensa mesin

PENGUNAAN

⚠️ PERINGATAN: Sebelum memulai mesin dan selama pengoperasian, jauhkan tangan dan wajah Anda dari alat pengaplikasian.

⚠️ PERHATIAN: Jangan memberikan beban berlebih ke alat yang dapat menyebabkan mesin terkunci dan menghentikan alat.

Pemotongan, penggergajian, dan pengikisan

⚠️ PERHATIAN: Jangan pindahkan mesin secara paksa ke arah (misalnya ke salah satu sisi) pengaplikasian mesin tanpa tepi potong. Hal tersebut bisa merusak mesin.

Letakkan alat pengaplikasian pada benda kerja. Kemudian pindahkan mesin ke depan sehingga pergerakan alat pengaplikasian tidak melambat.

► **Gbr.6**

CATATAN: Memaksa atau memberi tekanan berlebih pada mesin dapat mengurangi efisiensi.

CATATAN: Sebelum operasi pemotongan, disarankan untuk menetapkan laju langkah orbital 3 - 5.

Pengampelasan

⚠️ PERHATIAN: Setelah digunakan untuk mengampelas logam, jangan gunakan ampelas yang sama untuk mengampelas kayu.

⚠️ PERHATIAN: Jangan gunakan ampelas yang aus atau ampelas tanpa permukaan pasir.

Terapkan ampelas pada benda kerja.

► **Gbr.7**

CATATAN: Disarankan untuk menggunakan sampel bahan uji guna untuk menentukan laju langkah orbital yang tepat bagi pekerjaan Anda.

CATATAN: Gunakan ampelas dengan permukaan pasir yang sama sampai pengampelasan seluruh benda kerja selesai. Mengganti ampelas dengan ampelas yang permukaan pasirnya berbeda dapat menyebabkan hasil akhir yang kurang baik.

Perangkat tambahan pengumpul debu

Pilihan Aksesori

⚠️ PERINGATAN: Jangan gunakan perangkat tambahan pengumpul debu saat mengasah benda kerja logam dengan mesin ini. Debu panas dapat menyulut debu di dalam pengisap debu dan dapat menyebabkan kebakaran.

Jika Anda ingin melakukan pengoperasian yang lebih bersih, pasang perangkat tambahan pengumpul debu. Sambungkan selang pengisap debu ke perangkat tambahan pengumpul debu.

► Gbr.8

Rakit perangkat tambahan pengumpul debu dan pasang ke mesin.

1. Pasang sambungan, nosel debu, dan perangkat tambahan pengisap debu.
2. Pasang pita nosel pada mesin sehingga tonjolannya masuk pada lubang di mesin untuk mengencangkannya.
3. Pasang cincin peredam, pengatur jarak (jika perlu), dan bantalan ampelas pada perangkat tambahan pengisap debu, kemudian kencangkan dengan baut pemasangan alat pengaplikasian.

► **Gbr.9:** 1. Sambungan 2. Pita nosel 3. Nosel debu 4. Perangkat tambahan pengisap debu 5. Pengatur jarak 6. Cincin peredam (ø 47 mm) 7. Bantalan (dengan tanda STARLOCK) 8. Baut pemasangan alat pengaplikasian 9. Cincin peredam (ø 37 mm) 10. Bantalan (dengan tanda OIS)

PEMBERITAHUAN: Saat menggunakan bantalan dengan tanda STARLOCK, pastikan untuk memasang pengatur jarak antara perangkat tambahan pengisap debu dan cincin peredam.

PERAWATAN

⚠️ PERHATIAN: Selalu pastikan bahwa mesin dimatikan dan steker dicabut sebelum melakukan pemeriksaan atau perawatan.

PEMBERITAHUAN: Jangan sekali-kali menggunakan bensin, tiner, alkohol, atau bahan sejenisnya. Penggunaan bahan demikian dapat menyebabkan perubahan warna, perubahan bentuk atau timbulnya retakan.

Untuk menjaga KEAMANAN dan KEANDALAN mesin, perbaikan, perawatan atau penyetulan lainnya harus dilakukan oleh Pusat Layanan Resmi atau Pabrik Makita; selalu gunakan suku cadang pengganti buatan Makita.

Pembersihan

Bersihkan mesin secara berkala menggunakan kain kering atau kain yang dibasahi dengan air sabun.

► Gbr.10

SPEKIFIKASI

Model:	M9800
Ayunan seminit	15,000 - 22,000 min ⁻¹
Sudut ayunan, kiri/kanan	1.6 ° (3.2 ° jumlah)
Panjang keseluruhan	283 mm
Berat bersih	1.2 - 1.3 kg
Kelas keselamatan	□/II

- Disebabkan program penyelidikan dan pembangunan kami yang berterusan, spesifikasi yang terkandung di dalam ini adalah tertakluk kepada perubahan tanpa notis.
- Spesifikasi mungkin berbeza mengikut negara.
- Berat mungkin berbeza bergantung kepada pemasangan. Kombinasi paling ringan dan paling berat, mengikut Prosedur EPTA 01/2014, ditunjukkan di dalam jadual.

Simbol

Berikut menunjukkan simbol-simbol yang boleh digunakan untuk alat ini. Pastikan anda memahami maksudnya sebelum menggunakan.



Baca manual arahan.



Pakai cermin mata keselamatan.



PENEBATAN BERGANDA



Hanya untuk negara-negara Kesatuan Eropah
Jangan buang peralatan elektrik bersama bahan sisa rumah! Dalam mematuhi Arahan Eropah mengenai Sisa Peralatan Elektrik dan Elektronik serta pelaksanaannya mengikut undang-undang negara, peralatan elektrik yang telah mencapai akhir hayatnya mesti dikumpul secara berasingan dan dikembalikan ke kemudahan kitar semula yang bersesuaian dengan alam sekitar.

Tujuan penggunaan

Alat ini bertujuan untuk menggergaji dan memotong kayu, plastik, gips, logam bukan ferus, dan unsur pengikat (cth. paku dan pin kokot lembut). Ia juga bertujuan untuk kerja-kerja jubin dinding lembut, serta pemasangan kering dan mengikis permukaan kecil. Ia terutamanya untuk bekerja dekat dengan pemotongan tepi dan sedatar.

Bekalan kuasa

Alat ini perlu disambungkan hanya kepada bekalan kuasa dengan voltan yang sama seperti yang ditunjukkan pada papan nama, dan hanya boleh dikendalikan pada bekalan AC fasa tunggal. Ia mempunyai penebatan berganda dan oleh itu, ia juga boleh digunakan pada soket tanpa wayar bumi.

AMARAN KESELAMATAN

Amaran keselamatan umum alat kuasa

⚠️ AMARAN: Baca semua amaran keselamatan, arahan, ilustrasi dan spesifikasi yang disediakan dengan alat kuasa ini. Kegagalan mengikut semua arahan yang disenaraikan di bawah boleh menyebabkan kejutan elektrik, kebakaran dan/atau kecederaan serius.

Simpan semua amaran dan arahan untuk rujukan masa depan.

Istilah "alat kuasa" dalam amaran merujuk kepada alat kuasa yang menggunakan tenaga elektrik (dengan kord) atau alat kuasa yang menggunakan bateri (tanpa kord).

Keselamatan kawasan kerja

1. **Pastikan kawasan kerja bersih dan diterangi dengan baik.** Kawasan berselerak atau gelap mengundang kemalangan.
2. **Jangan kendalikan alat kuasa dalam keadaan yang mudah meletup, seperti dalam kehadiran cecair, gas atau habuk yang mudah terbakar.** Alat kuasa menghasilkan percikan api yang boleh menyalakan debu atau wasap.
3. **Jauhkan kanak-kanak dan orang ramai semasa mengendalikan alat kuasa.** Gangguan boleh menyebabkan anda hilang kawalan.

Keselamatan elektrik

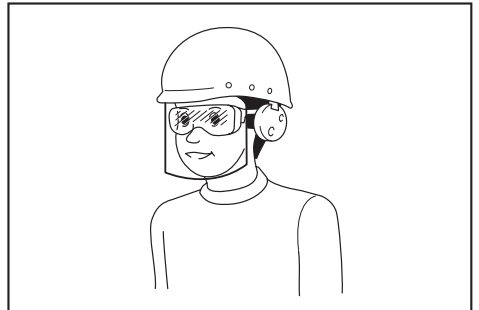
1. **Palam alat kuasa mesti sepadan dengan soket. Jangan ubah suai palam dalam apa cara sekalipun. Jangan gunakan sebarang palam penyesuai dengan alat kuasa terbumi.** Palam yang tidak diubah suai dan soket yang sepadan akan mengurangkan risiko kejutan elektrik.

2. **Elakkan sentuhan badan dengan permukaan terbumi, seperti paip, radiator, dapur dan peti sejuk.** Terdapat peningkatan risiko kejutan elektrik jika elektrik terbumi terkena badan anda.
3. **Jangan biarkan alat kuasa terkena hujan atau basah.** Air yang memasuki alat kuasa akan meningkatkan risiko kejutan elektrik.
4. **Jangan salah gunakan kord.** Jangan gunakan kord untuk membawa, menarik atau mencabut palam alat kuasa. Jauhkan kord dari haba, minyak, bucu tajam atau bahagian yang bergerak. Kord yang rosak atau tersimpul meningkatkan risiko kejutan elektrik.
5. **Semasa mengendalikan alat kuasa di luar, gunakan kord sambungan yang bersesuaian untuk kegunaan luar.** Penggunaan kord yang sesuai untuk kegunaan luar mengurangkan risiko kejutan elektrik.
6. **Sekiranya pengendalian alat kuasa di lokasi lembap tidak dapat dielakkan, gunakan bekalan peranti arus sisa (RCD) yang dilindungi.** Penggunaan RCD mengurangkan risiko kejutan elektrik.
7. **Penggunaan bekalan kuasa melalui RCD dengan arus sisa yang bernilai 30 mA atau kurang sentiasa disyorkan.**
8. **Alat kuasa boleh menghasilkan medan elektromagnetik (EMF) yang tidak berbahaya kepada pengguna.** Walau bagaimanapun, pengguna perentak jantung atau peranti perubatan yang serupa harus menghubungi pembuat peranti mereka dan/atau doktor untuk nasihat sebelum mengendalikan alat kuasa ini.
9. **Jangan sentuh palam kuasa dengan tangan yang basah.**
10. **Jika kord rosak, minta ia diganti oleh pengilang atau ejennya bagi mengelakkan bahaya keselamatan.**

Keselamatan diri

1. **Sentiasa berwaspada, perhatikan apa yang anda lakukan dan guna akal budi semasa mengendalikan alat kuasa.** Jangan gunakan alat kuasa semasa anda letih atau di bawah pengaruh dadah, alkohol atau ubat. Kelekaan seketika semasa mengendalikan alat kuasa boleh menyebabkan kecederaan diri yang serius.
2. **Gunakan peralatan pelindungan diri.** Sentiasa pakai pelindung mata. Peralatan pelindungan seperti topeng debu, kasut keselamatan tak mudah tergelincir, topi keselamatan atau pelindung pendengaran yang digunakan untuk keadaan yang sesuai akan mengurangkan kecederaan diri.
3. **Elakkan permulaan yang tidak disengajakan.** Pastikan suis ditutup sebelum menyambung kepada sumber kuasa dan/atau pek bateri, semasa mengangkat atau membawa alat. Membawa alat kuasa dengan jari anda pada suis atau menahan alat kuasa dengan suis pada kedudukan hidup mengundang kemalangan.
4. **Alihkan sebarang kunci atau sepana pelaras sebelum menghidupkan alat kuasa.** Sepana atau kunci yang ditinggalkan pada bahagian berputar alat kuasa boleh menyebabkan kecederaan diri.

5. **Jangan lampau jangkau.** Jaga pijakan dan keseimbangan yang betul pada setiap masa. Ini membolehkan kawalan alat kuasa yang lebih baik dalam situasi yang tidak dijangka.
6. **Berpakaian dengan betul.** Jangan pakai pakaian yang longgar atau barang kemas. Jauhkan rambut dan pakaian anda dari bahagian yang bergerak. Pakaian longgar, barang kemas atau rambut yang panjang boleh terperangkap dalam bahagian yang bergerak.
7. **Jika peranti disediakan untuk sambungan kemudahan pengekstrakan dan pengumpulan habuk, pastikan ia disambung dan digunakan dengan betul.** Penggunaan pengumpulan habuk boleh mengurangkan bahaya berkaitan habuk.
8. **Jangan biarkan kebiasaan daripada kekerapan penggunaan alat membuatkan anda berpuas hati dan mengabaikan prinsip keselamatan alat.** Kecuaian boleh menyebabkan kecederaan serius dalam sekelip mata.
9. **Sentiasa pakai kaca mata pelindung untuk melindungi mata anda daripada kecederaan apabila menggunakan alat kuasa.** Kaca mata mestilah mematuhi ANSI Z87.1 di AS, EN 166 di Eropah, atau AS/NZS 1336 di Australia/ New Zealand. Di Australia/New Zealand, undang-undang mengarahkan untuk memakai pelindung muka bagi melindungi muka anda, juga.



Menjadi tanggungjawab majikan untuk menguatkuasa penggunaan peralatan perlindungan keselamatan yang bersesuaian oleh pengendali alat dan oleh orang lain dalam kawasan bekerja semasa.

Penggunaan dan penjagaan alat kuasa

1. **Jangan gunakan alat kuasa dengan kasar.** Gunakan alat kuasa yang betul untuk penggunaan anda. Alat kuasa yang betul akan melakukan tugas dengan lebih baik dan lebih selamat pada kadar mana ia direka cipta.
2. **Jangan gunakan alat kuasa jika suis tidak berfungsi untuk menghidupkan dan mematikannya.** Alat kuasa yang tidak dapat dikawal dengan suis adalah berbahaya dan mesti dibaiki.

Amaran keselamatan alat pelbagai

3. **Cabut palam dari sumber kuasa dan/atau keluarkan pek bateri, jika boleh ditanggalkan, dari alat kuasa sebelum membuat sebarang pelarasan, menukar aksesori, atau menyimpan alat kuasa.** Langkah-langkah keselamatan pencegahan sedemikian mengurangkan risiko memulakan alat kuasa secara tidak sengaja.
4. **Simpan alat kuasa yang tidak digunakan jauh dari jangkauan kanak-kanak dan jangan biarkan orang yang tidak biasa dengan alat kuasa atau arahan ini untuk mengendalikan alat kuasa.** Alat kuasa adalah berbahaya di tangan pengguna yang tidak terlatih.
5. **Menyelenggara alat kuasa dan aksesori.** Periksa salah jajaran atau ikatan pada bahagian yang bergerak, bahagian yang pecah dan apa-apa keadaan lain yang boleh menjejaskan operasi alat kuasa. Jika rosak, baik alat kuasa sebelum digunakan. Kebanyakan kemalangan adalah disebabkan oleh alat kuasa yang tidak dijaga dengan baik.
6. **Pastikan alat pemotong tajam dan bersih.** Alat pemotong yang dijaga dengan betul dengan hujung pemotong yang tajam mempunyai kemungkinan yang rendah untuk terikat dan lebih mudah dikendalikan.
7. **Gunakan alat kuasa, aksesori dan alat bit dan sebagainya mengikut arahan ini dengan mengambil kira keadaan kerja dan kerja yang perlu dilakukan.** Penggunaan alat kuasa untuk operasi yang berbeza dari yang dimaksudkan boleh menyebabkan keadaan berbahaya.
8. **Pastikan pemegang dan permukaan pegangan kering, bersih dan bebas dari minyak dan gris.** Pemegang dan permukaan pegangan yang licin tidak membolehkan pengendalian dan kawalan selamat bagi alat dalam situasi yang tidak dijangka.
9. **Apabila menggunakan alat, jangan pakai sarung tangan kerja kain yang mungkin boleh kusut.** Kekusutan sarung tangan kerja kain pada bahagian yang bergerak boleh menyebabkan kecederaan diri.

Servis

1. **Pastikan alat kuasa anda diservis oleh orang yang berkelayakan dengan hanya menggunakan alat ganti yang sama.** Ini akan memastikan keselamatan alat kuasa dapat dikekalkan.
2. **Ikut arahan untuk melincir dan menukar aksesori.**

1. **Alat kuasa ini bertujuan untuk berfungsi bagi penggergajian, pemotongan, pengisar dan pemasiran. Baca semua amaran keselamatan, arahan, ilustrasi dan spesifikasi yang disediakan dengan alat kuasa ini.** Kegagalan mengikuti semua arahan yang disenaraikan di bawah boleh menyebabkan kejutan elektrik, kebakaran dan/atau kecederaan serius.
2. **Pegang alat kuasa pada permukaan mencengkam terlebat apabila melakukan operasi yang aksesori pemotong mungkin tersentuh wayar tersembunyi atau kordnya sendiri.** Aksesori pemotong yang bersentuh dengan wayar "hidup" boleh menyebabkan bahagian logam terdedah alat kuasa "hidup" dan boleh memberi kejutan elektrik kepada pengendali.
3. **Gunakan pengapit atau cara praktikal lain untuk mengukuhkan dan menyokong bahan kerja pada platform yang stabil.** Memegang kerja dengan tangan anda atau menyandar pada badan menyebabkan ia tidak stabil dan boleh menyebabkan hilang kawalan.
4. **Jauhkan kord daripada aksesori yang berputar.** Jika anda hilang kawalan, kord boleh terpotong atau tersangkut dan tangan atau lengan anda boleh tertarik ke dalam aksesori yang berputar.
5. **Sentiasa gunakan kaca mata keselamatan atau goggles.** Cermin mata atau cermin mata gelap biasa BUKAN cermin mata keselamatan.
6. **Elakkan memotong paku.** Periksa bahan kerja untuk mana-mana paku dan keluarkannya sebelum operasi.
7. **Pegang alat dengan kukuh.**
8. **Pastikan alat aplikasi tidak menyentuh bahan kerja sebelum suis dihidupkan.**
9. **Jauhkan tangan dari bahagian bergerak.**
10. **Jangan tinggalkan alat yang sedang berjalan. Kendalikan alat hanya apabila dipegang.**
11. **Sentiasa matikan dan tunggu sehingga bilah berhenti sepenuhnya sebelum mengeluarkan bilah daripada bahan kerja.**
12. **Jangan sentuh alat aplikasi atau bahan kerja dengan serta-merta selepas operasi; ia mungkin sangat panas dan boleh melecurkan kulit anda.**
13. **Jangan kendalikan alat tanpa beban tanpa keperluan.**
14. **Sentiasa gunakan topeng habuk/alat pernafasan yang betul untuk bahan dan aplikasi yang anda sedang kerjakan.**
15. **Setengah bahan mengandungi bahan kimia yang mungkin toksik. Sila berhati-hati untuk mencegah penyedutan habuk dan sentuhan kulit. Ikut data keselamatan pembekal bahan.**
16. **Alat ini tidak kalis air, jadi jangan gunakan air pada permukaan bahan kerja.**
17. **Udarakan kawasan kerja anda secukupnya semasa anda menjalankan operasi pemasiran.**

18. Penggunaan alat ini untuk memasir sesetengah produk cth. permukaan cat berplumbum, kayu dan logam yang boleh mendedahkan pengguna kepada habuk yang mengandungi bahan berbahaya. Gunakan pelindung pernafasan yang betul.
19. Pastikan bahawa tidak terdapat retakan atau pecah pada pad sebelum digunakan. Retakan atau pecah boleh menyebabkan kecederaan peribadi.
20. Jangan gunakan aksesori yang tidak direka secara khusus dan disyorkan oleh pengilang alat. Hanya kerana aksesori boleh dipasang pada alat kuasa anda, itu tidak menjamin operasi yang selamat.
21. Pakai peralatan pelindung diri. Bergantung kepada penggunaan, gunakan pelindung muka, gogal keselamatan atau cermin mata keselamatan. Sebagaimana yang sesuai, pakai pelindung pendengaran, sarung tangan dan apron bengkel yang mampu menghalang serpihan pelepas atau bahan kerja yang kecil. Pelindung mata mesti mampu menghalang serpihan yang terbang yang dihasilkan oleh pelbagai operasi. Topeng habuk atau alat pernafasan mesti mampu menapis zarah yang dihasilkan oleh operasi anda. Pendedahan yang berlanjutan kepada hingar dengan keamatan yang tinggi boleh menyebabkan hilang pendengaran.
22. Pastikan orang ramai berada pada jarak yang selamat dari kawasan kerja. Sesiapa sahaja yang memasuki kawasan kerja mesti memakai peralatan pelindung diri. Serpihan bahan kerja atau aksesori yang pecah mungkin berterbangan dan menyebabkan kecederaan di luar kawasan operasi terdekat.
23. Jangan sekali-kali meletakkan alat kuasa ke bawah sehingga aksesori telah berhenti sepenuhnya. Aksesori yang berputar boleh menyambar permukaan dan menarik alat kuasa daripada kawalan anda.
24. Jangan jalankan alat kuasa ketika membawanya di sisi anda. Sentuhan secara tidak sengaja dengan aksesori boleh menyebabkan pakaian anda tersangkut dan menarik aksesori ke badan anda.
25. Jangan kendalikan alat kuasa berhampiran bahan mudah terbakar. Percikan boleh menyalakan bahan ini.
26. Jangan gunakan aksesori yang memerlukan bahan pendingin cecair. Penggunaan air atau bahan pendingin cecair yang lain boleh menyebabkan renjatan elektrik.
27. Sentiasa pastikan alat dimatikan dan palamnya dicabut sebelum menjalankan apa-apa kerja pada alat.
28. Jika tempat kerja sangat panas dan lembap atau sangat tercemar oleh habuk berkonduksi, gunakan pemutus litar pintas (30 mA) untuk memastikan keselamatan pengendali.
29. Sentiasa pastikan anda mempunyai tapak berpijak yang kukuh. Pastikan tiada sesiapa di bawah apabila menggunakan alat di lokasi yang tinggi.
30. Sebelum memulakan operasi, pastikan tiada talian bekalan tersembunyi seperti talian elektrik, gas dan air di bawah permukaan kerja. Memotong atau merosakkan talian bekalan boleh menyebabkan renjatan elektrik, kebocoran gas, kerosakan harta benda, atau kemalangan lain.

SIMPAN ARAHAN INI.

⚠️AMARAN: JANGAN biarkan keselesaan atau kebiasaan dengan produk (daripada penggunaan berulang) menggantikan pematuhan ketat terhadap peraturan keselamatan untuk produk yang ditetapkan. SALAH GUNA atau kegagalan mematuhi peraturan-peraturan keselamatan yang dinyatakan dalam manual arahan ini boleh menyebabkan kecederaan diri yang serius.

KETERANGAN FUNGSI

⚠️PERHATIAN: Sentiasa pastikan alat dimatikan dan dicabut sebelum menyelaras atau menyemak fungsi pada alat.

Tindakan suis

⚠️PERHATIAN: Sebelum memasang alat, sentiasa periksa untuk melihat bahawa alat telah dimatikan.

Untuk memulakan alat, luncurkan suis luncur ke arah posisi "I (ON)".
Untuk menghentikan alat itu, luncurkan suis luncur ke arah kedudukan "O (OFF)".

► **Rajah1:** 1. Suis luncur

Melaraskan kadar pukulan orbital

Kadar pukulan orbital adalah boleh laras. Untuk menukar kadar pukulan orbital, putar dail antara 1 dan 5. Semakin besar nombor, semakin tinggi kadar pukulan orbital. Pratetapkan dail kepada nombor yang sesuai untuk bahan kerja anda.

► **Rajah2:** 1. Dail

NOTA: Dail tidak boleh diputar terus daripada 1 kepada 5 atau daripada 5 kepada 1. Memaksa dail boleh merosakkan alat. Apabila menukar arah dail, sentiasa putarkan dail dengan menggerakkannya melalui setiap nombor perantaraan.

PEMASANGAN

⚠️ PERHATIAN: Sentiasa pastikan alat dimatikan dan palamnya dicabut sebelum menjalankan apa-apa kerja pada alat.

Memasang atau menanggalkan alat aplikasi

Aksesori pilihan

⚠️ AMARAN: Jangan pasang alat aplikasi terbalik. Memasang alat aplikasi terbalik boleh merosakkan alat dan menyebabkan kecederaan diri yang serius.

⚠️ AMARAN: Pasang alat aplikasi ke arah yang betul mengikut kerja anda. Alat aplikasi boleh dipasang pada sudut setiap 30 darjah.

⚠️ AMARAN: Sentiasa pasang alat aplikasi pada bibir alat supaya tonjolan bibir alat muat di dalam lubang pada alat aplikasi. Kegagalan berbuat demikian boleh menyebabkan alat aplikasi tercampak dan mengakibatkan kecederaan diri.

⚠️ AMARAN: Apabila memasang alat aplikasi, pastikan untuk mengetatkan bolt pemasangan alat aplikasi dengan kuat.

Letakkan alat aplikasi (aksesori pilihan) pada bibir alat supaya tonjolan bibir alat muat di dalam lubang dalam alat aplikasi dan kukuhkan alat aplikasi dengan mengetatkan bolt dengan kuat menggunakan kunci allen.

Semasa menggunakan alat pemasangan, pasang alat aplikasi pada pad pemasangan supaya ia sepadan dengan arah pad pemasangan.

Pad pemasangan mempunyai sistem padanan jenis cangkuk dan gelung yang membolehkan padanan mudah dan pantas kertas pemasangan.

Memandangkan kertas pasir mempunyai lubang untuk pengekstrakan habuk, pasang kertas pasir supaya lubang dalam kertas pasir sepadan dengan lubang yang terdapat dalam pad pemasangan.

Untuk mengeluarkan kertas pasir, angkat hujungnya dan tanggalkannya.

Longgarkan dan tanggalkan bolt pemasangan alat aplikasi menggunakan kunci allen dan kemudian cabut alat aplikasi.

► **Rajah3:** 1. Bolt pemasangan alat aplikasi 2. Lubang pada alat aplikasi 3. Tonjolan bibir alat

► **Rajah4:** 1. Bolt pemasangan alat aplikasi 2. Kunci allen 3. Ketatkan

Semasa menggunakan alat aplikasi dengan jenis bahagian pemasangan yang berbeza, gunakan penyesuai yang betul (aksesori pilihan).

► **Rajah5:** 1. Bolt pemasangan alat aplikasi 2. Lubang pada alat aplikasi 3. Penyesuai 4. Tonjolan bibir alat

OPERASI

⚠️ AMARAN: Sebelum memulakan alat dan semasa operasi, jauhkan tangan dan wajah anda dari alat aplikasi.

⚠️ PERHATIAN: Jangan kenakan beban berlebihan pada alat yang boleh menyebabkan motor terkunci dan menghentikan alat tersebut.

Pemotongan, penggergajian, pengikisan

⚠️ PERHATIAN: Jangan gerakkan alat secara paksa ke arah (cth. ke mana-mana sisi) aplikasi alat yang tidak mempunyai tepi pemotong. Ia boleh merosakkan alat itu.

Letakkan alat aplikasi pada bahan kerja. Dan kemudian gerakkan alat ke hadapan supaya pergerakan alat aplikasi tidak menjadi lambat.

► **Rajah6**

NOTA: Memaksa atau tekanan yang berlebihan pada alat boleh mengurangkan kecekapan.

NOTA: Sebelum operasi pemotongan, disyorkan untuk pratetapkan kadar pukulan orbital 3 - 5.

Pemasiran

⚠️ PERHATIAN: Jangan gunakan semula kertas pasir yang digunakan untuk memasir logam untuk memasir kayu.

⚠️ PERHATIAN: Jangan gunakan kertas pasir yang haus atau kertas pasir tanpa grit.

Gosokkan kertas pasir pada bahan kerja.

► **Rajah7**

NOTA: Menggunakan sampel bahan ujian untuk percubaan adalah disyorkan bagi menentukan kadar pukulan orbital yang betul yang sesuai untuk kerja anda.

NOTA: Gunakan kertas pasir dengan grit yang sama sehingga pemasangan seluruh bahan kerja selesai. Menggantikan kertas pasir dengan kertas pasir grit yang berbeza mungkin tidak dapat menghasilkan kemas yang halus.

Penyambung pengekstrakan habuk

Aksesori pilihan

⚠️ AMARAN: Jangan gunakan sambungan pengekstrakan semasa mengisar bahan kerja logam dengan alat ini. Habuk yang panas boleh menyalakan habuk di dalam pembersih hampagas dan mungkin menyebabkan kebakaran.

Apabila anda ingin melakukan operasi yang lebih bersih, pasang sambungan pengekstrakan habuk pada alat. Sambungkan hos pembersih hampagas kepada sambungan pengekstrakan habuk.

► Rajah8

Cantumkan sambungan pengekstrakan habuk alat pengekstrakan debu dan pasang ke alat.

1. Pasang sendi, muncung habuk dan penyambung habuk.
 2. Pasang getah muncung pada alat supaya tonjolannya muat di dalam lubang dalam alat untuk mengukuhkannya.
 3. Letakkan cincin langkan, peruang (jika perlu) dan pad pengempelasan pada sambungan habuk dan kemudian kukuhkannya dengan bolt pemasangan alat aplikasi.
- **Rajah9:** 1. Sendi 2. Getah muncung 3. Muncung habuk 4. Penyambung habuk 5. Penjarak 6. Cincin langkan (ø 47 mm) 7. Pad (dengan tanda STARLOCK) 8. Bolt pemasangan alat aplikasi 9. Cincin langkan (ø 37 mm) 10. Pad (dengan tanda OIS)

NOTIS: Apabila menggunakan pad dengan tanda STARLOCK, pastikan untuk memasang peruang di antara sambungan habuk dan cincin langkan.

PENYELENGGARAAN

⚠️ PERHATIAN: Sentiasa pastikan alat dimatikan dan palamnya dicabut sebelum cuba menjalankan pemeriksaan atau penyelenggaraan.

NOTIS: Jangan gunakan petrol, benzin, pencair, alkohol atau bahan yang serupa. Ia boleh menyebabkan perubahan warna, bentuk atau keretakan.

Untuk mengekalkan KESELAMATAN dan KEBOLEHPERCAYAAN produk, pembaikan, apa-apa penyelenggaraan atau penyesuaian lain perlu dilakukan oleh Kilang atau Pusat Servis Makita yang Diiktiraf, sentiasa gunakan alat ganti Makita.

Membersih

Dari semasa ke semasa lap alat menggunakan kain yang dilembapkan dalam air sabun.

► Rajah10

THÔNG SỐ KỸ THUẬT

Kiểu máy:	M9800
Dao động mỗi phút	15.000 - 22.000 min ⁻¹
Góc dao động, trái/phải	1,6 ° (3,2 °)
Tổng chiều dài	283 mm
Khối lượng tịnh	1,2 - 1,3 kg
Cấp an toàn	□/II

- Do chương trình nghiên cứu và phát triển liên tục của chúng tôi nên các thông số kỹ thuật trong đây có thể thay đổi mà không cần thông báo trước.
- Các thông số kỹ thuật có thể thay đổi tùy theo từng quốc gia.
- Khối lượng máy có thể khác nhau tùy thuộc vào (các) phụ kiện. Tổ hợp nhẹ nhất và nặng nhất, theo Quy trình EPTA 01/2014, được trình bày trong bảng.

Ký hiệu

Phần dưới đây cho biết các ký hiệu có thể được dùng cho thiết bị. Đảm bảo rằng bạn hiểu rõ ý nghĩa của các ký hiệu này trước khi sử dụng.



Đọc tài liệu hướng dẫn.



Mang kính an toàn.



CÁCH ĐIỆN CẤP 2



Chỉ dành cho các quốc gia EU
Không tháo bỏ thiết bị điện cùng với các chất thải sinh hoạt! Để tuân thủ Chỉ thị của Châu Âu về thiết bị điện và điện tử thải bỏ, và thi hành những chỉ thị này phù hợp với luật lệ quốc gia, thiết bị điện tử không còn sử dụng được nữa phải được thu nhặt riêng và đưa trở lại một cơ sở tái chế tương thích với môi trường.

Mục đích sử dụng

Dụng cụ này được sử dụng để cưa và cắt gỗ, nhựa, thạch cao, kim loại màu, và các linh kiện định vị (ví dụ như đinh và kim). Dụng cụ cũng được dùng để ốp gạch tường mềm, cũng như chà nhám khô và cào bề mặt nhỏ. Đặc biệt dùng khi thao tác gần mép và cắt ngang bằng.

Nguồn cấp điện

Dụng cụ này chỉ được nối với nguồn cấp điện có điện áp giống như đã chỉ ra trên biển tên và chỉ có thể được vận hành trên nguồn điện AC đơn pha. Chúng được cách điện hai lớp và do đó cũng có thể được sử dụng từ các ổ cắm điện không có dây tiếp đất.

CẢNH BÁO AN TOÀN

Cảnh báo an toàn chung dành cho dụng cụ máy

⚠ CẢNH BÁO: Xin đọc tất cả các cảnh báo an toàn, hướng dẫn, minh họa và thông số kỹ thuật đi kèm với dụng cụ máy này. Việc không tuân theo các hướng dẫn được liệt kê dưới đây có thể dẫn đến điện giật, hỏa hoạn và/hoặc thương tích nghiêm trọng.

Lưu giữ tất cả cảnh báo và hướng dẫn để tham khảo sau này.

Thuật ngữ "dụng cụ máy" trong các cảnh báo đề cập đến dụng cụ máy (có dây) được vận hành bằng nguồn điện chính hoặc dụng cụ máy (không dây) được vận hành bằng pin của bạn.

An toàn tại nơi làm việc

1. **Giữ nơi làm việc sạch sẽ và có đủ ánh sáng.** Nơi làm việc bừa bộn hoặc tối thường dễ gây ra tai nạn.
2. **Không vận hành dụng cụ máy trong môi trường cháy nổ, ví dụ như môi trường có sự hiện diện của các chất lỏng, khí hoặc bụi dễ cháy.** Các dụng cụ máy tạo tia lửa điện có thể làm bụi hoặc khí bốc cháy.
3. **Giữ trẻ em và người ngoài tránh xa nơi làm việc khi đang vận hành dụng cụ máy.** Sự xao lãng có thể khiến bạn mất khả năng kiểm soát.

An toàn về Điện

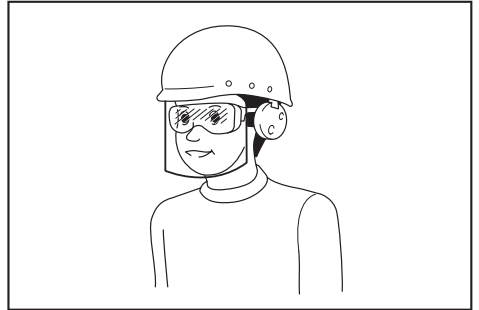
1. **Phích cắm của dụng cụ máy phải khớp với ổ cắm. Không được sửa đổi phích cắm theo bất kỳ cách nào. Không sử dụng bất kỳ phích chuyển đổi nào với các dụng cụ máy được nối đất (tiếp đất).** Các phích cắm còn nguyên vẹn và ổ cắm phù hợp sẽ giảm nguy cơ điện giật.

2. **Tránh để cơ thể tiếp xúc với các bề mặt nổi đất hoặc tiếp đất như đường ống, bộ tản nhiệt, bể ga và tủ lạnh.** Nguy cơ bị điện giật sẽ tăng lên nếu cơ thể bạn được nối đất hoặc tiếp đất.
3. **Không để dụng cụ máy tiếp xúc với mưa hoặc trong điều kiện ẩm ướt.** Nước lọt vào dụng cụ máy sẽ làm tăng nguy cơ điện giật.
4. **Không lạm dụng dây điện. Không được phép sử dụng dây để mang, kéo hoặc tháo phích cắm dụng cụ máy. Giữ dây tránh xa nguồn nhiệt, dầu, các mép sắc hoặc các bộ phận chuyển động.** Dây bị hỏng hoặc bị rối sẽ làm tăng nguy cơ điện giật.
5. **Khi vận hành dụng cụ máy ngoài trời, hãy sử dụng dây kéo dài phù hợp cho việc sử dụng ngoài trời.** Việc dùng dây phù hợp cho việc sử dụng ngoài trời sẽ giảm nguy cơ điện giật.
6. **Nếu bắt buộc phải vận hành dụng cụ máy ở nơi ẩm ướt, hãy sử dụng nguồn cấp điện được bảo vệ bằng thiết bị ngắt dòng điện rò (RCD).** Việc sử dụng RCD sẽ làm giảm nguy cơ điện giật.
7. **Chúng tôi luôn khuyến bạn sử dụng nguồn cấp điện qua thiết bị RCD có thể ngắt dòng điện rò định mức 30 mA hoặc thấp hơn.**
8. **Các dụng cụ máy có thể tạo ra từ trường điện (EMF) có hại cho người dùng.** Tuy nhiên, người dùng máy trợ tim và những thiết bị y tế tương tự khác nên liên hệ với nhà sản xuất thiết bị và/hoặc bác sỹ để được tư vấn trước khi vận hành dụng cụ này.
9. **Không chạm vào đầu cắm điện bằng tay ướt.**
10. **Nếu dây bị hỏng, hãy nhờ nhà sản xuất hoặc đại lý thay dây mới để tránh nguy hiểm về an toàn.**

An toàn Cá nhân

1. **Luôn tỉnh táo, quan sát những việc bạn đang làm và sử dụng những phán đoán theo kinh nghiệm khi vận hành dụng cụ máy. Không sử dụng dụng cụ máy khi bạn đang mệt mỏi hoặc chịu ảnh hưởng của ma túy, rượu hay thuốc.** Chỉ một khoảnh khắc không tập trung khi đang vận hành dụng cụ máy cũng có thể dẫn đến thương tích cá nhân nghiêm trọng.
2. **Sử dụng thiết bị bảo hộ cá nhân. Luôn đeo thiết bị bảo vệ mắt.** Các thiết bị bảo hộ như mặt nạ chống bụi, giày an toàn chống trượt, mũ bảo hộ hay thiết bị bảo vệ thính giác được sử dụng trong các điều kiện thích hợp sẽ giúp giảm thương tích cá nhân.
3. **Tránh vô tình khởi động dụng cụ máy. Đảm bảo công tắc ở vị trí off (tắt) trước khi nối nguồn điện và/hoặc bộ pin, cắm hoặc di chuyển dụng cụ máy.** Việc di chuyển dụng cụ máy khi đang đặt ngón tay ở vị trí công tắc hoặc cấp điện cho dụng cụ máy đang bật thường dễ gây ra tai nạn.
4. **Tháo tất cả các khóa hoặc cờ lê điều chỉnh trước khi bật dụng cụ máy.** Việc cờ lê hoặc khóa vẫn còn gắn vào bộ phận quay của dụng cụ máy có thể dẫn đến thương tích cá nhân.
5. **Không với quá cao. Luôn giữ thăng bằng tốt và có chỗ để chân phù hợp.** Điều này cho phép điều khiển dụng cụ máy tốt hơn trong những tình huống bất ngờ.

6. **Ăn mặc phù hợp. Không mặc quần áo rộng hay đeo đồ trang sức. Giữ tóc và quần áo tránh xa các bộ phận chuyển động.** Quần áo rộng, đồ trang sức hay tóc dài có thể mắc vào các bộ phận chuyển động.
7. **Nếu các thiết bị được cung cấp để kết nối các thiết bị thu gom và hút bụi, hãy đảm bảo chúng được kết nối và sử dụng hợp lý.** Việc sử dụng thiết bị thu gom bụi có thể làm giảm những mối nguy hiểm liên quan đến bụi.
8. **Không vì quen thuộc do thường xuyên sử dụng các dụng cụ mà cho phép bạn trở nên tự mãn và bỏ qua các nguyên tắc an toàn dụng cụ.** Một hành động bất cẩn có thể gây ra thương tích nghiêm trọng trong một phần của một giây.
9. **Luôn luôn mang kính bảo hộ để bảo vệ mắt khỏi bị thương khi đang sử dụng các dụng cụ máy. Kính bảo hộ phải tuân thủ ANSI Z87.1 ở Mỹ, EN 166 ở Châu Âu, hoặc AS/NZS 1336 ở Úc/New Zealand. Tại Úc/New Zealand, theo luật pháp, bạn cũng phải mang mặt nạ che mặt để bảo vệ mặt.**



Trách nhiệm của chủ lao động là bắt buộc người vận hành dụng cụ và những người khác trong khu vực làm việc cạnh đó phải sử dụng các thiết bị bảo hộ an toàn thích hợp.

Sử dụng và bảo quản dụng cụ máy

1. **Không dùng lực đối với dụng cụ máy. Sử dụng đúng dụng cụ máy cho công việc của bạn.** Sử dụng đúng dụng cụ máy sẽ giúp thực hiện công việc tốt hơn và an toàn hơn theo giá trị định mức được thiết kế của dụng cụ máy đó.
2. **Không sử dụng dụng cụ máy nếu công tắc không bật và tắt được dụng cụ máy đó.** Mọi dụng cụ máy không thể điều khiển được bằng công tắc đều rất nguy hiểm và phải được sửa chữa.
3. **Rút phích cắm ra khỏi nguồn điện và/hoặc tháo kết nối bộ pin khỏi dụng cụ máy, nếu có thể tháo rời trước khi thực hiện bất kỳ công việc điều chỉnh, thay đổi phụ tùng hay cất giữ dụng cụ máy nào.** Những biện pháp an toàn phòng ngừa này sẽ giảm nguy cơ vô tình khởi động dụng cụ máy.
4. **Cất giữ các dụng cụ máy không sử dụng ngoài tầm với của trẻ em và không cho bất kỳ người nào không có hiểu biết về dụng cụ máy hoặc các hướng dẫn này vận hành dụng cụ máy.** Dụng cụ máy sẽ rất nguy hiểm nếu được sử dụng bởi những người dùng chưa qua đào tạo.

5. **Bảo dưỡng dụng cụ máy và các phụ kiện.** Kiểm tra tình trạng lệch trục hoặc bó kẹt của các bộ phận chuyển động, hiện tượng nứt vỡ của các bộ phận và mọi tình trạng khác mà có thể ảnh hưởng đến hoạt động của dụng cụ máy. Nếu có hỏng hóc, hãy sửa chữa dụng cụ máy trước khi sử dụng. Nhiều tai nạn xảy ra là do không bảo quản tốt dụng cụ máy.
6. **Luôn giữ cho dụng cụ cất được sắc bén và sạch sẽ.** Những dụng cụ cất được bảo quản tốt có mép cắt sắc sẽ ít bị kẹt hơn và dễ điều khiển hơn.
7. **Sử dụng dụng cụ máy, phụ tùng và đầu dụng cụ cắt, v.v... theo các hướng dẫn này, có tính đến điều kiện làm việc và công việc được thực hiện.** Việc sử dụng dụng cụ máy cho các công việc khác với công việc dự định có thể gây nguy hiểm.
8. **Giữ tay cầm và bề mặt tay cầm khô, sạch, không dính dầu và mỡ.** Tay cầm trơn trượt và bề mặt tay cầm không có phản ứng xử lý an toàn và kiểm soát dụng cụ trong các tình huống bất ngờ.
9. **Khi sử dụng dụng cụ, không được đi giày tay lao động bằng vải, có thể bị vướng.** Việc giày tay lao động bằng vải vướng vào các bộ phận chuyển động có thể gây ra thương tích cá nhân.

Bảo dưỡng

1. **Đề nghị viên sửa chữa đủ trình độ bảo dưỡng dụng cụ máy của bạn và chỉ sử dụng các bộ phận thay thế đồng nhất.** Việc này sẽ đảm bảo duy trì được độ an toàn của dụng cụ máy.
2. **Tuân theo hướng dẫn dành cho việc bôi trơn và thay phụ tùng.**

Cảnh Báo An Toàn Cho Dụng cụ đa năng

1. **Dụng cụ máy này được thiết kế chức năng để cưa, cắt, mài và chà nhám. Xin đọc tất cả các cảnh báo an toàn, hướng dẫn, minh họa và thông số kỹ thuật đi kèm với dụng cụ máy này.** Việc không tuân theo các hướng dẫn được liệt kê dưới đây có thể dẫn đến điện giật, hỏa hoạn và/hoặc thương tích nghiêm trọng.
2. **Cầm dụng cụ máy bằng bề mặt kẹp cách điện khi thực hiện một thao tác trong đó bộ phận cắt có thể tiếp xúc với dây dẫn kín hoặc dây của chính nó.** Phụ kiện cắt tiếp xúc với dây dẫn "có điện" có thể khiến các bộ phận kim loại bị hở của dụng cụ máy "có điện" và làm cho người vận hành bị điện giật.
3. **Dùng kẹp hoặc làm theo cách khả thi khác để giữ chặt và đỡ phôi gia công trên bề vững chắc.** Giữ phôi gia công bằng tay hoặc tỳ vào cơ thể sẽ làm phôi không chắc chắn và có thể dẫn đến mất kiểm soát.
4. **Đặt dây dẫn không để vướng phụ kiện quay.** Nếu bạn bị mất kiểm soát, dây dẫn có thể bị cắt hoặc bị quấn và bàn tay hoặc cánh tay của bạn có thể bị kéo vào phụ kiện quay đó.
5. **Luôn sử dụng kính bảo hộ hoặc kính an toàn. Kính mắt thông thường hoặc kính râm KHÔNG phải là kính an toàn.**
6. **Tránh cắt đinh. Kiểm tra phôi xem có đinh không và tháo đinh trước khi vận hành.**
7. **Cầm chắc dụng cụ.**
8. **Phải đảm bảo rằng dụng cụ ứng dụng không tiếp xúc với phôi gia công trước khi bật công tắc lên.**
9. **Giữ tay tránh xa các bộ phận chuyển động.**
10. **Không để mặc dụng cụ hoạt động. Chỉ vận hành dụng cụ khi cầm trên tay.**
11. **Luôn tắt nguồn và đợi lưỡi cưa dừng hẳn trước khi tháo lưỡi cưa ra khỏi phôi gia công.**
12. **Không chạm vào dụng cụ ứng dụng hay phôi gia công ngay sau khi vận hành; chúng có thể cực nóng và có thể gây bỏng da.**
13. **Không vận hành dụng cụ không tải một cách không cần thiết.**
14. **Luôn luôn sử dụng đúng mặt nạ chống bụi/khẩu trang đối với loại vật liệu và ứng dụng bạn đang làm việc.**
15. **Một số vật liệu có thể chứa hóa chất độc hại. Phải cẩn trọng tránh hít phải bụi và để tiếp xúc với da. Tuân theo dữ liệu an toàn của nhà cung cấp vật liệu.**
16. **Dụng cụ này không được chống thấm, do đó không được dùng nước cho bề mặt gia công.**
17. **Cần thông thoáng phù hợp cho khu vực làm việc khi bạn thực hiện thao tác đánh nhám.**
18. **Sử dụng dụng cụ này để đánh nhám một số sản phẩm, ví dụ như bề mặt sơn chưa chì, gỗ và kim loại có thể làm người dùng và những người đứng xem tiếp xúc với bụi có các chất nguy hiểm. Sử dụng biện pháp bảo vệ đường hô hấp phù hợp.**
19. **Đảm bảo rằng tấm đệm không bị nứt hoặc bể trước khi sử dụng. Các vết nứt hoặc bể có thể gây thương tích cho người.**
20. **Không được dùng các phụ kiện không được thiết kế đặc biệt và không theo khuyến cáo của nhà sản xuất dụng cụ. Bởi nếu có thể gây nguy hiểm do vận dụng cụ máy của bạn thì điều đó hoàn toàn không đảm bảo việc vận hành máy an toàn.**
21. **Mang thiết bị bảo hộ cá nhân. Tùy thuộc vào việc sử dụng máy, hãy dùng mặt nạ bảo vệ mặt, kính bảo hộ hoặc kính an toàn. Khi thích hợp, hãy mang dụng cụ bảo vệ thính giác, găng tay và tạp dề làm việc có khả năng ngăn chặn các mảnh mài mòn hoặc mảnh vỡ từ phôi gia công. Thiết bị bảo vệ mắt phải có khả năng ngăn chặn các mảnh vụn bay ra phát sinh bởi các hoạt động khác nhau. Mặt nạ chống bụi hoặc khẩu trang phải có khả năng lọc được các hạt tạo ra bởi hoạt động của bạn. Tiếp xúc kéo dài với tiếng ồn có cường độ cao có thể gây ra mất thính giác.**
22. **Giữ những người xung quanh tránh xa nơi làm việc một khoảng cách an toàn. Bắt cứ ai bước vào khu vực làm việc đều phải đeo thiết bị bảo hộ cá nhân. Các mảnh vỡ của phôi gia công hoặc phụ kiện bị vỡ có thể bắn ra và gây thương tích bên ngoài khu vực thao tác cạnh đó.**
23. **Không bao giờ đặt dụng cụ máy xuống cho đến khi phụ kiện đã dừng hẳn. Phụ kiện quay có thể quán lấy bề mặt và kéo công cụ máy vượt khỏi tầm kiểm soát của bạn.**

24. **Không được chạy dụng cụ máy trong lúc đang mang bên hông bạn.** Tiếp xúc bất ngờ với phụ kiện có thể quần lấy quần áo của bạn, kéo phụ kiện văng vào người bạn.
25. **Không vận hành công cụ máy gần các vật liệu dễ cháy.** Các tia lửa có thể kích cháy các vật liệu này.
26. **Không sử dụng các phụ kiện có yêu cầu chất làm mát dạng lỏng.** Sử dụng chất làm mát bằng nước hoặc chất lỏng khác có thể dẫn đến điện giật hoặc sốc.
27. **Luôn luôn đảm bảo rằng dụng cụ đã được tắt và tháo phích cắm trước khi dùng dụng cụ thực hiện bất cứ công việc nào.**
28. **Nếu nơi làm việc rất nóng và ẩm ướt, hoặc bị ô nhiễm nặng bởi bụi dẫn điện, hãy dùng bộ ngắt điện đoản mạch (30 mA) để bảo đảm an toàn cho người vận hành.**
29. **Luôn chắc chắn rằng bạn có chỗ tựa chân vững chắc. Đảm bảo rằng không có ai ở bên dưới khi sử dụng dụng cụ ở những vị trí trên cao.**
30. **Trước khi bắt đầu vận hành, hãy bảo đảm rằng không có các đường dây cung cấp ăn như dây điện, ống dẫn khí và dòng nước bên dưới bề mặt gia công. Cát hay làm hỏng các đường dây cung cấp có thể gây điện giật, rò rỉ gas, thiệt hại về tài sản, hoặc các tai nạn khác.**

LƯU GIỮ CÁC HƯỚNG DẪN NÀY.

⚠CẢNH BÁO: KHÔNG vì đã thoải mái hay quen thuộc với sản phẩm (có được do sử dụng nhiều lần) mà không tuân thủ nghiêm ngặt các quy định về an toàn dành cho sản phẩm này. VIỆC DÙNG SAI hoặc không tuân theo các quy định về an toàn được nêu trong tài liệu hướng dẫn này có thể dẫn đến thương tích cá nhân nghiêm trọng.

MÔ TẢ CHỨC NĂNG

⚠THẬN TRỌNG: Luôn bảo đảm rằng dụng cụ được tắt điện và rút phích cắm trước khi điều chỉnh hoặc kiểm tra chức năng của dụng cụ.

Hoạt động công tắc

⚠THẬN TRỌNG: Trước khi cắm điện vào dụng cụ, luôn kiểm tra xem dụng cụ đã được tắt chưa.

Đề khởi động dụng cụ, đẩy công tắc trượt về vị trí "I (BẬT)".

Đề tắt dụng cụ, đẩy công tắc trượt về vị trí "O (TẮT)".

► **Hình1:** 1. Công tắc trượt

Điều chỉnh tốc độ hành trình xoay vòng

Có thể điều chỉnh tốc độ hành trình xoay vòng. Để thay đổi tốc độ hành trình xoay vòng, vận đĩa xoay trong khoảng từ 1 đến 5. Số càng cao thì tốc độ hành trình xoay vòng sẽ càng cao. Cài sẵn đĩa xoay đến số thích hợp cho phù hợp gia công của bạn.

► **Hình2:** 1. Đĩa xoay

LƯU Ý: Đĩa xoay không thể xoay trực tiếp từ 1 đến 5 hoặc từ 5 đến 1. An mạnh đĩa xoay có thể làm hỏng dụng cụ. Khi thay đổi hướng đĩa xoay, luôn luôn xoay đĩa xoay đi chuyển qua từng số trung gian.

LẮP RÁP

⚠THẬN TRỌNG: Luôn luôn đảm bảo rằng dụng cụ đã được tắt và tháo phích cắm trước khi dùng dụng cụ thực hiện bất cứ công việc nào.

Lắp hoặc tháo dụng cụ ứng dụng

Phụ kiện tùy chọn

⚠CẢNH BÁO: Không lắp dụng cụ ứng dụng úp ngược xuống. Lắp dụng cụ ứng dụng úp ngược xuống có thể làm hư hỏng dụng cụ và gây ra thương tích cá nhân nghiêm trọng.

⚠CẢNH BÁO: Lắp dụng cụ phụ tùng đúng hướng theo công việc của bạn. Dụng cụ ứng dụng có thể được lắp đặt ở mỗi một góc 30 độ.

⚠CẢNH BÁO: Luôn lắp dụng cụ ứng dụng sao cho phần nhô ra của vành dụng cụ khớp vào các lỗ trong dụng cụ ứng dụng. Nếu không, làm như vậy có thể làm cho dụng cụ ứng dụng rơi ra và dẫn đến thương tích cá nhân.

⚠CẢNH BÁO: Khi lắp dụng cụ ứng dụng, đảm bảo đã vận chặt bu-lông lắp đặt dụng cụ ứng dụng.

Đặt dụng cụ ứng dụng (phụ kiện tùy chọn) lên vành dụng cụ sao phần cho phần nhô ra của vành dụng cụ khớp vào các lỗ trong dụng cụ ứng dụng và giữ chặt dụng cụ ứng dụng bằng cách vận chặt bu-lông bằng cờ lê lục giác.

Khi sử dụng dụng cụ ứng dụng chà nhám, đặt dụng cụ ứng dụng lên tấm đánh nhám để dụng cụ khớp với hướng của tấm đánh nhám.

Tấm đánh nhám có hệ thống điều chỉnh loại hook-and-loop (móc và xoay) cho phép bạn điều chỉnh giấy nhám dễ dàng và nhanh chóng.

Vì các loại giấy nhám có các lỗ nhỏ để hút bụi, nên đặt giấy nhám sao cho các lỗ trên giấy nhám khớp với các lỗ trên tấm đánh nhám.

Để gỡ giấy nhám ra, nâng đầu giấy nhám lên và tách ra.

Nới lỏng và tháo bu-lông lắp đặt dụng cụ ứng dụng bằng cách sử dụng cờ lê lục giác và sau đó lấy dụng cụ ứng dụng ra.

► **Hình3:** 1. Bu-lông lắp đặt dụng cụ ứng dụng 2. Các lỗ trong dụng cụ ứng dụng 3. Phần nhô ra của vành dụng cụ

► **Hình4:** 1. Bu-lông lắp đặt dụng cụ ứng dụng 2. Cờ lê lục giác 3. Vặn chặt

Khi sử dụng dụng cụ ứng dụng có bộ phận lắp đặt loại khác, sử dụng đầu chuyển đúng (phụ kiện tùy chọn).

► **Hình5:** 1. Bu-lông lắp đặt dụng cụ ứng dụng 2. Các lỗ trong dụng cụ ứng dụng 3. Đầu chuyển 4. Phần nhô ra của vành dụng cụ

VẬN HÀNH

⚠ CẢNH BÁO: Trước khi khởi động dụng cụ và khi đang vận hành, giữ tay và mặt bạn tránh khỏi dụng cụ ứng dụng.

⚠ THẬN TRỌNG: Không sử dụng tải trọng quá mức cho dụng cụ mà có thể gây ra khóa động cơ và dừng dụng cụ.

Cắt, cưa và cào

⚠ THẬN TRỌNG: Không di chuyển dụng cụ bằng lực theo hướng (ví dụ theo hướng hai bên) của dụng cụ ứng dụng không có mép cắt. Điều này có thể làm hỏng dụng cụ.

Đặt dụng cụ ứng dụng lên trên phiá gia công. Và sau đó di chuyển dụng cụ về phía trước sao cho chuyển động của dụng cụ ứng dụng không bị chậm.

► **Hình6**

LƯU Ý: Dùng lực hoặc gây áp lực quá mức lên dụng cụ có thể làm giảm hiệu quả.

LƯU Ý: Trước khi vận hành cắt, chúng tôi khuyến nghị nên cài đặt sẵn tốc độ hành trình xoay vòng 3 - 5.

Chà nhám

⚠ THẬN TRỌNG: Không sử dụng lại giấy nhám đã dùng để chà nhám kim loại đến gỗ cát.

⚠ THẬN TRỌNG: Không sử dụng giấy nhám mòn hoặc giấy nhám không có hạt cát mài mòn.

Sử dụng giấy nhám chà lên phiá gia công.

► **Hình7**

LƯU Ý: Sử dụng mẫu vật liệu kiểm tra để thử xác định tốc độ hành trình xoay vòng chính xác phù hợp với công việc của bạn.

LƯU Ý: Sử dụng giấy nhám có hạt cát mài mòn tương tự cho đến khi chà nhám toàn bộ phiá gia công. Thay thế giấy nhám bằng giấy nhám có hạt cát mài mòn khác có thể không tạo được bề mặt hoàn thiện đẹp.

Phụ tùng bộ hút bụi

Phụ kiện tùy chọn

⚠ CẢNH BÁO: Không sử dụng phụ tùng bộ hút bụi khi mài phiá gia công kim loại bằng dụng cụ này. Bụi mài còn nóng có thể làm cháy bụi trong máy hút bụi cầm tay hoạt động bằng động cơ điện và gây cháy.

Khi muốn thực hiện thao tác sạch sẽ hơn, hãy lắp phụ tùng bộ hút bụi vào dụng cụ. Nối ống dẫn máy hút bụi cầm tay hoạt động bằng động cơ điện vào phụ tùng bộ hút bụi.

► **Hình8**

Lắp ráp phụ tùng bộ hút bụi và lắp vào dụng cụ.

1. Lắp các khớp nối, vòi xả bụi và phụ tùng hút bụi.

2. Lắp băng vòi xả lên dụng cụ sao cho các phần nhô ra của nó khớp vào các lỗ trong dụng cụ để giữ chặt nó.

3. Đặt vòng ni, để chặn (nếu cần thiết), và tẩm đánh nhám lên phụ tùng hút bụi và giữ chặt chúng bằng bu-lông lắp đặt dụng cụ ứng dụng.

► **Hình9:** 1. Bộ nối 2. Băng vòi xả 3. Vòi xả bụi 4. Phụ tùng hút bụi 5. Để chặn 6. Vòng ni (ø 47 mm) 7. Tấm đệm (có đánh dấu STARLOCK) 8. Bu-lông lắp đặt dụng cụ ứng dụng 9. Vòng ni (ø 37 mm) 10. Tấm đệm (có đánh dấu OIS)

CHÚ Ý: Khi sử dụng tấm đệm có đánh dấu STARLOCK, hãy đảm bảo đã lắp để chặn vào giữa phụ tùng hút bụi và vòng ni.

BẢO TRÌ

⚠ THẬN TRỌNG: Luôn bảo đảm rằng dụng cụ được tắt điện và rút phích cắm trước khi thử thực hiện việc kiểm tra hoặc bảo trì.

CHÚ Ý: Không được phép dùng xăng, ét xăng, dung môi, cồn hoặc hóa chất tương tự. Có thể xảy ra hiện tượng mất màu, biến dạng hoặc nứt vỡ.

Để đảm bảo ĐỘ AN TOÀN và ĐỘ TIN CẬY của sản phẩm, việc sửa chữa hoặc bất cứ thao tác bảo trì, điều chỉnh nào đều phải được thực hiện bởi các Trung tâm Dịch vụ Nhà máy hoặc Trung tâm được Makita Ủy quyền và luôn sử dụng các phụ tùng thiết bị thay thế của Makita.

Vệ sinh

Thỉnh thoảng lau sạch dụng cụ bằng vải khô hoặc vải đã làm ẩm bằng nước xà phòng.

► **Hình10**

ข้อมูลจำเพาะ

รุ่น:	M9800
การหมุนแกว่งต่อนาที	15,000 - 22,000 min ⁻¹
มุมการหมุนแกว่ง ซ้าย/ขวา	1.6 ° (รวม3.2 °)
ความยาวโดยรวม	283 mm
น้ำหนักสุทธิ	1.2 - 1.3 kg
มาตรฐานความปลอดภัย	☐/II

- เนื่องจากการค้นคว้าวิจัยและพัฒนาอย่างต่อเนื่อง ข้อมูลจำเพาะในเอกสารฉบับนี้อาจเปลี่ยนแปลงได้โดยไม่ต้องแจ้งให้ทราบล่วงหน้า
- ข้อมูลจำเพาะอาจแตกต่างกันไปในแต่ละประเทศ
- น้ำหนักอาจแตกต่างกันไปตามอุปกรณ์เสริม การติดอุปกรณ์เสริมที่เบาที่สุดและหนักที่สุดตามข้อบังคับของ EPTA 01/2014 มีแสดงอยู่ในตาราง

สัญลักษณ์

ต่อไปนี้เป็นสัญลักษณ์ที่อาจใช้สำหรับอุปกรณ์ โปรดศึกษาความหมายของสัญลักษณ์ให้เข้าใจก่อนการใช้งาน



อ่านคู่มือการใช้งาน



สวมแว่นตานิรภัย



ฉนวนสองชั้น



สำหรับประเทศในสหภาพยุโรปเท่านั้น ห้ามทิ้งอุปกรณ์ไฟฟ้าร่วมกับขยะครัวเรือนทั่วไป เพื่อให้เป็นไปตามกฎระเบียบของยุโรปเกี่ยวกับขยะจำพวกอุปกรณ์ไฟฟ้าและอิเล็กทรอนิกส์ และการปฏิบัติตามกฎหมายในประเทศ ต้องเก็บอุปกรณ์ไฟฟ้าทั้งหมดอายุการใช้งานแล้วแยกต่างหาก และส่งกลับไปยังศูนย์รีไซเคิลที่เป็นมิตรต่อสิ่งแวดล้อม

จุดประสงค์การใช้งาน

เครื่องมือนี้ใช้สำหรับเลื่อยและตัดไม้ พลาสติก ยิปซัม โลหะที่ไม่มีส่วนประกอบของเหล็ก และอุปกรณ์สำหรับยึด (เช่น ตะปูหัวอ่อน และสลักเกลียว) รวมถึงใช้สำหรับทำงานกับกระเบื้องบุผนังชนิดอ่อน รวมถึงการขีดด้วยกระดาษทรายแบบแห้งและการขีดพื้นผิวขนาดเล็ก โดยเฉพาะอย่างยิ่งสำหรับการทำงานในส่วนที่ใกล้กับขอบและการตัดให้ราบเรียบ

แหล่งจ่ายไฟ

ควรเชื่อมต่อเครื่องมือกับแหล่งจ่ายไฟที่มีแรงดันไฟฟ้าตามที่ระบุไว้ในป้ายข้อมูลของเครื่องมือ และจะต้องใช้ไฟฟ้ากระแสสลับแบบเฟสเดียวเท่านั้น อุปกรณ์นี้ได้รับการคุ้มครองสองชั้นและสามารถใช้กับปลั๊กไฟที่ไม่มีสายดินได้

คำเตือนด้านความปลอดภัย

คำเตือนด้านความปลอดภัยของเครื่องมือไฟฟ้าทั่วไป

คำเตือน: โปรดอ่านคำเตือนด้านความปลอดภัย คำแนะนำ ภาพประกอบ และข้อมูลจำเพาะต่างๆ ที่มากับเครื่องมือไฟฟ้าอย่างละเอียด การไม่ปฏิบัติตามคำแนะนำดังต่อไปนี้ อาจส่งผลให้เกิดไฟฟ้าช็อต ไฟไหม้ และ/หรือได้รับบาดเจ็บอย่างร้ายแรงได้

เก็บรักษาคำเตือนและคำแนะนำทั้งหมดไว้

เป็นข้อมูลอ้างอิงในอนาคต

คำว่า “เครื่องมือไฟฟ้า” ในคำเตือนนี้หมายถึงเครื่องมือไฟฟ้า (มีสาย) ที่ทำงานโดยใช้กระแสไฟฟ้าหรือเครื่องมือไฟฟ้า (ไร้สาย) ที่ทำงานโดยใช้แบตเตอรี่

ความปลอดภัยของพื้นที่ทำงาน

1. ดูแลพื้นที่ทำงานให้มีความสะอาดและมีแสงไฟสว่าง พื้นที่กระเบื้องหรือมีดที่บอบอาจนำไปสู่การเกิดอุบัติเหตุได้
2. อย่าใช้งานเครื่องมือไฟฟ้าในสภาพที่อาจเกิดการระเบิด เช่น ในสถานที่ที่มีของเหลว ก๊าซ หรือฝุ่นผงที่มีคุณสมบัติไวไฟ เครื่องมือไฟฟ้าอาจสร้างประกายไฟและจุดชนวนฝุ่นผงหรือก๊าซดังกล่าว
3. ดูแลไม่ให้มีเด็ก หรือบุคคลอื่นอยู่ในบริเวณที่กำลังใช้เครื่องมือไฟฟ้า การมีสิ่งรบกวนสมาธิอาจทำให้คุณสูญเสียการควบคุม

ความปลอดภัยด้านไฟฟ้า

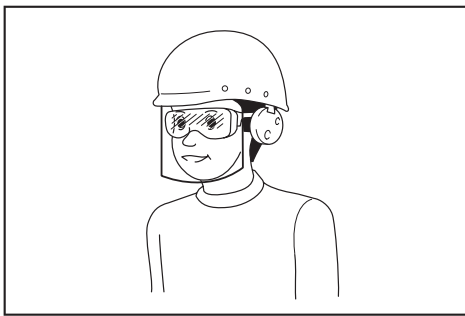
1. ปลั๊กของเครื่องมือไฟฟ้าต้องพอดีกับเต้ารับ อย่าดัดแปลงปลั๊กไม่ว่ากรณีใดๆ อย่าใช้ปลั๊กอะแดปเตอร์กับเครื่องมือไฟฟ้าที่ต่อสายดิน ปลั๊กที่ไม่ถูกดัดแปลงและเต้ารับที่เข้ากันพอดีจะช่วยลดความเสี่ยงของการเกิดไฟฟ้าช็อต
2. ระวังอย่าให้ร่างกายสัมผัสกับพื้นผิวที่ต่อสายดิน เช่น ท่อ เครื่องนำความร้อน เต้าหุงต้ม และตู้เย็น มีความเสี่ยงที่จะเกิดไฟฟ้าช็อตตุงขึ้น หากร่างกายของคุณสัมผัสกับพื้น
3. อย่าให้เครื่องมือไฟฟ้าถูกน้ำหรืออยู่ในสภาพเปียกชื้น น้ำที่ไหลเข้าไปในเครื่องมือไฟฟ้าจะเพิ่มความเสี่ยงของการเกิดไฟฟ้าช็อต

4. อย่าใช้สายไฟอย่างไม่เหมาะสม อย่าใช้สายไฟเพื่อยก ดึง หรือถอดปลั๊กเครื่องมือไฟฟ้า เก็บสายไฟให้ห่างจากความร้อน น้ำมัน ของมีคม หรือชิ้นส่วนที่เคลื่อนที่ สายที่ชำรุดหรือพันกันจะเพิ่มความเสี่ยงของการเกิดไฟฟ้าช็อต
5. ขณะที่ใช้งานเครื่องมือไฟฟ้านอกอาคาร ควรใช้สายต่อพ่วงที่เหมาะสมกับงานภายนอกอาคาร การใช้สายที่เหมาะสมกับงานภายนอกอาคารจะลดความเสี่ยงของการเกิดไฟฟ้าช็อต
6. หากต้องใช้งานเครื่องมือไฟฟ้าในสถานที่เปียกชื้น ให้ใช้อุปกรณ์ป้องกันกระแสไฟรั่ว (RCD) การใช้ RCD จะลดความเสี่ยงของการเกิดไฟฟ้าช็อต
7. แนะนำให้ใช้แหล่งจ่ายไฟผ่าน RCD ที่มีกระแสไฟรั่วในอัตราไม่เกิน 30 mA เสมอ
8. เครื่องมือไฟฟ้าอาจสร้างสนามแม่เหล็ก (EMF) ที่ไม่เป็นอันตรายต่อผู้ใช้ อย่างไรก็ตาม ผู้ใช้ที่ใส่เครื่องกระตุ้นหัวใจและอุปกรณ์ทางการแพทย์ที่คล้ายกันนี้ ควรติดต่อผู้ผลิตอุปกรณ์และ/หรือแพทย์เพื่อรับคำแนะนำก่อนใช้งานเครื่องมือไฟฟ้านี้
9. อย่าจับปลั๊กไฟด้วยมือที่เปียก
10. หากสายไฟชำรุด โปรดให้ผู้ผลิตหรือตัวแทนของผู้ผลิตเปลี่ยนให้ เพื่อหลีกเลี่ยงอันตราย

ความปลอดภัยส่วนบุคคล

1. ให้ระมัดระวังและระมัดระวังเสมอขณะใช้งานเครื่องมือไฟฟ้า อย่าใช้งานเครื่องมือไฟฟ้าในขณะที่คุณกำลังเหนื่อย หรือในสภาพที่มึนเมาจากยาเสพติด เครื่องดื่ม แอลกอฮอล์ หรือการใช้อาหาร ชั่วขณะที่ขาดความระมัดระวังเมื่อกำลังใช้งานเครื่องมือไฟฟ้าอาจทำให้ได้รับบาดเจ็บร้ายแรง
2. ใช้อุปกรณ์ป้องกันส่วนบุคคล สวมแว่นตาป้องกันเสมอ อุปกรณ์ป้องกัน เช่น หน้ากากกันฝุ่น รองเท้านิรภัย กันลื่น หมวกนิรภัย หรือเครื่องป้องกันการได้ยินที่ใช้ในสภาพที่เหมาะสมจะช่วยลดการบาดเจ็บ
3. ป้องกันไม่ให้เกิดการเปิดใช้งานโดยไม่ตั้งใจ ตรวจสอบให้แน่ใจว่าสวิตช์ปิดอยู่ก่อนที่จะเชื่อมต่อกับแหล่งจ่ายไฟ และ/หรือชุดแบตเตอรี่ รวมทั้งตรวจสอบก่อนการยกหรือเคลื่อนย้ายเครื่องมือ การสอดนิ้วมือบริเวณสวิตช์เพื่อถือเครื่องมือไฟฟ้า หรือการชาร์จไฟเครื่องมือไฟฟ้าในขณะที่เปิดสวิตช์อยู่อาจนำไปสู่การเกิดอุบัติเหตุ
4. นำกฎแฉปรับตั้งหรือประกอบออกก่อนที่จะเปิดเครื่องมือไฟฟ้า ประแจหรือกฎแฉที่เสียบค้างอยู่ในชิ้นส่วนที่หมุนได้ของเครื่องมือไฟฟ้าอาจทำให้ได้รับบาดเจ็บ

- อย่าทำงานในระยะเวลาที่สั้นเกินไป จัดทำการยืนและการทรงตัวให้เหมาะสมตลอดเวลา เพราะจะทำให้ควบคุมเครื่องมือไฟฟ้าได้ดีขึ้นในสถานการณ์ที่ไม่คาดคิด
- แต่งกายให้เหมาะสม อย่าสวมเครื่องแต่งกายที่หลวมเกินไป หรือสวมเครื่องประดับ ดูแลไม่ให้เส้นผมและเสื้อผ้าอยู่ใกล้ชิ้นส่วนที่เคลื่อนที่ เสื้อผ้ารุ่มร่าม เครื่องประดับ หรือผมที่มีควมยาวอาจเข้าไปติดในชิ้นส่วนที่เคลื่อนที่
- หากมีการจัดอุปกรณ์สำหรับดูดและจับฝุ่นไว้ในสถานที่ ให้ตรวจสอบว่าได้เชื่อมต่อและใช้งานอุปกรณ์นั้นอย่างเหมาะสม การใช้เครื่องดูดและจับฝุ่นจะช่วยลดอันตรายที่เกิดจากฝุ่นลงได้
- อย่าให้ความคุ้นเคยจากการใช้งานเครื่องมือเป็นประจำทำให้คุณทำตัวตามสบายและละเลยหลักการเพื่อความปลอดภัยในการใช้เครื่องมือ การกระทำที่ไม่ระมัดระวังอาจทำให้เกิดการบาดเจ็บร้ายแรงภายในเสี้ยววินาที
- สวมใส่แว่นครอบตานิรภัยเพื่อปกป้องดวงตาของคุณจากการบาดเจ็บเมื่อใช้เครื่องมือไฟฟ้า แว่นครอบตาจะต้องได้มาตรฐาน ANSI Z87.1 ในสหรัฐอเมริกา, EN 166 ในยุโรป หรือ AS/NZS 1336 ในออสเตรเลีย/นิวซีแลนด์ ในออสเตรเลีย/นิวซีแลนด์ จะต้องสวมเกราะป้องกันใบหน้าเพื่อปกป้องใบหน้าของคุณอย่างถูกต้องตามกฎหมายด้วย



ผู้ว่าจ้างมีหน้าที่รับผิดชอบในการบังคับผู้ใช้งานเครื่องมือและบุคคลอื่น ๆ ที่อยู่ในบริเวณที่ปฏิบัติงานให้ใช้อุปกรณ์ป้องกันที่เหมาะสม

การใช้และดูแลเครื่องมือไฟฟ้า

- อย่าฝืนใช้เครื่องมือไฟฟ้า ใช้เครื่องมือไฟฟ้าที่เหมาะสมกับการใช้งานของคุณ เครื่องมือไฟฟ้าที่เหมาะสมจะทำให้ได้งานที่มีประสิทธิภาพและปลอดภัยกว่าตามขีดความสามารถของเครื่องที่ได้รับการออกแบบมา
- อย่าใช้เครื่องมือไฟฟ้า หากสวิตช์ไม่สามารถเปิดปิดได้ เครื่องมือไฟฟ้าที่ควบคุมด้วยสวิตช์ไม่ได้เป็นสิ่งอันตรายและต้องได้รับการซ่อมแซม

- ถอดปลั๊กจากแหล่งจ่ายไฟ และ/หรือชุดแบตเตอรี่ออกจากเครื่องมือไฟฟ้าก่อนทำการปรับตั้ง เปลี่ยนอุปกรณ์เสริม หรือจัดเก็บเครื่องมือไฟฟ้า วิธีการป้องกันด้านความปลอดภัยดังกล่าวจะช่วยลดความเสี่ยงในการเปิดใช้งานเครื่องมือไฟฟ้าโดยไม่ตั้งใจ
- จัดเก็บเครื่องมือไฟฟ้าที่ไม่ได้ใช้งานให้ห่างจากมือเด็ก และอย่าอนุญาตให้บุคคลที่ไม่คุ้นเคยกับเครื่องมือไฟฟ้าหรือคำแนะนำเหล่านี้ใช้งานเครื่องมือไฟฟ้า เครื่องมือไฟฟ้าจะเป็นอันตรายเมื่ออยู่ในมือของผู้ที่ไม่ได้รับการฝึกอบรม
- บำรุงรักษาเครื่องมือไฟฟ้าและอุปกรณ์เสริม ตรวจสอบการประกอบที่ไม่ถูกต้องหรือการเชื่อมต่อของชิ้นส่วนที่เคลื่อนที่ การแตกหักของชิ้นส่วน หรือสภาพอื่น ๆ ที่อาจส่งผลกระทบต่อการทำงานของเครื่องมือไฟฟ้า หากมีความเสียหาย ให้นำเครื่องมือไฟฟ้าไปซ่อมแซมก่อนการใช้งาน อุบัติเหตุจำนวนมากเกิดจากการดูแลรักษาเครื่องมือไฟฟ้าอย่างไม่ถูกต้อง
- ทำความสะอาดเครื่องมือตัดและลับให้คมอยู่เสมอ เครื่องมือการตัดที่มีการดูแลอย่างถูกต้องและมีขอบการตัดคมมักจะมีปัญหาตัดขีดน้อยและควบคุมได้ง่ายกว่า
- ใช้เครื่องมือไฟฟ้า อุปกรณ์เสริม และวัสดุสิ้นเปลือง ฯลฯ ตามคำแนะนำดังกล่าว พิจารณาสภาพการทำงานและงานที่จะลงมือทำ การใช้เครื่องมือไฟฟ้าเพื่อทำงานอื่นนอกเหนือจากที่กำหนดไว้อาจทำให้เกิดอันตราย
- ดูแลมือจับและบริเวณมือจับให้แห้ง สะอาด และไม่มีน้ำมันและจาระบีเปื้อน มือจับและบริเวณมือจับที่ชื้นจะทำให้ไม่สามารถจับและควบคุมเครื่องมือได้อย่างปลอดภัยในสถานการณ์ที่ไม่คาดคิด
- ขณะใช้งานเครื่องมือ อย่าสวมใส่ถุงมือผ้าที่อาจเข้าไปติดในเครื่องมือได้ หากถุงมือผ้าเข้าไปติดในชิ้นส่วนที่กำลังเคลื่อนที่อยู่อาจทำให้ได้รับบาดเจ็บ

การซ่อมบำรุง

- นำเครื่องมือไฟฟ้าเข้ารับบริการจากช่างซ่อมที่ผ่านการรับรองโดยวิธีอะไหล่แบบเดียวกันเท่านั้น เพราะจะทำให้การใช้เครื่องมือไฟฟ้ามีความปลอดภัย
- ปฏิบัติตามคำแนะนำในการหล่อลื่นและการเปลี่ยนอุปกรณ์เสริม

คำเตือนด้านความปลอดภัยสำหรับเครื่องมือ อเนกประสงค์

1. เครื่องมือไฟฟ้านี้ใช้สำหรับทำงานเลื่อย ตัด ชัด ธรรมชาติ และขัดด้วยกระดาษทราย โปรดอ่านคำเตือนด้านความปลอดภัย คำแนะนำ ภาพประกอบ และข้อมูลจำเพาะต่างๆ ที่ให้มาพร้อมกับเครื่องมือไฟฟ้านี้อย่างละเอียด การไม่ปฏิบัติตามคำแนะนำดังต่อไปนี้ อาจส่งผลให้เกิดไฟฟ้าช็อต ไฟไหม้ และ/หรือได้รับบาดเจ็บอย่างร้ายแรงได้
2. จับเครื่องมือไฟฟ้าที่พื้นผิวมือจับทั้งหมดจนขณะใช้งาน เนื่องจากอุปกรณ์ตัดอาจสัมผัสกับสายไฟที่ซ่อนอยู่หรือสายไฟของเครื่องมือเอง อุปกรณ์ตัดที่สัมผัสกับสายไฟที่ “มีกระแสไฟฟ้าไหลผ่าน” อาจทำให้ชิ้นส่วนโลหะของเครื่องมือไฟฟ้า “มีกระแสไฟฟ้าไหลผ่าน” และทำให้ผู้ใช้ใช้งานถูกไฟฟ้าช็อตได้
3. ใช้ปากกาจับหรือวิธีการปฏิบัติอื่นๆ เพื่อยึดและรองรับชิ้นงานไว้บนพื้นที่ที่มั่นคง การใช้มือจับชิ้นงานหรือยึดชิ้นงานไว้กับร่างกายจะทำให้เกิดความไม่มั่นคงและสูญเสียการควบคุมได้
4. จัดสายไฟให้อยู่ในบริเวณที่ห่างจากอุปกรณ์ที่กำลังหมุน หากคุณสูญเสียการควบคุม สายไฟอาจจะถูกตัดหรือถูกดึง ทำให้มือหรือแขนของคุณถูกดึงเข้าไปในอุปกรณ์ที่กำลังหมุนได้
5. สวมแว่นตานิรภัยหรือแว่นครอบตาเสมอ แว่นตานิรภัยหรือแว่นกันแดดไม่ใช่แว่นนิรภัย
6. หลีกเลี่ยงการตัดตะปู ตรวจสอบตะปูในชิ้นงานและถอนตะปูออกก่อนทำงาน
7. จับเครื่องมือให้แน่น
8. ตรวจสอบให้แน่ใจว่าเครื่องมือใช้งานนั้นไม่ได้สัมผัสกับชิ้นงานก่อนที่จะเปิดสวิตช์
9. ระวังอย่าให้มีสัมผัสกับชิ้นส่วนที่เคลื่อนที่
10. อย่าปล่อยให้เครื่องมือทำงานค้างไว้ ใช้งานเครื่องมือในขณะที่ถืออยู่เท่านั้น
11. ปิดสวิตช์และรอจนกว่าใบเลื่อยหยุดนิ่งสนิทก่อนที่จะเอาใบเลื่อยออกจากชิ้นงาน
12. ห้ามสัมผัสกับเครื่องมือใช้งานหรือชิ้นงานทันทีที่ทำงานเสร็จ เนื่องจากดอกเลื่อยหรือชิ้นงานอาจมีความร้อนสูงและลวกผิวหนังของคุณได้
13. อย่าใช้เครื่องมือโดยเปิดเครื่องทิ้งไว้เฉยๆ โดยไม่จำเป็น
14. ใช้หน้ากากกันฝุ่น/ควินพิษที่เหมาะสมกับวัสดุและการใช้งานที่คุณกำลังทำงานเสมอ
15. วัสดุบางอย่างอาจมีสารเคมีที่เป็นพิษ ระวังอย่าสูดดมฝุ่นหรือสัมผัสกับผิวหนัง ปฏิบัติตามข้อมูลด้านความปลอดภัยของผู้ผลิตวัสดุ
16. เครื่องมือนี้ไม่กันน้ำ ดังนั้นอย่าใช้น้ำบนพื้นผิวของชิ้นงาน
17. พื้นที่ทำงานต้องมีภาวะระบายอากาศอย่างเพียงพอเมื่อคุณทำการขัด
18. การใช้เครื่องมือนี้เพื่อขัดผลิตภัณฑ์บางประเภท เช่น พื้นผิวเคลือบสารตะกั่ว ไม้ หรือโลหะ อาจทำให้ผู้ใช้และผู้ที่อยู่ใกล้เคียงเฝ้าฝุ่นที่มีสารอันตรายเข้าไปได้ ดังนั้นจึงควรใช้อุปกรณ์ป้องกันระบบทางเดินหายใจที่เหมาะสม
19. ตรวจสอบให้แน่ใจว่าไม่มีรอยร้าวหรือรอยแตกบนแผ่นรองก่อนการใช้งาน รอยร้าวหรือรอยแตกอาจทำให้เกิดการบาดเจ็บ
20. อย่าใช้อุปกรณ์เสริมที่ไม่ได้ออกแบบและแนะนำโดยผู้ผลิตเครื่องมือนี้ การที่อุปกรณ์เสริมต่างๆ สามารถติดตั้งเข้ากับเครื่องมือไฟฟ้าของคุณได้นั้นไม่ได้เป็นการรับประกันว่าจะสามารถใช้งานร่วมกับอุปกรณ์ดังกล่าวได้อย่างปลอดภัย
21. สวมอุปกรณ์ป้องกันส่วนบุคคล ขึ้นอยู่กับรูปแบบการใช้งานของคุณ ให้ใช้หน้ากาก หน้ากากนิรภัยหรือแว่นนิรภัย สวมที่ป้องกันเสียง อู่มือ และผ้ากันเปื้อนที่สามารถป้องกันการกระเด็นของชิ้นงานได้ตามความเหมาะสม อุปกรณ์ป้องกันดวงตาจะต้องสามารถป้องกันฝุ่นหรือสิ่งสกปรกที่กระเด็นจากการทำงานได้ หน้ากากป้องกันฝุ่นหรือที่ช่วยหายใจจะต้องสามารถกรองอนุภาคที่เกิดจากการทำงานของคุณได้ การฟังเสียงดังมากๆ เป็นเวลานาน อาจทำให้ระบบการได้ยินเสียหายได้
22. โปรดกันให้ผู้ไม่เกี่ยวข้องอยู่ห่างจากบริเวณที่ปฏิบัติงานในระยะปลอดภัย ผู้ที่เข้าพื้นที่ปฏิบัติงานจะต้องสวมอุปกรณ์ป้องกันส่วนบุคคล เศษชิ้นงานหรืออุปกรณ์ที่แตกหักอาจจะกระเด็นและก่อให้เกิดอาการบาดเจ็บในสถานที่รอบๆ บริเวณปฏิบัติงานได้
23. อย่าวางเครื่องมือไฟฟ้าลงจนกว่าจะหยุดหมุนสนิท อุปกรณ์ที่กำลังหมุนอาจจะกระแทกกับพื้นผิวและทำให้เครื่องมือไฟฟ้าหลุดมือของคุณได้
24. อย่าเปิดเครื่องมือไฟฟ้าเมื่อถือไว้ข้างตัวคุณ เนื่องจากการสัมผัสกับอุปกรณ์โดยไม่ได้ตั้งใจนั้นอาจพันกับเสื้อผ้าของคุณและดึงอุปกรณ์เข้าสู่ร่างกายของคุณได้
25. อย่าใช้เครื่องมือไฟฟ้าใกล้ๆ วัสดุที่ติดไฟได้ เนื่องจากประกายไฟอาจทำให้วัสดุดังกล่าวติดไฟ

26. อย่าใช้อุปกรณ์เสริมที่ต้องใช้ของเหลวเพื่อระบายความร้อน การใช้น้ำหรือของเหลวเพื่อระบายความร้อนอื่นๆ อาจทำให้เกิดไฟฟ้าดูดได้
27. ตรวจสอบให้แน่ใจเสมอว่าเครื่องมือปิดสวิตช์อยู่และถอดปลั๊กแล้วก่อนดำเนินการใดๆ กับเครื่องมือ
28. หากสถานที่ปฏิบัติงานนั้นร้อนและชื้นมาก หรือมีฝุ่นที่นำไฟฟ้าได้มาก ให้ใช้เบรกเกอร์ป้องกันกระแสลัดวงจร (30 mA) เพื่อความปลอดภัยของผู้ใช้งาน
29. ตรวจสอบให้แน่ใจว่าได้ยืนอย่างมั่นคง หากใช้งานเครื่องมือในพื้นที่สูง ระมัดระวังให้มีคนอยู่ด้านล่าง
30. ก่อนเริ่มทำงาน ตรวจสอบให้แน่ใจว่าไม่มีสายหรือท่อจ่ายพลังงาน เช่น สายไฟ ท่อแก๊ส และท่อจ่ายน้ำซ่อนอยู่ใต้พื้นที่ทำงาน การตัดหรือทำให้สายหรือท่อจ่ายพลังงานเสียหายอาจทำให้เกิดไฟฟ้าช็อต แก๊สรั่ว ทรัพย์สินเสียหาย หรืออุบัติเหตุอื่นๆ ได้

ปฏิบัติตามคำแนะนำเหล่านี้

คำเตือน: อย่าให้ความไม่ระมัดระวังหรือความคุ้นเคยกับผลิตภัณฑ์ (จากการใช้งานซ้ำหลายครั้ง) อยู่เหนือการปฏิบัติตามกฎเกณฑ์ด้านความปลอดภัยในการใช้งาน ผลิตภัณฑ์อย่างเคร่งครัด การใช้งานอย่างไม่เหมาะสมหรือการไม่ปฏิบัติตามกฎเกณฑ์ด้านความปลอดภัยในคู่มือการใช้งานนี้อาจทำให้ได้รับบาดเจ็บร้ายแรง

คำอธิบายการทำงาน

ข้อควรระวัง: ตรวจสอบให้แน่ใจว่าได้ปิดสวิตช์เครื่องมือและถอดปลั๊กออกก่อนปรับตั้งหรือตรวจสอบการทำงานของเครื่องมือ

การทำงานของสวิตช์

ข้อควรระวัง: ก่อนเสียบปลั๊กเครื่องมือ ให้ตรวจสอบว่าสวิตช์เครื่องมืออยู่ในตำแหน่งปิดเสมอ

การเริ่มใช้งานเครื่องมือ ให้เลื่อนสวิตช์เลื่อนไปยังตำแหน่ง “I (เปิด)”

และเมื่อต้องการหยุดเครื่องมือ ให้เลื่อนสวิตช์เลื่อนไปยังตำแหน่ง “O (ปิด)”

► หมายเลข 1: 1. สวิตช์เลื่อน

การปรับอัตราระงับการหมุน

สามารถปรับอัตราระงับการหมุนได้ การเปลี่ยนอัตราระงับการหมุน ให้ปรับเป็นระหว่าง 1 และ 5 ยิ่งหมายเลขสูงขึ้น อัตราระงับการหมุนก็จะสูงขึ้นตามไปด้วย โปรดตั้งค่าเป็นไปตามที่หมายเลขที่เหมาะสมสำหรับชั้นงานของคุณไว้ล่วงหน้า

► หมายเลข 2: 1. เป็น

หมายเหตุ: ไม่สามารถปรับเป็นโดยตรงจาก 1 ไป 5 หรือจาก 5 ไป 1 ได้ การปรับเป็นอาจทำให้เครื่องมือเสียหายได้ เมื่อเปลี่ยนทิศทางของแป้น ให้ปรับเป็นโดยเคลื่อนไปทางหมายเลขที่อยู่ระหว่างแต่ละหมายเลขเสมอ

การประกอบ

ข้อควรระวัง: ตรวจสอบให้แน่ใจว่าได้ปิดสวิตช์เครื่องมือและถอดปลั๊กออกก่อนดำเนินการใดๆ กับเครื่องมือ

การติดตั้งหรือถอดเครื่องมือประยุกต์

อุปกรณ์เสริม

คำเตือน: อย่าติดตั้งเครื่องมือประยุกต์กลับด้าน การติดตั้งเครื่องมือประยุกต์กลับด้านอาจทำให้เครื่องมือเสียหายและทำให้ได้รับบาดเจ็บสาหัสได้

คำเตือน: ติดตั้งเครื่องมือต่อพ่วงในทิศทางที่ถูกต้องตามงานของคุณ สามารถติดตั้งเครื่องมือประยุกต์ที่มุมทุกๆ 30 องศา

คำเตือน: ติดตั้งเครื่องมือประยุกต์โดยให้ส่วนที่ยื่นออกมาของแกนเครื่องมือเข้าพอดีในรูของเครื่องมือประยุกต์เสมอ ไม่เช่นนั้นอาจทำให้เครื่องมือประยุกต์ถูกเหวี่ยงออก และทำให้ได้รับบาดเจ็บได้

คำเตือน: เมื่อทำการติดตั้งเครื่องมือประยุกต์ ตรวจสอบให้แน่ใจว่าได้ขันสลักเกลียวสำหรับติดตั้งเครื่องมือประยุกต์ให้แน่นแล้ว

ประกอบเครื่องมือประยุกต์ (อุปกรณ์เสริม) บนแกนของเครื่องมือโดยให้ส่วนที่ยื่นออกมาของแกนเครื่องมือเข้าพอดีในรูบนเครื่องมือประยุกต์ แล้วยึดเครื่องมือประยุกต์โดยขันสลักเกลียวให้แน่นด้วยประแจหกเหลี่ยม

เมื่อใช้เครื่องมือประยุกต์สำหรับขัดด้วยกระดาษทราย ให้ติดตั้งเครื่องมือประยุกต์เข้ากับแผ่นกระดาษทรายโดยให้เครื่องมือตรงกับทิศทางของแผ่นกระดาษทราย แผ่นกระดาษทรายมีระบบติดตั้งประเภทกึ่งเย็บและห่วงซึ่งจะทำให้ติดตั้งกระดาษทรายได้ง่ายและรวดเร็ว

เนื่องจากกระดาษทรายมีรูสำหรับการดูดฝุ่น ให้ติดตั้งกระดาษทรายโดยให้รูของกระดาษทรายตรงกับรูของแผ่นกระดาษทราย

การนำกระดาษทรายออก ให้ยกส่วนปลายขึ้นแล้วลอกออก คลายและถอดสลักเกลียวสำหรับติดตั้งเครื่องมือประยุกต์ โดยใช้ประแจหกเหลี่ยม จากนั้นนำเครื่องมือประยุกต์ออก

► **หมายเลข 3:** 1. สลักเกลียวสำหรับติดตั้งเครื่องมือประยุกต์ 2. รูนบนเครื่องมือประยุกต์ 3. ส่วนที่ยื่นออกมาของแกนเครื่องมือ

► **หมายเลข 4:** 1. สลักเกลียวสำหรับติดตั้งเครื่องมือประยุกต์ 2. ประแจหกเหลี่ยม 3. ชั้นแน่น

เมื่อใช้เครื่องมือประยุกต์กับประเภทของส่วนติดตั้งอื่นๆ ให้ใช้ตัวแปลงที่ถูกต้อง (อุปกรณ์เสริม)

► **หมายเลข 5:** 1. สลักเกลียวสำหรับติดตั้งเครื่องมือประยุกต์ 2. รูนบนเครื่องมือประยุกต์ 3. ตัวแปลง 4. ส่วนที่ยื่นออกมาของแกนเครื่องมือ

การใช้งาน

▲ **คำเตือน:** ก่อนเริ่มใช้งานเครื่องมือและระหว่างการใช้งาน ดูแลให้มือและใบหน้าอยู่ห่างจากเครื่องมือประยุกต์

▲ **ข้อควรระวัง:** อย่าใส่ไหลดที่เครื่องมือมากเกินไป ซึ่งอาจทำให้มอเตอร์ล๊อคและทำให้เครื่องมือหยุดทำงานได้

การตัด การเลื่อย และการขัด

▲ **ข้อควรระวัง:** อย่าฝืนเคลื่อนเครื่องมือในทิศทาง (เช่น ไปทางอีกด้าน) ของเครื่องมือประยุกต์ที่ไม่มีขอบสำหรับตัด เนื่องจากอาจทำให้เครื่องมือเสียหายได้

วางเครื่องมือประยุกต์บนชิ้นงาน

จากนั้นให้เคลื่อนเครื่องมือไปด้านหน้าโดยไม่ให้เครื่องมือประยุกต์เคลื่อนที่ข้าง

► **หมายเลข 6**

หมายเหตุ: การฝืนหรือใช้แรงดันบนเครื่องมือที่มากเกินไปอาจลดประสิทธิภาพในการทำงานได้

หมายเหตุ: ก่อนทำการตัด ขอแนะนำให้ตั้งค่าอัตราการชะลอการหมุนที่ 3 - 5 ไว้ล่วงหน้า

การขัดด้วยกระดาษทราย

▲ **ข้อควรระวัง:** อย่านำกระดาษทรายที่ใช้สำหรับขัดโลหะมาใช้ขัดไม้ซ้าก

▲ **ข้อควรระวัง:** อย่าใช้กระดาษทรายที่เสื่อมสภาพหรือกระดาษทรายที่ไม่มีการตรวจตรา

วางกระดาษทรายบนชิ้นงาน

► **หมายเลข 7**

หมายเหตุ: แนะนำให้ใช้ตัวอย่างวัสดุทดสอบก่อนเพื่อดูว่าอัตราการชะลอการหมุนเหมาะสมกับงานของคุณแล้วหรือไม่

หมายเหตุ: ใช้กระดาษทรายที่มีกรวดทรายขนาดเดียวกันจนกระทั่งขัดทั้งชิ้นงานเสร็จสิ้น การเปลี่ยนกระดาษทรายซึ่งมีกรวดทรายขนาดแตกต่างกันอาจทำให้พื้นผิวไม่เรียบ

อุปกรณ์ต่อพ่วงสำหรับดูดฝุ่น

อุปกรณ์เสริม

▲ **คำเตือน:** อย่าใช้อุปกรณ์ต่อพ่วงสำหรับดูดฝุ่นเมื่อขัดชิ้นงานที่เป็นโลหะด้วยเครื่องมือนี้ ฝุ่นที่ร้อนอาจทำให้เกิดประกายไฟในที่ดูดฝุ่นและอาจทำให้เกิดไฟไหม้ได้

เมื่อคุณต้องการใช้ที่ดูดฝุ่น ให้ติดตั้งอุปกรณ์ต่อพ่วงสำหรับดูดฝุ่นเข้ากับเครื่องมือ เชื่อมต่อท่อของที่ดูดฝุ่นเข้ากับอุปกรณ์ต่อพ่วงสำหรับดูดฝุ่น

► **หมายเลข 8**

ประกอบอุปกรณ์ต่อพ่วงสำหรับดูดฝุ่นและติดตั้งเข้ากับเครื่องมือ

1. ติดตั้งข้อต่อ ท่อดักฝุ่น และอุปกรณ์ต่อพ่วงสำหรับดักฝุ่น

2. ติดตั้งสายรัดหัวดูดบนเครื่องมือโดยให้ส่วนที่ยื่นออกมาเข้าไปในรูของเครื่องมือเพื่อยึด

3. ใส่แหวนสลักหลาด แหวนรอง (หากจำเป็น) และแผ่นกระดาษทรายบนอุปกรณ์ต่อพ่วงสำหรับดักฝุ่น จากนั้นยึดด้วยสลักเกลียวสำหรับติดตั้งเครื่องมือประยุกต์

► **หมายเลข 9:** 1. ข้อต่อ 2. สายรัดหัวดูด 3. ท่อดักฝุ่น 4. อุปกรณ์ต่อพ่วงสำหรับดักฝุ่น 5. แหวนรอง 6. แหวนสลักหลาด (Ø 47 mm) 7. แผ่นรอง (มีเครื่องหมาย STARLOCK) 8. สลักเกลียวสำหรับติดตั้งเครื่องมือประยุกต์ 9. แหวนสลักหลาด (Ø 37 mm) 10. แผ่นรอง (มีเครื่องหมาย OIS)

ข้อสังเกต: เมื่อใช้แผ่นรองที่มีเครื่องหมาย STARLOCK โปรดตรวจสอบให้แน่ใจว่าได้ติดตั้งแหวนรองระหว่างอุปกรณ์ต่อพ่วงสำหรับดักฝุ่นและแหวนสีกหลาดแล้ว

การบำรุงรักษา

⚠ ข้อควรระวัง: ตรวจสอบให้แน่ใจว่าได้ปิดสวิตช์เครื่องมือและถอดปลั๊กออกก่อนทำการตรวจสอบหรือบำรุงรักษา

ข้อสังเกต: อย่าใช้น้ำมันเชื้อเพลิง เบนซิน ทินเนอร์ แอลกอฮอล์ หรือวัสดุประเภทเดียวกัน เนื่องจากอาจทำให้สีซีดจาง เสียรูป หรือแตกร้าวได้

เพื่อความปลอดภัยและนำเชื้อถือของผลิตภัณฑ์ ควรให้ศูนย์บริการหรือโรงงานที่ผ่านการรับรองจาก Makita เป็นผู้ดำเนินการซ่อมแซม บำรุงรักษาและทำการปรับตั้งอื่นๆ นอกจากนี้ให้ใช้อะไหล่ของแท้จาก Makita เสมอ

การทำความสะอาด

เช็ดเครื่องมือโดยใช้ผ้าแห้งหรือผ้าหมาดๆ ที่ชุบน้ำสบู่เป็นระยะๆ

▶ หมายเลข 10

Makita Corporation
3-11-8, Sumiyoshi-cho,
Anjo, Aichi 446-8502 Japan
www.makita.com

885697A371
EN, ZHCN, ID, MS,
VI, TH
20200611