



VN	VIETNAM
----	---------

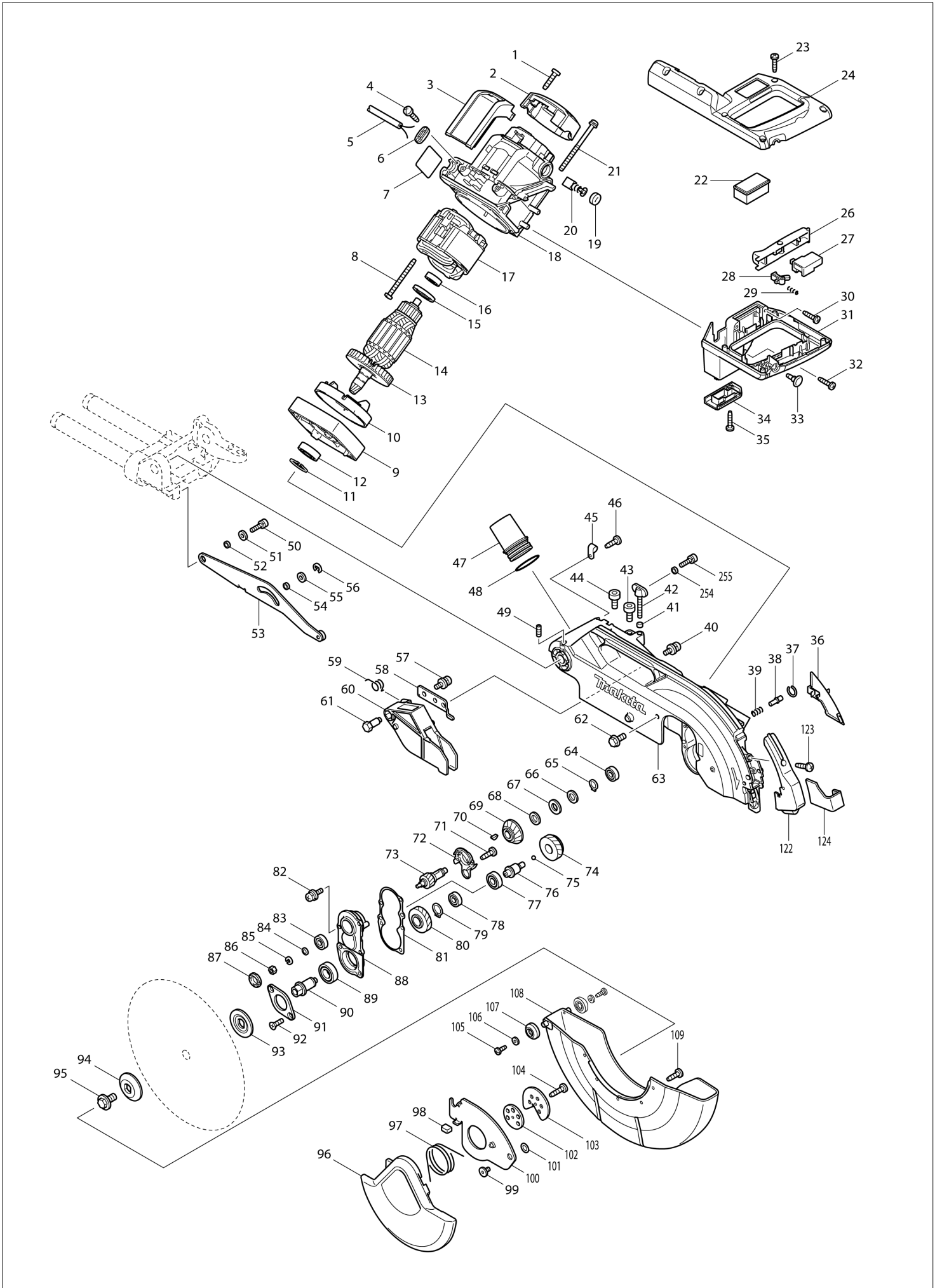
Diagram / Parts List

LS1016

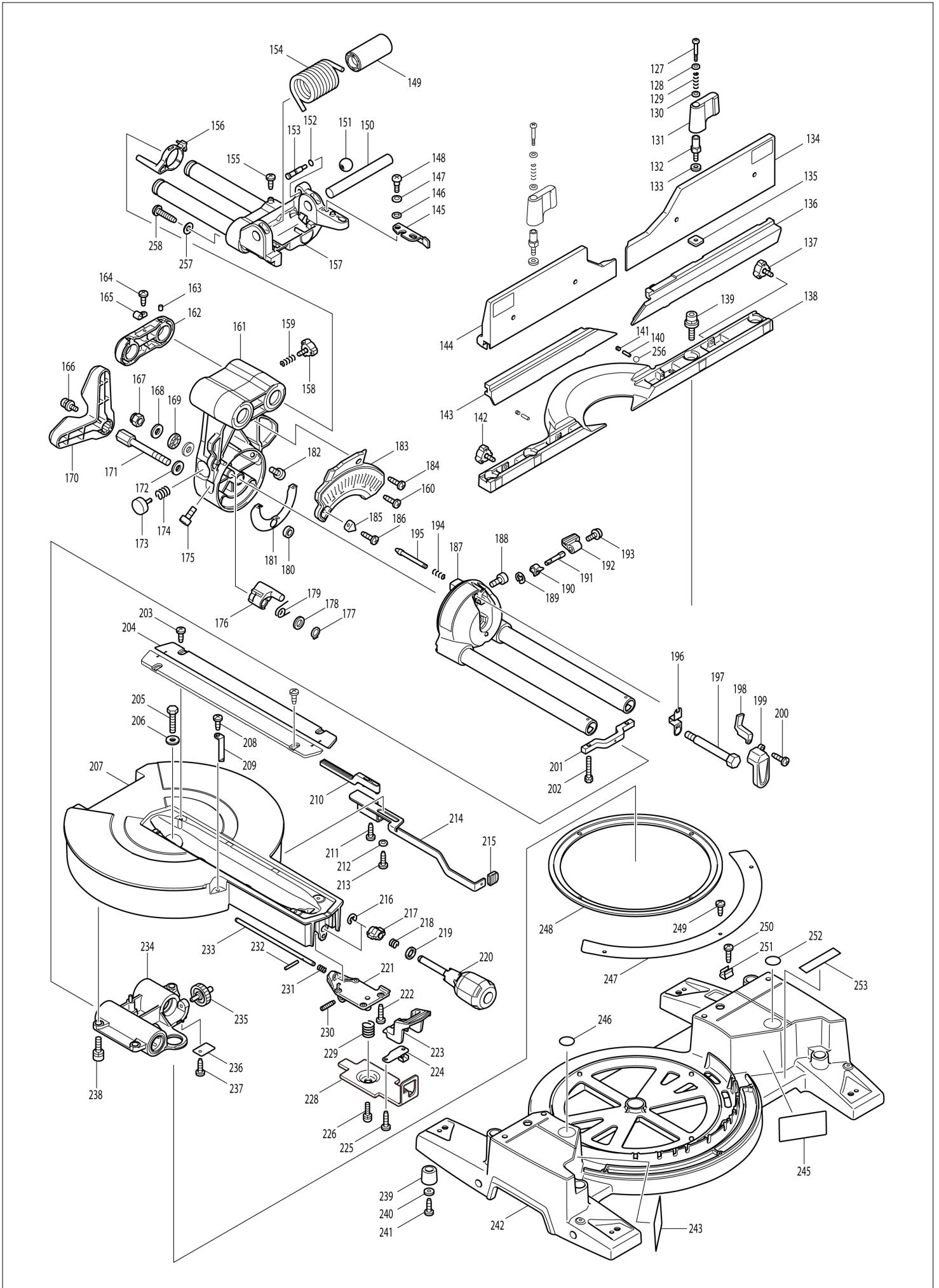
SLIDE COMPOUND SAW 255MM/260MM



(VN) LS1016 / SLIDE COMPOUND SAW 255MM/260MM



(VN) LS1016 / SLIDE COMPOUND SAW 255MM/260MM



VN	VIETNAM
-----------	----------------

LS1016 / SLIDE COMPOUND SAW 255MM/260MM

Item	Sub	Parts No.	Parts Description	Qty	I/C	E/C No.	Close No.	Remark
001		265995-6	TAPPING SCREW 4X18	2				
002		450999-3	REAR COVER	1				
003		631865-5	CONTROLLER	1				
004		265995-6	TAPPING SCREW 4X18	2				
005		691015-4	POWER SUPPLY CORD 0.75-2-2.5	1				
006		687140-7	STRAIN RELIEF	1				
007		866468-8	LS1016 NAME PLATE	1				
008		266418-7	TAPPING SCREW 5X55	2				
009		318399-2	MOTOR BRACKET	1				
010		451001-5	BAFFLE PLATE	1				
011		961057-5	RETAINING RING S-17	1				
012		211275-8	BALL BEARING 6003DDW	1			91937	
012-1		210301-0	BALL BEARING 6003DDW	1	O	91937		
013		240001-8	FAN 80	1				
014		510144-3	ARMATURE ASS'Y 220V	1				
	D10		INC. 13,15,16					
015		681642-5	INSULATION WASHER	1				
016		210067-2	BALL BEARING 6000ZZ	1				
017		590022-3	FIELD ASS'Y 220V	1				
	C10	654020-2	RING TERMINAL	2				
	C20	654502-4	CONNECTOR P-2	2				
018		140083-9	MOTOR HOUSING COMPLETE	1				
	C10	643653-8	BRUSH HOLDER 6.5-13.5	2				
019		643650-4	BRUSH HOLDER CAP 6.5-13.5	2			B0305	
019-1		643650-4	BRUSH HOLDER CAP 6.5-13.5	2	O	B0305		
020		B-80117	CARBON BRUSH SET CB-153A	1			85070	
020-1		B-80329	CARBON BRUSH SET CB-153A	1	<	85070		
021		911948-0	PAN HEAD SCREW M6X80 WITH WR	4				
022		451015-4	COVER	1				
023		265995-6	TAPPING SCREW 4X18	6				
024		450998-5	HANDLE COVER	1				
026		451003-1	SWITCH LEVER	1				
027		650618-3	SWITCH TG72B-1	1				
028		416356-5	LOCK-OFF LEVER	1				
029		231026-3	COMPRESSION SPRING 4	1				
030		265995-6	TAPPING SCREW 4X18	2				
031		140049-9	HANDLE COMPLETE	1				
	C10	810486-8	CAUTION LABEL	1				
032		265995-6	TAPPING SCREW 4X18	2				
033		451037-4	SWITCH BUTTON	1				
034		451017-0	COVER HOLDER	1			B7742	
034-1		457662-9	COVER HOLDER	1	O	B7742		
035		265995-6	TAPPING SCREW 4X18	1				
036		451004-9	LEAD COVER	1				
037		231928-3	RING SPRING 8	1				
038		256633-1	PIN 6	1				
039		231240-1	COMPRESSION SPRING 7	1				
040		911113-1	PAN HEAD SCREW M4X10 WITH WR	2				
041		262001-8	URETHANE RING 5	1			C5428	
041-1		262190-9	URETHANE RING 5	1	<	C5428		
042		265717-4	SCREW M6X43	1				
043		266488-6	HEX SOCKET HEAD BOLT M8X20	1				
044		922331-6	HEX. SOCKET HEAD BOLT M6X20	1			85520	
044-1		922332-4	HEX. SOCKET HEAD BOLT M6X20	1	S	85520		
045		687042-7	STRAIN RELIEF	1				
046		266026-4	TAPPING SCREW BIND CT 4X12	1				
047		419277-0	DUST NOZZLE	1				
048		213460-9	O RING 35	1				
049		266321-2	H.S.SET SCREW(FLAT POINT)M6X16	1				
050		922331-6	HEX. SOCKET HEAD BOLT M6X20	1				
051		253804-1	FLAT WASHER 6	1				
052		257163-5	RING 6	1				
053		158960-1	LINK PLATE COMPLETE	1				
054		257163-5	RING 6	1				
055		253804-1	FLAT WASHER 6	1				

Interchange
O : Yes
X : No
< : the new part can be substituted for the current.
> : the current part can be substituted for the new.
S : Interchangeable as a set.

VN	VIETNAM
-----------	----------------

LS1016 / SLIDE COMPOUND SAW 255MM/260MM

Item	Sub	Parts No.	Parts Description	Qty	I/C	E/C No.	Close No.	Remark
056		961018-5	STOP RING E-5	1				
057		911113-1	PAN HEAD SCREW M4X10 WITH WR	1				
058		346050-4	GUARD HOLDER	1				
059		231675-6	TORSION SPRING 11	1				
060		451006-5	GUARD	1			93048	
060-1		453634-2	GUARD	1	<	93048		
061		325645-6	GUARD SHAFT	1				
062		265324-3	HEX. FLANGE HEAD BOLT M8X12	1				
063		140055-4	BLADE CASE COMPLETE	1			91108	
	C10	263005-3	RUBBER PIN 6	3			91108	
063-1		140055-4	BLADE CASE COMPLETE	1	O	91108		
	C10	263005-3	RUBBER PIN 6	3		91108		
064		210005-4	BALL BEARING 608DDW	1				
065		961052-5	RETAINING RING S-12	1				
066		253744-3	FLAT WASHER 12	1				
067		261104-5	RUBBER WASHER 12	1				
068		253744-3	FLAT WASHER 12	1				
069		227550-2	SPIRAL BEVEL GEAR 32	1				
070		254001-2	WOODRUFF KEY 4	1				
071		266026-4	TAPPING SCREW BIND CT 4X12	2				
072		451002-3	GREASE HOLDER	1				
073		227701-7	HELICAL GEAR 14	1				
074		227702-5	HELICAL GEAR 27	1				
075		216024-8	STEEL BALL 4	1			C5722	
075-1		216049-2	STEEL BALL 4	1	O	C5722		
076		325643-0	GEAR SHAFT	1				
077		210067-2	BALL BEARING 6000ZZ	1				
078		210005-4	BALL BEARING 608DDW	1				
079		961055-9	RETAINING RING S-15	1				
080		227703-3	HELICAL GEAR 28	1				
081		442147-8	GASKET	1				
082		911223-4	PAN HEAD SCREW M5X16	3				
083		210005-4	BALL BEARING 608DDW	1				
084		267010-2	FLAT WASHER 5	1				
085		942101-7	SPRING WASHER 5	1			C3118	
085-1		253427-5	SPRING WASHER 5	1	O	C3118		
086		931202-6	HEX. NUT M5	1				
087		285847-5	BEARING RETAINER 14-23	1				
088		158957-0	BEARING BOX COMPLETE	1				
	C10	263002-9	RUBBER PIN 4	1				
089		211236-8	BALL BEARING 6002DDW	1				
090		325644-8	SPINDLE	1				
091		285732-2	BEARING RETAINER 51	1				
092		265034-2	+ COUNTERSUNK HEAD SCREW M5X1	2				
093		224428-0	INNER FLANGE 46	1			96225	
093-1		224428-0	INNER FLANGE 46	1	<	96225		
094		224429-8	OUTER FLANGE 46	1				
095		265405-3	HEX. FLANGE HEAD BOLT M10X20	1				
096		158959-6	SAFETY COVER A COMPLETE	1				
097		231634-0	TORSION SPRING 45	1				
098		424190-9	CUSHION	1				
099		265985-9	HEX.SOCKET HEAD BOLT M6	1				
100		346048-1	CENTER COVER	1				
101		253932-2	WAVE WASHER 10	1				
102		344539-6	CENTER WASHER	1				
103		346047-3	CENTER PLATE	1				
104		266034-5	TAPPING SCREW CT 4X16	1				
105		266020-6	TAPPING SCREW 4X12	2				
106		941051-3	FLAT WASHER 4	2				
107		424193-3	ROLLER	2				
108		451005-7	SAFETY COVER B	1			86368	
108-1		451754-6	SAFETY COVER B	1	<	86368		
109		266026-4	TAPPING SCREW BIND CT 4X12	3				
122		451016-2	BLADE CASE COVER	1				
123		266034-5	TAPPING SCREW CT 4X16	1				

Interchange
O : Yes
X : No
< : the new part can be substituted for the current.
> : the current part can be substituted for the new.
S : Interchangeable as a set.

VN	VIETNAM
-----------	----------------

LS1016 / SLIDE COMPOUND SAW 255MM/260MM

Item	Sub	Parts No.	Parts Description	Qty	I/C	E/C No.	Close No.	Remark
124		451038-2	PROTECTOR	1				
127		265026-1	+ PAN HEAD SCREW M4	2				
128		941102-2	FLAT WASHER 5	2				
129		233267-7	COMPRESSION SPRING 7	2				
130		941102-2	FLAT WASHER 5	2				
131		272261-4	LEVER 45	2				
132		325651-1	JOINT	2				
133		253804-1	FLAT WASHER 6	2				
134		140070-8	UPPER FENCE R COMPLETE	1			A5522	
	C10	810503-4	CAUTION LABEL	1			A5522	
134-1		142813-4	UPPER FENCE R COMPLETE	1	<	A5522		
	C10	810503-4	CAUTION LABEL	1		A5522		
135		346058-8	GUIDE PLATE	2				
136		318415-0	LOWER FENCE R	1			85917	
136-1		318596-0	LOWER FENCE R	1	<	85917	95727	
136-2		318596-0	LOWER FENCE R	1	<	95727		
137		265783-1	THUMB SCREW M6X18	1				
138		318411-8	GUIDE FENCE	1			86069	
138-1		318411-8	GUIDE FENCE	1	O	86069	95727	
138-2		318411-8	GUIDE FENCE	1	<	95727		
139		922443-5	H.S.H.BOLT M8X25 WITH WR	4				
140		256226-4	PIN 4	2				
141		266264-8	H.S.SET SCREW(FLAT POINT)M5X6	2				
142		265783-1	THUMB SCREW M6X18	1				
143		318413-4	LOWER FENCE L	1			85917	
143-1		318595-2	LOWER FENCE L	1	<	85917	95727	
143-2		318595-2	LOWER FENCE L	1	<	95727		
144		140069-3	UPPER FENCE L COMPLETE	1			A5522	
	C10	810503-4	CAUTION LABEL	1			A5522	
144-1		142812-6	UPPER FENCE L COMPLETE	1	<	A5522		
	C10	810503-4	CAUTION LABEL	1		A5522		
145		346049-9	STOPPER ARM	1				
146		253948-7	WAVE WASHER 8	1				
147		253835-0	FLAT WASHER 8	1				
148		251267-5	+ PAN HEAD SCREW M6	1				
149		451036-6	SLEEVE 17	1				
150		323740-6	ROD 16	1				
151		271601-3	KNOB 20	1				
152		213021-5	O RING 5	1				
153		324183-5	STOPPER PIN	1				
154		233537-4	TORSION SPRING 35	1				
155		266026-4	TAPPING SCREW BIND CT 4X12	1				
156		158962-7	STOPPER LEVER COMPETE	1				
	C10	263002-9	RUBBER PIN 4	1				
157		158961-9	FRONT ARM COMPLETE	1			91108	
157-1		158961-9	FRONT ARM COMPLETE	1	O	91108		
158		265783-1	THUMB SCREW M6X18	1				
159		231240-1	COMPRESSION SPRING 7	1				
160		266034-5	TAPPING SCREW CT 4X16	1				
161		158963-5	ARM COMPLETE	1				
	C10	262077-5	FELT RING 25	4				
	C20	263005-3	RUBBER PIN 6	1				
	C30	344638-4	CAP 35	3				
162		318403-7	HOLDER	1			95879	
162-1		318403-7	HOLDER	1	O	95879		
163		266208-8	H.S.SET SCREW(CUP POINT)M6X8	2				
164		266026-4	TAPPING SCREW BIND CT 4X12	1				
165		687042-7	STRAIN RELIEF	1				
166		911113-1	PAN HEAD SCREW M4X10 WITH WR	1				
167		252130-5	HEX. LOCK NUT M10-17	1				
168		253024-7	FLAT WASHER 10	2				
169		216413-7	THRUST NEEDLE CAGE 1024	1				
170		451019-6	LEVER 105	1				
171		265589-7	HEX BOLT M10	1				
172		253024-7	FLAT WASHER 10	1				

Interchange
O : Yes
X : No
< : the new part can be substituted for the current.
> : the current part can be substituted for the new.
S : Interchangeable as a set.

VN	VIETNAM
-----------	----------------

LS1016 / SLIDE COMPOUND SAW 255MM/260MM

Item	Sub	Parts No.	Parts Description	Qty	I/C	E/C No.	Close No.	Remark
173		415208-7	RELEASE BUTTON	1				
174		233031-6	COMPRESSION SPRING 12	1				
175		266488-6	HEX SOCKET HEAD BOLT M8X20	1				
176		318405-3	STOPPER	1				
177		961052-5	RETAINING RING S-12	1				
178		253744-3	FLAT WASHER 12	1				
179		231646-3	TORSION SPRING 14	1				
180		262051-3	RUBBER RING 9	1			86006	
180-1		262158-5	RUBBER RING 9	1	<	86006		
181		346071-6	PLATE	1				
182		266488-6	HEX SOCKET HEAD BOLT M8X20	1				
183		451008-1	ARM COVER	1				
184		266034-5	TAPPING SCREW CT 4X16	1				
185		343678-9	POINTER	1				
186		266034-5	TAPPING SCREW CT 4X16	1				
187		158964-3	ARM HOLDER COMPLETE	1				
	C10	263005-3	RUBBER PIN 6	1				
	C20	816927-2	BEVEL SCALE LABEL	1				
	C30	816937-9	INDICATION LABEL	1		86134		
188		266488-6	HEX SOCKET HEAD BOLT M8X20	1				
189		961011-9	STOP RING E-4	1				
190		451044-7	CAM	1				
191		325656-1	ROD 6	1				
192		272262-2	LEVER 22	1				
193		911113-1	PAN HEAD SCREW M4X10 WITH WR	1				
194		234122-6	COMPRESSION SPRING 6	1				
195		325655-3	LOCK PIN 8	1			95464	
195-1		325865-2	LOCK PIN 8	1	<	95464		
196		232250-1	LEAF SPRING	1				
197		325646-4	CENTER SHAFT	1				
198		451039-0	POSITION PLATE	1				
199		451070-6	ARM HOLDER COVER	1				
200		266034-5	TAPPING SCREW CT 4X16	1				
201		158967-7	SQUARE ROD COMPLETE	1				
	C10	263005-3	RUBBER PIN 6	1				
202		925251-3	HEX.BOLT M5X30	2				
203		266026-4	TAPPING SCREW BIND CT 4X12	4				
204		451013-8	KERF BOARD	2				
205		265585-5	HEX BOLT M8X45	1				
206		253762-1	FLAT WASHER 8	1				
207		140142-9	TURN BASE COMPLETE	1				
	C10	816930-3	INDICATION LABEL	1				
208		266026-4	TAPPING SCREW BIND CT 4X12	1				
209		451009-9	INDICATION PLATE	1				
210		451011-2	RACK BLOCK	1				
211		266385-6	TAPPING SCREW 4X14	1				
212		941051-3	FLAT WASHER 4	1				
213		266026-4	TAPPING SCREW BIND CT 4X12	1				
214		346052-0	SLIDE LOCK PLATE	1				
215		286275-7	CAP	1				
216		961013-5	STOP RING E-7	1				
217		313165-2	CAM	1				
218		231131-6	COMPRESSION SPRING 11	1				
219		267047-9	FLAT WASHER 10	1				
220		273666-1	GRIP 50	1			86069	
220-1		273666-1	GRIP 50	1	O	86069		
221		318410-0	PIN HOLDER	1				
222		266034-5	TAPPING SCREW CT 4X16	4				
223		451010-4	LOCK LEVER	1				
224		345272-3	LOCK LEVER PLATE	1				
225		266034-5	TAPPING SCREW CT 4X16	2				
226		266505-2	H.S. BINDING HEAD SCREW M6X14	1				
228		346051-2	MITER LOCK PLATE	1				
229		234104-8	COMPRESSION SPRING 13	1				
230		266306-8	SHOULDER SCREW M5	1				

Interchange
O : Yes
X : No
< : the new part can be substituted for the current.
> : the current part can be substituted for the new.
S : Interchangeable as a set.

