



VN	VIETNAM
----	---------

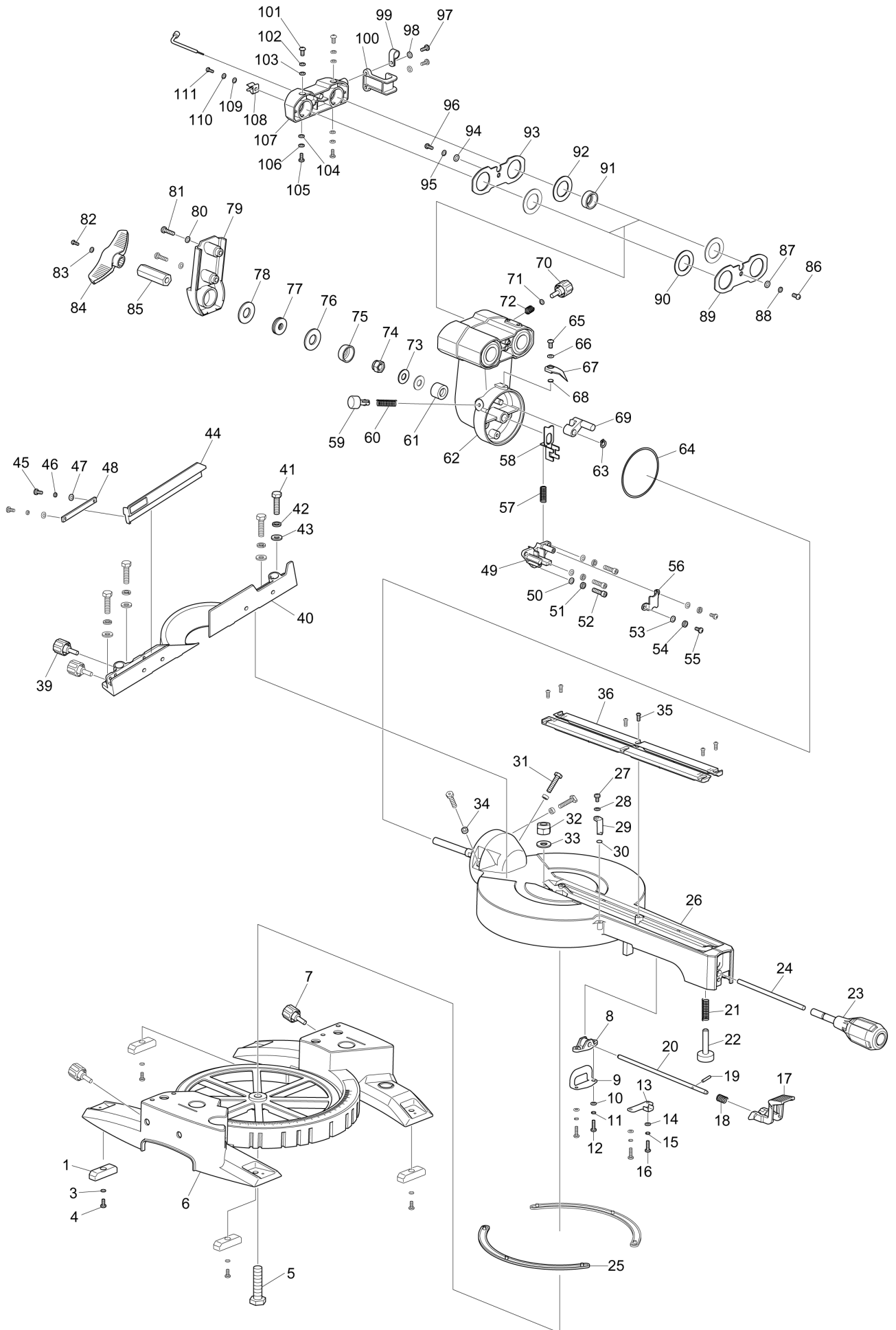
Diagram / Parts List

LS0815FL

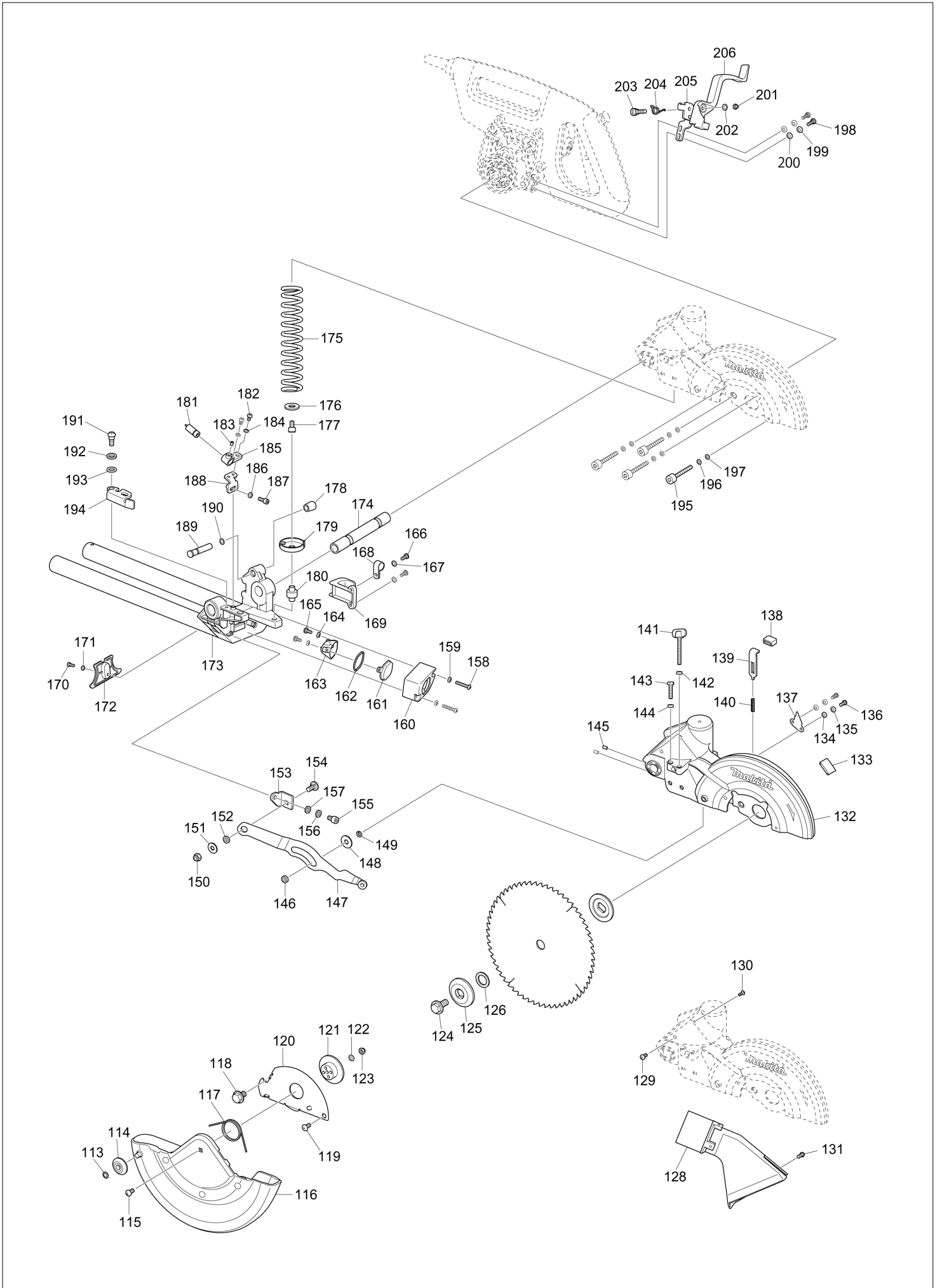
SLIDE COMPOUND MITER SAW 216MM



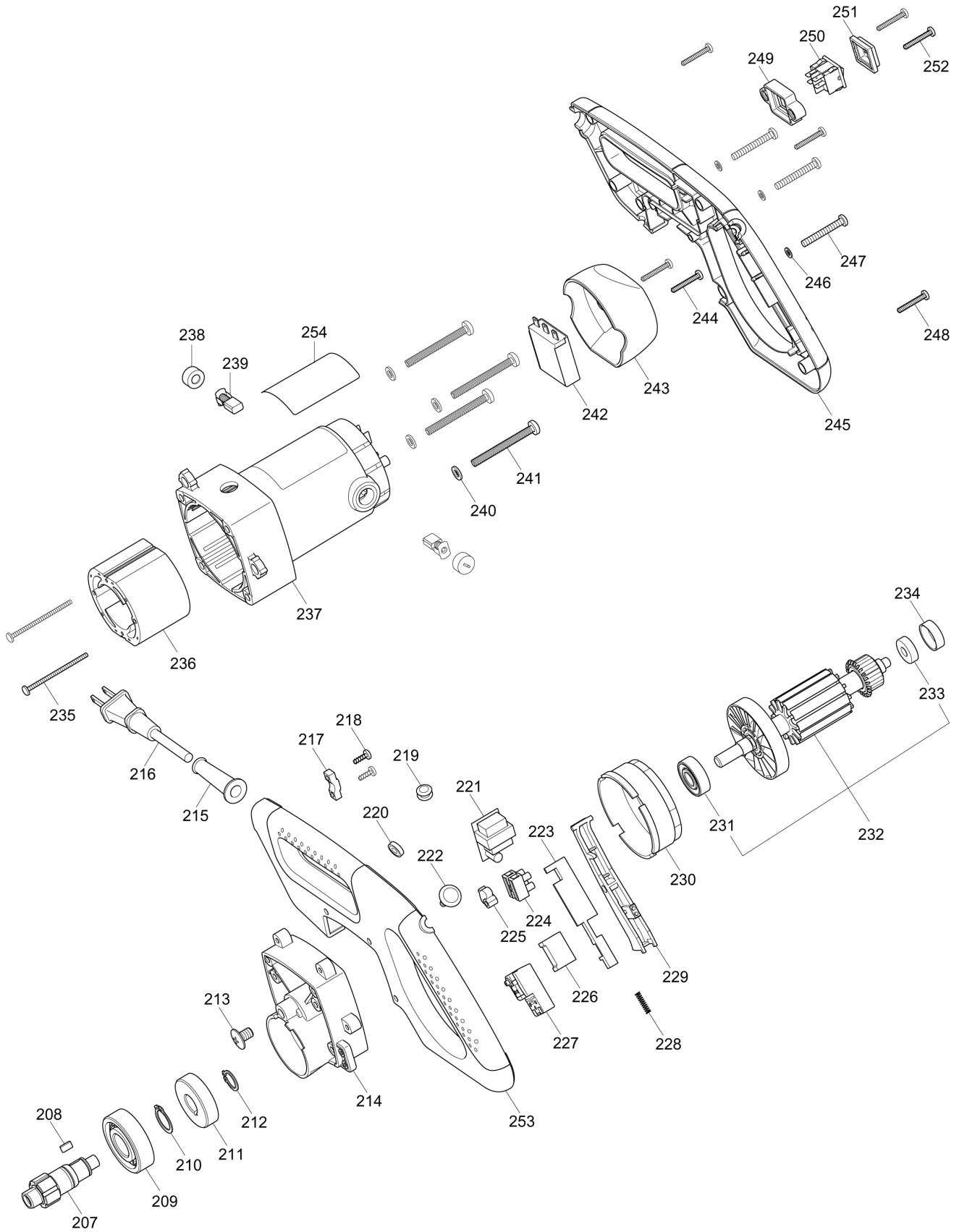
(VN) LS0815FL / SLIDE COMPOUND MITER SAW 216MM



(VN) LS0815FL / SLIDE COMPOUND MITER SAW 216MM



(VN) LS0815FL / SLIDE COMPOUND MITER SAW 216MM



VN	VIETNAM
-----------	----------------

LS0815FL / SLIDE COMPOUND MITER SAW 216MM

Item	Sub	Parts No.	Parts Description	Qty	I/C	E/C No.	Close No.	Remark
001		JM23500132	BUFFER PAD	4				
002		JM23000127	HOLDER	2		Y08275		
003		JM23100016	FLAT WASHER 4	4				
004		JM23500008	CROSS HEAD SCREW M4X10	4				
005		JM23500009	PIVOT SHAFT	1				
006		JM23510001	BASE COMPLETE	1				
	C10	JM23500010	MITER SCALE LABEL	1			Y08276	
	C20	JM2708A060	CAUTION LABEL	2			Y08276	
	C30	JM23500011	BASE	1			Y08276	
	C40	JM2318A058	CAUTION LABEL	1			Y08276	
007		JM23100013	KNOB FOR EXT.WING	2				
008		JM23100025	WORKING TABLE LOCKING BRACKET	1				
009		JM23100020	LOCK PLATE B	1				
010		JM23100016	FLAT WASHER 4	2				
011		JM23100015	SPRING WASHER 4	2				
012		JM23100014	CROSS HEAD SCREW M4X15	2			Y06856	
012-1		JM23100033	PAN HEAD SCREW M4X12	2	<	Y06856		
013		JM23100018	LOCK PLATE A	1				
014		JM23100016	FLAT WASHER 4	2				
015		JM23100015	SPRING WASHER 4	2				
016		JM23100014	CROSS HEAD SCREW M4X15	2			Y06856	
016-1		JM23100033	PAN HEAD SCREW M4X12	2	<	Y06856		
017		JM23100023	PRESS PLATE	1				
018		JM23100021	LOCK SPRING	1				
019		JM23100022	LOCK PIN	1				
020		JM23500015	LOCK SHAFT B	1				
021		JM23500014	SPRING11	1				
022		JM23500013	ADJUSTABLE ROD	1				
023		JM23100027	MITER LOCKING HANDLE	1				
024		JM23500016	LOCK SHAFT A	1				
025		JM23500012	FRICTION PLATE	2				
026		JM23510002	WORKING TABLE COMPLETE	1				
	C10	JM23500017	BEVEL SCALE LABEL	1			Y08276	
	C20	JM23500018	LOCKING ROD	1			Y08276	
	C30	JM23500019	WORKING TABLE	1			Y08276	
	C40	JM23500020	ELASTIC PIN 4X30	1				
	C50	JM23500021	HEX NUT M10	1				
027		JM23500008	CROSS HEAD SCREW M4X10	1			Y08276	
027-1		JM23100033	PAN HEAD SCREW M4X12	1	X	Y08276		
028		JM23100016	FLAT WASHER 4	1				
029		JM23100030	MITER POINTER	1				
030		JM23500053	EXTERNAL TOOTHED LOCK WASHER	1				
031		JM23100034	HEX BOLT M6X28	3			Y08276	
031-1		JM23100034	HEX BOLT M6X28	1	O	Y08276		
032		JM23500023	LOCKNUT M8	1				
033		JM23500022	FLAT WASHER 8	1				
034		JM23100035	ANTI-LOOSEN RING	3			Y08276	
034-1		JM23100035	ANTI-LOOSEN RING	1	O	Y08276		
035		JM23500008	CROSS HEAD SCREW M4X10	6			Y08276	
035-1		JM23100033	PAN HEAD SCREW M4X12	6	X	Y08276		
036		JM23100029	TABLE INSERT	2				
039		JM23100013	KNOB FOR EXT.WING	2				
040		JM23500026	RIP FENCE	1				
041		JM23100062	HEX BOLT M8X30	4				
042		JM23100061	SPRING WASHER 8	4				
043		JM23100060	FLAT WASHER 8	4				
044		JM23500025	SUB FENCE	1				
045		JM23100065	CROSS HEAD SCREW M4X8	2				
046		JM23100015	SPRING WASHER 4	2				
047		JM23100016	FLAT WASHER 4	2				
048		JM23500024	KEY	1				
049		JM23500095	45DEGREE LIMIT BRACKET	1				
050		JM23100007	FLAT WASHER 5	3				
051		JM23100149	SPRING WASHER 5	3				
052		JM23500096	H.S.BOLT M5X14	3				

Interchange
O : Yes
X : No
< : the new part can be substituted for the current.
> : the current part can be substituted for the new.
S : Interchangeable as a set.

VN	VIETNAM
-----------	----------------

LS0815FL / SLIDE COMPOUND MITER SAW 216MM

Item	Sub	Parts No.	Parts Description	Qty	I/C	E/C No.	Close No.	Remark
053		JM23100016	FLAT WASHER 4	2				
054		JM23100015	SPRING WASHER 4	2				
055		JM23500008	CROSS HEAD SCREW M4X10	2				
056		JM23500097	45DEGREE COVER	1				
057		JM23500094	SPRING8	1				
058		JM23500093	45DEGREE LIMIT PLATE	1				
059		JM23100051	LIMITED KNOB	1				
060		JM23100049	MITER PRESSION SPRING	1				
061		JM23100052	CLAMP PLATE	1				
062		JM23510008	SUPPORT ARM COMPLTE	1				
	C10	JM23100087	LOCK SCREW M6X8	2			Y08276	
	C20	JM23500089	LINEAR BEARING	3			Y08276	
	C30	JM23100081	BUFFER A	2			Y08276	
	C40	JM23500090	SUPPORT ARM	1			Y08276	
	C50	JM23500091	ANGLE LIMIT	1			Y08276	
	C60	JM23500092	BEARING GASKET	1			Y08276	
	D10		INC. 261-266			Y08276		
063		JM23500079	RETAINING RING 8	1				
064		JM23500078	FRICION RING	1				
065		JM23100014	CROSS HEAD SCREW M4X15	1			Y06856	
065-1		JM23100033	PAN HEAD SCREW M4X12	1	<	Y06856		
066		JM23100016	FLAT WASHER 4	1				
067		JM23100048	BEVEL POINTER	1				
068		JM23500053	EXTERNAL TOOTHED LOCK WASHER	1				
069		JM23500080	90DEGREE LIMIT BRACKET	1				
070		JM23100086	SLIDING BAR LOCKING KNOB	1				
071		JM23100190	SPECIAL WASHER 6	1				
072		JM23100088	PRESSURE SPRING	1				
073		JM23100010	FLAT WASHER 10	2				
074		JM23100009	LOCKNUT M10	1				
075		JM23100053	BOWL TYPE PLATE	1				
076		JM23100055	BIG FLAT WASHER 10X26X2.5	1				
077		JM23100054	SURFACE BEARING	1				
078		JM23100055	BIG FLAT WASHER 10X26X2.5	1				
079		JM23500086	SUPPORT ARM COVER	1				
080		JM23100007	FLAT WASHER 5	2				
081		JM23100006	CROSS HEAD SCREW M5X20	2				
082		JM23100019	CROSS HEAD SCREW M4X18	1				
083		JM23100016	FLAT WASHER 4	1				
084		JM23500087	BEVEL LOCKING HANDLE	1				
085		JM23500088	HEX NUT	1				
086		JM23500081	CROSS HEAD SCREW M5X	1				
087		JM23100007	FLAT WASHER 5	1				
088		JM23100149	SPRING WASHER 5	1				
089		JM23500082	SUPPORT ARM COVER	1				
090		JM23500083	DUSTPROOF RING	2				
091		JM23500084	BEARING GASKET	1			Y08276	
092		JM23500083	DUSTPROOF RING	2				
093		JM23500082	SUPPORT ARM COVER	1				
094		JM23100007	FLAT WASHER 5	1				
095		JM23100149	SPRING WASHER 5	1				
096		JM23500081	CROSS HEAD SCREW M5X	1				
097		JM23100019	CROSS HEAD SCREW M4X18	2			Y08276	
097-1		JM23100019	CROSS HEAD SCREW M4X18	1	O	Y08276		
098		JM23100016	FLAT WASHER 4	2			Y08276	
098-1		JM23100016	FLAT WASHER 4	1	O	Y08276		
099		JM23100072	CORD CLAMP	1				
100		JM23500066	CABLE HOLDER BRACKET	1				
101		JM23500081	CROSS HEAD SCREW M5X	2				
102		JM23100149	SPRING WASHER 5	2				
103		JM23100007	FLAT WASHER 5	2				
104		JM23100007	FLAT WASHER 5	2				
105		JM23500081	CROSS HEAD SCREW M5X	2				
106		JM23100149	SPRING WASHER 5	2				
107		JM23500085	SLIDING BAR BRACKET	1				

Interchange
O : Yes
X : No
< : the new part can be substituted for the current.
> : the current part can be substituted for the new.
S : Interchangeable as a set.

VN	VIETNAM
-----------	----------------

LS0815FL / SLIDE COMPOUND MITER SAW 216MM

Item	Sub	Parts No.	Parts Description	Qty	I/C	E/C No.	Close No.	Remark
108		JM23100091	WRENCH CLIP	1				
109		JM23100016	FLAT WASHER 4	1				
110		JM23100015	SPRING WASHER 4	1				
111		JM23100014	CROSS HEAD SCREW M4X15	1			Y06856	
111-1		JM23100033	PAN HEAD SCREW M4X12	1	<	Y06856		
113		JM23100103	WHEEL LOCK RING	1				
114		JM23100102	GUARD WHEEL	1				
115		JM23500031	SQUARE NECK BOLT M5X12	1				
116		JM23510004	LOW BLADE GUARD	1			Y08276	
	C10	JM23500032	LOW BLADE GUARD	1			Y07419	
	C20	JM23500033	LOW GUARD SUPPORT PLATE	1			Y07419	
	C30	JM23100104	FLAT WASHER 5	3			Y07419	
	C40	JM23100101	GUARD RIVET	3			Y07419	
116-1		JM23510024	LOW BLADE GUARD	1	<	Y08276		
117		JM23500035	GUARD SPRING	1				
118		JM23500134	HEX BOLT M8X15	1				
119		JM23100113	CROSSHEAD SCREW FOR GUARD	1				
120		JM23500036	LOW GUARD FIX PLATE	1				
121		JM23500037	GUARD LINKAGE CENTER PLATE	1				
122		JM23100007	FLAT WASHER 5	1				
123		JM23100141	LOCKNUT M5	1				
124		JM23500135	BLADE BOLT	1				
125		JM23500038	BLADE FLANGE	2			Y08276	
125-1		JM23500038	BLADE FLANGE	1	O	Y08276		
126		JM23100191	RING 25.4	1			Y08276	
128		JM23500039	DUST PORT	1				
129		JM23100193	PIN C	1			Y06902	
129-1		JM23500040	CROSS HEAD SCREW ST4.2X12	1	X	Y06902		
130		JM23100193	PIN C	1			Y06902	
130-1		JM23500040	CROSS HEAD SCREW ST4.2X12	1	X	Y06902		
131		JM23500034	CROSS HEAD SCREW	1		Y08276		
132		JM23510005	UP BLADE GUARD COMPLETE	1				
	C10	JM23500046	UP BLADE GUARD	1			Y08276	
	C20	JM23100114	LINK PIN	1			Y08276	
	C30	JM23100147	BUFFER	1			Y08276	
	D10		INC. 271-273			Y08276		
133		JM23500047	GUARD INSERT	1				
134		JM23100016	FLAT WASHER 4	2				
135		JM23100015	SPRING WASHER 4	2				
136		JM23100014	CROSS HEAD SCREW M4X15	2			Y06856	
136-1		JM23100033	PAN HEAD SCREW M4X12	2	<	Y06856		
137		JM23500048	LOCK PLATE	1				
138		JM23100138	LOCK COVER	1				
139		JM23500050	LOCK PLATE	1			Y07491	
139-1		JM23500139	LOCK PLATE	1	<	Y07491		
140		JM23500049	LOCK SPRING5	1				
141		JM23100119	LIMITED KNOB	1				
142		JM23100035	ANTI-LOOSEN RING	1				
143		JM23500051	HEX BOLT M6X25	1				
144		JM23100035	ANTI-LOOSEN RING	1				
145		JM23500052	H.S.SET SCREW	2				
146		JM23100098	LINK SLEEVE	1				
147		JM23510003	LINK COMPLETE	1				
	C10	JM23500028	LINK	1				
	C20	JM23500029	LINK PIN	1				
	C30	JM23500030	BEARING 695Z	1				
148		JM23100071	THIN FLAT WASHER 6	1				
149		JM23100115	RETAINING RING 5	1				
150		JM23500027	LOCK THIN NUT	1				
151		JM23100071	THIN FLAT WASHER 6	1				
152		JM23100098	LINK SLEEVE	1				
153		JM23500055	LINK FIX PLATE	1				
154		JM23500054	SQUARE NECK BOLT M6X14	1				
155		JM23500071	H.S.BOLT M6X12	1				
156		JM23100151	SPRING WASHER 6	1				

Interchange
O : Yes
X : No
< : the new part can be substituted for the current.
> : the current part can be substituted for the new.
S : Interchangeable as a set.

VN	VIETNAM
-----------	----------------

LS0815FL / SLIDE COMPOUND MITER SAW 216MM

Item	Sub	Parts No.	Parts Description	Qty	I/C	E/C No.	Close No.	Remark
157		JM23100190	SPECIAL WASHER 6	1				
158		JM23500056	CROSS HEAD SCREW M4X28	2				
159		JM23100016	FLAT WASHER 4	2				
160		JM23500057	LAMP COVER	1				
161		JM23500058	LAMP LENZ	1				
162		JM23500059	SEALING RING	1				
163		JM23510006	LAMP ASSY	1				
	C10	JM23500060	REFLECTOR	1				
	C20	JM23500061	LIGHT	1				
164		JM23500128	FLAT WASHER 3	2				
165		JM23500062	S.T.CROSS HEAD SCREW 9X13	2				
166		JM23100019	CROSS HEAD SCREW M4X18	2			Y08276	
166-1		JM23100019	CROSS HEAD SCREW M4X18	1	O	Y08276		
167		JM23100016	FLAT WASHER 4	2			Y08276	
167-1		JM23100016	FLAT WASHER 4	1	O	Y08276		
168		JM23100072	CORD CLAMP	1				
169		JM23500066	CABLE HOLDER BRACKET	1				
170		JM23500008	CROSS HEAD SCREW M4X10	1				
171		JM23100016	FLAT WASHER 4	1				
172		JM23500077	BRACKET BACK COVER	1				
173		JM23510007	UP BLADE GUARD BRACKET COMP	1				
	C10	JM23500074	SLIDING BAR	2			Y08276	
	C20	JM23500075	ELASTIC PIN 5	2			Y08276	
	C30	JM23500076	UP BLADE GUARD BRACKET	1			Y08276	
	C40	JM23180059	CAUTION LABEL	1			Y08276	
174		JM23500064	CONNECTION SHAFT	1				
175		JM23500072	SPRING32	1				
176		JM23500022	FLAT WASHER 8	1				
177		JM23500071	H.S.BOLT M6X12	1				
178		JM23100097	PIN CAP	1				
179		JM23500065	SPRING BRACKET	1				
180		JM23500063	SPRING SUPPORT PIN	1				
181		JM23500070	LASER	1				
182		JM23500068	H.S.BOLT M4X8	2			Y08276	
182-1		JM23100146	H.S.BOLT M4X10	2	X	Y08276		
183		JM23500069	H.S.SET SCREW	1				
184		JM23100016	FLAT WASHER 4	2				
185		JM23500067	LASER BRACKET	1				
186		JM23100016	FLAT WASHER 4	1				
187		JM23100067	H.S.BOLT M4X12	1			Y08276	
187-1		JM23100146	H.S.BOLT M4X10	1	X	Y08276		
188		JM23500073	LASER MOVING PLATE	1				
189		JM23100093	PIN C	1			Y06903	
189-1		JM23100193	PIN C	1	<	Y06903		
190		JM23100150	SEALING RING	1				
191		JM23100096	DEPTH ADJUSTABLE PLATE BOLT	1				
192		JM23100060	FLAT WASHER 8	1				
193		JM23100094	WAVE SPRING WASHER	1				
194		JM23100092	CUTTING DEPTH ADJUSTABLE PLATE	1				
195		JM23500041	H.S.BOLT M6X40	4				
196		JM23100151	SPRING WASHER 6	4				
197		JM23100190	SPECIAL WASHER 6	4				
207		JM23500103	OUTPUT SHAFT	1				
208		JM23100156	KEY 5X10	1				
209		JM23100157	BEARING 6304	1				
210		JM23100158	RETAINING RING 20	1				
211		JM23500104	GEAR WHEEL	1				
212		JM23100160	RETAINING RING 16	1				
213		JM23100161	OUTPUT SHAFT SCREW M8X12	1				
214		JM23510011	GEAR BOX COMPLETE	1				
	C10	JM23500105	GEAR BOX	1			Y08276	
	C20	JM23100162	BUSH	1			Y08276	
215		JM23100165	PROTECTION TUBE	1			Y08333	
215-1		JM00000268	PROTECTION TUBE	1	>	Y08333		
216		JM23000154	POWER SUPPLY CORD ASSY GAMBIA	1				

Interchange
O : Yes
X : No
< : the new part can be substituted for the current.
> : the current part can be substituted for the new.
S : Interchangeable as a set.

VN	VIETNAM
-----------	----------------

LS0815FL / SLIDE COMPOUND MITER SAW 216MM

Item	Sub	Parts No.	Parts Description	Qty	I/C	E/C No.	Close No.	Remark
217		JM23100166	CORD CLAMP	1				
218		JM23100193	PIN C	2			Y06902	
218-1		JM23500040	CROSS HEAD SCREW ST4.2X12	2	X	Y06902		
219		JM23500108	PROTECTIVE SLEEVE	1				
220		JM23500133	MAGNETIC RING ASSY	1		Y08333		
221		JM23500109	TRANSFORMER	1				
222		JM23100177	BRAKE SYSTEM SWITCH KEY	1				
223		JM23100175	SWITCH LOCK PLATE	1				
224		JM23100171	TERMINAL POLE	1				
225		JM23100173	SWITCH LOCK BRACKET	1				
226		JM23100169	CAPACITOR	1				
227		JM23100179	ELECTRIC SWITCH	1				
228		JM23100176	SWITCH HANDLE SPRING	1				
229		JM23100174	SWITCH HANDLE	1				
230		JM23500110	BAFFLER RING	1				
231		JM23500137	BALL BEARING 6201	1				
232		JM23500001	ARMATURE(230V)	1				
	D10		INC. 231,233					
233		JM23500111	BEARING 608	1				
234		JM23500112	DAMPING RING	1				
235		JM23500113	S.T. CROSS HEAD 4.2X65	2				
236		JM23500004	FIELD 230V	1				
237		JM23510012	MOTOR HOUSING COMPLETE	1				
	C10	JM23500114	MOTOR HOUSING	1			Y08276	
	C20	JM23500115	BRUSH HOLDER	2			Y08276	
	C30	JM23100185	H.S.SCREW M5X8	2			Y08276	
	C40	JM23180057	CAUTION LABEL	1			Y08276	
	C50	JM23180056	CAUTION LABEL	1			Y08276	
238		JM23500116	BRUSH COVER	2				
239		JM23500117	CARBON BRUSH 2PCS/SET	2			Y08141	
239-1		JM23500117	CARBON BRUSH 2PCS/SET	1	<	Y08141		
240		JM23100190	SPECIAL WASHER 6	4				
241		JM23500118	CROSS HEAD SCREW M6X60	4				
242		JM23100186	SOFT STARTER	1				
243		JM23500119	MOTOR REAR COVER	1				
244		JM23100167	SELF TAPPING SCREW M4X16	2				
245		JM23500121	RIGHT HANDLE	1				
246		JM23100007	FLAT WASHER 5	3				
247		JM23500123	CROSS HEAD SCREW M5X40	3				
248		JM23100167	SELF TAPPING SCREW M4X16	3				
249		JM23500124	SWITCH BRACKET	1				
250		JM23500125	LASER SWITCH	1				
251		JM23500126	LASER SWITCH PROTECTIVE COVER	1				
252		JM23500120	ST CROSS HEAD SCREW 4.2X28	2				
253		JM23500107	LEFT HANDLE	1				
254		JM23580018	NAMEPLATE	1			Y08276	
256		JM2708B060	CAUTION LABEL	2		Y08276		
257		JM23100034	HEX BOLT M6X28	1		Y08276		
258		JM23100035	ANTI-LOOSEN RING	1		Y08276		
259		JM23100034	HEX BOLT M6X28	1		Y08276		
260		JM23100035	ANTI-LOOSEN RING	1		Y08276		
261		JM23100087	LOCK SCREW M6X8	2		Y08276		
262		JM23100081	BUFFER A	2		Y08276		
263		JM23500089	LINEAR BEARING	3		Y08276		
264		JM23500092	BEARING GASKET	2		Y08276		
265		JM23500090	SUPPORT ARM	1		Y08276		
266		JM23500091	ANGLE LIMIT	1		Y08276		
267		JM23100019	CROSS HEAD SCREW M4X18	1		Y08276		
268		JM23100016	FLAT WASHER 4	1		Y08276		
269		JM23500038	BLADE FLANGE	1		Y08276		
271		JM23500046	UP BLADE GUARD	1		Y08276		
272		JM23100114	LINK PIN	1		Y08276		
273		JM23100147	BUFFER	1		Y08276		
274		JM23100019	CROSS HEAD SCREW M4X18	1		Y08276		
275		JM23100016	FLAT WASHER 4	1		Y08276		

Interchange
O : Yes
X : No
< : the new part can be substituted for the current.
> : the current part can be substituted for the new.
S : Interchangeable as a set.

