



VN	VIETNAM
----	---------

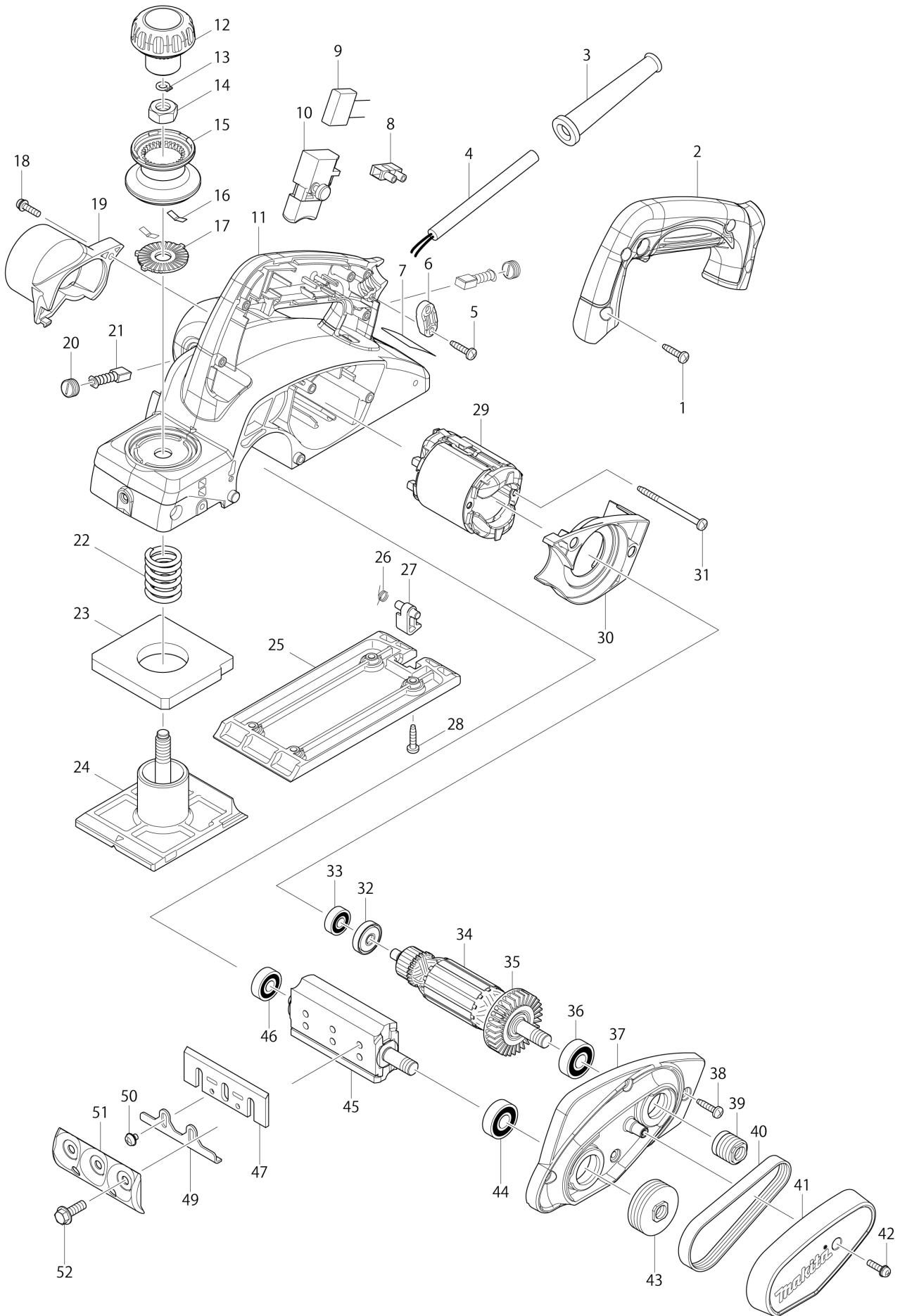
# Diagram / Parts List

**KP0800**

**POWER PLANER 82MM**



(VN) KP0800 / POWER PLANER 82MM



<b>VN</b>	<b>VIETNAM</b>
-----------	----------------

### KP0800 / POWER PLANER 82MM

Item	Sub	Parts No.	Parts Description	Qty	I/C	E/C No.	Close No.	Remark
001		266326-2	TAPPING SCREW 4X18	4				
002		451314-4	HANDLE COVER	1				
003		682504-0	CORD GUARD 10-85	1				
004		691015-4	POWER SUPPLY CORD 0.75-2-2.5	1				
005		266326-2	TAPPING SCREW 4X18	2				
006		687140-7	STRAIN RELIEF	1				
007		867138-2	KP0800 NAME PLATE	1				
010		650236-7	SWITCH SGEL115CDY-13	1				
011		140197-4	MAIN FRAME COMPLETE	1				
	C10	643455-2	BRUSH HOLDER 6X9	2				
012		451328-3	KNOB COVER	1				
013		961004-6	RETAINING RING S-8	1				
014		264028-4	HEX. NUT M10	1				
015		451324-1	KNOB	1			B3431	
015-1		451324-1	KNOB	1	O	B3431		
016		232185-6	LEAF SPRING	2				
017		346110-2	CAM PLATE	1			B3431	
017-1		346110-2	CAM PLATE	1	O	B3431		
018		911128-8	P.H.SCREW M4X16 WITH WR	1				
019		451393-2	CHIP COVER	1				
020		643550-8	BRUSH HOLDER CAP 5-8	2				
021		B-80391	CARBON BRUSH SET CB-411A	1				
022		231004-3	COMPRESSION SPRING 18	1				
023		421007-7	RUBBER PACKING	1				
024		318491-4	FRONT BASE	1			97780	
024-1		319010-9	FRONT BASE	1	O	97780		
025		318499-8	BASE	1			97780	
025-1		319009-4	BASE	1	O	97780		
026		231698-4	TORSION SPRING 7	1				
027		451392-4	FOOT	1				
028		266326-2	TAPPING SCREW 4X18	4				
029		593718-5	FIELD ASS'Y 220-240V	1				
	C10	654100-4	RING TERMINAL	2				
	C20	654501-6	CONNECTOR P-1.25	2				
030		451327-5	BAFFLE PLATE	1				
031		266334-3	TAPPING SCREW 4X60	2				
032		681652-2	INSULATION WASHER	1				
033		210017-7	BALL BEARING 607DDW	1				
034		515793-1	ARMATURE ASS'Y 220V	1				
	D10		INC. 32,33,35,36					
035		240052-1	FAN 46	1				
036		211088-7	BALL BEARING 6000DDW	1				
037		140201-9	BRACKET COMPLETE	1				
	C10	263002-9	RUBBER PIN 4	2				
038		266326-2	TAPPING SCREW 4X18	4				
039		222163-4	V PULLEY 4-20L	1				
040		225007-7	POLY V-BELT 4-241	1				
041		451326-7	BELT COVER	1				
042		911128-8	P.H.SCREW M4X16 WITH WR	1				
043		222164-2	V PULLEY 4-37	1				
044		211088-7	BALL BEARING 6000DDW	1				
045		161061-6	DRUM	1				
046		211032-4	BALL BEARING 608ZZ	1			D0926	
046-1		210223-4	BALL BEARING 608ZZ	1	O	D0926		
047		A-83571	PLANER BLADE 82MM	1			C0783	
047-1		D-16346	82MM HSS PLANER BLADE	1	O	C0783		
049		345644-2	ADJUST PLATE	2			B0536	
049-1		345644-2	ADJUST PLATE	2	O	B0536		
050		265132-2	+ PAN HEAD SCREW M4X5	4				
051		345007-2	DRUM PLATE	1			Y06460	
051-1		187679-5	DRUM PLATE SET	1	O	Y06460		
052		251609-3	HEX. FLANGE HEAD BOLT M6X17	6				
A01		123062-2	BLADE GAUGE ASS'Y	1			D2324	
	C10	911228-4	PAN HEAD SCREW M5X18	2			D2324	
	C20	411086-3	GAUGE PLATE	1			D2324	

Interchange  
O : Yes  
X : No  
< : the new part can be substituted for the current.  
> : the current part can be substituted for the new.  
S : Interchangeable as a set.

VN	VIETNAM
----	---------

**KP0800 / POWER PLANER 82MM**

Item	Sub	Parts No.	Parts Description	Qty	I/C	E/C No.	Close No.	Remark
A01-1		127669-6	BLADE GAUGE ASSEMBLY	1	O	D2324	D6019	
	C10	911228-4	PAN HEAD SCREW M5X18	2		D2324	D6019	
	C20	418465-6	GAUGE PLATE	1		D2324	D6019	
A01-2		122695-0	BLADE GAUGE ASS'Y	1	O	D6019		
	C10	265131-4	PAN HEAD SCREW M5X18	2		D6019		
	C20	418465-6	GAUGE PLATE	1		D6019		
A02		782209-3	SOCKET WRENCH 9	1				
A03		123004-6	SHARPENING HOLDER ASS'Y	1				
	C10	251920-3	CAP SQUARE NECK BOLT M6X30	2				
	C20	934301-3	WING NUT M6	2				
A04		165581-2	GUIDE RULE	1				
A05		265785-7	THUMB SCREW M5X10	1				
A09		442198-1	ANTI CORROSION PAPER	1		99964		
B01		195055-9	GUIDE RULE SET	1		Y07981		
	D10		INC. A04,A05			Y07981		

Interchange  
O : Yes  
X : No  
< : the new part can be substituted for the current.  
> : the current part can be substituted for the new.  
S : Interchangeable as a set.