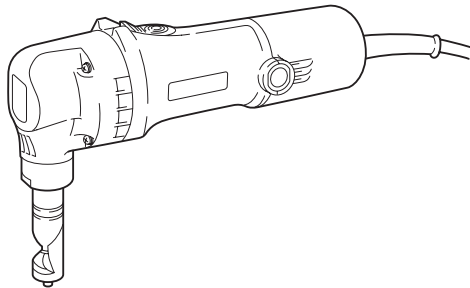




<b>EN</b>	Nibbler	INSTRUCTION MANUAL	4
<b>ZHCN</b>	电冲剪	使用说明书	9
<b>ID</b>	Mesin Potong Pelat	PETUNJUK PENGGUNAAN	14
<b>MS</b>	Pengerip logam	MANUAL ARAHAN	19
<b>VI</b>	Máy Cắt Tôn Cầm Tay Hoạt Động Bằng Động Cơ Điện	TÀI LIỆU HƯỚNG DẪN	24
<b>TH</b>	กรรไกรไฟฟ้า	คู่มือการใช้งาน	29

# JN1601



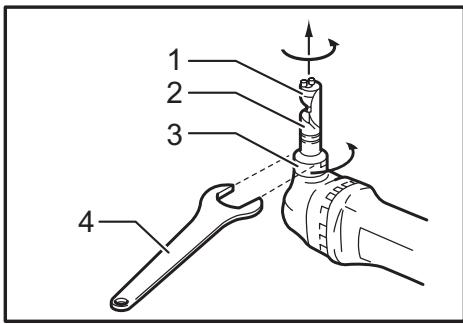


Fig.1

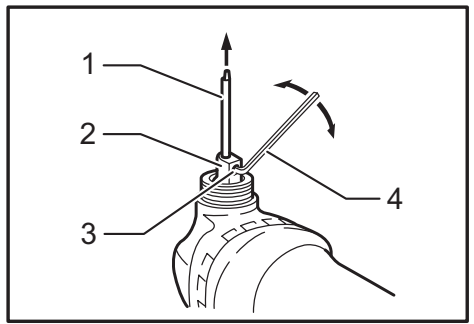


Fig.5

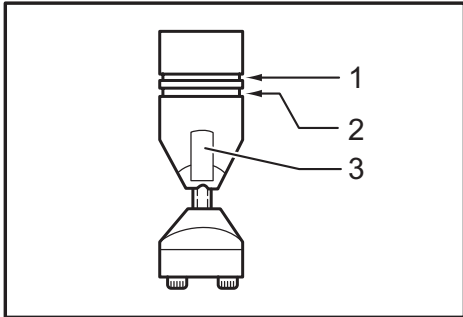


Fig.2

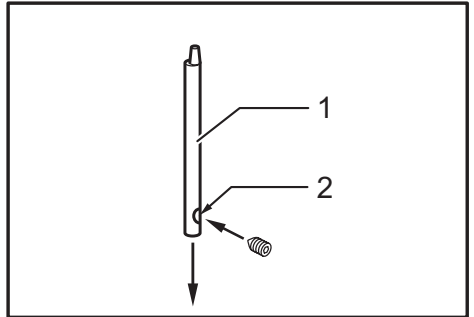


Fig.6

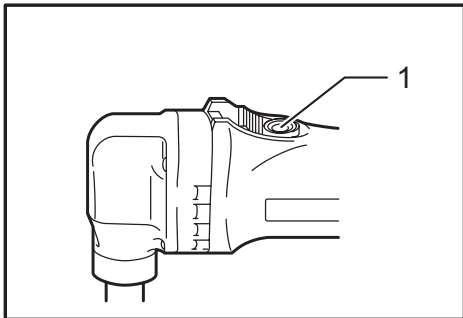


Fig.3

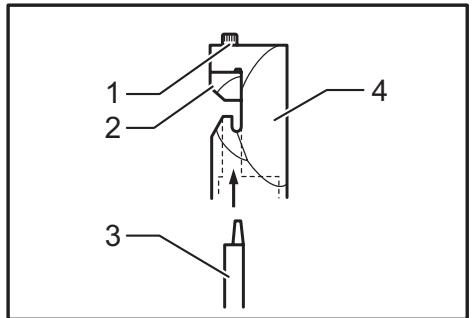


Fig.7

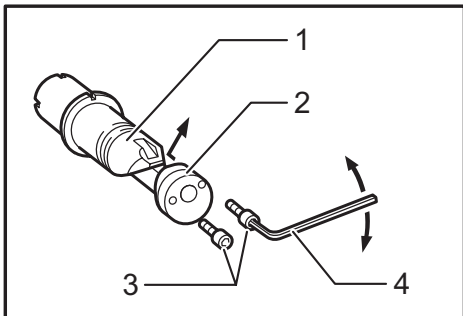


Fig.4

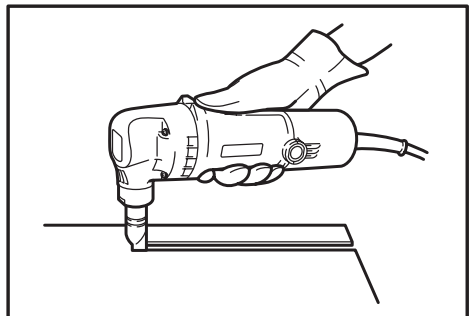


Fig.8

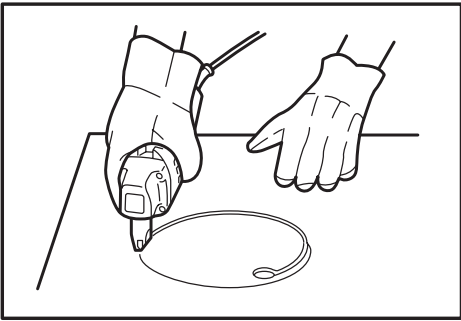


Fig.9

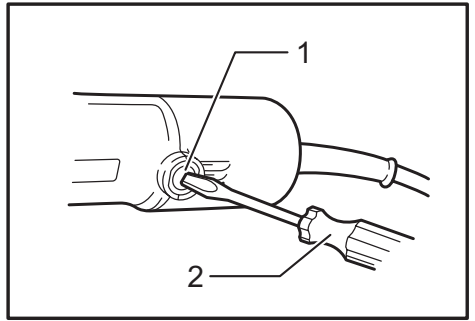


Fig.13

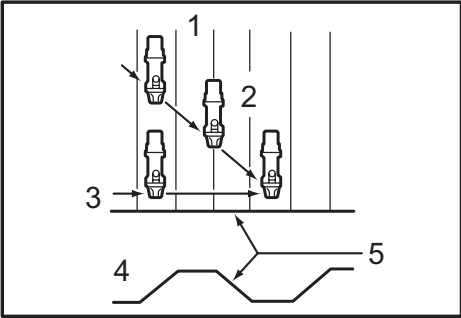


Fig.10

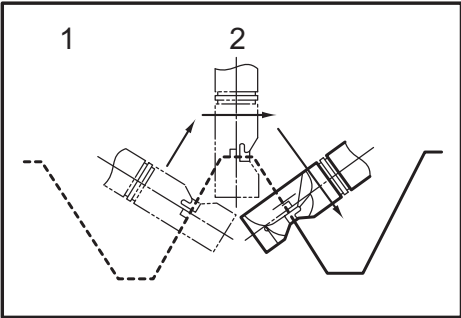


Fig.11

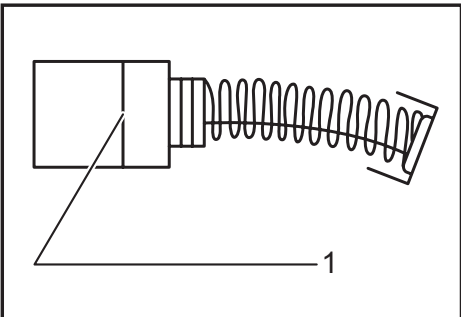


Fig.12

# SPECIFICATIONS

Model		JN1601
Max. cutting capacities	Steel up to 400 N/mm <sup>2</sup>	1.6 mm / 16 ga
	Steel up to 600 N/mm <sup>2</sup>	1.2 mm / 18 ga
	Steel up to 800 N/mm <sup>2</sup>	0.8 mm / 22 ga
	Aluminum up to 200 N/mm <sup>2</sup>	2.5 mm / 13 ga
Min. cutting radius	Outside edge	50 mm
	Inside edge	45 mm
Strokes per minute (min <sup>-1</sup> )		2,200
Overall length		261 mm
Net weight		1.6 kg
Safety class		□/II

- Due to our continuing program of research and development, the specifications herein are subject to change without notice.
- Specifications may differ from country to country.
- Weight according to EPTA-Procedure 01/2014

## Symbols

The followings show the symbols which may be used for the equipment. Be sure that you understand their meaning before use.



Read instruction manual.



DOUBLE INSULATION



Only for EU countries  
Do not dispose of electric equipment together with household waste material! In observance of the European Directive, on Waste Electric and Electronic Equipment and its implementation in accordance with national law, electric equipment that have reached the end of their life must be collected separately and returned to an environmentally compatible recycling facility.

## Intended use

The tool is intended for cutting sheet steel and stainless sheet steel.

## Power supply

The tool should be connected only to a power supply of the same voltage as indicated on the nameplate, and can only be operated on single-phase AC supply. They are double-insulated and can, therefore, also be used from sockets without earth wire.

## General power tool safety warnings

**⚠ WARNING:** Read all safety warnings, instructions, illustrations and specifications provided with this power tool. Failure to follow all instructions listed below may result in electric shock, fire and/or serious injury.

## Save all warnings and instructions for future reference.

The term “power tool” in the warnings refers to your mains-operated (corded) power tool or battery-operated (cordless) power tool.

### Work area safety

1. **Keep work area clean and well lit.** Cluttered or dark areas invite accidents.
2. **Do not operate power tools in explosive atmospheres, such as in the presence of flammable liquids, gases or dust.** Power tools create sparks which may ignite the dust or fumes.
3. **Keep children and bystanders away while operating a power tool.** Distractions can cause you to lose control.

### Electrical safety

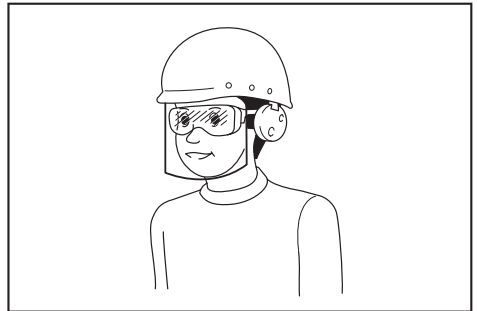
1. **Power tool plugs must match the outlet. Never modify the plug in any way. Do not use any adapter plugs with earthed (grounded) power tools.** Unmodified plugs and matching outlets will reduce risk of electric shock.
2. **Avoid body contact with earthed or grounded surfaces, such as pipes, radiators, ranges and refrigerators.** There is an increased risk of electric shock if your body is earthed or grounded.
3. **Do not expose power tools to rain or wet conditions.** Water entering a power tool will increase the risk of electric shock.

4. **Do not abuse the cord. Never use the cord for carrying, pulling or unplugging the power tool. Keep cord away from heat, oil, sharp edges or moving parts.** Damaged or entangled cords increase the risk of electric shock.
5. **When operating a power tool outdoors, use an extension cord suitable for outdoor use.** Use of a cord suitable for outdoor use reduces the risk of electric shock.
6. **If operating a power tool in a damp location is unavoidable, use a residual current device (RCD) protected supply.** Use of an RCD reduces the risk of electric shock.
7. **Use of power supply via an RCD with a rated residual current of 30 mA or less is always recommended.**
8. **Power tools can produce electromagnetic fields (EMF) that are not harmful to the user.** However, users of pacemakers and other similar medical devices should contact the maker of their device and/or doctor for advice before operating this power tool.
9. **Do not touch the power plug with wet hands.**
10. **If the cord is damaged, have it replaced by the manufacturer or his agent in order to avoid a safety hazard.**

#### Personal safety

1. **Stay alert, watch what you are doing and use common sense when operating a power tool. Do not use a power tool while you are tired or under the influence of drugs, alcohol or medication.** A moment of inattention while operating power tools may result in serious personal injury.
2. **Use personal protective equipment. Always wear eye protection.** Protective equipment such as a dust mask, non-skid safety shoes, hard hat or hearing protection used for appropriate conditions will reduce personal injuries.
3. **Prevent unintentional starting. Ensure the switch is in the off-position before connecting to power source and/or battery pack, picking up or carrying the tool.** Carrying power tools with your finger on the switch or energising power tools that have the switch on invites accidents.
4. **Remove any adjusting key or wrench before turning the power tool on.** A wrench or a key left attached to a rotating part of the power tool may result in personal injury.
5. **Do not overreach. Keep proper footing and balance at all times.** This enables better control of the power tool in unexpected situations.
6. **Dress properly. Do not wear loose clothing or jewellery. Keep your hair and clothing away from moving parts.** Loose clothes, jewellery or long hair can be caught in moving parts.
7. **If devices are provided for the connection of dust extraction and collection facilities, ensure these are connected and properly used.** Use of dust collection can reduce dust-related hazards.
8. **Do not let familiarity gained from frequent use of tools allow you to become complacent and ignore tool safety principles.** A careless action can cause severe injury within a fraction of a second.

9. **Always wear protective goggles to protect your eyes from injury when using power tools. The goggles must comply with ANSI Z87.1 in the USA, EN 166 in Europe, or AS/NZS 1336 in Australia/New Zealand. In Australia/New Zealand, it is legally required to wear a face shield to protect your face, too.**



**It is an employer's responsibility to enforce the use of appropriate safety protective equipments by the tool operators and by other persons in the immediate working area.**

#### Power tool use and care

1. **Do not force the power tool. Use the correct power tool for your application.** The correct power tool will do the job better and safer at the rate for which it was designed.
2. **Do not use the power tool if the switch does not turn it on and off.** Any power tool that cannot be controlled with the switch is dangerous and must be repaired.
3. **Disconnect the plug from the power source and/or remove the battery pack, if detachable, from the power tool before making any adjustments, changing accessories, or storing power tools.** Such preventive safety measures reduce the risk of starting the power tool accidentally.
4. **Store idle power tools out of the reach of children and do not allow persons unfamiliar with the power tool or these instructions to operate the power tool.** Power tools are dangerous in the hands of untrained users.
5. **Maintain power tools and accessories. Check for misalignment or binding of moving parts, breakage of parts and any other condition that may affect the power tool's operation. If damaged, have the power tool repaired before use.** Many accidents are caused by poorly maintained power tools.
6. **Keep cutting tools sharp and clean.** Properly maintained cutting tools with sharp cutting edges are less likely to bind and are easier to control.
7. **Use the power tool, accessories and tool bits etc. in accordance with these instructions, taking into account the working conditions and the work to be performed.** Use of the power tool for operations different from those intended could result in a hazardous situation.

8. **Keep handles and grasping surfaces dry, clean and free from oil and grease.** Slippery handles and grasping surfaces do not allow for safe handling and control of the tool in unexpected situations.
9. **When using the tool, do not wear cloth work gloves which may be entangled.** The entanglement of cloth work gloves in the moving parts may result in personal injury.

#### Service

1. **Have your power tool serviced by a qualified repair person using only identical replacement parts.** This will ensure that the safety of the power tool is maintained.
2. **Follow instruction for lubricating and changing accessories.**

### NIBBLER SAFETY WARNINGS

1. **Hold the tool firmly.**
2. **Secure the workpiece firmly.**
3. **Keep hands away from moving parts.**
4. **Edges and chips of the workpiece are sharp. Wear gloves. It is also recommended that you put on thickly bottomed shoes to prevent injury.**
5. **Do not put the tool on the chips of the workpiece. Otherwise it can cause damage and trouble on the tool.**
6. **Do not leave the tool running. Operate the tool only when hand-held.**
7. **Always be sure you have a firm footing. Be sure no one is below when using the tool in high locations.**
8. **Do not touch the punch, die or the workpiece immediately after operation; they may be extremely hot and could burn your skin.**
9. **Avoid cutting electrical wires. It can cause serious accident by electric shock.**

### SAVE THESE INSTRUCTIONS.

**⚠WARNING: DO NOT** let comfort or familiarity with product (gained from repeated use) replace strict adherence to safety rules for the subject product. **MISUSE** or failure to follow the safety rules stated in this instruction manual may cause serious personal injury.

## FUNCTIONAL DESCRIPTION

### ⚠CAUTION:

- Always be sure that the tool is switched off and unplugged before adjusting or checking function on the tool.

### Changing the die position

► **Fig.1:** 1. Die 2. Die holder 3. Lock nut 4. Wrench

The die position can be changed 360°. To change it, proceed as follows.

1. Loosen the lock nut with the wrench provided.
2. Pull the die holder slightly and turn it to the desired position for operation.
3. Tighten the lock nut to secure the die holder in the desired position.

There are four positive stops at 90° each: 0°, 90° left and right and 180°. To position the die to any of these positive stops:

1. Loosen the lock nut with the wrench provided.
2. Pull the die holder slightly and depress lightly while turning it to the desired position. The die holder will lock into one of the positive stop positions as desired.
3. Turn the die holder slightly to make sure that it is positively locked into position.
4. Tighten the lock nut to secure the die holder.

### Permissible cutting thickness

- **Fig.2:** 1. Gauge for cutting stainless: 1.2 mm (3/64")  
 2. Gauge for cutting mild steel: 1.6 mm (1/16") 3. Notch

The thickness of material to be cut depends upon the tensile strength of the material itself. The groove on the die holder acts as a thickness gauge for allowable cutting thickness. Do not attempt to cut any material which will not fit into this groove.

### Cutting line

The notch in the die holder indicates your cutting line. Its width is equal to the cutting width. Align the notch to the cutting line on the workpiece when cutting.

### Switch action

► **Fig.3:** 1. Switch lever

### ⚠CAUTION:

- Before plugging in the tool, always check to see that the switch actuates properly and returns to the "OFF" position when the rear of the switch lever is depressed.

To switch on, depress the rear of the switch lever and push it forward. Then depress the front of the switch lever to lock it.

To switch off, depress the rear of the switch lever.

## ASSEMBLY

### ⚠ CAUTION:

- Always be sure that the tool is switched off and unplugged before carrying out any work on the tool.

## Removing or installing the punch and die

► **Fig.4:** 1. Die holder 2. Die 3. Bolts 4. Hex wrench

Always replace the punch and die as a set. To remove the punch and die, loosen the lock nut with the wrench. Remove the die holder from the tool. Use the hex wrench to loosen the bolts which secure the die. Remove the die from the die holder.

Use the hex wrench to loosen the screw which secures the punch. Pull the punch out of the punch holder.

► **Fig.5:** 1. Punch 2. Punch holder 3. Screw 4. Hex wrench

To install the punch and die, insert the punch into the punch holder so that the notch in the punch faces toward the screw. Tighten the screw to secure the punch. Install the die on the die holder. Tighten the bolts to secure the die.

► **Fig.6:** 1. Punch 2. Notch

Then install the die holder on the tool so that the punch is inserted through the hole in the die holder. Tighten the lock nut to secure the die holder. After replacing the punch and die, lubricate them with machine oil and run the tool for a while.

► **Fig.7:** 1. Bolts 2. Die 3. Punch 4. Die holder

## OPERATION

### Pre-lubrication

Coat the cutting line with machine oil to increase the punch and die service life. This is particularly important when cutting aluminum.

### Cutting method

► **Fig.8**

Hold the tool so that the cutting head is at a right angle (90°) to the workpiece being cut. Move the tool gently in the cutting direction.

### Cutouts

► **Fig.9**

Cutouts can be done by first opening a round hole over 21 mm in diameter which the cutting head can be inserted into.

## Cutting the corrugated or trapezoidal sheet metals

- **Fig.10:** 1. From the top view 2. Cutting at an angle to grooves 3. Cutting perpendicular to grooves 4. From the side view 5. Corrugated or trapezoidal sheet metal

Set the die position so that the die faces the cutting direction either when cutting 3. Cutting perpendicular to grooves in corrugated or trapezoidal sheet metals.

Always hold the tool body parallel to the grooves with the cutting head at a right angle (90°) to the cutting surface as shown in the figure.

- **Fig.11:** 1. From the side view 2. Cutting head should be at a right angle (90°) to cutting surface.

## MAINTENANCE

### ⚠ CAUTION:

- Always be sure that the tool is switched off and unplugged before attempting to perform inspection or maintenance.
- Never use gasoline, benzine, thinner, alcohol or the like. Discoloration, deformation or cracks may result.

## Replacing carbon brushes

► **Fig.12:** 1. Limit mark

Remove and check the carbon brushes regularly. Replace when they wear down to the limit mark. Keep the carbon brushes clean and free to slip in the holders. Both carbon brushes should be replaced at the same time. Use only identical carbon brushes.

Use a screwdriver to remove the brush holder caps. Take out the worn carbon brushes, insert the new ones and secure the brush holder caps.

► **Fig.13:** 1. Brush holder cap 2. Screwdriver

To maintain product SAFETY and RELIABILITY, repairs, any other maintenance or adjustment should be performed by Makita Authorized Service Centers, always using Makita replacement parts.

# OPTIONAL ACCESSORIES

## **⚠ CAUTION:**

- These accessories or attachments are recommended for use with your Makita tool specified in this manual. The use of any other accessories or attachments might present a risk of injury to persons. Only use accessory or attachment for its stated purpose.

If you need any assistance for more details regarding these accessories, ask your local Makita Service Center.

- Die
- Punch
- Hex wrench
- Wrench 32

**NOTE:** Some items in the list may be included in the tool package as standard accessories. They may differ from country to country.



## 规格

型号		JN1601
最大切割能力	钢材, 最大400 N/mm <sup>2</sup>	1.6 mm / 16 ga
	钢材, 最大600 N/mm <sup>2</sup>	1.2 mm / 18 ga
	钢材, 最大800 N/mm <sup>2</sup>	0.8 mm / 22 ga
	铝材, 最大200 N/mm <sup>2</sup>	2.5 mm / 13 ga
最小切割半径	外缘	50 mm
	内缘	45 mm
冲程速度 (/min)		2,200
长度		261 mm
净重		1.6 kg
安全等级		II/III

- 生产者保留变更规格不另行通知之权利。
- 规格可能因销往国家之不同而异。
- 重量符合EPTA-Procedure 01/2014

## 符号

以下显示本设备可能会使用的符号。在使用工具之前, 请务必理解其含义。



阅读使用说明书。



II类工具



仅限于欧盟国家  
请勿将电气设备与家庭普通废弃物一同丢弃! 请务必遵守欧洲关于废弃电子电气设备的指令, 根据各国法律法规执行。达到使用寿命的电气设备必须分类回收至符合环境保护规定的再循环机构。

## 用途

本工具用于切割钢板和不锈钢板。

## 电源

本工具只可连接电压与铭牌所示电压相同的电源, 且仅可使用单相交流电源。本工具双重绝缘, 因此也可用于不带接地线的插座。

## 电动工具通用安全警告

**警告:** 阅读随电动工具提供的所有安全警告、说明、图示和规定。不遵照以下所列说明会导致电击、着火和/或严重伤害。

## 保存所有警告和说明书以备查阅。

警告中的术语“电动工具”是指市电驱动(有线)电动工具或电池驱动(无线)电动工具。

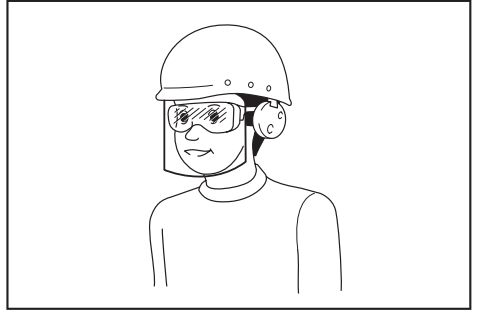
### 工作场地的安全

1. 保持工作场地清洁和明亮。杂乱和黑暗的场地会引发事故。
2. 不要在易爆环境, 如有易燃液体、气体或粉尘的环境下操作电动工具。电动工具产生的火花会点燃粉尘或气体。
3. 操作电动工具时, 远离儿童和旁观者。注意力不集中会使你失去对工具的控制。

### 电气安全

1. 电动工具插头必须与插座相配。绝不能以任何方式改装插头。需接地的电动工具不能使用任何转换插头。未经改装的插头和相配的插座将降低电击风险。

2. 避免人体接触接地表面，如管道、散热片和冰箱。如果你身体接触接地表面会增加电击风险。
  3. 不得将电动工具暴露在雨中或潮湿环境中。水进入电动工具将增加电击风险。
  4. 不得滥用软线。绝不能用软线搬运、拉动电动工具或拔出其插头。使软线远离热源、油、锐边或运动部件。受损或缠绕的软线会增加电击风险。
  5. 当在户外使用电动工具时，使用适合户外使用的延长线。适合户外使用的电线将降低电击风险。
  6. 如果无法避免在潮湿环境中操作电动工具，应使用带有剩余电流装置（RCD）保护的电源。RCD的使用可降低电击风险。
  7. 始终建议通过额定剩余电流为30 mA或以下的RCD来使用电源。
  8. 电动工具会产生对用户无害的电磁场（EMF）。但是，起搏器和其他类似医疗设备的用户应在操作本电动工具前咨询其设备的制造商和/或医生寻求建议。
  9. 请勿用湿手触摸电源插头。
  10. 如果导线破损，则由制造商或其代理商更换以避免安全隐患。
7. 如果提供了与排屑、集尘设备连接用的装置，要确保其连接完好且使用得当。使用集尘装置可降低尘屑引起的危险。
  8. 不要因为频繁使用工具而产生的熟悉感而掉以轻心，忽视工具的安全准则。某个粗心的动作可能在瞬间导致严重的伤害。
  9. 使用电动工具时请始终佩带护目镜以免伤害眼睛。护目镜须符合美国ANSI Z87.1、欧洲EN 166或者澳大利亚/新西兰的AS/NZS 1336的规定。在澳大利亚/新西兰，法律要求佩带面罩保护脸部。



雇主有责任监督工具操作者和其他近工作区域人员佩带合适的安全防护设备。

## 人身安全

1. 保持警觉，当操作电动工具时关注所从事的操作并保持清醒。当你感到疲倦，或在有药物、酒精或治疗反应时，不要操作电动工具。在操作电动工具时瞬间的疏忽会导致严重人身伤害。
2. 使用个人防护装置。始终佩戴护目镜。防护装置，诸如适当条件下使用防尘面具、防滑安全鞋、安全帽、听力防护等装置能减少人身伤害。
3. 防止意外起动。在连接电源和/或电池包、拿起或搬运工具前确保开关处于关闭位置。手指放在开关上搬运工具或开关处于接通时通电会导致危险。
4. 在电动工具接通之前，拿掉所有调节钥匙或扳手。遗留在电动工具旋转零件上的扳手或钥匙会导致人身伤害。
5. 手不要过分伸展。时刻注意立足点和身体平衡。这样能在意外情况下能更好地控制住电动工具。
6. 着装适当。不要穿宽松衣服或佩戴饰品。让你的头发和衣服远离运动部件。宽松衣服、佩饰或长发可能会卷入运动部件。

## 电动工具使用和注意事项

1. 不要勉强使用电动工具，根据用途使用合适的电动工具。选用合适的按照额定值设计的电动工具会使你工作更有效、更安全。
2. 如果开关不能接通或关断电源，则不能使用该电动工具。不能通过开关来控制的电动工具是危险的且必须进行修理。
3. 在进行任何调节、更换附件或贮存电动工具之前，必须从电源上拔掉插头和/或卸下电池包（如可拆卸）。这种防护性的安全措施降低了电动工具意外起动的风险。
4. 将闲置不用的电动工具贮存在儿童所及范围之外，并且不允许不熟悉电动工具和不了解这些说明的人操作电动工具。电动工具在未经培训的使用者手中是危险的。
5. 维护电动工具及其附件。检查运动部件是否调整到位或卡住，检查零件破损情况和影响电动工具运行的其他状况。如有损坏，应在使用前修理好电动工具。许多事故是由维护不良的电动工具引发的。

6. 保持切削刀具锋利和清洁。维护良好地有锋利切削刃的刀具不易卡住而且容易控制。
7. 按照使用说明书，并考虑作业条件和要进行的作业来选择电动工具、附件和工具的刀头等。将电动工具用于那些与其用途不符的操作可能会导致危险情况。
8. 保持手柄和握持表面干燥、清洁，不得沾有油脂。在意外的情况下，湿滑的手柄不能保证握持的安全和对工具的控制。
9. 使用本工具时，请勿佩戴可能会缠绕的布质工作手套。布质工作手套卷入移动部件可能会造成人身伤害。

#### 维修

1. 由专业维修人员使用相同的备件维修电动工具。这将保证所维修的电动工具的安全。
2. 上润滑油及更换附件时请遵循本说明书指示。

### 电冲剪使用安全警告

1. 请牢握本工具。
2. 牢固固定工件。
3. 手应远离移动的部件。
4. 工件的边缘和碎屑尖锐。佩戴手套。还建议您穿厚底鞋，以免受伤。
5. 不要将工具放在工件的碎屑上。否则，可能会损坏工具或引起问题。
6. 运行中的工具不可离手放置。只可在手握工具的情况下操作工具。
7. 请务必确保立足稳固。  
在高处使用工具时确保下方无人。
8. 操作之后，请勿立刻触摸冲头、冲模或工件，因为它们可能会非常烫而导致烫伤皮肤。
9. 避免切割电线。可能由于触电引起严重事故。

### 请保留此说明书。

**警告：** 请勿为图方便或因对产品足够熟悉（由于重复使用而获得的经验）而不严格遵循相关产品安全规则。使用不当或不遵循使用说明书中的安全规则会导致严重的人身伤害。

## 功能描述

### 小心：

- 在调节或检查工具功能之前，请务必关闭工具电源开关并拔下电源插头。

### 改变冲模位置

- **图片1:** 1. 冲模 2. 冲模模架 3. 锁紧螺母 4. 扳手

冲模位置可360°改变。要改变，请执行以下步骤。

1. 使用附带的扳手拧松锁紧螺母。
2. 轻拉模架并将其旋转到所需的操作位置。
3. 拧紧锁紧螺母，以便将冲模模架固定在需要的位置。

有四个前挡块位于各90°位置：0°、90°左侧、右侧和180°。要将冲模固定在这些前挡块中的任意一个：

1. 使用附带的扳手拧松锁紧螺母。
2. 轻拉冲模模架，并在将其拧到所需位置时轻压。冲模模架将按照需要锁定在前挡块位置之一。
3. 轻轻转动冲模模架，以确保其确实锁定到位。
4. 拧紧锁紧螺母，以便将冲模模架固定。

### 允许切割厚度

- **图片2:** 1. 切割不锈钢的量规：1.2 mm (3/64") 2. 切割软钢的量规：1.6 mm (1/16") 3. 槽口

要切割的材料厚度取决于材料自身的抗拉强度。冲模模架上的凹槽作为可允许切割厚度的厚度规使用。不要切割与此凹槽不符的任何材料。

### 切割线

冲模模块的槽口表示切割线。其厚度等于切割宽度。切割时，请将槽口对准工件上的切割线。

## 开关操作

### ► 图片3: 1. 开关柄

#### ⚠小心:

- 插上工具电源插头之前, 请务必检查开关是否工作正常, 按下其后部时是否返回到“OFF”(关闭)位置。

要打开时, 请按开关柄的后部并向前推。然后按开关柄的前以将其锁定。  
要关闭时, 请按开关柄的后部。

## 装配

#### ⚠小心:

- 对工具进行任何装配操作前请务必确认工具已关闭且已拔下电源插头。

## 拆卸或安装冲头和冲模

### ► 图片4: 1. 冲模模架 2. 冲模 3. 螺栓 4. 六角扳手

请始终成对更换冲头和冲模。要拆卸冲头和冲模, 请使用扳手拧松锁紧螺母。从工具上拆下冲模模架。使用六角扳手拧松固定冲模的螺栓。从冲模模架上拆下冲模。  
使用六角扳手拧松固定冲头的螺丝。将冲头从冲头把中拉出。

### ► 图片5: 1. 冲头 2. 冲头把 3. 螺丝 4. 六角扳手

要安装冲头和冲模, 请将冲头插入冲头把, 使冲头中的槽口面对螺丝。拧紧螺丝以紧固冲头。将冲模安装在冲模模架上。拧紧螺栓以紧固冲模。

### ► 图片6: 1. 冲头 2. 槽口

然后将冲模模架安装在工具上, 使冲头插入冲模模架的孔中。拧紧锁紧螺母, 以便将冲模模架固定。更换冲头和冲模后, 使用机油对其进行润滑, 并让工具运行一会。

### ► 图片7: 1. 螺栓 2. 冲模 3. 冲头 4. 冲模模架

## 操作

## 预润滑

在切割线上涂抹机油, 以延长冲头和冲模的使用寿命。切割铝时, 这点尤为重要。

## 切割方法

### ► 图片8

握住工具, 使切割头与要切割的工件垂直(90°)。在切割方向轻轻移动工具。

## 挖切

### ► 图片9

可通过先打开一个直径超过21 mm的圆孔(切割头可插入)进行挖切。

## 切割波纹或梯形金属板

### ► 图片10: 1. 俯视 2. 与凹槽成角度切割 3. 与凹槽垂直切割 4. 侧视 5. 波纹或梯形金属板

设置冲模位置, 使冲模在成角度切割或与凹槽垂直切割波纹或梯形金属板时都面向切割方向。

始终保持工具机身与凹槽平行, 并使切割头与切割表面垂直(90°), 如图所示。

### ► 图片11: 1. 侧视 2. 切割头应与切割表面垂直(90°)。

## 保养

#### ⚠小心:

- 检查或保养工具之前, 请务必关闭工具电源开关并拔下插头。
- 切勿使用汽油、苯、稀释剂、酒精或类似物品清洁工具。否则可能会导致工具变色、变形或出现裂缝。

## 更换碳刷

### ► 图片12: 1. 界限磨耗线

定期拆下碳刷进行检查。在碳刷磨损到界限磨耗线时进行更换。请保持碳刷清洁并使其在碳刷夹内能自由滑动。两个碳刷应同时替换。请仅使用相同的碳刷。

使用螺丝起子拆下碳刷夹盖。取出已磨损的碳刷, 插入新的碳刷, 然后紧固碳刷夹盖。

### ► 图片13: 1. 碳刷夹盖 2. 螺丝起子

为了保证产品的安全与可靠性，维修、任何其他维修保养或调节需由**Makita**（牧田）授权的维修服务中心完成。务必使用**Makita**（牧田）的替换部件。

## 选购附件

### 小心：

- 这些附件或装置专用于本说明书所列的**Makita**（牧田）电动工具。其他附件或装置的使用可能会有人身伤害风险。仅可将附件或装置用于规定目的。

如您需要了解更多关于这些选购附件的信息，请咨询当地的**Makita**（牧田）维修服务中心。

- 冲模
- 冲头
- 六角扳手
- **32号扳手**

**注：**本列表中的一些部件可能作为标准配件包含于工具包装内。它们可能因销往国家之不同而异。

## SPEKIFIKASI

Model		JN1601
Kapasitas pemotongan maks.	Baja sampai dengan 400 N/mm <sup>2</sup>	1,6 mm / 16 ga
	Baja sampai dengan 600 N/mm <sup>2</sup>	1,2 mm / 18 ga
	Baja sampai dengan 800 N/mm <sup>2</sup>	0,8 mm / 22 ga
	Aluminium sampai dengan 200 N/mm <sup>2</sup>	2,5 mm / 13 ga
Jari-jari pemotongan min.	Tepi luar	50 mm
	Tepi dalam	45 mm
Langkah per menit (min <sup>-1</sup> )		2.200
Panjang keseluruhan		261 mm
Berat bersih		1,6 kg
Kelas keamanan		□/II

- Karena kesinambungan program penelitian dan pengembangan kami, spesifikasi yang disebutkan di sini dapat berubah tanpa pemberitahuan.
- Spesifikasi dapat berbeda dari satu negara ke negara lainnya.
- Berat menurut Prosedur EPTA 01/2014

### Simbol

Berikut ini adalah simbol-simbol yang dapat digunakan pada peralatan ini. Pastikan Anda memahami arti masing-masing simbol sebelum menggunakan peralatan.



Baca petunjuk penggunaan.



ISOLASI GANDA



Hanya untuk negara-negara Uni Eropa  
Jangan membuang peralatan listrik atau baterai bersama-sama dengan bahan limbah rumah tangga! Dengan memerhatikan Petunjuk Eropa, tentang Limbah Peralatan Listrik dan Elektronik serta pelaksanaannya sesuai dengan ketentuan hukum nasional, peralatan listrik yang telah habis umur pakainya harus dikumpulkan secara terpisah dan dikembalikan ke fasilitas daur ulang yang kompatibel secara lingkungan.

### Penggunaan

Mesin ini digunakan untuk memotong baja pelat dan baja pelat tahan karat.

### Pasokan daya

Mesin harus terhubung dengan pasokan daya listrik yang bervoltase sama dengan yang tertera pada pelat nama, dan hanya dapat dijalankan dengan listrik AC fase tunggal. Mesin diisolasi ganda dan oleh sebab itu dapat dihubungkan dengan soket tanpa kabel.

### Peringatan keselamatan umum mesin listrik

**⚠ PERINGATAN:** Bacalah semua peringatan keselamatan, petunjuk, ilustrasi dan spesifikasi yang disertakan bersama mesin listrik ini. Kelalaian untuk mematuhi semua petunjuk yang tercantum di bawah ini dapat menyebabkan sengatan listrik, kebakaran dan/atau cedera serius.

### Simpanlah semua peringatan dan petunjuk untuk acuan di masa depan.

Istilah “mesin listrik” dalam semua peringatan mengacu pada mesin listrik yang dijalankan dengan sumber listrik jala-jala (berkabel) atau baterai (tanpa kabel).

#### Keselamatan tempat kerja

1. **Jaga tempat kerja selalu bersih dan berpenerangan cukup.** Tempat kerja yang berantakan dan gelap mengundang kecelakaan.
2. **Jangan gunakan mesin listrik dalam lingkungan yang mudah meledak, misalnya jika ada cairan, gas, atau debu yang mudah menyala.** Mesin listrik menimbulkan bunga api yang dapat menyalakan debu atau uap tersebut.
3. **Jauhkan anak-anak dan orang lain saat menggunakan mesin listrik.** Bila perhatian terpecah, anda dapat kehilangan kendali.

#### Keamanan Kelistrikan

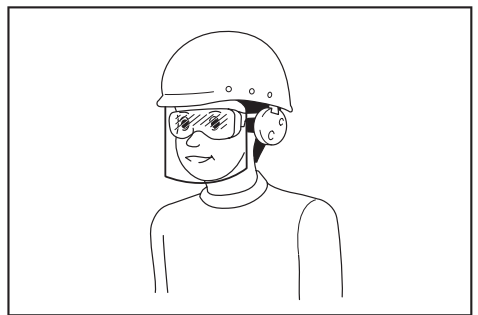
1. **Steker mesin listrik harus cocok dengan stopkontak. Jangan sekali-kali mengubah steker dengan cara apa pun. Jangan menggunakan steker adaptor dengan mesin listrik terbumi (dibumikan).** Steker yang tidak diubah dan stopkontak yang cocok akan mengurangi risiko sengatan listrik.

2. **Hindari sentuhan tubuh dengan permukaan terbumi atau yang dibumikan seperti pipa, radiator, kompor, dan kulkas.** Risiko sengatan listrik bertambah jika tubuh Anda terbumikan atau dibumikan.
3. **Jangan membiarkan mesin listrik kehujanan atau kebasahan.** Air yang masuk ke dalam mesin listrik akan meningkatkan risiko sengatan listrik.
4. **Jangan menyalahgunakan kabel.** Jangan sekali-kali menggunakan kabel untuk membawa, menarik, atau mencabut mesin listrik dari stopkontak. Jauhkan kabel dari panas, minyak, tepian tajam, atau bagian yang bergerak. Kabel yang rusak atau kusut memperbesar risiko sengatan listrik.
5. **Bila menggunakan mesin listrik di luar ruangan, gunakan kabel ekstensi yang sesuai untuk penggunaan di luar ruangan.** Penggunaan kabel yang sesuai untuk penggunaan luar ruangan mengurangi risiko sengatan listrik.
6. **Jika mengoperasikan mesin listrik di lokasi lembap tidak terhindarkan, gunakan pasokan daya yang dilindungi peranti imbasan arus (residual current device - RCD).** Penggunaan RCD mengurangi risiko sengatan listrik.
7. **Penggunaan pasokan daya melalui RCD dengan kapasitas arus sisa 30 mA atau kurang selalu dianjurkan.**
8. **Mesin listrik dapat menghasilkan medan magnet (EMF) yang tidak berbahaya bagi pengguna.** Namun, pengguna alat pacu jantung atau peralatan medis sejenisnya harus berkonsultasi dengan produsen peralatan tersebut dan/atau dokter mereka sebelum mengoperasikan mesin listrik ini.
9. **Jangan menyentuh colokan daya dengan tangan basah.**
10. **Jika kabel rusak, penggantian harus dilakukan oleh produsen atau agennya untuk menghindari bahaya keselamatan.**

#### Keselamatan Diri

1. **Jaga kewaspadaan, perhatikan pekerjaan Anda dan gunakan akal sehat bila menggunakan mesin listrik.** Jangan menggunakan mesin listrik saat Anda lelah atau di bawah pengaruh obat bius, alkohol, atau obat. Sekejap saja lalai saat menggunakan mesin listrik dapat menyebabkan cedera badan serius.
2. **Gunakan alat pelindung diri.** Selalu gunakan pelindung mata. Peralatan pelindung seperti masker debu, sepatu pengaman anti-selip, helm pengaman, atau pelindung telinga yang digunakan untuk kondisi yang sesuai akan mengurangi risiko cedera badan.
3. **Cegah penyalaan yang tidak disengaja.** Pastikan bahwa sakelar berada dalam posisi mati (off) sebelum menghubungkan mesin ke sumber daya dan/atau paket baterai, atau mengangkat atau membawanya. Membawa mesin listrik dengan jari Anda pada sakelarnya atau mengalirkan listrik pada mesin listrik yang sakelarnya hidup (on) akan mengundang kecelakaan.

4. **Lepaskan kunci-kunci penyetel sebelum menghidupkan mesin listrik.** Kunci-kunci yang masih terpasang pada bagian mesin listrik yang berputar dapat menyebabkan cedera.
5. **Jangan meraih terlalu jauh. Jagalah pijakan dan keseimbangan sepanjang waktu.** Hal ini memungkinkan kendali yang lebih baik atas mesin listrik dalam situasi yang tidak diharapkan.
6. **Kenakan pakaian yang memadai.** Jangan memakai pakaian yang longgar atau perhiasan. Jaga jarak antara rambut dan pakaian Anda dengan komponen mesin yang bergerak. Pakaian yang longgar, perhiasan, atau rambut yang panjang dapat tersangkut pada komponen yang bergerak.
7. **Jika tersedia fasilitas untuk menghisap dan mengumpulkan debu, pastikan fasilitas tersebut terhubung listrik dan digunakan dengan baik.** Penggunaan pembersih debu dapat mengurangi bahaya yang terkait dengan debu.
8. **Jangan sampai Anda lengah dan mengabaikan prinsip keselamatan mesin ini hanya karena sudah sering mengoperasikannya dan sudah merasa terbiasa.** Tindakan yang lalai dapat menyebabkan cedera berat dalam sepersekian detik saja.
9. **Selalu kenakan kacamata pelindung untuk melindungi mata dari cedera saat menggunakan mesin listrik.** Kacamata harus sesuai dengan ANSI Z87.1 di Amerika Serikat, EN 166 di Eropa, atau AS/NZS 1336 di Australia/Selandia Baru. Di Australia/Selandia Baru, secara hukum Anda juga diwajibkan mengenakan pelindung wajah untuk melindungi wajah Anda.



**Menjadi tanggung jawab atasan untuk menerapkan penggunaan alat pelindung keselamatan yang tepat bagi operator mesin dan orang lain yang berada di area kerja saat itu.**

#### Penggunaan dan pemeliharaan mesin listrik

1. **Jangan memaksa mesin listrik.** Gunakan mesin listrik yang tepat untuk keperluan Anda. Mesin listrik yang tepat akan menuntaskan pekerjaan dengan lebih baik dan aman pada kecepatan sesuai rancangannya.
2. **Jangan gunakan mesin listrik jika sakelar tidak dapat menyalakan dan mematikannya.** Mesin listrik yang tidak dapat dikendalikan dengan sakelarnya adalah berbahaya dan harus diperbaiki.

3. Cabut steker dari sumber listrik dan/atau lepas paket baterai, jika dapat dilepas, dari mesin listrik sebelum melakukan penyetelan apa pun, mengganti aksesoris, atau menyimpan mesin listrik. Langkah keselamatan preventif tersebut mengurangi risiko hidupnya mesin secara tak sengaja.
  4. Simpan mesin listrik jauh dari jangkauan anak-anak dan jangan biarkan orang yang tidak paham mengenai mesin listrik tersebut atau petunjuk ini menggunakan mesin listrik. Mesin listrik sangat berbahaya di tangan pengguna yang tak terlatih.
  5. Rawatlah mesin listrik dan aksesoris. Periksa apakah ada komponen bergerak yang tidak lurus atau macet, komponen yang pecah, dan kondisi-kondisi lain yang dapat memengaruhi pengoperasian mesin listrik. Jika rusak, perbaiki dahulu mesin listrik sebelum digunakan. Banyak kecelakaan disebabkan oleh kurangnya pemeliharaan mesin listrik.
  6. Jaga agar mesin pemotong tetap tajam dan bersih. Mesin pemotong yang terawat baik dengan mata pemotong yang tajam tidak mudah macet dan lebih mudah dikendalikan.
  7. Gunakan mesin listrik, aksesoris, dan mata mesin, dll. sesuai dengan petunjuk ini, dengan memperhitungkan kondisi kerja dan jenis pekerjaan yang dilakukan. Penggunaan mesin listrik untuk penggunaan yang lain dari peruntukan dapat menimbulkan situasi berbahaya.
  8. Jagalah agar gagang dan permukaan pegangan tetap kering, bersih, dan bebas dari minyak dan pelumas. Gagang dan permukaan pegangan yang licin tidak mendukung keamanan penanganan dan pengendalian mesin dalam situasi-situasi tak terduga.
  9. Ketika menggunakan mesin, jangan menggunakan sarung tangan kain yang dapat tersangkut. Sarung tangan kain yang tersangkut pada komponen bergerak dapat mengakibatkan cedera pada pengguna.
5. Jangan meletakkan mesin di atas geram-geram benda kerja. Jika tidak, hal tersebut dapat menyebabkan kerusakan dan masalah pada mesin.
  6. Jangan tinggalkan mesin dalam keadaan hidup. Jalankan mesin hanya ketika digenggam dengan tangan.
  7. Selalu pastikan Anda berdiri pada pijakan yang stabil. Pastikan tidak ada orang berada di bawah Anda saat menggunakan mesin di tempat yang tinggi.
  8. Jangan menyentuh penekan, cetakan atau benda kerja segera setelah pengoperasian; suhunya mungkin masih sangat panas dan dapat membakar kulit Anda.
  9. Hindari memotong kabel listrik. Hal tersebut dapat menyebabkan kecelakaan serius akibat sengatan listrik.

## SIMPAN PETUNJUK INI.

**⚠️ PERINGATAN:** JANGAN biarkan kenyamanan atau terbiasanya Anda dengan produk (karena penggunaan berulang) mengurangi kepatuhan yang ketat terhadap aturan keselamatan untuk produk yang terkait. **PENYALAHGUNAAN** atau kelalaian dalam mematuhi aturan keselamatan yang tertera pada petunjuk ini dapat menyebabkan cedera badan serius.

## DESKRIPSI FUNGSI

### ⚠️ PERHATIAN:

- Selalu pastikan bahwa mesin dalam keadaan mati dan steker tercabut sebelum menyetel atau memeriksa kerja mesin.

## Mengubah posisi cetakan

► **Gbr.1:** 1. Cetakan 2. Pemegang cetakan 3. Mur kunci 4. Kunci pas

Posisi cetakan dapat diubah 360°. Untuk mengubahnya, lakukan sebagaimana berikut.

1. Kendurkan mur kunci menggunakan kunci pas yang tersedia.
2. Tarik sedikit pemegang cetakan dan putar ke posisi pengoperasian yang diinginkan.
3. Kencangkan mur kunci untuk mengikat pemegang cetakan pada posisi yang diinginkan.

Terdapat empat perhentian positif dengan sudut 90°, masing-masing: 0°, 90° ke kiri dan kanan serta 180°. Untuk memosisikan cetakan ke salah satu perhentian positif:

1. Kendurkan mur kunci menggunakan kunci pas yang tersedia.
2. Tarik sedikit pemegang cetakan dan tekan sedikit sambil memutarkannya ke posisi yang diinginkan. Pemegang cetakan akan terkunci ke salah satu posisi perhentian positif yang diinginkan.

### Servis

1. Berikan mesin listrik untuk diperbaiki hanya kepada oleh teknisi yang berkualifikasi dengan menggunakan hanya suku cadang pengganti yang serupa. Hal ini akan menjamin terjaganya keamanan mesin listrik.
2. Patuhi petunjuk pelumasan dan penggantian aksesoris.

## PERINGATAN KESELAMATAN MESIN POTONG PELAT

1. Pegang mesin kuat-kuat.
2. Tahan benda kerja dengan kuat.
3. Jauhkan tangan dari bagian yang berputar.
4. Tepian dan geram-geram benda kerja merupakan benda tajam. Gunakan sarung tangan. Anda juga dianjurkan untuk menggunakan sepatu beralas tebal untuk mencegah cedera.



3. Putar sedikit pemegang cetakan untuk memastikan bahwa pemegang cetakan tersebut terkunci secara positif di posisinya.
4. Kencangkan mur kunci untuk mengikat pemegang cetakan.

## Ketebalan pemotongan yang diizinkan

- **Gbr.2:** 1. Pengukur untuk memotong baja tahan karat: 1,2 mm (3/64") 2. Pengukur untuk memotong baja lunak: 1,6 mm (1/16") 3. Takik

Ketebalan bahan yang akan dipotong tergantung pada kekuatan tarik bahan itu sendiri. Alur pada pemegang cetakan berfungsi sebagai pengukur ketebalan untuk ketebalan pemotongan yang diizinkan. Jangan coba-coba untuk memotong bahan yang tidak pas dengan alur ini.

## Garis pemotongan

Takik di pemegang cetakan menunjukkan garis pemotongan. Lebarnya sama dengan lebar pemotongan. Sejajarkan takik terhadap garis pemotongan di benda kerja saat memotong.

## Kerja sakelar

- **Gbr.3:** 1. Tuas sakelar

### ⚠ PERHATIAN:

- Sebelum memasukkan steker, selalu periksa apakah tuas sakelar berfungsi dengan baik dan kembali ke posisi "OFF" saat bagian belakang tuas sakelar ditekan.

Untuk menyalakan, tekan bagian belakang tuas sakelar dan dorong ke depan. Lalu tekan bagian depan tuas sakelar untuk menguncinya.

Untuk memamatkannya, tekan bagian belakang tuas sakelar.

## PERAKITAN

### ⚠ PERHATIAN:

- Pastikan bahwa mesin dalam keadaan mati dan steker tercabut sebelum melakukan pekerjaan apa pun pada mesin.

## Melepas atau memasang penekan dan cetakan

- **Gbr.4:** 1. Pemegang cetakan 2. Cetakan 3. Baut 4. Kunci L

Selalu ganti penekan dan cetakan sebagai satu set. Untuk melepas penekan dan cetakan, kendurkan mur kunci menggunakan kunci pas. Lepas pemegang cetakan dari mesin. Gunakan kunci L untuk mengendurkan baut yang mengikat cetakan. Lepas cetakan dari pemegang cetakan. Gunakan kunci L untuk mengendurkan sekrup yang mengikat penekan. Cabut penekan dari pemegang penekan.

- **Gbr.5:** 1. Penekan 2. Pemegang penekan 3. Sekrup 4. Kunci L

Untuk memasang penekan dan cetakan, masukkan penekan ke dalam pemegang penekan sehingga takik di penekan menghadap ke sekrup. Kencangkan sekrup untuk mengikat penekan. Pasang cetakan di pemegang cetakan. Kencangkan baut untuk mengikat cetakan.

- **Gbr.6:** 1. Penekan 2. Takik

Lalu pasang pemegang cetakan pada mesin sehingga penekan dimasukkan melalui lubang di pemegang cetakan. Kencangkan mur kunci untuk mengikat pemegang cetakan. Setelah mengganti penekan dan cetakan, lumasi dengan minyak mesin dan jalankan mesin selama beberapa saat.

- **Gbr.7:** 1. Baut 2. Cetakan 3. Penekan 4. Pemegang cetakan

## PENGOPERASIAN

### Pelumasan awal

Lapisi garis pemotongan dengan minyak mesin untuk meningkatkan umur pakai penekan dan cetakan. Hal ini sangat penting bila memotong aluminium.

### Metode pemotongan

- **Gbr.8**

Pegang mesin sehingga kepala potong posisinya siku-siku (90°) terhadap benda kerja yang sedang dipotong. Gerakkan mesin secara perlahan sesuai arah pemotongan.

### Pemotongan

- **Gbr.9**

Pemotongan dapat dilakukan dengan terlebih dahulu membuat lubang bundar berdiameter lebih dari 21 mm di mana kepala potong dapat dimasukkan ke dalamnya.

### Memotong lembaran logam bergelombang dan berbentuk trapesium

- **Gbr.10:** 1. Dari pandangan atas 2. Memotong dengan besaran sudut terhadap alur 3. Memotong tegak lurus terhadap alur 4. Dari pandangan sisi 5. Lembaran logam bergelombang atau berbentuk trapesium

Setel posisi cetakan sehingga cetakan menghadap ke arah pemotongan baik saat memotong pada alur bersudut atau yang tegak lurus di lembaran logam bergelombang atau berbentuk trapesium. Selalu pegang badan mesin sejajar terhadap alur dengan kepala potong posisinya siku-siku (90°) terhadap permukaan pemotongan seperti ditunjukkan pada gambar.

- **Gbr.11:** 1. Dari pandangan sisi 2. Kepala pemotong harus siku-siku (90°) posisinya terhadap permukaan potong.

# PERAWATAN

## PERHATIAN:

- Selalu pastikan bahwa mesin dimatikan dan steker dicabut sebelum melakukan pemeriksaan atau perawatan.
- Jangan sekali-kali menggunakan benzena, tiner, alkohol, atau bahan sejenisnya. Penggunaan bahan tersebut dapat menyebabkan perubahan warna, perubahan bentuk, atau timbulnya retakan.

## Mengganti sikat karbon

### ► Gbr.12: 1. Tanda batas

Lepas dan periksa sikat karbon secara teratur. Lepas ketika aus sampai tanda batas. Jaga agar sikat karbon tetap bersih dan tidak bergeser dari penahan. Kedua sikat karbon harus diganti pada waktu yang sama.

Hanya gunakan sikat karbon yang sama.

Gunakan obeng untuk melepas tutup tempat sikat. Tarik keluar sikat karbon yang aus, masukkan yang baru dan pasang tutup tempat sikat.

### ► Gbr.13: 1. Tutup tempat sikat 2. Obeng

Untuk menjaga KEAMANAN dan KEANDALAN produk, perbaikan, perawatan lain, atau penyetelan harus dilakukan oleh Pusat Layanan Resmi Makita dan selalu gunakan suku cadang pengganti buatan Makita.

# AKSESORI PILIHAN

## PERHATIAN:

- Dianjurkan untuk menggunakan aksesoris atau perangkat tambahan ini dengan mesin Makita Anda yang ditentukan dalam petunjuk ini. Penggunaan aksesoris atau perangkat tambahan lain bisa menyebabkan risiko cedera pada manusia. Hanya gunakan aksesoris atau perangkat tambahan yang sesuai dengan tujuan yang telah ditetapkan.

Jika Anda memerlukan bantuan lebih terperinci berkenaan dengan aksesoris ini, tanyakan pada Pusat Layanan Makita terdekat.

- Cetakan
- Penekan
- Kunci L
- Kunci pas 32

**CATATAN:** Beberapa item dalam daftar tersebut mungkin sudah termasuk dalam paket mesin sebagai aksesoris standar. Hal tersebut dapat berbeda dari satu negara ke negara lainnya.

## SPEKIFIKASI

Model		JN1601
Kapasiti maksimum pemotongan	Keluli sehingga 400 N/mm <sup>2</sup>	1.6 mm / 16 ga
	Keluli sehingga 600 N/mm <sup>2</sup>	1.2 mm / 18 ga
	Keluli sehingga 800 N/mm <sup>2</sup>	0.8 mm / 22 ga
	Aluminium sehingga 200 N/mm <sup>2</sup>	2.5 mm / 13 ga
Radius pemotongan minimum	Tepi luar	50 mm
	Tepi dalam	45 mm
Ayunan per minit (min <sup>-1</sup> )		2,200
Panjang keseluruhan		261 mm
Berat bersih		1.6 kg
Kelas keselamatan		□/II

- Disebabkan program penyelidikan dan pembangunan kami yang berterusan, spesifikasi yang terkandung di dalam ini adalah tertakluk kepada perubahan tanpa notis.
- Spesifikasi mungkin berbeza mengikut negara.
- Berat mengikut Prosedur EPTA 01/2014

### Simbol

Berikut menunjukkan simbol-simbol yang boleh digunakan untuk alat ini. Pastikan anda memahami maksudnya sebelum menggunakan.



Baca manual arahan.



PENEBATAN BERGANDA



Hanya untuk negara-negara Kesatuan Eropah  
 Jangan buang peralatan elektrik bersama bahan sisa rumah! Dalam mematuhi Arahan Eropah mengenai Sisa Peralatan Elektrik dan Elektronik serta pelaksanaannya mengikut undang-undang negara, peralatan elektrik yang telah mencapai akhir hayatnya mesti dikumpul secara berasingan dan dikembalikan ke kemudahan kitar semula yang bersesuaian dengan alam sekitar.

### Tujuan penggunaan

Alat ini bertujuan untuk memotong kepingan keluli dan kepingan keluli tahan karat.

### Bekalan kuasa

Alat ini perlu disambungkan hanya kepada bekalan kuasa dengan voltan yang sama seperti yang ditunjukkan pada papan nama, dan hanya boleh dikendalikan pada bekalan AC fasa tunggal. Ia mempunyai penebatan berganda dan oleh itu, ia juga boleh digunakan pada soket tanpa wayar bumi.

### Amaran keselamatan umum alat kuasa

**⚠️AMARAN:** Baca semua amaran keselamatan, arahan, ilustrasi dan spesifikasi yang disediakan dengan alat kuasa ini. Kegagalan mengikut semua arahan yang disenaraikan di bawah boleh menyebabkan kejutan elektrik, kebakaran dan/atau kecederaan serius.

### Simpan semua amaran dan arahan untuk rujukan masa depan.

Istilah "alat kuasa" dalam amaran merujuk kepada alat kuasa yang menggunakan tenaga elektrik (dengan kord) atau alat kuasa yang menggunakan bateri (tanpa kord).

#### Keselamatan kawasan kerja

1. **Pastikan kawasan kerja bersih dan diterangi dengan baik.** Kawasan berselerak atau gelap mengundang kemalangan.
2. **Jangan kendalikan alat kuasa dalam keadaan yang mudah meletup, seperti dalam kehadiran cecair, gas atau habuk yang mudah terbakar.** Alat kuasa menghasilkan percikan api yang boleh menyalakan debu atau wasap.
3. **Jauhkan kanak-kanak dan orang ramai semasa mengendalikan alat kuasa.** Gangguan boleh menyebabkan anda hilang kawalan.

#### Keselamatan elektrik

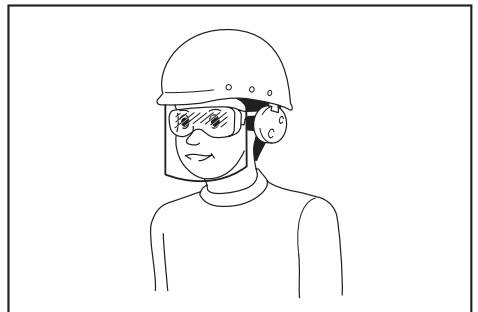
1. **Palam alat kuasa mesti sepadan dengan soket.** Jangan ubah suai palam dalam apa cara sekalipun. Jangan gunakan sebarang palam penyesuai dengan alat kuasa terbumi. Palam yang tidak diubah suai dan soket yang sepadan akan mengurangkan risiko kejutan elektrik.

2. **Elakkan sentuhan badan dengan permukaan terbumi, seperti paip, radiator, dapur dan peti sejuk.** Terdapat peningkatan risiko kejutan elektrik jika elektrik terbumi terkena badan anda.
3. **Jangan biarkan alat kuasa terkena hujan atau basah.** Air yang memasuki alat kuasa akan meningkatkan risiko kejutan elektrik.
4. **Jangan salah gunakan kord.** Jangan gunakan kord untuk membawa, menarik atau mencabut palam alat kuasa. Jauhkan kord dari haba, minyak, bucu tajam atau bahagian yang bergerak. Kord yang rosak atau tersimpul meningkatkan risiko kejutan elektrik.
5. **Semasa mengendalikan alat kuasa di luar, gunakan kord sambungan yang bersesuaian untuk kegunaan luar.** Penggunaan kord yang sesuai untuk kegunaan luar mengurangkan risiko kejutan elektrik.
6. **Sekiranya pengendalian alat kuasa di lokasi lembap tidak dapat dielakkan, gunakan bekalan peranti arus sisa (RCD) yang dilindungi.** Penggunaan RCD mengurangkan risiko kejutan elektrik.
7. **Penggunaan bekalan kuasa melalui RCD dengan arus sisa yang bernilai 30 mA atau kurang sentiasa disyorkan.**
8. **Alat kuasa boleh menghasilkan medan elektromagnetik (EMF) yang tidak berbahaya kepada pengguna.** Walau bagaimanapun, pengguna perentak jantung atau peranti perubatan yang serupa harus menghubungi pembuat peranti mereka dan/atau doktor untuk nasihat sebelum mengendalikan alat kuasa ini.
9. **Jangan sentuh palam kuasa dengan tangan yang basah.**
10. **Jika kord rosak, minta ia diganti oleh pengilang atau ejennya bagi mengelakkan bahaya keselamatan.**

#### Keselamatan diri

1. **Sentiasa berwaspada, perhatikan apa yang anda lakukan dan guna akal budi semasa mengendalikan alat kuasa.** Jangan gunakan alat kuasa semasa anda letih atau di bawah pengaruh dadah, alkohol atau ubat. Kelekaan seketika semasa mengendalikan alat kuasa boleh menyebabkan kecederaan diri yang serius.
2. **Gunakan peralatan pelindung diri.** Sentiasa pakai pelindung mata. Peralatan pelindung seperti topeng debu, kasut keselamatan tak mudah tergelincir, topi keselamatan atau pelindung pendengaran yang digunakan untuk keadaan yang sesuai akan mengurangkan kecederaan diri.
3. **Elakkan permulaan yang tidak disengajakan.** Pastikan suis ditutup sebelum menyambung kepada sumber kuasa dan/atau pek bateri, semasa mengangkat atau membawa alat. Membawa alat kuasa dengan jari anda pada suis atau mentenagakan alat kuasa dengan suis pada kedudukan hidup mengundang kemalangan.
4. **Alihkan sebarang kunci atau sepana pelaras sebelum menghidupkan alat kuasa.** Sepana atau kunci yang ditinggalkan pada bahagian berputar alat kuasa boleh menyebabkan kecederaan diri.

5. **Jangan lampau jangkau.** Jaga pijakan dan keseimbangan yang betul pada setiap masa. Ini membolehkan kawalan alat kuasa yang lebih baik dalam situasi yang tidak dijangka.
6. **Berpakaian dengan betul.** Jangan pakai pakaian yang longgar atau barang kemas. Jauhkan rambut dan pakaian anda dari bahagian yang bergerak. Pakaian longgar, barang kemas atau rambut yang panjang boleh terperangkap dalam bahagian yang bergerak.
7. **Jika peranti disediakan untuk sambungan kemudahan pengekstrakan dan pengumpulan habuk, pastikan ia disambung dan digunakan dengan betul.** Penggunaan pengumpulan habuk boleh mengurangkan bahaya berkaitan habuk.
8. **Jangan biarkan kebiasaan daripada kekerapan penggunaan alat membuatkan anda berpuas hati dan mengabaikan prinsip keselamatan alat.** Kecuaian boleh menyebabkan kecederaan serius dalam sekelip mata.
9. **Sentiasa pakai kaca mata pelindung untuk melindungi mata anda daripada kecederaan apabila menggunakan alat kuasa.** Kaca mata mestilah mematuhi ANSI Z87.1 di AS, EN 166 di Eropah, atau AS/NZS 1336 di Australia/New Zealand. Di Australia/New Zealand, undang-undang mengarahkan untuk memakai pelindung muka bagi melindungi muka anda, juga.



**Menjadi tanggungjawab majikan untuk menguatkuasa penggunaan peralatan perlindungan keselamatan yang bersesuaian oleh pengendali alat dan oleh orang lain dalam kawasan bekerja semasa.**

#### Penggunaan dan penjagaan alat kuasa

1. **Jangan gunakan alat kuasa dengan kasar.** Gunakan alat kuasa yang betul untuk penggunaan anda. Alat kuasa yang betul akan melakukan tugas dengan lebih baik dan lebih selamat pada kadar mana ia direka cipta.
2. **Jangan gunakan alat kuasa jika suis tidak berfungsi untuk menghidupkan dan mematikkannya.** Alat kuasa yang tidak dapat dikawal dengan suis adalah berbahaya dan mesti dibaiki.

3. Cabut palam dari sumber kuasa dan/atau keluarkan pek bateri, jika boleh ditanggalkan, dari alat kuasa sebelum membuat sebarang pelarasan, menukar aksesori, atau menyimpan alat kuasa. Langkah-langkah keselamatan pencegahan sedemikian mengurangkan risiko memulakan alat kuasa secara tidak sengaja.
4. Simpan alat kuasa yang tidak digunakan jauh dari jangkauan kanak-kanak dan jangan biarkan orang yang tidak biasa dengan alat kuasa atau arahan ini untuk mengendalikan alat kuasa. Alat kuasa adalah berbahaya di tangan pengguna yang tidak terlatih.
5. Menyelenggara alat kuasa dan aksesori. Periksa salah jajaran atau ikatan pada bahagian yang bergerak, bahagian yang pecah dan apa-apa keadaan lain yang boleh menjejaskan operasi alat kuasa. Jika rosak,baiki alat kuasa sebelum digunakan. Kebanyakan kemalangan adalah disebabkan oleh alat kuasa yang tidak dijaga dengan baik.
6. Pastikan alat pemotong tajam dan bersih. Alat pemotong yang dijaga dengan betul dengan hujung pemotong yang tajam mempunyai kemungkinan yang rendah untuk terikat dan lebih mudah dikendalikan.
7. Gunakan alat kuasa, aksesori dan alat bit dan sebagainya mengikut arahan ini dengan mengambil kira keadaan kerja dan kerja yang perlu dilakukan. Penggunaan alat kuasa untuk operasi yang berbeza dari yang dimaksudkan boleh menyebabkan keadaan berbahaya.
8. Pastikan pemegang dan permukaan pegangan kering, bersih dan bebas dari minyak dan gris. Pemegang dan permukaan pegangan yang licin tidak membolehkan pengendalian dan kawalan selamat bagi alat dalam situasi yang tidak dijangka.
9. Apabila menggunakan alat, jangan pakai sarung tangan kerja kain yang mungkin boleh kusut. Kekusutan sarung tangan kerja kain pada bahagian yang bergerak boleh menyebabkan kecederaan diri.
6. Jangan tinggalkan alat yang sedang berjalan. Kendalikan alat hanya apabila dipegang.
7. Sentiasa pastikan anda mempunyai tapak berpijak yang kukuh. Pastikan tiada sesiapa di bawah apabila menggunakan alat di lokasi yang tinggi.
8. Jangan sentuh penebuk, pengulir luar atau bahan kerja dengan serta-merta selepas operasi; ia mungkin sangat panas dan boleh melecurkan kulit anda.
9. Elakkan memotong wayar elektrik. Ia boleh menyebabkan kemalangan serius dengan kejutan elektrik.

## SIMPAN ARAHAN INI.

**⚠️AMARAN:** JANGAN biarkan keselesaan atau kebiasaan dengan produk (daripada penggunaan berulang) menggantikan pematuhan ketat terhadap peraturan keselamatan untuk produk yang ditetapkan. **SALAH GUNA** atau kegagalan mematuhi peraturan-peraturan keselamatan yang dinyatakan dalam manual arahan ini boleh menyebabkan kecederaan diri yang serius.

## KETERANGAN FUNGSI

### ⚠️PERHATIAN:

- Sentiasa pastikan alat dimatikan dan palamnya dicabut sebelum menyelaras atau menyemak fungsi pada alat.

## Menukar kedudukan pengulir luar

- **Rajah1:** 1. Pengulir luar 2. Pemegang pengulir luar 3. Nat kunci 4. Perengkuh

Kedudukan pengulir luar boleh ditukar 360°. Untuk menukarnya, teruskan seperti berikut.

1. Longgarkan nat kunci dengan perengkuh yang disediakan.
2. Tarik pemegang pengulir luar sedikit dan pusingkan ia ke kedudukan yang dikehendaki untuk operasi.
3. Ketatkan nat kunci untuk mengukuhkan pemegang pengulir luar dalam kedudukan yang dikehendaki.

Terdapat empat hentian positif pada 90° setiap satu: 0°, 90° kiri dan kanan dan 180°. Untuk meletakkan pengulir luar di mana-mana hentian positif ini:

1. Longgarkan nat kunci dengan perengkuh yang disediakan.
2. Tarik pemegang pengulir luar sedikit dan tekan perlahan sambil memusingkannya ke kedudukan yang dikehendaki. Pemegang pengulir luar akan terkunci pada salah satu kedudukan hentian positif yang dikehendaki.
3. Pusingkan pemegang pengulir luar sedikit untuk memastikan ia terkunci secara positif.
4. Ketatkan nat kunci untuk mengukuhkan pemegang pengulir luar.

### Servis

1. Pastikan alat kuasa anda diservis oleh orang yang berkelayakan dengan hanya menggunakan alat ganti yang sama. Ini akan memastikan keselamatan alat kuasa dapat dikekalkan.
2. Ikut arahan untuk melincir dan menukar aksesori.

## AMARAN KESELAMATAN PENERIP LOGAM

1. Pegang alat dengan kukuh.
2. Kukuhkan bahan kerja dengan kuat.
3. Jauhkan tangan dari bahagian bergerak.
4. Bahagian tepi dan serpihan bahan kerja adalah tajam. Pakai sarung tangan. Disyorkan juga agar anda memakai kasut yang bertapak tebal untuk mengelakkan kecederaan.
5. Jangan letakkan alat pada serpihan bahan kerja. Jika tidak, ia boleh menyebabkan kerosakan dan masalah pada alat.

## Ketebalan pemotongan yang dibenarkan

- **Rajah2:** 1. Tolok untuk memotong keluli tahan karat: 1.2 mm (3/64") 2. Tolok untuk memotong keluli lembut: 1.6 mm (1/16") 3. Takuk

Ketebalan bahan yang akan dipotong bergantung kepada kekuatan tegangan bahan itu sendiri. Alur pada pemegang pengulir luar bertindak sebagai tolak ketebalan bagi ketebalan potongan yang dibenarkan. Jangan cuba memotong sebarang bahan yang tidak akan muat dalam alur ini.

## Garisan pemotongan

Takuk pada pemegang pengulir luar menandakan garisan pemotongan anda. Lebarnya sama dengan lebar pemotongan. Jajarkan takuk dengan garisan pemotongan pada bahan kerja apabila memotong.

## Tindakan suis

- **Rajah3:** 1. Tuil suis

### ⚠️ **PERHATIAN:**

- Sebelum memasang alat, sentiasa periksa untuk melihat suis bergerak dengan betul dan kembali ke posisi "OFF" apabila belakang tuil suis terbenam.

Untuk menghidupkan, tekan belakang tuil suis dan tolak ke hadapan. Kemudian tekankan bahagian depan tuil suis untuk menguncinya.

Untuk mematikan, tekan belakang tuil suis.

## PEMASANGAN

### ⚠️ **PERHATIAN:**

- Sentiasa pastikan alat dimatikan dan palamnya dicabut sebelum menjalankan apa-apa kerja pada alat.

## Menanggalkan atau memasang penebuk dan pengulir luar

- **Rajah4:** 1. Pemegang pengulir luar 2. Pengulir luar 3. Bolt 4. Kunci allen

Sentiasa gantikan penebuk dan pengulir luar sebagai satu set. Untuk menanggalkan penebuk dan pengulir luar, keluarkan nat kunci dengan perengkuh. Tanggalkan pemegang pengulir luar dari alat. Gunakan kunci allen untuk melonggarkan bolt yang mengukuhkan pengulir luar. Tanggalkan pengulir luar dari pemegang pengulir luar. Gunakan kunci allen untuk melonggarkan skru yang mengukuhkan penebuk. Tarik penebuk keluar dari pemegang penebuk.

- **Rajah5:** 1. Penebuk 2. Pemegang penebuk 3. Skru 4. Kunci allen

Untuk memasang penebuk dan pengulir luar, masukkan penebuk ke dalam pemegang penebuk supaya takuk dalam penebuk menghadap ke arah skru. Ketatkan skru untuk mengukuhkan penebuk. Pasangkan pengulir luar pada pemegang pengulir luar. Ketatkan bolt untuk mengukuhkan pengulir luar.

- **Rajah6:** 1. Penebuk 2. Takuk

Kemudian pasang pemegang pengulir luar pada alat itu supaya penebuk dimasukkan melalui lubang dalam pemegang pengulir luar. Ketatkan nat kunci untuk mengukuhkan pemegang pengulir luar. Selepas menggantikan penebuk dan pengulir luar, lincirkan ia dengan minyak mesin dan jalankan alat tersebut untuk seketika.

- **Rajah7:** 1. Bolt 2. Pengulir luar 3. Penebuk 4. Pemegang pengulir luar

## OPERASI

### Prapelinciran

Sadur garisan pemotongan dengan minyak mesin untuk meningkatkan hayat perkhidmatan penebuk dan pengulir luar. Ini sangat penting apabila memotong aluminium.

### Kaedah pemotongan

- **Rajah8**

Pegang alat supaya kepala pemotong berada pada sudut tegak (90°) pada bahan kerja yang sedang dipotong. Gerakkan alat perlahan-lahan ke arah pemotongan.

### Potongan

- **Rajah9**

Potongan boleh dilakukan dengan menebuk dahulu lubang berdiameter lebih daripada 21 mm yang kepala pemotong dapat dimasukkan ke dalamnya.

### Memotong kepingan logam berombak atau trapezoid

- **Rajah10:** 1. Dari pandangan atas 2. Memotong pada satu sudut ke alur 3. Memotong serenjang ke alur 4. Dari pandangan sisi 5. Kepingan logam berombak atau trapezoid

Tetapkan kedudukan pengulir luar supaya pengulir luar menghadap ke arah pemotongan sama ada ketika memotong pada satu sudut atau serenjang ke alur pada kepingan logam berombak atau trapezoid.

Sentiasa pegang badan alat selari dengan alur dengan kepala pemotong pada sudut tegak (90°) pada permukaan pemotongan seperti ditunjukkan dalam rajah.

- **Rajah11:** 1. Dari pandangan sisi 2. Kepala pemotong hendaklah pada sudut tegak (90°) pada permukaan pemotongan.

# PENYELENGGARAAN

## PERHATIAN:

- Sentiasa pastikan alat dimatikan dan palamnya dicabut sebelum cuba untuk melakukan pemeriksaan atau penyelenggaraan.
- Jangan gunakan gasolin, benzin, pencair, alkohol atau bahan yang serupa. Ia boleh menyebabkan perubahan warna, bentuk atau keretakan.

## Menggantikan berus karbon

### ► Rajah12: 1. Tanda had

Keluarkan dan periksa berus karbon dengan kerap. Gantikan ia apabila ia telah haus sehingga tanda had. Pastikan berus karbon sentiasa bersih dan bebas untuk dimasukkan ke dalam pemegang. Kedua-dua berus karbon harus diganti pada masa yang sama. Gunakan hanya berus karbon yang serupa.

Gunakan pemutar skru untuk menanggalkan penutup pemegang berus. Keluarkan berus karbon yang telah haus, masukkan berus baharu dan kukuhkan penutup pemegang berus.

### ► Rajah13: 1. Penutup pemegang berus 2. Pemutar skru

Untuk mengekalkan KESELAMATAN dan KEBOLEHPERCAYAAN produk, pembaikan, sebarang penyelenggaraan atau penyesuaian lain perlu dilakukan oleh Pusat Servis Makita yang Diiktiraf, sentiasa gunakan alat ganti Makita.

# AKSESORI PILIHAN

## PERHATIAN:

- Aksesori atau alat tambahan ini adalah disyorkan untuk digunakan dengan alat Makita anda yang dinyatakan dalam manual ini. Penggunaan mana-mana aksesori atau alat tambahan lain mungkin mengakibatkan risiko kecederaan kepada individu. Hanya gunakan aksesori atau penyambung untuk tujuan yang dinyatakannya.

Jika anda memerlukan sebarang bantuan untuk maklumat lebih lanjut mengenai aksesori ini, tanya Pusat Servis Makita tempatan anda.

- Pengulir luar
- Penebuk
- Kunci allen
- Perengkuh 32

**NOTA:** Beberapa item dalam senarai mungkin disertakan dalam pakej alat sebagai aksesori standard. Item mungkin berbeza mengikut negara.

## THÔNG SỐ KỸ THUẬT

Kiểu		JN1601
Công suất cắt tối đa	Thép lên đến 400 N/mm <sup>2</sup>	1,6 mm / 16 ga
	Thép lên đến 600 N/mm <sup>2</sup>	1,2 mm / 18 ga
	Thép lên đến 800 N/mm <sup>2</sup>	0,8 mm / 22 ga
	Nhôm lên đến 200 N/mm <sup>2</sup>	2,5 mm / 13 ga
Bán kính cắt tối thiểu	Mép ngoài	50 mm
	Mép trong	45 mm
Số nhát mỗi phút (min <sup>-1</sup> )		2.200
Chiều dài tổng thể		261 mm
Khối lượng tịnh		1,6 kg
Cấp an toàn		□/II

- Do chương trình nghiên cứu và phát triển liên tục của chúng tôi nên các thông số kỹ thuật trong đây có thể thay đổi mà không cần thông báo trước.
- Các thông số kỹ thuật có thể thay đổi tùy theo từng quốc gia.
- Khối lượng tùy theo Quy trình EPTA tháng 01/2014

### Ký hiệu

Phần dưới đây cho biết các ký hiệu có thể được dùng cho thiết bị. Đảm bảo rằng bạn hiểu rõ ý nghĩa của các ký hiệu này trước khi sử dụng.



Đọc tài liệu hướng dẫn.



CÁCH ĐIỆN CẤP 2



Chỉ dành cho các quốc gia EU  
Không thải bỏ thiết bị điện cùng với các chất thải sinh hoạt! Để tuân thủ Chỉ thị của Châu Âu về thiết bị điện và điện tử thải bỏ, và thi hành những chỉ thị này phù hợp với luật lệ quốc gia, thiết bị điện tử không còn sử dụng được nữa phải được thu nhận riêng và đưa trở lại một cơ sở tái chế tương thích với môi trường.

### Mục đích sử dụng

Dụng cụ được dùng để cắt thép tấm và thép tấm không rỉ.

### Nguồn cấp điện

Dụng cụ này chỉ được nối với nguồn cấp điện có điện áp giống như đã chỉ ra trên biển tên và chỉ có thể được vận hành trên nguồn điện AC đơn pha. Chúng được cách điện hai lớp và do đó cũng có thể được sử dụng từ các ổ cắm điện không có dây tiếp đất.

### Cảnh báo an toàn chung dành cho dụng cụ máy

**⚠ CẢNH BÁO:** Xin đọc tất cả các cảnh báo an toàn, hướng dẫn, minh họa và thông số kỹ thuật đi kèm với dụng cụ máy này. Việc không tuân theo các hướng dẫn được liệt kê dưới đây có thể dẫn đến điện giật, hỏa hoạn và/hoặc thương tích nghiêm trọng.

### Lưu giữ tất cả cảnh báo và hướng dẫn để tham khảo sau này.

Thuật ngữ "dụng cụ máy" trong các cảnh báo đề cập đến dụng cụ máy (có dây) được vận hành bằng nguồn điện chính hoặc dụng cụ máy (không dây) được vận hành bằng pin của bạn.

#### An toàn tại nơi làm việc

1. **Giữ nơi làm việc sạch sẽ và có đủ ánh sáng.**  
Nơi làm việc bừa bộn hoặc tối thường dễ gây ra tai nạn.
2. **Không vận hành dụng cụ máy trong môi trường cháy nổ, ví dụ như môi trường có sự hiện diện của các chất lỏng, khí hoặc bụi dễ cháy.** Các dụng cụ máy tạo tia lửa điện có thể làm bụi hoặc khí bốc cháy.
3. **Giữ trẻ em và người ngoài tránh xa nơi làm việc khi đang vận hành dụng cụ máy.** Sự xao lãng có thể khiến bạn mất khả năng kiểm soát.

#### An toàn về Điện

1. **Phích cắm của dụng cụ máy phải khớp với ổ cắm. Không được sửa đổi phích cắm theo bất kỳ cách nào. Không sử dụng bất kỳ phích chuyển đổi nào với các dụng cụ máy được nối đất (tiếp đất).** Các phích cắm còn nguyên vẹn và ổ cắm phù hợp sẽ giảm nguy cơ điện giật.

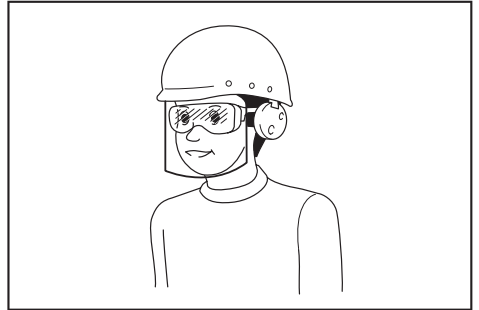


2. **Tránh để cơ thể tiếp xúc với các bề mặt nổi đất hoặc tiếp đất như đường ống, bộ tản nhiệt, bể ga và tủ lạnh.** Nguy cơ bị điện giật sẽ tăng lên nếu cơ thể bạn được nối đất hoặc tiếp đất.
3. **Không để dụng cụ máy tiếp xúc với mưa hoặc trong điều kiện ẩm ướt.** Nước lọt vào dụng cụ máy sẽ làm tăng nguy cơ điện giật.
4. **Không lạm dụng dây điện. Không được phép sử dụng dây để mang, kéo hoặc tháo phích cắm dụng cụ máy. Giữ dây tránh xa nguồn nhiệt, dầu, các mép sắc hoặc các bộ phận chuyển động.** Dây bị hỏng hoặc bị rối sẽ làm tăng nguy cơ điện giật.
5. **Khi vận hành dụng cụ máy ngoài trời, hãy sử dụng dây kéo dài phù hợp cho việc sử dụng ngoài trời.** Việc dùng dây phù hợp cho việc sử dụng ngoài trời sẽ giảm nguy cơ điện giật.
6. **Nếu bắt buộc phải vận hành dụng cụ máy ở nơi ẩm ướt, hãy sử dụng nguồn cấp điện được bảo vệ bằng thiết bị ngắt dòng điện rò (RCD).** Việc sử dụng RCD sẽ làm giảm nguy cơ điện giật.
7. **Chúng tôi luôn khuyến bạn sử dụng nguồn cấp điện qua thiết bị RCD có thể ngắt dòng điện rò định mức 30 mA hoặc thấp hơn.**
8. **Các dụng cụ máy có thể tạo ra từ trường điện (EMF) có hại cho người dùng.** Tuy nhiên, người dùng máy trợ tim và những thiết bị y tế tương tự khác nên liên hệ với nhà sản xuất thiết bị và/hoặc bác sỹ để được tư vấn trước khi vận hành dụng cụ này.
9. **Không chạm vào đầu cắm điện bằng tay ướt.**
10. **Nếu dây bị hỏng, hãy nhờ nhà sản xuất hoặc đại lý thay dây mới để tránh nguy hiểm về an toàn.**

#### An toàn Cá nhân

1. **Luôn tỉnh táo, quan sát những việc bạn đang làm và sử dụng những phán đoán theo kinh nghiệm khi vận hành dụng cụ máy. Không sử dụng dụng cụ máy khi bạn đang mệt mỏi hoặc chịu ảnh hưởng của ma túy, rượu hay thuốc.** Chỉ một khoảnh khắc không tập trung khi đang vận hành dụng cụ máy cũng có thể dẫn đến thương tích cá nhân nghiêm trọng.
2. **Sử dụng thiết bị bảo hộ cá nhân. Luôn đeo thiết bị bảo vệ mắt.** Các thiết bị bảo hộ như mặt nạ chống bụi, giày an toàn chống trượt, mũ bảo hộ hay thiết bị bảo vệ thính giác được sử dụng trong các điều kiện thích hợp sẽ giúp giảm thương tích cá nhân.
3. **Tránh vô tình khởi động dụng cụ máy. Đảm bảo công tắc ở vị trí off (tắt) trước khi nối nguồn điện và/hoặc bộ pin, cắm hoặc di chuyển dụng cụ máy.** Việc di chuyển dụng cụ máy khi đang đặt ngón tay ở vị trí công tắc hoặc cấp điện cho dụng cụ máy đang bật thường dễ gây ra tai nạn.
4. **Tháo tắt cả các khóa hoặc cờ lê điều chỉnh trước khi bật dụng cụ máy.** Việc cờ lê hoặc khóa vẫn còn gắn vào bộ phận quay của dụng cụ máy có thể dẫn đến thương tích cá nhân.
5. **Không với quá cao. Luôn giữ thăng bằng tốt và có chỗ để chân phù hợp.** Điều này cho phép điều khiển dụng cụ máy tốt hơn trong những tình huống bất ngờ.

6. **Ăn mặc phù hợp. Không mặc quần áo rộng hay đeo đồ trang sức. Giữ tóc và quần áo tránh xa các bộ phận chuyển động.** Quần áo rộng, đồ trang sức hay tóc dài có thể mắc vào các bộ phận chuyển động.
7. **Nếu các thiết bị được cung cấp để kết nối các thiết bị thu gom và hút bụi, hãy đảm bảo chúng được kết nối và sử dụng hợp lý.** Việc sử dụng thiết bị thu gom bụi có thể làm giảm những mối nguy hiểm liên quan đến bụi.
8. **Không vì quen thuộc do thường xuyên sử dụng các dụng cụ mà cho phép bạn trở nên tự mãn và bỏ qua các nguyên tắc an toàn dụng cụ.** Một hành động bất cẩn có thể gây ra thương tích nghiêm trọng trong một phần của một giây.
9. **Luôn luôn mang kính bảo hộ để bảo vệ mắt khỏi bị thương khi đang sử dụng các dụng cụ máy. Kính bảo hộ phải tuân thủ ANSI Z87.1 ở Mỹ, EN 166 ở Châu Âu, hoặc AS/NZS 1336 ở Úc/New Zealand. Tại Úc/New Zealand, theo luật pháp, bạn cũng phải mang mặt nạ che mặt để bảo vệ mặt.**



Trách nhiệm của chủ lao động là bắt buộc người vận hành dụng cụ và những người khác trong khu vực làm việc cạnh đó phải sử dụng các thiết bị bảo hộ an toàn thích hợp.

#### Sử dụng và bảo quản dụng cụ máy

1. **Không dùng lực đối với dụng cụ máy. Sử dụng đúng dụng cụ máy cho công việc của bạn.** Sử dụng đúng dụng cụ máy sẽ giúp thực hiện công việc tốt hơn và an toàn hơn theo giá trị định mức được thiết kế của dụng cụ máy đó.
2. **Không sử dụng dụng cụ máy nếu công tắc không bật và tắt được dụng cụ máy đó.** Mọi dụng cụ máy không thể điều khiển được bằng công tắc đều rất nguy hiểm và phải được sửa chữa.
3. **Rút phích cắm ra khỏi nguồn điện và/hoặc tháo kết nối bộ pin khỏi dụng cụ máy, nếu có thể tháo rời trước khi thực hiện bất kỳ công việc điều chỉnh, thay đổi phụ tùng hay cất giữ dụng cụ máy nào.** Những biện pháp an toàn phòng ngừa này sẽ giảm nguy cơ vô tình khởi động dụng cụ máy.
4. **Cất giữ các dụng cụ máy không sử dụng ngoài tầm với của trẻ em và không cho bất kỳ người nào không có hiểu biết về dụng cụ máy hoặc các hướng dẫn này vận hành dụng cụ máy.** Dụng cụ máy sẽ rất nguy hiểm nếu được sử dụng bởi những người dùng chưa qua đào tạo.

- Bảo dưỡng dụng cụ máy và các phụ kiện.** Kiểm tra tình trạng lệch trục hoặc bó kẹt của các bộ phận chuyển động, hiện tượng nứt vỡ của các bộ phận và mọi tình trạng khác mà có thể ảnh hưởng đến hoạt động của dụng cụ máy. Nếu có hỏng hóc, hãy sửa chữa dụng cụ máy trước khi sử dụng. Nhiều tai nạn xảy ra là do không bảo quản tốt dụng cụ máy.
- Luôn giữ cho dụng cụ cắt được sắc bén và sạch sẽ.** Những dụng cụ cắt được bảo quản tốt có mép cắt sắc sẽ ít bị kẹt hơn và dễ điều khiển hơn.
- Sử dụng dụng cụ máy, phụ tùng và đầu dụng cụ cắt, v.v... theo các hướng dẫn này, có tính đến điều kiện làm việc và công việc được thực hiện.** Việc sử dụng dụng cụ máy cho các công việc khác với công việc dự định có thể gây nguy hiểm.
- Giữ tay cầm và bề mặt tay cầm khô, sạch, không dính dầu và mỡ.** Tay cầm trơn trượt và bề mặt tay cầm không cho phép xử lý an toàn và kiểm soát dụng cụ trong các tình huống bất ngờ.
- Khi sử dụng dụng cụ, không được đi giày tay lao động bằng vải, có thể bị vướng.** Việc giăng tay lao động bằng vải vướng vào các bộ phận chuyển động có thể gây ra thương tích cá nhân.

#### Bảo dưỡng

- Đề nghị nhân viên sửa chữa đủ trình độ bảo dưỡng dụng cụ máy của bạn và chỉ sử dụng các bộ phận thay thế đồng nhất.** Việc này sẽ đảm bảo duy trì được độ an toàn của dụng cụ máy.
- Tuân theo hướng dẫn dành cho việc bôi trơn và thay phụ tùng.**

### CẢNH BÁO AN TOÀN MÁY CẮT TÊN CẦM TAY HOẠT ĐỘNG BẰNG ĐỘNG CƠ ĐIỆN

- Giữ chặt dụng cụ.**
- Cố định chặt phôi gia công.**
- Giữ tay tránh xa các bộ phận chuyển động.**
- Các mép và mặt vụn của phôi gia công thường sắc cạnh.** Hãy mang găng tay. Chúng tôi khuyến cáo bạn nên mang giày có phần đế dày để phòng ngừa thương tích.
- Không được đặt dụng cụ lên các mặt vụn của phôi gia công.** Nếu không chúng có thể gây hư hỏng và làm trục trượt dụng cụ.
- Không để mặc dụng cụ chạy.** Chỉ vận hành dụng cụ khi cầm trên tay.
- Luôn đảm bảo rằng bạn có chỗ tựa chân vững chắc.**  
Đảm bảo không có ai ở bên dưới khi sử dụng dụng cụ ở những vị trí trên cao.
- Không được chạm vào thanh đột, mũi đột hay phôi gia công ngay sau khi vận hành; chúng có thể rất nóng và có thể gây bỏng da.**
- Tránh cắt nhầm các dây điện.** Điều này có thể gây ra tai nạn nghiêm trọng do điện giật.

### LƯU GIỮ CÁC HƯỚNG DẪN NÀY.

**⚠CẢNH BÁO: KHÔNG** vì đã thoải mái hay quen thuộc với sản phẩm (có được do sử dụng nhiều lần) mà không tuân thủ nghiêm ngặt các quy định về an toàn dành cho sản phẩm này. **VIỆC DÙNG SAI** hoặc không tuân theo các quy định về an toàn được nêu trong tài liệu hướng dẫn này có thể dẫn đến thương tích cá nhân nghiêm trọng.

## MÔ TẢ CHỨC NĂNG

### ⚠THẬN TRỌNG:

- Luôn đảm bảo rằng dụng cụ đã được tắt và rút phích cắm trước khi điều chỉnh hoặc kiểm tra chức năng trên dụng cụ.

## Thay đổi vị trí mũi đột

- **Hình1:** 1. Mũi đột 2. Để giữ mũi đột 3. Đai ốc khóa 4. Cờ lê

Vị trí mũi đột có thể thay đổi 360°. Để thay đổi, hãy tiến hành như sau.

- Nới lỏng đai ốc khóa bằng cờ lê đi kèm.
- Kéo nhẹ để giữ mũi đột và xoay nó đến vị trí mong muốn để vận hành.
- Vặn chặt đai ốc khóa để cố định để giữ mũi đột ở vị trí mong muốn.

Có bốn vị trí dừng theo chiều thuận ở mỗi góc 90°: 0°, 90° bên trái, bên phải và 180°. Để định vị mũi đột đến bất cứ vị trí dừng theo chiều thuận:

- Nới lỏng đai ốc khóa bằng cờ lê đi kèm.
- Kéo nhẹ để giữ mũi đột và nhấn nhẹ trong lúc xoay nó đến vị trí mong muốn. Để giữ mũi đột sẽ khóa vào một trong các vị trí dừng như bạn muốn.
- Xoay nhẹ để giữ mũi đột để đảm bảo rằng nó đã được khóa hoàn toàn vào vị trí.
- Vặn chặt đai ốc khóa để cố định để giữ mũi đột.

## Độ dày cắt cho phép

- **Hình2:** 1. Cờ để cắt thép không rỉ: 1,2 mm (3/64")  
2. Cờ để cắt thép mềm: 1,6 mm (1/16")  
3. Rãnh khía

Độ dày của vật liệu được cắt sẽ tùy thuộc vào cường độ kéo của bản thân vật liệu đó. Rãnh trên để giữ mũi đột đóng vai trò như cờ đo độ dày đối với độ dày cắt được phép. Không được cắt bất cứ vật liệu nào không vừa khớp vào rãnh này.

## Đường cắt

Rãnh khía trong để giữ mũi đột sẽ chỉ báo đường cắt của bạn. Chiều rộng của nó bằng với chiều rộng cắt. Căn chỉnh rãnh khía với đường cắt trên phôi gia công khi cắt.

## Hoạt động công tắc

► **Hình3:** 1. Cần công tắc

### ⚠ THẬN TRỌNG:

- Trước khi cắm điện vào dụng cụ, luôn kiểm tra xem công tắc có hoạt động bình thường và trả về vị trí "TẮT" khi nhấn phần sau của cần công tắc hay không.

Đề bật lên, nhấn phần sau của cần công tắc và đẩy tới trước. Sau đó nhấn phần trước của cần công tắc để khóa nó lại.

Đề tắt đi, nhấn phần sau của cần công tắc.

## LẮP RÁP

### ⚠ THẬN TRỌNG:

- Luôn đảm bảo rằng dụng cụ đã được tắt và rút phích cắm trước khi thực hiện bất kỳ công việc nào trên dụng cụ.

## Tháo hoặc lắp đặt thanh đột và mũi đột

► **Hình4:** 1. Để giữ mũi đột 2. Mũi đột 3. Bu-lông 4. Cờ lê lục giác

Luôn thay thế thanh đột và mũi đột theo cùng một bộ. Để tháo thanh đột và mũi đột ra, hãy nới lỏng đai ốc khóa bằng cờ lê. Tháo để giữ mũi đột ra khỏi dụng cụ. Dùng khóa lục giác để nới lỏng các bu-lông đang cố định mũi đột. Tháo mũi đột ra khỏi để giữ mũi đột.

Dùng khóa lục giác để nới lỏng vít đang cố định thanh đột. Kéo thanh đột ra khỏi để giữ thanh đột.

► **Hình5:** 1. Thanh đột 2. Để giữ thanh đột 3. Vít 4. Cờ lê lục giác

Để lắp thanh đột và mũi đột, hãy lắp thanh đột vào để giữ thanh đột sao cho rãnh khóa trong thanh đột hướng về phía con vít. Vặn chặt vít đó để cố định thanh đột. Lắp mũi đột lên để giữ mũi đột. Vặn chặt các bu-lông để cố định mũi đột.

► **Hình6:** 1. Thanh đột 2. Rãnh khóa

Sau đó lắp để giữ mũi đột lên dụng cụ sao cho thanh đột được lắp xuyên qua lỗ trong để giữ mũi đột. Vặn chặt đai ốc khóa để cố định để giữ mũi đột. Sau khi thay thế thanh đột và mũi đột, hãy bôi trơn chúng bằng dầu máy và chạy thử dụng cụ một lúc.

► **Hình7:** 1. Bu-lông 2. Mũi đột 3. Thanh đột 4. Để giữ mũi đột

## VẬN HÀNH

### Bôi trơn trước

Phủ dầu máy lên đường cắt để gia tăng tuổi thọ hoạt động của thanh đột và mũi đột. Thao tác này cực kỳ quan trọng khi cắt nhôm.

## Phương pháp cắt

► **Hình8**

Giữ dụng cụ sao cho đầu cắt vuông góc (90°) với phiôi gia công được cắt. Di chuyển dụng cụ nhẹ nhàng theo hướng cắt.

## Phần cắt rời

► **Hình9**

Có thể thực hiện các phần cắt rời bằng cách trước tiên tạo một lỗ hở tròn đường kính khoảng trên 21 mm để có thể đưa đầu cắt vào.

## Cắt các kim loại dạng tấm gấp nếp hoặc hình thang

► **Hình10:** 1. Góc nhìn theo mặt trên 2. Cắt theo một góc với các rãnh 3. Cắt vuông góc với các rãnh 4. Góc nhìn theo mặt bên 5. Kim loại dạng tấm gấp nếp hoặc hình thang

Cài vị trí mũi đột sao cho mũi đột chỉ về hướng cắt khi cắt theo góc hoặc vuông góc với các rãnh trên kim loại dạng tấm gấp nếp hoặc hình thang.

Luôn giữ phần thân dụng cụ song song với các rãnh và đầu cắt vuông góc (90°) với bề mặt cắt như thể hiện trong hình.

► **Hình11:** 1. Góc nhìn theo mặt bên 2. Đầu cắt cần để vuông góc (90°) với mặt phẳng cắt.

## BẢO DƯỠNG

### ⚠ THẬN TRỌNG:

- Luôn đảm bảo rằng dụng cụ đã được tắt và rút phích cắm trước khi thử thực hiện việc kiểm tra hoặc bảo dưỡng.
- Không bao giờ dùng xăng, ét xăng, dung môi, cồn hoặc hóa chất tương tự. Có thể xảy ra hiện tượng mất màu, biến dạng hoặc nứt vỡ.

## Thay chổi các-bon

► **Hình12:** 1. Vạch giới hạn

Hãy tháo và kiểm tra các chổi các-bon thường xuyên. Thay thế khi chổi đã mòn đến vạch giới hạn. Giữ các chổi các-bon sạch và có thể trượt dễ dàng vào chỗ giữ chổi. Cả hai chổi các-bon phải được thay thế cùng một lúc. Chỉ sử dụng các chổi các-bon giống nhau.

Hãy sử dụng tuốc-nơ-vít để tháo các nắp giữ chổi. Tháo các chổi các-bon đã bị mòn ra, lắp chổi mới vào và vặn chặt các nắp giữ chổi.

► **Hình13:** 1. Nắp giữ chổi 2. Tuốc-nơ-vít

Để duy trì sự AN TOÀN và TIN CẬY của sản phẩm, việc sửa chữa, bất kỳ thao tác bảo dưỡng hoặc điều chỉnh nào đều phải được thực hiện bởi các Trung tâm Dịch vụ Được Ủy quyền của Makita, luôn sử dụng các phụ tùng thay thế của Makita.

# PHỤ KIỆN TÙY CHỌN

## **⚠ THẬN TRỌNG:**

- Các phụ kiện hoặc phụ tùng này được khuyến cáo sử dụng với dụng cụ Makita của bạn theo như quy định trong hướng dẫn này. Việc sử dụng bất kỳ phụ kiện hoặc phụ tùng nào khác đều có thể gây ra rủi ro thương tích cho người. Chỉ sử dụng phụ kiện hoặc phụ tùng cho mục đích đã quy định sẵn của chúng.

Nếu bạn cần bất kỳ sự hỗ trợ nào để biết thêm chi tiết về các phụ kiện này, hãy hỏi Trung tâm Dịch vụ Makita tại địa phương của bạn.

- Mũi đột
- Thanh đột
- Cờ lê lục giác
- Cờ lê 32

**LƯU Ý:** Một số mục trong danh sách có thể được bao gồm trong gói dụng cụ làm phụ kiện tiêu chuẩn. Các mục này ở mỗi quốc gia có thể khác nhau.

## ข้อมูลจำเพาะ

รุ่น		JN1601
ความสามารถในการตัดสูงสุด	แผ่นเหล็กสูงสุด 400 N/mm <sup>2</sup>	1.6 mm / 16 ga
	แผ่นเหล็กสูงสุด 600 N/mm <sup>2</sup>	1.2 mm / 18 ga
	แผ่นเหล็กสูงสุด 800 N/mm <sup>2</sup>	0.8 mm / 22 ga
	แผ่นอะลูมิเนียมสูงสุด 200 N/mm <sup>2</sup>	2.5 mm / 13 ga
รัศมีการตัดต่ำสุด	ขอบด้านนอก	50 mm
	ขอบด้านใน	45 mm
อัตราการชักต่อนาที (min <sup>-1</sup> )		2,200
ความยาวโดยรวม		261 mm
น้ำหนักสุทธิ		1.6 kg
มาตรฐานความปลอดภัย		□/II

- เนื่องจากการค้นคว้าวิจัยและพัฒนาอย่างต่อเนื่อง ข้อมูลจำเพาะในเอกสารฉบับนี้อาจเปลี่ยนแปลงได้โดยไม่ต้องแจ้งให้ทราบล่วงหน้า
- ข้อมูลจำเพาะอาจแตกต่างกันไปในแต่ละประเทศ
- น้ำหนักตามข้อบังคับของ EPTA 01/2014

## สัญลักษณ์

ต่อไปนี้เป็นสัญลักษณ์ที่อาจใช้สำหรับอุปกรณ์ โปรดศึกษาความหมายของสัญลักษณ์ให้เข้าใจก่อนการใช้งาน



อ่านคู่มือการใช้งาน



นวนสองชั้น



สำหรับประเทศในสหภาพยุโรปเท่านั้น ห้ามทิ้งอุปกรณ์ไฟฟ้ารวมกับขยะครัวเรือนทั่วไป เพื่อให้เป็นไปตามกฎระเบียบของยุโรปเกี่ยวกับขยะจำพวกอุปกรณ์ไฟฟ้าและอิเล็กทรอนิกส์ และการปฏิบัติตามกฎหมายในประเทศ ต้องเก็บอุปกรณ์ไฟฟ้าทั้งหมดอายุการใช้งานแล้วแยกต่างหาก และส่งกลับไปยังศูนย์รีไซเคิลที่เป็นมิตรต่อสิ่งแวดล้อม

## จุดประสงค์การใช้งาน

เครื่องมือนี้ใช้สำหรับตัดแผ่นเหล็กและแผ่นเหล็กสแตนเลส

## แหล่งจ่ายไฟ

ควรเชื่อมต่อเครื่องมือกับแหล่งจ่ายไฟที่มีแรงดันไฟฟ้าตามที่ระบุไว้ในป้ายข้อมูลของเครื่องมือ และจะต้องใช้ไฟฟ้ากระแสสลับแบบเฟสเดียวเท่านั้น อุปกรณ์นี้ได้รับการคุ้มครองสองชั้นและสามารถใช้กับปลั๊กไฟที่ไม่มีสายดินได้

## คำเตือนด้านความปลอดภัยของเครื่องมือไฟฟ้าทั่วไป

**⚠ คำเตือน:** โปรดอ่านคำเตือนด้านความปลอดภัย คำแนะนำ ภาพประกอบ และข้อมูลจำเพาะต่างๆ ที่ให้มากับเครื่องมือไฟฟ้านี้อย่างละเอียด การไม่ปฏิบัติตามคำแนะนำดังต่อไปนี้ อาจส่งผลให้เกิดไฟฟ้าช็อต ไฟไหม้ และ/หรือได้รับบาดเจ็บอย่างร้ายแรงได้

## เก็บรักษาคำเตือนและคำแนะนำทั้งหมดไว้

### เป็นข้อมูลอ้างอิงในอนาคต

คำว่า “เครื่องมือไฟฟ้า” ในคำเตือนนี้หมายถึงเครื่องมือไฟฟ้า (มีสาย) ที่ทำงานโดยใช้กระแสไฟฟ้าหรือเครื่องมือไฟฟ้า (ไร้สาย) ที่ทำงานโดยใช้แบตเตอรี่

## ความปลอดภัยของพื้นที่ทำงาน

1. ดูแลพื้นที่ทำงานให้มีความสะอาดและมีแสงไฟสว่าง พื้นที่รกกระระกะหรือมีสิ่งกีดขวางนำไปสู่การเกิดอุบัติเหตุได้
2. อย่าใช้งานเครื่องมือไฟฟ้าในสภาพที่อาจเกิดการระเบิด เช่น ในสถานที่ที่มีของเหลว ก๊าซ หรือฝุ่นผงที่มีคุณสมบัติไวไฟ เครื่องมือไฟฟ้าอาจสร้างประกายไฟและจุดชนวนฝุ่นผงหรือก๊าซดังกล่าว
3. ดูแลไม่ให้มีเด็ก หรือบุคคลอื่นอยู่ในบริเวณที่กำลังใช้เครื่องมือไฟฟ้า การมีสิ่งรบกวนสมาธิอาจทำให้คุณสูญเสียการควบคุม

## ความปลอดภัยด้านไฟฟ้า

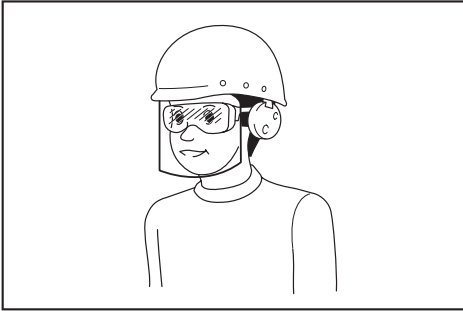
1. ปลั๊กของเครื่องมือไฟฟ้าต้องพอดีกับตัวรับ อย่าดัดแปลงปลั๊กไม่ว่ากรณีใดๆ อย่าใช้ปลั๊กอะแดปเตอร์กับเครื่องมือไฟฟ้าที่ต่อสายดิน ปลั๊กที่ไม่ถูกดัดแปลงและตัวรับที่เข้ากันพอดีจะช่วยลดความเสี่ยงของการเกิดไฟฟ้าช็อต
2. ระวังอย่าให้ร่างกายสัมผัสกับพื้นผิวที่ต่อสายดิน เช่น ท่อ เครื่องนำความร้อน เต้าหุงต้ม และตู้เย็น มีความเสี่ยงที่จะเกิดไฟฟ้าช็อตสูงขึ้น หากร่างกายของคุณสัมผัสกับพื้น
3. อย่าให้เครื่องมือไฟฟ้าถูกน้ำหรืออยู่ในสภาพเปียกชื้น น้ำที่ไหลเข้าไปในเครื่องมือไฟฟ้าจะเพิ่มความเสี่ยงของการเกิดไฟฟ้าช็อต
4. อย่าใช้สายไฟอย่างไม่เหมาะสม อย่าใช้สายไฟเพื่อยก ดึง หรือถอดปลั๊กเครื่องมือไฟฟ้า เก็บสายไฟให้ห่างจากความร้อน น้ำมัน ขอมมีคม หรือชิ้นส่วนที่เคลื่อนที่ สายที่ชำรุดหรือพันกันจะเพิ่มความเสี่ยงของการเกิดไฟฟ้าช็อต
5. ขณะที่ใช้งานเครื่องมือไฟฟ้านอกอาคาร ควรใช้สายต่อพ่วงที่เหมาะสมกับงานภายนอกอาคาร การใช้สายที่เหมาะสมกับงานภายนอกอาคารจะลดความเสี่ยงของการเกิดไฟฟ้าช็อต
6. หากต้องใช้งานเครื่องมือไฟฟ้าในสถานที่เปียกชื้น ให้ใช้อุปกรณ์ป้องกันกระแสไฟรั่ว (RCD) การใช้ RCD จะลดความเสี่ยงของการเกิดไฟฟ้าช็อต
7. แนะนำให้ใช้แหล่งจ่ายไฟผ่าน RCD ที่มีกระแสไฟรั่วในอัตราไม่เกิน 30 mA เสมอ
8. เครื่องมือไฟฟ้าอาจสร้างสนามแม่เหล็ก (EMF) ที่ไม่เป็นอันตรายต่อผู้ใช้ อย่างไรก็ตาม ผู้ใช้ที่ใส่เครื่องกระตุ้นหัวใจและอุปกรณ์ทางการแพทย์ที่คล้ายกันนี้ควรติดต่อผู้ผลิตอุปกรณ์และ/หรือแพทย์เพื่อรับคำแนะนำก่อนใช้งานเครื่องมือไฟฟ้านี้
9. อย่าจับปลั๊กไฟด้วยมือที่เปียก

10. หากสายไฟชำรุด โปรดให้ผู้ผลิตหรือตัวแทนของผู้ผลิตเปลี่ยนให้ เพื่อหลีกเลี่ยงอันตราย

## ความปลอดภัยส่วนบุคคล

1. ให้ระมัดระวังและมีสติอยู่เสมอขณะใช้งานเครื่องมือไฟฟ้า อย่าใช้งานเครื่องมือไฟฟ้าในขณะที่คุณกำลังเหนื่อย หรือในสภาพที่มึนเมาจากยาเสพติด เครื่องดื่ม แอลกอฮอล์ หรือการกินยา ช่วงเวลาที่ขาดความระมัดระวังเมื่อกำลังใช้งานเครื่องมือไฟฟ้าอาจทำให้ได้รับบาดเจ็บร้ายแรง
2. ใช้อุปกรณ์ป้องกันส่วนบุคคล สวมแว่นตาป้องกันแสงมอ อุปกรณ์ป้องกัน เช่น หน้ากากกันฝุ่น รองเท้านิรภัย กันลื่น หมวกนิรภัย หรือเครื่องป้องกันการได้ยินที่ใช้ในสภาพที่เหมาะสมจะช่วยลดการบาดเจ็บ
3. ป้องกันไม่ให้เกิดการเปิดใช้งานโดยไม่ตั้งใจ ตรวจสอบให้แน่ใจว่าสวิตช์ปิดอยู่ก่อนที่จะเชื่อมต่อกับแหล่งจ่ายไฟ และ/หรือชุดแบตเตอรี่ รวมทั้งตรวจสอบก่อนการยกหรือเคลื่อนย้ายเครื่องมือ การสอดนิ้วมือบริเวณสวิตช์เพื่อถือเครื่องมือไฟฟ้า หรือการชาร์จไฟเครื่องมือไฟฟ้าในขณะที่เปิดสวิตช์อาจนำไปสู่การเกิดอุบัติเหตุ
4. นำคู่มือฉบับปรับปรุงหรือประกาศออกก่อนที่จะเปิดเครื่องมือไฟฟ้า ประแหรหรือคู่มือแจ้งที่เสียบคางอยู่ในชั้นส่วนที่หมุนได้ของเครื่องมือไฟฟ้าอาจทำให้ได้รับบาดเจ็บ
5. อย่าทำงานในระยะที่สุดเอื้อม จัดทำการยึนและการทรงตัวให้เหมาะสมตลอดเวลา เพราะจะทำให้ควบคุมเครื่องมือไฟฟ้าได้ดีขึ้นในสถานการณ์ที่ไม่คาดคิด
6. แต่งกายให้เหมาะสม อย่าสวมเครื่องแต่งกายที่หลวมเกินไป หรือสวมเครื่องประดับ ดูแลไม่ให้เส้นผมและเสื้อผ้าอยู่ใกล้ชิ้นส่วนที่เคลื่อนที่ เสื้อผ้ารุ่มร่าม เครื่องประดับ หรือผมที่มีความยาวอาจเข้าไปติดในชิ้นส่วนที่เคลื่อนที่
7. หากมีการจัดอุปกรณ์สำหรับดูดและจัดเก็บฝุ่นไว้ในสถานที่ ให้ตรวจสอบว่าได้เชื่อมต่อและใช้งานอุปกรณ์นั้นอย่างเหมาะสม การใช้เครื่องดูดและจัดเก็บฝุ่นจะช่วยลดอันตรายที่เกิดจากฝุ่นผงได้
8. อย่าให้ความคุ้นเคยจากการใช้งานเครื่องมือเป็นประจำทำให้คุณทำตามตามสบายและละเลยหลักการเพื่อความปลอดภัยในการใช้เครื่องมือ การกระทำที่ไม่ระมัดระวังอาจทำให้เกิดการบาดเจ็บร้ายแรงภายในเสี้ยววินาที

- สวมใส่แว่นครอบตานิรภัยเพื่อปกป้องดวงตาของคุณจากการบาดเจ็บเมื่อใช้เครื่องมือไฟฟ้า แว่นครอบตาจะต้องได้มาตรฐาน ANSI Z87.1 ในสหรัฐอเมริกา, EN 166 ในยุโรป หรือ AS/NZS 1336 ในออสเตรเลีย/นิวซีแลนด์ ในออสเตรเลีย/นิวซีแลนด์ จะต้องสวมเกราะป้องกันใบหน้าเพื่อปกป้องใบหน้าของคุณอย่างถูกต้องตามกฎหมายด้วย



ผู้ว่าจ้างมีหน้าที่รับผิดชอบในการบังคับผู้ใช้งานเครื่องมือและบุคคลอื่นๆ ที่อยู่ในบริเวณที่ปฏิบัติงานให้ใช้อุปกรณ์ป้องกันที่เหมาะสม

#### การใช้และดูแลเครื่องมือไฟฟ้า

- อย่าฝืนใช้เครื่องมือไฟฟ้า ใช้เครื่องมือไฟฟ้าที่เหมาะสมกับการใช้งานของคุณ เครื่องมือไฟฟ้าที่เหมาะสมจะทำให้ได้งานที่มีประสิทธิภาพและปลอดภัยกว่าตามขีดความสามารถของเครื่องที่ได้รับการออกแบบมา
- อย่าใช้เครื่องมือไฟฟ้า หากสวิตช์ไม่สามารถเปิดปิดได้ เครื่องมือไฟฟ้าที่ควบคุมด้วยสวิตช์ไม่ได้เป็นสิ่งอันตรายและต้องได้รับการซ่อมแซม
- ถอดปลั๊กจากแหล่งจ่ายไฟ และ/หรือชุดแบตเตอรี่ออกจากเครื่องมือไฟฟ้าก่อนทำการปรับตั้ง เปลี่ยนอุปกรณ์เสริม หรือจัดเก็บเครื่องมือไฟฟ้า วิธีการป้องกันด้านความปลอดภัยดังกล่าวจะช่วยลดความเสี่ยงในการเปิดใช้งานเครื่องมือไฟฟ้าโดยไม่ตั้งใจ
- จัดเก็บเครื่องมือไฟฟ้าที่ไม่ได้ใช้งานให้ห่างจากมือเด็ก และอย่าอนุญาตให้บุคคลที่ไม่คุ้นเคยกับเครื่องมือไฟฟ้าหรือคำแนะนำเหล่านี้ใช้งานเครื่องมือไฟฟ้า เครื่องมือไฟฟ้าจะเป็นอันตรายเมื่ออยู่ในมือของผู้ที่ไม่ได้รับการฝึกอบรม

- บำรุงรักษาเครื่องมือไฟฟ้าและอุปกรณ์เสริม ตรวจสอบการประกอบที่ไม่ถูกต้องหรือการเชื่อมต่อของชิ้นส่วนที่เคลื่อนที่ การแตกหักของชิ้นส่วน หรือสภาพอื่นๆ ที่อาจส่งผลกระทบต่อการทำงานของเครื่องมือไฟฟ้า หากมีความเสียหาย ให้นำเครื่องมือไฟฟ้าไปซ่อมแซมก่อนการใช้งาน อุบัติเหตุจำนวนมากเกิดจากการดูแลรักษาเครื่องมือไฟฟ้าอย่างไม่ถูกต้อง
- ทำความสะอาดเครื่องมือตัดและลับให้คมอยู่เสมอ เครื่องมือการตัดที่มีการดูแลอย่างถูกต้องและมีขอบการตัดคมมักจะจะมีปัญหาติดขัดน้อยและควบคุมได้ง่ายกว่า
- ใช้เครื่องมือไฟฟ้า อุปกรณ์เสริม และวัสดุสิ้นเปลือง ฯลฯ ตามคำแนะนำดังกล่าว พิจารณาสภาพการทำงานและงานที่จะลงมือทำ การใช้เครื่องมือไฟฟ้าเพื่อทำงานอื่นนอกเหนือจากที่กำหนดไว้อาจทำให้เกิดอันตราย
- ดูแลมือจับและบริเวณมือจับให้แห้ง สะอาด และไม่มีน้ำมันและจาระบีเปื้อน มือจับและบริเวณมือจับที่ลื่นจะทำให้ไม่สามารถจับและควบคุมเครื่องมือได้อย่างปลอดภัยในสถานการณ์ที่ไม่คาดคิด
- ขณะใช้งานเครื่องมือ อย่างสวมใส่ถุงมือผ้าที่อาจเข้าไปติดในเครื่องมือได้ หากถุงมือผ้าเข้าไปติดในชิ้นส่วนที่กำลังเคลื่อนที่ที่อยู่อาจทำให้ได้รับบาดเจ็บ

#### การซ่อมบำรุง

- นำเครื่องมือไฟฟ้าเข้ารับบริการจากช่างซ่อมที่ผ่านการรับรองโดยใช้อะไหล่แบบเดียวกันเท่านั้น เพราะจะทำให้การใช้เครื่องมือไฟฟ้ามีความปลอดภัย
- ปฏิบัติตามคำแนะนำในการหล่อนและเปลี่ยนอุปกรณ์เสริม

#### ความปลอดภัยด้านการใช้งานนิรภัย

- จับเครื่องมือให้แน่น
- ยึดชิ้นงานให้แน่น
- ระวังอย่าให้มือสัมผัสกับชิ้นส่วนที่เคลื่อนที่
- ขอบและเศษชิ้นงานมีความคม ให้สวมถุงมือ นอกจากนี้ขอแนะนำให้ใส่รองเท้าส้นหนาเพื่อป้องกันการบาดเจ็บ
- อย่าวางเครื่องมือบนเศษชิ้นงาน ไม่เช่นนั้นอาจทำให้เครื่องมือเสียหายหรือเกิดปัญหาได้
- อย่าปล่อยให้เครื่องมือทำงานค้างไว้ ใช้งานเครื่องมือในขณะที่ถืออยู่เท่านั้น

- ตรวจสอบบริเวณที่ยืนให้มีความมั่นคงเสมอ ตรวจสอบให้แน่ใจว่าไม่มีคนอยู่ด้านล่างเมื่อใช้งาน เครื่องมือบนที่สูง
- ห้ามสัมผัสกับที่เจาะ แม่แบบเจาะ หรือชิ้นงานทันทีที่ทำงานเสร็จ เนื่องจากสิ่งดังกล่าวอาจมีความร้อนสูง และลวกผิวหนังของคุณได้
- ระวังอย่าให้ตัดโดนสายไฟ เนื่องจากอาจทำให้เกิดอุบัติเหตุร้ายแรงจากไฟฟ้าช็อต

## ปฏิบัติตามคำแนะนำเหล่านี้

**คำเตือน:** อย่าให้ความไม่ระมัดระวังหรือความคุ้นเคยกับผลิตภัณฑ์ (จากการใช้งานซ้ำหลายครั้ง) อยู่เหนือการปฏิบัติตามกฎเกณฑ์ด้านความปลอดภัยในการใช้งานผลิตภัณฑ์อย่างเคร่งครัด การใช้งานอย่างไม่เหมาะสมหรือการไม่ปฏิบัติตามกฎเกณฑ์ด้านความปลอดภัยในคู่มือการใช้งานนี้อาจทำให้ได้รับบาดเจ็บร้ายแรง

## คำอธิบายการทำงาน

### ข้อควรระวัง:

- ตรวจสอบให้แน่ใจเสมอว่าปิดสวิตช์เครื่องมือ และถอดปลั๊กแล้วก่อนทำการปรับหรือตรวจสอบ ฟังก์ชันบนเครื่องมือ

## การเปลี่ยนตำแหน่งแม่แบบเจาะ

- **หมายเลข 1:** 1. แม่แบบเจาะ 2. ที่ยึดแม่แบบเจาะ 3. น็อตล็อก 4. ประแจ

สามารถเปลี่ยนตำแหน่งแม่แบบเจาะได้ 360° หากต้องการเปลี่ยน โปรดปฏิบัติตามดังต่อไปนี้

- คลายน็อตล็อกด้วยประแจที่ให้มาด้วย
- ดึงที่ยึดแม่แบบเจาะเล็กน้อยแล้วหมุนไปยังตำแหน่งที่ต้องการเพื่อใช้งาน
- ขันน็อตล็อกให้แน่นเพื่อยึดที่ยึดแม่แบบเจาะไว้ในตำแหน่งที่ต้องการ

มีตำแหน่งหยุดสี่ตำแหน่งโดยห่างกันตำแหน่งละ 90°: 0°, 90° ซ้ายและขวา และ 180° วิธีการจัดตำแหน่งแม่แบบเจาะไว้ที่ตำแหน่งหยุดสี่ตำแหน่งดังกล่าว:

- คลายน็อตล็อกด้วยประแจที่ให้มาด้วย
- ดึงที่ยึดแม่แบบเจาะเล็กน้อยแล้วดลจนเล็กน้อยในระหว่างที่หมุนแม่แบบเจาะไปยังตำแหน่งที่กำหนด ที่ยึดแม่แบบเจาะจะล็อกเข้ากับตำแหน่งหยุดตามต้องการ

- หมุนที่ยึดแม่แบบเจาะเล็กน้อยเพื่อให้แน่ใจว่าล็อกเข้าสู่ตำแหน่งแล้ว
- ขันน็อตล็อกเพื่อยึดที่ยึดแม่แบบเจาะ

## ความหนาการตัดที่อนุญาตให้ใช้ได้

- **หมายเลข 2:** 1. มาตราวัดสำหรับการตัดสแตนเลส: 1.2 mm (3/64") 2. มาตราวัดสำหรับตัดเหล็กเหนียว: 1.6 mm (1/16") 3. ร่องบาก

ความหนาของวัสดุที่สามารถตัดได้จะขึ้นอยู่กับความแข็งแรงของวัสดุเอง ร่องบนที่ยึดแม่แบบเจาะจะทำหน้าที่เหมือนกวดัดความหนาสำหรับความหนาที่ตัดได้ อย่าพยายามตัดวัสดุที่ไม่สามารถใส่ในร่องนี้ได้

## แนวการตัด

ร่องบากบนที่ยึดแม่แบบเจาะจะบอกแนวการตัดของคุณ ความกว้างของร่องจะแสดงแนวการตัดของคุณ จัดให้ร่องบากตรงกับแนวการตัดบนชิ้นงานเมื่อตัด

## การทำงานของสวิตช์

- **หมายเลข 3:** 1. ก้านสวิตช์

### ข้อควรระวัง:

- ก่อนเสียบปลั๊กเครื่องมือ ให้ตรวจสอบว่าสวิตช์เลื่อนสั่งงานสามารถทำงานได้อย่างถูกต้อง และกลับไปยังตำแหน่ง "OFF" เมื่อกดด้านหลังของก้านสวิตช์

วิธีการเปิดเครื่อง ให้กดที่ด้านหลังของก้านสวิตช์แล้วดันไปข้างหน้า แล้วกดที่ด้านหน้าของก้านสวิตช์เพื่อล็อก วิธีการปิด ให้กดที่ด้านหลังของก้านสวิตช์

## การประกอบ

### ข้อควรระวัง:

- ตรวจสอบให้แน่ใจเสมอว่าปิดสวิตช์เครื่องมือและถอดปลั๊กออกแล้วก่อนดำเนินการใดๆ กับเครื่องมือ

## การถอดหรือการติดตั้งที่เจาะและแม่แบบเจาะ

- **หมายเลข 4:** 1. ที่ยึดแม่แบบเจาะ 2. แม่แบบเจาะ 3. สลักเกลียว 4. ประแจหกเหลี่ยม

เปลี่ยนที่เจาะและแม่แบบเจาะทั้งชุดเสมอ วิธีการถอดที่เจาะและแม่แบบเจาะ ให้ใช้ประแจคลายน็อตล็อก ถอดที่ยึดแม่แบบเจาะออกจากเครื่องมือ ใช้ประแจหกเหลี่ยมเพื่อคลายสลักเกลียวซึ่งยึดแม่แบบเจาะเอาไว้ ถอดแม่แบบเจาะออกจากที่ยึดแม่แบบเจาะ



ใช้ประแจหกเหลี่ยมเพื่อคลายสกรูซึ่งยึดที่เจาะเอาไว้ ดึงที่เจาะออกจากตัวยึดที่เจาะ

- **หมายเลข 5:** 1. ที่เจาะ 2. ตัวยึดที่เจาะ 3. สกรู  
4. ประแจหกเหลี่ยม

วิธีการติดตั้งที่เจาะและแม่แบบเจาะ ให้ใส่ที่เจาะเข้าไปในตัวยึดที่เจาะโดยให้ร่องบากของที่เจาะหันไปทางสกรู ชั้นสกรูเพื่อยึดที่เจาะ ติดตั้งแม่แบบเจาะเข้ากับที่ยึดแม่แบบเจาะ ชั้นสลักเกลียวเพื่อยึดแม่แบบเจาะ

- **หมายเลข 6:** 1. ที่เจาะ 2. ร่องบาก

แล้วติดตั้งที่ยึดแม่แบบเจาะเข้ากับเครื่องมือโดยให้ที่เจาะสอดเข้าไปในรูของที่ยึดแม่แบบเจาะ ชั้นน็อตล็อกเพื่อยึดที่ยึดแม่แบบเจาะ หลังจากเปลี่ยนที่เจาะและแม่แบบเจาะแล้ว ให้หล่อลื่นด้วยน้ำมันเครื่องแล้วเปิดให้เครื่องมือทำงานสักครู่

- **หมายเลข 7:** 1. สลักเกลียว 2. แม่แบบเจาะ 3. ที่เจาะ  
4. ที่ยึดแม่แบบเจาะ

## การใช้งาน

### การหล่อลื่นก่อนทำงาน

ใช้น้ำมันเครื่องทาแนวการตัดเพื่อเพิ่มอายุการใช้งานของที่เจาะและแม่แบบเจาะ ขั้นตอนนี้เป็นสิ่งที่สำคัญมากเมื่อตัดอลูมิเนียม

### วิธีการตัด

- **หมายเลข 8**

ถือเครื่องมือให้หัวตัดทำมุมที่ถูกต้อง (90°) กับชิ้นงานที่จะตัด เลื่อนเครื่องมือไปยังทิศทางที่จะตัดซ้ำๆ

### การตัด

- **หมายเลข 9**

สามารถตัดส่วนที่ไม่ต้องการของชิ้นงานออกได้ โดยขั้นแรกให้เจาะรูที่ใส่เส้นผ่านศูนย์กลางเกิน 21 mm เพื่อให้สามารถสอดหัวตัดเข้าไปได้

## การตัดแผ่นเหล็กลูกฟูกหรือสีเหลี่ยมคางหมู

- **หมายเลข 10:** 1. จากด้านบน 2. การตัดร่องแบบเฉียง 3. การตัดร่องแบบมุมฉาก  
4. จากด้านข้าง 5. แผ่นเหล็กแบบลูกฟูกหรือคางหมู

กำหนดตำแหน่งแม่แบบเจาะโดยให้แม่แบบเจาะหันหน้าไปยังทิศทางที่ต้องการตัด ทั้งเมื่อตัดร่องแบบเฉียงหรือแบบมุมฉากในแผ่นเหล็กแบบลูกฟูกหรือสีเหลี่ยมคางหมู ถือเครื่องมือให้ขนานกับร่องโดยให้หัวตัดทำมุมที่ถูกต้อง (90°) กับพื้นผิวการตัด ดังภาพ

- **หมายเลข 11:** 1. จากด้านข้าง 2. หัวตัดต้องทำมุมกับพื้นผิวที่ตัดอย่างถูกต้อง (90°)

## การบำรุงรักษา

### ⚠ ข้อควรระวัง:

- ตรวจสอบให้แน่ใจเสมอว่าปิดสวิตช์เครื่องมือและถอดปลั๊กออกแล้วก่อนพยายามดำเนินการตรวจสอบหรือบำรุงรักษา
- ห้ามใช้แก๊สโซลีน เบนซิน ทินเนอร์ แอลกอฮอล์ หรือสิ่งอื่นที่คล้ายกันนี้ เนื่องจากอาจทำให้เกิดไฟไหม้หรือแตกเร็วได้

## การเปลี่ยนแปรงคาร์บอน

- **หมายเลข 12:** 1. ชีตจำกัด

ถอดแปรงคาร์บอนออกมาตรวจสอบเป็นประจำ เปลี่ยนแปรงคาร์บอนเมื่อสึกหรือถึงเครื่องหมายขีดจำกัด ดูแลแปรงคาร์บอนให้สะอาดและไม่ลื่นหลุดออกจากที่ยึด ควรเปลี่ยนแปรงคาร์บอนทั้งสองอันพร้อมกัน ใช้แปรงคาร์บอนแบบเดียวกันเท่านั้น

ใช้ไขควงเพื่อถอดฝาปิดที่ยึดแปรงออก นำแปรงคาร์บอนที่สึกหรือออกมา ใส่แปรงคาร์บอนใหม่เข้าไป และปิดฝาปิดที่ยึดแปรงให้แน่น

- **หมายเลข 13:** 1. ฝาปิดที่ยึดแปรง 2. ไขควง

เพื่อความปลอดภัยและความน่าเชื่อถือของผลิตภัณฑ์ ควรให้ศูนย์บริการที่ได้รับบริการรับรองจาก Makita เป็นผู้ดำเนินการซ่อมแซม บำรุงรักษา และทำการปรับตั้งอื่นๆ นอกจากนี้ให้ใช้อะไหล่ของแท้จาก Makita เสมอ

## อุปกรณ์เสริม

### ข้อควรระวัง:

- ขอแนะนำให้ใช้อุปกรณ์เสริมหรืออุปกรณ์ต่อพ่วงเหล่านี้กับเครื่องมือของ Makita ที่ระบุไว้ในคู่มือนี้ การใช้อุปกรณ์เสริมหรืออุปกรณ์ต่อพ่วงอื่นๆ อาจมีความเสี่ยงที่จะได้รับบาดเจ็บ ใช้อุปกรณ์เสริมหรืออุปกรณ์ต่อพ่วงตามวัตถุประสงค์ที่ระบุไว้เท่านั้น

หากต้องการทราบรายละเอียดเพิ่มเติมเกี่ยวกับอุปกรณ์เสริมเหล่านี้ โปรดสอบถามศูนย์บริการ Makita ใกล้บ้านคุณ

- แม่แบบเจาะ
- ที่เจาะ
- ประแจหกเหลี่ยม
- ประแจ 32

**หมายเหตุ:** อุปกรณ์บางรายการอาจจะรวมอยู่ในชุดเครื่องมือเป็นอุปกรณ์มาตรฐาน ซึ่งอาจแตกต่างกันไปในแต่ละประเทศ



**Makita Corporation**  
3-11-8, Sumiyoshi-cho,  
Anjo, Aichi 446-8502 Japan  
[www.makita.com](http://www.makita.com)

883894C373  
EN, ZHCN, ID, MS,  
VI, TH  
20200219