



VN	VIETNAM
----	---------

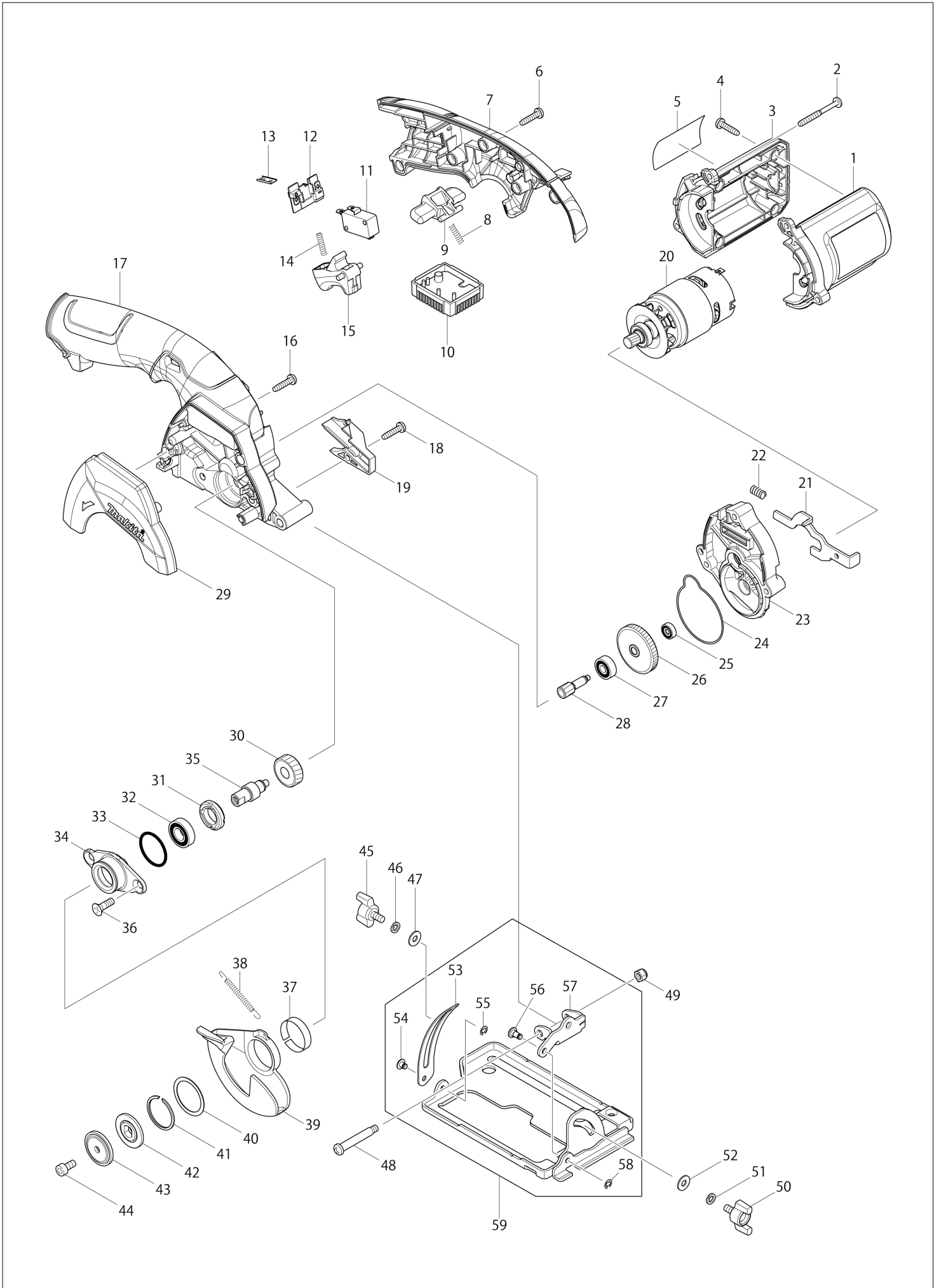
Diagram / Parts List

HS300D

85MM CORDLESS CIRCULAR SAW



(VN) HS300D / 85MM CORDLESS CIRCULAR SAW



VN	VIETNAM
-----------	----------------

HS300D / 85MM CORDLESS CIRCULAR SAW

Item	Sub	Parts No.	Parts Description	Qty	I/C	E/C No.	Close No.	Remark
001		188941-1	MOTOR HOUSING SET	1				
	D10		INC. 3					
002		266560-4	TAPPING SCREW 4X40	3				
003		188941-1	MOTOR HOUSING SET	1				
	D10		INC. 1					
004		265995-6	TAPPING SCREW 4X18	4				
005		868568-0	HS300D NAME PLATE	1				
006		265995-6	TAPPING SCREW 4X18	5				
007		188966-5	HANDLE SET	1				
	C10	263002-9	RUBBER PIN 4	1				
	C20	263005-3	RUBBER PIN 6	1				
	D10		INC. 17					
008		231469-9	COMPRESSION SPRING 4	1				
009		419664-3	LOCK OFF LEVER	1				
010		620015-7	CONTROLLER	1			91443	
010-1		638892-3	CONTROLLER UNIT	1	<	91443	C0482	
010-2		632L89-8	CONTROLLER UNIT	1	<	C0482		
011		651891-8	SWITCH V-15-3A6	1				
012		643830-2	TERMINAL	1				
013		345998-7	SET PLATE	1				
014		231469-9	COMPRESSION SPRING 4	1				
015		419665-1	SWITCH LEVER	1				
016		265995-6	TAPPING SCREW 4X18	2				
017		188966-5	HANDLE SET	1				
	C10	263002-9	RUBBER PIN 4	1				
	C20	263005-3	RUBBER PIN 6	1				
	D10		INC. 7					
018		265995-6	TAPPING SCREW 4X18	1				
019		452234-5	DUCT	1				
020		629885-1	DC MOTOR	1				
021		346337-4	SHAFT LOCK	1				
022		233117-6	COMPRESSION SPRING 6	1				
023		140625-9	GEAR HOUSING COMPLETE	1				
	C10	213325-5	O RING 19	1				
024		424358-7	PACKING	1				
025		210036-3	BALL BEARING 604ZZ	1				
026		227737-6	HELICAL GEAR 47	1				
027		210028-2	BALL BEARING 606ZZ	1				
028		227735-0	HELICAL GEAR 9B	1				
029		452243-4	BLADE COVER	1				
030		227736-8	HELICAL GEAR 28	1				
031		285847-5	BEARING RETAINER 14-23	1				
032		210069-8	BALL BEARING 6900DDW	1				
033		213435-8	O RING 26	1				
034		318660-7	BEARING BOX	1				
035		325983-6	SPINDLE	1				
036		265034-2	+ COUNTERSUNK HEAD SCREW M5X1	2				
037		345470-9	THICKNESS RING	1				
038		231867-7	TENSION SPRING 4	1				
039		452236-1	SAFETY COVER	1				
040		267127-1	FLAT WASHER 26	1				
041		257938-2	RETAINING RING(EXT) WR-26	1				
042		224435-3	INNER FLANGE 28	1				
043		224177-9	OUTER FLANGE 28	1				
044		922212-4	HEX. SOCKET HEAD BOLT M5X12	1				
045		265760-3	THUMB SCREW M5X10	1				
046		942101-7	SPRING WASHER 5	1			C3118	
046-1		253427-5	SPRING WASHER 5	1	O	C3118	D1189	
047		941101-4	FLAT WASHER 5	1				
048		265056-2	+ PAN HEAD SCREW M5	1				
049		252103-8	HEX. LOCK NUT M5-8	1				
050		265760-3	THUMB SCREW M5X10	1				
051		942101-7	SPRING WASHER 5	1			C3118	
051-1		253427-5	SPRING WASHER 5	1	O	C3118	D1189	
052		941101-4	FLAT WASHER 5	1				

Interchange
O : Yes
X : No
< : the new part can be substituted for the current.
> : the current part can be substituted for the new.
S : Interchangeable as a set.

