



VN	VIETNAM
----	---------

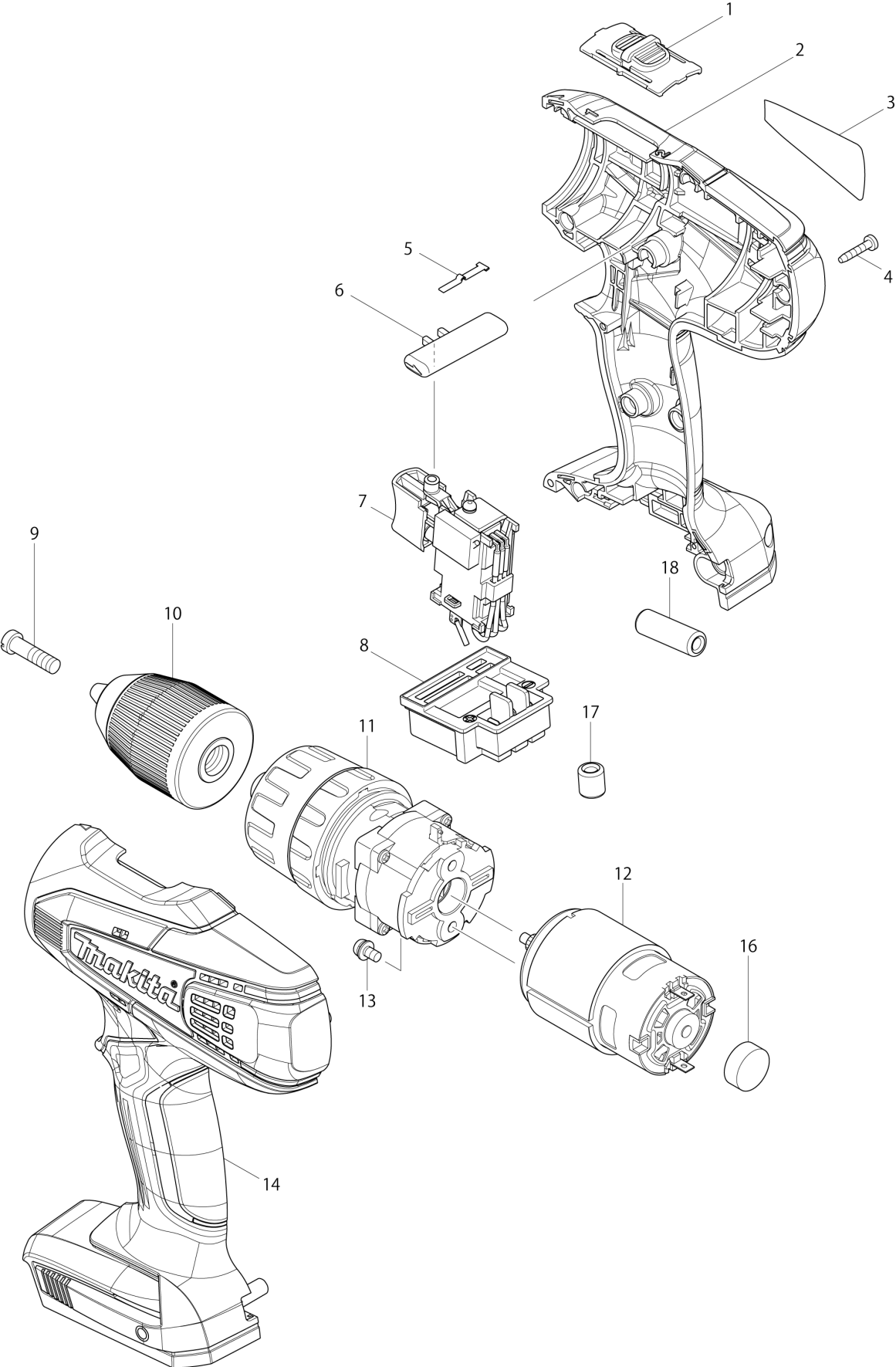
Diagram / Parts List

HP457D

CORDLESS HAMMER DRIVER DRILL



(VN) HP457D / CORDLESS HAMMER DRIVER DRILL



VN	VIETNAM
----	---------

HP457D / CORDLESS HAMMER DRIVER DRILL

Item	Sub	Parts No.	Parts Description	Qty	I/C	E/C No.	Close No.	Remark
001		125310-5	SPEED CHANGE LEVER ASS'Y	1				
	C10	231433-0	COMPRESSION SPRING 4	2				
002		187026-0	HOUSING SET	1				
	D10		INC. 14					
003		869392-4	HP457D NAME PLATE	1				
004		266429-2	TAPPING SCREW 3X16	9				
005		232182-2	LEAF SPRING	1				
006		452399-3	F/R CHANGE LEVER	1				
007		638887-6	SWITCH UNIT	1				
008		643862-9	TERMINAL	1				
009		251468-5	- FLAT HEAD SCREW M6X22	1				
010A		766004-9	KEYLESS DRILL CHUCK 13	1			99679	
010-1A		766004-9	KEYLESS DRILL CHUCK 13	1	O	99679		
010-1C		766004-9	KEYLESS DRILL CHUCK 13	1				
010-1D		766004-9	KEYLESS DRILL CHUCK 13	1				
011A		125485-0	GEAR ASS'Y	1			A7840	
011-1A		125485-0	GEAR ASS'Y	1	O	A7840		
011-1C		125485-0	GEAR ASS'Y	1				
011-1D		125485-0	GEAR ASS'Y	1				
012A		629834-8	DC MOTOR	1			A3972	
012-1A		629937-8	DC MOTOR	1	O	A3972		
012-1C		629937-8	DC MOTOR	1				
012-1D		629937-8	DC MOTOR	1				
013		911108-4	PAN HEAD SCREW M4X8	2				
014		187026-0	HOUSING SET	1				
	D10		INC. 2					
016		421940-3	CAP	1				
A01A		784636-0	+ - BIT 2-65	1				
A01C		784636-0	+ - BIT 2-65	1				
A01D		D-52308	74PCS. BIT SET, MM, TYPE NZ	1				
A02A		***DC18WA	DC18WA BATTERY CHARGER	1				
A02D		***DC18WA	DC18WA BATTERY CHARGER	1				
A03A		195454-5	BATTERY BL1811G SET	2			99806	
A03D		198186-3	BATTERY BL1815G SET	2				
A03-1A		196367-3	BATTERY BL1813G SET	2	O	99806	A5808	
A03-2A		196367-3	BATTERY BL1813G SET	2	O	A5808	B4484	
A03-3A		198186-3	BATTERY BL1815G SET	2	<	B4484		
A04A		452652-7	BATTERY COVER	1				
A04D		452652-7	BATTERY COVER	1				
A05A		824981-2	PLASTIC CARRYING CASE	1				
	C10	162315-4	LATCH	2				
	C20	452137-3	HANDLE	1				
A05D		821632-8	PLASTIC CASE	1				
	C10	455522-9	SLIDE LATCH	2				
	C20	452143-8	SHAFT	2				
A06A		892779-5	HP457DWE PLASTIC CASE LABEL	2			B4484	
A06-1A		810Y42-4	HP457DWE PLASTIC CASE LABEL	2	X	B4484		

A:HP457DWE(H)
C:HP457DZ(N)
D:HP457DWE10(H)

Interchange
O : Yes
X : No
< : the new part can be substituted for the current.
> : the current part can be substituted for the new.
S : Interchangeable as a set.