



VN	VIETNAM
----	---------

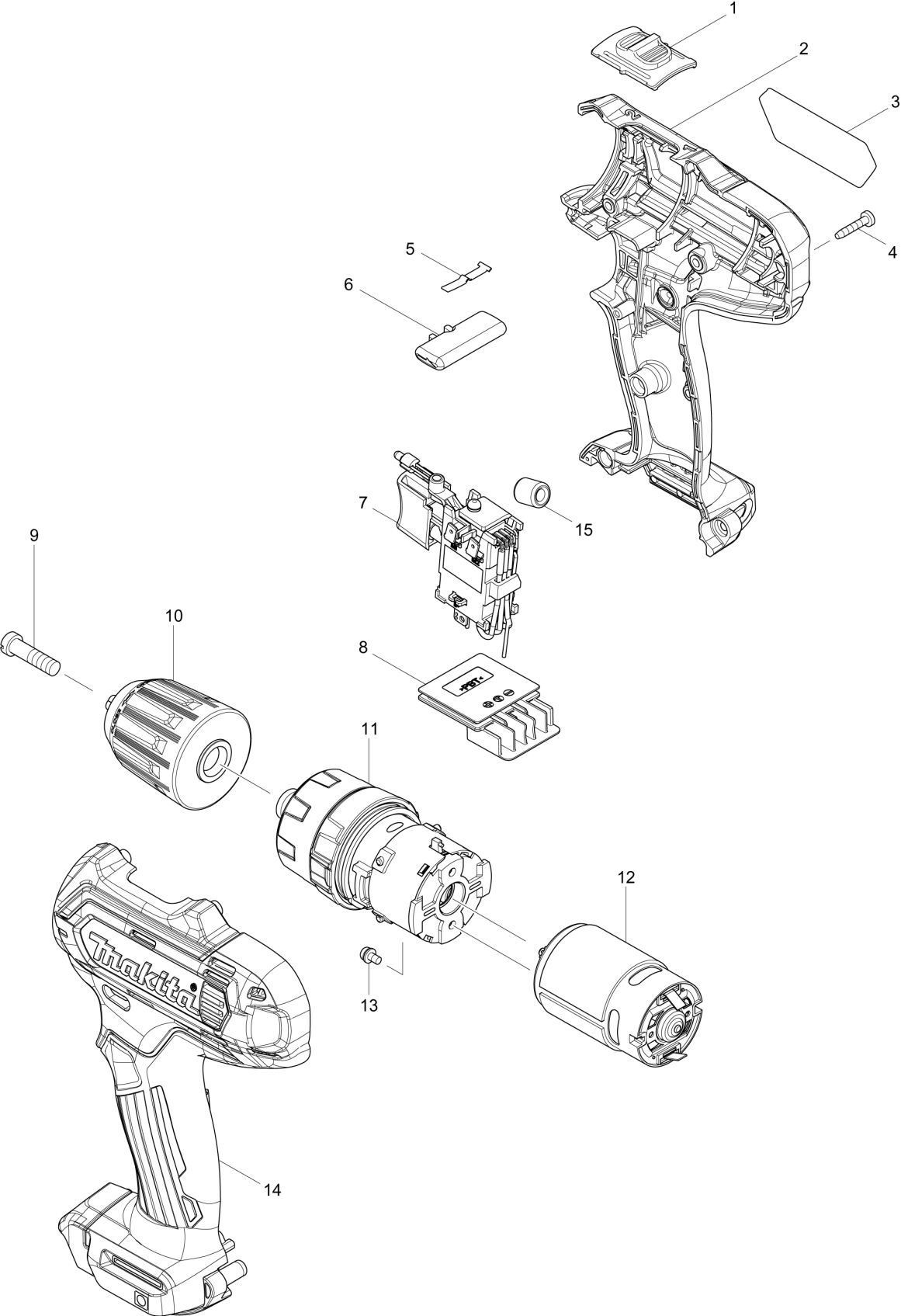
# Diagram / Parts List

**HP331D**

**CORDLESS HAMMER DRIVER DRILL**



(VN) HP331D / CORDLESS HAMMER DRIVER DRILL



<b>VN</b>	<b>VIETNAM</b>
-----------	----------------

### HP331D / CORDLESS HAMMER DRIVER DRILL

Item	Sub	Parts No.	Parts Description	Qty	I/C	E/C No.	Close No.	Remark
001		126233-0	SPEED CHANGE LEVER ASSEMBLY	1				
	C10	231433-0	COMPRESSION SPRING 4	2				
002		183B50-3	HOUSING SET	1				
	C10	252126-6	HEX. LOCK NUT M4-7	2				
	D10		INC. 14					
003		851H13-0	HP331D NAME PLATE	1			Y07746	
003-1		851H12-2	HP331D NAME PLATE	1	<	Y07746		
004		266429-2	TAPPING SCREW 3X16	9				
005		232239-9	LEAF SPRING	1				
006		456039-5	F/R CHANGE LEVER	1				
007A		632F43-6	SWITCH UNIT	1			B5112	
	C10	620463-0	LED CIRCUIT	1			B5112	
007B		632F43-6	SWITCH UNIT	1			B5112	
	C10	620463-0	LED CIRCUIT	1			B5112	
007C		632F43-6	SWITCH UNIT	1			B5112	
	C10	620463-0	LED CIRCUIT	1			B5112	
007D		632F43-6	SWITCH UNIT	1			B5112	
	C10	620463-0	LED CIRCUIT	1			B5112	
007E		632J77-3	SWITCH UNIT	1				
	C10	620625-0	LED CIRCUIT	1				
007-1A		632J77-3	SWITCH UNIT	1	<	B5112		
	C10	620625-0	LED CIRCUIT	1		B5112		
007-1B		632J77-3	SWITCH UNIT	1	<	B5112		
	C10	620625-0	LED CIRCUIT	1		B5112		
007-1C		632J77-3	SWITCH UNIT	1	<	B5112		
	C10	620625-0	LED CIRCUIT	1		B5112		
007-1D		632J77-3	SWITCH UNIT	1	<	B5112		
	C10	620625-0	LED CIRCUIT	1		B5112		
008		644813-5	TERMINAL	1				
009		251468-5	- FLAT HEAD SCREW M6X22	1				
010		763229-6	KEYLESS DRILL CHUCK 10	1				
011		123502-0	GEAR ASS'Y	1				
012		629167-1	DC MOTOR	1				
013		911003-8	PAN HEAD SCREW M3X6	2				
014		183B50-3	HOUSING SET	1				
	C10	252126-6	HEX. LOCK NUT M4-7	2				
	D10		INC. 2					
A01		251314-2	+ SCREW M4X12	1				
A02		346909-5	HOOK	1				
A03		784202-3	PHILLIPS BIT 2-45	1				
A04B		456128-6	BATTERY COVER	1				
A04C		456128-6	BATTERY COVER	1				
A04D		456128-6	BATTERY COVER	1				
A04E		456128-6	BATTERY COVER	1				
A05B		***DC10SB	DC10SB BATTERY CHARGER	1				
	D10		COMPO-PARTS					
A05C		***DC10SB	DC10SB BATTERY CHARGER	1				
	D10		COMPO-PARTS					
A05D		***DC10SB	DC10SB BATTERY CHARGER	1				
	D10		COMPO-PARTS					
A05E		***DC10WD	DC10WD BATTERY CHARGER	1				
	D10		COMPO-PARTS					
A06B		197393-5	BATTERY BL1016 SET	2				
A06C		197396-9	BATTERY BL1021B SET	2			C5226	
A06D		197393-5	BATTERY BL1016 SET	2				
A06E		197396-9	BATTERY BL1021B SET	1			C5226	
A06-1C		197396-9	BATTERY BL1021B SET	2	O	C5226		
A06-1E		197396-9	BATTERY BL1021B SET	1	O	C5226		
A07B		821661-1	PLASTIC CARRYING CASE	1				
	C10	417724-5	LATCH	2				
A07C		821661-1	PLASTIC CARRYING CASE	1				
	C10	417724-5	LATCH	2				
A07D		821697-0	PLASTIC CASE	1				
	C10	452143-8	SHAFT	2				
	C20	455522-9	SLIDE LATCH	2				

A:HP331DZ(N)  
 B:HP331DSYE(H)  
 C:HP331DSAE(H)  
 D:HP331DSYX1(H)  
 E:HP331DWAX8(H)

Interchange  
 O : Yes  
 X : No  
 < : the new part can be substituted for the current.  
 > : the current part can be substituted for the new.  
 S : Interchangeable as a set.

