



|    |         |
|----|---------|
| VN | VIETNAM |
|----|---------|

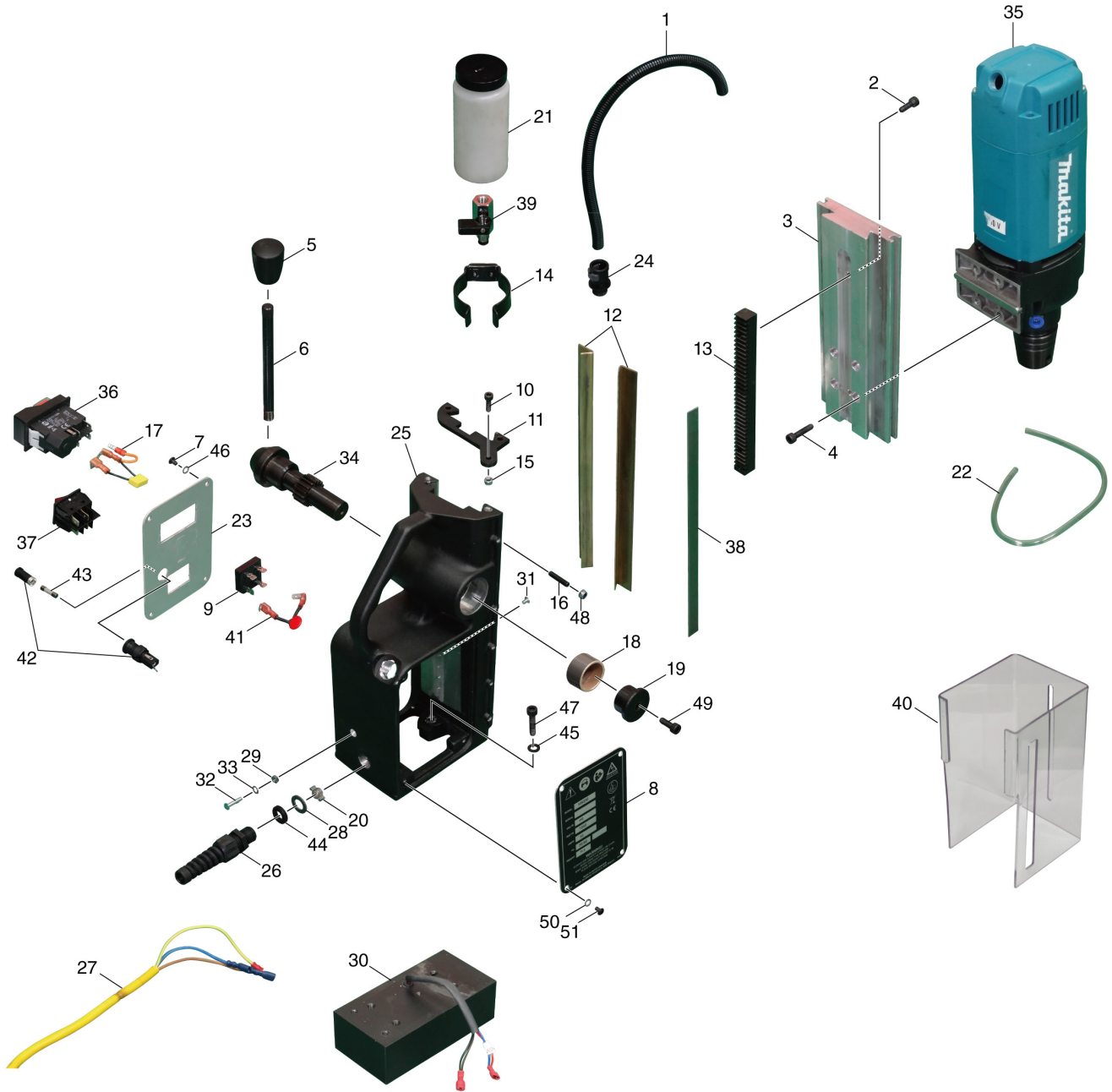
# Diagram / Parts List

**HB350**

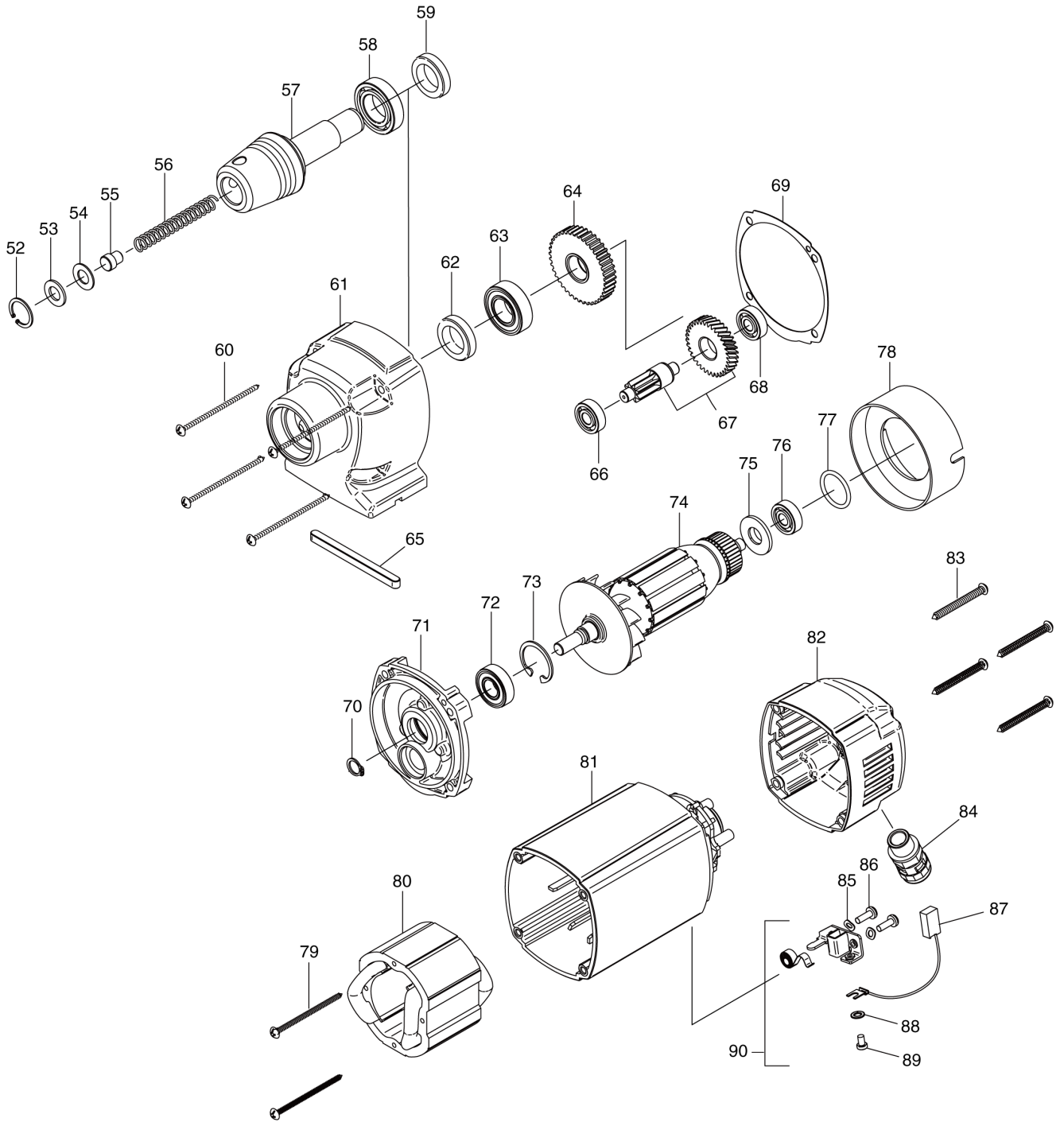
**MAGNETIC DRILL**



# (VN) HB350 / MAGNETIC DRILL



(VN) HB350 / MAGNETIC DRILL



|           |                |
|-----------|----------------|
| <b>VN</b> | <b>VIETNAM</b> |
|-----------|----------------|

### HB350 / MAGNETIC DRILL

| Item | Sub | Parts No.  | Parts Description             | Qty | I/C | E/C No. | Close No. | Remark |
|------|-----|------------|-------------------------------|-----|-----|---------|-----------|--------|
| 001  |     | UD000M0443 | CONDUIT LARGE 12MM            | 1   |     |         |           |        |
| 002  |     | UDSC616CAP | HEX SOCKET HEAD BOLT M6X16    | 2   |     |         |           |        |
| 003  |     | UD000M1000 | SLIDE                         | 1   |     |         |           |        |
| 004  |     | UDSC625CAP | HEX SOCKET HEAD BOLT M6X25    | 4   |     |         |           |        |
| 005  |     | UD000M0841 | HANDLE KNOB                   | 1   |     |         |           |        |
| 006  |     | UD000BD043 | HANDLE(10X130)                | 1   |     |         |           |        |
| 007  |     | UD0SC46BUT | H.S. BUTTON HEAD BOLT M4X6    | 4   |     |         |           |        |
| 008  |     | UD000M1002 | WARNING PLATE HB350 CE MJ     | 1   |     |         |           |        |
| 009  |     | UD000M0401 | BRIDGE RECTIFIER              | 1   |     |         |           |        |
| 010  |     | UDSC516CAP | HEX SOCKET HEAD BOLT M5X16    | 3   |     |         |           |        |
| 011  |     | UD00M0811A | BRACKET                       | 1   |     |         |           |        |
| 012  |     | UD000M0101 | RAIL                          | 2   |     |         |           |        |
| 013  |     | UD000M0831 | RACK                          | 1   |     |         |           |        |
| 014  |     | UD0010076C | OIL CUP RETAINING RING        | 1   |     |         |           |        |
| 015  |     | UD0010085B | M5 NYLOC NUT                  | 1   |     |         |           |        |
| 016  |     | UD0010085A | M5X25 GRUB SCREW              | 5   |     |         |           |        |
| 017  |     | UD0RD43118 | CAPACITOR                     | 1   |     |         |           |        |
| 018  |     | UD000M0081 | PINION BUSH                   | 2   |     |         |           |        |
| 019  |     | UD000M0072 | PINION END CAP (DEEP)         | 1   |     |         |           |        |
| 020  |     | UD0RD47179 | O CLIP                        | 1   |     |         |           |        |
| 021  |     | UD0030046A | SMALL OILCUP C/W TAP (BLACK)  | 1   |     |         |           |        |
| 022  |     | UD000BD029 | 6MM OIL PIPE                  | 1   |     |         |           |        |
| 023  |     | UD000M1001 | PANEL PLATE                   | 1   |     |         |           |        |
| 024  |     | UD00040026 | M16 GLAND                     | 1   |     |         |           |        |
| 025  |     | UDM0001BLK | MAIN HOUSING                  | 1   |     |         |           |        |
| 026  |     | UD00010231 | M16 STRAIN RELIEF GLAND       | 1   |     |         |           |        |
| 027  |     | UD00CLBL04 | POWER SUPPLY CORD EU          | 1   |     |         |           |        |
| 028  |     | UD0RD47187 | FLAT WASHER 10                | 1   |     |         |           |        |
| 029  |     | UDNUT-M4-B | HEX NUT M4                    | 1   |     |         |           |        |
| 030  |     | UD000M1020 | MAGNET BASE                   | 1   |     |         |           |        |
| 031  |     | UD0SC46CSK | -COUNTERSUNK HEAD SCREW M4X6  | 5   |     |         |           |        |
| 032  |     | UDSC412CSK | -COUNTERSUNK HEAD SCREW M4X12 | 1   |     |         |           |        |
| 033  |     | UD0SPWR-M4 | TOOTHED LOCK WASHER 4         | 1   |     |         |           |        |
| 034  |     | UD000M0041 | PINION                        | 1   |     |         |           |        |
| 035  |     | UD00EIB523 | DRILL UNIT 230V               | 1   |     |         |           |        |
| 036  |     | UD00NCP002 | SWITCH(230V)                  | 1   |     |         |           |        |
| 037  |     | UD00NCP006 | SWITCH                        | 1   |     |         |           |        |
| 038  |     | UD000M0441 | PLATE                         | 1   |     |         |           |        |
| 039  |     | UD00050015 | COCK                          | 1   |     |         |           |        |
| 040  |     | UD00VISO18 | GUARD                         | 1   |     |         |           |        |
| 041  |     | UDW18XC521 | VARISTOR 20MM 275VRMS         | 1   |     |         |           |        |
| 042  |     | UDW18XC511 | FUSE HOLDER                   | 1   |     |         |           |        |
| 043  |     | UDW18XC512 | FUSE                          | 1   |     |         |           |        |
| 044  |     | UD00UOD009 | RUBBER WASHER 10              | 1   |     |         |           |        |
| 045  |     | UD0SPWR-M5 | FLAT WASHER 6                 | 3   |     |         |           |        |
| 046  |     | UD0SPWR-M4 | TOOTHED LOCK WASHER 4         | 4   |     |         |           |        |
| 047  |     | UDSC625CAP | HEX SOCKET HEAD BOLT M6X25    | 3   |     |         |           |        |
| 048  |     | UD0010085B | M5 NYLOC NUT                  | 5   |     |         |           |        |
| 049  |     | UDSC616CAP | HEX SOCKET HEAD BOLT M6X16    | 1   |     |         |           |        |
| 050  |     | UD0SPWR-M4 | TOOTHED LOCK WASHER 4         | 4   |     |         |           |        |
| 051  |     | UD0SC46BUT | H.S. BUTTON HEAD BOLT M4X6    | 4   |     |         |           |        |
| 052  |     | UD00EBD030 | CIRCLIP                       | 1   |     |         |           |        |
| 053  |     | UD00EBD029 | RUBBER WASHER                 | 1   |     |         |           |        |
| 054  |     | UD00EBD028 | WASHER                        | 1   |     |         |           |        |
| 055  |     | UD00EBD027 | EJECTION PLUG                 | 1   |     |         |           |        |
| 056  |     | UD00EBD026 | COMPRESSION SPRING            | 1   |     |         |           |        |
| 057  |     | UD00EIB528 | SPINDLE                       | 1   |     |         |           |        |
| 058  |     | UD00EBD025 | BALL BEARING 6904 2RS         | 1   |     |         |           |        |
| 059  |     | UD00EBD020 | OIL SEAL                      | 1   |     |         |           |        |
| 060  |     | UD00EBD022 | TAPPING SCREW 4.8X60          | 4   |     |         |           |        |
| 061  |     | UD00EBD021 | GEAR CASE                     | 1   |     |         |           |        |
| 062  |     | UD00EBD020 | OIL SEAL                      | 1   |     |         |           |        |
| 063  |     | UD00UDC004 | BALL BEARING 6003 2RS         | 1   |     |         |           |        |
| 064  |     | UD00EBD019 | SPINDLE GEAR                  | 1   |     |         |           |        |
| 065  |     | UD000M1019 | KEY                           | 1   |     |         |           |        |

Interchange  
O : Yes  
X : No  
< : the new part can be substituted for the current.  
> : the current part can be substituted for the new.  
S : Interchangeable as a set.

