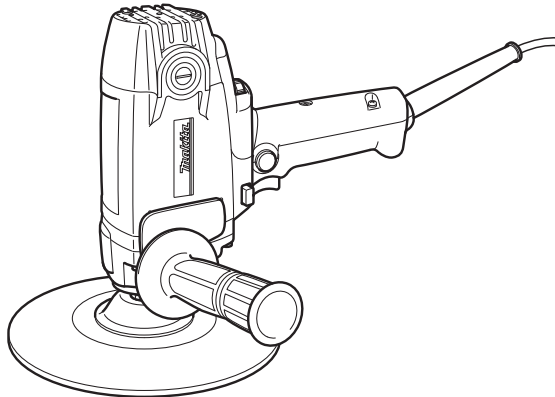
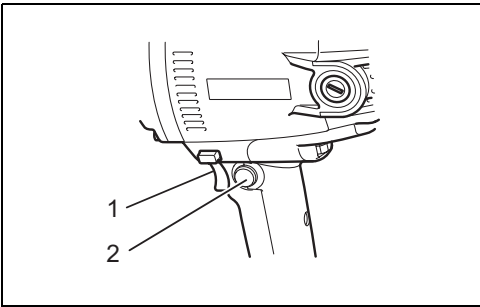




<b>GB</b>	Disc Sander Electronic Disc Sander	Instruction manual
<b>ID</b>	Mesin Ampelas Cakram Mesin Ampelas Cakram Elektronik	Petunjuk penggunaan
<b>VI</b>	Máy Chà Nhám Đĩa Cầm Tay Hoạt Động Bằng Động Cơ Điện	Tài liệu hướng dẫn
<b>TH</b>	เครื่องขัดแบบจาน เครื่องขัดไฟฟ้าแบบจาน	คู่มือการใช้งาน

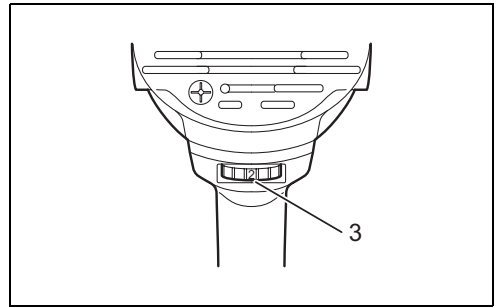
**GV7000**  
**GV7000C**





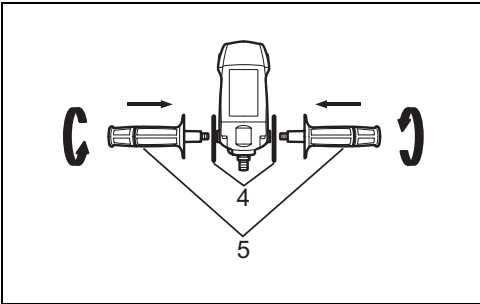
1

003407



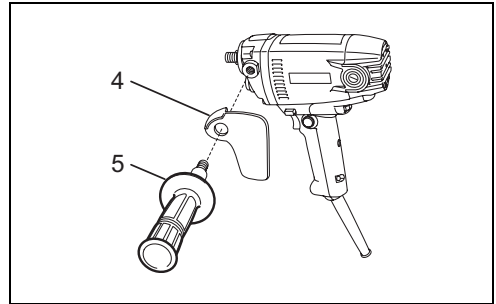
2

003408



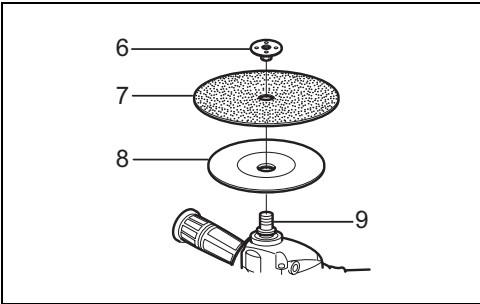
3

003412



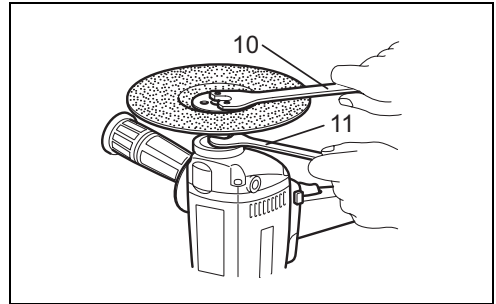
4

003413



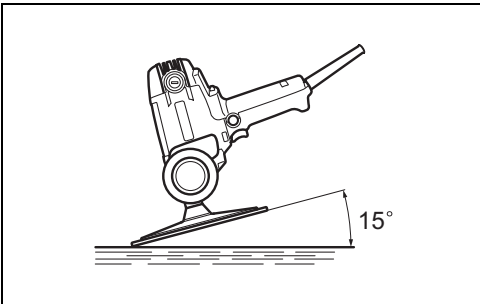
5

003414



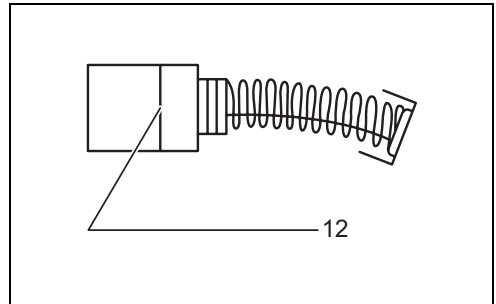
6

003418



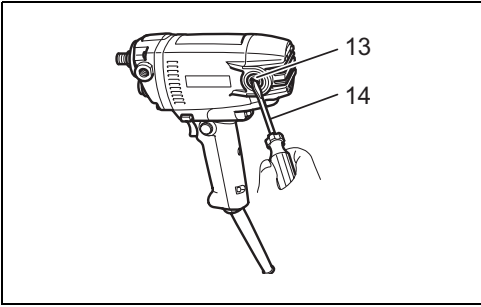
7

003421



8

001145



9

003423

**Explanation of general view**

- |                         |                     |                      |
|-------------------------|---------------------|----------------------|
| 1. Switch trigger       | 6. Lock nut         | 11. Wrench           |
| 2. Lock button          | 7. Abrasive disc    | 12. Limit mark       |
| 3. Speed adjusting dial | 8. Rubber pad       | 13. Brush holder cap |
| 4. Cover                | 9. Spindle          | 14. Screwdriver      |
| 5. Side grip            | 10. Lock nut wrench |                      |

**SPECIFICATIONS**

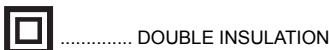
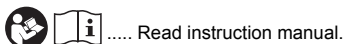
Model	GV7000	GV7000C
Abrasive disc diameter	180 mm	
Rated speed (n)/No load speed (n <sub>0</sub> )	4,700 min <sup>-1</sup>	4,700 min <sup>-1</sup>
Overall length	210 mm	
Net weight	2.1 kg	
Safety class	□/II	

- Due to our continuing program of research and development, the specifications herein are subject to change without notice.
- Specifications may differ from country to country.
- Weight according to EPTA-Procedure 01/2003

END202-8

**Symbols**

The following show the symbols used for the equipment. Be sure that you understand their meaning before use.



ENE052-1

**Intended use**

The tool is intended for the sanding of large surface of wood, plastic and metal materials as well as painted surfaces.

ENF002-2

**Power supply**

The tool should be connected only to a power supply of the same voltage as indicated on the nameplate, and can only be operated on single-phase AC supply. They are double-insulated and can, therefore, also be used from sockets without earth wire.

GEA005-3

**General Power Tool Safety Warnings**

**⚠ WARNING Read all safety warnings and all instructions.** Failure to follow the warnings and instructions may result in electric shock, fire and/or serious injury.

**Save all warnings and instructions for future reference.**

The term “power tool” in the warnings refers to your mains-operated (corded) power tool or battery-operated (cordless) power tool.

**Work area safety**

1. **Keep work area clean and well lit.** Cluttered or dark areas invite accidents.
2. **Do not operate power tools in explosive atmospheres, such as in the presence of flammable liquids, gases or dust.** Power tools create sparks which may ignite the dust or fumes.
3. **Keep children and bystanders away while operating a power tool.** Distractions can cause you to lose control.

**Electrical safety**

4. **Power tool plugs must match the outlet. Never modify the plug in any way. Do not use any adapter plugs with earthed (grounded) power tools.** Unmodified plugs and matching outlets will reduce risk of electric shock.
5. **Avoid body contact with earthed or grounded surfaces such as pipes, radiators, ranges and refrigerators.** There is an increased risk of electric shock if your body is earthed or grounded.
6. **Do not expose power tools to rain or wet conditions.** Water entering a power tool will increase the risk of electric shock.
7. **Do not abuse the cord. Never use the cord for carrying, pulling or unplugging the power tool. Keep cord away from heat, oil, sharp edges or moving parts.** Damaged or entangled cords increase the risk of electric shock.
8. **When operating a power tool outdoors, use an extension cord suitable for outdoor use.** Use of a

cord suitable for outdoor use reduces the risk of electric shock.

9. **If operating a power tool in a damp location is unavoidable, use a residual current device (RCD) protected supply.** Use of an RCD reduces the risk of electric shock.
10. **Use of power supply via a RCD with a rated residual current of 30mA or less is always recommended.**

#### Personal safety

11. **Stay alert, watch what you are doing and use common sense when operating a power tool. Do not use a power tool while you are tired or under the influence of drugs, alcohol or medication.** A moment of inattention while operating power tools may result in serious personal injury.
12. **Use personal protective equipment. Always wear eye protection.** Protective equipment such as dust mask, non-skid safety shoes, hard hat, or hearing protection used for appropriate conditions will reduce personal injuries.
13. **Prevent unintentional starting. Ensure the switch is in the off-position before connecting to power source and/or battery pack, picking up or carrying the tool.** Carrying power tools with your finger on the switch or energising power tools that have the switch on invites accidents.
14. **Remove any adjusting key or wrench before turning the power tool on.** A wrench or a key left attached to a rotating part of the power tool may result in personal injury.
15. **Do not overreach. Keep proper footing and balance at all times.** This enables better control of the power tool in unexpected situations.
16. **Dress properly. Do not wear loose clothing or jewellery. Keep your hair, clothing, and gloves away from moving parts.** Loose clothes, jewellery or long hair can be caught in moving parts.
17. **If devices are provided for the connection of dust extraction and collection facilities, ensure these are connected and properly used.** Use of dust collection can reduce dust-related hazards.

#### Power tool use and care

18. **Do not force the power tool. Use the correct power tool for your application.** The correct power tool will do the job better and safer at the rate for which it was designed.
19. **Do not use the power tool if the switch does not turn it on and off.** Any power tool that cannot be controlled with the switch is dangerous and must be repaired.
20. **Disconnect the plug from the power source and/or the battery pack from the power tool before making any adjustments, changing accessories, or storing power tools.** Such preventive safety measures reduce the risk of starting the power tool accidentally.
21. **Store idle power tools out of the reach of children and do not allow persons unfamiliar with the power tool or these instructions to operate the power tool.** Power tools are dangerous in the hands of untrained users.

22. **Maintain power tools. Check for misalignment or binding of moving parts, breakage of parts and any other condition that may affect the power tool's operation. If damaged, have the power tool repaired before use.** Many accidents are caused by poorly maintained power tools.
23. **Keep cutting tools sharp and clean.** Properly maintained cutting tools with sharp cutting edges are less likely to bind and are easier to control.
24. **Use the power tool, accessories and tool bits etc. in accordance with these instructions, taking into account the working conditions and the work to be performed.** Use of the power tool for operations different from those intended could result in a hazardous situation.

#### Service

25. **Have your power tool serviced by a qualified repair person using only identical replacement parts.** This will ensure that the safety of the power tool is maintained.
26. **Follow instruction for lubricating and changing accessories.**
27. **Keep handles dry, clean and free from oil and grease.**

GEB036-5

## DISC SANDER SAFETY WARNINGS

#### Safety Warnings Common for Sanding Operation:

1. **This power tool is intended to function as a sander. Read all safety warnings, instructions, illustrations and specifications provided with this power tool.** Failure to follow all instructions listed below may result in electric shock, fire and/or serious injury.
2. **Operations such as grinding, wire brushing, polishing or cutting-off are not recommended to be performed with this power tool.** Operations for which the power tool was not designed may create a hazard and cause personal injury.
3. **Do not use accessories which are not specifically designed and recommended by the tool manufacturer.** Just because the accessory can be attached to your power tool, it does not assure safe operation.
4. **The rated speed of the accessory must be at least equal to the maximum speed marked on the power tool.** Accessories running faster than their rated speed can break and fly apart.
5. **The outside diameter and the thickness of your accessory must be within the capacity rating of your power tool.** Incorrectly sized accessories cannot be adequately guarded or controlled.
6. **Threaded mounting of accessories must match the tool spindle thread. For accessories mounted by flanges, the arbour hole of the accessory must fit the locating diameter of the flange.** Accessories that do not match the mounting hardware of the power tool will run out of balance, vibrate excessively and may cause loss of control.
7. **Do not use a damaged accessory. Before each use inspect the accessory such as backing pad for cracks, tear or excess wear. If power tool or**

- accessory is dropped, inspect for damage or install an undamaged accessory. After inspecting and installing an accessory, position yourself and bystanders away from the plane of the rotating accessory and run the power tool at maximum no-load speed for one minute. Damaged accessories will normally break apart during this test time.
8. **Wear personal protective equipment.** Depending on application, use face shield, safety goggles or safety glasses. As appropriate, wear dust mask, hearing protectors, gloves and workshop apron capable of stopping small abrasive or workpiece fragments. The eye protection must be capable of stopping flying debris generated by various operations. The dust mask or respirator must be capable of filtering particles generated by your operation. Prolonged exposure to high intensity noise may cause hearing loss.
  9. **Keep bystanders a safe distance away from work area.** Anyone entering the work area must wear personal protective equipment. Fragments of workpiece or of a broken accessory may fly away and cause injury beyond immediate area of operation.
  10. **Position the cord clear of the spinning accessory.** If you lose control, the cord may be cut or snagged and your hand or arm may be pulled into the spinning accessory.
  11. **Never lay the power tool down until the accessory has come to a complete stop.** The spinning accessory may grab the surface and pull the power tool out of your control.
  12. **Do not run the power tool while carrying it at your side.** Accidental contact with the spinning accessory could snag your clothing, pulling the accessory into your body.
  13. **Regularly clean the power tool's air vents.** The motor's fan will draw the dust inside the housing and excessive accumulation of powdered metal may cause electrical hazards.
  14. **Do not operate the power tool near flammable materials.** Sparks could ignite these materials.
  15. **Do not use accessories that require liquid coolants.** Using water or other liquid coolants may result in electrocution or shock.
- b) **Never place your hand near the rotating accessory.** Accessory may kickback over your hand.
  - c) **Do not position your body in the area where power tool will move if kickback occurs.** Kickback will propel the tool in direction opposite to the wheel's movement at the point of snagging.
  - d) **Use special care when working corners, sharp edges etc. Avoid bouncing and snagging the accessory.** Corners, sharp edges or bouncing have a tendency to snag the rotating accessory and cause loss of control or kickback.
  - e) **Do not attach a saw chain woodcarving blade or toothed saw blade.** Such blades create frequent kickback and loss of control.

#### Safety Warnings Specific for Sanding Operations:

- a) **Do not use excessively oversized sanding disc paper. Follow manufacturers recommendations, when selecting sanding paper.** Larger sanding paper extending beyond the sanding pad presents a laceration hazard and may cause snagging, tearing of the disc or kickback.

#### Additional Safety Warnings:

16. **Some material contains chemicals which may be toxic. Take caution to prevent dust inhalation and skin contact. Follow material supplier safety data.**
17. **Ventilate your work area adequately when you perform sanding operations.**
18. **Use of this tool to sand some products, paints and wood could expose user to dust containing hazardous substances. Use appropriate respiratory protection.**
19. **Make sure the abrasive disc is not contacting the workpiece before the switch is turned on.**
20. **Do not leave the tool running. Operate the tool only when hand-held.**
21. **Do not touch the workpiece immediately after operation; it may be extremely hot and could burn your skin.**
22. **Check that the workpiece is properly supported.**
23. **If working place is extremely hot and humid, or badly polluted by conductive dust, use a short-circuit breaker (30 mA) to assure operator safety.**
24. **Do not use the tool on any materials containing asbestos.**

## SAVE THESE INSTRUCTIONS.

### WARNING:

**DO NOT** let comfort or familiarity with product (gained from repeated use) replace strict adherence to safety rules for the subject product. **MISUSE** or failure to follow the safety rules stated in this instruction manual may cause serious personal injury.

#### Kickback and Related Warnings

Kickback is a sudden reaction to a pinched or snagged rotating wheel, backing pad, brush or any other accessory. Pinching or snagging causes rapid stalling of the rotating accessory which in turn causes the uncontrolled power tool to be forced in the direction opposite of the accessory's rotation at the point of the binding.

Kickback is the result of power tool misuse and/or incorrect operating procedures or conditions and can be avoided by taking proper precautions as given below.

- a) **Maintain a firm grip on the power tool and position your body and arm to allow you to resist kickback forces. Always use auxiliary handle, if provided, for maximum control over kickback or torque reaction during start-up.** The operator can control torque reactions or kickback forces, if proper precautions are taken.

## FUNCTIONAL DESCRIPTION

### ⚠ CAUTION:

- Always be sure that the tool is switched off and unplugged before adjusting or checking function on the tool.

### Switch action (Fig. 1)

#### ⚠ CAUTION:

- Before plugging in the tool, always check to see that the switch trigger actuates properly and returns to the "OFF" position when released.
- Switch can be locked in "ON" position for ease of operator comfort during extended use. Apply caution when locking tool in "ON" position and maintain firm grasp on tool.

To start the tool, simply pull the switch trigger. Release the switch trigger to stop.

For continuous operation, pull the switch trigger and then push in the lock button.

To stop the tool from the locked position, pull the switch trigger fully, then release it.

### Speed adjusting dial (Fig. 2)

The tool speed can be changed by turning the speed adjusting dial to a given number setting from 1 to 5. Higher speed is obtained when the dial is turned in the direction of number 5. And lower speed is obtained when it is turned in the direction of number 1.

Refer to the table for the relationship between the number settings on the dial and the approximate tool speed.

Number	PRM (/min)
1	2,500
2	2,800
3	3,500
4	4,200
5	4,700

006385

### ⚠ CAUTION:

- If the tool is operated continuously at low speeds for a long time, the motor will get overloaded and heated up.
- The speed adjusting dial can be turned only as far as 5 and back to 1. Do not force it past 5 or 1, or the speed adjusting function may no longer work.

The tools equipped with electronic function are easy to operate because of the following features.

#### Constant speed control

Electronic speed control for obtaining constant speed. Possible to get fine finish, because the rotating speed is kept constant even under load condition.

#### Soft start feature

Safety and soft start because of suppressed starting shock.

## ASSEMBLY

### ⚠ CAUTION:

- Always be sure that the tool is switched off and unplugged before carrying out any work on the tool.

### Installing side grip (auxiliary handle) & cover (Fig. 3 & Fig. 4)

#### ⚠ CAUTION:

- Always be sure that the side grip is installed securely before operation.

Install the cover, then screw the side grip on the tool securely. The side grip and the cover can be installed on either side of the tool.

### Installing or removing abrasive disc

Mount the rubber pad onto the spindle. Fit the abrasive disc on the rubber pad and screw the lock nut onto the spindle. (Fig. 5)

To tighten the lock nut, hold the spindle with the wrench so that it cannot revolve, then use the lock nut wrench and securely tighten clockwise. (Fig. 6)

To remove the disc, follow the installation procedure in reverse.

## OPERATION

### Sanding operation (Fig. 7)

#### ⚠ CAUTION:

- Always wear safety goggles or a face shield during operation.
- Never run the tool without the abrasive disc. You may seriously damage the pad.

Hold the tool firmly. Turn the tool on and then apply the abrasive disc to the workpiece.

In general, keep the abrasive disc at an angle of about 15 degrees to the workpiece surface. Apply slight pressure only. Excessive pressure will result in poor performance and premature wear to abrasive disc.

## MAINTENANCE

### ⚠ CAUTION:

- Always be sure that the tool is switched off and unplugged before attempting to perform inspection or maintenance.
- Never use gasoline, benzine, thinner, alcohol or the like. Discoloration, deformation or cracks may result.

### Replacing carbon brushes

Remove and check the carbon brushes regularly. Replace when they wear down to the limit mark. Keep the carbon brushes clean and free to slip in the holders. Both carbon brushes should be replaced at the same time. Use only identical carbon brushes. (Fig. 8)

Use a screwdriver to remove the brush holder caps. Take out the worn carbon brushes, insert the new ones and secure the brush holder caps. (Fig. 9)

To maintain product SAFETY and RELIABILITY, repairs, any other maintenance or adjustment should be performed by Makita Authorized or Factory Service Centers, always using Makita replacement parts.

## OPTIONAL ACCESSORIES

### CAUTION:

- These accessories or attachments are recommended for use with your Makita tool specified in this manual. The use of any other accessories or attachments might present a risk of injury to persons. Only use accessory or attachment for its stated purpose.

If you need any assistance for more details regarding these accessories, ask your local Makita Service Center.

- Rubber pad
- Abrasive discs
- Lock nut
- Wrench 17
- Lock nut wrench 28

### NOTE:

- Some items in the list may be included in the tool package as standard accessories. They may differ from country to country.



**Penjelasan tampilan keseluruhan**

- |                              |                             |                        |
|------------------------------|-----------------------------|------------------------|
| 1. Saklar pemacu             | 6. Mur kunci                | 11. Kunci pas          |
| 2. Tombol kunci              | 7. Cakram abrasif           | 12. Tanda batas        |
| 3. Saklar penyetel kecepatan | 8. Bantalan karet           | 13. Tutup tempat sikat |
| 4. Tutup                     | 9. Spindel                  | 14. Obeng              |
| 5. Gagang sisi               | 10. Kunci pas baut pengunci |                        |

**SPEKIFIKASI**

Model	GV7000	GV7000C
Diameter cakram abrasif	180 mm	
Kecepatan terukur (n)/ Kecepatan tanpa beban (n <sub>0</sub> )	4.700 min <sup>-1</sup>	4.700 min <sup>-1</sup>
Panjang keseluruhan	210 mm	
Berat bersih	2,1 kg	
Kelas keamanan	□/II	

- Karena kesinambungan program penelitian dan pengembangan kami, spesifikasi yang disebutkan di sini dapat berubah tanpa pemberitahuan.
- Spesifikasi dapat berbeda dari satu negara ke negara lainnya.
- Berat menurut Prosedur EPTA 01/2003

END202-8

**Simbol**

Berikut ini adalah simbol-simbol yang digunakan pada peralatan ini. Pastikan Anda mengerti makna masing-masing simbol sebelum menggunakan alat.



..... Baca petunjuk penggunaan.



..... ISOLASI GANDA



..... Gunakan kaca mata pengaman.

ENE052-1

**Penggunaan**

Mesin ini digunakan untuk mengampelas permukaan yang luas pada bahan kayu, plastik dan logam serta permukaan yang dicat.

ENF002-2

**Pasokan daya**

Mesin harus terhubung dengan pasokan daya listrik yang bervoltase sama dengan yang tertera pada pelat nama, dan hanya dapat dijalankan dengan listrik AC fase tunggal. Mesin diisolasi ganda dan oleh sebab itu dapat dihubungkan dengan soket tanpa arde.

GEA005-3

**Peringatan Keselamatan Umum Mesin Listrik**

**⚠ PERINGATAN Bacalah semua peringatan keselamatan dan semua petunjuk.** Kelalaian mematuhi peringatan dan petunjuk dapat menyebabkan sengatan listrik, kebakaran dan/atau cedera serius.

**Simpanlah semua peringatan dan petunjuk untuk acuan di masa depan.**

Istilah “mesin listrik” dalam semua peringatan mengacu pada mesin listrik yang dijalankan dengan sumber listrik jala-jala (berkabel) atau baterai (tanpa kabel).

**Keselamatan tempat kerja**

1. **Jaga tempat kerja selalu bersih dan berpenerangan cukup.** Tempat kerja yang berantakan dan gelap mengundang kecelakaan.
2. **Jangan gunakan mesin listrik dalam lingkungan yang mudah meledak, misalnya jika ada cairan, gas, atau debu yang mudah menyala.** Mesin listrik menimbulkan bunga api yang dapat menyalakan debu atau uap tersebut.
3. **Jauhkan anak-anak dan orang lain saat menggunakan mesin listrik.** Bila perhatian terpecah, anda dapat kehilangan kendali.

**Keamanan kelistrikan**

4. **Steker mesin listrik harus cocok dengan stopkontak. Jangan sekali-kali mengubah steker dengan cara apa pun. Jangan menggunakan steker adaptor dengan mesin listrik berarde (dibumikan).** Steker yang tidak diubah dan stopkontak yang cocok akan mengurangi risiko sengatan listrik.
5. **Hindari sentuhan tubuh dengan permukaan berarde atau yang dibumikan seperti pipa, radiator, kompor, dan kulkas.** Risiko sengatan listrik bertambah jika tubuh Anda terbumikan atau terarde.
6. **Jangan membiarkan mesin listrik kejujuran atau kebasahan.** Air yang masuk ke dalam mesin listrik akan meningkatkan risiko sengatan listrik.
7. **Jangan menyalahgunakan kabel. Jangan sekali-kali menggunakan kabel untuk membawa,**

**menarik, atau mencabut mesin listrik dari stopkontak. Jauhkan kabel dari panas, minyak, tepian tajam, atau bagian yang bergerak.** Kabel yang rusak atau kusut memperbesar risiko sengatan listrik.

8. **Bila menggunakan mesin listrik di luar ruangan, gunakan kabel ekstensi yang sesuai untuk penggunaan di luar ruangan.** Penggunaan kabel yang sesuai untuk penggunaan luar ruangan mengurangi risiko sengatan listrik.
9. **Jika mengoperasikan mesin listrik di lokasi lembap tidak terhindarkan, gunakan pasokan daya yang dilindungi peranti imbasan arus (residual current device - RCD).** Penggunaan RCD mengurangi risiko sengatan listrik.
10. **Penggunaan pasokan daya melalui RCD dengan kapasitas arus sisa 30 mA atau kurang selalu dianjurkan.**

#### **Keselamatan diri**

11. **Jaga kewaspadaan, perhatikan pekerjaan Anda dan gunakan akal sehat bila menggunakan mesin listrik.** Jangan menggunakan mesin listrik saat Anda lelah atau di bawah pengaruh obat bius, alkohol, atau obat. Sekejaap saja lalai saat menggunakan mesin listrik dapat menyebabkan cedera diri yang serius.
12. **Gunakan alat pelindung diri. Selalu gunakan pelindung mata.** Peralatan pelindung seperti masker debu, sepatu pengaman anti-selip, helm pengaman, atau pelindung telinga yang digunakan untuk kondisi yang sesuai akan mengurangi risiko cedera diri.
13. **Cegah penyalaan yang tidak disengaja. Pastikan bahwa sakelar berada dalam posisi mati (off) sebelum menghubungkan mesin ke sumber daya dan/atau baterai, atau mengangkat atau membawanya.** Membawa mesin listrik dengan jari Anda pada sakelarnya atau mengalirkan listrik pada mesin listrik yang sakelarnya hidup (on) akan mengundang kecelakaan.
14. **Lepaskan kunci-kunci penyetel sebelum menghidupkan mesin listrik.** Kunci-kunci yang masih terpasang pada bagian mesin listrik yang berputar dapat menyebabkan cedera.
15. **Jangan meraih terlalu jauh. Jagalah pijakan dan keseimbangan sepanjang waktu.** Hal ini memungkinkan kendali yang lebih baik atas mesin listrik dalam situasi yang tidak diharapkan.
16. **Kenakan pakaian dengan baik. Jangan memakai pakaian yang kedodoran atau perhiasan. Jaga jarak antara rambut, pakaian, dan sarung tangan Anda dengan bagian mesin yang bergerak.** Pakaian kedodoran, perhiasan, atau rambut panjang dapat tersangkut pada bagian yang bergerak.
17. **Jika tersedia fasilitas untuk menghisap dan mengumpulkan debu, pastikan fasilitas tersebut terhubung listrik dan digunakan dengan baik.** Penggunaan pembersih debu dapat mengurangi bahaya yang terkait dengan debu.

#### **Penggunaan dan pemeliharaan mesin listrik**

18. **Jangan memaksa mesin listrik. Gunakan mesin listrik yang tepat untuk keperluan Anda.** Mesin listrik yang tepat akan menuntaskan pekerjaan

dengan lebih baik dan aman pada kecepatan sesuai rancangannya.

19. **Jangan gunakan mesin listrik jika sakelar tidak dapat menyalaikan dan mematkannya.** Mesin listrik yang tidak dapat dikendalikan dengan sakelarnya adalah berbahaya dan harus diperbaiki.
  20. **Cabut steker dari sumber listrik dan/atau baterai dari mesin listrik sebelum melakukan penyetelan, penggantian aksesoris, atau menyimpan mesin listrik.** Langkah keselamatan preventif tersebut mengurangi risiko hidupnya mesin secara tak sengaja.
  21. **Simpan mesin listrik jauh dari jangkauan anak-anak dan jangan biarkan orang yang tidak paham mengenai mesin listrik tersebut atau petunjuk ini menggunakan mesin listrik.** Mesin listrik sangat berbahaya di tangan pengguna yang tak terlatih.
  22. **Rawatlah mesin listrik. Periksa apakah ada bagian bergerak yang tidak lurus atau macet, bagian yang pecah dan kondisi lain yang dapat mempengaruhi penggunaan mesin listrik.** Jika rusak, perbaiki dahulu mesin listrik sebelum digunakan. Banyak kecelakaan disebabkan oleh kurangnya pemeliharaan mesin listrik.
  23. **Jaga agar mesin pemotong tetap tajam dan bersih.** Mesin pemotong yang terawat baik dengan mata pemotong yang tajam tidak mudah macet dan lebih mudah dikendalikan.
  24. **Gunakan mesin listrik, aksesoris, dan mata mesin, dll. sesuai dengan petunjuk ini, dengan memperhitungkan kondisi kerja dan jenis pekerjaan yang dilakukan.** Penggunaan mesin listrik untuk penggunaan yang lain dari peruntukan dapat menimbulkan situasi berbahaya.
- Servis**
25. **Berikan mesin listrik untuk diperbaiki hanya kepada oleh teknisi yang berkualifikasi dengan menggunakan hanya suku cadang pengganti yang serupu.** Hal ini akan menjamin terjaganya keamanan mesin listrik.
  26. **Patuhi petunjuk pelumasan dan penggantian aksesoris.**
  27. **Jagalah agar gagang kering, bersih, dan bebas dari minyak dan gemuk.**

GEB036-5

## **PERINGATAN KESELAMATAN MESIN AMPELAS CAKRAM**

### **Peringatan Keselamatan Umum untuk Pekerjaan Pengampelasan:**

1. **Mesin listrik ini berfungsi sebagai mesin ampelas. Bacalah semua peringatan keselamatan, petunjuk, ilustrasi dan spesifikasi yang tersedia bersama mesin listrik ini.** Kelalaian mematuhi semua petunjuk yang tercantum di bawah ini dapat menyebabkan sengatan listrik, kebakaran dan/atau cedera serius.
2. **Tidak dianjurkan menggunakan mesin listrik ini untuk melakukan pekerjaan seperti menggerinda, menyikat dengan kawat, memoles atau memotong.** Pekerjaan di mana mesin listrik tersebut tidak dirancang untuk itu bisa menimbulkan bahaya dan menyebabkan cedera diri.

3. **Jangan gunakan aksesoris yang tidak dirancang secara khusus dan dianjurkan oleh pabrikan mesin.** Hanya karena aksesoris tersebut bisa dipasang pada mesin listrik Anda, bukan berarti menjamin keselamatan dalam pengoperasian.
  4. **Kecepatan terukur pada aksesoris setidaknya harus sama dengan kecepatan maksimum yang tertera pada mesin listrik.** Aksesoris yang bekerja lebih cepat dari kecepatan terukurnya bisa saja pecah dan terlempar.
  5. **Diameter luar dan tebal aksesoris Anda harus berada dalam nilai kapasitas mesin listrik Anda.** Aksesoris dengan ukuran yang tidak tepat tidak bisa terlindung atau terkendali secara memadai.
  6. **Pemasangan aksesoris berulir harus sesuai dengan ulir spindel mesin. Untuk aksesoris yang dipasang menggunakan flensa, lubang arbor pada aksesoris harus cocok dengan diameter tempat pemasangan pada flensa.** Aksesoris arbor yang tidak sesuai dengan perangkat keras pemasangan mesin listrik akan bekerja tidak seimbang, bergetar secara berlebihan dan dapat menyebabkan hilangnya kendali.
  7. **Jangan menggunakan aksesoris yang rusak. Sebelum digunakan, selalu periksa aksesoris seperti bantalan belakang akan adanya keretakan, pecah atau keausan yang berlebihan. Bila mesin listrik atau aksesoris jatuh, periksa akan adanya kerusakan atau pasang aksesoris yang tidak rusak. Setelah memeriksa dan memasang aksesoris, posisikan diri Anda dan orang di sekitar jauh dari bidang aksesoris yang berputar dan jalankan mesin listrik pada kecepatan maksimum tanpa beban selama satu menit.** Aksesoris yang rusak secara normal akan pecah selama waktu pengujian ini.
  8. **Kenakan alat pelindung diri. Tergantung pekerjaannya, gunakan pelindung muka, kaca mata pelindung atau kaca mata pengaman. Sesuai dengan pekerjaannya, kenakan masker debu, pelindung telinga, sarung tangan dan apron bengkel yang mampu menahan debu gerinda atau serpihan benda kerja.** Pelindung mata harus mampu menahan debu yang beterbangan, yang ditimbulkan dari berbagai jenis pekerjaan. Masker debu atau alat pernafasan harus mampu menyaring partikel yang dihasilkan dari pekerjaan Anda. Terpaan yang berkepanjangan terhadap kebisingan berintensitas tinggi bisa menyebabkan hilangnya pendengaran.
  9. **Jaga agar orang di sekitar berada dalam jarak aman yang jauh dari area kerja. Siapa pun yang masuk ke area kerja harus mengenakan alat pelindung diri.** Potongan benda kerja atau dari aksesoris yang rusak bisa saja terlempar dan menyebabkan cedera di area yang dekat dengan pekerjaan.
  10. **Posisikan kabel agar tidak terkena aksesoris yang berputar.** Jika Anda kehilangan kendali, kabel bisa saja terpotong atau tersangkut dan tangan atau lengan Anda mungkin saja tertarik oleh aksesoris yang berputar.
  11. **Jangan sekali-kali meletakkan mesin listrik sampai aksesorinya benar-benar berhenti.** Aksesoris yang berputar bisa menyambar permukaan dan menarik mesin listrik di luar kendali Anda.
  12. **Jangan menyalakan mesin listrik sambil membawanya di sisi badan Anda.** Sentuhan yang tidak disengaja oleh aksesoris yang berputar bisa merobek pakaian Anda, yang akan menarik aksesoris ke arah badan Anda.
  13. **Bersihkan ventilasi udara mesin listrik secara rutin.** Kipas motor akan menarik debu ke dalam rumah dan serbuk logam yang terkumpul secara berlebihan bisa menyebabkan bahaya listrik.
  14. **Jangan mengoperasikan mesin listrik di dekat bahan yang mudah terbakar.** Bunga api bisa membuat bahan tersebut menyala.
  15. **Jangan menggunakan aksesoris yang membutuhkan cairan pendingin.** Menggunakan air atau cairan pendingin lain bisa mengakibatkan kematian akibat sengatan listrik.
- Hentikan balik dan Peringatan Terkait**  
Hentikan balik merupakan reaksi tiba-tiba akibat terjepit atau tersangkutnya roda yang berputar, bantalan belakang, sikat atau aksesoris lainnya. Kondisi terjepit atau tersangkut akan menyebabkan aksesoris yang berputar akan berhenti dengan cepat yang kemudian berubah mengakibatkan terdorongnya mesin listrik yang tak terkendali ke arah yang berlawanan dengan putaran aksesoris di titik tempat aksesoris tersebut terjepit. Hentikan balik merupakan akibat dari salah cara menggunakan mesin listrik dan/atau prosedur atau kondisi pengoperasian yang salah dan dapat dihindari dengan melakukan tindakan kewaspadaan yang tepat sebagaimana diuraikan di bawah ini.
- a) **Pertahankan genggaman yang kuat pada mesin listrik serta posisi badan dan lengan Anda agar memungkinkan Anda untuk menahan gaya hentikan balik. Selalu gunakan pegangan tambahan, bila tersedia, untuk mengendalikan hentikan balik atau reaksi torsi secara maksimum selama penyalakan awal.** Operator dapat mengendalikan reaksi torsi itu atau gaya hentikan balik, bila dilakukan tindakan kewaspadaan yang tepat.
  - b) **Jangan sekali-kali memosisikan tangan Anda di dekat aksesoris yang berputar.** Aksesoris bisa saja menghentak balik ke arah tangan Anda.
  - c) **Jangan memosisikan badan Anda di area tempat mesin listrik akan bergerak bila terjadi hentikan balik.** Hentikan balik akan memutar mesin dalam arah yang berlawanan dengan gerakan roda di titik tempat roda tersebut tersangkut.
  - d) **Sangatlah berhati-hati saat bekerja di area sudut, tepi yang tajam dsb. Hindari jangan sampai aksesoris memantul atau tersangkut.** Area sudut, tepi yang tajam atau pantulan cenderung membuat aksesoris yang berputar akan tersangkut dan menyebabkan kehilangan kendali atau timbulnya hentikan balik.
  - e) **Jangan memasang mata gergaji rantai atau mata gergaji bergerigi.** Mata mesin seperti itu menghasilkan hentikan balik secara berkali-kali dan menyebabkan kehilangan kendali.

## Peringatan Keselamatan Khusus untuk Pekerjaan Pengampelasan:

- a) **Jangan menggunakan kertas cakram ampelas yang ukurannya terlalu besar. Ikuti anjuran pabrik saat memilih kertas ampelas.** Kertas ampelas yang lebih besar melebihi bantalan ampelas akan menimbulkan bahaya cedera dan bisa menyebabkan tersangkut, pecahnya cakram atau terjadinya hentakan balik.

## Peringatan Keselamatan Tambahan:

16. **Bahan tertentu mengandung zat kimia yang mungkin beracun. Hindari menghirup debu dan persentuhan dengan kulit. Ikuti data keselamatan bahan dari pemasok.**
17. **Beri ruang udara secukupnya ketika Anda melakukan pekerjaan pengampelasan.**
18. **Penggunaan mesin ini untuk mengampelas produk, cat dan kayu bisa menyebabkan pengguna menghirup debu yang mengandung zat-zat berbahaya. Gunakan alat pelindung pernafasan yang sesuai.**
19. **Pastikan bahwa cakram abrasif tidak menyentuh benda kerja sebelum saklar dinyalakan.**
20. **Jangan tinggalkan mesin dalam keadaan hidup. Jalankan mesin hanya ketika digenggam tangan.**
21. **Jangan menyentuh benda kerja segera setelah pengoperasian; suhunya mungkin masih sangat panas dan dapat membakar kulit Anda.**
22. **Periksa apakah benda kerja telah ditahan dengan baik.**
23. **Jika tempat kerja sangat panas dan lembap, sangat kotor oleh debu konduktif, gunakan pemutus daya (30 mA) untuk menjamin keselamatan operator.**
24. **Jangan menggunakan mesin pada bahan yang mengandung asbestos.**

## SIMPAN PETUNJUK INI.

### ⚠ PERINGATAN:

**JANGAN** biarkan kenyamanan atau terbiasanya Anda dengan produk (karena penggunaan berulang) menggantikan kepatuhan yang ketat terhadap aturan keselamatan untuk produk yang terkait.  
**PENYALAHGUNAAN** atau kelalaian mematuhi kaidah keselamatan yang tertera dalam petunjuk ini dapat menyebabkan cedera badan serius.

## DESKRIPSI FUNGSI

### ⚠ PERHATIAN:

- Selalu pastikan bahwa mesin dalam keadaan mati dan steker tercabut sebelum menyatel atau memeriksa kerja mesin.

### KERJA saklar (Gb. 1)

### ⚠ PERHATIAN:

- Sebelum memasukkan steker, selalu periksa apakah picu saklar berfungsi dengan baik dan kembali ke posisi "OFF" saat dilepas.
- Saklar bisa dikunci dalam posisi "ON" untuk memberi kenyamanan pada operator selama penggunaan terus-

menerus. Selalu berhati-hati ketika mengunci mesin dalam posisi "ON" dan pegang mesin kuat-kuat. Untuk menjalankan mesin, cukup tarik picu saklarnya. Lepaskan picu saklar untuk berhenti. Untuk penggunaan terus menerus, tarik picu saklar lalu tekan tombol kunci. Untuk membebaskan posisi terkunci, tarik picu saklar sampai penuh, lalu lepaskan.

## Saklar penyetel kecepatan (Gb. 2)

Kecepatan mesin bisa diubah dengan memutar saklar penyetel kecepatan ke setelan angka yang tersedia mulai dari 1 sampai 5.

Kecepatan yang lebih tinggi diperoleh jika saklar diputar ke arah angka 5. Dan kecepatan yang lebih rendah diperoleh jika diputar ke arah angka 1.

Silakan mengacu pada tabel tentang hubungan antara setelan angka pada saklar dan perkiraan kecepatan mesin.

Angka	PRM (/min)
1	2.500
2	2.800
3	3.500
4	4.200
5	4.700

006385

### ⚠ PERHATIAN:

- Jika mesin dijalankan secara terus-menerus dengan kecepatan rendah dalam waktu yang lama, motor akan mengalami kelebihan beban dan menjadi panas.
- Saklar penyetel kecepatan dapat diputar hanya sampai 5 dan kembali ke 1. Jangan dipaksa melewati 5 atau 1, atau penyetel kecepatan bisa tidak berfungsi lagi.

Mesin yang dilengkapi dengan fungsi elektronik mudah dioperasikan karena memiliki fitur-fitur berikut ini.

### Kontrol kecepatan konstan

Kontrol kecepatan elektronik untuk memperoleh kecepatan yang konstan. Memungkinkan untuk memperoleh pengerjaan akhir yang halus, karena kecepatan putaran dipertahankan secara konstan meskipun dalam kondisi di beri beban.

### Fitur awal pengerjaan yang lembut

Awal pengerjaan yang aman dan lembut karena adanya peredaman kejutan awal.

## PERAKITAN

### ⚠ PERHATIAN:

- Selalu pastikan bahwa mesin dalam keadaan mati dan steker tercabut sebelum melakukan pekerjaan apapun pada mesin.

## Cara memasang gagang sisi (pegangan tambahan) & tutup (Gb. 3 & Gb. 4)

### ⚠ PERHATIAN:

- Selalu pastikan bahwa gagang sisi terpasang dengan kuat sebelum penggunaan.

Pasang tutup, kemudian pasang gagang sisi pada mesin menggunakan sekrup dengan kuat. Gagang sisi dan tutupnya dapat dipasang pada salahsatu sisi mesin.

## Memasang atau melepas cakram abrasif

Pasang bantalan karet pada spindel. Pasang cakram abrasif pada bantalan karet dan kencangkan mur kunci pada spindel. **(Gb. 5)**

Untuk mengencangkan mur kunci, tahan spindel menggunakan kunci pas agar tidak berputar, kemudian gunakan kunci pas baut pengunci dan kencangkan kuat-kuat searah jarum jam. **(Gb. 6)**

Untuk melepas cakram, ikuti urutan terbalik dari prosedur pemasangan.

## PENGUNAAN

### Pekerjaan pengampelasan (Gb. 7)

#### ⚠ PERHATIAN:

- Selalu gunakan kaca mata pelindung atau pelindung muka selama pengoperasian.
- Jangan sekali-kali menyalakan mesin tanpa cakram abrasif. Anda dapat merusak bantalan dengan serius.

Pegang mesin kuat-kuat. Nyalakan mesin dan kemudian tekan cakram abrasif pada benda kerja.

Secara umum, pertahankan cakram abrasif pada sudut sekitar 15 derajat terhadap permukaan benda kerja. Beri tekanan sedikit saja. Tekanan yang berlebihan akan mengakibatkan menurunnya kinerja dan terjadinya keausan dini pada cakram abrasif.

## PERAWATAN

#### ⚠ PERHATIAN:

- Selalu pastikan bahwa mesin dimatikan dan steker dicabut sebelum melakukan pemeriksaan atau perawatan.
- Jangan sekali-kali menggunakan bensin, tiner, alkohol, atau bahan sejenisnya. Penggunaan bahan demikian dapat menyebabkan perubahan warna, perubahan bentuk atau timbulnya retakan.

### Mengganti sikat karbon

Lepas dan periksa sikat karbon secara teratur. Lepas ketika aus sampai tanda batas. Jaga agar sikat karbon tetap bersih dan tidak bergeser dari tempatnya. Kedua sikat karbon harus diganti pada waktu yang sama. Hanya gunakan sikat karbon yang sama. **(Gb. 8)**

Gunakan obeng untuk melepas tutup tempat sikat. Tarik keluar sikat karbon yang aus, masukkan yang baru dan pasang tutup tempat sikat. **(Gb. 9)**

Untuk menjaga KEAMANAN dan KEANDALAN mesin, perbaikan, perawatan atau penyetulan lain harus dilakukan oleh Pusat Layanan Resmi atau Pabrik Makita; selalu gunakan suku cadang pengganti buatan Makita.

## PILIHAN AKSESORI

#### ⚠ PERHATIAN:

- Dianjurkan untuk menggunakan aksesoris atau perangkat tambahan ini dengan mesin Makita Anda yang ditentukan dalam petunjuk ini. Penggunaan aksesoris atau perangkat tambahan lain bisa

menyebabkan risiko cedera pada manusia. Hanya gunakan aksesoris atau perangkat tambahan sesuai dengan peruntukannya.

Jika Anda memerlukan bantuan lebih rinci berkenaan dengan aksesoris ini, tanyakan pada Pusat Layanan Makita terdekat.

- Bantalan karet
- Cakram abrasif
- Mur kunci
- Kunci pas 17
- Kunci pas baut pengunci 28

#### CATATAN:

- Beberapa item dalam daftar tersebut mungkin sudah termasuk dalam paket mesin sebagai aksesoris standar. Hal tersebut dapat berbeda dari satu negara ke negara lainnya.

# TIẾNG VIỆT

## Giải thích về hình vẽ tổng thể

- |                           |                       |                   |
|---------------------------|-----------------------|-------------------|
| 1. Cần khởi động công tắc | 6. Đai ốc khóa        | 11. Cờ-lê         |
| 2. Nút khóa               | 7. Đĩa nhám           | 12. Vạch giới hạn |
| 3. Đĩa điều chỉnh tốc độ  | 8. Bộ tấm đệm cao su  | 13. Nắp giữ chốt  |
| 4. Nắp che                | 9. Trụ quay           | 14. Tuốc-nơ-vít   |
| 5. Tay cầm hồng           | 10. Cờ-lê khóa đai ốc |                   |

## THÔNG SỐ KỸ THUẬT

Kiểu	GV7000	GV7000C
Đường kính đĩa nhám	180 mm	
Tốc độ danh định (n)/Tốc độ không tải (n <sub>0</sub> )	4.700 phút <sup>-1</sup>	4.700 phút <sup>-1</sup>
Chiều dài tổng thể	210 mm	
Trọng lượng tịnh	2,1 kg	
Cấp độ an toàn	□/II	

- Do chương trình nghiên cứu và phát triển liên tục của chúng tôi nên các thông số kỹ thuật trong đây có thể thay đổi mà không cần thông báo trước.
- Các thông số kỹ thuật có thể thay đổi tùy theo từng quốc gia.
- Trọng lượng tùy theo Quy trình EPTA tháng 01/2003

### Ký hiệu

END202-8

Phần dưới đây cho biết các ký hiệu được dùng cho thiết bị. Đảm bảo rằng bạn hiểu rõ ý nghĩa của các ký hiệu này trước khi sử dụng.



..... Đọc tài liệu hướng dẫn.



..... CÁCH ĐIỆN KÉP



..... Mang kính an toàn.

### Mục đích sử dụng

ENE052-1

Dụng cụ này được dùng để đánh bóng bề mặt lớn bằng các loại vật liệu gỗ, nhựa và kim loại cũng như các bề mặt đã sơn phủ.

### Nguồn cấp điện

ENF002-2

Dụng cụ này chỉ được nối với nguồn cấp điện có điện áp giống như đã chỉ ra trên biển tên và chỉ có thể được vận hành trên nguồn điện AC một pha. Chúng được cách điện hai lớp và do đó cũng có thể được sử dụng với các ổ cắm điện không có dây tiếp đất.

## Cảnh báo An toàn Chung dành cho Dụng cụ Máy

GEA005-3

**⚠ CẢNH BÁO** Đọc tất cả các cảnh báo an toàn và hướng dẫn. Việc không tuân theo các cảnh báo và hướng dẫn có thể dẫn đến điện giật, hỏa hoạn và/hoặc thương tích nghiêm trọng.

## Lưu giữ tất cả cảnh báo và hướng dẫn để tham khảo sau này.

Thuật ngữ “dụng cụ máy” trong các cảnh báo đề cập đến dụng cụ máy (có dây) được vận hành bằng nguồn điện chính hoặc dụng cụ máy (không dây) được vận hành bằng pin của bạn.

### An toàn tại nơi làm việc

- Giữ nơi làm việc sạch sẽ và có đủ ánh sáng. Nơi làm việc bừa bộn hoặc tối thường dễ gây ra tai nạn.
- Không vận hành dụng cụ máy trong môi trường cháy nổ, ví dụ như môi trường có sự hiện diện của các chất lỏng, khí hoặc bụi dễ cháy.** Các dụng cụ máy tạo tia lửa điện có thể làm bụi hoặc khí bốc cháy.
- Giữ trẻ em và người ngoài tránh xa nơi làm việc khi đang vận hành dụng cụ máy.** Sự xao lãng có thể khiến bạn mất khả năng kiểm soát.

### An toàn về điện

- Phích cắm của dụng cụ máy phải khớp với ổ cắm. Không bao giờ được sửa đổi phích cắm theo bất kỳ cách nào. Không sử dụng bất kỳ phích chuyển đổi nào với các dụng cụ máy được nối đất (tiếp đất).** Các phích cắm còn nguyên vẹn và ổ cắm phù hợp sẽ giảm nguy cơ điện giật.
- Tránh để cơ thể tiếp xúc với các bề mặt nóng đất hoặc tiếp đất như đường ống, bộ tản nhiệt, bếp ga và tủ lạnh.** Nguy cơ bị điện giật sẽ tăng lên nếu cơ thể bạn được nối đất hoặc tiếp đất.
- Không để dụng cụ máy tiếp xúc với mưa hoặc trong điều kiện ẩm ướt.** Nước lọt vào dụng cụ máy sẽ làm tăng nguy cơ điện giật.
- Không lạm dụng dây. Không bao giờ sử dụng dây để mang, kéo hoặc tháo phích cắm dụng cụ máy. Giữ dây tránh xa nguồn nhiệt, dầu, các mép sắc hoặc các bộ phận chuyển động.** Dây bị hỏng hoặc bị rối sẽ làm tăng nguy cơ điện giật.

8. **Khi vận hành dụng cụ máy ngoài trời, hãy sử dụng dây kéo dài phù hợp cho việc sử dụng ngoài trời.** Việc dùng dây phù hợp cho việc sử dụng ngoài trời sẽ giảm nguy cơ điện giật.
9. **Nếu bất buộc phải vận hành dụng cụ máy ở nơi ẩm ướt, hãy sử dụng nguồn cấp điện được bảo vệ bằng thiết bị ngắt dòng điện rò (RCD).** Việc sử dụng RCD sẽ giảm nguy cơ điện giật.
10. **Chúng tôi luôn khuyên bạn sử dụng nguồn cấp điện qua thiết bị RCD có thể ngắt dòng điện dư định mức 30 mA hoặc thấp hơn.**

#### **An toàn cá nhân**

11. **Luôn tỉnh táo, quan sát những việc bạn đang làm và sử dụng những phán đoán theo kinh nghiệm khi vận hành dụng cụ máy.** Không sử dụng dụng cụ máy khi bạn đang mệt mỏi hoặc chịu ảnh hưởng của ma túy, rượu hay thuốc. Chỉ một khoảnh khắc không tập trung khi đang vận hành dụng cụ máy cũng có thể dẫn đến thương tích cá nhân nghiêm trọng.
12. **Sử dụng thiết bị bảo hộ cá nhân. Luôn đeo thiết bị bảo vệ mắt.** Các thiết bị bảo hộ như mặt nạ chống bụi, giày an toàn chống trượt, mũ bảo hộ hay thiết bị bảo vệ thính giác được sử dụng trong các điều kiện thích hợp sẽ giúp giảm thương tích cá nhân.
13. **Tránh vô tình khởi động dụng cụ máy. Đảm bảo công tắc ở vị trí off (tắt) trước khi nối nguồn điện và/hoặc bộ pin, cầm hoặc mang dụng cụ máy.** Việc mang dụng cụ máy khi đang đặt ngón tay ở vị trí công tắc hoặc cấp điện cho dụng cụ máy đang bật thường dễ gây ra tai nạn.
14. **Tháo mọi khoá hoặc chia vận điều chỉnh trước khi bật dụng cụ máy.** Việc chia vận hoặc khoá vẫn còn gắn vào bộ phận quay của dụng cụ máy có thể dẫn đến thương tích cá nhân.
15. **Không với quá cao. Luôn giữ thăng bằng tốt và có chỗ để chân phù hợp.** Điều này cho phép điều khiển dụng cụ máy tốt hơn trong những tình huống bất ngờ.
16. **Án mặc phù hợp. Không mặc quần áo rộng hay đeo đồ trang sức. Giữ tóc, quần áo và găng tay tránh xa các bộ phận chuyển động.** Quần áo rộng, đồ trang sức hay tóc dài có thể mắc vào các bộ phận chuyển động.
17. **Nếu các thiết bị được cung cấp để kết nối các thiết bị thu gom và hút bụi, hãy đảm bảo chúng được kết nối và sử dụng hợp lý.** Việc sử dụng thiết bị thu gom bụi có thể làm giảm những mối nguy hiểm liên quan đến bụi.

#### **Sử dụng và bảo quản dụng cụ máy**

18. **Không dùng lực đối với dụng cụ máy. Sử dụng đúng dụng cụ máy cho công việc của bạn.** Sử dụng đúng dụng cụ máy sẽ giúp thực hiện công việc tốt hơn và an toàn hơn theo giá trị định mức được thiết kế của dụng cụ máy đó.
19. **Không sử dụng dụng cụ máy nếu công tắc không bật và tắt được dụng cụ máy đó.** Mọi dụng cụ máy không thể điều khiển được bằng công tắc đều rất nguy hiểm và cần được sửa chữa.
20. **Rút phích cắm ra khỏi nguồn điện và/hoặc ngắt kết nối bộ pin khỏi dụng cụ máy trước khi thực hiện bất kỳ công việc điều chỉnh, thay đổi phụ tùng hay cắt giữ dụng cụ máy nào.** Những biện

- pháp an toàn phòng ngừa này sẽ giảm nguy cơ vô tình khởi động vô tình dụng cụ máy.
21. **Cắt giữ các dụng cụ máy không sử dụng ngoài tầm với của trẻ em và không cho bất kỳ người nào không có hiểu biết về dụng cụ máy hoặc các hướng dẫn này vận hành dụng cụ máy.** Dụng cụ máy sẽ rất nguy hiểm nếu được sử dụng bởi những người dùng chưa qua đào tạo.
  22. **Bảo quản dụng cụ máy. Kiểm tra tình trạng lệch trục hoặc bó kẹt của các bộ phận chuyển động, hiện tượng nứt vỡ của các bộ phận và mọi tình trạng khác mà có thể ảnh hưởng đến hoạt động của dụng cụ máy.** Nếu có hỏng hóc, hãy sửa chữa dụng cụ máy trước khi sử dụng. Nhiều tai nạn xảy ra là do không bảo quản tốt dụng cụ máy.
  23. **Luôn giữ cho dụng cụ cắt được sắc bén và sạch sẽ.** Những dụng cụ cắt được bảo quản tốt có mép cắt sắc sẽ ít bị kẹt hơn và dễ điều khiển hơn.
  24. **Sử dụng dụng cụ máy, phụ tùng và đầu dụng cụ cắt, v.v... theo các hướng dẫn này, có tính đến điều kiện làm việc và công việc được thực hiện.** Việc sử dụng dụng cụ máy cho các công việc khác với công việc dự định có thể gây nguy hiểm.

#### **Bảo dưỡng**

25. **Để nhân viên sửa chữa đủ trình độ bảo dưỡng dụng cụ máy của bạn và chỉ sử dụng các bộ phận thay thế đồng nhất.** Việc này sẽ đảm bảo duy trì được độ an toàn của dụng cụ máy.
26. **Tuân theo hướng dẫn dành cho việc bôi trơn và thay phụ tùng.**
27. **Giữ tay cầm khô, sạch, không dính dầu và mỡ.**

GEB036-5

## **CẢNH BÁO AN TOÀN ĐỐI VỚI MÁY CHÀ NHÁM DẠNG ĐĨA**

### **Cảnh báo An toàn Thông thường cho Thao tác Chà nhám:**

1. **Dụng cụ máy này được dùng để làm máy chà nhám. Xin đọc tất cả các cảnh báo an toàn, hướng dẫn, minh họa và thông số kỹ thuật đi kèm với dụng cụ máy này.** Việc không tuân theo các hướng dẫn được liệt kê dưới đây có thể dẫn đến điện giật, hỏa hoạn và/hoặc thương tích nghiêm trọng.
2. **Các thao tác như mài, đánh bàn chải kim loại, đánh bóng hoặc cắt không được khuyến khích thực hiện bằng dụng cụ máy này.** Các thao tác mà dụng cụ máy này không được thiết kế để thực hiện có thể tạo ra nguy hiểm và gây thương tích cá nhân.
3. **Không được dùng các phụ kiện không được thiết kế đặc biệt và không theo khuyến cáo của nhà sản xuất dụng cụ.** Bởi nếu có thể gắn phụ kiện đó vào máy dụng cụ của bạn thì điều đó hoàn toàn không đảm bảo việc vận hành máy an toàn.
4. **Tốc độ định mức của phụ kiện ít nhất phải bằng tốc độ tối đa được đánh dấu trên dụng cụ máy này.** Các phụ kiện chạy nhanh hơn tốc độ định mức của chúng có thể bị vỡ và bay ra ngoài.
5. **Đường kính bên ngoài và độ dày của phụ kiện phải nằm trong định mức công suất dụng cụ máy của bạn.** Các phụ kiện có kích thước không chính xác không thể được bảo vệ hoặc kiểm soát một cách đầy đủ.

6. **Lắp ren của phụ kiện phải khớp với ren của trụ quay dụng cụ. Đối với các phụ kiện được gắn bằng mặt bích, lỗ trục tâm của phụ kiện đó phải vừa khít với đường kính định vị của mặt bích.** Các phụ kiện không khớp với bộ phận lắp ghép của dụng cụ máy sẽ bị mất cân bằng, rung động quá mức và có thể gây ra mất kiểm soát.
7. **Không sử dụng phụ kiện đã hư hỏng. Trước mỗi lần sử dụng hãy kiểm tra phụ kiện như tấm đặt lót xem có nứt gãy hoặc bị ăn mòn quá mức không. Nếu dụng cụ máy hoặc phụ kiện bị rơi, hãy kiểm tra hư hỏng hoặc lắp lại phụ kiện không bị hư hại. Sau khi kiểm tra và cài đặt phụ kiện, hãy tìm chỗ đứng cho bản thân mình và những người xung quanh để tránh xa mặt phẳng phụ kiện quay và chạy dụng cụ máy này ở tốc độ không tải tối đa trong vòng một phút.** Phụ kiện bị hư hỏng thông thường sẽ bị vỡ trong thời gian thử nghiệm này.
8. **Mang thiết bị bảo hộ cá nhân. Tùy thuộc vào việc sử dụng máy, hãy dùng mặt nạ bảo vệ mặt, kính bảo hộ hoặc kính an toàn. Khi thích hợp, hãy mang mặt nạ chống bụi, dụng cụ bảo vệ thính giác, găng tay và tạp dề làm việc có khả năng ngăn chặn các mảnh mài mòn hoặc mảnh vỡ từ vật gia công.** Thiết bị bảo vệ mắt phải có khả năng ngăn chặn các mảnh vụn bay ra phát sinh bởi các hoạt động khác nhau. Mặt nạ chống bụi hoặc khẩu trang phải có khả năng lọc được các hạt tạo ra bởi hoạt động của bạn. Tiếp xúc kéo dài với tiếng ồn có cường độ cao có thể gây ra mất thính giác.
9. **Giữ những người xung quanh tránh xa nơi làm việc một khoảng cách an toàn. Bất cứ ai bước vào khu vực làm việc đều phải đeo thiết bị bảo hộ cá nhân.** Các mảnh vỡ của vật gia công hoặc phụ kiện bị vỡ có thể bắn ra và gây thương tích bên ngoài khu vực thao tác cạnh đó.
10. **Đặt dây dẫn không để vướng phụ kiện quay.** Nếu bạn bị mất kiểm soát, dây dẫn có thể bị cắt hoặc bị quấn và bàn tay hoặc cánh tay của bạn có thể bị kéo vào phụ kiện quay đó.
11. **Không bao giờ đặt dụng cụ máy xuống cho đến khi phụ kiện đã dừng hẳn.** Phụ kiện quay có thể quấn lấy bề mặt và kéo công cụ máy vượt khỏi tầm kiểm soát của bạn.
12. **Không được chạy dụng cụ máy trong lúc đang mang bên hông bạn.** Tiếp xúc bất ngờ với phụ kiện quay có thể quấn lấy quần áo của bạn, kéo phụ kiện văng vào người bạn.
13. **Thường xuyên làm sạch các lỗ thông hơi của dụng cụ máy.** Quạt của động cơ sẽ thu hút bụi vào bên trong vỏ và nhiều bột kim loại tích tụ có thể gây ra các nguy hiểm về điện.
14. **Không vận hành công cụ máy gần các vật liệu dễ cháy.** Các tia lửa có thể kích cháy các vật liệu này.
15. **Không sử dụng các phụ kiện có yêu cầu chất làm mát dạng lỏng.** Sử dụng chất làm mát bằng nước hoặc chất lỏng khác có thể dẫn đến điện giật hoặc sốc.

#### Lực đẩy ngược và Cảnh báo liên quan

Lực đẩy ngược là phản ứng bất ngờ đối với đĩa mài, tấm đặt lót, chổi hoặc bất cứ phụ kiện nào khác đang quay nhưng bị kẹt hoặc bị quấn. Việc bị kẹt hoặc quấn sẽ làm phụ kiện đang quay bị dừng nhanh chóng và do đó dụng

cụ máy không kiểm soát được sẽ bị đẩy theo hướng đối diện hướng quay của phụ kiện tại điểm bị ràng buộc. Lực đẩy ngược là kết quả của việc sử dụng dụng cụ máy không đúng và/hoặc do các quy trình vận hành hoặc các điều kiện không chính xác và có thể tránh được bằng cách thực hiện các biện pháp phòng ngừa thích hợp như được nêu dưới đây.

- a) **Nắm giữ chắc dụng cụ máy và chọn thế đứng và vị trí tay cầm để cho phép bạn chống lại lực đẩy ngược.** Luôn luôn sử dụng tay cầm phụ, nếu được cung cấp, để kiểm soát tối đa lực đẩy ngược hoặc mô-men xoắn trong lúc khởi động. Người vận hành máy có thể kiểm soát mô-men xoắn hay lực đẩy ngược nếu thực hiện các biện pháp phòng ngừa đúng cách.
- b) **Không bao giờ đặt tay bạn gần phụ kiện quay.** Phụ kiện có thể quật ngược lại lên tay bạn.
- c) **Không đứng tại vị trí nơi dụng cụ máy sẽ bị đẩy tới nếu xảy ra lực đẩy ngược.** Lực đẩy ngược sẽ làm xoay dụng cụ theo hướng ngược lại chuyển động của đĩa mài tại vị trí bị quấn.
- d) **Cần đặc biệt cẩn thận khi thao tác với các cạnh góc, mép sắc, v.v...** Tránh làm dội ra và quấn vào phụ kiện. Các góc, mép sắc hoặc dội ra có xu hướng làm quấn lấy phụ kiện đang quay và gây mất kiểm soát hoặc tạo lực đẩy ngược.
- e) **Không được gắn lưới lọc xích khác gỗ hoặc lưới cửa rang.** Các loại lưới như vậy thường tạo ra lực đẩy ngược và dễ mất kiểm soát.

#### Cảnh báo An toàn Chỉ định cho Thao tác Chà nhám:

- a) **Không sử dụng giấy chà nhám dạng đĩa có khổ quá lớn.** Làm theo các khuyến cáo của nhà sản xuất khi lựa chọn giấy nhám. Giấy nhám lớn hơn vượt ra khỏi tấm đánh nhám sẽ dễ gây nguy hiểm rách giấy và có thể gây quấn, xé rách đĩa hoặc tạo lực đẩy ngược.

#### Cảnh báo An toàn Bổ sung:

16. **Một số vật liệu có thể chứa hóa chất độc.** Phải cẩn trọng tránh hít phải bụi và để tiếp xúc với da. Tuân theo dữ liệu an toàn của nhà cung cấp vật liệu.
17. **Cần thông thoáng phù hợp cho khu vực làm việc khi bạn thực hiện thao tác đánh nhám.**
18. **Sử dụng dụng cụ này để đánh nhám một số sản phẩm, sơn và gỗ có thể làm người dùng tiếp xúc với bụi có chứa các chất nguy hiểm.** Sử dụng biện pháp bảo vệ đường hô hấp phù hợp.
19. **Phải đảm bảo rằng đĩa nhám không tiếp xúc với vật gia công trước khi bật công tắc lên.**
20. **Không để mặc dụng cụ hoạt động.** Chỉ vận hành dụng cụ khi cầm trên tay.
21. **Không chạm vào vật gia công ngay sau khi vận hành; chúng có thể rất nóng và có thể gây bỏng da.**
22. **Kiểm tra xem vật gia công đã được kê đỡ đầy đủ chưa.**
23. **Nếu nơi làm việc rất nóng và ẩm ướt, hoặc bị ô nhiễm nặng bởi bụi dẫn điện, hãy dùng bộ ngắt điện đoán mạch (30 mA) để bảo đảm an toàn cho người vận hành.**
24. **Không dùng dụng cụ này trên bất kỳ vật liệu nào có chứa amiăng.**



# LƯU GIỮ CÁC HƯỚNG DẪN NÀY.

## **⚠ CẢNH BÁO:**

**KHÔNG** được để sự thoải mái hay quen thuộc với sản phẩm (có được do sử dụng nhiều lần) thay thế việc tuân thủ nghiêm ngặt các quy định về an toàn dành cho sản phẩm này. **VIỆC DÙNG SAI** hoặc không tuân theo các quy định về an toàn được nêu trong tài liệu hướng dẫn này có thể dẫn đến thương tích cá nhân nghiêm trọng.

## MÔ TẢ CHỨC NĂNG

### **⚠ CẢN TRỌNG:**

- Phải luôn đảm bảo rằng dụng cụ đã được tắt điện và ngắt kết nối trước khi chỉnh sửa hoặc kiểm tra chức năng của dụng cụ.

### Hoạt động công tắc (Hình 1)

#### **⚠ CẢN TRỌNG:**

- Trước khi cắm điện vào dụng cụ, luôn luôn kiểm tra xem cần khởi động công tắc có hoạt động bình thường hay không và trả về vị trí "OFF" (TẮT) khi nhả ra.
- Công tắc có thể khóa ở vị trí "ON" (BẬT) để người vận hành dễ dàng thuận tiện trong quá trình sử dụng kéo dài. Cần hết sức cẩn trọng khi khóa dụng cụ ở vị trí "ON" (BẬT) và phải luôn giữ chặt dụng cụ.

Để khởi động dụng cụ, chỉ cần kéo cần khởi động công tắc. Nhả cần khởi động công tắc ra để dừng.

Để tiếp tục vận hành, hãy kéo cần khởi động công tắc và sau đó nhấn vào nút khóa.

Để dừng dụng cụ từ vị trí đã khóa, hãy kéo cần khởi động công tắc hết mức, sau đó nhả ra.

### Đĩa điều chỉnh tốc độ (Hình 2)

Có thể thay đổi tốc độ dụng cụ bằng cách xoay đĩa điều chỉnh tốc độ đến cài đặt số đã có sẵn từ 1 đến 5.

Có thể đạt tốc độ cao hơn khi xoay đĩa này về hướng số 5. Và đưa về tốc độ thấp hơn khi xoay đĩa về hướng số 1. Tham khảo bảng sau về mối liên quan giữa cài đặt theo số trên đĩa và tốc độ dụng cụ phù hợp.

Số	Vòng/phút (/phút)
1	2.500
2	2.800
3	3.500
4	4.200
5	4.700

006385

### **⚠ CẢN TRỌNG:**

- Nếu dụng cụ được vận hành liên tục ở tốc độ chậm trong thời gian dài, motor sẽ bị quá tải và nóng lên.
- Đĩa điều chỉnh tốc độ chỉ có thể được xoay đến số 5 và trở về số 1. Không được cố xoay quá số 5 hoặc số 1, nếu không chức năng điều chỉnh tốc độ có thể sẽ không còn hoạt động được.

Các dụng cụ này được trang bị chức năng điện tử giúp dễ dàng thao tác nhờ các tính năng sau.

### Điều khiển tốc độ không đổi

Điều khiển tốc độ bằng điện tử để có tốc độ không đổi. Có khả năng tạo được bề mặt hoàn thiện đẹp bởi tốc độ xoay được giữ không đổi ngay cả trong điều kiện có tải.

### Tính năng khởi động mềm

Khởi động an toàn và khởi động mềm để tránh bị giật lúc khởi động.

## LẮP RÁP

### **⚠ CẢN TRỌNG:**

- Luôn luôn đảm bảo rằng dụng cụ đã được tắt và tháo phích cắm trước khi dùng dụng cụ thực hiện bất cứ công việc nào.

### Lắp đặt tay cầm hông (tay cầm phụ) & nắp (Hình 3 & Hình 4)

#### **⚠ CẢN TRỌNG:**

- Luôn đảm bảo rằng tay cầm hông được gắn chặt trước khi vận hành.

Lắp phần nắp vào, sau đó vận tay cầm hông trên dụng cụ thật chặt. Tay cầm hông và nắp có thể được gắn ở cả hai bên của dụng cụ.

### Gắn hoặc tháo đĩa nhám

Gắn tấm cao su lên trục quay. Gắn đĩa nhám trên tấm đặt cao su và vận đai ốc khóa lên trục quay. **(Hình 5)**

Để vận chặt đai ốc khóa, hãy giữ trục quay bằng khóa cờ-lê để nó không thể xoay, sau đó sử dụng cờ-lê đai ốc

khóa và vận chặt lại theo chiều kim đồng hồ. **(Hình 6)**

Để tháo đĩa nhám, hãy làm ngược lại quy trình lắp vào.

## VẬN HÀNH

### Thao tác chà nhám (Hình 7)

#### **⚠ CẢN TRỌNG:**

- Luôn luôn mang kính bảo hộ hoặc mặt nạ bảo vệ mặt trong khi vận hành.
- Không bao giờ được vận hành dụng cụ mà không có đĩa nhám. Bạn có thể gây hư hỏng tấm đặt nghiêm trọng.

Cầm chắc dụng cụ. Bật dụng cụ lên và sau đó sử dụng đĩa nhám cho vật gia công.

Nói chung, hãy giữ đĩa nhám ở một góc khoảng 15 độ so với bề mặt vật gia công. Ấn xuống bằng một lực nhỏ. Ấn mạnh quá mức sẽ dẫn đến hiệu suất kém và hao mòn quá sớm đối với đĩa nhám.

## BẢO TRÌ

#### **⚠ CẢN TRỌNG:**

- Hãy luôn chắc chắn rằng dụng cụ đã được tắt và ngắt kết nối trước khi cố gắng thực hiện việc kiểm tra hay bảo dưỡng.
- Không bao giờ dùng xăng, ét xăng, dung môi, cồn hoặc hóa chất tương tự. Có thể xảy ra hiện tượng mất màu, biến dạng hoặc nứt vỡ.

### Thay thế các chổi các-bon

Hãy tháo và kiểm tra các chổi các-bon định kỳ. Thay thế khi chổi đã mòn đến vạch giới hạn. Hãy giữ cho các chổi các-bon sạch sẽ và không quấn vào trong các đầu giữ.

Các chổi các-bon nên được thay thế cùng lúc. Hãy sử dụng các chổi các-bon giống nhau. **(Hình 8)**  
Hãy sử dụng một tuốc-nơ-vít để tháo các nắp giữ chổi. Hãy tháo các chổi các-bon đã bị mòn, lắp vào các chổi mới và vặn chặt các nắp giữ chổi. **(Hình 9)**  
Để đảm bảo AN TOÀN và TIN CẬY của sản phẩm, việc sửa chữa hoặc bất cứ thao tác bảo trì, điều chỉnh nào đều phải được thực hiện bởi các Trung tâm Dịch vụ Nhà máy và luôn sử dụng các phụ tùng thiết bị thay thế của Makita.

## PHỤ KIỆN TỰY CHỌN

### CẢN TRỌNG:

- Các phụ kiện hoặc phụ tùng gắn thêm này được khuyến cáo sử dụng với dụng cụ Makita của bạn theo như quy định trong hướng dẫn này. Việc sử dụng bất cứ phụ kiện hoặc phụ tùng gắn thêm nào khác đều có thể gây ra rủi ro thương tích cho người. Chỉ sử dụng phụ kiện hoặc phụ tùng gắn thêm cho mục đích đã quy định sẵn của chúng.

Nếu bạn cần hỗ trợ để biết thêm chi tiết về những phụ kiện này, hãy liên hệ với Trung tâm Dịch vụ của Makita tại địa phương của bạn.

- Bộ tấm đệm cao su
- Đĩa nhám
- Đai ốc khóa
- Cờ-lê số 17
- Cờ-lê khóa đai ốc số 28

### LƯU Ý:

- Một vài mục trong danh sách có thể được bao gồm trong gói dụng cụ làm phụ kiện tiêu chuẩn. Các thông số kỹ thuật có thể thay đổi tùy theo từng quốc gia.

## คำอธิบายของมุมมองทั่วไป

- |                     |                     |                     |
|---------------------|---------------------|---------------------|
| 1. สวิตช์สั่งงาน    | 6. น็อตล็อก         | 11. ประแจ           |
| 2. ปุ่มล็อก         | 7. งานขัด           | 12. ซีตจำกัด        |
| 3. แป้นปรับความเร็ว | 8. แผ่นยาง          | 13. ฝาปิดที่ยึดแปรง |
| 4. ฝาปิด            | 9. แกนหมุน          | 14. ไขควง           |
| 5. ด้ามจับด้านข้าง  | 10. ไขควงเกลียวล็อก |                     |

## ข้อมูลจำเพาะ

รุ่น	GV7000	GV7000C
เส้นผ่านศูนย์กลางจานขัด	180 มม.	
อัตราความเร็ว (n)/ความเร็วหมุนเปล่า (n <sub>0</sub> )	4,700 รอบต่อนาที	4,700 รอบต่อนาที
ความยาวโดยรวม	210 มม.	
น้ำหนักสุทธิ	2.1 กก.	
มาตรฐานความปลอดภัย	□/II	

- เนื่องจากการค้นคว้าวิจัยและพัฒนาอย่างต่อเนื่อง ข้อมูลจำเพาะในเอกสารฉบับนี้อาจเปลี่ยนแปลงได้โดยไม่ต้องแจ้งให้ทราบล่วงหน้า
- ข้อมูลจำเพาะอาจแตกต่างกันไปในแต่ละประเทศ
- น้ำหนักตามข้อบังคับของ EPTA 01/2003

END202-8

GEA005-3

## สัญลักษณ์

ต่อไปนี้เป็นสัญลักษณ์ที่ใช้สำหรับอุปกรณ์ โปรดศึกษาความหมายของสัญลักษณ์ให้เข้าใจก่อนการใช้งาน



.....อ่านคู่มือการใช้งาน



.....จำนวนสองชิ้น



.....สวมแว่นตานิรภัย

ENE052-1

## จุดประสงค์ของเครื่องมือ

เครื่องมือนี้ใช้สำหรับขัดผิวหน้าวัสดุไม้ พลาสติกและโลหะ ตลอดจนพื้นผิวที่ทำสี

ENF002-2

## แหล่งจ่ายไฟ

ควรเชื่อมต่อเครื่องมือกับแหล่งจ่ายไฟที่มีแรงดันไฟฟ้าตามที่ระบุไว้ในป้ายข้อมูลของเครื่องมือ และจะต้องใช้ไฟฟ้ากระแสสลับแบบเฟสเดียวเท่านั้น อุปกรณ์นี้ได้รับการหุ้มฉนวนสองชั้นและสามารถใช้กับปลั๊กไฟที่ไม่มีสายดินได้

## คำเตือนด้านความปลอดภัยของเครื่องมือไฟฟ้าทั่วไป

⚠ คำเตือน อ่านคำเตือนด้านความปลอดภัยและคำแนะนำทั้งหมด การไม่ปฏิบัติตามคำเตือนและคำแนะนำดังกล่าวอาจส่งผลให้เกิดไฟฟ้าช็อต ไฟไหม้ และ/หรือได้รับบาดเจ็บอย่างร้ายแรง

## เก็บรักษาคำเตือนและคำแนะนำทั้งหมดไว้เป็นข้อมูลอ้างอิงในอนาคต

คำว่า “เครื่องมือไฟฟ้า” ในคำเตือนนี้ หมายถึง เครื่องมือไฟฟ้า (มีสาย) ที่ทำงานโดยใช้กระแสไฟฟ้า หรือเครื่องมือไฟฟ้า (ไร้สาย) ที่ทำงานโดยใช้แบตเตอรี่

## ความปลอดภัยของพื้นที่ทำงาน

- ดูแลพื้นที่ทำงานให้มีความสะอาดและมีแสงไฟสว่าง พื้นที่รกกระเจะระกะหรือมืดทึบอาจนำไปสู่การเกิดอุบัติเหตุได้
- อย่าใช้งานเครื่องมือไฟฟ้าในสภาพที่อาจเกิดการระเบิด เช่น ในสถานที่ที่มีมีของเหลว ก๊าซ หรือฝุ่นผงที่มีคุณสมบัติไวไฟ เครื่องมือไฟฟ้าจะสร้างประกายไฟเพื่อจุดชนวนฝุ่นผงหรือก๊าซดังกล่าว
- ดูแลไม่ให้มีเด็ก ๆ หรือบุคคลอื่นอยู่ในบริเวณที่กำลังใช้เครื่องมือไฟฟ้า การมีสิ่งรบกวนสมาธิอาจทำให้คุณสูญเสียการควบคุม

## ความปลอดภัยด้านไฟฟ้า

- ปลั๊กของเครื่องมือไฟฟ้าต้องพอดีกับตัวรับ อย่าดัดแปลงปลั๊กไม่ว่ากรณีใดๆ อย่าใช้ปลั๊กอะแดปเตอร์กับเครื่องมือไฟฟ้าที่ต่อสายดิน ปลั๊กที่ไม่ถูกต้องและตัวรับไฟที่เข้ากันพอดีจะช่วยลดความเสี่ยงของการเกิดไฟฟ้าช็อต
- ระวังอย่าให้ร่างกายสัมผัสกับพื้นผิวที่ต่อสายดิน เช่น ท่อ เครื่องนำความร้อน เตาหุงต้ม และตู้เย็น มีความเสี่ยงที่จะเกิดไฟฟ้าช็อตสูงขึ้น หากร่างกายของคุณสัมผัสกับพื้น
- อย่าให้เครื่องมือไฟฟ้าถูกน้ำหรืออยู่ในสภาพเปียกชื้น น้ำที่ไหลเข้าไปในเครื่องมือไฟฟ้าจะเพิ่มความเสี่ยงของการเกิดไฟฟ้าช็อต
- อย่าใช้สายไฟอย่างไม่เหมาะสม อย่าใช้สายไฟเพื่อยก ดึง หรือ ถอดปลั๊กเครื่องมือไฟฟ้า เก็บสายไฟให้ห่างจากความร้อน น้ำมัน ของมีคม หรือชิ้นส่วนที่เคลื่อนที่ สายที่ชำรุดหรือพันกันจะเพิ่มความเสี่ยงของการเกิดไฟฟ้าช็อต
- ขณะที่ทำงานเครื่องมือไฟฟ้านอกอาคาร ควรใช้สายต่อพ่วงที่เหมาะสมกับงานภายนอกอาคาร การใช้สายที่เหมาะสมกับงานภายนอกอาคารจะลดความเสี่ยงของการเกิดไฟฟ้าช็อต
- หากต้องใช้งานเครื่องมือไฟฟ้าในสถานที่เปียกชื้น ให้ใช้อุปกรณ์ป้องกันกระแสไฟรั่ว (RCD) การใช้ RCD จะลดความเสี่ยงของการเกิดไฟฟ้าช็อต
- ขอแนะนำให้ใช้แหล่งจ่ายไฟผ่าน RCD ที่มีกระแสไฟรั่วในอัตราไม่เกิน 30 mA เสมอ

## ความปลอดภัยส่วนบุคคล

- ให้ระมัดระวัง และสังเกตเสมอว่าคุณกำลังทำอะไรอยู่ และใช้สามัญสำนึกในขณะที่ใช้งานเครื่องมือไฟฟ้า อย่าใช้งานเครื่องมือไฟฟ้าในขณะที่คุณกำลังเหนื่อย หรือในสภาพที่มีเมาน้ำจากยาเสพติด เครื่องดื่มแอลกอฮอล์ หรือการใช้ยา ช่วงเวลาที่ขาดความระมัดระวังเมื่อกำลังใช้งานเครื่องมือไฟฟ้าอาจทำให้คุณได้รับบาดเจ็บอย่างรุนแรง
- ใช้อุปกรณ์ป้องกันส่วนบุคคล สวมแว่นตาป้องกันเสมอ อุปกรณ์ป้องกัน เช่น หน้ากากกันฝุ่น รองเท้ากันภัยกันลื่น หมวกกันน็อก หรือเครื่องป้องกันการได้ยินที่ใช้ในสภาพที่เหมาะสมจะช่วยลดการบาดเจ็บ
- ป้องกันไม่ให้เปิดใช้งานอย่างไม่มีตั้งใจ ตรวจสอบว่าสวิตช์อยู่ในตำแหน่งปิดก่อนเชื่อมต่อกับแหล่งจ่ายไฟ และ/หรือ ชุดแบตเตอรี่ หรือก่อนการยกหรือถือเครื่องมือ การสอดนิ้วมือบริเวณสวิตช์เพื่อถือเครื่องมือไฟฟ้า หรือการชาร์จไฟเครื่องมือไฟฟ้าในขณะที่เปิดสวิตช์อยู่อาจนำไปสู่การเกิดอุบัติเหตุ
- นำกฎเกณฑ์ปรับแต่งหรือประแจออกก่อนที่จะเปิดเครื่องมือไฟฟ้า ประแจหรือกฎเกณฑ์เสียบค้างอยู่ในชิ้นส่วนที่หมุนได้ของเครื่องมือไฟฟ้าอาจทำให้คุณได้รับบาดเจ็บ

- อย่าทำงานในระยะเวลาที่ล้นเอี่ยม จัดทำการยืนและการทรงตัวให้เหมาะสมตลอดเวลา เพราะจะทำให้ควบคุมเครื่องมือไฟฟ้าได้ดีขึ้นในสถานการณ์ที่ไม่คาดคิด
- แต่งกายให้เหมาะสม อย่าสวมเครื่องแต่งกายที่หลวมเกินไป หรือสวมเครื่องประดับ คุณไม่ควรใส่แว่นตา เลี้ยว และถุงมืออยู่ใกล้ชิ้นส่วนที่เคลื่อนที่ เลี้ยว ร่ม ร่ม เครื่องประดับ หรือผมที่มีความยาวอาจเข้าไปติดในชิ้นส่วนที่เคลื่อนที่
- หากมีการจัดอุปกรณ์สำหรับคุณและจัดเก็บฝุ่นไว้ในสถานที่ ให้ตรวจสอบว่าได้เชื่อมต่อและใช้งานอุปกรณ์นั้นอย่างเหมาะสม การใช้เครื่องดูดและจัดเก็บฝุ่นจะช่วยลดอันตรายที่เกิดจากฝุ่นผงได้

## การใช้และดูแลเครื่องมือไฟฟ้า

- อย่าฝืนใช้เครื่องมือไฟฟ้า ใช้เครื่องมือไฟฟ้าที่เหมาะสมกับการใช้งานของคุณ เครื่องมือไฟฟ้าที่เหมาะสมจะทำงานที่มีประสิทธิภาพและปลอดภัยกว่าตามขีดความสามารถของเครื่องที่ได้รับการออกแบบมา
- อย่าใช้เครื่องมือไฟฟ้า หากสวิตช์ไม่สามารถเปิดปิดได้ เครื่องมือไฟฟ้าที่ควบคุมด้วยสวิตช์ไม่ได้เป็นอันตรายและต้องได้รับการซ่อมแซม
- ถอดปลั๊กจากแหล่งจ่ายไฟ และ/หรือชุดแบตเตอรี่ออกจากเครื่องมือไฟฟ้าก่อนทำการปรับแต่ง เปลี่ยนอุปกรณ์เสริม หรือจัดเก็บเครื่องมือไฟฟ้า วิธีการป้องกันด้านความปลอดภัยดังกล่าวจะช่วยลดความเสี่ยงของการเปิดใช้งานเครื่องมือไฟฟ้าอย่างไม่มีตั้งใจ
- จัดเก็บเครื่องมือไฟฟ้าที่ไม่ได้ใช้งานให้ห่างจากมือเด็ก และอย่าอนุญาตให้บุคคลที่ไม่คุ้นเคยกับเครื่องมือไฟฟ้า หรือคำแนะนำเหล่านี้ใช้งานเครื่องมือไฟฟ้า เครื่องมือไฟฟ้าจะเป็นอันตรายเมื่ออยู่ในมือของผู้ที่ไม่ได้รับการฝึกอบรม
- การดูแลรักษาเครื่องมือไฟฟ้า ตรวจสอบการประกอบที่ไม่ถูกต้องหรือการเชื่อมต่อของชิ้นส่วนที่เคลื่อนที่ การแตกหักของชิ้นส่วน หรือสภาพอื่นๆ ที่อาจส่งผลกระทบต่อการทำงานของเครื่องมือไฟฟ้า หากมีความเสียหายให้นำเครื่องมือไฟฟ้าไปซ่อมแซมก่อนการใช้งาน อุบัติเหตุจำนวนมากเกิดจากการดูแลรักษาเครื่องมือไฟฟ้าอย่างไม่มีเจตนา
- ล้างความคมและทำความสะอาดเครื่องมือการตัดอยู่เสมอ เครื่องมือการตัดที่มีการดูแลอย่างถูกต้องและมีขอบการตัดคมมักจะมีปัญหาติดขัดน้อยและควบคุมได้ง่ายกว่า
- ใช้เครื่องมือไฟฟ้า อุปกรณ์เสริม และวัสดุสิ้นเปลือง ฯลฯ ตามคำแนะนำดังกล่าว พิจารณาสภาพการทำงานและงานที่จะลงมือทำ การใช้เครื่องมือไฟฟ้าเพื่อทำงานอื่นนอกเหนือจากที่กำหนดไว้อาจทำให้เกิดอันตราย

## การบริการ

25. นำเครื่องมือไฟฟ้าเข้ารับบริการจากช่างซ่อมที่ผ่านการรับรองโดยใช้อะไหล่แบบเดียวกันเท่านั้น เพราะจะทำให้การใช้เครื่องมือไฟฟ้ามีความปลอดภัย
26. ปฏิบัติตามคำแนะนำในการหล่อลื่นและการเปลี่ยนอุปกรณ์เสริม
27. ดูแลมือจับให้แห้ง สะอาด และไม่มันมันและจาระบีเปื้อน

GEB036-5

## คำเตือนด้านความปลอดภัยของเครื่องขัดแบบจาน

### คำเตือนด้านความปลอดภัยสำหรับการทำงานขัด:

1. เครื่องมือไฟฟ้าชนิดนี้มีจุดประสงค์เพื่อใช้เป็นเครื่องขัดโปรตอานคำเตือนด้านความปลอดภัย คำแนะนำ รูปภาพ และข้อมูลจำเพาะต่าง ๆ ที่ให้มากับเครื่องมือไฟฟ้านี้อย่างละเอียด การไม่ปฏิบัติตามคำแนะนำดังต่อไปนี้อาจส่งผลให้เกิดไฟฟ้าช็อต ไฟไหม้ และ/หรือได้รับบาดเจ็บอย่างร้ายแรงได้
2. ไม่แนะนำให้ใช้เครื่องมือไฟฟ้านี้ในการใช้แรงกดดัน การขีดข่วน หรือการตัด การใช้งานเครื่องมือไฟฟ้านี้โดยผิดจุดประสงค์การใช้งานอาจจะเป็นสาเหตุของอันตรายและการบาดเจ็บได้
3. อย่าใช้อุปกรณ์เสริมที่ไม่ได้ออกแบบและแนะนำโดยผู้ผลิตเครื่องมือนี้ การที่อุปกรณ์เสริมต่างๆ สามารถติดตั้งเข้ากับเครื่องมือไฟฟ้าของคุณได้นั้นไม่ได้เป็นการรับประกันว่าจะสามารถใช้งานร่วมกับอุปกรณ์ดังกล่าวได้อย่างปลอดภัย
4. อัตราความเร็วของอุปกรณ์เสริมนั้นอย่างน้อยต้องเท่ากับความเร็วสูงสุดที่ระบุไว้ในเครื่องมือไฟฟ้านี้ อุปกรณ์เสริมที่ทำงานด้วยความเร็วที่ต่ำกว่าความเร็วของตนเองอาจจะแตกหักหรือกระเด็นออกมาได้
5. เส้นผ่านศูนย์กลางภายนอกและความหนาของอุปกรณ์เสริมของคุณจะต้องอยู่ในอัตราความสามารถของเครื่องมือไฟฟ้าของคุณ อุปกรณ์เสริมที่มีขนาดไม่เหมาะสมจะไม่สามารถควบคุมหรือป้องกันได้อย่างมีประสิทธิภาพ
6. รูติดตั้งของอุปกรณ์เสริมต้องมีขนาดพอดีกับแกนเสียบของเครื่องมือ สำหรับอุปกรณ์ที่ใช้การติดตั้งแบบครึ่งร่องของอุปกรณ์ต้องมีขนาดพอดีกับเส้นผ่านศูนย์กลางของครึ่ง อุปกรณ์เสริมที่มีขนาดของส่วนติดตั้งไม่พอดีกับส่วนติดตั้งอุปกรณ์ของเครื่องมือไฟฟ้าจะทำให้ไม่สามารถทำงานได้อย่างสมดุล มีอาการสั่นมากเกินไป และอาจทำให้ไม่สามารถควบคุมได้
7. ห้ามใช้อุปกรณ์เสริมที่เสียหาย ก่อนการใช้งานทุกครั้งโปรดตรวจสอบอุปกรณ์ต่างๆ เช่น ตรวจสอบการแตกชำรุดของแผ่นรองหลังกระดาษทราย หากอุปกรณ์เสริมของเครื่องมือไฟฟ้าตกลงพื้น ให้ตรวจสอบความเสียหาย

และติดตั้งอุปกรณ์เสริมที่ไม่มี ความเสียหาย หลังจากการตรวจสอบและการติดตั้งอุปกรณ์เสริม ให้ตรวจสอบให้ตัวเองและผู้อื่นใกล้เคียงอยู่ห่างจากบริเวณที่อุปกรณ์หมุนและเปิดเครื่องมือไฟฟ้าที่ความเร็วหมุนเปล่าสูงสุดเป็นเวลาหนึ่งนาที โดยปกติแล้ว อุปกรณ์เสริมที่เสียหายจะแตกออกในระหว่างเวลาการทดสอบนี้

8. สวมอุปกรณ์ป้องกันส่วนบุคคล ขึ้นอยู่กับรูปแบบการใช้งานของคุณ ให้ใช้น้ำกาก หน้ากากนิรภัยหรือแว่นนิรภัย สวมหน้ากากป้องกันฝุ่น ที่ป้องกันเสียง ถุงมือ และผ้ากันเปื้อนที่สามารถป้องกันการกระเด็นของชิ้นงานได้ตามความเหมาะสม อุปกรณ์ป้องกันดวงตาจะต้องสามารถป้องกันฝุ่นหรือสิ่งสกปรกที่กระเด็นจากการทำงานได้ หน้ากากป้องกันฝุ่นหรือที่ช่วยหายใจจะต้องสามารถกรองอนุภาคที่เกิดจากการทำงานของคุณได้ การฟังเสียงดังมาก ๆ เป็นเวลานานๆ อาจทำให้ระบบการได้ยินเสียหายได้
9. โปรดกันให้ผู้ไม่เกี่ยวข้องอยู่ห่างจากบริเวณที่ปฏิบัติงานในขณะปลอดภัย ผู้ที่เข้าพื้นที่ปฏิบัติงานจะต้องสวมอุปกรณ์ป้องกันส่วนบุคคล เศษชิ้นงานหรืออุปกรณ์ที่แตกหักอาจจะกระเด็นและก่อให้เกิดอาการบาดเจ็บในสถานที่รอบๆ บริเวณปฏิบัติงานได้
10. จัดให้สายไฟอยู่ในบริเวณที่ห่างจากอุปกรณ์ที่หมุน หากคุณสูญเสียการควบคุม สายไฟอาจจะถูกตัดหรือถูกดึงทำให้มือหรือแขนของคุณถูกดึงเข้าไปในอุปกรณ์ที่หมุนได้
11. อย่าวางเครื่องมือไฟฟ้าลงจนกว่าจะหยุดหมุนสนิท อุปกรณ์ที่กำลังหมุนอาจจะกระทบกับพื้นผิวและทำให้เครื่องมือไฟฟ้าหลุดมือของคุณได้
12. อย่าเปิดเครื่องมือไฟฟ้าเมื่อถือไว้ข้างตัวคุณ เนื่องจากการสัมผัสกับอุปกรณ์ที่กำลังหมุนโดยไม่ตั้งใจนั้นอาจพันกับเสื้อผ้าของคุณและดึงอุปกรณ์เข้าสู่ร่างกายของคุณได้
13. โปรดทำความสะอาดระบายอากาศของเครื่องมือไฟฟ้าบ่อยๆ พัดลมของมอเตอร์จะดูดฝุ่นเข้าไปในตัวเครื่องและการมีผงโลหะในตัวเครื่องมากเกินไปอาจทำให้เกิดอันตรายจากกระแสไฟฟ้าได้
14. อย่าใช้เครื่องมือไฟฟ้าใกล้ๆ วัสดุที่ติดไฟได้ เนื่องจากอาจเกิดไฟแลบจนทำให้วัสดุดังกล่าวติดไฟ
15. อย่าใช้อุปกรณ์เสริมที่ต้องใช้ของเหลวเพื่อระบายความร้อน การใช้น้ำหรือของเหลวเพื่อระบายความร้อนอื่นๆ อาจทำให้เกิดไฟฟ้าดูดได้

### การติดตั้งและคำเตือนที่เกี่ยวข้อง

การติดตั้งคือการตอบสนองโดยฉับพลันเมื่อเกิดการสะดุดหรือติดขัดของลูกล้อ แผ่นหลัง แปรง หรืออุปกรณ์เสริมอื่นๆ ที่กำลังหมุน การสะดุดหรือการติดขัดจะทำให้อุปกรณ์ที่กำลังหมุนปัดหัวลงอย่างรวดเร็วซึ่งเป็นสาเหตุให้เครื่องมือไฟฟ้าที่ไม่สามารถควบคุมได้เกิดแรงสะท้อนกลับไปยังทิศทางตรงข้ามกับการหมุน

การติดกลับเป็นผลมาจากการใช้เครื่องมือไฟฟ้าผิดจุดประสงค์ และ/หรือ การใช้ผิดวิธี และสามารถป้องกันได้โดยใช้วิธีการป้องกันดังต่อไปนี้

- a) จับด้ามจับเครื่องมือไฟฟ้าให้แน่นและจัดตำแหน่งร่างกายและแขนให้สามารถต้านทานแรงติดกลับได้ ใช้มือจับเสริมเสมอ ถ้ามี เพื่อให้สามารถควบคุมการติดกลับหรือการสะท้อนของแรงบิดในระหว่างการเริ่มทำงานได้อย่างมีประสิทธิภาพ ผู้ปฏิบัติงานจะสามารถควบคุมแรงสะท้อนของแรงบิดหรือแรงบิดกลับได้หากดำเนินการป้องกันอย่างเหมาะสม
- b) อย่าเอามือไว้ใกล้อุปกรณ์หมุน อุปกรณ์ดังกล่าวอาจติดกลับใส่มือคุณได้
- c) อย่าอยู่ในบริเวณที่อาจจะโดนเครื่องมือหากมีการติดกลับเกิดขึ้น การติดกลับจะทำให้เครื่องมือสะบัดไปยังทิศทางตรงกันข้ามของการเคลื่อนไหวของลูกล้อเมื่อเกิดการสะดุด
- d) ใช้ความระมัดระวังเป็นพิเศษเพื่อปฏิบัติงานกับมุมขอบที่มีความแหลมคม ฯลฯ หลีกเลี่ยงการกระแทกและการติดขัดของอุปกรณ์ มุม ขอบที่มีความแหลมคมหรือการกระแทกนั้นอาจทำให้เกิดการสะดุดของอุปกรณ์ หมุนและทำให้เสียการควบคุมหรือการติดกลับได้
- e) อย่าติดตั้งใบมีดเลื่อนแบบโซ่หรือใบเลื่อยแบบซี่ใบมีดแบบดังกล่าวมักจะทำให้เกิดการติดกลับและสูญเสียการควบคุม

**คำเตือนด้านความปลอดภัยสำหรับการทำงานขัด:**

- a) อย่าใช้แผ่นกระดาษทรายที่มีขนาดใหญ่เกินไป ปฏิบัติตามคำแนะนำของผู้ผลิตเมื่อเลือกกระดาษทราย กระดาษทรายที่ใหญ่เกินไปจะยื่นออกมาเกินแผ่นขัดและจะทำให้เกิดการฉีกขาด เป็นสาเหตุของการสะดุด जानชำรุด หรือการติดกลับได้

**คำเตือนด้านความปลอดภัยเพิ่มเติม:**

16. วัสดุบางอย่างอาจมีสารเคมีที่เป็นพิษ ระงับอย่างสุดคมฝุ่นหรือให้สารเหล่านั้นสัมผัสกับร่างกาย ปฏิบัติตามข้อมูลด้านความปลอดภัยของผู้ผลิตวัสดุ
17. พื้นที่ทำงานต้องมีการระบายอากาศอย่างเพียงพอเมื่อคุณทำการขัด
18. การใช้เครื่องมือนี้ขัดผลิตภัณฑ์ สี หรือไม้บางชนิดอาจทำให้ผู้ใช้ได้รับฝุ่นที่ประกอบด้วยสารที่เป็นอันตราย ดังนั้นจึงควรใช้อุปกรณ์ช่วยหายใจที่เหมาะสม
19. ตรวจสอบให้แน่ใจว่าจางขันนั้นไม่ได้สัมผัสกับชิ้นงานก่อนที่จะเปิดสวิตช์
20. อย่าปล่อยให้เครื่องมือทำงานค้างไว้ ใช้งานเครื่องมือในขณะที่ถืออยู่เท่านั้น
21. ห้ามสัมผัสกับชิ้นงานทันทีที่ทำงานเสร็จ เนื่องจากชิ้นงานอาจมีความร้อนสูงและลวกผิวหนังของคุณได้
22. ตรวจสอบว่าชิ้นงานมีสิ่งรบกวนหรือค้ำยันที่มั่นคง

23. หากสถานที่ปฏิบัติงานนั้นร้อนและชื้นมาก หรือมีฝุ่นมาก ให้ใช้เบรกเกอร์ป้องกันการลัดวงจร (30 mA) เพื่อการใช้งานอย่างปลอดภัย
24. อย่าใช้เครื่องมือกับวัสดุที่มีแร่ใยหิน

## ปฏิบัติตามคำแนะนำเหล่านี้

**△ คำเตือน:**

อย่าให้ความไม่ระมัดระวังหรือความคุ้นเคยกับผลิตภัณฑ์ (จากการใช้งานซ้ำหลายครั้ง) อยู่เหนือการปฏิบัติตามกฎเกณฑ์ด้านความปลอดภัยในการใช้งานผลิตภัณฑ์อย่างเคร่งครัด การปฏิบัติอย่างไม่เหมาะสมหรือการไม่ปฏิบัติตามกฎเกณฑ์ด้านความปลอดภัยในคู่มือใช้งานนี้อาจทำให้เกิดการบาดเจ็บอย่างรุนแรง

## คำอธิบายการทำงาน

**△ ข้อควรระวัง:**

- ตรวจสอบให้แน่ใจว่าสวิตช์เครื่องมืออยู่ในตำแหน่งปิดเครื่อง และถอดปลั๊กเครื่องมือออกก่อนปรับตั้งหรือตรวจสอบการทำงานของเครื่องมือ

## การทำงานของสวิตช์ (ภาพที่ 1)

**△ ข้อควรระวัง:**

- ก่อนเสียบปลั๊กเครื่องมือ ให้ตรวจสอบว่าสวิตช์สั่งงานสามารถทำงานได้อย่างถูกต้อง และกลับไปยังตำแหน่ง "OFF" เมื่อปล่อย
  - สวิตช์สามารถล๊อคในตำแหน่ง "ON" เพื่อช่วยให้สะดวกในการใช้งานอย่างต่อเนื่อง ใช้ความระมัดระวังเมื่อล๊อคสวิตช์เครื่องมือในตำแหน่ง "ON" และจับเครื่องมือให้แน่นตลอดเวลา เปิดใช้เครื่องมือโดยดึงสวิตช์สั่งงาน ปล่อยสวิตช์สั่งงานเพื่อหยุดทำงาน
- ถ้าต้องการใช้งานอย่างต่อเนื่อง ดึงสวิตช์สั่งงานและกดปุ่มล๊อค ถ้าต้องการเลิกใช้งานเครื่องมือในตำแหน่งล๊อค ให้ดึงสวิตช์สั่งงานจนสุด จากนั้นปล่อยสวิตช์

## ปรับระดับความเร็ว (ภาพที่ 2)

สามารถเปลี่ยนความเร็วได้โดยการปรับแป้นปรับระดับไปยังหมายเลขต่างๆ 1 ถึง 5

คุณสามารถปรับความเร็วให้เร็วขึ้นได้โดยการหมุนไปทางหมายเลข 5 และปรับความเร็วให้ช้าลงได้โดยการหมุนปรับไปทางหมายเลข 1

โปรดดูตารางความสัมพันธ์ระหว่างระดับที่ปุ่มหมุนปรับและความเร็วโดยประมาณของเครื่องมือ

หมายเลข	PRM (นาที)
1	2,500
2	2,800
3	3,500
4	4,200
5	4,700

006385

### ⚠️ ข้อควรระวัง:

- หากเครื่องมีถูกใช้งานที่ความเร็วต่ำอย่างต่อเนื่องเป็นเวลานานมอเตอร์อาจเกิดการโอเวอร์โหลดและส่งผลให้เครื่องมือร้อนผิดปกติ
- ปั๊มหมุนปรับความเร็วสามารถหมุนไปจนถึงที่หมายเลข 5 และหมุนกลับจนถึงหมายเลข 1 อย่าฝืนหมุนเลขหมายเลข 5 หรือ 1 ไม่เช่นนั้นฟังก์ชันการปรับความเร็วอาจไม่สามารถใช้งานได้อีกต่อไป

เครื่องมือที่มีฟังก์ชันอิเล็กทรอนิกส์ชนิดนี้ใช้งานได้ง่ายเนื่องจากคุณสมบัติดังต่อไปนี้

### ระบบควบคุมความเร็วคงที่

ระบบการควบคุมความเร็วอิเล็กทรอนิกส์เพื่อควบคุมความเร็วให้คงที่ตามต้องการ ช่วยให้ได้ผลงานที่ละเอียด เนื่องจากความเร็วในการหมุนเป็นไปอย่างคงที่และสม่ำเสมอแม้ว่าจะอยู่ในสภาวะที่มีภาระการทำงานก็ตาม

### คุณสมบัติซอฟต์แวร์

การเริ่มทำงานอย่างนุ่มนวลและปลอดภัยเนื่องจากการป้องกันการสะท้อนในการเริ่มทำงาน

## การประกอบ

### ⚠️ ข้อควรระวัง:

- ตรวจสอบให้แน่ใจว่าสวิตช์เครื่องมืออยู่ในตำแหน่งปิดเครื่องมือและถอดปลั๊กเครื่องมือออกก่อนดำเนินการใดๆ กับเครื่องมือ

### การประกอบด้ามจับด้านข้าง (มือจับเสริม) และฝาปิด (ภาพที่ 3 และภาพที่ 4)

### ⚠️ ข้อควรระวัง:

- ตรวจสอบให้แน่ใจทุกครั้งว่าด้ามจับด้านข้างติดตั้งอย่างมั่นคงก่อนที่จะทำงาน

ติดตั้งฝาปิดแล้วขันด้ามจับด้านข้างเข้ากับเครื่องมือให้แน่นหนาสามารถติดตั้งด้ามจับด้านข้างและฝาปิดเข้ากับด้านใดก็ได้ของเครื่องมือ

## การติดตั้งหรือถอดงานขัด

ติดตั้งแผ่นยางเข้ากับแกนหมุน ติดตั้งงานขัดเข้ากับแผ่นยางแล้วขันน็อตล็อกเข้ากับแกนหมุน (ภาพที่ 5)  
วิธีการขันแน่นน็อตล็อก ให้ใช้ประแจจับแกนหมุนไว้แล้วใช้ประแจขันน็อตล็อกขันทวนเข็มนาฬิกาให้แน่น (ภาพที่ 6)  
เมื่อต้องการถอดงาน ให้ปฏิบัติย้อนขั้นตอนการติดตั้ง

## การใช้งาน

### การขัด (ภาพที่ 7)

#### ⚠️ ข้อควรระวัง:

- สวมแว่นตานิรภัยหรือหน้ากากป้องกันใบหน้าเสมอเมื่อปฏิบัติงาน
- อย่าเปิดเครื่องมือโดยไม่มีงานขัด เนื่องจากอาจทำให้แผ่นเสียหายอย่างรุนแรงได้

จับเครื่องมือให้แน่น เปิดเครื่องมือแล้วใช้งานขัดกับชิ้นงานโดยทั่วๆ ไป ความเร็วงานขัดให้ทำมุมกับชิ้นงาน 15 องศา ใช้แรงกดเล็กน้อยเท่านั้น การใช้แรงกดมากเกินไปจะทำให้ประสิทธิภาพการทำงานลดลงและทำให้งานขัดสึกหรออย่างรวดเร็ว

## การบำรุงรักษา

#### ⚠️ ข้อควรระวัง:

- ตรวจสอบให้แน่ใจว่าได้ปิดสวิตช์เครื่องมือและถอดปลั๊กออกก่อนทำการตรวจสอบหรือบำรุงรักษา
- อย่าใช้น้ำมันเชื้อเพลิง เบนซิน ทินเนอร์ แอลกอฮอล์ หรือวัสดุประเภทเดียวกัน เพราะอาจทำให้เครื่องมือมีสีซีดจาง ผิดรูปทรงหรือแตกหักได้

## การเปลี่ยนแปลงคาร์บอน

ถอดแปรงคาร์บอนออกมาตรวจสอบเป็นประจำ เปลี่ยนแปลงคาร์บอนเมื่อสึกหรอจนถึงขีดจำกัด รักษาแปรงคาร์บอนให้สะอาดและอย่าให้แปรงคาร์บอนหลุดเข้าไปในที่ยึด ควรเปลี่ยนแปลงคาร์บอนทั้งสองแปรงพร้อมกัน ใช้แปรงคาร์บอนที่กำหนดเท่านั้น (ภาพที่ 8)

ใช้ไขควงเพื่อถอดฝาปิดที่ยึดแปรงออก นำแปรงคาร์บอนที่สึกหรอออกมา ใส่แปรงคาร์บอนใหม่เข้าไป และปิดฝาปิดที่ยึดแปรงให้แน่น (ภาพที่ 9)

เพื่อความปลอดภัยและน่าเชื่อถือของผลิตภัณฑ์ ควรให้ศูนย์บริการหรือโรงงานที่ผ่านการรับรองจาก Makita เป็นผู้ดำเนินการซ่อมแซมบำรุงรักษาและทำการปรับตั้งอื่นๆ นอกจากนี้ให้ใช้ช่องไหล่ของแท่งจาก Makita เสมอ

## อุปกรณ์เสริม

### ⚠️ ข้อควรระวัง:

- ขอแนะนำให้ใช้เฉพาะอุปกรณ์เสริมหรืออุปกรณ์ต่อพ่วงเหล่านี้กับเครื่องมือ Makita ที่ระบุในคู่มือ การใช้อุปกรณ์เสริมหรืออุปกรณ์ต่อพ่วงอื่นๆ อาจมีความเสี่ยงที่จะได้รับบาดเจ็บ ใช้ อุปกรณ์เสริมหรืออุปกรณ์ต่อพ่วงตามวัตถุประสงค์ที่ระบุไว้เท่านั้น

หากคุณต้องการทราบรายละเอียดเกี่ยวกับอุปกรณ์เสริมเหล่านี้ โปรดสอบถามศูนย์บริการ Makita ใกล้บ้านคุณ

- แผ่นยาง
- จานขัด
- น็อตล็อก
- ประแจ 17
- ไขควงเกลียวล็อก 28

### หมายเหตุ:

- อุปกรณ์บางรายการอาจรวมอยู่ในชุดอุปกรณ์พื้นฐานของผลิตภัณฑ์ ซึ่งอาจแตกต่างกันไปในแต่ละประเทศ









**Makita Corporation**  
3-11-8, Sumiyoshi-cho,  
Anjo, Aichi 446-8502 Japan  
[www.makita.com](http://www.makita.com)

884357B372

TRD