



VN	VIETNAM
----	---------

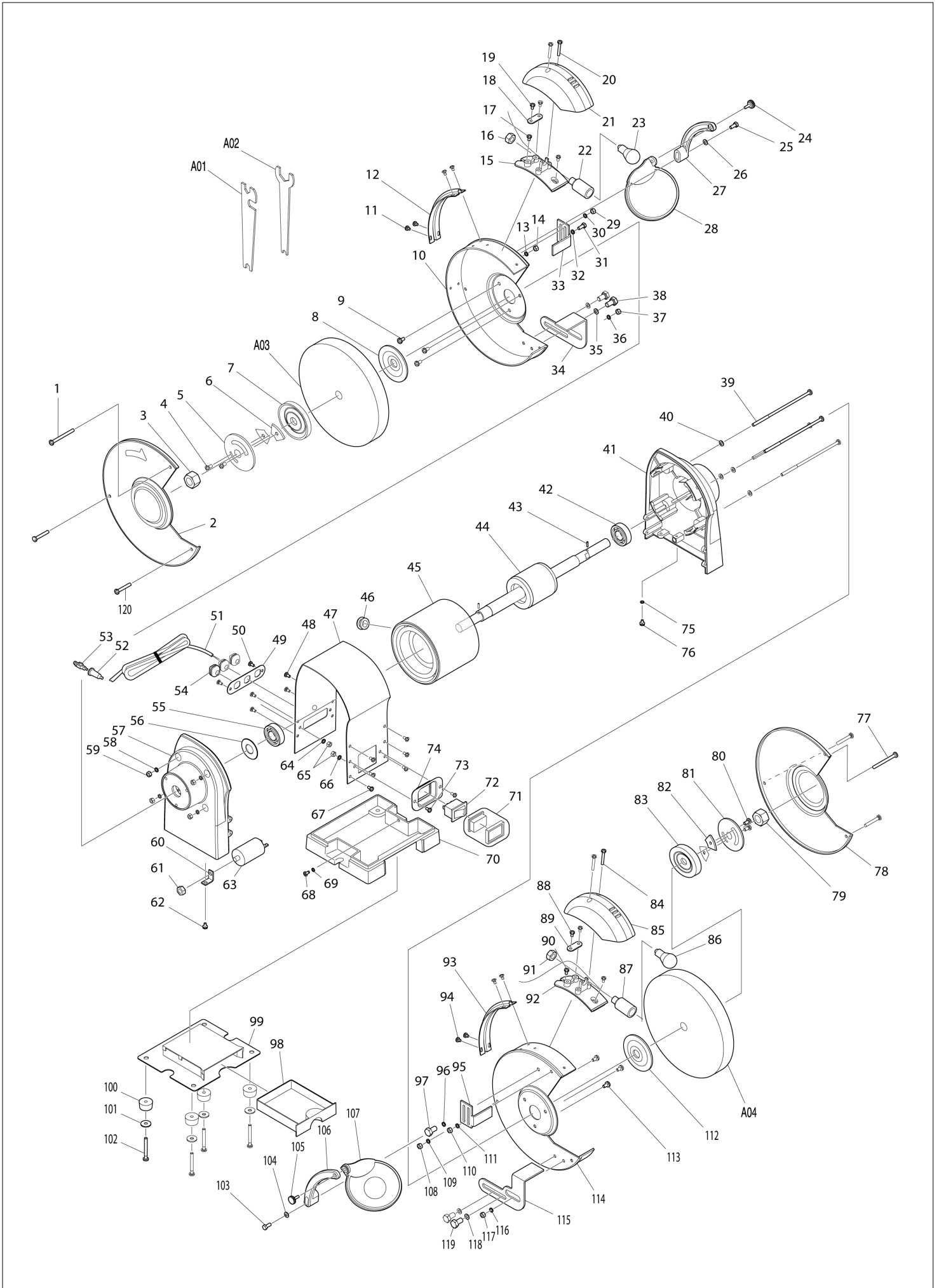
Diagram / Parts List

GB801

BENCH GRINDER 205MM



(VN) GB801 / BENCH GRINDER 205MM



VN	VIETNAM
-----------	----------------

GB801 / BENCH GRINDER 205MM

Item	Sub	Parts No.	Parts Description	Qty	I/C	E/C No.	Close No.	Remark
001		911276-3	PAN HEAD SCREW M5X55	2				
002		AL00000057	WHEEL COVER L	1				
003		AL00000058	HEX NUT M16L	1				
004		AL00000059	PAN HEAD SCREW M5X5	2				
005		AL00000060	BALANCE PLATE	1				
006		AL00000061	BALANCE WEIGHT	2				
007		AL00000062	OUTER FLANGE	1				
008		AL00000063	INNER FLANGE	1				
009		911211-1	PAN HEAD SCREW M5X12	3				
010		AL00000064	WHEEL COVER L	1				
011		911107-6	PAN HEAD SCREW M4X8	4				
012		AL00000065	CORD CLAMP	1				
013		942101-7	SPRING WASHER 5	1				
014		931201-8	HEX. NUT M5	1				
015		AL00000194	LAMP COVER BASE	1				
016		AL00000009	NUT	1				
017		911113-1	PAN HEAD SCREW M4X10 WITH WR	2				
018		AL00000010	STRAIN RELIEF	1				
019		911118-1	PAN HEAD SCREW M4X12	2				
020		911156-3	PAN HEAD SCREW M4X30	2				
021		AL00000011	LAMP COVER	1				
022		AL00000012	LAMP HOLDER ASSY	1			Y07492	
022-1		AL00000138	LAMP HOLDER ASSEMBLY	1	X	Y07492		
023		AL00000013	BULB	1				
024		AL00000014	ADJUSTABLE KNOB	1				
025		921351-7	HEX. BOLT M6X30	1				
026		941151-9	FLAT WASHER 6	1				
027		AL00000015	EYESHIELD MOUNTING ARM L	1				
028		AL00000016	SAFETY EYE SHIELD	1				
029		931201-8	HEX. NUT M5	1				
030		942101-7	SPRING WASHER 5	1				
031		921212-1	HEX. BOLT M5X12	1				
032		942101-7	SPRING WASHER 5	1				
033		AL00000066	SPARK DEFLECTOR (LEFT)	1				
034		AL00000067	WORK REST (LEFT)	1				
035		941202-8	FLAT WASHER 8	2				
036		942101-7	SPRING WASHER 5	1				
037		931201-8	HEX. NUT M5	1				
038		921411-5	HEX. BOLT M8X12	2				
039		AL00000068	PAN HEAD SCREW M5X142	4				
040		941101-4	FLAT WASHER 5	4				
041		AL00000069	MOTOR HOUSING COVER R	1				
042		211306-3	BALL BEARING 6204LLB	1				
043		951051-5	SPRING PIN 3-8	2				
044		AL00000070	ROTOR	1			Y07349	
044-1		AL00000241	ROTOR	1	S	Y07349		
045		AL00000190	STATOR	1			Y07349	
045-1		AL00000236	STATOR	1	S	Y07349		
046		AL00000022	BUSH	1				
047		AL00000072	MOTOR HOUSING	1				
048		911113-1	PAN HEAD SCREW M4X10 WITH WR	4				
049		AL00000024	CORD CLIP PLATE	1				
050		911113-1	PAN HEAD SCREW M4X10 WITH WR	2				
051		AL00000174	POWER SUPPLY CORD	1				
054		AL00000026	CORD GUARD	3				
055		211306-3	BALL BEARING 6204LLB	1				
056		AL00000073	WAVE WASHER	1				
057		AL00000074	MOTOR HOUSING COVER L	1				
058		942101-7	SPRING WASHER 5	4				
059		931201-8	HEX. NUT M5	4				
060		AL00000029	CAPACITOR CLAMP	1				
061		931402-8	HEX. NUT M8	1				
062		911113-1	PAN HEAD SCREW M4X10 WITH WR	1				
063		AL00000099	CAPACITOR	1				
064		942051-6	SPRING WASHER 4	2				

Interchange
O : Yes
X : No
< : the new part can be substituted for the current.
> : the current part can be substituted for the new.
S : Interchangeable as a set.

VN	VIETNAM
-----------	----------------

GB801 / BENCH GRINDER 205MM

Item	Sub	Parts No.	Parts Description	Qty	I/C	E/C No.	Close No.	Remark
065		931102-0	HEX. NUT M4	4				
066		942051-6	SPRING WASHER 4	2				
067		911113-1	PAN HEAD SCREW M4X10 WITH WR	6				
068		911113-1	PAN HEAD SCREW M4X10 WITH WR	1				
069		AL00000134	TOOTHED LOCK WASHER 4	1				
070		AL00000076	BASE	1				
071		AL00000033	SWITCH COVER ASSY	1			Y07269	
072		AL00000032	SWITCH ASSY COVER	1			Y07269	
072-1		AL00000168	SWITCH WITH COVER	1	<	Y07269		
073		911113-1	PAN HEAD SCREW M4X10 WITH WR	2				
074		AL00000031	SWITCH BOARD	1				
075		AL00000134	TOOTHED LOCK WASHER 4	1				
076		911113-1	PAN HEAD SCREW M4X10 WITH WR	1				
078		AL00000077	SIDE COVER R	1				
079		AL00000078	HEX NUT M16	1				
080		AL00000059	PAN HEAD SCREW M5X5	2				
081		AL00000060	BALANCE PLATE	1				
082		AL00000061	BALANCE WEIGHT	2				
083		AL00000062	OUTER FLANGE	1				
084		911156-3	PAN HEAD SCREW M4X30	2				
085		AL00000011	LAMP COVER	1				
086		AL00000013	BULB	1				
087		AL00000012	LAMP HOLDER ASSY	1			Y07492	
087-1		AL00000138	LAMP HOLDER ASSEMBLY	1	X	Y07492		
088		911118-1	PAN HEAD SCREW M4X12	2				
089		AL00000010	STRAIN RELIEF	1				
090		911113-1	PAN HEAD SCREW M4X10 WITH WR	2				
091		AL00000009	NUT	1				
092		AL00000194	LAMP COVER BASE	1				
093		AL00000065	CORD CLAMP	1				
094		911107-6	PAN HEAD SCREW M4X8	4				
095		AL00000079	SPARK DEFLECTOR (RIGHT)	1				
096		942101-7	SPRING WASHER 5	1				
097		921212-1	HEX. BOLT M5X12	1				
098		AL00000080	COOLANT TRAY	1				
099		AL00000081	COOLANT TRAY PLATE ASSY	1				
100		AL00000083	RUBBER SLEEVE	4				
101		941101-4	FLAT WASHER 5	4				
102		911267-4	PAN HEAD SCREW M5X45	4				
103		921351-7	HEX. BOLT M6X30	1				
104		941151-9	FLAT WASHER 6	1				
105		AL00000014	ADJUSTABLE KNOB	1				
106		AL00000038	EYESHIELD MOUNTING ARM R	1				
107		AL00000037	SAFETY EYE SHIELD WITH MAG	1				
108		931201-8	HEX. NUT M5	1				
109		942101-7	SPRING WASHER 5	1				
110		931201-8	HEX. NUT M5	1				
111		942101-7	SPRING WASHER 5	1				
112		AL00000063	INNER FLANGE	1				
113		911211-1	PAN HEAD SCREW M5X12	3				
114		AL00000084	WHEEL COVER R	1				
115		AL00000085	WORK REST (RIGHT)	1				
116		942101-7	SPRING WASHER 5	1				
117		931201-8	HEX. NUT M5	1				
118		941202-8	FLAT WASHER 8	2				
119		921411-5	HEX. BOLT M8X12	2				
120		911274-7	PAN HEAD SCREW M5X50	4				
A01		AL00000086	WRENCH 10-13-17	1				
A02		AL00000087	WRENCH 8-24	1				
A04		A-47254	GRINDING WHEEL(BENCH,205)	1			13 104	
A04-1		B-51976	GRINDING WHEEL (BENCH,205)	1	<	13 104		AEPD-013/104
A05		A-47260	GRINDING WHEEL (BENCH,205)	1				
F01		AL00000147	SAFETY GOGGLES	1				

Interchange
O : Yes
X : No
< : the new part can be substituted for the current.
> : the current part can be substituted for the new.
S : Interchangeable as a set.