



VN	VIETNAM
----	---------

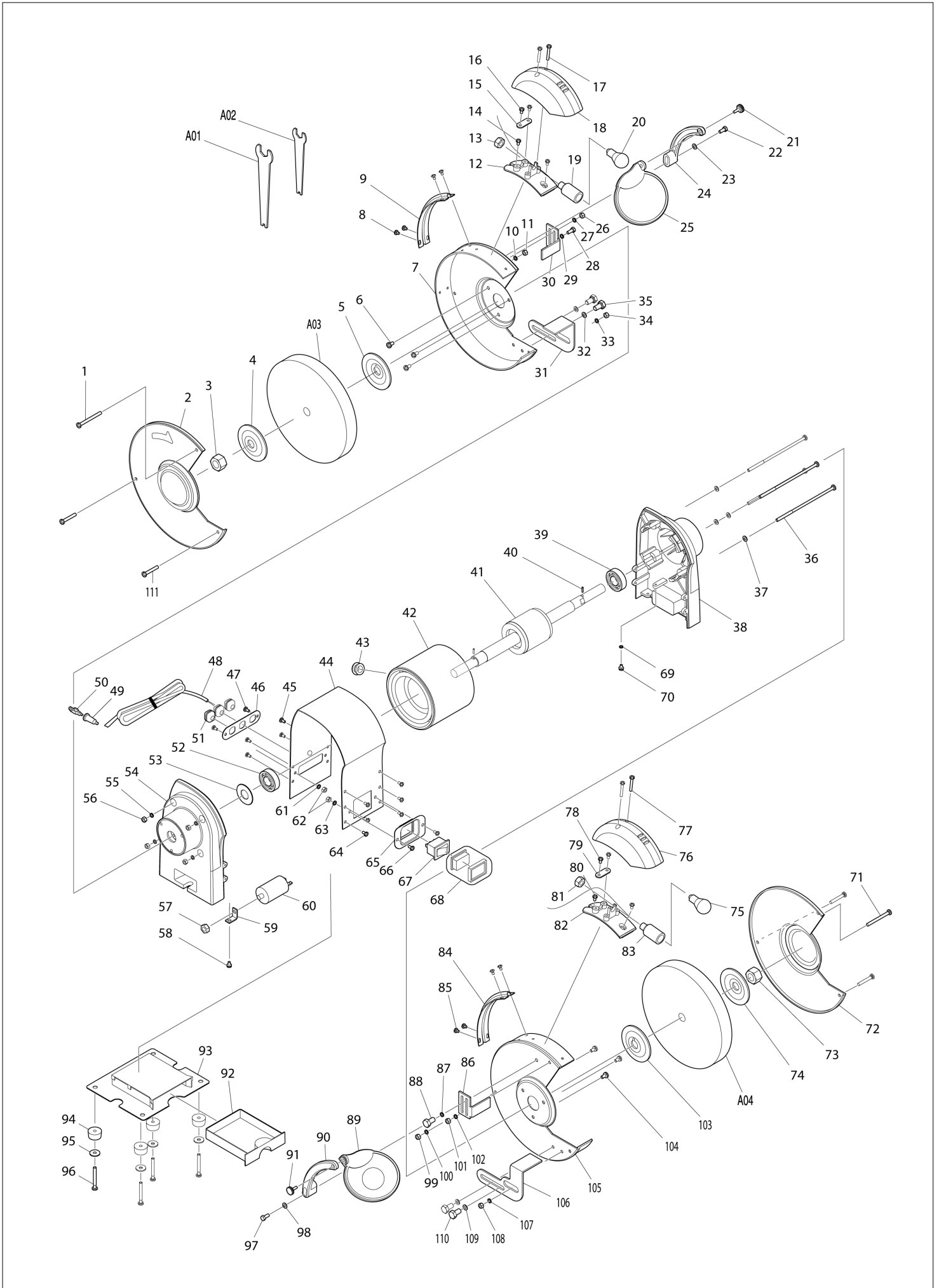
Diagram / Parts List

GB602

BENCH GRINDER 150MM



(VN) GB602 / BENCH GRINDER 150MM



VN	VIETNAM
-----------	----------------

GB602 / BENCH GRINDER 150MM

Item	Sub	Parts No.	Parts Description	Qty	I/C	E/C No.	Close No.	Remark
001		911274-7	PAN HEAD SCREW M5X50	2				
002		AL00000002	WHEEL COVER L	1				
003		AL00000003	HEX NUT M12L	1				
004		AL00000004	OUTER FLANGE	1				
005		AL00000005	INNER FLANGE	1				
006		911206-4	PAN HEAD SCREW M5X10	3				
007		AL00000006	WHEEL COVER L	1				
008		911107-6	PAN HEAD SCREW M4X8	4				
009		AL00000007	CORD CLAMP	1				
010		942101-7	SPRING WASHER 5	1				
011		931201-8	HEX. NUT M5	1				
012		AL00000008	LAMP COVER BASE	1				
013		AL00000009	NUT	1				
014		911107-6	PAN HEAD SCREW M4X8	2				
015		AL00000010	STRAIN RELIEF	1				
016		911118-1	PAN HEAD SCREW M4X12	2				
017		911156-3	PAN HEAD SCREW M4X30	2				
018		AL00000011	LAMP COVER	1				
019		AL00000012	LAMP HOLDER ASSY	1				
020		AL00000013	BULB	1				
021		AL00000014	ADJUSTABLE KNOB	1				
022		921351-7	HEX. BOLT M6X30	1				
023		941151-9	FLAT WASHER 6	1				
024		AL00000015	EYESHIELD MOUNTING ARM L	1				
025		AL00000016	SAFETY EYE SHIELD	1				
026		931201-8	HEX. NUT M5	1				
027		942101-7	SPRING WASHER 5	1				
028		921212-1	HEX. BOLT M5X12	1				
029		942101-7	SPRING WASHER 5	1				
030		AL00000017	SPARK DEFLECTOR (LEFT)	1				
031		AL00000018	WORK REST (LEFT)	1				
032		941202-8	FLAT WASHER 8	2				
033		942101-7	SPRING WASHER 5	1				
034		931201-8	HEX. NUT M5	1				
035		921411-5	HEX. BOLT M8X12	2				
036		265004-1	PAN HEAD SCREW M5X135	4			Y07317	
036-1		AL00000113	SCREW M5X135	4	O	Y07317		
037		941101-4	FLAT WASHER 5	4				
038		AL00000019	MOTOR HOUSING COVER R	1				
039		211206-7	BALL BEARING 6202LLB	1				
040		951051-5	SPRING PIN 3-8	2				
041		AL00000215	ROTOR	1			Y07349	
041-1		AL00000229	ROTOR	1	S	Y07349		
042		AL00000185	STATOR	1			Y07349	
042-1		AL00000228	STATOR	1	S	Y07349		
043		AL00000022	BUSH	1				
044		AL00000023	MOTOR HOUSING	1				
045		911113-1	PAN HEAD SCREW M4X10 WITH WR	4				
046		AL00000024	CORD CLIP PLATE	1				
047		911113-1	PAN HEAD SCREW M4X10 WITH WR	2				
048		AL00000174	POWER SUPPLY CORD	1				
051		AL00000026	CORD GUARD	3				
052		211206-7	BALL BEARING 6202LLB	1				
053		AL00000027	WAVE WASHER	1				
054		AL00000028	MOTOR HOUSING COVER L	1				
055		942101-7	SPRING WASHER 5	4				
056		931201-8	HEX. NUT M5	4				
057		931402-8	HEX. NUT M8	1				
058		911113-1	PAN HEAD SCREW M4X10 WITH WR	1				
059		AL00000029	CAPACITOR CLAMP	1				
060		AL00000095	CAPACITOR	1				
061		942051-6	SPRING WASHER 4	2				
062		931102-0	HEX. NUT M4	4				
063		942051-6	SPRING WASHER 4	2				
064		911113-1	PAN HEAD SCREW M4X10 WITH WR	6				

Interchange
O : Yes
X : No
< : the new part can be substituted for the current.
> : the current part can be substituted for the new.
S : Interchangeable as a set.

