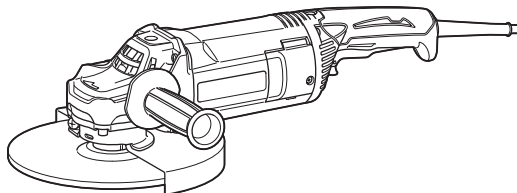
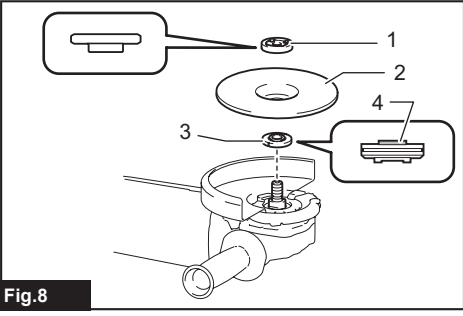
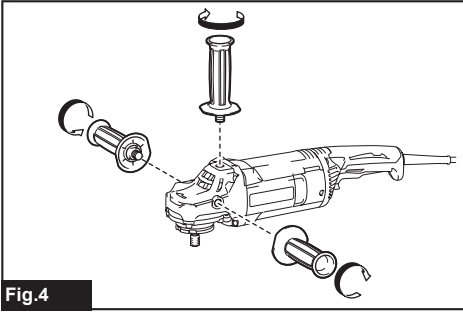
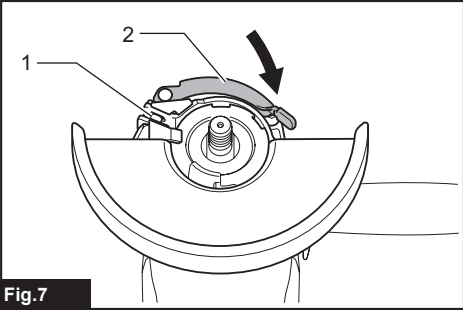
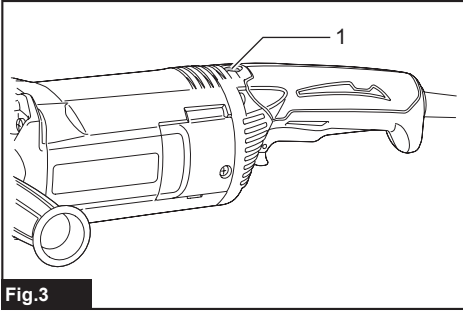
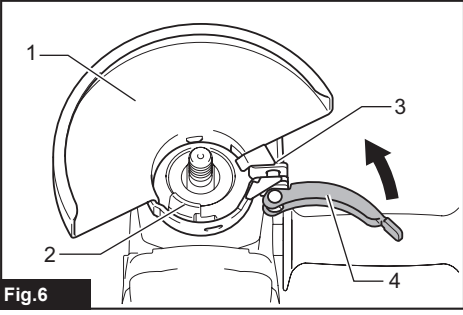
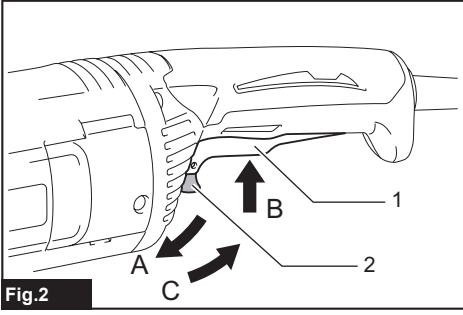
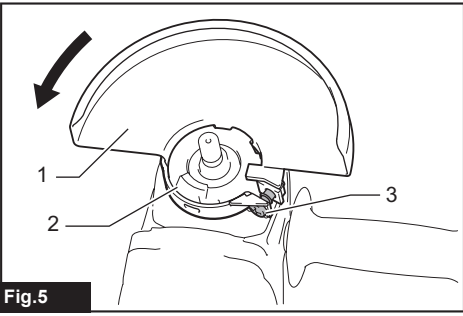
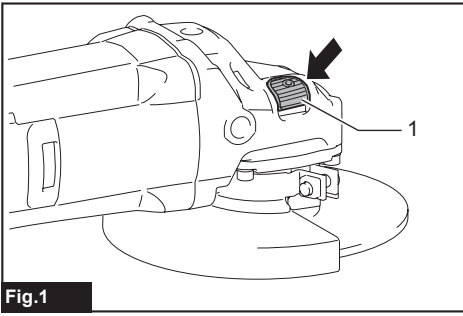




EN	Angle Grinder	INSTRUCTION MANUAL	6
ID	Gerinda Sudut	PETUNJUK PENGGUNAAN	15
VI	Máy Mài Góc Cầm Tay Hoạt Động Bằng Động Cơ Điện	TÀI LIỆU HƯỚNG DẪN	25
TH	เครื่องขัดมุม	คู่มือการใช้งาน	35

GA7061
GA7061R
GA9061
GA9061R





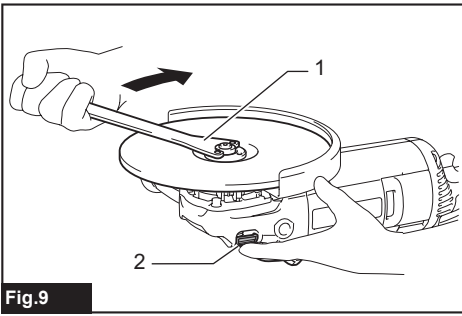


Fig.9

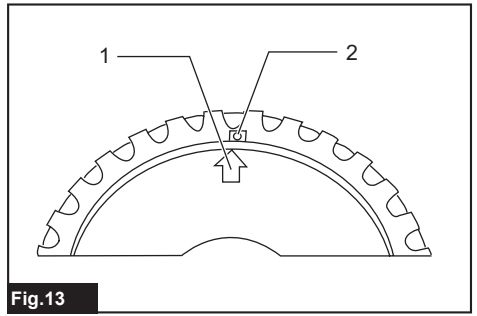


Fig.13

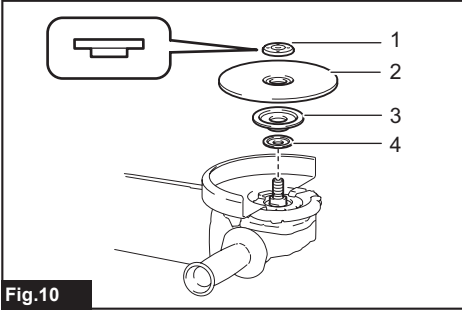


Fig.10

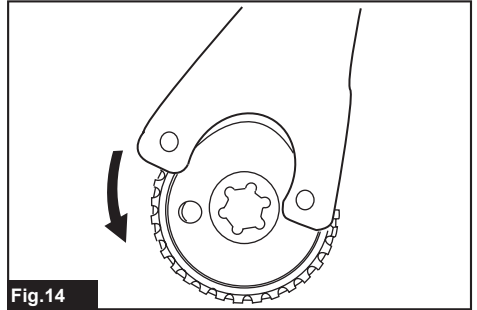


Fig.14

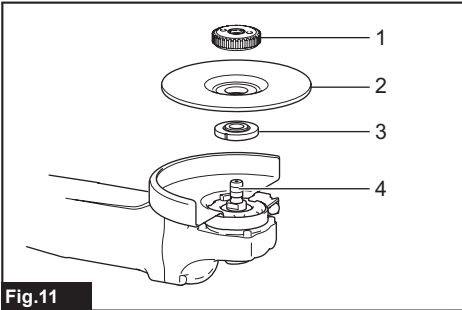


Fig.11

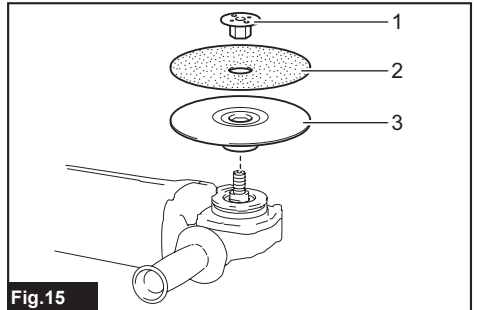


Fig.15

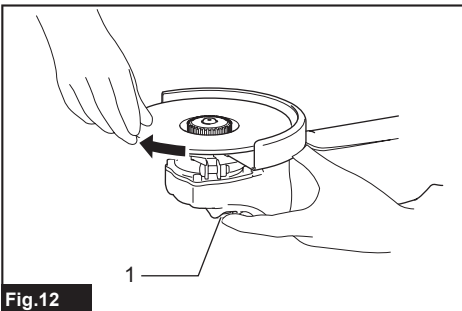


Fig.12

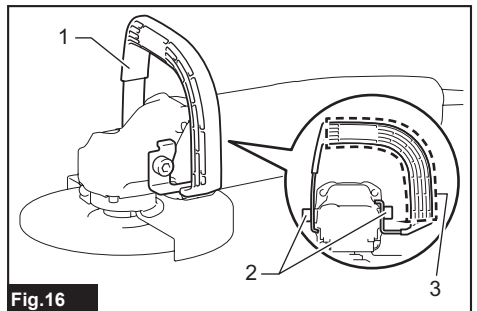
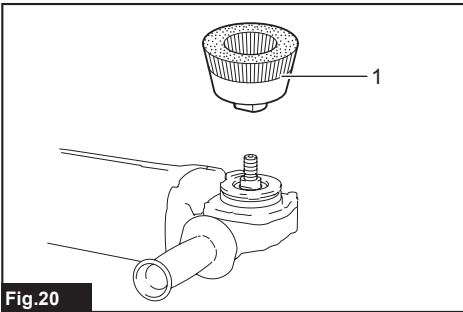
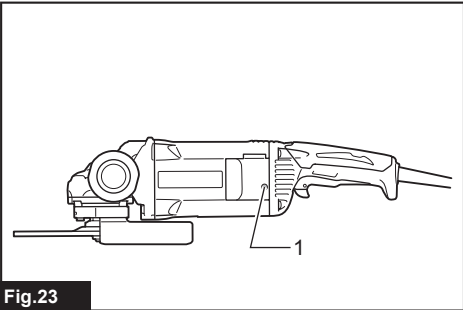
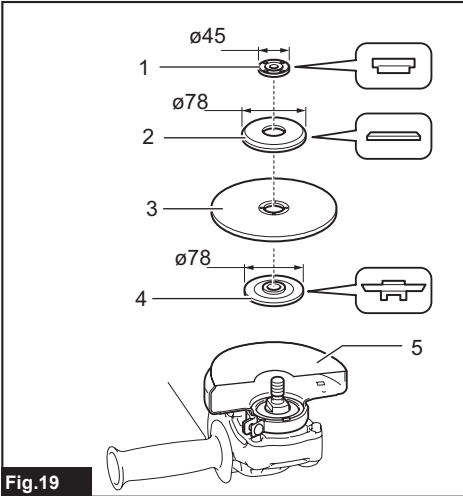
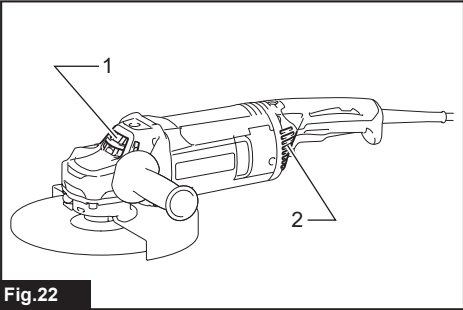
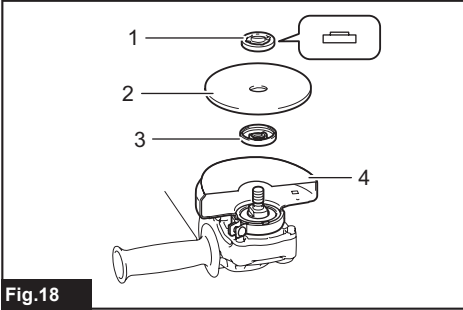
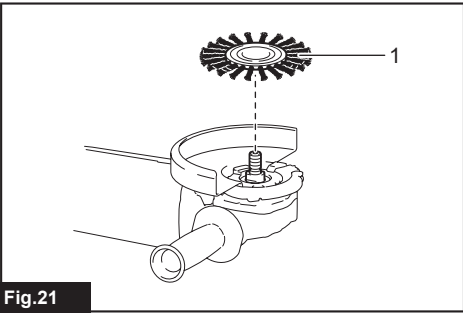
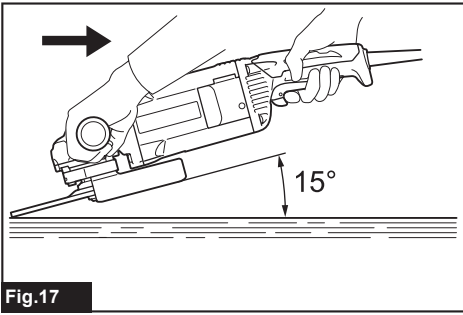


Fig.16



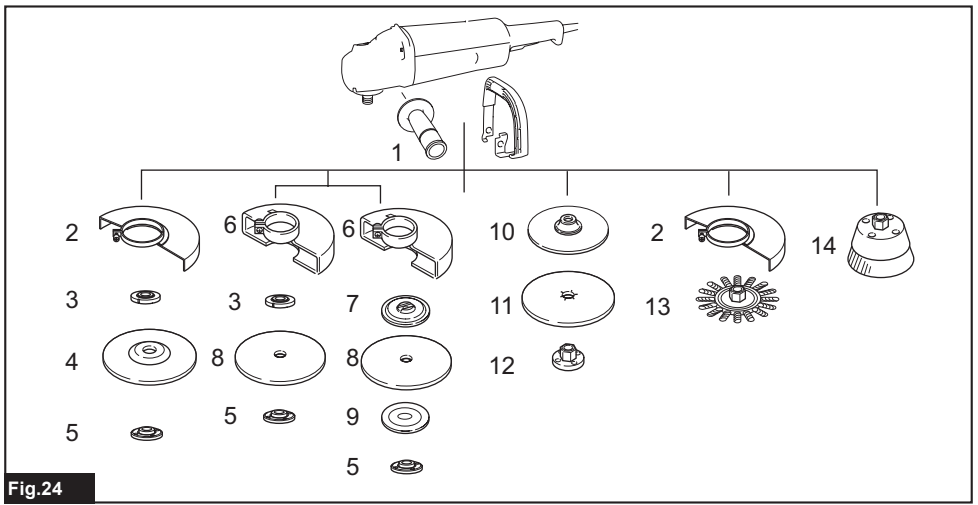


Fig.24

SPECIFICATIONS

Model:	GA7061	GA7061R	GA9061	GA9061R
Wheel diameter	180mm		230mm	
Max. wheel thickness	7.2mm		6.5mm	
Spindle thread	M14 or M16 or 5/8" (country specific)			
Rated speed (n)	8,500min ⁻¹		6,600min ⁻¹	
Overall length	450mm			
Net weight	5.5kg		5.7kg	
Safety class	□/II			

- Due to our continuing program of research and development, the specifications herein are subject to change without notice.
- Specifications may differ from country to country.
- Weight according to EPTA-Procedure 01/2003

Symbols

The following show the symbols used for the equipment. Be sure that you understand their meaning before use.



Read instruction manual.



Wear safety glasses.



DOUBLE INSULATION



Only for EU countries
Do not dispose of electric equipment together with household waste material! In observance of the European Directive, on Waste Electric and Electronic Equipment and its implementation in accordance with national law, electric equipment that have reached the end of their life must be collected separately and returned to an environmentally compatible recycling facility.

Intended use

The tool is intended for grinding, sanding and cutting of metal and stone materials without the use of water.

Power supply

The tool should be connected only to a power supply of the same voltage as indicated on the nameplate, and can only be operated on single-phase AC supply. They are double-insulated and can, therefore, also be used from sockets without earth wire.

General power tool safety warnings

⚠ WARNING: Read all safety warnings and all instructions. Failure to follow the warnings and instructions may result in electric shock, fire and/or serious injury.

Save all warnings and instructions for future reference.

The term "power tool" in the warnings refers to your mains-operated (corded) power tool or battery-operated (cordless) power tool.

Work area safety

1. **Keep work area clean and well lit.** Cluttered or dark areas invite accidents.
2. **Do not operate power tools in explosive atmospheres, such as in the presence of flammable liquids, gases or dust.** Power tools create sparks which may ignite the dust or fumes.
3. **Keep children and bystanders away while operating a power tool.** Distractions can cause you to lose control.

Electrical Safety

1. **Power tool plugs must match the outlet. Never modify the plug in any way. Do not use any adapter plugs with earthed (grounded) power tools.** Unmodified plugs and matching outlets will reduce risk of electric shock.
2. **Avoid body contact with earthed or grounded surfaces, such as pipes, radiators, ranges and refrigerators.** There is an increased risk of electric shock if your body is earthed or grounded.
3. **Do not expose power tools to rain or wet conditions.** Water entering a power tool will increase the risk of electric shock.
4. **Do not abuse the cord. Never use the cord for carrying, pulling or unplugging the power tool. Keep cord away from heat, oil, sharp edges or moving parts.** Damaged or entangled cords increase the risk of electric shock.

5. **When operating a power tool outdoors, use an extension cord suitable for outdoor use.** Use of a cord suitable for outdoor use reduces the risk of electric shock.
6. **If operating a power tool in a damp location is unavoidable, use a residual current device (RCD) protected supply.** Use of an RCD reduces the risk of electric shock.
7. **Use of power supply via an RCD with a rated residual current of 30 mA or less is always recommended.**

Personal Safety

1. **Stay alert, watch what you are doing and use common sense when operating a power tool. Do not use a power tool while you are tired or under the influence of drugs, alcohol or medication.** A moment of inattention while operating power tools may result in serious personal injury.
2. **Use personal protective equipment. Always wear eye protection.** Protective equipment such as a dust mask, non-skid safety shoes, hard hat or hearing protection used for appropriate conditions will reduce personal injuries.
3. **Prevent unintentional starting. Ensure the switch is in the off-position before connecting to power source and/or battery pack, picking up or carrying the tool.** Carrying power tools with your finger on the switch or energising power tools that have the switch on invites accidents.
4. **Remove any adjusting key or wrench before turning the power tool on.** A wrench or a key left attached to a rotating part of the power tool may result in personal injury.
5. **Do not overreach. Keep proper footing and balance at all times.** This enables better control of the power tool in unexpected situations.
6. **Dress properly. Do not wear loose clothing or jewellery. Keep your hair, clothing, and gloves away from moving parts.** Loose clothes, jewellery or long hair can be caught in moving parts.
7. **If devices are provided for the connection of dust extraction and collection facilities, ensure these are connected and properly used.** Use of dust collection can reduce dust-related hazards.

Power tool use and care

1. **Do not force the power tool. Use the correct power tool for your application.** The correct power tool will do the job better and safer at the rate for which it was designed.
2. **Do not use the power tool if the switch does not turn it on and off.** Any power tool that cannot be controlled with the switch is dangerous and must be repaired.
3. **Disconnect the plug from the power source and/or the battery pack from the power tool before making any adjustments, changing accessories, or storing power tools.** Such preventive safety measures reduce the risk of starting the power tool accidentally.
4. **Store idle power tools out of the reach of children and do not allow persons unfamiliar with the power tool or these instructions to operate the power tool.** Power tools are dangerous in the hands of untrained users.

5. **Maintain power tools. Check for misalignment or binding of moving parts, breakage of parts and any other condition that may affect the power tool's operation. If damaged, have the power tool repaired before use.** Many accidents are caused by poorly maintained power tools.
6. **Keep cutting tools sharp and clean.** Properly maintained cutting tools with sharp cutting edges are less likely to bind and are easier to control.
7. **Use the power tool, accessories and tool bits etc. in accordance with these instructions, taking into account the working conditions and the work to be performed.** Use of the power tool for operations different from those intended could result in a hazardous situation.

Service

1. **Have your power tool serviced by a qualified repair person using only identical replacement parts.** This will ensure that the safety of the power tool is maintained.
2. **Follow instruction for lubricating and changing accessories.**
3. **Keep handles dry, clean and free from oil and grease.**

Grinder safety warnings

Safety Warnings Common for Grinding, Sanding, Wire Brushing, or Abrasive Cutting-Off Operations:

1. **This power tool is intended to function as a grinder, sander, wire brush or cut-off tool. Read all safety warnings, instructions, illustrations and specifications provided with this power tool.** Failure to follow all instructions listed below may result in electric shock, fire and/or serious injury.
2. **Operations such as polishing are not recommended to be performed with this power tool.** Operations for which the power tool was not designed may create a hazard and cause personal injury.
3. **Do not use accessories which are not specifically designed and recommended by the tool manufacturer.** Just because the accessory can be attached to your power tool, it does not assure safe operation.
4. **The rated speed of the accessory must be at least equal to the maximum speed marked on the power tool.** Accessories running faster than their rated speed can break and fly apart.
5. **The outside diameter and the thickness of your accessory must be within the capacity rating of your power tool.** Incorrectly sized accessories cannot be adequately guarded or controlled.
6. **Threaded mounting of accessories must match the grinder spindle thread. For accessories mounted by flanges, the arbour hole of the accessory must fit the locating diameter of the flange.** Accessories that do not match the mounting hardware of the power tool will run out of balance, vibrate excessively and may cause loss of control.

7. **Do not use a damaged accessory. Before each use inspect the accessory such as abrasive wheels for chips and cracks, backing pad for cracks, tear or excess wear, wire brush for loose or cracked wires. If power tool or accessory is dropped, inspect for damage or install an undamaged accessory. After inspecting and installing an accessory, position yourself and bystanders away from the plane of the rotating accessory and run the power tool at maximum no-load speed for one minute.** Damaged accessories will normally break apart during this test time.
8. **Wear personal protective equipment. Depending on application, use face shield, safety goggles or safety glasses. As appropriate, wear dust mask, hearing protectors, gloves and workshop apron capable of stopping small abrasive or workpiece fragments.** The eye protection must be capable of stopping flying debris generated by various operations. The dust mask or respirator must be capable of filtering particles generated by your operation. Prolonged exposure to high intensity noise may cause hearing loss.
9. **Keep bystanders a safe distance away from work area. Anyone entering the work area must wear personal protective equipment.** Fragments of workpiece or of a broken accessory may fly away and cause injury beyond immediate area of operation.
10. **Hold the power tool by insulated gripping surfaces only, when performing an operation where the cutting accessory may contact hidden wiring or its own cord.** Cutting accessory contacting a "live" wire may make exposed metal parts of the power tool "live" and could give the operator an electric shock.
11. **Position the cord clear of the spinning accessory.** If you lose control, the cord may be cut or snagged and your hand or arm may be pulled into the spinning accessory.
12. **Never lay the power tool down until the accessory has come to a complete stop.** The spinning accessory may grab the surface and pull the power tool out of your control.
13. **Do not run the power tool while carrying it at your side.** Accidental contact with the spinning accessory could snag your clothing, pulling the accessory into your body.
14. **Regularly clean the power tool's air vents.** The motor's fan will draw the dust inside the housing and excessive accumulation of powdered metal may cause electrical hazards.
15. **Do not operate the power tool near flammable materials.** Sparks could ignite these materials.
16. **Do not use accessories that require liquid coolants.** Using water or other liquid coolants may result in electrocution or shock.

Kickback and Related Warnings

Kickback is a sudden reaction to a pinched or snagged rotating wheel, backing pad, brush or any other accessory. Pinching or snagging causes rapid stalling of the rotating accessory which in turn causes the uncontrolled power tool to be forced in the direction opposite of the accessory's rotation at the point of the binding. For example, if an abrasive wheel is snagged or pinched by the workpiece, the edge of the wheel that is entering into the pinch point can dig into the surface of the material causing the wheel to climb out or kick out. The wheel may either jump toward or away from the operator, depending on direction of the wheel's movement at the point of pinching. Abrasive wheels may also break under these conditions.

Kickback is the result of power tool misuse and/or incorrect operating procedures or conditions and can be avoided by taking proper precautions as given below.

1. **Maintain a firm grip on the power tool and position your body and arm to allow you to resist kickback forces. Always use auxiliary handle, if provided, for maximum control over kickback or torque reaction during start-up.** The operator can control torque reactions or kickback forces, if proper precautions are taken.
2. **Never place your hand near the rotating accessory.** Accessory may kickback over your hand.
3. **Do not position your body in the area where power tool will move if kickback occurs.** Kickback will propel the tool in direction opposite to the wheel's movement at the point of snagging.
4. **Use special care when working corners, sharp edges etc. Avoid bouncing and snagging the accessory.** Corners, sharp edges or bouncing have a tendency to snag the rotating accessory and cause loss of control or kickback.
5. **Do not attach a saw chain woodcarving blade or toothed saw blade.** Such blades create frequent kickback and loss of control.

Safety Warnings Specific for Grinding and Abrasive Cutting-Off Operations:

1. **Use only wheel types that are recommended for your power tool and the specific guard designed for the selected wheel.** Wheels for which the power tool was not designed cannot be adequately guarded and are unsafe.
2. **The grinding surface of centre depressed wheels must be mounted below the plane of the guard lip.** An improperly mounted wheel that projects through the plane of the guard lip cannot be adequately protected.
3. **The guard must be securely attached to the power tool and positioned for maximum safety, so the least amount of wheel is exposed towards the operator.** The guard helps to protect the operator from broken wheel fragments, accidental contact with wheel and sparks that could ignite clothing.
4. **Wheels must be used only for recommended applications. For example: do not grind with the side of cut-off wheel.** Abrasive cut-off wheels are intended for peripheral grinding, side forces applied to these wheels may cause them to shatter.

5. **Always use undamaged wheel flanges that are of correct size and shape for your selected wheel.** Proper wheel flanges support the wheel thus reducing the possibility of wheel breakage. Flanges for cut-off wheels may be different from grinding wheel flanges.
6. **Do not use worn down wheels from larger power tools.** Wheel intended for larger power tool is not suitable for the higher speed of a smaller tool and may burst.

Additional Safety Warnings Specific for Abrasive Cutting-Off Operations:

1. **Do not “jam” the cut-off wheel or apply excessive pressure. Do not attempt to make an excessive depth of cut.** Overstressing the wheel increases the loading and susceptibility to twisting or binding of the wheel in the cut and the possibility of kickback or wheel breakage.
2. **Do not position your body in line with and behind the rotating wheel.** When the wheel, at the point of operation, is moving away from your body, the possible kickback may propel the spinning wheel and the power tool directly at you.
3. **When wheel is binding or when interrupting a cut for any reason, switch off the power tool and hold the power tool motionless until the wheel comes to a complete stop. Never attempt to remove the cut-off wheel from the cut while the wheel is in motion otherwise kickback may occur.** Investigate and take corrective action to eliminate the cause of wheel binding.
4. **Do not restart the cutting operation in the workpiece. Let the wheel reach full speed and carefully re-enter the cut.** The wheel may bind, walk up or kickback if the power tool is restarted in the workpiece.
5. **Support panels or any oversized workpiece to minimize the risk of wheel pinching and kickback.** Large workpieces tend to sag under their own weight. Supports must be placed under the workpiece near the line of cut and near the edge of the workpiece on both sides of the wheel.
6. **Use extra caution when making a “pocket cut” into existing walls or other blind areas.** The protruding wheel may cut gas or water pipes, electrical wiring or objects that can cause kickback.

Safety Warnings Specific for Sanding Operations:

1. **Do not use excessively oversized sanding disc paper. Follow manufacturers recommendations, when selecting sanding paper.** Larger sanding paper extending beyond the sanding pad presents a laceration hazard and may cause snagging, tearing of the disc or kickback.

Safety Warnings Specific for Wire Brushing Operations:

1. **Be aware that wire bristles are thrown by the brush even during ordinary operation. Do not overstress the wires by applying excessive load to the brush.** The wire bristles can easily penetrate light clothing and/or skin.
2. **If the use of a guard is recommended for wire brushing, do not allow any interference of the wire wheel or brush with the guard.** Wire wheel or brush may expand in diameter due to work load and centrifugal forces.

Additional Safety Warnings:

1. **When using depressed centre grinding wheels, be sure to use only fiberglass-reinforced wheels.**
2. **NEVER USE Stone Cup type wheels with this grinder.** This grinder is not designed for these types of wheels and the use of such a product may result in serious personal injury.
3. **Be careful not to damage the spindle, the flange (especially the installing surface) or the lock nut.** Damage to these parts could result in wheel breakage.
4. **Make sure the wheel is not contacting the workpiece before the switch is turned on.**
5. **Before using the tool on an actual workpiece, let it run for a while. Watch for vibration or wobbling that could indicate poor installation or a poorly balanced wheel.**
6. **Use the specified surface of the wheel to perform the grinding.**
7. **Do not leave the tool running. Operate the tool only when hand-held.**
8. **Do not touch the workpiece immediately after operation; it may be extremely hot and could burn your skin.**
9. **Observe the instructions of the manufacturer for correct mounting and use of wheels. Handle and store wheels with care.**
10. **Do not use separate reducing bushings or adaptors to adapt large hole abrasive wheels.**
11. **Use only flanges specified for this tool.**
12. **For tools intended to be fitted with threaded hole wheel, ensure that the thread in the wheel is long enough to accept the spindle length.**
13. **Check that the workpiece is properly supported.**
14. **Pay attention that the wheel continues to rotate after the tool is switched off.**
15. **If working place is extremely hot and humid, or badly polluted by conductive dust, use a short-circuit breaker (30 mA) to assure operator safety.**
16. **Do not use the tool on any materials containing asbestos.**
17. **When use cut-off wheel, always work with the dust collecting wheel guard required by domestic regulation.**
18. **Cutting discs must not be subjected to any lateral pressure.**
19. **Do not use cloth work gloves during operation.** Fibers from cloth gloves may enter the tool, which causes tool breakage.

SAVE THESE INSTRUCTIONS.

⚠WARNING: DO NOT let comfort or familiarity with product (gained from repeated use) replace strict adherence to safety rules for the subject product. MISUSE or failure to follow the safety rules stated in this instruction manual may cause serious personal injury.

FUNCTIONAL DESCRIPTION

CAUTION: Always be sure that the tool is switched off and unplugged before adjusting or checking function on the tool.

CAUTION: Return the switch trigger to the "OFF" position in case of accidental unplugging, blackout, or the power is cut unintentionally. Otherwise the tool may start suddenly when the power returns and it may result in personal injury.

Shaft lock

Press the shaft lock to prevent spindle rotation when installing or removing accessories.

► Fig.1: 1. Shaft lock

NOTICE: Never actuate the shaft lock when the spindle is moving. The tool may be damaged.

Switch action

CAUTION: Before plugging in the tool, always check to see that the switch trigger actuates properly and returns to the "OFF" position when released.

► Fig.2: 1. Switch trigger 2. Lock lever

For tool with the lock-on switch

CAUTION: Switch can be locked in "ON" position for ease of operator comfort during extended use. Apply caution when locking tool in "ON" position and maintain firm grasp on tool.

To start the tool, simply pull the switch trigger (in the B direction). Release the switch trigger to stop. For continuous operation, pull the switch trigger (in the B direction) and then push in the lock lever (in the A direction). To stop the tool from the locked position, pull the switch trigger fully (in the B direction), then release it.

For tool with the lock-off switch

To prevent the switch trigger from accidentally pulled, a lock lever is provided.

To start the tool, push in the lock lever (in the A direction) and then pull the switch trigger (in the B direction). Release the switch trigger to stop.

NOTICE: Do not pull the switch trigger hard without pressing in the lock-off button. This can cause switch breakage.

For tool with the lock-on and lock-off switch

CAUTION: Switch can be locked in "ON" position for ease of operator comfort during extended use. Apply caution when locking tool in "ON" position and maintain firm grasp on tool.

To prevent the switch trigger from accidentally pulled, a lock lever is provided.

To start the tool, push in the lock lever (in the A direction) and then pull the switch trigger (in the B direction). Release the switch trigger to stop.

For continuous operation, push in the lock lever (in the A direction), pull the switch trigger (in the B direction) and then pull the lock lever (in the C direction).

To stop the tool from the locked position, pull the switch trigger fully (in the B direction), then release it.

NOTICE: Do not pull the switch trigger hard without pressing in the lock-off button. This can cause switch breakage.

Indication lamp

Only for model GA7061R / GA9061R

► Fig.3: 1. Indication lamp

The indication lamp lights up green when the tool is plugged.

If the indication lamp does not light up, the mains cord or the controller may be defective.

The indication lamp is lit but the tool does not start even if the tool is switched on, the carbon brushes may be worn out, or the controller, the motor or the ON/OFF switch may be defective.

Unintentional restart proof

The tool does not start with the switch being lock-on even when the tool is plugged.

At this time, the indication lamp flickers red and shows the unintentional restart proof device is on function.

To cancel the unintentional restart proof, return the power switch to OFF position.

NOTE: Wait more than one second before restarting the tool when unintentional restart proof functions.

Soft start feature

Soft start feature reduces starting reaction.

ASSEMBLY

CAUTION: Always be sure that the tool is switched off and unplugged before carrying out any work on the tool.

Installing side grip (handle)

⚠ CAUTION: Always be sure that the side grip is installed securely before operation.

Screw the side grip securely on the position of the tool as shown in the figure.

► Fig.4

Installing or removing wheel guard (For depressed center wheel, flap disc, flex wheel, wire wheel brush / abrasive cut-off wheel, diamond wheel)

⚠ WARNING: When using a depressed center wheel, flap disc, flex wheel or wire wheel brush, the wheel guard must be fitted on the tool so that the closed side of the guard always points toward the operator.

⚠ WARNING: When using an abrasive cut-off / diamond wheel, be sure to use only the special wheel guard designed for use with cut-off wheels. (In some European countries, when using a diamond wheel, the ordinary guard can be used. Follow the regulations in your country.)

For tool with locking screw type wheel guard

Mount the wheel guard with the protrusions on the wheel guard band aligned with the notches on the bearing box. Then rotate the wheel guard to such an angle that it can protect the operator according to work. Be sure to tighten the screw securely.

To remove wheel guard, follow the installation procedure in reverse.

► Fig.5: 1. Wheel guard 2. Bearing box 3. Screw

For tool with clamp lever type wheel guard

Loosen the screw, and then pull the lever in the direction of the arrow. Mount the wheel guard with the protrusions on the wheel guard band aligned with the notches on the bearing box. Then rotate the wheel guard to such an angle that it can protect the operator according to work.

► Fig.6: 1. Wheel guard 2. Bearing box 3. Screw
4. Lever

Pull the lever in direction of the arrow. Then tighten the wheel guard with fastening the screw. Be sure to tighten the screw securely. The setting angle of the wheel guard can be adjusted with the lever.

► Fig.7: 1. Screw 2. Lever

To remove wheel guard, follow the installation procedure in reverse.

Installing or removing depressed center wheel or flap disc

Optional accessory

⚠ WARNING: When using a depressed center wheel or flap disc, the wheel guard must be fitted on the tool so that the closed side of the guard always points toward the operator.

⚠ CAUTION: Make sure that the mounting part of the inner flange fits into the inner diameter of the depressed center wheel / flap disc perfectly. Mounting the inner flange on the wrong side may result in the dangerous vibration.

Mount the inner flange onto the spindle. Make sure to fit the dented part of the inner flange onto the straight part at the bottom of the spindle. Fit the wheel/ disc on the inner flange and screw the lock nut with its protrusion facing downward (facing towards the wheel).

► Fig.8: 1. Lock nut 2. Depressed center wheel
3. Inner flange 4. Mounting part

To tighten the lock nut, press the shaft lock firmly so that the spindle cannot revolve, then use the lock nut wrench and securely tighten clockwise.

► Fig.9: 1. Lock nut wrench 2. Shaft lock

To remove the wheel, follow the installation procedure in reverse.

Installing or removing flex wheel

Optional accessory

⚠ WARNING: Always use supplied guard when flex wheel is on tool. Wheel can shatter during use and guard helps to reduce chances of personal injury.

► Fig.10: 1. Lock nut 2. Flex wheel 3. Back up pad
4. Inner flange

Follow instructions for depressed center wheel but also use back up pad over wheel. See order of assembly on accessories page in this manual.

Super flange

Optional accessory

Only for tools with M14 spindle thread.

Models with the letter F are standard-equipped with Super flange. Only 1/3 of efforts needed to undo lock nut, compared with conventional type.

Installing or removing Ezynut

Optional accessory

Only for tools with M14 spindle thread.

CAUTION: Do not use Ezynut with Super Flange or angle grinder with "F" on the end of the model No. Those flanges are so thick that the entire thread cannot be retained by the spindle.

Mount inner flange, abrasive wheel and Ezynut onto the spindle so that Makita Logo on Ezynut faces outside.

► **Fig.11:** 1. Ezynut 2. Abrasive wheel 3. Inner flange
4. Spindle

Press shaft lock firmly and tighten Ezynut by turning the abrasive wheel clockwise as far as it turns.

► **Fig.12:** 1. Shaft lock

To loosen the Ezynut, turn the outside ring of Ezynut counterclockwise.

NOTE: Ezynut can be loosened by hand as long as the arrow points the notch. Otherwise a lock nut wrench is required to loosen it. Insert one pin of the wrench into a hole and turn Ezynut counterclockwise.

► **Fig.13:** 1. Arrow 2. Notch

► **Fig.14**

Installing or removing abrasive disc

Optional accessory

► **Fig.15:** 1. Sanding lock nut 2. Abrasive disc
3. Rubber pad

1. Mount the rubber pad onto the spindle.
2. Fit the disc on the rubber pad and screw the sanding lock nut onto the spindle.
3. Hold the spindle with the shaft lock, and securely tighten the sanding lock nut clockwise with the lock nut wrench.

To remove the disc, follow the installation procedure in reverse.

NOTE: Use sander accessories specified in this manual. These must be purchased separately.

Installing or removing loop handle

Optional accessory

CAUTION: Always be sure the bolts on the loop handle is securely tightened before use.

CAUTION: Hold the gripping area of the loop handle specified in the figure. Also, keep the hand away from the metal part of the grinder during operation. Touching the metal part may result in electric shock, if the cutting attachment cuts live wire unexpectedly.

► **Fig.16:** 1. Loop handle 2. Bolt 3. Gripping area

The loop handle may be more comfortable than the original side grip for some applications. To install the loop handle, put it onto the tool as illustrated and tighten two bolts to fix it.

To remove the loop handle, follow the installation procedure in reverse.

OPERATION

WARNING: It should never be necessary to force the tool. The weight of the tool applies adequate pressure. Forcing and excessive pressure could cause dangerous wheel breakage.

WARNING: ALWAYS replace wheel if tool is dropped while grinding.

WARNING: NEVER bang or hit grinding disc or wheel onto work.

WARNING: Avoid bouncing and snagging the wheel, especially when working corners, sharp edges etc. This can cause loss of control and kickback.

WARNING: NEVER use tool with wood cutting blades and other saw blades. Such blades when used on a grinder frequently kick and cause loss of control leading to personal injury.

CAUTION: Never switch on the tool when it is in contact with the workpiece, it may cause an injury to operator.

CAUTION: Always wear safety goggles or a face shield during operation.

CAUTION: After operation, always switch off the tool and wait until the wheel has come to a complete stop before putting the tool down.

CAUTION: ALWAYS hold the tool firmly with one hand on housing and the other on the side grip (handle).

Grinding and sanding operation

► **Fig.17**

Turn the tool on and then apply the wheel or disc to the workpiece.

In general, keep the edge of the wheel or disc at an angle of about 15° to the workpiece surface.

During the break-in period with a new wheel, do not work the grinder in forward direction or it may cut into the workpiece. Once the edge of the wheel has been rounded off by use, the wheel may be worked in both forward and backward direction.

Operation with abrasive cut-off / diamond wheel

Optional accessory

⚠ WARNING: When using an abrasive cut-off / diamond wheel, be sure to use only the special wheel guard designed for use with cut-off wheels.

(In some European countries, when using a diamond wheel, the ordinary guard can be used. Follow the regulations in your country.)

⚠ WARNING: NEVER use cut-off wheel for side grinding.

⚠ WARNING: Do not “jam” the wheel or apply excessive pressure. Do not attempt to make an excessive depth of cut. Overstressing the wheel increases the loading and susceptibility to twisting or binding of the wheel in the cut and the possibility of kickback, wheel breakage and overheating of the motor may occur.

⚠ WARNING: Do not start the cutting operation in the workpiece. Let the wheel reach full speed and carefully enter into the cut moving the tool forward over the workpiece surface. The wheel may bind, walk up or kickback if the power tool is started in the workpiece.

⚠ WARNING: During cutting operations, never change the angle of the wheel. Placing side pressure on the cut-off wheel (as in grinding) will cause the wheel to crack and break, causing serious personal injury.

⚠ WARNING: A diamond wheel shall be operated perpendicular to the material being cut.

Mount the inner flange onto the spindle.

Fit the wheel / disc on the inner flange and screw the lock nut onto the spindle.

► **Fig.18:** 1. Lock nut 2. Abrasive cut-off wheel / diamond wheel 3. Inner flange 4. Wheel guard for abrasive cut-off wheel / diamond wheel

For Australia and New Zealand

► **Fig.19:** 1. Lock nut 2. Outer flange 78 3. Abrasive cut-off wheel / diamond wheel 4. Inner flange 78 5. Wheel guard for abrasive cut-off wheel / diamond wheel

Operation with wire cup brush

Optional accessory

⚠ CAUTION: Check operation of brush by running tool with no load, insuring that no one is in front of or in line with brush.

⚠ CAUTION: Do not use brush that is damaged, or which is out of balance. Use of damaged brush could increase potential for injury from contact with broken brush wires.

► **Fig.20:** 1. Wire cup brush

Unplug tool and place it upside down allowing easy access to spindle.

Remove any accessories on spindle. Thread wire cup brush onto spindle and tighten with supplied wrench.

NOTICE: Avoid applying too much pressure which causes over bending of wires when using brush. It may lead to premature breakage.

Operation with wire wheel brush

Optional accessory

⚠ CAUTION: Check operation of wire wheel brush by running tool with no load, insuring that no one is in front of or in line with the wire wheel brush.

⚠ CAUTION: Do not use wire wheel brush that is damaged, or which is out of balance. Use of damaged wire wheel brush could increase potential for injury from contact with broken wires.

⚠ CAUTION: ALWAYS use guard with wire wheel brushes, assuring diameter of wheel fits inside guard. Wheel can shatter during use and guard helps to reduce chances of personal injury.

► **Fig.21:** 1. Wire wheel brush

Unplug tool and place it upside down allowing easy access to spindle.

Remove any accessories on spindle. Thread wire wheel brush onto spindle and tighten with the wrenches.

NOTICE: Avoid applying too much pressure which causes over bending of wires when using wire wheel brush. It may lead to premature breakage.

MAINTENANCE

⚠ CAUTION: Always be sure that the tool is switched off and unplugged before attempting to perform inspection or maintenance.

NOTICE: Never use gasoline, benzine, thinner, alcohol or the like. Discoloration, deformation or cracks may result.

Air vent cleaning

The tool and its air vents have to be kept clean.

Regularly clean the tool's air vents or whenever the vents start to become obstructed.

► **Fig.22:** 1. Exhaust vent 2. Inhalation vent

NOTE: Do not loosen the screw on the name plate cover. Otherwise the cover may be opened accidentally.

► **Fig.23:** 1. Screw

To maintain product SAFETY and RELIABILITY, repairs, any other maintenance or adjustment should be performed by Makita Authorized or Factory Service Centers, always using Makita replacement parts.

OPTIONAL ACCESSORIES

⚠ CAUTION: These accessories or attachments are recommended for use with your Makita tool specified in this manual. The use of any other accessories or attachments might present a risk of injury to persons. Only use accessory or attachment for its stated purpose.

If you need any assistance for more details regarding these accessories, ask your local Makita Service Center.

► Fig.24

1	Side grip / Loop handle
2	Wheel guard for depressed center grinding wheel / flap disc / wire wheel brush
3	Inner flange / Super flange *1*2
4	Depressed center grinding wheel / Flap disc
5	Lock nut / Ezynut *1*2
6	Wheel guard for abrasive cut off wheel / diamond wheel *3
7	Inner flange 78 (Australia and New Zealand only) *4
8	Abrasive cut-off wheel / Diamond wheel
9	Outer flange 78 (Australia and New Zealand only) *4
10	Rubber pad
11	Abrasive disc
12	Sanding lock nut
13	Wire wheel brush
14	Wire cup brush
-	Lock nut wrench
-	Dust cover attachment

NOTE: *1 Only for tools with M14 spindle thread.

NOTE: *2 Do not use Super flange and Ezynut together.

NOTE: *3 In some European countries, when using a diamond wheel, the ordinary guard can be used instead of the special guard covering the both side of the wheel. Follow the regulations in your country.

NOTE: *4 Use Inner flange 78 and Outer flange 78 together. (Australia and New Zealand only)

NOTE: Some items in the list may be included in the tool package as standard accessories. They may differ from country to country.

SPEKIFIKASI

Model:	GA7061	GA7061R	GA9061	GA9061R
Diameter roda	180 mm		230 mm	
Ketebalan roda maks.	7,2 mm		6,5 mm	
Ulir spindel	M14 atau M16 atau 5/8" (tergantung negara)			
Kecepatan terukur (n)	8.500 min ⁻¹		6.600 min ⁻¹	
Panjang keseluruhan	450 mm			
Berat bersih	5,5 kg		5,7 kg	
Kelas keamanan	□/II			

- Karena kesinambungan program penelitian dan pengembangan kami, spesifikasi yang disebutkan di sini dapat berubah tanpa pemberitahuan.
- Spesifikasi dapat berbeda dari satu negara ke negara lainnya.
- Berat menurut Prosedur EPTA 01/2003

Simbol

Berikut ini adalah simbol-simbol yang digunakan pada peralatan ini. Pastikan Anda mengerti makna masing-masing simbol sebelum menggunakan alat.



Baca petunjuk penggunaan.



Gunakan kaca mata pengaman.



ISOLASI GANDA



Hanya untuk negara-negara Uni Eropa
Jangan membuang peralatan listrik atau baterai bersama-sama dengan bahan limbah rumah tangga! Dengan memerhatikan Petunjuk Eropa, tentang Limbah Peralatan Listrik dan Elektronik serta pelaksanaannya sesuai dengan ketentuan hukum nasional, peralatan listrik yang telah habis umur pakainya harus dikumpulkan secara terpisah dan dikembalikan ke fasilitas daur ulang yang kompatibel secara lingkungan.

Penggunaan

Mesin ini dirancang untuk menggerinda, mengampelas dan memotong logam dan material batuan tanpa menggunakan air.

Pasokan daya

Mesin harus terhubung dengan pasokan daya listrik yang bervoltase sama dengan yang tertera pada pelat nama, dan hanya dapat dijalankan dengan listrik AC fase tunggal. Mesin diisolasi ganda dan oleh sebab itu dapat dihubungkan dengan soket tanpa kabel.

Peringatan keselamatan umum mesin listrik

⚠ PERINGATAN: Bacalah semua peringatan keselamatan dan semua petunjuk. Kelalaian mematuhi peringatan dan petunjuk dapat menyebabkan sengatan listrik, kebakaran dan/atau cedera serius.

Simpanlah semua peringatan dan petunjuk untuk acuan di masa depan.

Istilah "mesin listrik" dalam semua peringatan mengacu pada mesin listrik yang dijalankan dengan sumber listrik jala-jala (berkabel) atau baterai (tanpa kabel).

Keselamatan tempat kerja

1. **Jaga tempat kerja selalu bersih dan berpenerangan cukup.** Tempat kerja yang berantakan dan gelap mengundang kecelakaan.
2. **Jangan gunakan mesin listrik dalam lingkungan yang mudah meledak, misalnya jika ada cairan, gas, atau debu yang mudah menyala.** Mesin listrik menimbulkan bunga api yang dapat menyala debu atau uap tersebut.
3. **Jauhkan anak-anak dan orang lain saat menggunakan mesin listrik.** Bila perhatian terpecah, anda dapat kehilangan kendali.

Keamanan Kelistrikan

1. **Steker mesin listrik harus cocok dengan stopkontak. Jangan sekali-kali mengubah steker dengan cara apa pun. Jangan menggunakan steker adaptor dengan mesin listrik terbumi (dibumikan).** Steker yang tidak diubah dan stopkontak yang cocok akan mengurangi risiko sengatan listrik.
2. **Hindari sentuhan tubuh dengan permukaan terbumi atau yang dibumikan seperti pipa, radiator, kompor, dan kulkas.** Risiko sengatan listrik bertambah jika tubuh Anda terbumikan atau dibumikan.

3. **Jangan membiarkan mesin listrik kehujanan atau kebasahan.** Air yang masuk ke dalam mesin listrik akan meningkatkan risiko sengatan listrik.
4. **Jangan menyalahgunakan kabel.** Jangan sekali-kali menggunakan kabel untuk membawa, menarik, atau mencabut mesin listrik dari stopkontak. Jauhkan kabel dari panas, minyak, tepian tajam, atau bagian yang bergerak. Kabel yang rusak atau kusut memperbesar risiko sengatan listrik.
5. **Bila menggunakan mesin listrik di luar ruangan, gunakan kabel ekstensi yang sesuai untuk penggunaan di luar ruangan.** Penggunaan kabel yang sesuai untuk penggunaan luar ruangan mengurangi risiko sengatan listrik.
6. **Jika mengoperasikan mesin listrik di lokasi lembap tidak terhindarkan, gunakan pasokan daya yang dilindungi peranti imbasan arus (residual current device - RCD).** Penggunaan RCD mengurangi risiko sengatan listrik.
7. **Penggunaan pasokan daya melalui RCD dengan kapasitas arus sisa 30 mA atau kurang selalu dianjurkan.**
7. **Jika tersedia fasilitas untuk menghisap dan mengumpulkan debu, pastikan fasilitas tersebut terhubung listrik dan digunakan dengan baik.** Penggunaan pembersih debu dapat mengurangi bahaya yang terkait dengan debu.

Penggunaan dan pemeliharaan mesin listrik

1. **Jangan memaksa mesin listrik. Gunakan mesin listrik yang tepat untuk keperluan Anda.** Mesin listrik yang tepat akan untaikan pekerjaan dengan lebih baik dan aman pada kecepatan sesuai rancangannya.
2. **Jangan gunakan mesin listrik jika sakelar tidak dapat menyalakan dan mematikannya.** Mesin listrik yang tidak dapat dikendalikan dengan sakelarnya adalah berbahaya dan harus diperbaiki.
3. **Cabut steker dari sumber listrik dan/atau paket baterai dari mesin listrik sebelum melakukan penyetelan, penggantian aksesoris, atau menyimpan mesin listrik.** Langkah keselamatan preventif tersebut mengurangi risiko hidupnya mesin secara tak sengaja.
4. **Simpan mesin listrik jauh dari jangkauan anak-anak dan jangan biarkan orang yang tidak paham mengenai mesin listrik tersebut atau petunjuk ini menggunakan mesin listrik.** Mesin listrik sangat berbahaya di tangan pengguna yang tak terlatih.
5. **Rawatlah mesin listrik. Periksa apakah ada bagian bergerak yang tidak lurus atau macet, bagian yang pecah dan kondisi lain yang dapat memengaruhi penggunaan mesin listrik.** Jika rusak, perbaiki dahulu mesin listrik sebelum digunakan. Banyak kecelakaan disebabkan oleh kurangnya pemeliharaan mesin listrik.
6. **Jaga agar mesin pemotong tetap tajam dan bersih.** Mesin pemotong yang terawat baik dengan mata pemotong yang tajam tidak mudah macet dan lebih mudah dikendalikan.
7. **Gunakan mesin listrik, aksesoris, dan mata mesin, dll. sesuai dengan petunjuk ini, dengan memperhitungkan kondisi kerja dan jenis pekerjaan yang dilakukan.** Penggunaan mesin listrik untuk penggunaan yang lain dari peruntukan dapat menimbulkan situasi berbahaya.

Servis

1. **Berikan mesin listrik untuk diperbaiki hanya kepada oleh teknisi yang berkualifikasi dengan menggunakan hanya suku cadang pengganti yang serupa.** Hal ini akan menjamin terjaminnya keamanan mesin listrik.
2. **Patuhi petunjuk pelumasan dan penggantian aksesoris.**
3. **Jagalah agar gagang kering, bersih, dan bebas dari minyak dan gemuk.**

Keselamatan Diri

1. **Jaga kewaspadaan, perhatikan pekerjaan Anda dan gunakan akal sehat bila menggunakan mesin listrik.** Jangan menggunakan mesin listrik saat Anda lelah atau di bawah pengaruh obat bius, alkohol, atau obat. Sekejap saja lalai saat menggunakan mesin listrik dapat menyebabkan cedera badan serius.
2. **Gunakan alat pelindung diri. Selalu gunakan pelindung mata.** Peralatan pelindung seperti masker debu, sepatu pengaman anti-selip, helm pengaman, atau pelindung telinga yang digunakan untuk kondisi yang sesuai akan mengurangi risiko cedera badan.
3. **Cegah penyalahan yang tidak disengaja.** Pastikan bahwa sakelar berada dalam posisi mati (off) sebelum menghubungkan mesin ke sumber daya dan/atau paket baterai, atau mengangkut atau membawanya. Membawa mesin listrik dengan jari Anda pada sakelarnya atau mengalirkan listrik pada mesin listrik yang sakelarnya hidup (on) akan mengundang kecelakaan.
4. **Lepaskan kunci-kunci penyetel sebelum menghidupkan mesin listrik.** Kunci-kunci yang masih terpasang pada bagian mesin listrik yang berputar dapat menyebabkan cedera.
5. **Jangan meraih terlalu jauh. Jagalah pijakan dan keseimbangan sepanjang waktu.** Hal ini memungkinkan kendali yang lebih baik atas mesin listrik dalam situasi yang tidak diharapkan.
6. **Kenakan pakaian dengan baik. Jangan memakai pakaian yang kedodoran atau perhiasan.** Jaga jarak antara rambut, pakaian, dan sarung tangan Anda dengan bagian mesin yang bergerak. Pakaian kedodoran, perhiasan, atau rambut panjang dapat tersangkut pada bagian yang bergerak.

Peringatan keselamatan penggerinda

Peringatan Keselamatan yang Umum untuk Penggerindaan, Pengampelasan, Penyikatan dengan Sikat Kawat, atau Pengoperasian Pemotongan Abrasif:

- Mesin listrik ini dirancang untuk berfungsi sebagai gerinda, pengampelas, sikat kawat atau mesin pemotong. Bacalah semua peringatan keselamatan, petunjuk, ilustrasi dan spesifikasi yang disertakan bersama mesin listrik ini.** Kelalaian untuk mematuhi semua petunjuk yang tercantum di bawah ini dapat menyebabkan sengatan listrik, kebakaran dan/atau cedera serius.
- Tidak dianjurkan menggunakan mesin listrik ini untuk melakukan pekerjaan seperti memoles.** Pekerjaan yang tidak sesuai dengan spesifikasi mesin listrik ini dapat menimbulkan bahaya dan menyebabkan cedera pada pengguna.
- Jangan gunakan aksesoris yang tidak dirancang secara khusus dan dianjurkan oleh produsen mesin.** Hanya karena aksesoris tersebut dapat dipasang pada mesin listrik Anda, bukan berarti dapat menjamin keselamatan dalam pengoperasian.
- Kecepatan terukur pada aksesoris setidaknya harus sama dengan kecepatan maksimum yang tertera pada mesin listrik.** Aksesoris yang bekerja lebih cepat dari kecepatan terukurnya mungkin saja pecah dan terlepas.
- Diameter luar dan tebal aksesoris Anda harus berada dalam nilai kapasitas mesin listrik Anda.** Aksesoris dengan ukuran yang tidak tepat tidak dapat dilindungi atau dikendalikan secara memadai.
- Pemasangan aksesoris berulir harus sesuai dengan ulir spindel gerinda. Untuk aksesoris yang dipasang menggunakan flensa, lubang punjung pada aksesoris harus cocok dengan diameter tempat pemasangan pada flensa.** Aksesoris punjung yang tidak sesuai dengan perangkat keras pemasangan mesin listrik akan bekerja secara tidak seimbang, bergetar berlebihan dan dapat menyebabkan hilangnya kendali.
- Jangan menggunakan aksesoris yang sudah rusak.** Setiap kali sebelum digunakan, periksa apakah ada patahan dan retakan pada roda abrasif, apakah ada retakan, sobekan atau keausan pada bantalan belakang, serta apakah ada kawat yang longgar atau patah pada sikat kawat. Jika mesin listrik atau aksesoris jatuh, periksa apakah terjadi kerusakan, atau pasang aksesoris yang tidak rusak. Setelah memeriksa dan memasang aksesoris, posisikan diri Anda dan orang di sekitar jauh dari bidang aksesoris yang berputar dan jalankan mesin listrik pada kecepatan maksimum tanpa beban selama satu menit. Aksesoris yang rusak umumnya akan pecah selama waktu pengujian ini.
- Kenakan alat pelindung diri. Tergantung pekerjaannya, gunakan pelindung muka, kaca mata pelindung atau kaca mata pengaman. Sesuai dengan pekerjaannya, kenakan masker debu, pelindung telinga, sarung tangan, dan apron bengkel yang mampu menahan debu gerinda atau serpihan benda kerja.** Pelindung mata harus mampu menahan debu yang berhamburan, yang ditimbulkan dari berbagai jenis pekerjaan. Masker debu atau alat pernapasan harus mampu menyaring partikel yang dihasilkan dari pekerjaan Anda. Terpaan yang berkepanjangan terhadap kebisingan berintensitas tinggi dapat menyebabkan hilangnya pendengaran.
- Jaga agar orang di sekitar berada dalam jarak aman yang jauh dari area kerja. Siapa pun yang masuk ke area kerja harus mengenakan alat pelindung diri.** Potongan benda kerja atau dari aksesoris yang rusak mungkin saja terlepas dan menyebabkan cedera di area yang langsung berdekatan dengan pekerjaan.
- Saat melakukan pekerjaan yang memiliki kemungkinan mesin pemotong bersentuhan dengan kawat tersembunyi atau kabelnya sendiri, pegang mesin listrik hanya pada permukaan genggam yang terisolasi.** Aksesoris pemotong yang menyentuh kawat "hidup" dapat menyebabkan bagian logam pada mesin teraliri arus listrik dan menyengat pengguna.
- Posisikan kabel agar tidak terkena aksesoris yang berputar.** Jika Anda kehilangan kendali, kabel mungkin saja terpotong atau tersangkut dan tangan atau lengan Anda mungkin saja tertarik oleh aksesoris yang berputar.
- Jangan sekali-kali meletakkan mesin listrik sebelum aksesorinya benar-benar berhenti.** Aksesoris yang berputar dapat menyambar permukaan dan menarik mesin listrik di luar kendali Anda.
- Jangan menyalakan mesin listrik sambil membawanya di sisi badan Anda.** Sentuhan yang tidak disengaja oleh aksesoris yang berputar dapat merobek pakaian Anda, yang akan menarik aksesoris ke arah badan Anda.
- Bersihkan ventilasi udara mesin listrik secara rutin.** Kipas motor akan menarik debu ke dalam rumahannya, dan serbuk logam yang terkumpul secara berlebihan dapat menyebabkan bahaya listrik.
- Jangan mengoperasikan mesin listrik di dekat benda-benda yang mudah terbakar.** Percikan apinya dapat menyulut benda-benda tersebut.
- Jangan menggunakan aksesoris yang membutuhkan cairan pendingin.** Menggunakan air atau cairan pendingin lain dapat mengakibatkan kematian akibat sengatan listrik.

Hentikan balik dan Peringatan Terkait

Hentikan balik merupakan reaksi tiba-tiba akibat terjepit atau tersangkutnya roda yang berputar, bantalan belakang, sikat atau aksesoris lainnya. Kondisi terjepit atau tersangkut akan menyebabkan aksesoris yang berputar akan berhenti dengan cepat yang kemudian berubah mengakibatkan terdorongnya mesin listrik yang tak terkendali ke arah yang berlawanan dengan putaran aksesoris di titik tempat aksesoris tersebut terjepit.

Sebagai contoh, jika roda ampelas tersangkut atau terjepit oleh benda kerja, tepi roda yang masuk ke titik tempat roda tersebut terjepit bisa menggali permukaan bahan, yang menyebabkan roda tersebut menanjak atau menghentak. Roda mungkin saja melompat ke arah atau menjaui operator, tergantung arah gerakan roda di titik tempat roda tersebut terjepit. Roda ampelas juga mungkin saja pecah karena kondisi tersebut.

Hentikan balik merupakan akibat dari kesalahan cara penggunaan mesin listrik dan/atau prosedur atau kondisi pengoperasian yang salah, dan dapat dihindari dengan melakukan tindakan kewaspadaan yang tepat sebagaimana diuraikan di bawah ini.

1. **Pertahankan genggaman yang kuat pada mesin listrik serta posisi badan dan lengan Anda sehingga Anda dapat menahan gaya hentikan balik. Selalu gunakan pegangan tambahan, bila tersedia, untuk mengendalikan hentikan balik atau reaksi torsi secara maksimum selama mesin mulai dihidupkan.** Jika tindakan kewaspadaan yang tepat dilakukan, operator dapat mengendalikan reaksi torsi atau gaya hentikan balik.
2. **Jangan sekali-kali memosisikan tangan Anda di dekat aksesoris yang berputar.** Aksesoris mungkin saja menghentak balik ke arah tangan Anda.
3. **Jangan memosisikan badan Anda di area tempat mesin listrik akan bergerak bila terjadi hentikan balik.** Hentikan balik akan memutar mesin dalam arah yang berlawanan dengan gerakan roda di titik tempat roda tersebut tersangkut.
4. **Sangat berhati-hatilah saat bekerja di area sudut, tepi yang tajam, dsb. Jaga agar aksesoris tidak memantul atau tersangkut.** Area sudut, tepi yang tajam, atau pantulan cenderung menyebabkan aksesoris yang berputar tersangkut dan menyebabkan kehilangan kendali atau timbulnya hentikan balik.
5. **Jangan memasang mata gergaji rantai atau mata gergaji bergerigi.** Mata mesin seperti ini menghasilkan hentikan balik secara berkali-kali dan menyebabkan kehilangan kendali.

Peringatan Keselamatan Khusus untuk Pekerjaan Penggerindaan dan Pengoperasian Pemotongan Abrasif:

1. **Gunakan hanya tipe roda yang dianjurkan untuk mesin listrik Anda dan pelindung khusus yang dirancang untuk roda yang Anda pilih.** Roda yang tidak sesuai dengan spesifikasi mesin listrik ini tidak dapat terlindungi secara memadai, dan karenanya tidak aman.

2. **Permukaan untuk penggerindaan pada roda tengah gerinda harus dipasang di bawah bidang pada tepi pelindung.** Roda yang tidak dipasang dengan benar sehingga menonjol pada bidang tepi pelindung tidak dapat benar-benar terlindungi.
3. **Pelindung harus terpasang dengan kencang pada mesin listrik dan diposisikan untuk pengamanan maksimal, sehingga bagian roda yang menghadap ke operator menjadi minimal.** Pelindung tersebut ikut melindungi operator dari potongan patahan roda, gesekan dengan roda dan percikan api yang dapat membakar pakaian.
4. **Roda harus digunakan hanya untuk penggunaan yang disarankan. Misalnya: jangan menggerinda dengan bagian samping roda pemotong.** Roda pemotong abrasif ditujukan untuk pekerjaan gerinda sisi luar; jika roda dikenai tenaga dari samping, roda ini mungkin saja pecah.
5. **Selalu gunakan flensa roda yang tidak rusak dengan ukuran dan bentuk yang tepat sesuai dengan roda yang Anda pilih.** Flensa roda yang tepat akan menopang roda sehingga mengurangi kemungkinan pecahnya roda. Flensa untuk roda pemotongan mungkin saja berbeda dengan flensa roda gerinda.
6. **Jangan gunakan roda dengan kinerja yang sudah rendah dari mesin listrik yang lebih besar.** Roda yang dirancang untuk mesin listrik yang lebih besar tidak cocok untuk digunakan pada alat yang lebih kecil dengan kecepatan yang lebih tinggi dan mungkin saja akan rusak.

Tambahan Peringatan Keselamatan Khusus untuk Pengoperasian Pemotongan Abrasif:

1. **Jangan membuat roda pemotong “macet” atau menekannya secara berlebihan. Jangan mencoba memotong terlalu dalam.** Menempatkan tekanan berlebihan pada roda akan meningkatkan beban dan dapat menyebabkan roda berputar atau terjepit pada potongan dan terdapat kemungkinan terjadi hentikan balik atau kerusakan roda.
2. **Jangan menempatkan diri Anda sejajar dan di belakang roda yang berputar.** Pada titik pengerjaan, saat roda bergerak menjauh dari Anda, hentikan balik dapat menggerakkan roda yang berputar dan mesin listrik ke arah Anda secara langsung.
3. **Ketika roda terjepit atau pemotongan terhenti karena alasan apa pun, matikan mesin listrik dan tahan hingga roda benar-benar berhenti. Jangan pernah mencoba melepas roda pemotong dari pekerjaan pemotongan saat roda bergerak, jika tidak, akan terjadi hentikan balik.** Periksa dan ambil tindakan perbaikan yang tepat untuk mengatasi penyebab macetnya roda.
4. **Jangan ulangi pemotongan pada benda kerja.** Biarkan roda mencapai kecepatan penuh dan masukkan kembali dengan hati-hati pada potongan. Roda mungkin saja terjepit, bergerak ke atas atau terjadi hentikan balik jika mesin listrik dinyalakan ulang pada benda kerja.

5. **Tahan panel atau benda kerja berukuran besar untuk meminimalkan risiko roda terjepit dan terjadi hentakan balik.** Benda kerja besar cenderung melengkung karena beratnya. Penunjang harus diletakkan di bawah benda kerja dekat garis pemotongan dan dekat ujung benda kerja pada kedua sisi roda.
6. **Berhati-hatilah saat melakukan “pemotongan saku” pada dinding atau area buta lain.** Roda yang mencuat dapat memotong pipa gas atau air, kabel listrik, atau objek lain yang dapat menyebabkan hentakan balik.
8. **Jangan menyentuh benda kerja segera setelah pengoperasian;** suhunya mungkin masih sangat panas dan dapat membakar kulit Anda.
9. **Patuhi petunjuk produsen mengenai cara memasang dan menggunakan roda yang benar.** Rawat dan simpan roda dengan cermat.
10. **Jangan menggunakan bos atau adaptor pengurang yang terpisah untuk menyesuaikan roda dengan lubang abrasif berukuran besar.**
11. **Gunakan hanya flensa yang ditentukan untuk mesin ini.**
12. **Untuk mesin yang memang dirancang untuk roda lubang berulir, pastikan bahwa ulir dalam roda cukup panjang untuk menampung panjang spindel.**

Peringatan Keselamatan Khusus untuk Pekerjaan Pengampelasan:

1. **Jangan menggunakan kertas cakram ampelas yang ukurannya terlalu besar.** Ikuti rekomendasi pabrik saat memilih kertas ampelas. Kertas ampelas yang lebih besar melebihi bantalan ampelas akan menimbulkan bahaya cedera dan bisa menyebabkan tersangkut, pecahnya cakram atau terjadinya hentakan balik.

Peringatan Keselamatan Khusus untuk Pengoperasian dengan Sikat Kawat:

1. **Berhati-hatilah, jangan sampai serpihan kawat terlepas dari sikat bahkan pada pengoperasian standar.** Jangan terlalu keras menekan kawat dengan memberikan tekanan yang terlalu besar pada sikat. Serpihan kawat dapat dengan mudah menembus pakaian yang tipis dan/atau kulit.
2. **Jika penggunaan pelindung direkomendasikan untuk sikat kawat, jangan sampai roda kawat atau sikat mengganggu kerja pelindung.** Roda kawat atau sikat dapat bertambah diameternya bergantung pada beban kerja dan gaya sentrifugal.

Peringatan Keselamatan Tambahan:

1. **Saat menggunakan roda gerinda tengah, pastikan bahwa Anda hanya menggunakan roda dengan fiberglass.**
2. **JANGAN PERNAH GUNAKAN roda berjenis Stone Cup dengan gerinda ini.** Gerinda ini tidak dirancang untuk tipe roda semacam ini dan jika digunakan, hal ini dapat mengakibatkan cedera serius pada penggunaannya.
3. **Hati-hati jangan sampai merusak spindel, flensa (terutama permukaan pemasangan) atau mur kunci.** Kerusakan pada bagian ini dapat mengakibatkan rusaknya roda.
4. **Pastikan bahwa roda tidak menyentuh benda kerja sebelum sakelar dinyalakan.**
5. **Sebelum menggunakan mesin pada benda kerja yang sebenarnya, jalankan mesin sebentar.** Waspada! getaran atau goyangan yang dapat menunjukkan lemahnya pemasangan atau roda yang kurang seimbang.
6. **Gunakan permukaan roda yang sudah ditentukan untuk melakukan penggerindaan.**
7. **Jangan tinggalkan mesin dalam keadaan hidup.** Jalankan mesin hanya ketika digenggam dengan tangan.

13. **Periksa apakah benda kerja telah ditopang dengan baik.**
14. **Perhatikan bahwa roda terus berputar setelah mesin dimatikan.**
15. **Jika tempat kerja sangat panas dan lembap, sangat kotor oleh debu konduktif, gunakan pemutus daya (30 mA) untuk menjamin keselamatan operator.**
16. **Jangan menggunakan mesin pada bahan yang mengandung asbestos.**
17. **Roda pemotongan hendaknya selalu digunakan dengan pelindung roda pengumpul debu yang disyaratkan oleh undang-undang setempat.**
18. **Cakram pemotongan harus disesuaikan dengan tekanan lateral.**
19. **Jangan gunakan sarung tangan kerja kain selama pengoperasian.** Serat dari sarung tangan kain dapat masuk ke mesin dan mengakibatkan kerusakan.

SIMPAN PETUNJUK INI.

⚠️ PERINGATAN: JANGAN biarkan kenyamanan atau terbiasanya Anda dengan produk (karena penggunaan berulang) mengurangi kepatuhan yang ketat terhadap aturan keselamatan untuk produk yang terkait. **PENYALAHGUNAAN** atau kelalaian mematuhi kaidah keselamatan yang tertera dalam petunjuk ini dapat menyebabkan cedera badan serius.

DESKRIPSI FUNGSI

⚠️ PERHATIAN: Selalu pastikan bahwa mesin dalam keadaan mati dan steker tercabut sebelum menyatel atau memeriksa kerja mesin.

⚠️ PERHATIAN: Kembalikan pelatuk sakelar ke posisi “OFF” jika tidak sengaja terlepas, mati listrik, atau daya listrik tiba-tiba terputus. Jika tidak, mesin dapat menyala secara tiba-tiba saat dialiri daya listrik kembali dan dapat menyebabkan cedera pribadi.

Kunci poros

Tekan kunci poros untuk mencegah berputarnya spindle saat memasang atau melepas aksesoris.

► **Gbr.1:** 1. Kunci poros

PEMBERITAHUAN: Jangan gerakan kunci poros ketika spindle sedang bergerak. Mesin mungkin saja rusak.

Kerja sakelar

PERHATIAN: Sebelum memasukkan steker, pastikan picu sakelar berfungsi dengan baik dan kembali ke posisi "OFF" saat dilepas.

► **Gbr.2:** 1. Pelatuk sakelar 2. Tuas kunci

Untuk mesin dengan sakelar pengunci

PERHATIAN: Sakelar dapat dikunci dalam posisi "ON" untuk memberikan kenyamanan bagi operator selama penggunaan dalam jangka waktu lama. Selalu berhati-hatilah saat mengunci mesin dalam posisi "ON", dan pegang mesin kuat-kuat.

Untuk menyalakan mesin, cukup tarik pelatuk sakelarnya (arah B). Lepaskan pelatuk sakelar untuk berhenti.

Untuk pengoperasian berkesinambungan, tarik pelatuk sakelar (arah B), kemudian tekan tuas kunci (arah A). Untuk membuka posisi terkunci, tarik pelatuk sakelar (arah B) sepenuhnya, kemudian lepaskan.

Untuk mesin dengan sakelar pembuka kunci

Untuk mencegah agar pelatuk sakelar tidak tertarik secara tidak sengaja, tersedia sebuah tuas pengunci. Untuk menyalakan mesin, tekan tuas kunci (arah A), kemudian tarik pelatuk sakelar (arah B). Lepaskan pelatuk sakelar untuk berhenti.

PEMBERITAHUAN: Jangan menarik dalam-dalam picu sakelar tanpa menekan tombol buka kunci. Hal ini bisa merusak sakelar.

Untuk mesin dengan sakelar pengunci dan pembuka kunci

PERHATIAN: Sakelar dapat dikunci dalam posisi "ON" untuk memberikan kenyamanan bagi operator selama penggunaan dalam jangka waktu lama. Selalu berhati-hatilah saat mengunci mesin dalam posisi "ON", dan pegang mesin kuat-kuat.

Untuk mencegah agar pelatuk sakelar tidak tertarik secara tidak sengaja, tersedia sebuah tuas pengunci. Untuk menyalakan mesin, tekan tuas kunci (arah A), kemudian tarik pelatuk sakelar (arah B). Lepaskan pelatuk sakelar untuk berhenti.

Untuk pengoperasian berkesinambungan, tekan tuas kunci (arah A), tarik pelatuk sakelar (arah B), kemudian tarik tuas kunci (arah C).

Untuk membuka posisi terkunci, tarik pelatuk sakelar (arah B) sepenuhnya, kemudian lepaskan.

PEMBERITAHUAN: Jangan menarik dalam-dalam picu sakelar tanpa menekan tombol buka kunci. Hal ini bisa merusak sakelar.

Lampu indikator

Hanya untuk model GA7061R / GA9061R

► **Gbr.3:** 1. Lampu indikator

Lampu indikator akan menyala berwarna hijau saat steker mesin dimasukkan.

Jika lampu indikator tidak menyala, mungkin ada kerusakan pada kabel listrik atau pengendali.

Jika indikator menyala tetapi mesin tidak menyala bahkan saat sakelarnya ditekan, sikat karbonnya mungkin telah aus, atau mungkin terjadi kerusakan pada pengendali, motor, atau sakelar ON/OFF.

Anti penyalan ulang yang tidak disengaja

Mesin tidak akan menyala jika sakelar terkunci bahkan jika mesin sudah dicolokkan.

Pada kondisi ini, lampu indikator akan berkedip berwarna merah dan menunjukkan bahwa perangkat anti penyalan ulang yang tidak disengaja sedang berfungsi.

Untuk membatalkan penyalan ulang yang tidak disengaja, kembalikan daya sakelar ke posisi OFF.

CATATAN: Tunggu lebih dari satu detik sebelum menyalakan mesin kembali jika penyalan ulang yang tidak disengaja terjadi.

Fitur awal pengerjaan lembut

Fitur awal pengerjaan lembut mengurangi reaksi permulaan.

PERAKITAN

PERHATIAN: Pastikan bahwa mesin dalam keadaan mati dan steker tercabut sebelum melakukan pekerjaan apa pun pada mesin.

Memasang gagang sisi (pegangan)

PERHATIAN: Selalu pastikan bahwa gagang sisi terpasang dengan kuat sebelum penggunaan.

Sekrup gagang sisi dengan kencang pada posisi mesin sebagaimana yang ditunjukkan pada gambar.

► **Gbr.4**

Pasang atau lepas pelindung roda (Untuk roda tengah gerinda, cakram flap, roda flex, sikat roda kawat / roda pemotong abrasif, roda intan)

⚠️PERINGATAN: Ketika menggunakan roda tengah gerinda, cakram flap, roda flex atau sikat roda kawat, pelindung roda harus cocok dengan mesin sehingga bagian sisi yang tertutup dari pelindung selalu mengarah pada operator.

⚠️PERINGATAN: Ketika menggunakan pemotong abrasif / roda intan, jangan gunakan selain pelindung roda khusus yang dirancang untuk digunakan bersama roda pemotong.

(Di beberapa negara Eropa, saat menggunakan roda berlian, pelindung yang umum dapat digunakan. Patuhi peraturan di negara Anda.)

Untuk mesin dengan pelindung roda dengan tipe sekrup pengunci

Pasang pelindung roda dengan posisi tonjolan ada di atas ikatan pelindung roda yang sejajar dengan cekungan-cekungan pada kotak penahan. Kemudian putar pelindung roda ke suatu sudut sehingga dapat melindungi operator sesuai dengan pekerjaan. Pastikan bahwa sekrup sudah dikencangkan hingga aman. Untuk melepas pelindung roda, lakukan prosedur pemasangan dalam urutan terbalik.

► **Gbr.5:** 1. Pelindung roda 2. Kotak penahan 3. Sekrup

Untuk mesin dengan pelindung roda dengan tipe tuas klem

Longgarkan sekrup, kemudian tarik tuas sesuai arah panah. Pasang pelindung roda dengan posisi tonjolan ada di atas ikatan pelindung roda yang sejajar dengan cekungan-cekungan pada kotak penahan. Kemudian putar pelindung roda ke suatu sudut sehingga dapat melindungi operator sesuai dengan pekerjaan.

► **Gbr.6:** 1. Pelindung roda 2. Kotak penahan 3. Sekrup 4. Tuas

Tarik tuas sesuai arah panah. Kemudian rapatkan pelindung rodanya dengan cara mengencangkan sekrapunya. Pastikan bahwa sekrup sudah dikencangkan hingga aman. Sudut pada pelindung roda dapat disetel dengan tuasnya.

► **Gbr.7:** 1. Sekrup 2. Tuas

Untuk melepas pelindung roda, lakukan prosedur pemasangan dalam urutan terbalik.

Memasang atau melepaskan roda tengah gerinda atau cakram flap

Pilihan Aksesori

⚠️PERINGATAN: Ketika menggunakan roda tengah gerinda, atau cakram flap pelindung roda harus cocok dengan mesin sehingga bagian sisi yang tertutup dari pelindung selalu mengarah pada operator.

⚠️PERHATIAN: Pastikan bahwa bagian pemasangan flensa dalam benar-benar cocok untuk diameter dalam pada roda tengah gerinda / cakram flap. Memasang flensa dalam di sisi yang salah dapat mengakibatkan getaran yang berbahaya.

Pasang flensa dalam pada spindel.

Pastikan agar bagian flensa dalam penyok cocok dengan bagian lurus pada bagian bawah spindel. Pasang roda/cakram pada flensa bagian dalam dan kencangkan sekrapunya dengan mur pengunci, dengan bagian tonjolannya menghadap ke bawah (menghadap roda).

► **Gbr.8:** 1. Mur pengunci 2. Roda tengah pengasah 3. Flensa dalam 4. Bagian pemasangan

Untuk mengencangkan mur kunci, tekan kunci poros dengan kuat agar spindel tidak berputar, kemudian gunakan kunci pas baut pengunci dan kencangkan kuat-kuat searah jarum jam.

► **Gbr.9:** 1. Kunci pas baut pengunci 2. Kunci poros

Untuk melepas roda, lakukan prosedur pemasangan dalam urutan terbalik.

Memasang atau melepas roda flex

Pilihan Aksesori

⚠️PERINGATAN: Selalu gunakan pelindung dengan penahan jika roda flex dipasang pada mesin. Roda dapat pecah selama penggunaan, dan pelindung membantu mengurangi risiko cedera pada pengguna.

► **Gbr.10:** 1. Mur kunci 2. Roda flex 3. Bantal penyangga di belakang 4. Flensa dalam

Ikuti petunjuk untuk roda tengah gerinda, juga gunakan bantalan belakang di atas roda. Lihat urutan pemasangan pada halaman aksesori dalam buku petunjuk ini.

Flensa super

Pilihan Aksesori

Hanya untuk mesin dengan ulir spindel M14.

Model dengan huruf F pada dasarnya dilengkapi dengan flensa Super. Hanya 1/3 usaha yang dibutuhkan untuk membuka mur kunci jika dibandingkan dengan tipe konvensional.

Memasang atau melepas Ezynut

Pilihan Aksesori

Hanya untuk mesin dengan ulir spindel M14.

⚠️PERHATIAN: Jangan menggunakan Ezynut dengan Flensa Super atau gerinda sudut yang No. modelnya diakhiri dengan "F". Flensa tersebut sangat tebal sehingga seluruh ulir tidak dapat ditahan oleh spindel.

Pasang flensa dalam, roda abrasif dan Ezynut pada spindel sehingga Logo Makita pada Ezynut menghadap ke luar.

► **Gbr.11:** 1. Ezynut 2. Roda abrasif 3. Flensa dalam 4. Spindel

Tekan kunci poros kuat-kuat dan kencangkan Ezynut dengan memutar roda abrasif searah jarum jam hingga tidak dapat diputar lagi.

► **Gbr.12:** 1. Kunci poros

Untuk mengendurkan Ezynut, putar cincin luar Ezynut berlawanan arah jarum jam.

CATATAN: Ezynut dapat dikendurkan dengan tangan selama tanda panah menunjuk ke takik. Jika tidak, kunci pas mur kunci harus digunakan untuk mengendurkannya. Masukkan satu pin dari kunci pas ke dalam lubang dan putar Ezynut berlawanan arah jarum jam.

► **Gbr.13:** 1. Tanda panah 2. Takik

► **Gbr.14**

Memasang atau melepas cakram abrasif

Pilihan Aksesori

► **Gbr.15:** 1. Mur kunci pengampelasan 2. Cakram abrasif 3. Bantalan karet

1. Pasang bantalan karet pada spindel.
2. Pasang cakram pada bantalan karet dan sekrup mur kunci pengampelasan pada spindel.
3. Tahan spindel dengan kunci poros lalu kencangkan mur kunci pengampelasan searah dengan jarum jam dengan kunci pas baut pengunci hingga aman.

Untuk melepas cakram, lakukan prosedur pemasangan dalam urutan terbalik.

CATATAN: Gunakan aksesoris mesin ampelas yang ditentukan dalam panduan ini. Aksesoris tersebut harus dibeli secara terpisah.

Memasang atau melepas pegangan loop

Pilihan Aksesori

⚠PERHATIAN: Selalu pastikan baut pada pegangan loop telah dikencangkan dengan kuat sebelum digunakan.

⚠PERHATIAN: Pegang area genggam pegangan loop yang ditentukan pada gambar. Jauhkan tangan dari bagian logam gerinda selama pengoperasian. Menyentuh bagian logam dapat menyebabkan tersengat listrik jika alat tambahan pemotong memotong kabel aktif secara tidak sengaja.

► **Gbr.16:** 1. Pegangan loop 2. Baut 3. Area genggam

Pegangan loop mungkin lebih nyaman daripada gagang sisi yang asli untuk beberapa penggunaan. Untuk memasang pegangan loop, letakkan pada mesin seperti yang diilustrasikan dan kencangkan dua baut untuk mengencangkannya.

Untuk melepas pegangan loop, lakukan prosedur pemasangan dengan urutan terbalik.

PENGUNAAN

⚠PERINGATAN: Tidak perlu sampai memaksa mesin. Bobot mesin sudah memberi tekanan yang cukup. Pemaksaan dan tekanan yang berlebihan dapat mengakibatkan kerusakan yang berbahaya pada roda.

⚠PERINGATAN: SELALU ganti rodanya jika kinerja mesin menurun pada saat menggerinda.

⚠PERINGATAN: JANGAN SEKALI-KALI membenturkan atau memukul cakram atau roda di tengah-tengah pengerjaan.

⚠PERINGATAN: Jangan memantulkan dan mendekatkan roda pada permukaan tajam, terutama ketika berkerja pada sudut, pinggir yang tajam, dll. Hal ini dapat menyebabkan hilangnya kontrol dan bantingan.

⚠PERINGATAN: JANGAN SEKALI-KALI menggunakan mesin dengan mata pisau pemotong kayu dan mata gergaji lainnya. Mata pisau semacam itu sering kali menghentak bila digunakan pada gerinda serta menyebabkan hilangnya kendali yang mengarah pada terjadinya cedera badan.

⚠PERHATIAN: Jangan sekali-kali menyalakan mesin saat menyentuh benda kerja, hal tersebut bisa menyebabkan luka pada operator.

⚠PERHATIAN: Selalu gunakan kaca mata pelindung atau pelindung muka selama pengoperasian.

⚠PERHATIAN: Setelah pengoperasian, selalu matikan mesin dan tunggu sampai mesin benar-benar berhenti sebelum meletakkan mesin kembali.

⚠PERHATIAN: SELALU pegang mesin menggunakan satu tangan pada bagian rumah dan tangan yang lain pada gagang sisi (pegangan) dengan kuat.

Operasi penggerindaan dan pengampelasan

► **Gbr.17**

Nyalakan mesin dan kemudian letakkan roda atau cakram di atas benda kerja.

Secara umum, pertahankan pinggir roda atau cakram pada sudut sekitar 15° terhadap permukaan benda kerja.

Selama awal penggunaan roda baru, jangan menggerinda dengan arah ke depan sehingga benda kerja terpotong. Ketika pinggir roda telah menjadi bulat karena terus digunakan, roda dapat bekerja dengan arah ke depan maupun ke belakang.

Operasi dengan roda pemotongan abrasif / roda intan

Pilihan Aksesori

⚠️PERINGATAN: Ketika menggunakan pemotong abrasif / roda intan, jangan gunakan selain pelindung roda khusus yang dirancang untuk digunakan bersama roda pemotong.

(Di beberapa negara Eropa, saat menggunakan roda berlian, pelindung yang umum dapat digunakan. Patuhi peraturan di negara Anda.)

⚠️PERINGATAN: JANGAN SEKALI-KALI menggunakan roda pemotongan untuk gerinda samping.

⚠️PERINGATAN: Jangan membuat roda “macet” atau menekannya secara berlebihan. Jangan mencoba memotong terlalu dalam.

Memberikan tekanan berlebihan pada roda akan meningkatkan beban dan dapat menyebabkan roda berputar atau terjepit pada potongan dan terdapat kemungkinan terjadi hentakan balik, kerusakan roda dan panas yang berlebihan.

⚠️PERINGATAN: Jangan memulai pemotongan pada benda kerja. Biarkan roda mencapai kecepatan penuh dan perlahan masuk ke dalam pemotongan yang menggerakkan mesin ke depan di atas permukaan benda kerja. Roda mungkin saja macet, bergerak ke atas atau terjadi hentakan balik jika mesin listrik dinyalakan ulang pada benda kerja.

⚠️PERINGATAN: Selama operasi pemotongan, jangan ubah sudut roda. Memberikan tekanan samping pada roda pemotongan (seperti dalam proses gerinda) akan menyebabkan roda retak dan patah, sehingga pengguna mengalami cedera serius.

⚠️PERINGATAN: Roda berlian harus dioperasikan secara tegak lurus terhadap bahan yang akan dipotong.

Pasang flensa dalam pada spindel.

Pasang roda / cakram gerinda pada flensa bagian dalam dan kencangkan sekiranya dengan mur pengunci ke spindel.

► **Gbr.18:** 1. Mur pengunci 2. Roda pemotongan abrasif / roda berlian 3. Flensa dalam 4. Pelindung roda untuk roda pemotongan abrasif / roda intan

Untuk Australia dan Selandia Baru

► **Gbr.19:** 1. Mur pengunci 2. Flensa luar 78 3. Roda pemotongan abrasif / roda berlian 4. Flensa dalam 78 5. Pelindung roda untuk roda pemotongan abrasif / roda intan

Operasi dengan sikat kawat mangkuk

Pilihan Aksesori

⚠️PERHATIAN: Periksa kerja sikat dengan menjalankan mesin tanpa beban, untuk memastikan bahwa tidak ada benda di depan atau sejajar dengan sikat.

⚠️PERHATIAN: Jangan gunakan sikat yang rusak, atau yang tidak seimbang. Sikat yang rusak akan meningkatkan kemungkinan cedera akibat sentuhan dengan kawat sikat yang rusak.

► **Gbr.20:** 1. Sikat kawat mangkuk

Cabut steker mesin dan letakkan mesin dengan posisi terbalik sehingga spindel dapat dijangkau dengan mudah.

Lepaskan semua aksesoris pada spindel. Pasang sikat kawat mangkuk ke dalam spindel dan kencangkan dengan kunci yang tersedia.

PEMBERITAHUAN: Jangan menekan terlalu keras, ketika menggunakan sikat karena nanti terlalu banyak kawat yang tertekuk. Akan terjadi patahan yang sebenarnya masih bisa dihindari.

Operasi dengan sikat roda kawat

Pilihan Aksesori

⚠️PERHATIAN: Periksa kerja sikat roda kawat dengan menjalankan mesin tanpa beban, untuk memastikan bahwa tidak ada benda di depan atau sejajar dengan sikat.

⚠️PERHATIAN: Jangan gunakan sikat roda kawat yang rusak, atau yang tidak seimbang. Sikat roda kawat yang rusak akan meningkatkan kemungkinan cedera akibat sentuhan dengan kawat yang rusak.

⚠️PERHATIAN: SELALU gunakan pelindung dengan sikat roda kawat, sehingga diameter roda tetap sesuai dengan pelindung dalam. Roda dapat pecah selama penggunaan, dan pelindung membantu mengurangi risiko cedera pada pengguna.

► **Gbr.21:** 1. Sikat roda kawat

Cabut steker mesin dan letakkan mesin dengan posisi terbalik sehingga spindel dapat dijangkau dengan mudah.

Lepaskan semua aksesoris pada spindel. Pasang sikat roda kawat ke dalam spindel dan kencangkan dengan kunci yang tersedia.

PEMBERITAHUAN: Jangan menekan terlalu keras ketika menggunakan sikat roda kawat, karena nanti terlalu banyak kawat yang tertekuk. Akan terjadi patahan yang sebenarnya masih bisa dihindari.

PERAWATAN

⚠️ PERHATIAN: Selalu pastikan bahwa mesin dimatikan dan steker dicabut sebelum melakukan pemeriksaan atau perawatan.

PEMBERITAHUAN: Jangan sekali-kali menggunakan bensin, tiner, alkohol, atau bahan sejenisnya. Penggunaan bahan demikian dapat menyebabkan perubahan warna, perubahan bentuk atau timbulnya retakan.

Pembersihan ventilasi udara

Mesin dan ventilasi udara harus dijaga agar tetap bersih. Bersihkan ventilasi udara mesin secara teratur atau saat ventilasi mulai terganggu.

► **Gbr.22:** 1. Ventilasi pengeluaran 2. Ventilasi penyerapan

CATATAN: Jangan melonggarkan sekrup pada penutup pelat nama. Jika tidak, penutup tersebut mungkin saja terbuka secara tidak sengaja.

► **Gbr.23:** 1. Sekrup

Untuk menjaga KEAMANAN dan KEANDALAN mesin, perbaikan, perawatan atau penyetelan lainnya harus dilakukan oleh Pusat Layanan Resmi atau Pabrik Makita; selalu gunakan suku cadang pengganti buatan Makita.

AKSESORI PILIHAN

⚠️ PERHATIAN: Dianjurkan untuk menggunakan aksesoris atau perangkat tambahan ini dengan mesin Makita Anda yang ditentukan dalam petunjuk ini. Penggunaan aksesoris atau perangkat tambahan lain bisa menyebabkan risiko cedera pada manusia. Hanya gunakan aksesoris atau perangkat tambahan sesuai dengan peruntukannya.

Jika Anda memerlukan bantuan lebih rinci berkenaan dengan aksesoris ini, tanyakan pada Pusat Layanan Makita terdekat.

► **Gbr.24**

1	Gagang sisi/Pegangan loop
2	Pelindung roda untuk roda gerinda tengah tertekan / cakram sayap / sikat roda kawat
3	Flensa dalam / Flensa Super *1*2
4	Roda gerinda tengah tertekan / Cakram sayap
5	Mur pengunci / Ezykut *1*2
6	Pelindung roda untuk roda pemotong abrasif / roda intan *3
7	Flensa dalam 78 (Hanya untuk Australia dan Selandia Baru) *4
8	Roda pemotongan abrasif / Roda berlian
9	Flensa luar 78 (Hanya untuk Australia dan Selandia Baru) *4
10	Bantalan karet
11	Cakram abrasif
12	Mur kunci pengampelasan
13	Sikat roda kawat
14	Sikat kawat mangkuk
-	Kunci pas baut pengunci
-	Perangkat tambahan pelindung anti-debu

CATATAN: *1 Hanya untuk mesin dengan ulir spindel M14.

CATATAN: *2 Jangan gunakan flensa Super dan Ezykut sekaligus.

CATATAN: *3 Di beberapa negara Eropa, saat menggunakan roda intan, pelindung biasa dapat digunakan untuk menggantikan pelindung khusus yang menutupi kedua sisi roda. Patuhi peraturan di negara Anda.

CATATAN: *4 Gunakan flensa Dalam 78 dan flensa Luar 78 sekaligus. (Hanya untuk Australia dan Selandia Baru)

CATATAN: Beberapa item dalam daftar tersebut mungkin sudah termasuk dalam paket mesin sebagai aksesoris standar. Hal tersebut dapat berbeda dari satu negara ke negara lainnya.

THÔNG SỐ KỸ THUẬT

Kiểu máy:	GA7061	GA7061R	GA9061	GA9061R
Đường kính đĩa mài	180 mm		230 mm	
Chiều dày đĩa mài tối đa	7,2 mm		6,5 mm	
Ren cửa trụ quay	M14 hoặc M16 hoặc 5/8" (quốc gia cụ thể)			
Tốc độ định mức (n)	8.500 min ⁻¹		6.600 min ⁻¹	
Chiều dài tổng thể	450 mm			
Khối lượng tịnh	5,5 kg		5,7 kg	
Cấp an toàn	□/II			

- Do chương trình nghiên cứu và phát triển liên tục của chúng tôi nên các thông số kỹ thuật trong đây có thể thay đổi mà không cần thông báo trước.
- Các thông số kỹ thuật có thể thay đổi tùy theo từng quốc gia.
- Khối lượng tùy theo Quy trình EPTA tháng 01/2003

Ký hiệu

Phần dưới đây cho biết các ký hiệu được dùng cho thiết bị. Đảm bảo rằng bạn hiểu rõ ý nghĩa của các ký hiệu này trước khi sử dụng.



Đọc tài liệu hướng dẫn.



Mang kính an toàn.



CÁCH ĐIỆN CẤP 2



Chỉ dành cho các quốc gia EU
Không thải bỏ thiết bị điện cùng với các chất thải sinh hoạt! Đề tuân thủ Chỉ thị của Châu Âu về thiết bị điện và điện tử thải bỏ, và thi hành những chỉ thị này phù hợp với luật lệ quốc gia, thiết bị điện tử không còn sử dụng được nữa phải được thu nhận riêng và đưa trở lại một cơ sở tái chế tương thích với môi trường.

Mục đích sử dụng

Dụng cụ này được dùng để mài, chà nhám và cắt kim loại và các vật liệu bằng đá mà không cần sử dụng nước.

Nguồn cấp điện

Dụng cụ này chỉ được nối với nguồn cấp điện có điện áp giống như đã chỉ ra trên biển tên và chỉ có thể được vận hành trên nguồn điện AC đơn pha. Chúng được cách điện hai lớp và do đó cũng có thể được sử dụng từ các ổ cắm điện không có dây tiếp đất.

Cảnh báo an toàn chung dành cho dụng cụ máy

⚠ CẢNH BÁO: Đọc tất cả các cảnh báo an toàn và tất cả hướng dẫn. Việc không tuân theo các cảnh báo và hướng dẫn có thể dẫn đến điện giật, hỏa hoạn và/hoặc thương tích nghiêm trọng.

Lưu giữ tất cả cảnh báo và hướng dẫn để tham khảo sau này.

Thuật ngữ “dụng cụ máy” trong các cảnh báo đề cập đến dụng cụ máy (có dây) được vận hành bằng nguồn điện chính hoặc dụng cụ máy (không dây) được vận hành bằng pin của bạn.

An toàn tại nơi làm việc

1. **Giữ nơi làm việc sạch sẽ và có đủ ánh sáng.** Nơi làm việc bừa bộn hoặc tối thường dễ gây ra tai nạn.
2. **Không vận hành dụng cụ máy trong môi trường cháy nổ, ví dụ như môi trường có sự hiện diện của các chất lỏng, khí hoặc bụi dễ cháy.** Các dụng cụ máy tạo tia lửa điện có thể làm bụi hoặc khí bốc cháy.
3. **Giữ trẻ em và người ngoài tránh xa nơi làm việc khi đang vận hành dụng cụ máy.** Sự xao lãng có thể khiến bạn mất khả năng kiểm soát.

An toàn về Điện

1. **Phích cắm của dụng cụ máy phải khớp với ổ cắm. Không được sửa đổi phích cắm theo bất kỳ cách nào. Không sử dụng bất kỳ phích chuyên đổi nào với các dụng cụ máy được nối đất (tiếp đất).** Các phích cắm còn nguyên vẹn và ổ cắm phù hợp sẽ giảm nguy cơ điện giật.
2. **Tránh để cơ thể tiếp xúc với các bề mặt nóng đất hoặc tiếp đất như đường ống, bộ tản nhiệt, bếp ga và tủ lạnh.** Nguy cơ bị điện giật sẽ tăng lên nếu cơ thể bạn được nối đất hoặc tiếp đất.

3. **Không để dụng cụ máy tiếp xúc với mưa hoặc trong điều kiện ẩm ướt.** Nước lọt vào dụng cụ máy sẽ làm tăng nguy cơ điện giật.
4. **Không lạm dụng dây điện.** Không được phép sử dụng dây để mang, kéo hoặc tháo phích cắm dụng cụ máy. Giữ dây tránh xa nguồn nhiệt, dầu, các mép sắc hoặc các bộ phận chuyển động. Dây bị hỏng hoặc bị rối sẽ làm tăng nguy cơ điện giật.
5. **Khi vận hành dụng cụ máy ngoài trời, hãy sử dụng dây kéo dài phù hợp cho việc sử dụng ngoài trời.** Việc dùng dây phù hợp cho việc sử dụng ngoài trời sẽ giảm nguy cơ điện giật.
6. **Nếu bắt buộc phải vận hành dụng cụ máy ở nơi ẩm ướt, hãy sử dụng nguồn cấp điện được bảo vệ bằng thiết bị ngắt dòng điện rò (RCD).** Việc sử dụng RCD sẽ làm giảm nguy cơ điện giật.
7. **Chúng tôi luôn khuyến bạn sử dụng nguồn cấp điện qua thiết bị RCD có thể ngắt dòng điện rò định mức 30 mA hoặc thấp hơn.**

An toàn Cá nhân

1. **Luôn tỉnh táo, quan sát những việc bạn đang làm và sử dụng những phán đoán theo kinh nghiệm khi vận hành dụng cụ máy.** Không sử dụng dụng cụ máy khi bạn đang mệt mỏi hoặc chịu ảnh hưởng của ma túy, rượu hay thuốc. Chỉ một khoảnh khắc không tập trung khi đang vận hành dụng cụ máy cũng có thể dẫn đến thương tích cá nhân nghiêm trọng.
2. **Sử dụng thiết bị bảo hộ cá nhân.** Luôn đeo thiết bị bảo vệ mắt. Các thiết bị bảo hộ như mũ nạ chống bụi, giày an toàn chống trượt, mũ bảo hộ hay thiết bị bảo vệ thính giác được sử dụng trong các điều kiện thích hợp sẽ giúp giảm thương tích cá nhân.
3. **Tránh vô tình khởi động dụng cụ máy.** Đảm bảo công tắc ở vị trí off (tắt) trước khi nối nguồn điện và/hoặc bộ pin, cắm hoặc di chuyển dụng cụ máy. Việc di chuyển dụng cụ máy khi đang đặt ngón tay ở vị trí công tắc hoặc cấp điện cho dụng cụ máy đang bật thường dễ gây ra tai nạn.
4. **Tháo tất cả các khóa hoặc cờ lê điều chỉnh trước khi bật dụng cụ máy.** Việc cờ lê hoặc khóa vẫn còn gắn vào bộ phận quay của dụng cụ máy có thể dẫn đến thương tích cá nhân.
5. **Không với quá cao.** Luôn giữ thăng bằng tốt và có chỗ để chân phù hợp. Điều này cho phép điều khiển dụng cụ máy tốt hơn trong những tình huống bất ngờ.
6. **Ăn mặc phù hợp.** Không mặc quần áo rộng hay đeo đồ trang sức. Giữ tóc, quần áo và găng tay tránh xa các bộ phận chuyển động. Quần áo rộng, đồ trang sức hay tóc dài có thể mắc vào các bộ phận chuyển động.
7. **Nếu các thiết bị được cung cấp để kết nối các thiết bị thu gom và hút bụi, hãy đảm bảo chúng được kết nối và sử dụng hợp lý.** Việc sử dụng thiết bị thu gom bụi có thể làm giảm những mối nguy hiểm liên quan đến bụi.

Sử dụng và bảo quản dụng cụ máy

1. **Không dùng lực đối với dụng cụ máy.** Sử dụng đúng dụng cụ máy cho công việc của bạn. Sử dụng đúng dụng cụ máy sẽ giúp thực hiện công việc tốt hơn và an toàn hơn theo giá trị định mức được thiết kế của dụng cụ máy đó.
2. **Không sử dụng dụng cụ máy nếu công tắc không bật và tắt được dụng cụ máy đó.** Mọi dụng cụ máy không thể điều khiển được bằng công tắc đều rất nguy hiểm và phải được sửa chữa.
3. **Rút phích cắm ra khỏi nguồn điện và/hoặc ngắt kết nối bộ pin khỏi dụng cụ máy trước khi thực hiện bất kỳ công việc điều chỉnh, thay đổi phụ tùng hay cắt giữ dụng cụ máy nào.** Những biện pháp an toàn phòng ngừa này sẽ giảm nguy cơ vô tình khởi động dụng cụ máy.
4. **Cắt giữ các dụng cụ máy không sử dụng ngoài tầm với của trẻ em và không cho bất kỳ người nào không có hiểu biết về dụng cụ máy hoặc các hướng dẫn này vận hành dụng cụ máy.** Dụng cụ máy sẽ rất nguy hiểm nếu được sử dụng bởi những người dùng chưa qua đào tạo.
5. **Bảo quản dụng cụ máy.** Kiểm tra tình trạng lệch trục hoặc bó kẹt của các bộ phận chuyển động, hiện tượng nứt vỡ của các bộ phận và mọi tình trạng khác mà có thể ảnh hưởng đến hoạt động của dụng cụ máy. Nếu có hỏng hóc, hãy sửa chữa dụng cụ máy trước khi sử dụng. Nhiều tai nạn xảy ra là do không bảo quản tốt dụng cụ máy.
6. **Luôn giữ cho dụng cụ cắt được sắc bén và sạch sẽ.** Những dụng cụ cắt được bảo quản tốt có mép cắt sắc sẽ ít bị kẹt hơn và dễ điều khiển hơn.
7. **Sử dụng dụng cụ máy, phụ tùng và đầu dụng cụ cắt, v.v... theo các hướng dẫn này, có tính đến điều kiện làm việc và công việc được thực hiện.** Việc sử dụng dụng cụ máy cho các công việc khác với công việc dự định có thể gây nguy hiểm.

Bảo dưỡng

1. **Đề nghị viên sửa chữa đủ trình độ bảo dưỡng dụng cụ máy của bạn và chỉ sử dụng các bộ phận thay thế đồng nhất.** Việc này sẽ đảm bảo duy trì được độ an toàn của dụng cụ máy.
2. **Tuân theo hướng dẫn dành cho việc bôi trơn và thay phụ tùng.**
3. **Giữ tay cầm khô, sạch, không dính dầu và mỡ.**

Cảnh báo an toàn đối với máy mài

Cảnh báo an toàn chung cho các thao tác mài, chà nhám, đánh bàn chải kim loại, hoặc cắt nhám:

1. **Dụng cụ máy này có chức năng như một máy mài, máy chà nhám, chổi sắt kim loại hoặc dụng cụ cắt.** Xin đọc tất cả các cảnh báo an toàn, hướng dẫn, minh họa và thông số kỹ thuật đi kèm với dụng cụ máy này. Việc không tuân theo các hướng dẫn được liệt kê dưới đây có thể dẫn đến điện giật, hỏa hoạn và/hoặc thương tích nghiêm trọng.

2. **Các thao tác như đánh bóng không được khuyến khích thực hiện bằng dụng cụ máy này.** Các thao tác mà dụng cụ máy này không được thiết kế để thực hiện có thể tạo ra nguy hiểm và gây thương tích cá nhân.
3. **Không được dùng các phụ kiện không được thiết kế đặc biệt và không theo khuyến cáo của nhà sản xuất dụng cụ.** Bởi nếu có thể gắn phụ kiện đó vào dụng cụ máy của bạn thì điều đó hoàn toàn không đảm bảo việc vận hành máy an toàn.
4. **Tốc độ định mức của phụ kiện ít nhất phải bằng tốc độ tối đa được đánh dấu trên dụng cụ máy này.** Các phụ kiện chạy nhanh hơn tốc độ định mức của chúng có thể bị vỡ và bay ra ngoài.
5. **Đường kính bên ngoài và độ dày của phụ kiện phải nằm trong mức đánh giá công suất của dụng cụ máy của bạn.** Các phụ kiện có kích thước không chính xác không thể được bảo vệ hoặc kiểm soát một cách đầy đủ.
6. **Lắp ren của phụ kiện phải khớp với ren của trụ quay máy mài. Đối với các phụ kiện được gắn bằng mặt bích, lõi trục của phụ kiện đó phải vừa khít với đường kính định vị của mặt bích.** Các phụ kiện không khớp với phần kim loại lắp ghép của dụng cụ máy sẽ bị mất cân bằng, rung động quá mức và có thể gây ra mất kiểm soát.
7. **Không sử dụng phụ kiện đã hư hỏng. Trước mỗi lần sử dụng, kiểm tra phụ kiện như đĩa nhám xem có các mặt vụn và vết nứt hay không, tẩm đặt lót xem có nứt gãy hoặc bị ăn mòn quá mức không, sori kim loại của chốt sát kim loại có bị lỏng hoặc nứt không. Nếu dụng cụ máy hoặc phụ kiện bị rơi, hãy kiểm tra hư hỏng hoặc lắp lại phụ kiện không bị hư hại. Sau khi kiểm tra và cài đặt phụ kiện, hãy tìm chỗ đứng cho bản thân mình và những người xung quanh để tránh xa mặt phẳng phụ kiện quay và chạy dụng cụ máy này ở tốc độ không tải tối đa trong vòng một phút.** Phụ kiện bị hư hỏng thông thường sẽ bị vỡ trong thời gian thử nghiệm này.
8. **Mang thiết bị bảo hộ cá nhân. Tùy thuộc vào việc sử dụng máy, hãy dùng mặt nạ bảo vệ mặt, kính bảo hộ hoặc kính an toàn. Khi thích hợp, hãy mang mặt nạ chống bụi, dụng cụ bảo vệ thính giác, găng tay và tạp dề làm việc có khả năng ngăn chặn các mảnh mài mòn hoặc mảnh vỡ từ vật gia công. Thiết bị bảo vệ mắt phải có khả năng ngăn chặn các mảnh vụn bay ra phát sinh bởi các hoạt động khác nhau. Mặt nạ chống bụi hoặc khẩu trang phải có khả năng lọc được các hạt tạo ra bởi hoạt động của bạn. Tiếp xúc kéo dài với tiếng ồn có cường độ cao có thể gây ra mất thính giác.**
9. **Giữ những người xung quanh tránh xa nơi làm việc một khoảng cách an toàn. Bất cứ ai bước vào khu vực làm việc đều phải đeo thiết bị bảo hộ cá nhân.** Các mảnh vỡ của phôi gia công hoặc phụ kiện bị vỡ có thể bắn ra và gây thương tích bên ngoài khu vực thao tác cạnh đó.
10. **Chỉ cầm dụng cụ máy bằng bề mặt kẹp cách điện khi thực hiện một thao tác trong đó bộ phận cắt có thể tiếp xúc với dây dẫn kín hoặc dây của chính nó.** Phụ kiện cắt tiếp xúc với dây dẫn “có điện” có thể khiến các bộ phận kim loại bị hở của dụng cụ máy “có điện” và làm cho người vận hành bị điện giật.
11. **Đặt dây dẫn không để vướng phụ kiện quay.** Nếu bạn bị mất kiểm soát, dây dẫn có thể bị cắt hoặc bị quấn và bàn tay hoặc cánh tay của bạn có thể bị kéo vào phụ kiện quay đó.
12. **Không bao giờ đặt dụng cụ máy xuống cho đến khi phụ kiện đã dừng hẳn.** Phụ kiện quay có thể quán lý bề mặt và kéo công cụ máy vượt khỏi tầm kiểm soát của bạn.
13. **Không được chạy dụng cụ máy trong lúc đang mang bên hông bạn.** Tiếp xúc bất ngờ với phụ kiện quay có thể quán lý quần áo của bạn, kéo phụ kiện vướng vào người bạn.
14. **Thường xuyên làm sạch các lỗ thông hơi của dụng cụ máy.** Quạt của động cơ sẽ thu hút bụi vào bên trong vỏ và nhiều bột kim loại tích tụ có thể gây ra các nguy hiểm về điện.
15. **Không vận hành công cụ máy gần các vật liệu dễ cháy.** Các tia lửa có thể kích cháy các vật liệu này.
16. **Không sử dụng các phụ kiện có yêu cầu chất làm mát dạng lỏng.** Sử dụng chất làm mát bằng nước hoặc chất lỏng khác có thể dẫn đến điện giật hoặc sốc.

Lực đẩy ngược và Cảnh báo Liên quan

Lực đẩy ngược là phản ứng bất ngờ đối với đĩa mài, tẩm đặt lót, chốt hoặc bất cứ phụ kiện nào khác đang quay nhưng bị kẹt hoặc bị quấn. Việc bị kẹt hoặc quấn sẽ làm phụ kiện đang quay bị dừng nhanh chóng và do đó dụng cụ máy không kiểm soát được sẽ bị buộc phải theo hướng đối diện hướng quay của phụ kiện tại điểm bị ràng buộc.

Ví dụ, nếu đĩa nhám bị quấn hoặc kẹt bởi phôi gia công, phần mép của đĩa đang đi vào điểm kẹt có thể cày xới bề mặt vật liệu làm đĩa nhám trượt hoặc văng ra ngoài. Đĩa nhám có thể hoặc bật ra về gần hoặc xa khỏi người vận hành, tùy thuộc vào hướng chuyển động của đĩa nhám tại điểm kẹt. Đĩa nhám cũng có thể bị vỡ trong những tình trạng sau.

Lực đẩy ngược là kết quả của việc sử dụng dụng cụ máy không đúng và/hoặc do các quy trình vận hành hoặc các điều kiện không chính xác và có thể tránh được bằng cách thực hiện các biện pháp phòng ngừa thích hợp như được nêu dưới đây.

1. **Nắm giữ chắc dụng cụ máy và chọn thể đứng và vị trí tay cầm để cho phép bạn chống lại lực đẩy ngược.** Luôn luôn sử dụng tay cầm phụ, nếu được cung cấp, để kiểm soát tối đa lực đẩy ngược hoặc mô-men xoắn trong lúc khởi động. Người vận hành máy có thể kiểm soát mô-men xoắn hay lực đẩy ngược nếu thực hiện các biện pháp phòng ngừa đúng cách.
2. **Không bao giờ đặt tay bạn gần phụ kiện quay.** Phụ kiện có thể quạt ngược lại lên tay bạn.
3. **Không đứng tại vị trí nơi dụng cụ máy sẽ bị đẩy tới nếu xảy ra lực đẩy ngược.** Lực đẩy ngược sẽ làm xoay dụng cụ theo hướng ngược lại chuyển động của đĩa mài tại vị trí bị quấn.

- Cần đặc biệt cẩn thận khi thao tác với các cạnh góc, mép sắc, v.v... Tránh làm dẹt ra và uốn vào phụ kiện.** Các góc, mép sắc hoặc dẹt ra có xu hướng làm quần lấy phụ kiện đang quay và gây mất kiểm soát hoặc tạo lực đẩy ngược.
- Không được gắn lưỡi cưa xích khắc gỗ hoặc lưỡi cưa răng.** Các loại lưỡi như vậy thường tạo ra lực đẩy ngược và dễ mất kiểm soát.

Cảnh báo an toàn cụ thể cho thao tác mài và cắt nhám:

- Chỉ sử dụng các loại đĩa mài được khuyến nghị cho dụng cụ máy của bạn và phần bảo vệ cụ thể được thiết kế cho đĩa mài được chọn.** Các đĩa mài mà dụng cụ máy này không được thiết kế cho chúng sẽ không thể được bảo vệ đầy đủ và thường không an toàn.
- Bề mặt tay cầm của đĩa mài trung tâm bị nén xuống phải được gắn dưới mặt phẳng của mép phần bảo vệ.** Đĩa mài gắn không đúng cách nhô ra khỏi mặt phẳng của mép phần bảo vệ sẽ không thể được bảo vệ đầy đủ.
- Phần bảo vệ phải được gắn chặt vào dụng cụ máy và được để ở vị trí an toàn tối đa, do đó số đĩa mài tiếp xúc với người vận hành là ít nhất.** Phần bảo vệ giúp bảo vệ người vận hành khỏi mảnh vỡ từ đĩa mài bị vỡ, tiếp xúc bất ngờ với đĩa mài và các tia lửa có thể kích cháy quần áo.
- Chỉ sử dụng đĩa mài cho các ứng dụng được khuyến nghị.** Ví dụ: không mài mặt bên của đĩa mài cắt. Đĩa mài cắt nhám được dùng để mài ngoại vi, tác dụng lực mặt bên lên những đĩa mài này có thể khiến chúng vỡ vụn.
- Luôn luôn sử dụng mặt bích đĩa mài không bị hư hại có kích thước và hình dạng chính xác cho đĩa mài bạn đã chọn.** Các mặt bích đĩa mài phù hợp sẽ hỗ trợ đĩa mài giảm bớt khả năng bị vỡ đĩa mài. Các mặt bích dành cho đĩa cắt có thể khác với các mặt bích dành cho đĩa mài.
- Không sử dụng các đĩa đã bị mài mòn từ các dụng cụ máy lớn hơn.** Đĩa mài dùng cho dụng cụ máy lớn hơn sẽ không phù hợp với tốc độ cao hơn của dụng cụ nhỏ và có thể nổ.

Cảnh báo an toàn bổ sung chỉ định cho thao tác cắt nhám:

- Không làm “kẹt” đĩa cắt hoặc dùng lực quá nhiều.** Không có thực hiện chiều sâu cắt quá mức. Dùng lực quá nhiều lên đĩa mài sẽ làm tăng tải trọng và dễ bị xoắn hoặc bó kẹt đĩa mài khi cắt và có khả năng đẩy ngược hoặc bị vỡ đĩa mài.
- Không được để cơ thể bạn thẳng hàng và phía sau đĩa mài đang quay.** Khi đĩa mài, ở điểm vận hành, đang di chuyển ra xa cơ thể bạn, lực bật ngược có thể xảy ra có thể có thể đẩy đĩa mài quay và dụng cụ máy trực tiếp về phía bạn.
- Khi đĩa mài bị bó kẹt hoặc khi đường cắt bị gián đoạn vì bất kỳ lý do nào, hãy tắt dụng cụ máy và giữ dụng cụ máy đứng im cho đến khi đĩa mài hoàn toàn dừng lại.** Không được cố gỡ đĩa cắt ra khỏi đường cắt khi đĩa mài vẫn đang chuyển động nếu không có thể xảy ra hiện tượng bật ngược lại. Kiểm tra và tiến hành khắc phục để loại bỏ nguyên nhân gây bó kẹt đĩa mài.

- Không khởi động lại thao tác cắt trong phôi gia công.** Để đĩa mài đạt đến tốc độ tối đa và cẩn thận nhập lại đường cắt. Đĩa mài có thể bị bó kẹt, bật lên hoặc bật ngược lại nếu dụng cụ máy được khởi động lại trong phôi gia công.
- Đỡ tấm ván hoặc phôi gia công có kích thước quá lớn để giảm thiểu nguy cơ làm kẹt bó đĩa và bật ngược lại.** Phôi gia công lớn thường có xu hướng võng xuống do khối lượng của nó. Phải đặt các giá đỡ dưới phôi gia công gần đường cắt và gần cạnh của phôi gia công ở cả hai phía của đĩa mài.
- Đặc biệt cẩn trọng khi thực hiện “cắt luân” vào các trường hợp có sẵn hoặc các vùng khó nhìn khác.** Đĩa mài nhỏ ra có thể cắt phải ống ga hoặc ống nước, dây điện hoặc các vật có khả năng gây nên hiện tượng bật lại.

Cảnh báo an toàn chỉ định cho thao tác chà nhám:

- Không sử dụng giấy chà nhám dạng đĩa có khổ quá lớn.** Làm theo các khuyến nghị của nhà sản xuất khi lựa chọn giấy nhám. Giấy nhám lớn hơn vọt ra khỏi tấm đánh nhám sẽ dễ gây nguy hiểm rách giấy và có thể gây quần, xước rách đĩa hoặc tạo lực đẩy ngược.

Cảnh báo an toàn chỉ định cho thao tác đánh bàn chải kim loại:

- Cần biết rằng các sợi lông cứng bằng kim loại sẽ bị văng ra khỏi chổi ngay cả trong quá trình vận hành bình thường.** Không dùng lực ứng suất vượt tải lên sợi kim loại bằng cách áp tải quá mức lên chổi. Các sợi lông cứng bằng kim loại có thể dễ dàng xuyên qua quần áo mỏng và/hoặc da.
- Nếu sử dụng phần bảo vệ được khuyến nghị để đánh bàn chải kim loại, không để cho bất kỳ đĩa sợi hoặc chổi sắt nào vướng vào phần bảo vệ.** Đĩa sợi hoặc chổi sắt có thể mở rộng đường kính do tải trọng công việc và lực ly tâm.

Cảnh báo an toàn bổ sung:

- Khi sử dụng đĩa mài trung tâm bị nén xuống, hãy chắc chắn là bạn chỉ sử dụng đĩa mài có sợi thủy tinh gia cố.**
- KHÔNG BAO GIỜ SỬ DỤNG** đĩa mài loại Nắp chụp bằng đá cho máy mài này. Máy mài này không được thiết kế cho những loại đĩa mài này và việc sử dụng một sản phẩm như vậy có thể gây thương tích cả nhân nghiêm trọng.
- Cẩn thận không được làm hỏng trụ quay, mặt bích (đặc biệt là bề mặt lắp đặt) hoặc đai ốc khóa.** Hư hỏng đối với các bộ phận này có thể dẫn đến vỡ đĩa mài.
- Phải đảm bảo rằng đĩa mài không tiếp xúc với phôi gia công trước khi bật công tắc lên.**
- Trước khi sử dụng dụng cụ máy trên phôi gia công thực, hãy để dụng cụ chạy trong ít phút.** Theo dõi sự rung động hoặc đu đưa qua lại có thể cho thấy việc lắp đặt không đạt yêu cầu hoặc đĩa mài được cân bằng kém.
- Sử dụng bề mặt của đầu mài chỉ định để thực hiện mài.**
- Không để mặc dụng cụ hoạt động.** Chỉ vận hành dụng cụ khi cầm trên tay.

8. Không chạm vào phôi gia công ngay sau khi vận hành; chúng có thể rất nóng và có thể gây bỏng da.
9. Tuân thủ các hướng dẫn của nhà sản xuất để gắn và sử dụng chính xác các đĩa mài. Xử lý và lưu trữ các đĩa mài cẩn thận.
10. Không sử dụng các ống đệm giảm thiểu riêng biệt hoặc các bộ tiếp nối để lắp các đĩa nhám có lỗ lớn vào.
11. Chỉ sử dụng các mặt bích được quy định cho dụng cụ này.
12. Đối với các dụng cụ dự định sẽ được trang bị đĩa mài lỗ có ren, đảm bảo rằng các ren trong đĩa mài đủ dài để chấp nhận chiều dài trục quay.
13. Kiểm tra xem phôi gia công đã được kê đỡ đầy đủ chưa.
14. Chú ý rằng đĩa mài sẽ tiếp tục quay sau khi tắt dụng cụ.
15. Nếu nơi làm việc rất nóng và ẩm ướt, hoặc bị ô nhiễm nặng bởi bụi dẫn điện, hãy dùng bộ ngắt điện đoàn mạch (30 mA) để bảo đảm an toàn cho người vận hành.
16. Không dùng dụng cụ này trên bất kỳ vật liệu nào có chứa amiăng.
17. Khi sử dụng đĩa cắt, luôn làm việc bằng phần bảo vệ đĩa gom bụi bắt buộc theo quy định trong nước.
18. Đĩa cắt không phải chịu bất kỳ áp lực bên nào.
19. Không sử dụng gang tay làm việc bằng vải trong khi vận hành. Sợi từ gang tay bằng vải có thể đi vào dụng cụ, làm dụng cụ hư hỏng.

LƯU GIỮ CÁC HƯỚNG DẪN NÀY.

⚠ CẢNH BÁO: KHÔNG vì đã thoải mái hay quen thuộc với sản phẩm (có được do sử dụng nhiều lần) mà không tuân thủ nghiêm ngặt các quy định về an toàn dành cho sản phẩm này. VIỆC DÙNG SAI hoặc không tuân theo các quy định về an toàn được nêu trong tài liệu hướng dẫn này có thể dẫn đến thương tích cá nhân nghiêm trọng.

MÔ TẢ CHỨC NĂNG

⚠ THẬN TRỌNG: Luôn bảo đảm rằng dụng cụ được tắt điện và rút phích cắm trước khi điều chỉnh hoặc kiểm tra chức năng của dụng cụ.

⚠ THẬN TRỌNG: Trả cần khởi động công tắc về vị trí “OFF” (TẮT) trong trường hợp vô ý rút dây nguồn, mất điện, hoặc vô ý ngắt nguồn điện. Nếu không dụng cụ có thể bất ngờ khởi động khi có nguồn điện trở lại và có thể dẫn đến thương tích cá nhân.

Khóa trục

Nhấn khóa trục để ngăn xoay trục quay khi lắp hoặc tháo phụ kiện.

► Hình1: 1. Khóa trục

CHÚ Ý: Không bao giờ kích hoạt khóa trục khi trục quay đang di chuyển. Dụng cụ có thể bị hư hỏng.

Hoạt động công tắc

⚠ THẬN TRỌNG: Trước khi cắm điện vào dụng cụ, luôn luôn kiểm tra xem cần khởi động công tắc có hoạt động bình thường hay không và trả về vị trí “OFF” (TẮT) khi nhả ra.

► Hình2: 1. Cần khởi động công tắc 2. Cần khóa

Đối với dụng cụ có công tắc gài khóa

⚠ THẬN TRỌNG: Công tắc có thể khóa ở vị trí “ON” (BẬT) để người vận hành dễ dàng thuận tiện trong quá trình sử dụng kéo dài. Cần hết sức cẩn trọng khi khóa dụng cụ ở vị trí “ON” (BẬT) và phải luôn giữ chặt dụng cụ.

Để khởi động dụng cụ, chỉ cần kéo cần khởi động công tắc (theo hướng B). Nhả cần khởi động công tắc ra để dừng.

Để tiếp tục vận hành, hãy kéo cần khởi động công tắc (theo hướng B) và sau đó nhấn vào cần khóa (theo hướng A).

Để dừng dụng cụ từ vị trí đã khóa, hãy kéo cần khởi động công tắc hết mức (theo hướng B), sau đó nhả ra.

Đối với dụng cụ có công tắc nhà khóa

Để ngăn ngừa vô tình kéo cần khởi động công tắc, dụng cụ được trang bị một cần khóa.

Để khởi động dụng cụ, nhấn cần khóa (theo hướng A) và kéo cần khởi động công tắc (theo hướng B). Nhả cần khởi động công tắc ra để dừng.

CHÚ Ý: Không được kéo mạnh bộ khởi động công tắc mà không ấn nút nhà khóa. Điều này có thể làm gãy nứt công tắc.

Đối với dụng cụ có công tắc gài khóa và nhà khóa

⚠ THẬN TRỌNG: Công tắc có thể khóa ở vị trí “ON” (BẬT) để người vận hành dễ dàng thuận tiện trong quá trình sử dụng kéo dài. Cần hết sức cẩn trọng khi khóa dụng cụ ở vị trí “ON” (BẬT) và phải luôn giữ chặt dụng cụ.

Để ngăn ngừa vô tình kéo cần khởi động công tắc, dụng cụ được trang bị một cần khóa.

Để khởi động dụng cụ, nhấn cần khóa (theo hướng A) và kéo cần khởi động công tắc (theo hướng B). Nhả cần khởi động công tắc ra để dừng.

Để tiếp tục vận hành, nhấn cần khóa (theo hướng A), kéo cần khởi động công tắc (theo hướng B) và sau đó kéo cần khóa (theo hướng C).

Để dừng dụng cụ từ vị trí đã khóa, hãy kéo cần khởi động công tắc hết mức (theo hướng B), sau đó nhả ra.

CHÚ Ý: Không được kéo mạnh bộ khởi động công tắc mà không ấn nút nhả khóa. Điều này có thể làm gãy nút công tắc.

Đèn chỉ báo

Chỉ dành cho kiểu máy GA7061R / GA9061R

► **Hình3:** 1. Đèn chỉ báo

Đèn chỉ báo sẽ sáng màu xanh lá khi dụng cụ được cắm điện.

Nếu đèn chỉ báo này không sáng, dây điện chính hoặc bộ điều khiển có thể bị hỏng.

Đèn chỉ báo bật sáng nhưng dụng cụ không khởi động ngay cả khi dụng cụ được bật lên, các chổi các-bon có thể bị mòn, hoặc bộ điều khiển, motor hoặc công tắc ON/OFF có thể bị hư hỏng.

Chống vô tình khởi động lại

Dụng cụ sẽ không khởi động với công tắc đang được gài khóa ngay cả khi dụng cụ đã được cắm vào. Lúc này, đèn chỉ báo sẽ nhấp nháy đỏ và cho thấy chức năng chống vô tình khởi động lại đang hoạt động.

Để hủy bỏ chức năng chống vô tình khởi động lại, trả lại công tắc điện sang vị trí OFF (TẮT).

LƯU Ý: Đợi hơn một giây trước khi khởi động lại dụng cụ khi chức năng chống vô tình khởi động lại.

Tính năng khởi động mềm

Tính năng khởi động mềm làm giảm phản lực khi khởi động.

LẮP RÁP

⚠ THẬN TRỌNG: Luôn luôn đảm bảo rằng dụng cụ đã được tắt và tháo phích cắm trước khi dùng dụng cụ thực hiện bất cứ công việc nào.

Lắp đặt tay cầm hông (tay cầm)

⚠ THẬN TRỌNG: Luôn đảm bảo rằng tay cầm hông được gắn chặt trước khi vận hành.

Vặn tay cầm hông thật chặt trên vị trí của dụng cụ như thể hiện trên hình vẽ.

► **Hình4**

Lắp hoặc tháo phần bảo vệ đĩa (Dành cho đĩa mài trung tâm bị nén xuống, đĩa nhám xếp, đĩa lật, chổi sắt dạng đĩa mài / đĩa cắt nhám, đĩa mài kim cương)

⚠ CẢNH BÁO: Khi sử dụng đĩa mài trung tâm bị nén xuống, đĩa nhám xếp, đĩa lật hoặc chổi sắt dạng đĩa mài, phần bảo vệ đĩa phải được trang bị trên dụng cụ sao cho bên đóng lại của phần bảo vệ luôn chỉ về phía người vận hành.

⚠ CẢNH BÁO: Khi sử dụng đĩa cắt nhám/đĩa mài kim cương, hãy chắc chắn là bạn chỉ sử dụng phần bảo vệ đĩa chuyên dụng được thiết kế để sử dụng với đĩa cắt.

(Ở một vài quốc gia Châu Âu, khi sử dụng đĩa mài kim cương, phần bảo vệ thông thường có thể được sử dụng. Theo các quy định ở đất nước của bạn.)

Đối với dụng cụ phần bảo vệ đĩa loại vít hãm

Gắn phần bảo vệ đĩa với phần nhô ra trên đai của phần bảo vệ đĩa đã căn chỉnh các rãnh khía trên hộp ổ đệm. Sau đó quay phần bảo vệ đĩa sang góc mà có thể bảo vệ người vận hành tùy theo công việc. Đảm bảo đã vận chặt bu-lông sáu cạnh.

Để tháo phần bảo vệ đĩa, hãy làm ngược lại quy trình lắp vào.

► **Hình5:** 1. Phần bảo vệ đĩa 2. Hộp ổ đệm 3. Vít

Đối với dụng cụ phần bảo vệ đĩa loại cần kẹp

Nới lỏng vít, và sau đó kéo nó ra theo hướng mũi tên. Gắn phần bảo vệ đĩa với phần nhô ra trên đai của phần bảo vệ đĩa đã căn chỉnh các rãnh khía trên hộp ổ đệm. Sau đó quay phần bảo vệ đĩa sang góc mà có thể bảo vệ người vận hành tùy theo công việc.

► **Hình6:** 1. Phần bảo vệ đĩa 2. Hộp ổ đệm 3. Vít 4. Cần kẹp

Kéo cần theo hướng mũi tên. Sau đó vận chặt phần bảo vệ đĩa cùng với việc xiết vít. Đảm bảo đã vận chặt bu-lông sáu cạnh. Góc cài đặt của phần bảo vệ đĩa có thể được điều chỉnh với cần.

► **Hình7:** 1. Vít 2. Cần kẹp

Để tháo phần bảo vệ đĩa, hãy làm ngược lại quy trình lắp vào.

Lắp hoặc tháo đĩa mài trung tâm bị nén xuống hoặc đĩa nhám xếp

Phụ kiện tùy chọn

⚠ CẢNH BÁO: Khi sử dụng đĩa mài trung tâm bị nén xuống hoặc đĩa nhám xếp, phần bảo vệ đĩa phải được trang bị trên dụng cụ sao cho bên trong của phần bảo vệ luôn chỉ về phía người vận hành.

⚠ THẬN TRỌNG: Đảm bảo rằng phần gắn của vành trong vừa khít với đường kính trong của đĩa mài trung tâm bị nén xuống/đĩa nhám xếp. Việc gắn vành trong sai mặt có thể gây ra rung động nguy hiểm.

Gắn vành trong lên trụ quay.

Đảm bảo đã gắn bộ phận răng cưa của vành trong lên bộ phận thẳng ở đáy trụ quay.

Gắn khít đĩa mài/đĩa trên vành trong và vặn đai ốc khóa với phần nhỏ ra mặt hướng xuống (hướng về đĩa mài).

► **Hình8:** 1. Đai ốc khóa 2. Đĩa mài trung tâm bị nén xuống 3. Vành trong 4. Phần gắn

Để vặn chặt đai ốc khóa, hãy nhấn khóa trục sao cho trục quay không thể xoay, sau đó sử dụng cờ lê đai ốc khóa và vặn chặt lại theo chiều kim đồng hồ.

► **Hình9:** 1. Cờ-lê khóa đai ốc 2. Khóa trục

Để tháo đĩa mài, hãy làm ngược lại quy trình lắp vào.

Lắp hoặc tháo đĩa lật

Phụ kiện tùy chọn

⚠ CẢNH BÁO: Luôn sử dụng phần bảo vệ được cung cấp khi đĩa lật đang trên dụng cụ. Đĩa mài có thể vỡ vụn trong khi sử dụng và phần bảo vệ giúp làm giảm nguy cơ thương tích cá nhân.

► **Hình10:** 1. Đai ốc khóa 2. Đĩa lật 3. Tấm dự phòng 4. Vành trong

Làm theo hướng dẫn dành cho đĩa mài trung tâm bị nén xuống, ngoài ra cũng nên sử dụng tấm dự phòng lên trên đĩa mài. Xem thứ tự lắp ráp trên trang phụ kiện trong hướng dẫn sử dụng này.

Vành đặc biệt

Phụ kiện tùy chọn

Chỉ dành cho ren trụ quay M14.

Kiểu máy có ký tự F được trang bị chuẩn với vành đặc biệt. Chỉ cần 1/3 nỗ lực để tháo đai ốc khóa so với kiểu thông thường.

Lắp hoặc tháo Ezynut

Phụ kiện tùy chọn

Chỉ dành cho ren trụ quay M14.

⚠ THẬN TRỌNG: Không sử dụng Ezynut kèm Theo Vòng Đệm hoặc máy mài góc có chữ "F" ở cuối của số kiểu máy. Các vành này dày đến mức trụ quay không thể chứa toàn bộ ren.

Gắn vành trong, đĩa nhám và Ezynut lên trên trụ quay sao cho Logo Makita trên mặt Ezynut hướng ra ngoài.

► **Hình11:** 1. Ezynut 2. Đĩa nhám 3. Vành trong 4. Trụ quay

Bấm chặt khóa trục và vặn chặt Ezynut bằng cách xoay đĩa nhám theo chiều kim đồng hồ hết mức xoay.

► **Hình12:** 1. Khóa trục

Để rời lồng Ezynut, xoay vòng ngoài của Ezynut ngược chiều kim đồng hồ.

LƯU Ý: Có thể rời lồng Ezynut bằng tay khi mũi tên chỉ đến rãnh khía. Nếu không, cần có cờ-lê đai ốc khóa để rời lồng nó. Lắp chốt của cờ-lê vào lỗ và vặn Ezynut ngược chiều kim đồng hồ.

► **Hình13:** 1. Mũi tên 2. Rãnh khía

► **Hình14**

Gắn hoặc tháo đĩa nhám

Phụ kiện tùy chọn

► **Hình15:** 1. Đai ốc khóa chà nhám 2. Đĩa nhám 3. Tấm cao su

1. Gắn tấm cao su lên trụ quay.
2. Gắn khít đĩa trên tấm cao su và vặn đai ốc khóa chà nhám lên trụ quay.
3. Giữ trục quay bằng khóa trục, và vặn chặt đai ốc khóa chà nhám theo chiều kim đồng hồ bằng cờ lê đai ốc khóa.

Để tháo đĩa nhám, hãy làm ngược lại quy trình lắp vào.

LƯU Ý: Sử dụng các phụ kiện máy chà nhám được quy định trong sách hướng dẫn này. Các mục này phải được mua riêng.

Lắp đặt hoặc tháo tay cầm có quai

Phụ kiện tùy chọn

⚠ THẬN TRỌNG: Luôn luôn đảm bảo rằng các bu-lông trên tay cầm có quai được siết an toàn trước khi sử dụng.

⚠ THẬN TRỌNG: Cầm khu vực mài của tay cầm có quai theo quy định trong hình. Ngoài ra, giữ cho tay tránh xa bộ phận kim loại của máy mài trong quá trình vận hành. Chạm vào bộ phận kim loại có thể dẫn đến điện giật, khi phụ tùng cắt vô tình cắt trúng dây điện trần.

► **Hình16:** 1. Tay cầm có quai 2. Bu-lông 3. Khu vực mài

Tay cầm có quai có thể thoải mái hơn so với tay cầm hông gốc đối với một số ứng dụng. Để cài đặt tay cầm có quai, đặt nó lên dụng cụ như minh họa và vận chặt hai bu-lông để cố định lại. Để tháo tay cầm có quai, thực hiện ngược lại quy trình lắp vào.

VẬN HÀNH

⚠ CẢNH BÁO: Không cần thiết phải dùng lực lên dụng cụ. Khối lượng của dụng cụ sẽ gây ra một áp lực thích hợp. Dùng lực và dùng lực quá nhiều có thể gây vỡ đĩa mài rất nguy hiểm.

⚠ CẢNH BÁO: LUÔN thay đĩa mài nếu dụng cụ bị rơi ra trong khi mài.

⚠ CẢNH BÁO: KHÔNG BAO GIỜ đập hoặc đung vào đĩa mài hoặc đĩa đang làm việc.

⚠ CẢNH BÁO: Tránh dồn ép hoặc vướng vào đĩa mài, đặc biệt là khi làm việc với các góc, cạnh nhọn, v.v... Điều này có thể gây mất kiểm soát và tạo lực đẩy ngược.

⚠ CẢNH BÁO: KHÔNG BAO GIỜ sử dụng dụng cụ có lưỡi cắt gỗ và các loại lưỡi cưa khác. Các loại lưỡi như vậy khi được sử dụng trên máy mài sẽ thường xuyên gây giật và làm mất kiểm soát dẫn đến thương tích cá nhân.

⚠ THẬN TRỌNG: Không bao giờ bật dụng cụ lên khi nó đang tiếp xúc với phôi gia công, điều này có thể gây thương tích cho người vận hành.

⚠ THẬN TRỌNG: Luôn mang kính bảo hộ hoặc mặt nạ bảo vệ mặt trong khi vận hành.

⚠ THẬN TRỌNG: Sau khi vận hành, luôn tắt dụng cụ và chờ đến khi đĩa mài dừng hoàn toàn trước khi đặt dụng cụ xuống.

⚠ THẬN TRỌNG: LUÔN cầm chắc dụng cụ bằng một tay đặt lên vô dụng cụ và tay kia đặt lên tay cầm hông (tay nắm).

Thao tác mài và chà nhám

► Hình17

Bật dụng cụ lên và sau đó sử dụng đĩa mài hoặc đĩa cho phôi gia công. Nói chung, hãy giữ cạnh đĩa mài hoặc đĩa ở một góc khoảng 15° so với bề mặt phôi gia công. Trong giai đoạn đưa đĩa mài mới vào, không làm việc khi máy mài đang hướng về trước, nếu không nó có thể cắt vào phôi gia công. Một khi các cạnh của đĩa mài đã được bo tròn bằng cách sử dụng, các đĩa mài có thể được làm việc ở cả hai hướng về trước và về sau.

Vận hành với đĩa cắt nhám/đĩa mài kim cương

Phụ kiện tùy chọn

⚠ CẢNH BÁO: Khi sử dụng đĩa cắt nhám/đĩa mài kim cương, hãy chắc chắn là bạn chỉ sử dụng phần bảo vệ đĩa chuyên dụng được thiết kế để sử dụng với đĩa cắt.

(Ở một vài quốc gia Châu Âu, khi sử dụng đĩa mài kim cương, phần bảo vệ thông thường có thể được sử dụng. Theo các quy định ở đất nước của bạn.)

⚠ CẢNH BÁO: KHÔNG BAO GIỜ sử dụng đĩa cắt để mài mặt bên.

⚠ CẢNH BÁO: Không làm “kẹt” đĩa mài hoặc dùng lực quá nhiều. Không có thực hiện chiều sâu cắt quá mức. Dùng lực quá nhiều lên đĩa mài sẽ làm tăng tải trọng và dễ bị xoắn hoặc bỏ kẹt đĩa mài khi cắt và có khả năng đẩy ngược, vỡ đĩa mài và động cơ quá nhiệt có thể xảy ra.

⚠ CẢNH BÁO: Không khởi động thao tác cắt trong phôi gia công. Để đĩa mài đạt đến tốc độ tối đa và cân thận nhập lại đường cắt di chuyển dụng cụ về phía trước trên bề mặt phôi gia công. Đĩa mài có thể bị bó kẹt, bật lên hoặc bật ngược lại nếu dụng cụ máy được khởi động trong phôi gia công.

⚠ CẢNH BÁO: Trong lúc cắt, không bao giờ thay đổi góc đĩa mài. Đặt áp lực hông trên đĩa cắt (cũng như khi mài) sẽ làm cho đĩa cắt nứt và vỡ, gây thương tích cá nhân nghiêm trọng.

⚠ CẢNH BÁO: Đĩa mài kim cương nên được đặt vuông góc với vật liệu được cắt.

Gắn vành trong lên trụ quay.

Gắn khít đĩa mài/đĩa trên vành trong và vận đai ốc khóa lên trụ quay.

► **Hình18:** 1. Đai ốc khóa 2. Đĩa cắt nhám / đĩa mài kim cương 3. Vành trong 4. Phần bảo vệ đĩa dành cho đĩa cắt nhám / đĩa mài kim cương

Đối với Úc và New Zealand

► **Hình19:** 1. Đai ốc khóa 2. Vành ngoài 78 3. Đĩa cắt nhám / đĩa mài kim cương 4. Vành trong 78 5. Phần bảo vệ đĩa dành cho đĩa cắt nhám / đĩa mài kim cương

Vận hành với chổi sắt dạng côn

Phụ kiện tùy chọn

⚠ THẬN TRỌNG: Kiểm tra hoạt động của chổi bằng cách chạy dụng cụ không tải, đảm bảo rằng không có ai ở phía trước hoặc ngang hàng với chổi.

⚠ THẬN TRỌNG: Không sử dụng chổi đã bị hư, hoặc mất cân bằng. Sử dụng chổi hư có thể làm tăng khả năng thương tích do tiếp xúc với sợi kim loại của chổi đã gãy.

► **Hình20:** 1. Chổi sắt dạng côn

Rút phích cắm dụng cụ và đặt dụng cụ ngược xuống cho phép bạn dễ dàng tiếp cận với trục quay. Tháo bất kỳ phụ tùng nào trên trục quay. Lắp chổi sắt dạng côn lên trục quay và vận hành bằng cờ lê được cung cấp.

CHÚ Ý: Tránh dùng lực quá nhiều có thể làm sợi kim loại cong khi sử dụng chổi. Nó có thể dẫn đến sớm bị gãy vỡ.

Vận hành với chổi sắt dạng đĩa mài

Phụ kiện tùy chọn

⚠ THẬN TRỌNG: Kiểm tra hoạt động của chổi sắt dạng đĩa mài bằng cách chạy dụng cụ không tải, đảm bảo rằng không có ai ở phía trước hoặc thẳng hàng với chổi sắt dạng đĩa mài.

⚠ THẬN TRỌNG: Không sử dụng chổi sắt dạng đĩa mài đã bị hư, hoặc mất cân bằng. Sử dụng chổi sắt dạng đĩa mài bị hư có thể làm tăng khả năng thương tích do tiếp xúc với sợi kim loại đã gãy.

⚠ THẬN TRỌNG: LUÔN sử dụng phần bảo vệ với chổi sắt dạng đĩa mài, hãy đảm bảo đường kính của đĩa mài vừa với phần bảo vệ bên trong. Đĩa mài có thể vỡ vụn trong khi sử dụng và phần bảo vệ giúp làm giảm nguy cơ thương tích cá nhân.

► **Hình21:** 1. Chổi sắt dạng đĩa mài

Rút phích cắm dụng cụ và đặt dụng cụ ngược xuống cho phép bạn dễ dàng tiếp cận với trục quay. Tháo bất kỳ phụ tùng nào trên trục quay. Lắp chổi sắt dạng đĩa mài lên trục quay và vận hành bằng các cờ lê.

CHÚ Ý: Tránh dùng lực quá nhiều có thể làm sợi kim loại cong khi sử dụng chổi sắt dạng đĩa mài. Nó có thể dẫn đến sớm bị gãy vỡ.

BẢO TRÌ

⚠ THẬN TRỌNG: Luôn bảo đảm rằng dụng cụ được tắt điện và rút phích cắm trước khi thử thực hiện việc kiểm tra hoặc bảo trì.

CHÚ Ý: Không được phép dùng xăng, ết xăng, dung môi, cồn hoặc hóa chất tương tự. Có thể xảy ra hiện tượng mất màu, biến dạng hoặc nứt vỡ.

Vệ sinh lỗ thông khí

Dụng cụ và các khe thông khí của nó cần phải được giữ sạch sẽ. Thường xuyên vệ sinh các khe thông khí của dụng cụ hoặc bất cứ khi nào các khe này bắt đầu bị kẹt vướng.

► **Hình22:** 1. Lỗ thông khí thải 2. Lỗ hút khí

LƯU Ý: Không được rời lỏng vít trên nắp nhãn tên. Nếu không nắp có thể vô tình bị mở ra.

► **Hình23:** 1. Vít

Để đảm bảo ĐỘ AN TOÀN và ĐỘ TIN CẬY của sản phẩm, việc sửa chữa hoặc bất cứ thao tác bảo trì, điều chỉnh nào đều phải được thực hiện bởi các Trung tâm Dịch vụ Nhà máy hoặc Trung tâm được Makita Ủy quyền và luôn sử dụng các phụ tùng thiết bị thay thế của Makita.

PHỤ KIỆN TÙY CHỌN

⚠ THẬN TRỌNG: Các phụ kiện hoặc phụ tùng gắn thêm này được khuyến cáo sử dụng với dụng cụ Makita của bạn theo như quy định trong hướng dẫn này. Việc sử dụng bất cứ phụ kiện hoặc phụ tùng gắn thêm nào khác đều có thể gây ra rủi ro thương tích cho người. Chỉ sử dụng phụ kiện hoặc phụ tùng gắn thêm cho mục đích đã quy định sẵn của chúng.

Nếu bạn cần bất kỳ sự hỗ trợ nào để biết thêm chi tiết về các phụ tùng này, hãy hỏi Trung tâm Dịch vụ của Makita tại địa phương của bạn.

► **Hình 24**

1	Tay cầm hông/Tay cầm có quai
2	Phần bảo vệ đĩa dành cho đĩa mài trung tâm bị nén xuống / Đĩa nhám xếp / Chổi sắt dạng đĩa mài
3	Vành trong / Vành đặc biệt *1*2
4	Đĩa mài trung tâm bị nén xuống / Đĩa nhám xếp
5	Đai ốc khóa / Ezynut *1*2
6	Phần bảo vệ đĩa dành cho đĩa cắt nhám / Đĩa mài kim cương *3
7	Vành trong 78 (Chỉ Úc và New Zealand) *4
8	Đĩa cắt nhám / Đĩa mài kim cương
9	Vành ngoài 78 (Chỉ Úc và New Zealand) *4
10	Tấm cao su
11	Đĩa nhám
12	Đai ốc khóa chà nhám
13	Chổi sắt dạng đĩa mài
14	Chổi sắt dạng côn
-	Cờ-lê khóa đai ốc
-	Phụ kiện tấm chắn bụi

LƯU Ý: *1 Chỉ dành cho ren trụ quay M14.

LƯU Ý: *2 Không được sử dụng Vành đặc biệt và Ezynut với nhau.

LƯU Ý: *3 Ở một vài quốc gia Châu Âu, khi sử dụng đĩa mài kim cương, phần bảo vệ thông thường có thể được sử dụng thay cho phần bảo vệ đặc biệt phủ lên cả hai phía của đĩa mài. Theo các quy định ở đất nước của bạn.

LƯU Ý: *4 Sử dụng Vành trong 78 và Vành ngoài 78 với nhau. (Chỉ Úc và New Zealand)

LƯU Ý: Một số mục trong danh sách có thể được bao gồm trong gói dụng cụ làm phụ kiện tiêu chuẩn. Các mục này ở mỗi quốc gia có thể khác nhau.






ข้อมูลจำเพาะ

รุ่น:	GA7061	GA7061R	GA9061	GA9061R
เส้นผ่านศูนย์กลางลูกกลิ้ง	180 mm		230 mm	
ความหนาล้อสูงสุด	7.2 mm		6.5 mm	
แกนเสียบ	M14 หรือ M16 หรือ 5/8" (กำหนดเฉพาะประเทศ)			
อัตราความเร็ว (n)	8,500 min ⁻¹		6,600 min ⁻¹	
ความยาวโดยรวม	450 mm			
น้ำหนักสุทธิ	5.5 kg		5.7 kg	
มาตรฐานความปลอดภัย	☐//			

- เนื่องจากการค้นคว้าวิจัยและพัฒนาอย่างต่อเนื่อง ข้อมูลจำเพาะในเอกสารฉบับนี้อาจเปลี่ยนแปลงได้โดยไม่ต้องแจ้งให้ทราบล่วงหน้า
- ข้อมูลจำเพาะอาจแตกต่างกันไปในแต่ละประเทศ
- น้ำหนักตามข้อบังคับของ EPTA 01/2003

สัญลักษณ์

ต่อไปนี้เป็นสัญลักษณ์ที่ใช้สำหรับอุปกรณ์ โปรดศึกษาความหมายของสัญลักษณ์ให้เข้าใจก่อนการใช้งาน

	อ่านคู่มือการใช้งาน
	สวมแว่นตานิรภัย
	
	ฉนวนสองชั้น
	สำหรับประเทศในสหภาพยุโรปเท่านั้น ห้ามทั้งอุปกรณ์ไฟฟ้ารวมกับขั้วอะครีวเรือนทั่วไป! เพื่อให้เป็นไปตามกฎระเบียบของยุโรปเกี่ยวกับขั้วพาวเวอร์อุปกรณ์ไฟฟ้าและอิเล็กทรอนิกส์ และการปฏิบัติตามกฎหมายในประเทศ ต้องเก็บอุปกรณ์ไฟฟ้าทั้งหมดอายุการใช้งานแล้วแยกต่างหาก และส่งกลับไปยังศูนย์รีไซเคิลที่เป็นมิตรต่อสิ่งแวดล้อม

จุดประสงค์การใช้งาน

เครื่องมือนี้ใช้สำหรับขัด ขัดด้วยกระดาษทราย และตัดวัสดุที่เป็นเหล็กและหินโดยไม่ใช้น้ำ

แหล่งจ่ายไฟ

ควรเชื่อมต่อเครื่องมือกับแหล่งจ่ายไฟที่มีแรงดันไฟฟ้าตามที่ระบุไว้ในป้ายข้อมูลของเครื่องมือ และต้องใช้ไฟฟ้ากระแสสลับแบบเฟสเดียวเท่านั้น อุปกรณ์นี้ได้รับการคุ้มครองสองชั้นและสามารถใช้กับปลั๊กไฟที่ไม่มีสายดินได้

คำเตือนด้านความปลอดภัยของเครื่องมือไฟฟ้าทั่วไป

คำเตือน: อ่านคำเตือนด้านความปลอดภัยและคำแนะนำทั้งหมด การไม่ปฏิบัติตามคำเตือนและคำแนะนำดังกล่าวอาจส่งผลให้ไฟฟ้าช็อต ไฟไหม้ และ/หรือได้รับบาดเจ็บร้ายแรง

เก็บรักษาคำเตือนและคำแนะนำทั้งหมดไว้เป็นข้อมูลอ้างอิงในอนาคต

คำว่า "เครื่องมือไฟฟ้า" ในคำเตือนนี้หมายถึงเครื่องมือไฟฟ้า (มีสาย) ที่ทำงานโดยใช้กระแสไฟฟ้าหรือเครื่องมือไฟฟ้า (ไร้สาย) ที่ทำงานโดยใช้แบตเตอรี่

ความปลอดภัยของพื้นที่ทำงาน

1. ดูแลพื้นที่ทำงานให้มีความสะอาดและมีแสงไฟสว่าง พื้นที่ที่กระเบื้องหรือมัตที่บอบบางนำไปสู่การเกิดอุบัติเหตุได้

- อย่าใช้งานเครื่องมือไฟฟ้าในสภาพที่อาจเกิดการระเบิด เช่น ในสถานที่ที่มีของเหลว ก๊าซ หรือฝุ่นผงที่มีคุณสมบัติไวไฟ เครื่องมือไฟฟ้าอาจสร้างประกายไฟและจุดชนวนฝุ่นผงหรือก๊าซดังกล่าว
- ดูแลไม่ให้มีเด็กหรือบุคคลอื่นอยู่ในบริเวณที่กำลังใช้เครื่องมือไฟฟ้า การมีสิ่งรบกวนสมาธิอาจทำให้คุณสูญเสียการควบคุม

ความปลอดภัยด้านไฟฟ้า

- ปลั๊กของเครื่องมือไฟฟ้าต้องพอดีกับเต้ารับ อย่าดัดแปลงปลั๊กไม่ว่ากรณีใดๆ อย่าใช้ปลั๊กอะแดปเตอร์กับเครื่องมือไฟฟ้าที่ต่อสายดิน ปลั๊กที่ไม่ถูกดัดแปลงและเต้ารับที่เข้ากันพอดีจะช่วยลดความเสี่ยงของการเกิดไฟฟ้าช็อต
- ระวังอย่าให้ร่างกายสัมผัสกับพื้นผิวที่ต่อสายดิน เช่น ท่อ เครื่องนำความร้อน เตาहुงต้ม และตู้เย็น มีความเสี่ยงที่จะเกิดไฟฟ้าช็อตสูงขึ้น หากร่างกายของคุณสัมผัสกับพื้น
- อย่าให้เครื่องมือไฟฟ้าถูกน้ำหรืออยู่ในสภาพเปียกชื้น น้ำที่ไหลเข้าไปในเครื่องมือไฟฟ้าจะเพิ่มความเสี่ยงของการเกิดไฟฟ้าช็อต
- อย่าใช้สายไฟอย่างไม่เหมาะสม อย่าใช้สายไฟเพื่อยก ดึง หรือถอดปลั๊กเครื่องมือไฟฟ้า เก็บสายไฟให้ห่างจากความร้อน น้ำมัน ของมีคม หรือชิ้นส่วนที่เคลื่อนที่ สายที่ชำรุดหรือพันกันจะเพิ่มความเสี่ยงของการเกิดไฟฟ้าช็อต
- ขณะที่ใช้งานเครื่องมือไฟฟ้านอกอาคาร ควรใช้สายต่อพ่วงที่เหมาะสมกับงานภายนอกอาคาร การใช้สายที่เหมาะสมกับงานภายนอกอาคารจะลดความเสี่ยงของการเกิดไฟฟ้าช็อต
- หากต้องใช้งานเครื่องมือไฟฟ้าในสถานที่เปียกชื้น ให้ใช้อุปกรณ์ป้องกันกระแสไฟรั่ว (RCD) การใช้ RCD จะลดความเสี่ยงของการเกิดไฟฟ้าช็อต
- แนะนำให้ใช้แหล่งจ่ายไฟผ่าน RCD ที่มีกระแสไฟรั่วในอัตราไม่เกิน 30 mA เสมอ

ความปลอดภัยส่วนบุคคล

- ให้ระมัดระวังและมีสติอยู่เสมอขณะใช้งานเครื่องมือไฟฟ้า อย่าใช้งานเครื่องมือไฟฟ้าในขณะที่คุณกำลังเหนื่อย หรือในสภาพที่มึนเมาจากยาเสพติด เครื่องดื่ม แอลกอฮอล์ หรือการเข้ายา ช่วงเวลาที่ขาดความระมัดระวังเมื่อกำลังใช้งานเครื่องมือไฟฟ้าอาจทำให้ได้รับบาดเจ็บร้ายแรง

- ใช้อุปกรณ์ป้องกันส่วนบุคคล สวมแว่นตาป้องกันเสมอ อุปกรณ์ป้องกัน เช่น หน้ากากกันฝุ่น รองเท้านิรภัย กันลื่น หมวกนิรภัย หรือเครื่องป้องกันการได้ยินที่ใช้ในสภาพที่เหมาะสมจะช่วยลดการบาดเจ็บ
- ป้องกันไม่ให้เกิดการเปิดใช้งานโดยไม่ตั้งใจ ตรวจสอบให้แน่ใจว่าสวิตช์ปิดอยู่ก่อนที่จะเชื่อมต่อกับแหล่งจ่ายไฟ และ/หรือชุดแบตเตอรี่ รวมทั้งตรวจสอบก่อนการยกหรือเคลื่อนย้ายเครื่องมือ การสอดนิ้วมือบริเวณสวิตช์เพื่อถือเครื่องมือไฟฟ้า หรือการชาร์จไฟเครื่องมือไฟฟ้าในขณะที่เปิดสวิตช์อยู่อาจนำไปสู่การเกิดอุบัติเหตุ
- นำกฎแบบปรับตั้งหรือปรับออกก่อนที่จะเปิดเครื่องมือไฟฟ้า ประแจหรือกฎงูงที่เสียบค้างอยู่ในชิ้นส่วนที่หมุนได้ของเครื่องมือไฟฟ้าอาจทำให้ได้รับบาดเจ็บ
- อย่าทำงานในระบะที่มืดอ้อม จัดทำการยืนและการทรงตัวให้เหมาะสมตลอดเวลา เพราะจะทำให้ควบคุมเครื่องมือไฟฟ้าได้ดีขึ้นในสถานการณ์ที่ไม่คาดคิด
- แต่งกายให้เหมาะสม อย่าสวมเครื่องแต่งกายที่หลวมเกินไป หรือสวมเครื่องประดับ ดูแลไม่ให้เส้นผม เสื้อผ้า และถุงมืออยู่ใกล้ชิ้นส่วนที่เคลื่อนที่ เสื้อผ้า รุ่มร่าม เครื่องประดับ หรือผมที่มีความยาวอาจเข้าไปติดในชิ้นส่วนที่เคลื่อนที่
- หากมีการจัดอุปกรณ์สำหรับดูดและจัดเก็บฝุ่นไว้ในสถานที่ ให้ตรวจสอบว่าได้เชื่อมต่อและใช้งานอุปกรณ์นั้นอย่างเหมาะสม การใช้เครื่องดูดและจัดเก็บฝุ่นจะช่วยลดอันตรายที่เกิดจากฝุ่นผงได้

การใช้และดูแลเครื่องมือไฟฟ้า

- อย่าฝืนใช้เครื่องมือไฟฟ้า ใช้เครื่องมือไฟฟ้าที่เหมาะสมกับการใช้งานของคุณ เครื่องมือไฟฟ้าที่เหมาะสมจะทำให้ได้งานที่มีประสิทธิภาพและปลอดภัยกว่าตามขีดความสามารถของเครื่องที่ได้รับการออกแบบมา
- อย่าใช้เครื่องมือไฟฟ้า หากสวิตช์ไม่สามารถเปิดปิดได้ เครื่องมือไฟฟ้าที่ควบคุมด้วยสวิตช์ไม่ได้เป็นสิ่งอันตรายและต้องได้รับการซ่อมแซม
- ถอดปลั๊กจากแหล่งจ่ายไฟ และ/หรือชุดแบตเตอรี่ออกจากเครื่องมือไฟฟ้าก่อนทำการปรับตั้ง เปลี่ยนอุปกรณ์เสริม หรือจัดเก็บเครื่องมือไฟฟ้า วิธีการป้องกันด้านความปลอดภัยดังกล่าวจะช่วยลดความเสี่ยงของการเปิดใช้งานเครื่องมือไฟฟ้าอย่างไม่ตั้งใจ
- จัดเก็บเครื่องมือไฟฟ้าที่ไม่ได้ใช้งานให้ห่างจากมือเด็ก และอย่าอนุญาตให้บุคคลที่ไม่คุ้นเคยกับเครื่องมือไฟฟ้าหรือคำแนะนำเหล่านี้ใช้งานเครื่องมือไฟฟ้า เครื่องมือไฟฟ้าจะเป็นอันตรายเมื่ออยู่ในมือของผู้ที่ไม่ได้รับการฝึกอบรม

5. การดูแลรักษาเครื่องมือไฟฟ้า ตรวจสอบการประกอบที่ไม่ถูกต้องหรือการเชื่อมต่อของชิ้นส่วนที่เคลื่อนที่ การแตกหักของชิ้นส่วน หรือสภาพอื่น ๆ ที่อาจส่งผลกระทบต่อการทำงานของเครื่องมือไฟฟ้า หากมีความเสียหาย ให้นำเครื่องมือไฟฟ้าไปซ่อมแซมก่อนการใช้งาน อุบัติเหตุจำนวนมากเกิดจากการดูแลรักษาเครื่องมือไฟฟ้าอย่างไม่ถูกต้อง
6. ทำความสะอาดเครื่องมือตัดและลับให้คมอยู่เสมอ เครื่องมือการตัดที่มีการดูแลอย่างถูกต้องและมีขอบการตัดคมมักจะมีปัญหาติดขัดน้อยและควบคุมได้ง่ายกว่า
7. ใช้เครื่องมือไฟฟ้า อุปกรณ์เสริม และวัสดุสิ้นเปลือง ฯลฯ ตามคำแนะนำดังกล่าว พิจารณาสภาพการทำงานและงานที่จะลงมือทำ การใช้เครื่องมือไฟฟ้าเพื่อทำงานอื่นนอกเหนือจากที่กำหนดไว้อาจทำให้เกิดอันตราย

การซ่อมบำรุง

1. นำเครื่องมือไฟฟ้าเข้ารับบริการจากช่างซ่อมที่ผ่านการรับรองโดยใช้อะไหล่แบบเดียวกันเท่านั้น เพราะจะทำให้การใช้เครื่องมือไฟฟ้ามีความปลอดภัย
2. ปฏิบัติตามคำแนะนำในการหล่อลื่นและการเปลี่ยนอุปกรณ์เสริม
3. ดูแลมือจับให้แห้ง สะอาด และไม่มีน้ำมันและจาระบีเปื้อน

คำเตือนด้านความปลอดภัยของเครื่องขัด

คำเตือนด้านความปลอดภัยสำหรับการทำงานขัด ขัดด้วยกระดาษทราย การใช้แปรงลวดขัด หรือการตัดแบบขัด

1. เครื่องมือไฟฟ้าที่มีจุดประสงค์การใช้งานเพื่อใช้เป็นเครื่องขัด กระดาษทราย แปรงขัด หรือเครื่องมือตัด โปรดอ่านคำเตือนด้านความปลอดภัย คำแนะนำ ภาพประกอบ และข้อมูลจำเพาะต่างๆ ที่กำกับกับเครื่องมือไฟฟ้าอย่างละเอียด การไม่ปฏิบัติตามคำแนะนำดังกล่าวนี้อาจส่งผลให้เกิดไฟฟ้าช็อต ไฟไหม้ และ/หรือได้รับบาดเจ็บอย่างร้ายแรงได้
2. ไม่แนะนำให้ใช้เครื่องมือไฟฟ้านี้ในการขัดเงา การใช้งานเครื่องมือไฟฟ้านี้โดยผิดจุดประสงค์การใช้งานอาจเป็นสาเหตุของอันตรายและการบาดเจ็บได้
3. อย่าใช้อุปกรณ์เสริมที่ไม่ได้ออกแบบและแนะนำโดยผู้ผลิตเครื่องมือนี้ การที่อุปกรณ์เสริมต่างๆ สามารถติดตั้งเข้ากับเครื่องมือไฟฟ้าของคุณได้นั้นไม่ได้เป็นการรับประกันว่าจะสามารถใช้งานร่วมกับอุปกรณ์ดังกล่าวได้อย่างปลอดภัย

4. อัตราความเร็วของอุปกรณ์เสริมนี้เสถียรน้อยกว่าน้อยต้องเท่ากับความเร็วสูงสุดที่ระบุไว้ในเครื่องมือไฟฟ้านี้ อุปกรณ์เสริมที่ทำงานด้วยความเร็วกว่าอัตราความเร็วของตนอาจจะแตกหักหรือกระเด็นออกมาได้
5. เส้นผ่านศูนย์กลางภายนอกและความหนาของอุปกรณ์เสริมของคุณจะต้องอยู่ในอัตราความสามารถของเครื่องมือไฟฟ้าของคุณ อุปกรณ์เสริมที่มีขนาดไม่เหมาะสมจะไม่สามารถควบคุมหรือป้องกันได้อย่างมีประสิทธิภาพ
6. รูตติงของอุปกรณ์เสริมต้องมีขนาดพอดีกับแกนเสียบของเครื่องขัด สำหรับอุปกรณ์ที่ใช้การตัดแบบครีบ ร่องของอุปกรณ์ต้องมีขนาดพอดีกับเส้นผ่านศูนย์กลางของครีบ อุปกรณ์เสริมที่มีขนาดของสว่านติดตั้งไม่พอดีกับสว่านติดตั้งอุปกรณ์ของเครื่องมือไฟฟ้า จะทำให้ไม่สามารถทำงานได้อย่างสมดุล มีอาการสั่นมากเกินไป และอาจทำให้ไม่สามารถควบคุมได้
7. ห้ามใช้อุปกรณ์เสริมที่เสียหาย ก่อนใช้งานแต่ละครั้ง ให้ตรวจสอบอุปกรณ์เสริม เช่น หาเศษชิ้นส่วนและรอยแตกบนล้อขัด หารอยแตก การชำรุด หรือการสึกหรอที่มากเกินไปบนแผ่นหลัง และหาเส้นแปรงที่หลวมหรือแตกบนแปรงขัด หากอุปกรณ์เสริมของเครื่องมือไฟฟ้าตกลงพื้น ให้ตรวจสอบความเสียหายและติดตั้งอุปกรณ์เสริมที่ไม่มีความเสียหาย หลังจากการตรวจสอบและการติดตั้งอุปกรณ์เสริม ให้ตัวคุณเองและผู้อยู่ใกล้เคียงอยู่ห่างจากบริเวณที่อุปกรณ์หมุนและเปิดเครื่องมือไฟฟ้าที่ความเร็วหมุนเปล่าสูงสุดเป็นเวลาหนึ่งนาที โดยปกติแล้ว อุปกรณ์เสริมที่เสียหายจะแตกออกในระหว่างเวลาการทดสอบนี้
8. สวมอุปกรณ์ป้องกันส่วนบุคคล ขึ้นอยู่กับรูปแบบการใช้งานของคุณ ให้ใช้หน้ากาก หน้ากากนิรภัยหรือแว่นนิรภัย สวมหมวกป้องกันฝุ่น ที่ป้องกันเสียง ถุงมือ และผ้ากันเปื้อนที่สามารถป้องกันการกระเด็นของชิ้นงานได้ตามความเหมาะสม อุปกรณ์ป้องกันดวงตาจะต้องสามารถป้องกันฝุ่นหรือสิ่งสกปรกที่กระเด็นจากการทำงานได้ หน้ากากป้องกันฝุ่นหรือที่ช่วยหายใจจะต้องสามารถกรองอนุภาคที่เกิดจากการทำงานของคุณได้ การฟังเสียงดังมาก เป็นเวลานาน อาจทำให้ระบบการได้ยินเสียหายได้
9. โปรดกันให้ผู้ไม่เกี่ยวข้องอยู่ห่างจากบริเวณที่ปฏิบัติงานในระยะปลอดภัย ผู้ที่เข้าพื้นที่ปฏิบัติงานจะต้องสวมอุปกรณ์ป้องกันส่วนบุคคล เศษชิ้นงานหรืออุปกรณ์ที่แตกหักอาจจะกระเด็นและก่อให้เกิดอาการบาดเจ็บในสถานที่รอบๆ บริเวณปฏิบัติงานได้

10. ถือเครื่องมือบริเวณมือจับที่เป็นฉนวนเท่านั้น ขณะทำงานที่เครื่องมือตัดอาจสัมผัสกับสายไฟที่ซ่อนอยู่หรือสายไฟของเครื่องเอง หากอุปกรณ์ส่วนที่ใช้ตัดเกิดสัมผัสกับสายไฟที่ "มีกระแสไฟไหลผ่าน" อาจทำให้ส่วนที่เป็นโลหะของเครื่องมือไฟฟ้าที่ไม่มีฉนวนหุ้มเกิดกระแสไฟไหลผ่านได้ และส่งผลให้ผู้ปฏิบัติงานถูกไฟฟ้าช็อต
11. จัดให้สายไฟอยู่ในบริเวณที่ห่างจากอุปกรณ์ที่หมุน หากคุณสูญเสียการควบคุม สายไฟอาจจะถูกตัดหรือถูกดึงทำให้มือหรือแขนของคุณถูกดึงเข้าไปในอุปกรณ์ที่หมุนได้
12. อย่าวางเครื่องมือไฟฟ้าลงจนกว่าจะหยุดหมุนสนิท อุปกรณ์ที่กำลังหมุนอาจจะกระทบกับพื้นผิวและทำให้เครื่องมือไฟฟ้าหลุดมือคุณได้
13. อย่าเปิดเครื่องมือไฟฟ้าเมื่อถือไว้ข้างตัวคุณ เนื่องจากการสัมผัสกับอุปกรณ์ที่กำลังหมุนโดยไม่ตั้งใจนั้นอาจพันกับเสื้อผ้าของคุณและดึงอุปกรณ์เข้าสู่ร่างกายของคุณได้
14. โปรดทำความเข้าใจและระบายนายอากาศของเครื่องมือไฟฟ้าอย่างสม่ำเสมอ พัดลมของมอเตอร์จะดูดฝุ่นเข้าไปในตัวเครื่องและการมีผงโลหะในตัวเครื่องมากเกินไปอาจทำให้เกิดอันตรายจากกระแสไฟฟ้าได้
15. อย่าใช้เครื่องมือไฟฟ้าใกล้ๆ วัสดุที่ติดไฟได้ เนื่องจากประกายไฟอาจทำให้วัสดุดังกล่าวติดไฟ
16. อย่าใช้อุปกรณ์เสริมที่ต้องใช้ของเหลวเพื่อระบายความร้อน การใช้น้ำหรือของเหลวเพื่อระบายความร้อนอื่นๆ อาจทำให้เกิดไฟฟ้าดูดได้

คำเตือนเกี่ยวกับการติดกลับและสิ่งที่เกี่ยวข้อง

การติดกลับคือการตอบสนองโดยฉับพลันเมื่อเกิดการสะดุดหรือติดขัดของลูกกลิ้ง แผ่นหลัง แปรง หรืออุปกรณ์เสริมอื่นๆ ที่กำลังหมุน การสะดุดหรือการติดขัดจะทำให้อุปกรณ์ที่กำลังหมุนปัดหัวลงอย่างรวดเร็วซึ่งเป็นสาเหตุให้เครื่องมือไฟฟ้าที่ไม่สามารถควบคุมได้เกิดแรงสะท้อนกลับไปยังทิศทางตรงข้ามกับการหมุน ตัวอย่างเช่น หากลูกกลิ้งขั้วนั้นสะดุดหรือติดขัดกับชิ้นงาน ขอบของลูกกลิ้งที่เข้าไปยังจุดติดขัดจะเจาะเข้าไปยังพื้นผิวของวัสดุและทำให้ลูกกลิ้งตีตัวขึ้นมา ลูกกลิ้งดังกล่าวอาจจะกระเด็นเข้าหาหรือออกห่างตัวผู้ปฏิบัติงาน ทั้งนี้ขึ้นอยู่กับทิศทางการหมุนของลูกกลิ้งเมื่อเกิดการสะดุด ในกรณีดังกล่าว ลูกกลิ้งดังกล่าวจะแตกหักได้ด้วย การติดกลับเป็นผลมาจากการใช้เครื่องมือไฟฟ้าผิดจุดประสงค์ และ/หรือ การใช้ผิดวิธี และสามารถป้องกันได้โดยใช้วิธีการป้องกันดังต่อไปนี้

1. จับตามจับเครื่องมือไฟฟ้าให้แน่นและจัดตำแหน่งร่างกายและแขนให้สามารถต้านทานแรงติดกลับได้ ใช้มือจับเสริมเสมอ ถ้ามี เพื่อให้สามารถควบคุมการติดกลับหรือการสะท้อนของแรงบิดในระหว่างการเริ่มทำงานได้อย่างมีประสิทธิภาพ ผู้ปฏิบัติงานจะสามารถควบคุมแรงสะท้อนของแรงบิดหรือแรงบิดกลับได้หากดำเนินการป้องกันอย่างเหมาะสม
 2. อย่าเอามือไปใกล้อุปกรณ์หมุน อุปกรณ์ดังกล่าวอาจติดกลับใส่มือคุณได้
 3. อย่าอยู่ในบริเวณที่อาจจะโดนเครื่องมือหากมีการติดกลับเกิดขึ้น การติดกลับจะทำให้เครื่องมือสะบัดไปยังทิศทางตรงกันข้ามของการเคลื่อนไหวของลูกกลิ้งเมื่อเกิดการสะดุด
 4. ใช้ความระมัดระวังเป็นพิเศษเพื่อปฏิบัติงานกับมุมขอบที่มีความแหลมคม ขลุ่ย หลีกเลียงการกระแทกและการติดขัดของอุปกรณ์ มุม ขอบที่มีความแหลมคม หรือการกระแทกนั้นอาจทำให้เกิดการสะดุดของอุปกรณ์หมุนและทำให้เสียการควบคุมหรือการติดกลับได้
 5. อย่าติดตั้งใบมีดเลื่อนแบบไขว่หรือใบเลื่อยแบบซี่ ใบมีดแบบดังกล่าวมักจะทำให้เกิดการติดกลับและสูญเสียการควบคุม
- คำเตือนด้านความปลอดภัยพิเศษสำหรับการทำงานขัดและการตัดแบบขัด
1. ใช้แต่ลูกกลิ้งชนิดที่เครื่องมือไฟฟ้าของคุณกำหนดและอุปกรณ์นี้ป้องกันที่ออกแบบมาเพื่อลูกกลิ้งที่ใช้เท่านั้น ลูกกลิ้งที่ไม่ได้ออกแบบมาเพื่อใช้กับเครื่องมือไฟฟ้า จะไม่ได้รับการปกป้องอย่างมีประสิทธิภาพและเป็นอันตราย
 2. พื้นผิวขัดของใบเจียศูนย์คมจะต้องติดตั้งอยู่ด้านล่างของระนาบขอบที่ป้องกัน ล้อที่ติดตั้งอย่างไม่ถูกต้องซึ่งยื่นออกมาจากแนวระนาบของขอบที่ป้องกันจะไม่ได้รับการป้องกันที่เพียงพอ
 3. ที่ป้องกันจะต้องยึดไว้กับเครื่องมือไฟฟ้าอย่างแน่นหนาและวางไว้ในตำแหน่งที่มีความปลอดภัยสูงสุด เพื่อให้ส่วนล้อหันเข้าหาผู้ปฏิบัติงานน้อยที่สุด ที่ป้องกันจะช่วยในการป้องกันผู้ปฏิบัติงานจากเศษล่อนที่แตก การสัมผัสกับล้อโดยไม่ตั้งใจ และประกายไฟที่อาจทำให้เสื้อผ้าติดไฟ
 4. ต้องใช้งานล้อในลักษณะการใช้งานที่แนะนำเท่านั้น ตัวอย่างเช่น อย่าขัดด้วยด้านข้างของลูกกลิ้งตัด ลูกกลิ้งตัดแบบขัดใช้เพื่อขัดขอบวง แรงด้านข้างที่กระทำต่อลูกกลิ้งเหล่านี้จะทำให้ลูกกลิ้งแตกและเฉียดได้

- ใช้แต่แกนลูกล้อที่ไม่เสียหายและมีขนาดและรูปร่างตรงกับลูกล้อที่ใช้เท่านั้น แกนล้อที่ถูกต้องจะรองรับลูกล้อได้อย่างมีประสิทธิภาพจึงสามารถลดโอกาสในการเสียหายของลูกล้อได้ แกนสำหรับล้อตัดอาจแตกต่างกันจากแกนล้อข้อด
- อย่าใช้ล้อที่สึกหรือจากเครื่องมือไฟฟ้าที่มีขนาดใหญ่กว่า ล้อที่ใช้สำหรับเครื่องมือไฟฟ้าที่มีขนาดใหญ่กว่าไม่เหมาะกับเครื่องมือขนาดเล็กที่มีความเร็วสูงกว่าและอาจจะเบิดได้

คำเตือนด้านความปลอดภัยพิเศษเพิ่มเติมสำหรับการตัดแบบขั้ด:

- อย่าทำให้ลูกล้อตัด “ติด” หรือใช้แรงดันมากเกินไป อย่าพยายามทำความสะอาดในการตัดมากเกินไป การกดดันลูกล้อมากเกินไปจะเป็นการเพิ่มการไหลและความไวที่ลูกล้อจะเกิดการบิดหรือการติดขัดระหว่างการตัด และความเป็นไปได้ในการติดกลับหรือลูกล้อแตก
- อย่าให้ร่างกายของคุณอยู่ในระดับเดียวกันหรือด้านหลังลูกล้อที่กำลังหมุน เมื่อลูกล้อในตำแหน่งการใช้งานเคลื่อนออกจากร่างกายของคุณ การติดกลับอาจผลักดันให้ลูกล้อที่กำลังหมุนและเครื่องมือไฟฟ้าพุ่งตรงเข้าหาคุณ
- เมื่อลูกล้อติดขัดหรือรบกวนการตัดด้วยเหตุใดๆ ก็ตาม ให้ปิดเครื่องมือไฟฟ้าและถือเครื่องมือไฟฟ้าค้างไว้เฉยๆ จนกว่าลูกล้อจะหยุดสนิท ห้ามพยายามถอดลูกล้อตัดออกจากรอยตัดขณะที่ลูกล้อยังเคลื่อนไหว มิฉะนั้นอาจเกิดการติดกลับได้ ตรวจสอบและแก้ไขเพื่อกำจัดสาเหตุที่ทำให้ลูกล้อติดขัด
- อย่าเริ่มการตัดชิ้นใหม่โดยที่เครื่องมือคาอยู่ในชิ้นงาน ให้ลูกล้อทำความเร็วสูงสุดแล้วจึงสอดเข้าไปในรอยตัดอีกครั้งอย่าระมัดระวัง ลูกล้ออาจติดขัด เด้งหรือติดกลับได้หากเริ่มใช้เครื่องมือไฟฟ้าระหว่างที่ยังคาอยู่ในชิ้นงาน
- รองรับแผ่นหรือชิ้นงานขนาดใหญ่ต่างๆ เพื่อลดความเสี่ยงในการที่ลูกล้อจะบีบแน่นและติดกลับ ชิ้นงานที่มีขนาดใหญ่มีแนวโน้มที่จะแอ่นลงเนื่องจากน้ำหนักของแผ่นเอง ควรวางที่รองรับไว้ได้ชิ้นงานให้ใกล้กับขอบของชิ้นงานทั้งสองด้านของล้อ
- ใช้ความระมัดระวังเป็นพิเศษขณะทำการ “ตัดผ่าน” กำแพงที่มีอยู่แล้วหรือพื้นที่ที่มีอุปสรรคอื่น ๆ ล้อที่ยื่นออกมาอาจตัดทอก๊าซหรือท่อน้ำ สายไฟฟ้าหรือสิ่งของอื่นๆ ที่อาจทำให้เกิดการติดกลับได้

คำเตือนด้านความปลอดภัยสำหรับการทำงานขั้ด:

- อย่าใช้แผ่นกระตาศทรายที่มีขนาดใหญ่เกินไป ปฏิบัติตามคำแนะนำของผู้ผลิตเมื่อเลือกกระตาศทราย กระตาศทรายที่ใหญ่เกินไปอาจจะยื่นออกมาเกินแผ่นขั้ดและจะทำให้เกิดการฝักขาคด เป็นสาเหตุของการสะดุดจวนขั้ด หรือการติดกลับได้

คำเตือนด้านความปลอดภัยสำหรับการใช้แปรงลวดขั้ด:

- โปรดระวังเส้นลวดหลุดออกมาจากแปรงระหว่างการทำงานปกติ อย่ากดดันเส้นลวดมากเกินไปด้วยการใส่โหลดที่แปรงมากเกินไป เส้นลวดสามารถทะลุเสื้อผ้าบางๆ และ/หรือผิวหนังได้อย่างง่ายดาย
- หากจำเป็นต้องใช้ที่ป้องกันสำหรับขั้ดด้วยแปรงลวด อย่าให้ลวดหรือแปรงลวดแทรกเข้าไปในที่ป้องกัน ลวดลวดหรือแปรงลวดอาจมีเส้นผ่านศูนย์กลางที่ขยายใหญ่ขึ้นเนื่องจากโหลดการทำงานและแรงหนีศูนย์กลาง

คำเตือนด้านความปลอดภัยเพิ่มเติม:

- เมื่อใช้ใบเจียศูนย์กลาง ตรวจสอบให้แน่ใจว่าคุณใช้ล้อที่เสริมแรงด้วยใยแก้วเท่านั้น
- ห้ามใช้ล้อประเภทถ้วยหินกับเครื่องขั้ดชนิดนี้เด็ดขาคด เครื่องขั้ดชนิดนี้ไม่ได้ถูกออกแบบมาสำหรับล้อประเภทเหล่านี้ และการใช้ผลิตภัณฑ์ดังกล่าวอาจทำให้เกิดการบาดเจ็บร้ายแรงได้
- ระวังอย่าให้แกน (โดยเฉพาะอย่างยิ่งการติดตั้ง) หรือเนื้อเสียหาย การที่ส่วนต่างๆ เหล่านี้เสียหายอาจเป็นสาเหตุให้ลูกล้อเสียหายได้
- ตรวจสอบให้แน่ใจว่าลูกล้อนั้นไม่ได้สัมผัสกับชิ้นงานก่อนที่จะเปิดสวิตซ์
- ก่อนที่จะใช้เครื่องมือบนชิ้นงานจริง ปลอ่ยให้เครื่องมือทำงานเปล่าๆ สักครู่ ดูการสั่นสะเทือนหรือโยกโคลงที่อาจแสดงถึงการใส่และการให้สมดุลลูกล้อที่ไม่ดีพอ
- ใช้พื้นผิววงล้อที่ระบุในการขั้ด
- อย่าปลอ่ยให้เครื่องมือทำงานค้างไว้ ใช้งานเครื่องมือในขณะที่ถืออยู่เท่านั้น
- ห้ามสัมผัสกับชิ้นงานทันทีที่ทำงานเสร็จ เนื่องจากชิ้นงานอาจมีความร้อนสูงและลวกผิวหนังของคุณได้
- ปฏิบัติตามคำแนะนำของผู้ผลิตในการติดตั้งและการใช้ลูกล้อ ใช้งานและจัดเก็บลูกล้อด้วยความระมัดระวัง
- อย่าใช้แปรงหรือตัวแปลงแบบแยกเพื่อแปลงรูล้อขั้ดขนาดใหญ่
- ใช้แต่แกนสำหรับเครื่องมือนี้เท่านั้น
- สำหรับเครื่องมือที่ใช้สำหรับติดตั้งกับล้อเรียบ ให้ตรวจสอบให้แน่ใจว่ารูในล้อยาวพอที่จะรับความยาวของแกนได้

13. ตรวจสอบว่าชิ้นงานมีสิ่งรองรับหรือค้ำยันที่มั่นคง
14. พึงระลึกไว้เสมอว่าลูกกลิ้งจะยังคงหมุนต่อไปแม้ว่าจะปิดเครื่องมือแล้วก็ตาม
15. หากสถานที่ปฏิบัติงานนั้นร้อนและชื้นมาก หรือมีฝุ่นมาก ให้ใช้เบรกเกอร์ป้องกันการลัดวงจร (30 mA) เพื่อการใช้งานอย่างปลอดภัย
16. อย่าใช้เครื่องมือกับวัสดุที่มีรอยร้าว
17. เมื่อใช้ลัดตัด ให้ใช้ที่ป้องกันลัดเก็บฝุ่นตามที่กำหนด โดยข้อบังคับในประเทศ
18. งานตัดต้องไม่ได้รับแรงดันใดๆ ทั้งสิ้นจากด้านข้าง
19. อย่าใช้เครื่องมือทำงานแบบผ່าระหว่างการทำงาน เส้นใยจากถุงมือผ้าอาจเข้าไปในเครื่องมือ ซึ่งจะทำให้เครื่องมือเสียหายได้

ปฏิบัติตามคำแนะนำเหล่านี้

คำเตือน: อย่าให้ความไม่ระมัดระวังหรือความคุ้นเคยกับผลิตภัณฑ์ (จากการใช้งานซ้ำหลายครั้ง) อยู่เหนือการปฏิบัติตามกฎเกณฑ์ด้านความปลอดภัยในการใช้งาน ผลิตภัณฑ์อย่างเคร่งครัด การใช้งานอย่างไม่เหมาะสมหรือการไม่ปฏิบัติตามกฎเกณฑ์ด้านความปลอดภัยในคู่มือการใช้งานนี้อาจทำให้ได้รับบาดเจ็บร้ายแรง

คำอธิบายการทำงาน

ข้อควรระวัง: ตรวจสอบให้แน่ใจว่าได้ปิดสวิตช์เครื่องมือและถอดปลั๊กออกก่อนปรับตั้งหรือตรวจสอบการทำงานของเครื่องมือ

ข้อควรระวัง: ปรับสวิตช์สั่งงานให้อยู่ที่ตำแหน่ง OFF เมื่อมีการถอดปลั๊กกะทันหัน ไฟดับ หรือไฟตัดโดยไม่ได้ตั้งใจ มิฉะนั้น เครื่องมืออาจเริ่มทำงานทันทีเมื่อมีไฟฟ้าและอาจทำให้ได้รับบาดเจ็บได้

ล๊อคก้าน

กตที่ล๊อคก้านเพื่อป้องกันไม่ให้ก้านหมุนเมื่อติดตั้งหรือถอดอุปกรณ์เสริม

► **หมายเลข 1:** 1. ล๊อคก้าน

ข้อสังเกต: ห้ามดันที่ล๊อคก้านขณะที่แกนกำลังขยับ เครื่องมืออาจเสียหายได้

การทำงานของสวิตช์

ข้อควรระวัง: ก่อนเสียบปลั๊กเครื่องมือ ให้ตรวจสอบว่าสวิตช์สั่งงานสามารถทำงานได้อย่างถูกต้อง และกลับไปยังตำแหน่ง "OFF" เมื่อปล่อย

► **หมายเลข 2:** 1. สวิตช์สั่งงาน 2. ก้านล๊อค

สำหรับเครื่องมือที่มีล๊อคสวิตช์

ข้อควรระวัง: สวิตช์สามารถล๊อคในตำแหน่ง "ON" เพื่อช่วยให้สะดวกในการใช้งานอย่างต่อเนื่อง ใช้ความระมัดระวังเมื่อล๊อคสวิตช์เครื่องมือในตำแหน่ง "ON" และจับเครื่องมือให้แน่นตลอดเวลา

เปิดใช้เครื่องมือโดยดึงสวิตช์สั่งงาน (ในทิศทาง B) ปล่อยสวิตช์สั่งงานเพื่อหยุดทำงาน

ถ้าต้องการใช้งานอย่างต่อเนื่อง ดึงสวิตช์สั่งงาน (ในทิศทาง B) และกดก้านล๊อค (ในทิศทาง A)

เมื่อต้องการหยุดเครื่องมือจากตำแหน่งล๊อค ให้ดึงสวิตช์สั่งงานจนสุด (ในทิศทาง B) แล้วปล่อยสวิตช์

สำหรับเครื่องมือที่มีล๊อคการทำงานสวิตช์

เพื่อป้องกันไม่ให้สวิตช์สั่งงานถูกดึงโดยไม่ได้ตั้งใจมีก้านล๊อคติดตั้งไว้

เพื่อเริ่มใช้งานเครื่องมือ ให้กดก้านล๊อค (ในทิศทาง A) แล้วดึงสวิตช์สั่งงาน (ในทิศทาง B) ปล่อยสวิตช์สั่งงานเพื่อหยุดทำงาน

ข้อสังเกต: อย่าดึงสวิตช์สั่งงานแรงๆ โดยไม่ได้กดปุ่มปลดล๊อค การทำเช่นนี้อาจทำให้สวิตช์เสียหายได้

สำหรับเครื่องมือที่มีล๊อคสวิตช์และล๊อคการทำงานสวิตช์

ข้อควรระวัง: สวิตช์สามารถล๊อคในตำแหน่ง "ON" เพื่อช่วยให้สะดวกในการใช้งานอย่างต่อเนื่อง ใช้ความระมัดระวังเมื่อล๊อคสวิตช์เครื่องมือในตำแหน่ง "ON" และจับเครื่องมือให้แน่นตลอดเวลา

เพื่อป้องกันไม่ให้สวิตช์สั่งงานถูกดึงโดยไม่ได้ตั้งใจมีก้านล๊อคติดตั้งไว้

เพื่อเริ่มใช้งานเครื่องมือ ให้กดก้านล๊อค (ในทิศทาง A) แล้วดึงสวิตช์สั่งงาน (ในทิศทาง B) ปล่อยสวิตช์สั่งงานเพื่อหยุดทำงาน

ถ้าต้องการใช้งานอย่างต่อเนื่อง ให้กดก้านล๊อค (ในทิศทาง A) ดึงสวิตช์สั่งงาน (ในทิศทาง B) และดึงก้านล๊อค (ในทิศทาง C)

เมื่อต้องการหยุดเครื่องมือจากตำแหน่งล๊อค ให้ดึงสวิตช์สั่งงานจนสุด (ในทิศทาง B) แล้วปล่อยสวิตช์

ข้อสังเกต: อย่าดึงสวิตช์สั่งงานแรงๆ โดยไม่ได้กดปุ่มปลดล็อค การทำเช่นนี้อาจทำให้สวิตช์เสียหายได้

ไฟแสดงสถานะ

สำหรับรุ่น GA7061R / GA9061R เท่านั้น

► หมายเลข 3: 1. ไฟแสดงสถานะ

ไฟแสดงสถานะสีเขียวจะสว่างขึ้นเมื่อเสียบปลั๊กเครื่องมือ ถ้าไฟแสดงสถานะไม่สว่างขึ้น แสดงว่าสายไฟหลักหรือตัวควบคุมอาจเสีย

การที่ไฟแสดงสถานะติดแต่เครื่องมือไม่เริ่มทำงานแม้จะเปิดสวิตช์ก็ตามแสดงว่าแปรงคาร์บอนอาจจะเสีย หรือตัวควบคุม มอเตอร์ และสวิตช์เปิด/ปิดอาจเสีย

ระบบป้องกันการเริ่มทำงานใหม่โดยไม่ตั้งใจ

เครื่องมือจะไม่เริ่มทำงานหากสวิตช์อยู่ในตำแหน่งล็อค แม้ว่าเครื่องมือจะเสียบปลั๊กอยู่

ในช่วงเวลาดังกล่าว ไฟแสดงสถานะจะกระพริบเป็นสีแดง เพื่อแสดงว่าระบบป้องกันการเริ่มทำงานใหม่โดยไม่ตั้งใจ กำลังทำงาน

การยกเลิกระบบป้องกันการเริ่มทำงานใหม่โดยไม่ตั้งใจ ให้ ดึงสวิตช์ไฟกลับไปตำแหน่ง OFF

หมายเหตุ: รอสักครู่แล้วจึงเริ่มทำงานเครื่องมือใหม่เมื่อระบบป้องกันการเริ่มทำงานใหม่โดยไม่ตั้งใจทำงานแล้ว

คุณสมบัติของฟอสตาร์ท

คุณสมบัติของฟอสตาร์ทจะช่วยลดปฏิกิริยาในการสตาร์ทให้น้อยลง

การประกอบ

▲ ข้อควรระวัง: ตรวจสอบให้แน่ใจว่าได้ปิดสวิตช์เครื่องมือและถอดปลั๊กออกก่อนดำเนินงานใดๆ กับเครื่องมือ

การติดตั้งตามจับด้านข้าง (มือจับ)

▲ ข้อควรระวัง: ตรวจสอบให้แน่ใจทุกครั้งว่าตามจับด้านข้างติดตั้งอยู่อย่างมั่นคงก่อนที่จะทำงาน

ขันตามจับด้านข้างให้แน่นในตำแหน่งของเครื่องมือตามที่แสดงในภาพ

► หมายเลข 4

การติดตั้งหรือถอดที่ป้องกันล้อ (สำหรับใบเจียศูนย์จัม งานทรายซ้อน ใบเจียแบบยึดหยุ่น แปรงลวดกลม/ล้อตัดแบบขัด ลูกล้อเพชร)

▲ คำเตือน: เมื่อใช้ใบเจียศูนย์จัม งานทรายซ้อน ใบเจียแบบยึดหยุ่น หรือแปรงลวดกลม ต้องติดตั้งที่ป้องกันใบบนเครื่องมือเพื่อให้ในด้านที่ปิดของที่ป้องกันเข้าผู้ปฏิบัติงานเสมอ

▲ คำเตือน: เมื่อใช้งานล้อตัดแบบขัด/ลูกล้อเพชร ตรวจสอบให้แน่ใจว่าใช้ที่ป้องกันพิเศษที่ออกแบบมาเพื่อใช้งานกับล้อตัดเท่านั้น

(ในบางประเทศในยุโรป สามารถใช้ที่ป้องกันทั่วไปได้เมื่อใช้งานลูกล้อเพชร โปรดปฏิบัติตามข้อบังคับในประเทศของคุณ)

สำหรับเครื่องมือที่มีที่ป้องกันล้อประเภทสกรูล็อค

ติดตั้งที่ป้องกันล้อโดยให้ส่วนที่ยื่นออกมาจากฝาครอบใบเจียตรงกับเครื่องหมายบนกล่องดัลบูลูกปืน จากนั้นให้หมุนที่ป้องกันล้อให้อยู่ในองศาที่สามารถป้องกันผู้ปฏิบัติงานในการทำงานได้ ตรวจสอบให้แน่ใจว่าได้ขันสลักเกลียวให้แน่นเมื่อต้องการถอดที่ป้องกันล้อ ให้ปฏิบัติย้อนขั้นตอนการติดตั้ง

► หมายเลข 5: 1. ที่ป้องกันล้อ 2. กล่องดัลบูลูกปืน 3. สกรู

สำหรับเครื่องมือที่มีที่ป้องกันล้อประเภทคานยึด

คลายสกรู แล้วดึงคานในทิศทางตามลูกศร ติดตั้งที่ป้องกันล้อโดยให้ส่วนที่ยื่นออกมาจากฝาครอบใบเจียตรงกับเครื่องหมายบนกล่องดัลบูลูกปืน จากนั้นให้หมุนที่ป้องกันล้อให้อยู่ในองศาที่สามารถป้องกันผู้ปฏิบัติงานในการทำงานได้

► หมายเลข 6: 1. ที่ป้องกันล้อ 2. กล่องดัลบูลูกปืน 3. สกรู 4. ก้าน

ดึงคานในทิศทางตามลูกศร แล้วขันที่ป้องกันล้อให้แน่นโดยขันสกรู ตรวจสอบว่าได้ขันสลักเกลียวให้แน่นแล้ว มุมการติดตั้งที่ป้องกันล้อสามารถปรับได้ด้วยคาน

► หมายเลข 7: 1. สกรู 2. ก้าน

เมื่อต้องการถอดที่ป้องกันล้อ ให้ปฏิบัติย้อนขั้นตอนการติดตั้ง

การติดตั้งหรือการถอดไปเจียศูนย์จุมหรือจาน ทรายซ้อน

อุปกรณ์เสริม

คำเตือน: เมื่อใช้ไปเจียศูนย์จุมหรือจานทรายซ้อน ต้องติดตั้งที่ป้องกันใบบนเครื่องมือเพื่อให้ด้านที่ปิดของที่ป้องกันซี่เข้าหาผู้ปฏิบัติงานเสมอ

ข้อควรระวัง: ตรวจสอบว่าส่วนที่ยึดของแกนตัวในยึดเข้าไปในเส้นผ่านศูนย์กลางของไปเจียศูนย์จุม/จานทรายซ้อนพอดี การติดตั้งแกนตัวในผิดด้านอาจทำให้เกิดการสั่นสะเทือนที่เป็นอันตรายได้

ติดตั้งแกนตัวในเข้ากับแกนหมุน

ตรวจสอบว่ายึดส่วนที่เป็นรอยเข้าของแกนตัวในเข้ากับส่วนที่เป็นแท่งตรงของฐานแกนหมุน ติดตั้งไปเจีย/จานเจียเข้ากับแกนตัวในแล้วขันน็อตล็อกโดยให้ส่วนที่ยื่นออกมาคว่ำหน้า (หันหน้าเข้าหาไปเจีย)

▶ **หมายเลข 8:** 1. น็อตล็อก 2. ไปเจียศูนย์จุม 3. แกนตัวใน 4. ส่วนที่ยึด

วิธีการขันแน่นน็อตล็อก ให้กดที่ล็อกก้านให้แน่นเพื่อให้แกนหมุนไม่หมุน แล้วใช้ประแจขันน็อตล็อกขึ้นตามเข็มนาฬิกาให้แน่น

▶ **หมายเลข 9:** 1. ประแจขันน็อตล็อก 2. ล็อกก้าน
เมื่อต้องการถอดล้อ ให้ปฏิบัติย้อนขั้นตอนการติดตั้ง

การติดตั้งหรือการถอดไปเจียแบบยึดหยุ่

อุปกรณ์เสริม

คำเตือน: ใช้ที่ป้องกันที่ให้มีเสมอเมื่อไปเจียบนเครื่องมือ ล้อสามารถแตกและเด้งได้ในระหว่างการใช้งาน และที่ป้องกันจะช่วยลดโอกาสในการเกิดการบาดเจ็บได้

▶ **หมายเลข 10:** 1. น็อตล็อก 2. ไปเจียแบบยึดหยุ่ 3. แผ่นรอง 4. แกนตัวใน

ปฏิบัติตามคำแนะนำสำหรับไปเจียศูนย์จุม แต่ให้ใช้แผ่นรองเหนือไปเจียด้วย ดูลำดับการประกอบในหน้าอุปกรณ์เสริมของคู่มือฉบับนี้

แกนชูเปอร์

อุปกรณ์เสริม

สำหรับเครื่องมือที่มีแกนเสียบ M14 เท่านั้น

รุ่นที่มีตัว F จะมีแกนชูเปอร์ติดตั้งมาเป็นมาตรฐาน ใช้แรงเพียง 1/3 ในการคลายน็อตล็อก เมื่อเทียบกับประเภททั่วไป

การติดตั้งหรือถอดอีซีซีในถอด

อุปกรณ์เสริม

สำหรับเครื่องมือที่มีแกนเสียบ M14 เท่านั้น

ข้อควรระวัง: อย่าใช้อีซีซีกับแกนชูเปอร์หรือเครื่องขัดมุมรุ่นที่มีตัว "F" ที่ด้านท้ายของหมายเลขรุ่น เนื่องจากแกนชูเปอร์มีความแข็งแรงเกินไปซึ่งจะทำให้แกนหมุนไม่สามารถยึดติดกับกันได้

ติดตั้งแกนตัวใน วงล้อขัด และอีซีซีบนแกนหมุนเพื่อให้ได้ Makita บนอีซีซีหันออกด้านนอก

▶ **หมายเลข 11:** 1. อีซีซี 2. วงล้อขัด 3. แกนตัวใน 4. แกนหมุน

กดล็อกก้านให้แน่นและขันอีซีซีโดยการหมุนวงล้อขัดตามเข็มนาฬิกาจนสุด

▶ **หมายเลข 12:** 1. ล็อกก้าน

การคลายอีซีซีน็อต ให้หมุนวงแหวนด้านนอกของอีซีซีนอตทวนเข็มนาฬิกา

หมายเหตุ: สามารถคลายอีซีซีน็อตได้ด้วยมือตราบเท้าที่ลูกศรชี้ไปที่รอยบาก ไม่เช่นนั้น ก็อาจจำเป็นต้องใช้ประแจขันน็อตล็อกเพื่อช่วยคลาย สอดขาของประแจเข้ากับช่องและหมุนอีซีซีนอตทวนเข็มนาฬิกา

▶ **หมายเลข 13:** 1. ลูกศร 2. รอยบาก

▶ **หมายเลข 14**

การติดตั้งหรือถอดจานขัด

อุปกรณ์เสริม

▶ **หมายเลข 15:** 1. น็อตล็อกขัดกระดาษทราย 2. จานขัด 3. แผ่นยาง

1. ติดตั้งแผ่นยางเข้ากับแกนหมุน

2. ติดตั้งจานเข้ากับแผ่นยางแล้วขันน็อตล็อกขัดกระดาษทรายเข้ากับแกนหมุน

3. ยึดแกนหมุนด้วยที่ล็อกก้านและขันน็อตล็อกขัดกระดาษทรายให้แน่นตามเข็มนาฬิกาด้วยประแจขันน็อตล็อก

เมื่อต้องการถอดจาน ให้ปฏิบัติย้อนขั้นตอนการติดตั้ง

หมายเหตุ: ใช้แต่อุปกรณ์ขัดที่ระบุคู่มือการใช้งานฉบับนี้เท่านั้น ซึ่งจะต้องซื้อแยกต่างหาก

การติดตั้งหรือถอดมือจับแบบห้วง

อุปกรณ์เสริม

⚠ ข้อควรระวัง: ตรวจสอบให้แน่ใจว่าสลักเกลียวบนมือจับแบบห้วงถูกยึดอย่างแน่นหนาก่อนการใช้งาน

⚠ ข้อควรระวัง: จับบริเวณด้ามจับของมือจับแบบห้วงตามภาพ นอกจากนี้ ให้รักษาระยะห่างของมือจากชิ้นส่วนโลหะของเครื่องขัดระหว่างการใช้งาน การสัมผัสชิ้นส่วนโลหะอาจทำให้ถูกไฟฟ้าช็อตได้ หากอุปกรณ์ต่อพ่วงการตัดตัดโดนสายไฟที่มีไฟฟ้าไหลผ่านโดยไม่ตั้งใจ

- ▶ **หมายเลข 16:** 1. มือจับแบบห้วง 2. สลักเกลียว
3. บริเวณด้ามจับ

มือจับแบบห้วงอาจสะดวกกว่าด้ามจับด้านข้างสำหรับการใช้งานบางประเภท การติดตั้งมือจับแบบห้วง ให้ใส่มือจับไว้บนเครื่องมือตามภาพ แล้วขันสลักเกลียวสองตัวเพื่อยึดการถอดมือจับแบบห้วง ให้ปฏิบัติตามขั้นตอนการติดตั้งแบบย้อนกลับ

การใช้งาน

⚠ คำเตือน: คุณไม่จำเป็นต้องออกแรงกดเครื่องมือ น้ำหนักของเครื่องมือจะก่อให้เกิดแรงกดที่เหมาะสม การฝืนและแรงกดที่มากเกินไปอาจทำให้ใบเจียเสียหายและเป็นอันตรายได้

⚠ คำเตือน: เปลี่ยนใบเจียเสมอถ้าทำเครื่องมือตกระหว่างขัด

⚠ คำเตือน: ห้ามทุบหรือตีงานขัดหรือใบเจียใส่ชิ้นงาน

⚠ คำเตือน: หลีกเลี่ยงการกระดอนและการทำใบเจียติดขัด โดยเฉพาะขณะทำงานที่มุม ขอบมีคม และอื่นๆ ซึ่งอาจทำให้สูญเสียการควบคุมและเกิดการติดกลับได้

⚠ คำเตือน: อย่าใช้เครื่องมือกับไม้ตัดต้นไม้และใบเลื่อยชนิดอื่นๆ เมื่อใช้ใบมีดชนิดดังกล่าวกับเครื่องขัดมักจะทำให้เกิดการติดกลับบ่อยๆ และเป็นสาเหตุให้สูญเสียการควบคุมและการบาดเจ็บของบุคคลได้

⚠ ข้อควรระวัง: อย่าเปิดเครื่องมือในขณะที่สัมผัสกับชิ้นงาน เนื่องจากอาจทำให้ผู้ปฏิบัติงานบาดเจ็บได้

⚠ ข้อควรระวัง: สวมแว่นตานิรภัยหรือหน้ากากป้องกันใบหน้าเสมอเมื่อปฏิบัติงาน

⚠ ข้อควรระวัง: หลังจากปฏิบัติงาน ให้ปิดเครื่องมือเสมอและรอจนกว่าใบเจียจะหยุดสนิท แล้วจึงวางเครื่องมือลง

⚠ ข้อควรระวัง: ใช้มือข้างหนึ่งถือเครื่องมือให้แน่นที่ตัวเครื่องและมืออีกข้างจับที่ด้ามจับ (มือจับ) ด้านข้างเสมอ

การขัดและการขัดด้วยกระดาษทราย

- ▶ **หมายเลข 17**

เปิดเครื่องมือแล้วใช้ใบเจียหรือจานขัดกับชิ้นงาน โดยทั่วๆ ไป ควรให้ขอบใบเจียหรือจานขัดให้ทำมุมกับชิ้นงานประมาณ 15°

ระหว่างช่วงเบรกอินกับใบเจียใหม่ อย่ายึดเครื่องมือขัดไปข้างหน้า มิฉะนั้นเครื่องขัดจะตัดเข้าไปในชิ้นงาน เมื่อขอบของใบเจียมนเนื่องจากการใช้งานแล้ว ใบเจียสามารถใช้งานได้ทั้งในทิศทางเดินหน้าและถอยหลัง

การใช้งานกับล้อยัตตแบบขั้ว/ลูกล้อเพชร

อุปกรณ์เสริม

คำเตือน: เมื่อใช้งานล้อยัตตแบบขั้ว/ลูกล้อเพชร ตรวจสอบให้แน่ใจว่าใช้ที่ป้องกันล้อยเพชรที่ออกแบบมาเพื่อใช้งานกับล้อยัตตเท่านั้น

(ในบางประเทศในยุโรป สามารถใช้ที่ป้องกันทั่วไปได้เมื่อใช้งานลูกล้อเพชร โปรดปฏิบัติตามข้อบังคับในประเทศของคุณ)

คำเตือน: ห้ามใช้ล้อยัตตแบบขั้วในการขีดด้านข้าง

คำเตือน: อย่าทำให้ลูกล้อ “ติด” หรือใช้แรงดันมากเกินไป อย่าพยายามทำความสะอาดโดยการตัดมากเกินไป จะเป็นการเพิ่มการโหลดและความไวที่ลูกล้อจะเกิดการบิดหรือการบิดขั้วระหว่างการตัด และอาจเกิดการติดกลับหรือลูกล้อแตก และมอเตอร์ร้อนเกินไป

คำเตือน: อย่าเริ่มการตัดโดยที่เครื่องมือคาวอยู่ในชิ้นงาน ปลดปล่อยให้ใบเจียทำความเร็วสูงสุดและสอดเข้าไปในรอยตัดอย่างระมัดระวัง โดยขยับเครื่องมือไปข้างหน้าบนพื้นผิวชิ้นงาน ลูกล้ออาจติดขัด ดึงหรือตีกลับได้หากเริ่มใช้เครื่องมือไฟฟ้าระหว่างที่ยังคาวอยู่ในชิ้นงาน

คำเตือน: ระหว่างการตัด ห้ามเปลี่ยนมุมของใบเจีย การใช้แรงดันด้านข้างกับล้อยัตต (เช่นเดียวกับในการขีด) จะทำให้ใบเจียเกิดรอยร้าวและแตก ทำให้เกิดการบาดเจ็บร้ายแรงได้

คำเตือน: ลูกล้อเพชรจะต้องทำงานแบบตั้งฉากกับวัสดุที่จะตัด

ติดตั้งแกนตัวในเข้ากับแกนหมุน

ติดตั้งใบเจีย/จานเจียเข้ากับแกนตัวในแล้วขันน็อตล็อกเข้ากับแกนหมุน

► **หมายเลข 18:** 1. น็อตล็อก 2. ล้อยัตตแบบขั้ว/ลูกล้อเพชร 3. แกนตัวใน 4. ที่ป้องกันล้อย สำหรับล้อยัตตแบบขั้ว/ลูกล้อเพชร

สำหรับออสตราเลียและนิวซีแลนด์

► **หมายเลข 19:** 1. น็อตล็อก 2. แกนตัวนอก 78 3. ล้อยัตตแบบขั้ว/ลูกล้อเพชร 4. แกนตัวใน 78 5. ที่ป้องกันล้อยสำหรับล้อยัตตแบบขั้ว/ลูกล้อเพชร

การทำงานกับแปรงลวดถั่ว

อุปกรณ์เสริม

คำเตือน: ตรวจสอบการทำงานของการแปรงโดยเปิดเครื่องมือให้หมุนเปล่า ตรวจสอบว่าไม่มีใครอยู่ข้างหน้าหรืออยู่ในแนวเดียวกับแปรง

คำเตือน: อย่าใช้แปรงที่เสียหาย หรือไม่สมดุล การใช้แปรงที่เสียหายอาจเป็นการเพิ่มความเสี่ยงที่จะได้รับบาดเจ็บจากการสัมผัสกับลวดแปรงที่หัก

► **หมายเลข 20:** 1. แปรงลวดถั่ว

ถอดปลั๊กเครื่องมือและวางหงายไว้เพื่อให้สามารถเข้าถึงแกนหมุนได้ง่าย

ถอดอุปกรณ์เสริมใดๆ บนแกนหมุนออก เลียบแปรงลวดถั่วลงบนแกนหมุนและขันด้วยประแจที่ให้มา

ข้อสังเกต: หลีกเลี่ยงการใช้แรงดันมากเกินไปซึ่งจะทำให้ลวดงอมากเกินไประยะใช้แปรง และอาจทำให้อุปกรณ์เสียหายก่อนเวลาอันควร

การทำงานกับแปรงลวดกลม

อุปกรณ์เสริม

คำเตือน: ตรวจสอบการทำงานของการแปรงลวดกลมโดยเปิดเครื่องมือให้หมุนเปล่า ตรวจสอบว่าไม่มีใครอยู่ข้างหน้าหรืออยู่ในแนวเดียวกับแปรงลวดกลม

คำเตือน: อย่าใช้แปรงลวดกลมที่เสียหาย หรือไม่สมดุล การใช้แปรงลวดกลมที่เสียหายอาจเป็นการเพิ่มความเสี่ยงที่จะได้รับบาดเจ็บจากการสัมผัสกับลวดที่หัก

คำเตือน: ใช้ที่ป้องกันกับแปรงลวดกลมเสมอ โดยตรวจสอบให้เส้นผ่านศูนย์กลางของล้อยสามารถใส่ไว้ด้านในที่ป้องกันได้พอดี ล้อยสามารถแตกละเอียดได้ในระหว่างการใช้งาน และที่ป้องกันจะช่วยลดโอกาสในการเกิดการบาดเจ็บได้

► **หมายเลข 21:** 1. แปรงลวดกลม

ถอดปลั๊กเครื่องมือและวางหงายไว้เพื่อให้สามารถเข้าถึงแกนหมุนได้ง่าย

ถอดอุปกรณ์เสริมใดๆ บนแกนหมุนออก เลียบแปรงลวดกลมลงบนแกนหมุนและขันด้วยประแจ

ข้อสังเกต: หลีกเลี่ยงการใช้แรงดันมากเกินไปซึ่งจะทำให้ลวดงอมากเกินไประยะใช้แปรงลวดกลม และอาจทำให้อุปกรณ์เสียหายก่อนเวลาอันควร

การบำรุงรักษา

⚠ ข้อควรระวัง: ตรวจสอบให้แน่ใจว่าได้ปิดสวิตช์เครื่องมือและถอดปลั๊กออกก่อนทำการตรวจสอบหรือบำรุงรักษา

ข้อสังเกต: อย่าใช้น้ำมันเชื้อเพลิง เบนซิน ทินเนอร์ แอลกอฮอล์ หรือวัสดุประเภทเดียวกัน เนื่องจากอาจทำให้สีซีดจาง เสียรูป หรือแตกร้าวได้

การทำความสะอาดด้วยการระบายอากาศ

เครื่องมือและช่องระบายอากาศของเครื่องมือต้องสะอาดอยู่เสมอ ทำความสะอาดช่องระบายอากาศของเครื่องมือให้เป็นประจำหรือเมื่อใดก็ตามที่ช่องระบายอากาศเริ่มถูกปิดกั้น

► **หมายเลข 22:** 1. การระบายไอเสีย 2. การดูดลม

หมายเหตุ: อย่าคลายสกรูบนฝาครอบป้ายชื่อ มิฉะนั้นฝาครอบอาจเปิดออกโดยไม่ได้ตั้งใจ

► **หมายเลข 23:** 1. สกรู

เพื่อความปลอดภัยและนำเชื้อถือของผลิตภัณฑ์ ควรให้ศูนย์บริการหรือโรงงานที่ผ่านการรับรองจาก Makita เป็นผู้ดำเนินการซ่อมแซม บำรุงรักษาและทำการปรับตั้งอื่นๆ นอกจากนี้ให้ใช้อะไหล่ของแท้จาก Makita เสมอ

อุปกรณ์เสริม

⚠️ ข้อควรระวัง: ขอแนะนำให้ใช้เฉพาะอุปกรณ์เสริมหรืออุปกรณ์ต่อพ่วงเหล่านี้กับเครื่องมือ Makita ที่ระบุในคู่มือ การใช้อุปกรณ์เสริมหรืออุปกรณ์ต่อพ่วงอื่นๆ อาจมีความเสี่ยงที่จะได้รับบาดเจ็บ ใช้อุปกรณ์เสริมหรืออุปกรณ์ต่อพ่วงตามวัตถุประสงค์ที่ระบุไว้เท่านั้น

หากต้องการทราบรายละเอียดเพิ่มเติมเกี่ยวกับอุปกรณ์เสริมเหล่านี้ โปรดสอบถามศูนย์บริการ Makita ใกล้บ้านคุณ

► หมายเลข 24

1	ด้ามจับด้านข้าง / มือจับแบบพวง
2	ที่ป้องกันล้อสำหรับใบเจียศูนย์จคม/จานทรายซ้อน/แปรงลวดกลม
3	แกนตัวใน/แกนซูเปอร์ *1*2
4	ใบเจียศูนย์จคม/จานทรายซ้อน
5	น็อตล็อก/น็อต Ezynut *1*2
6	ที่ป้องกันล้อสำหรับล้อตัดแบบขัด/ลูกล้อเพชร *3
7	แกนตัวใน 78 (สำหรับออสเตรเลียและนิวซีแลนด์เท่านั้น) *4
8	ล้อตัดแบบขัด/ลูกล้อเพชร
9	แกนตัวนอก 78 (สำหรับออสเตรเลียและนิวซีแลนด์เท่านั้น) *4
10	แผ่นยาง
11	จานขัด
12	น็อตล็อกขัดกระดาษทราย
13	แปรงลวดกลม
14	แปรงลวดถ้วย
-	ประแจขันน็อตล็อก
-	ที่ต่อฝาครอบกันฝุ่น

หมายเหตุ: *1 สำหรับเครื่องมือที่มีแกนเสียบ M14 เท่านั้น

หมายเหตุ: *2 อย่าใช้แกนซูเปอร์กับน็อต Ezynut ด้วยกัน

หมายเหตุ: *3 ในประเทศยุโรปบางประเทศ สามารถใช้ที่ป้องกันทั่วไปแทนที่ป้องกันพิเศษที่ครอบคลุมล้อทั้งสองด้านได้เมื่อใช้งานลูกล้อเพชร โปรดปฏิบัติตามข้อบังคับในประเทศของคุณ

หมายเหตุ: *4 ใช้แกนตัวใน 78 และแกนตัวนอก 78 ด้วยกัน (สำหรับออสเตรเลียและนิวซีแลนด์เท่านั้น)

หมายเหตุ: อุปกรณ์บางรายการอาจจะรวมอยู่ในชุดเครื่องมือเป็นอุปกรณ์มาตรฐาน ซึ่งอาจแตกต่างกันไปในแต่ละประเทศ

Makita Corporation
3-11-8, Sumiyoshi-cho,
Anjo, Aichi 446-8502 Japan
www.makita.com

885468C376
EN, ID, VI, TH
20180309