



VN	VIETNAM
----	---------

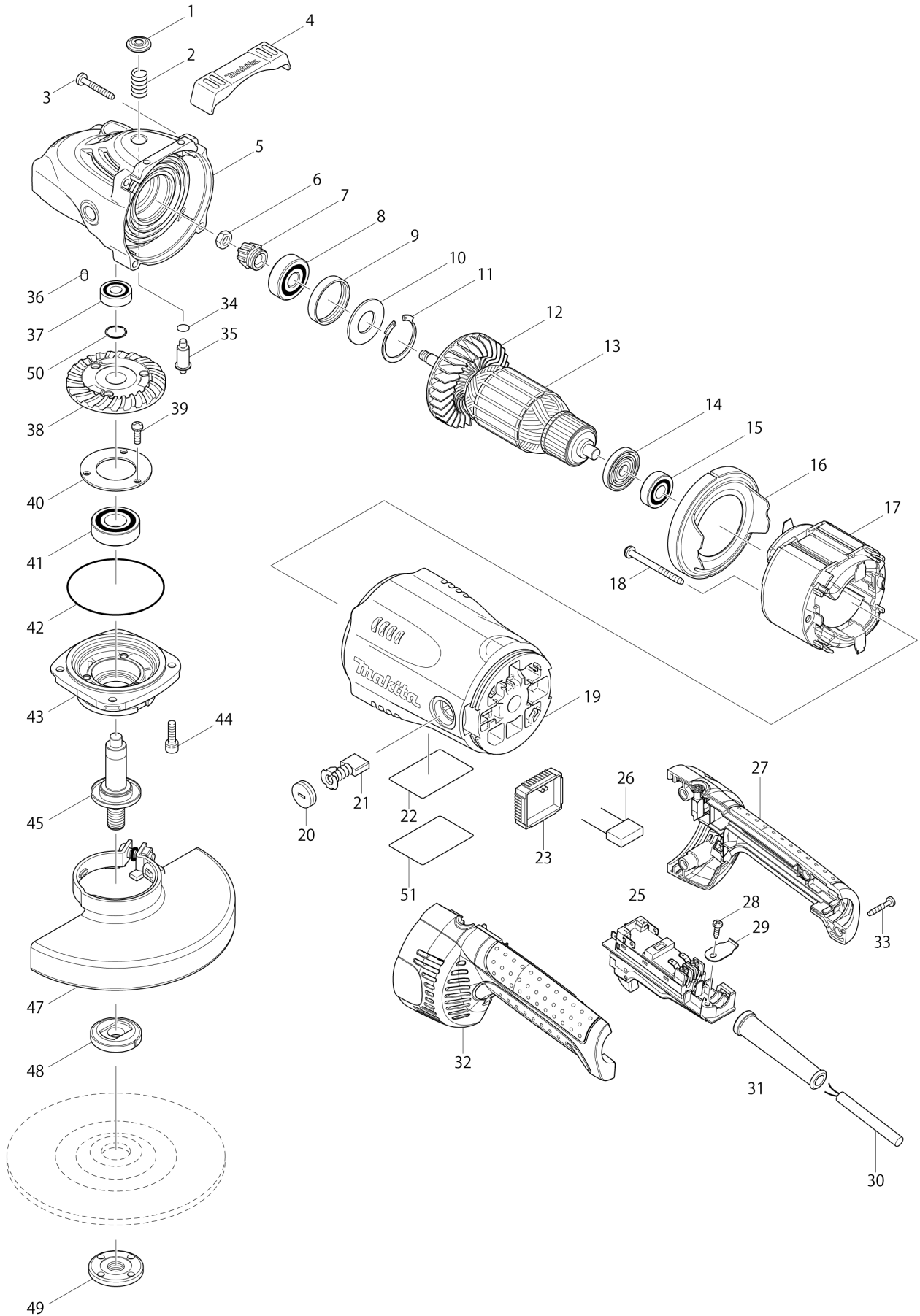
Diagram / Parts List

GA7020R

180MM ANGLE GRINDER



(VN) GA7020R / 180MM ANGLE GRINDER



VN	VIETNAM
-----------	----------------

GA7020R / 180MM ANGLE GRINDER

Item	Sub	Parts No.	Parts Description	Qty	I/C	E/C No.	Close No.	Remark
001		419133-4	PIN CAP	1				
002		233292-8	COMPRESSION SPRING 12	1				
003		266373-3	TAPPING SCREW 5X35	4				
004		419144-9	BUMPER	1				
005		142754-4	GEAR HOUSING COMPLETE	1				
	C10	262118-7	FELT RING 18	1				
006		252194-9	HEX. NUT M8	1				
007		227488-1	SPIRAL BEVEL GEAR 16	1				
008		211132-0	BALL BEARING 6301DDW	1				
009		262085-6	RUBBER RING 38	1				
010		267299-2	FLAT WASHER 20	1				
011		962211-4	RETAINING RING R-42	1				
012		240081-4	FAN 80	1				
013		510125-7	ARMATURE ASS'Y 220V	1				
	D10		INC. 12,14,15					
014		681630-2	INSULATION WASHER	1				
015		211087-9	BALL BEARING 6200DDW	1				
016		419135-0	BAFFLE PLATE	1				
017		526213-0	FIELD ASS'Y 220V	1				
	C10	654197-3	RING TERMINAL	2				
	C20	654502-4	CONNECTOR P-2	2				
018-1		266044-2	TAPPING SCREW 5X60	2				
019		154671-6	MOTOR HOUSING COMPLETE	1				
	C10	643712-8	BRUSH HOLDER	2				
020		643700-5	BRUSH HOLDER CAP 7-18	2				
021		B-80357	CARBON BRUSH SET CB-204A	1				
022		867504-3	GA7020R NAME PLATE	1				
023		631944-9	CONTROLLER	1				
025		650109-4	SWITCH TG08-2100-011	1				
027		188844-9	HANDLE SET	1				
	C10	423404-3	SPONGE SHEET	1				
	C20	451488-1	LENS	1				
	D10		INC. 32					
028		266385-6	TAPPING SCREW 4X14	1				
029		687678-2	STRAIN RELIEF	1				
030		691216-4	POWER SUPPLY CORD 1.25-2-2.5	1				
031		682560-0	CORD GUARD 10	1				
032		188844-9	HANDLE SET	1				
	C10	423404-3	SPONGE SHEET	1				
	C20	451488-1	LENS	1				
	D10		INC. 27					
033		266374-1	TAPPING SCREW 4X25	4				
034		213062-1	O RING 9	1				
035		256491-5	SHOULDER PIN 5	1				
036		263002-9	RUBBER PIN 4	1				
037		211061-7	BALL BEARING 6000LLB	1				
038		227489-9	SPIRAL BEVEL GEAR 53 B	1				
039		265120-9	PAN HEAD SCREW M5X16	3				
040		285724-1	BEARING RETAINER 50	1				
041		211278-2	BALL BEARING 6203DDW	1				
042		213760-7	O RING 78	1				
043		318377-2	BEARING BOX	1				
044		265541-5	HEX. SOCKET HEAD BOLT M6X22	4				
045		158206-5	SPINDLE COMPLETE	1				
	C10	345629-8	LABYRINTH RING 25	1				
047		122889-7	WHEEL COVER 180K ASSEMBLY	1				
	C10	213017-6	O RING 6	1				
	C20	265198-2	+PAN HEAD SCREW M8X25	1				
048		224415-9	INNER FLANGE 42	1			B3974	
048-1		224490-5	INNER FLANGE 14-45	1	O	B3974		
049		224543-0	LOCK NUT 14-45	1				
050		233946-7	RING SPRING 15	1				
051		892272-9	CLEAR LABEL	1				
A01		162264-5	VIBRATION PROOF GRIP	1				
A02		782407-9	LOCK NUT WRENCH 35	1			D1367	

Interchange
O : Yes
X : No
< : the new part can be substituted for the current.
> : the current part can be substituted for the new.
S : Interchangeable as a set.

