



VN	VIETNAM
----	---------

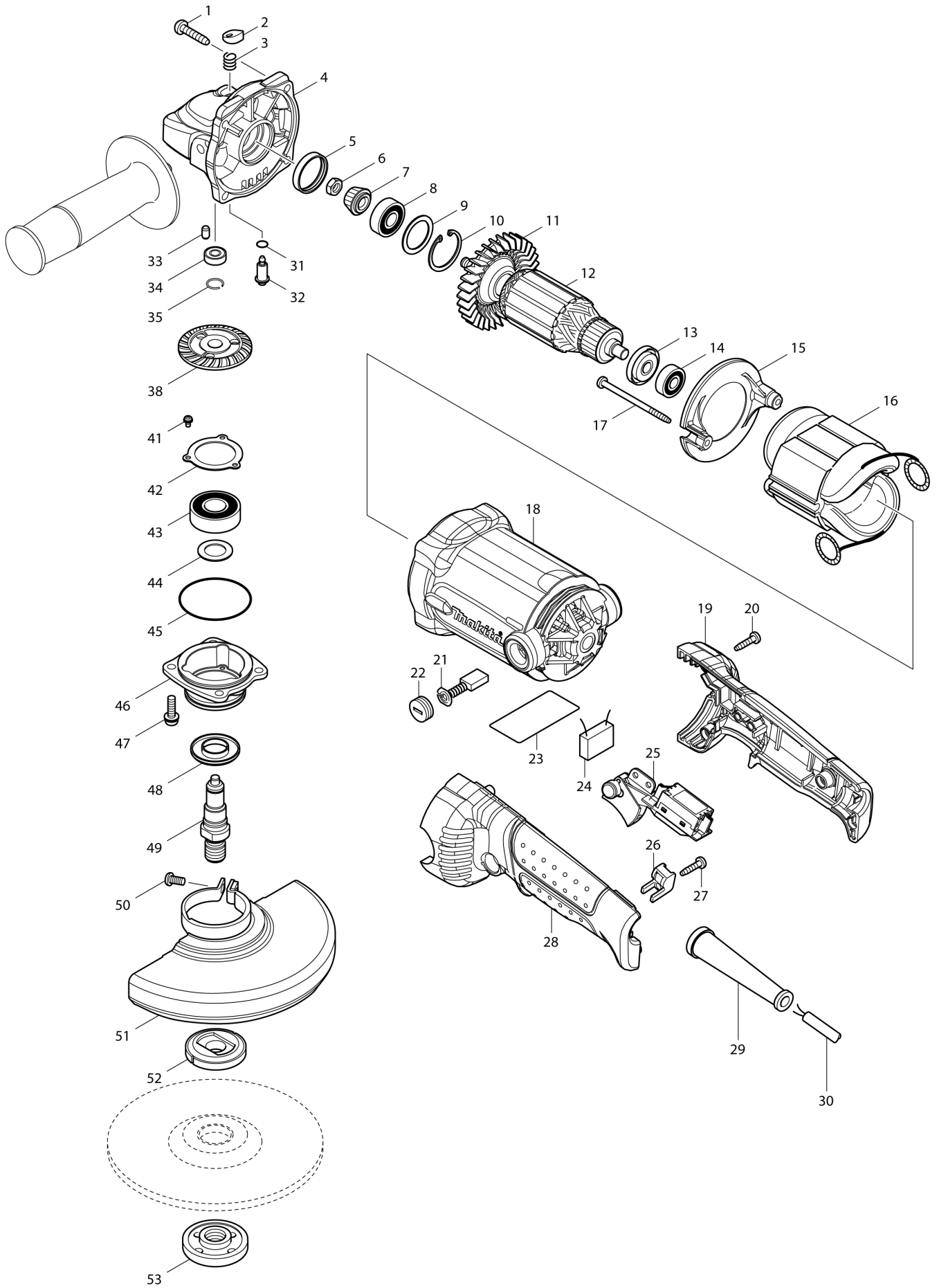
Diagram / Parts List

GA6010

ANGLE GRINDER 150MM



(VN) GA6010 / ANGLE GRINDER 150MM



VN	VIETNAM
-----------	----------------

GA6010 / ANGLE GRINDER 150MM

Item	Sub	Parts No.	Parts Description	Qty	I/C	E/C No.	Close No.	Remark
001		266041-8	TAPPING SCREW 5X25	4			83439	
001-1		266459-3	TAPPING SCREW 5X25	4	O	83439		
002		417771-6	PIN CAP	1				
003		231037-8	COMPRESSION SPRING 7	1			79532	
003-1		234057-1	COMPRESSION SPRING 8	1	<	79532		
004		318158-4	GEAR HOUSING	1				
005		262132-3	RUBBER RING 27	1				
006		264010-3	HEX.NUT M7	1				
007		227520-1	SPIRAL BEVEL GEAR 11	1				
008		211088-7	BALL BEARING 6000DDW	1			87406	
008-1		210059-1	BALL BEARING 6000DDW	1	<	87406		
009		267352-4	FLAT WASHER 22	1				
010		962107-9	RETAINING RING (INT) R-30	1				
011		240094-5	FAN 70	1				
012		513703-2	ARMATURE ASS'Y 220V	1				
	D10		INC. 11,13,14					
013		681644-1	INSULATION WASHER	1				
014		210044-4	BALL BEARING 608DDW	1				
015		419961-7	BAFFLE PLATE	1				
016		525768-2	FIELD ASS'Y 220-240V	1				
	C10	654020-2	RING TERMINAL	2				
	C20	654501-6	CONNECTOR P-1.25	2				
017		266340-8	TAPPING SCREW 4X65	2				
018		158278-0	MOTOR HOUSING COMPLETE	1				
	C10	643708-9	BRUSH HOLDER 5-11	2				
019		188291-4	HANDLE SET	1				
	D10		INC. 28					
020		266326-2	TAPPING SCREW 4X18	4				
021		A-81664	CARBON BRUSH CB-303A	1			83185	
021-1		B-80151	CARBON BRUSH SET CB-303A	1	O	83185	85070	
021-2		B-80379	CARBON BRUSH SET CB-303A	1	<	85070		
022		643750-0	BRUSH HOLDER CAP 7-11	2				
023		863605-5	GA6010 NAME PLATE	1				
025		651193-2	SWITCH TG933TR-1	1				
026		687261-5	STRAIN RELIEF	1				
027		266326-2	TAPPING SCREW 4X18	1				
028		188291-4	HANDLE SET	1				
	D10		INC. 19					
029		682574-9	CORD GUARD 10-90	1				
030		691015-4	POWER SUPPLY CORD 0.75-2-2.5	1				
031		213977-2	O RING 7	1				
032		256505-0	SHOULDER PIN 5	1				
033		263002-9	RUBBER PIN 4	1				
034		210033-9	BALL BEARING 696ZZ	1				
035		233950-6	RING SPRING 11	1				
038		227521-9	SPIRAL BEVEL GEAR 35A	1				
041		911003-8	PAN HEAD SCREW M3X6	3				
042		285728-3	BEARING RETAINER 39	1				
043		211241-5	BALL BEARING 6202DDW	1				
044		253853-8	FLAT WASHER 15	1				
045		213624-5	O RING 48	1				
046		318159-2	BEARING BOX	1			80667	
046-1		318300-7	BEARING BOX	1	<	80667		
047		265131-4	PAN HEAD SCREW M5X18	4				
048		345464-4	LABYRINTH RING	1				
049		324786-5	SPINDLE	1				
050		265103-9	PAN HEAD SCREW M5X14	1			80026	
050-1		265180-1	PAN HEAD SCREW M5X16	1	<	80026		
051		165489-0	WHEEL COVER 150	1			Y05012	
051-1		135169-2	WHEEL COVER 150 ASSY	1	<	Y05012	80026	
	D10		INC. 50			Y05012	80026	
051-2		135192-7	WHEEL COVER 150 ASSEMBLY	1	<	80026		
	D10		INC. 50			80026		
052		224415-9	INNER FLANGE 42	1				
053		224554-5	LOCK NUT 14-45	1				

Interchange
O : Yes
X : No
< : the new part can be substituted for the current.
> : the current part can be substituted for the new.
S : Interchangeable as a set.

