



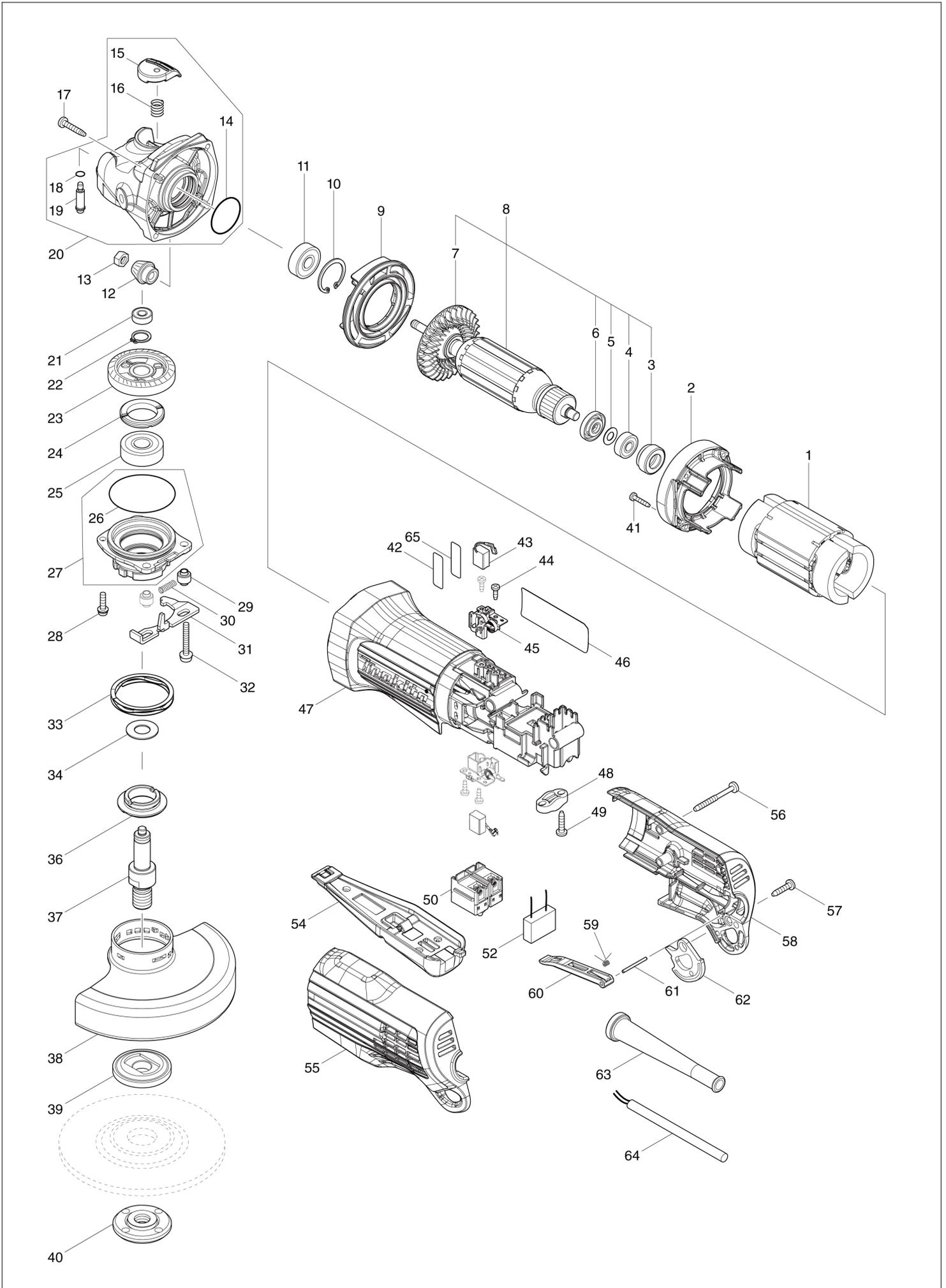
VN	VIETNAM
----	---------

Diagram / Parts List

GA5050

125MM ANGLE GRINDER

(VN) GA5050 / 125MM ANGLE GRINDER



VN	VIETNAM
-----------	----------------

GA5050 / 125MM ANGLE GRINDER

Item	Sub	Parts No.	Parts Description	Qty	I/C	E/C No.	Close No.	Remark
001		634733-1	FIELD	1				
002		459003-5	BAFFLE PLATE	1				
003		422413-9	RUBBER RING 19	1				
004		210017-7	BALL BEARING 607DDW	1				
005		253186-1	FLAT WASHER 7	1				
006		681636-0	INSULATION WASHER	1				
007		240197-5	FAN60	1				
008		517993-9	ARMATURE ASS'Y 220V	1				
	D10		INC. 3-7					
009		459004-3	DIFFUSER	1				
010		962105-3	RETAINING RING R-26	1				
011		211092-6	BALL BEARING 629DDW	1				
012		226858-1	SPIRAL BEVEL GEAR 10	1				
013		252186-8	HEX. NUT M6	1				
014		213445-5	O-RING 26	1				
015		459006-9	PIN CAP	1				
016		232491-9	COMPRESSION SPRING 9	1				
017		266324-6	TAPPING SCREW 4X22	4				
018		213877-6	O-RING 6	1				
019		256594-5	SHOULDER PIN 6	1				
020		136144-1	GEAR HOUSING B ASS'Y	1				
	C10	263002-9	RUBBER PIN 4	1				
	D10		INC. 14-16,18,19					
021		210033-9	BALL BEARING 696ZZ	1				
022		961052-5	RETAINING RING S-12	1				
023		226859-9	SPIRAL BEVEL GEAR 37	1				
024		285039-6	BEARING RETAINER 23-33	1				
025		211129-9	BALL BEARING 6201DDW	1				
026		213624-5	O RING 48	1				
027		136141-7	BEARING BOX A ASS'Y	1				
	D10		INC. 26				D4623	
	D11		INC. 26,66			D4623		
028		911128-8	P.H.SCREW M4X16 WITH WR	2				
029		327322-6	SLEEVE 4	2				
030		232490-1	COMPRESSION SPRING 4	1				
031		347475-5	LEVER	1				
032		911159-7	PAN HEAD SCREW M4X30	2				
033		232542-8	SCROW WAVE SPRING 41	1			D4623	
034		267238-2	FLAT WASHER 12	1				
036		319789-2	PLATE RETAINER 20	1				
037		327241-6	SPINDLE	1				
038		347480-2	WHEEL COVER 125	1				
039		224490-5	INNER FLANGE 14-45	1				
040		224485-8	LOCK NUT 14-45	1				
041		266429-2	TAPPING SCREW 3X16	4				
042		856E22-6	GA5050 SERIAL NO. LABEL	1				
043		191D85-2	CARBON BRUSH SET CB-260	1				
044		266007-8	TAPPING SCREW BIND PT 3X10	4				
045		643541-9	BRUSH HOLDER	2				
046		856E20-0	GA5050 NAME PLATE	1				
047		458999-7	MOTOR HOUSING	1				
048		687140-7	STRAIN RELIEF	1				
049		266326-2	TAPPING SCREW 4X18	2				
050		650579-7	SWITCH 1246.3223	1			D6895	
050-1		651396-8	SWITCH FPC-2115S-0-03	1	<	D6895		
054		162540-7	SWITCH LEVER COMPLETE	1				
	C10	231679-8	TORSION SPRING 2	1				
	C20	459007-7	LOCK OFF LEVER	1			D4039	
	C21	412971-3	LOCK OFF LEVER	1	<	D4039		
	C30	951019-1	SPRING PIN 2-20	1				
055		183M68-0	REAR COVER SET	1				
	D10		INC. 58					
056		266048-4	TAPPING SCREW 4X40	3				
057		266326-2	TAPPING SCREW 4X18	1				
058		183M68-0	REAR COVER SET	1				

Interchange
O : Yes
X : No
< : the new part can be substituted for the current.
> : the current part can be substituted for the new.
S : Interchangeable as a set.

