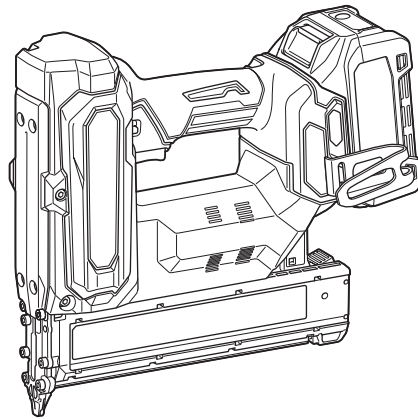




EN	Cordless Brad Nailer	INSTRUCTION MANUAL	5
ZHCN	充电式直钉枪	使用说明书	13
ID	Pemasang Paku Brad Tanpa Kabel	PETUNJUK PENGGUNAAN	21
MS	Pemaku Brad Tanpa Kord	MANUAL ARAHAN	30
VI	Máy Bắn Đinh Cầm Tay Hoạt Động Bằng Pin	TÀI LIỆU HƯỚNG DẪN	39
TH	เครื่องยิงตะปูไร้สาย	คู่มือการใช้งาน	47

FN001G



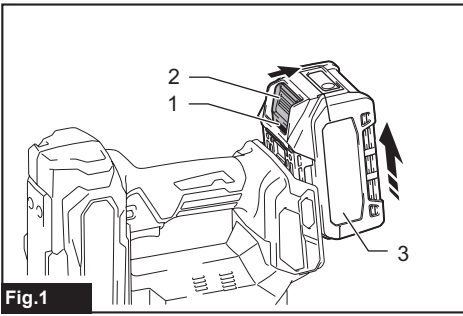


Fig.1

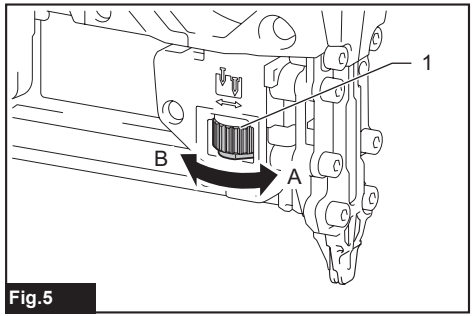


Fig.5

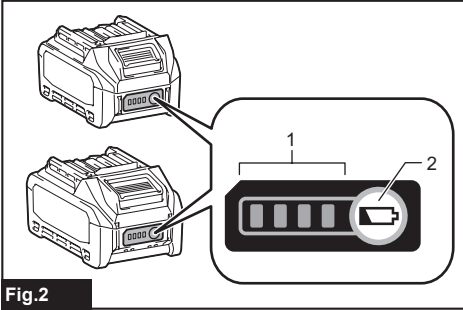


Fig.2

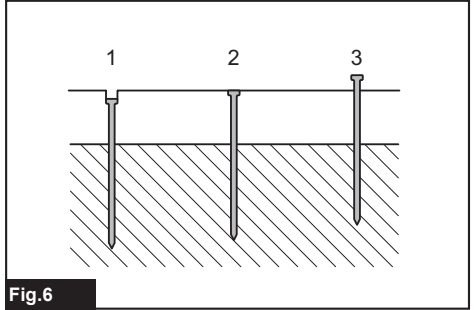


Fig.6

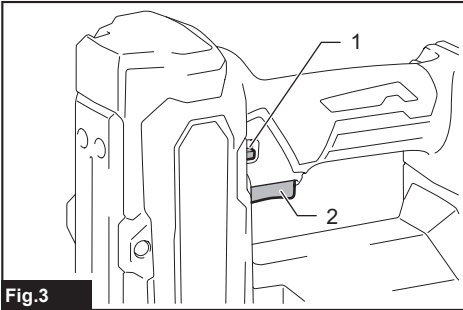


Fig.3

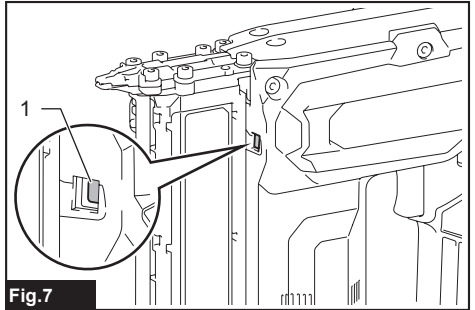


Fig.7

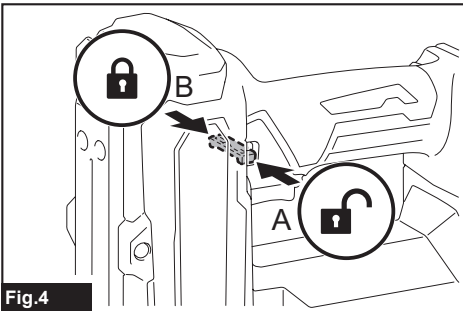


Fig.4

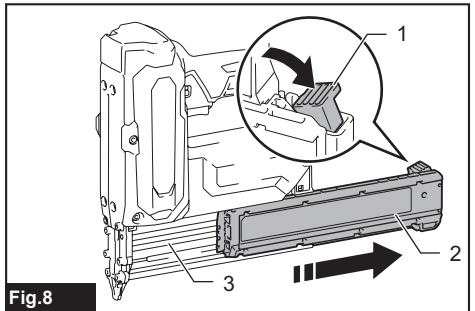


Fig.8

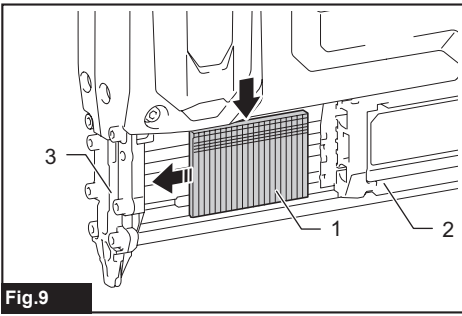


Fig.9

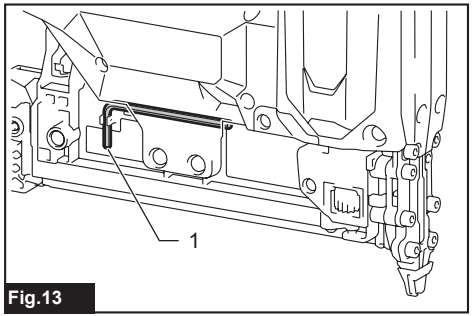


Fig.13

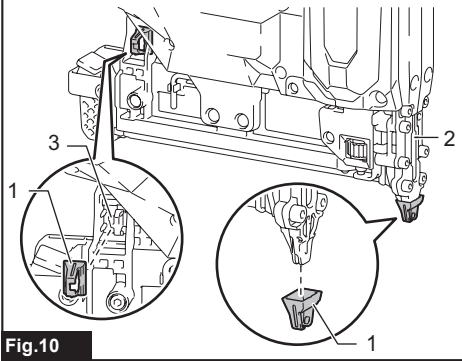


Fig.10

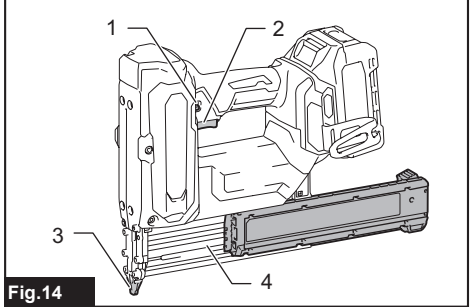


Fig.14

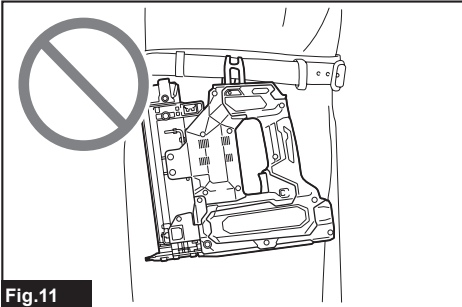


Fig.11

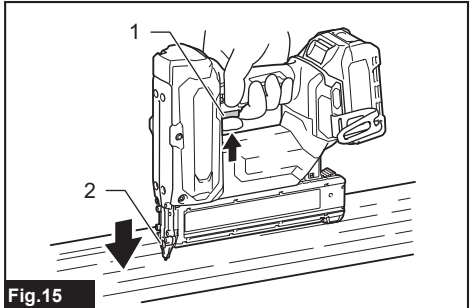


Fig.15

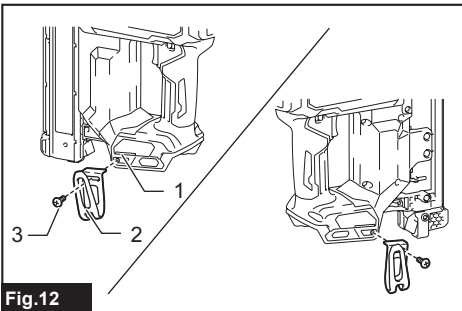


Fig.12

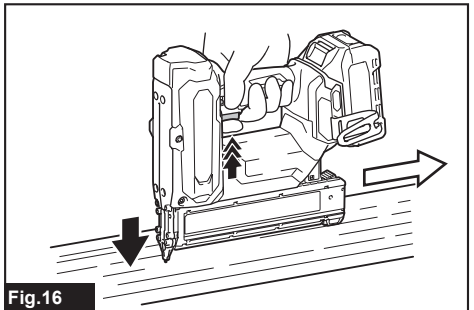


Fig.16

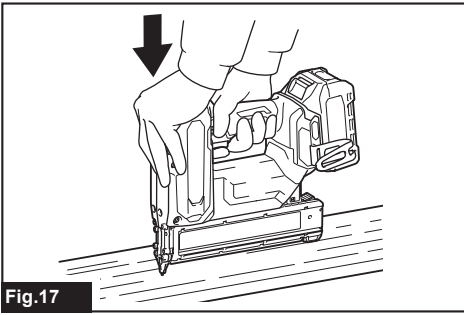


Fig.17

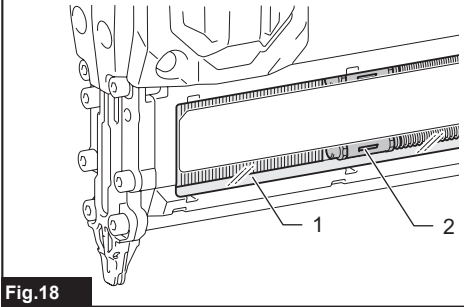


Fig.18

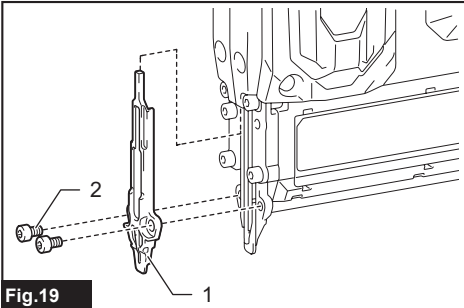


Fig.19

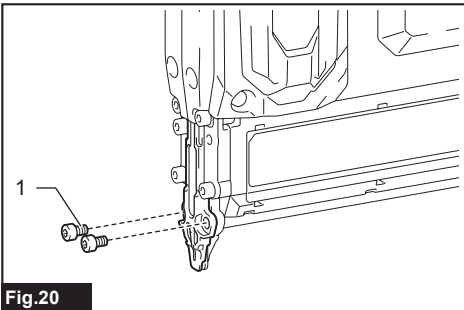


Fig.20

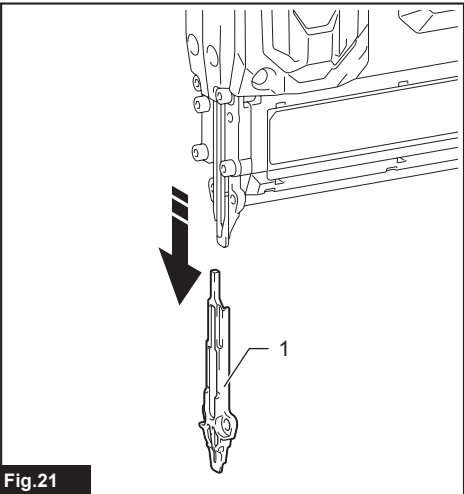


Fig.21

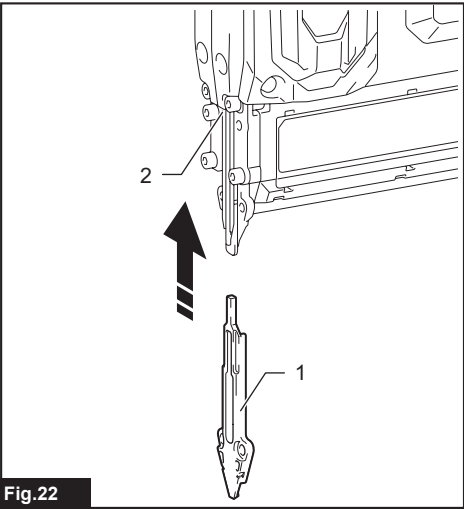


Fig.22

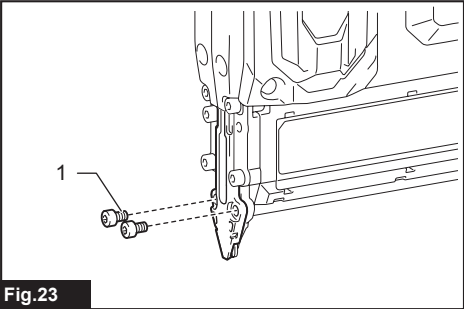


Fig.23

SPECIFICATIONS

Model:	FN001G
Nail size	18Ga x 15, 20, 25, 30, 35, 40 mm
Nail magazine capacity	100 pcs.
Dimensions with BL4025, without hook (L x W x H)	265 mm x 86 mm x 243 mm
Rated voltage	D.C. 36 V - 40 V max
Net weight	2.6 - 3.2 kg

- Due to our continuing program of research and development, the specifications herein are subject to change without notice.
- Specifications and battery cartridge may differ from country to country.
- The weight may differ depending on the attachment(s), including the battery cartridge. The lightest and heaviest combinations, according to EPTA-Procedure 01/2014, are shown in the table.

Applicable battery cartridge and charger



Battery cartridge	BL4020* / BL4025* / BL4040 / BL4050F *: Recommended battery
Charger	DC40RA / DC40RB / DC40RC

- Some of the battery cartridges and chargers listed above may not be available depending on your region of residence.

⚠ WARNING: Only use the battery cartridges and chargers listed above. Use of any other battery cartridges and chargers may cause injury and/or fire.

Symbols

The followings show the symbols which may be used for the equipment. Be sure that you understand their meaning before use.

	Read instruction manual.
	<p>Only for EU countries Do not dispose of electric equipment or battery pack together with household waste material! In observance of the European Directives, on Waste Electric and Electronic Equipment and Batteries and Accumulators and Waste Batteries and Accumulators and their implementation in accordance with national laws, electric equipment and batteries and battery pack(s) that have reached the end of their life must be collected separately and returned to an environmentally compatible recycling facility.</p>

Intended use

The tool is intended for fastening on interior work and furniture work.

SAFETY WARNINGS

General power tool safety warnings

⚠ WARNING: Read all safety warnings, instructions, illustrations and specifications provided with this power tool. Failure to follow all instructions listed below may result in electric shock, fire and/or serious injury.

Save all warnings and instructions for future reference.

The term "power tool" in the warnings refers to your mains-operated (corded) power tool or battery-operated (cordless) power tool.

Work area safety

1. **Keep work area clean and well lit.** Cluttered or dark areas invite accidents.
2. **Do not operate power tools in explosive atmospheres, such as in the presence of flammable liquids, gases or dust.** Power tools create sparks which may ignite the dust or fumes.
3. **Keep children and bystanders away while operating a power tool.** Distractions can cause you to lose control.

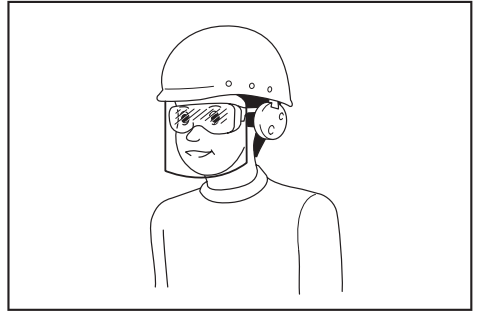
Electrical safety

1. **Power tool plugs must match the outlet. Never modify the plug in any way. Do not use any adapter plugs with earthed (grounded) power tools.** Unmodified plugs and matching outlets will reduce risk of electric shock.
2. **Avoid body contact with earthed or grounded surfaces, such as pipes, radiators, ranges and refrigerators.** There is an increased risk of electric shock if your body is earthed or grounded.
3. **Do not expose power tools to rain or wet conditions.** Water entering a power tool will increase the risk of electric shock.
4. **Do not abuse the cord. Never use the cord for carrying, pulling or unplugging the power tool. Keep cord away from heat, oil, sharp edges or moving parts.** Damaged or entangled cords increase the risk of electric shock.
5. **When operating a power tool outdoors, use an extension cord suitable for outdoor use.** Use of a cord suitable for outdoor use reduces the risk of electric shock.
6. **If operating a power tool in a damp location is unavoidable, use a residual current device (RCD) protected supply.** Use of an RCD reduces the risk of electric shock.
7. **Power tools can produce electromagnetic fields (EMF) that are not harmful to the user.**
However, users of pacemakers and other similar medical devices should contact the maker of their device and/or doctor for advice before operating this power tool.

Personal safety

1. **Stay alert, watch what you are doing and use common sense when operating a power tool. Do not use a power tool while you are tired or under the influence of drugs, alcohol or medication.** A moment of inattention while operating power tools may result in serious personal injury.
2. **Use personal protective equipment. Always wear eye protection.** Protective equipment such as a dust mask, non-skid safety shoes, hard hat or hearing protection used for appropriate conditions will reduce personal injuries.
3. **Prevent unintentional starting. Ensure the switch is in the off-position before connecting to power source and/or battery pack, picking up or carrying the tool.** Carrying power tools with your finger on the switch or energising power tools that have the switch on invites accidents.
4. **Remove any adjusting key or wrench before turning the power tool on.** A wrench or a key left attached to a rotating part of the power tool may result in personal injury.
5. **Do not overreach. Keep proper footing and balance at all times.** This enables better control of the power tool in unexpected situations.
6. **Dress properly. Do not wear loose clothing or jewellery. Keep your hair and clothing away from moving parts.** Loose clothes, jewellery or long hair can be caught in moving parts.

7. **If devices are provided for the connection of dust extraction and collection facilities, ensure these are connected and properly used.** Use of dust collection can reduce dust-related hazards.
8. **Do not let familiarity gained from frequent use of tools allow you to become complacent and ignore tool safety principles.** A careless action can cause severe injury within a fraction of a second.
9. **Always wear protective goggles to protect your eyes from injury when using power tools. The goggles must comply with ANSI Z87.1 in the USA, EN 166 in Europe, or AS/NZS 1336 in Australia/New Zealand. In Australia/New Zealand, it is legally required to wear a face shield to protect your face, too.**



It is an employer's responsibility to enforce the use of appropriate safety protective equipments by the tool operators and by other persons in the immediate working area.

Power tool use and care

1. **Do not force the power tool. Use the correct power tool for your application.** The correct power tool will do the job better and safer at the rate for which it was designed.
2. **Do not use the power tool if the switch does not turn it on and off.** Any power tool that cannot be controlled with the switch is dangerous and must be repaired.
3. **Disconnect the plug from the power source and/or remove the battery pack, if detachable, from the power tool before making any adjustments, changing accessories, or storing power tools.** Such preventive safety measures reduce the risk of starting the power tool accidentally.
4. **Store idle power tools out of the reach of children and do not allow persons unfamiliar with the power tool or these instructions to operate the power tool.** Power tools are dangerous in the hands of untrained users.
5. **Maintain power tools and accessories. Check for misalignment or binding of moving parts, breakage of parts and any other condition that may affect the power tool's operation. If damaged, have the power tool repaired before use.** Many accidents are caused by poorly maintained power tools.
6. **Keep cutting tools sharp and clean.** Properly maintained cutting tools with sharp cutting edges are less likely to bind and are easier to control.

7. **Use the power tool, accessories and tool bits etc. in accordance with these instructions, taking into account the working conditions and the work to be performed.** Use of the power tool for operations different from those intended could result in a hazardous situation.
8. **Keep handles and grasping surfaces dry, clean and free from oil and grease.** Slippery handles and grasping surfaces do not allow for safe handling and control of the tool in unexpected situations.
9. **When using the tool, do not wear cloth work gloves which may be entangled.** The entanglement of cloth work gloves in the moving parts may result in personal injury.
2. **Do not point the tool towards yourself or anyone nearby.** Unexpected triggering will discharge the fastener causing an injury.
3. **Do not actuate the tool unless the tool is placed firmly against the workpiece.** If the tool is not in contact with the workpiece, the fastener may be deflected away from your target.
4. **Disconnect the tool from the power source when the fastener jams in the tool.** While removing a jammed fastener, the nailer may be accidentally activated if it is plugged in.
5. **Use caution while removing a jammed fastener.** The mechanism may be under compression and the fastener may be forcefully discharged while attempting to free a jammed condition.

Battery tool use and care

1. **Recharge only with the charger specified by the manufacturer.** A charger that is suitable for one type of battery pack may create a risk of fire when used with another battery pack.
2. **Use power tools only with specifically designed battery packs.** Use of any other battery packs may create a risk of injury and fire.
3. **When battery pack is not in use, keep it away from other metal objects, like paper clips, coins, keys, nails, screws or other small metal objects, that can make a connection from one terminal to another.** Shorting the battery terminals together may cause burns or a fire.
4. **Under abusive conditions, liquid may be ejected from the battery; avoid contact. If contact accidentally occurs, flush with water. If liquid contacts eyes, additionally seek medical help.** Liquid ejected from the battery may cause irritation or burns.
5. **Do not use a battery pack or tool that is damaged or modified.** Damaged or modified batteries may exhibit unpredictable behaviour resulting in fire, explosion or risk of injury.
6. **Do not expose a battery pack or tool to fire or excessive temperature.** Exposure to fire or temperature above 130 °C may cause explosion.
7. **Follow all charging instructions and do not charge the battery pack or tool outside the temperature range specified in the instructions.** Charging improperly or at temperatures outside the specified range may damage the battery and increase the risk of fire.
7. **Keep hands and feet away from the ejection port area.**
8. **Follow instruction for lubricating and changing accessories.**
9. **Always remove the battery cartridge before loading the fasteners, adjustment, inspection, maintenance or after operation is over.**
10. **Make sure no one is nearby before operation. Never attempt to drive fasteners from both the inside and outside of wall at the same time. Fasteners may rip through and/or fly off, presenting a grave danger.**
11. **Watch your footing and maintain your balance with the tool. Make sure there is no one below when working in high locations.**
12. **Never use fastener driving tools marked with the symbol "Do not use on scaffoldings, ladders" for specific application for example:**
 - when changing one driving location to another involves the use of scaffoldings, stairs, ladders, or ladder alike constructions, e.g. roof laths;
 - closing boxes or crates;
 - fitting transportation safety systems e.g. on vehicles and wagons.
13. **Check walls, ceilings, floors, roofing and the like carefully to avoid possible electrical shock, gas leakage, explosions, etc. caused by stapling into live wires, conduits or gas pipes.**

Service

1. **Have your power tool serviced by a qualified repair person using only identical replacement parts.** This will ensure that the safety of the power tool is maintained.
2. **Never service damaged battery packs.** Service of battery packs should only be performed by the manufacturer or authorized service providers.
3. **Follow instruction for lubricating and changing accessories.**
4. **Use only fasteners specified in this manual. The use of any other fasteners may cause malfunction of the tool.**
5. **Do not tamper with the tool or attempt to use it for other than driving fasteners.**
6. **Do not operate the tool without fasteners. It shortens the service life of the tool.**
7. **Stop driving operations immediately if you notice something wrong or out of the ordinary with the tool.**
8. **Never fasten into any materials which may allow the fastener to puncture and fly through as a projectile.**

Cordless nailer safety warnings

1. **Always assume that the tool contains fasteners.** Careless handling of the nailer can result in unexpected firing of fasteners and personal injury.

19. Never actuate the switch trigger and contact element at the same time until you are prepared to fasten workpieces. Allow the workpiece to depress the contact element. Never defeat its purpose by securing the contact element back or by depressing it by hand.
20. Never tamper with the contact element. Check the contact element frequently for proper operations.
21. Always remove fasteners from the tool when not in use.
10. The contained lithium-ion batteries are subject to the Dangerous Goods Legislation requirements.
For commercial transports e.g. by third parties, forwarding agents, special requirement on packaging and labeling must be observed. For preparation of the item being shipped, consulting an expert for hazardous material is required. Please also observe possibly more detailed national regulations.
Tape or mask off open contacts and pack up the battery in such a manner that it cannot move around in the packaging.

SAVE THESE INSTRUCTIONS.

⚠WARNING: DO NOT let comfort or familiarity with product (gained from repeated use) replace strict adherence to safety rules for the subject product. MISUSE or failure to follow the safety rules stated in this instruction manual may cause serious personal injury.

Important safety instructions for battery cartridge

1. Before using battery cartridge, read all instructions and cautionary markings on (1) battery charger, (2) battery, and (3) product using battery.
2. Do not disassemble or tamper the battery cartridge. It may result in a fire, excessive heat, or explosion.
3. If operating time has become excessively shorter, stop operating immediately. It may result in a risk of overheating, possible burns and even an explosion.
4. If electrolyte gets into your eyes, rinse them out with clear water and seek medical attention right away. It may result in loss of your eyesight.
5. Do not short the battery cartridge:
 - (1) Do not touch the terminals with any conductive material.
 - (2) Avoid storing battery cartridge in a container with other metal objects such as nails, coins, etc.
 - (3) Do not expose battery cartridge to water or rain.

A battery short can cause a large current flow, overheating, possible burns and even a breakdown.
6. Do not store and use the tool and battery cartridge in locations where the temperature may reach or exceed 50 °C (122 °F).
7. Do not incinerate the battery cartridge even if it is severely damaged or is completely worn out. The battery cartridge can explode in a fire.
8. Do not nail, cut, crush, throw, drop the battery cartridge, or hit against a hard object to the battery cartridge. Such conduct may result in a fire, excessive heat, or explosion.
9. Do not use a damaged battery.
11. When disposing the battery cartridge, remove it from the tool and dispose of it in a safe place. Follow your local regulations relating to disposal of battery.
12. Use the batteries only with the products specified by Makita. Installing the batteries to non-compliant products may result in a fire, excessive heat, explosion, or leak of electrolyte.
13. If the tool is not used for a long period of time, the battery must be removed from the tool.
14. During and after use, the battery cartridge may take on heat which can cause burns or low temperature burns. Pay attention to the handling of hot battery cartridges.
15. Do not touch the terminal of the tool immediately after use as it may get hot enough to cause burns.
16. Do not allow chips, dust, or soil stuck into the terminals, holes, and grooves of the battery cartridge. It may result in poor performance or breakdown of the tool or battery cartridge.
17. Unless the tool supports the use near high-voltage electrical power lines, do not use the battery cartridge near a high-voltage electrical power lines. It may result in a malfunction or breakdown of the tool or battery cartridge.
18. Keep the battery away from children.

SAVE THESE INSTRUCTIONS.

⚠CAUTION: Only use genuine Makita batteries. Use of non-genuine Makita batteries, or batteries that have been altered, may result in the battery bursting causing fires, personal injury and damage. It will also void the Makita warranty for the Makita tool and charger.

Tips for maintaining maximum battery life

1. Charge the battery cartridge before completely discharged. Always stop tool operation and charge the battery cartridge when you notice less tool power.
2. Never recharge a fully charged battery cartridge. Overcharging shortens the battery service life.
3. Charge the battery cartridge with room temperature at 10 °C - 40 °C (50 °F - 104 °F). Let a hot battery cartridge cool down before charging it.
4. When not using the battery cartridge, remove it from the tool or the charger.

5. Charge the battery cartridge if you do not use it for a long period (more than six months).

FUNCTIONAL DESCRIPTION

CAUTION: Always be sure that the tool is switched off and the battery cartridge is removed before adjusting or checking function on the tool.

Installing or removing battery cartridge

CAUTION: Always switch off the tool before installing or removing of the battery cartridge.

CAUTION: Hold the tool and the battery cartridge firmly when installing or removing battery cartridge. Failure to hold the tool and the battery cartridge firmly may cause them to slip off your hands and result in damage to the tool and battery cartridge and a personal injury.

► Fig.1: 1. Red indicator 2. Button 3. Battery cartridge

To remove the battery cartridge, slide it from the tool while sliding the button on the front of the cartridge.

To install the battery cartridge, align the tongue on the battery cartridge with the groove in the housing and slip it into place. Insert it all the way until it locks in place with a little click. If you can see the red indicator on the upper side of the button, it is not locked completely.

CAUTION: Always install the battery cartridge fully until the red indicator cannot be seen. If not, it may accidentally fall out of the tool, causing injury to you or someone around you.

CAUTION: Do not install the battery cartridge forcibly. If the cartridge does not slide in easily, it is not being inserted correctly.

Tool / battery protection system

The tool is equipped with a tool/battery protection system. This system automatically cuts off power to the motor to extend tool and battery life. The tool will automatically stop during operation if the tool or battery is placed under one of the following conditions:

Overload protection

When the tool/battery is operated in a manner that causes it to draw an abnormally high current, the tool automatically stops without any indication. In this situation, turn the tool off and stop the application that caused the tool to become overloaded. Then turn the tool on to restart.

Overheat protection

When the tool/battery is overheated, the tool stops automatically. In this situation, let the tool/battery cool before turning the tool on again.

Overdischarge protection

When the battery capacity is not enough, the tool stops automatically. In this case, remove the battery from the tool and charge the battery.

Indicating the remaining battery capacity

Press the check button on the battery cartridge to indicate the remaining battery capacity. The indicator lamps light up for a few seconds.

► Fig.2: 1. Indicator lamps 2. Check button

Indicator lamps			Remaining capacity
Lighted	Off	Blinking	
■ ■ ■ ■			75% to 100%
■ ■ ■ □			50% to 75%
■ ■ □ □			25% to 50%
■ □ □ □			0% to 25%
◐ □ □ □			Charge the battery.
■ ■ □ □			The battery may have malfunctioned.
□ □ ■ ■			

NOTE: Depending on the conditions of use and the ambient temperature, the indication may differ slightly from the actual capacity.

NOTE: The first (far left) indicator lamp will blink when the battery protection system works.

Trigger-lock button

CAUTION: Before installing the battery cartridge into the tool, always check to see that the switch trigger actuates properly and returns to the "OFF" position when released.

CAUTION: When not operating the tool, depress the trigger-lock button from B side to lock the switch trigger in the OFF position.

► Fig.3: 1. Trigger-lock button 2. Switch trigger

► Fig.4

To prevent the switch trigger from accidentally pulled, the trigger-lock button is provided.

To pull the switch trigger, depress the trigger-lock button from A side.

After use, always press in the trigger-lock button from B side.

Adjusting the depth of nailing

⚠ WARNING: Always make sure that your fingers are not placed on the switch trigger or the contact element and the battery cartridge is removed before adjusting the depth of nailing.

Depth of nailing can be adjusted by turning the adjuster on the tool. A nail drives deeper as you turn the adjuster in the A direction shown in the figure, and shallower in the B direction, within a range of up to 2.5 mm.

► Fig.5: 1. Adjuster

► Fig.6: 1. Too deep 2. Right depth 3. Too shallow

Lighting up the lamp

⚠ CAUTION: Do not look in the light or see the source of light directly.

Pull the switch trigger or actuate the contact element to light up the lamp. The lamp remains lit for up to 60 seconds while pulling the switch trigger or actuating the contact element. The lamp goes out approximately 10 seconds after releasing the switch trigger and the contact element.

► Fig.7: 1. Lamp

NOTICE: Use a dry cloth to wipe the dirt off the lens of the lamp. Be careful not to scratch the lens of lamp, or it may lower the illumination.

NOTICE: Even in the lamp lights up when the battery power residual gets small, nailer may not fire nails. In this case, charge the battery cartridge.

NOTICE: When the tool is overheated, the light flashes. In this case, release the switch trigger and contact element, and then cool down the tool/battery before operating again.

NOTICE: The lamp starts blinking if the nailer detects an error during driving the nail. In this case, bring the nailer to a Factory Service Center.

ASSEMBLY

⚠ CAUTION: Always make sure that your fingers are not placed on the switch trigger or the contact element and the battery cartridge is removed before carrying out any work on the nailer.

Loading or unloading the nails

⚠ CAUTION: Always make sure that your fingers are not placed on the trigger and the battery cartridge is removed before loading nails.

⚠ CAUTION: Do not abruptly slide the slide door of the nailer loaded with nails. Accidentally dropping nails especially when working in high places may cause personal injuries.

⚠ CAUTION: Load nails in the correct direction. Loading in wrong direction may cause premature wear and tear of the driver and damage of the other parts.

⚠ CAUTION: Do not use deformed nail strips. Use nails specified in this manual. Using nails other than those specified may cause nail jamming and breakage of the nailer.

1. Press the lock lever and open the slide door of the magazine.

► Fig.8: 1. Lock lever 2. Slide door 3. Magazine

2. Set a nail strip so that the nail tips touch the bottom of the magazine and slide the nail strip toward the driver guide.

► Fig.9: 1. Nails 2. Slide door 3. Driver guide

3. Return the slide door to the original position until the lock lever locks it.

To remove the nails, press the lock lever and slide the slide door. Take out nails from the magazine.

Nose adapter

⚠ CAUTION: Always make sure that your fingers are not placed on the switch trigger or the contact element and the battery cartridge is removed before installing the nose adapter.

When firing nails on the material with easily-marred surfaces, use the nose adapter. Put the adapter onto the pointed end of the driver guide.

You can store the nose adapter in the holder at the back end of the magazine to keep it from being lost.

► Fig.10: 1. Nose adapter 2. Driver guide 3. Holder

Hook

⚠ CAUTION: When installing the hook, always secure it with the screw firmly. If not, the hook may come off from the tool and result in the personal injury.

⚠ CAUTION: Use the hanging/mounting parts for their intended purposes only. Using for unintended purpose may cause accident or personal injury.

⚠ CAUTION: Do not hang the hook from the waist belt. Dropping the nailer, which is caused by the hook accidentally coming out of place, may cause unintentional firing and result in personal injuries.

► Fig.11

The hook is convenient for temporarily hanging the tool. This can be installed on either side of the tool.

To install the hook, insert it into a groove in the tool housing on either side and then secure it with a screw. To remove, loosen the screw and then take it out.

► Fig.12: 1. Groove 2. Hook 3. Screw

Hex wrench storage

When not in use, store the hex wrench as shown in the figure to keep it from being lost.

► Fig.13: 1. Hex wrench

OPERATION

Testing the safety system

⚠ WARNING: Make sure all safety systems are in working order before operation. Failure to do so may cause personal injuries.

► Fig.14: 1. Trigger-lock button 2. Switch trigger 3. Contact element 4. Magazine

Test safety systems as follows for possible fault before operation.

1. Unload nails from the tool and keep the magazine opened.
2. Install the battery cartridge and release the trigger lock.
3. Pull the switch trigger without touching the contact element against the material.
4. Touch the contact element against the material without pulling the switch trigger.

If the tool operates in the case of 3 or 4 above, the safety systems are faulty. Stop using the tool immediately and ask your local service center.

Driving nails

⚠ WARNING: Continue to place the contact element firmly on the material until the nail is driven completely. Unintentional firing may cause personal injuries.

⚠ CAUTION: Hold the tool firmly during operation.

1. Release the trigger lock.
2. Place flat the contact element on the material.
3. Pull the switch trigger fully to drive a nail.
4. To drive the next nail, release your finger from the switch trigger once, and then repeat the step 2 and 3 above.

► Fig.15: 1. Switch trigger 2. Contact element

You can also drive the nails when dragging the tool to the next area with the contact element pressed against the material and pulling the switch trigger.

► Fig.16

If the head of the nail remains above the workpiece surface, drive the nail while holding the nailer head firmly against the workpiece.

► Fig.17

NOTE: If the head of the nail still remains above the workpiece even you hold the nail head, the material may not be suitable for the nailer. Continuing to use the nailer on such material may result in a damage to the driver of the nailer and/or nailer jamming.

Anti dry fire mechanism

⚠ WARNING: Always make sure that your fingers are not placed on the switch trigger or the contact element and the battery cartridge is removed before loading the nailer.

When the number of remaining nail strips in the magazine is empty, the switch trigger can no longer be pulled. At this time, insert a new nail strip in the magazine. The switch trigger can be pulled again.

Checking remaining nails

You can check the amount of remaining nails through the sight window.

The red indicator moves toward firing opening as the amount of remaining nails becomes smaller.

► Fig.18: 1. Sight window 2. Indicator

Removing jammed nails

⚠ WARNING: Always make sure that the trigger is released, and the battery cartridge and nails are removed before removing jammed nails.

⚠ CAUTION: Do not remove the jammed nails with bare hands. The nail may jump out of the magazine and cause an injury.

Remove the hex bolts on the driver guide using the hex wrench.

Take the jammed nails from the nail guide groove with a slotted screwdriver.

Secure the driver guide with the hex bolts.

► **Fig.19:** 1. Driver guide 2. Hex bolt

NOTE: After securing the driver guide, always make sure that it actuates properly. If not, remove hex bolts and install the driver guide again.

MAINTENANCE

⚠ CAUTION: Always be sure that the tool is switched off and the battery cartridge is removed before attempting to perform inspection or maintenance.

NOTICE: Never use gasoline, benzine, thinner, alcohol or the like. Discoloration, deformation or cracks may result.

To maintain product SAFETY and RELIABILITY, repairs, any other maintenance or adjustment should be performed by Makita Authorized or Factory Service Centers, always using Makita replacement parts.

Replacing driver guide

Optional accessory

Replace the standard-equipped driver guide with the optional driver guide better suited for fastening soft wood.

1. Remove the hex bolts on the driver guide using the hex wrench.

► **Fig.20:** 1. Hex bolt

2. Pull off the standard-equipped driver guide downward.

► **Fig.21:** 1. Standard-equipped driver guide

3. Install the optional driver guide by pushing it upward into the guide slot.

► **Fig.22:** 1. Optional driver guide 2. Guide slot

4. Secure the optional driver guide with the hex bolts.

► **Fig.23:** 1. Hex bolt

OPTIONAL ACCESSORIES

⚠ CAUTION: These accessories or attachments are recommended for use with your Makita tool specified in this manual. The use of any other accessories or attachments might present a risk of injury to persons. Only use accessory or attachment for its stated purpose.

If you need any assistance for more details regarding these accessories, ask your local Makita Service Center.

- Nails
- Safety goggles
- Driver guide (for fastening soft wood)
- Makita genuine battery and charger

NOTE: Some items in the list may be included in the tool package as standard accessories. They may differ from country to country.

规格

型号:	FN001G
蚊钉尺寸	18Ga x 15、20、25、30、35、40 mm
蚊钉盒容量	100个
含BL4025尺寸， 无挂钩（长x宽x高）	265 mm × 86 mm × 243 mm
额定电压	D.C. 36 V - 40 V（最大）
净重	2.6 - 3.2 kg

- 生产者保留变更规格不另行通知之权利。
- 规格和电池组可能因销往国家之不同而异。
- 重量因附件（包括电池组）而异。根据EPTA-Procedure 01/2014，最重与最轻的组合见表。

适用电池组和充电器

电池组	BL4020* / BL4025* / BL4040 / BL4050F *: 建议使用的电池
充电器	DC40RA / DC40RB / DC40RC

- 部分以上所列电池组和充电器是否适用视用户所在地区而异。

警告： 请仅使用以上所列电池组和充电器。使用其他类型的电池组或充电器可能会导致人身伤害和/或失火。

符号

以下显示本设备可能会使用的符号。在使用工具之前，请务必理解其含义。



阅读使用说明书。



仅限于欧盟国家
请勿将电气设备或电池组与家庭普通废弃物一同丢弃！
请务必遵守欧洲关于废弃电子电气设备、电池和蓄电池以及废弃电池和蓄电池的指令并根据法律法规执行。达到使用寿命的电气设备和电池组必须分类回收至符合环境保护规定的再循环机构。

用途

本工具用于室内装修作业中的紧固作业。

安全警告

电动工具通用安全警告

警告： 阅读随电动工具提供的所有安全警告、说明、图示和规定。不遵照以下所列说明会导致电击、着火和 / 或严重伤害。

保存所有警告和说明书以备查阅。

警告中的术语“电动工具”是指市电驱动（有线）电动工具或电池驱动（无线）电动工具。

工作场地的安全

1. 保持工作场地清洁和明亮。杂乱和黑暗的场地会引发事故。
2. 不要在易爆环境，如有易燃液体、气体或粉尘的环境下操作电动工具。电动工具产生的火花会点燃粉尘或气体。
3. 操作电动工具时，远离儿童和旁观者。注意力不集中会使你失去对工具的控制。

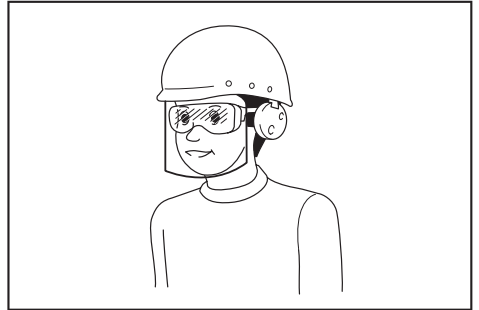
电气安全

1. 电动工具插头必须与插座相配。绝不能以任何方式改装插头。需接地的电动工具不能使用任何转换插头。未经改装的插头和相配的插座将降低电击风险。
2. 避免人体接触接地表面，如管道、散热片和冰箱。如果你身体接触接地表面会增加电击风险。
3. 不得将电动工具暴露在雨中或潮湿环境中。水进入电动工具将增加电击风险。
4. 不得滥用软线。绝不能用软线搬运、拉动电动工具或拔出其插头。使软线远离热源、油、锐边或运动部件。受损或缠绕的软线会增加电击风险。
5. 当在户外使用电动工具时，使用适合户外使用的延长线。适合户外使用的电线将降低电击风险。
6. 如果无法避免在潮湿环境中操作电动工具，应使用带有剩余电流装置（RCD）保护的电源。RCD的使用可降低电击风险。
7. 电动工具会产生对用户无害的电磁场（EMF）。但是，起搏器和其他类似医疗设备的用户应在操作本电动工具前咨询其设备的制造商和/或医生寻求建议。

人身安全

1. 保持警觉，当操作电动工具时关注所从事的操作并保持清醒。当你感到疲倦，或在有药物、酒精或治疗反应时，不要操作电动工具。在操作电动工具时瞬间的疏忽会导致严重人身伤害。
2. 使用个人防护装置。始终佩戴护目镜。防护装置，诸如适当条件下使用防尘面具、防滑安全鞋、安全帽、听力防护等装置能减少人身伤害。
3. 防止意外起动。在连接电源和/或电池包、拿起或搬运工具前确保开关处于关闭位置。手指放在开关上搬运工具或开关处于接通时通电会导致危险。
4. 在电动工具接通之前，拿掉所有调节钥匙或扳手。遗留在电动工具旋转零件上的扳手或钥匙会导致人身伤害。
5. 手不要过分伸展。时刻注意立足点和身体平衡。这样能在意外情况下能更好地控制住电动工具。
6. 着装适当。不要穿宽松衣服或佩戴饰品。让你的头发和衣服远离运动部件。宽松衣服、佩饰或长发可能会卷入运动部件。

7. 如果提供了与排屑、集尘设备连接用的装置，要确保其连接完好且使用得当。使用集尘装置可降低尘屑引起的危险。
8. 不要因为频繁使用工具而产生的熟悉感而掉以轻心，忽视工具的安全准则。某个粗心的动作可能在瞬间导致严重的伤害。
9. 使用电动工具时请始终佩戴护目镜以免伤害眼睛。护目镜须符合美国ANSI Z87.1、欧洲EN 166或者澳大利亚/新西兰的AS/NZS 1336的规定。在澳大利亚/新西兰，法律要求佩戴面罩保护脸部。



雇主有责任监督工具操作者和其他近工作区域人员佩戴合适的安全防护设备。

电动工具使用和注意事项

1. 不要勉强使用电动工具，根据用途使用合适的电动工具。选用合适的按照额定值设计的电动工具会使你工作更有效、更安全。
2. 如果开关不能接通或关断电源，则不能使用该电动工具。不能通过开关来控制的电动工具是危险的且必须进行修理。
3. 在进行任何调节、更换附件或贮存电动工具之前，必须从电源上拔掉插头和/或卸下电池包（如可拆卸）。这种防护性的安全措施降低了电动工具意外起动的风险。
4. 将闲置不用的电动工具贮存在儿童所及范围之外，并且不允许不熟悉电动工具和不了解这些说明的人操作电动工具。电动工具在未经培训的使用者手中是危险的。
5. 维护电动工具及其附件。检查运动部件是否调整到位或卡住，检查零件破损情况和影响电动工具运行的其他状况。如有损坏，应在使用前修理好电动工具。许多事故是由维护不良的电动工具引发的。

充电式钉枪使用安全警告

6. 保持切削刀具锋利和清洁。维护良好地有锋利切削刃的刀具不易卡住而且容易控制。
7. 按照使用说明书，并考虑作业条件和要进行的作业来选择电动工具、附件和工具的刀头等。将电动工具用于那些与其用途不符的操作可能会导致危险情况。
8. 保持手柄和握持表面干燥、清洁，不得沾有油脂。在意外的情况下，湿滑的手柄不能保证握持的安全和对工具的控制。
9. 使用本工具时，请勿佩戴可能会缠绕的布质工作手套。布质工作手套卷入移动部件可能会造成人身伤害。

电池式工具使用和注意事项

1. 仅使用生产者规定的充电器充电。将适用于某种电池包的充电器用到其他电池包时可能会发生着火危险。
2. 仅使用配有专用电池包的电动工具。使用其他电池包可能会产生伤害和着火危险。
3. 当电池包不用时，将它远离其他金属物体，例如回形针、硬币、钥匙、钉子、螺钉或其他小金属物体，以防电池包一端与另一端连接。电池组端部短路可能会引起燃烧或着火。
4. 在滥用条件下，液体可能会从电池组中溅出；应避免接触。如果意外碰到液体，用水冲洗。如果液体碰到了眼睛，还应寻求医疗帮助。从电池中溅出的液体可能会发生腐蚀或燃烧。
5. 不要使用损坏或改装过的电池包或工具。损坏或改装过的电池组可能呈现无法预测的结果，导致着火、爆炸或伤害。
6. 不要将电池包暴露于火或高温中。电池包暴露于火或高于130℃的高温中可能导致爆炸。
7. 遵循所有充电说明。不要在说明书中指定的温度范围之外给电池包或电动工具充电。不正确或在指定的温度范围外充电可能会损坏电池和增加着火的风险。

维修

1. 让专业维修人员使用相同的备件维修电动工具。这将保证所维修的电动工具的安全。
2. 决不能维修损坏的电池包。电池包仅能由生产者或其授权的维修服务商进行维修。
3. 上润滑油及更换附件时请遵循本说明书指示。

1. 务必总是假定工具中含有紧固件。粗心操作钉枪会导致紧固件意外弹出并造成人身伤害。
2. 请勿将工具对准自身或近旁任何人。意外扣动工具会弹出紧固件，从而造成人身伤害。
3. 将工具牢固抵住工件之前，请勿启动工具。如果工具未抵住工件，紧固件可能会偏离目标紧固位置。
4. 当紧固件卡入工具时，请断开工具电源。否则工具可能会在拆卸卡住的紧固件时意外启动。
5. 拆卸卡住的紧固件时，请务必小心操作。紧固机构可能会处于受压状态，当尝试将紧固件从受卡状态中释放时，它可能会强力弹出。
6. 请勿使用该钉枪固定电缆。该工具并非设计用于电缆安装，若用于该用途，可能会损坏电缆绝缘部分，从而造成触电或火灾。
7. 手和脚靠近弹射口区域。
8. 根据说明进行润滑和更换附件。
9. 务必在装载紧固件，执行调整、检查和保养前或使用之后拆下电池组。
10. 操作工具前，请确保近旁无人。切勿尝试从墙壁内外两侧同时驱动紧固件。紧固件可能会穿透和/或飞出墙壁，造成伤亡事故。
11. 使用工具时，请注意立足稳固并保持平衡。在高处作业时，要确保下方无人。
12. 切勿将标有符号“请勿在脚手架、梯子上使用”的紧固件驱动工具用于某些应用场合，例如：
 - 当从一个打钉位置移动至另一使用脚手架、楼梯、梯子或梯类结构（如屋顶板条）的位置时；
 - 闭合箱子或板条箱；
 - 修理运输安全系统，例如：车辆和货车。
13. 仔细检查墙壁、天花板、地板、屋面等类似位置以避免因钉入带电电线、导管或煤气管道而导致触电、煤气泄露和爆炸等。
14. 仅可使用本说明书指定的紧固件。使用任何其他紧固件可能会导致工具故障。
15. 请勿改装本工具，或将其用作驱动紧固件以外的用途。

16. 未安装紧固件时，请勿操作本工具。这会缩短工具使用寿命。
17. 如果注意到工具出现故障或异常情况，请立即停止打钉操作。
18. 切勿将紧固件钉入可能会使紧固件穿透并射出的任何材料。
19. 准备好紧固工件之前，切勿同时启动开关扳机和接触部件。使工件按压接触部件。切勿将接触部件固定在回缩位置或手动按压接触部件而影响其用途。
20. 切勿改装接触部件。时常检查接触部件以确保正常操作。
21. 不使用时，务必从工具上拆下紧固件。

请保留此说明书。

警告： 请勿为图方便或因对产品足够熟悉（由于重复使用而获得的经验）而不严格遵循相关产品安全规则。使用不当或不遵循使用说明书中的安全规则会导致严重的人身伤害。

电池组的重要安全注意事项

1. 在使用电池组之前，请仔细阅读所有的说明以及（1）电池充电器，（2）电池，以及（3）使用电池的产品上的警告标记。
2. 切勿拆卸或改装电池组。否则可能引起火灾、过热或爆炸。
3. 如果机器运行时间变得过短，请立即停止使用。否则可能会导致过热、起火甚至爆炸。
4. 如果电解液进入您的眼睛，用清水将其冲洗干净并立即就医。否则可能会导致视力受损。
5. 请勿使电池组短路：
 - (1) 请勿使任何导电材料碰触到端子。
 - (2) 避免将电池组与其他金属物品如钉子、硬币等放置在同一容器内。
 - (3) 请勿将电池组置于水中或使其淋雨。电池短路将产生大的电流，导致过热，并可能导致起火甚至击穿。
6. 请勿在温度可能达到或超过50°C (122°F) 的场所存放以及使用工具和电池组。
7. 即使电池组已经严重损坏或完全磨损，也请勿焚烧电池组。电池组会在火中爆炸。
8. 请勿对电池组射钉，或者切削、挤压、抛掷、掉落电池组，又或者用硬物撞击电池组。否则可能引起火灾、过热或爆炸。
9. 请勿使用损坏的电池。

10. 本工具附带的锂离子电池需符合危险品法规要求。

第三方或转运代理等进行商业运输时，应遵循包装和标识方面的特殊要求。有关运输项目的准备作业，咨询危险品方面的专业人士。同时，请遵守可能更为详尽的国家法规。

请使用胶带保护且勿遮掩表面的联络信息，并牢固封装电池，使电池在包装内不可动。

11. 丢弃电池组时，需将其从工具上卸下并在安全地带进行处理。关于如何处理废弃的电池，请遵循当地法规。
12. 仅将电池用于Makita（牧田）指定的产品。将电池安装至不兼容的产品会导致起火、过热、爆炸或电解液泄漏。
13. 如长时间未使用工具，必须将电池从工具内取出。
14. 使用工具期间以及使用工具之后，电池组温度可能较高易引起灼伤或低温烫伤。处理高温电池组时请小心操作。
15. 在使用工具后请勿立即触碰工具的端子，否则可能引起灼伤。
16. 避免锯屑、灰尘或泥土卡入电池组的端子、孔口和凹槽内。否则可能导致工具或电池组性能下降或故障。
17. 除非工具支持在高压电源线路附近使用，否则请勿在高压电源线路附近使用电池组。否则可能导致工具或电池组故障或失常。
18. 确保电池远离儿童。

请保留此说明书。

小心： 请仅使用Makita（牧田）原装电池。使用非Makita（牧田）原装电池或经过改装的电池可能会导致电池爆炸，从而造成火灾、人身伤害或物品受损。同时也会导致牧田工具和充电器的牧田保修服务失效。

保持电池最大使用寿命的提示

1. 在电池组电量完全耗尽前及时充电。发现工具电量低时，请停止工具操作，并给电池组充电。
2. 请勿对已充满电的电池组重新充电。过度充电将缩短电池的使用寿命。
3. 请在10°C - 40°C (50°F - 104°F) 的室温条件下给电池组充电。请在灼热的电池组冷却后再充电。
4. 不使用电池组时，请将其从工具或充电器上拆除。

5. 如果电池组长时间（超过六个月）未使用，请给其充电。

功能描述

⚠️小心： 调节或检查工具功能之前，请务必关闭工具的电源并取出电池组。

安装或拆卸电池组

⚠️小心： 安装或拆卸电池组之前，请务必关闭工具电源。

⚠️小心： 安装或拆卸电池组时请握紧工具和电池组。否则它们可能从您的手中滑落，导致工具和电池组受损，甚至造成人身伤害。

► **图片1：** 1. 红色指示器 2. 按钮 3. 电池组

拆卸电池组时，按下电池组前侧的按钮，同时将电池组从工具中抽出。

安装电池组时，要将电池组上的舌簧与外罩上的凹槽对齐，然后推滑到位。将其完全插入到位，直到电池组被锁定并发出卡嗒声为止。如果插入后仍能看到按钮上侧的红色指示器，则说明电池组未完全锁紧。

⚠️小心： 务必完全装入电池组，直至看不见红色指示器为止。否则，它可能会从工具中意外脱落，从而造成自身或他人受伤。

⚠️小心： 请勿强行安装电池组。如果电池组难以插入，可能是插入方法不当。

工具 / 电池保护系统

本工具配备有工具 / 电池保护系统。该系统可自动切断电机电源以延长工具和电池寿命。作业时，如果工具或电池处于以下情况，工具将会自动停止运转。

过载保护

以导致异常高电流的方式操作工具 / 电池时，工具会自动停止运转，指示灯不闪烁。在这种情况下，请关闭工具并停止导致工具过载的应用操作。然后开启工具重新启动。

过热保护

工具 / 电池过热时，工具会自动停止。在这种情况下，请待工具 / 电池冷却后再开启工具。

过放电保护

电池电量不足时，本工具自动停止运转。此时，请取出工具中的电池并予以充电。

显示电池的剩余电量

按电池组上的CHECK（查看）按钮可显示电池剩余电量。指示灯将亮起数秒。

► **图片2：** 1. 指示灯 2. CHECK（查看）按钮

指示灯			剩余电量
■ 点亮	□ 熄灭	▩ 闪烁	
■	■	■	75%至100%
■	■	□	50%至75%
■	□	□	25%至50%
■	□	□	0%至25%
▩	□	□	给电池充电。
■	■	□	电池可能出现故障。
□	□	■	

注： 在不同的使用条件及环境温度下，指示灯所示电量可能与实际情况略有不同。

注： 当电池保护系统启动时，第一个（最左侧）指示灯将闪烁。

扳机锁按钮

⚠️小心： 在将电池组插入工具之前，请务必检查开关扳机是否能扣动自如，松开时能否退回至“OFF”（关闭）位置。

⚠️小心： 不再操作工具时，从B侧按下扳机锁按钮，将开关扳机锁定在OFF（关闭）位置。

► **图片3：** 1. 扳机锁按钮 2. 开关扳机

► **图片4**

为避免使用者不小心扣动开关扳机，本工具采用扳机锁按钮。

要扣动开关扳机，请从A侧按下扳机锁按钮。使用之后，请务必从B侧按下扳机锁按钮。

调节打钉深度

警告： 调节打钉深度前，请勿将手指放置在开关扳机或接触部件上，并取出电池组。

旋转工具上的调节器可调节打钉深度。沿图示A方向旋转调节器可增大打钉深度，沿B方向转动可减小打钉深度，最大打钉深度可达2.5 mm。

► 图片5: 1. 调节器

► 图片6: 1. 过深 2. 适当深度 3. 过浅

点亮照明灯

小心： 请勿直视灯光或光源。

扣动开关扳机或启动接触部件以点亮照明灯。在扣动开关扳机或启动接触部件时，此灯将保持常亮，常亮时间最长为60秒。松开开关扳机和接触部件约10秒后，此灯会熄灭。

► 图片7: 1. 照明灯

注意： 请使用干布擦拭灯头灰。注意不要刮花灯头，否则会降低亮度。

注意： 当钉枪电池电力不足时，即便可以点亮照明灯，也可能无法打钉。在这种情况下，请给电池组充电。

注意： 工具过热时，该灯将闪烁。此时，请释放开关扳机和接触部件，待工具 / 电池冷却后再重新操作。

注意： 如果钉枪在打钉时检测到错误，灯会开始闪烁。在这种情况下，请将钉枪交由工厂维修中心。

装配

小心： 对钉枪行任何装配操作前，请勿将手指放置在开关扳机或接触部件上，并取出电池组。

装卸蚊钉

小心： 装载蚊钉前，请勿将手指放置在扳机上，并取出电池组。

小心： 请勿突然滑动装有蚊钉的钉枪的滑盖。尤其是在高处作业时，意外掉落蚊钉可能会造成人身伤害。

小心： 以正确的方向装入蚊钉。以错误的方向装入蚊钉可能导致打钉器过早磨损、裂开并损坏其他部件。

小心： 请勿使用变形的钉条。请使用本手册中指定的蚊钉。使用其他非指定的蚊钉，可能会导致卡钉和钉枪破损。

1. 按锁定杆并打开钉盒的滑盖。

► 图片8: 1. 锁定杆 2. 滑盖 3. 钉盒

2. 设置钉条使钉尖触及钉盒的底部并将钉条滑向打钉器导向头。

► 图片9: 1. 蚊钉 2. 滑盖 3. 打钉器导向头

3. 使滑盖返回至原位直到锁定杆将其锁定为止。

如要取下蚊钉，请按锁定杆并滑动滑盖。从钉盒中取出蚊钉。

枪头适配器

小心： 安装枪头适配器前，请勿将手指放置在开关扳机或接触部件上，并取出电池组。

当在表面易损的材料上打钉时，请使用枪头适配器。将适配器放置于打钉器导向头的尖端。您可以将枪头适配器存放在钉盒后端的固定器中，以防丢失。

► 图片10: 1. 枪头适配器 2. 打钉器导向头 3. 固定器

挂钩

⚠️小心： 安装挂钩时，务必使用螺丝将其固定。否则挂钩可能会脱离工具，导致人身伤害。

⚠️小心： 悬挂 / 安装部件只能用于预期用途。用作其他用途可能会引发意外或造成人身伤害。

⚠️小心： 请勿将挂钩挂在腰带上。因挂钩意外脱落而导致钉枪掉落，可能会造成意外打钉并导致人身伤害。

► 图片11

挂钩便于临时悬挂工具。可安装在工具的任一侧。

要安装挂钩，请将其插入工具外壳上任一侧的凹槽中，然后用螺丝加以紧固。要拆卸挂钩，请将螺丝拧松，然后将其取出。

► 图片12: 1. 凹槽 2. 挂钩 3. 螺丝

六角扳手的存放

不使用时，请如图所示贮存六角扳手以防丢失。

► 图片13: 1. 六角扳手

操作

测试安全系统

⚠️警告： 请在操作前确保所有的安全系统处于工作状态。否则可能会导致人身伤害。

► 图片14: 1. 扳机锁按钮 2. 开关扳机 3. 接触部件 4. 钉盒

操作前按如下步骤测试安全系统，查找可能存在的故障。

1. 从工具中取出蚊钉并保持钉盒打开。
2. 安装电池组并释放扳机锁。
3. 在接触部件未抵住材料的情况下扣动开关扳机。
4. 在不扣动开关扳机的情况下，使接触部件抵住材料。

如果工具在以上3或4的情况下运行，表明安全系统存在故障。立即停止使用工具，并联系当地维修中心寻求帮助。

打钉

⚠️警告： 继续将接触部件稳放在材料上，直至完全打出蚊钉。意外打钉可能会造成人身伤害。

⚠️小心： 操作时请紧握工具。

1. 释放扳机锁。
2. 将接触部件平放在材料上。
3. 完全扣动开关扳机以打钉。
4. 若要打出下一个蚊钉，请从开关扳机松开手指，然后重复上述步骤2和3。

► 图片15: 1. 开关扳机 2. 接触部件

使接触部件抵在材料上将工具拖到下一个区域时也可扣动开关扳机打钉。

► 图片16

打钉后，如果蚊钉头突出工件表面之上，请在使钉枪头抵紧工件的情况下打钉。

► 图片17

注： 如果抵紧钉枪头仍会使蚊钉头突出工件表面之上，则该材料可能不适用于蚊钉枪。继续在此类材料上使用蚊钉枪可能会损坏蚊钉枪的打钉器和 / 或造成蚊钉枪卡钉。

防空击机构

⚠️警告： 装载蚊钉前，请勿将手指放置在开关扳机或接触部件上，并取出电池组。

当钉盒中的剩余钉数为零时，将不可再扣动开关扳机。此时，请在钉盒中插入新的钉条。然后可再次扣动开关扳机。

检查剩余的蚊钉

您可以通过视窗检查剩余的钉数。随着剩余的钉数变少，红色指示灯会朝射钉开口处移动。

► 图片18: 1. 视窗 2. 指示灯

取出卡住的蚊钉

警告： 取出卡住的蚊钉前，请务必确保已松开扳机并取出电池组和蚊钉。

小心： 请勿直接用手取出卡住的蚊钉。蚊钉可能会弹出钉盒并造成人身伤害。

使用六角扳手拆下打钉器导向头上的六角螺栓。

使用一字头螺丝起子从蚊钉导槽中取出卡住的蚊钉。

使用六角螺栓固定打钉器导向头。

► **图片19：** 1. 打钉器导向头 2. 六角螺栓

注： 将打钉器导向头固定后，确保其能够正常启动。如不能正常启动，请拆下六角螺栓，然后重新安装打钉器导向头。

保养

小心： 检查或保养工具之前，请务必关闭工具电源并取出电池组。

注意： 切勿使用汽油、苯、稀释剂、酒精或类似物品清洁工具。否则可能会导致工具变色、变形或出现裂缝。

为了保证产品的安全与可靠性，维修、任何其他维修保养或调节需由Makita（牧田）授权的或工厂维修服务中心完成。务必使用Makita（牧田）的替换部件。

更换打钉器导向头

选购附件

替换标配打钉器导向头，使用更适合固定软木材的选配型打钉器导向头。

1. 使用六角扳手拆下打钉器导向头上的六角螺栓。

► **图片20：** 1. 六角螺栓

2. 向下拔出标配打钉器导向头。

► **图片21：** 1. 标配打钉器导向头

3. 将选配型打钉器导向头向上推入导向头插槽内使其安装到位。

► **图片22：** 1. 选配型打钉器导向头 2. 导向头插槽

4. 使用六角螺栓固定选配型打钉器导向头。

► **图片23：** 1. 六角螺栓

选购附件

小心： 这些附件或装置专用于本说明书所列的Makita（牧田）工具。如使用其他厂牌附件或装置，可能导致人身伤害。仅可将附件或装置用于规定目的。

如果您需要了解更多关于这些选购附件的信息，请咨询当地的Makita（牧田）维修服务中心。

- 蚊钉
- 护目镜
- 打钉器导向头（用于固定软木材）
- Makita（牧田）原装电池和充电器

注： 本列表表中的一些部件可能作为标准配件包含于工具包装内。它们可能因销往国家之不同而异。

SPEKIFIKASI

Model:	FN001G
Ukuran paku	18Ga x 15, 20, 25, 30, 35, 40 mm
Kapasitas magasin paku	100 buah
Dimensi dengan BL4025, tanpa kait (P x L x T)	265 mm x 86 mm x 243 mm
Tegangan terukur	D.C. 36 V - 40 V maks
Berat bersih	2,6 - 3,2 kg

- Karena kesinambungan program penelitian dan pengembangan kami, spesifikasi yang disebutkan di sini dapat berubah tanpa pemberitahuan.
- Spesifikasi dan kartrid baterai dapat berbeda dari satu negara ke negara lainnya.
- Berat alat mungkin berbeda tergantung perangkat tambahan yang dipasang, termasuk kartrid baterai. Kombinasi alat terberat dan teringan, sesuai Prosedur EPTA 01/2014, ditunjukkan pada tabel.

Kartrid dan pengisi daya baterai yang dapat digunakan

Kartrid baterai	BL4020* / BL4025* / BL4040 / BL4050F * : Baterai yang direkomendasikan
Pengisi daya	DC40RA / DC40RB / DC40RC

- Beberapa kartrid baterai dan pengisi daya yang tercantum di atas mungkin tidak tersedia, tergantung wilayah tempat tinggal Anda.

⚠ PERINGATAN: Hanya gunakan kartrid dan pengisi daya baterai yang tercantum di atas. Penggunaan kartrid dan pengisi daya baterai lain dapat menimbulkan risiko cedera dan/atau kebakaran.

Simbol

Berikut ini adalah simbol-simbol yang dapat digunakan pada peralatan ini. Pastikan Anda memahami arti masing-masing simbol sebelum menggunakan peralatan.



Baca petunjuk penggunaan.



Ni-MH
Li-Ion

Hanya untuk negara-negara UE
Jangan membuang peralatan listrik atau paket baterai bersama-sama dengan bahan limbah rumah tangga!
Dengan memerhatikan Petunjuk Eropa, tentang Limbah Peralatan Listrik dan Elektronik serta Baterai dan Akumulator serta Limbah Baterai dan Akumulator dan pelaksanaannya sesuai dengan ketentuan hukum nasional, peralatan listrik dan baterai dan paket baterai yang telah habis umur pakainya harus dikumpulkan secara terpisah dan dikembalikan ke fasilitas daur ulang yang kompatibel secara lingkungan.

Penggunaan

Mesin ini digunakan khusus untuk pengencangan pekerjaan interior dan furnitur.

PERINGATAN KESELAMATAN

Peringatan keselamatan umum mesin listrik

⚠ PERINGATAN: Bacalah semua peringatan keselamatan, petunjuk, ilustrasi dan spesifikasi yang disertakan bersama mesin listrik ini. Kelalaian untuk mematuhi semua petunjuk yang tercantum di bawah ini dapat menyebabkan sengatan listrik, kebakaran dan/atau cedera serius.

Simpanlah semua peringatan dan petunjuk untuk acuan di masa depan.

Istilah "mesin listrik" dalam semua peringatan mengacu pada mesin listrik yang dijalankan dengan sumber listrik jala-jala (berkabel) atau baterai (tanpa kabel).

Keselamatan tempat kerja

1. **Jaga tempat kerja selalu bersih dan berpenerangan cukup.** Tempat kerja yang berantakan dan gelap mengundang kecelakaan.
2. **Jangan gunakan mesin listrik dalam lingkungan yang mudah meledak, misalnya jika ada cairan, gas, atau debu yang mudah menyala.** Mesin listrik menimbulkan bunga api yang dapat menyalakan debu atau uap tersebut.

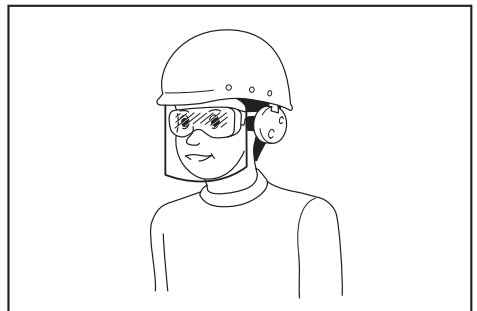
3. **Jauhkan anak-anak dan orang lain saat menggunakan mesin listrik.** Bila perhatian terpecah, anda dapat kehilangan kendali.

Keamanan Kelistrikan

1. **Steker mesin listrik harus cocok dengan stopkontak. Jangan sekali-kali mengubah steker dengan cara apa pun. Jangan menggunakan steker adaptor dengan mesin listrik terbumi (dibumikan).** Steker yang tidak diubah dan stopkontak yang cocok akan mengurangi risiko sengatan listrik.
 2. **Hindari sentuhan tubuh dengan permukaan terbumi atau yang dibumikan seperti pipa, radiator, kompor, dan kulkas.** Risiko sengatan listrik bertambah jika tubuh Anda terbumikan atau dibumikan.
 3. **Jangan membiarkan mesin listrik kehujaan atau kebasahan.** Air yang masuk ke dalam mesin listrik akan meningkatkan risiko sengatan listrik.
 4. **Jangan menyalahgunakan kabel. Jangan sekali-kali menggunakan kabel untuk membawa, menarik, atau mencabut mesin listrik dari stopkontak. Jauhkan kabel dari panas, minyak, tepian tajam, atau bagian yang bergerak.** Kabel yang rusak atau kusut memperbesar risiko sengatan listrik.
 5. **Bila menggunakan mesin listrik di luar ruangan, gunakan kabel ekstensi yang sesuai untuk penggunaan di luar ruangan.** Penggunaan kabel yang sesuai untuk penggunaan luar ruangan mengurangi risiko sengatan listrik.
 6. **Jika mengoperasikan mesin listrik di lokasi lembap tidak terhindarkan, gunakan pasokan daya yang dilindungi peranti imbasan arus (residual current device - RCD).** Penggunaan RCD mengurangi risiko sengatan listrik.
 7. **Mesin listrik dapat menghasilkan medan magnet (EMF) yang tidak berbahaya bagi pengguna.** Namun, pengguna alat pacu jantung atau peralatan medis sejenisnya harus berkonsultasi dengan produsen peralatan tersebut dan/atau dokter mereka sebelum mengoperasikan mesin listrik ini.
3. **Cegah penyalaan yang tidak disengaja. Pastikan bahwa sakelar berada dalam posisi mati (off) sebelum menghubungkan mesin ke sumber daya dan/atau paket baterai, atau mengangkat atau membawanya.** Membawa mesin listrik dengan jari Anda pada sakelarnya atau mengalirkan listrik pada mesin listrik yang sakelarnya hidup (on) akan mengundang kecelakaan.
 4. **Lepaskan kunci-kunci penyetel sebelum menghidupkan mesin listrik.** Kunci-kunci yang masih terpasang pada bagian mesin listrik yang berputar dapat menyebabkan cedera.
 5. **Jangan meraih terlalu jauh. Jagalah pijakan dan keseimbangan sepanjang waktu.** Hal ini memungkinkan kendali yang lebih baik atas mesin listrik dalam situasi yang tidak diharapkan.
 6. **Kenakan pakaian yang memadai. Jangan memakai pakaian yang longgar atau perhiasan. Jaga jarak antara rambut dan pakaian Anda dengan komponen mesin yang bergerak.** Pakaian yang longgar, perhiasan, atau rambut yang panjang dapat tersangkut pada komponen yang bergerak.
 7. **Jika tersedia fasilitas untuk menghisap dan mengumpulkan debu, pastikan fasilitas tersebut terhubung listrik dan digunakan dengan baik.** Penggunaan pembersih debu dapat mengurangi bahaya yang terkait dengan debu.
 8. **Jangan sampai Anda lengah dan mengabaikan prinsip keselamatan mesin ini hanya karena sudah sering mengoperasikannya dan sudah merasa terbiasa.** Tindakan yang lalai dapat menyebabkan cedera berat dalam sepersekian detik saja.
 9. **Selalu kenakan kacamata pelindung untuk melindungi mata dari cedera saat menggunakan mesin listrik. Kacamata harus sesuai dengan ANSI Z87.1 di Amerika Serikat, EN 166 di Eropa, atau AS/NZS 1336 di Australia/Selandia Baru. Di Australia/Selandia Baru, secara hukum Anda juga diwajibkan mengenakan pelindung wajah untuk melindungi wajah Anda.**

Keselamatan Diri

1. **Jaga kewaspadaan, perhatikan pekerjaan Anda dan gunakan akal sehat bila menggunakan mesin listrik. Jangan menggunakan mesin listrik saat Anda lelah atau di bawah pengaruh obat bius, alkohol, atau obat.** Sekejap saja lalai saat menggunakan mesin listrik dapat menyebabkan cedera badan serius.
2. **Gunakan alat pelindung diri. Selalu gunakan pelindung mata.** Peralatan pelindung seperti masker debu, sepatu pengaman anti-selip, helm pengaman, atau pelindung telinga yang digunakan untuk kondisi yang sesuai akan mengurangi risiko cedera badan.



Menjadi tanggung jawab atasan untuk menerapkan penggunaan alat pelindung keselamatan yang tepat bagi operator mesin dan orang lain yang berada di area kerja saat itu.

Penggunaan dan pemeliharaan mesin listrik

1. **Jangan memaksa mesin listrik. Gunakan mesin listrik yang tepat untuk keperluan Anda.** Mesin listrik yang tepat akan menuntaskan pekerjaan dengan lebih baik dan aman pada kecepatan sesuai rancangannya.
2. **Jangan gunakan mesin listrik jika sakelar tidak dapat menyala dan mematkannya.** Mesin listrik yang tidak dapat dikendalikan dengan sakelarnya adalah berbahaya dan harus diperbaiki.
3. **Cabut steker dari sumber listrik dan/atau lepas paket baterai, jika dapat dilepas, dari mesin listrik sebelum melakukan penyetulan apa pun, mengganti aksesoris, atau menyimpan mesin listrik.** Langkah keselamatan preventif tersebut mengurangi risiko hidupnya mesin secara tak sengaja.
4. **Simpan mesin listrik jauh dari jangkauan anak-anak dan jangan biarkan orang yang tidak paham mengenai mesin listrik tersebut atau petunjuk ini menggunakan mesin listrik.** Mesin listrik sangat berbahaya di tangan pengguna yang tak terlatih.
5. **Rawatlah mesin listrik dan aksesoris. Periksa apakah ada komponen bergerak yang tidak lurus atau macet, komponen yang pecah, dan kondisi-kondisi lain yang dapat memengaruhi pengoperasian mesin listrik. Jika rusak, perbaiki mesin listrik terlebih dahulu sebelum digunakan.** Banyak kecelakaan disebabkan oleh kurangnya pemeliharaan mesin listrik.
6. **Jaga agar mesin pemotong tetap tajam dan bersih.** Mesin pemotong yang terawat baik dengan mata pemotong yang tajam tidak mudah macet dan lebih mudah dikendalikan.
7. **Gunakan mesin listrik, aksesoris, dan mata mesin, dll. sesuai dengan petunjuk ini, dengan memperhitungkan kondisi kerja dan jenis pekerjaan yang dilakukan.** Penggunaan mesin listrik untuk penggunaan yang lain dari peruntukan dapat menimbulkan situasi berbahaya.
8. **Jagalah agar gagang dan permukaan pegangan tetap kering, bersih, dan bebas dari minyak dan pelumas.** Gagang dan permukaan pegangan yang licin tidak mendukung keamanan penanganan dan pengendalian mesin dalam situasi-situasi tak terduga.
9. **Ketika menggunakan mesin, jangan menggunakan sarung tangan kain yang dapat tersangkut.** Sarung tangan kain yang tersangkut pada komponen bergerak dapat mengakibatkan cedera pada pengguna.

Penggunaan dan pemeliharaan mesin bertenaga baterai

1. **Isi ulang baterai hanya dengan pengisi daya yang ditentukan oleh pabrikan.** Pengisi daya yang cocok untuk satu jenis paket baterai dapat menimbulkan risiko kebakaran ketika digunakan untuk paket baterai yang lain.
2. **Gunakan mesin listrik hanya dengan paket baterai yang telah ditentukan secara khusus.** Penggunaan paket baterai lain dapat menimbulkan risiko cedera dan kebakaran.

3. **Ketika paket baterai tidak digunakan, jauhkan dari benda logam lain, seperti penjepit kertas, uang logam, kunci, paku, sekrup atau benda logam kecil lainnya, yang dapat menghubungkan satu terminal ke terminal lain.** Hubungan singkat terminal baterai dapat menyebabkan luka bakar atau kebakaran.
4. **Pemakaian yang salah, dapat menyebabkan keluarnya cairan dari baterai; hindari kontak. Jika terjadi kontak secara tidak sengaja, bilas dengan air. Jika cairan mengenai mata, cari bantuan medis.** Cairan yang keluar dari baterai bisa menyebabkan iritasi atau luka bakar.
5. **Jangan menggunakan paket baterai atau mesin yang sudah rusak atau telah diubah.** Baterai yang rusak atau telah diubah dapat menyebabkan hal-hal yang tidak dapat diprediksi yang dapat menyebabkan kebakaran, ledakan atau risiko cedera.
6. **Jangan membiarkan paket baterai atau mesin dekat dengan api atau suhu yang berlebihan.** Paparan api atau suhu di atas 130 °C dapat menyebabkan ledakan.
7. **Ikuti semua petunjuk pengisian daya dan jangan mengisi daya paket baterai atau mesin di luar rentang suhu yang ditentukan di panduan.** Mengisi daya secara tidak tepat atau pada suhu di luar rentang yang ditentukan dapat merusak baterai dan meningkatkan risiko kebakaran.

Servis

1. **Berikan mesin listrik untuk diperbaiki hanya kepada oleh teknisi yang berkualifikasi dengan menggunakan hanya suku cadang pengganti yang serupa.** Hal ini akan menjamin terjaganya keamanan mesin listrik.
2. **Jangan pernah memperbaiki paket baterai yang sudah rusak.** Perbaikan paket baterai harus dilakukan hanya oleh produsen atau penyedia servis resmi.
3. **Patuhi petunjuk pelumasan dan penggantian aksesoris.**

Peringatan keselamatan mesin penembak paku berdaya baterai

1. **Selalu asumsikan bahwa ada pengencang di dalam mesin.** Kelalaian penggunaan mesin penembak paku dapat mengakibatkan pengencang ditembakkan secara tidak sengaja serta menyebabkan cedera.
2. **Jangan arahkan peralatan ke arah diri Anda atau orang lain.** Jika pelatuk tidak sengaja ditekan, isi stapler akan ditembakkan dan dapat mengakibatkan cedera.
3. **Jangan menjalankan mesin kecuali mesin telah ditempelkan kuat-kuat ke benda kerja.** Jika mesin tidak menyentuh benda kerja, isi stapler mungkin saja tertancap tidak tepat pada target Anda.
4. **Lepaskan mesin dari sumber daya jika pengencang tersangkut di dalam mesin.** Saat melepas pengencang yang tersangkut, mesin penembak paku dapat aktif secara tiba-tiba jika masih tersambung ke sumber daya.

5. **Berhati-hatilah saat melepas isi stapler yang tersangkut.** Mekanisme mesin mungkin terkena tekanan dan isi staplernya mungkin saja ditembakkan dengan kuat saat melepaskan isi stapler yang tersangkut.
6. **Jangan menggunakan mesin penembak paku ini untuk mengencangkan kabel listrik.** Mesin ini tidak didesain untuk pemasangan kabel listrik dan dapat merusak insulasi kabel listrik, sehingga dapat mengakibatkan sengatan listrik atau bahaya kebakaran.
7. **Jauhkan tangan dan kaki dari area celah lontar.**
8. **Patuhi petunjuk pelumasan dan penggantian aksesoris.**
9. **Selalu lepas kartrid baterai sebelum melakukan pengisian isi stapler, penyetelan, pemeliharaan, pemeliharaan pada mesin, atau setelah pengoperasian selesai.**
10. **Pastikan tidak ada orang di sekitar Anda sebelum mengoperasikan mesin.** Jangan pernah mencoba menembakkan isi stapler dari dalam dan luar dinding secara bersamaan. Isi stapler mungkin saja menembus dinding dan/atau terperantel, sehingga menyebabkan bahaya fatal.
11. **Perhatikan pijakan dan jaga keseimbangan Anda terhadap mesin.** Pastikan tidak ada orang yang berada di bawah Anda saat bekerja di tempat yang tinggi.
12. **Jangan pernah menggunakan mesin pengendali pengencang dan bertanda dengan "Jangan digunakan pada scaffolding, tangga" untuk aplikasi tertentu seperti:**
 - saat mengganti salah satu lokasi pemasangan ke lokasi lain yang melibatkan penggunaan scaffolding, tangga pada bangunan, tangga jinjing atau konstruksi seperti tangga jinjing, misalnya kisi-kisi atap;
 - kotak tertutup atau peti kayu;
 - sistem keselamatan transportasi yang cocok misalnya kendaraan dan gerobak.
13. **Periksa dinding, langit-langit, lantai, atap dan sejenisnya dengan hati-hati untuk menghindari kemungkinan sengatan listrik, kebocoran gas, ledakan, dsb. yang disebabkan oleh isi stapler yang menusuk kabel listrik, saluran atau pipa gas.**
14. **Gunakan hanya isi stapler yang telah ditentukan dalam buku panduan ini.** Penggunaan isi stapler lain dapat menyebabkan malafungsi mesin.
15. **Jangan memodifikasi mesin atau mencoba menggunakannya untuk tujuan lain selain untuk menembakkan isi stapler.**
16. **Jangan mengoperasikan mesin tanpa isi stapler.** Hal tersebut akan mengurangi usia pakai mesin.
17. **Segera hentikan pengoperasian mesin jika Anda merasakan ada sesuatu yang salah atau tidak biasa pada mesin.**
18. **Jangan pernah menembakkan isi stapler ke material apa pun yang dapat menyebabkan isi stapler menusuk dan menembus material.**
19. **Jangan pernah menggerakkan pelatuk sakelar dan elemen kontak secara bersamaan hingga Anda siap untuk mengencangkan benda kerja.** Biarkan benda kerja untuk menekan elemen kontak. Jangan pernah menghambat mesin dengan menghalangi elemen kontak atau menekannya dengan tangan.
20. **Jangan pernah memodifikasi elemen kontak.** Periksa elemen kontak secara teratur untuk memastikan ketepatan pengoperasian mesin.
21. **Selalu lepas pengencang dari mesin jika tidak digunakan.**

SIMPAN PETUNJUK INI.

⚠️ PERINGATAN: JANGAN biarkan kenyamanan atau terbiasanya Anda dengan produk (karena penggunaan berulang) mengurangi kepatuhan yang ketat terhadap aturan keselamatan untuk produk yang terkait. **PENYALAHGUNAAN** atau kelalaian mematuhi kaidah keselamatan yang tertera dalam petunjuk ini dapat menyebabkan cedera badan serius.

Petunjuk keselamatan penting untuk kartrid baterai

1. **Sebelum menggunakan kartrid baterai, bacalah semua petunjuk dan penandaan pada (1) pengisi daya baterai, (2) baterai, dan (3) produk yang menggunakan baterai.**
2. **Jangan membongkar atau memodifikasi kartrid baterai.** Tindakan tersebut dapat menimbulkan api, panas berlebihan, atau ledakan.
3. **Jika waktu beroperasinya menjadi sangat singkat, segera hentikan penggunaan.** Hal tersebut dapat menimbulkan risiko panas berlebih, kemungkinan mengalami luka bakar atau bahkan terjadi ledakan.
4. **Jika elektrolit mengenai mata Anda, basuh dengan air bersih dan segera cari pertolongan medis.** Hal tersebut dapat mengakibatkan hilangnya kemampuan penglihatan Anda.
5. **Jangan menghubungkan terminal kartrid baterai:**
 - (1) **Jangan menyentuh terminal dengan bahan penghantar listrik apa pun.**
 - (2) **Hindari menyimpan kartrid baterai pada wadah yang berisi benda logam lain seperti paku, uang logam, dsb.**
 - (3) **Jangan membiarkan baterai terkena air atau kehujanan.**

Hubungan singkat baterai dapat menyebabkan aliran arus listrik yang besar, panas berlebih, kemungkinan mengalami luka bakar dan bahkan kerusakan pada baterai.
6. **Jangan menyimpan dan menggunakan mesin dan kartrid baterai pada lokasi dengan suhu yang bisa mencapai atau melebihi 50 °C (122 °F).**
7. **Jangan membuang kartrid baterai di tempat pembakaran sampah walaupun benar-benar rusak atau tidak bisa digunakan sama sekali.** Kartrid baterai bisa meledak jika terbakar.

8. **Jangan memaku, memotong, menghancurkan, melempar, menjatuhkan kartrid baterai, atau memukulkan benda keras ke kartrid baterai.** Tindakan tersebut dapat menimbulkan api, panas berlebih, atau ledakan.
9. **Jangan menggunakan baterai yang rusak.**
10. **Baterai litium-ion yang disertakan sesuai dengan persyaratan Perundang-an Makanan Berbahaya.** Harus ada pengawasan untuk pengangkutan komersial misalnya oleh pihak ketiga, ekspediter, persyaratan khusus terhadap pengemasan dan pelabelan. Diperlukan adanya konsultasi dengan ahli mengenai material berbahaya untuk persiapan barang yang akan dikirimkan. Perhatikan pula peraturan nasional yang lebih terperinci yang mungkin ada. Beri perekat atau tutupi bagian yang terbuka dan kemasi baterai dengan cara yang tidak akan menimbulkan pergeseran dalam pengemasan.
11. **Ketika membuang kartrid baterai, lepaskan dari mesin dan buang ke tempat yang aman. Patuhi peraturan setempat yang berkaitan dengan pembuangan baterai.**
12. **Gunakan baterai hanya dengan produk yang ditentukan oleh Makita.** Memasang baterai pada produk yang tidak sesuai dapat menyebabkan kebakaran, kelebihan panas, ledakan, atau kebocoran elektrolit.
13. **Jika mesin tidak digunakan dalam jangka waktu yang lama, baterai harus dilepas dari mesin.**
14. **Selama dan setelah digunakan, kartrid baterai mungkin menyimpan panas yang dapat menyebabkan luka bakar atau luka bakar suhu rendah.** Perhatikan cara memegang kartrid baterai yang masih panas.
15. **Jangan langsung menyentuh terminal mesin setelah digunakan karena suhunya mungkin cukup panas untuk menyebabkan luka bakar.**
16. **Jangan biarkan serpihan, debu, atau tanah menempel di terminal, lubang, dan alur kartrid baterai.** Hal tersebut dapat mengakibatkan kinerja buruk atau kerusakan mesin maupun kartrid baterai.
17. **Kecuali jika mesin mendukung penggunaan di dekat saluran listrik bertegangan tinggi, jangan gunakan kartrid baterai di dekat saluran listrik bertegangan tinggi.** Hal tersebut dapat mengakibatkan kegagalan fungsi atau kerusakan mesin maupun kartrid baterai.
18. **Jauhkan baterai dari jangkauan anak-anak.**

SIMPAN PETUNJUK INI.

⚠PERHATIAN: Gunakan baterai asli Makita. Penggunaan baterai Makita yang tidak asli, atau baterai yang sudah diubah, akan mengakibatkan baterai mudah terbakar, cedera dan kerusakan. Akan menghilangkan garansi Makita pada pengisi daya dan alat Makita.

Tip untuk menjaga agar umur pemakaian baterai maksimum

1. **Isi ulang kartrid baterai sebelum habis sama sekali.** Selalu hentikan penggunaan mesin dan ganti kartrid baterai jika Anda melihat bahwa mesin kurang tenaga.
2. **Jangan pernah mengisi ulang kartrid baterai yang sudah diisi penuh.** Pengisian ulang yang berlebih memperpendek umur pemakaian baterai.
3. **Isi ulang kartrid baterai pada suhu ruangan 10 °C - 40 °C.** Biarkan kartrid baterai yang panas menjadi dingin terlebih dahulu sebelum diisi ulang.
4. **Saat kartrid baterai tidak digunakan, lepaskan dari mesin atau pengisi daya.**
5. **Isi ulang daya kartrid baterai jika Anda tidak menggunakannya untuk jangka waktu yang lama (lebih dari enam bulan).**

DESKRIPSI FUNGSI

⚠PERHATIAN: Selalu pastikan bahwa mesin dimatikan dan kartrid baterai dilepas sebelum menyatel atau memeriksa kerja mesin.

Memasang atau melepas baterai

⚠PERHATIAN: Selalu matikan mesin sebelum memasang atau melepas kartrid baterai.

⚠PERHATIAN: Pegang mesin dan kartrid baterai kuat-kuat saat memasang atau melepas kartrid baterai. Kelalaian untuk memegang mesin dan kartrid baterai kuat-kuat bisa menyebabkan keduanya tergelincir dari tangan Anda dan mengakibatkan kerusakan pada mesin dan kartrid baterai dan cedera diri.

- **Gbr.1:** 1. Indikator berwarna merah 2. Tombol 3. Kartrid baterai

Untuk melepas kartrid baterai, geser dari mesin sambil menggeser tombol pada bagian depan kartrid.

Untuk memasang kartrid baterai, sejajarkan lidah kartrid baterai dengan alur pada rumah dan masukkan ke dalam tempatnya. Masukkan seluruhnya sampai terkunci pada tempatnya dan terdengar bunyi klik kecil. Jika Anda bisa melihat indikator berwarna merah pada sisi atas tombol, berarti tidak terkunci sepenuhnya.

⚠PERHATIAN: Selalu pasang kartrid baterai sepenuhnya sampai indikator berwarna merah tidak terlihat. Jika tidak, bisa terlepas dari mesin secara tidak sengaja, menyebabkan luka pada Anda atau orang di sekitar Anda.

⚠PERHATIAN: Jangan memasang kartrid baterai secara paksa. Jika kartrid tidak bergeser dengan mudah, berarti tidak dimasukkan dengan benar.

Sistem perlindungan mesin / baterai

Mesin ini dilengkapi dengan sistem perlindungan mesin/ baterai. Sistem ini memutuskan daya ke motor secara otomatis untuk memperpanjang umur pakai mesin dan baterai. Mesin akan berhenti secara otomatis saat dioperasikan jika mesin atau baterai mengalami salah satu dari kondisi-kondisi berikut ini:

Perlindungan kelebihan beban

Jika mesin/baterai digunakan dengan cara yang membuat mesin menarik arus tinggi berlebihan, mesin akan berhenti secara otomatis tanpa peringatan sebelumnya. Dalam situasi ini, matikan mesin dan hentikan pekerjaan yang menyebabkan mesin mengalami kelebihan beban. Kemudian, nyalakan mesin untuk kembali melanjutkan pekerjaan.

Perlindungan panas berlebih

Saat mesin/baterai terlalu panas, mesin akan berhenti secara otomatis. Dalam situasi ini, biarkan mesin/ baterai mendingin sebelum dinyalakan kembali.

Perlindungan pengisian daya berlebih

Ketika kapasitas baterai tidak cukup, mesin akan berhenti secara otomatis. Dalam kondisi ini, lepaskan baterai dari mesin dan isi ulang baterai.

Mengindikasikan kapasitas baterai yang tersisa

Tekan tombol pemeriksaan pada kartrid baterai untuk melihat kapasitas baterai yang tersisa. Lampu indikator menyala selama beberapa detik.

► **Gbr.2:** 1. Lampu indikator 2. Tombol pemeriksaan

Lampu indikator			Kapasitas yang tersisa
Menyala	Mati	Berkedip	
			75% hingga 100%
			50% hingga 75%
			25% hingga 50%
			0% hingga 25%
			Isi ulang baterai.
			Baterai mungkin sudah rusak.

CATATAN: Tergantung kondisi penggunaan dan suhu lingkungannya, penunjukkan mungkin saja sedikit berbeda dari kapasitas sebenarnya.

CATATAN: Lampu indikator pertama (ujung kiri) akan berkedip ketika sistem perlindungan mesin bekerja.

Tombol pengunci pelatuk

PERHATIAN: Sebelum memasukkan kartrid baterai pada mesin, pastikan picu saklar berfungsi dengan baik dan kembali ke posisi "OFF" saat dilepas.

PERHATIAN: Saat mesin tidak dioperasikan, tekan pengunci pelatuk dari sisi B untuk mengunci pelatuk sakelar di posisi OFF.

► **Gbr.3:** 1. Tombol pengunci pelatuk 2. Pelatuk sakelar

► **Gbr.4**

Untuk mencegah pelatuk sakelar tertarik secara tidak sengaja, tersedia tombol pengunci pelatuk.

Untuk menarik pelatuk sakelar, tekan tombol pengunci pelatuk dari sisi A.

Setelah selesai digunakan, selalu tekan tombol pengunci pelatuk dari sisi B.

Menyetel kedalaman pemasangan paku

PERINGATAN: Selalu pastikan bahwa jari Anda tidak berada pada pelatuk sakelar atau elemen kontak dan kartrid baterai dilepas sebelum menyetel kedalaman pemakuan.

Kedalaman paku dapat disetel dengan memutar penyetel pada mesin. Paku bergerak lebih dalam saat Anda memutar penyetel ke arah A yang ditunjukkan dalam gambar, dan lebih dangkal ke arah B, dalam kisaran hingga 2,5 mm.

► **Gbr.5:** 1. Penyetel

► **Gbr.6:** 1. Terlalu dalam 2. Kedalaman yang tepat 3. Terlalu dangkal

Menyalakan lampu

PERHATIAN: Jangan melihat lampu atau sumber cahaya secara langsung.

Tarik pelatuk sakelar atau jungkitkan elemen kontak untuk menyalakan lampu. Lampu tetap menyala hingga 60 detik selama pelatuk sakelar ditarik atau elemen kontak dijungkitkan. Lampu akan padam kira-kira 10 detik setelah melepas pelatuk sakelar dan elemen kontak.

► **Gbr.7:** 1. Lampu

PEMBERITAHUAN: Gunakan kain kering untuk mengelap kotoran dari lensa lampu. Hati-hati jangan sampai menggores lensa lampu, atau hal tersebut dapat menurunkan tingkat penerangannya.

PEMBERITAHUAN: Bahkan jika lampu menyala ketika sisa daya baterai menurun, pemasang paku tidak dapat menembakkan paku. Pada kasus seperti ini, lakukan pengisian daya kartrid baterai.

PEMBERITAHUAN: Saat mesin mengalami kelebihan panas, lampu akan berkedip. Dalam keadaan ini, lepaskan pelatuk sakelar dan elemen kontak, dan kemudian dinginkan mesin/baterai sebelum mengoperasikannya kembali.

PEMBERITAHUAN: Lampu mulai berkedip jika pemasang paku mendeteksi kesalahan selama mengarahkan paku. Jika ini terjadi, bawa pemasang paku tersebut ke Pusat Layanan Pabrik.

PERAKITAN

⚠PERHATIAN: Selalu pastikan bahwa jari Anda tidak berada pada pelatuk sakelar atau elemen kontak dan kartrid baterai dilepas sebelum melakukan apa pun pada mesin penembak paku.

Memuat atau membongkar paku

⚠PERHATIAN: Selalu pastikan bahwa jari Anda tidak berada pada pelatuk dan kartrid baterai sudah dilepaskan sebelum mengisi paku.

⚠PERHATIAN: Jangan tiba-tiba menggeser penutup geser pada pemasang paku yang sudah terisi dengan paku. Menjatuhkan paku secara tidak sengaja khususnya ketika bekerja pada tempat yang tinggi dapat menyebabkan cedera fisik.

⚠PERHATIAN: Muat paku dengan arah yang benar. Memuat dengan arah yang salah dapat menyebabkan keausan diri dan merusak mata obeng serta merusak bagian lain.

⚠PERHATIAN: Jangan menggunakan strip paku yang bentuknya cacat. Hanya gunakan paku yang ditentukan pada buku panduan ini. Menggunakan paku selain yang ditentukan dapat menyebabkan paku tersangkut dan merusak mesin penembak paku.

1. Tekan tuas kunci dan buka penutup geser magasin.

► **Gbr.8:** 1. Tuas kunci 2. Penutup geser 3. Magasin

2. Setel strip paku sehingga ujung paku menyentuh bagian bawah magasin dan geser strip paku menuju pemandu obeng.

► **Gbr.9:** 1. Paku 2. Penutup geser 3. Pemandu obeng

3. Kembalikan penutup geser ke posisi awal sampai tuas kunci menguncinya.

Untuk mengangkat paku, tekan tuas kunci dan geser penutup gesernya. Keluarkan paku dari magasin.

Adaptor selang

⚠PERHATIAN: Selalu pastikan jari Anda tidak berada pada pelatuk sakelar atau elemen kontak dan kartrid baterai terlepas sebelum memasang adaptor selang.

Saat menembakkan paku pada material dengan permukaan yang rapuh, gunakan adaptor selang. Letakkan adaptor di ujung runcing pemandu obeng. Anda dapat menyimpan adaptor selang di tempat yang berada di belakang magasin agar tidak hilang.

► **Gbr.10:** 1. Adaptor selang 2. Pemandu obeng 3. Penahan

Kait

⚠PERHATIAN: Ketika memasang kait, selalu kencangkan sekrup kuat-kuat. Jika tidak, kait mungkin akan terlepas dari alat dan mengakibatkan cedera badan.

⚠PERHATIAN: Gunakan komponen penggantung/pemasangan untuk tujuan yang dimaksudkan saja. Menggunakan untuk tujuan yang tidak dimaksudkan dapat mengakibatkan kecelakaan atau cedera diri.

⚠PERHATIAN: Jangan menggantung kait dari ikat pinggang. Penembak paku yang jatuh akibat kait tiba-tiba terlepas dari tempatnya dapat menyebabkan tembakan paku yang tidak disengaja dan mengakibatkan cedera.

► **Gbr.11**

Kait dapat digunakan untuk menggantung mesin untuk sementara waktu. Kait ini dapat dipasang pada salah satu sisi mesin.

Untuk memasang kait, masukkan kait ke dalam alur pada salah satu sisi rumahan mesin dan kemudian kencangkan dengan sekrup. Untuk melepaskannya, kendurkan sekrup dan kemudian tarik kait keluar.

► **Gbr.12:** 1. Alur 2. Kait 3. Sekrup

Penyimpanan kunci L

Saat tidak digunakan, simpan kunci L seperti terlihat pada gambar agar tidak hilang.

► **Gbr.13:** 1. Kunci L

PENGUNAAN

Menguji sistem keamanan

⚠️PERINGATAN: Pastikan bahwa semua sistem keselamatan berfungsi dengan baik sebelum memulai pengoperasian. Kelalaian untuk melakukan hal ini dapat menyebabkan cedera.

- **Gbr.14:** 1. Tombol pengunci pelatuk 2. Pelatuk sakelar 3. Elemen kontak 4. Magasin

Uji sistem keamanan sebagai berikut untuk kemungkinan kesalahan sebelum pengoperasian.

1. Keluarkan paku dari mesin dan biarkan magasin terbuka.
2. Pasang kartrid baterai dan lepas kunci pemicunya.
3. Tarik pelatuk sakelar tanpa menyentuhkan elemen kontak ke material.
4. Sentuhkan elemen kontak ke material, tanpa menarik pelatuk sakelar.

Jika mesin beroperasi dalam kondisi seperti nomor 3 atau 4 yang disebutkan di atas, berarti sistem keamanan mesin mengalami masalah. Segera hentikan pengoperasian mesin dan tanyakan kepada pusat servis setempat.

Memasang paku

⚠️PERINGATAN: Lanjutkan untuk meletakkan elemen kontak dengan kuat pada material hingga paku terpasang sepenuhnya. Tembakan yang tidak disengaja dapat menyebabkan cedera.

⚠️PERHATIAN: Pegang mesin kuat-kuat selama penggunaan.

1. Lepaskan kunci pemicunya.
 2. Tempelkan elemen kontak secara mendatar pada material.
 3. Tarik pelatuk sakelar sepenuhnya untuk memasang paku.
 4. Untuk memasang paku selanjutnya, lepaskan jari Anda dari pelatuk sakelar, kemudian ulangi langkah 2 dan 3 di atas.
- **Gbr.15:** 1. Pelatuk sakelar 2. Elemen kontak

Anda juga dapat memasang paku saat menarik mesin ke area selanjutnya dengan posisi elemen kontak ditekan ke material dan saat menarik pelatuk sakelar.

- **Gbr.16**

Jika kepala paku berada di atas permukaan benda kerja, pasang paku sambil menahan kepala pemasang paku dengan erat pada benda kerja.

- **Gbr.17**

CATATAN: Jika kepala paku masih berada di atas benda kerja bahkan setelah Anda menahan kepala paku, material mungkin tidak cocok untuk pemasangan paku tersebut. Melanjutkan penggunaan mesin pemasangan paku pada material seperti itu dapat menyebabkan rusaknya obeng pada pemasang paku dan/atau kemacetan pada pemasang paku.

Mekanisme tembak antikereng

⚠️PERINGATAN: Selalu pastikan bahwa jari Anda tidak berada pada pelatuk sakelar atau elemen kontak dan kartrid baterai sudah dilepaskan sebelum mengisi pemasang paku.

Jika tidak ada strip paku yang tersisa di dalam magasin, pelatuk sakelar tidak dapat ditarik lagi. Jika hal ini terjadi, masukkan strip paku baru ke dalam magasin. Pelatuk sakelar dapat ditarik kembali.

Memeriksa paku yang tersisa

Anda dapat memeriksa jumlah paku yang tersisa melalui jendela indikator. Indikator berwarna merah bergerak ke arah bukaan tembak karena jumlah paku yang tersisa semakin sedikit.

- **Gbr.18:** 1. Jendela lihat 2. Indikator

Membuang paku yang tersangkut

⚠️PERINGATAN: Selalu pastikan bahwa pelatuk sudah dilepaskan, dan kartrid baterai dan paku sudah dikeluarkan sebelum membuang paku yang tersangkut.

⚠️PERHATIAN: Jangan membuang paku yang tersangkut dengan tangan kosong. Paku terlempar dari magasin dan mengakibatkan cedera.

Lepas baut kepala segi enam pada pemandu obeng menggunakan kunci L. Ambil paku yang tersangkut dari alur panduan paku dengan obeng bermata celah. Kencangkan pemandu obeng dengan baut kepala segi enam.

- **Gbr.19:** 1. Pemandu obeng 2. Baut kepala segi enam

CATATAN: Setelah mengencangkan pemandu obeng, selalu pastikan bahwa pemandu obeng berfungsi dengan benar. Jika tidak, lepaskan baut kepala segi enam dan pasang kembali pemandu obeng tersebut.

PERAWATAN

⚠️ PERHATIAN: Selalu pastikan bahwa mesin dimatikan dan kartrid baterai dilepas sebelum melakukan pemeriksaan atau perawatan.

PEMBERITAHUAN: Jangan sekali-kali menggunakan bensin, tiner, alkohol, atau bahan sejenisnya. Penggunaan bahan demikian dapat menyebabkan perubahan warna, perubahan bentuk atau timbulnya retakan.

Untuk menjaga KEAMANAN dan KEANDALAN mesin, perbaikan, perawatan atau penyetelan lainnya harus dilakukan oleh Pusat Layanan Resmi atau Pabrik Makita; selalu gunakan suku cadang pengganti buatan Makita.

Mengganti pemandu obeng

Aksesori pilihan

Ganti pemandu obeng standar yang disertakan dengan pemandu obeng opsional yang lebih cocok untuk mengencangkan kayu lunak.

1. Lepas baut kepala segi enam pada pemandu obeng menggunakan kunci L.
► **Gbr.20:** 1. Baut kepala segi enam
2. Tarik ke bawah pemandu obeng standar yang disertakan.
► **Gbr.21:** 1. Pemandu obeng standar yang disertakan
3. Pasang pemandu obeng opsional dengan mendorongnya ke atas ke dalam slot pemandu.
► **Gbr.22:** 1. Pemandu obeng opsional 2. Slot pemandu
4. Kencangkan pemandu obeng opsional dengan baut kepala segi enam.
► **Gbr.23:** 1. Baut kepala segi enam

AKSESORI PILIHAN

⚠️ PERHATIAN: Dianjurkan untuk menggunakan aksesori atau perangkat tambahan ini dengan mesin Makita Anda yang ditentukan dalam petunjuk ini. Penggunaan aksesori atau perangkat tambahan lain bisa menyebabkan risiko cedera pada manusia. Hanya gunakan aksesori atau perangkat tambahan sesuai dengan peruntukannya.

Jika Anda memerlukan bantuan lebih rinci berkenaan dengan aksesori ini, tanyakan pada Pusat Layanan Makita terdekat.

- Paku
- Kaca mata pelindung
- Pemandu obeng (untuk mengencangkan kayu lunak)
- Baterai dan pengisi daya asli buatan Makita

CATATAN: Beberapa item dalam daftar tersebut mungkin sudah termasuk dalam paket mesin sebagai aksesori standar. Hal tersebut dapat berbeda dari satu negara ke negara lainnya.

SPEKIFIKASI

Model:	FN001G
Saiz paku	18Ga x 15, 20, 25, 30, 35, 40 mm
Kapasiti lelopak paku	100 buah.
Dimensi dengan BL4025, tanpa cangkuk (P x L x T)	265 mm x 86 mm x 243 mm
Voltan terkadar	D.C. 36 V - 40 V maks
Berat bersih	2.6 - 3.2 kg

- Disebabkan program penyelidikan dan pembangunan kami yang berterusan, spesifikasi yang terkandung di dalam ini adalah tertakluk kepada perubahan tanpa notis.
- Spesifikasi dan kartrij bateri mungkin berbeza mengikut negara.
- Berat mungkin berbeza bergantung kepada pemasangan, termasuk kartrij bateri. Kombinasi paling ringan dan paling berat, mengikut Prosedur EPTA 01/2014, ditunjukkan di dalam jadual.

Kartrij bateri dan pengecas yang boleh digunakan

Kartrij bateri	BL4020* / BL4025* / BL4040 / BL4050F * : Bateri yang disyorkan
Pengecas	DC40RA / DC40RB / DC40RC

- Sesetengah kartrij bateri dan pengecas yang disenaraikan di atas mungkin tidak tersedia bergantung pada kawasan kediaman anda.

⚠️ AMARAN: Gunakan hanya kartrij bateri dan pengecas yang disenaraikan di atas. Penggunaan mana-mana kartrij bateri dan pengecas yang lain mungkin menyebabkan kecederaan dan/atau kebakaran.

Simbol

Berikut menunjukkan simbol-simbol yang boleh digunakan untuk alat ini. Pastikan anda memahami maksudnya sebelum menggunakan.



Baca manual arahan.



Hanya untuk negara-negara EU
Jangan lupuskan peralatan elektrik atau pek bateri bersama-sama bahan sisa rumah!
Dalam mematuhi Arahan-Arahan Eropah mengenai Sisa Peralatan Elektrik dan Elektronik dan Bateri dan Akumulator dan Sisa Bateri dan Akumulator serta pelaksanaan mereka mengikut undang-undang negara, peralatan elektrik dan bateri dan pek-pek bateri yang telah mencapai akhir hayatnya mesti dikumpul secara berasingan dan dikembalikan ke kemudahan kitar semula yang bersesuaian dengan alam sekitar.

Tujuan penggunaan

Alat ini bertujuan untuk mengikat kerja dalaman dan perabot.

AMARAN KESELAMATAN

Amaran keselamatan umum alat kuasa

⚠️ AMARAN: Baca semua amaran keselamatan, arahan, ilustrasi dan spesifikasi yang disediakan dengan alat kuasa ini. Kegagalan mengikut amaran dan arahan boleh menyebabkan kejutan elektrik, kebakaran dan/atau kecederaan serius.

Simpan semua amaran dan arahan untuk rujukan masa depan.

Istilah "alat kuasa" dalam amaran merujuk kepada alat kuasa yang menggunakan tenaga elektrik (kabel) atau alat kuasa yang menggunakan bateri (tanpa kord).

Keselamatan kawasan kerja

1. **Pastikan kawasan kerja bersih dan terang.** Kawasan berselerak atau gelap mengundang kemalangan.
2. **Jangan kendalikan alat kuasa dalam keadaan yang mudah meletup, seperti dalam kehadiran cecair, gas atau habuk yang mudah terbakar.** Alat kuasa menghasilkan percikan api yang boleh menyalakan debu atau wasap.
3. **Jauhkan kanak-kanak dan orang ramai semasa mengendalikan alat kuasa.** Gangguan boleh menyebabkan anda hilang kawalan.

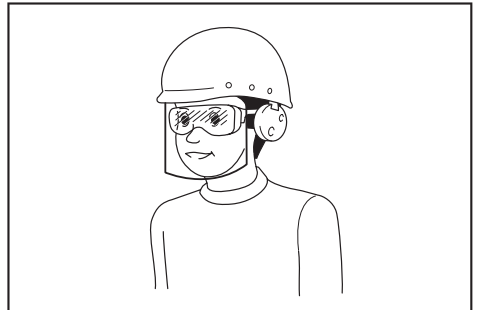
Keselamatan elektrik

1. **Palam alat kuasa mesti sepadan dengan soket. Jangan ubah suai palam dalam apa cara sekalipun. Jangan gunakan sebarang palam penyesuai dengan alat kuasa terbumi.** Palam yang tidak diubah suai dan soket yang sepadan akan mengurangkan risiko kejutan elektrik.
2. **Elakkan sentuhan badan dengan permukaan terbumi, seperti paip, radiator, dapur dan peti sejuk.** Terdapat peningkatan risiko kejutan elektrik jika elektrik terbumi terkena badan anda.
3. **Jangan biarkan alat kuasa terkena hujan atau basah.** Air yang memasuki alat kuasa akan meningkatkan risiko kejutan elektrik.
4. **Jangan salah gunakan kord. Jangan gunakan kord untuk membawa, menarik atau mencabut palam alat kuasa. Jauhkan kord dari haba, minyak, bucu tajam atau bahagian yang bergerak.** Kord yang rosak atau tersimpul meningkatkan risiko kejutan elektrik.
5. **Semasa mengendalikan alat kuasa di luar, gunakan kord sambungan yang bersesuaian untuk kegunaan luar.** Penggunaan kord yang sesuai untuk kegunaan luar mengurangkan risiko kejutan elektrik.
6. **Sekiranya pengendalian alat kuasa di lokasi lembap tidak dapat dielakkan, gunakan bekalan peranti arus sisa (RCD) yang dilindungi.** Penggunaan RCD mengurangkan risiko kejutan elektrik.
7. **Alat kuasa boleh menghasilkan medan elektromagnetik (EMF) yang tidak berbahaya kepada pengguna.** Walau bagaimanapun, pengguna perentak jantung atau peranti perubatan yang serupa harus menghubungi pembuat peranti mereka dan/atau doktor untuk nasihat sebelum mengendalikan alat kuasa ini.

Keselamatan diri

1. **Sentiasa berwaspada, perhatikan apa yang anda lakukan dan guna akal budi semasa mengendalikan alat kuasa. Jangan gunakan alat kuasa semasa anda letih atau di bawah pengaruh dadah, alkohol atau ubat.** Kelelahan seketika semasa mengendalikan alat kuasa boleh menyebabkan kecederaan diri yang serius.
2. **Gunakan peralatan pelindung diri. Sentiasa pakai pelindung mata.** Peralatan pelindung seperti topeng debu, kasut keselamatan tak mudah tergelincir, topi keselamatan atau pelindung pendengaran yang digunakan untuk keadaan yang sesuai akan mengurangkan kecederaan diri.
3. **Elakkan permulaan yang tidak disengajakan. Pastikan suis ditutup sebelum menyambung kepada sumber kuasa dan/atau pek bateri, semasa mengangkat atau membawa alat.** Membawa alat kuasa dengan jari anda pada suis atau mentenagakan alat kuasa dengan suis pada kedudukan hidup mengundang kemalangan.
4. **Alihkan sebarang kunci atau sepana pelaras sebelum menghidupkan alat kuasa.** Sepana atau kunci yang ditinggalkan pada bahagian berputar alat kuasa boleh menyebabkan kecederaan diri.

5. **Jangan lampau jangkau. Jaga pijakan dan keseimbangan yang betul pada setiap masa.** Ini membolehkan kawalan alat kuasa yang lebih baik dalam situasi yang tidak dijangka.
6. **Berpakaian dengan betul. Jangan pakai pakaian yang longgar atau barang kemas. Jauhkan rambut dan pakaian anda dari bahagian yang bergerak.** Pakaian longgar, barang kemas atau rambut yang panjang boleh terperangkap dalam bahagian yang bergerak.
7. **Jika peranti disediakan untuk sambungan kemudahan pengekstrakan dan pengumpulan habuk, pastikan ia disambung dan digunakan dengan betul.** Penggunaan pengumpulan habuk boleh mengurangkan bahaya berkaitan habuk.
8. **Jangan biarkan kebiasaan daripada kekerapan penggunaan alat membuatkan anda berpuas hati dan mengabaikan prinsip keselamatan alat.** Kecuaian boleh menyebabkan kecederaan serius dalam sekelip mata.
9. **Sentiasa pakai gogal pelindung untuk melindungi mata anda daripada kecederaan apabila menggunakan alat kuasa. Gogal mestilah mematuhi ANSI Z87.1 di AS, EN 166 di Eropah, atau AS/NZS 1336 di Australia/New Zealand. Di Australia/New Zealand, undang-undang mengarahkan untuk memakai pelindung muka bagi melindungi muka anda, juga.**



Menjadi tanggungjawab majikan untuk menguatkuasa penggunaan peralatan perlindungan keselamatan yang bersesuaian oleh pengendali alat dan oleh orang lain dalam kawasan bekerja semasa.

Penggunaan dan penjagaan alat kuasa

1. **Jangan gunakan alat kuasa dengan kasar. Gunakan alat kuasa yang betul untuk penggunaan anda.** Alat kuasa yang betul akan melakukan tugas dengan lebih baik dan lebih selamat pada kadar mana ia direka cipta.
2. **Jangan gunakan alat kuasa jika suis tidak berfungsi untuk menghidupkan dan mematikannya.** Alat kuasa yang tidak dapat dikawal dengan suis adalah berbahaya dan mesti dibaiki.

3. **Cabut palam dari sumber kuasa dan/atau keluarkan pek bateri, jika boleh ditanggalkan, dari alat kuasa sebelum membuat sebarang pelarasan, menukar aksesori, atau menyimpan alat kuasa.** Langkah-langkah keselamatan pencegahan sedemikian mengurangkan risiko memulakan alat kuasa secara tidak sengaja.
4. **Simpan alat kuasa yang tidak digunakan jauh dari jangkauan kanak-kanak dan jangan biarkan orang yang tidak biasa dengan alat kuasa atau arahan ini untuk mengendalikan alat kuasa.** Alat kuasa adalah berbahaya di tangan pengguna yang tidak terlatih.
5. **Menyelenggara alat kuasa dan aksesori. Periksa salah jajaran atau ikatan pada bahagian yang bergerak, bahagian yang pecah dan apa-apa keadaan lain yang boleh menjejaskan operasi alat kuasa. Jika rosak, baiki alat kuasa sebelum digunakan.** Kebanyakan kemalangan adalah disebabkan oleh alat kuasa yang tidak dijaga dengan baik.
6. **Pastikan alat pemotong tajam dan bersih.** Alat pemotong yang dijaga dengan betul dengan hujung pemotong yang tajam mempunyai kemungkinan yang rendah untuk terikat dan lebih mudah dikendalikan.
7. **Gunakan alat kuasa, aksesori dan alat bit dan sebagainya mengikut arahan ini dengan mengambil kira keadaan kerja dan kerja yang perlu dilakukan.** Penggunaan alat kuasa untuk operasi yang berbeza dari yang dimaksudkan boleh menyebabkan keadaan berbahaya.
8. **Pastikan pemegang dan permukaan pegangan kering, bersih dan bebas dari minyak dan gris.** Pemegang dan permukaan pegangan yang licin tidak membolehkan pengendalian dan kawalan selamat bagi alat dalam situasi yang tidak dijangka.
9. **Apabila menggunakan alat, jangan pakai sarung tangan kerja kain yang mungkin boleh kusut.** Kekusutan sarung tangan kerja kain pada bahagian yang bergerak boleh menyebabkan kecederaan diri.

Penggunaan dan penjagaan alat bateri

1. **Cas semula dengan pengecas yang ditentukan oleh pengeluar sahaja.** Pengecas yang sesuai untuk satu jenis pek bateri mungkin menimbulkan risiko kebakaran apabila digunakan dengan pek bateri lain.
2. **Gunakan alat kuasa dengan pek bateri yang ditentukan secara khusus sahaja.** Penggunaan mana-mana pek bateri lain mungkin menimbulkan risiko kecederaan dan kebakaran.
3. **Apabila pek bateri tidak digunakan, jauhkan daripada objek besi lain, seperti klip kertas, duit syiling, paku, skru atau objek besi kecil lain, yang boleh membuat sambungan dari satu terminal ke yang lain.** Memintas terminal bateri bersama-sama mungkin menyebabkan lecuran atau kebakaran.

4. **Di bawah keadaan kasar, cecair mungkin dikeluarkan daripada bateri; elakkan sentuhan. Jika tersentuh secara tidak sengaja, siram dengan air. Jika cecair terkena mata, dapatkan bantuan perubatan di samping siraman air.** Cecair yang dikeluarkan dari bateri mungkin menyebabkan kegatalan atau lecuran.
5. **Jangan gunakan pek bateri atau alat yang rosak atau diubah suai.** Bateri yang rosak atau diubah suai mungkin menunjukkan perilaku yang tidak dijangka menyebabkan kebakaran, letupan atau risiko kecederaan.
6. **Jangan dedahkan pek bateri atau alat kepada api atau suhu yang berlebihan.** Pendedahan kepada api atau suhu melebihi 130 °C mungkin menyebabkan letupan.
7. **Ikut semua arahan pengecasan dan jangan cas pek bateri atau alat di luar julat suhu yang ditetapkan dalam arahan.** Mengecas dengan tidak betul atau pada suhu di luar julat yang dinyatakan mungkin merosakkan bateri dan meningkatkan risiko kebakaran.

Servis

1. **Pastikan alat kuasa anda diservis oleh orang yang berkelayakan dengan hanya menggunakan alat ganti yang sama.** Ini akan memastikan keselamatan alat kuasa dapat dikekalkan.
2. **Jangan servis pek bateri yang telah rosak.** Servis pek bateri hanya boleh dilakukan oleh pengeluar atau penyedia servis yang sah.
3. **Ikut arahan untuk melincir dan menukar aksesori.**

Amaran keselamatan pemaku tanpa kord

1. **Sentiasa anggap yang alat mengandungi kancing.** Mengendalikan pemaku dengan cuai boleh mengakibatkan tembakkan pengikat yang tidak dijangka serta kecederaan peribadi.
2. **Jangan halakan alat ke arah diri anda atau sesiapa yang berhampiran.** Cetusan yang tidak dijangka akan melepaskan kancing yang membawa kepada kecederaan.
3. **Jangan gerakkan alat kecuali alat tersebut diletakkan dengan teguh pada hasil kerja.** Jika alat tidak bersentuhan dengan hasil kerja, kancing mungkin melencong jauh dari sasaran anda.
4. **Putuskan sambungan alat dari sumber kuasa apabila kancing tersekat di dalam alat.** Ketika mengeluarkan pengikat yang tersekat, pemaku mungkin diaktifkan secara tidak sengaja jika palamannya dipasang.
5. **Guna dengan berhati-hati ketika mengeluarkan kancing yang tersekat.** Mekanisme mungkin berada bawah pemampatan dan kancing mungkin terkeluar secara paksa ketika cuba melepaskan keadaan tersekat tersebut.
6. **Jangan guna pemaku ini untuk mengikat kabel elektrik.** Ia tidak direka bagi tujuan pemasangan kabel elektrik dan mungkin merosakkan penempatan kabel elektrik yang akan menyebabkan renjatan elektrik atau bahaya kebakaran.

7. Jauhkan tangan dan kaki dari kawasan port pelepasan.
8. Ikut arahan untuk melincir dan menukar aksesori.
9. Sentiasa keluarkan kartrij bateri sebelum mengisi kancing, pelarasan, pemeriksaan, penyelenggaraan atau selepas operasi selesai.
10. Pastikan tiada sesiapa berada berhampiran sebelum operasi. Jangan sesekali cuba mendorong kancing dari kedua-dua bahagian dalam dan luar dinding pada masa yang sama. Kancing mungkin terlerai dan/atau terpelanting, menimbulkan bahaya yang serius.
11. Perhatikan langkah anda dan kekalkanimbangan anda bersama alat. Pastikan tiada sesiapa di bawah semasa bekerja di tempat yang tinggi.
12. Jangan sesekali menggunakan alat pemandu pengikat yang bertanda dengan simbol "Jangan gunakan di atas perancah, tangga" untuk penggunaan khusus, sebagai contoh:
 - ketika menukar satu lokasi memandu kepada yang lain melibatkan penggunaan perancah, tangga atau binaan sama seperti tangga, contohnya tekap bumbung;
 - menutup kotak dan tong;
 - memasang sistem keselamatan pengangkutan, contohnya pada kenderaan dan gerabak.
13. Periksa dinding, siling, lantai, bumbung dan seumpamanya dengan teliti bagi mengelakkan kemungkinan renjatan elektrik, kebocoran gas, letupan, dll. yang berpunca daripada tersadung wayar hidup, pembuluh atau paip gas.
14. Guna hanya kancing yang dinyatakan dalam manual ini. Penggunaan kancing lain boleh menyebabkan pincang tugas alat tersebut.
15. Jangan usik alat atau cuba menggunakannya bagi tujuan selain daripada memacu kancing.
16. Jangan kendalikan alat tanpa kancing. Ia memendekkan hayat servis alat tersebut.
17. Berhenti memacu operasi dengan segera jika anda perasan ada sesuatu yang tidak kena atau luar dari kebiasaan dengan alat tersebut.
18. Jangan sekali-kali mengancing pada bahan yang mungkin tidak membolehkan kancing dicucuk dan terpelanting sebagai peluncur.
19. Jangan gerakan pemacu suis dan unsur sentuhan pada masa yang sama sehingga anda bersedia untuk mengancing hasil kerja. Benarkan hasil kerja untuk menekan unsur sentuhan. Jangan sekali-kali melawan tujuannya dengan mengetatkan tui keselamatan balik atau dengan menekan menggunakan tangan.
20. Jangan sekali-kali menghentak dengan unsur sentuhan. Periksa unsur sentuhan dengan kerap bagi tujuan operasi yang betul.
21. Sentiasa tanggalkan pengancing daripada alat apabila tidak digunakan.

⚠AMARAN: JANGAN biarkan keselesaan atau kebiasaan dengan produk (diperoleh dari kegunaan berulang) menggantikan pematuhan ketat terhadap peraturan keselamatan untuk produk yang ditetapkan. SALAH GUNA atau kegagalan mematuhi peraturan-peraturan keselamatan yang dinyatakan dalam manual arahan ini boleh menyebabkan kecederaan diri yang serius.

Arahan keselamatan penting untuk kartrij bateri

1. Sebelum menggunakan kartrij bateri, baca semua arahan dan tanda amaran pada (1) pengecas bateri, (2) bateri, dan (3) produk menggunakan bateri.
2. Jangan buka atau cabut kartrij bateri. Ia boleh mengakibatkan kebakaran, haba berlebihan, atau letupan.
3. Jika masa operasi menjadi sangat pendek, berhenti operasi serta merta. Ia mungkin menyebabkan risiko pemanasan lampau, melecur bahkan letupan.
4. Jika elektrolit masuk ke dalam mata anda, bilas mata dengan air jernih dan dapatkan rawatan perubatan serta merta. Ia mungkin menyebabkan kehilangan penglihatan.
5. Jangan pintaskan kartrij bateri:
 - (1) Jangan sentuh terminal dengan bahan berkonduksi.
 - (2) Elakkan menyimpan kartrij bateri dalam bekas bersama-sama objek besi lain seperti paku, duit syiling, dll.
 - (3) Jangan dedahkan kartrij bateri kepada air atau hujan.
Pintasan bateri boleh menyebabkan aliran kuasa yang besar, pemanasan lampau, melecur dan juga kerosakan.
6. Jangan simpan dan gunakan alat dan kartrij bateri di lokasi yang suhunya mungkin mencapai atau melebihi 50 °C (122 °F).
7. Jangan bakar kartrij bateri walaupun jika ia rosak teruk atau haus sepenuhnya. Kartrij bateri boleh meletup dalam kebakaran.
8. Jangan paku, potong, pecahkan, buang, jatuhkan kartrij bateri, atau tekan objek keras pada kartrij bateri. Perbuatan sedemikian boleh mengakibatkan kebakaran, haba berlebihan, atau letupan.
9. Jangan gunakan bateri yang rosak.

SIMPAN ARAHAN INI.

10. **Bateri litium ion yang terkandung adalah tertakluk kepada keperluan Perundangan Barangan Berbahaya.**
Bagi pengangkutan komersil cth. oleh pihak ketiga, ejen penghantar, keperluan khas pada pembungkusan dan pelabelan mestilah diperhatikan.
Bagi persediaan item yang dihantar, berunding dengan pakar bahan berbahaya adalah diperlukan. Sila juga perhatikan sebolehnya peraturan kebangsaan yang lebih terperinci. Lekatkan atau balut bahagian terbuka dan pek bateri supaya ia tidak bergerak dalam pembungkusan.
11. **Apabila melupuskan kartrij bateri, keluarkan ia daripada alat dan lupuskan ia di tempat selamat. Ikut peraturan tempatan anda mengenai pelupusan bateri.**
12. **Gunakan bateri hanya dengan produk yang ditentukan oleh Makita.** Memasang bateri kepada produk yang tidak patuh mungkin menyebabkan kebakaran, pemanasan lampau, atau kebocoran elektrolit.
13. **Jika alat tidak digunakan untuk tempoh masa yang lama, bateri mesti dikeluarkan daripada alat.**
14. **Semasa dan selepas penggunaan, kartrij bateri mungkin ada haba yang boleh menyebabkan terbakar atau suhu rendah terbakar. Beri perhatian kepada pengendalian kartrij bateri yang panas.**
15. **Jangan sentuh terminal alat itu selepas digunakan kerana ia mungkin panas menyebabkan terbakar.**
16. **Jangan biarkan cip, habuk, atau tanah terperangkap ke dalam terminal, lubang, dan alur kartrij bateri.** Ia mungkin menyebabkan prestasi atau pecahan yang buruk dari alat atau kartrij bateri.
17. **Melainkan alat ini menyokong penggunaan yang hampir dari talian kuasa elektrik voltan tinggi, jangan gunakan kartrij bateri berhampiran talian kuasa elektrik voltan tinggi.** Ia mungkin menyebabkan kerosakan atau pecah pada alat atau kartrij bateri.
18. **Jauhkan bateri daripada kanak-kanak.**

SIMPAN ARAHAN INI.

⚠PERHATIAN: Hanya gunakan bateri asli Makita. Penggunaan bateri tidak asli Makita, atau bateri yang telah diubah suai, mungkin menyebabkan bateri meletup menyebabkan kebakaran, kecederaan diri dan kerosakan. Ia juga membatalkan jaminan Makita untuk alat Makita dan pengecas.

Tip untuk mengekalkan hayat bateri maksimum

1. **Cas kartrij bateri sebelum ternyahcas sepenuhnya. Sentiasa hentikan operasi alat dan cas kartrij bateri apabila anda menyedari kurang kuasa alat.**
2. **Jangan cas semula kartrij bateri yang dicas sepenuhnya. Terlebih cas memendekkan hayat servis bateri.**
3. **Cas kartrij bateri dengan suhu bilik pada 10 °C - 40 °C (50 °F - 104 °F). Biarkan kartrij bateri yang panas menyejuk sebelum mengecasnya.**
4. **Apabila tidak menggunakan kartrij bateri, tanggalkannya dari alat atau pengecas.**
5. **Cas kartrij bateri jika anda tidak gunakannya untuk tempoh yang lama (lebih daripada enam bulan).**

KETERANGAN FUNGSI

⚠PERHATIAN: Sentiasa pastikan alat dimatikan dan kartrij bateri dikeluarkan sebelum menyelaraskan atau menyemak fungsi pada alat.

Memasang atau mengeluarkan kartrij bateri

⚠PERHATIAN: Sentiasa matikan alat sebelum memasang atau mengeluarkan kartrij bateri.

⚠PERHATIAN: Pegang alat dan kartrij bateri dengan kukuh apabila memasang atau mengeluarkan kartrij bateri. Gagal untuk memegang alat dan kartrij bateri dengan kukuh mungkin menyebabkan mereka terlepas daripada tangan anda dan mengakibatkan kerosakan kepada alat dan kartrij bateri dan kecederaan peribadi.

► **Rajah1:** 1. Penunjuk merah 2. Butang 3. Kartrij bateri

Untuk mengeluarkan kartrij bateri, luncurkan ia daripada alat apabila meluncurkan butang di hadapan kartrij.

Untuk memasang kartrij bateri, selaraskan lidah pada kartrij bateri dengan alur pada perumahan dan gelincirkan ia ke tempatnya. Masukkan ia sepenuhnya sehingga ia terkunci di tempatnya dengan klik kecil. Jika anda boleh melihat penunjuk merah di sisi atas butang, ia tidak dikunci sepenuhnya.

⚠PERHATIAN: Sentiasa pasang kartrij bateri sepenuhnya sehingga penunjuk merah tidak boleh dilihat. Jika tidak, ia mungkin jatuh tanpa sengaja daripada alat, menyebabkan kecederaan kepada anda atau seseorang di sekeliling anda.

⚠PERHATIAN: Jangan pasang kartrij bateri secara paksa. Jika kartrij tidak meluncur dengan mudah, ia tidak dimasukkan dengan betul.

Sistem perlindungan alat / bateri

Alat dilengkapi dengan sistem perlindungan alat/bateri. Sistem ini memotong kuasa kepada motor secara automatik untuk memanjangkan hayat alat dan bateri. Alat akan berhenti secara automatik ketika operasi jika alat atau bateri diletakkan di bawah salah satu syarat yang berikut:

Perlindungan lebih beban

Apabila alat/bateri beroperasi dengan cara yang menyebabkan ia menarik arus tinggi yang luar biasa, alat secara automatik terhenti tanpa sebarang penunjuk. Dalam situasi ini, matikan alat dan hentikan penggunaan yang menyebabkan alat menjadi terlebih beban. Kemudian hidupkan alat untuk mula semula.

Perlindungan pemanasan lampau

Apabila alat/bateri terlalu panas, alat itu berhenti secara automatik. Dalam situasi ini, biarkan alat/bateri sejuk sebelum menghidupkan semula alat.

Perlindungan lebih nyahcas

Apabila kapasiti bateri tidak mencukupi, alat akan berhenti secara automatik. Dalam situasi ini, keluarkan bateri daripada alat dan cas bateri.

Menunjukkan kapasiti bateri yang tinggal

Tekan butang semak pada kartrij bateri untuk menunjukkan kapasiti bateri yang tinggal. Lampu penunjuk menyala untuk beberapa saat.

► **Rajah2:** 1. Lampu penunjuk 2. Butang semak

Lampu penunjuk			Kapasiti yang tinggal
Dinyalakan	Mati	Berkelip	
			75% hingga 100%
			50% hingga 75%
			25% hingga 50%
			0% hingga 25%
			Cas bateri.
			Bateri mungkin telah rosak.

NOTA: Bergantung kepada keadaan penggunaan dan suhu persekitaran, penunjuk mungkin berbeza sedikit daripada kapasiti sebenar.

NOTA: Lampu penunjuk (kiri jauh) pertama akan berkedip apabila sistem perlindungan bateri berfungsi.

Butang kunci pemacu

PERHATIAN: Sebelum memasang kartrij bateri ke dalam alat, sentiasa periksa untuk melihat pemacu suis bergerak dengan betul dan kembali ke posisi "OFF" apabila dilepaskan.

PERHATIAN: Apabila tidak mengendalikan alat ini, tekan butang kunci pemacu dari sisi B untuk mengunci suis pemacu di kedudukan OFF.

► **Rajah3:** 1. Butang kunci pemacu 2. Pemacu suis

► **Rajah4**

Untuk mengelakkan pemacu suis daripada ditarik secara tidak sengaja, butang kunci pemacu disediakan.

Untuk menarik pemacu suis, tekan butang kunci pemacu dari sisi A.

Selepas digunakan, sentiasa tekan butang kunci pemacu dari sisi B.

Melaraskan kedalaman pemakuan

AMARAN: Sentiasa pastikan jari anda tidak berada pada pemacu suis atau unsur sentuhan dan kartrij bateri dikeluarkan sebelum melaraskan kedalaman pemakuan.

Kedalaman pemakuan boleh diselaraskan dengan memutar pelaras pada alat. Paku bergerak lebih dalam ketika anda memutar pelaras ke arah A yang ditunjukkan dalam rajah, dan lebih cetek ke arah B, dalam jarak sehingga 2.5 mm.

► **Rajah5:** 1. Pelaras

► **Rajah6:** 1. Terlalu dalam 2. Kedalaman yang sesuai 3. Terlalu cetek

Menyalakan lampu

PERHATIAN: Jangan lihat ke dalam cahaya atau lihat sumber cahaya secara langsung.

Tarik pemacu suis atau gerakan unsur sentuhan untuk menyalakan lampu. Lampu tetap menyala sehingga 60 saat semasa menarik pemacu suis atau menggerakkan unsur sentuhan. Lampu padam lebih kurang 10 saat selepas melepaskan pemacu suis dan unsur sentuhan.

► **Rajah7:** 1. Lampu

NOTIS: Gunakan kain kering untuk mengelap kotoran daripada lensa lampu. Berhati-hati agar tidak mencalarakan kanta lampu, atau ia mungkin mengurangkan pencahayaan.

NOTIS: Walaupun semasa lampu menyala apabila kuasa bateri yang tinggal menjadi kecil, pemaku tidak boleh menembak paku. Dalam situasi ini, cas kartrij bateri.

NOTIS: Apabila alat terlalu panas, lampu berkelip. Dalam kes ini, lepaskan pemacu suis dan unsur sentuhan, dan kemudian sejukkan alat/bateri sebelum mengendalikan semula.

NOTIS: Lampu mula berkelip jika pemaku mengesan ralat ketika memacu paku. Dalam situasi, bawa pemaku ke Pusat Servis Kilang.

PEMASANGAN

⚠️PERHATIAN: Sentiasa pastikan jari anda tidak diletakkan pada pemacu suis atau unsur sentuhan dan katrij bateri dikeluarkan sebelum menjalankan sebarang kerja pada pemaku.

Memuat atau mengeluarkan paku

⚠️PERHATIAN: Sentiasa pastikan jari anda tidak diletakkan pada pemacu atau tuil dan katrij bateri dikeluarkan sebelum memuatkan paku.

⚠️PERHATIAN: Jangan lungsurkan pintu luncur pemaku yang dimuatkan dengan paku secara mendadak. Menjatuhkan paku secara tidak sengaja terutama semasa bekerja di tempat tinggi mungkin mengakibatkan kecederaan peribadi.

⚠️PERHATIAN: Memuatkan paku dalam arah yang betul. Memuatkan dalam arah yang salah mungkin mengakibatkan pandu terkoyak lebih awal dan kerosakan bahagian lain.

⚠️PERHATIAN: Jangan gunakan jalur paku yang bengkok. Guna paku yang dinyatakan dalam manual ini. Penggunaan paku selain daripada yang dinyatakan mungkin mengakibatkan paku tersekat dan kerosakan pada pemaku.

1. Tekan tuil kunci dan buka pintu luncur lelapak.
▶ **Rajah8:** 1. Tuil kunci 2. Pintu luncur 3. Lelapak
2. Tetapkan jalur paku supaya hujung paku menyentuh bawah lelapak dan lungsurkan jalur paku ke arah panduan pemacu.
▶ **Rajah9:** 1. Paku 2. Pintu luncur 3. Panduan pemacu
3. Kembalikan pintu luncur kepada kedudukan asal hingga tuil kunci menguncikannya.

Untuk mengeluarkan paku, tekan tuil kunci dan lungsurkan pintu luncur. Keluarkan pemaku dari lelapak.

Penyesuai muncung

⚠️PERHATIAN: Sentiasa pastikan jari anda tidak berada pada pemacu suis atau unsur sentuhan dan katrij bateri dikeluarkan sebelum menggunakan penyesuai muncung.

Semasa menembak paku pada bahan dengan permukaan yang mudah rosak, gunakan penyesuai muncung. Letakkan penyesuai ke dalam hujung tirus panduan pemacu. Anda boleh menyimpan penyesuai muncung dalam pemegang di bahagian hujung belakang lelapak supaya tidak hilang.

- ▶ **Rajah10:** 1. Penyesuai muncung 2. Panduan pemacu 3. Pemegang

Cangkuk

⚠️PERHATIAN: Apabila memasang cangkuk, sentiasa ketatkannya dengan skru dengan kukuh. Jika tidak, cangkuk mungkin terkeluar daripada alat dan menyebabkan kecederaan diri.

⚠️PERHATIAN: Gunakan bahagian penggantung/pelekap bagi tujuan bahagian tersebut sahaja. Menggunakan bukan bagi tujuan yang dimaksudkan boleh menyebabkan kemalangan atau kecederaan diri.

⚠️PERHATIAN: Jangan gantungkan cangkuk dari tali pinggang. Menjatuhkan pemaku yang disebabkan oleh cangkuk terkeluar dari tempatnya secara tidak sengaja, boleh menyebabkan tembakkan tanpa sengaja dan kecederaan diri.

▶ Rajah11

Cangkuk memudahkan untuk menggantung sementara alat. Ini boleh dipasang pada mana-mana sisi alat. Untuk memasang cangkuk, masukkan ia ke dalam alur pada alat pada mana-mana sisi dan kemudian, kukuhkan ia dengan skru. Untuk mengeluarkannya, longgarkan skru dan kemudian, keluarkan ia.

- ▶ **Rajah12:** 1. Alur 2. Cangkuk 3. Skru

Penyimpan kunci allen

Apabila tidak digunakan, simpan kunci allen seperti yang ditunjukkan dalam rajah agar tidak hilang.

- ▶ **Rajah13:** 1. Kunci allen

OPERASI

Menguji sistem keselamatan

⚠️AMARAN: Pastikan semua sistem keselamatan berfungsi sebelum operasi. Gagal berbuat demikian boleh menyebabkan kecederaan peribadi.

- ▶ **Rajah14:** 1. Butang kunci pemacu 2. Pemacu suis 3. Unsur sentuhan 4. Lelapak

Uji sistem keselamatan seperti berikut untuk kemungkinan kerosakan sebelum operasi.

1. Keluarkan paku daripada alat dan biarkan lelapak terbuka.
2. Pasang katrij bateri dan lepaskan kunci pemacu.
3. Tarik pemacu suis tanpa menyentuh elemen sentuhan pada bahan.
4. Sentuh elemen sentuhan pada bahan tanpa menarik pemacu suis.

Jika alat ini beroperasi dalam keadaan 3 atau 4 di atas, sistem keselamatan mengalami kerosakan. Berhenti menggunakan alat dengan serta-merta dan tanya pusat servis tempatan anda.

Paku pemacu

⚠️ AMARAN: Terus meletakkan unsur sentuhan dengan kukuh pada bahan sehingga paku dipacu sepenuhnya. Tembakan yang tidak disengajakan boleh menyebabkan kecederaan diri.

⚠️ PERHATIAN: Pegang alat dengan kukuh semasa operasi.

1. Lepaskan kunci pemacu.
 2. Letakkan unsur sentuhan pada bahan dengan rata.
 3. Tarik pemacu suis sepenuhnya untuk memacu paku.
 4. Untuk memacu paku seterusnya, lepaskan jari anda daripada pemacu suis sekali dan kemudian ulangi langkah 2 dan 3 di atas.
- **Rajah15:** 1. Pemacu suis 2. Unsur sentuhan

Anda juga boleh memacu paku ketika menyeret alat ke kawasan seterusnya dengan unsur sentuhan ditekan pada bahan dan menarik pemacu suis.

► **Rajah16**

Sekiranya kepala paku kekal di atas permukaan bahan kerja, pacu paku sambil memegang kepala pemaku dengan kukuh pada bahan kerja.

► **Rajah17**

NOTA: Jika kepala paku masih berada di atas bahan kerja walaupun anda memegang kepala paku, bahan tersebut mungkin tidak sesuai untuk pemaku itu. Penggunaan berterusan pemaku pada bahan tersebut boleh mengakibatkan kerosakan pada pemacu pemaku dan/atau menyekat pemaku.

Mekanisme anti tembakan kosong

⚠️ AMARAN: Sentiasa pastikan jari anda tidak berada pada pemacu suis atau unsur sentuhan dan kartrij bateri dikeluarkan sebelum memuatkan pemaku.

Apabila baki jalur paku dalam lelopak kosong, pemacu suis tidak lagi boleh ditarik. Ketika ini, masukkan jalur paku baharu di dalam lelopak. Pemacu suis boleh ditarik semula.

Memeriksa baki paku

Anda boleh memeriksa jumlah baki paku melalui tingkap pandangan. Penunjuk merah bergerak ke arah bukaan tembakan apabila jumlah baki paku menjadi semakin kecil.

► **Rajah18:** 1. Tingkap pandangan 2. Penunjuk

Mengeluarkan paku tersekat

⚠️ AMARAN: Sentiasa pastikan pemacu dilepaskan dan kartrij bateri dikeluarkan sebelum mengeluarkan paku yang tersekat.

⚠️ PERHATIAN: Jangan keluarkan paku yang tersekat dengan tangan yang tanpa perlindungan. Paku mungkin terkeluar secara tiba-tiba daripada lelopak dan menyebabkan kecederaan.

Keluarkan bolt heksagon pada panduan pemacu menggunakan kunci allen.

Ambil paku yang tersekat daripada alur panduan paku dengan pemutar skru sedikit berlubang.

Ketatkan panduan pemacu dengan bolt heksagon.

► **Rajah19:** 1. Panduan pemacu 2. Bolt heksagon

NOTA: Selepas mengetatkan panduan pemacu, sentiasa pastikan panduan pemacu bergerak dengan betul. Jika tidak, keluarkan bolt heksagon dan pasangkan panduan pemacu semula.

PENYELENGGARAAN

⚠️ PERHATIAN: Sentiasa pastikan alat dimatikan dan kartrij bateri dikeluarkan sebelum cuba menjalankan pemeriksaan atau penyelenggaraan.

NOTIS: Jangan gunakan petrol, benzin, pencair, alkohol atau bahan yang serupa. Ia boleh menyebabkan perubahan warna, bentuk atau keretakan.

Untuk mengekalkan KESELAMATAN dan KEBOLEHPERCAYAAN produk, pembaikan, apa-apa penyelenggaraan atau penyesuaian lain perlu dilakukan oleh Kilang atau Pusat Servis Makita yang Diiktiraf, sentiasa gunakan alat ganti Makita.

Menukar panduan pemacu

Aksesori pilihan

Gantikan panduan pemacu standard yang dilengkapkan dengan panduan pemacu pilihan yang lebih sesuai untuk mengikat kayu lembut.

1. Keluarkan bolt heksagon pada panduan pemacu menggunakan kunci allen.
► **Rajah20:** 1. Bolt heksagon
2. Tarik panduan pemacu standard yang dilengkapkan ke bawah.
► **Rajah21:** 1. Panduan pemacu standard yang dilengkapkan
3. Pasang panduan pemacu pilihan dengan menolaknya ke atas ke dalam slot panduan.
► **Rajah22:** 1. Panduan pemacu pilihan 2. Slot panduan
4. Ketatkan panduan pemacu pilihan dengan bolt heksagon.
► **Rajah23:** 1. Bolt heksagon

AKSESORI PILIHAN

⚠️ PERHATIAN: Aksesori-aksesori atau lampiran-lampiran ini adalah disyorkan untuk digunakan dengan alat Makita anda yang ditentukan dalam manual ini. Penggunaan mana-mana aksesori-aksesori atau lampiran-lampiran lain mungkin mengakibatkan risiko kecederaan kepada orang. Hanya gunakan aksesori atau lampiran untuk tujuan yang dinyatakannya.

Jika anda memerlukan sebarang bantuan untuk maklumat lebih lanjut mengenai aksesori ini, tanya Pusat Perkhidmatan Makita tempatan anda.

- Paku
- Gogal keselamatan
- Panduan pemacu (untuk mengikat kayu lembut)
- Bateri dan pengecas asli Makita

NOTA: Beberapa item dalam senarai mungkin disertakan dalam pakej alat sebagai aksesori standard. Item mungkin berbeza mengikut negara.

THÔNG SỐ KỸ THUẬT

Kiểu máy:	FN001G
Kích thước đỉnh	18Ga x 15, 20, 25, 30, 35, 40 mm
Dung tích ổ nạp đỉnh	100 chiếc
Kích thước có BL4025, không có móc treo (D x R x C)	265 mm x 86 mm x 243 mm
Điện áp định mức	D.C. 36 V - tối đa 40 V
Khối lượng tịnh	2,6 - 3,2 kg

- Do chương trình nghiên cứu và phát triển liên tục của chúng tôi nên các thông số kỹ thuật trong đây có thể thay đổi mà không cần thông báo trước.
- Các thông số kỹ thuật và hộp pin có thể thay đổi tùy theo từng quốc gia.
- Khối lượng có thể khác nhau tùy thuộc vào (các) phụ kiện, bao gồm cả hộp pin. Tổ hợp nhẹ nhất và nặng nhất, theo Quy trình EPTA 01/2014, được trình bày trong bảng.

Hộp pin và sạc pin có thể áp dụng

Hộp pin	BL4020* / BL4025* / BL4040 / BL4050F * : Pin được khuyến dùng
Bộ sạc	DC40RA / DC40RB / DC40RC

- Một số hộp pin và sạc pin được nêu trong danh sách ở trên có thể không khả dụng tùy thuộc vào khu vực cư trú của bạn.

⚠ CẢNH BÁO: Chỉ sử dụng hộp pin và sạc pin được nêu trong danh sách ở trên. Việc sử dụng bất cứ hộp pin và sạc pin nào khác có thể gây ra thương tích và/hoặc hỏa hoạn.

Ký hiệu

Phần dưới đây cho biết các ký hiệu có thể được dùng cho thiết bị. Đảm bảo rằng bạn hiểu rõ ý nghĩa của các ký hiệu này trước khi sử dụng.



Đọc tài liệu hướng dẫn.



Chỉ dành cho các quốc gia EU
Không thải bỏ thiết bị điện hoặc bộ pin cùng với các chất thải sinh hoạt!
Để tuân thủ các Chỉ thị của Châu Âu về thiết bị điện và điện tử thải bỏ, và về pin và ắc quy và pin và ắc quy thải bỏ, và thi hành những chỉ thị này phù hợp với luật lệ quốc gia, các thiết bị điện tử và pin và (các) bộ pin không còn sử dụng được nữa phải được thu nhặt riêng và đưa trở lại một cơ sở tái chế tương thích với môi trường.

Mục đích sử dụng

Dụng cụ được sử dụng để vận siết khi thao tác với đồ nội thất và đồ gỗ.

CẢNH BÁO AN TOÀN

Cảnh báo an toàn chung dành cho dụng cụ máy

⚠ CẢNH BÁO: Xin đọc tất cả các cảnh báo an toàn, hướng dẫn, minh họa và thông số kỹ thuật đi kèm với dụng cụ máy này. Việc không tuân theo các hướng dẫn được liệt kê dưới đây có thể dẫn đến điện giật, hỏa hoạn và/hoặc thương tích nghiêm trọng.

Lưu giữ tất cả cảnh báo và hướng dẫn để tham khảo sau này.

Thuật ngữ “dụng cụ máy” trong các cảnh báo đề cập đến dụng cụ máy (có dây) được vận hành bằng nguồn điện chính hoặc dụng cụ máy (không dây) được vận hành bằng pin của bạn.

An toàn tại nơi làm việc

- Giữ nơi làm việc sạch sẽ và có đủ ánh sáng.**
Nơi làm việc bừa bộn hoặc tối thường dễ gây ra tai nạn.
- Không vận hành dụng cụ máy trong môi trường cháy nổ, ví dụ như môi trường có sự hiện diện của các chất lỏng, khí hoặc bụi dễ cháy.** Các dụng cụ máy tạo tia lửa điện có thể làm bụi hoặc khí bốc cháy.

3. **Giữ trẻ em và người ngoài tránh xa nơi làm việc khi đang vận hành dụng cụ máy.** Sự xao lãng có thể khiến bạn mất khả năng kiểm soát.

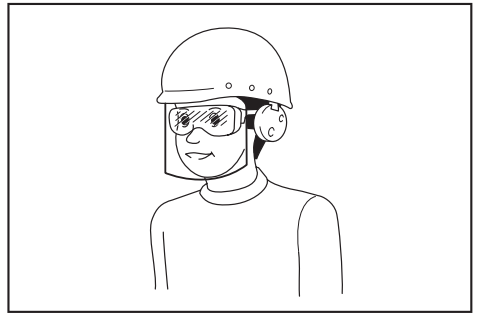
An toàn về Điện

1. **Phích cắm của dụng cụ máy phải khớp với ổ cắm. Không được sửa đổi phích cắm theo bất kỳ cách nào. Không sử dụng bất kỳ phích chuyên đổi nào với các dụng cụ máy được nối đất (tiếp đất).** Các phích cắm còn nguyên vẹn và ổ cắm phù hợp sẽ giảm nguy cơ điện giật.
2. **Tránh để cơ thể tiếp xúc với các bề mặt nóng hoặc tiếp đất như đường ống, bộ tản nhiệt, bếp ga và tủ lạnh.** Nguy cơ bị điện giật sẽ tăng lên nếu cơ thể bạn được nối đất hoặc tiếp đất.
3. **Không để dụng cụ máy tiếp xúc với mưa hoặc trong điều kiện ẩm ướt.** Nước lọt vào dụng cụ máy sẽ làm tăng nguy cơ điện giật.
4. **Không lạm dụng dây điện. Không được phép sử dụng dây để mang, kéo hoặc tháo phích cắm dụng cụ máy. Giữ dây tránh xa nguồn nhiệt, dầu, các mép sắc hoặc các bộ phận chuyển động.** Dây bị hỏng hoặc bị rối sẽ làm tăng nguy cơ điện giật.
5. **Khi vận hành dụng cụ máy ngoài trời, hãy sử dụng dây kéo dài phù hợp cho việc sử dụng ngoài trời** sẽ giảm nguy cơ điện giật.
6. **Nếu bắt buộc phải vận hành dụng cụ máy ở nơi ẩm ướt, hãy sử dụng nguồn cấp điện được bảo vệ bằng thiết bị ngắt dòng điện rò (RCD).** Việc sử dụng RCD sẽ làm giảm nguy cơ điện giật.
7. **Các dụng cụ máy có thể tạo ra từ trường điện (EMF) có hại cho người dùng.** Tuy nhiên, người dùng máy trợ tim và những thiết bị y tế tương tự khác nên liên hệ với nhà sản xuất thiết bị và/hoặc bác sỹ để được tư vấn trước khi vận hành dụng cụ này.

An toàn Cá nhân

1. **Luôn tỉnh táo, quan sát những việc bạn đang làm và sử dụng những phán đoán theo kinh nghiệm khi vận hành dụng cụ máy.** Không sử dụng dụng cụ máy khi bạn đang mệt mỏi hoặc chịu ảnh hưởng của ma túy, rượu hay thuốc. Chỉ một khoảnh khắc không tập trung khi đang vận hành dụng cụ máy cũng có thể dẫn đến thương tích cá nhân nghiêm trọng.
2. **Sử dụng thiết bị bảo hộ cá nhân. Luôn đeo thiết bị bảo vệ mắt.** Các thiết bị bảo hộ như mặt nạ chống bụi, giày an toàn chống trượt, mũ bảo hộ hay thiết bị bảo vệ thính giác được sử dụng trong các điều kiện thích hợp sẽ giúp giảm thương tích cá nhân.
3. **Tránh vô tình khởi động dụng cụ máy. Đảm bảo công tắc ở vị trí off (tắt) trước khi nối nguồn điện và/hoặc bộ pin, cắm hoặc di chuyển dụng cụ máy.** Việc di chuyển dụng cụ máy khi đang đặt ngón tay ở vị trí công tắc hoặc cấp điện cho dụng cụ máy đang bật thường dễ gây ra tai nạn.
4. **Tháo tất cả các khóa hoặc cò lê điều chỉnh trước khi bật dụng cụ máy.** Việc cò lê hoặc khóa vẫn còn gắn vào bộ phận quay của dụng cụ máy có thể dẫn đến thương tích cá nhân.

5. **Không vớ quá cao. Luôn giữ thăng bằng tốt và có chỗ để chân phù hợp.** Điều này cho phép điều khiển dụng cụ máy tốt hơn trong những tình huống bất ngờ.
6. **Ăn mặc phù hợp. Không mặc quần áo rộng hay đeo đồ trang sức. Giữ tóc và quần áo tránh xa các bộ phận chuyển động.** Quần áo rộng, đồ trang sức hay tóc dài có thể mắc vào các bộ phận chuyển động.
7. **Nếu các thiết bị được cung cấp để kết nối các thiết bị thu gom và hút bụi, hãy đảm bảo chúng được kết nối và sử dụng hợp lý.** Việc sử dụng thiết bị thu gom bụi có thể làm giảm những mối nguy hiểm liên quan đến bụi.
8. **Không vì quen thuộc do thường xuyên sử dụng các dụng cụ mà cho phép bạn trở nên tự mãn và bỏ qua các nguyên tắc an toàn dụng cụ.** Một hành động bất cẩn có thể gây ra thương tích nghiêm trọng trong một phần của một giây.
9. **Luôn luôn mang kính bảo hộ để bảo vệ mắt khỏi bị thương khi đang sử dụng các dụng cụ máy. Kính bảo hộ phải tuân thủ ANSI Z87.1 ở Mỹ, EN 166 ở Châu Âu, hoặc AS/NZS 1336 ở Úc/New Zealand. Tại Úc/New Zealand, theo luật pháp, bạn cũng phải mang mặt nạ che mặt để bảo vệ mắt.**



Trách nhiệm của chủ lao động là bắt buộc người vận hành dụng cụ và những người khác trong khu vực làm việc cạnh đó phải sử dụng các thiết bị bảo hộ an toàn thích hợp.

Sử dụng và bảo quản dụng cụ máy

1. **Không dùng lực đẩy với dụng cụ máy. Sử dụng đúng dụng cụ máy cho công việc của bạn.** Sử dụng đúng dụng cụ máy sẽ giúp thực hiện công việc tốt hơn và an toàn hơn theo giá trị định mức được thiết kế của dụng cụ máy đó.
2. **Không sử dụng dụng cụ máy nếu công tắc không bật và tắt được dụng cụ máy đó.** Mọi dụng cụ máy không thể điều khiển được bằng công tắc đều rất nguy hiểm và phải được sửa chữa.
3. **Rút phích cắm ra khỏi nguồn điện và/hoặc tháo kết nối bộ pin khỏi dụng cụ máy, nếu có thể tháo rời trước khi thực hiện bất kỳ công việc điều chỉnh, thay đổi phụ tùng hay cất giữ dụng cụ máy nào.** Những biện pháp an toàn phòng ngừa này sẽ giảm nguy cơ vô tình khởi động dụng cụ máy.

4. **Cất giữ các dụng cụ máy không sử dụng ngoài tầm với của trẻ em và không cho bất kỳ người nào không có hiểu biết về dụng cụ máy hoặc các hướng dẫn này vận hành dụng cụ máy.** Dụng cụ máy sẽ rất nguy hiểm nếu được sử dụng bởi những người dùng chưa qua đào tạo.
5. **Bảo dưỡng dụng cụ máy và các phụ kiện.** Kiểm tra tình trạng lịch trực hoặc bố kẹp của các bộ phận chuyển động, hiện tượng nứt vỡ của các bộ phận và mọi tình trạng khác mà có thể ảnh hưởng đến hoạt động của dụng cụ máy. Nếu có hỏng hóc, hãy sửa chữa dụng cụ máy trước khi sử dụng. Nhiều tai nạn xảy ra là do không bảo quản tốt dụng cụ máy.
6. **Luôn giữ cho dụng cụ cất được sắc bén và sạch sẽ.** Những dụng cụ cất được bảo quản tốt có mép cắt sắc sẽ ít bị kẹt hơn và dễ điều khiển hơn.
7. **Sử dụng dụng cụ máy, phụ tùng và đầu dụng cụ cắt, v.v... theo các hướng dẫn này, có tính đến điều kiện làm việc và công việc được thực hiện.** Việc sử dụng dụng cụ máy cho các công việc khác với công việc dự định có thể gây nguy hiểm.
8. **Giữ tay cầm và bề mặt tay cầm khô, sạch, không dính dầu và mỡ.** Tay cầm trơn trượt và bề mặt tay cầm không cho phép xử lý an toàn và kiểm soát dụng cụ trong các tình huống bất ngờ.
9. **Khi sử dụng dụng cụ, không được đi giày tay lao động bằng vải, có thể bị vướng.** Việc giăng tay lao động bằng vải vướng vào các bộ phận chuyển động có thể gây ra thương tích cá nhân.

Sử dụng và bảo quản dụng cụ dùng pin

1. **Chỉ sạc pin lại với bộ sạc do nhà sản xuất quy định.** Bộ sạc phù hợp với một loại bộ pin này có thể gây ra nguy cơ hỏa hoạn khi được dùng cho một bộ pin khác.
2. **Chỉ sử dụng các dụng cụ máy với các bộ pin được quy định cụ thể.** Việc sử dụng bất cứ bộ pin nào khác có thể gây ra thương tích và hỏa hoạn.
3. **Khi không sử dụng bộ pin, hãy giữ tránh xa các đồ vật khác bằng kim loại, chẳng hạn như kẹp giấy, tiền xu, chìa khóa, đinh, ốc vít hoặc các vật nhỏ bằng kim loại mà có thể làm nối tắt các đầu cực pin.** Các đầu cực pin bị đoản mạch có thể gây cháy hoặc hỏa hoạn.
4. **Trong điều kiện sử dụng quá mức, pin có thể bị chảy nước; hãy tránh tiếp xúc.** Nếu vô tình tiếp xúc với pin bị chảy nước, hãy rửa sạch bằng nước. Nếu dung dịch từ pin tiếp xúc với mắt, cần đi khám bác sĩ thêm. Dung dịch chảy ra từ pin có thể gây rát da hoặc bỏng.
5. **Không sử dụng bộ pin hoặc dụng cụ bị hư hỏng hoặc đã bị sửa đổi.** Pin đã bị hư hỏng hoặc đã bị sửa đổi có thể hành động theo cách không thể đoán trước dẫn đến cháy, nổ hoặc nguy cơ chấn thương.
6. **Không để bộ pin hoặc dụng cụ tiếp xúc với lửa hoặc nhiệt độ quá cao.** Tiếp xúc với lửa hoặc nhiệt độ trên 130 °C có thể gây ra cháy nổ.

7. **Làm theo tất cả các hướng dẫn sạc pin và không được sạc bộ pin hoặc dụng cụ vượt giới hạn nhiệt độ quy định trong hướng dẫn.** Sạc pin không đúng hoặc ở nhiệt độ vượt giới hạn nhiệt độ có thể gây hư hỏng cho pin và làm tăng nguy cơ cháy.

Bảo dưỡng

1. **Đề nghị viên sửa chữa đủ trình độ bảo dưỡng dụng cụ máy của bạn và chỉ sử dụng các bộ phận thay thế đồng nhất.** Việc này sẽ đảm bảo duy trì được độ an toàn của dụng cụ máy.
2. **Không bao giờ sử dụng bộ pin đã hỏng.** Dịch vụ bảo hành bộ pin chỉ nên thực hiện bởi nhà sản xuất hoặc các nhà cung cấp dịch vụ được ủy quyền.
3. **Tuân theo hướng dẫn dành cho việc bôi trơn và thay phụ tùng.**

Cảnh báo an toàn đối với máy bắn đinh chạy pin

1. **Luôn đảm bảo rằng dụng cụ có chứa các bộ phận kẹp.** Sử dụng máy bắn đinh không cẩn thận có thể làm cho bộ phận kẹp bất ngờ xẹt lửa và gây ra thương tích cá nhân.
2. **Không chỉ dùng cụ về phía bạn hoặc bất kỳ ai ở gần đó.** Việc tiết lưu sẽ bất ngờ xả bộ phận kẹp và gây ra thương tích.
3. **Không khởi hoạt dụng cụ trừ khi dụng cụ đang được giữ chặt với phôi gia công.** Nếu dụng cụ không tiếp xúc được với các phôi gia công, bộ phận kẹp có thể bị chệch hướng khỏi mục tiêu của bạn.
4. **Ngắt kết nối dụng cụ khỏi nguồn điện khi bộ phận kẹp bị kẹt trong dụng cụ.** Trong khi tháo bộ phận kẹp bị kẹt, nếu cầm máy bắn đinh vào, có thể vô tình làm máy kích hoạt.
5. **Sử dụng thận trọng khi tháo một bộ phận kẹp bị kẹt.** Cơ chế có thể đang bị nén và bộ phận kẹp có thể được xả mạnh khi đang cố gắng giải phóng khỏi tình trạng kẹt.
6. **Không sử dụng máy bắn đinh này kẹp dây cáp điện.** Nó không được thiết kế để lắp đặt cáp điện và có thể làm hỏng lớp cách điện của cáp điện gây ra điện giật hoặc nguy cơ cháy theo đó.
7. **Giữ tay và chân tránh xa khỏi khu vực cổng tổng bụi.**
8. **Tuân theo hướng dẫn dành cho việc bôi trơn và thay phụ tùng.**
9. **Luôn luôn tháo hộp pin trước khi nạp bộ phận kẹp, điều chỉnh, kiểm tra, bảo dưỡng hoặc sau khi kết thúc vận hành.**
10. **Đảm bảo không có bất kỳ ai đang đứng gần trước khi vận hành.** Không cố bắt vít vào bộ phận kẹp từ cả bên trong và bên ngoài tường cùng một lúc. Bộ phận kẹp có thể bị nứt toác và/hoặc bay ra ngoài, biểu thị nguy hiểm nghiêm trọng.
11. **Cẩn thận với chỗ để chân và duy trì thăng bằng của bạn với dụng cụ.** Đảm bảo rằng không có ai bên dưới khi đang làm việc ở những nơi cao.

12. **Không bao giờ sử dụng dụng cụ bắn vít bộ phận kẹp được đánh dấu với biểu tượng “Không sử dụng trên giáo, thang” cho ứng dụng cụ thể, ví dụ:**
 - khi thay đổi vị trí bắn vít sang một vị trí khác liên quan đến việc sử dụng giàn giáo, cầu thang, thang, hoặc thang dùng cho công trình xây dựng, ví dụ: cầu gỗ có mái che;
 - hộp hoặc thùng đóng;
 - hệ thống an toàn giao thông phù hợp ví dụ trên xe và toa xe.
13. **Kiểm tra các bức tường, trần, sàn, mái nhà và các loại tương tự cẩn thận để tránh điện giật có thể xảy ra, rò rỉ gas, cháy nổ, v.v... gây ra do bản dính vào dây điện trần, đường ống hoặc ống dẫn khí.**
14. **Chỉ sử dụng các bộ phận kẹp được quy định trong sách hướng dẫn này. Việc sử dụng bất cứ bộ phận kẹp nào khác đều có thể làm hư hỏng dụng cụ.**
15. **Không được làm thay đổi dụng cụ hoặc cố gắng sử dụng dụng cụ cho mục đích khác hơn việc bắt vít bộ phận kẹp.**
16. **Không vận hành dụng cụ khi không có các bộ phận kẹp. Điều này sẽ làm rút ngắn tuổi thọ của dụng cụ.**
17. **Ngừng vận hành bắt vít ngay nếu bạn nhận thấy điều gì đó sai hoặc không được bình thường với dụng cụ này.**
18. **Không bao giờ được xiết chặt vào bất cứ vật liệu nào mà có thể cho phép bộ phận kẹp đâm thủng và bắn xuyên qua như một đầu đạn.**
19. **Không bao giờ khởi hoạt cần khởi động công tắc và linh kiện tiếp xúc cùng một lúc cho đến khi bạn đã chuẩn bị sẵn sàng xiết chặt phôi gia công. Để phôi gia công ấn xuống linh kiện tiếp xúc. Không bao giờ được làm hỏng mục đích sử dụng của nó bằng cách giữ chặt linh kiện tiếp xúc lại hoặc ấn xuống bằng tay.**
20. **Không bao giờ làm thay đổi linh kiện tiếp xúc. Kiểm tra linh kiện tiếp xúc thường xuyên để vận hành đúng cách.**
21. **Luôn tháo bộ phận kẹp khỏi dụng cụ khi không sử dụng.**
2. **Không tháo rời hoặc làm thay đổi hộp pin.** Việc này có thể dẫn đến hỏa hoạn, quá nhiệt hoặc nổ.
3. **Nếu thời gian vận hành ngắn hơn quá mức, hãy ngừng vận hành ngay lập tức.** Điều này có thể dẫn đến rủi ro quá nhiệt, có thể gây bỏng và thậm chí là nổ.
4. **Nếu chất điện phân rơi vào mắt, hãy rửa sạch bằng nước sạch và đến cơ sở y tế ngay lập tức.** Chất này có thể khiến bạn giảm thị lực.
5. **Không để hộp pin ở tình trạng đoản mạch:**
 - (1) **Không chạm vào cực pin bằng vật liệu dẫn điện.**
 - (2) **Tránh cất giữ hộp pin trong hộp có các vật kim loại khác như đinh, tiền xu, v.v...**
 - (3) **Không được để hộp pin tiếp xúc với nước hoặc mưa.**

Đoản mạch pin có thể gây ra dòng điện lớn, quá nhiệt, có thể gây bỏng và thậm chí là hỏng hóc.

6. **Không cất giữ cũng như sử dụng dụng cụ và hộp pin ở nơi nhiệt độ có thể lên tới hoặc vượt quá 50 °C (122 °F).**
7. **Không đốt hộp pin ngay cả khi hộp pin đã bị hư hại nặng hoặc hư hỏng hoàn toàn.** Hộp pin có thể nổ khi tiếp xúc với lửa.
8. **Không đóng đinh, cắt, nghiền nát, ném, làm rơi hộp pin hoặc va vật cứng vào hộp pin.** Làm như thế có thể dẫn đến hỏa hoạn, quá nhiệt hoặc nổ.
9. **Không sử dụng pin đã hỏng.**
10. **Pin nén lithium-ion là đối tượng có yêu cầu bắt buộc theo Luật Hàng hoá Nguy hiểm.** Đối với vận tải thương mại, ví dụ như vận tải do bên thứ ba, đại lý giao nhận, thì yêu cầu đặc biệt về đóng gói và nhãn ghi phải được giám sát. Để chuẩn bị cho mặt hàng cần vận chuyển, cần phải tham khảo ý kiến chuyên gia về vật liệu nguy hiểm. Nếu được, vui lòng tuân thủ các quy định quốc gia chi tiết hơn. Buộc hoặc niêm phong các tiếp điểm mở và đóng gói pin theo cách đó để nó không thể di chuyển trong bao bì.
11. **Khi vứt bỏ hộp pin, hãy tháo chúng khỏi dụng cụ và thải bỏ ở nơi an toàn.** Phải tuân thủ theo các quy định của địa phương liên quan đến việc thải bỏ pin.

LƯU GIỮ CÁC HƯỚNG DẪN NÀY.

⚠CẢNH BÁO: KHÔNG VI ĐÃ THỎA MÃI HAY QUEN THỤC VỚI SẢN PHẨM (CÓ ĐƯỢC DO SỬ DỤNG NHIỀU LẦN) MÀ KHÔNG TUÂN THỦ NGHIÊM NGẶT CÁC QUY ĐỊNH VỀ AN TOÀN DÀNH CHO SẢN PHẨM NÀY. VIỆC DÙNG SAI HỌA KHÔNG TUÂN THEO CÁC QUY ĐỊNH VỀ AN TOÀN ĐƯỢC NÊU TRONG TÀI LIỆU HƯỚNG DẪN NÀY CÓ THỂ DẪN ĐẾN THƯƠNG TÍCH CÁ NHÂN NGHIÊM TRỌNG.

Hướng dẫn quan trọng về an toàn dành cho hộp pin

1. Trước khi sử dụng hộp pin, hãy đọc kỹ tất cả các hướng dẫn và dấu hiệu cảnh báo trên (1) bộ sạc pin, (2) pin và (3) sản phẩm sử dụng pin.
16. **Không để vụn bào, bụi hoặc đất bám vào các điện cực, lỗ và rãnh của hộp pin.** Việc này có thể dẫn đến hiệu suất kém hoặc hỏng hóc dụng cụ hay hộp pin.

- Trừ khi dụng cụ hỗ trợ sử dụng gần đường dây điện cao thế, không sử dụng hộp pin gần đường dây điện cao thế. Việc này có thể dẫn đến trục trặc hoặc hỏng hóc dụng cụ hay hộp pin.
- Giữ pin tránh xa trẻ em.

LƯU GIỮ CÁC HƯỚNG DẪN NÀY.

⚠ THẬN TRỌNG: Chỉ sử dụng pin Makita chính hãng. Việc sử dụng pin không chính hãng Makita, hoặc pin đã được sửa đổi, có thể dẫn đến nổ pin gây ra cháy, thương tích và thiệt hại cá nhân. Nó cũng sẽ làm mất hiệu lực bảo hành của Makita dành cho dụng cụ của Makita và bộ sạc.

Mẹo duy trì tuổi thọ tối đa cho pin

- Sạc hộp pin trước khi pin bị xả điện hoàn toàn. Luôn dừng việc vận hành dụng cụ và sạc pin khi bạn nhận thấy công suất dụng cụ bị giảm.
- Không được phép sạc lại một hộp pin đã được sạc đầy. Sạc quá mức sẽ làm giảm tuổi thọ của pin.
- Sạc pin ở nhiệt độ phòng 10°C - 40°C. Để cho hộp pin nóng nguội lại dần trước khi sạc pin.
- Khi không sử dụng hộp pin, hãy tháo hộp pin ra khỏi dụng cụ hoặc bộ sạc.
- Sạc pin sáu tháng một lần nếu bạn không sử dụng dụng cụ trong một thời gian dài (hơn sáu tháng).

MÔ TẢ CHỨC NĂNG

⚠ THẬN TRỌNG: Luôn đảm bảo rằng đã tắt dụng cụ và tháo hộp pin ra trước khi thực hiện việc điều chỉnh hoặc kiểm tra chức năng trên dụng cụ.

Lắp hoặc tháo hộp pin

⚠ THẬN TRỌNG: Luôn tắt dụng cụ trước khi lắp hoặc tháo hộp pin.

⚠ THẬN TRỌNG: Giữ dụng cụ và hộp pin thật chắc khi lắp hoặc tháo hộp pin. Không giữ dụng cụ và hộp pin thật chắc có thể làm trượt chúng khỏi tay và làm hư hỏng dụng cụ và hộp pin hoặc gây thương tích cá nhân.

► **Hình1:** 1. Chỉ báo màu đỏ 2. Nút 3. Hộp pin

Để tháo hộp pin, vừa trượt pin ra khỏi dụng cụ vừa đẩy trượt nút ở phía trước hộp pin.

Để lắp hộp pin, đặt thẳng hàng phần chốt nhô ra của hộp pin vào phần rãnh nằm trên vỏ và trượt hộp pin vào vị trí. Đưa hộp pin vào cho đến khi chốt khóa vào đúng vị trí với một tiếng "cách" nhẹ. Nếu bạn vẫn còn nhìn thấy chỉ báo màu đỏ ở mặt trên của nút, điều đó có nghĩa là chốt vẫn chưa được khóa hoàn toàn.

⚠ THẬN TRỌNG: Luôn lắp hộp pin khớp hoàn toàn vào vị trí cho đến khi không thể nhìn thấy chỉ báo màu đỏ. Nếu không, hộp pin có thể vô tình rơi ra khỏi dụng cụ, gây thương tích cho bạn hoặc người khác xung quanh.

⚠ THẬN TRỌNG: Không được dùng sức lắp hộp pin. Nếu hộp pin không nhẹ nhàng trượt vào vị trí, có nghĩa là pin vẫn chưa được lắp đúng.

Hệ thống bảo vệ dụng cụ / pin

Dụng cụ này được trang bị hệ thống bảo vệ dụng cụ / pin. Hệ thống này sẽ tự động ngắt nguồn điện đến động cơ để kéo dài tuổi thọ dụng cụ và pin. Dụng cụ sẽ tự động dừng vận hành khi dụng cụ hoặc pin ở một trong những trường hợp sau đây:

Bảo vệ quá tải

Khi vận hành dụng cụ/pin trong điều kiện làm máy tiêu tốn dòng cao bất thường, dụng cụ sẽ tự động dừng lại mà không có bất cứ dấu hiệu nào. Trong trường hợp này, hãy tắt dụng cụ và ngừng ứng dụng làm cho dụng cụ trở nên quá tải. Sau đó bật dụng cụ lên để khởi động lại.

Bảo vệ quá nhiệt

Khi dụng cụ/pin bị quá nhiệt, dụng cụ sẽ tự động dừng. Trong tình huống này, hãy để dụng cụ/pin nguội trở lại trước khi bật dụng cụ lại.

Bảo vệ xả điện quá mức

Khi dung lượng pin không đủ, thì dụng cụ sẽ tự động dừng. Trong trường hợp này, hãy tháo pin khỏi dụng cụ và sạc pin lại.

Chỉ báo dung lượng pin còn lại

Ấn nút check (kiểm tra) trên hộp pin để chỉ báo dung lượng pin còn lại. Các đèn chỉ báo bật sáng lên trong vài giây.

► **Hình2:** 1. Các đèn chỉ báo 2. Nút Check (kiểm tra)

Các đèn chỉ báo			Dung lượng còn lại
Bật sáng	Tắt	Nhấp nháy	
■ ■ ■ ■	□	▣	75% đến 100%
■ ■ ■ □	□	□	50% đến 75%
■ ■ □ □	□	□	25% đến 50%
■ □ □ □	□	□	0% đến 25%
▣ □ □ □	□	□	Sạc pin.
■ ■ □ □	□	□	Pin có thể đã bị hỏng.
□ □ ■ ■	□	□	

LƯU Ý: Tùy thuộc vào các điều kiện sử dụng và nhiệt độ xung quanh, việc chỉ báo có thể khác biệt một chút so với dung lượng thực sự.

LƯU Ý: Đèn chỉ báo (phía xa bên trái) đầu tiên sẽ nhấp nháy khi hệ thống bảo vệ pin hoạt động.

Nút khóa cần khởi động

⚠ THẬN TRỌNG: Trước khi lắp hộp pin vào dụng cụ, luôn luôn kiểm tra xem cần khởi động công tắc có hoạt động bình thường hay không và trả về vị trí “OFF” (TẮT) khi nhả ra.

⚠ THẬN TRỌNG: Khi không vận hành dụng cụ, ấn xuống nút khóa cần khởi động từ bên B để khóa cần khởi động công tắc ở vị trí OFF (TẮT).

► **Hình3:** 1. Nút khóa cần khởi động 2. Cần khởi động công tắc

► **Hình4**

Để ngăn ngừa vô tình kéo cần khởi động công tắc, dụng cụ được trang bị nút khóa cần khởi động. Để kéo cần khởi động công tắc, hãy ấn xuống nút khóa cần khởi động từ bên A. Sau khi sử dụng, luôn luôn ấn vào nút khóa cần khởi động từ bên B.

Điều chỉnh độ sâu bắn đinh

⚠ CẢNH BÁO: Luôn đảm bảo rằng ngón tay bạn không đặt trên cần khởi động công tắc hoặc linh kiện tiếp xúc và hộp pin được tháo rời trước khi điều chỉnh độ sâu bắn đinh.

Độ sâu bắn đinh được điều chỉnh bằng cách bộ điều chỉnh trên dụng cụ. Bắn đinh sâu hơn khi bạn xoay bộ điều chỉnh theo hướng A, và nông hơn khi xoay theo hướng B, trong phạm vi tối đa 2,5 mm.

► **Hình5:** 1. Bộ điều chỉnh

► **Hình6:** 1. Quá sâu 2. Độ sâu phải 3. Quá nông

Bật sáng đèn

⚠ THẬN TRỌNG: Đừng nhìn thẳng trực tiếp vào đèn hoặc nguồn sáng.

Kéo cần khởi động công tắc hoặc khởi hoạt linh kiện tiếp xúc để bật sáng đèn. Đèn sẽ vẫn sáng tối đa khoảng 60 giây trong lúc đang kéo cần khởi động công tắc hoặc đang khởi hoạt linh kiện tiếp xúc. Đèn sẽ tắt khoảng 10 giây sau khi nhả cần khởi động công tắc và linh kiện tiếp xúc.

► **Hình7:** 1. Đèn

CHÚ Ý: Dùng vải khô để lau bụi bẩn trên kính đèn. Cần thận trọng được làm xước kính đèn, nếu không đèn có thể bị giảm độ sáng.

CHÚ Ý: Thận chí đèn bật sáng khi nguồn pin còn lại nhỏ, máy bắn đinh có thể không làm cháy đinh. Trong trường hợp này, hãy sạc lại hộp pin.

CHÚ Ý: Khi dụng cụ bị quá nhiệt, đèn sẽ nhấp sáng. Trong trường hợp này, hãy nhả cần khởi động công tắc và linh kiện tiếp xúc, sau đó làm nguội dụng cụ/pin trước khi vận hành lại lần nữa.

CHÚ Ý: Đèn bắt đầu nhấp nháy nếu máy bắn đinh phát hiện ra lỗi trong khi bắn đinh. Trong trường hợp này, hãy mang máy bắn đinh đến Trung tâm dịch vụ nhà máy.

LẮP RÁP

⚠ THẬN TRỌNG: Luôn đảm bảo rằng ngón tay bạn không đặt trên cần khởi động công tắc hoặc linh kiện tiếp xúc và hộp pin được tháo rời trước khi thực hiện bất cứ công việc nào trên máy bắn đinh.

Nạp hoặc không nạp đinh

⚠ THẬN TRỌNG: Luôn đảm bảo rằng ngón tay bạn không đặt trên cần khởi động và hộp pin đã được tháo rời trước khi nạp đinh.

⚠ THẬN TRỌNG: Không được bắt nòng trượt cửa trượt của máy bắn đinh đã được nạp đinh. Việc vô tình làm rơi đinh đặc biệt khi làm ở những vị trí trên cao có thể gây ra thương tích cá nhân.

⚠ THẬN TRỌNG: Nạp đinh đúng hướng. Nạp sai hướng có thể gây ra hao mòn sớm cho thanh dẫn và hư hỏng cho các bộ phận khác.

⚠ THẬN TRỌNG: Không sử dụng băng dính bị biến dạng. Chỉ sử dụng băng dính được quy định trong hướng dẫn này. Sử dụng băng dính khác quy định có thể gây ra kẹt đinh và hư hỏng máy bắn đinh.

1. Nhấn vào cần khóa và mở cửa trượt của ổ nạp đinh.

► **Hình8:** 1. Cần khóa 2. Cửa trượt 3. Ổ nạp đinh

2. Đặt băng dính sao cho các đầu đinh chạm vào đáy của ổ nạp đinh và trượt băng dính về phía thanh dẫn máy khoan.

► **Hình9:** 1. Đinh 2. Cửa trượt 3. Thanh dẫn

3. Trả cửa trượt về vị trí ban đầu cho đến khi cần khóa khóa cửa trượt lại.

Để tháo đinh, nhấn cần khóa rồi trượt cửa trượt. Lấy hết đinh ra khỏi ổ nạp đinh.

Đầu chuyên mũi

⚠ THẬN TRỌNG: Luôn đảm bảo rằng ngón tay bạn không đặt trên cần khởi động công tắc hoặc linh kiện tiếp xúc và hộp pin được tháo rời trước khi lắp đặt đầu chuyên mũi.

Khi đinh xẹt lửa trên vật liệu với bề mặt dễ xước, sử dụng đầu chuyên mũi. Đặt bộ chuyển đổi vào phần đầu mũi của thanh dẫn máy khoan.

Bạn có thể cất giữ đầu chuyên mũi vào giá đỡ ở phía sau ổ nạp đinh để tránh làm mất.

► **Hình10:** 1. Đầu chuyên mũi 2. Thanh dẫn máy khoan 3. Giá đỡ

Móc treo

⚠ THẬN TRỌNG: Khi lắp đặt móc treo, luôn siết vít thật chặt. Nếu không làm vậy, móc treo có thể rơi ra khỏi dụng cụ và gây thương tích cá nhân.

⚠ THẬN TRỌNG: Chỉ sử dụng các bộ phận treo/gắn dựa vào mục đích thiết kế của chúng. Sử dụng sai mục đích có thể gây ra tai nạn hoặc thương tích cá nhân.

⚠ THẬN TRỌNG: Không treo móc treo từ đai lưng. Việc làm rơi máy bắn đinh do móc treo vô tình nằm ngoài vị trí có thể xẹt lửa ngoài ý muốn và dẫn đến thương tích cá nhân.

► **Hình11**

Móc treo rất thuận tiện cho việc treo tạm dụng cụ. Móc treo có thể được lắp ở cả hai bên của dụng cụ.

Để lắp đặt móc treo, hãy lắp nó vào rãnh trên vỏ dụng cụ trên bất cứ mặt nào và sau đó siết chặt lại bằng vít. Để tháo ra, hãy vận lỏng vít rồi lấy móc treo ra.

► **Hình12:** 1. Rãnh 2. Móc treo 3. Vít

Cất giữ cò lê sáu cạnh

Khi không sử dụng, cất giữ cò lê sáu cạnh như được minh họa trong hình để tránh làm mất.

► **Hình13:** 1. Cò lê sáu cạnh

VẬN HÀNH

Kiểm tra hệ thống an toàn

⚠ CẢNH BÁO: Đảm bảo rằng tất cả các hệ thống an toàn đều trong tình trạng làm việc bình thường trước khi vận hành. Không làm như vậy có thể gây ra thương tích cá nhân.

► **Hình14:** 1. Nút khóa cần khởi động 2. Cần khởi động công tắc 3. Linh kiện tiếp xúc 4. Ổ nạp đinh

Kiểm tra hệ thống an toàn về các lỗi có thể xảy ra trước khi vận hành như sau.

1. Tháo đinh bắn khỏi dụng cụ và giữ cho ổ nạp đinh mở ra.
2. Lắp đặt hộp pin và nhả khóa cần khởi động.
3. Kéo cần khởi động công tắc mà không chạm vào linh kiện tiếp xúc đang tỳ vào vật liệu.
4. Chạm linh kiện tiếp xúc tỳ vào vật liệu mà không kéo cần khởi động công tắc.

Nếu dụng cụ vận hành trong trường hợp 3 hoặc 4 ở trên, hệ thống an toàn sẽ bị lỗi. Ngừng sử dụng dụng cụ ngay lập tức và yêu cầu trung tâm dịch vụ địa phương của bạn.

Bắn đinh

⚠ CẢNH BÁO: Tiếp tục đặt linh kiện tiếp xúc thật chắc lên vật liệu cho đến khi hoàn tất bắn đinh. Xẹt lửa ngoài ý muốn có thể gây ra thương tích cá nhân.

⚠ THẬN TRỌNG: Cầm chắc dụng cụ trong lúc vận hành.

1. Nhả khóa cần khởi động.
2. Đặt thẳng bằng linh kiện tiếp xúc trên vật liệu.
3. Kéo cần khởi động công tắc hết cỡ để bắn đinh.
4. Để tiếp tục lần bắn tiếp theo, nhả ngón tay khỏi cần khởi động công tắc, và sau đó lặp lại bước 2 và bước 3 ở trên.

► **Hình15:** 1. Cần khởi động công tắc 2. Linh kiện tiếp xúc

Bạn cũng có thể bắn đinh khi kéo dụng cụ ở vùng kề cận bằng linh kiện tiếp xúc đập trên vật liệu và kéo cần khởi động công tắc.

► **Hình16**

Nếu đầu đinh bắn vẫn còn nằm trên bề mặt phi gia công, hãy bắn đinh khi đang giữ chắc đầu đinh tỳ lên phi gia công.

► **Hình17**

LƯU Ý: Nếu đầu đinh bắn vẫn ở trên phi gia công ngay cả khi bạn giữ đầu đinh, vật liệu có thể không phù hợp với đinh. Tiếp tục sử dụng máy bắn đinh trên vật liệu như vậy có thể gây hư hỏng cho đầu bắn của máy bắn đinh và/hoặc làm kẹt đinh.

Cơ chế chống khô, cháy

⚠ CẢNH BÁO: Luôn đảm bảo ngón tay bạn không đặt trên cần khởi động công tắc hoặc linh kiện tiếp xúc và hộp pin được tháo rời trước khi chạy máy bán dính.

Khi số lượng băng dính còn lại trong ổ nạp dính rỗng, cần khởi động công tắc sẽ không thể kéo được nữa. Tại thời điểm này, hãy lắp băng dính mới trong ổ nạp dính. Có thể kéo cần khởi động công tắc lần nữa.

Kiểm tra dính bán còn lại

Bạn có thể kiểm tra lượng dính bán còn lại thông qua cửa sổ quan sát.

Đèn chỉ báo màu đỏ sẽ di chuyển theo hướng khe hở bán khi lượng dính bán còn lại trở nên ít hơn.

► **Hình18:** 1. Cửa sổ ngắm 2. Đèn chỉ báo

Tháo dính bị kẹt

⚠ CẢNH BÁO: Luôn đảm bảo rằng bộ khởi động đã được nhả ra, và hộp pin và dính được tháo ra trước khi tháo dính bị kẹt.

⚠ THẬN TRỌNG: Không tháo dính bị kẹt bằng tay trần. Dính có thể bật ra khỏi ổ nạp dính và gây thương tích.

Tháo bu lông lục giác trên thanh dẫn máy khoan bằng cờ lê sáu cạnh.

Lấy dính bị kẹt ra khỏi rãnh dẫn dính bằng tuốc-nơ-vít có đầu rãnh tiết diện nhỏ.

Siết chặt thanh dẫn máy khoan bằng bu lông lục giác.

► **Hình19:** 1. Thanh dẫn máy khoan 2. Bu lông lục giác

LƯU Ý: Sau khi siết chặt thanh dẫn máy khoan, luôn đảm bảo rằng thanh dẫn đã hoạt động đúng cách. Nếu không đúng, hãy tháo bu lông lục giác và cài đặt lại thanh dẫn máy khoan.

BẢO TRÌ

⚠ THẬN TRỌNG: Hãy luôn chắc chắn rằng dụng cụ đã được tắt và hộp pin đã được tháo ra trước khi cố gắng thực hiện việc kiểm tra hay bảo dưỡng.

CHÚ Ý: Không được phép dùng xăng, ét xăng, dung môi, cồn hoặc hóa chất tương tự. Có thể xảy ra hiện tượng mất màu, biến dạng hoặc nứt vỡ.

Để đảm bảo ĐỘ AN TOÀN và ĐỘ TIN CẬY của sản phẩm, việc sửa chữa hoặc bất cứ thao tác bảo trì, điều chỉnh nào đều phải được thực hiện bởi các Trung tâm Dịch vụ Nhà máy hoặc Trung tâm được Makita Ủy quyền và luôn sử dụng các phụ tùng thiết bị thay thế của Makita.

Thay thế thanh dẫn máy khoan

Phụ kiện tùy chọn

Thay thế thanh dẫn máy khoan được trang bị chuẩn bằng thanh dẫn máy khoan tùy chọn phù hợp hơn để nén chặt gỗ mềm.

1. Tháo bu lông lục giác trên thanh dẫn máy khoan bằng cờ lê sáu cạnh.

► **Hình20:** 1. Bu-lông lục giác

2. Kéo thanh dẫn máy khoan được trang bị chuẩn hướng xuống dưới.

► **Hình21:** 1. Thanh dẫn máy khoan được trang bị chuẩn

3. Cài đặt thanh dẫn máy khoan tùy chọn bằng cách đẩy nó hướng lên trên vào khe dẫn hướng.

► **Hình22:** 1. Thanh dẫn máy khoan tùy chọn 2. Khe dẫn hướng

4. Siết chặt thanh dẫn máy khoan tùy chọn bằng bu lông lục giác.

► **Hình23:** 1. Bu-lông lục giác

PHỤ KIỆN TÙY CHỌN

⚠ THẬN TRỌNG: Các phụ kiện hoặc phụ tùng gắn thêm này được khuyến cáo sử dụng với dụng cụ Makita của bạn theo như quy định trong hướng dẫn này. Việc sử dụng bất cứ phụ kiện hoặc phụ tùng gắn thêm nào khác đều có thể gây ra rủi ro thương tích cho người. Chỉ sử dụng phụ kiện hoặc phụ tùng gắn thêm cho mục đích đã quy định sẵn của chúng.

Nếu bạn cần bất kỳ sự hỗ trợ nào để biết thêm chi tiết về các phụ tùng này, hãy hỏi Trung tâm Dịch vụ của Makita tại địa phương của bạn.

- Dính
- Kính bảo hộ
- Thanh dẫn máy khoan (dùng để nén chặt gỗ mềm)
- Pin và bộ sạc chính hãng của Makita

LƯU Ý: Một số mục trong danh sách có thể được bao gồm trong gói dụng cụ làm phụ kiện tiêu chuẩn. Các mục này ở mỗi quốc gia có thể khác nhau.

ข้อมูลจำเพาะ

รุ่น:	FN001G
ขนาดตะปู	18Ga x 15, 20, 25, 30, 35, 40 mm
ความจุของแม่กาวขึ้นตะปู	100 ชิ้น
ขนาดซึ่งรวม BL4025 แต่ไม่รวมของเกี่ยว (ยาว x กว้าง x สูง)	265 mm x 86 mm x 243 mm
แรงดันไฟฟ้าสูงสุด	D.C. 36 V - 40 V สูงสุด
น้ำหนักสุทธิ	2.6 - 3.2 kg

- เนื่องจากการค้นคว้าวิจัยและพัฒนาอย่างต่อเนื่อง ข้อมูลจำเพาะในเอกสารฉบับนี้อาจเปลี่ยนแปลงได้โดยไม่ต้องแจ้งให้ทราบล่วงหน้า
- ข้อมูลจำเพาะและตลับแบตเตอรี่อาจแตกต่างกันไปในแต่ละประเทศ
- น้ำหนักอาจแตกต่างกันไปตามอุปกรณ์เสริม รวมถึงตลับแบตเตอรี่ การติดอุปกรณ์เสริมที่เบาที่สุดและหนักที่สุดตามข้อบังคับของ EPTA 01/2014 มีแสดงอยู่ในตาราง

ตลับแบตเตอรี่และเครื่องชาร์จที่ใช้ได้

ตลับแบตเตอรี่	BL4020* / BL4025* / BL4040 / BL4050F * : แบตเตอรี่ที่แนะนำ
เครื่องชาร์จ	DC40RA / DC40RB / DC40RC

- ตลับแบตเตอรี่และเครื่องชาร์จบางรายการที่แสดงอยู่ด้านบนอาจไม่มีวางจำหน่ายขึ้นอยู่กับภูมิภาคที่คุณอาศัยอยู่

คำเตือน: ใช้ตลับแบตเตอรี่และเครื่องชาร์จที่ระบุไว้ข้างบนเท่านั้น การใช้ตลับแบตเตอรี่และเครื่องชาร์จประเภทอื่นอาจก่อให้เกิดความเสี่ยงที่จะได้รับบาดเจ็บและ/หรือเกิดไฟไหม้

สัญลักษณ์

ต่อไปนี้เป็นสัญลักษณ์ที่อาจใช้สำหรับอุปกรณ์ โปรดศึกษาความหมายของสัญลักษณ์ให้เข้าใจก่อนการใช้งาน



อ่านคู่มือการใช้งาน



Ni-MH
Li-ion

สำหรับประเทศในสหภาพยุโรปเท่านั้น ห้ามทิ้งอุปกรณ์ไฟฟ้าหรือชุดแบตเตอรี่รวมกับขยะครัวเรือนทั่วไป! เพื่อให้เป็นไปตามกฎระเบียบของยุโรปเกี่ยวกับขยะจำพวกอุปกรณ์ไฟฟ้าและอิเล็กทรอนิกส์ และขยะจำพวกแบตเตอรี่และหม้อสะสมไฟฟ้า และการปฏิบัติตามกฎหมายในประเทศ ต้องเก็บอุปกรณ์ไฟฟ้าและแบตเตอรี่และชุดแบตเตอรี่ทั้งหมดอายุการใช้งานแล้วแยกต่างหาก และส่งกลับไปยังศูนย์รีไซเคิลที่เป็นมิตรต่อสิ่งแวดล้อม

จุดประสงค์การใช้งาน

เครื่องมือนี้ใช้สำหรับการขันน็อตงานภายในและงานเฟอร์นิเจอร์

คำเตือนด้านความปลอดภัย

คำเตือนด้านความปลอดภัยของเครื่องมือไฟฟ้าทั่วไป

คำเตือน: โปรดอ่านคำเตือนด้านความปลอดภัย คำแนะนำ ภาพประกอบ และข้อมูลจำเพาะต่างๆ ที่ให้มา กับเครื่องมือไฟฟ้านี้อย่างละเอียด การไม่ปฏิบัติตามคำแนะนำดังต่อไปนี้ อาจส่งผลให้เกิดไฟฟ้ช็อต ไฟไหม้ และ/หรือได้รับบาดเจ็บอย่างร้ายแรงได้

เก็บรักษาคำเตือนและคำแนะนำทั้งหมดไว้

เป็นข้อมูลอ้างอิงในอนาคต

คำว่า “เครื่องมือไฟฟ้า” ในคำเตือนนี้หมายถึงเครื่องมือไฟฟ้า (มีสาย) ที่ทำงานโดยใช้กระแสไฟฟ้าหรือเครื่องมือไฟฟ้า (ไร้สาย) ที่ทำงานโดยใช้แบตเตอรี่

ความปลอดภัยของพื้นที่ทำงาน

1. ดูแลพื้นที่ทำงานให้มีความสะอาดและมีแสงไฟสว่าง พื้นที่ที่กระเบื้องกระเบื้องหรือมีดที่บอบอาจนำไปสู่การเกิดอุบัติเหตุได้
2. อย่าใช้งานเครื่องมือไฟฟ้าในสภาพที่อาจเกิดการระเบิด เช่น ในสถานที่ที่มีของเหลว ก๊าซ หรือฝุ่นผงที่มีคุณสมบัติไวไฟ เครื่องมือไฟฟ้าอาจสร้างประกายไฟและจุดชนวนฝุ่นผงหรือก๊าซดังกล่าว
3. ดูแลไม่ให้มีเด็กหรือบุคคลอื่นอยู่ในบริเวณที่กำลังใช้เครื่องมือไฟฟ้า การมีสิ่งรบกวนสมาธิอาจทำให้คุณสูญเสียการควบคุม

ความปลอดภัยด้านไฟฟ้า

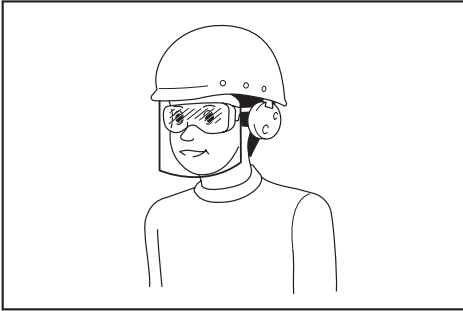
1. ปลั๊กของเครื่องมือไฟฟ้าต้องพอดีกับเต้ารับ อย่าดัดแปลงปลั๊กไม่ว่ากรณีใดๆ อย่าใช้ปลั๊กอะแดปเตอร์กับเครื่องมือไฟฟ้าที่ต่อสายดิน ปลั๊กที่ไม่ถูกดัดแปลงและเต้ารับที่เข้ากันพอดีจะช่วยลดความเสี่ยงของการเกิดไฟฟ้าช็อต
2. ระวังอย่าให้ร่างกายสัมผัสกับพื้นผิวที่ต่อสายดิน เช่น ท่อ เครื่องนำความร้อน เตาหุงต้ม และตู้เย็น มีความเสี่ยงที่จะเกิดไฟฟ้าช็อตสูงขึ้น หากร่างกายของคุณสัมผัสกับพื้น
3. อย่าให้เครื่องมือไฟฟ้าถูกน้ำหรืออยู่ในสภาพเปียกชื้น น้ำที่ไหลเข้าไปในเครื่องมือไฟฟ้าจะเพิ่มความเสี่ยงของการเกิดไฟฟ้าช็อต
4. อย่าใช้สายไฟอย่างไม่เหมาะสม อย่าใช้สายไฟเพื่อยก ดึง หรือถอดปลั๊กเครื่องมือไฟฟ้า เก็บสายไฟให้ห่างจากความร้อน น้ำมัน ของมีคม หรือชิ้นส่วนที่เคลื่อนที่ สายที่ชำรุดหรือพันกันจะเพิ่มความเสี่ยงของการเกิดไฟฟ้าช็อต
5. ขณะที่ใช้งานเครื่องมือไฟฟ้านอกอาคาร ควรใช้สายต่อพ่วงที่เหมาะสมกับงานภายนอกอาคาร การใช้สายที่เหมาะสมกับงานภายนอกอาคารจะลดความเสี่ยงของการเกิดไฟฟ้าช็อต
6. หากต้องใช้งานเครื่องมือไฟฟ้าในสถานที่เปียกชื้น ให้ใช้อุปกรณ์ป้องกันกระแสไฟรั่ว (RCD) การใช้ RCD จะลดความเสี่ยงของการเกิดไฟฟ้าช็อต

7. เครื่องมือไฟฟ้าอาจสร้างสนามแม่เหล็ก (EMF) ที่ไม่เป็นอันตรายต่อผู้ใช้ อย่างไรก็ตาม ผู้ใช้ที่ใส่เครื่องกระตุ้นหัวใจและอุปกรณ์ทางการแพทย์ที่คล้ายกันนี้ควรติดต่อผู้ผลิตอุปกรณ์และ/หรือแพทย์เพื่อรับคำแนะนำก่อนใช้งานเครื่องมือไฟฟ้านี้

ความปลอดภัยส่วนบุคคล

1. ให้ระมัดระวังและมึสติอยู่เสมอขณะใช้งานเครื่องมือไฟฟ้า อย่าใช้งานเครื่องมือไฟฟ้าในขณะที่คุณกำลังเหนื่อย หรือในสภาพที่มึนเมาจากยาเสพติด เครื่องดื่ม แอลกอฮอล์ หรือการเข้ายา ช่วงเวลาที่ขาดความระมัดระวังเมื่อกำลังใช้งานเครื่องมือไฟฟ้าอาจทำให้ได้รับบาดเจ็บร้ายแรง
2. ใช้อุปกรณ์ป้องกันส่วนบุคคล สวมแว่นตาป้องกันแสง อุปกรณ์ป้องกัน เช่น หน้ากากกันฝุ่น รองเท้านิรภัย กันสั่น หมวกนิรภัย หรือเครื่องป้องกันการได้ยินที่ใช้ในสภาพที่เหมาะสมจะช่วยลดการบาดเจ็บ
3. ป้องกันไม่ให้เกิดการเปิดใช้งานโดยไม่ตั้งใจ ตรวจสอบให้แน่ใจว่าสวิตช์ปิดอยู่ก่อนที่จะเชื่อมต่อกับแหล่งจ่ายไฟ และ/หรือชุดแบตเตอรี่ รวมทั้งตรวจสอบก่อนการยกหรือเคลื่อนย้ายเครื่องมือ การสอดนิ้วมือบริเวณสวิตช์เพื่อถือเครื่องมือไฟฟ้า หรือการชาร์จไฟเครื่องมือไฟฟ้าในขณะที่เปิดสวิตช์อยู่อาจนำไปสู่การเกิดอุบัติเหตุ
4. นำกฎและปรับตั้งหรือประแจออกก่อนที่จะเปิดเครื่องมือไฟฟ้า ประแจหรือกฎแก่ที่เสียบค้างอยู่ในชิ้นส่วนที่หมุนได้ของเครื่องมือไฟฟ้าอาจทำให้ได้รับบาดเจ็บ
5. อย่าทำงานในระยะที่สูดเอื้อม จัดทำการยื่นและการทรงตัวให้เหมาะสมตลอดเวลา เพราะจะทำให้ควบคุมเครื่องมือไฟฟ้าได้ดีขึ้นในสถานการณ์ที่ไม่คาดคิด
6. แต่งกายให้เหมาะสม อย่าสวมเครื่องแต่งกายที่หลวมเกินไป หรือสวมเครื่องประดับ ดูแลไม่ให้เส้นผมและเสื้อผ้าอยู่ใกล้ชิ้นส่วนที่เคลื่อนที่ เสื้อผ้ารุ่มร่าม เครื่องประดับ หรือผมที่มีความยาวอาจเข้าไปติดในชิ้นส่วนที่เคลื่อนที่
7. หากมีการจัดอุปกรณ์สำหรับดูดและจับฝุ่นไว้ในสถานที่ ให้ตรวจสอบว่าได้เชื่อมต่อและใช้งานอุปกรณ์นั้นอย่างเหมาะสม การใช้เครื่องดูดและจับฝุ่นจะช่วยลดอันตรายที่เกิดจากฝุ่นผงได้
8. อย่าให้ความคุ้นเคยจากการใช้งานเครื่องมือเป็นประจำทำให้คุณทำตามตัวตามสบายและละเลยหลักการเพื่อความปลอดภัยในการใช้เครื่องมือ การกระทำที่ไม่ระมัดระวังอาจทำให้เกิดการบาดเจ็บร้ายแรงภายในเสี้ยววินาที

- สวมใส่แว่นครอบตานิรภัยเพื่อปกป้องดวงตาของคุณจากการบาดเจ็บเมื่อใช้เครื่องมือไฟฟ้า แว่นครอบตาจะต้องได้มาตรฐาน ANSI Z87.1 ในสหรัฐอเมริกา, EN 166 ในยุโรป หรือ AS/NZS 1336 ในออสเตรเลีย/นิวซีแลนด์ ในออสเตรเลีย/นิวซีแลนด์ จะต้องสวมเกราะป้องกันใบหน้าเพื่อปกป้องใบหน้าของคุณอย่างถูกต้องตามกฎหมายด้วย



ผู้ว่าจ้างมีหน้าที่รับผิดชอบในการบังคับผู้ใช้งานเครื่องมือและบุคคลอื่น ๆ ที่อยู่ในบริเวณที่ปฏิบัติงานให้ใช้อุปกรณ์ป้องกันที่เหมาะสม

การใช้และดูแลเครื่องมือไฟฟ้า

- อย่าฝืนใช้เครื่องมือไฟฟ้า ใช้เครื่องมือไฟฟ้าที่เหมาะสมกับการใช้งานของคุณ เครื่องมือไฟฟ้าที่เหมาะสมจะทำให้ได้งานที่มีประสิทธิภาพและปลอดภัยกว่าตามขีดความสามารถของเครื่องที่ได้รับการออกแบบมา
- อย่าใช้เครื่องมือไฟฟ้า หากสวิตช์ไม่สามารถเปิดปิดได้ เครื่องมือไฟฟ้าที่ควบคุมด้วยสวิตช์ไม่ได้เป็นสิ่งอันตรายและต้องได้รับการซ่อมแซม
- ถอดปลั๊กจากแหล่งจ่ายไฟ และ/หรือชุดแบตเตอรี่ออกจากเครื่องมือไฟฟ้าก่อนทำการปรับตั้ง เปลี่ยนอุปกรณ์เสริม หรือจัดเก็บเครื่องมือไฟฟ้า วิธีการป้องกันด้านความปลอดภัยดังกล่าวจะช่วยลดความเสี่ยงในการเปิดใช้งานเครื่องมือไฟฟ้าโดยไม่ได้ตั้งใจ
- จัดเก็บเครื่องมือไฟฟ้าที่ไม่ได้ใช้งานให้ห่างจากมือเด็ก และอย่าอนุญาตให้บุคคลที่ไม่คุ้นเคยกับเครื่องมือไฟฟ้าหรือคำแนะนำเหล่านี้ใช้งานเครื่องมือไฟฟ้า เครื่องมือไฟฟ้าจะเป็นอันตรายเมื่ออยู่ในมือของผู้ที่ไม่ได้รับการฝึกอบรม

- บำรุงรักษาเครื่องมือไฟฟ้าและอุปกรณ์เสริม ตรวจสอบการประกอบที่ไม่ถูกต้องหรือการเชื่อมต่อของชิ้นส่วนที่เคลื่อนที่ การแตกหักของชิ้นส่วน หรือสภาพอื่น ๆ ที่อาจส่งผลกระทบต่อการทำงานของเครื่องมือไฟฟ้า หากมีความเสียหาย ให้นำเครื่องมือไฟฟ้าไปซ่อมแซมก่อนการใช้งาน อุบัติเหตุจำนวนมากเกิดจากการดูแลรักษาเครื่องมือไฟฟ้าอย่างไม่ถูกต้อง
- ทำความสะอาดเครื่องมือตัดและลับให้คมอยู่เสมอ เครื่องมือการตัดที่มีการดูแลอย่างถูกต้องและมีขอบการตัดคมมักจะมีความปลอดภัยน้อยกว่า
- ใช้เครื่องมือไฟฟ้า อุปกรณ์เสริม และวัสดุสิ้นเปลือง ฯลฯ ตามคำแนะนำดังกล่าว พิจารณาสภาพการทำงานและงานที่จะลงมือทำ การใช้เครื่องมือไฟฟ้าเพื่อทำงานอื่นนอกเหนือจากที่กำหนดไว้อาจทำให้เกิดอันตราย
- ดูเล็มมือจับและบริเวณมือจับให้แห้ง สะอาด และไม่มันหื่นและจารบีเปื้อน มือจับและบริเวณมือจับที่ลื่นจะทำให้ไม่สามารถจับและควบคุมเครื่องมือได้อย่างปลอดภัยในสถานการณ์ที่ไม่คาดคิด
- ขณะใช้งานเครื่องมือ อย่างสวมใส่ถุงมือผ้าที่อาจเข้าไปติดในเครื่องมือได้ หากถุงมือผ้าเข้าไปติดในชิ้นส่วนที่กำลังเคลื่อนที่ที่อยู่อาจทำให้ได้รับบาดเจ็บ

การใช้งานและดูแลเครื่องมือที่ใช้แบตเตอรี่

- ชาร์จไฟใหม่ด้วยเครื่องชาร์จที่ระบุโดยผู้ผลิตเท่านั้น เครื่องชาร์จที่เหมาะสมสำหรับชุดแบตเตอรี่ประเภทหนึ่งอาจเสี่ยงที่จะเกิดไฟไหม้หากนำไปใช้กับชุดแบตเตอรี่อีกประเภทหนึ่ง
- ใช้เครื่องมือไฟฟ้ากับชุดแบตเตอรี่ที่กำหนดมาโดยเฉพาะเท่านั้น การใช้ชุดแบตเตอรี่ประเภทอื่นอาจทำให้เสี่ยงที่จะได้รับบาดเจ็บและเกิดไฟไหม้
- เมื่อไม่ใช้งานชุดแบตเตอรี่ ให้เก็บห่างจากวัตถุที่เป็นโลหะอื่น ๆ เช่น คลิปหนีบกระดาษ เหรียญ กุญแจ กรรไกรตัดเล็บ สกรู หรือวัตถุที่เป็นโลหะขนาดเล็กอื่น ๆ ที่สามารถเชื่อมต่อขั้วหนึ่งกับอีกขั้วหนึ่งได้ การลัดวงจรขั้วแบตเตอรี่อาจทำให้ร้อนจัดหรือเกิดไฟไหม้
- ในกรณีที่ใช้งานไม่ถูกต้อง อาจมีของเหลวไหลออกจากแบตเตอรี่ ให้หลีกเลี่ยงการสัมผัส หากสัมผัสโดนของเหลวโดยไม่ได้ตั้งใจ ให้ล้างออกด้วยน้ำ หากของเหลวกระเด็นเข้าตา ให้รีบไปพบแพทย์ ของเหลวที่ไหลออกจากแบตเตอรี่อาจทำให้ผิวหนังระคายเคืองหรือไหม้

- ห้ามใช้ชุดแบตเตอรี่หรือเครื่องมือที่ชำรุดหรือมีการแก้ไข แบตเตอรี่ที่เสียหายหรือมีการแก้ไขอาจทำให้เกิดสิ่งที่ไม่ถึงได้ เช่น ไฟไหม้ ระเบิด หรือเสียงต่อการบาดเจ็บ
- ห้ามใช้ชุดแบตเตอรี่อยู่ใกล้ไฟ หรือบริเวณที่มีอุณหภูมิสูงเกิน หากโดนไฟ หรืออุณหภูมิสูงเกิน 130 °C อาจก่อให้เกิดการระเบิดได้
- กรุณาปฏิบัติตามคำแนะนำสำหรับการชาร์จไฟ และห้ามชาร์จแบตเตอรี่หรือเครื่องมือในบริเวณที่มีอุณหภูมิบนอกเหนือไปจากที่ระบุในคำแนะนำ การชาร์จไฟที่ไม่เหมาะสม หรืออุณหภูมิบนอกเหนือไปจากช่วงอุณหภูมิที่ระบุในคำแนะนำอาจทำให้แบตเตอรี่เสียหายและเป็นการเพิ่มความเสี่ยงในการเกิดไฟไหม้

การซ่อมบำรุง

- นำเครื่องมือไฟฟ้าเข้ารับบริการจากช่างซ่อมที่ผ่านการรับรองโดยใช้อะไหล่แบบเดียวกันเท่านั้น เพราะจะทำให้การใช้เครื่องมือไฟฟ้ามีความปลอดภัย
- ห้ามใช้ชุดแบตเตอรี่ที่เสียหาย ชุดแบตเตอรี่ที่ใช้ควรเป็นชุดที่มาจากผู้ผลิต หรือผู้ให้บริการที่ได้รับอนุญาตเท่านั้น
- ปฏิบัติตามคำแนะนำในการหล่อลื่นและการเปลี่ยนอุปกรณ์เสริม

คำเตือนด้านความปลอดภัยของเครื่องยิงตะปูไร้สาย

- ให้ระลึกลักษณะของตัวยัดอยู่ในเครื่องมือ การใช้งานเครื่องยิงตะปูอย่างไม่ระมัดระวังอาจทำให้เกิดการยิงตัวยัดโดยไม่คาดคิดและเกิดการบาดเจ็บได้
- อย่าหันเครื่องมือเข้าหาตัวเองหรือผู้ที่อยู่ใกล้เคียง การกดสวิตช์ทำงานโดยไม่คาดคิดจะเป็นการยิงตัวยัดทำให้เกิดการบาดเจ็บได้
- อย่าใช้งานเครื่องมือหากเครื่องมือไม่ได้วางแนบอยู่กับชิ้นงาน หากเครื่องมือไม่สัมผัสกับชิ้นงาน ตัวยัดอาจแล่นออกจากเป้าหมายที่ต้องการ
- ถอดเครื่องมือออกจากแหล่งจ่ายไฟเมื่อตัวยัดติดอยู่ในเครื่องมือ ขณะเอาตัวยัดที่ติดออก เครื่องยิงตะปูอาจทำงานขึ้นมาโดยบังเอิญหากเสียบปลั๊กอยู่
- ใช้ความระมัดระวังขณะเอาตัวยัดที่ติดชั่ตออก กลไกอาจมีแรงดันและตัวยัดอาจถูกยิงออกมาอย่างแรงขณะพยายามแก้ไขสภาพที่ติดขัด
- อย่าใช้เครื่องยิงตะปูนี้ในการยิงตะปู เครื่องมือนี้ไม่ได้ออกแบบมาเพื่อการติดตั้งสายไฟและอาจทำให้ฉนวนของสายไฟเสียหาย ซึ่งจะทำให้เกิดไฟฟ้าช็อตหรือเพลิงไหม้ได้

- ให้มือและเท้าอยู่ห่างออกจากบริเวณช่องปาล์มออก
- ปฏิบัติตามคำแนะนำในการหล่อลื่นและการเปลี่ยนอุปกรณ์เสริม
- ถอดกลับแบตเตอรี่ออกก่อนใส่ตัวยัด ทำการปรับตรวจสอบ บำรุงรักษา หรือหลังจากจบการทำงานเสมอ
- ตรวจสอบให้แน่ใจว่าไม่มีใครอยู่ในบริเวณใกล้เคียงก่อนทำงาน ห้ามพยายามขันตัวยัดจากทั้งด้านในและด้านนอกจากแพงพร้อมกัน ด้วยมือข้างหนึ่งและ/หรือกระเด็นออก ทำให้เกิดอันตรายร้ายแรง
- ตรวจสอบท่ายืนของคุณและรักษาสมาดุลกับเครื่องมือเสมอ ตรวจสอบว่าไม่มีใครอยู่ด้านล่างเมื่อทำงานในที่สูง
- ห้ามใช้เครื่องมือขันตัวยัดที่มีสัญลักษณ์ “อย่าใช้บนนั่งร้านหรือบันได” เพื่อการทำงานเฉพาะอย่าง เช่น
 - เมื่อเปลี่ยนสถานที่ขึ้นเป็นที่อื่น ซึ่งเกี่ยวข้องกับ การขึ้นนั่งร้าน บันได หรือสิ่งก่อสร้างที่มีลักษณะเหมือนบันได เช่น ไม้ระแนงหลังคา
 - กล่องปิดหรือล๊อค
 - ระบบความปลอดภัยในการขนส่ง เช่น บนรถ หรือที่บรรทุก
- ตรวจสอบกำแพง เพดาน พื้น หลังคา และสิ่งที่ยึดยึดอย่างละเอียดถี่ถ้วนเพื่อหลีกเลี่ยงการเกิดไฟฟ้ช็อต การรั่วไหลของก๊าซ การระเบิด และอื่นๆ ที่อาจเกิดขึ้นจากการยิงถูกสายไฟ ท่อน้ำ หรือท่อก๊าซที่ยังใช้งาน
- ใช้เฉพาะตัวยัดตามที่ได้รับไว้ในคู่มือเล่มนี้เท่านั้น การใช้งานตัวยัดอื่นๆ อาจทำให้เครื่องมือทำงานผิดปกติ
- อย่าใช้เครื่องมือนี้ในการตอกหรือพยายามใช้ทำงานอื่นนอกเหนือจากการยิงตัวยัด
- อย่าใช้เครื่องมือโดยไม่มัดตัวยัด เนื่องจากจะทำให้อายุการใช้งานของเครื่องมือสั้นลง
- หยุดยิงตัวยัดทันทีหากคุณสังเกตเห็นสิ่งผิดปกติหรือต่างไปจากปกติบนเครื่องมือ
- ห้ามยิงวัสดุใดๆ ที่อาจทำให้ตัวยัดเจาะทะลุและพุ่งกระเด็นไปไกล
- ห้ามใช้งานสวิตช์ทำงานและส่วนสัมผัสพร้อมกัน จนกว่าจะพร้อมยึดชิ้นงาน กดส่วนสัมผัสเข้ากับชิ้นงาน ห้ามใช้งานผิดวัตถุประสงค์ด้วยการยึดส่วนสัมผัสไว้หรือกดด้วยมือ
- ห้ามใช้ส่วนสัมผัสในการตอก ตรวจสอบส่วนสัมผัสเป็นประจำเพื่อการทำงานอย่างเหมาะสม

21. ถอดตัววัดออกจากเครื่องมือเสมอเมื่อไม่ได้ใช้งาน ปฏิบัติตามคำแนะนำเหล่านี้

คำเตือน: อย่าให้ความไม่ระมัดระวังหรือความคุ้นเคยกับผลิตภัณฑ์ (จากการใช้งานซ้ำหลายครั้ง) อยู่เหนือการปฏิบัติตามกฎเกณฑ์ด้านความปลอดภัยในการใช้งาน ผลิตภัณฑ์อย่างเคร่งครัด การใช้งานอย่างไม่เหมาะสมหรือการไม่ปฏิบัติตามกฎเกณฑ์ด้านความปลอดภัยในคู่มือการใช้งานนี้อาจทำให้ได้รับบาดเจ็บร้ายแรง

คำแนะนำเพื่อความปลอดภัยที่สำคัญสำหรับ ดัลล์แบตเตอรี่

1. ก่อนใช้งานดัลล์แบตเตอรี่ให้อ่านคำแนะนำและเครื่องหมายเตือนทั้งหมดบน (1) เครื่องชาร์จแบตเตอรี่ (2) แบตเตอรี่ และ (3) ตัวผลิตภัณฑ์ที่ใช้แบตเตอรี่
2. อย่าถอดแยกชิ้นส่วนหรือทำการดัดแปลงดัลล์แบตเตอรี่ เนื่องจากอาจทำให้เกิดไฟไหม้ ความร้อนที่สูงเกินไป หรือระเบิดได้
3. หากระยะเวลาที่เครื่องทำงานสั้นเกินไป ให้หยุดใช้งานทันที เนื่องจากอาจมีความเสี่ยงที่จะร้อนจัด ไหม้หรือระเบิดได้
4. หากสารละลายอิเล็กโทรไลต์กระเด็นเข้าตา ให้ล้างออกด้วยน้ำเปล่าและรีบไปพบแพทย์ทันที เนื่องจากอาจทำให้ตาบอด
5. ห้ามลัดวงจรดัลล์แบตเตอรี่:
 - (1) ห้ามแตะขั้วกับวัตถุที่เป็นสื่อนำไฟฟ้าใดๆ
 - (2) หลีกเลี่ยงการเก็บดัลล์แบตเตอรี่ไว้ในภาชนะร่วมกับวัตถุที่เป็นโลหะ เช่น กรรไกรตัดเล็บ เหรียญ ฯลฯ
 - (3) อย่าให้ดัลล์แบตเตอรี่ถูกน้ำหรือฝน แบตเตอรี่ลัดวงจรอาจทำให้เกิดการไหลของกระแสไฟฟ้า ร้อนจัด ไหม้หรือเสียหายได้
6. ห้ามเก็บและใช้เครื่องมือและดัลล์แบตเตอรี่ไว้ในสถานที่ที่มีอุณหภูมิสูงถึงหรือเกิน 50 °C (122 °F)
7. ห้ามเผาดัลล์แบตเตอรี่ทิ้ง แม้ว่าแบตเตอรี่จะเสียหายจนใช้การไม่ได้หรือเสื่อมสภาพแล้ว ดัลล์แบตเตอรี่อาจจะระเบิดในกองไฟ
8. อย่าดอดตะปู ตัด บด ขั้วง หรือทำดัลล์แบตเตอรี่หล่นพื้น หรือกระทบดัลล์แบตเตอรี่กับวัตถุของแข็ง การกระทำดังกล่าวอาจส่งผลให้เกิดไฟไหม้ ความร้อนที่สูงเกินไป หรือระเบิดได้
9. ห้ามใช้แบตเตอรี่ที่เสียหาย

10. แบตเตอรี่ลิเทียมไอออนที่มีมาให้นั้นเป็นไปตามข้อกำหนดของ Dangerous Goods Legislation สำหรับการขนส่งเพื่อการพาณิชย์ เช่น โดยบุคคลที่สาม ตัวแทนขนส่งสินค้า จะต้องตรวจสอบข้อกำหนดพิเศษในด้านการบรรจุหีบห่อหรือการติดป้ายสินค้าในการเตรียมสินค้าที่จะขนส่ง ให้ปรึกษาผู้เชี่ยวชาญด้านวัตถุอันตราย โปรดตรวจสอบข้อกำหนดในประเทศที่อาจมีรายละเอียดอื่น ๆ เพิ่มเติม ให้ติดเทปหรือปิดหน้าสัมผัสและห่อแบตเตอรี่ในลักษณะที่แบตเตอรี่จะไม่เคลื่อนที่ไปมาในหีบห่อ
11. เมื่อกำจัดดัลล์แบตเตอรี่ ให้ถอดดัลล์แบตเตอรี่ออกจากเครื่องมือและกำจัดในสถานที่ที่ปลอดภัย ปฏิบัติตามข้อบังคับในท้องถิ่นที่เกี่ยวกับการกำจัดแบตเตอรี่
12. ใช้แบตเตอรี่กับผลิตภัณฑ์ที่ระบุโดย Makita เท่านั้น การติดตั้งแบตเตอรี่ในผลิตภัณฑ์ที่ไม่ใช่ตามที่ระบุอาจทำให้เกิดไฟไหม้ ความร้อนสูง ระเบิด หรืออิเล็กทรอนิกส์ไวไฟได้
13. หากไม่ใช่เครื่องมือเป็นระยะเวลานาน จะต้องถอดแบตเตอรี่ออกจากเครื่องมือ
14. ในระหว่างและหลังการใช้งาน ดัลล์แบตเตอรี่อาจร้อนซึ่งอาจลวกผิวหรือทำให้ผิวไหม้ที่อุณหภูมิต่ำได้ โปรดระมัดระวังในการจัดการกับแบตเตอรี่ที่ร้อน
15. อย่าสัมผัสขั้วของเครื่องมือทันทีหลังจากการใช้งาน เนื่องจากอาจมีความร้อนพอที่จะทำให้ผิวไหม้ได้
16. อย่าปล่อยให้เศษวัสดุ ฝุ่นผง หรือดินเข้าไปติดอยู่ในขั้ว รู และร่องของดัลล์แบตเตอรี่ เนื่องจากอาจทำให้เครื่องมือหรือดัลล์แบตเตอรี่มีประสิทธิภาพลดลงหรือเสียหายได้
17. หากเครื่องมือไม่รองรับสายไฟแรงดันสูง อย่าใช้ดัลล์แบตเตอรี่ใกล้กับสายไฟแรงดันสูง เนื่องจากเครื่องมือหรือดัลล์แบตเตอรี่อาจทำงานผิดปกติหรือเสียหายได้
18. เก็บแบตเตอรี่ให้ห่างจากเด็ก

ปฏิบัติตามคำแนะนำเหล่านี้

คำเตือน: ใช้แบตเตอรี่ของแท้จาก Makita เท่านั้น การใช้แบตเตอรี่ Makita ที่ไม่แท้ หรือแบตเตอรี่ที่ถูกเปลี่ยน อาจทำให้แบตเตอรี่ระเบิด ก่อให้เกิดเพลิงลุกไหม้ การบาดเจ็บ และความเสี่ยงภัยได้ และจะทำการรับประกันของ Makita สำหรับเครื่องมือและแท่นชาร์จของ Makita เป็นโมฆะด้วย

เคล็ดลับในการรักษาอายุการใช้งานของแบตเตอรี่ให้ยาวนานที่สุด

1. ชาร์จแบตเตอรี่ก่อนที่ไฟหมด หยุดการใช้งานแล้วชาร์จประจุไฟฟ้าใหม่ทุกครั้งเมื่อคุณรู้สึกว่าอุปกรณ์มีกำลังลดลง
2. อย่าชาร์จแบตเตอรี่ที่มีไฟเต็มแล้ว การชาร์จประจุไฟฟ้ามากเกินไปอาจจะทำให้อายุการใช้งานของแบตเตอรี่สั้นลง
3. ชาร์จประจุไฟฟ้าดัดแบตเตอรี่ในห้องที่มีอุณหภูมิระหว่าง 10 °C - 40 °C ปล่อยให้ดัดแบตเตอรี่เย็นลงก่อนที่จะชาร์จไฟ
4. เมื่อไม่ใช้ดัดแบตเตอรี่ ให้ถอดออกจากเครื่องมือหรือเครื่องชาร์จ
5. ชาร์จไฟดัดแบตเตอรี่หากคุณไม่ต้องการใช้เป็นเวลาานาน (เกินกว่าหกเดือน)

คำอธิบายการทำงาน

⚠ ข้อควรระวัง: ตรวจสอบให้แน่ใจว่าได้ปิดสวิตช์เครื่องมือและถอดดัดแบตเตอรี่ออกก่อนปรับตั้งหรือตรวจสอบการทำงานของเครื่องมือ

การใส่หรือการถอดดัดแบตเตอรี่

⚠ ข้อควรระวัง: ปิดสวิตช์เครื่องมือก่อนทำการติดตั้งหรือการถอดดัดแบตเตอรี่ทุกครั้ง

⚠ ข้อควรระวัง: ถือเครื่องมือและดัดแบตเตอรี่ให้แน่นในระหว่างการติดตั้งหรือการถอดดัดแบตเตอรี่ หากไม่ถือเครื่องมือและดัดแบตเตอรี่ให้แน่น อาจทำให้ดัดแบตเตอรี่และเครื่องมือสั้นหลุดมือ และทำให้เครื่องมือและดัดแบตเตอรี่เสียหายหรือได้รับบาดเจ็บได้

▶ **หมายเลข 1:** 1. ซิลลี่แดง 2. ปุ่ม 3. ดัดแบตเตอรี่

เมื่อต้องการถอดดัดแบตเตอรี่ ให้เลื่อนปุ่มที่ด้านหน้าของดัดแล้วดึงออกจากเครื่องมือ

เมื่อต้องการติดตั้งดัดแบตเตอรี่ ให้จัดแนวสันบนดัดแบตเตอรี่ให้ตรงกับร่องบนตัวเครื่องมือ แล้วเลื่อนดัดแบตเตอรี่เข้าที่ ติดตั้งดัดแบตเตอรี่เข้าจนสุดจนกระทั่งล็อกเข้าที่และได้ยินเสียงคลิก หากยังเห็นซิลลี่แดงที่ด้านบนของปุ่ม แสดงว่าดัดแบตเตอรี่ยังไม่ล็อกเข้าที่

⚠ ข้อควรระวัง: ให้อินดัดแบตเตอรี่เข้าจนสุดจนไม่เห็นซิลลี่แดงอีก ไม่เช่นนั้น ดัดแบตเตอรี่อาจหลุดออกจากเครื่องมือทำให้คุณหรือคนรอบข้างได้รับบาดเจ็บ

⚠ ข้อควรระวัง: อย่าฝืนติดตั้งดัดแบตเตอรี่โดยใช้แรงมากเกินไป หากดัดแบตเตอรี่ไม่เลื่อนเข้าไปโดยง่าย แสดงว่าใส่ไม่ถูกต้อง

ระบบป้องกันเครื่องมือ/แบตเตอรี่

เครื่องมือมีระบบป้องกันเครื่องมือ/แบตเตอรี่ ระบบนี้จะตัดไฟที่ส่งไปยังมอเตอร์โดยอัตโนมัติเพื่อยืดอายุการใช้งานเครื่องมือและแบตเตอรี่ เครื่องมือจะหยุดทำงานระหว่างการใช้งานโดยอัตโนมัติ หากเครื่องมือหรือแบตเตอรี่อยู่ภายใต้สถานการณ์ต่อไปนี้

การป้องกันโอเวอร์โหลด

เมื่อเครื่องมือ/แบตเตอรี่ทำงานในรูปแบบที่อาจจะต้องพลังงานไฟฟ้าสูงเกินไป เครื่องมือจะหยุดโดยอัตโนมัติโดยไม่มีอาการแจ้งเตือนใดๆ ในกรณีนี้ ให้ปิดเครื่องมือและหยุดการใช้งานในลักษณะที่อาจทำให้เครื่องมือทำงานหนักเกินไป แล้วเปิดเครื่องมือเพื่อเริ่มทำงานอีกครั้ง

การป้องกันความร้อนสูงเกินไป

เมื่อเครื่องมือ/แบตเตอรี่ร้อนเกินไป เครื่องมือจะหยุดโดยอัตโนมัติ ในกรณีนี้ ปล่อยให้เครื่องมือ/แบตเตอรี่เย็นลงก่อนที่จะเปิดเครื่องมืออีกครั้ง









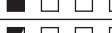



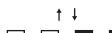


การป้องกันไฟหมด

เมื่อแบตเตอรี่มีระดับพลังงานไม่เพียงพอ เครื่องมือจะหยุดโดยอัตโนมัติ ในกรณีนี้ ให้ถอดแบตเตอรี่ออกจากเครื่องมือและนำแบตเตอรี่ไปชาร์จไฟ

การระบุระดับพลังงานแบตเตอรี่ที่เหลืออยู่

กดปุ่ม ตรวจสอบ บนดัดับแบตเตอรี่เพื่อดูปริมาณแบตเตอรี่ที่เหลือ ไฟแสดงสถานะจะสว่างขึ้นเป็นเวลาสองสามวินาที

► **หมายเลข 2:** 1. ไฟแสดงสถานะ 2. ปุ่มตรวจสอบ

ไฟแสดงสถานะ			แบตเตอรี่ที่เหลือ
			
			75% ถึง 100%
			50% ถึง 75%
			25% ถึง 50%
			0% ถึง 25%
			ชาร์จไฟแบตเตอรี่
			แบตเตอรี่อาจจะเสีย

หมายเหตุ: ขึ้นอยู่กับสภาพการใช้งานและอุณหภูมิ โดยรอบ การแสดงสถานะอาจจะแตกต่างจากปริมาณแบตเตอรี่จริงเล็กน้อย

หมายเหตุ: ไฟแสดงสถานะดวงแรก (ซ้ายสุด) จะกะพริบเมื่อระบบป้องกันแบตเตอรี่ทำงาน

ปุ่มลัดสวิทช์สั่งงาน

⚠ ข้อควรระวัง: ก่อนใส่ดัดับแบตเตอรี่ลงในเครื่องมือ ให้ตรวจสอบว่าสวิทช์สั่งงานสามารถทำงานได้อย่างถูกต้อง และกลับไปยังตำแหน่ง "ปิด" เมื่อปล่อย

⚠ ข้อควรระวัง: เมื่อไม่ใช้งานเครื่องมือ ให้กดปุ่มลัดสวิทช์สั่งงานจากด้าน B เพื่อลัดสวิทช์สั่งงานในตำแหน่ง OFF

► **หมายเลข 3:** 1. ปุ่มลัดสวิทช์สั่งงาน 2. สวิทช์สั่งงาน

► **หมายเลข 4**

เพื่อป้องกันไม่ให้สวิทช์สั่งงานถูกดึงโดยไม่ตั้งใจจึงมีปุ่มลัดสวิทช์สั่งงานติดตั้งไว้

หากต้องการดึงสวิทช์สั่งงาน ให้กดปุ่มลัดสวิทช์สั่งงานจากด้าน A

หลังจากใช้งาน ให้กดปุ่มลัดสวิทช์สั่งงานจากด้าน B เสมอ

การปรับความลึกในการยิงตะปู

⚠ คำเตือน: ตรวจสอบให้แน่ใจทุกครั้งว่าคุณไม่ได้วางนิ้วมือบนสวิทช์สั่งงานหรือส่วนสัมผัส และกดดัดับแบตเตอรี่ออกก่อนปรับความลึกในการยิงตะปู

สามารถปรับความลึกในการยิงตะปูได้โดยการหมุนตัวปรับบนเครื่องมือ ตะปูจะเจาะลึกขึ้นได้โดยการหมุนตัวปรับไปตามทิศทาง A ดังที่แสดงในภาพและเจาะตื้นลงได้โดยการหมุนไปตามทิศทาง B ซึ่งปรับให้เจาะได้ลึกสุดถึง 2.5 mm

► **หมายเลข 5:** 1. ตัวปรับ

► **หมายเลข 6:** 1. ลึกเกินไป 2. ลึกพอดี 3. ตื้นเกินไป

การเปิดดวงไฟ

⚠ ข้อควรระวัง: อย่ามองเข้าไปในดวงไฟหรือจ้องดูแหล่งกำเนิดแสงโดยตรง

ดึงสวิทช์สั่งงานหรือใช้งานส่วนสัมผัสเพื่อให้ไฟติด ดวงไฟจะติดขึ้นเป็นเวลา 60 วินาทีขณะดึงสวิทช์สั่งงานหรือใช้งานส่วนสัมผัส ดวงไฟจะดับลงภายในเวลาประมาณ 10 วินาทีหลังจากปล่อยสวิทช์สั่งงานและส่วนสัมผัส

► **หมายเลข 7:** 1. ดวงไฟ

ข้อสังเกต: ใช้ผ้าแห้งเพื่อเช็ดสิ่งสกปรกออกจากเลนส์ของดวงไฟ ระวังอย่าขีดข่วนเลนส์ของดวงไฟ ไม่เช่นนั้นอาจทำให้ส่องสว่างได้น้อยลง

ข้อสังเกต: แม้ว่าดวงไฟจะสว่างขึ้น แต่เมื่อพลังงานแบตเตอรี่เหลือน้อย เครื่องยิงตะปูอาจไม่ยิงตะปูออกมาในกรณีนี้ให้ชาร์จดัดับแบตเตอรี่

ข้อสังเกต: เมื่อเครื่องมือร้อนเกินไป ไฟจะสว่างขึ้น ในกรณีนี้ ให้ปล่อยสวิทช์สั่งงานและส่วนสัมผัส จากนั้นจึงปล่อยให้เครื่องมือ/แบตเตอรี่เย็นลงก่อนใช้งานอีกครั้ง

ข้อสังเกต: ดวงไฟจะเริ่มกะพริบหากเครื่องยิงตะปูตรวจจับความขัดข้องได้ในระหว่างการยิงตะปู ในกรณีนี้ ให้นำเครื่องยิงตะปูเข้ารับการซ่อมที่ศูนย์บริการของโรงงาน

การประกอบ

⚠ ข้อควรระวัง: ตรวจสอบให้แน่ใจทุกครั้งว่าคุณไม่ได้วางนิ้วมือบนสวิตช์สั่งงานหรือส่วนสัมผัส และให้ถอดปลั๊กแบตเตอรี่ออกก่อนดำเนินการใดๆ กับเครื่องยิงตะปู

การใส่ตะปูหรือนำตะปูออก

⚠ ข้อควรระวัง: ตรวจสอบให้แน่ใจทุกครั้งว่าคุณไม่ได้วางนิ้วมือบนสวิตช์สั่งงาน และถอดปลั๊กแบตเตอรี่ออกก่อนใส่ตะปู

⚠ ข้อควรระวัง: อย่าเลื่อนฝาเลื่อนของเครื่องยิงตะปูซึ่งเต็มไปด้วยตะปูอย่างกะทันหัน การทำตะปูตกโดยไม่ตั้งใจโดยเจตนาเมื่อทำงานในที่สูงอาจทำให้ได้รับบาดเจ็บได้

⚠ ข้อควรระวัง: ใส่ตะปูในทิศทางที่ถูกต้อง การใส่ในทิศทางที่ไม่ถูกต้องทำให้เกิดการสึกหรอก่อนเวลาอันควร หัวยิงชำรุด และเกิดความเสียหายต่อชิ้นส่วนอื่นๆ ได้

⚠ ข้อควรระวัง: อย่าใช้แถบตะปูที่เสียรูป ใช้ตะปูตามที่ได้ระบุไว้ในคู่มือเล่มนี้ การใช้ตะปูอื่นนอกเหนือจากที่ระบุไว้อาจทำให้ตะปูติดและเครื่องยิงตะปูเสียหายได้

1. กัดก้านล๊อคและเปิดฝาเลื่อนของแม็กกาซีน
▶ **หมายเลข 8:** 1. ก้านล๊อค 2. ฝาเลื่อน 3. แม็กกาซีน
2. ใส่แถบตะปูโดยให้ส่วนปลายของตะปูสัมผัสกับด้านล่างของแม็กกาซีน แล้วเลื่อนแถบตะปูไปทางตัวนำหัวยิง
▶ **หมายเลข 9:** 1. ตะปู 2. ฝาเลื่อน 3. ตัวนำหัวยิง
3. ปรับให้ฝาเลื่อนกลับไปยังตำแหน่งเดิมจนกว่าก้านล๊อคจะล๊อคฝาเลื่อนไว้

การนำตะปูออก ให้กดก้านล๊อคแล้วเลื่อนฝาเลื่อน นำตะปูออกจากแม็กกาซีน

ตัวแปลงส่วนหัว

⚠ ข้อควรระวัง: ตรวจสอบให้แน่ใจทุกครั้งว่าคุณไม่ได้วางนิ้วมือบนสวิตช์สั่งงานหรือส่วนสัมผัส และถอดปลั๊กแบตเตอรี่ออกก่อนติดตั้งตัวแปลงส่วนหัว

- เมื่อยิงตะปูนิ้วสวิตช์ที่พื้นผิวเสียหายได้ง่าย ให้ใช้ตัวแปลงส่วนหัว ใส่ตัวแปลงบนปลายตัวนำหัวยิง คุณสามารถเก็บตัวแปลงส่วนหัวในตัวยึดที่ปลายด้านหลังของแม็กกาซีนเพื่อไม่ให้สูญหาย
- ▶ **หมายเลข 10:** 1. ตัวแปลงส่วนหัว 2. ตัวนำหัวยิง 3. ที่ยึด

ขอเกี่ยว

⚠ ข้อควรระวัง: เมื่อทำการติดตั้งขอเกี่ยว ให้ขันสกรูให้แน่นเสมอ ไม่เช่นนั้น ขอเกี่ยวอาจหลุดออกจากเครื่องมือและอาจทำให้ได้รับบาดเจ็บได้

⚠ ข้อควรระวัง: ใช้ส่วนที่แขวนยึดตามวัตถุประสงค์ที่ระบุไว้ในที่นั้น การใช้งานผิดวัตถุประสงค์อาจก่อให้เกิดอุบัติเหตุหรือได้รับบาดเจ็บได้

⚠ ข้อควรระวัง: อย่าแขวนขอเกี่ยวกับเข็มขัดคาดเอว การทำเครื่องยิงตะปูตกซึ่งเกิดจากการที่ขอเกี่ยวหลุดออกจากที่โดยไม่ได้ตั้งใจอาจทำให้เกิดการยิงโดยไม่ตั้งใจและทำให้ได้รับบาดเจ็บได้

▶ หมายเลข 11

ขอเกี่ยวให้ความสะดวกสำหรับการแขวนเครื่องมือไว้ชั่วคราว ซึ่งสามารถติดตั้งไว้ที่ด้านใดด้านหนึ่งของเครื่องมือเมื่อต้องการติดตั้งขอเกี่ยว ให้ใส่ขอเกี่ยวลงในร่องบนตัวเครื่องมือที่ด้านใดด้านหนึ่ง แล้วยึดติดไว้ด้วยสกรู เมื่อต้องการถอดออก ให้คลายสกรูแล้วดึงออกมา

▶ หมายเลข 12: 1. ร่อง 2. ขอเกี่ยว 3. สกรู

การเก็บประแจหกเหลี่ยม

เมื่อไม่ใช้งาน ให้เก็บประแจหกเหลี่ยมตามที่แสดงในภาพเพื่อไม่ให้สูญหาย

▶ หมายเลข 13: 1. ประแจหกเหลี่ยม

การใช้งาน

การทดสอบระบบป้องกันภัย

⚠ คำเตือน: ตรวจสอบว่าระบบป้องกันภัยทั้งหมดอยู่ในสภาพที่ใช้งานได้ก่อนนำไปใช้งาน มิฉะนั้น อาจก่อให้เกิดการบาดเจ็บได้

▶ หมายเลข 14: 1. ปุ่มล๊อคสวิตช์สั่งงาน 2. สวิตช์สั่งงาน 3. ส่วนสัมผัส 4. แม็กกาซีน

ทดสอบระบบป้องกันภัยดังต่อไปนี้เพื่อป้องกันข้อผิดพลาดที่อาจเกิดขึ้นก่อนใช้งาน

1. เอาตะปูออกจากเครื่องมือและให้แม็กกาซีนเปิดค้างไว้
2. ติดตั้งปลั๊กแบตเตอรี่ และปลดล๊อคสวิตช์สั่งงาน
3. ดึงสวิตช์สั่งงานโดยไม่ให้ส่วนสัมผัสแตะกับวัสดุ
4. ให้ส่วนสัมผัสแตะกับวัสดุโดยไม่ต้องดึงสวิตช์สั่งงาน

หากเครื่องมือทำงานในกรณีที 3 หรือ 4 ข้างต้น ถือว่าระบบป้องกันภัยผิดปกติ หยุดใช้เครื่องมือทันทีและติดต่อศูนย์บริการในท้องถิ่นของคุณ

การยิงตะปู

คำเตือน: ให้ส่วนสัมผัสวางบนวัสดุอย่างแนบสนิทจนกว่าจะยิงตะปูเสร็จสิ้น การยิงตะปูโดยไม่ตั้งใจอาจทำให้ได้รับบาดเจ็บได้

ข้อควรระวัง: จับเครื่องมือให้แน่นในระหว่างการดำเนินการ

1. ปลดลอคสวิตช์สั่งงาน
2. ให้ส่วนสัมผัสแตะบนวัสดุ
3. กดสวิตช์สั่งงานจนสุดเพื่อยิงตะปู
4. เมื่อต้องการยิงตะปูตัวต่อไป ให้ปล่อยนิ้วออกจากสวิตช์สั่งงานหนึ่งครั้ง แล้วทำซ้ำในขั้นตอนที่ 2 และ 3 ตามด้านบน

► **หมายเลข 15:** 1. สวิตช์สั่งงาน 2. ส่วนสัมผัส

คุณสามารถยิงตะปูเมื่อลากเครื่องมือไปยังบริเวณถัดไป โดยกดขึ้นส่วนสัมผัสให้แนบกับวัสดุและกดสวิตช์สั่งงาน

► **หมายเลข 16**

หากส่วนหัวของตะปูยื่นออกมาจากพื้นผิวของชิ้นงาน ให้ยิงตะปูโดยจับส่วนหัวของเครื่องยิงตะปูแนบกับชิ้นงานให้แน่น

► **หมายเลข 17**

หมายเหตุ: หากส่วนหัวของตะปูยังคงยื่นออกมาจากชิ้นงาน แม้ว่าจะจับส่วนหัวของเครื่องยิงตะปูไว้แล้ว วัสดุอาจไม่เหมาะสมสำหรับเครื่องยิงตะปู การใช้เครื่องยิงตะปูบนวัสดุดังกล่าวต่อไปอาจทำให้เกิดความเสียหายต่อหัวยิงของเครื่องยิงตะปู และ/หรือเครื่องยิงตะปูติดขัดได้

กลไกป้องกันการยิงเปล่า

คำเตือน: ตรวจสอบให้แน่ใจทุกครั้งว่าคุณไม่ได้วางนิ้วมือนบนสวิตช์สั่งงานหรือส่วนสัมผัส และถอดลอคแบตเตอรี่ออกก่อนใส่ตะปูลงในเครื่องยิงตะปู

เมื่อไม่มีตะปูเหลืออยู่ในแม็กกาซีน จะไม่สามารถกดสวิตช์สั่งงานได้อีก ในกรณีนี้ ให้ใส่แถบตะปูใหม่ลงไปในแม็กกาซีน สวิตช์สั่งงานจะสามารถกดได้อีกครั้ง

การตรวจสอบจำนวนตะปูที่เหลืออยู่

คุณสามารถตรวจสอบจำนวนตะปูที่เหลืออยู่ผ่านทางช่องมอง
ไฟเตือนสีแดงจะเลื่อนไปทางช่องยิง เมื่อจำนวนตะปูเข็มที่เหลืออยู่ค่อยๆ ลดลง

► **หมายเลข 18:** 1. ช่องมอง 2. ไฟเตือน

การเอาตะปูที่ติดออก

คำเตือน: ตรวจสอบให้แน่ใจว่าปล่อยสวิตช์สั่งงานและนำดัลลัมแบตเตอรี่ รวมถึงตะปูออกแล้วก่อนนำตะปูที่ติดออก

ข้อควรระวัง: ห้ามสัมผัสตะปูที่ติดด้วยมือเปล่า ตะปูอาจกระเด็นออกจากแม็กกาซีนและทำให้ได้รับบาดเจ็บได้

ถอดสลักเกลียวหกเหลี่ยมบนตัวนำหัวยิงด้วยประแจหกเหลี่ยม
นำตะปูที่ติดออกจากร่องนำตะปูด้วยไขควงปากแบน ยึดตัวนำหัวยิงด้วยสลักเกลียวหกเหลี่ยม

► **หมายเลข 19:** 1. ตัวนำหัวยิง 2. สลักเกลียวหกเหลี่ยม

หมายเหตุ: หลังจากยึดตัวนำหัวยิงแล้ว ให้ตรวจสอบทุกครั้งว่าตัวนำหัวยิงทำงานได้อย่างเหมาะสม หากไม่ให้นำสลักเกลียวหกเหลี่ยมออก แล้วติดตั้งตัวนำหัวยิงใหม่อีกครั้ง

การบำรุงรักษา

ข้อควรระวัง: ตรวจสอบให้แน่ใจว่าได้ปิดสวิตช์เครื่องมือและถอดลัคแบตเตอรี่ออกก่อนทำการตรวจสอบหรือบำรุงรักษา

ข้อสังเกต: อย่าใช้น้ำมันเชื้อเพลิง เบนซิน ทินเนอร์ แอลกอฮอล์ หรือวัสดุประเภทเดียวกัน เนื่องจากอาจทำให้ลีสึตจาง เสียรูป หรือแตกข้าวได้

เพื่อความปลอดภัยและแนวเชื่อถือของผลิตภัณฑ์ ควรให้ศูนย์บริการหรือโรงงานที่ผ่านการรับรองจาก Makita เป็นผู้ดำเนินการซ่อมแซม บำรุงรักษาและทำการปรับตั้งอื่นๆ นอกจากนี้ให้ใช้อะไหล่ของแท้จาก Makita เสมอ

การเปลี่ยนตัวนำห้วยิ่ง

อุปกรณ์เสริม

เปลี่ยนตัวนำห้วยิ่งมาตรฐานกับตัวนำห้วยิ่งเสริมที่เหมาะสมกับการยึดไม้เนื้ออ่อน

1. ถอดสลักเกลียวหกเหลี่ยมบนตัวนำห้วยิ่งด้วยประแจหกเหลี่ยม

▶ **หมายเลข 20:** 1. สลักเกลียวหกเหลี่ยม

2. ดึงตัวนำห้วยิ่งมาตรฐานลงด้านล่าง

▶ **หมายเลข 21:** 1. ตัวนำห้วยิ่งมาตรฐาน

3. ติดตั้งตัวนำห้วยิ่งเสริมโดยการเลื่อนขึ้นช่องตัวนำห้วยิ่ง

▶ **หมายเลข 22:** 1. ตัวนำห้วยิ่งเสริม 2. ช่องตัวนำห้วยิ่ง

4. ยึดตัวนำห้วยิ่งเสริมด้วยสลักเกลียวหกเหลี่ยม

▶ **หมายเลข 23:** 1. สลักเกลียวหกเหลี่ยม

อุปกรณ์เสริม

⚠ ข้อควรระวัง: ขอแนะนำให้ใช้เฉพาะอุปกรณ์เสริมหรืออุปกรณ์ต่อพ่วงเหล่านี้กับเครื่องมือ Makita ที่ระบุในคู่มือการใช้อุปกรณ์เสริมหรืออุปกรณ์ต่อพ่วงอื่นๆ อาจมีความเสี่ยงที่จะได้รับบาดเจ็บ ใช้อุปกรณ์เสริมหรืออุปกรณ์ต่อพ่วงตามวัตถุประสงค์ที่ระบุไว้เท่านั้น

หากต้องการทราบรายละเอียดเพิ่มเติมเกี่ยวกับอุปกรณ์เสริมเหล่านี้ โปรดสอบถามศูนย์บริการ Makita ใกล้บ้านคุณ

- ตะปู
- แวนตานิรภัย
- ตัวนำห้วยิ่ง (สำหรับยึดไม้เนื้ออ่อน)
- แบตเตอรี่และเครื่องชาร์จ Makita ของแท้

หมายเหตุ: อุปกรณ์บางรายการอาจจะรวมอยู่ในชุดเครื่องมือเป็นอุปกรณ์มาตรฐาน ซึ่งอาจแตกต่างกันไปในแต่ละประเทศ

Makita Corporation
3-11-8, Sumiyoshi-cho,
Anjo, Aichi 446-8502 Japan
www.makita.com

885861-374
EN, ZHCN, ID, MS,
VI, TH
20201022