



Original Instruction Manual
Instructions d'emploi d'origine
Originalbetriebsanleitung
Manuale di istruzioni originale
Originele gebruiksaanwijzing
Instrucciones de manejo originales
Instruções de serviço original
Original brugsanvisning
Πρωτότυπο εγχειρίδιο οδηγιών
Orijinal Kullanım Kılavuzu

⚠ Warning:

Read this instruction manual carefully before putting the Multi Function Power Head into operation and strictly observe the safety regulations! Save instruction manual for future reference.

⚠ Avertissement :

Veillez lire attentivement ce mode d'emploi avant d'utiliser l'outil multi-fonctions et respectez strictement les consignes de sécurité ! Conservez ce mode d'emploi pour vous y reporter ultérieurement.

⚠ Warnung:

Lesen Sie vor Verwendung des Multifunktions-Antriebes diese Bedienungsanleitung aufmerksam durch und halten Sie die Sicherheitsregeln strikt ein! Bewahren Sie die Anweisungen zum späteren Nachschlagen auf.

⚠ Avvertenza:

Leggere attentamente il presente manuale di istruzioni prima di mettere in funzione l'utensile multifunzione a benzina e rispettare scrupolosamente le norme per la sicurezza. Conservare il manuale di istruzioni per farvi riferimento in futuro.

⚠ Waarschuwing:

Lees deze gebruiksaanwijzing aandachtig door voordat u het multifunctionele aandrijfsysteem in gebruik neemt en houdt u te allen tijde aan de veiligheidsinstructies! Bewaar de gebruiksaanwijzing om deze in de toekomst te kunnen raadplegen.

⚠ Advertencia:

Lea atentamente este manual de instrucciones antes de utilizar el multifuncional y cumpla estrictamente la normativa de seguridad. Guarde el manual de instrucciones para futuras consultas.

⚠ Aviso:

Leia cuidadosamente este manual de instruções antes de utilizar a Multifuncional a Gasolina e cumpra todas as normas de segurança! Guarde o manual de instruções para referência futura.

⚠ Advarsel:

Læs denne brugsanvisning omhyggeligt igennem inden du anvender det multifunktionelle værktøjshoved og overhold sikkerhedsbestemmelserne til mindste detalje! Gem brugsanvisningen, så du har den til fremtidig brug.

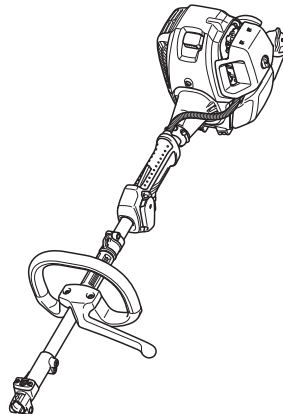
⚠ Προειδοποίηση:

Πριν θέσετε σε λειτουργία τη Βενζινοκίνητη Κεφαλή Πολλαπλών Χρήσεων διαβάσετε προσεκτικά το εγχειρίδιο οδηγιών και εφαρμόσετε αυστηρά τους κανονισμούς ασφαλείας! Φυλάξτε το εγχειρίδιο οδηγιών για μελλοντική αναφορά.

⚠ Uyarı:

Çok Fonksiyonlu Güç Başlığını kullanmaya başlamadan önce bu kullanım kılavuzunu dikkatli bir şekilde okuyun ve güvenlik talimatlarını sıkı bir şekilde takip edin! Kullanım kılavuzunu daha sonra başvurmak üzere saklayın.

EX2650LH



Thank you very much for purchasing the MAKITA Multi Function Power Head. We are pleased to recommend to you the MAKITA Multi Function Power Head which is the result of a long development programme and many years of knowledge and experience.
















Please read this booklet which refers in detail to the various points that will demonstrate its outstanding performance. This will assist you to obtain the best possible result from your MAKITA Multi Function Power Head.



Table of Contents	Page
Symbols.....	2
Safety instructions	3
Technical data.....	7
Approved attachments.....	8
Designation of parts.....	9
Mounting of handle.....	10
Mounting attachment.....	10
Disassembling	11
Before start of operation	12
Correct handling of machine.....	14
Points in operation and how to stop	14
Servicing instructions.....	17
Storage	20

SYMBOLS

You will note the following symbols when reading the instructions manual.

	Read instruction manual and follow the warnings and safety precautions!		Wear protective helmet, eye and ear protection!
	Take particular care and attention!		Fuel (Gasoline)
	Forbidden!		Engine-manual start
	No smoking!		Emergency stop
	No open flame!		First aid
	Protective gloves must be worn!		ON/START
	Wear sturdy boots with nonslip soles. Steeltoed safety boots are recommended!		OFF/STOP
	Keep the area of operation clear of all persons and pets!		

Intended use of the machine

This multi function power head is intended for driving an approved attachment listed in this instruction manual. Never use the machine for the other purpose.

SAFETY INSTRUCTIONS

General instructions

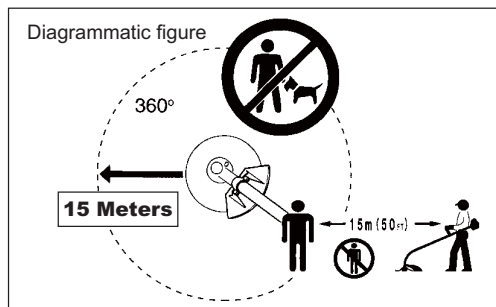
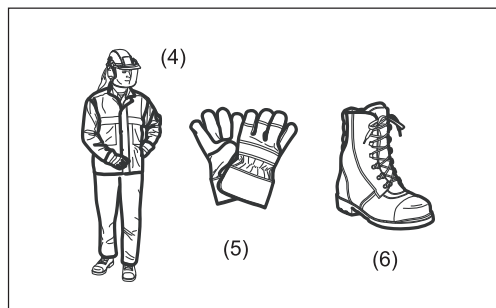
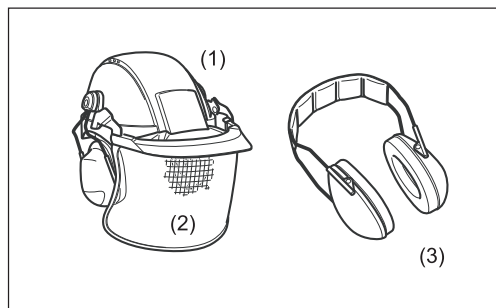
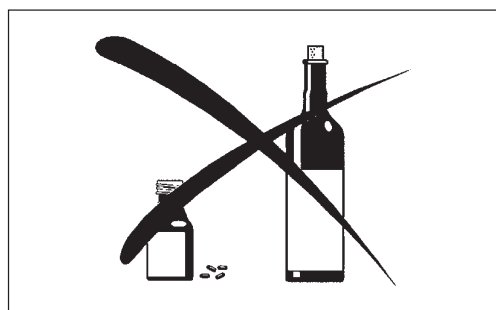
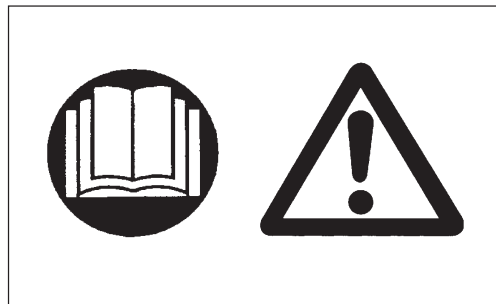
- To ensure correct operation, user has to read this instruction manual to make himself familiar with the handling of the Multi Function Power Head. Users insufficiently informed will risk danger to themselves as well as others due to improper handling.
- It is recommended only to lend the Multi Function Power Head to people who have proven to be experienced with Multi Function Power Heads. Always hand over the instruction manual.
- First users should ask the dealer for basic instructions to familiarize oneself with the handling of an engine powered cutter.
- Children and young persons aged under 18 years must not be allowed to operate the Multi Function Power Head. Persons over the age of 16 years may however use the device for the purpose of being trained only whilst under supervision of a qualified trainer.
- Use Multi Function Power Heads with the utmost care and attention.
- Operate the Multi Function Power Head only if you are in good physical condition. Perform all work calmly and carefully. The user has to accept liability for others.
- Never use the Multi Function Power Head after consumption of alcohol or drugs, or if feeling tired or ill.
- National regulation can restrict the use of the machine.

Personal protective equipment

- The clothing worn should be functional and appropriate, i.e. it should be tight-fitting but not cause hindrance. Do not wear either jewelry or clothing which could become entangled with bushes or shrubs.
- In order to avoid either head-, eye-, hand- or foot injuries as well as to protect your hearing the following protective equipment and protective clothing must be used during operation of the Multi Function Power Head.
- Always wear a helmet where there is a risk of falling objects. The protective helmet (1) is to be checked at regular intervals for damage and is to be replaced at the latest after 5 years. Use only approved protective helmets.
- The visor (2) of the helmet (or alternatively goggles) protects the face from flying debris and stones. During operation of the Multi Function Power Head always wear goggles, or a visor to prevent eye injuries.
- Wear adequate noise protection equipment to avoid hearing impairment (ear muffs (3), ear plugs etc.).
- The work overalls (4) protect against flying stones and debris. We strongly recommend that the user wears work overalls.
- Special gloves (5) made of thick leather are part of the prescribed equipment and must always be worn during operation of the Multi Function Power Head.
- When using the Multi Function Power Head, always wear sturdy shoes (6) with a non-slip sole. This protects against injuries and ensures a good footing.

Starting up the Multi Function Power Head

- Please make sure that there are no children or other people, also pay attention to any animals in the working vicinity.
- Make sure that the attachment is attached in place, the control lever for easy action and check for proper functioning of the lock-off lever.
- Motion of the attachment during idling speed is not allowed. Check with your dealer for adjustment if in doubt. Check for clean and dry handles and test the function of the start/stop switch.

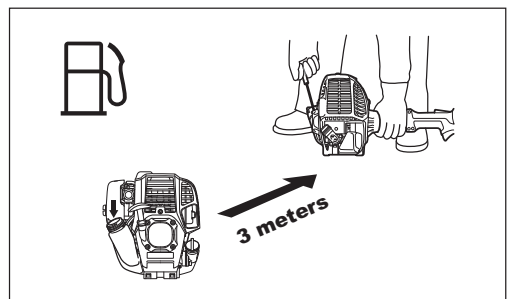
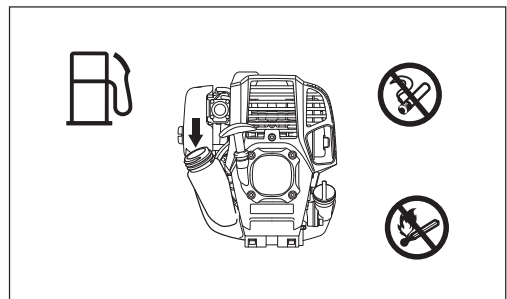
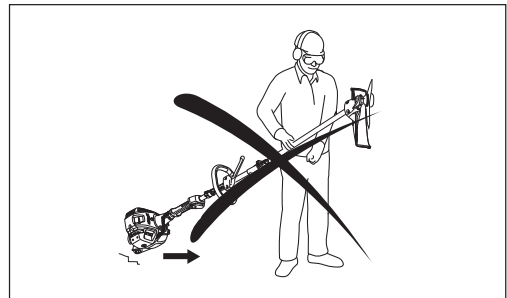
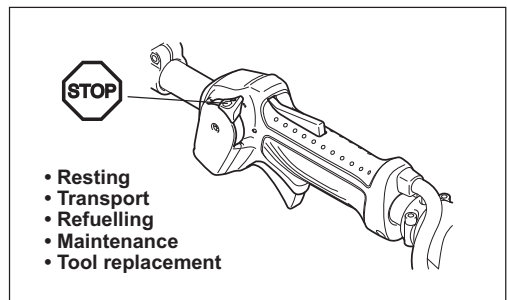
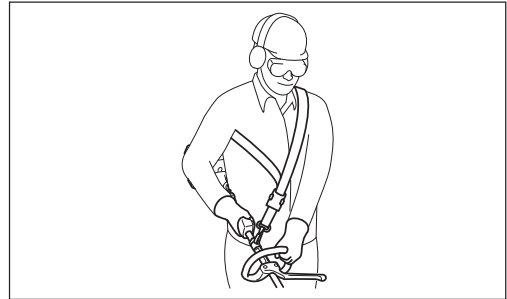
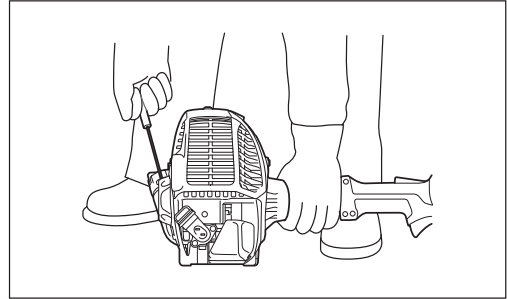


Start the Multi Function Power Head only in accordance with the instructions.

- Do not use any other methods for starting the engine!
- Use the Multi Function Power Head and the tools only for such applications as specified.
- Only start the Multi Function Power Head engine, after the entire assembly is done. Operation of the device is only permitted after all the appropriate accessories are attached!
- Before starting make sure that the attachment has no contact with hard objects such as branches, stones etc. as the attachment will revolve when starting.
- The engine is to be switched off immediately in case of any engine problems.
- Should the attachment hit stones or other hard objects, immediately switch off the engine and inspect the attachment.
- Operate the Multi Function Power Head only with the shoulder strap attached which is to be suitably adjusted before putting the Multi Function Power Head into operation. It is essential to adjust the shoulder strap according to the user size to prevent fatigue occurring during use. Never hold the cutter with one hand during use.
- During operation always hold the Multi Function Power Head with both hands. Always ensure a safe footing.
- Operate the Multi Function Power Head in such a manner as to avoid inhalation of the exhaust gases. Never run the engine in enclosed rooms (risk of gas poisoning). Carbon monoxide is an odorless gas.
- Switch off the engine when resting and when leaving the Multi Function Power Head unattended, and place it in a safe location to prevent danger to others or damage to the machine.
- Never put the hot Multi Function Power Head onto dry grass or onto any combustible materials.
- All protective installations and guards supplied with the machine must be used during operation.
- Never operate the engine with faulty exhaust muffler.
- Shut off the engine during transport.
- During transport over long distances the tool protection included with the equipment must always be used.
- Ensure safe position of the Multi Function Power Head during car transportation to avoid fuel leakage.
- When transporting the Multi Function Power Head, ensure that the fuel tank is completely empty.
- When unloading the Multi Function Power Head from the truck, never drop the engine to the ground or this may severely damage the fuel tank.
- Except in case of emergency, never drop or cast the Multi Function Power Head to the ground or this may severely damage the Multi Function Power Head.
- Remember to lift the entire equipment from the ground when moving the equipment. Dragging the fuel tank is highly dangerous and will cause damage and leakage of fuel, possibly causing fire.
- If the equipment gets heavy impact or fall, check the condition before continuing work. Check the fuel system for fuel leakage and the controls and safety devices for malfunction. If there is any damage or doubt, ask our authorized service center for the inspection and repair.

Refuelling

- Shut off the engine during refuelling, keep away from open flames and do not smoke.
- Avoid skin contact with mineral oil products. Do not inhale fuel vapor. Always wear protective gloves during refuelling. Change and clean protective clothing at regular intervals.
- Take care not to spill either fuel or oil in order to prevent soil contamination (environmental protection). Clean the Multi Function Power Head immediately after fuel has been spilt.
- Avoid any fuel contact with your clothing. Change your clothing instantly if fuel has been spilt on it (to prevent clothing catching fire).
- Inspect the fuel cap at regular intervals making sure that it can be securely fastened and does not leak.
- Carefully tighten the fuel tank cap. Change location to start the engine (at least 3 meters away from the place of refuelling).
- Never refuel in closed rooms. Fuel vapors accumulate at ground level (risk of explosions).
- Only transport and store fuel in approved containers. Make sure the fuel stored is not accessible to children.

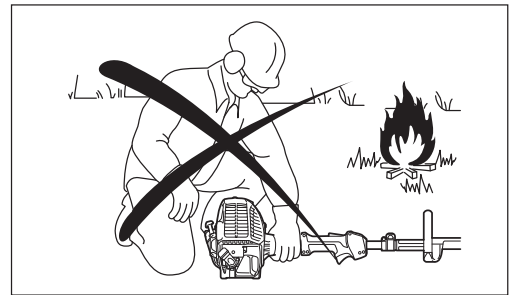


Method of operation

- Only use the Multi Function Power Head in good light and visibility. During the winter season beware of slippery or wet areas, ice and snow (risk of slipping). Always ensure a safe footing.
- Never stand on a ladder and run the Multi Function Power Head.
- Never climb up into trees to perform cutting operation with the Multi Function Power Head.
- Never work on unstable surfaces.
- Before using attachment, the attachment must have reached full working speed.
- Take a rest to prevent loss of control caused by fatigue. We recommend to take a 10 to 20-minute rest every hour.

Maintenance instructions

- Have your equipment serviced by our authorized service center, always using only genuine replacement parts. Incorrect repair and poor maintenance can shorten the life of the equipment and increase the risk of accidents.
- Operate the Multi Function Power Head with as little noise and contamination as possible. In particular check the correct setting of the carburetor.
- Clean the Multi Function Power Head at regular intervals and check that all screws and nuts are well tightened.
- Never service or store the Multi Function Power Head in the vicinity of naked flames.
- Always store the Multi Function Power Head in locked rooms and with an emptied fuel tank.



Observe the relevant accident prevention instructions issued by the relevant trade associations and by the insurance companies. Do not perform any modifications on the Multi Function Power Head as this will endanger your safety.

The performance of maintenance or repair work by the user is limited to those activities as described in the instruction manual. All other work is to be done by an Authorized Service Agent. Use only genuine spare parts and accessories released and supplied by MAKITA. Use of non-approved accessories and tools means increased risk of accidents. MAKITA will not accept any liability for accidents or damage caused by the use of non-approved attachments and fixing devices of attachments, or accessories.

First aid

In case of accident make sure that a first-aid box is available in the vicinity of the cutting operations. Immediately replace any item taken from the first aid box.

When asking for help, please give the following information:

- Place of accident
- What happened
- Number of injured persons
- Kind of injuries
- Your name



Vibration

- People with poor circulation who are exposed to excessive vibration may experience injury to blood vessels or the nervous system. Vibration may cause the following symptoms to occur in the fingers, hands or wrists: "Falling asleep" (numbness), tingling, pain, stabbing sensation, alteration of skin color or of the skin. If any of these symptoms occur, see a physician!
- To reduce the risk of "white finger disease", keep your hands warm during operation and well maintain the equipment and accessories.

EC DECLARATION OF CONFORMITY

We Makita Corporation as the responsible manufacturer declare that the following Makita Machines:

Designation of Machine: Multi Function Power Head
Model No./ Type: EX2650LH
Specifications: see "TECHNICAL DATA EX2650LH" table
are of series production and

Conforms to the following European Directives:

2000/14/EC, 2006/42/EC

And are manufactured in accordance with the following standards or standardised documents:

EN/ISO11806, EN709, EN/ISO10517, EN/ISO11680, EN/ISO12100

The technical documentation is kept by:

Makita International Europe Ltd., Technical Department,
Michigan Drive, Tongwell,
Milton Keynes, Bucks MK15 8JD, England

The conformity assessment procedure required by Directive 2000/14/EC was in accordance with annex V.

EX2650LH with EM400MP (Brushcutter Attachment)

Measured Sound Power Level: 108.5 dB (A)

Guaranteed Sound Power Level: 113 dB (A)

EX2650LH with EM401MP (Brushcutter Attachment)

Measured Sound Power Level: 102.7 dB (A)

Guaranteed Sound Power Level: 105 dB (A)

EX2650LH with ER400MP (String Trimmer Attachment)

Measured Sound Power Level: 109.2 dB (A)

Guaranteed Sound Power Level: 116 dB (A)

EX2650LH with EN400MP (Hedge Trimmer Attachment)

Measured Sound Power Level: 103.8 dB (A)

Guaranteed Sound Power Level: 109 dB (A)

EX2650LH with EN400MP (Hedge Trimmer Attachment) and LE400MP (Shaft Extension Attachment)

Measured Sound Power Level: 104.0 dB (A)

Guaranteed Sound Power Level: 106 dB (A)

The EC-Type Examination Certificate No. as a pole saw with EY400MP, EY401MP, LE400MP is:

4811004.11016

The EC-Type Examination per 2006/42/EC was performed by:

DEKRA Testing and Certification GmbH
Enderstraße 92b
01277 Dresden, Germany
Identification No. 2140

30. 1. 2012



Tomoyasu Kato
Director
Makita Corporation
3-11-8, Sumiyoshi-cho,
Anjo, Aichi, 446-8502, JAPAN

TECHNICAL DATA EX2650LH

Model	EX2650LH	
	Loop handle	
Dimensions: length x width x height (without cutting blade) with barrier	mm	975 x 323 x 241
Dimensions: length x width x height (without cutting blade) without barrier	mm	975 x 242 x 241
Mass (without plastic guard and cutting blade)	kg	4.6
Volume (fuel tank)	L	0.6
Volume (oil reservoir)	L	0.08
Engine displacement	cm ³	25.4
Maximum engine performance	kw	0.77 at 7,000 min ⁻¹
Engine speed at recommended max. spindle speed	min ⁻¹	8,500
Maximum spindle speed (corresponding)	min ⁻¹	6,500
Maximum fuel consumption	kg/h	0.33
Maximum specific fuel consumption	g/kwh	408
Idling speed	min ⁻¹	3,000
Clutch engagement speed	min ⁻¹	3,900
Carburetor	type	WALBRO WYL
Ignition system	type	Solid state ignition
Spark plug	type	NGK CMR4A
Electrode gap	mm	0.7 - 0.8
Fuel	Automobile gasoline	
Engine oil	SAE 10W-30 oil of API Classification, Class SF or higher (4-stroke engine for automobile)	

Vibration

Attachment	Right handle (Rear grip)		Left handle (Front grip)		Applicable standards
	$a_{hv\ eq}$ (m/s ²)	Uncertainty K (m/s ²)	$a_{hv\ eq}$ (m/s ²)	Uncertainty K (m/s ²)	
EM400MP	6.5	1.2	5.9	1.8	ISO 22867
EM401MP	5.6	2.1	4.8	1.0	ISO 22867
ER400MP	7.1	2.8	5.5	2.7	ISO 22867
EY400MP	9.4	2.0	4.2	2.0	ISO 22867
EY400MP + LE400MP	4.8	2.0	3.4	2.0	ISO 22867
EY401MP	6.5	2.0	3.8	2.0	ISO 22867
EY401MP + LE400MP	5.6	2.0	3.4	2.0	ISO 22867
EN400MP	8.4	1.8	5.0	0.7	ISO 10517
EN400MP + LE400MP	8.0	1.7	4.3	0.7	ISO 10517
KR400MP	5	1.1	4.4	2.3	ISO 22867
EJ400MP	7.1	1.5	4.9	1.5	ISO 22867
EJ400MP + LE400MP	6.4	0.6	4.0	0.7	ISO 22867

Noise

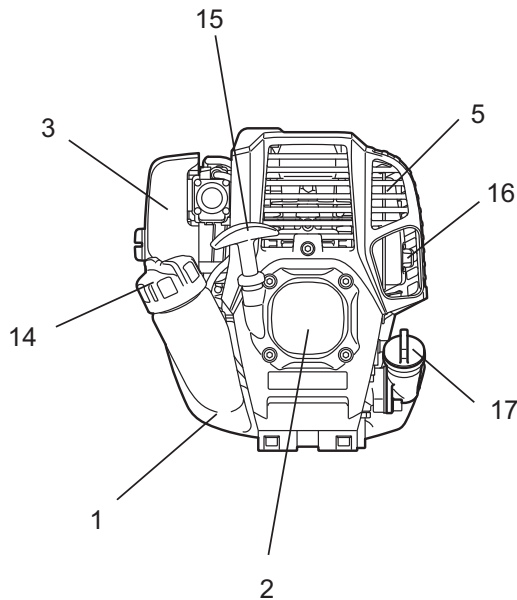
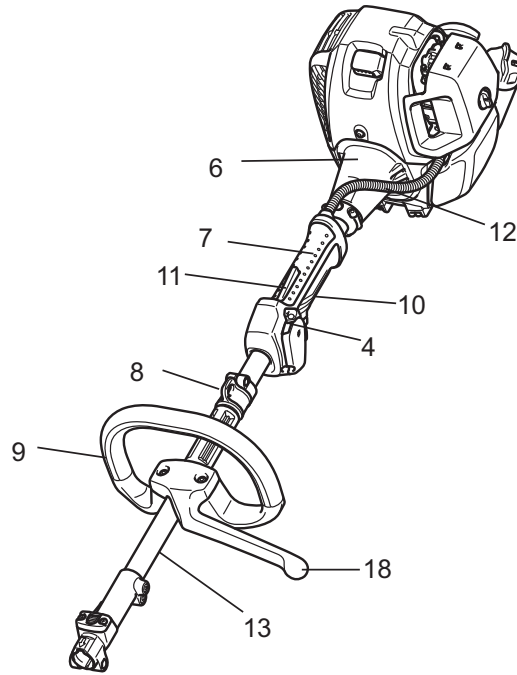
Attachment	Sound pressure level average		Sound power level average		Applicable standards
	L _{PA eq}	Uncertainty K	L _{WA eq}	Uncertainty K	
EM400MP	95.0	4.4	105.5	3.3	ISO 22868
EM401MP	89.9	3.6	99.7	2.7	ISO 22868
ER400MP	97.9	4.2	106.2	4.0	ISO 22868
EY400MP	93.0	2.5	104.5	2.5	ISO 22868
EY400MP + LE400MP	90.3	2.5	107.8	2.5	ISO 22868
EY401MP	92.6	2.5	104.7	2.5	ISO 22868
EY401MP + LE400MP	90.5	2.5	107.9	2.5	ISO 22868
EN400MP	93.1	4.4	102.9	4.8	ISO 10517
EN400MP + LE400MP	87.8	1.9	103.0	2.0	ISO 10517
KR400MP	93.7	2.6	99.7	1.2	ISO 22868
EJ400MP	89.0	2.3	99.8	1.1	ISO 22868
EJ400MP + LE400MP	88.1	2.2	100.8	2.3	ISO 22868

APPROVED ATTACHMENTS

ATTACHMENTS	Models
Brushcutter Attachment	EM400MP, EM401MP
String Trimmer Attachment	ER400MP
Pole Saw Attachment	EY400MP, EY401MP
Hedge Trimmer Attachment	EN400MP
Cultivator Attachment	KR400MP
Coffee Harvester Attachment	EJ400MP
Shaft Extension Attachment	LE400MP

DESIGNATION OF PARTS

EX2650LH



GB	DESIGNATION OF PARTS
1	Fuel tank
2	Rewind starter
3	Air cleaner
4	I-O switch (on/off)
5	Exhaust muffer
6	Clutch case
7	Rear grip
8	Hanger
9	Handle
10	Throttle lever
11	Lock-off lever
12	Control cable
13	Shaft
14	Fuel filler cap
15	Starter knob
16	Exhaust pipe
17	Oil cap
18	Barrier*

Note: In some countries, the barrier is not provided with the tool.

MOUNTING OF HANDLE

CAUTION: Before doing any work on the Multi Function Power Head, always stop the engine and pull the spark plug connector off the spark plug. Always wear protective gloves!

CAUTION: Start the Multi Function Power Head only after having assembled it completely.

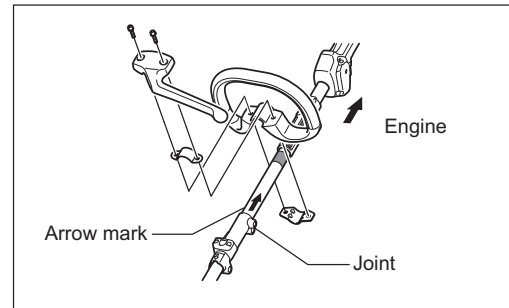


Assembling loop handle

- Securely fit the barrier and grip onto the shaft pipe with two screws and clamps. At this time, put the barrier on the left side of the machine as illustrated.
- Make sure that the grip/barrier assembly is located between the spacer and the arrow mark. Do not remove or shrink the spacer.
- Once assembled, do not remove the barrier.

CAUTION: Never install the grip on the label or joint.

Note: In some countries, the barrier and arrow mark are not provided with the tool.



MOUNTING ATTACHMENT

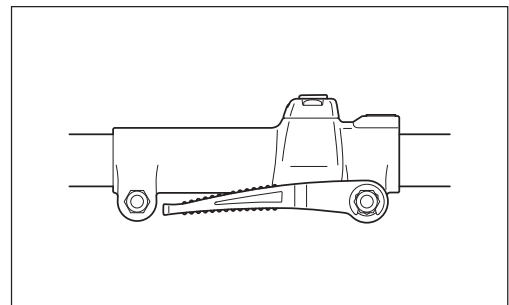
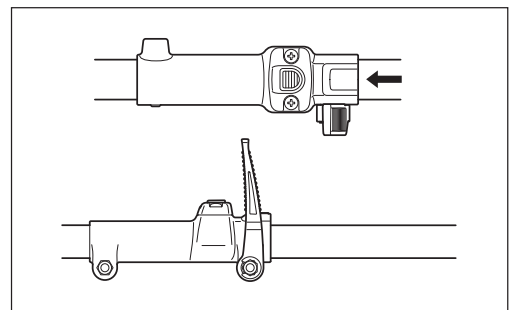
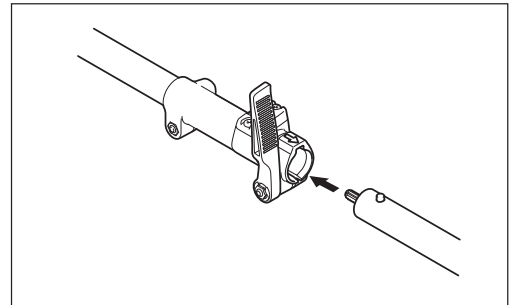
CAUTION: Before doing any work on the Multi Function Power Head, always stop the engine and pull the spark plug connector off the spark plug. Always wear protective gloves!

CAUTION: Start the Multi Function Power Head only after having assembled it completely.



Assembly

- Loosen lever.
- Align the attachment's pin with the joint's groove and insert pin.
- Insert attachment up to the arrow position of attachment. And, check to see that button has risen.
- Tighten lever.
(See diagram on right for guideline.)

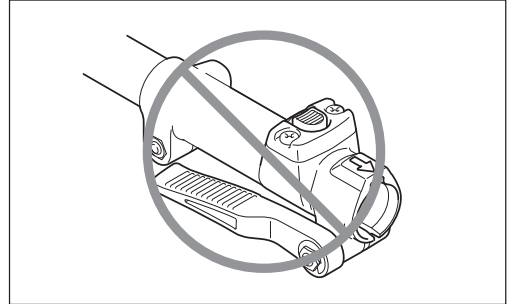
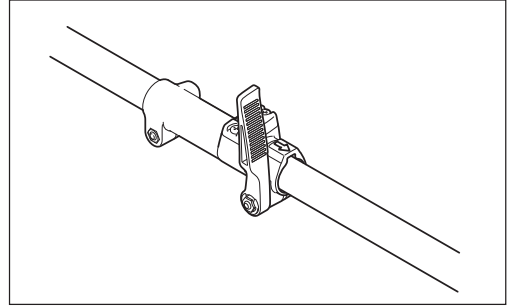


DISASSEMBLING

- Loosen lever.
- Press button and extract attachment.
(As much as possible, try to extract the attachment in a straight line.)

Note:

- Do not leave the lever in a tightened state when attachment is not attached.



BEFORE START OF OPERATION

Inspection and refill of engine oil

- Perform the following procedure, with the engine cooled down.
- Set the engine level, remove oil cap (Fig. 1), and check to see whether or not there is oil in the range between the upper limit and lower limit marks of the oil pipe (Fig. 2).
- Top up with oil to upper limit mark if oil is insufficient (oil level is close to lower limit mark) (Fig. 3).
- The area surrounding the external marks is transparent, so the amount of oil inside can be checked without having to remove the oil cap. However, if oil pipe becomes extremely dirty, visibility may be lost, and oil level will have to be checked against stepped section on inside of oil pipe.
- For reference, the oil refill time is about 10h (every 10 refuellings).
If the oil changes in color or mixes with dirt, replace it with new one. (For the interval and method of replacement, refer to P 17)

Recommended oil: SAE 10W-30 oil of API Classification, Class SF or higher (4-stroke engine for automobile)

Oil volume: Approx. 0.08L

Note: If the engine is not kept upright, oil may go into around the engine, and may be refilled excessively.
If the oil is filled above the limit, the oil may be contaminated or may catch fire with white smoke.

Point 1 in Replacement of oil: "Oil cap"

- Remove dust or dirt near the oil refill port, and detach the oil cap.
- Keep the detached oil cap free of sand or dust. Otherwise, any sand or dust adhering to the oil cap may cause irregular oil circulation or wear on the engine parts, which will result in troubles.

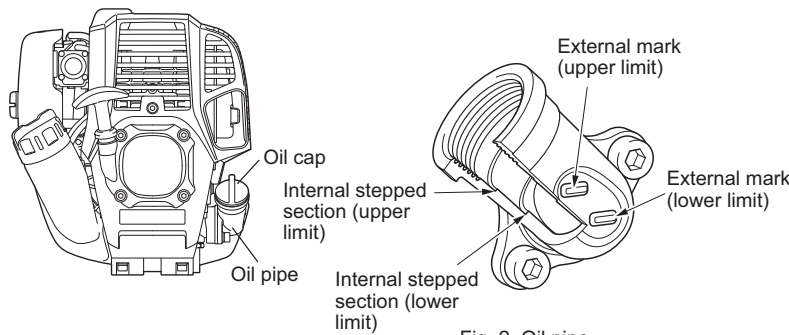


Fig. 1

Fig. 2 Oil pipe

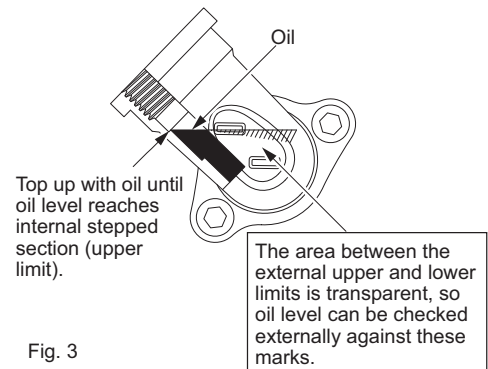
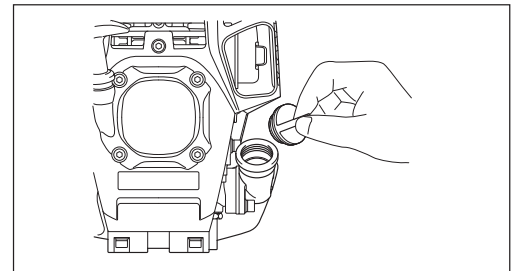
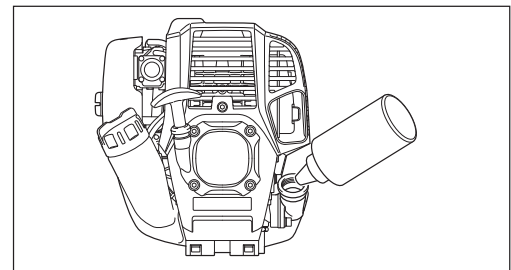


Fig. 3

- (1) Keep the engine level, and detach the oil cap.



- (2) Fill with oil to upper limit mark. (see Fig. 3)
Use oil bottle when filling.



- (3) Securely tighten the oil cap. Insufficient tightening may cause oil leakage.

Note

- Do not replace oil with the engine in a tilted position.
- Filling with oil while engine is tilted leads to overfilling which causes oil contamination and/or white smoke.

Point 2 in Replacement of oil: "If oil spills out"

- If oil spills out between the fuel tank and engine main unit, the oil is sucked into through the cooling air intake port, which will contaminate the engine. Be sure to wipe out spilt oil before start of operation.

REFUELING

Handling of fuel

It is necessary to handle fuel with utmost care. Fuel may contain substances similar to solvents. Refueling must be performed in a sufficiently ventilated room or in the open air. Never inhale fuel vapor, and keep fuel away from you. If you touch fuel repeatedly or for a long time, the skin becomes dry, which may cause skin disease or allergy. If fuel enters into the eye, clean the eye with fresh water. If your eye remains still irritated, consult your doctor.

Storage period of fuel

Fuel should be used up within a period of 4 weeks, even if it is kept in a special container in a well-ventilated shade. If a special container is not used or if the container is not covered, fuel may deteriorate in one day.

STORAGE OF MACHINE AND REFILL TANK

- Keep the machine and tank at a cool place free from direct sunshine.
- Never keep the fuel in the cabin or trunk.

Fuel

The engine is a four-stroke engine. Be sure to use an automobile gasoline (regular gasoline or premium gasoline).

Points for fuel

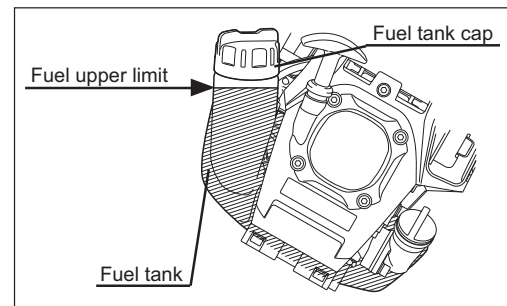
- Never use a gasoline mixture which contains engine oil. Otherwise, it will cause excessive carbon accumulation or mechanical troubles.
- Use of deteriorated oil will cause irregular startup.

Refueling

WARNING: INFLAMMABLES STRICTLY PROHIBITED

Gasoline used: Automobile gasoline (unleaded gasoline)

- Loosen the tank cap a little so that there will be no difference in atmospheric pressure.
 - Detach the tank cap, and refuel, discharging air by tilting the fuel tank so that the refuel port will be oriented upward. (Never refill fuel full to the oil refill port.)
 - Wipe well the periphery of the tank cap to prevent foreign matter from entering into the fuel tank.
 - After refueling, securely tighten the tank cap.
-
- If there is any flaw or damage on the tank cap, replace it.
 - The tank cap is consumable, and therefore should be renewed every two to three years.



CORRECT HANDLING OF MACHINE

Attachment of shoulder strap

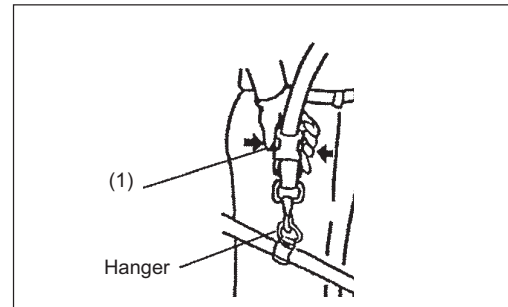
- Adjust the strap to the suitable length for your operation.

Detachment

- In an emergency, push the notches (1) at both sides, and you can detach the machine from you.

Be extremely careful to maintain control of the machine at this time. Do not allow the machine to be deflected toward you or anyone in the work vicinity.

WARNING: Failure to maintain complete control of the machine at all could result in serious bodily injury or DEATH.



POINTS IN OPERATION AND HOW TO STOP

Observe the applicable accident prevention regulations!

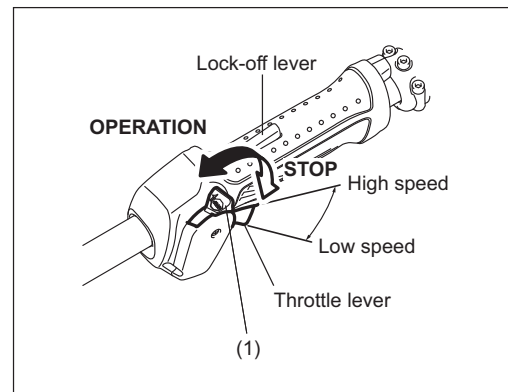


STARTING

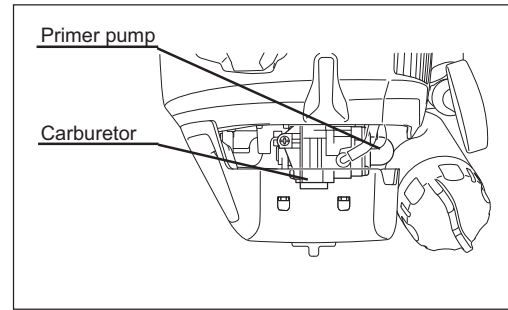
Move at least 3 m away from the place of refuelling. Place the Multi Function Power Head on a clean piece of ground taking care that the attachment does not come into contact with the ground or any other objects.

A: Cold start

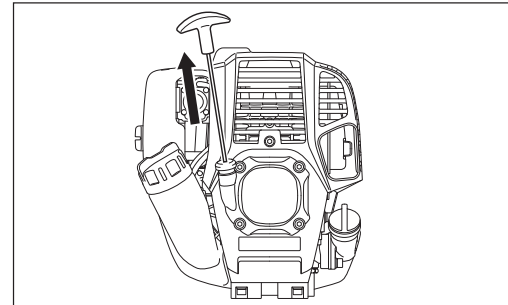
- 1) Set this machine on a flat space.
- 2) Set the I-O switch (1) to OPERATION.



- 3) Primer pump
Continue to push the primer pump until fuel enters into the primer pump. (In general, fuel enters into the primer pump by 7 to 10 pushes.)
If the primer pump is pushed excessively, an excess of gasoline returns to the fuel tank.



- 4) Recoil starter
Pull the start knob gently until it is hard to pull (compression point). Then, return the start knob, and pull it strongly.
Never pull the rope to the full. Once the start knob is pulled, never release your hand immediately. Hold the start knob until it returns to its original point.
- 5) Warm-up operation
Continue warm-up operation for 2 to 3 minutes.



Note: In case of excessive fuel intake, remove the spark plug and pull the starter handle slowly to remove excess fuel. Also, dry the electrode section of the spark plug.

Caution during operation:

If the throttle lever is opened fully in a no-load operation, the engine rotation is increased to 10,000 min⁻¹ or more. Never operate the engine at a higher speed than required and at an approximate speed of 6,000 - 8,500 min⁻¹.

B: Startup after warm-up operation

- 1) Push the primer pump repeatedly.
- 2) Keep the throttle lever at the idling position.
- 3) Pull the recoil starter strongly.
- 4) If it is difficult to start the engine, open the throttle by about 1/3.
Pay attention to the attachment which may rotate.

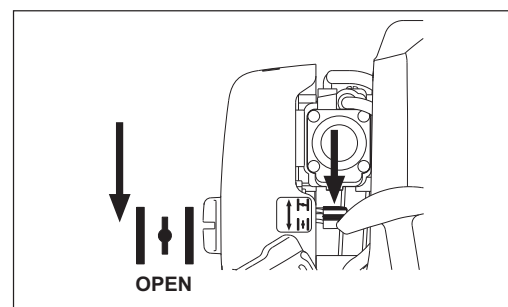
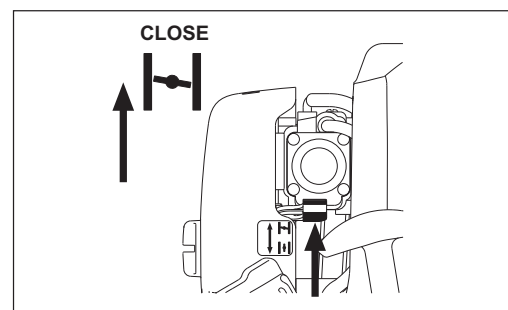
At times, such as winter, when starting the engine is difficult

Operate choke lever with the following procedure when starting engine.

- After implementing startup steps 1) to 3), set choke lever to the CLOSE position.
- Implement startup step 4) and start engine.
- Once engine starts, set choke lever to the OPEN position.
- Implement startup step 5) and complete warm up.

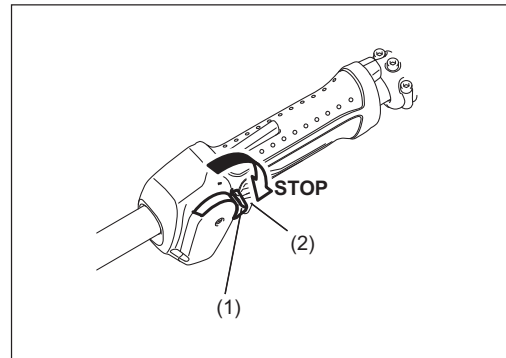
CAUTION: If a bang (explosive sound) is heard and the engine stops, or the just-started engine stalls before the choke lever is operated, return the choke lever to the OPEN position, and pull the starter knob a few times again to start the engine.

CAUTION: If the choke lever is left in the CLOSE position, and the starter knob merely pulled repeatedly, too much fuel will be sucked in, and the engine will become difficult to start.



STOPPING

- 1) Release the throttle lever (2) fully, and when the engine rpm has lowered, set the I-O switch to STOP the engine will now stop.
- 2) Be aware that the attachment may not stop immediately and allow it to slow down fully.

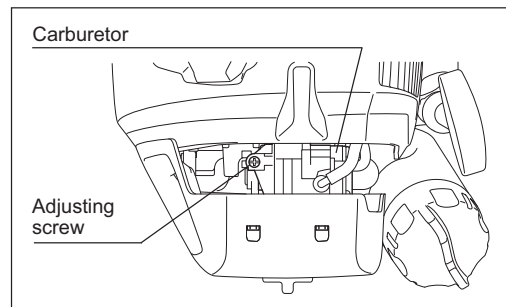


ADJUSTMENT OF LOW-SPEED ROTATION (IDLING)

When it is necessary to adjust the low-speed rotation (idling), perform it by the carburetor adjusting screw.

CHECKUP OF LOW-SPEED ROTATION

- Set the low-speed rotation to $3,000 \text{ min}^{-1}$.
If it is necessary to change the rotation speed, regulate the adjusting screw (illustrated on the right), with Phillips screwdriver.
- Turn the adjusting screw to the right, and the engine rotation will increase. Turn the adjusting screw to the left, and the engine rotation will drop.
- The carburetor is generally adjusted before shipment. If it is necessary to readjust it, please contact Authorized Service Agent.



SERVICING INSTRUCTIONS

CAUTION: Before doing any work on the Multi Function Power Head, always stop the engine and pull the plug cap off the spark plug (see "checking the spark plug").

Always wear protective gloves!

Never use gasoline, benzine, thinner, alcohol or the like. Discoloration, deformation or cracks may result.

To ensure a long service life and to avoid any damage to the equipment, the following servicing operations should be performed at regular intervals.

Daily checkup and maintenance

- Before operation, check the machine for loose screws or missing parts. Pay particular attention to a specified attachment for mounting in place securely.
- Before operation, always check for clogging of the cooling air passage and the cylinder fins. Clean them if necessary.
- Perform the following work daily after use:
 - Clean the Multi Function Power Head externally and inspect for damage.
 - Clean the air filter. When working under extremely dusty conditions, clean the filter several times a day.
 - Check that there is sufficient difference between idling and engagement speed to ensure that the attachment is at a standstill while the engine is idling (if necessary reduce idling speed).
If under idling conditions the tool should still continue to run, consult your nearest Authorized Service Agent.
- Check the functioning of the I-O switch, the lock-off lever and the control lever.

REPLACEMENT OF ENGINE OIL

Deteriorated engine oil will shorten the life of the sliding and rotating parts to a great extent. Be sure to check the period and quantity of replacement.



ATTENTION: In general, the engine main unit and engine oil still remain hot just after the engine is stopped. In replacement of oil, confirm that the engine main unit and engine oil are sufficiently cooled down. Otherwise, there may remain a risk of scald.

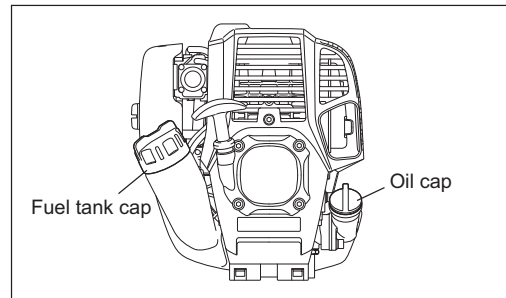
Note: If the oil filled above the limit, it may be contaminated or may catch fire with white smoke.

Interval of replacement: Initially, every 20 operating hours, and subsequently every 50 operating hours

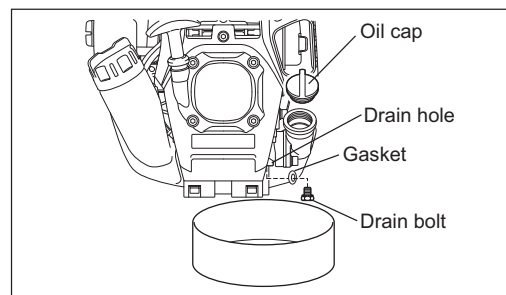
Recommended oil: SAE10W-30 oil of API Classification SF Class or higher (4-stroke engine oil for automobile)

In replacement, perform the following procedure.

- 1) Confirm that the fuel tank cap is tightened securely.
- 2) Place large container (pan, etc.) under drain hole.



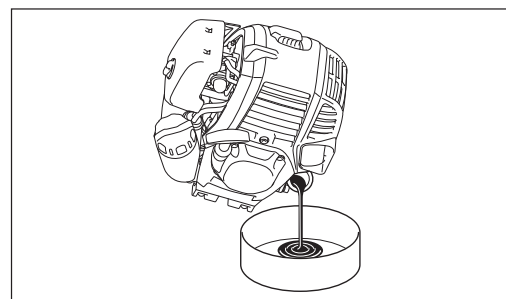
- 3) Remove drain bolt and then remove oil cap to drain out oil from drain hole. At this time, be sure not to mislay drain bolt's gasket, or to make dirty any of the removed components.
- 4) Once all the oil has been drained, combine gasket and drain bolt, and tightly secure drain bolt, so that it will not loosen and cause leaks.
* Use cloth to fully wipe off any oil attached to bolt and equipment.



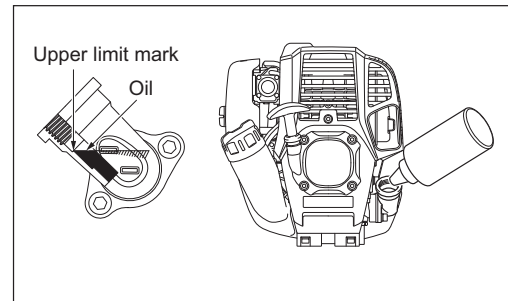
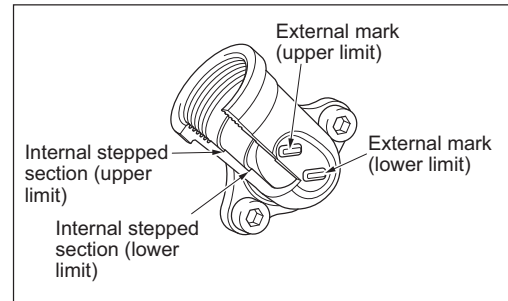
Alternative draining method

Remove oil cap, tilt Multi Function Power Head toward oil filler hole, and drain out oil.

Collect oil in container.



- 5) Set the engine level, and gradually fill up to upper limit mark with new oil.
- 6) After filling, tightly secure oil cap, so that it will not loosen and cause leaks. If oil cap is not tightly secured, it may leak.



POINTS ON OIL

- Never discard replaced engine oil in garbage, earth or sewage ditch. Disposal of oil is regulated by law. In disposal, always follow the relevant laws and regulations. For any points remaining unknown, contact Authorized Service Agent.
- Oil will deteriorate even when it is kept unused. Perform inspection and replacement at regular intervals (replace with new oil every 6 months).

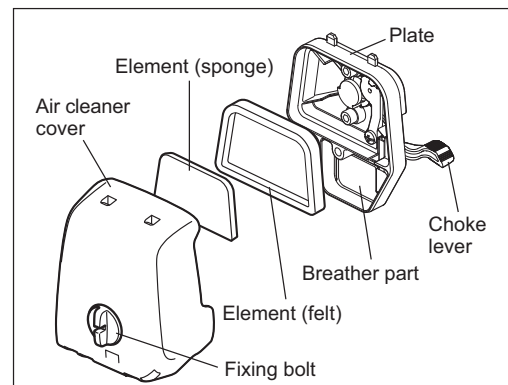
CLEANING OF AIR CLEANER



DANGER: INFLAMMABLES STRICTLY PROHIBITED

Interval of cleaning and inspection: Daily (every 10 operating hours)

- Turn the choke lever to the full close side, and keep the carburetor off from dust or dirt.
- Loosen the fixing bolt.
- Remove the air cleaner cover by pulling its bottom side.
- Remove the elements and tap them to remove dirt.
- If the elements are heavily contaminated: Remove the elements, immerse them in warm water or in water-diluted neutral detergent, and dry them completely. Do not squeeze or rub them when washing.
- Before attaching the elements, be sure to dry them completely. Insufficient drying of the elements may lead to difficult startup.
- Wipe out oil adhering around the air cleaner cover and the breather part with waste cloth.
- Fit the element (sponge) into the element (felt).
- Fit the elements into the plate so that the sponge faces the air cleaner cover.
- Immediately attach the cleaner cover and tighten it with fixing bolts. (In remounting, first place the upper claw, and then the lower claw.)



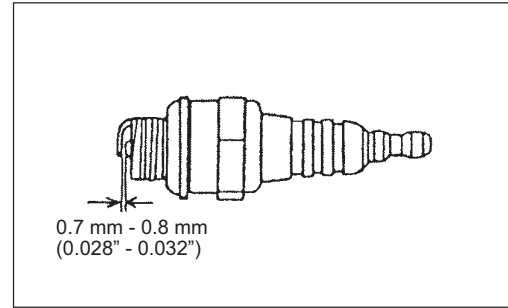
NOTICE:

- Clean the elements several times a day, if excessive dust adheres to it. Dirty elements reduce engine power and make starting engine difficult.
- Remove oil on the elements. If operation continues with the elements remaining not cleared of oil, oil in the air cleaner may fall outside, resulting in contamination of the environment.
- Do not put the elements on the ground or dirty place. Otherwise they pick up dirt or debris and it may damage the engine.
- Never use fuel for cleaning the elements. Fuel may damage them.

CHECKING THE SPARK PLUG

- Only use the supplied universal wrench to remove or to install the spark plug.
- The gap between the two electrodes of the spark plug should be 0.7 - 0.8 mm (0.028" - 0.032"). If the gap is too wide or too narrow, adjust it. If the spark plug is clogged or contaminated, clean it thoroughly or replace it.

CAUTION: Never touch the spark plug connector while the engine is running (danger of high voltage electric shock).



CLEANING OF FUEL FILTER

WARNING: INFLAMMABLES STRICTLY PROHIBITED

Interval of cleaning and inspection: Monthly (every 50 operating hours)

Suction head in the fuel tank

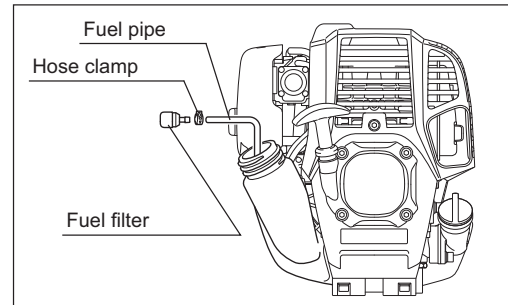
Check the fuel filter periodically. To check the fuel filter, follow the steps below.

- (1) Remove the fuel tank cap, drain the fuel to empty the tank. Check the tank inside for any foreign materials. If any, remove them.
- (2) Pull out the suction head by using a wire hook through the tank opening.
- (3) If the fuel filter clogged slightly, clean it. To clean it, gently shake and tap it in fuel. To avoid damage, do not squeeze or rub it. The fuel used for the cleaning must be disposed in accordance with the method specified by regulations in your country.

If the fuel filter became hard or heavily clogged up, replace it.

- (4) After checking, cleaning or replacing, push the fuel filter in all the way to the bottom of the fuel tank.

Clogged or damaged fuel filter can cause insufficient fuel supply and reduce engine power. Replace the fuel filter at least quarterly to ensure satisfactory fuel supply to the carburetor.



REPLACEMENT OF FUEL PIPE

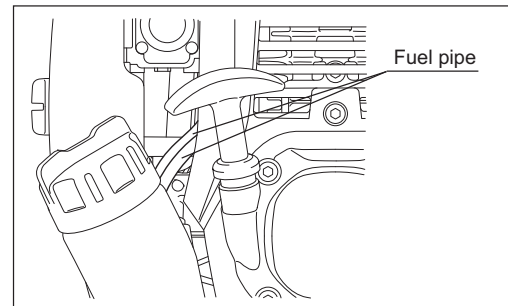
CAUTION: INFLAMMABLES STRICTLY PROHIBITED

Interval of cleaning and inspection: Daily (every 10 operating hours)

Replacement: Annually (every 200 operating hours)

Replace the fuel pipe every year, regardless of operating frequency. Fuel leakage may lead to fire.

If any leakage is detected during inspection, replace the fuel pipe immediately.



INSPECTION OF BOLTS, NUTS AND SCREWS

- Retighten loose bolts, nuts, etc.
- Check for fuel and oil leakage.
- Replace damaged parts with new ones for safety operation.

CLEANING OF PARTS

- Keep the engine always clean.
- Keep the cylinder fins free of dust or dirt. Dust or dirt adhering to the fins will cause piston seizure.

REPLACEMENT OF GASKETS AND PACKINGS

In reassembling after the engine is dismantled, be sure to replace the gaskets and packings with new ones.

Any maintenance of adjustment work that is not included and described in this manual is only to be performed by Authorized Service Agents.

STORAGE

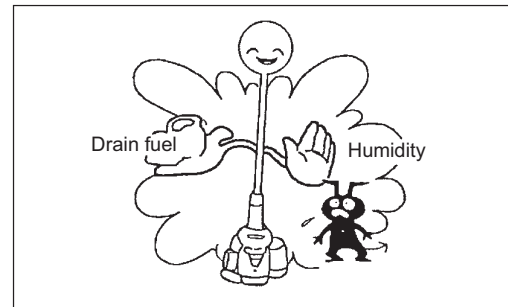


WARNING: When draining the fuel, be sure to stop the engine and confirm that the engine cools down.
Just after stopping the engine, it may still hot with possibility of burns, inflammability and fire.



ATTENTION: When the machine is kept out of operation for a long time, drain up all fuel from the fuel tank and carburetor, and keep it at a dry and clean place.

- Drain up fuel from the fuel tank and carburetor according to the following procedure:
 - 1) Remove the fuel tank cap, and drain fuel completely.
If there is any foreign matter remaining in the fuel tank, remove it completely.
 - 2) Pull out the fuel filter from the refill port using a wire.
 - 3) Push the primer pump until fuel is drained from there, and drain fuel coming into the fuel tank.
 - 4) Reset the filter to the fuel tank, and securely tighten the fuel tank cap.
 - 5) Then, continue to operate the engine until it stops.
- Remove the spark plug, and drip several drops of engine oil through the spark plug hole.
- Gently pull the starter handle so that engine oil will spread over the engine, and attach the spark plug.
- Do not move the lever in the lock position while not mounting the attachment. The lever in the lock position without the attachment being mounted does not allow the pole shaft of the attachment to be mounted.
- During storage, keep the rod horizontal or keep the machine upright with the joint edge oriented upward. (In this case, pay full attention to prevent the machine from falling.)
Never store the machine with the joint oriented downward. Lubricating oil may spill out.
- Keep the drained fuel in a special container in a well-ventilated shade.



Attention after long-time storage

- Before startup after long-time shutdown, be sure to replace oil (refer to P 17). Oil will deteriorate while the machine is kept out of operation.

Fault location

Fault	System	Observation	Cause
Engine not starting or with difficulty	Ignition system	Ignition spark O.K.	Fault in fuel supply or compression system, mechanical defect
		No ignition spark	STOP-switch operated, wiring fault or short circuit, spark plug or connector defective, ignition module faulty
	Fuel supply	Fuel tank filled	Incorrect choke position, carburetor defective, fuel supply line bent or blocked, fuel dirty
	Compression	No compression when pulled over	Cylinder bottom gasket defective, crankshaft seals damaged, cylinder or piston rings defective or improper sealing of spark plug
Warm start problems	Mechanical fault	Starter not engaging	Broken starter spring, broken parts inside of the engine
		Tank filled ignition spark existing	Carburetor contaminated, have it cleaned
Engine starts but dies	Fuel supply	Tank filled	Incorrect idling adjustment, carburetor contaminated Fuel tank vent defective, fuel supply line interrupted, cable or STOP-switch faulty
Insufficient performance	Several systems may simultaneously be affected	Engine idling poor	Air filter contaminated, carburetor contaminated, muffler clogged, exhaust duct in the cylinder clogged

Item	Operating time								
		Before operation	After lubrication	Daily (10h)	30h	50h	200h	Shutdown/rest	Corresponding P
Engine oil	Inspect/clean	○							13
	Replace					○*1			17
Tightening parts (bolt, nut)	Inspect	○							19
Fuel tank	Clean/inspect	○							—
	Drain fuel							○*3	20
Throttle lever	Check function		○						—
Stop switch	Check function		○						16
Low-speed rotation	Inspect/adjust			○					16
Air cleaner	Clean			○					18
Ignition plug	Inspect			○					19
Cooling air duct	Clean/inspect			○					19
Fuel pipe	Inspect			○					19
	Replace						◎*2		—
Fuel filter	Clean/replace					○			19
Clearance between air intake valve and air discharge valve	Adjust						◎*2		—
Engine overhaul							◎*2		—
Carburetor	Drain fuel							○*3	20

*1 Perform initial replacement after 20h operation.

*2 For the 200 operating hour inspection, request Authorized Service Agent or a machine shop.

*3 After emptying the fuel tank, continue to run the engine and drain fuel in the carburetor.

Check instruction manuals for each attachment, and carry out maintenance on them when they are being used.

TROUBLESHOOTING

Before making a request for repairs, check a trouble for yourself. If any abnormality is found, control your machine according to the description of this manual. Never tamper or dismount any part contrary to the description. For repairs, contact Authorized Service Agent or local dealership.

State of abnormality	Probable cause (malfunction)	Remedy
Engine does not start	Failure to operate primer pump	Push 7 to 10 times
	Low pulling speed of starter rope	Pull strongly
	Lack of fuel	Feed fuel
	Clogged fuel filter	Clean
	Broken fuel tube	Straighten fuel tube
	Deteriorated fuel	Deteriorated fuel makes starting more difficult. Replace with new one. (Recommended replacement: 1 month)
	Excessive suction of fuel	Set throttle lever from medium speed to high speed, and pull starter handle until engine starts. Once engine starts, attachment starts rotating or moving. Pay full attention to attachment. If engine will not start still, remove spark plug, make electrode dry, and reassemble them as they originally are. Then, start as specified.
	Detached plug cap	Attach securely
	Contaminated spark plug	Clean
	Abnormal clearance of spark plug	Adjust clearance
	Other abnormality of spark plug	Replace
	Abnormal carburetor	Make request for inspection and maintenance.
	Starter rope cannot be pulled	Make request for inspection and maintenance.
	Abnormal drive system	Make request for inspection and maintenance.
Engine stops soon Engine speed does not increase	Insufficient warm-up	Perform warm-up operation
	Choke lever is set to "CLOSE" although engine is warmed up.	Set to "OPEN"
	Clogged fuel filter	Clean or replace
	Contaminated or clogged air cleaner	Clean
	Abnormal carburetor	Make request for inspection and maintenance.
	Abnormal drive system	Make request for inspection and maintenance.
Attachment does not rotate or move ↓ Stop engine immediately	Attachment not inserted to the specified point.	Insert as instructed.
Main unit vibrates abnormally ↓ Stop engine immediately	Attachment not inserted to the specified point.	Insert as instructed.
	Loosened lever	Tighten securely.
	Abnormal drive system	Make request for inspection and maintenance.
Attachment does not stop immediately ↓ Stop engine immediately	High idling rotation	Adjust
	Detached throttle wire	Attach securely
	Abnormal drive system	Make request for inspection and maintenance.
Engine does not stop ↓ Run engine at idling, and set choke lever to CLOSE	Detached connector	Attach securely
	Abnormal electric system	Make request for inspection and maintenance.

When the engine does not start after warm-up operation:

If there is no abnormality found for the check items, open the throttle by about 1/3 and start the engine.

Merci beaucoup d'avoir choisi cet outil multi-fonctions MAKITA. Nous sommes ravis de vous recommander l'outil multi-fonctions de MAKITA, résultat d'un long programme de développement et de nombreuses années d'expérience et de connaissances.
















Veuillez lire ce livret qui explique en détails les nombreuses caractéristiques qui en font un outil d'une performance exceptionnelle. Elles vous aideront à obtenir les meilleurs résultats possibles de votre outil multi-fonctions MAKITA.



Table des matières	Page
Symboles.....	23
Consignes de sécurité.....	24
Données techniques.....	28
Pièces de fixation agréées.....	29
Nomenclature des pièces.....	30
Montage de la poignée.....	31
Montage de la pièce de fixation.....	31
Démontage.....	32
Avant de commencer.....	33
Maniement correct de la machine.....	35
Avertissement de fonctionnement et comment l'arrêter.....	35
Instructions d'entretien.....	38
Entreposage.....	41

SYMBOLES

Le mode d'emploi contient les symboles suivants.

	Lisez le mode d'emploi et suivez les avertissements et les précautions de sécurité !		Portez un casque protecteur, des lunettes de protection et des protège-oreilles !
	Faites preuve de prudence et de vigilance !		Carburant (Essence)
	Interdit !		Démarrage manuel du moteur
	Ne fumez pas !		Arrêt d'urgence
	Pas de flammes nues !		Premiers secours
	Portez des gants de protection !		SOUS TENSION/DÉMARRAGE
	Portez des bottes de sécurité avec des semelles antidérapantes. Les bottes de sécurité à doigts de pieds métalliques sont recommandées !		HORS TENSION/ARRÊT
	Éloignez les personnes et les animaux du lieu de travail !		

Utilisation prévue de l'outil

Cet outil multi-fonctions est destiné à insérer un accessoire approuvé indiqué dans ce mode d'emploi. N'utilisez jamais l'appareil à d'autres fins.

CONSIGNES DE SÉCURITÉ

Instructions générales

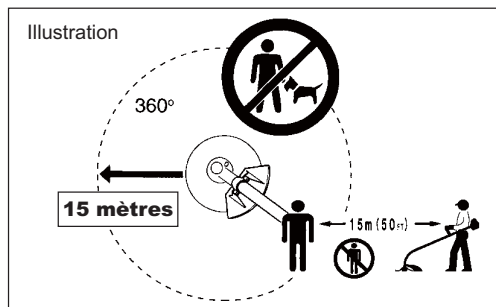
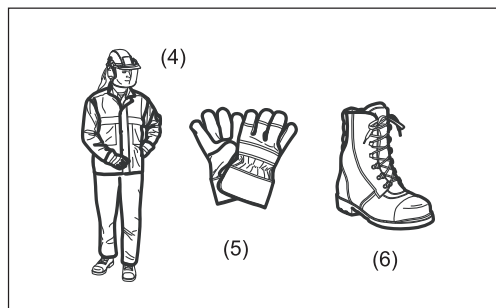
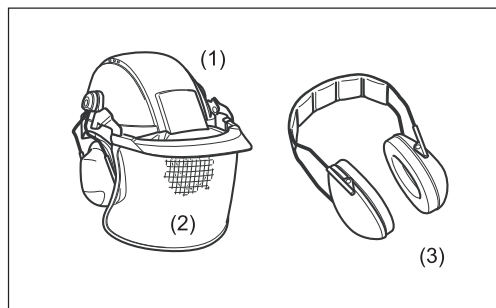
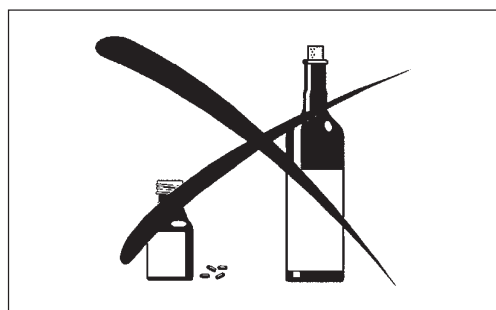
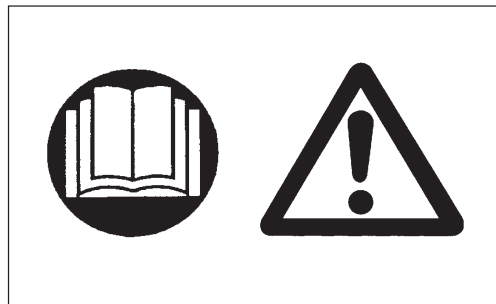
- Pour une utilisation correcte, lisez ce mode d'emploi afin de vous familiariser avec le fonctionnement de l'outil multi-fonctions. Sans ces informations, vous risquez de vous mettre en danger ou de blesser d'autres personnes à cause d'une utilisation incorrecte.
- Il est recommandé de prêter l'outil multi-fonctions uniquement à des personnes ayant déjà utilisé des outils multi-fonctions. Transmettez-leur toujours ce mode d'emploi.
- Les personnes utilisant l'outil pour la première fois doivent demander au revendeur de leur fournir des instructions de base afin de se familiariser avec le maniement d'une découpeuse thermique.
- Les enfants et jeunes gens âgés de moins de 18 ans ne doivent pas utiliser l'outil multi-fonctions. Toutefois, les personnes âgées de plus de 16 ans peuvent utiliser l'appareil à des fins de formation uniquement sous la supervision d'un formateur qualifié.
- Utilisez les outils multi-fonctions avec la plus grande prudence et vigilance.
- Faites fonctionner l'outil multi-fonctions uniquement si vous êtes en bonne forme physique. Effectuez tout le travail avec calme et prudence. Vous êtes responsable des autres personnes.
- N'utilisez jamais l'outil multi-fonctions après avoir consommé de l'alcool ou des médicaments, ou bien si vous vous sentez fatigué (e) ou malade.
- Les réglementations nationales peuvent limiter l'utilisation de l'appareil.

Dispositif de protection individuelle

- Les vêtements que vous portez doivent être fonctionnels et adaptés, c'est-à-dire qu'ils doivent être près du corps, sans pour autant gêner vos mouvements. Ne portez pas de bijoux ou de vêtements qui pourraient s'emmêler dans les taillis ou les petits arbustes.
- Pour éviter de vous blesser à la tête, aux yeux, aux mains ou aux pieds et pour protéger votre ouïe pendant l'utilisation de l'outil multi-fonctions, portez l'équipement et les vêtements de protection suivants.
- Portez toujours un casque en cas de risque de chute d'objets. Le casque de protection (1) doit être vérifié à intervalles réguliers pour parer à d'éventuels dommages et il doit être remplacé au plus tard tous les 5 ans. N'utilisez que des casques de protection agréés.
- La visière (2) du casque (ou alternativement les lunettes) protège le visage des débris et des pierres qui volent. Pendant l'utilisation de l'outil multi-fonctions, portez toujours des lunettes de protection ou une visière pour protéger vos yeux des blessures.
- Portez un équipement de protection antibruit adéquat afin d'éviter toute perte auditive (coquilles antibruit (3), bouchons d'oreille etc.).
- Les combinaisons de travail (4) protègent contre les pierres et débris qui volent. Il est fortement recommandé de porter une combinaison de travail.
- Les gants spéciaux (5) en cuir épais font partie de l'équipement prescrit et doivent être portés lors de l'utilisation de l'outil multi-fonctions.
- Portez également toujours des chaussures de sécurité (6) dotées d'une semelle antidérapante. Elles vous protégeront des blessures éventuelles et vous assureront une bonne stabilité.

Démarrage de l'outil multi-fonctions

- Assurez-vous qu'aucun enfant ou adulte ne se trouve à proximité et faites attention aux animaux situés dans la zone de travail.
- Assurez-vous que la pièce de fixation est bien en place, que le levier de commande peut être actionné aisément et que le levier de verrouillage fonctionne correctement.
- Il est interdit de faire bouger la pièce de fixation pendant le ralenti. En cas de doute, vérifiez le réglage avec votre revendeur. Vérifiez que les poignées sont propres et sèches et que l'interrupteur marche/arrêt fonctionne correctement.

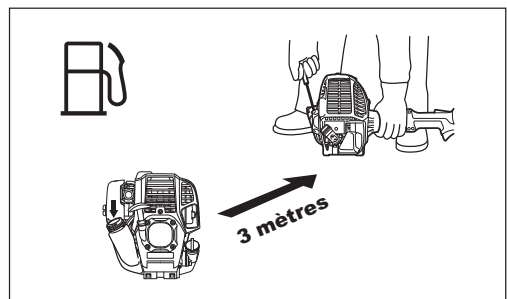
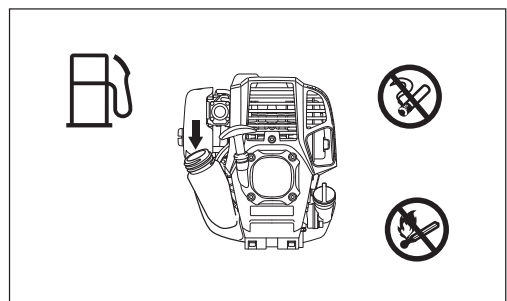
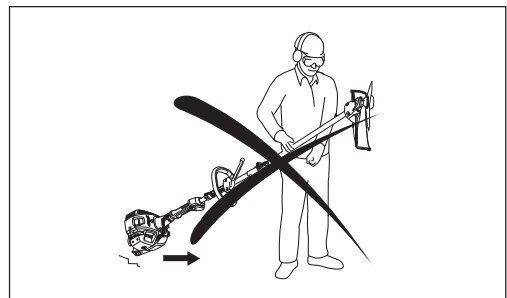
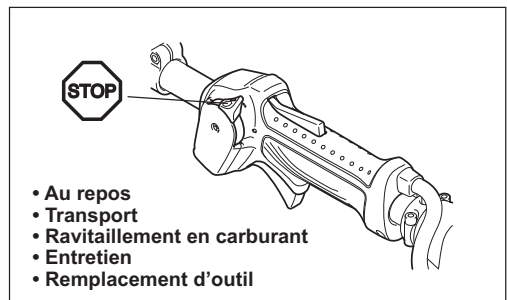
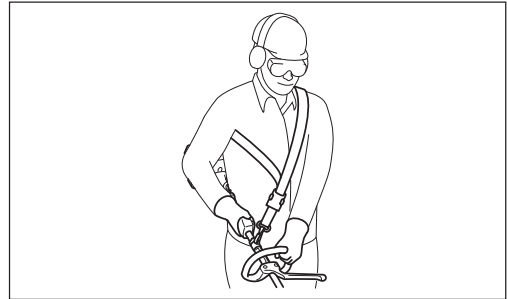
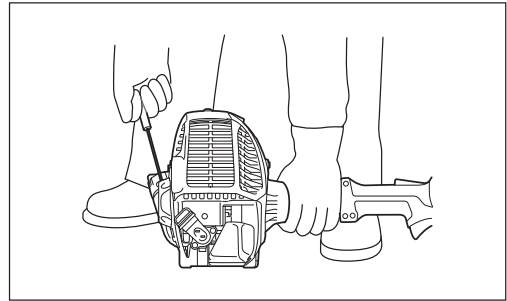


Démarrez l'outil multi-fonctions uniquement conformément aux instructions.

- Ne démarrez pas le moteur selon une autre méthode !
- Utilisez l'outil multi-fonctions et les autres outils uniquement pour les applications indiquées.
- Ne démarrez le moteur de l'outil multi-fonctions qu'après avoir procédé au montage complet. Le fonctionnement de l'outil n'est autorisé qu'une fois l'ensemble des accessoires fixés !
- Avant de démarrer, assurez-vous que la pièce de fixation n'est pas en contact avec des objets durs, tels que des branches, des pierres, etc., car elle tournera au démarrage.
- En cas de problème avec le moteur, éteignez-le immédiatement.
- Si l'outil de coupe frappe des pierres ou d'autres objets durs, coupez immédiatement le moteur et examinez la pièce de fixation.
- N'utilisez l'outil multi-fonctions qu'après avoir fixé et réglé correctement le harnais. Il est très important de régler le harnais selon votre taille, afin d'éviter toute fatigue supplémentaire pendant l'utilisation. Ne tenez jamais l'outil d'une seule main pendant l'utilisation.
- Pendant l'utilisation, tenez toujours l'outil multi-fonctions avec les deux mains. Assurez-vous toujours d'avoir une bonne stabilité.
- Faites fonctionner l'outil multi-fonctions de manière à éviter d'inhaler les gaz d'échappement. Ne faites jamais tourner le moteur dans une pièce confinée (risque d'intoxication aux gaz). Le monoxyde de carbone est un gaz inodore.
- Éteignez le moteur avant de faire une pause ou de laisser l'outil multi-fonctions sans surveillance. Placez-le également en lieu sûr pour éviter que d'autres personnes se blessent ou endommagent l'appareil.
- Ne posez jamais l'outil multi-fonctions dans l'herbe sèche ou sur des matériaux combustibles lorsqu'il est chaud.
- Vous devez utiliser tous les carters et installations de protection fournis avec l'appareil pendant son fonctionnement.
- Ne faites jamais tourner le moteur si le pot d'échappement est défectueux.
- Éteignez le moteur pendant le transport.
- En cas de transport sur de longues distances, utilisez toujours le dispositif de protection d'outil fourni.
- Veillez à placer l'outil multi-fonctions de manière sécurisée pendant le transport en voiture afin d'éviter toute fuite de carburant.
- Lors du transport de l'outil multi-fonctions, assurez-vous que le réservoir de carburant est complètement vide.
- Lors du déchargement de l'outil multi-fonctions depuis un véhicule, veillez à ne pas laisser tomber le moteur au risque d'endommager grièvement le réservoir de carburant.
- Sauf en cas d'urgence, ne laissez jamais tomber l'outil multi-fonctions et ne le jetez pas au sol, au risque de l'endommager grièvement.
- Veillez à soulever l'ensemble du matériel du sol lorsque vous le déplacez. Il est très dangereux de traîner le réservoir de carburant : cela risque de créer des fuites de carburant, voir un incendie.
- En cas de chute ou d'impact de l'appareil, vérifiez qu'il est en bon état avant de poursuivre le travail. Vérifiez qu'il n'y a pas de fuite de carburant dans le circuit d'alimentation, et que les commandes et dispositifs de sécurité fonctionnent correctement. En cas de dommage ou de doute, demandez à un centre d'entretien agréé d'examiner et de réparer l'outil.

Ravitaillement en carburant

- Lors du ravitaillement en carburant, coupez le moteur, éloignez-le des flammes nues et ne fumez pas.
- Évitez tout contact entre la peau et l'essence. N'inhalez pas les vapeurs de carburant. Portez toujours des gants de protection durant le ravitaillement en carburant. Changez et nettoyez régulièrement les vêtements de protection.
- Veillez à ne pas renverser de carburant ou d'huile, afin d'éviter toute contamination du sol (protection environnementale). Si vous avez renversé du carburant, nettoyez immédiatement l'outil multi-fonctions.
- Évitez tout contact entre vos vêtements et le carburant. Si vous renversez du carburant sur vos vêtements, changez-en immédiatement (pour éviter que vos vêtements ne prennent feu).
- Vérifiez régulièrement le bouchon du réservoir pour vous assurer qu'il est bien fermé et ne fuit pas.
- Serrez soigneusement le bouchon du réservoir de carburant. Déplacez-vous pour démarrer le moteur (à au moins 3 mètres de l'endroit où vous avez fait le plein).
- Ne faites jamais le plein dans une pièce confinée. Les vapeurs de carburant s'accumulent au niveau du sol (risques d'explosions).
- Transportez et stockez le carburant uniquement dans des conteneurs agréés. Assurez-vous que les enfants ne peuvent pas accéder au carburant.

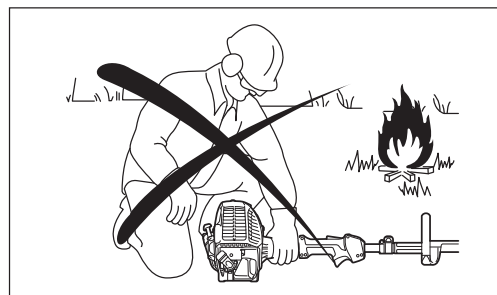


Mode d'emploi

- Utilisez l'outil multi-fonctions uniquement lorsque l'éclairage est correct et la visibilité satisfaisante. Pendant l'hiver, soyez attentif aux zones glissantes ou mouillées, au verglas et à la neige (risques de glissade). Assurez-vous toujours d'avoir une bonne stabilité.
- N'utilisez jamais l'outil multi-fonctions lorsque vous vous trouvez sur une échelle.
- N'utilisez jamais l'outil multi-fonctions lorsque vous trouvez dans un arbre.
- Ne travaillez jamais sur des surfaces instables.
- Avant d'utiliser la pièce de fixation, veillez à ce que celle-ci ait atteint sa vitesse maximale.
- Reposez-vous pour éviter toute perte de contrôle due à la fatigue. Il est recommandé de faire une pause de 10 à 20 minutes toutes les heures.

Instructions d'entretien

- L'entretien de votre appareil doit être effectué par l'un de nos centres d'entretien agréés et seules des pièces de rechange authentiques doivent être utilisées. Une réparation incorrecte et un entretien défectueux peuvent réduire la durée de vie de l'appareil et accroître le risque d'accidents.
- Veillez à faire le moins de bruit possible et à limiter la contamination lors de l'utilisation de l'outil multi-fonctions. Vérifiez notamment le bon réglage du carburateur.
- Nettoyez régulièrement l'outil multi-fonctions et vérifiez que toutes les vis ainsi que les écrous sont bien serrés.
- Ne procédez jamais à l'entretien de l'outil multi-fonctions et ne le stockez pas à proximité de flammes nues.
- Toujours rangez l'outil multi-fonctions dans des pièces fermées, après avoir vidé le réservoir de carburant.



Observez les instructions de prévention d'accident pertinentes publiées par les associations commerciales et les compagnies d'assurance. N'effectuez aucune modification sur l'outil multi-fonctions, au risque de compromettre votre sécurité.

L'exécution de l'entretien ou des réparations par l'utilisateur est limitée aux activités décrites dans le mode d'emploi. Toute autre tâche doit être réalisée par un agent d'entretien agréé. N'utilisez que des pièces de rechange et des accessoires d'origine fournis par MAKITA. L'utilisation d'accessoires ou d'outils non approuvés augmente les risques d'accident. MAKITA n'acceptera aucune responsabilité pour des accidents ou des dommages causés par l'utilisation de pièces de fixation et de dispositifs de fixation de pièces de fixation ou d'accessoires non agréés.

Premiers secours

En cas d'accident, assurez-vous qu'une mallette de premier secours se trouve à proximité des opérations de coupe. Remplacez immédiatement tout article pris dans la mallette de premier secours.

Lorsque vous demandez de l'aide, veuillez fournir les renseignements suivants :

- Lieu de l'accident
- Que s'est-il passé ?
- Nombre de personnes blessées
- Types de blessures
- Votre nom



Vibrations

- Les personnes souffrant de troubles circulatoires peuvent subir des blessures au niveau des vaisseaux sanguins ou du système nerveux si elles sont exposées à des vibrations excessives. Les vibrations peuvent entraîner les symptômes suivants aux doigts, mains ou poignets : engourdissement, picotements, douleur, sensation lancinante, altération de la couleur ou de l'aspect de la peau. Si l'un ou l'autre de ces symptômes apparaît, consultez un médecin !
- Afin de réduire le risque de syndrome des vibrations du système main-bras, gardez vos mains au chaud et maintenez correctement l'appareil et ses accessoires.

DÉCLARATION DE CONFORMITÉ CE

Nous, Makita Corporation, en tant que fabricant responsable, déclarons que les machines Makita suivantes :

Nom de la machine : Outil Multi-Fonctions
N° de modèle/Type : EX2650LH
Spécifications : voir le tableau « DONNÉES TECHNIQUES EX2650LH »
sont fabriquées en série et

sont conformes aux directives européennes suivantes :

2000/14/CE, 2006/42/CE

et sont produites conformément aux normes ou documents de normalisation suivants :

EN/ISO11806, EN709, EN/ISO10517, EN/ISO11680, EN/ISO12100

La documentation technique est disponible auprès de :

Makita International Europe Ltd., Technical Department,
Michigan Drive, Tongwell,
Milton Keynes, Bucks MK15 8JD, Angleterre

La procédure d'évaluation de la conformité requise par la directive 2000/14/CE est conforme à l'annexe V.

EX2650LH avec EM400MP (Tête Débroussailleuse)	
Niveau de puissance sonore mesurée :	108,5 dB (A)
Niveau de puissance sonore garantie :	113 dB (A)
EX2650LH avec EM401MP (Tête Débroussailleuse)	
Niveau de puissance sonore mesurée :	102,7 dB (A)
Niveau de puissance sonore garantie :	105 dB (A)
EX2650LH avec ER400MP (Tête Coupe Herbe)	
Niveau de puissance sonore mesurée :	109,2 dB (A)
Niveau de puissance sonore garantie :	116 dB (A)
EX2650LH avec EN400MP (Tête Taille-Haie à Perche)	
Niveau de puissance sonore mesurée :	103,8 dB (A)
Niveau de puissance sonore garantie :	109 dB (A)
EX2650LH avec EN400MP (Tête Taille-Haie à Perche) et LE400MP (Rallonge d'Arbre)	
Niveau de puissance sonore mesurée :	104,0 dB (A)
Niveau de puissance sonore garantie :	106 dB (A)

Le numéro du certificat d'inspection de type CE comme une scie à long manche avec EY400MP, EY401MP, LE400MP est :

4811004.11016

L'inspection de type CE pour la norme 2006/42/CE a été réalisée par :

DEKRA Testing and Certification GmbH
Enderstraße 92b
01277 Dresden, Allemagne
N° d'identification 2140

30. 1. 2012



Tomoyasu Kato
Directeur
Makita Corporation
3-11-8, Sumiyoshi-cho,
Anjo, Aichi, 446-8502, JAPAN

DONNÉES TECHNIQUES EX2650LH

Modèle	EX2650LH	
	Poignée fermée	
Dimensions : longueur x largeur x hauteur (sans la lame de coupe) avec garde-fou	mm	975 x 323 x 241
Dimensions : longueur x largeur x hauteur (sans la lame de coupe) sans garde-fou	mm	975 x 242 x 241
Masse (sans la protection plastique et la lame de coupe)	kg	4,6
Volume (réservoir de carburant)	L	0,6
Volume (réservoir d'huile)	L	0,08
Déplacement du moteur	cm ³	25,4
Performance maximale du moteur	kw	0,77 à 7 000 min ⁻¹
Vitesse du moteur à la vitesse max. recommandée de l'axe	min ⁻¹	8 500
Vitesse maximale de l'axe (correspondant)	min ⁻¹	6 500
Consommation maximale de carburant	kg/h	0,33
Consommation maximale spécifique de carburant	g/kwh	408
Ralenti	min ⁻¹	3 000
Vitesse d'engagement de l'embrayage	min ⁻¹	3 900
Carburateur	type	WALBRO WYL
Système d'allumage	type	Allumage à semi-conducteur
Bougie d'allumage	type	NGK CMR4A
Distance entre les électrodes	mm	0,7 - 0,8
Carburant	Essence automobile	
Huile moteur	Huile SAE 10W-30 de classe API, Classe SF ou supérieure (moteur 4 temps pour automobile)	

Vibrations

Tête	Poignée droite (prise arrière)		Poignée gauche (prise avant)		Normes applicables
	a _{hv eq} (m/s ²)	Incertitude K (m/s ²)	a _{hv eq} (m/s ²)	Incertitude K (m/s ²)	
EM400MP	6,5	1,2	5,9	1,8	ISO 22867
EM401MP	5,6	2,1	4,8	1,0	ISO 22867
ER400MP	7,1	2,8	5,5	2,7	ISO 22867
EY400MP	9,4	2,0	4,2	2,0	ISO 22867
EY400MP + LE400MP	4,8	2,0	3,4	2,0	ISO 22867
EY401MP	6,5	2,0	3,8	2,0	ISO 22867
EY401MP + LE400MP	5,6	2,0	3,4	2,0	ISO 22867
EN400MP	8,4	1,8	5,0	0,7	ISO 10517
EN400MP + LE400MP	8,0	1,7	4,3	0,7	ISO 10517
KR400MP	5	1,1	4,4	2,3	ISO 22867
EJ400MP	7,1	1,5	4,9	1,5	ISO 22867
EJ400MP + LE400MP	6,4	0,6	4,0	0,7	ISO 22867

Bruit

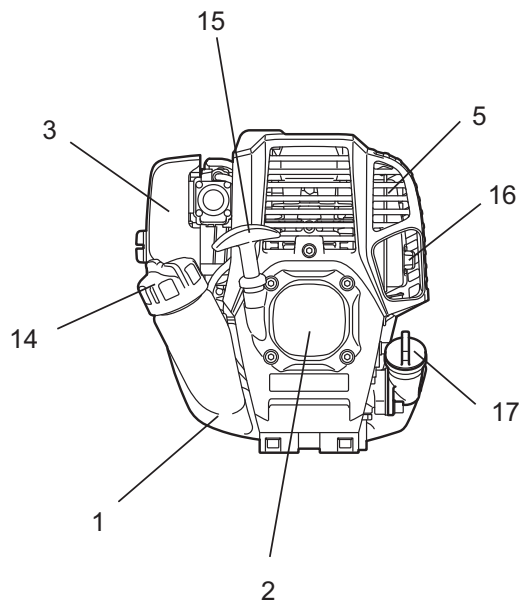
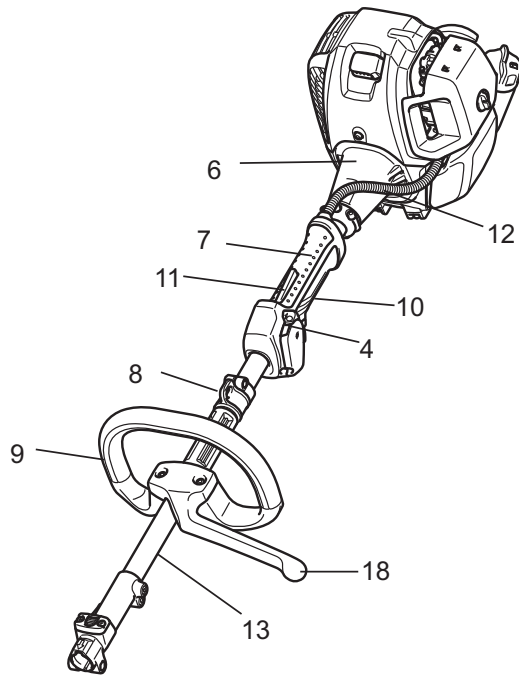
Tête	Moyenne du niveau de pression sonore		Moyenne du niveau de puissance sonore		Normes applicables
	L _{PA eq}	Incertitude K	L _{WA eq}	Incertitude K	
EM400MP	95,0	4,4	105,5	3,3	ISO 22868
EM401MP	89,9	3,6	99,7	2,7	ISO 22868
ER400MP	97,9	4,2	106,2	4,0	ISO 22868
EY400MP	93,0	2,5	104,5	2,5	ISO 22868
EY400MP + LE400MP	90,3	2,5	107,8	2,5	ISO 22868
EY401MP	92,6	2,5	104,7	2,5	ISO 22868
EY401MP + LE400MP	90,5	2,5	107,9	2,5	ISO 22868
EN400MP	93,1	4,4	102,9	4,8	ISO 10517
EN400MP + LE400MP	87,8	1,9	103,0	2,0	ISO 10517
KR400MP	93,7	2,6	99,7	1,2	ISO 22868
EJ400MP	89,0	2,3	99,8	1,1	ISO 22868
EJ400MP + LE400MP	88,1	2,2	100,8	2,3	ISO 22868

PIÈCES DE FIXATION AGRÉÉES

PIÈCES DE FIXATION	Modèles
Tête Débroussailleuse	EM400MP, EM401MP
Tête Coupe Herbe	ER400MP
Tête Élagueuse à Perche	EY400MP, EY401MP
Tête Taille-Haie à Perche	EN400MP
Tête Moto-Bineuse	KR400MP
Tête Peigne Vibreur Pour Café	EJ400MP
Rallonge d'Arbre	LE400MP

NOMENCLATURE DES PIÈCES

EX2650LH



F	NOMENCLATURE DES PIÈCES
1	Réservoir de carburant
2	Démarrateur à rappel
3	Filtre à air
4	Interrupteur I-O (marche/arrêt)
5	Pot d'échappement
6	Carter d'embrayage
7	Prise arrière
8	Crochet de suspension
9	Poignée
10	Levier d'accélération
11	Levier de verrouillage
12	Câble de contrôle
13	Arbre
14	Bouchon de réservoir de carburant
15	Bouton de démarrage
16	Tuyau d'échappement
17	Bouchon d'huile
18	Garde-fou*

Remarque : Dans certains pays, le garde-fou n'est pas fourni avec l'outil.

MONTAGE DE LA POIGNÉE

ATTENTION : Avant tout travail sur l'outil multi-fonctions, coupez toujours le moteur et débranchez le connecteur des bougies. Portez toujours des gants de protection !

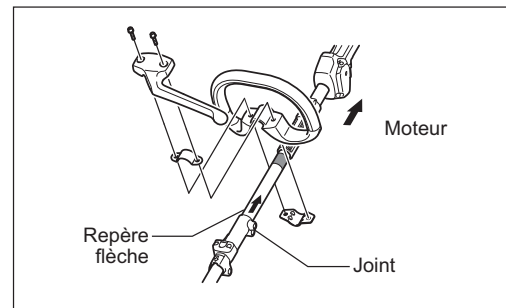
ATTENTION : Démarrez l'outil multi-fonctions uniquement après l'avoir entièrement monté.

Montage de la poignée fermée

- Installez solidement le garde-fou et la commande sur le tuyau de l'arbre à l'aide de deux vis et colliers. À ce stade, placez le garde-fou sur le côté gauche de l'appareil, comme illustré.
- Assurez-vous que l'ensemble commande/garde-fou ne se trouve pas entre l'entretoise et le repère flèche. Ne retirez pas et ne contractez pas l'entretoise.
- Une fois le montage terminé, ne retirez pas le garde-fou.

ATTENTION : N'installez jamais la commande sur l'étiquette ou le joint.

Remarque : Dans certains pays, le garde-fou et le repère flèche ne sont pas fournis avec l'outil.



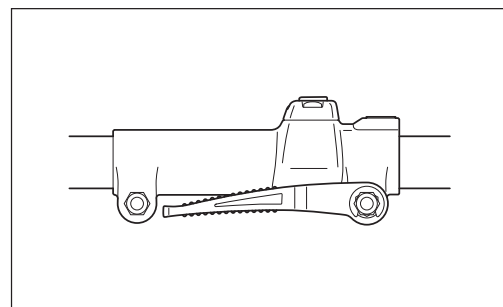
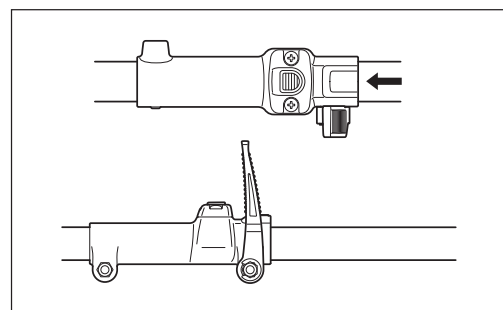
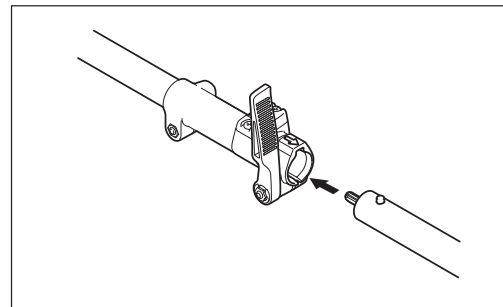
MONTAGE DE LA PIÈCE DE FIXATION

ATTENTION : Avant tout travail sur l'outil multi-fonctions, coupez toujours le moteur et débranchez le connecteur des bougies. Portez toujours des gants de protection !

ATTENTION : Démarrez l'outil multi-fonctions uniquement après l'avoir entièrement monté.

Montage

- Dévissez le levier.
- Alignez l'axe de la pièce de fixation sur la rainure du joint et insérez l'axe.
- Insérez la pièce de fixation jusqu'à la position de la pièce de fixation représentée par une flèche. Vérifiez également que le bouton est monté.
- Serrez le levier.
(pour obtenir des instructions de montage, voir le schéma à droite.)

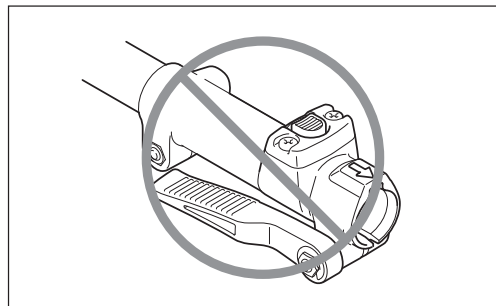
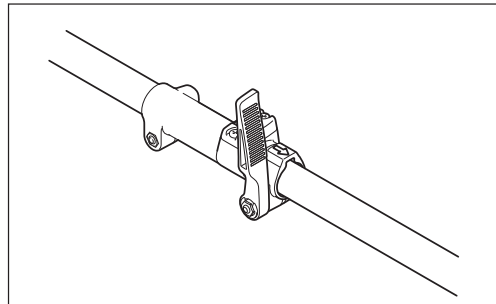


DÉMONTAGE

- Dévissez le levier.
- Appuyez sur le bouton et sortez la pièce de fixation de la porte.
(Dans la mesure du possible, essayez de sortir la pièce de fixation en ligne droite.)

Remarque :

- Ne laissez pas le levier serré lorsque la pièce de fixation est retirée.



AVANT DE COMMENCER

Inspection et remplissage de l'huile moteur

- Procédez comme suit, lorsque le moteur est froid.
- Réglez le niveau du moteur, retirez le bouchon d'huile (Fig. 1) et vérifiez l'absence d'huile dans la plage comprise entre les repères des limites supérieure et inférieure du tuyau d'huile (Fig. 2).
- Si la quantité d'huile est insuffisante (le niveau d'huile est proche du repère de limite inférieure) (Fig. 3), remplissez d'huile jusqu'au repère de limite supérieure.
- La zone proche des repères externes est transparente, dont la quantité d'huile à l'intérieur peut être vérifiée sans qu'il soit nécessaire de retirer le bouchon d'huile. Toutefois, si le tuyau d'huile devient extrêmement encrassé, vous risquez d'avoir une mauvaise visibilité et de devoir vérifier le niveau d'huile par rapport à la section décrochée sur l'intérieur du tuyau d'huile.
- À titre d'information, la durée de remplissage de l'huile est de 10 heures environ (tous les 10 remplissages).

Si l'huile change de couleur ou contient de la saleté, remplacez-la. (Pour la fréquence et la méthode de vidange, référez-vous à la page 38)

Huile recommandée : Huile SAE 10W-30 de classe API Classification, Classe SF ou supérieure (moteur 4 temps pour automobile)

Volume d'huile : Environ 0,08 L

Remarque : Si le moteur n'est pas maintenu en position verticale, la quantité d'huile versée risque d'être trop importante et l'huile risque de pénétrer à l'intérieur du moteur.

Si l'huile est ajoutée au-delà de la limite, elle risque d'être contaminée ou de déclencher un incendie avec de la fumée blanche.

Point n°1 du remplacement de l'huile : « bouchon d'huile »

- Retirez la poussière ou les saletés entourant l'orifice du réservoir d'huile, puis retirez le bouchon d'huile.
- Veillez à ce que le bouchon d'huile n'entre pas en contact avec du sable ou de la poussière. Dans le cas contraire, les impuretés adhérant au bouchon d'huile pourraient empêcher la bonne circulation de l'huile ou abimer des pièces du moteur, ce qui provoquerait des problèmes.

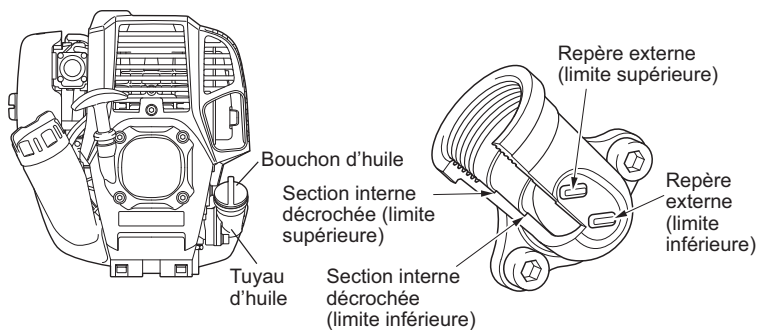


Fig. 1

Fig. 2 Tuyau d'huile

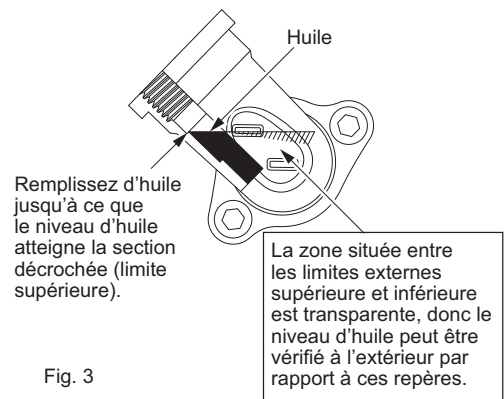
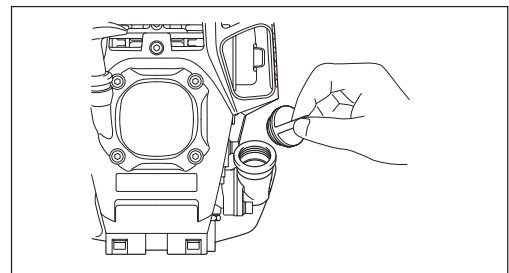
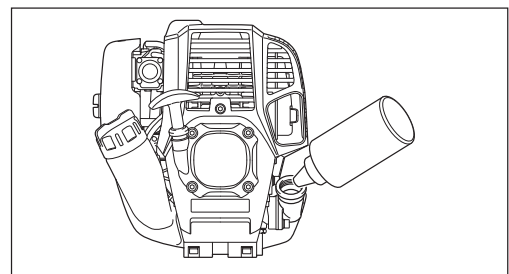


Fig. 3

- (1) Gardez le moteur à plat et enlevez le bouchon d'huile.



- (2) Remplissez d'huile jusqu'au repère de limite supérieure. (voir Fig. 3)
Utilisez la bouteille d'huile lors du remplissage.



- (3) Serrez à fond le bouchon d'huile. Un vissage insuffisant pourrait provoquer une fuite d'huile.

Remarque

- Ne remplacez pas l'huile lorsque le moteur est en position inclinée.
- Le remplissage d'huile avec le moteur incliné risque de provoquer un remplissage trop important, entraînant la contamination de l'huile et/ou de la fumée blanche.

Point n°2 du remplacement de l'huile : « En cas de débordement d'huile »

- Si de l'huile se répand entre le réservoir de carburant et le bloc principal du moteur, elle risque d'être aspirée dans le port d'entrée de l'air de refroidissement, contaminant le moteur. Veillez à nettoyer l'huile qui a débordé avant toute utilisation.

RAVITAILLEMENT EN CARBURANT

Maniement du carburant

Veillez à manipuler le carburant avec la plus grande prudence. Il peut contenir des substances similaires aux solvants. Pour faire le plein, placez-vous dans une pièce suffisamment ventilée ou à l'extérieur. N'inhalez jamais les vapeurs de carburant et restez à distance du carburant. En cas de contact répété ou prolongé de votre peau avec du carburant, elle peut se dessécher et causer des maladies de peau ou des allergies. En cas de contact du carburant avec un œil, rincez celui-ci à l'eau claire. Si votre œil reste irrité, consultez votre médecin.

Durée de stockage du carburant

Le carburant doit être utilisé dans les 4 semaines, même s'il est conservé dans un bidon spécial dans un endroit ombragé et bien ventilé. Si vous n'utilisez pas de bidon spécial ou qu'il n'est pas fermé, le carburant peut se détériorer en une journée.

STOCKAGE DE LA MACHINE ET REMPLISSAGE DU RÉSERVOIR

- Conservez la machine et le réservoir dans un endroit frais et abrité de la lumière directe du soleil.
- Ne conservez jamais le carburant dans un bungalow ou un coffre.

Carburant

Le moteur est un moteur à quatre temps. Assurez-vous d'utiliser de l'essence pour automobile (super ou premium).

Avertissements concernant le carburant

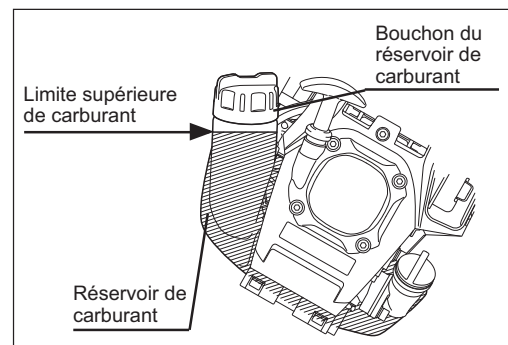
- N'utilisez jamais de mélange de carburant contenant de l'huile moteur. Cela pourrait créer une accumulation excessive de carbone ou des pannes mécaniques.
- L'utilisation d'huile détériorée peut provoquer des démarrages irréguliers du moteur.

Ravitaillement en carburant

AVERTISSEMENT : PRODUITS INFLAMMABLES STRICTEMENT INTERDITS

Essence utilisée : Essence pour automobile (super sans plomb)

- Dévissez légèrement le bouchon du réservoir afin qu'il n'y ait pas de différence de pression.
 - Retirez le bouchon du réservoir et remplissez le réservoir de carburant en l'inclinant de manière à en chasser l'air, l'orifice dirigé vers le haut. (Ne remplissez jamais le réservoir de carburant jusqu'à ce qu'il déborde sur l'orifice de remplissage d'huile.)
 - Essuyez bien le tour du bouchon du réservoir pour éviter l'introduction de tout corps étranger dans le réservoir de carburant.
 - Après avoir fait le plein, serrez à fond le bouchon du réservoir de carburant.
- En cas de défaut ou de dommages au bouchon du réservoir, remplacez-le.
 - Le bouchon du réservoir est une pièce d'usure : il convient donc de le remplacer tous les deux à trois ans.



MANIEMENT CORRECT DE LA MACHINE

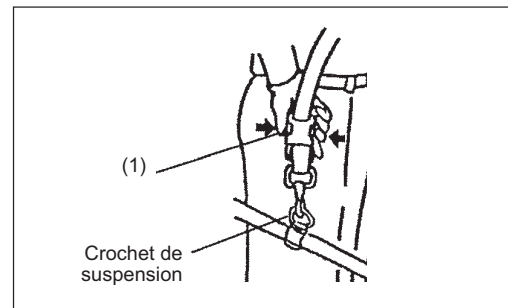
Fixation du harnais

- Réglez le harnais en fonction de la longueur nécessaire à l'opération que vous allez effectuer.

Détachement

- En cas d'urgence, appuyez sur les encoches (1) situées de chaque côté, puis retirez la machine en la tirant vers vous. Veillez particulièrement à garder le contrôle de la machine à ce stade. Ne laissez pas la machine être déviée vers vous ou vers quelqu'un qui se trouve à proximité du lieu de travail.

AVERTISSEMENT : En perdant le contrôle de la machine, vous risquez de provoquer des blessures corporelles graves ou MORTELLES.



AVERTISSEMENT DE FONCTIONNEMENT ET COMMENT L'ARRÊTER

Respectez les législations de préventions d'accidents en vigueur !

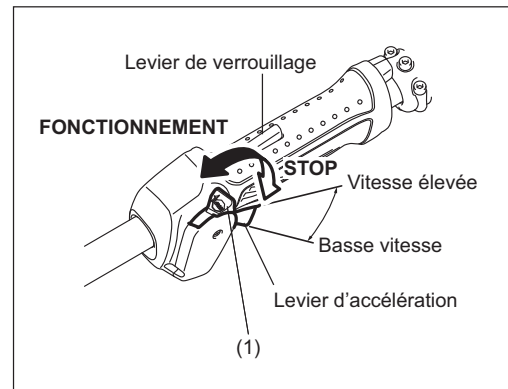


DÉMARRAGE

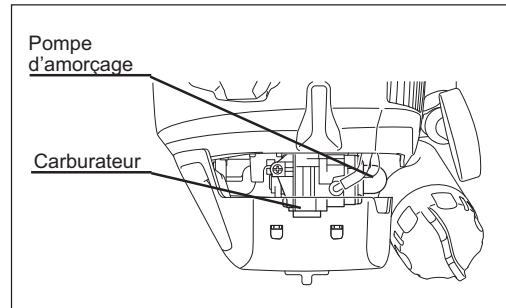
Déplacez-vous d'au moins 3 mètres de l'endroit où vous avez procédé au ravitaillement en carburant. Déposez l'outil multi-fonctions dans un endroit propre, en veillant à ce que l'outil de coupe n'entre pas en contact avec le sol ou tout autre objet.

A : Démarrage à froid

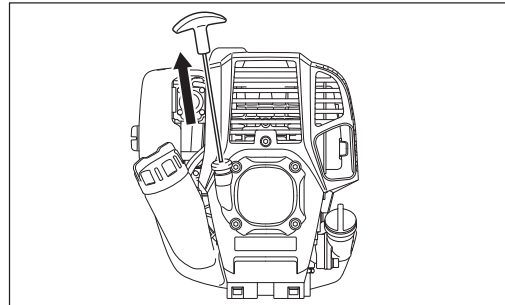
- 1) Déposez la machine sur une surface plane.
- 2) Réglez l'interrupteur I-O (1) sur FONCTIONNEMENT.



- 3) Pompe d'amorçage
 Continuez à appuyer sur la pompe d'amorçage jusqu'à ce que le carburant pénètre dans la pompe d'amorçage.
 (En général, le carburant pénètre dans la pompe d'amorçage après 7 à 10 pressions.)
 Si vous appuyez trop sur la pompe d'amorçage, un surplus de carburant retourne au réservoir de carburant.



- 4) Démarreur
 Tirez doucement le bouton du démarreur, jusqu'à ce qu'il résiste (point de compression). Ensuite, repoussez le bouton du démarreur, puis tirez-le fortement.
 Ne tirez jamais entièrement la corde. Une fois le bouton du démarreur tiré, n'enlevez jamais votre main immédiatement. Tenez le bouton jusqu'à ce qu'il retourne à sa position initiale.
- 5) Opération de chauffage
 Continuez à faire chauffer le moteur pendant 2 à 3 minutes.



Remarque : Si une entrée de carburant excessive se produit, enlevez la bougie et tirez la poignée de démarrage lentement pour retirer l'excès de carburant. Séchez également l'électrode de la bougie.

Attention durant le fonctionnement :

Si le levier d'accélération est complètement ouvert durant un fonctionnement à vide, la rotation du moteur augmente à 10 000 min⁻¹ ou plus. Ne jamais faire tourner le moteur à une vitesse plus élevée que nécessaire, ou à une vitesse de 6 000 à 8 500 min⁻¹ environ.

B : Démarrage après avoir fait chauffer le moteur

- 1) Appuyez plusieurs fois sur la pompe d'amorçage.
- 2) Laissez le levier d'accélération en position de ralenti.
- 3) Tirez avec force sur le démarreur.
- 4) Si le moteur est difficile à démarrer, ouvrez les gaz d'environ 1/3.
 Faites attention à la pièce de fixation, qui pourrait tourner.

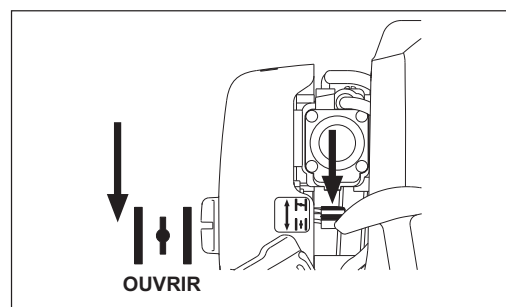
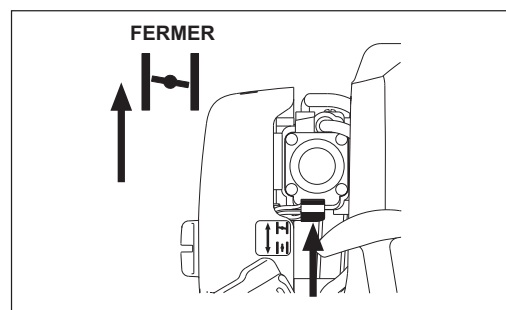
Parfois, notamment en hiver, lorsque le démarrage du moteur est difficile

Actionnez le levier de l'étrangleur comme suit lors du démarrage du moteur.

- Après avoir exécuté les étapes de démarrage 1) à 3), placez le levier de l'étrangleur en position FERMER.
- Exécutez l'étape 4) et démarrez le moteur.
- Lorsque le moteur démarre, réglez le levier d'étrangleur en position OUVRIR.
- Exécutez l'étape de démarrage 5) et continuez à vous échauffer.

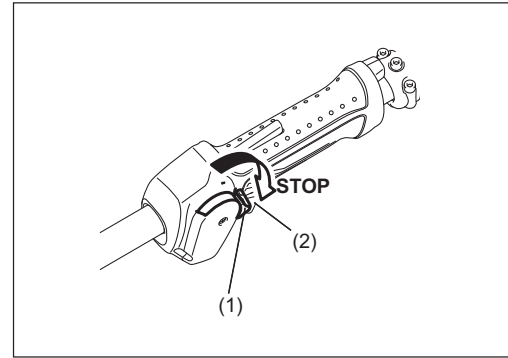
ATTENTION : Si bang (bruit d'explosion) est entendu et si le moteur s'arrête, ou si le moteur que vous venez de démarrer cale avant que le levier d'étrangleur soit utilisé, remplacez le levier d'étrangleur en position OUVRIR, puis tirez plusieurs fois sur le bouton du démarreur pour démarrer le moteur.

ATTENTION : Si le levier d'étrangleur est maintenu en position FERMER et si le bouton d'étrangleur est enfoncé plusieurs fois, une quantité trop importante de carburant sera aspirée et le démarrage du moteur deviendra difficile.



ARRÊT

- 1) Relâchez entièrement le levier d'accélération (2) et lorsque la vitesse de rotation du moteur a diminué, placez l'interrupteur I-O en position STOP pour couper le moteur.
- 2) N'oubliez pas que la pièce de fixation peut ne pas s'arrêter immédiatement, laissez-la ralentir jusqu'à l'arrêt.

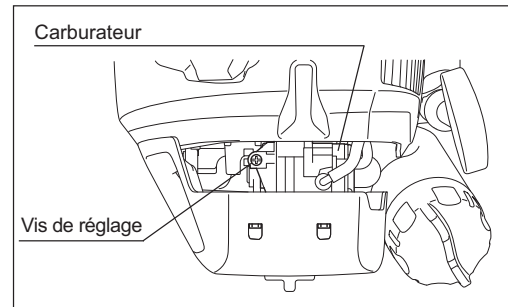


RÉGLAGE DE LA ROTATION A BAS RÉGIME (RALENTI)

Lorsque cela est nécessaire, réglez le ralenti en utilisant la vis de réglage du carburateur.

VÉRIFICATION DE LA ROTATION A BAS RÉGIME (RALENTI)

- Réglez la rotation à bas régime sur 3 000 min⁻¹.
Si vous devez modifier la vitesse de rotation, tournez la vis de réglage (illustrée à droite) avec un tournevis à pointe cruciforme.
- Tournez la vis de réglage vers la droite pour augmenter la rotation du moteur.
Tournez la vis de réglage vers la gauche, pour enclencher la rotation du moteur.
- Le carburateur est généralement réglé en usine. S'il est nécessaire d'effectuer un nouveau réglage, veuillez contacter un agent d'entretien agréé.



INSTRUCTIONS D'ENTRETIEN

ATTENTION : Avant tout travail sur l'outil multi-fonctions, coupez toujours le moteur et débranchez le connecteur des bougies (voir « Vérification de la bougie »).

Portez toujours des gants de protection !

N'utilisez jamais d'essence, de benzine, de diluant, d'alcool ou de produit similaire. Ces produits risquent de provoquer des décolorations, des déformations ou des fissures.

Afin d'assurer une longue durée de vie et éviter d'endommager le matériel, effectuez régulièrement les opérations d'entretien suivantes.

Vérification et entretien journaliers

- Avant utilisation, vérifiez qu'il ne manque aucune pièce et que les vis sont bien serrées. Veillez particulièrement à utiliser la pièce de fixation spécifiée pour que le montage s'effectue en toute sécurité.
- Avant d'utiliser l'appareil, vérifiez toujours que le passage de l'air de refroidissement et les ailettes du cylindre ne sont pas obstrués. Nettoyez-les au besoin.
- Procédez aux tâches quotidiennes suivantes après utilisation :
 - Nettoyez l'extérieur de l'outil multi-fonctions et vérifiez qu'il n'est pas endommagé.
 - Nettoyez le filtre à air. Nettoyez le filtre plusieurs fois par jour lorsque vous travaillez dans des conditions très poussiéreuses.
 - Vérifiez que la différence entre le ralenti et la vitesse d'embrayage est suffisante pour garantir que la pièce jointe est à l'arrêt lorsque le moteur tourne au ralenti (au besoin, réduisez la vitesse du ralenti).
Si, pendant le ralenti, l'outil continue à tourner, contactez votre agent d'entretien agréé le plus proche.
- Vérifiez le fonctionnement de l'interrupteur I-O, du levier de verrouillage et du levier de commande.

REPLACEMENT DE L'HUILE DE MOTEUR

Une huile moteur détériorée réduit grandement la durée de vie des pièces mobiles. Veillez à vérifier la fréquence et la quantité des remplacements.



ATTENTION : En général, le bloc principal du moteur et l'huile moteur restent brûlants juste après l'arrêt du moteur. Pour la vidange de l'huile, vérifiez que le bloc principal du moteur et l'huile de moteur ont suffisamment refroidis. Sinon, vous risquez de vous brûler.

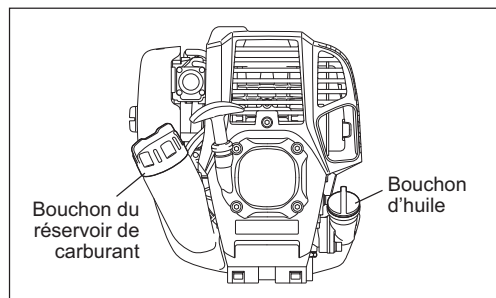
Remarque : Si le niveau d'huile est rempli au-delà de la limite, l'huile pourrait être contaminée ou risquerait de s'enflammer en provoquant de la fumée blanche.

Fréquence de vidange : Initialement, toutes les 20 heures d'utilisation, puis toutes les 50 heures de fonctionnement

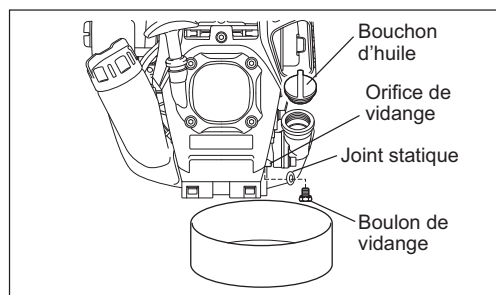
Huile recommandée : Huile SAE 10W-30 de classe API Classification, Classe SF ou supérieure (moteur 4 temps pour automobile)

Alternativement, suivez la procédure suivante.

- 1) Assurez-vous que le bouchon du réservoir de carburant est bien serré.
- 2) Placez un grand récipient (poêle, etc.) sous l'orifice de vidange.



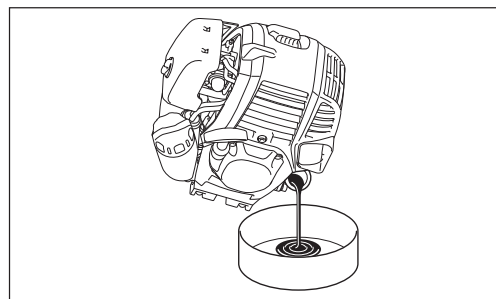
- 3) Retirez le boulon de vidange puis le bouchon d'huile afin de purger l'huile à partir de l'orifice de vidange.
À ce stade, veillez à ne pas égarer le joint du boulon de vidange et à ne pas salir les composants déposés.
- 4) Une fois l'huile entièrement purgée, rassemblez le joint et le boulon de vidange et serrez le boulon de vidange à fond, afin qu'il ne se dévise pas et ne provoque aucune fuite.
* Essuyez l'huile présente sur le boulon et le matériel à l'aide d'un chiffon.



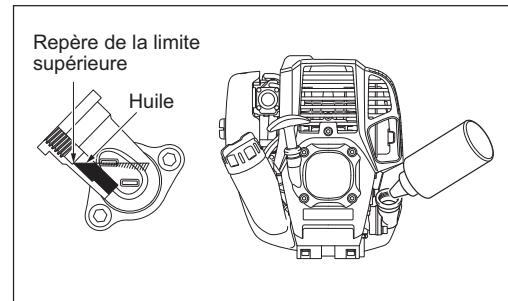
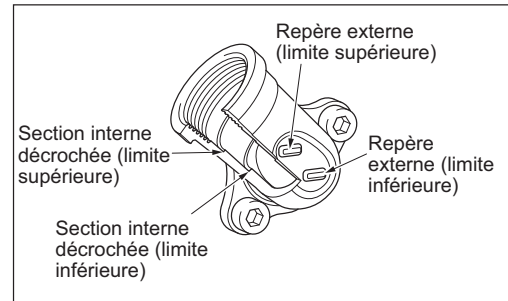
Autre méthode de vidange

Retirez le bouchon d'huile, inclinez l'outil multi-fonctions vers l'orifice de remplissage d'huile et purgez l'huile.

Recueillez l'huile dans un récipient.



- 5) Réglez le niveau du moteur et remplissez progressivement le réservoir avec de l'huile neuve jusqu'au repère de la limite supérieure.
- 6) Une fois le remplissage terminé, serrez à fond le bouchon d'huile afin qu'il ne se desserre pas et ne provoque pas de fuite.
Si vous ne serrez pas correctement le bouchon d'huile, il risque de fuir.



AVERTISSEMENT CONCERNANT L'HUILE

- Ne jetez jamais d'huile moteur à la poubelle, sur la terre ou dans les égouts. Débarrassez-vous de l'huile en suivant la législation. Respectez toujours la loi en vigueur. Pour tout éclaircissement, contactez un agent d'entretien agréé.
- L'huile se détériore, même lorsqu'elle n'est pas utilisée. Effectuez régulièrement des inspections et des remplacements (vidangez l'huile tous les 6 mois).

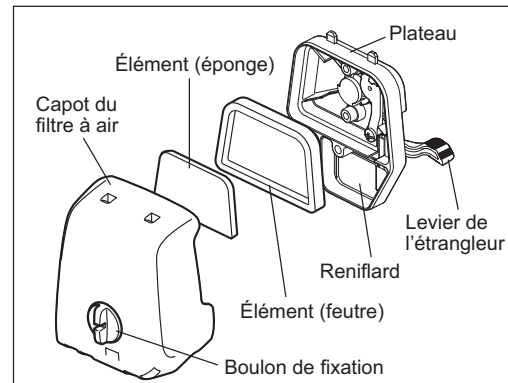
NETTOYAGE DU FILTRE À AIR



DANGER : PRODUITS INFLAMMABLES STRICTEMENT INTERDITS

Intervalle de nettoyage et d'inspection : tous les jours (toutes les 10 heures d'utilisation)

- Tournez le levier d'étranglement vers le côté complètement fermé et éloignez le carburateur de toute poussière ou saleté.
- Dévissez le boulon de fixation.
- Retirez le capot du filtre à air en tirant sur la partie inférieure de celui-ci.
- Retirez les éléments et tapez dessus pour en retirer la saleté.
- Si les éléments sont fortement contaminés :
Retirez les éléments, plongez-les dans de l'eau chaude ou dans un détergent neutre dilué à l'eau et faites-les entièrement sécher. Lorsque vous les lavez, ne les serrez pas et ne les frottez pas.
- Avant de remettre les éléments en place, assurez-vous qu'ils sont complètement secs. Un séchage insuffisant des éléments pourrait provoquer un démarrage difficile.
- Essuyez l'huile présente autour du capot du filtre à air et sur le reniflard à l'aide d'un chiffon.
- Placez l'élément (éponge) dans l'élément (feutre).
Installez les éléments dans le plateau, de sorte que l'éponge soit orientée vers le capot du filtre à air.
- Fixez immédiatement le capot du filtre à air et serrez-le avec des boulons de fixation. (Pour le remettre en place, commencez par le haut, puis le bas.)



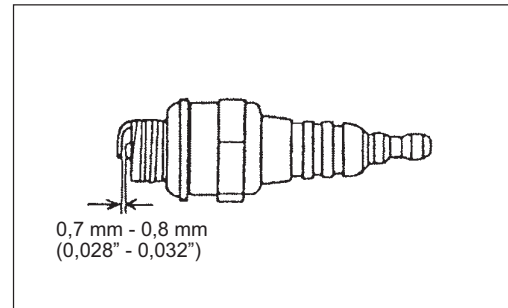
REMARQUE :

- Nettoyez les éléments plusieurs fois par jour si une poussière trop importante y adhère. Des éléments sales réduisent la puissance du moteur et rendent le démarrage du moteur difficile.
- Retirez l'huile présente sur les éléments. Si vous continuez d'utiliser l'appareil alors que les éléments qu'il contient sont recouverts d'huile, l'huile présente dans le filtre à air risquera de se déverser hors de l'appareil et de contaminer l'environnement.
- Ne placez pas les éléments sur le sol ou dans un lieu sale. Ils risqueraient d'être souillés par de la saleté ou des débris et d'endommager le moteur.
- N'utilisez jamais de carburant pour nettoyer les éléments. Le carburant pourrait les endommager.

VÉRIFICATION DE LA BOUGIE

- N'utilisez que la clé universelle fournie pour retirer ou installer la bougie.
- L'écartement entre les deux électrodes de la bougie doit être compris entre 0,7 et 0,8 mm (0,028" à 0,032"). Réglez l'écartement s'il est trop large ou trop étroit. Si la bougie est bouchée ou contaminée, nettoyez-la complètement ou remplacez-la.

ATTENTION : Ne touchez jamais le connecteur de la bougie lorsque le moteur est en marche (danger de secousse électrique de haute tension).



NETTOYAGE DU FILTRE À CARBURANT

AVERTISSEMENT : PRODUITS INFLAMMABLES STRICTEMENT INTERDITS

Intervalle de nettoyage et d'inspection : tous les mois (toutes les 50 heures d'utilisation)

Crépine d'aspiration dans le réservoir de carburant

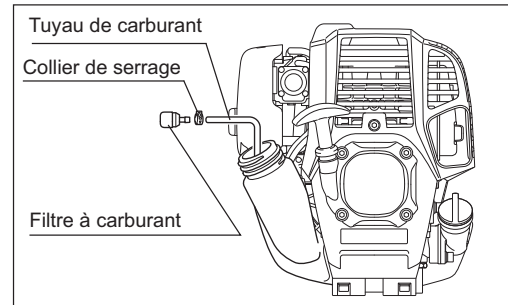
Examinez régulièrement le filtre à carburant. Pour ce faire, procédez comme suit.

- (1) Retirez le bouchon du réservoir de carburant, purgez le carburant pour vider le réservoir. Examinez l'intérieur du réservoir à la recherche de corps étrangers. Le cas échéant, retirez-les.
- (2) Retirez la crépine d'aspiration à l'aide d'un crochet à fil que vous passez à travers l'orifice du réservoir.
- (3) Si le filtre à carburant est légèrement bouché, nettoyez-le. Pour ce faire, secouez-le et tapez-le doucement au niveau du carburant. Pour éviter tout dommage, ne le serrez pas et ne le frottez pas. Le carburant utilisé pour le nettoyage doit être éliminé conformément à la réglementation en vigueur dans votre pays.

Si le filtre à carburant a durci ou est fortement bouché, remplacez-le.

- (4) Après avoir examiné, nettoyé ou remplacé le filtre à carburant, enfoncez-le complètement dans la partie inférieure du réservoir de carburant.

Un filtre à carburant bouché ou endommagé peut entraîner une alimentation insuffisante en carburant et réduire la puissance du moteur. Remplacez le filtre à carburant au moins tous les trimestres pour assurer une alimentation satisfaisante en carburant dans le carburateur.



REMPACEMENT DU TUYAU DE CARBURANT

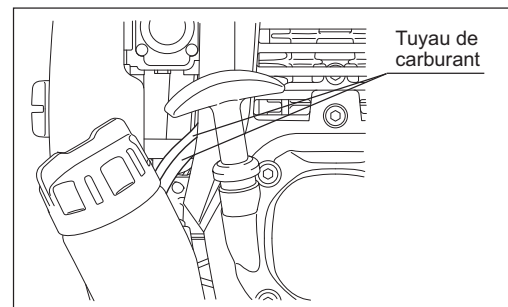
ATTENTION : PRODUITS INFLAMMABLES STRICTEMENT INTERDITS

Intervalle de nettoyage et d'inspection : tous les jours (toutes les 10 heures d'utilisation)

Remplacement : tous les ans (toutes les 200 heures d'utilisation)

Remplacez le tuyau d'alimentation tous les ans, quelle que soit la fréquence d'utilisation. Une fuite de carburant peut provoquer un incendie.

Si vous détectez une fuite pendant une inspection, remplacez immédiatement le tuyau d'alimentation en carburant.



INSPECTION DES BOULONS, ÉCROUS ET VIS

- Resserrez les boulons, écrous, etc. desserrés.
- Vérifiez l'absence de fuite de carburant et d'huile.
- Remplacez les pièces endommagées par des pièces neuves afin de garantir un fonctionnement en toute sécurité.

NETTOYAGE DES PIÈCES

- Conservez toujours le moteur propre.
- Conservez les ailettes de cylindre dépourvues de poussière et saleté. Si de la poussière ou des saletés adhèrent aux ailettes, cela peut créer des dommages aux pistons.

REMPACEMENT DE JOINTS STATIQUES ET DE TAMPONS AMORTISSEURS

Lorsque vous remontez le moteur après l'avoir démonté, n'oubliez pas de remplacer les joints statiques et les tampons amortisseurs par des pièces neuves.

Tout autre type d'entretien ou travail de réglage non inclus et décrit dans ce manuel doit être effectué par des agents de réparations agréés uniquement.

ENTREPOSAGE

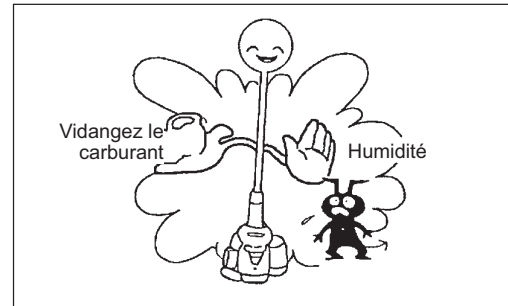


AVERTISSEMENT : Lors de la vidange du carburant, veillez à couper le moteur et vérifiez qu'il refroidit. Immédiatement après avoir été arrêté, le moteur risque d'être chaud et de provoquer des brûlures, des flammes et un incendie.



ATTENTION : Si vous prévoyez de ne pas utiliser la machine pendant une longue période, vidangez le réservoir de carburant et le carburateur, et entreposez-la dans un endroit sec et propre.

- Pour vidanger le réservoir de carburant le carburateur, procédez comme suit :
 - 1) Retirez le bouchon du réservoir de carburant et purgez entièrement le carburant. Si le réservoir de carburant présente des corps étrangers, retirez-le complètement.
 - 2) Sortez le filtre à carburant par l'orifice de remplissage à l'aide d'un fil.
 - 3) Appuyez sur la pompe d'amorçage jusqu'à ce que le carburant soit purgé dans le réservoir de carburant.
 - 4) Remplacez le filtre sur le réservoir de carburant, et vissez à fond le bouchon du réservoir de carburant.
 - 5) Ensuite, faites tourner le moteur jusqu'à ce qu'il s'arrête.
- Retirez la bougie et glissez plusieurs gouttes d'huile moteur dans le logement de la bougie.
- Tirez doucement la poignée du démarreur afin que l'huile moteur se répande sur le moteur, puis remettez la bougie en place.
- Ne déplacez pas le levier en position de verrouillage lors de l'installation de la pièce de fixation.
Le levier est en position de verrouillage sans que la pièce de fixation installée ne permette l'installation de la tige.
- Pendant le stockage, conservez la barre à l'horizontale, ou entreposez la machine verticale, le côté du couteau dirigé vers le haut. (Dans ce cas, soyez très vigilant afin d'éviter la chute de la machine.)
Ne rangez jamais la machine en orientant le joint vers le bas. De l'huile lubrifiante pourrait se répandre.
- Entreposez le carburant vidangé dans un bidon spécial, dans un endroit ombragé et bien ventilé.



Attention après un entreposage pendant une longue période

- Avant de démarrer la machine après un long arrêt, veillez à remplacer le filtre à huile (voir à la page 38). L'huile se détériore lorsque la machine ne fonctionne pas pendant une longue période.

Résolution de pannes

Panne	Système	Observation	Cause
Le moteur ne démarre pas, ou avec difficultés	Système d'allumage	Étincelle d'allumage O.K. Pas d'étincelle d'allumage	Panne de l'alimentation en carburant ou du système de compression, panne mécanique Interrupteur STOP commandé, panne de câblage ou court-circuit, bougie ou connecteur défectueux, module d'allumage défectueux
	Alimentation en carburant	Réservoir de carburant plein	Position incorrecte de l'étrangleur, carburateur défectueux, ligne d'alimentation en carburant courbée ou bloquée, carburant encrassé
	Compression	Pas de compression lors de la mise en route	Joint inférieur du cylindre défectueux, joints d'étanchéité du vilebrequin endommagés, cylindre ou segments de piston défectueux ou mauvaise étanchéité de la bougie
Problèmes de démarrage à chaud	Panne mécanique	Le démarreur ne s'enclenche pas	Ressort du démarreur cassé, pièces cassées à l'intérieur du moteur
	Alimentation en carburant	Réservoir plein, bougie d'allumage en place	Carburateur contaminé, nettoyez-le
Le moteur démarre mais s'éteint	Alimentation en carburant	Réservoir rempli	Mauvais réglage du ralenti, carburateur contaminé Prise d'air du réservoir de carburant défectueuse, conduite d'alimentation en carburant interrompue, câble ou interrupteur STOP défectueux
Performances insuffisantes	Plusieurs systèmes peuvent être affectés simultanément	Mauvais ralenti du moteur	Filtre à air contaminé, carburateur contaminé, silencieux bouché, conduit d'échappement du cylindre bouché

Élément	Durée de fonctionnement								
		Avant utilisation	Après lubrification	Tous les jours (10 h)	30 h	50 h	200 h	Arrêt/ repos	P correspondante
Huile moteur	Inspecter/ nettoyer	○							34
	Remplacer					○*1			38
Serrage des pièces (boulon, écrou)	Inspecter	○							40
Réservoir de carburant	Nettoyer/ inspecter	○							—
	Vidanger le carburant							○*3	41
Levier d'accélération	Vérifier fonctionnement		○						—
Interrupteur d'arrêt	Vérifier fonctionnement		○						37
Rotation au ralenti	Inspecter/régler			○					37
Filtre à air	Nettoyer			○					39
Bougie d'allumage	Inspecter			○					40
Conduite d'air de refroidissement	Nettoyer/ inspecter			○					40
Tuyau de carburant	Inspecter			○					40
	Remplacer						◎*2		—
Fitre à carburant	Nettoyer/ remplacer					○			40
Espace entre les valves d'entrée et de sortie d'air	Régler						◎*2		—
Révision du moteur							◎*2		—
Carburateur	Vidanger le carburant							○*3	41

*1 Effectuez un remplacement initial après 20 heures d'utilisation.

*2 Confiez l'inspection des 200 heures de fonctionnement à un agent d'entretien agréé ou à un magasin.

*3 Après avoir vidé le réservoir de carburant, continuez à faire tourner le moteur et vidangez le carburant présent dans le carburateur.

Vérifiez chaque pièce de fixation dans le mode d'emploi et procédez à la maintenance de celles-ci lorsqu'elles sont utilisées.

RÉSOLUTION DE PROBLÈMES

Avant d'envoyer votre machine en réparation, vérifiez si vous pouvez régler le problème vous-même. Si vous découvrez une anomalie, contrôlez votre machine selon les descriptions de ce mode d'emploi. Ne démontez et ne modifiez aucune pièce d'une manière contraire à la description. Pour toute réparation, contactez un agent d'entretien agréé ou un revendeur local.

Problème	Cause probable (dysfonctionnement)	Solution
Le moteur ne démarre pas	Oubli d'activation de la pompe d'amorçage	Appuyer 7 à 10 fois
	Tirage lent de la corde du démarreur	Tirer plus fort
	Panne de carburant	Faire le plein
	Filtre de carburant bouché	Nettoyer
	Tube de carburant cassé	Redresser le tube de carburant
	Carburant détérioré	Du carburant détérioré rend le démarrage plus difficile. Remplacez-le par du carburant neuf. (Remplacement recommandé : 1 fois par mois)
	Aspiration excessive du carburant	Régler le levier d'accélération de la vitesse moyenne à la vitesse élevée et tirer sur la poignée de démarrage jusqu'à ce que le moteur démarre. Dès que le moteur démarre, la pièce de fixation commence à tourner ou se déplacer. Accorder une attention particulière à la pièce de fixation. Si le moteur ne démarre toujours pas, retirer la bougie, sécher l'électrode et ré-assembler ces éléments comme ils l'étaient à l'origine. Ensuite, démarrer comme indiqué.
	Protecteur de bougie débranché	Le brancher solidement
	Bougie contaminée	Nettoyer
	Espacement anormal de la bougie	Régler l'espacement
	Autre problème de la bougie	Remplacer
	Carburateur anormal	Faire une demande d'examen et d'entretien.
	Impossible de tirer la corde de démarrage	Faire une demande d'examen et d'entretien.
	Entraînement anormal	Faire une demande d'examen et d'entretien.
Le moteur s'arrête rapidement La vitesse du moteur n'augmente pas	Réchauffement insuffisant	Réchauffer le moteur
	Le levier d'étrangleur est en position « FERMER » alors que le moteur est chaud.	Le régler sur « OUVERT ».
	Filtre de carburant bouché	Nettoyer ou remplacer
	Filtre à air contaminé ou bouché	Nettoyer
	Carburateur anormal	Faire une demande d'examen et d'entretien.
	Entraînement anormal	Faire une demande d'examen et d'entretien.
La pièce de fixation ne tourne pas et ne se déplace pas ↓ Arrêtez immédiatement le moteur	Elle n'est pas insérée au bon endroit.	L'insérer comme indiqué.
	Entraînement anormal	Faire une demande d'examen et d'entretien.
Vibrations anormales de la machine ↓ Arrêtez immédiatement le moteur	La pièce de fixation n'est pas insérée au bon endroit.	L'insérer comme indiqué.
	Levier desserré	Serrer à fond.
	Entraînement anormal	Faire une demande d'examen et d'entretien.
La pièce de fixation ne s'arrête pas immédiatement ↓ Arrêtez immédiatement le moteur	Rotation élevée au ralenti	Régler
	Fil de l'étrangleur détaché	Le brancher solidement
	Entraînement anormal	Faire une demande d'examen et d'entretien.
Le moteur ne s'arrête pas ↓ Faites tourner le moteur au ralenti et réglez le levier d'étrangleur sur FERMER.	Connecteur débranché	Le brancher solidement
	Système électrique anormal	Faire une demande d'examen et d'entretien.

Lorsque le moteur ne démarre pas après avoir été réchauffé :

Si aucun problème n'apparaît après vérification, ouvrez l'étrangleur d'environ 1/3 et démarrez le moteur.

Herzlichen Glückwunsch, dass Sie sich für den Kauf eines Multifunktions-Antriebs von MAKITA entschieden haben. Wir freuen uns, Ihnen den Multifunktions-Antrieb von MAKITA anbieten zu können. Diese Erzeugnisse sind das Ergebnis eines langen Entwicklungsprogramms und vieler Jahre an Erkenntnissen und Erfahrungen.
















Lesen Sie diese Betriebsanleitung mit detaillierten Informationen zu den verschiedenen Punkten, die die herausragende Leistung demonstrieren, aufmerksam durch. So können Sie das best mögliche Ergebnis mit Ihrem Multifunktions-Antrieb von MAKITA erzielen.



Inhaltsverzeichnis	Seite
Symbole.....	44
Sicherheitsregeln.....	45
Technische Daten.....	49
Genehmigte Aufsätze.....	50
Bezeichnung der Bauteile.....	51
Montieren des Griffs.....	52
Montieren des Aufsatzes.....	52
Demontieren.....	53
Vor dem Betrieb.....	54
Richtige Handhabung des Werkzeugs.....	56
Wichtige Betriebsschritte und Stoppen des Werkzeugs.....	56
Wartungsanweisungen.....	59
Aufbewahrung.....	62

SYMBOLE

Beim Lesen der Gebrauchsanleitung werden Sie die folgenden Symbole bemerken.

	Bitte lesen Sie die Bedienungsanleitung und befolgen Sie die Warnungen und Sicherheitshinweise!		Tragen Sie Schutzhelm, Schutzbrille und Gehörschutz!
	Besondere Aufmerksamkeit erforderlich!		Kraftstoff (Benzin)
	Verboten!		Manueller Motorstart
	Rauchverbot!		Not-Aus
	Umgang mit offenen Flammen verboten!		Erste Hilfe
	Tragen Sie Schutzhandschuhe!		EIN / START
	Tragen Sie festes Schuhwerk mit rutschfester Sohle. Empfohlen werden Arbeitsschutzschuhe mit Stahlkappen!		AUS / STOPP
	Im Arbeitsbereich dürfen sich weder Personen noch Tiere aufhalten!		

Verwendungszweck des Werkzeugs

Dieser Multifunktions-Antrieb ist ausschließlich, für die Verwendung mit denen, in dieser Betriebsanleitung gelisteten Vorsätzen zu verwenden. Benutzen Sie die Maschine niemals für andere Zwecke.

SICHERHEITSGEDELN

Allgemeine Sicherheitshinweise

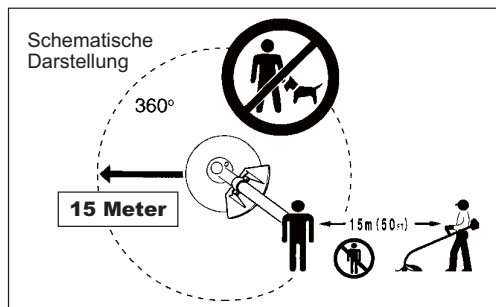
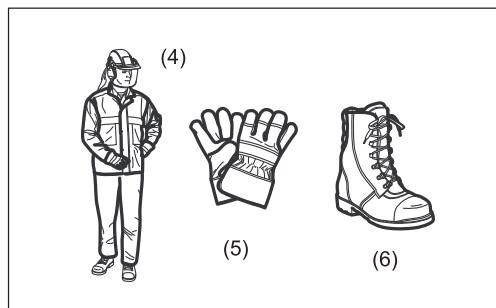
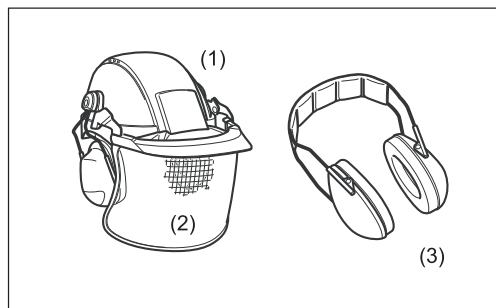
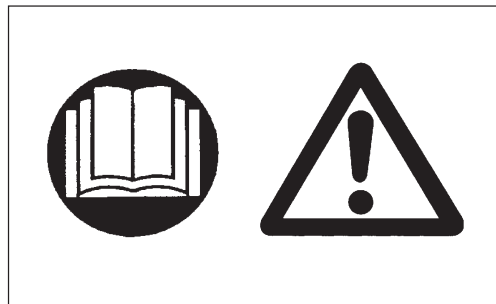
- Zur Gewährleistung eines ordnungsgemäßen Betriebs muss der Benutzer diese Bedienungsanleitung aufmerksam durchlesen, um sich mit dem Umgang des Multifunktions-Antriebs vertraut zu machen. Unzureichend informierte Benutzer gefährden sich selbst und andere aufgrund eines unsachgemäßen Umgangs.
- Es wird empfohlen, den Multifunktions-Antrieb nur an solche Personen zu verleihen, die über Erfahrungen im Umgang mit dem Multifunktions-Antrieb verfügen. Überreichen Sie mit dem Werkzeug stets auch die Betriebsanleitung.
- Erstanwender sollten den Fachhändler nach grundlegenden Anleitungen fragen, um mit dem Werkzeug vertraut zu werden.
- Kindern und Jugendlichen unter 18 Jahren ist das Bedienen des Multifunktions-Antriebs untersagt. Personen über 16 Jahren dürfen das Gerät für Übungszwecke verwenden, jedoch nur unter Aufsicht eines qualifizierten Anleiters.
- Verwenden Sie den Multifunktions-Antrieb mit äußerster Aufmerksamkeit und Achtung.
- Betreiben Sie den Multifunktions-Antrieb nur, wenn Sie in guter physischer Verfassung sind. Führen Sie alle Arbeiten ruhig und mit Vorsicht aus. Die Bedienperson ist gegenüber Dritten haftbar.
- Betreiben Sie den Multifunktions-Antrieb nie nach dem Genuss von Alkohol oder nach der Einnahme von Medikamenten, oder wenn Sie müde oder krank sind.
- Nationale Bestimmungen können die Verwendung der Maschine beschränken.

Persönliche Schutzausrüstung

- Tragen Sie zweckmäßige und geeignete Kleidung, d. h. die Kleidung sollte am Körper anliegen, ohne Behinderungen zu verursachen. Tragen Sie keinen Schmuck. Tragen Sie keine Kleidung, mit der Sie sich in Büschen oder Gestrüpp verfangen können.
- Um Schäden und Verletzungen an Kopf, Augen, Händen und Füßen zu vermeiden, aber auch um Ihr Gehör während des Betriebs zu schützen, müssen Sie während der Bedienung des Multifunktions-Antriebs die im Folgenden aufgeführte Schutzausrüstung bzw. Schutzkleidung tragen.
- Tragen Sie stets einen Helm, wenn Gegenstände herabfallen können. Der Schutzhelm (1) muss regelmäßig auf Beschädigungen überprüft und spätestens alle 5 Jahre ausgetauscht werden. Verwenden Sie ausschließlich zugelassene Schutzhelme.
- Das Visier (2) des Helms (oder alternativ eine Schutzbrille) schützt das Gesicht vor herumfliegenden Fremdkörpern und Steinen. Tragen Sie während des Betriebs des Multifunktions-Antriebs eine Schutzbrille oder ein Visier, um Verletzungen der Augen zu vermeiden.
- Tragen Sie einen angemessenen Gehörschutz, um eine Schädigung des Gehörs zu vermeiden (Gehörschutzkapseln (3), Gehörschutzstöpsel usw.).
- Arbeitsanzüge (4) schützen gegen herumfliegende Steine und Fremdkörper. Wir empfehlen dem Bediener dringend das Tragen eines Arbeitsoveralls.
- Spezielle Handschuhe (5) aus dickem Leder sind Bestandteil der vorgeschriebenen Ausrüstung und müssen stets bei Betrieb des Multifunktions-Aufsatzes getragen werden.
- Tragen Sie bei Betrieb des Multifunktions-Antriebs stets feste Schuhe (6) mit einer rutschfesten Sohle. Derartige Schuhe schützen vor Verletzungen und geben einen sicheren Halt.

Starten des Multifunktions-Antriebs

- Stellen Sie sicher, dass sich keine anderen Personen, insbesondere Kinder, in unmittelbarer Nähe befinden und achten Sie auf Tiere im Arbeitsbereich.
- Prüfen Sie die sichere Befestigung des Aufsatzes, die Gastaste auf einfache Bedienung, und überprüfen Sie die ordnungsgemäße Funktionsweise der Sicherheits- Sperrtaste.
- Im Leerlauf darf sich das Werkzeug nicht bewegen. Überprüfen Sie bei Bedenken die Einstellung mit Ihrem Händler. Überprüfen Sie, dass die Griffe sauber und trocken sind und testen Sie die Funktionsweise des Start/ Stoppschalters.

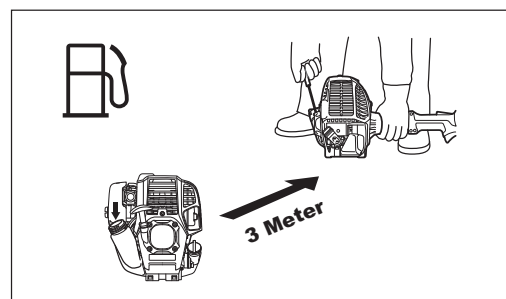
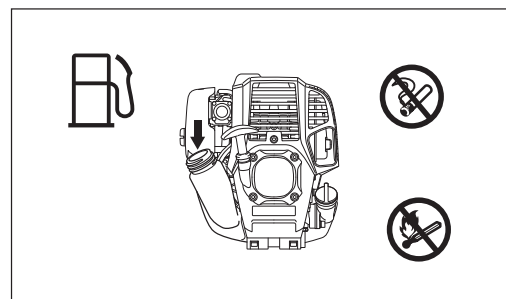
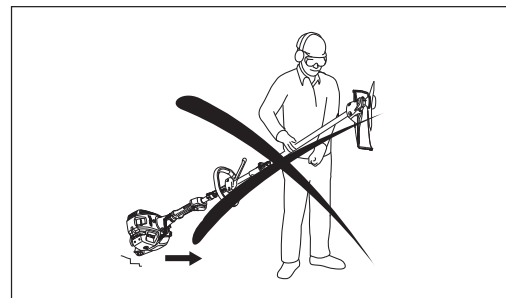
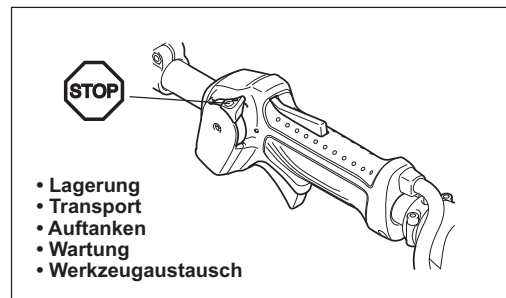
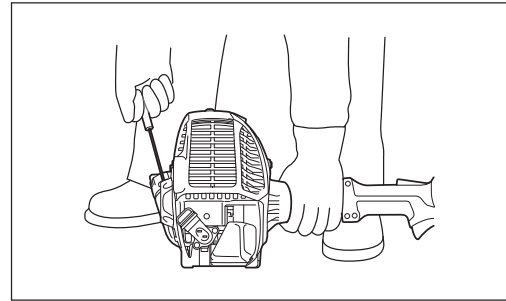


Starten Sie den Multifunktions-Antrieb nur gemäß den Anweisungen.

- Starten Sie den Motor auf keine andere Weise!
- Verwenden Sie den Multifunktions-Aufsatz und die Werkzeuge nur für die angegebenen Zwecke.
- Starten Sie den Motor des Multifunktions-Antriebs nur nach der vollständigen Montage des Werkzeugs. Der Betrieb des Werkzeugs ist nur nach Anbringen des geeigneten Zubehörs gestattet!
- Überprüfen Sie vor dem Starten, dass der Aufsatz keine harten Gegenstände (Geäst, Steine usw.) berührt, da sich das Werkzeug beim Starten dreht.
- Bei Motorproblemen muss der Motor sofort ausgeschaltet werden.
- Sollte das Werkzeug Steine oder andere harte Gegenstände treffen, schalten Sie sofort den Motor aus und überprüfen Sie den Aufsatz.
- Betreiben Sie den Multifunktions-Antrieb nur mit dazugehörigem Schultergurt, der vor der Inbetriebnahme des Multifunktions-Antriebs an den Benutzer angepasst werden muss. Wichtig ist, dass der Schultergurt auf die Körpergröße des Benutzers eingestellt wird, um ein Ermüden während der Verwendung zu verhindern. Halten Sie die Sense während des Betriebs niemals mit nur einer Hand.
- Halten Sie beim Betrieb den Multifunktions-Antriebs immer mit beiden Händen fest.
Sorgen Sie immer für einen sicheren Stand.
- Betreiben Sie den Multifunktions-Antrieb stets so, dass Sie keine Abgase einatmen. Betreiben Sie den Motor niemals in geschlossenen Räumen (Risiko einer Gasvergiftung). Kohlenmonoxid ist ein geruchloses Gas.
- Schalten Sie den Motor aus, wenn Sie das Werkzeug ablegen, oder wenn Sie den Multifunktions-Antrieb unbeaufsichtigt lassen, und lagern Sie das Werkzeug immer an einem sicheren Ort, um Verletzungen anderer Personen und Beschädigungen des Werkzeugs zu vermeiden.
- Legen Sie den heißen Multifunktions-Antrieb niemals auf trockenem Gras oder auf sonstigen brennbaren Materialien ab.
- Alle mit dem Werkzeug gelieferten Schutzvorrichtungen und Abdeckungen müssen während des Betriebs verwendet werden.
- Betreiben Sie den Motor niemals mit beschädigtem Schalldämpfer.
- Schalten Sie den Motor während des Transports aus.
- Befestigen Sie während des Transports über große Distanzen den mitgelieferten Werkzeugschutz.
- Gewährleisten Sie während des Transports eine sichere Position des Multifunktions-Antriebs, um das Auslaufen des Kraftstoffs zu verhindern.
- Stellen Sie während des Transports des Multifunktions-Antriebs sicher, dass der Kraftstofftank völlig leer ist.
- Lassen Sie beim Abladen des Multifunktions-Antriebs von einem LKW den Motor niemals fallen; dadurch kann der Kraftstofftank beschädigt werden.
- Lassen Sie den Multifunktions-Antrieb niemals (außer in einem Notfall) auf den Boden fallen, da dadurch der Multifunktions-Antrieb beschädigt werden kann.
- Heben Sie beim transportieren immer den gesamten Multifunktions-Antrieb vom Boden an. Das Ziehen über den Boden ist äußerst gefährlich, und kann zu Beschädigung oder Auslaufen des Kraftstoffs führen, und ggf. einen Brand verursachen.
- Wenn das Werkzeug einem starken Stoß ausgesetzt wurde oder heruntergefallen ist, überprüfen Sie den Zustand des Werkzeugs, bevor Sie die Arbeiten fortsetzen. Überprüfen Sie das Kraftstoffsystem auf Leckagen und die Bedienelemente und Sicherheitseinrichtungen auf Fehlfunktionen. Wenn Sie einen Schaden bemerken oder sich nicht sicher sind, wenden Sie sich zur Inspektion und Reparatur an unser Ihr autorisiertes Servicecenter.

Betanken

- Schalten Sie den Motor aus, halten Sie den Motor von offenen Flammen fern und rauchen Sie während des Auftankens nicht.
- Vermeiden Sie Hautkontakt mit Mineralölprodukten. Atmen Sie die Kraftstoffdämpfe nicht ein. Tragen Sie zum Betanken immer Schutzhandschuhe. Wechseln und reinigen Sie Schutzkleidung regelmäßig.
- Stellen Sie zur Vermeidung einer Kontamination des Erdbodens (Umweltschutz) sicher, dass kein Kraftstoff und kein Öl in das Erdreich eindringt. Falls etwas Kraftstoff ausläuft, reinigen Sie den Multifunktions-Antriebs sofort.
- Achten Sie darauf, dass Ihre Kleidung nicht in Kontakt mit Kraftstoff kommt. Falls Ihre Kleidung in Kontakt mit Kraftstoff kommt, wechseln Sie die Kleidung sofort (Brandgefahr!).
- Überprüfen Sie den Tankdeckel regelmäßig auf ordnungsgemäßen Sitz und auf Dichtheit.
- Schrauben Sie den Tankdeckel ordnungsgemäß fest. Entfernen Sie sich mindestens 3 m vom Ort des Betankens, bevor Sie den Motor starten.
- Betanken Sie das Werkzeug niemals in geschlossenen Räumen. Andernfalls kann eine Explosion aufgrund der Ansammlung von Kraftstoffdampf auf dem Boden verursacht werden.
- Transportieren und lagern Sie Kraftstoff ausschließlich in dafür zugelassenen Behältern. Stellen Sie sicher, dass Kinder keinen Zugang zu gelagertem Kraftstoff haben.

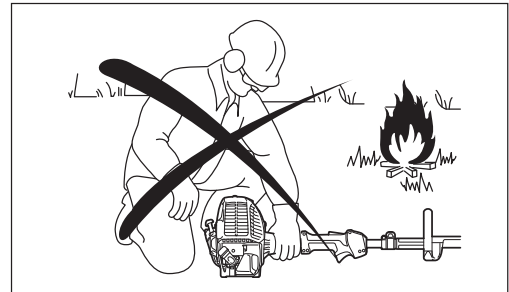


Handhabung

- Verwenden Sie den Multifunktions-Antrieb nur bei guten Licht- und Sichtverhältnissen. Achten Sie im Winter auf rutschige oder nasse Bereiche, z. B. auf vereiste oder schneebedeckte Flächen (Rutschgefahr). Sorgen Sie immer für einen sicheren Stand.
- Betreiben Sie den Multifunktions-Antrieb niemals, wenn Sie auf einer Leiter stehen.
- Klettern Sie niemals auf Bäume, um mit dem Multifunktions-Antrieb zu schneiden.
- Arbeiten Sie niemals auf nicht stabilen Flächen.
- Vergewissern Sie sich vor Verwendung des Antriebs, dass das Werkzeug die volle Arbeitsdrehzahl erreicht hat.
- Legen Sie regelmäßig Pausen ein, damit es nicht zu einem Kontrollverlust aufgrund von Ermüdungserscheinungen kommt. Wir empfehlen, jede Stunde eine Pause von 10 bis 20 Minuten einzulegen.

Wartungsanweisungen

- Lassen Sie Ihr Werkzeug durch unser autorisiertes Servicecenter warten, verwenden Sie stets nur originale Ersatzteile. Unsachgemäße Reparatur- und Wartungsarbeiten können die Lebenszeit des Werkzeugs verkürzen und das Unfallrisiko erhöhen.
- Versuchen Sie immer, den Multifunktions-Antrieb mit einer kleinstmöglichen Lärm- und Schadstoffemission zu betreiben. Überprüfen Sie vor allem, dass der Vergaser richtig eingestellt ist.
- Reinigen Sie den Multifunktions-Antrieb regelmäßig und überprüfen Sie, dass alle Schrauben und Muttern fest angezogen sind.
- Warten oder lagern Sie den Multifunktions-Antrieb niemals in der Nähe offener Flammen.
- Lagern Sie den Multifunktions-Antrieb in geschlossenen Räumen nur mit geleertem Kraftstofftank.



Beachten Sie die relevanten Unfallverhütungsvorschriften, die von den entsprechenden Berufsgenossenschaften und Versicherungsunternehmen herausgebracht werden.

Führen Sie keine Veränderungen an dem Multifunktions-Antrieb durch, andernfalls gefährden Sie Ihre Sicherheit.

Der Bediener darf nur die in dieser Gebrauchsanleitung beschriebenen Wartungs- und Reparaturarbeiten durchführen. Alle anderen Arbeiten müssen von autorisiertem Wartungspersonal durchgeführt werden. Verwenden Sie ausschließlich originale Ersatz- und Zubehörteile, die von MAKITA freigegeben sind und unterstützt werden.

Die Verwendung nicht genehmigter Zubehörteile und Werkzeuge führt zu einem erhöhten Unfallrisiko.

MAKITA übernimmt keine Haftung für Unfälle oder Schäden, die durch die Verwendung nicht genehmigter Aufsätze und Befestigungen der Aufsätze und Zubehörteile verursacht werden.

Erste Hilfe

Stellen Sie für den Fall eines Unfalls sicher, dass ein Erste-Hilfe-Kasten in der Nähe des Schnittbetriebs verfügbar ist. Ersetzen Sie aus dem Erste-Hilfe-Kasten entnommene Artikel sofort.

Machen Sie folgende Angaben, wenn Sie Hilfe benötigen:

- Ort des Unfalls
- Was ist passiert
- Anzahl der verletzten Personen
- Art der Verletzungen
- Ihr Name



Schwingung

- Wenn sich Personen mit Durchblutungsstörungen zu starken mechanischen Schwingungen aussetzen, kann es zu Schädigungen von Blutgefäßen und/oder Nervensystem kommen. Folgende Symptome können durch Vibrationen an Fingern, Händen oder Handgelenken auftreten: „Einschlafen“ von Körperteilen (Taubheit), Kribbeln, Schmerz, Stechen, Veränderung von Hautfarbe oder Haut. Falls eines dieser Symptome auftritt, suchen Sie einen Arzt auf!
- Um das Risiko der „Weißfingerkrankheit“ zu verringern, halten Sie Ihre Hände während des Arbeitens warm und warten und pflegen Sie das Werkzeug und Zubehörteile gut.

EG-KONFORMITÄTSERKLÄRUNG

Wir, Makita Corporation als verantwortlicher Hersteller, erklären, dass das/die folgende/n Gerät/Geräte der Marke Makita:

Bezeichnung des Geräts: Multifunktions-Antrieb
Nummer / Typ des Modells: EX2650LH
Technische Daten: siehe Tabelle „TECHNISCHE DATEN EX2650LH“
in Serienfertigung hergestellt wird/werden und

den folgenden Richtlinien der Europäischen Union genügt/genügen:

2000/14/EG, 2006/42/EG

Außerdem werden die Geräte gemäß den folgenden Standards oder Normen gefertigt:

EN/ISO11806, EN709, EN/ISO10517, EN/ISO11680, EN/ISO12100

Die technische Dokumentation erfolgt durch:

Makita International Europe Ltd., Technical Department,
Michigan Drive, Tongwell,
Milton Keynes, Bucks MK15 8JD, England

Das Verfahren zur Konformitätsbewertung, vorgesehen in 2000/14/EG, erfolgte in Übereinstimmung mit Anhang V.

EX2650LH mit EM400MP (Freischneider-Aufsatz)

Gemessener Schallleistungspegel: 108,5 dB (A)

Garantierter Schallleistungspegel: 113 dB (A)

EX2650LH mit EM401MP (Freischneider-Aufsatz)

Gemessener Schallleistungspegel: 102,7 dB (A)

Garantierter Schallleistungspegel: 105 dB (A)

EX2650LH mit ER400MP (Sensen-Aufsatz)

Gemessener Schallleistungspegel: 109,2 dB (A)

Garantierter Schallleistungspegel: 116 dB (A)

EX2650LH mit EN400MP (Heckenscheren-Aufsatz)

Gemessener Schallleistungspegel: 103,8 dB (A)

Garantierter Schallleistungspegel: 109 dB (A)

EX2650LH mit EN400MP (Heckenscheren-Aufsatz) und LE400MP (Schaftverlängerung)

Gemessener Schallleistungspegel: 104,0 dB (A)

Garantierter Schallleistungspegel: 106 dB (A)

Die Nummer der EG-Baumusterprüfbescheinigung als Hochentaster mit EY400MP, EY401MP, LE400MP lautet:

4811004.11016

Die EG-Baumusterprüfung nach 2006/42/EG wurde durchgeführt von:

DEKRA Testing and Certification GmbH
Enderstraße 92b
01277 Dresden, Deutschland
Kennnummer der benannten Stelle: 2140

30. 1. 2012



Tomoyasu Kato
Direktor
Makita Corporation
3-11-8, Sumiyoshi-cho,
Anjo, Aichi, 446-8502, JAPAN

TECHNISCHE DATEN EX2650LH

Modell	EX2650LH	
	Bügelgriff	
Abmessungen: Länge x Breite x Höhe (ohne Schneidblatt mit Sperre)	mm	975 x 323 x 241
Abmessungen: Länge x Breite x Höhe (ohne Schneidblatt ohne Sperre)	mm	975 x 242 x 241
Gewicht (ohne Kunststoffschutz und Schneidblatt)	kg	4,6
Volumen (Kraftstofftank)	l	0,6
Volumen (Ölbehälter)	l	0,08
Motor-Hubraum	cm ³	25,4
Maximale Motorleistung	kW	0,77 bei 7.000 min ⁻¹
Motordrehzahl bei empfohlener max. Spindeldrehzahl	min ⁻¹	8.500
Maximale Spindeldrehzahl (entsprechend)	min ⁻¹	6.500
Maximaler Kraftstoffverbrauch	kg/h	0,33
Maximaler spezifischer Kraftstoffverbrauch	g/kWh	408
Leerlaufdrehzahl	min ⁻¹	3.000
Drehzahl für Kupplungseingriff	min ⁻¹	3.900
Vergaser	Typ	WALBRO WYL
Zündungssystem	Typ	Transistorzündung
Zündkerze	Typ	NGK CMR4A
Elektrodenabstand	mm	0,7 - 0,8
Kraftstoff		Fahrzeugbenzin
Motorenöl		SAE 10W-30 Öl der API-Klassifikation, Klasse SF oder höher (4-Viertaktmotor für Autos)

Schwingung

Zubehör	Rechter Handgriff (hinterer Griff)		Linker Handgriff (vorderer Griff)		Zutreffende Standards
	$a_{hv\ eq}$ (m/s ²)	Abweichung K (m/s ²)	$a_{hv\ eq}$ (m/s ²)	Abweichung K (m/s ²)	
EM400MP	6,5	1,2	5,9	1,8	ISO 22867
EM401MP	5,6	2,1	4,8	1,0	ISO 22867
ER400MP	7,1	2,8	5,5	2,7	ISO 22867
EY400MP	9,4	2,0	4,2	2,0	ISO 22867
EY400MP + LE400MP	4,8	2,0	3,4	2,0	ISO 22867
EY401MP	6,5	2,0	3,8	2,0	ISO 22867
EY401MP + LE400MP	5,6	2,0	3,4	2,0	ISO 22867
EN400MP	8,4	1,8	5,0	0,7	ISO 10517
EN400MP + LE400MP	8,0	1,7	4,3	0,7	ISO 10517
KR400MP	5	1,1	4,4	2,3	ISO 22867
EJ400MP	7,1	1,5	4,9	1,5	ISO 22867
EJ400MP + LE400MP	6,4	0,6	4,0	0,7	ISO 22867

Geräuschpegel

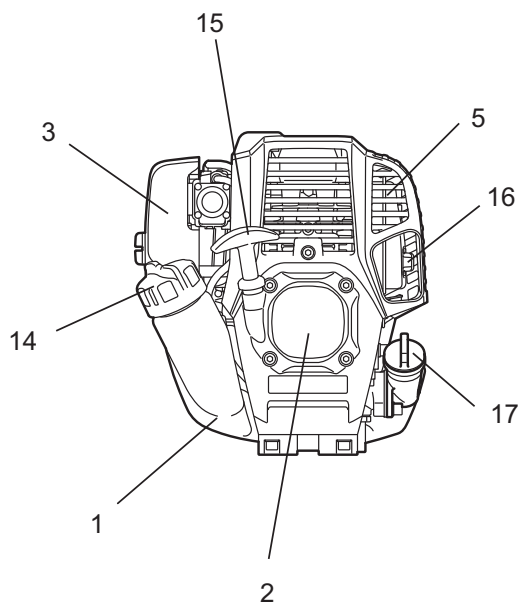
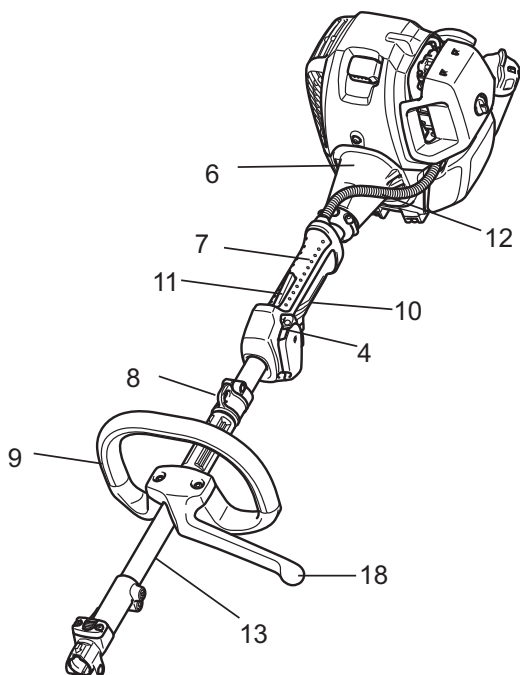
Zubehör	Schalldruckpegel – Durchschnitt		Schalleistungspegel – Durchschnitt		Zutreffende Standards
	L _{PA,eq}	Abweichung K	L _{WA,eq}	Abweichung K	
EM400MP	95,0	4,4	105,5	3,3	ISO 22868
EM401MP	89,9	3,6	99,7	2,7	ISO 22868
ER400MP	97,9	4,2	106,2	4,0	ISO 22868
EY400MP	93,0	2,5	104,5	2,5	ISO 22868
EY400MP + LE400MP	90,3	2,5	107,8	2,5	ISO 22868
EY401MP	92,6	2,5	104,7	2,5	ISO 22868
EY401MP + LE400MP	90,5	2,5	107,9	2,5	ISO 22868
EN400MP	93,1	4,4	102,9	4,8	ISO 10517
EN400MP + LE400MP	87,8	1,9	103,0	2,0	ISO 10517
KR400MP	93,7	2,6	99,7	1,2	ISO 22868
EJ400MP	89,0	2,3	99,8	1,1	ISO 22868
EJ400MP + LE400MP	88,1	2,2	100,8	2,3	ISO 22868

GENEHMIGTE AUFSÄTZE

AUFSÄTZE	Modelle
Freischneider-Aufsatz	EM400MP, EM401MP
Sensen-Aufsatz	ER400MP
Hochentaster-Aufsatz	EY400MP, EY401MP
Heckenscheren-Aufsatz	EN400MP
Kultivator-Aufsatz	KR400MP
Kaffee-Ernte-Aufsatz	EJ400MP
Schaftverlängerung	LE400MP

BEZEICHNUNG DER BAUTEILE

EX2650LH



D	BEZEICHNUNG DER BAUTEILE
1	Kraftstofftank
2	Seilstarter
3	Luftfilter
4	I/O-Schalter (EIN/AUS)
5	Schalldämpfer
6	Kupplungsgehäuse
7	Hinterer Handgriff
8	Aufhängung
9	Vorderer Handgriff
10	Gastaste
11	Sicherheits-Sperrtaste
12	Gaszug
13	Tragrohr
14	Kraftstoff Tankdeckel
15	Startergriff
16	Abgas Austritt
17	Öl Reservoir Deckel
18	Sperre*

Hinweis: In einigen Ländern wird die Sperre nicht mitgeliefert.

MONTIEREN DES GRIFFS

ACHTUNG: Stoppen Sie vor allen Arbeiten mit dem Multifunktions-Antrieb den Motor und ziehen Sie den Zündkerzenstecker von der Zündkerze. Tragen Sie immer Schutzhandschuhe!

ACHTUNG: Stellen Sie sicher, dass Sie den Multifunktions-Antrieb vor dem Start wieder vollständig montiert haben.

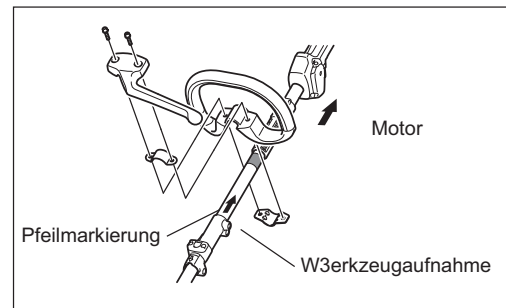


Montieren des Bügelgriffs

- Passen Sie Sperre und Handgriff mit Hilfe von zwei Schrauben und Klemmen am Wellenrohr an. Positionieren Sie zu diesem Zeitpunkt die Sperre an der linken Seite des Werkzeugs, entsprechend der Abbildung.
- Stellen Sie sicher, dass die Baugruppe aus Handgriff/Sperre zwischen das Distanzstück und die Pfeilmarkierung platziert wird. Entfernen oder kürzen Sie das Distanzstück nicht.
- Entfernen Sie nach der Montage die Sperre nicht.

ACHTUNG: Befestigen Sie den Handgriff nicht auf dem Verbindungsstück oder dem Etikett.

Hinweis: In einigen Ländern werden die Sperre und die Pfeilmarkierung nicht mitgeliefert.



MONTIEREN DES AUFSATZES

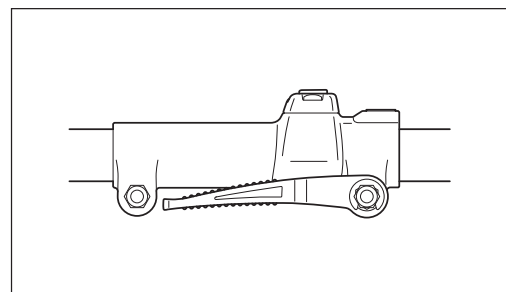
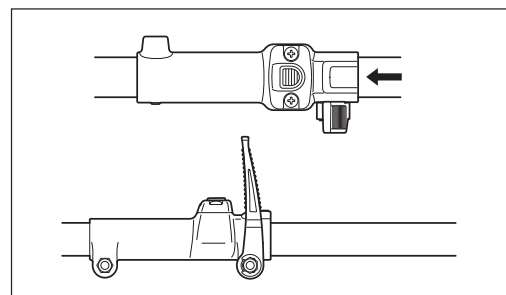
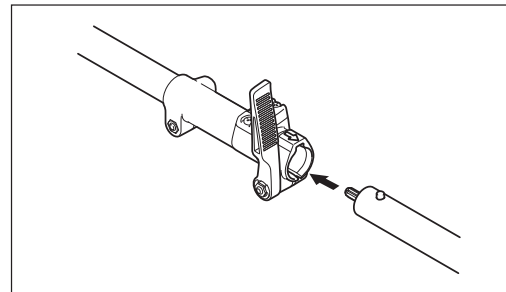
ACHTUNG: Stoppen Sie vor allen Arbeiten mit dem Multifunktions-Antrieb den Motor und ziehen Sie den Zündkerzenstecker von der Zündkerze. Tragen Sie immer Schutzhandschuhe!

ACHTUNG: Stellen Sie sicher, dass Sie den Multifunktions-Antrieb vor dem Start wieder vollständig montiert haben.



Montage

- Lösen Sie den Hebel.
- Richten Sie den Befestigungsstift an der Führungsnut aus, drücken Sie den Taster, und führen Sie den Stift ein.
- Führen Sie den Aufsatz in die Werkzeugaufnahme ein. Prüfen Sie, dass die Arretierung eingerastet ist, und der Taster sich wieder hebt.
- Ziehen Sie den Hebel fest. (Weitere Informationen finden Sie im Diagram rechts.)

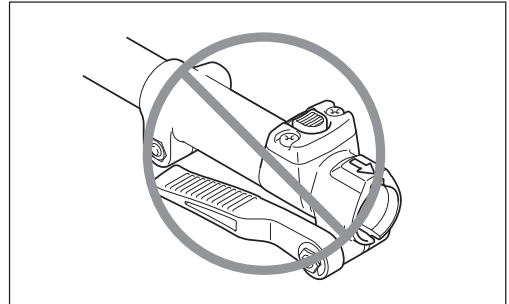
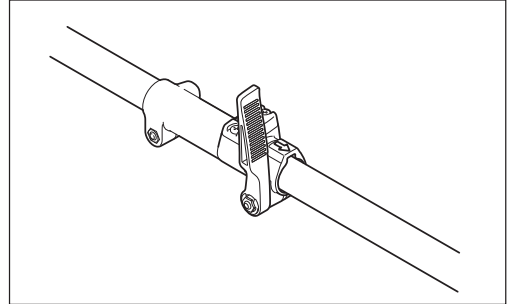


DEMONTIEREN

- Lösen Sie den Hebel.
- Drücken Sie den Taster und ziehen Sie den Aufsatz heraus.
(Versuchen Sie, den Aufsatz so gerade wie möglich herauszuziehen.)

Hinweis:

- Bei nicht montiertem Aufsatz den Spannhebel nicht spannen!



VOR DEM BETRIEB

Inspektion und Nachfüllen von Motorenöl

- Gehen Sie dazu wie folgt vor, wenn der Motor abgekühlt ist.
- Stellen Sie den Motor auf einer ebenen Fläche ab, entfernen Sie den Öldeckel (Abb. 1) und prüfen Sie, ob Sie Öl im Bereich zwischen den oberen und unteren Grenzmarkierungen des Einfüllstutzens sehen (Abb. 2).
- Füllen Sie Öl bis zur oberen Grenzmarkierung auf, falls nicht ausreichend Öl vorhanden ist (Ölstand nahe der unteren Grenzmarkierung) (Abb. 3).
- Der Bereich um die äußeren Markierungen ist transparent, so dass Sie den Ölstand im Inneren prüfen können, ohne den Öldeckel abzunehmen. Wenn der Einfüllstutzen jedoch stark verschmutzt ist, kann die Sichtbarkeit verloren gehen, und der Ölstand muss am gestuften Bereich im Inneren des Stutzens geprüft werden.
- Als Richtgröße sollten 10 Stunden für die Zeit für das Nachfüllen von Öl angenommen werden (alle 10 Befüllungen)
Falls das Öl seine Farbe ändert oder sich mit Schmutz vermischt, ersetzen Sie es durch neues Öl. (Weitere Informationen zum Intervall und der Methode des Ölwechsels finden Sie auf Seite 59.)

Empfohlenes Öl: SAE 10W-30 Öl der API-Klassifikation, Klasse SF oder höher (Viertakt Motoröl für Automobile)

Ölmenge: ca. 0,08 l

Hinweis: Falls der Motor nicht aufrecht gehalten wird, kann Öl über den Motor fließen, oder den Motor überfüllen.
Falls zuviel Öl eingefüllt wird, kann das Öl verschmutzen, oder als weißer Rauch verbrennen.

Punkt 1 beim Ölwechsel: „Öldeckel“

- Entfernen Sie Staub und Schmutz um den Öleinfüllstutzen und entfernen Sie den Öldeckel.
- Halten Sie den entfernten Öldeckel frei von Sand und Staub. Andernfalls kann am Öldeckel anheftender Sand oder Staub eine abnormale Ölzirkulation, einen Verschleiß der Motorteile, oder andere Probleme verursachen.

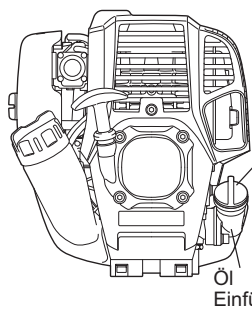


Abb. 1

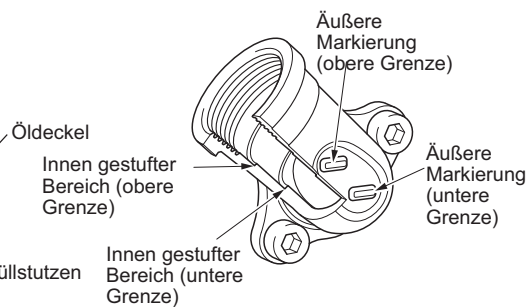


Abb. 2: Öl Einfüllstutzen

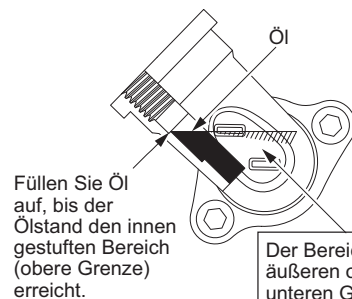
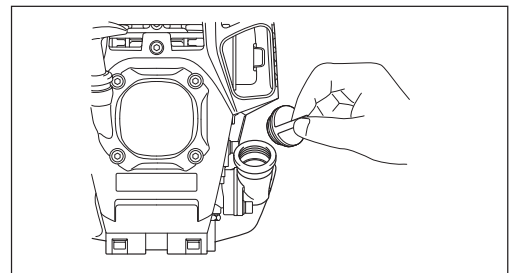


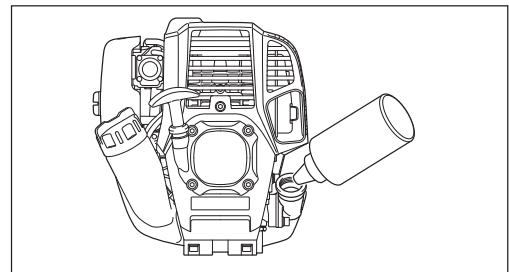
Abb. 3

Der Bereich zwischen äußeren oberen und unteren Grenzen ist transparent, so können Sie den Ölstand von außen gegen diese Markierungen prüfen.

- (1) Legen Sie die Maschine in horizontaler Position ab, und nehmen Sie den Öldeckel ab.



- (2) Füllen Sie Öl bis zu oberen Grenzmarkierung auf. (siehe Abb. 3)
Verwenden Sie zum Auffüllen eine Ölflasche.



- (3) Ziehen Sie den Öldeckel fest. Bei unzureichendem Festziehen kann Öl auslaufen.

Hinweis

- Wechseln Sie das Öl nicht in geneigter Position des Motors.
- Befindet sich der Motor beim Befüllen in geneigter Position, wird zu viel Öl aufgefüllt, und es kann zu Ölverschmutzungen und/oder Ölnebelbildung kommen.

Punkt 2 beim Ölwechsel: „Falls Öl ausläuft“

- Falls Öl zwischen Kraftstofftank und Motorenhauptblock ausläuft, wird das Öl über den Kühlluftreinlass angesaugt, sodass der Motor verunreinigt wird. Vergewissern Sie sich, dass Sie vor dem Start des Betriebs alles ausgelaufene Öl abgewischt haben.

AUFTANKEN

Umgang mit dem Kraftstoff

Beim Umgang mit Kraftstoff ist äußerste Vorsicht geboten. Kraftstoffe können den Lösungsmitteln ähnliche Substanzen enthalten. Tanken Sie nur in einem gut belüfteten Raum oder im Freien auf. Atmen Sie die Kraftstoffdämpfe nicht ein, und vermeiden Sie jeglichen Kontakt mit dem Kraftstoff. Durch anhaltenden oder wiederholten Hautkontakt wird Ihre Haut trocken, was zu Hauterkrankungen oder allergischen Reaktionen führen kann. Falls Kraftstoff in Ihre Augen gelangt, reinigen Sie diese sofort mit frischem Wasser. Falls die Augenirritation anhält, suchen Sie einen Arzt auf.

Aufbewahrungszeitraum von Kraftstoff

Der Kraftstoff sollte innerhalb eines Zeitraums von 4 Wochen verwendet werden, auch wenn er in einem speziellen Container an einem gut belüfteten, schattigen Ort gelagert wird.

Falls kein spezieller Container verwendet wird, oder falls der Container nicht verschlossen wird, kann der Kraftstoff innerhalb eines Tages zerfallen.

LAGERUNG DES WERKZEUGS UND AUFTANKEN

- Lagern Sie das Werkzeug und den Tank an einem kühlen Ort ohne direkte Sonneneinstrahlung.
- Lagern Sie Kraftstoff niemals im Fahrzeuginnenraum oder Kofferraum.

Kraftstoff

Der Motor ist ein Vier-Takt-Motor. Vergewissern Sie sich, dass Sie Fahrzeugbenzin (Normal- oder Super-Benzin) verwenden.

Wichtige Punkte beim Tanken

- Verwenden Sie niemals ein Gemisch aus Benzin und Motorenöl. Andernfalls treten übermäßige Kohleablagerungen oder mechanische Probleme auf.
- Die Verwendung von zersetztem Öl führt zu einem ungleichförmigen Anlaufen.

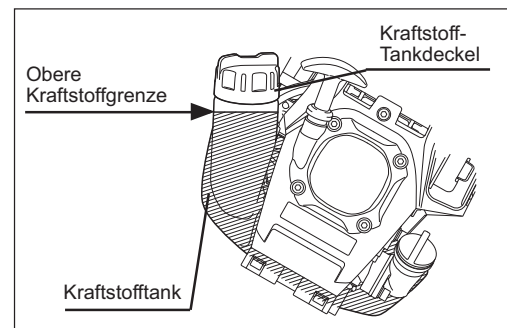
Auftanken

WARNUNG: UMGANG MIT OFFENEN FLAMMEN STRENGSTENS VERBOTEN!

Verwendetes Benzin: Fahrzeugbenzin (bleifreies Benzin)

- Öffnen Sie den Tankdeckel ein wenig, um einen Druckausgleich zu gewährleisten.
- Entfernen Sie den Tankdeckel. Tanken Sie auf und leiten Sie die Luft ab, indem Sie den Kraftstofftank neigen, sodass der Nachfüllstutzen nach oben zeigt. (Füllen Sie Kraftstoff niemals bis zum Ölnachfüllstutzen.)
- Wischen Sie um den Tankdeckel gut sauber, damit keine Fremdkörper in den Kraftstofftank eindringen können.
- Schrauben Sie nach dem Auftanken den Tankdeckel sicher fest.

- Falls der Tankdeckel einen Riss oder eine Beschädigung aufweist, ersetzen Sie den Deckel.
- Der Tankdeckel ist ein Verschleißartikel und sollte daher alle zwei bis drei Jahre durch einen neuen Deckel ersetzt werden.



RICHTIGE HANDHABUNG DES WERKZEUGS

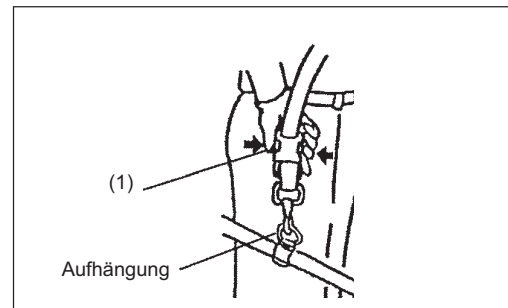
Befestigen des Schultergurtes

- Stellen Sie den Tragegurt entsprechend Ihrer Anwendung ein.

Trennen

- Drücken Sie im Notfall die Einrastungen (1) an beiden Seiten, und Sie können das Werkzeug von sich abtrennen.
Gehen Sie äußerst vorsichtig vor, damit Sie jederzeit die Kontrolle über das Werkzeug behalten. Lassen Sie nicht zu, dass das Werkzeug in Ihre Richtung oder in Richtung anderer Personen in Ihrer Nähe abprallt.

WARNUNG: Andernfalls können Sie die Kontrolle über das Werkzeug verlieren und schwere oder TÖDLICHE Verletzungen verursachen.



WICHTIGE BETRIEBSSCHRITTE UND STOPPEN DES WERKZEUGS

Beachten Sie die geltenden Bestimmungen zur Unfallvermeidung!

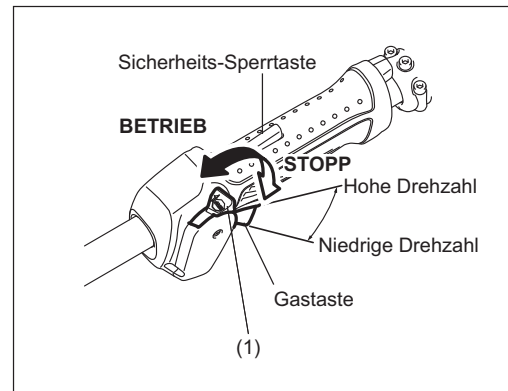


EINSCHALTEN

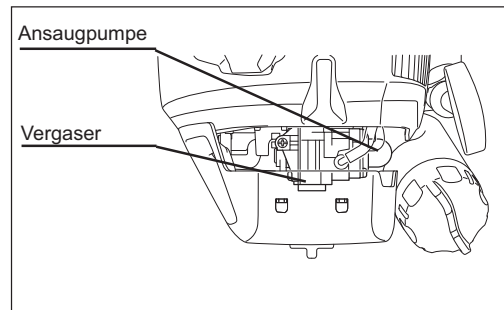
Bewegen Sie sich mindestens 3 m von dem Platz des Auftankens weg. Legen Sie den Multifunktions-Antrieb auf einem sauberen Untergrund ab und achten Sie darauf, dass der Aufsatz nicht in Kontakt mit dem Erdboden oder anderen Gegenständen kommt.

A: Kaltstart

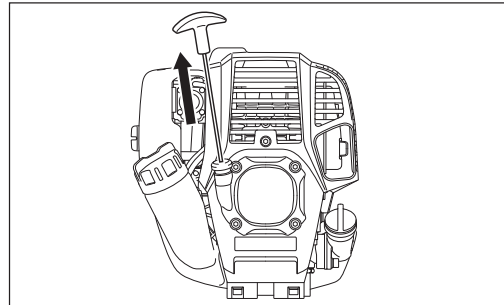
- 1) Legen Sie das Werkzeug auf einer ebenen Fläche ab.
- 2) Stellen Sie den I/O-Schalter (1) auf BETRIEB.



- 3) Ansaugpumpe
Drücken Sie die Ansaugpumpe weiter, bis Kraftstoff in die Ansaugpumpe eintritt.
(Im Allgemeinen tritt Kraftstoff nach 7 bis 10 Pumpvorgängen in die Ansaugpumpe ein.)
Falls die Ansaugpumpe übermäßig gedrückt wird, fließt das überflüssige Benzin zurück in den Kraftstofftank.



- 4) Seilstarter
Ziehen Sie langsam den Startergriff, bis dieser schwer zu ziehen ist (Verdichtungspunkt). Bringen Sie den Startergriff zurück in seine Ausgangsposition und ziehen Sie den Starterknopf nun kräftig.
Ziehen Sie das Seil niemals ganz. Lassen Sie beim Ziehen des Startergriffs niemals unvermittelt los. Halten Sie den Startergriff, bis dieser in die ursprüngliche Lage zurückgekehrt ist.
- 5) Aufwärmbetrieb
Setzen Sie den Aufwärmbetrieb für 2 bis 3 Minuten fort.



Hinweis: Falls zu viel Kraftstoff in den Motor gelangt ist, schrauben Sie die Zündkerze heraus und ziehen Sie langsam am Startergriff, damit der überflüssige Kraftstoff aus dem Motor austritt. Trocknen Sie außerdem die Elektroden der Zündkerze.

Vorsichtsmaßnahmen bei Betrieb:

Wenn die Gastaste ohne Last voll betätigt wird, erreicht der Motor eine Drehzahl über 10.000 U/min. Betreiben Sie den Motor niemals mit einer höheren Drehzahl als erforderlich, halten Sie eine Drehzahl von ca. 6.000 bis 8.500 U/min ein.

B: Starten nach dem Aufwärmbetrieb

- 1) Drücken Sie die Ansaugpumpe wiederholt.
- 2) Halten Sie den Gastaste in der Leerlaufposition.
- 3) Ziehen Sie den Seilstarter kräftig.
- 4) Falls sich der Motor schwer starten lässt, öffnen Sie die Gastaste um 1/3.
Achten Sie auf das Werkzeug, es könnte sich drehen.

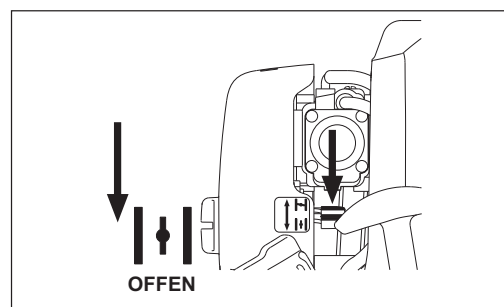
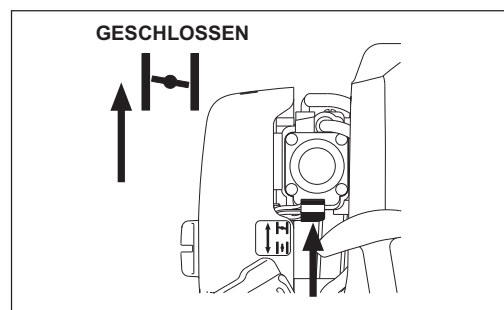
Manchmal, zum Beispiel im Winter, lässt sich der Motor schwer starten

Betätigen Sie beim Starten des Motors den Choke-Hebel wie folgt.

- Stellen Sie nach der Umsetzung der Ablaufschritte 1) bis 3) den Choke-Hebel auf die Position GESCHLOSSEN.
- Führen Sie Ablaufschritt 4) aus und starten Sie den Motor.
- Stellen Sie nach dem Starten des Motors den Choke-Hebel auf die Position OFFEN.
- Führen Sie Ablaufschritt 5) aus und beenden Sie das Aufwärmen.

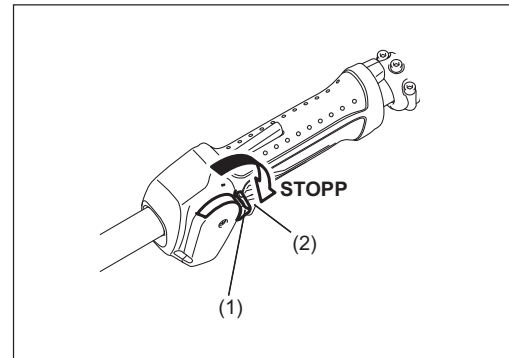
ACHTUNG: Falls Sie einen Knall (erste Zündung) hören und der Motor stoppt, oder der soeben gestartete Motor wieder aus geht, bevor Sie den Choke-Hebel betätigen, bringen Sie den Choke-Hebel zurück in die Position OFFEN und ziehen Sie den Startergriff noch einige Male, um den Motor zu starten.

ACHTUNG: Falls sich der Choke-Hebel in der Position GESCHLOSSEN befindet, und der Seilstarter nur wiederholt gezogen wurde, wird zu viel Kraftstoff angesaugt und der Motor wird schwer zu starten sein.



STOPPEN

- 1) Lassen Sie die Gastaste (2) vollkommen los, und drücken Sie, wenn sich die Motordrehzahl verlangsamt hat, den I/O-Schalter in die Position STOPP, um den Motor zu stoppen.
- 2) Beachten Sie, dass der Aufsatz nicht sofort stoppt, und prüfen Sie, dass dieser von selbst langsamer wird.

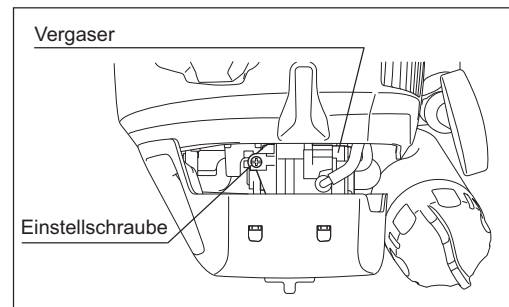


ANPASSEN DER LEERLAUFDREHZAHL

Passen Sie die Leerlaufdrehzahl bei Bedarf mit Hilfe der Vergaser-Einstellschraube an.

ÜBERPRÜFEN DER LEERLAUFDREHZAHL

- Stellen Sie die Leerlaufdrehzahl auf 3.000 U/min ein.
Passen Sie die Leerlaufdrehzahl bei Bedarf an, indem Sie die Einstellschraube (rechts abgebildet) mit einem Kreuzschlitz-Schraubendreher regulieren.
- Drehen Sie die Einstellschraube nach rechts, um die Motordrehzahl zu erhöhen.
Drehen Sie die Einstellschraube nach links, um die Motordrehzahl zu verringern.
- Im Allgemeinen wurde der Vergaser vor dem Versand eingestellt. Falls eine Neueinstellung erforderlich ist, wenden Sie sich bitte an eine autorisierte Fachwerkstatt.



WARTUNGSANWEISUNGEN

ACHTUNG: Stoppen Sie vor allen Arbeiten mit dem Multifunktions-Antrieb den Motor und ziehen Sie den Zündkerzenstecker von der Zündkerze (siehe „Überprüfen der Zündkerze“).

Tragen Sie immer Schutzhandschuhe!

Verwenden Sie zum Reinigen niemals Kraftstoffe, Benzin, Verdünner, Alkohol oder ähnliches. Dies kann zu Verfärbungen, Verformungen oder Rissen führen.

Führen Sie die folgenden Wartungsarbeiten regelmäßig durch, um eine lange Lebenszeit des Werkzeugs zu erzielen und Beschädigungen am Werkzeug zu vermeiden.

Tägliche Inspektionen und Wartungsarbeiten

- Überprüfen Sie vor dem Betrieb das Werkzeug auf gelockerte Schrauben und fehlende Teile. Achten Sie vor allem bei einem bestimmten Aufsatz auf eine sichere Montage.
- Überprüfen Sie vor jedem Betrieb, ob die Kühlluftdurchgänge und die Zylinderrippen verstopft sind. Reinigen Sie diese bei Bedarf.
- Führen Sie die folgenden Wartungsarbeiten täglich nach der Arbeit durch:
 - Reinigen Sie den Multifunktions-Antrieb äußerlich und überprüfen Sie ihn auf Beschädigungen.
 - Reinigen Sie den Luftfilter. Wenn Sie unter sehr staubigen Bedingungen arbeiten, reinigen Sie den Filter mehrmals am Tag.
 - Prüfen Sie, dass der Abstand zwischen Leerlauf- und Betriebsdrehzahlen ausreichend ist, damit der Aufsatz bei Leerlauf des Motors im Stillstand ist (reduzieren Sie bei Bedarf die Leerlaufdrehzahl). Falls sich das Werkzeug während des Leerlaufs des Motors weiter dreht, wenden Sie sich an die nächste autorisierte Fachwerkstatt.
- Prüfen Sie den I/O-Schalter, die Sperrtaste, und den Gastaster auf ordnungsgemäße Funktion.

WECHSELN DES MOTORENÖLS

Zersetztes Motorenöl verkürzt die Lebensdauer der gleitenden und rotierenden Teile in großem Maße. Halten Sie sich an Wartungsintervalle und vorgegebene Ölmengen.



ACHTUNG: Im Allgemeinen sind der Motorblock und das Motorenöl nach dem unmittelbaren Stopp des Motors noch heiß. Überprüfen Sie bei einem Ölwechsel, dass der Motorblock und das Motorenöl ausreichend abgekühlt sind. Andernfalls besteht Verbrennungsgefahr.

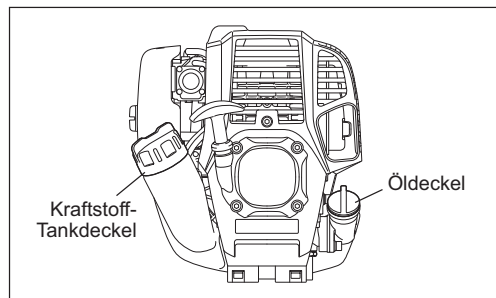
Hinweis: Falls zuviel Öl eingefüllt wird, kann das Öl verschmutzt werden, oder unter weißer Rauchentwicklung Feuer fangen.

Intervall für den Ölwechsel: Zu Beginn alle 20 Betriebsstunden und anschließend alle 50 Betriebsstunden

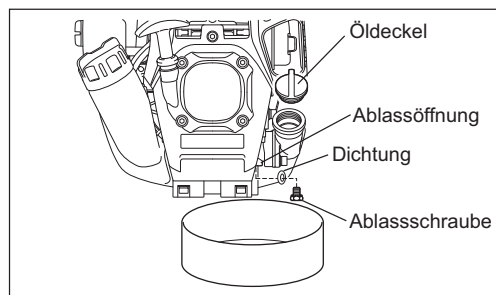
Empfohlenes Öl: SAE 10W-30 Öl der API-Klassifikation, Klasse SF oder höher (Viertaktmotor für Autos)

Gehen Sie zum wechseln des Öles wie folgt vor.

- 1) Überprüfen Sie, dass der Kraftstoff Tankdeckel sicher festgezogen ist.
- 2) Stellen Sie einen großen Behälter (Auffangwanne, usw.) unter die Ablassöffnung.



- 3) Entfernen Sie die Öl Ablassschraube, und öffnen Sie anschließend den Öldeckel. Verlegen Sie die Dichtung des Ablassstutzens nicht und achten Sie darauf, dass die ausgebauten Teile nicht verschmutzen.

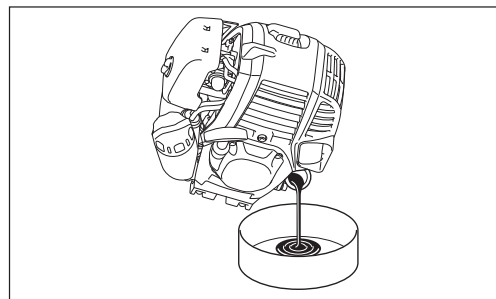


- 4) Setzen Sie, wenn alles Öl abgelassen wurde, die Dichtung unter die Ablassschraube und ziehen Sie die Schraube wieder fest, so dass sie sich nicht löst und eine Undichtigkeit verursacht.

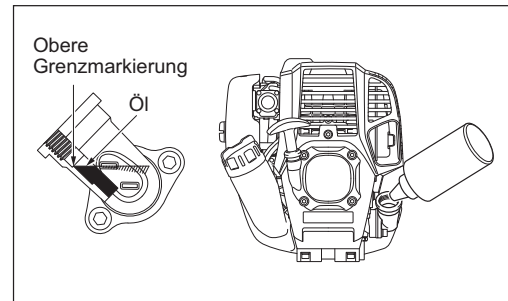
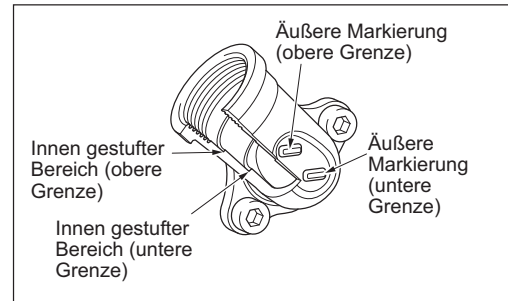
* Wischen Sie anhaftendes Öl am Einfüllstutzen oder Motor mit einem Tuch ab.

Alternative Ablassmethode

Entfernen Sie den Öldeckel, neigen Sie den Multifunktions-Antrieb so, dass das Öl über die Einfüllöffnung abfließt. Sammeln Sie das Öl in einem Behälter.



- 5) Legen Sie die Maschine in horizontaler Position ab, und füllen Sie langsam neues Öl bis zur oberen Grenzmarkierung nach.
- 6) Ziehen Sie nach dem Auffüllen den Öldeckel fest, so dass sich dieser nicht löst und eine Undichtigkeit verursacht.
Falls der Öldeckel nicht sicher festgezogen ist, kann ein Leck entstehen.



WICHTIGE PUNKTE ZUM ÖL

- Entsorgen Sie ausgetauschtes Motorenöl niemals über den Hausmüll, in die Erde oder in Abwasserkanäle. Die Altölersorgung ist gesetzlich geregelt. Halten Sie bei der Entsorgung stets die entsprechenden Regelungen und Bestimmungen ein. Wenden Sie sich bei Unklarheiten an eine autorisierte Fachwerkstatt.
- Öl zersetzt sich, auch wenn es nicht verwendet wird. Führen Sie regelmäßig eine Überprüfung und einen Ölwechsel durch (Ölwechsel alle 6 Monate).

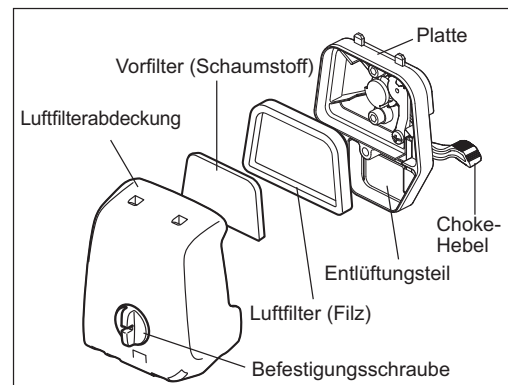
REINIGEN DES LUFTFILTERS



GEFAHR: UMGANG MIT OFFENEN FLAMMEN STRENGSTENS VERBOTEN!

Intervall für Reinigung und Inspektion: Täglich (alle 10 Betriebsstunden)

- Drehen Sie den Choke-Hebel vollständig zu, und halten Sie den Vergaser fern von Staub oder Schmutz.
- Lösen Sie die Befestigungsschraube der Luftfilterabdeckung.
- Nehmen Sie die Luftfilterabdeckung durch Ziehen an der Unterseite ab.
- Entnehmen Sie die Filtereinsätze und klopfen Sie den Staub aus ihnen.
- Falls die Filtereinsätze stark verschmutzt sind:
Entnehmen Sie die Filtereinsätze, tauchen Sie diese in warmes Wasser oder in Wasser mit verdünntem neutralem Reinigungsmittel, und lassen Sie die Filtereinsätze anschließend vollständig trocknen. Drücken und schrubben Sie die Filtereinsätze beim Reinigen nicht.
- Lassen Sie die Filtereinsätze vollständig trocknen, bevor Sie diese wieder einbauen. Bei unzureichender Trocknung der Filtereinsätze können Schwierigkeiten beim Starten des Motors auftreten.
- Wischen Sie anhaftendes Öl um die Luftfilterabdeckung und die Entlüftung mit einem Putzlappen ab.
- Passen Sie den Vorfilter (Schaumstoff) in den Luftfilter (Filz) ein. Passen Sie die Filtereinsätze so in die Platte ein, dass der Schaumstoff zur Luftfilterabdeckung zeigt.
- Bringen Sie die Luftfilterabdeckung unverzüglich an, und sichern Sie diese mit Hilfe der Befestigungsschraube. (Bringen Sie bei der Wiedermontage zuerst die obere Seite und dann die untere Seite wieder an.)



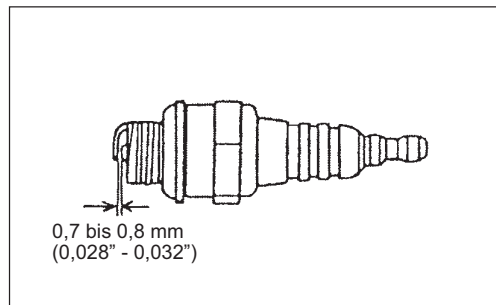
HINWEIS:

- Reinigen Sie die Filtereinsätze mehrere Male am Tag, falls übermäßig Staub anhaftet. Verschmutzte Filtereinsätze führen zum Absinken der Motorleistung und erschweren das Starten des Motors.
- Reinigen Sie die Filtereinsätze von Öl. Falls der Betrieb mit överschmutzten Filtereinsätzen fortgesetzt wird, kann Öl aus dem Luftfilter austreten und zu einer Ölverschmutzung führen.
- Legen Sie die Filtereinsätze nicht auf der Erde oder an verschmutzten Stellen ab. Andernfalls können anhaftender Staub oder Schmutz Schäden am Motor verursachen.
- Verwenden Sie zum Reinigen der Filtereinsätze niemals Kraftstoff. Die Filtereinsätze können durch Kraftstoff beschädigt werden.

ÜBERPRÜFEN DER ZÜNDKERZE

- Verwenden Sie nur den mitgelieferten Universalschraubenschlüssel, um die Zündkerze zu entfernen oder einzubauen.
- Der Abstand zwischen den Elektroden der Zündkerze sollte zwischen 0,7 und 0,8 mm liegen. Wenn der Abstand zu klein oder zu groß ist, korrigieren Sie den Abstand. Falls die Zündkerze verschmutzt oder verstopft ist, reinigen Sie diese gründlich oder ersetzen Sie sie.

ACHTUNG: Berühren Sie den Zündkerzenstecker niemals, wenn der Motor läuft (Gefahr eines Hochspannungsschlags).



REINIGEN DES KRAFTSTOFFFILTERS

WARNUNG: UMGANG MIT OFFENEN FLAMMEN STRENGSTENS VERBOTEN!

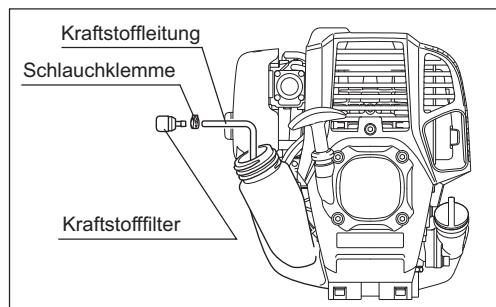
Intervall für Reinigung und Inspektion: Monatlich (alle 50 Betriebsstunden)

Ansaugkopf im Kraftstofftank

Überprüfen Sie den Kraftstofffilter regelmäßig. Führen Sie die unten genannten Schritte aus, um den Kraftstofffilter zu überprüfen:

- (1) Nehmen Sie den Tankdeckel ab und lassen Sie den Kraftstoff ab, bis der Tank leer ist. Überprüfen Sie das Tankinnere auf Fremdkörper. Entfernen Sie diese, falls vorhanden.
- (2) Ziehen Sie mit Hilfe eines Drahtakens den Ansaugkopf durch die Tanköffnung.
- (3) Wenn der Kraftstofffilter leicht verschmutzt ist, reinigen Sie den Kraftstofffilter. Reinigen Sie den Kraftstofffilter, indem Sie ihn in Kraftstoff schütteln und ausklopfen. Drücken oder reiben Sie den Filter nicht, da der Filter dadurch beschädigt werden könnte. Der für das Reinigen verwendete Kraftstoff muss entsprechend der örtlich geltenden Gesetze und Bestimmungen entsorgt werden.
Wenn der Kraftstofffilter verhärtet oder stark verstopft ist, tauschen Sie den Filter aus.
- (4) Drücken Sie den Kraftstofffilter nach dem Überprüfen, Reinigen oder Austauschen bis ganz nach unten in den Kraftstofftank.

Ein verstopfter oder beschädigter Kraftstofffilter kann zu einer unzureichenden Zufuhr von Kraftstoff und zu einem Absinken der Motorleistung führen. Tauschen Sie den Kraftstofffilter mindestens alle 3 Monate aus, damit die Zufuhr von ausreichend Kraftstoff zum Vergaser sichergestellt ist.

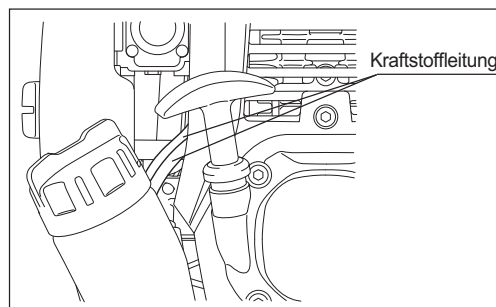


AUSTAUSCHEN DER KRAFTSTOFFLEITUNG

ACHTUNG: UMGANG MIT OFFENEN FLAMMEN STRENGSTENS VERBOTEN!

Intervall für Reinigung und Inspektion: Täglich (alle 10 Betriebsstunden)
Austausch: Jährlich (alle 200 Betriebsstunden)

Tauschen Sie die Kraftstoffleitung jedes Jahr aus, unabhängig von der Betriebsdauer. Kraftstofflecks können einen Brand verursachen. Falls Sie bei der Inspektion ein Leck entdecken, tauschen Sie die Kraftstoffleitung sofort aus.



INSPEKTION DER BOLZEN, MUTTERN UND SCHRAUBEN

- Ziehen Sie lose Bolzen, Muttern usw. wieder fest.
- Prüfen Sie auf Kraftstoff- und Öllecks.
- Tauschen Sie für einen sicheren Betrieb beschädigte Teile durch neue aus.

REINIGEN DER BAUTEILE

- Halten Sie den Motor stets sauber.
- Halten Sie die Zylinderrippen frei von Sand und Staub. An den Kühlrippen anhaftender Staub und Schmutz führt zu einem Kolbenfresser.

AUSTAUSCHEN DER DICHTUNGEN UND VERBINDUNGEN

Vergewissern Sie sich bei der Wiedermontage des Motors, dass Sie die Dichtungen und Dichtungsmassen durch neue ersetzen. Alle Wartungsarbeiten oder Einstellungen, die in diesem Handbuch nicht beschrieben wurden, müssen von einer autorisierten Servicewerkstatt durchgeführt werden.

AUFBEWAHRUNG

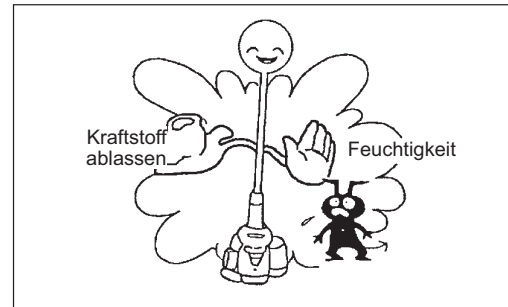


WARNUNG: Stellen Sie vor dem Ablassen des Kraftstoffs sicher, dass der Motor gestoppt ist und prüfen Sie, dass sich der Motor abgekühlt hat. Unmittelbar nach dem Stoppen des Motors ist dieser heiß und es besteht Verbrennungs-, Entzündungs- und Feuergefahr.



ACHTUNG: Wenn das Werkzeug für längere Zeit nicht betrieben wird, lassen Sie den gesamten Kraftstoff aus dem Tank und dem Vergaser ab, und lagern Sie das Werkzeug an einem trockenen und sauberen Ort.

- Gehen Sie zum Ablassen des Kraftstoffs aus dem Tank wie folgt vor:
 - 1) Entfernen Sie den Kraftstoff-Tankdeckel und lassen Sie den Kraftstoff vollständig ab.
Entfernen Sie ggf. im Kraftstofftank zurückbleibende Fremdkörper.
 - 2) Ziehen Sie den Kraftstofffilter mit einem Draht aus dem Nachfüllstutzen.
 - 3) Drücken Sie die Ansaugpumpe, bis der Kraftstoff von hier zurück in den Tank geleitet wird.
 - 4) Setzen Sie den Filter wieder in den Kraftstofftank ein und ziehen Sie den Tankdeckel sicher fest.
 - 5) Betreiben Sie das Werkzeug weiter bis es stoppt.
- Entfernen Sie die Zündkerze und geben Sie einige wenige Tropfen Öl in die Zündkerzenöffnung.
- Ziehen Sie anschließend den Startergriff leicht, sodass das Öl die Innenseite des Motors bedeckt und ziehen Sie dann die Zündkerze fest.
- Bei nicht montiertem Aufsatz den Spannhebel nicht spannen!
Der Hebel in der verriegelten Position ohne montierten Aufsatz verhindert, dass das Tragrohr des Aufsatzes befestigt werden kann.
- Halten Sie während der Lagerung das Rohr horizontal oder bewahren Sie die Maschine mit nach oben gerichtetem Werkzeug auf. (Achten Sie in diesem Fall vor allem darauf, dass das Werkzeug nicht umfällt.)
Lagern Sie das Werkzeug niemals mit nach unten gerichtetem Werkzeug auf.
Schmiermittel kann auslaufen.
- Bewahren Sie den abgelassenen Kraftstoff in einem Kanister, an einem gut belüfteten und schattigen Platz auf.



Achtung nach einer längeren Lagerung

- Tauschen Sie nach einer längeren Lagerung vor dem Start des Motors das Öl aus (siehe S. 59). Öl zersetzt sich, auch wenn das Werkzeug nicht verwendet wird.

Fehlerposition

Problem	System	Beobachtung	Ursache
Motor startet nicht oder mit Schwierigkeiten	Zündungssystem	Zündfunken OK	Fehler der Kraftstoffversorgung oder des Verdichtungssystems, mechanischer Defekt
		Kein Zündfunke	STOPP-Schalter betätigt, Verdrahtung fehlerhaft oder kurzgeschlossen, Zündkerze oder Zündkerzenstecker defekt, Zündmodul fehlerhaft
	Kraftstoffzufuhr	Kraftstofftank gefüllt	Falsche Choke-Position, Vergaser defekt, Kraftstoff-Zufuhrleitung geknickt oder blockiert, Kraftstoff verschmutzt
	Verdichtung	Keine Verdichtung beim Starten	Zylinderkopfdichtung defektiv, Kurbelwellendichtungen beschädigt, Zylinder oder Kolbenringe defekt oder ungeeignete Dichtung der Zündkerze
Warmstartprobleme	Mechanischer Fehler	Starter greift nicht ein	Gebrochene Starterfeder, gebrochene Teile innerhalb des Motors
		Tank gefüllt, Zündfunken vorhanden	Vergaser verschmutzt, wurde gereinigt
Motor startet, geht jedoch aus	Kraftstoffzufuhr	Tank gefüllt	Fehlerhafte Leerlaufeinstellung, Vergaser verschmutzt Kraftstoff-Tankventil defekt, Kraftstoff-Zufuhrleitung unterbrochen, Kabel oder STOPP-Schalter defekt
Unzureichende Leistung	Möglicherweise sind mehrere Systeme gleichzeitig betroffen	Motorleerlauf zu gering	Luftfilter verschmutzt, Vergaser verschmutzt, Schalldämpfer verstopft, Auslasskanal im Zylinder verstopft

Betriebsdauer		Vor Betrieb	Nach Schmierung	Taglich (10 h)	30 h	50 h	200 h	Abschalten / Pause	Siehe Seite
Motorenol	Inspizieren / Reinigen	○							55
	Austauschen					○*1			59
Festziehen von Teilen (Schraube, Mutter)	Inspizieren	○							61
Kraftstofftank	Reinigen / Inspizieren	○							—
	Kraftstoff ablassen							○*3	62
Gashebel	Funktion uberprufen		○						—
Stopschalter	Funktion uberprufen		○						58
Niederdrehzahl	Inspizieren / Einstellen			○					58
Luftreiniger	Reinigen			○					60
Zundkerze	Inspizieren			○					61
Kuhlluftkanal	Reinigen / Inspizieren			○					61
Kraftstoffleitung	Inspizieren			○					61
	Austauschen						⊙*2		—
Kraftstofffilter	Reinigen / Ersetzen					○			61
Abstand zwischen Lufteinlassventil und Luftauslassventil	Einstellen						⊙*2		—
Motoruberholung							⊙*2		—
Vergaser	Kraftstoff ablassen							○*3	62

*1 Fuhren Sie einen ersten Wechsel nach 20 Betriebsstunden durch.

*2 Wenden Sie sich fur eine Inspektion nach 200 Betriebsstunden an eine autorisierte Service-Werkstatt.

*3 Setzen Sie nach dem Leeren des Kraftstofftanks den Betrieb des Motors fort, bis der Vergaser leer gefahren ist.

Lesen Sie in den Bedienungsanleitungen fur die unterschiedlichen Aufsatze nach und fuhren Sie die Wartungsarbeiten entsprechend durch.

FEHLERSUCHE

Überprüfen Sie ein Problem selbst, bevor Sie eine Reparatur anfordern. Falls eine Abnormalität auftritt, regeln Sie das Werkzeug anhand der Beschreibung in diesem Handbuch. Missbrauchen Sie das Werkzeug nicht und demontieren Sie keine Teile entgegen der Beschreibung. Wenden Sie sich für Reparaturen an ein autorisiertes Servicezentrum oder einen Vertreter vor Ort.

Abnormalitätsstatus	Mögliche Ursache (Fehlfunktion)	Abhilfe
Motor startet nicht	Ausfall des Betriebs der Ansaugpumpe	Drücken Sie 7 bis 10 Mal
	Ziehgeschwindigkeit des Starterseils zu gering	Ziehen Sie kräftiger
	Kraftstoffmangel	Füllen Sie Kraftstoff auf
	Verstopfter Kraftstofffilter	Austausch des Filters
	Abgeknickte Kraftstoffleitung	Begradigen Sie die Kraftstoffleitung
	Zersetzter Kraftstoff	Zersetzter Kraftstoff erschwert das Starten. Ersetzen Sie diesen durch neuen. (Empfohlenes Austauschintervall: 1 Monat)
	Übermäßige Kraftstoffzufuhr	Drücken Sie den Gastaster vollständig, und ziehen den Startergriff, bis der Motor startet. Nach dem Start des Motors beginnt sich das Werkzeug zu bewegen. Achten Sie auf das Werkzeug! Falls der Motor nicht startet, entfernen Sie die Zündkerze, trocknen Sie die Elektrode ab und montieren Sie sie wieder wie vorher. Starten Sie wie angegeben.
	Entfernen des Zündkerzensteckers	Fest Anbringen
	Verschmutzter Zündkerzenstecker	Reinigen
	Abnormaler Abstand des Zündkerzensteckers	Einstellen des Abstandes
	Andere Abnormalität des Zündkerzensteckers	Austauschen
	Abnormaler Vergaser	Fordern Sie eine Inspektion und Wartung an.
	Starterseil kann nicht gezogen werden	Fordern Sie eine Inspektion und Wartung an.
Abnormales Antriebssystem	Fordern Sie eine Inspektion und Wartung an.	
Motor stoppt gleich Motordrehzahl erhöht sich nicht	Unzureichendes Aufwärmen	Führen Sie einen Aufwärmbetrieb durch
	Choke-Hebel ist auf GESCHLOSSEN eingestellt, obwohl der Motor vorgewärmt wurde.	Einstellen auf OFFEN
	Verstopfter Kraftstofffilter	Reinigen oder Ersetzen
	Verschmutzter oder verstopfter Luftfilter	Reinigen
	Abnormaler Vergaser	Fordern Sie eine Inspektion und Wartung an.
	Abnormales Antriebssystem	Fordern Sie eine Inspektion und Wartung an.
Werkzeug dreht oder bewegt sich nicht ↓ Motor stoppt sofort	Aufsatz nicht am angegebenen Punkt eingesetzt.	Wie angegeben einsetzen.
Abnormales Antriebssystem	Fordern Sie eine Inspektion und Wartung an.	
Hauptblock vibriert abnormal ↓ Motor stoppt sofort	Aufsatz nicht am angegebenen Punkt eingesetzt.	Wie angegeben einsetzen.
	Gelöster Hebel	Ziehen Sie die Schrauben fest.
	Abnormales Antriebssystem	Fordern Sie eine Inspektion und Wartung an.
Werkzeug stoppt nicht sofort ↓ Motor stoppt sofort	Hohe Leerlaufdrehzahl	Einstellen
	Abgetrenntes Gaskabel	Fest Anbringen
	Abnormales Antriebssystem	Fordern Sie eine Inspektion und Wartung an.
Motor stoppt nicht ↓ Betreiben des Motors im Leerlauf und Einstellen des Choke-Hebels auf GESCHLOSSEN	Abgetrennter Stecker	Fest Anbringen
	Abnormales Elektriksystem	Fordern Sie eine Inspektion und Wartung an.

Wenn der Motor nach dem Aufwärmen nicht startet:

Falls bei den überprüften Elementen keine Abnormalität auftritt, öffnen Sie den Gashebel um 1/3 und starten Sie den Motor.

Complimenti per l'acquisto del presente utensile multifunzione a benzina MAKITA. Siamo lieti di consigliare l'utensile multifunzione a benzina MAKITA, risultato di un lungo programma di sviluppo e di molti anni di esperienza e conoscenza.
















Si prega di leggere il presente opuscolo, contenente riferimenti dettagliati alle diverse operazioni che ne dimostreranno le eccellenti prestazioni. In questo modo sarà possibile ottenere i migliori risultati possibili dall'utensile multifunzione a benzina MAKITA.

**Sommario****Sommario**

Simboli.....	65
Istruzioni per la sicurezza.....	66
Dati tecnici.....	70
Accessori approvati.....	71
Denominazione dei componenti.....	72
Montaggio dell'impugnatura.....	73
Montaggio dell'accessorio.....	73
Smontaggio.....	74
Prima dell'avviamento.....	75
Gestione corretta dell'utensile.....	77
Informazioni utili sul funzionamento e sull'arresto.....	77
Istruzioni per la manutenzione.....	80
Stoccaggio.....	83

SIMBOLI

Nel manuale di istruzioni sono utilizzati i simboli riportati di seguito:

	Leggere il manuale di istruzioni e attenersi alle avvertenze e alle precauzioni per la sicurezza!		Indossare il casco di protezione e i dispositivi di protezione per occhi e orecchie!
	Prestare particolare cura e attenzione!		Carburante (benzina)
	Vietato!		Avviamento manuale del motore
	Vietato fumare!		Arresto di emergenza
	Divieto di fiamme libere!		Pronto soccorso
	Indossare guanti di protezione!		ACCENSIONE/AVVIAMENTO
	Indossare calzature pesanti con soles antiscivolo. Si consigliano scarpe di sicurezza con puntale in metallo!		SPEGNIMENTO/ARRESTO
	Allontanare persone e animali dall'area di lavoro!		

Uso previsto dell'utensile

Questo utensile multifunzione a benzina è progettato per l'utilizzo esclusivo con gli accessori approvati elencati in questo manuale. Non utilizzare la macchina per altri scopi.

ISTRUZIONI PER LA SICUREZZA

Istruzioni generali

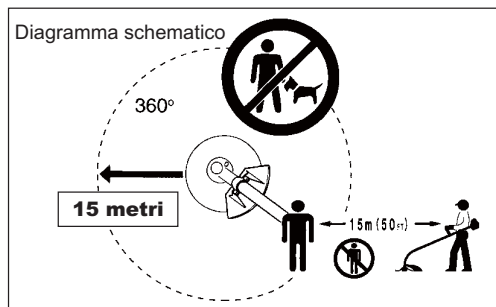
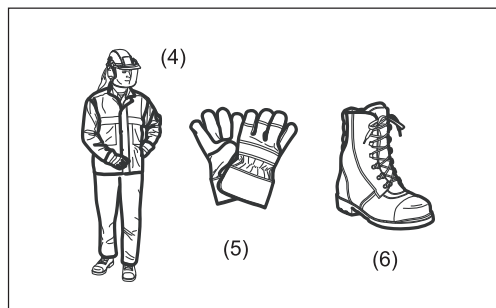
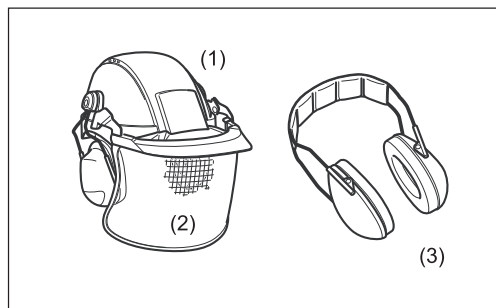
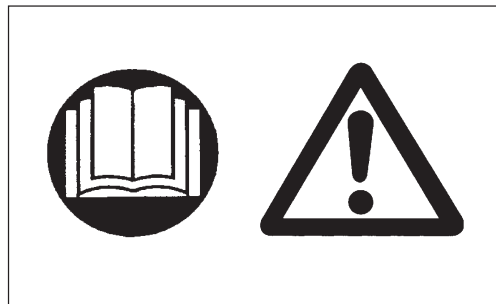
- Per garantire il corretto funzionamento dell'utensile, l'operatore è tenuto a leggere il presente manuale di istruzioni per acquisire dimestichezza con l'uso dell'utensile multifunzione a benzina. Gli operatori non informati possono mettere in pericolo se stessi e altre persone a seguito di un uso improprio.
- Si consiglia di concedere in prestito l'utensile multifunzione a benzina solo a persone che si sono rivelate esperte nell'uso di utensili multifunzione a benzina. Consegnare sempre anche il manuale di istruzioni.
- Gli operatori inesperti dovrebbero richiedere al rivenditore le istruzioni di base per familiarizzare con l'uso di un utensile da taglio a motore.
- L'utensile multifunzione a benzina non deve essere utilizzato da bambini e persone con meno di 18 anni. Le persone con almeno 16 anni compiuti possono tuttavia utilizzare l'utensile a fini di addestramento, sempre sotto la supervisione di un istruttore qualificato.
- Utilizzare gli utensili multifunzione a benzina con la massima cura e attenzione.
- Utilizzare l'utensile multifunzione a benzina solo se si è in buone condizioni fisiche. Eseguire tutto il lavoro con calma e attenzione. L'operatore deve assumersi la responsabilità delle altre persone.
- Non utilizzare l'utensile multifunzione a benzina dopo l'assunzione di alcol o farmaci, oppure se ci si sente stanchi o indisposti.
- Le normative nazionali possono imporre limiti all'uso dell'utensile.

Dispositivi di protezione personali

- L'abbigliamento deve essere funzionale e adeguato, vale a dire aderente ma non di ostacolo. Non indossare gioielli o abiti che possono rimanere impigliati in cespugli o arbusti.
- Per evitare infortuni a testa, occhi, mani o piedi e per proteggere l'udito è opportuno indossare l'abbigliamento protettivo e i dispositivi di protezione indicati di seguito durante l'uso dell'utensile multifunzione a benzina.
- Indossare sempre un casco se esiste il pericolo di caduta di oggetti. Il casco di protezione (1) deve essere controllato periodicamente per verificare la presenza di danni e deve essere sostituito al più tardi ogni 5 anni. Utilizzare solo caschi di protezione omologati.
- La visiera (2) del casco (o gli occhiali di protezione) protegge il volto da detriti e sassi scagliati. Per evitare danni alla vista è opportuno indossare sempre gli occhiali di protezione o una visiera durante l'uso dell'utensile multifunzione a benzina.
- Indossare dispositivi di protezione acustica adeguati per evitare danni all'udito (cuffie isolanti (3), tappi per le orecchie e così via).
- Le tute da lavoro (4) proteggono da sassi e detriti scagliati. È pertanto consigliabile che l'operatore indossi una tuta da lavoro.
- I guanti speciali (5) di cuoio pesante sono parte dell'equipaggiamento prescritto e devono sempre essere indossati durante l'uso dell'utensile multifunzione a benzina.
- Durante l'uso dell'utensile multifunzione a benzina, indossare sempre scarpe pesanti (6) con suola antiscivolo. Consentono la protezione dagli infortuni e garantiscono la corretta stabilità.

Avviamento dell'utensile multifunzione a benzina

- Assicurarsi che non vi siano bambini o altre persone nelle vicinanze; prestare attenzione anche alla presenza di animali.
- Verificare che l'accessorio sia montato correttamente, controllare che la leva di comando possa essere azionata facilmente e verificare il corretto funzionamento della sicura di accensione.
- L'accessorio non deve muoversi quando il motore è al minimo. In caso di dubbi, rivolgersi al rivenditore per la regolazione. Controllare che le impugnature siano pulite e asciutte, quindi verificare la funzionalità dell'interruttore di avviamento e arresto.

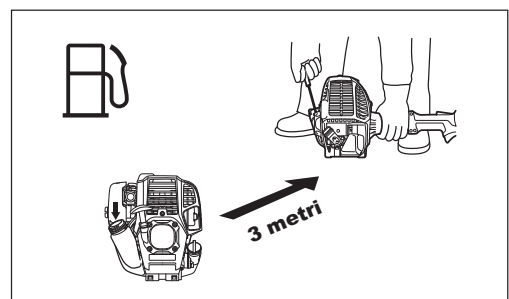
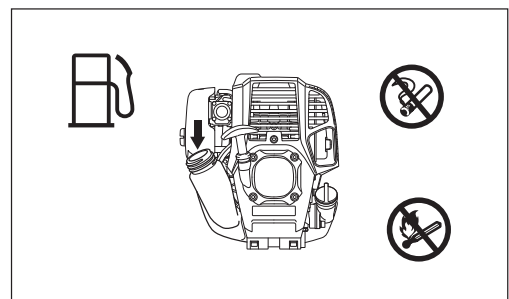
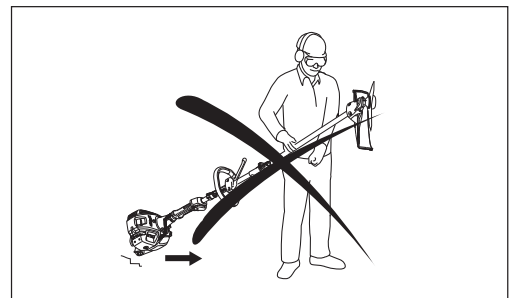
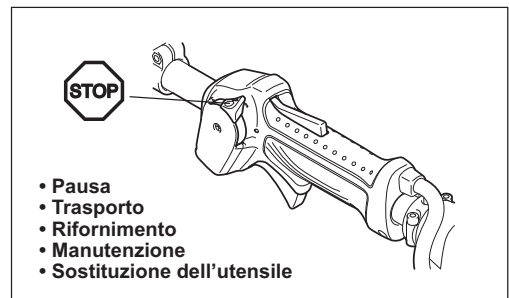
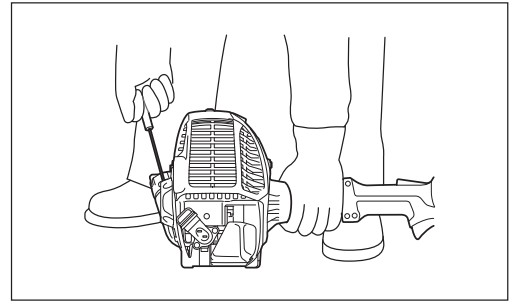


Avviare l'utensile multifunzione a benzina solo in conformità alle istruzioni.

- Non utilizzare altri metodi per avviare il motore!
- Utilizzare l'utensile multifunzione a benzina e gli utensili solo per le operazioni specificate.
- Avviare il motore dell'utensile multifunzione a benzina solo una volta completato il montaggio. Il funzionamento del dispositivo è consentito solo dopo il montaggio di tutti gli accessori appropriati!
- Prima dell'avviamento, assicurarsi che l'accessorio non sia a contatto con oggetti rigidi quali rami, pietre e così via, in quanto all'avvio si verificherà una rotazione dell'accessorio.
- Il motore deve essere spento immediatamente in caso di problemi del motore.
- Nel caso in cui l'accessorio colpisca pietre o altri oggetti rigidi, è necessario spegnere immediatamente il motore e ispezionare l'accessorio.
- Mettere in funzione l'utensile multifunzione a benzina solo dopo aver applicato la tracolla e dopo averne eseguito la regolazione. È fondamentale regolare la tracolla in base alla corporatura dell'operatore per prevenire l'affaticamento durante l'uso. Durante l'uso non tenere mai l'utensile con una mano sola.
- Durante l'uso tenere sempre l'utensile multifunzione a benzina con entrambe le mani.
- Assicurarsi sempre di avere un equilibrio stabile. Utilizzare l'utensile multifunzione a benzina in modo da evitare di inalare i gas di scarico. Non azionare mai il motore in ambienti chiusi (pericolo di avvelenamento da gas). Il monossido di carbonio è un gas inodore.
- Spegnerne sempre il motore durante le pause o se si lascia incustodito l'utensile multifunzione a benzina, riponendolo in un luogo sicuro per evitare pericoli per le altre persone e danni all'utensile.
- Non appoggiare mai l'utensile multifunzione a benzina caldo sull'erba secca o su altri materiali combustibili.
- Durante l'uso devono essere impiegati tutti i dispositivi di sicurezza e le protezioni forniti con l'utensile.
- Non mettere in funzione il motore se la marmitta è difettosa.
- Spegnerne il motore durante il trasporto.
- Per il trasporto su lunghe distanze utilizzare sempre la protezione dell'utensile in dotazione.
- Verificare la corretta posizione dell'utensile multifunzione a benzina durante il trasporto in auto, onde evitare perdite di carburante.
- Prima di trasportare l'utensile multifunzione a benzina, assicurarsi che il serbatoio del carburante sia vuoto.
- Durante lo scaricamento dell'utensile multifunzione a benzina da un autocarro, evitare di lasciar cadere a terra il motore onde evitare seri danni al serbatoio del carburante.
- Fatti salvi i casi di emergenza, non lasciar cadere e non gettare a terra l'utensile multifunzione a benzina, onde evitare di danneggiarlo seriamente.
- Per spostare l'utensile è necessario sollevarlo sempre completamente dal suolo. Il trascinarsi del serbatoio del carburante è molto pericoloso e può causare danni o perdite di carburante, con conseguente pericolo di incendio.
- Se l'utensile cade o subisce un impatto violento, verificarne le condizioni prima di proseguire il lavoro. Verificare che l'impianto di alimentazione del carburante sia privo di perdite e che i dispositivi di sicurezza funzionino correttamente. In caso di danni o dubbi, richiedere l'ispezione e la riparazione presso il nostro centro di assistenza autorizzato.

Rifornimento

- Durante il rifornimento spegnere il motore, tenersi lontani dalle fiamme libere e non fumare.
- Evitare il contatto dei prodotti a base di oli minerali con la cute. Non inalare i vapori del carburante. Indossare sempre i guanti di protezione durante il rifornimento. Sostituire e pulire l'abbigliamento protettivo a intervalli regolari.
- Prestare attenzione a non lasciar fuoriuscire il carburante e l'olio, onde evitare la contaminazione del terreno (protezione dell'ambiente). Pulire l'utensile multifunzione a benzina subito dopo un'eventuale fuoriuscita di carburante.
- Evitare il contatto del carburante con i capi di vestiario. Cambiarsi immediatamente in caso di contatto con il carburante (per evitare che gli abiti prendano fuoco).
- Controllare regolarmente il tappo del serbatoio del carburante per assicurarsi che sia correttamente serrato e che non perda.
- Serrare con cura il tappo del serbatoio del carburante. Cambiare luogo prima di avviare il motore (almeno 3 metri dal punto di rifornimento).
- Non effettuare il rifornimento in ambienti chiusi. I vapori del carburante si accumulano a livello del terreno (pericolo di esplosioni).
- Trasportare e conservare il carburante solo in contenitori omologati. Assicurarsi che il carburante riposto non sia accessibile ai bambini.

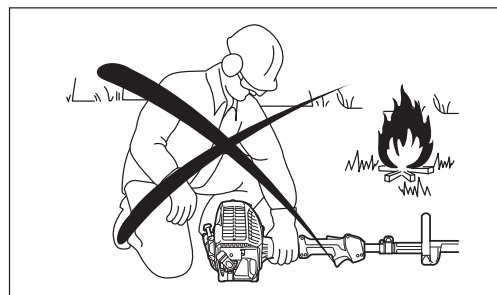


Modalità di funzionamento

- Utilizzare l'utensile multifunzione a benzina solo in condizioni di luce e visibilità idonee. Durante la stagione invernale prestare attenzione alle aree scivolose o umide, al ghiaccio e alla neve (pericolo di scivolamento). Verificare sempre di avere un buon equilibrio.
- Non sostare su una scala durante l'uso dell'utensile multifunzione a benzina.
- Non arrampicarsi sugli alberi per eseguire operazioni di taglio con l'utensile multifunzione a benzina.
- Non lavorare su superfici instabili.
- Prima dell'uso è necessario che l'accessorio abbia raggiunto la piena velocità operativa.
- Riposarsi spesso per evitare la perdita di controllo causata dall'affaticamento. Si consiglia di fare una pausa di 10-20 minuti ogni ora.

Istruzioni per la manutenzione

- Per l'assistenza, rivolgersi al nostro centro servizi autorizzato utilizzando solo parti di ricambio originali. Una riparazione errata o una manutenzione insufficiente possono accorciare la vita utile dell'utensile, aumentando il rischio di incidenti.
- Utilizzare l'utensile multifunzione a benzina limitando al minimo il rumore e la contaminazione. In particolare, verificare la corretta impostazione del carburatore.
- Pulire l'utensile multifunzione a benzina a intervalli regolari e controllare che tutte le viti e i dadi siano correttamente serrati.
- Non effettuare la manutenzione e non riporre l'utensile multifunzione a benzina nelle vicinanze di fiamme libere.
- Riporre sempre l'utensile multifunzione a benzina in ambienti chiusi e dopo aver svuotato il serbatoio del carburante.



Rispettare le istruzioni di prevenzione degli incidenti fornite dalle associazioni di categoria e dalle compagnie di assicurazioni. Non apportare cambiamenti all'utensile multifunzione a benzina, in quanto si potrebbe mettere a repentaglio la propria sicurezza.

Le attività di manutenzione o di riparazione a carico dell'operatore sono limitate a quelle descritte nel presente manuale di istruzioni. Qualsiasi altra operazione deve essere eseguita da un rappresentante autorizzato dell'assistenza. Utilizzare esclusivamente ricambi e accessori originali forniti da MAKITA.

L'uso di accessori o utensili non approvati può aumentare il pericolo di incidenti.

MAKITA declina qualsiasi responsabilità per danni o incidenti causati dall'uso di accessori e dispositivi di fissaggio non approvati.

Pronto soccorso

Assicurarsi che nelle vicinanze del luogo di lavoro sia disponibile una cassetta di pronto soccorso, necessaria qualora si verificano infortuni. Sostituire immediatamente qualunque articolo prelevato dalla cassetta di pronto soccorso.

Nel momento in cui si richiede assistenza è indispensabile fornire le seguenti informazioni:

- Luogo dell'incidente
- Che cosa è accaduto
- Numero di persone coinvolte
- Tipo di infortuni
- Nome e cognome



Vibrazione

- Se esposti a vibrazioni eccessive, gli operatori che soffrono di insufficienza venosa possono riportare danni ai vasi sanguigni o al sistema nervoso. Le vibrazioni possono causare i seguenti sintomi alle dita, alle mani o ai polsi: sonnolenza (torpore), formicolio, dolore, fitte acute, alterazione della pelle o del colorito. Consultare un medico non appena si manifestano tali sintomi.
- Per ridurre il rischio di "sindrome delle dita bianche da vibrazione", tenere le mani al caldo durante l'uso dell'utensile e mantenere l'utensile e gli accessori in buone condizioni.

DICHIARAZIONE DI CONFORMITÀ CE

Makita Corporation, in qualità di produttore responsabile, dichiara che le macchine Makita indicate di seguito:

Denominazione della macchina: Utensile multifunzione a benzina
N. modello / Tipo: EX2650LH
Caratteristiche tecniche: vedere la tabella "DATI TECNICI EX2650LH"
appartengono a una produzione in serie e sono

conformi alle seguenti direttive europee:

2000/14/EC, 2006/42/EC

Sono inoltre prodotte in conformità con gli standard o i documenti standardizzati riportati di seguito:

EN/ISO11806, EN709, EN/ISO10517, EN/ISO11680, EN/ISO12100

La documentazione tecnica viene conservata da:

Makita International Europe Ltd., Technical Department,
Michigan Drive, Tongwell,
Milton Keynes, Bucks MK15 8JD, Inghilterra

La procedura di valutazione della conformità richiesta dalla direttiva 2000/14/EC è stata effettuata secondo quanto specificato nell'allegato V.

EX2650LH con EM400MP (accessorio decespugliatore)

Livello di potenza sonora misurato: 108,5 dB (A)

Livello di potenza sonora garantito: 113 dB (A)

EX2650LH con EM401MP (accessorio decespugliatore)

Livello di potenza sonora misurato: 102,7 dB (A)

Livello di potenza sonora garantito: 105 dB (A)

EX2650LH con ER400MP (accessorio tagliabordi)

Livello di potenza sonora misurato: 109,2 dB (A)

Livello di potenza sonora garantito: 116 dB (A)

EX2650LH con EN400MP (accessorio tagliasiepi)

Livello di potenza sonora misurato: 103,8 dB (A)

Livello di potenza sonora garantito: 109 dB (A)

EX2650LH con EN400MP (accessorio tagliasiepi) e LE400MP (prolunga dell'albero)

Livello di potenza sonora misurato: 104,0 dB (A)

Livello di potenza sonora garantito: 106 dB (A)

Il numero dell'attestato di certificazione CE come sega telescopica con EY400MP, EY401MP, LE400MP è:

4811004.11016

L'attestato di certificazione CE ai sensi della direttiva 2006/42/EC è stato redatto da:

DEKRA Testing and Certification GmbH
Enderstraße 92b
01277 Dresden, Germania
N. di identificazione 2140

30. 1. 2012



Tomoyasu Kato
Direttore
Makita Corporation
3-11-8, Sumiyoshi-cho,
Anjo, Aichi, 446-8502, JAPAN

DATI TECNICI EX2650LH

Modello	EX2650LH	
	Impugnatura ad anello	
Dimensioni: lunghezza × larghezza × altezza (senza lama da taglio) con barriera	mm	975 × 323 × 241
Dimensioni: lunghezza × larghezza × altezza (senza lama da taglio) senza barriera	mm	975 × 242 × 241
Peso (senza protezione in plastica e lama da taglio)	kg	4,6
Volume (serbatoio del carburante)	l	0,6
Volume (serbatoio dell'olio)	l	0,08
Cilindrata del motore	cm ³	25,4
Prestazioni massime del motore	kW	0,77 a 7.000 min ⁻¹
Regime del motore alla velocità massima consigliata del mandrino	min ⁻¹	8.500
Velocità massima del mandrino (corrispondente)	min ⁻¹	6.500
Consumo massimo di carburante	kg/ora	0,33
Consumo massimo specifico di carburante	g/kWh	408
Velocità al minimo	min ⁻¹	3.000
Velocità di innesto della frizione	min ⁻¹	3.900
Carburatore	tipo	WALBRO WYL
Sistema di accensione	tipo	Accensione a stato solido
Candela	tipo	NGK CMR4A
Distanza tra gli elettrodi	mm	0,7 - 0,8
Carburante	Benzina per automobili	
Olio motore	Olio SAE 10W-30, classificazione API, Classe SF o superiore (motore a quattro tempi per automobili)	

Vibrazione

Accessorio	Impugnatura destra (impugnatura posteriore)		Impugnatura sinistra (impugnatura anteriore)		Standard applicabili
	a _{h_v eq} (m/s ²)	Variazione (K) (m/s ²)	a _{h_v eq} (m/s ²)	Variazione (K) (m/s ²)	
EM400MP	6,5	1,2	5,9	1,8	ISO 22867
EM401MP	5,6	2,1	4,8	1,0	ISO 22867
ER400MP	7,1	2,8	5,5	2,7	ISO 22867
EY400MP	9,4	2,0	4,2	2,0	ISO 22867
EY400MP + LE400MP	4,8	2,0	3,4	2,0	ISO 22867
EY401MP	6,5	2,0	3,8	2,0	ISO 22867
EY401MP + LE400MP	5,6	2,0	3,4	2,0	ISO 22867
EN400MP	8,4	1,8	5,0	0,7	ISO 10517
EN400MP + LE400MP	8,0	1,7	4,3	0,7	ISO 10517
KR400MP	5	1,1	4,4	2,3	ISO 22867
EJ400MP	7,1	1,5	4,9	1,5	ISO 22867
EJ400MP + LE400MP	6,4	0,6	4,0	0,7	ISO 22867

Rumorosità

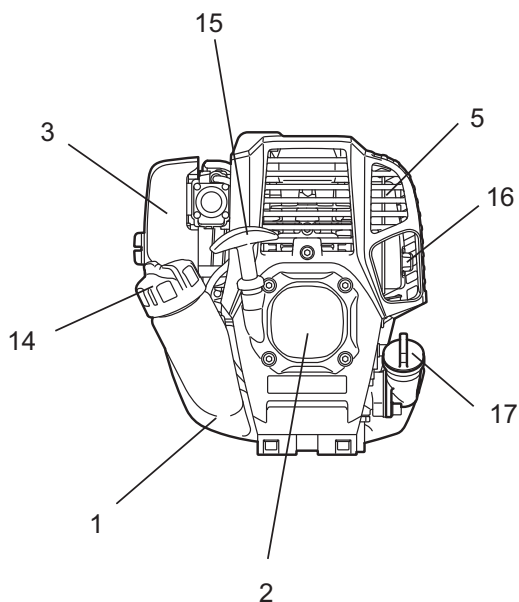
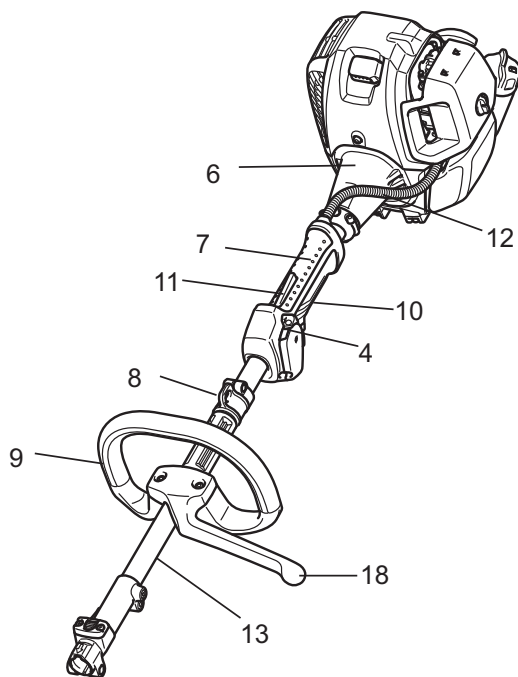
Accessorio	Livello di pressione sonora medio		Livello di potenza sonora medio		Standard applicabili
	L _{PA,eq}	Variazione (K)	L _{WA,eq}	Variazione (K)	
EM400MP	95,0	4,4	105,5	3,3	ISO 22868
EM401MP	89,9	3,6	99,7	2,7	ISO 22868
ER400MP	97,9	4,2	106,2	4,0	ISO 22868
EY400MP	93,0	2,5	104,5	2,5	ISO 22868
EY400MP + LE400MP	90,3	2,5	107,8	2,5	ISO 22868
EY401MP	92,6	2,5	104,7	2,5	ISO 22868
EY401MP + LE400MP	90,5	2,5	107,9	2,5	ISO 22868
EN400MP	93,1	4,4	102,9	4,8	ISO 10517
EN400MP + LE400MP	87,8	1,9	103,0	2,0	ISO 10517
KR400MP	93,7	2,6	99,7	1,2	ISO 22868
EJ400MP	89,0	2,3	99,8	1,1	ISO 22868
EJ400MP + LE400MP	88,1	2,2	100,8	2,3	ISO 22868

ACCESSORI APPROVATI

ACCESSORI	Modelli
Accessorio decespugliatore	EM400MP, EM401MP
Accessorio tagliabordi	ER400MP
Accessorio sega telescopica	EY400MP, EY401MP
Accessorio tagliasiepi	EN400MP
Accessorio sarchiatrice	KR400MP
Accessorio mietitrice per caffè	EJ400MP
Prolunga dell'albero	LE400MP

DENOMINAZIONE DEI COMPONENTI

EX2650LH



I	DENOMINAZIONE DEI COMPONENTI
1	Serbatoio del carburante
2	Avviamento con autoavvolgente
3	Filtro dell'aria
4	Interruttore I-O (on/off)
5	Marmitta
6	Telaio della frizione
7	Impugnatura posteriore
8	Gancio
9	Impugnatura
10	Leva dell'acceleratore
11	Sicura di accensione
12	Cavo di comando
13	Albero
14	Tappo del bocchettone di riempimento
15	Manopola di avviamento
16	Tubo di scarico
17	Tappo dell'olio
18	Barriera*

Nota: In alcuni paesi, la barriera non è fornita in dotazione con l'utensile.

MONTAGGIO DELL'IMPUGNATURA

ATTENZIONE: Prima di effettuare qualunque intervento sull'utensile multifunzione a benzina, spegnere il motore e staccare la candela.

Indossare sempre i guanti di protezione.

ATTENZIONE: Avviare l'utensile multifunzione a benzina solo dopo averlo montato interamente.

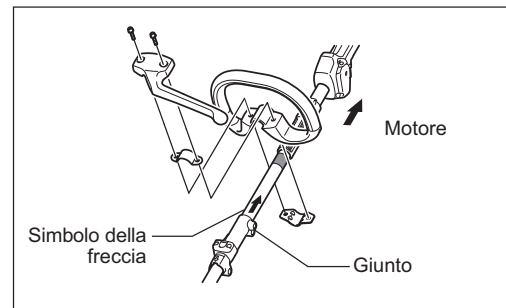


Montaggio dell'impugnatura ad anello

- Applicare saldamente la barriera e l'impugnatura all'albero con due viti e con le ganasce, quindi posizionare la barriera sul lato sinistro dell'apparecchio come illustrato in figura.
- Assicurarsi che il gruppo impugnatura/barriera si trovi tra il distanziatore e il simbolo della freccia. Non rimuovere o accorciare il distanziatore.
- Una volta montata, non rimuovere la barriera.

ATTENZIONE: Non installare l'impugnatura sull'etichetta o sul giunto.

Nota: In alcuni paesi, la barriera e il simbolo della freccia non sono forniti in dotazione con l'utensile.



MONTAGGIO DELL'ACCESSORIO

ATTENZIONE: Prima di effettuare qualunque intervento sull'utensile multifunzione a benzina, spegnere il motore e staccare la candela.

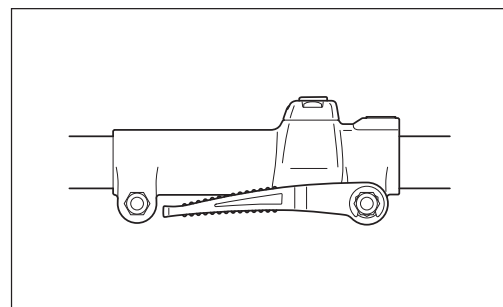
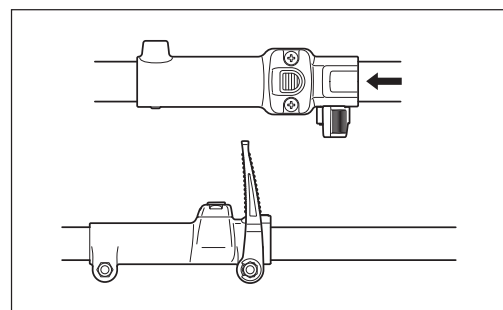
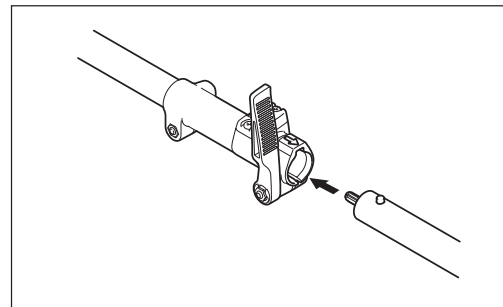
Indossare sempre i guanti di protezione.

ATTENZIONE: Avviare l'utensile multifunzione a benzina solo dopo averlo montato interamente.



Montaggio

- Allentare la leva.
- Allineare il perno dell'accessorio alla scanalatura della giunzione, quindi inserire il perno.
- Inserire l'accessorio fino alla posizione indicata dalla freccia. Verificare quindi che il pulsante si sia sollevato.
- Serrare la leva.
(Fare riferimento al diagramma a destra per una guida.)

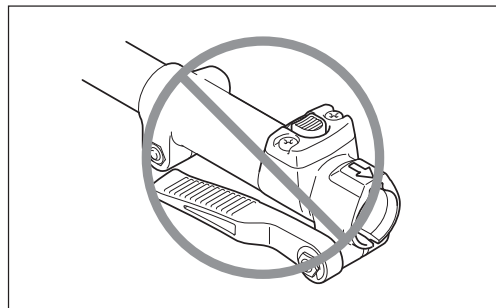
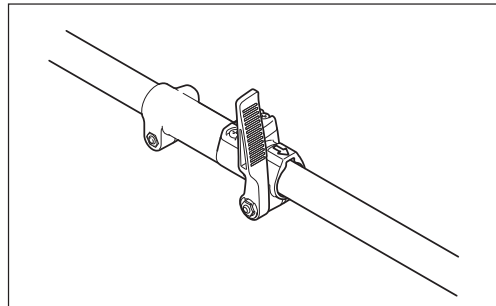


SMONTAGGIO

- Allentare la leva.
- Premere il pulsante ed estrarre l'accessorio.
(Cercare, nei limiti del possibile, di estrarre l'accessorio in linea retta.)

Nota:

- Non mantenere la leva serrata quando l'accessorio non è montato.



PRIMA DELL'AVVIAMENTO

Ispezione e rabbocco dell'olio motore

- Effettuare la seguente procedura a motore freddo.
- Posizionare il motore in piano, rimuovere il tappo dell'olio (Fig. 1) e verificare che il livello dell'olio sia compreso tra i limiti superiore e inferiore del tubo dell'olio (Fig. 2).
- Rabboccare l'olio fino all'indicatore di limite superiore, se l'olio è insufficiente (vicino all'indicatore di limite inferiore) (Fig. 3).
- L'area che circonda i contrassegni esterni è trasparente, pertanto è possibile controllare il livello dell'olio senza dover rimuovere il tappo. Tuttavia, se il tubo dell'olio è particolarmente sporco, la visibilità potrebbe essere compromessa; in questo caso occorre controllare il livello dell'olio utilizzando la sezione a gradini all'interno del tubo.
- Il tempo indicativo di rabbocco dell'olio è pari a circa 10 ore (ogni 10 rifornimenti).
Sostituire l'olio se cambia colore o viene a contatto con della sporcizia. (Per informazioni sull'intervallo e sul metodo di sostituzione, vedere a pag. 80.)

Olio consigliato: Olio SAE 10W-30, classificazione API, classe SF o superiore (motore a quattro tempi per automobili)

Volume dell'olio: Circa 0,08 l

Nota: Se il motore non è in posizione verticale, è possibile che l'olio entri in circolo nel motore e che il rabbocco effettuato sia eccessivo. Se l'olio viene rabboccato oltre il limite possono verificarsi contaminazioni o incendi che producono fumo bianco.

Punto 1 della sostituzione dell'olio - "Tappo dell'olio"

- Rimuovere la polvere e la sporcizia in prossimità del bocchettone di rifornimento dell'olio, quindi rimuovere il tappo dell'olio.
- Evitare il contatto del tappo dell'olio con sabbia o polvere. In caso contrario, la sabbia o la polvere che hanno aderito al tappo possono provocare una circolazione irregolare dell'olio o determinare l'usura delle parti del motore, con conseguenti problemi.

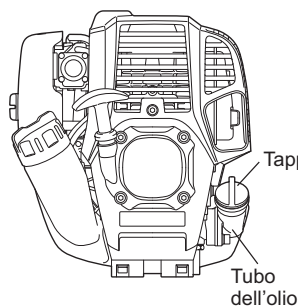


Fig. 1

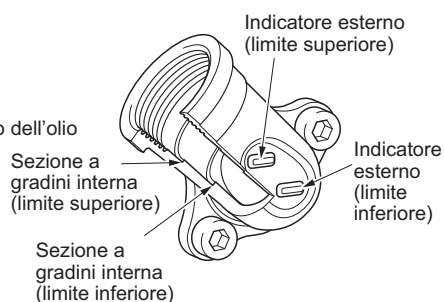


Fig. 2 Tubo dell'olio

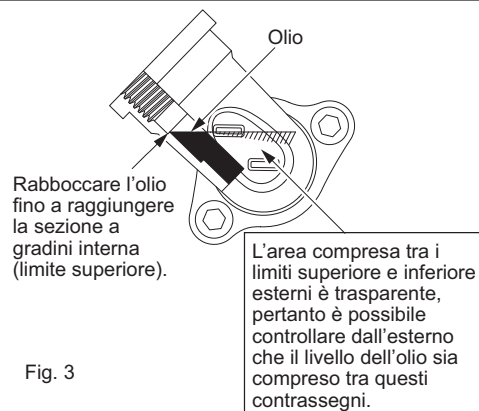
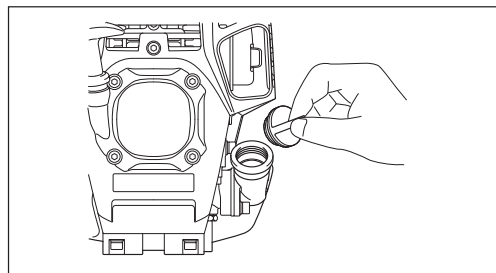
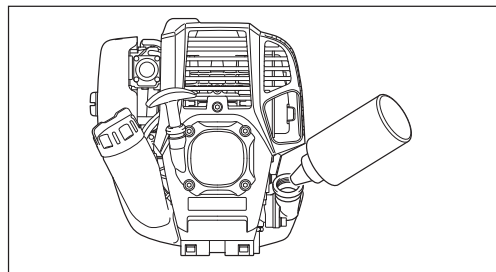


Fig. 3

- (1) Mantenere il motore in piano e rimuovere il tappo dell'olio.



- (2) Rabboccare con olio fino all'indicatore di limite superiore. (Vedere la Fig. 3.)
Utilizzare un flacone d'olio per il rifornimento.



- (3) Serrare il tappo dell'olio. Un serraggio insufficiente può causare perdite d'olio.

Nota

- Non sostituire l'olio se il motore è in posizione inclinata.
- Il rabbocco effettuato con il motore inclinato può portare a un eccessivo riempimento, causando la contaminazione dell'olio e/o la produzione di fumo bianco.

Punto 2 della sostituzione dell'olio - "Fuoriuscite d'olio"

- Se dovesse fuoriuscire e penetrare tra il serbatoio del carburante e il gruppo principale del motore, l'olio verrebbe aspirato dall'apertura di aspirazione dell'aria di raffreddamento, contaminando il motore. Pulire eventuali fuoriuscite d'olio prima di mettere in funzione l'utensile.

RIFORNIMENTO

Gestione del carburante

È necessario trattare sempre il carburante con la massima attenzione. Il carburante può contenere sostanze simili ai solventi. Il rifornimento deve avvenire in un ambiente ben aerato o all'aria aperta. Non inalare i vapori e mantenere il carburante a distanza dal proprio corpo. Un contatto ripetuto o prolungato con il carburante può seccare la pelle, provocando fastidi o allergie. Qualora il carburante entri a contatto con gli occhi, lavare gli occhi con acqua fresca. Se l'irritazione oculare persiste, consultare un medico.

Periodo di conservazione del carburante

Il carburante deve essere utilizzato entro 4 settimane, anche se viene conservato in contenitori appositi e in ambienti ben ventilati e in ombra. Se non viene utilizzato un contenitore apposito o se il contenitore non è coperto, il carburante può deteriorarsi in un giorno.

CONSERVAZIONE DELL'UTENSILE E RIFORNIMENTO DEL SERBATOIO

- Conservare l'utensile e il serbatoio in un luogo fresco e non esposto alla luce diretta del sole.
- Non conservare il carburante nella cabina o nel bagagliaio.

Carburante

Il motore dell'utensile è a quattro tempi. Utilizzare benzina per automobili (normale o potenziata).

Informazioni utili sul carburante

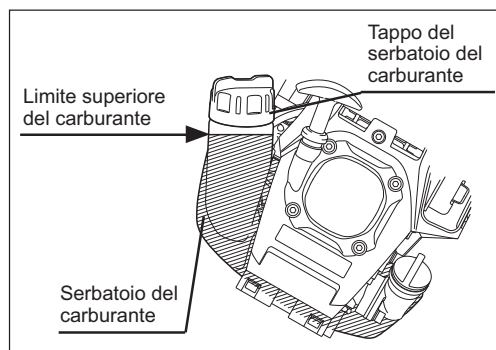
- Non utilizzare una miscela di benzina e olio motore. In caso contrario potrebbe verificarsi un accumulo eccessivo di carbonio con conseguenti problemi meccanici.
- L'uso di olio deteriorato può causare un avviamento irregolare.

Rifornimento

AVVERTENZA: DIVIETO DI UTILIZZO DI INFIAMMABILI

Benzina utilizzata: Benzina per automobili (senza piombo)

- Allentare leggermente il tappo del serbatoio per riequilibrare la pressione atmosferica.
- Rimuovere il tappo del serbatoio ed effettuare il rifornimento, scaricando l'aria con un'inclinazione del serbatoio del carburante tale da consentire che il bocchettone sia rivolto verso l'alto. (Non rabboccare carburante fino a raggiungere il bocchettone di rifornimento dell'olio.)
- Pulire bene l'area circostante al tappo del serbatoio per evitare la penetrazione di corpi estranei nel serbatoio del carburante.
- Serrare il tappo del serbatoio una volta completato il rifornimento.
- Se il tappo del serbatoio presenta danni o difetti è necessario sostituirlo.
- Il tappo del serbatoio è un materiale di consumo, pertanto deve essere sostituito ogni due o tre anni.



GESTIONE CORRETTA DELL'UTENSILE

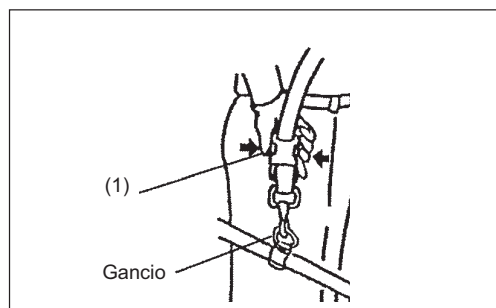
Fissaggio della tracolla

- Regolare la tracolla alla lunghezza ideale per l'utilizzo previsto.

Sganciamento

- In caso di emergenza, premere in corrispondenza delle tacche (1) su entrambi i lati per sganciare l'utensile dalla tracolla.
Durante questa operazione è fondamentale mantenere il controllo dell'utensile. Impedire che l'utensile venga deviato verso l'operatore o altre persone nelle vicinanze.

AVVERTENZA: La perdita completa del controllo dell'utensile potrebbe essere causa di gravi infortuni o di morte.



INFORMAZIONI UTILI SUL FUNZIONAMENTO E SULL'ARRESTO

Rispettare le normative vigenti per la prevenzione degli infortuni.

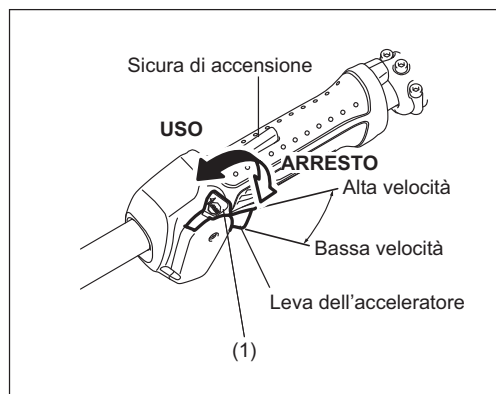


AVVIAMENTO

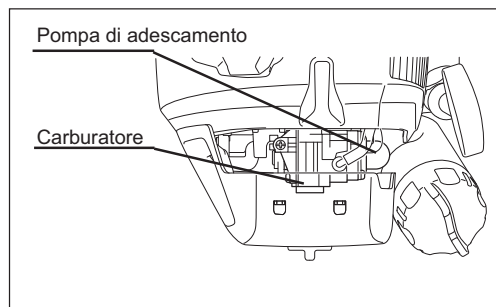
Allontanarsi di almeno 3 metri dal luogo del rifornimento. Appoggiare l'utensile multifunzione a benzina su una zona di terreno libera, avendo cura che l'accessorio non venga a contatto con il terreno o con qualunque altro oggetto.

A: Avviamento a freddo

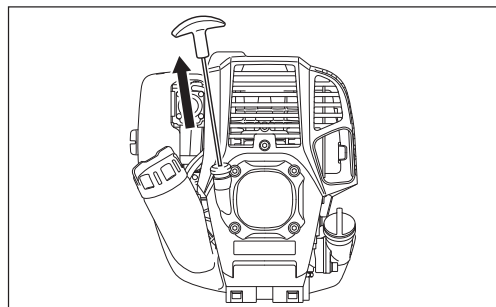
- 1) Appoggiare l'utensile su una zona in pianura.
- 2) Portare l'interruttore I-O (1) nella posizione di USO.



- 3) Pompa di adescamento
 Continuare a premere la pompa di adescamento fin quando il carburante non affluisce nella pompa.
 (In generale, il carburante entra nella pompa di adescamento dopo 7-10 pressioni.)
 Se la pompa di adescamento viene premuta eccessivamente, l'eccesso di benzina ritorna nel serbatoio del carburante.



- 4) Starter manuale
 Tirare lentamente la manopola di avviamento fino al punto di compressione (la manopola diventa difficile da tirare). A questo punto, riportare la manopola nella posizione iniziale e tirarla con forza.
 Evitare di tirare completamente la corda. Una volta tirata la manopola di avviamento, non togliere immediatamente la mano. Accompagnare la manopola di avviamento finché non ritorna nella posizione originale.
- 5) Operazione di riscaldamento
 Continuare l'operazione di riscaldamento per 2 o 3 minuti.



Nota: In caso di eccessiva aspirazione del carburante, staccare la candela e tirare lentamente l'impugnatura di avviamento per rimuovere il carburante in eccesso. Asciugare quindi la sezione degli elettrodi della candela.

Attenzioni durante l'uso:

Se la leva dell'acceleratore è completamente aperta durante il funzionamento a vuoto, la rotazione del motore aumenta a 10.000 min⁻¹ e oltre. Non utilizzare il motore a una velocità superiore a quella necessaria, mantenendo il regime approssimativo di 6.000 - 8.500 min⁻¹.

B: Avviamento dopo l'operazione di riscaldamento

- 1) Premere più volte la pompa di adescamento.
- 2) Mantenere la leva dell'acceleratore nella posizione di folle.
- 3) Tirare con forza lo starter manuale.
- 4) Se l'avviamento del motore risulta difficoltoso, aprire l'acceleratore di circa 1/3. Prestare attenzione all'accessorio, che potrebbe ruotare.

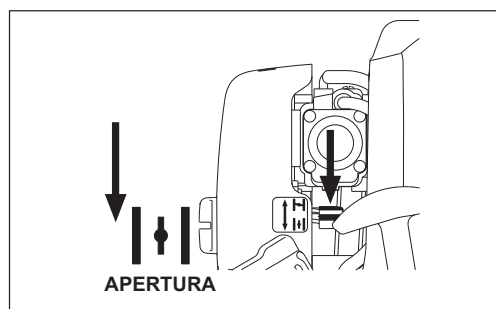
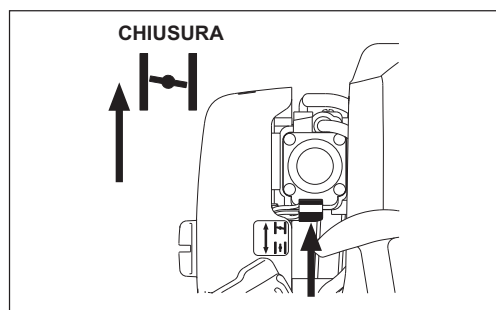
Se l'avviamento del motore è difficoltoso, ad esempio in inverno

Azionare la leva del dispositivo di avviamento con la seguente procedura durante l'avviamento del motore.

- Dopo aver svolto i passaggi da 1) a 3), portare la leva del dispositivo di avviamento nella posizione di chiusura.
- Eseguire il passaggio 4) e avviare il motore.
- Una volta avviato il motore, portare la leva del dispositivo di avviamento nella posizione di apertura.
- Eseguire il passaggio 5) e completare il riscaldamento.

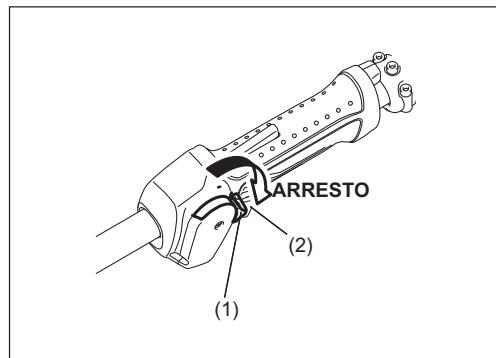
ATTENZIONE: Se l'utensile produce un suono di esplosione e il motore si ferma, oppure se il motore appena avviato entra in stallo prima che venga azionata la leva del dispositivo di avviamento, riportare tale leva nella posizione di apertura e tirare la manopola di avviamento alcune volte per avviare il motore.

ATTENZIONE: Se la leva del dispositivo di avviamento rimane nella posizione di chiusura e la manopola di avviamento viene tirata ripetutamente, è possibile che venga aspirato troppo carburante e che il motore risulti difficile da avviare.



ARRESTO

- 1) Rilasciare completamente la leva dell'acceleratore (2) e, una volta ridotto il regime del motore, portare l'interruttore I-O nella posizione di arresto. Il motore si spegne.
- 2) Occorre ricordare che l'accessorio potrebbe non fermarsi immediatamente; è necessario attendere che rallenti del tutto.

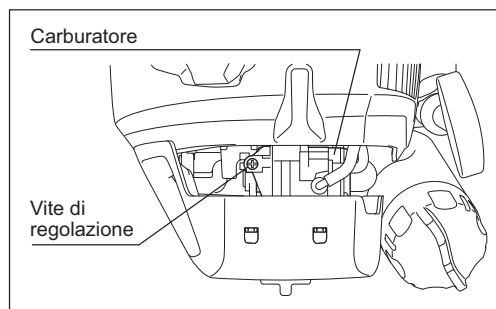


REGOLAZIONE DELLA ROTAZIONE A BASSA VELOCITÀ (MINIMO)

Se fosse necessario regolare la rotazione a bassa velocità (minimo), effettuare la modifica utilizzando la vite di regolazione del carburatore.

CONTROLLO DELLA ROTAZIONE A BASSA VELOCITÀ

- Impostare la rotazione a bassa velocità su 3.000 min^{-1} .
Se è necessario cambiare la velocità di rotazione, operare sulla vite di regolazione (figura a destra) con un cacciavite a stella.
- Ruotare la vite di regolazione a destra per aumentare la rotazione del motore.
Ruotare la vite di regolazione a sinistra per diminuire la rotazione del motore.
- Il carburatore viene generalmente regolato prima della spedizione. Se fosse necessario regolarlo di nuovo è opportuno contattare un rappresentante autorizzato dell'assistenza.



ISTRUZIONI PER LA MANUTENZIONE

ATTENZIONE: Prima di effettuare qualunque intervento sull'utensile multifunzione a benzina, spegnere il motore e staccare la candela (vedere "Controllo della candela").

Indossare sempre i guanti di protezione!

Evitare assolutamente di usare benzina, diluenti, solventi, alcol o sostanze simili.

In caso contrario, potrebbero verificarsi scoloriture, deformazioni o incrinature.

Per garantire una vita utile prolungata ed evitare danni all'utensile, è opportuno effettuare periodicamente le seguenti operazioni di manutenzione.

Controllo e manutenzione giornalieri

- Prima dell'uso, controllare l'utensile alla ricerca di viti allentate o parti mancanti. Prestare particolare attenzione al montaggio degli accessori.
- Prima dell'uso, controllare che il passaggio dell'aria di raffreddamento e le alette del cilindro non siano ostruiti. Procedere alla pulizia, se necessario.
- Dopo l'uso quotidiano è necessario effettuare le seguenti operazioni:
 - Pulire esternamente l'utensile multifunzione a benzina e verificare la presenza di danni.
 - Pulire il filtro dell'aria. Se il lavoro avviene in ambienti particolarmente polverosi il filtro deve essere pulito più volte al giorno.
 - Controllare che vi sia una differenza sufficiente fra il minimo e la velocità di lavoro, in modo che l'accessorio rimanga fermo quando il motore è al minimo (se necessario è possibile ridurre la velocità al minimo).
Se l'utensile continua a funzionare anche al minimo, è opportuno rivolgersi al rappresentante autorizzato dell'assistenza di zona.
- Controllare il funzionamento dell'interruttore I-O, della sicura di accensione e della leva di comando.

SOSTITUZIONE DELL'OLIO MOTORE

L'olio motore deteriorato riduce notevolmente la durata delle parti scorrevoli e rotanti. Controllare quindi il periodo e la quantità della sostituzione.



ATTENZIONE: In generale, il gruppo principale del motore e l'olio motore rimangono caldi dopo l'arresto del motore. Prima di sostituire l'olio, verificare che il gruppo principale del motore e l'olio motore si siano raffreddati. Diversamente, è possibile procurarsi ustioni.

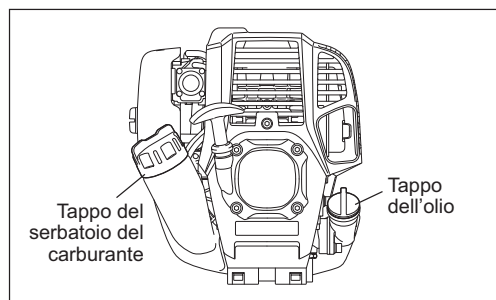
Nota: Se l'olio supera il limite possono verificarsi contaminazioni o incendi che producono fumo bianco.

Intervallo di sostituzione: Inizialmente ogni 20 ore di funzionamento, successivamente ogni 50 ore di funzionamento

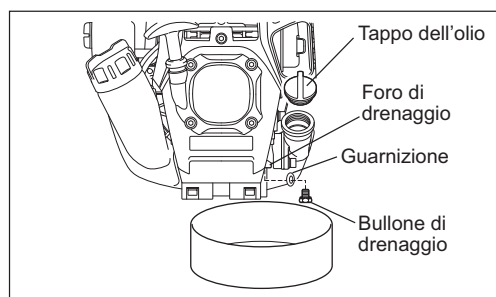
Olio consigliato: Olio SAE 10W-30, classificazione API, classe SF o superiore (motore a quattro tempi per automobili)

Per la sostituzione attenersi alla seguente procedura.

- 1) Verificare che il tappo del serbatoio del carburante sia serrato.
- 2) Posizionare un grande contenitore sotto il foro di drenaggio.

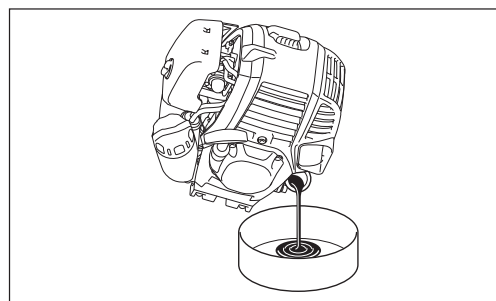


- 3) Rimuovere il bullone di drenaggio, quindi rimuovere il tappo dell'olio per scaricare l'olio dal foro di drenaggio. Durante questa operazione è importante non smarrire la guarnizione del bullone di drenaggio e non sporcare i componenti rimossi.
- 4) Una volta drenato tutto l'olio, applicare la guarnizione al bullone di drenaggio e serrare quest'ultimo, in modo che non si allenti causando perdite.
* Utilizzare un panno per rimuovere con cura l'olio che ha aderito al bullone e agli utensili.

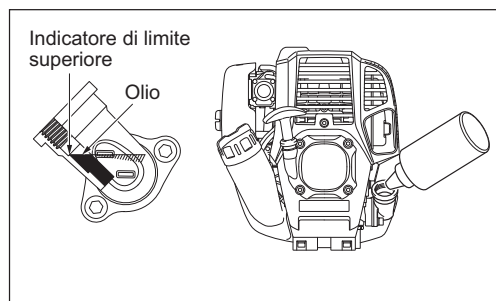
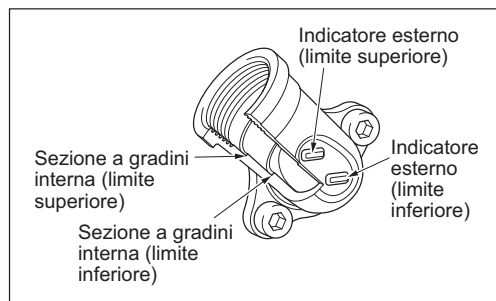


Metodo di drenaggio alternativo

Rimuovere il tappo dell'olio, inclinare l'utensile multifunzione a benzina verso il foro di rabbocco e drenare l'olio. Raccogliere l'olio in un contenitore.



- 5) Posizionare il motore in piano e rabboccare gradatamente l'olio fino all'indicatore di limite superiore.
- 6) Una volta completato il rifornimento, serrare il tappo dell'olio in modo che non si allenti provocando perdite.
Se il tappo dell'olio non è ben avvitato potrebbe perdere.



INFORMAZIONI UTILI SULL'OLIO

- Non gettare l'olio motore sostituito nella spazzatura, nel terreno o nei tombini. Lo smaltimento dell'olio è regolamentato dalle leggi. Per lo smaltimento attenersi sempre a leggi e regolamenti in vigore. Per qualsiasi informazione rivolgersi al rappresentante autorizzato dell'assistenza.
- L'olio si deteriora anche se resta inutilizzato. Eseguire l'ispezione e la sostituzione a intervalli regolari (sostituire l'olio ogni sei mesi).

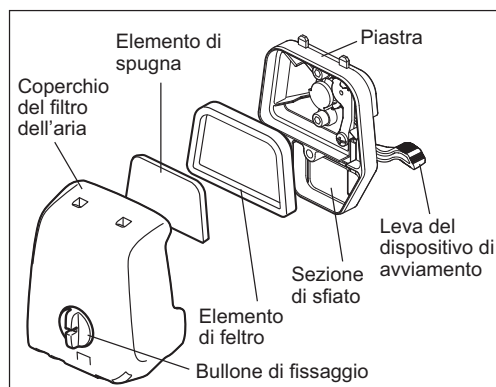
PULIZIA DEL FILTRO DELL'ARIA



PERICOLO: DIVIETO DI UTILIZZO DI INFIAMMABILI

Intervallo di pulizia e ispezione: Quotidiana (ogni 10 ore di funzionamento)

- Ruotare la leva del dispositivo di avviamento in modo che sia completamente chiusa e tenere il carburatore lontano da polvere e sporcizia.
- Allentare i bulloni di fissaggio.
- Rimuovere il coperchio del filtro dell'aria spingendo sul lato inferiore.
- Rimuovere gli elementi e batterli delicatamente per eliminare la sporcizia.
- Se gli elementi sono fortemente contaminati:
Rimuovere gli elementi, immergerli in acqua calda o in un detergente neutro diluito con acqua e lasciarli asciugare completamente. Non strizzarli o strofinarli durante il lavaggio.
- Lasciare asciugare completamente gli elementi prima di rimontarli.
Un'asciugatura insufficiente degli elementi può influire sul corretto avviamento del motore.
- Utilizzare un panno usa e getta per rimuovere l'eventuale olio presente sul coperchio del filtro dell'aria e sulla sezione di sfiato.
- Montare l'elemento di spugna nell'elemento di feltro.
Inserire gli elementi nella piastra in modo che la spugna sia rivolta verso il coperchio del filtro dell'aria.
- Subito dopo la pulizia, montare il coperchio del filtro e serrarlo con i bulloni di fissaggio. (Durante il rimontaggio è necessario inserire prima la piastra superiore e poi quella inferiore.)



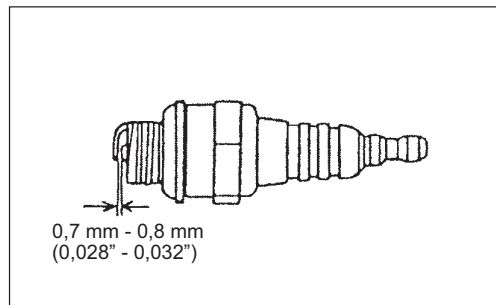
AVVISO:

- Pulire gli elementi più volte al giorno se la polvere che vi aderisce è eccessiva. Gli elementi sporchi riducono la potenza del motore e ne rendono difficile l'avviamento.
- Rimuovere l'olio presente sugli elementi. Se si continua a utilizzare gli elementi senza rimuovere l'olio in eccesso, l'olio all'interno del filtro dell'aria potrebbe fuoriuscire, contaminando l'ambiente.
- Non appoggiare gli elementi al suolo o in luoghi sporchi per evitare che raccolgano detriti o sporcizia, danneggiando il motore.
- Non pulire gli elementi con la benzina per non correre il rischio di danneggiarli.

CONTROLLO DELLA CANDELA

- Utilizzare esclusivamente la chiave universale in dotazione per rimuovere o montare la candela.
- La distanza tra i due elettrodi della candela deve essere compresa tra 0,7 e 0,8 mm. Se la distanza è superiore o inferiore a questo intervallo è necessario regolargli. Se la candela è ostruita o contaminata occorre pulirla accuratamente o sostituirla.

ATTENZIONE: Non toccare mai il connettore della candela mentre il motore è acceso (pericolo di folgorazione da alta tensione).



PULIZIA DEL FILTRO DEL CARBURANTE

AVVERTENZA: DIVIETO DI UTILIZZO DI INFIAMMABILI

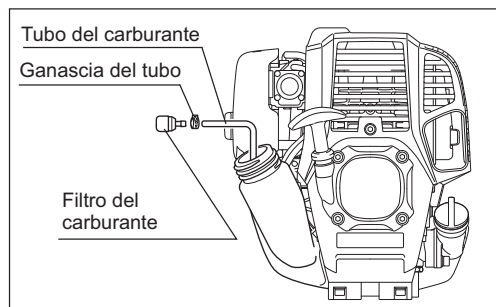
Intervallo di pulizia e ispezione: Mensile (ogni 50 ore di funzionamento)

Testina di aspirazione nel serbatoio del carburante

Effettuare ispezioni periodiche del filtro del carburante attenendosi alla seguente procedura.

- (1) Rimuovere il tappo del serbatoio e svuotare il carburante. Ispezionare l'interno del serbatoio e rimuovere eventuali corpi estranei.
- (2) Servendosi di un gancio metallico, estrarre la testina di aspirazione attraverso l'apertura.
- (3) Se il filtro del carburante è leggermente ostruito, procedere alla pulizia agitandolo e battendolo delicatamente nella benzina. Per evitare di danneggiarlo, non strizzare o strofinare il filtro. La benzina usata per la pulizia deve essere smaltita in accordo alle legislazioni vigenti nel proprio paese.
Sostituire i filtri del carburante induriti o pesantemente ostruiti.
- (4) Dopo l'ispezione, la pulizia o la sostituzione, spingere il filtro del carburante a fondo nel serbatoio.

I filtri ostruiti o danneggiati possono causare un afflusso insufficiente di carburante al motore, riducendone la potenza. Sostituire il filtro del carburante con una frequenza almeno trimestrale, in modo da garantire un'erogazione costante di carburante al carburatore.



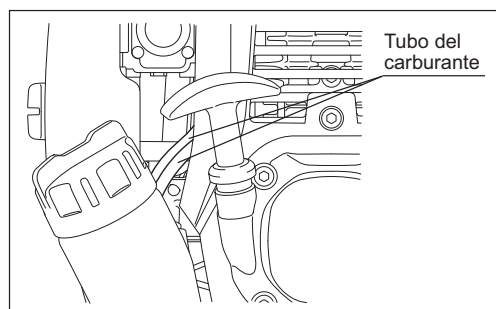
SOSTITUZIONE DEL TUBO DEL CARBURANTE

ATTENZIONE: DIVIETO DI UTILIZZO DI INFIAMMABILI

Intervallo di pulizia e ispezione: Quotidiana (ogni 10 ore di funzionamento)

Sostituzione: Annuale (ogni 200 ore di funzionamento)

Sostituire il tubo del carburante una volta l'anno, indipendentemente dalla frequenza di utilizzo. Le perdite di carburante possono dare luogo a incendi. Se vengono rilevate perdite durante l'ispezione, sostituire immediatamente il tubo del carburante.



ISPEZIONE DI BULLONI, DADI E VITI

- Serrare bulloni, dadi, viti allentati, ecc.
- Verificare se vi sono perdite di carburante e olio.
- Sostituire le parti danneggiati per garantire la sicurezza.

PULIZIA DEI COMPONENTI

- Il motore deve essere mantenuto sempre pulito.
- Rimuovere costantemente la polvere e la sporcizia dalle alette del cilindro. La polvere o la sporcizia che aderisce alle alette può causare il grippaggio del pistone.

SOSTITUZIONE DELLE GUARNIZIONI

Sostituire le guarnizioni ogni volta che si smonta e rimonta il motore.

Qualunque attività di manutenzione o di regolazione non descritta nel presente manuale deve essere affidata ai rappresentanti autorizzati dell'assistenza.

STOCCAGGIO

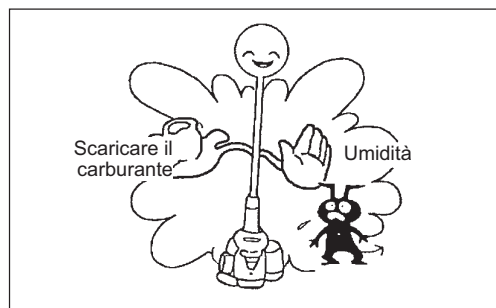


AVVERTENZA: Prima di scaricare il carburante assicurarsi che il motore sia spento e freddo. Subito dopo lo spegnimento il motore potrebbe risultare caldo e causare ustioni o incendi.



ATTENZIONE: Se l'utensile non deve essere utilizzato per un periodo prolungato, scaricare tutto il carburante dal serbatoio e dal carburatore e conservare l'utensile in un ambiente pulito e asciutto.

- Drenare il carburante dal serbatoio e dal carburatore attenendosi alla procedura riportata di seguito:
 - 1) Rimuovere il tappo del serbatoio del carburante e drenare completamente il carburante.
Rimuovere eventuali corpi estranei rimasti nel serbatoio del carburante.
 - 2) Estrarre il filtro del carburante dall'apertura per il rifornimento utilizzando un gancio metallico.
 - 3) Premere la pompa di adescamento fino a drenare il carburante trasferendolo nel serbatoio.
 - 4) Rimontare il filtro nel serbatoio del carburante e serrare il relativo tappo.
 - 5) Lasciare il motore in funzione fino all'arresto.
- Staccare la candela e lasciar cadere diverse gocce di olio motore nel foro della candela.
- Tirare delicatamente l'impugnatura di avviamento per far circolare l'olio nel motore, quindi inserire la candela.
- Non portare la leva nella posizione di bloccaggio se non è stato montato l'accessorio.
La posizione di bloccaggio della leva in mancanza dell'accessorio non consente il montaggio dell'albero dell'accessorio.
- Conservare l'asta in orizzontale o l'utensile in verticale con il lato di giunzione rivolto verso l'alto. (In questo caso, prestare attenzione affinché l'utensile non cada.)
Non conservare l'utensile con la giunzione rivolta in basso. L'olio lubrificante potrebbe fuoriuscire.
- Conservare il carburante scaricato in un contenitore speciale, in un ambiente in ombra e ben ventilato.



Attenzioni dopo una lunga conservazione

- Prima dell'avviamento dopo una fase di inutilizzo prolungata è opportuno sostituire l'olio (vedere a pag. 80). L'olio si deteriora anche se l'utensile resta inutilizzato.

Individuazione dei guasti

Guasto	Sistema	Osservazione	Causa
Il motore non si avvia o si avvia con difficoltà	Sistema di accensione	Scintilla di accensione presente	Guasto nell'alimentazione del carburante o nel sistema di compressione, difetto meccanico
		Nessuna scintilla di accensione	Interruttore di arresto azionato, errore di cablaggio o corto circuito, candela o connettore difettoso, modulo di accensione guasto
	Alimentazione del carburante	Serbatoio del carburante riempito	Posizione del dispositivo di avviamento non corretta, carburatore difettoso, linea di alimentazione del carburante piegata o bloccata, carburante sporco
	Compressione	Nessuna compressione	Guarnizione inferiore del cilindro difettosa, guarnizioni dell'albero motore danneggiate, anelli del cilindro o del pistone difettosi, tenuta difettosa della candela
Problemi nell'avviamento a caldo	Guasto meccanico	Starter non innestato	Molla dello starter rotta, parti danneggiate all'interno del motore
		Serbatoio pieno, scintilla di accensione presente	Carburatore contaminato, effettuarne la pulizia
Il motore si avvia ma si spegne immediatamente	Alimentazione del carburante	Serbatoio riempito	Regolazione del minimo errata, carburatore contaminato
			Apertura del serbatoio del carburante difettosa, linea di alimentazione del carburante interrotta, cavo o interruttore di arresto difettosi
Prestazioni insufficienti	Possono essere interessati più sistemi contemporaneamente	Minimo scadente del motore	Filtro dell'aria contaminato, carburatore contaminato, marmitta intasata, condotto di scarico del cilindro intasato

Tempo di funzionamento Componente		Prima dell'uso	Dopo la lubrificazione	Ogni giorno (10 ore)	30 ore	50 ore	200 ore	Interruzione/ pausa	P corrispondente
Olio motore	Controllare/ pulire	○							76
	Sostituire					○*1			80
Serraggio dei componenti (bullone, dado)	Controllare	○							82
Serbatoio del carburante	Pulire/ ispezionare	○							—
	Scaricare il carburante							○*3	83
Leva dell'acceleratore	Controllare il funzionamento		○						—
Interruttore di arresto	Controllare il funzionamento		○						79
Rotazione a bassa velocità	Controllare/ regolare			○					79
Filtro dell'aria	Pulire			○					81
Candela di accensione	Controllare			○					82
Condotto dell'aria di raffreddamento	Pulire/ ispezionare			○					82
Tubo del carburante	Controllare			○					82
	Sostituire						◎*2		—
Filtro del carburante	Pulire/ sostituire					○			82
Distanza tra la valvola di ingresso e la valvola di scarico dell'aria	Effettuare la regolazione						◎*2		—
Surriscaldamento del motore							◎*2		—
Carburatore	Scaricare il carburante							○*3	83

*1 Eseguire la sostituzione iniziale dopo 20 ore di funzionamento.

*2 Per l'ispezione dopo 200 ore di funzionamento rivolgersi a un rappresentante autorizzato dell'assistenza o a un'officina.

*3 Dopo aver svuotato il serbatoio del carburante, lasciare il motore in funzione e drenare il carburante nel carburatore.

Consultare i manuali di istruzioni dei diversi accessori ed eseguire la manutenzione di tali accessori dopo l'uso.

RISOLUZIONE DEI PROBLEMI

Prima di richiedere una riparazione è opportuno individuare il problema autonomamente. Se viene rilevata un'anomalia, controllare la macchina secondo la descrizione nel presente manuale. Non smontare o manomettere le parti non indicate nella descrizione. Per le riparazioni rivolgersi all'agente autorizzato dell'assistenza o al rivenditore di zona.

Anomalia	Probabile causa (problema di funzionamento)	Soluzione
Il motore non si avvia	Impossibile utilizzare la pompa del carburante	Premere da 7 a 10 volte
	Velocità di tiraggio ridotta della corda di avviamento	Tirare con forza
	Mancanza di carburante	Rifornire di carburante
	Filtro del carburante intasato	Pulire
	Tubo del carburante rotto	Raddrizzare il tubo del carburante
	Carburante deteriorato	Il carburante deteriorato rende difficoltoso l'avviamento. Sostituire con carburante nuovo. (Sostituzione consigliata: 1 mese)
	Aspirazione eccessiva di carburante	Portare la leva dell'acceleratore dalla posizione di velocità media alla posizione di velocità alta e tirare l'impugnatura di avviamento fino ad avviare il motore. L'accessorio inizia la rotazione o il movimento a seguito dell'avviamento del motore. Prestare la massima attenzione all'accessorio. Se il motore ancora non si avvia, staccare la candela, asciugare l'elettrodo e rimontarla come in origine. Procedere quindi all'avviamento come specificato.
	Tappo della candela staccato	Attaccarlo saldamente
	Candela contaminata	Pulire
	Distanza anomala della candela	Regolare la distanza
	Altra anomalia della candela	Sostituire
	Carburatore anomalo	Richiedere l'ispezione e la manutenzione.
	Impossibile tirare la corda di avviamento	Richiedere l'ispezione e la manutenzione.
	Sistema di guida anomalo	Richiedere l'ispezione e la manutenzione.
Il motore si arresta subito La velocità del motore non aumenta	Riscaldamento insufficiente	Eseguire l'operazione di riscaldamento
	La leva del dispositivo di avviamento è nella posizione di chiusura anche se il motore è stato riscaldato.	Portarla nella posizione di apertura
	Filtro del carburante intasato	Pulizia o sostituzione
	Filtro dell'aria contaminato o intasato	Pulire
	Carburatore anomalo	Richiedere l'ispezione e la manutenzione.
	Sistema di guida anomalo	Richiedere l'ispezione e la manutenzione.
L'accessorio non ruota o non si muove ↓ Spegnerne immediatamente il motore	L'accessorio non è stato inserito nel punto specificato.	Effettuare l'inserimento secondo le istruzioni.
	Sistema di guida anomalo	Richiedere l'ispezione e la manutenzione.
L'unità principale vibra in modo anomalo ↓ Spegnerne immediatamente il motore	L'accessorio non è stato inserito nel punto specificato.	Effettuare l'inserimento secondo le istruzioni.
	Leva allentata	Serrarla saldamente.
	Sistema di guida anomalo	Richiedere l'ispezione e la manutenzione.
L'accessorio non si ferma immediatamente ↓ Spegnerne immediatamente il motore	Rotazione al minimo elevata	Effettuare la regolazione
	Filo dell'acceleratore staccato	Attaccarlo saldamente
	Sistema di guida anomalo	Richiedere l'ispezione e la manutenzione.
Il motore non si arresta ↓ Avviare il motore al minimo e portare la leva del dispositivo di avviamento nella posizione di chiusura	Connettore staccato	Attaccarlo saldamente
	Impianto elettrico anomalo	Richiedere l'ispezione e la manutenzione.

Se il motore non si avvia dopo l'operazione di riscaldamento:

Se non vengono rilevate anomalie, aprire l'acceleratore di circa 1/3 e avviare il motore.

Hartelijk dank voor uw aankoop van dit multifunctionele aandrijfsysteem van MAKITA. Met trots bevelen wij u dit multifunctionele aandrijfsysteem van MAKITA van harte aan als resultaat van een langdurig ontwikkelingsprogramma en jarenlange kennis en ervaring.















Lees deze handleiding met daarin nauwkeurige beschrijvingen van de diverse punten die zijn hoogstaande prestaties demonstreren. Hierdoor bent u in staat de best mogelijke resultaten te behalen die het multifunctionele aandrijfsysteem van MAKITA u kan bieden.



Inhoud	Pagina
Symbolen.....	86
Veiligheidsinstructies	87
Technische gegevens	91
Goedgekeurde hulpstukken.....	92
Namen van onderdelen	93
De handgreep monteren.....	94
Het hulpstuk monteren	94
Demonteren.....	95
Vóór het begin van het werk.....	96
Correct omgaan met het gereedschap.....	98
Tips voor gebruik en procedure voor stoppen	98
Onderhoudsinstructies.....	101
Opslag	104

SYMBOLLEN

Let op de volgende symbolen wanneer u de gebruiksaanwijzing leest.

	Lees de gebruiksaanwijzing en volg de waarschuwingen en veiligheidsvoorzorgsmaatregelen op!		Draag een veiligheidshelm, gezichts- en gehoorbescherming!
	Besteed bijzondere zorg en aandacht!		Brandstof (benzine)
	Verboden!		Motor handmatig starten
	Verboden te roken!		Noodstop
	Geen open vuur!		EHBO
	Veiligheidshandschoenen vereist!		AAN/START
	Draag stevige schoenen met antislipzolen. Veiligheidsschoenen met stalen neuzen worden aanbevolen!		UIT/STOP
	Houd mensen en huisdieren weg van het werkgebied!		

Bedoeld gebruik van het gereedschap

Dit multifunctioneel aandrijfsysteem is bedoeld voor het aandrijven van een goedgekeurd hulpstuk dat wordt genoemd in deze gebruiksaanwijzing. Gebruik het gereedschap nooit voor enig ander doel.

VEILIGHEIDSINSTRUCTIES

Algemene instructies

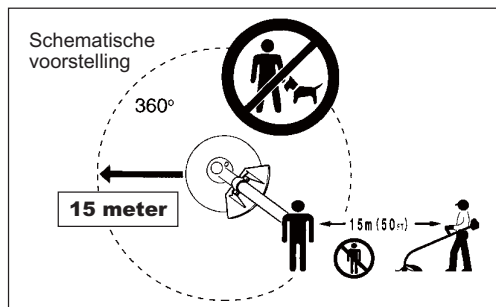
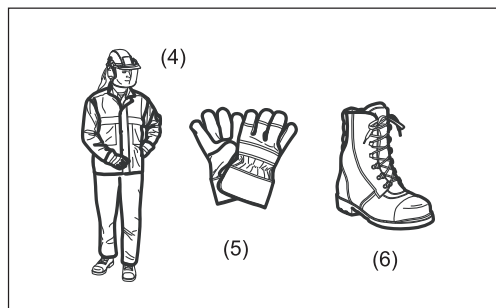
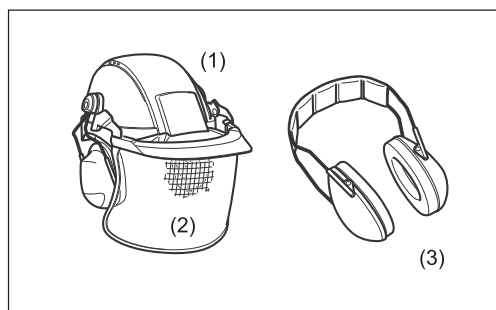
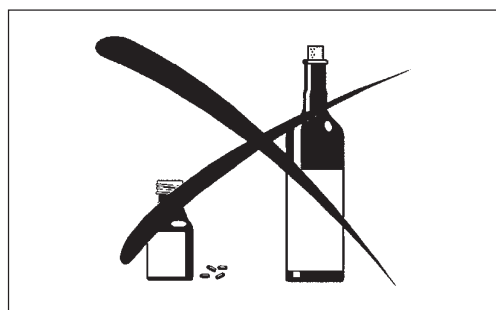
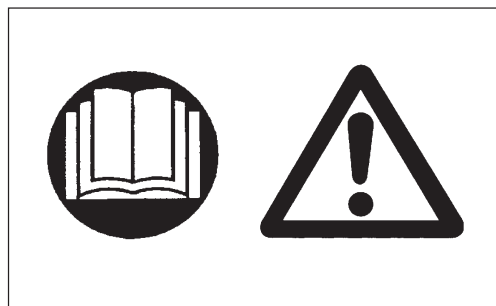
- Voor een correcte gebruik dient de gebruiker deze gebruiksaanwijzing te lezen om zichzelf bekend te maken met de juiste manier van omgaan met het multifunctionele aandrijfsysteem. Gebruikers die onvoldoende geïnformeerd zijn, lopen de kans zichzelf en anderen in gevaar te brengen als gevolg van onjuist omgaan met het multifunctionele aandrijfsysteem.
- Wij adviseren u het multifunctionele aandrijfsysteem uitsluitend uit te lenen aan personen die aantoonbare ervaring hebben in het gebruik van een multifunctioneel aandrijfsysteem. Geef altijd de gebruiksaanwijzing mee.
- Allereerst dienen gebruikers de dealer te vragen om basisinstructies om zichzelf bekend te maken met het omgaan met een multifunctioneel aandrijfsysteem.
- Laat geen kinderen of jonge mensen die jonger zijn dan 18 jaar met het multifunctionele aandrijfsysteem werken. Jongeren die ouder zijn dan 16 jaar mogen echter het gereedschap gebruiken om te oefenen, maar alleen onder toezicht van een gekwalificeerde begeleider.
- Gebruik het multifunctionele aandrijfsysteem altijd met de hoogst mogelijke zorg en aandacht.
- Gebruik het multifunctionele aandrijfsysteem alleen als u in goede lichamelijke conditie bent. Werk altijd rustig en voorzichtig. De gebruiker is aansprakelijk ten opzichte van anderen.
- Gebruik het multifunctionele aandrijfsysteem nooit na het gebruik van alcohol of drugs, of wanneer u zich moe of ziek voelt.
- Het gebruik van het gereedschap kan landelijk gereguleerd zijn.

Persoonlijke-veiligheidsuitrusting

- De te dragen kleding dient functioneel en geschikt te zijn, d.w.z. nauwsluitend zonder te hinderen. Draag geen juwelen of kleding die in de struiken kunnen verstrikt raken.
- Om tijdens het gebruik letsels aan hoofd, ogen, handen of voeten te voorkomen en uw gehoor te beschermen, moeten de volgende veiligheidsuitrusting en beschermende kleding worden gebruikt terwijl u met het multifunctionele aandrijfsysteem werkt.
- Draag altijd een helm wanneer het risico bestaat op vallende objecten. U moet de veiligheidshelm (1) regelmatig controleren op schade en uiterlijk na 5 jaar worden vervangen. Gebruik alleen goedgekeurde veiligheidshelmen.
- Het spatscherm (2) van de helm (of de veiligheidsbril) beschermt het gezicht tegen rondvliegend afval en stenen. Draag altijd een veiligheidsbril of een spatscherm wanneer u het multifunctionele aandrijfsysteem gebruikt om oogletsel te voorkomen.
- Draag geschikte uitrusting om u te beschermen tegen het lawaai en gehoorbeschadiging te voorkomen (oorbeschermers (3), oordopjes, enz.).
- Een werkoverall (4) beschermt tegen rondvliegend afval en opspringende stenen. Wij raden u sterk aan een werkoverall te dragen.
- Speciale handschoenen (5) van dik leer maken deel uit van de voorgeschreven uitrusting en moeten altijd worden gedragen tijdens het gebruik van het multifunctionele aandrijfsysteem.
- Draag altijd stevige schoenen (6) met een antislipzool wanneer u het multifunctionele aandrijfsysteem gebruikt. Dit beschermt u tegen letsel en garandeert dat u stevig staat.

Het multifunctionele aandrijfsysteem starten

- Zorg ervoor dat geen kinderen of andere personen zich in de buurt bevinden, en let ook op of er geen dieren in de werkomgeving zijn.
- Zorg ervoor dat het hulpstuk op zijn plaats is bevestigd, controleer de gashendel op soepele bediening, en controleer de juiste werking van de uitvergendeling.
- Het hulpstuk mag niet bewegen wanneer de motor stationair loopt. Neem bij twijfel contact op met uw dealer voor afstelling. Controleer of de handgrepen schoon en droog zijn en test de werking van de stopschakelaar.

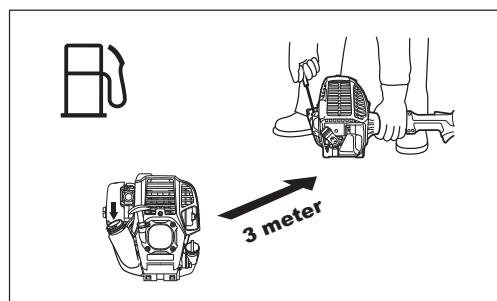
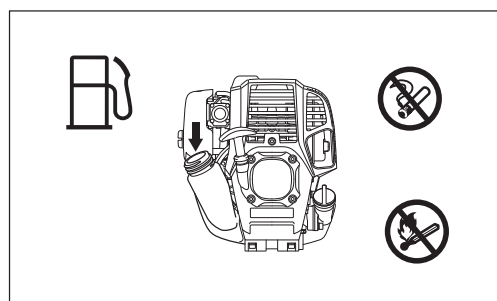
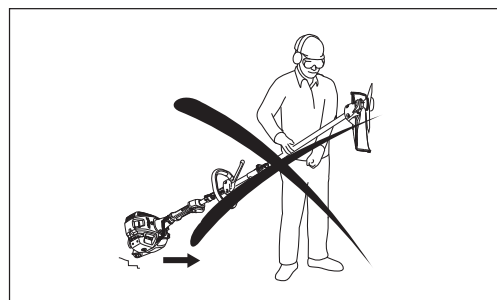
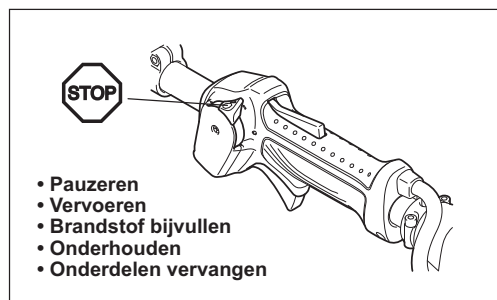
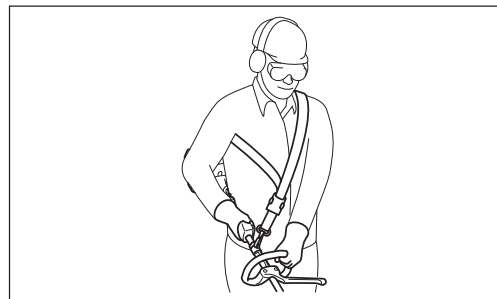
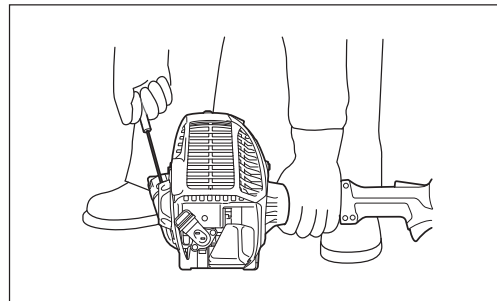


Start het multifunctionele aandrijfsysteem alleen in overeenstemming met de instructies.

- Gebruik geen enkele andere methode om de motor te starten!
- Gebruik het multifunctionele aandrijfsysteem en de gereedschappen uitsluitend voor de beschreven toepassingen.
- Start de motor van het multifunctionele aandrijfsysteem alleen nadat deze volledig is gemonteerd. Het gereedschap mag uitsluitend worden gebruikt nadat alle toepasselijke toebehoren zijn gemonteerd!
- Controleer vóór het starten of het hulpstuk geen contact maakt met harde voorwerpen, zoals takken, stenen, enz., omdat tijdens het starten het hulpstuk zal ronddraaien.
- De motor moet onmiddellijk uitgeschakeld worden in geval van enige motorstoring.
- Als het hulpstuk stenen of andere objecten raakt, moet u de motor onmiddellijk uitschakelen en het hulpstuk controleren.
- Gebruik het multifunctionele aandrijfsysteem alleen wanneer de schouderriem is bevestigd, die goed moet worden afgesteld voordat het multifunctionele aandrijfsysteem wordt gebruikt. Het is belangrijk de schouderriem af te stellen overeenkomstig de lichaamsgrootte van de gebruiker om vermoeidheid tijdens gebruik te voorkomen. Houd het multifunctionele aandrijfsysteem nooit met slechts één hand vast tijdens het gebruik.
- Houd tijdens gebruik het multifunctionele aandrijfsysteem altijd met twee handen vast.
Zorg er altijd voor dat u stevig staat.
- Gebruik het multifunctionele aandrijfsysteem zo, dat u geen uitlaatgassen kunt inademen. Laat de motor nooit draaien in een gesloten vertrek (kans op gasverstikking). Koolmonoxide is een geurloos gas.
- Schakel de motor uit tijdens pauzes en wanneer u het multifunctionele aandrijfsysteem onbeheerd achterlaat, en leg het op een veilige plaats om gevaar voor anderen en beschadiging van het gereedschap te voorkomen.
- Leg nooit een warm multifunctioneel aandrijfsysteem op droog gras of enige andere ontvlambare materialen.
- De hele veiligheidsuitrusting en alle beschermkappen die bij het gereedschap zijn geleverd, moeten tijdens het werk worden gebruikt.
- Laat de motor nooit lopen met een defecte uitlaatdemper.
- Schakel de motor uit tijdens het transport.
- Tijdens vervoer over lange afstanden moeten altijd de beschermingsdelen die bij het gereedschap werden geleverd worden gebruikt.
- Leg tijdens vervoer per auto het multifunctionele aandrijfsysteem op een veilige plaats om te voorkomen dat er brandstof uit lekt.
- Wanneer u het multifunctionele aandrijfsysteem vervoert, moet u ervoor zorgen dat de brandstoftank volledig leeg is.
- Let erop dat bij het uitladen van het multifunctionele aandrijfsysteem uit de auto, de motor niet op de grond valt omdat hierdoor de brandstoftank ernstig kan worden beschadigd.
- Behalve in noodgevallen mag u het multifunctionele aandrijfsysteem nooit op de grond laten vallen of weggooiden omdat hierdoor het multifunctionele aandrijfsysteem zwaar beschadigd kan raken.
- Let erop dat u het volledige gereedschap van de grond tilt wanneer u het verplaatst. Het is bijzonder gevaarlijk de brandstoftank over de grond te slepen en dit zal beschadiging en lekkage veroorzaken die kan leiden tot brand.
- Nadat tegen het gereedschap is gestoten of het is gevallen, controleert u de conditie van het gereedschap voordat u de werkzaamheden hervat. Controleer het brandstofsysteem op brandstoflekkage, en de bedieningselementen en veiligheidsvoorzieningen op een juiste werking. Als enige beschadiging zichtbaar is of u twijfelt, vraagt u ons erkende servicecentrum om inspectie en reparatie.

Brandstof bijvullen

- Schakel de motor uit tijdens het bijvullen van brandstof, houd het gereedschap uit de buurt van open vuur en rook niet.
- Vermijd huidcontact met minerale-olieproducten. Adem de brandstofdampen niet in. Draag altijd veiligheidshandschoenen tijdens het bijvullen van de brandstof. Zorg dat u de beschermende kleding regelmatig vervangt en reinigt.
- Wees voorzichtig geen brandstof of olie te morsen om bodemverontreiniging te voorkomen (milieubescherming). Reinig het multifunctionele aandrijfsysteem onmiddellijk nadat brandstof erop is gemorst.
- Vermijd dat brandstof in aanraking komt met uw kleding. Kleed u onmiddellijk om als brandstof op uw kleding is gemorst (om te voorkomen dat de kleding vlam vat).
- Inspecteer de brandstofvuldop regelmatig om zeker te zijn dat de dop stevig kan worden aangedraaid en niet lekt.
- Draai de brandstofvuldop stevig vast. Verplaats het multifunctionele aandrijfsysteem voordat u de motor start (tenminste 3 meters afstand tot de plaats waar brandstof is bijgevuld.)
- Vul nooit brandstof bij in een gesloten vertrek. Brandstofdampen verzamelen zich vlak boven de vloer (risico van explosie.)
- Vervoer en bewaar brandstof alleen in goedgekeurde tanks. Zorg dat de opgeslagen brandstof niet toegankelijk is voor kinderen.

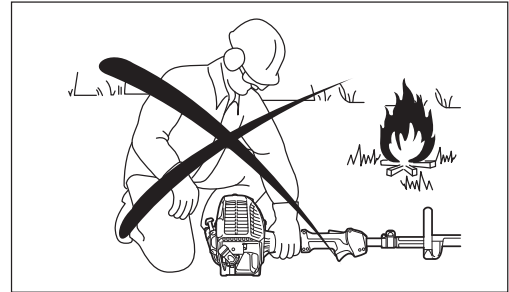


Gebruiksmethode

- Gebruik het multifunctionele aandrijfsysteem alleen bij goed licht en zicht. Wees in de winter bedacht op gladde of natte plaatsen, ijs en sneeuw (gevaar voor uitglijden). Zorg er altijd voor dat u stevig staat.
- Sta nooit op een ladder met een draaiend multifunctionele aandrijfsysteem.
- Klim nooit in een boom om daar het multifunctionele aandrijfsysteem te gebruiken.
- Werk nooit op onstabiele oppervlakken.
- Voordat u met het hulpstuk begint te werken, moet het hulpstuk op maximaal toerental draaien.
- Neem een pauze om te voorkomen dat u door vermoeidheid de controle over het gereedschap verliest. Wij adviseren u ieder uur 10 tot 20 minuten te rusten.

Onderhoudsinstructies

- Laat uw gereedschap onderhouden door ons erkende servicecentrum dat altijd uitsluitend gebruikmaakt van originele vervangingsonderdelen. Onjuiste reparatie en slecht onderhoud kan de levensduur van het gereedschap verkorten en de kans op ongevallen vergroten.
- Bedien het multifunctionele aandrijfsysteem met zo weinig mogelijk lawaai en vervuiling. Controleer met name de carburateur op een verkeerde afstelling.
- Maak het multifunctionele aandrijfsysteem regelmatig schoon en controleer of alle schroeven en moeren stevig zijn vastgemaakt.
- Onderhoud of bewaar het multifunctionele aandrijfsysteem niet in de buurt van open vuur.
- Bewaar het multifunctionele aandrijfsysteem altijd in een afgesloten ruimte en met een leeggemaakte brandstoftank.



Volg de relevante instructies voor het voorkomen van ongevallen die door de relevante beroepsverenigingen en verzekeringsmaatschappijen zijn uitgegeven.

Breng geen wijzigingen aan het multifunctionele aandrijfsysteem aan, omdat hiermee uw veiligheid gevaar loopt.

Het uitvoeren van onderhoud of reparaties door de gebruiker is beperkt tot de activiteiten die in de gebruiksaanwijzing zijn beschreven. Alle andere werkzaamheden moet worden uitgevoerd door een erkend servicecentrum. Gebruik uitsluitend originele vervangingsonderdelen en accessoires die zijn vervaardigd en geleverd door MAKITA.

Het gebruik van niet-goedgekeurde accessoires en gereedschappen leidt tot een verhoogde kans op ongevallen.

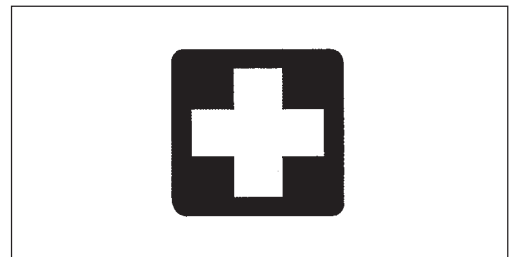
MAKITA aanvaardt geen enkele aansprakelijkheid voor ongevallen of schade veroorzaakt door het gebruik van niet-goedgekeurde hulpstukken, bevestigingsmiddelen voor hulpstukken of accessoires.

EHBO

Zorg dat er altijd een EHBO-dooi beschikbaar is in de buurt waar er wordt gemaaid om eerste hulp te bieden bij eventuele ongevallen. Vervang onmiddellijk elk item dat uit de EHBO-dooi is genomen.

Geef de volgende informatie wanneer u hulp inroept:

- Plaats van het ongeval
- Beschrijving van het ongeval
- Aantal gewonden
- Soort letsels
- Uw naam



Trillingen

- Personen met een slechte bloedsomloop die worden blootgesteld aan sterke trillingen, kunnen verwondingen aan bloedvaten of het zenuwstelsel oplopen. Trillingen kunnen de volgende symptomen veroorzaken in de vingers, handen of polsen: "slapen" (onvoeligheid), tintelingen, pijn, stekend gevoel, veranderen van huidskleur of van de huid. Als een van deze symptomen zich voordoet, raadpleegt u uw huisarts!
- Om de kans op deze "witte-vingerziekte" te verkleinen, houdt u uw handen warm tijdens het werk en onderhoudt u het gereedschap en de accessoires goed.

EU-VERKLARING VAN CONFORMITEIT

Wij, **Makita Corporation**, als de verantwoordelijke fabrikant, verklaren dat de volgende Makita-machines:

Aanduiding van de machine: Multifunctioneel aandrijfsysteem
Modelnr./Type: EX2650LH
Technische gegevens: zie de tabel "TECHNISCHE GEGEVENS EX2650LH"
in serie is geproduceerd en

Voldoet aan de volgende Europese richtlijnen:

2000/14/EC en 2006/42/EC

En is gefabriceerd in overeenstemming met de volgende normen of genormaliseerde documenten:

EN/ISO11806, EN709, EN/ISO10517, EN/ISO11680, EN/ISO12100

De technische documentatie wordt bewaard door:

Makita International Europe Ltd., Technical Department,
Michigan Drive, Tongwell,
Milton Keynes, Bucks MK15 8JD, Engeland

De conformiteitsbeoordelingsprocedure vereist door Richtlijn 2000/14/EC was is overeenstemming met annex V.

EX2650LH met EM400MP (Bosmaaierhulpstuk)

Gemeten geluidsvermogeniveau: 108,5 dB (A)

Gegarandeerd geluidsvermogeniveau: 113 dB (A)

EX2650LH met EM401MP (Bosmaaierhulpstuk)

Gemeten geluidsvermogeniveau: 102,7 dB (A)

Gegarandeerd geluidsvermogeniveau: 105 dB (A)

EX2650LH met ER400MP (Graskantmaaierhulpstuk)

Gemeten geluidsvermogeniveau: 109,2 dB (A)

Gegarandeerd geluidsvermogeniveau: 116 dB (A)

EX2650LH met EN400MP (Heggenschaarhulpstuk)

Gemeten geluidsvermogeniveau: 103,8 dB (A)

Gegarandeerd geluidsvermogeniveau: 109 dB (A)

EX2650LH met EN400MP (Heggenschaarhulpstuk) en LE400MP (Aandrijfasverlengingshulpstuk)

Gemeten geluidsvermogeniveau: 104,0 dB (A)

Gegarandeerd geluidsvermogeniveau: 106 dB (A)

Het certificaatnummer van het EU-typeonderzoek als stoksnoeizaag met hulpstuk EY400MP, EY401MP en LE400MP is:

4811004.11016

De EU-typeonderzoek volgens 2006/42/EC werd uitgevoerd door:

DEKRA Testing and Certification GmbH
Enderstraße 92b
01277 Dresden, Duitsland
Identificatienr. 2140

30. 1. 2012



Tomoyasu Kato
Directeur
Makita Corporation
3-11-8, Sumiyoshi-cho,
Anjo, Aichi, 446-8502, JAPAN

TECHNISCHE GEGEVENS EX2650LH

Model	EX2650LH	
	Beugelhandgreep	
Afmetingen: lengte x breedte x hoogte (zonder snijblad) met beschermplaat	mm	975 x 323 x 241
Afmetingen: lengte x breedte x hoogte (zonder snijblad) zonder beschermplaat	mm	975 x 242 x 241
Gewicht (zonder kunststofbeschermer en snijblad)	kg	4,6
Volume (brandstoftank)	l	0,6
Volume (oliereservoir)	l	0,08
Cilinderinhoud	cm ³	25,4
Maximaal motorvermogen	kW	0,77 bij 7.000 min ⁻¹
Motortoerental bij aanbevolen max. astoerental	min ⁻¹	8.500
Maximaal astoerental (bijbehorend)	min ⁻¹	6.500
Maximaal brandstofverbruik	kg/u	0,33
Maximaal specifiek brandstofverbruik	g/kwh	408
Stationair toerental	min ⁻¹	3.000
Toerental op aangrijppunt van koppeling	min ⁻¹	3.900
Carburateur	type	WALBRO WYL
Ontstekingssysteem	type	Transistorontsteking
Bougie	type	NGK CMR4A
Elektrodenafstand	mm	0,7 - 0,8
Brandstof	Benzine voor auto's	
Motorolie	SAE 10W-30 olie volgens API-classificatie, SF-klasse of beter (4-taktmotorolie voor auto's)	

Trillingen

Hulpstuk	Rechterhandgreep (achterste handvat)		Linkerhandgreep (voorste handvat)		Toepasselijke normen
	$a_{hv\ eq}$ (m/s ²)	Onzekerheid (K) (m/s ²)	$a_{hv\ eq}$ (m/s ²)	Onzekerheid (K) (m/s ²)	
EM400MP	6,5	1,2	5,9	1,8	ISO 22867
EM401MP	5,6	2,1	4,8	1,0	ISO 22867
ER400MP	7,1	2,8	5,5	2,7	ISO 22867
EY400MP	9,4	2,0	4,2	2,0	ISO 22867
EY400MP + LE400MP	4,8	2,0	3,4	2,0	ISO 22867
EY401MP	6,5	2,0	3,8	2,0	ISO 22867
EY401MP + LE400MP	5,6	2,0	3,4	2,0	ISO 22867
EN400MP	8,4	1,8	5,0	0,7	ISO 10517
EN400MP + LE400MP	8,0	1,7	4,3	0,7	ISO 10517
KR400MP	5	1,1	4,4	2,3	ISO 22867
EJ400MP	7,1	1,5	4,9	1,5	ISO 22867
EJ400MP + LE400MP	6,4	0,6	4,0	0,7	ISO 22867

Geluid

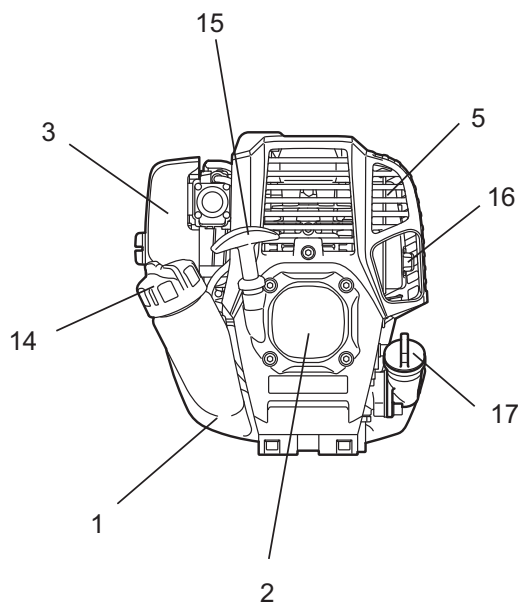
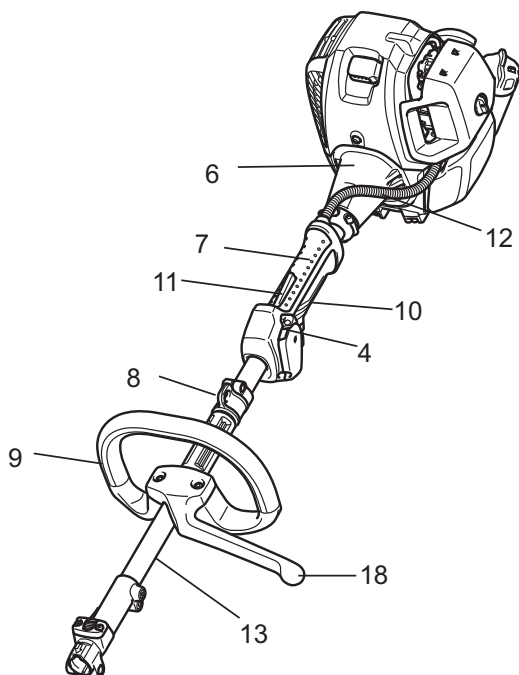
Hulpstuk	Gemiddeld geluidsdruk niveau		Gemiddeld geluidsvermogen niveau		Toepasselijke normen
	$L_{PA,eq}$	Onzekerheid (K)	$L_{WA,eq}$	Onzekerheid (K)	
EM400MP	95,0	4,4	105,5	3,3	ISO 22868
EM401MP	89,9	3,6	99,7	2,7	ISO 22868
ER400MP	97,9	4,2	106,2	4,0	ISO 22868
EY400MP	93,0	2,5	104,5	2,5	ISO 22868
EY400MP + LE400MP	90,3	2,5	107,8	2,5	ISO 22868
EY401MP	92,6	2,5	104,7	2,5	ISO 22868
EY401MP + LE400MP	90,5	2,5	107,9	2,5	ISO 22868
EN400MP	93,1	4,4	102,9	4,8	ISO 10517
EN400MP + LE400MP	87,8	1,9	103,0	2,0	ISO 10517
KR400MP	93,7	2,6	99,7	1,2	ISO 22868
EJ400MP	89,0	2,3	99,8	1,1	ISO 22868
EJ400MP + LE400MP	88,1	2,2	100,8	2,3	ISO 22868

GOEDGEKEURDE HULPSTUKKEN

HULPSTUK	Model
Bosmaaierhulpstuk	EM400MP, EM401MP
Graskantmaaierhulpstuk	ER400MP
Stoksnoeizaaghulpstuk	EY400MP, EY401MP
Heggenschaarhulpstuk	EN400MP
Grondfreeshulpstuk	KR400MP
Koffieoogsthulpstuk	EJ400MP
Aandrijfasverlengingshulpstuk	LE400MP

NAMEN VAN ONDERDELEN

EX2650LH



NL	NAMEN VAN ONDERDELEN
1	Brandstoftank
2	Trekstartinrichting
3	Luchtfilter
4	Stopschakelaar (stop - bedrijf)
5	Uitlaatdemper
6	Koppelingshuis
7	Achterste handvat
8	Bevestigingssoog
9	Handgreep
10	Gashendel
11	Uit-vergrendelhendel
12	Gaskabel
13	Schacht
14	Brandstofvuldop
15	Trekstarthandgreep
16	Uitlaatpijp
17	Olievuldop
18	Beschermplaat*

Opmerking: In sommige landen wordt de beschermplaat niet bij het gereedschap geleverd.

DE HANDGREEP MONTEREN

LET OP: Voordat u werkzaamheden uitvoert aan het multifunctionele aandrijfsysteem, moet u altijd de motor uitschakelen en de bougiekap van de bougie aftrekken.

Draag altijd veiligheidshandschoenen!

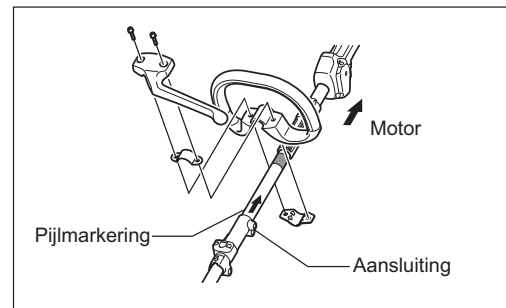
LET OP: Start het multifunctionele aandrijfsysteem pas nadat deze geheel in elkaar is gezet.

De beugelhandgreep bevestigen

- Monteer de beschermplaat en de handgreep stevig met behulp van twee schroeven en klemmen. Plaats hierbij de beschermplaat aan de linkerkant van het gereedschap, zoals afgebeeld.
- Zorg ervoor dat de beschermplaat/handgreep zich tussen de afstandshouder en de pijlmarkering bevindt. Verwijder of verkort de afstandshouder niet.
- Verwijder na montage de beschermplaat niet.

LET OP: Monteer de handgreep nooit op de sticker of de aansluiting.

Opmerking: In sommige landen worden de beschermplaat en de pijlmarkering niet bij het gereedschap geleverd.



HET HULPSTUK MONTEREN

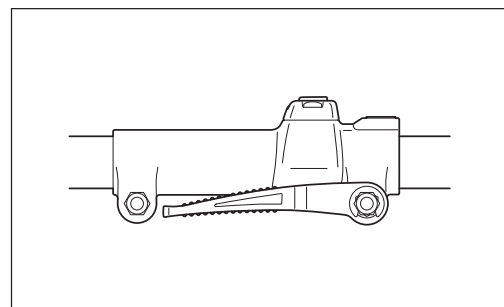
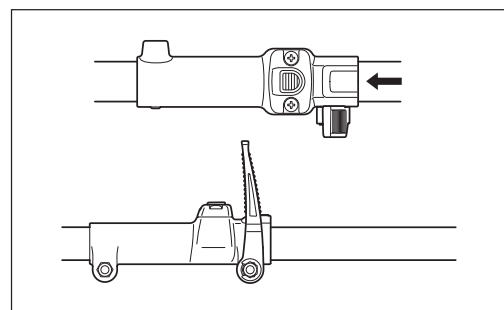
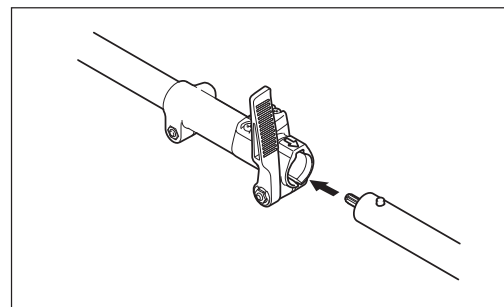
LET OP: Voordat u werkzaamheden uitvoert aan het multifunctionele aandrijfsysteem, moet u altijd de motor uitschakelen en de bougiekap van de bougie aftrekken.

Draag altijd veiligheidshandschoenen!

LET OP: Start het multifunctionele aandrijfsysteem pas nadat deze geheel in elkaar is gezet.

Bevestigen

- Zet de hendel omhoog.
- Lijn de pin op het hulpstuk uit met de groef van de koppeling en steek de pin erin.
- Steek het hulpstuk erin tot aan de pijl op het hulpstuk. En controleer of de knop omhoog is gekomen.
- Zet de hendel omlaag.
(Zie de afbeeldingen rechts als hulpmiddel.)

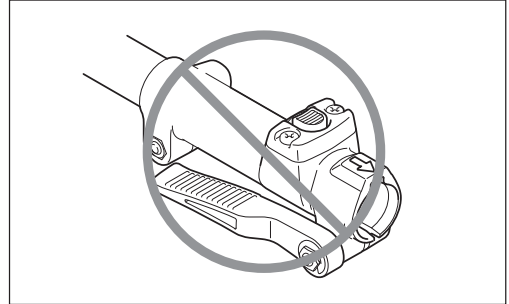
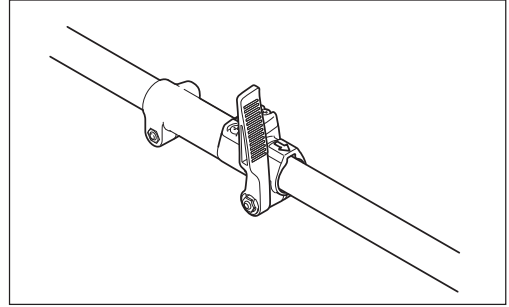


DEMONTEN

- Zet de hendel omhoog.
- Druk op de knop en haal het hulpstuk eraf.
(Probeer zo veel mogelijk het hulpstuk in een rechte lijn eraf te trekken.)

Opmerking:

- Laat de hendel niet omlaag staan wanneer geen hulpstuk is bevestigd.



VÓÓR HET BEGIN VAN HET WERK

Controleren en bijvullen van de motorolie

- Voer de volgende procedure uit bij koude motor.
- Plaats de motor horizontaal, draai de olievuldop eraf (zie afb. 1) en controleer of het oliepeil tussen de inwendige randen in de oliebus voor de boven- en ondergrens van het oliepeil staat (zie afb. 2).
- Vul motorolie bij tot aan de markering van de bovengrens als er te weinig motorolie in zit (het oliepeil is dicht bij de ondergrens) (zie afb. 3).
- Het gebied tussen de markeringen op de buitenkant is doorzichtig zodat het oliepeil van buitenaf kan worden gecontroleerd zonder de olievuldop eraf te hoeven draaien. Echter, wanneer de oliebus erg vuil is geworden, kan deze ondoorzichtig zijn en moet het oliepeil worden gecontroleerd aan de hand van de inwendige randen binnenin de oliebus.
- Ter informatie, na ongeveer iedere 10 bedrijfsuren moet olie worden bijgevuld (na iedere 10 keer brandstof bijvullen). Als de olie door vuil van kleur is veranderd, ververs u de vuile olie door nieuwe. (Raadpleeg pagina 101 voor informatie over de verversingsinterval en verversingsprocedure.)

Aanbevolen olie: SAE 10W-30 olie van API-classificatie, SF-klasse of beter (4-taktmotorolie voor auto's)

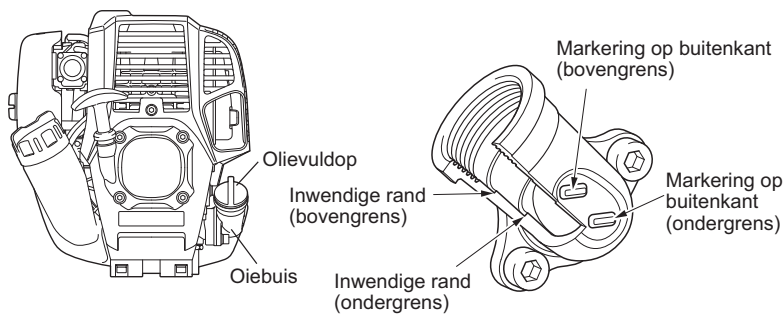
Hoeveelheid olie: Ongeveer 0,08 liter

Opmerking: Als de motor niet horizontaal wordt gehouden, kan de olie binnenin de motor terechtkomen en te veel worden bijgevuld.

Als de olie tot boven het bovenste merkteken wordt bijgevuld, kan de olie gemorst worden en vlam vatten waarbij witte rook vrijkomt.

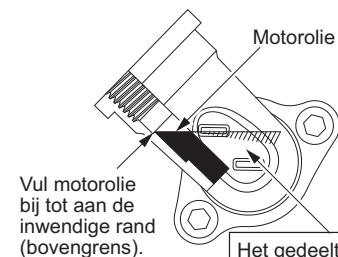
Tip 1 bij het verversen van de olie: "Olievuldop"

- Verwijder stof of vuil rondom de olievulopening en draai de olievuldop eraf.
- Zorg ervoor dat geen zand of stof op de olievuldop komt. Als dit toch gebeurt, kan het zand of stof dat aan de olievuldop kleeft leiden tot een onregelmatige oliecirculatie of slijtage van de motoronderdelen, waardoor storingen kunnen ontstaan.



Afb. 1

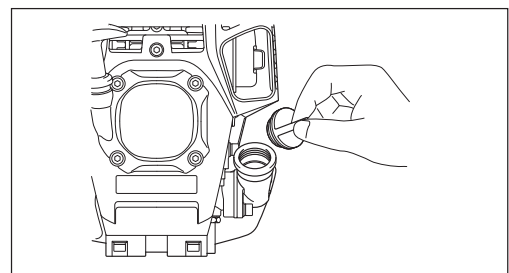
Afb. 2 Oliebus



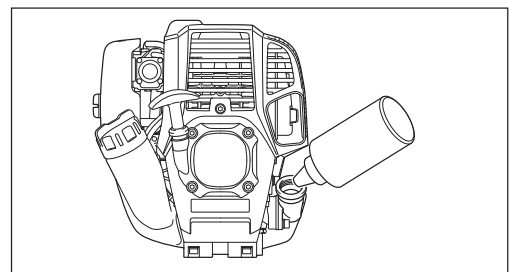
Afb. 3

Het gedeelte tussen de markeringen op de buitenkant voor de boven- en ondergrens is doorzichtig zodat u van buitenaf kunt controleren of het oliepeil tussen de markeringen staat.

- (1) Houd de motor horizontaal en draai de olievuldop eraf.



- (2) Vul motorolie bij tot aan de markering van de bovengrens (zie afb. 3). Gebruik voor het bijvullen een oliefles.



- (3) Draai de olievuldop stevig vast. Bij onvoldoende vastdraaien kan olie eruit lekken.

Opmerking

- Ververs de olie niet met de motor in een gekantelde positie.
- Als olie wordt bijgevuld terwijl de motor is gekanteld, kan te veel olie worden bijgevuld waardoor verontreiniging en/of witte rook wordt veroorzaakt.

Tip 2 bij het verversen van de olie: "Olielekkage"

- Als olie eruit lekt tussen de brandstoftank en het motorblok, wordt de olie via de koelluchtinlaatopening naar binnen gezogen waardoor de motor verontreinigd raakt. Veeg gelekte olie af voordat u met het werk begint.

BRANDSTOF BIJVULLEN

Omgaan met brandstof

Het is noodzakelijk uiterst voorzichtig om te gaan met brandstof. Brandstof kan stoffen bevatten die ook in oplosmiddelen voorkomen. Het bijvullen van brandstof moet gebeuren in een vertrek met een voldoende goede ventilatie of in de open lucht. Adem nooit brandstofdampen in en houd afstand tot de brandstof. Als uw huid herhaaldelijk in aanraking komt met brandstof gedurende een lange tijd, wordt uw huid droog, waardoor een huidziekte of allergie kan ontstaan. Als brandstof in uw oog komt, spoelt u uw oog uit met schoon water. Als uw oog daarna blijft irriteren, raadpleegt u een dokter.

Bewaartermijn van brandstof

Brandstof dient binnen een periode van 4 weken te worden opgebruikt, ook wanneer de brandstof wordt bewaard in een speciale jerrycan op een goed geventileerde plaats in de schaduw.

Als geen speciale jerrycan wordt gebruikt, of als de brandstof in een open bak wordt bewaard, kan de brandstof binnen één dag verslechteren.

OPSLAG VAN MAAIER EN JERRYCAN

- Bewaar het gereedschap en de jerrycan op een koele plaats uit direct zonlicht.
- Bewaar de brandstof nooit in de passagiersruimte of bagageruimte van een auto.

Brandstof

De motor is een viertaktmotor. Gebruik uitsluitend benzine voor auto's (normale benzine of superbenzine).

Tips voor het omgaan met brandstof

- Gebruik nooit mengsmering, waarin motorolie zit. Als u dat doet, zal buitensporige koolafzetting of mechanische storing optreden.
- Als verslechterde olie wordt gebruikt, zal dat leiden tot onregelmatig starten.

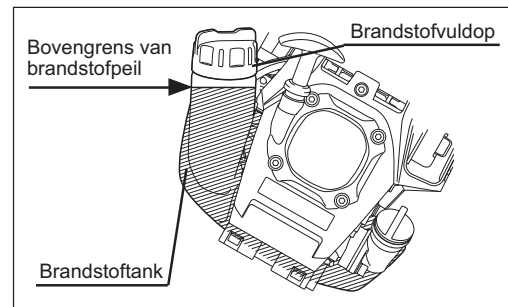
Brandstof bijvullen

WAARSCHUWING: STRENG VERBODEN VOOR ONTBRANDBARE MATERIALEN

Gebruikte benzine: Benzine voor auto's (loodvrije benzine)

- Draai de brandstofvuldop een klein stukje los zodat een verschil in luchtdruk wordt opgeheven.
- Draai de brandstofvuldop eraf, vul brandstof bij en laat de lucht uit de brandstoftank stromen door de brandstoftank iets te kantelen zodat de brandstofvulopening recht omhoog wijst. (Vul nooit brandstof bij via de olievlopening.)
- Veeg rondom de brandstofvuldop goed schoon om te voorkomen dat vreemde stoffen in de brandstoftank kunnen vallen.
- Na het bijvullen van brandstof draait u de brandstofvuldop weer vast.

- Als enige onvolkomenheid of schade aan de brandstofvuldop wordt geconstateerd, moet deze worden vervangen.
- De brandstofvuldop is een gebruiksartikel en moet daarom iedere twee tot drie jaar worden vervangen.



CORRECT OMGAAN MET HET GEREEDSCHAP

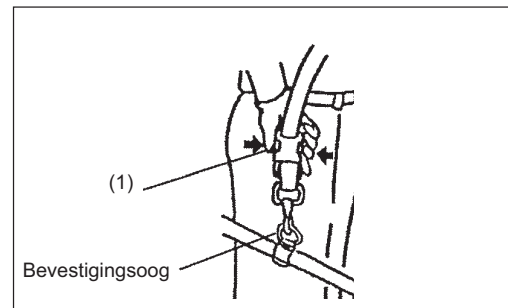
De schouderriem bevestigen

- Pas de lengte van de schouderriem aan overeenkomstig uw werkzaamheden.

Losmaken

- In geval van nood, druk de knoppen (1) aan beide zijanten in zodat het gereedschap los komt van uw lichaam.
Let er goed op dat u op dat moment de controle over het gereedschap behoudt. Zorg ervoor dat het gereedschap zich niet in uw richting of in de richting van iemand die in de buurt staat beweegt.

WAARSCHUWING: Als u geen complete controle over het gereedschap behoudt, kan dit ernstige lichamelijk letsels of de DOOD veroorzaken.



TIPS VOOR GEBRUIK EN PROCEDURE VOOR STOPPEN

Volg de toepasselijke voorschriften voor ongevallenpreventie!

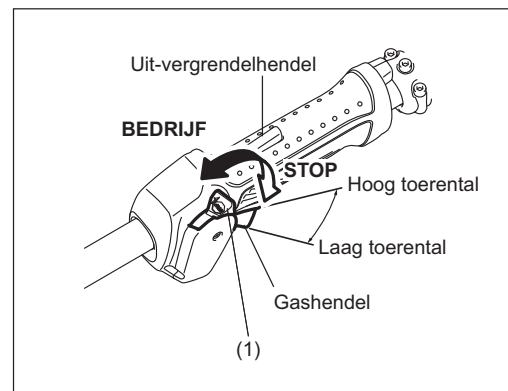


INSCHAKELEN

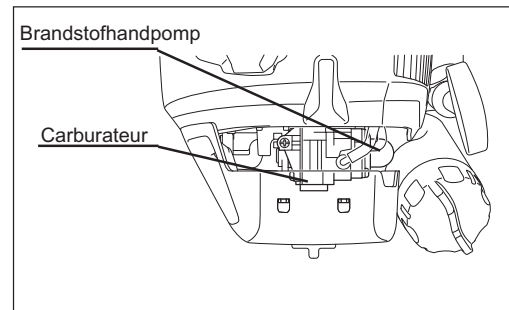
Houd tenminste 3 meters afstand tot de plaats waar brandstof is bijgevuld. Plaats het multifunctionele aandrijfsysteem op een schoon stuk grond en zorg ervoor dat het hulpstuk de grond of andere voorwerpen niet raakt.

A: Startprocedure bij koude motor

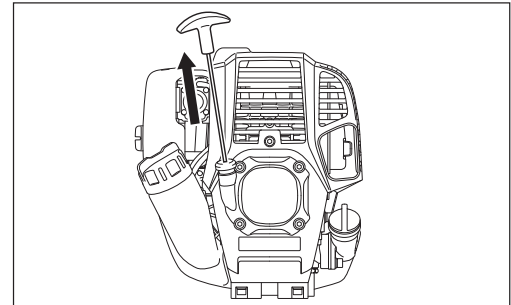
- 1) Plaats het gereedschap op een vlakke ondergrond.
- 2) Zet de stopschakelaar (1) in de stand I (bedrijf).



- 3) Brandstofhandpomp
Blijf op de brandstofhandpomp drukken tot de brandstof in de brandstofhandpomp stroomt.
(Over het algemeen stroomt de brandstof in de brandstofhandpomp na 7 tot 10 keer duwen.)
Als te vaak op de brandstofhandpomp wordt gedrukt, vloeit het overschot aan brandstof terug naar de brandstoftank.



- 4) Trekstartinrichting
Trek voorzichtig aan de trekstarthandgreep tot u weerstand voelt (compressiepunt). Laat de trekstarthandgreep terugtrekken en trek er vervolgens krachtig aan.
Trek nooit door tot aan het einde van het trekstartkoord. Nadat aan de trekstarthandgreep is getrokken, mag u hem niet onmiddellijk loslaten. Houd de trekstarthandgreep vast tot het trekstartkoord is opgewonden in de trekstartinrichting.
- 5) Opwarmen
Laat de motor gedurende 2 tot 3 minuten opwarmen.



Opmerking: In geval van een overmatige brandstoftoevoer, verwijdert u de bougie en trekt u langzaam aan de trekstarthandgreep om overtollige brandstof te verwijderen. Maak ook het elektrodengedeelte van de bougie droog.

Opgelet tijdens gebruik:

Als de gashendel volledig wordt ingeknepen tijdens onbelast bedrijf, neemt het motortoerental toe tot meer dan 10.000 toeren min⁻¹ of meer. Laat de motor nooit draaien op een hoger toerental dan nodig is en met een toerental van 6.000 tot 8.500 toeren min⁻¹.

B: Startprocedure bij warme motor

- 1) Druk herhaaldelijk op de brandstofhandpomp.
- 2) Laat de gashendel in de stand voor stationair draaien staan.
- 3) Trek krachtig aan de trekstarthandgreep.
- 4) Als de motor moeilijk te starten is, zet u de chokehendel ongeveer 1/3 open.
Let goed op het hulpstuk dat kan gaan draaien.

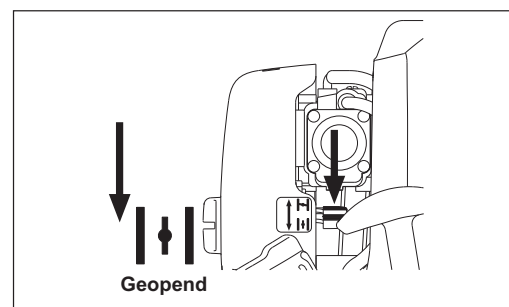
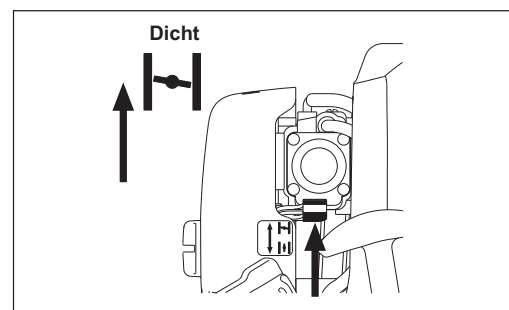
Wanneer de motor moeilijk te starten is, zoals in de winter

Gebruik de chokehendel volgens de volgende procedure om de motor te starten.

- Nadat de stappen 1) tot en met 3) van de startprocedure zijn uitgevoerd, zet u de chokehendel in de dichte stand.
- Voer stap 4) van de startprocedure uit en start de motor.
- Nadat de motor is gestart, zet u de chokehendel in de geopende stand.
- Voer stap 5) van de startprocedure uit en voltooi het opwarmen.

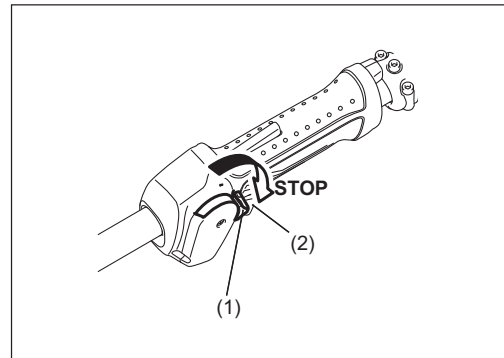
LET OP: Wanneer een dreun (geluid van een explosie) wordt gehoord en de motor afslaat, of de zojuist gestarte motor afslaat voordat de chokehendel wordt bediend, zet u de chokehendel terug in de geopende stand, en trekt u weer enkele keren aan de trekstarthandgreep om de motor te starten.

LET OP: Als de chokehendel in de dichte stand blijft staan en alleen enkele keren aan de trekstarthandgreep wordt getrokken, wordt te veel brandstof aangezogen en zal de motor moeilijk te starten zijn.



STOPPEN

- 1) Laat de gashendel (2) volledig los en, nadat het motortoerental is afgenomen, duw de stopschakelaar (1) naar de stand "STOP" om de motor uit te schakelen.
- 2) Bedenk dat het hulpstuk wellicht niet onmiddellijk stopt en laat het volledig uitdraaien.

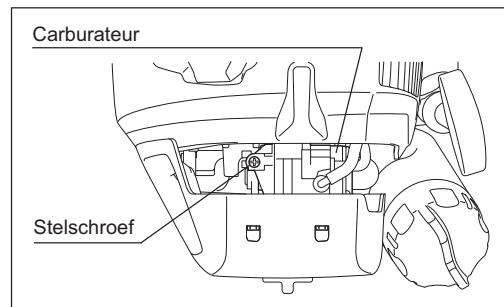


HET LAAG TOERENTAL (VOOR STATIONAIR DRAAIEN) AFSTELLEN

Als het nodig is het laag toerental (voor stationair draaien) af te stellen, doet u dit met behulp van de stelschroef op de carburateur.

HET LAAG TOERENTAL CONTROLEREN

- Stel het laag toerental af op 3.000 toeren min^{-1} .
Als het nodig is het laag toerental af te stellen, draait u de stelschroef (rechts afgebeeld) met een kruiskopschroevendraaier.
- Draai de stelschroef rechtsom om het motortoerental te verhogen.
Draai de stelschroef linksom om het motortoerental te verlagen.
- De carburateur is over het algemeen goed afgesteld vóór aflevering aan de klant. Mocht het toch nodig zijn deze opnieuw af te stellen, neemt u contact op met een erkend servicecentrum.



ONDERHOUDSINSTRUCTIES

LET OP: Voordat u werkzaamheden uitvoert aan het multifunctionele aandrijfsysteem, moet u altijd de motor uitschakelen en de bougiekap van de bougie aftrekken (zie "De bougie controleren").

Draag altijd veiligheidshandschoenen!

Gebruik nooit benzine, wasbenzine, thinner, alcohol, enz. Dit kan leiden tot verkleuren, vervormen of barsten.

Om een lange levensduur te garanderen en eventuele schade aan het gereedschap te voorkomen, moeten de volgende onderhoudswerkzaamheden regelmatig uitgevoerd worden.

Dagelijkse controle en onderhoud

- Controleer het gereedschap voor het gebruik op losse bouten of ontbrekende onderdelen. Let met name goed op of het goedgekeurde hulpstuk correct op zijn plaats bevestigd is.
- Controleer voor gebruik altijd op verstopping van de koelluchtinlaatopening en de koelribben van de cilinder. Maak ze schoon indien dat nodig is.
- Voer de volgende werkzaamheden dagelijks uit na het gebruik:
 - Reinig de buitenkant van het multifunctionele aandrijfsysteem en inspecteer op beschadigingen.
 - Maak het luchtfilter schoon. Maak het luchtfilter meerdere keren per dag schoon als u in onder extreem stoffige omstandigheden werkt.
 - Controleer of er voldoende verschil is tussen het stationair toerental en het aangrijptoeental om zeker te zijn dat het hulpstuk stilstaat wanneer de motor stationair draait (verlaag zo nodig het stationair toerental). In het geval het hulpstuk bij stationair toerental blijft draaien, neemt u contact op met het dichtstbijzijnde, erkende servicecentrum.
- Controleer de werking van de stopschakelaar, de uit-vergrendelhendel en de gashendel.

MOTOROLIE VERVERSEN

Verslechterde motorolie verkort sterk de levensduur van de bewegende delen van de motor. Controleer het verversingsinterval en de bijvulhoeveelheid.



LET OP: Over het algemeen zijn de motor zelf en de motorolie heet kort nadat de motor is uitgeschakeld. Alvorens de motorolie te verversen, controleert u op de motor zelf en de motorolie voldoende zijn afgekoeld. Als u dit niet doet, bestaat de kans op verbranding.

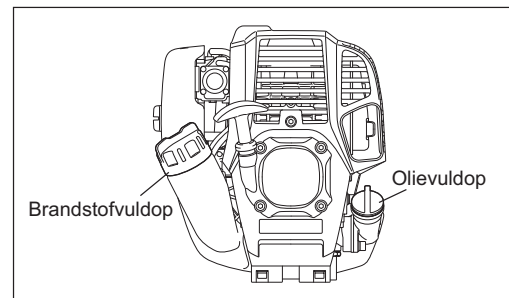
Opmerking: Als de olie tot boven het bovenste merkteken wordt bijgevuld, kan de olie gemorst worden en vlam vatten waarbij witte rook vrijkomt.

Verversingsinterval: In eerste instantie iedere 20 bedrijfsuren, en daarna iedere 50 bedrijfsuren

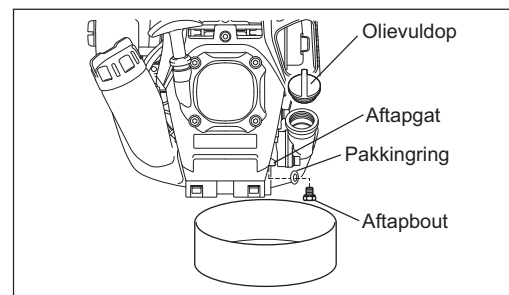
Aanbevolen olie: SAE 10W-30 olie van API-classificatie, SF-klasse of beter (4-taktmotorolie voor auto's)

Volg de onderstaande procedure om de olie te verversen.

- 1) Controleer of de brandstofvuldop stevig vastgedraaid is.
- 2) Plaats een grote opvangbak (pan, enz.) onder het aftapgat.



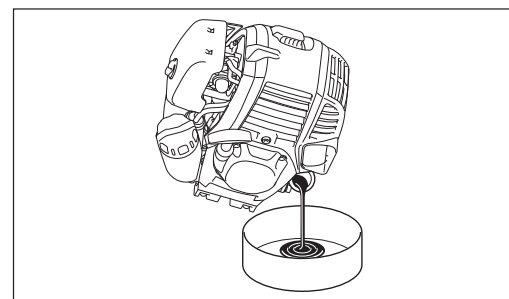
- 3) Verwijder de aftapbout en draai daarna de olievuldop eraf om de motorolie af te tappen uit het aftapgat. Wees hierbij voorzichtig de pakkingring van de aftapbout niet kwijt te raken en de verwijderde onderdelen niet vuil te maken.
- 4) Nadat de motorolie is afgetapt, draait u de aftapbout met daarop de pakkingring stevig vast, zodat deze niet kan losraken en gaan lekken.
* Gebruik een poetsdoek om de motorolie die aan de aftapbout en het gereedschap zit volledig af te vegen.



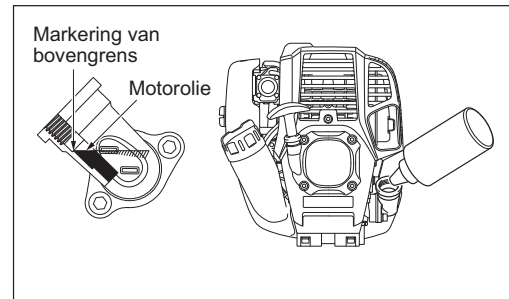
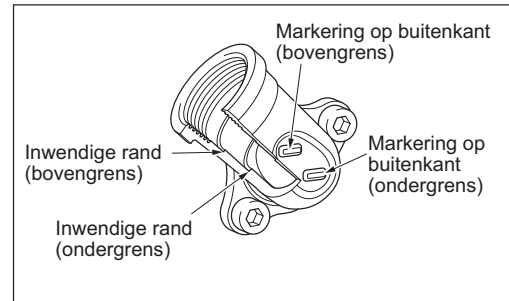
Alternatieve methode voor het aftappen van de motorolie

Draai de olievuldop eraf en kantel het multifunctionele aandrijfsysteem zodat dat de olieulopening onder zit.

Vang de motorolie op in een opvangbak.



- 5) Plaats de motor horizontaal en vul geleidelijk nieuwe motorolie bij tot aan de markering van de bovengrens.
- 6) Draai na het bijvullen de olievuldop stevig vast, zodat deze niet kan losraken en gaan lekken.
Als de olievuldop niet stevig wordt vastgedraaid, kan deze gaan lekken.



TIPS VOOR HET OMGAAN MET OLIE

- Gooi verbruikte motorolie nooit weg met het afval, op de grond, of in een rioolput. Het weggooien van olie is bij wet geregeld. Houd u bij het weggooien altijd aan de betreffende wetten en regelgeving. In het geval u hierover vragen heeft, neemt u contact op met een erkend servicecentrum.
- Olie verslechtert, ook wanneer de olie niet wordt gebruikt. Controleer en ververs de olie regelmatig (ververs de olie iedere 6 maanden).

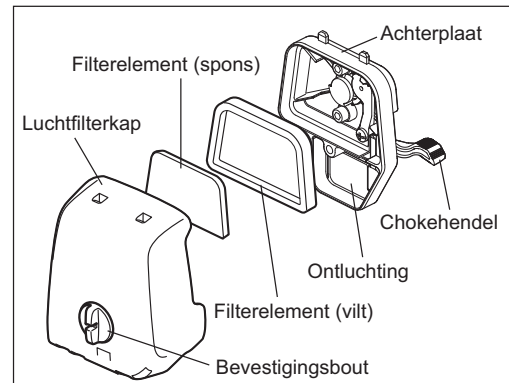
HET LUCHTFILTER REINIGEN



WAARSCHUWING: STRENG VERBODEN VOOR ONTBRANDBARE MATERIALEN

Controle- en reinigingsinterval: Dagelijks (iedere 10 bedrijfsuren)

- Zet met de chokehendel de choke helemaal dicht en houd de carburateur vrij van stof of vuil.
- Draai de bevestigingsbout los.
- Verwijder de luchtfilterkap door aan de onderkant te trekken.
- Verwijder de luchtfilterelementen en tik ertegen om het vuil te verwijderen.
- Als de luchtfilterelementen zwaar verontreinigd zijn:
Verwijder de luchtfilterelementen, dompel ze in warm water of in een oplossing van een mild schoonmaakmiddel in water, en droog ze grondig. Knijp er niet in en wrijf er niet over tijdens het wassen.
- Alvorens de luchtfilterelementen terug te plaatsen, moeten deze grondig droog zijn. Als de luchtfilterelementen onvoldoende droog worden teruggeplaatst, kan dat leiden tot moeilijk starten.
- Veeg olie die rondom de luchtfilterkap en de ontluchting zit af met een poetsdoek.
- Plaats het filterelement (spons) in het filterelement (vilt). Plaats de filterelementen zodanig in de achterplaat dat de spons aan de kant van de luchtfilterkap zit.
- Plaats de luchtfilterkap onmiddellijk terug en zet hem vast met de bevestigingsbouten. (Plaats bij het monteren eerst de bovenrand en daarna de onderrand.)



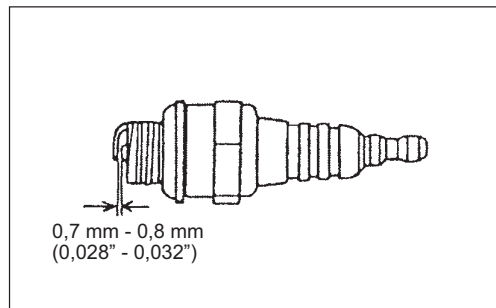
OPMERKING:

- Reinig de luchtfilterelementen meerdere keren per dag als onder extreem stoffige omstandigheden wordt gewerkt. Vervuilde luchtfilterelementen verlagen het motorvermogen en bemoeilijken het starten van de motor.
- Verwijder de olie op de luchtfilterelementen. Als u blijft doorwerken terwijl de luchtfilterelementen vervuild zijn met olie, kan de olie buiten het luchtfilter terechtkomen en tot milieuverontreiniging leiden.
- Plaats de luchtfilterelementen niet op de grond of op een vieze plaats. Er kan dan vuil of rommel aan blijven plakken waardoor de motor kan worden beschadigd.
- Gebruik nooit brandstof om de luchtfilterelementen te reinigen. Ze kunnen door de brandstof worden beschadigd.

DE BOUGIE CONTROLEREN

- Gebruik alleen de bijgeleverde moersleutel om de ontstekingsbougie te verwijderen of te installeren.
- De afstand tussen de twee elektroden van de bougie moet 0,7 tot 0,8 mm (0,028" - 0,032") bedragen. Als de afstand te groot of te klein is, moet u deze aanpassen. Als de elektroden van de bougie verstopt of vervuild zijn, moet u deze grondig schoonmaken of de bougie vervangen.

LET OP: Raak de bougiekap nooit aan terwijl de motor draait (gevaar van elektrische schok door hoogspanning).



HET BRANDSTOFFILTER REINIGEN WAARSCHUWING: STRENG VERBODEN VOOR ONTBRANDBARE MATERIELEN

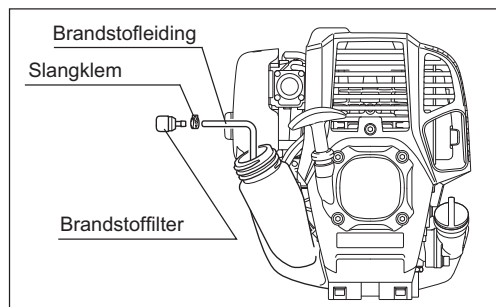
Controle- en reinigingsinterval: Maandelijks (iedere 50 bedrijfsuren)

Zuigkop in brandstoftank

Controleer het brandstoffilter regelmatig. Volg de onderstaande stappen om het brandstoffilter te controleren.

- (1) Verwijder de brandstoftankvuldop en tap de brandstof af totdat de brandstoftank leeg is. Controleer de binnenkant van de brandstoftank op eventuele vreemde stoffen. Als u iets vindt, verwijdert u dit.
- (2) Gebruik een draadhaak om de zuigkop uit de brandstofvulopening te trekken.
- (3) Als het brandstoffilter enigszins verstopt is, reinigt u het. Om het te reinigen, schudt u het en tikt u ertegen in de brandstof. Om beschadiging te voorkomen, knijpt u er niet in en wrijft u er niet over. De brandstof die is gebruikt voor het reinigen moet worden weggegooid volgens de methode beschreven in de regelgeving van uw land.
Als het brandstoffilter hard of ernstig verstopt is, vervangt u het.
- (4) Na het controleren, reinigen of vervangen van het brandstoffilter, duwt u het zo ver mogelijk omlaag tot onderin de brandstoftank.

Een verstopt of beschadigd brandstoffilter kan leiden tot onvoldoende brandstoflevering en minder motorvermogen. Vervang het brandstoffilter ten minste iedere drie maanden om verzekerd te zijn van een goede brandstoflevering naar de carburateur.



DE BRANDSTOFLEIDING VERVANGEN LET OP: STRENG VERBODEN VOOR ONTBRANDBARE MATERIELEN

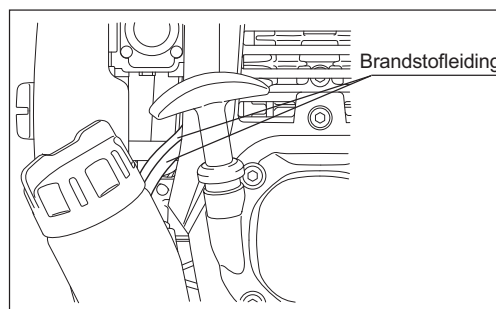
Controle- en reinigingsinterval: Dagelijks (iedere 10 bedrijfsuren)

Vervanging: Jaarlijks (iedere 200 bedrijfsuren)

Vervang de brandstofleiding ieder jaar, ongeacht de gebruiksfrequentie.

Brandstoflekkage kan brand veroorzaken.

Als tijdens de inspectie een lekkage wordt gevonden, vervangt u de brandstofleiding onmiddellijk.



DE BOUTEN, MOEREN EN SCHROEVEN INSPECTEREN

- Draai losse bouten, moeren, enz., weer vast.
- Controleer op brandstof- en olie lekkage.
- Vervang beschadigde onderdelen door nieuwe voor een veilig gebruik.

DE ONDERDELEN REINIGEN

- Houd de motor altijd schoon.
- Houd de koelribben van de cilinder vrij van stof en vuil. Stof en vuil dat zich tussen de koelribben ophoopt, zal leiden tot het vastlopen van de zuiger.

DE AFDICHTINGEN EN PAKKINGEN VERVANGEN

Nadat de motor uit elkaar is gehaald, moeten bij het weer in elkaar zetten altijd de afdichtingen en pakkingen worden vervangen door nieuwe. Alle onderhouds- of aanpassingswerkzaamheden die niet in deze gebruiksaanwijzing zijn beschreven, mogen alleen worden uitgevoerd door erkende servicecentra.

OPSLAG

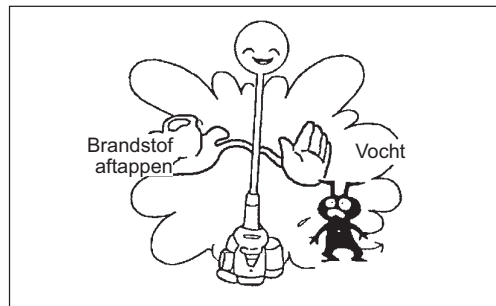


WAARSCHUWING: Controleer of de motor is uitgeschakeld en afgekoeld voordat u begint met het aftappen van de brandstof.
Vlak na het uitschakelen van de motor, is deze nog heet en kan brandwonden, ontbranding en brand veroorzaken.



LET OP: Als het gereedschap gedurende een lange tijd niet gebruikt gaat worden, tapt u alle brandstof uit de brandstoftank en carburateur, en slaat u het op een droge, schone plaats op.

- Tap de brandstof af uit de brandstoftank en carburateur aan de hand van de volgende procedure:
 - 1) Draai de brandstofvuldop eraf en tap de brandstof volledig af. Als een vreemde substantie is achtergebleven in de brandstoftank, verwijdert u deze volledig.
 - 2) Trek met behulp van een draadhaak het brandstoffilter uit de brandstofvulopening.
 - 3) Druk op de brandstofhandpomp totdat de brandstof daaruit en in de brandstoftank stroomt.
 - 4) Plaats het brandstoffilter terug in de brandstoftank en draai de brandstofvuldop stevig vast.
 - 5) Laat de motor vervolgens draaien tot deze afslaat.
- Verwijder de bougie en breng enkele druppels motorolie via het bougiegat in de cilinder.
- Trek voorzichtig aan de trekstarthandgreep zodat de motorolie zich door de motor verspreidt, en monteer daarna de bougie weer.
- Zet de hendel niet in de stand omlaag wanneer geen hulpstuk is bevestigd. Als de hendel in de stand omlaag staat terwijl geen hulpstuk is bevestigd, kan de stang van het hulpstuk niet worden ingestoken.
- Tijdens opslag moet de schacht horizontaal liggen of het gereedschap verticaal geplaatst worden met de aansluiting voor het hulpstuk omhoog gericht. (Let er in dat geval goed op dat het gereedschap niet kan omvallen.) Plaats het gereedschap nooit met de aansluiting voor het hulpstuk omlaag gericht. De smeerolie kan er dan uitvloeien.
- Bewaar de afgetapte brandstof in een speciale jerrycan op een goed geventileerde plaats in de schaduw.



Aandachtspunt na langdurige opslag

- Alvorens de motor na langdurige stilstand opnieuw te starten, moet de olie worden ververs (zie pag. 101). De olie verslechtert terwijl het gereedschap niet in gebruik is.

Storingzoeken

Probleem	Systeem	Waarneming	Oorzaak
Motor start niet of moeilijk	Ontstekingsysteem	Ontstekingsvonk OK	Fout in brandstoftoevoer of compressiesysteem, mechanisch defect
		Geen ontstekingsvonk aanwezig	Stopschakelaar ingeschakeld, bedradingsfout of kortsluiting, bougie of bougiekap defect, ontstekingsmodule defect
	Brandstoftoevoersysteem	Brandstoftank is vol	Onjuiste stand van chokehendel, carburateur defect, brandstofleiding geknikt of verstopt, brandstof vuil
	Compressie	Geen compressie bij aantrekken	Cilindervoetpakking defect, krukasafdichtingen beschadigd, cilinder of zuigerveren defect, of slechte afdichting van bougie
Problemen bij starten van warme motor	Mechanisch defect	Starter grijpt niet aan	Gebroken startveer, gebroken onderdelen binnenin de motor
		Brandstoftank vol, ontstekingsvonk aanwezig	Carburateur is vervuild. Laat deze schoonmaken.
Motor start, maar slat af	Brandstoftoevoersysteem	Brandstoftank is vol	Verkeerde afstelling stationair draaien, carburateur vervuild Ontluchting brandstoftank defect, brandstofleiding niet open, gaskabel of stopschakelaar defect
Onvoldoende prestaties	Mogelijk zijn meerdere systemen tegelijk de oorzaak	Slecht stationair lopen	Luchtfilter is vervuild, carburateur is vervuild, uitlaatdemper is verstopt, uitlaatkanaal in de cilinder is verstopt

Item	Gebruikstijd							Uitschakelen/ rusten	Zie pagina
		Voor gebruik	Na smeren	Dagelijks (10 uur)	30 uur	50 uur	200 uur		
Motorolie	Inspecteren/ reinigen	○							97
	Vervang					○*1			101
Vastdraaien (bouten, moeren, enz.)	Inspecteren	○							103
Brandstoftank	Reinigen/ inspecteren	○							—
	Brandstof aftappen						○*3		104
Gashendel	Werking controleren		○						—
Stopschakelaar	Werking controleren		○						100
Laag toerental	Inspecteren/ afstellen			○					100
Luchtfilter	Reinig			○					102
Bougie	Inspecteren			○					103
Koelluchtinlaatkanaal	Reinigen/ inspecteren			○					103
Brandstofleiding	Inspecteren			○					103
	Vervang						◎*2		—
Brandstoffilter	Reinigen/ vervangen					○			103
Afstand tussen luchtinlaatklep en luchtuitlaatklep	Stel af						◎*2		—
Motor reviseren							◎*2		—
Carburateur	Brandstof aftappen						○*3		104

*1 Eerste keer verversen na 20 bedrijfsuren.

*2 Vraag een erkend servicecentrum of een machinewerkplaats om de inspectie na 200 bedrijfsuren uit te voeren.

*3 Na het aftappen van de brandstoftank, laat u de motor draaien om de brandstof in de carburateur op te gebruiken.

Raadpleeg de gebruiksaanwijzing van elk hulpstuk en voer de onderhoudswerkzaamheden van het hulpstuk uit wanneer dit wordt gebruikt.

PROBLEMEN OPLOSSEN

Alvorens een verzoek voor reparatie in te dienen, controleer u de storing zelf aan de hand van de onderstaande tabel. Als een probleem is gevonden, repareert u het gereedschap aan de hand van de beschrijvingen in deze gebruiksaanwijzing. Probeer nooit enig onderdeel te demonteren of repareren in strijd met de beschrijvingen. Voor reparatie neemt u contact op met een erkend servicecentrum of uw plaatselijke dealer.

Probleemomschrijving	Mogelijke oorzaak (storing)	Oplossing
Motor start niet	De brandstofhandpomp werd niet ingedrukt	Druk deze 7 tot 10 keer in
	Te zwak trekken aan de trekstarthandgreep	Trek krachtig
	Gebrek aan brandstof	Vul brandstof bij
	Verstopt brandstoffilter	Reinig
	Gebroken brandstofleiding	Maak de brandstofleiding recht
	Verslechterde brandstof	De verslechterde brandstof bemoeilijkt het starten. Vervang de brandstof door nieuwe. (Aanbevolen vervangingsinterval: 1 maand)
	Buitensporige toevoer van brandstof	Verander de stand van de gashendel van middelhoog toerental naar hoog toerental en trek aan de trekstarthandgreep tot de motor start. Nadat de motor is gestart, begint het hulpstuk te draaien of bewegen. Let goed op het hulpstuk. Als de motor nog steeds niet start, draait u de bougie eruit, maakt u de elektroden droog, en monteert u de bougie weer. Start vervolgens zoals beschreven.
	Bougiekap ligt eraf	Bevestig stevig
	Vervuilde bougie	Reinig
	Verkeerde elektrodenafstand van bougie	Stel de elektrodenafstand af
	Ander probleem met de bougie	Vervang
	Probleem met de carburateur	Dien een verzoek in voor inspectie en onderhoud
	Trekstarthandgreep kan niet worden getrokken	Dien een verzoek in voor inspectie en onderhoud
Probleem met aandrijving	Dien een verzoek in voor inspectie en onderhoud	
Motor slaat snel af Motortoerental neemt niet toe	Onvoldoende opgewarmd	Warm de motor op
	Chokehendel staat in de dichte stand ondanks dat de motor opgewarmd is	Zet in de geopende stand
	Verstopt brandstoffilter	Reinig of vervang
	Vervuild of verstopt luchtfilter	Reinig
	Probleem met de carburateur	Dien een verzoek in voor inspectie en onderhoud
	Probleem met aandrijving	Dien een verzoek in voor inspectie en onderhoud
Het hulpstuk draait of beweegt niet ↓ Motor slaat onmiddellijk af	Het hulpstuk is niet in de aansluiting bevestigd	Bevestig zoals beschreven
Motorblok trilt abnormaal sterk ↓ Motor slaat onmiddellijk af	Het hulpstuk is niet in de aansluiting bevestigd	Bevestig zoals beschreven
	De hendel staat omlaag	Maak goed vast
	Probleem met aandrijving	Dien een verzoek in voor inspectie en onderhoud
Het hulpstuk stopt niet onmiddellijk ↓ Motor slaat onmiddellijk af	Hoog stationair toerental	Stel af
	Gaskabel losgeraakt	Bevestig stevig
	Probleem met aandrijving	Dien een verzoek in voor inspectie en onderhoud
Motor slaat niet af ↓ Laat de motor stationair draaien en zet de chokehendel in de dichte stand	Stekker losgeraakt	Bevestig stevig
	Probleem met elektrisch systeem	Dien een verzoek in voor inspectie en onderhoud

Als de motor niet start ondanks dat deze opgewarmd is:

Als bij het doorlopen van de controlepunten geen probleem wordt gevonden, zet u de chokehendel ongeveer 1/3 open en start u de motor.

Muchas gracias por comprar el multifuncional MAKITA. Nos complace recomendarle el multifuncional MAKITA, que es el resultado de un largo programa de desarrollo y muchos años de investigación y experiencia. Lea este folleto que explica en detalle los diferentes aspectos que demostrarán su excelente rendimiento. Le ayudará a obtener los mejores resultados posibles del multifuncional MAKITA.



Tabla de contenido	Página
Símbolos.....	107
Instrucciones de seguridad.....	108
Datos técnicos.....	112
Accesorios aprobados.....	113
Denominación de las piezas.....	114
Montaje del asidero.....	115
Montaje del accesorio.....	115
Desmontaje.....	116
Antes del uso.....	117
Manejo correcto de la máquina.....	119
Aspectos del manejo y cómo parar la máquina.....	119
Instrucciones de servicio.....	122
Almacenamiento.....	125

SÍMBOLOS

Cuando lea el manual de instrucciones se encontrará con los siguientes símbolos.

	¡Lea el manual de instrucciones y respete las advertencias y las precauciones de seguridad!		¡Utilice un casco de seguridad y protección para los ojos y oídos!
	¡Preste especial cuidado y atención!		Combustible (Gasolina)
	¡Prohibido!		Encendido manual del motor
	¡No fume!		Parada de emergencia
	¡No la acerque a llamas!		Primeros auxilios
	¡Deben utilizarse guantes protectores!		ENCENDIDO/ARRANQUE
	Utilice botas robustas con suela antideslizante. ¡Se recomienda utilizar botas de seguridad con puntera de acero!		APAGADO/PARADA
	¡Mantenga el área de operaciones libre de personas y animales!		

Uso previsto de la máquina

Este multifuncional se ha diseñado para accionar un accesorio aprobado que se indica en el manual de instrucciones. Nunca utilice la máquina con otra finalidad.

INSTRUCCIONES DE SEGURIDAD

Instrucciones generales

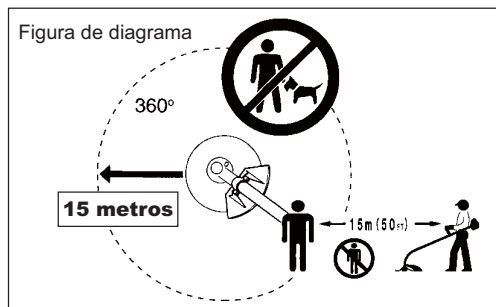
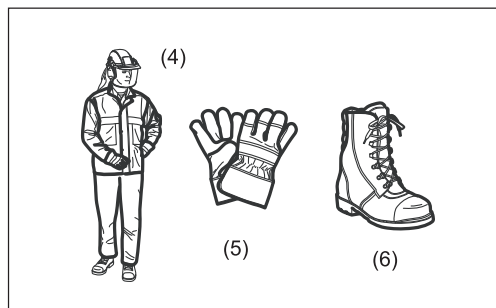
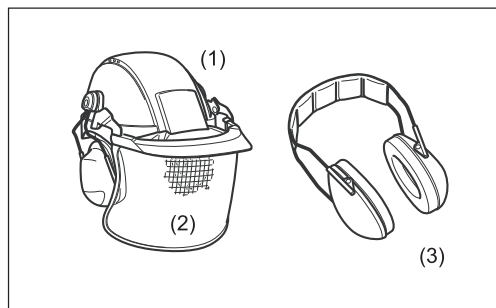
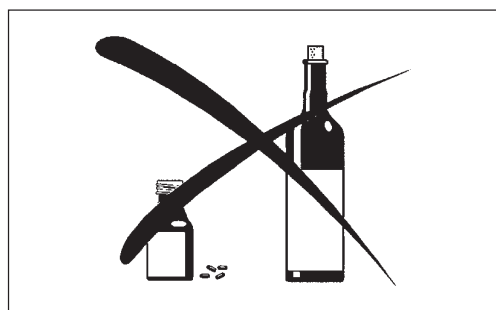
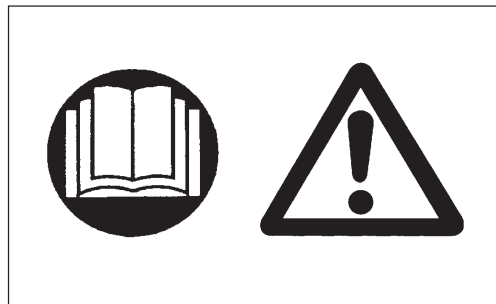
- Para garantizar un uso correcto, el usuario debe leer este manual de instrucciones para familiarizarse con el manejo del multifuncional. Los usuarios con una información insuficiente se pondrán en riesgo a ellos mismos y pondrán en riesgo a otros a causa de un manejo incorrecto.
- Se recomienda dejar el multifuncional solamente a personas que tengan una experiencia demostrable en el uso de multifuncionales. Entregue siempre el manual de instrucciones.
- Los primeros usuarios deben solicitar al distribuidor instrucciones básicas para familiarizarse con el manejo de una cortadora a motor.
- No se debe permitir que los niños y las personas menores de 18 años utilicen el multifuncional. Sin embargo, las personas mayores de 16 años pueden usar el dispositivo con finalidades de formación solamente bajo la supervisión de un instructor cualificado.
- Utilice los multifuncionales con el máximo cuidado y atención.
- Utilice el multifuncional solamente si se encuentra en una buena condición física. Realice todo el trabajo con calma y con cuidado. El usuario tiene que aceptar la responsabilidad hacia otros.
- Nunca utilice el multifuncional tras el consumo de alcohol o medicamentos, o si se encuentra cansado o enfermo.
- Las normativas nacionales pueden restringir el uso de la máquina.

Equipo de protección personal

- Debe llevarse ropa funcional y apropiada, es decir, debe ser ajustada pero sin que sea incómoda. No lleve joyas ni prendas que puedan engancharse en arbustos o maleza.
- Para evitar lesiones en la cabeza, los ojos, las manos o los pies y para proteger los oídos, debe llevarse el siguiente equipo y la siguiente ropa de protección mientras se utiliza el multifuncional.
- Utilice siempre un casco cuando haya riesgo de caída de objetos. Debe comprobarse periódicamente si el casco protector (1) tiene algún daño y se debe sustituir como máximo después de 5 años. Utilice solamente cascos protectores homologados.
- El visor (2) del casco (o, como alternativa, las gafas de seguridad) protege la cara de piedras y objetos que salen despedidos. Durante el manejo del multifuncional utilice gafas de seguridad o un visor para evitar lesiones en los ojos.
- Utilice un equipo de protección acústica adecuado para evitar daños en el oído (protectores de oído (3), tapones para los oídos, etc.).
- Los monos de trabajo (4) protegen contra restos y piedras que puedan salir despedidas. Recomendamos utilizar un mono de trabajo.
- Los guantes especiales (5) de cuero grueso forman parte del equipo obligatorio y siempre deben utilizarse durante las operaciones del multifuncional.
- Cuando utilice el multifuncional, utilice siempre zapatos robustos (6) con una suela que no resbale. De esta manera se protegerá contra lesiones y se asegurará de que los pies estén en una posición firme.

Puesta en marcha del multifuncional

- Asegúrese de que no haya niños u otras personas cerca; asimismo, preste especial atención a los animales que puedan estar cerca de la zona de trabajo.
- Asegúrese de que el accesorio esté correctamente acoplado, que la palanca de control se pueda accionar fácilmente y compruebe el correcto funcionamiento de la palanca de desbloqueo.
- No se puede mover el accesorio mientras funciona en vacío. Consulte los ajustes con su distribuidor en caso de duda. Compruebe que los asideros estén limpios y secos y pruebe el funcionamiento del interruptor de arranque/parada.

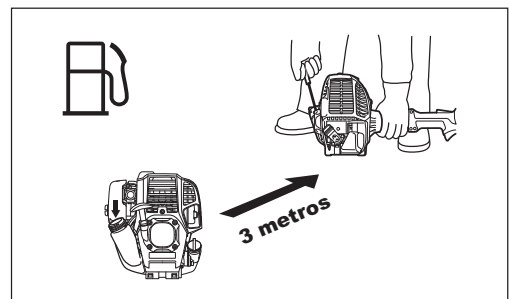
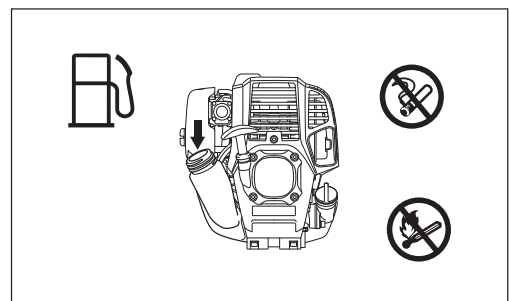
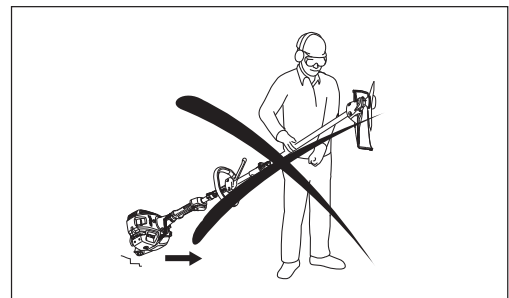
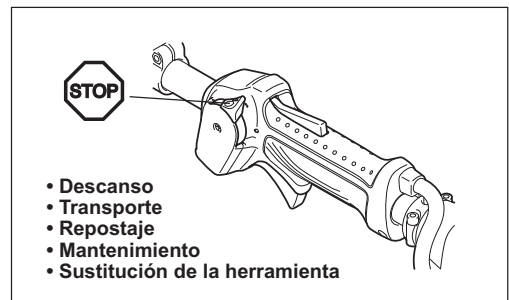
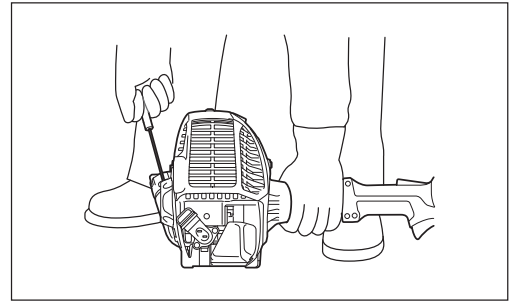


Ponga en marcha el multifuncional únicamente de acuerdo con las instrucciones.

- No utilice ningún otro método para poner en marcha el motor.
- Utilice el multifuncional y las herramientas solamente para las aplicaciones especificadas.
- Ponga en marcha el motor del multifuncional únicamente después de montar todo el conjunto. Solamente se permite utilizar el dispositivo después de conectar todos los accesorios adecuados.
- Antes de la puesta en marcha, asegúrese de que el accesorio no esté en contacto con objetos duros tales como ramas, piedras, etc. ya que el accesorio girará al poner en marcha la máquina.
- El motor se debe apagar inmediatamente si experimenta algún problema.
- Si el accesorio golpea piedras u otros objetos duros, apague el motor inmediatamente e inspecciónelo.
- Utilice el multifuncional únicamente con la correa de hombro instalada, que debe estar correctamente ajustada antes de utilizar el multifuncional. Es muy importante ajustar la correa de hombro de acuerdo con la talla del usuario para evitar la fatiga durante el uso. Nunca sujete la herramienta de corte con una mano durante el uso.
- Durante el uso, sujete siempre el multifuncional con ambas manos. Asegúrese siempre de que sus pies se encuentran en una posición segura.
- Utilice el multifuncional de forma que no inhale los gases de escape. Nunca haga funcionar el motor en lugares cerrados (riesgo de envenenamiento por gas). El monóxido de carbono es un gas inodoro.
- Apague el motor cuando descanse o cuando deje el multifuncional desatendido y colóquelo en una ubicación segura para evitar el peligro para otros o daños en la máquina.
- Nunca coloque el multifuncional sobre hierba seca o materiales combustibles.
- Todas las cubiertas y elementos de protección proporcionados con la máquina se deben utilizar durante las operaciones.
- Nunca utilice el motor con un silenciador de escape defectuoso.
- Apague el motor durante el transporte.
- Durante el transporte en largas distancias siempre se debe utilizar la protección de la herramienta incluida con el equipo.
- Debe garantizar una posición segura del multifuncional durante el transporte en un vehículo para evitar fugas de combustible.
- Cuando transporte el multifuncional, asegúrese de que el depósito de combustible esté completamente vacío.
- Cuando descargue el multifuncional de un camión, nunca deje caer el motor al suelo, ya que se puede dañar gravemente el depósito de combustible.
- Excepto en caso de emergencia, nunca deje caer ni lance el multifuncional hacia el suelo, ya que se puede dañar gravemente.
- No olvide levantar todo el equipo del suelo cuando lo mueva. Arrastrar el depósito de combustible es muy peligroso y causará daños, fugas de combustible y posiblemente un incendio.
- Si el equipo recibe un fuerte impacto o cae, compruebe su estado antes de continuar con el trabajo. Compruebe si hay fugas en el sistema de combustible y si los dispositivos de seguridad funcionan correctamente. Si hay daños o en caso de duda, solicite a nuestro centro de servicio autorizado que realice una inspección y reparación.

Repostaje

- Apague el motor durante el repostaje, manténgase alejado de las llamas y no fume.
- Evite el contacto de la piel con productos de aceite mineral. No inhale el vapor de combustible. Utilice siempre guantes de protección durante el repostaje. Cambie y limpie regularmente la ropa protectora.
- Tenga cuidado de no derramar combustible o aceite para evitar la contaminación del suelo (protección medioambiental). Limpie el multifuncional inmediatamente cuando se haya derramado combustible.
- Evite el contacto del combustible con su ropa. Cambie la ropa inmediatamente si se ha derramado combustible sobre ella (para evitar que la ropa se incendie).
- Inspeccione periódicamente la tapa del depósito de combustible para asegurarse de que se puede apretar firmemente y que no tiene fugas.
- Apriete con cuidado la tapa del depósito de combustible. Cambie de lugar para poner en marcha el motor (como mínimo a 3 metros de distancia del lugar de repostaje).
- Nunca reposte en lugares cerrados. Los vapores de combustible se acumulan a nivel del suelo (riesgo de explosiones).
- El combustible solamente se debe transportar y almacenar en recipientes homologados. Asegúrese de que el combustible almacenado no esté al alcance de los niños.

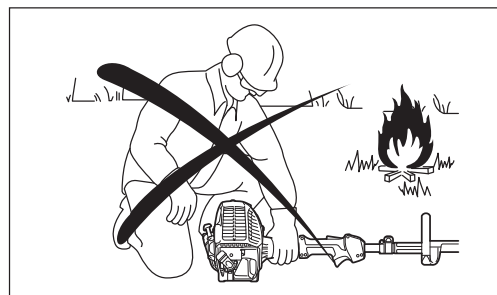


Método de trabajo

- Utilice el multifuncional únicamente con buena luz y visibilidad. Durante el invierno tenga cuidado con las áreas húmedas o resbaladizas, hielo y nieve (riesgo de resbalar). Asegúrese siempre de que sus pies se encuentran en una posición segura.
- No se suba nunca a una escalera mientras utilice el multifuncional.
- No se suba a árboles mientras realice la operación de corte con el multifuncional.
- No trabaje nunca en superficies inestables.
- Antes de utilizar el accesorio, debe haber alcanzado la velocidad de trabajo completa.
- Descanse para evitar la pérdida de control causada por la fatiga. Recomendamos descansar de 10 a 20 minutos cada hora.

Instrucciones de mantenimiento

- Haga que su equipo sea sometido a tareas de mantenimiento en nuestro centro de servicio autorizado, utilizando siempre y de forma exclusiva recambios originales. Una reparación incorrecta y un mantenimiento deficiente pueden acortar la vida útil del equipo y aumentar el riesgo de accidentes.
- Utilice el multifuncional de forma que provoque el menor ruido y contaminación posibles. En concreto, compruebe el ajuste correcto del carburador.
- Limpie el multifuncional periódicamente y compruebe que todos los tornillos y tuercas estén bien apretados.
- Nunca realice trabajos de mantenimiento o almacene el multifuncional en la proximidad de llamas.
- Guarde siempre el multifuncional en habitaciones cerradas con llave y con el depósito de combustible vacío.



Respete las instrucciones aplicables de prevención de accidentes emitidas por las compañías de seguros y las asociaciones comerciales relevantes.

No realice ninguna modificación en el multifuncional, ya que esto pondría en peligro su seguridad.

Los trabajos de mantenimiento o reparación que puede realizar el usuario se limitan a las actividades descritas en este manual de instrucciones. Todos los demás trabajos los realiza un agente de servicio autorizado. Utilice únicamente accesorios y piezas de repuesto genuinos suministrados por MAKITA.

El uso de accesorios y herramientas que no se hayan aprobado implica un mayor riesgo de accidentes.

MAKITA no acepta ninguna responsabilidad por los accidentes o los daños causados por el uso de accesorios no aprobados, por la reparación de los elementos de acoplamiento o accesorios.

Primeros auxilios

En caso de accidente, asegúrese de que cerca del lugar en el que se realicen las operaciones de corte esté disponible un botiquín de primeros auxilios. Reponga inmediatamente cualquier artículo que tome del botiquín de primeros auxilios.

Cuando solicite ayuda, proporcione la siguiente información:

- Lugar del accidente
- Qué ha ocurrido
- Número de personas heridas
- Tipo de lesiones
- Su nombre



Vibración

- Las personas con problemas circulatorios que están expuestas a vibraciones excesivas pueden sufrir lesiones en los vasos sanguíneos o en el sistema nervioso. La vibración puede provocar los siguientes síntomas en los dedos, manos o muñecas: "adormecimiento", hormigueo, dolor, sensación punzante, alteración del color de la piel o de la piel. Si sufre alguno de estos síntomas, acuda a un médico.
- Para reducir el riesgo de "enfermedad de dedos blancos", mantenga las manos calientes durante el uso y realice un buen mantenimiento del equipo y los accesorios.

DECLARACIÓN DE CONFORMIDAD DE LA CE

Nosotros, Makita Corporation, en calidad de fabricante responsable, declaramos que las siguientes máquinas Makita:

Designación de la máquina: Multifuncional
Nº de modelo/ Tipo: EX2650LH
Especificaciones: consulte la tabla "DATOS TÉCNICOS DE EX2650LH"
son de producción serie y

Cumplen con las siguientes Directivas europeas:

2000/14/CE, 2006/42/CE

Y se han fabricado de acuerdo con los siguientes estándares o documentos estandarizados:

EN/ISO11806, EN709, EN/ISO10517, EN/ISO11680, EN/ISO12100

La documentación técnica la conserva:

Makita International Europe Ltd., Technical Department,
Michigan Drive, Tongwell,
Milton Keynes, Bucks MK15 8JD, Inglaterra

El procedimiento de evaluación de conformidad requerido por la Directiva 2000/14/CE se realizó de acuerdo con el anexo V.

EX2650LH con EM400MP (Accesorio para Desbrozadora)

Nivel de potencia sonora medido: 108,5 dB (A)

Nivel de potencia sonora garantizado: 113 dB (A)

EX2650LH con EM401MP (Accesorio para Desbrozadora)

Nivel de potencia sonora medido: 102,7 dB (A)

Nivel de potencia sonora garantizado: 105 dB (A)

EX2650LH con ER400MP (Accesorio para Desbrozadora)

Nivel de potencia sonora medido: 109,2 dB (A)

Nivel de potencia sonora garantizado: 116 dB (A)

EX2650LH con EN400MP (Accesorio para Cortasetos)

Nivel de potencia sonora medido: 103,8 dB (A)

Nivel de potencia sonora garantizado: 109 dB (A)

EX2650LH con EN400MP (Accesorio para Cortasetos) y LE400MP (Extensión del Eje)

Nivel de potencia sonora medido: 104,0 dB (A)

Nivel de potencia sonora garantizado: 106 dB (A)

El número de certificado del examen de tipo CE como sierra de extensión con EY400MP, EY401MP, LE400MP es:

4811004.11016

El examen de tipo CE conforme a 2006/42/CE fue realizado por:

DEKRA Testing and Certification GmbH
Enderstraße 92b
01277 Dresden, Alemania
Nº de identificación 2140

30. 1. 2012



Tomoyasu Kato
Director
Makita Corporation
3-11-8, Sumiyoshi-cho,
Anjo, Aichi, 446-8502, JAPAN

DATOS TÉCNICOS DE EX2650LH

Modelo	EX2650LH	
	Asidero circular	
Dimensiones: largo x ancho x alto (sin cuchilla de corte) con barrera	mm	975 x 323 x 241
Dimensiones: largo x ancho x alto (sin cuchilla de corte) sin barrera	mm	975 x 242 x 241
Peso (sin protector de plástico ni cuchilla de corte)	kg	4,6
Volumen (depósito de combustible)	L	0,6
Volumen (depósito de aceite)	L	0,08
Cilindrada del motor	cm ³	25,4
Potencia máxima del motor	kw	0,77 a 7.000 min ⁻¹
Velocidad del motor a la velocidad máxima recomendada del husillo	min ⁻¹	8.500
Velocidad máxima del husillo (correspondiente)	min ⁻¹	6.500
Consumo máximo de combustible	kg/h	0,33
Consumo máximo de combustible especificado	g/kwh	408
Velocidad de ralentí	min ⁻¹	3.000
Velocidad de acoplamiento de embrague	min ⁻¹	3.900
Carburador	tipo	WALBRO WYL
Sistema de encendido	tipo	Encendido de estado sólido
Bujía	tipo	NGK CMR4A
Separación entre electrodos	mm	0,7 - 0,8
Combustible	Gasolina de automoción	
Aceite de motor	Aceite SAE 10W-30 de Clasificación API, Clase SF o superior (motor de cuatro tiempos para automoción)	

Vibración

Accesorio	Asidero derecho (empuñadura trasera)		Asidero izquierdo (empuñadura delantera)		Normativas aplicables
	a _{hveq} (m/s ²)	Incertidumbre (K) (m/s ²)	a _{hveq} (m/s ²)	Incertidumbre (K) (m/s ²)	
EM400MP	6,5	1,2	5,9	1,8	ISO 22867
EM401MP	5,6	2,1	4,8	1,0	ISO 22867
ER400MP	7,1	2,8	5,5	2,7	ISO 22867
EY400MP	9,4	2,0	4,2	2,0	ISO 22867
EY400MP + LE400MP	4,8	2,0	3,4	2,0	ISO 22867
EY401MP	6,5	2,0	3,8	2,0	ISO 22867
EY401MP + LE400MP	5,6	2,0	3,4	2,0	ISO 22867
EN400MP	8,4	1,8	5,0	0,7	ISO 10517
EN400MP + LE400MP	8,0	1,7	4,3	0,7	ISO 10517
KR400MP	5	1,1	4,4	2,3	ISO 22867
EJ400MP	7,1	1,5	4,9	1,5	ISO 22867
EJ400MP + LE400MP	6,4	0,6	4,0	0,7	ISO 22867

Ruido

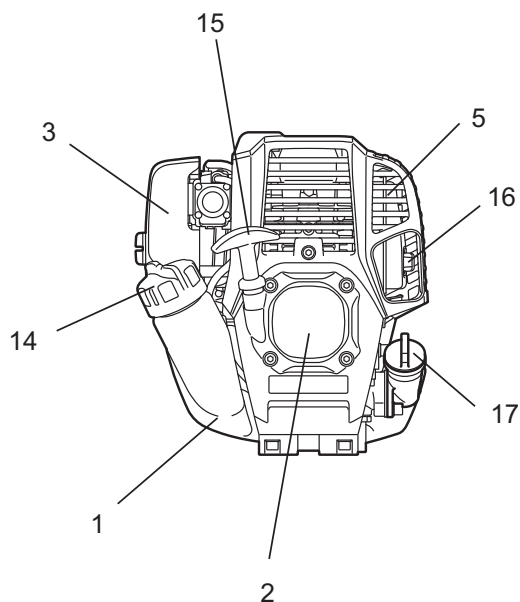
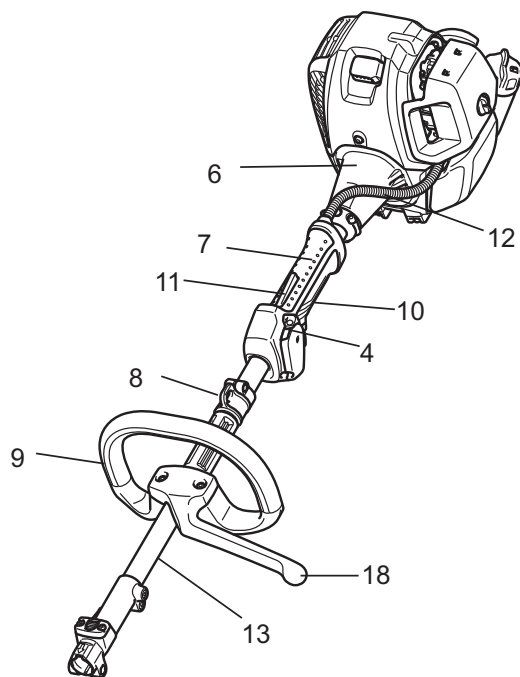
Accesorio	Nivel de presión sonora medio		Nivel de potencia sonora medio		Normativas aplicables
	$L_{PA\ eq}$	Incertidumbre (K)	$L_{WA\ eq}$	Incertidumbre (K)	
EM400MP	95,0	4,4	105,5	3,3	ISO 22868
EM401MP	89,9	3,6	99,7	2,7	ISO 22868
ER400MP	97,9	4,2	106,2	4,0	ISO 22868
EY400MP	93,0	2,5	104,5	2,5	ISO 22868
EY400MP + LE400MP	90,3	2,5	107,8	2,5	ISO 22868
EY401MP	92,6	2,5	104,7	2,5	ISO 22868
EY401MP + LE400MP	90,5	2,5	107,9	2,5	ISO 22868
EN400MP	93,1	4,4	102,9	4,8	ISO 10517
EN400MP + LE400MP	87,8	1,9	103,0	2,0	ISO 10517
KR400MP	93,7	2,6	99,7	1,2	ISO 22868
EJ400MP	89,0	2,3	99,8	1,1	ISO 22868
EJ400MP + LE400MP	88,1	2,2	100,8	2,3	ISO 22868

ACCESORIOS APROBADOS

ACCESORIOS	Modelos
Accesorio para Desbrozadora	EM400MP, EM401MP
Accesorio para Desbrozadora	ER400MP
Accesorio para Sierra de Extensión	EY400MP, EY401MP
Accesorio para Cortasetos	EN400MP
Accesorio para Cultivador	KR400MP
Accesorio para Cosecha de Café	EJ400MP
Extensión del Eje	LE400MP

DENOMINACIÓN DE LAS PIEZAS

EX2650LH



E	DENOMINACIÓN DE LAS PIEZAS
1	Depósito de combustible
2	Arrancador de retroceso
3	Filtro de aire
4	Interruptor I-O (encendido/apagado)
5	Silenciador de escape
6	Caja del embrague
7	Empuñadura trasera
8	Colgador
9	Asidero
10	Palanca de la mariposa de gases
11	Palanca de desbloqueo
12	Cable de control
13	Eje
14	Tapa para el llenado de combustible
15	Empuñadura de arranque
16	Tubo de escape
17	Tapa de aceite
18	Barrera*

Nota: En algunos países la barrera no se proporciona con la herramienta.

MONTAJE DEL ASIDERO

PRECAUCIÓN: Antes de realizar cualquier tipo de trabajo en el multifuncional, detenga siempre el motor y retire el conector de la bujía. Utilice siempre guantes de protección.

PRECAUCIÓN: Ponga en marcha el multifuncional únicamente después de haberlo montado completamente.

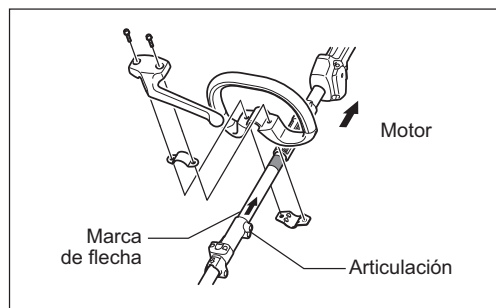


Montaje del asidero circular

- Encaje de forma segura la barrera y la empuñadura en el tubo del eje con dos tornillos y abrazaderas. En ese instante, coloque la barrera en el lado izquierdo de la máquina de acuerdo con la ilustración.
- Asegúrese de que el conjunto de empuñadura/barrera se encuentre entre el separador y la marca de flecha. No retire ni encoja el separador.
- Una vez montada, no retire la barrera.

PRECAUCIÓN: Nunca instale la empuñadura en la etiqueta o la junta.

Nota: En algunos países, la barrera y la marca de flecha no se proporcionan con la herramienta.



MONTAJE DEL ACCESORIO

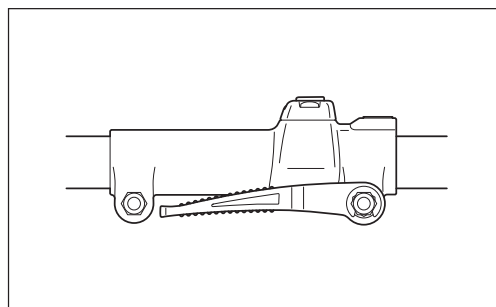
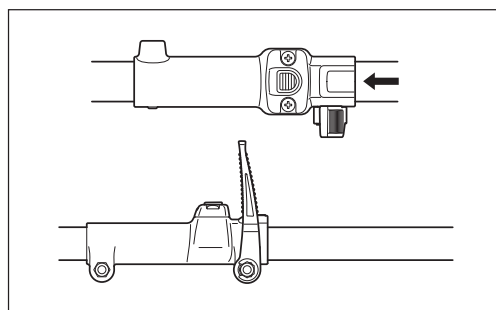
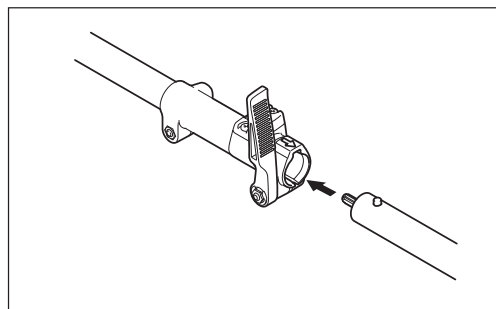
PRECAUCIÓN: Antes de realizar cualquier tipo de trabajo en el multifuncional, detenga siempre el motor y retire el conector de la bujía. Utilice siempre guantes de protección.

PRECAUCIÓN: Ponga en marcha el multifuncional únicamente después de haberlo montado completamente.



Montaje

- Afloje la palanca.
- Alinee el pasador del accesorio con la ranura de la articulación e inserte el pasador.
- Inserte el accesorio hasta la posición de flecha del accesorio. Compruebe que el botón se haya elevado.
- Apriete la palanca.
(Consulte el diagrama de la derecha para obtener instrucciones.)

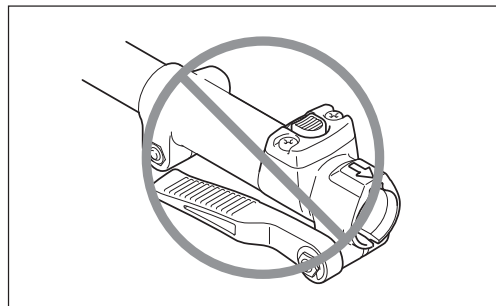
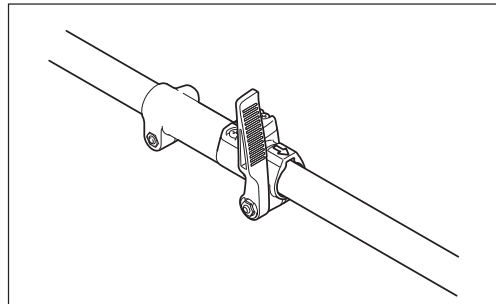


DESMONTAJE

- Afloje la palanca.
- Pulse el botón y extraiga el accesorio.
(En la medida de lo posible, intente extraer el accesorio en línea recta.)

Nota:

- No deje la palanca apretada cuando el accesorio no esté acoplado.



ANTES DEL USO

Inspección y rellenado del aceite de motor

- Realice el siguiente procedimiento con el motor frío.
- Coloque el motor en una posición nivelada, retire la tapa de aceite (Fig. 1) y compruebe si hay aceite en el intervalo entre las marcas de límite superior e inferior del tubo de aceite (Fig. 2).
- Rellene aceite hasta la marca de límite superior si la cantidad de aceite es insuficiente (el nivel de aceite está cerca de la marca de límite inferior) (Fig. 3).
- El área que rodea las marcas externas es transparente, por lo que la cantidad de aceite se puede comprobar sin tener que retirar la tapa de aceite. No obstante, si el tubo de aceite está extremadamente sucio, la visibilidad puede ser nula y el nivel de aceite se tendrá que comprobar con la sección graduada del interior del tubo de aceite.
- Para su referencia, el intervalo de rellenado de aceite es de 10 h (cada 10 repostajes).
Si el aceite cambia de color o se mezcla con suciedad, sustitúyalo con uno nuevo. (Para conocer el intervalo y el método de sustitución, consulte la P 122)

Aceite recomendado: Aceite SAE 10W-30 de Clasificación API, Clase SF o superior (motor de 4 tiempos para automoción)

Volumen de aceite: Aprox. 0,08 L

Nota: Si el motor no se mantiene recto, el aceite puede distribuirse por el motor y el rellenado puede ser excesivo.

Si se rellena aceite por encima del límite, el aceite puede contaminarse o puede prender fuego y provocar un humo blanco.

Punto 1 de la sustitución de aceite: "Tapa de aceite"

- Retire el polvo o la suciedad de alrededor de la abertura de rellenado de aceite y extraiga la tapa de aceite.
- Mantenga la tapa de aceite libre de tierra o suciedad. De lo contrario, la tierra o la suciedad que se adhiera a la tapa de aceite puede causar una circulación irregular de aceite o un desgaste en las piezas del motor, lo que puede provocar problemas.

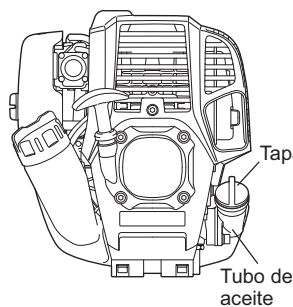


Fig. 1

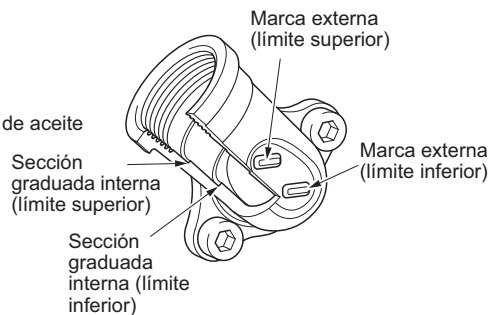


Fig. 2 Tubo de aceite

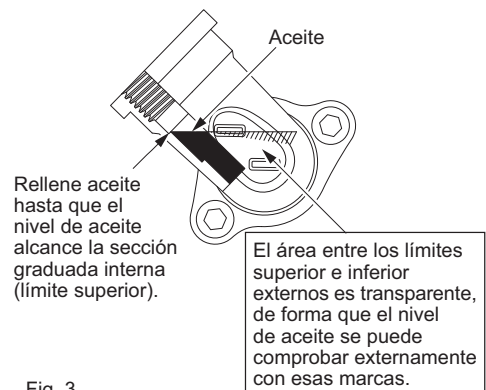
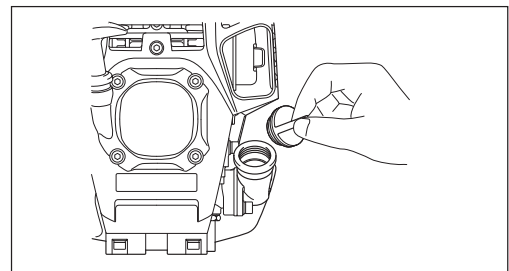
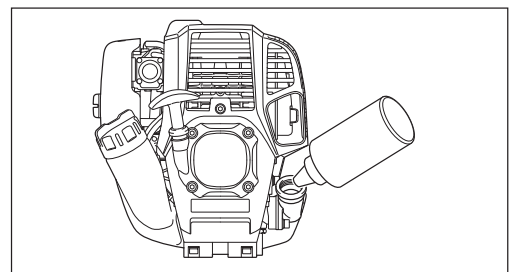


Fig. 3

- (1) Mantenga el motor nivelado y extraiga la tapa de aceite.



- (2) Rellene aceite hasta la marca de límite superior. (consulte la Fig. 3)
Utilice una botella de aceite cuando rellene.



- (3) Apriete firmemente la tapa de aceite. Un apriete insuficiente puede causar fugas de aceite.

Nota

- No rellene aceite con el motor en una posición inclinada.
- Si se rellena aceite con el motor inclinado se producirá un exceso de llenado, que provocará contaminación por aceite y/o humo blanco.

Punto 2 de la sustitución de aceite: “Si se derrama aceite”

- Si se derrama aceite entre el depósito de combustible y la unidad principal del motor, el aceite se succiona a través del puerto de entrada de aire, lo que contaminará el motor. Asegúrese de limpiar el aceite derramado antes de empezar a utilizar la herramienta.

REPOSTAJE

Manejo del combustible

Tenga el máximo cuidado cuando maneje el combustible. El combustible puede contener sustancias similares a los disolventes. Reposte en una habitación bien ventilada o al aire libre. No inhale el vapor de combustible y evite cualquier contacto con el combustible. El contacto prolongado de la piel con estos productos hará que la piel se reseque, lo que puede provocar enfermedades en la piel o alergias. Si el combustible entra en contacto con los ojos, límpielos con agua potable. Si sus ojos siguen irritados, acuda inmediatamente a un médico.

Período de almacenamiento del combustible

El combustible debe utilizarse en un período de 4 semanas, aunque se conserve en un contenedor especial a la sombra en una zona bien ventilada.

Si no se utiliza un contenedor especial o si el contenedor no está a cubierto, el combustible se puede deteriorar en un día.

ALMACENAMIENTO DE LA MÁQUINA Y DEL DEPÓSITO DE RELLENADO

- Mantenga la máquina y el depósito en un lugar fresco alejado de la luz directa del sol.
- No guarde nunca el combustible en el interior de un vehículo o en un maletero.

Combustible

El motor es un motor de cuatro tiempos. Asegúrese de utilizar gasolina de automoción (gasolina normal o gasolina premium).

Observaciones sobre el combustible

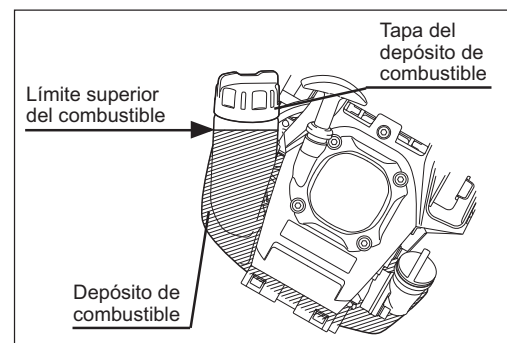
- Nunca utilice una mezcla de gasolina que contenga aceite de motor. De lo contrario, provocará una acumulación excesiva de carbonilla o problemas mecánicos.
- El uso de aceite deteriorado provocará un arranque irregular.

Repostaje

ADVERTENCIA: LOS MATERIALES INFLAMABLES ESTÁN ESTRUCTAMENTE PROHIBIDOS

Gasolina utilizada: Gasolina de automoción (gasolina sin plomo)

- Afloje un poco la tapa del depósito para que no haya ninguna diferencia de presión atmosférica.
- Suelte la tapa del depósito y reposte, descargando el aire inclinando el depósito de combustible de forma que la abertura de repostaje esté orientada hacia arriba. (Nunca rellene combustible en la abertura de relleno de aceite.)
- Limpie bien la periferia de la tapa del depósito de combustible para evitar que entren objetos extraños en el depósito de combustible.
- Tras el repostaje, apriete firmemente la tapa del depósito.
- Si hay defectos o daños en la tapa del depósito, sustitúyala.
- La tapa del depósito es desechable y, por lo tanto, se debe renovar cada dos o tres años.



MANEJO CORRECTO DE LA MÁQUINA

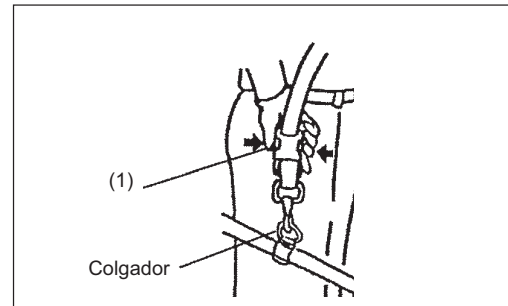
Instalación de la correa para el hombro

- Ajuste la correa a la longitud adecuada para la operación.

Separación

- En caso de emergencia, pulse las muescas (1) de ambos lados y podrá desacoplar la máquina.
Tenga el máximo cuidado para mantener el control de la máquina en ese momento. No permita que la máquina se desvíe hacia usted o hacia cualquiera que se encuentre cerca de usted.

ADVERTENCIA: Si no se mantiene un control completo de la máquina, se pueden causar lesiones corporales graves o la MUERTE.



ASPECTOS DEL MANEJO Y CÓMO PARAR LA MÁQUINA

Respete las normativas de prevención de accidentes aplicables.

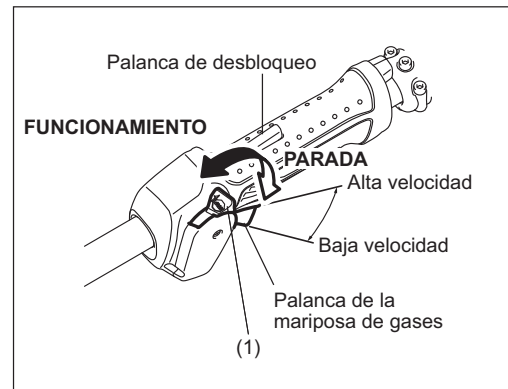


ARRANQUE

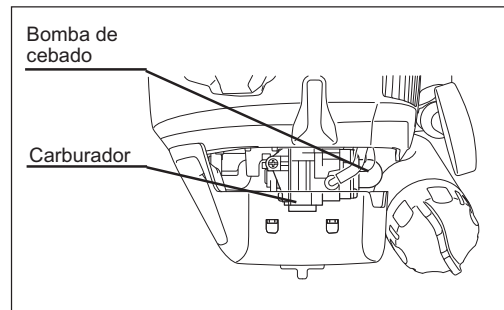
Aléjese 3 m como mínimo del lugar de repostaje. Coloque el multifuncional sobre un lugar despejado, con cuidado de que el accesorio no entre en contacto con el suelo u otros objetos.

A: Arranque en frío

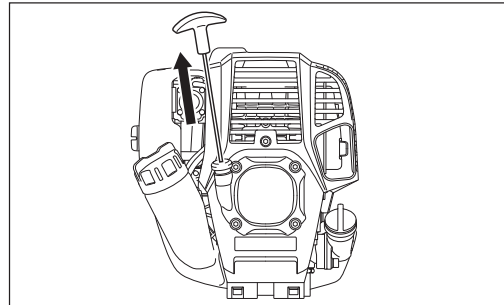
- 1) Coloque la máquina sobre una superficie plana.
- 2) Ajuste el interruptor I-O (1) en FUNCIONAMIENTO.



- 3) Bomba de cebado
Siga accionando la bomba de cebado hasta que el combustible entre en ella.
(En general, el combustible entra en la bomba de cebado con 7 a 10 pulsaciones.)
Si se acciona la bomba de cebado en exceso, el exceso de gasolina vuelve al depósito de combustible.



- 4) Arrancador de retroceso
Tire lentamente de la empuñadura de arranque hasta que note cierta resistencia (punto de compresión). A continuación devuelva la empuñadura de arranque a su posición y tire con fuerza de ella.
Nunca tire por completo de la cuerda de arranque. Cuando haya tirado de la empuñadura de arranque, no la suelte inmediatamente. Sujete la empuñadura de arranque hasta que vuelva a su posición original.
- 5) Operación de calentamiento
Continúe con la operación de calentamiento durante 2 ó 3 minutos.



Nota: Si se produce una entrada excesiva de combustible, extraiga la bujía y tire lentamente de la empuñadura de arranque para eliminar el exceso de combustible. Asimismo, seque la sección del electrodo de la bujía.

Precaución durante el funcionamiento:

Si la palanca de la mariposa de gases se abre completamente durante el funcionamiento sin carga, las revoluciones del motor aumentan por encima de las 10.000 min⁻¹ o más. Nunca haga funcionar el motor a una velocidad superior a la necesaria y mantenga las revoluciones a una velocidad aproximada de 6.000 - 8.500 min⁻¹.

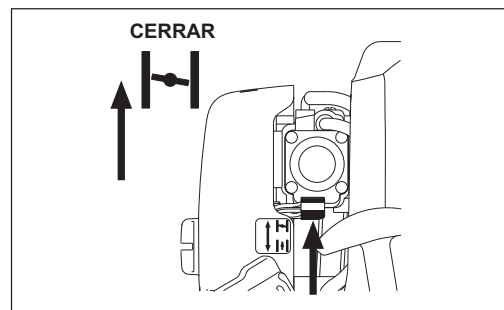
B: Arranque después de la operación de calentamiento

- 1) Pulse la bomba de cebado repetidamente.
- 2) Mantenga la palanca de la mariposa de gases en la posición de ralentí.
- 3) Tire del arrancador de retroceso con fuerza.
- 4) Si resulta difícil arrancar el motor, abra la mariposa de gases 1/3.
Preste atención al accesorio, que puede girar.

En ocasiones, como en invierno, cuando resulte difícil poner en marcha el motor

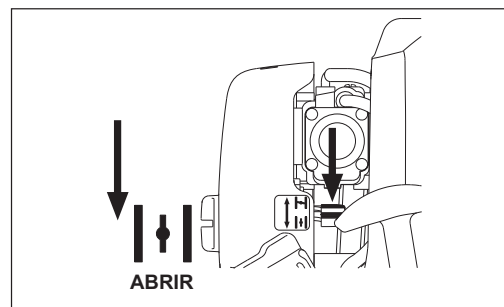
Utilice la palanca del estrangulador con el siguiente procedimiento cuando ponga en marcha el motor.

- Tras aplicar los pasos de arranque 1) a 3), ajuste la posición de la palanca de bloqueo en CERRAR.
- Aplique el paso de arranque 4) y ponga en marcha el motor.
- Cuando haya puesto en marcha el motor, ajuste la palanca del estrangulador en la posición ABRIR.
- Aplique el paso 5) de arranque y complete el calentamiento.



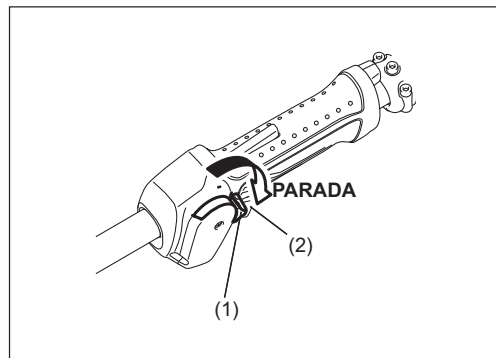
PRECAUCIÓN: Si se oye un estallido (sonido de explosión) y el motor se detiene, o el motor que se acaba de poner en marcha se cala antes de accionar la palanca del estrangulador, devuelva la palanca del estrangulador a la posición ABRIR y tire de la empuñadura de arranque unas cuantas veces para poner en marcha el motor.

PRECAUCIÓN: Si la palanca del estrangulador se coloca en la posición CERRAR y se tira repetidamente de la empuñadura de arranque, se succionará demasiado combustible y el motor tendrá dificultades para ponerse en marcha.



PARADA

- 1) Suelte la palanca de la mariposa de gases (2) completamente y, cuando se hayan reducido las rpm del motor, ajuste el interruptor I-O en la posición "PARADA" para detener el motor.
- 2) Tenga en cuenta que es posible que el accesorio no se detenga inmediatamente y permita que reduzca su velocidad hasta detenerse.

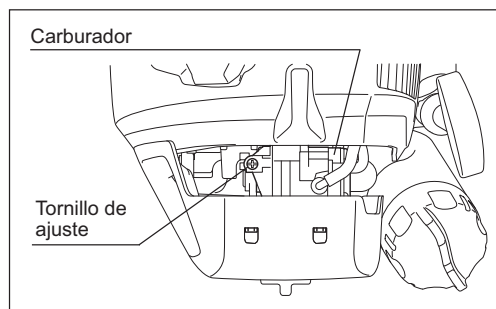


AJUSTE DE LA ROTACIÓN DE BAJA VELOCIDAD (RALENTÍ)

Cuando sea necesario ajustar la rotación a baja velocidad (ralentí), hágalo mediante el tornillo de ajuste del carburador.

COMPROBACIÓN DE LA ROTACIÓN A BAJA VELOCIDAD

- Ajuste la velocidad de giro en vacío en 3.000 min^{-1} .
Si resulta necesario cambiar la velocidad de giro, regule el tornillo de ajuste (se muestra en la ilustración de la derecha), con un destornillador Phillips.
- Gire el tornillo de ajuste hacia la derecha y la velocidad de giro del motor aumentará.
Gire el tornillo de ajuste hacia la izquierda y se reducirá la rotación del motor.
- El carburador se suele ajustar antes del envío. Si se debe reajustar, póngase en contacto con un agente de servicio autorizado.



INSTRUCCIONES DE SERVICIO

PRECAUCIÓN: Antes de realizar cualquier tipo de trabajo en el multifuncional, detenga siempre el motor y retire el capuchón de la bujía (consulte "Comprobación de la bujía").
Utilice siempre guantes protectores.
Nunca utilice gasolina, benceno, disolvente, alcohol o un producto similar. Se puede provocar una decoloración, una deformación o grietas.

Para garantizar una larga vida útil y para evitar daños en el equipo, realice las siguientes operaciones de mantenimiento periódicamente.

Inspección diaria y mantenimiento

- Antes de la puesta en funcionamiento, compruebe la máquina por si tiene tornillos flojos o si faltan piezas. Preste especial atención a un accesorio especificado para su montaje en un lugar de forma segura.
- Antes del uso, compruebe que los conductos de aire y las aletas del cilindro no se hayan obstruido. Límpielos si es necesario.
- Realice los siguientes trabajos tras el uso diario:
 - Limpie el multifuncional externamente y compruebe si hay daños.
 - Limpie el filtro de aire. Cuando trabaje en condiciones extremas de polvo, limpie el filtro varias veces al día.
 - Compruebe que haya una diferencia suficiente entre la velocidad de ralentí y la velocidad de acoplamiento para garantizar que el accesorio esté detenido mientras el motor está al ralentí (si es necesario, reduzca la velocidad de ralentí). Si a velocidad de ralentí la herramienta sigue funcionando, consulte con su Agente de servicio autorizado más próximo.
- Compruebe el funcionamiento del interruptor I-O, la palanca de desbloqueo y la palanca de control.

SUSTITUCIÓN DEL ACEITE DEL MOTOR

El aceite de motor deteriorado acortará en gran medida la duración de las partes deslizantes y giratorias. Asegúrese de comprobar el período y la cantidad de reemplazo.



ATENCIÓN: En general, la unidad principal del motor y el aceite de motor permanecen calientes después de apagar el motor. Al reemplazar el aceite, compruebe que la unidad principal del motor y el aceite de motor se hayan enfriado suficientemente. De lo contrario, puede haber un riesgo de quemaduras.

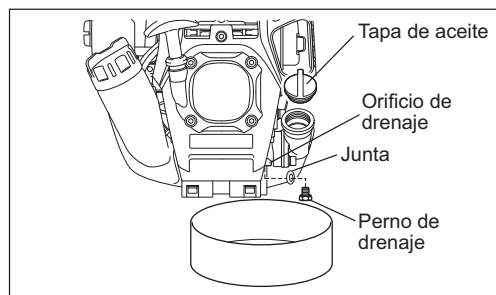
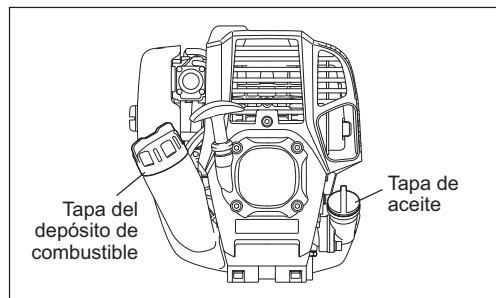
Nota: Si se llena aceite por encima del límite, puede contaminarse o incendiarse y provocar un humo blanco.

Intervalo de reemplazo: Inicialmente cada 20 horas de uso y posteriormente cada 50 horas de uso

Aceite recomendado: Aceite SAE10W-30 de Clasificación API Clase SF o superior (aceite de motor de 4 tiempos para automoción)

Para el reemplazo, siga este procedimiento.

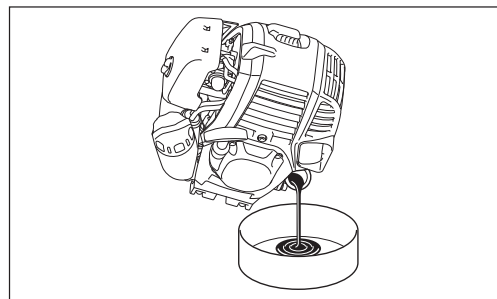
- 1) Compruebe que la tapa del depósito de combustible esté apretada de forma segura.
- 2) Coloque un contenedor grande (bandeja, etc.) debajo del orificio de drenaje.
- 3) Retire el perno de drenaje y después retire la tapa de aceite para drenar el aceite a través del orificio de drenaje. En este paso, asegúrese de no perder la junta del perno de drenaje y no ensucie ninguno de los componentes retirados.
- 4) Cuando se haya drenado todo el aceite, monte la junta en el perno de drenaje y apriete firmemente el perno de drenaje para que no se afloje y no provoque fugas.
* Utilice un paño para limpiar el aceite que se pueda haber adherido al perno y al equipo.



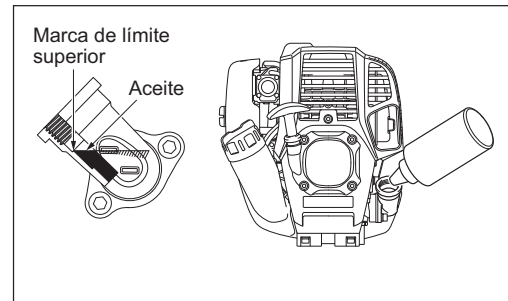
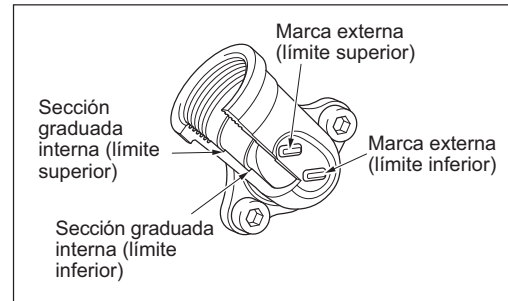
Método de drenaje alternativo

Retire la tapa de aceite, incline el multifuncional hacia el orificio de rellenado de aceite y drene el aceite.

Recoja el aceite en el contenedor.



- 5) Coloque el motor en una posición nivelada y rellene gradualmente hasta la marca de límite superior con aceite nuevo.
- 6) Tras el llenado, apriete firmemente la tapa de aceite para que no se afloje y no tenga fugas.
Si la tapa de aceite no se aprieta firmemente, puede tener fugas.



ASPECTOS SOBRE EL ACEITE

- Nunca deseche el motor de aceite reemplazado en la basura convencional, en el suelo o en la red de alcantarillado. La eliminación de los desechos de aceite está regulada por ley. Para eliminar esos desechos, siga las leyes y normativas aplicables. Si tiene alguna duda, póngase en contacto con un agente de servicio autorizado.
- El aceite se deteriorará aunque se guarde sin utilizar. Realice la inspección y el reemplazo a intervalos periódicos (reemplace con aceite nuevo cada 6 meses).

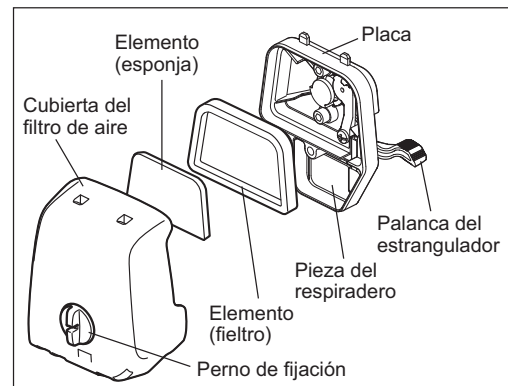
LIMPIEZA DEL FILTRO DE AIRE



PELIGRO: LOS MATERIALES INFLAMABLES ESTÁN ESTRUCTAMENTE PROHIBIDOS

Intervalo de limpieza e inspección: Diariamente (cada 10 horas de uso)

- Gire la palanca del estrangulador hasta el lado de cierre total y mantenga el carburador alejado del polvo o de la suciedad.
- Afloje el perno de fijación.
- Retire la cubierta del filtro de aire tirando de su lado inferior.
- Retire los elementos y golpéelos suavemente para eliminar la suciedad.
- Si los elementos están muy contaminados:
Retire los elementos, sumérgalos en agua templada o en agua con detergente neutro diluido y séquelos completamente. No los apriete ni los frote cuando los limpie.
- Antes de acoplar los elementos, asegúrese de secarlos completamente. Un secado insuficiente de los elementos puede dificultar la puesta en marcha.
- Retire el aceite adherido alrededor de la cubierta del filtro de aire y la parte del conducto de ventilación con un paño desechable.
- Encaje el elemento (esponja) en el elemento (filtro).
- Encaje los elementos en la placa de forma que la esponja mire hacia la cubierta del filtro de aire.
- Acople inmediatamente la cubierta del filtro y apriétela con los pernos de fijación. (Cuando realice el montaje, coloque primero la pinza superior y después la pinza inferior.)



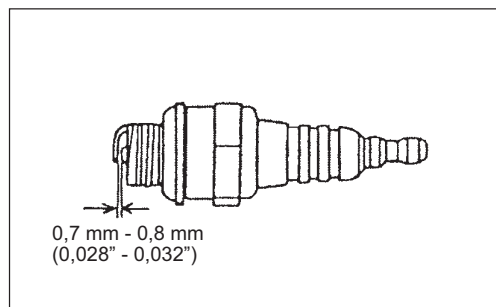
AVISO:

- Limpie los elementos varias veces al día, si se adhiere un exceso de suciedad. Los elementos sucios reducen la potencia del motor y dificultan la puesta en marcha del motor.
- Retire el aceite de los elementos. Si se continúa con las operaciones con los elementos sucios de aceite, el aceite del filtro de aire puede caer fuera y provocar una contaminación del medio ambiente.
- No coloque los elementos en el suelo o en un lugar sucio. De lo contrario, acumularán suciedad y el motor se puede dañar.
- Nunca utilice combustible para limpiar los elementos. El combustible los puede dañar.

COMPROBACIÓN DE LA BUJÍA

- Utilice solamente la llave de vaso suministrada para quitar o poner la bujía.
- La holgura entre los dos electrodos de la bujía debe ser de 0,7- 0,8 mm (0,028" - 0,032"). Si la holgura es demasiado grande o pequeña, ajústela. Si la bujía está obstruida o contaminada, límpiela minuciosamente o reemplácela.

PRECAUCIÓN: Nunca toque el conector de la bujía mientras el motor está funcionando (peligro de recibir una descarga eléctrica de alta tensión).



LIMPIEZA DEL FILTRO DE COMBUSTIBLE

ADVERTENCIA: LOS MATERIALES INFLAMABLES ESTÁN ESTRUCTAMENTE PROHIBIDOS

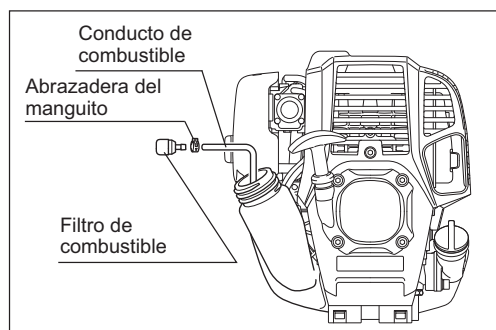
Intervalo de limpieza e inspección: Mensualmente (cada 50 horas de uso)

Cabezal de succión en el depósito de combustible

Compruebe el filtro de combustible periódicamente. Para comprobar el filtro de combustible, siga estos pasos.

- (1) Retire la tapa del depósito de combustible y drene el combustible hasta vaciar el depósito. Compruebe si hay materiales extraños en el interior del depósito. Si los hubiera, retírelos.
- (2) Extraiga el cabezal de succión mediante un gancho de alambre a través de la apertura del depósito.
- (3) Si el filtro de combustible está ligeramente obstruido, límpielo. Para limpiarlo, sacúdalo y golpéelo suavemente en combustible. Para evitar daños, no lo apriete ni lo frote. El combustible que se utiliza para la limpieza se debe desechar de acuerdo con el método especificado por la legislación de su país. Si el filtro de combustible se ha endurecido o está muy obstruido, sustitúyalo.
- (4) Tras comprobarlo, limpiarlo o sustituirlo, empuje el filtro de combustible completamente hasta el fondo del depósito de combustible.

Un filtro de combustible obstruido o dañado puede provocar un suministro insuficiente de combustible y puede reducir la potencia del motor. Sustituya el filtro de combustible como mínimo trimestralmente para garantizar un suministro de combustible satisfactorio al carburador.



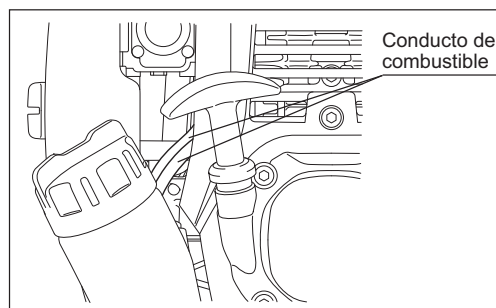
REEMPLAZO DEL CONDUCTO DE COMBUSTIBLE

PRECAUCIÓN: LOS MATERIALES INFLAMABLES ESTÁN ESTRUCTAMENTE PROHIBIDOS

Intervalo de limpieza e inspección: Diariamente (cada 10 horas de uso)

Reemplazo: Anualmente (cada 200 horas de uso)

Reemplace el conducto de combustible cada año, independientemente de la frecuencia de utilización. La fuga de combustible puede provocar un incendio. Si se detecta una fuga durante la inspección, reemplace el conducto de combustible inmediatamente.



INSPECCIÓN DE LOS PERNOS, LAS TUERCAS Y LOS TORNILLOS

- Reapriete los pernos, tuercas, etc. flojos.
- Compruebe si hay fugas de combustible y aceite.
- Reemplace las piezas dañadas con piezas nuevas para garantizar un uso seguro.

LIMPIEZA DE LAS PIEZAS

- Mantenga el motor siempre limpio.
- Mantenga las aletas del cilindro libres de polvo o suciedad. El polvo o la suciedad adheridos a las aletas provocarán el gripado del pistón.

REEMPLAZO DE LAS JUNTAS Y RETENES

Cuando vuelva a montar el motor tras desmontarlo, asegúrese de reemplazar las juntas y los retenes por unos nuevos.

Cualquier mantenimiento o trabajo de ajuste que no se describa en este manual solamente deben realizarlo agentes de servicio autorizados.

ALMACENAMIENTO

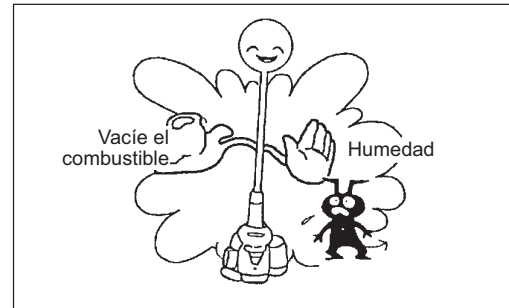


ADVERTENCIA: Cuando drene el combustible, asegúrese de que el motor se haya detenido y compruebe si se ha enfriado. Justo después de detener el motor, aún puede estar caliente, con la posibilidad de que se produzcan quemaduras, e incendios.



ATENCIÓN: Cuando la herramienta no se vaya a usar durante mucho tiempo, drene todo el combustible del depósito de combustible y el carburador y manténgalo en un lugar seco y limpio.

- Drene el combustible del depósito de combustible y del carburador de acuerdo con el siguiente procedimiento:
 - 1) Retire la tapa del depósito de combustible y drene el combustible completamente. Si queda algún objeto extraño en el depósito de combustible, retírelo.
 - 2) Extraiga el filtro de combustible por el puerto de relleno utilizando un alambre.
 - 3) Presione la bomba de cebado hasta que se haya drenado el combustible y drene el combustible que sale del depósito de combustible.
 - 4) Vuelva a colocar el filtro en el depósito de combustible y fije firmemente la tapa del depósito de combustible.
 - 5) A continuación, continúe con la máquina encendida hasta que el motor se detenga.
- Extraiga la bujía y aplique varias gotas de aceite de motor a través del orificio de la bujía.
- Tire suavemente de la empuñadura de arranque para que el aceite de motor se extienda por el motor y, a continuación, vuelva a colocar la bujía.
- No mueva la palanca hasta la posición de bloqueo cuando no esté montando el accesorio.
La palanca en la posición de bloqueo sin el accesorio que se monta no permite el acoplamiento del eje de pértiga.
- Durante el almacenamiento, mantenga la barra en posición horizontal o mantenga la máquina en posición vertical con el borde de la articulación orientado hacia arriba. (En ese caso, preste especial atención para evitar que la máquina caiga.)
No almacene nunca la máquina con la articulación orientada hacia abajo. Puede derramarse aceite de lubricación.
- Mantenga el combustible drenado en un contenedor especial en una zona a la sombra y bien ventilada.



Atención tras un almacenamiento prolongado

- Antes de poner en marcha la herramienta tras estar apagada durante un período de tiempo prolongado, asegúrese de reemplazar el aceite (consulte la P 122). El aceite se deteriorará durante el tiempo que la máquina haya permanecido sin utilizar.

Localización de averías

Avería	Sistema	Observación	Causa
El motor no se enciende o lo hace con dificultad	Sistema de encendido	Chispa de encendido correcta	Avería en el sistema de suministro de combustible o compresión, defecto mecánico
		No hay chispa de encendido	Se ha utilizado el interruptor de PARADA, avería del cableado o cortocircuito, bujía o conector defectuoso, módulo de encendido defectuoso
	Suministro de combustible	Depósito de combustible lleno	Posición incorrecta del estrangulador, carburador defectuoso, línea de suministro de combustible doblada o bloqueada, combustible sucio
Problemas de arranque en caliente	Compresión	No hay compresión	La junta inferior del cilindro es defectuosa, los retenes del cigüeñal están dañados, el cilindro o los segmentos del pistón están dañados o el sellado de la bujía es incorrecto
	Avería mecánica	El arrancador no funciona	Muelle del arrancador roto, piezas rotas dentro del motor
El motor arranca pero se para	Suministro de combustible	Depósito lleno, se produce la chispa de encendido	Carburador contaminado, limpio
Rendimiento insuficiente	Varios sistemas pueden verse afectados simultáneamente	Depósito lleno	Ajuste del ralenti incorrecto, carburador sucio
		Bajo ralenti del motor	Ventilación del depósito de combustible defectuosa, línea de suministro de combustible interrumpida, cable o interruptor de PARADA defectuoso
			Filtro de aire sucio, carburador sucio, silenciador obstruido, conducto de escape del cilindro obstruido

Tiempo de funcionamiento		Antes del uso	Después de la lubricación	Diariamente (10 h)	30 h	50 h	200 h	Apagado/descanso	P correspondiente
Elemento									
Aceite de motor	Inspeccione/limpie	○							118
	Debe sustituirse					○*1			122
Apretar piezas (perno, tuerca)	Inspeccione	○							124
Depósito de combustible	Limpiar/inspeccione	○							—
	Vacíe el combustible							○*3	125
Palanca de la mariposa de gases	Compruebe el funcionamiento		○						—
Interruptor de parada	Compruebe el funcionamiento		○						121
Rotación a baja velocidad	Inspeccione/ajuste			○					121
Filtro de aire	Debe limpiarse			○					123
Bujía	Inspeccione			○					124
Conducto de aire de refrigeración	Limpiar/inspeccione			○					124
Conducto de combustible	Inspeccione			○					124
	Debe sustituirse						◎*2		—
Filtro de combustible	Limpiar/Reemplace					○			124
Holgura entre la válvula de entrada de aire y la válvula de descarga de aire	Ajuste						◎*2		—
Revisión del motor							◎*2		—
Carburador	Vacíe el combustible							○*3	125

*1 Realice el reemplazo inicial tras 20 horas de uso.

*2 Para la inspección de 200 horas de uso, consulte con un agente de servicio autorizado o su tienda de maquinaria.

*3 Tras vaciar el depósito de combustible, siga haciendo funcionar el motor y drene el combustible del carburador.

Consulte el manual de instrucciones de cada accesorio y realice su mantenimiento cuando se utilicen.

LOCALIZACIÓN Y SOLUCIÓN DE AVERÍAS

Antes de realizar una solicitud de reparación, compruebe usted mismo el problema. Si encuentra una anomalía, controle la máquina de acuerdo con la descripción de este manual. Nunca manipule ni desmonte ninguna pieza de forma contraria a la descripción. Si es necesario realizar reparaciones, póngase en contacto con un agente de servicio autorizado o un distribuidor local.

Estado anómalo	Causa probable (mal funcionamiento)	Solución
El motor no se enciende	No se ha accionado la bomba de cebado	Púlsela de 7 a 10 veces
	Se ha tirado del cable del arrancador a baja velocidad	Tire con fuerza
	Falta de combustible	Reposte combustible
	Filtro de combustible obstruido	Debe limpiarse
	Tubo de combustible roto	Enderece el tubo de combustible
	Combustible deteriorado	El combustible deteriorado hace que la puesta en marcha sea más difícil. Reemplácelo con uno nuevo. (Reemplazo recomendado: 1 mes)
	Succión de combustible excesiva	Ajuste la palanca de la mariposa de gases entre una velocidad media y alta y tire de la empuñadura de arranque hasta que se ponga en marcha el motor. Cuando el motor se ponga en marcha, el accesorio empezará a girar o a moverse. Preste especial atención al accesorio. Si el motor sigue sin encenderse, extraiga la bujía, seque el electrodo y vuelva a montarla en su posición original. A continuación, arranque como se ha especificado.
	Tapa de la bujía suelta	Acóplelo firmemente
	Bujía sucia	Debe limpiarse
	Holgura anómala de la bujía	Ajústela
	Otras anomalías de la bujía	Debe sustituirse
	Anomalía del carburador	Solicite que se realice la inspección y mantenimiento.
	No se puede tirar de la cuerda del arrancador	Solicite que se realice la inspección y mantenimiento.
Anomalía del sistema de transmisión	Solicite que se realice la inspección y mantenimiento.	
El motor se para al poco tiempo La velocidad del motor no aumenta	Calentamiento insuficiente	Realice la operación de calentamiento
	La palanca del estrangulador está ajustada en "CERRAR" aunque el motor se ha calentado.	Ajústela en "ABRIR"
	Filtro de combustible obstruido	Debe limpiarse o sustituirse
	Filtro de aire sucio u obstruido	Debe limpiarse
	Anomalía del carburador	Solicite que se realice la inspección y mantenimiento.
	Anomalía del sistema de transmisión	Solicite que se realice la inspección y mantenimiento.
El accesorio no gira o no se mueve ↓ Pare el motor inmediatamente	El accesorio no se ha insertado en el punto especificado.	Insértelo de acuerdo con las instrucciones.
	Anomalía del sistema de transmisión	Solicite que se realice la inspección y mantenimiento.
La unidad principal vibra de forma anómala ↓ Pare el motor inmediatamente	El accesorio no se ha insertado en el punto especificado.	Insértelo de acuerdo con las instrucciones.
	Palanca floja	Apriétela firmemente.
	Anomalía del sistema de transmisión	Solicite que se realice la inspección y mantenimiento.
El accesorio no se detiene inmediatamente ↓ Pare el motor inmediatamente	Rotación al ralentí elevada	Ajuste
	Se ha soltado el cable de la mariposa de gases	Acóplelo firmemente
	Anomalía del sistema de transmisión	Solicite que se realice la inspección y mantenimiento.
El motor no se para ↓ Haga funcionar el motor al ralentí y ajuste la palanca de la mariposa de gases en CERRAR	Conector desconectado	Acóplelo firmemente
	Anomalía del sistema eléctrico	Solicite que se realice la inspección y mantenimiento.

Cuando el motor no se ponga en marcha tras la operación de calentamiento:

Si no hay ninguna anomalía en los elementos comprobados, abra la mariposa de gases 1/3 y ponga en marcha el motor.

Obrigado por ter adquirido a Multifuncional a Gasolina MAKITA. Temos o orgulho de recomendar a Multifuncional a Gasolina MAKITA que é o resultado dos nossos muitos anos de conhecimento, experiência e um programa de desenvolvimento detalhado.
















Leia esta brochura cuidadosamente que se refere em pormenor aos vários pontos que irão demonstrar o fantástico desempenho. Isto irá ajudá-lo a obter os melhores resultados possíveis da sua Multifuncional a Gasolina MAKITA.



Índice	Página
Símbolos.....	128
Instruções de segurança	129
Dados técnicos.....	133
Implementos aprovados	134
Designação de peças.....	135
Montagem da pega.....	136
Instalar implemento	136
Desmontagem	137
Antes de iniciar o funcionamento	138
Manuseamento correcto da máquina	140
Pontos sobre o funcionamento e como parar.....	140
Instruções de serviço.....	143
Armazenamento	146

SÍMBOLOS

Tome atenção aos seguintes símbolos ao ler o manual de instruções.

	Leia o manual de instruções e siga os avisos e as precauções de segurança!		Use um capacete e protecção para os olhos e ouvidos!
	Tenha um cuidado e atenção especiais!		Combustível (Gasolina)
	Proibido!		Arranque manual do motor
	Proibido fumar!		Paragem de emergência
	Sem chamas abertas!		Primeiros-socorros
	Deve utilizar luvas de protecção!		LIGAR/ARRANCAR
	Use botas resistentes com solas não derrapantes. Recomenda-se a utilização de botas de segurança com biqueira de aço!		DESLIGAR/PARAR
	Mantenha a área de funcionamento livre de pessoas e animais!		

Utilização pretendida da máquina

Esta multifuncional a gasolina destina-se a aparafusar um implemento aprovado listado neste manual de instruções. Nunca utilize a máquina para outra finalidade.

INSTRUÇÕES DE SEGURANÇA

Instruções gerais

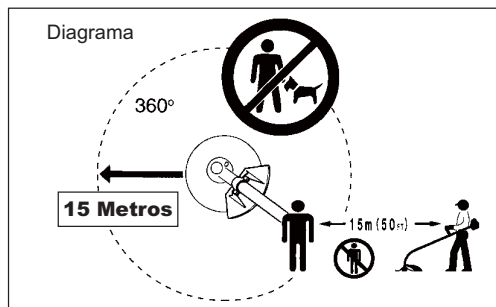
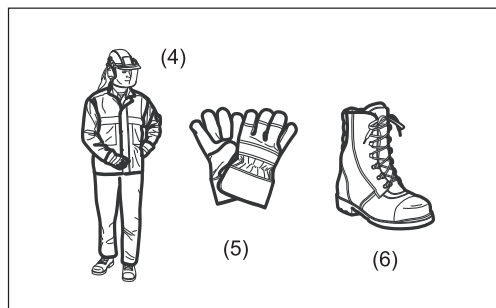
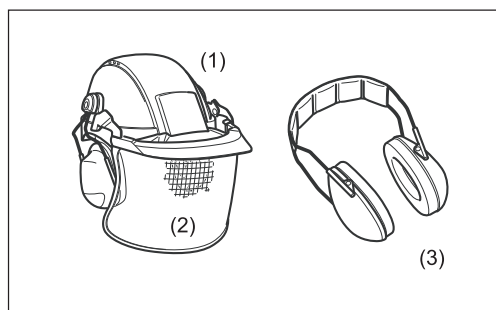
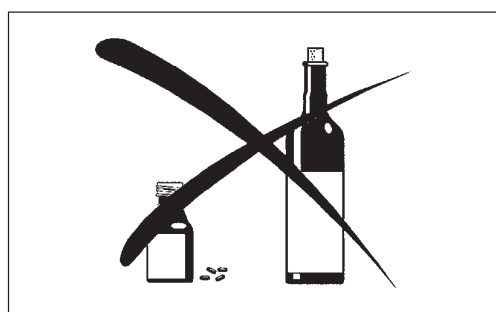
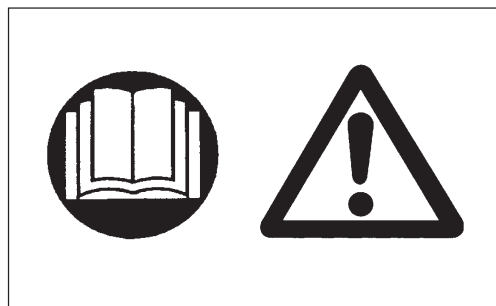
- Para assegurar um funcionamento correcto, certifique-se de que lê e entende este manual de instruções para saber como se utiliza a Multifuncional a Gasolina. Utilizar este equipamento sem entender como operá-lo correctamente pode resultar em ferimentos graves em si ou em outros.
- É aconselhável emprestar apenas a Multifuncional a Gasolina a pessoas com experiência com Multifuncionais a Gasolina. Entregue sempre o manual de instruções.
- Os utilizadores inexperientes devem solicitar instruções básicas ao concessionário para se familiarizarem com o manuseamento de uma roçadeira a gasolina.
- As crianças e os jovens com menos de 18 anos não podem utilizar a Multifuncional a Gasolina. No entanto, as pessoas com mais de 16 anos podem utilizar o dispositivo para fins de formação sob a supervisão de um formador qualificado.
- Utilize as Multifuncionais a Gasolina com o máximo de cuidado e atenção.
- Utilize a Multifuncional a Gasolina apenas se se encontrar em boas condições físicas. Efectue todos os trabalhos com calma e cuidado. O utilizador é responsável pelos outros.
- Nunca utilize a Multifuncional a Gasolina após consumir álcool e drogas ou se estiver cansado ou doente.
- As regulamentações nacionais podem proibir a utilização da máquina.

Equipamento de protecção pessoal

- Utilize sempre roupas que sejam funcionais e apropriadas ao seu trabalho, isto é, que fiquem justas mas não demasiado apertadas ao ponto de causar um movimento desconfortável. Não utilize joalheria ou roupas que possam ficar presas nos arbustos.
- Para evitar ferimentos na cabeça, olhos, mãos ou pés, assim como para proteger a sua audição, deve utilizar o seguinte equipamento e roupa de protecção durante o funcionamento da Multifuncional a Gasolina.
- Utilize um capacete sempre que existir risco de queda de objectos. Deve verificar regularmente se existem danos no capacete protector (1) e deve substituí-lo, no mínimo, após 5 anos. Utilize apenas capacetes protectores aprovados.
- O visor (2) do capacete (ou óculos, em alternativa) protege a face de resíduos e pedras. Durante o funcionamento da Multifuncional a Gasolina, utilize sempre óculos ou um visor para evitar ferimentos oculares.
- Use equipamento de protecção contra ruído adequado para evitar deficiências auditivas (protector auditivo (3), tampões para os ouvidos etc.).
- O fato de macaco (4) protege das pedras e detritos projectados. É altamente aconselhável o utilizador usar fato de macaco.
- As luvas especiais (5) de pele fazem parte do equipamento prescrito e devem ser sempre utilizadas durante a utilização da Multifuncional a Gasolina.
- Ao utilizar Multifuncional a Gasolina, use sempre calçado robusto (6) com sola anti-derrapante. Estes sapatos protegem contra ferimentos e asseguram um bom apoio.

Ligar a Multifuncional a Gasolina

- Certifique-se de que não existem crianças ou outras pessoas, tome também atenção a quaisquer animais que se encontrem na zona de trabalho.
- Certifique-se de que o implemento está bem instalado, de que a alavanca de controlo funciona bem assim como a alavanca de bloqueio.
- O movimento do implemento durante a marcha lenta é proibido. Consulte o seu revendedor se achar que o equipamento pode precisar de ajustes. Certifique-se de que as pegas estão limpas e secas e de que o botão de arranque/paragem está a funcionar correctamente.

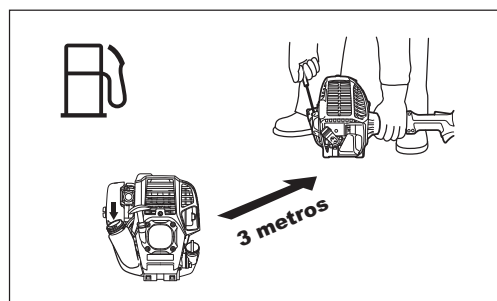
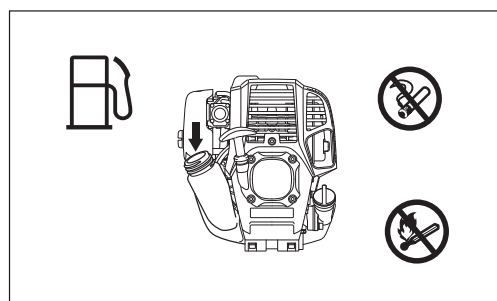
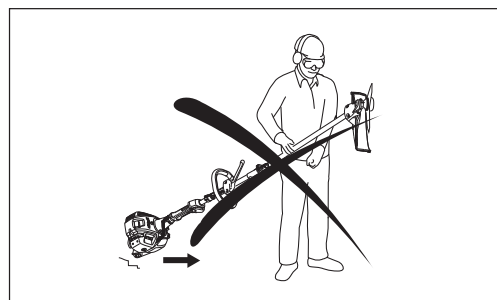
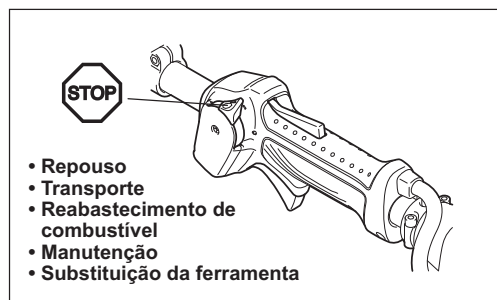
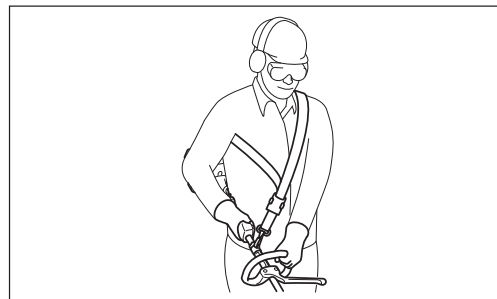
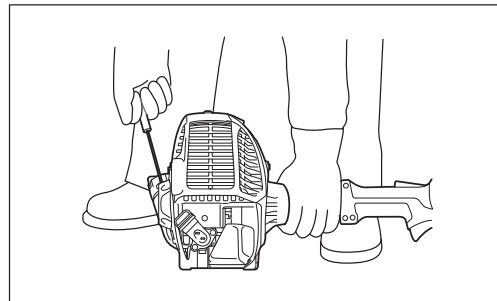


Ligue a Multifuncional a Gasolina em conformidade com as instruções.

- Não utilize outros métodos para arrancar o motor!
- Utilize a Multifuncional a Gasolina e as ferramentas apenas nas aplicações especificadas.
- Ligue o motor da Multifuncional a Gasolina apenas após a conclusão da montagem. Não opere o equipamento até que todos os acessórios apropriados estejam fixos!
- Antes de arrancar, certifique-se de que o implemento não está em contacto com objectos duros como ramos, pedras etc., uma vez que o implemento irá rodar ao arrancar.
- Desligue o motor imediatamente se ocorrer algum tipo de problema no motor.
- Caso o implemento atinja pedras ou outros objectos duros, desligue imediatamente o motor e inspecione o implemento.
- Utilize apenas a Multifuncional a Gasolina com a alça do ombro instalada que deve ser correctamente ajustada antes de colocar a Multifuncional a Gasolina em funcionamento. A alça do ombro deve estar ajustada ao tamanho do utilizador para evitar fadiga durante o manuseamento do equipamento. Nunca segure a roçadeira com uma mão durante a utilização.
- Durante o funcionamento, segure sempre a Multifuncional a Gasolina com ambas as mãos. Certifique-se sempre de que tem um apoio seguro.
- Utilize a Multifuncional a Gasolina de modo a evitar a inalação de gases de escape. Nunca arranque o motor num espaço fechado (risco de envenenamento por gás). O monóxido de carbono é um gás inodoro.
- Desligue o motor quando descansar e quando abandonar a Multifuncional a Gasolina e coloque-a num local seguro para evitar perigos para as pessoas e danos na máquina.
- Nunca coloque a Multifuncional a Gasolina sobre relva seca ou em materiais combustíveis.
- Todas as instalações e resguardos de protecção fornecidos com a máquina têm de ser utilizados durante o funcionamento.
- Nunca utilize o motor com um silenciador de escape defeituoso.
- Desligue o motor durante o transporte.
- Durante o transporte de longas distâncias, a protecção de ferramenta incluída com o equipamento tem de ser sempre utilizada.
- Coloque a Multifuncional a Gasolina numa posição segura durante o transporte para evitar fugas de combustível.
- Ao transportar a Multifuncional a Gasolina, certifique-se de que o depósito de combustível está completamente vazio.
- Ao descarregar a Multifuncional a Gasolina do camião, nunca deixe o motor cair uma vez que isto pode danificar severamente o depósito de combustível.
- Excepto em caso de emergência, nunca deixe cair nem atire a Multifuncional a Gasolina ao chão uma vez que isto pode danificá-la gravemente.
- Lembre-se de levantar todo o equipamento do chão ao movê-lo. Arrastar o equipamento no seu depósito de tanque é muito perigoso e pode causar uma fuga de combustível, o que pode resultar num incêndio.
- Se o equipamento sofrer um impacto ou queda, verifique o seu estado antes de continuar a trabalhar. Verifique o sistema de combustível por fugas de combustível e os comandos e dispositivos de segurança por avarias. Se existirem danos ou dúvidas, solicite o nosso centro de assistência autorizado para a inspecção e reparação.

Reabastecimento de combustível

- Desligue o motor durante o reabastecimento de combustível, mantenha-se longe das chamas abertas e não fume.
- Certifique-se de que produtos de óleo mineral não entram em contacto com a pele. Não inale o vapor do combustível. Use sempre luvas protectoras durante o reabastecimento. Mude e limpe a roupa protectora em intervalos regulares.
- Para evitar contaminação do solo (protecção ambiental), certifique-se de que não derrama combustível ou óleo no chão. Limpe imediatamente a Multifuncional a Gasolina após um derrame de combustível.
- Certifique-se de que o combustível não entra em contacto com as roupas. Se o combustível entrar em contacto com as suas roupas, mude essas roupas imediatamente (para evitar um incêndio).
- Inspecione o tampão do depósito em intervalos regulares para se certificar de que está bem seguro e não pinga.
- Aperte, com cuidado, a tampa do depósito de combustível. Mude de local para arrancar o motor (pelo menos a 3 metros de distância de onde reabasteceu).
- Nunca reabasteça num espaço fechado. Os vapores de combustível acumulam ao nível do solo (risco de explosões).
- Transporte e armazene o combustível apenas em recipientes aprovados. Certifique-se de que o combustível armazenado não é acessível a crianças.

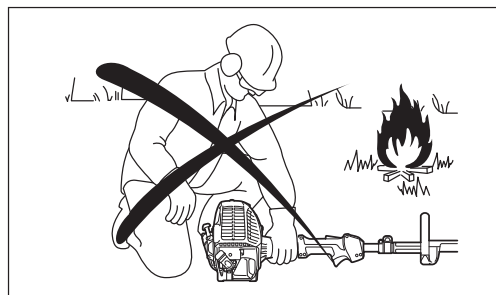


Método de funcionamento

- Utilize apenas a Multifuncional a Gasolina em condições com boa luz e visibilidade. Durante a época de Inverno, tenha cuidado com áreas escorregadias ou molhadas, gelo e neve (risco de escorregar). Certifique-se sempre de que tem um apoio seguro.
- Nunca utilize a Multifuncional a Gasolina em cima de uma escada.
- Nunca trepe árvores para efectuar uma operação de corte com a Multifuncional a Gasolina.
- Nunca trabalhe em superfícies instáveis.
- Antes de utilizar o implemento, este deve estar à velocidade máxima.
- Descanse para evitar a perda de controlo causada pela fadiga. É aconselhável descansar 10 a 20 minutos por cada hora.

Instruções de manutenção

- Solicite o nosso centro de assistência autorizado para efectuar a manutenção do equipamento, utilizando sempre peças de reposição genuínas. Uma reparação incorrecta e uma manutenção fraca podem encurtar a vida útil do equipamento e aumentar o risco de acidentes.
- Utilize a Multifuncional a Gasolina com o mínimo de ruído e contaminação possíveis. Em particular, verifique se o carburador está devidamente instalado.
- Limpe a Multifuncional a Gasolina em intervalos regulares e certifique-se de que todos os parafusos estão bem apertados.
- Nunca opere ou guarde a Multifuncional a Gasolina nas proximidades de chamas ardentes.
- Guarde sempre a Multifuncional a Gasolina em salas fechadas e com um depósito de combustível esvaziado.



Observe as instruções de prevenção de acidentes relevantes emitidas pelas associações comerciais relevantes e companhias de seguros. Não efectue quaisquer modificações na Multifuncional a Gasolina pois isto estará a comprometer a sua segurança.

O desempenho do trabalho de manutenção ou reparação pelo utilizador é limitado às actividades descritas no manual de instruções. O resto do trabalho deverá ser efectuado por um Agente de Serviço Autorizado. Utilize apenas partes sobressalentes genuínas e acessórios lançados e fornecidos pela MAKITA.

Utilizar acessórios e ferramentas não aprovados provocará um risco maior de acidentes.

A MAKITA não aceitará qualquer responsabilização por acidentes ou danos provocados pela utilização de implementos não aprovados e dispositivos de fixação de implementos ou acessórios.

Primeiros-socorros

Em caso de acidente, certifique-se de que uma caixa de primeiros socorros está disponível nas proximidades das operações de corte. Substitua imediatamente qualquer item retirado da caixa de primeiros socorros.

Ao pedir ajuda, forneça a seguinte informação:

- Local do acidente
- O que aconteceu?
- Número de pessoas feridas
- Tipo de ferimentos
- O seu nome



Vibração

- As pessoas com má circulação que sejam expostas a vibrações excessivas podem sofrer ferimentos nos vasos sanguíneos ou no sistema nervoso. As vibrações podem causar os seguintes sintomas nos dedos, mãos ou pulsos: "Adormecimento" (falta de sensação), formiguelo, dor, sensação de picadas, alteração da cor da pele ou da própria pele. Se ocorrer qualquer um destes sintomas, consulte um médico!
- Para reduzir o risco de "doença de Raynaud", mantenha as suas mãos quentes durante a operação e tenha sempre o equipamento e os acessórios limpos.

DECLARAÇÃO DE CONFORMIDADE CE

Nós, a Makita Corporation, como fabricante responsável, declaramos que as máquinas Makita seguintes:

Designação da máquina: Multifuncional a Gasolina
N.º de modelo/Tipo: EX2650LH
Especificações: consulte a tabela "DADOS TÉCNICOS EX2650LH"
são de produção em série e

Está em conformidade com as directivas europeias seguintes:

2000/14/EC, 2006/42/EC

E são fabricadas de acordo com as normas e documentos padronizados seguintes:

EN/ISO11806, EN709, EN/ISO10517, EN/ISO11680, EN/ISO12100

A documentação técnica é mantida por:

Makita International Europe Ltd., Technical Department,
Michigan Drive, Tongwell,
Milton Keynes, Bucks MK15 8JD, Inglaterra

O procedimento de avaliação da conformidade requisitado pela Directiva 2000/14/EC estava em conformidade com o anexo V

EX2650LH com EM400MP (Implemento Roçadeira)

Nível de potência sonora medida: 108,5 dB (A)

Nível de potência sonora garantida: 113 dB (A)

EX2650LH com EM401MP (Implemento Roçadeira)

Nível de potência sonora medida: 102,7 dB (A)

Nível de potência sonora garantida: 105 dB (A)

EX2650LH com ER400MP (Implemento Aparador de Grama)

Nível de potência sonora medida: 109,2 dB (A)

Nível de potência sonora garantida: 116 dB (A)

EX2650LH com EN400MP (Implemento Aparador de Cerca Viva)

Nível de potência sonora medida: 103,8 dB (A)

Nível de potência sonora garantida: 109 dB (A)

EX2650LH com EN400MP (Implemento Aparador de Cerca Viva) e LE400MP (Extensão do Tubo)

Nível de potência sonora medida: 104,0 dB (A)

Nível de potência sonora garantida: 106 dB (A)

O N.º do certificado de exame tipo EC como uma extensão da serra com EY400MP, EY401MP, LE400MP é:

4811004.11016

O exame tipo EC de acordo com a 2006/42/EC foi efectuado por:

DEKRA Testing and Certification GmbH
Enderstraße 92b
01277 Dresden, Alemanha
N.º de identificação 2140

30. 1. 2012



Tomoyasu Kato
Director
Makita Corporation
3-11-8, Sumiyoshi-cho,
Anjo, Aichi, 446-8502, JAPAN

DADOS TÉCNICOS EX2650LH

Modelo	EX2650LH	
	Pega fechada	
Dimensões: comprimento x largura x altura (sem a lâmina de corte) com barreira	mm	975 x 323 x 241
Dimensões: comprimento x largura x altura (sem a lâmina de corte) sem barreira	mm	975 x 242 x 241
Massa (sem resguardo de plástico e lâmina de corte)	kg	4,6
Volume (depósito de combustível)	L	0,6
Volume (depósito de óleo)	L	0,08
Deslocamento do motor	cm ³	25,4
Desempenho máximo do motor	kw	0,77 a 7.000 min ⁻¹
Velocidade do motor a velocidade de rotação máxima recomendada	min ⁻¹	8.500
Velocidade de rotação máxima (correspondente)	min ⁻¹	6.500
Máximo consumo de combustível	kg/h	0,33
Máximo consumo de combustível específico	g/kwh	408
Velocidade em marcha lenta	min ⁻¹	3.000
Velocidade da embraiagem	min ⁻¹	3.900
Carburador	tipo	WALBRO WYL
Sistema de ignição	tipo	Ignição de estado sólido
Vela de ignição	tipo	NGK CMR4A
Separação de eléctrodos	mm	0,7 - 0,8
Combustível		Gasolina
Óleo do motor		Óleo 10W-30 SAE de classificação API, Classe SF ou superior (motor a 4 tempos para automóvel)

Vibração

Implemento	Pega direita (cabo traseiro)		Pega esquerda (cabo dianteiro)		Padrões aplicáveis
	$a_{hv\ eq}$ (m/s ²)	Incerteza K (m/s ²)	$a_{hv\ eq}$ (m/s ²)	Incerteza K (m/s ²)	
EM400MP	6,5	1,2	5,9	1,8	ISO 22867
EM401MP	5,6	2,1	4,8	1,0	ISO 22867
ER400MP	7,1	2,8	5,5	2,7	ISO 22867
EY400MP	9,4	2,0	4,2	2,0	ISO 22867
EY400MP + LE400MP	4,8	2,0	3,4	2,0	ISO 22867
EY401MP	6,5	2,0	3,8	2,0	ISO 22867
EY401MP + LE400MP	5,6	2,0	3,4	2,0	ISO 22867
EN400MP	8,4	1,8	5,0	0,7	ISO 10517
EN400MP + LE400MP	8,0	1,7	4,3	0,7	ISO 10517
KR400MP	5	1,1	4,4	2,3	ISO 22867
EJ400MP	7,1	1,5	4,9	1,5	ISO 22867
EJ400MP + LE400MP	6,4	0,6	4,0	0,7	ISO 22867

Ruído

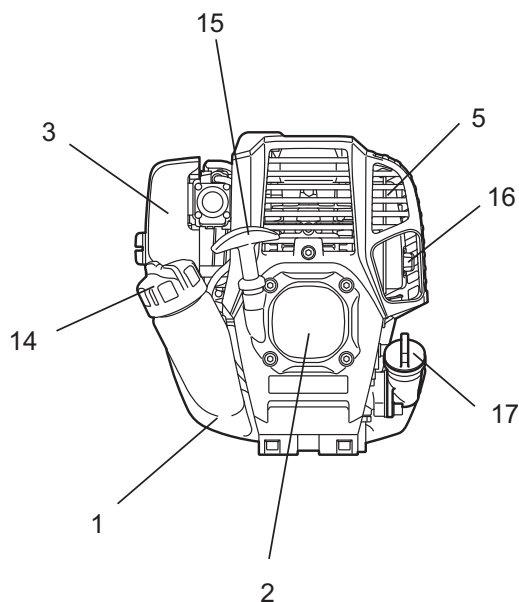
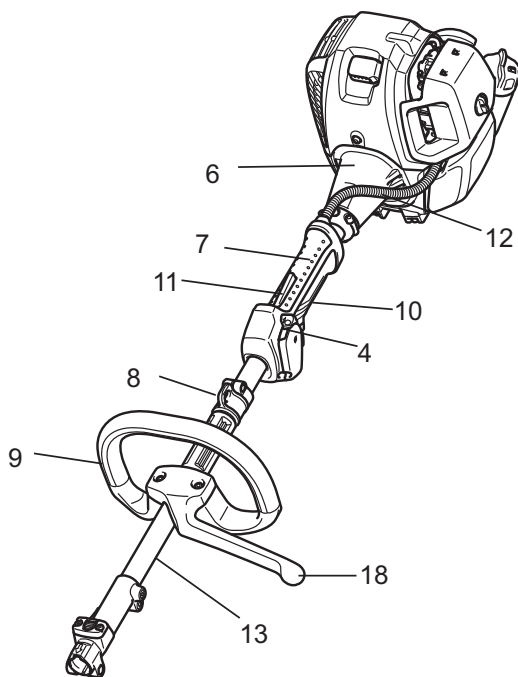
Implemento	Média do nível de pressão sonora		Média do nível de potência sonora		Padrões aplicáveis
	$L_{PA,eq}$	Incerteza K	$L_{WA,eq}$	Incerteza K	
EM400MP	95,0	4,4	105,5	3,3	ISO 22868
EM401MP	89,9	3,6	99,7	2,7	ISO 22868
ER400MP	97,9	4,2	106,2	4,0	ISO 22868
EY400MP	93,0	2,5	104,5	2,5	ISO 22868
EY400MP + LE400MP	90,3	2,5	107,8	2,5	ISO 22868
EY401MP	92,6	2,5	104,7	2,5	ISO 22868
EY401MP + LE400MP	90,5	2,5	107,9	2,5	ISO 22868
EN400MP	93,1	4,4	102,9	4,8	ISO 10517
EN400MP + LE400MP	87,8	1,9	103,0	2,0	ISO 10517
KR400MP	93,7	2,6	99,7	1,2	ISO 22868
EJ400MP	89,0	2,3	99,8	1,1	ISO 22868
EJ400MP + LE400MP	88,1	2,2	100,8	2,3	ISO 22868

IMPLEMENTOS APROVADOS

IMPLEMENTOS	Modelos
Implemento Roçadeira	EM400MP, EM401MP
Implemento Aparador de Grama	ER400MP
Implemento Podador	EY400MP, EY401MP
Implemento Aparador de Cerca Viva	EN400MP
Implemento Cultivador	KR400MP
Implemento Derriçador	EJ400MP
Extensão do Tubo	LE400MP

DESIGNAÇÃO DE PEÇAS

EX2650LH



P	DESIGNAÇÃO DE PEÇAS
1	Depósito de combustível
2	Arrancador de rebobinamento
3	Filtro
4	Botão I-O (ligar/desligar)
5	Silenciador de escape
6	Embraiagem
7	Cabo traseiro
8	Gancho
9	Pega
10	Alavanca do acelerador
11	Alavanca de bloqueio
12	Cabo de controlo
13	Veio
14	Tampa do abastecedor de combustível
15	Manípulo do dispositivo de arranque
16	Tubo de escape
17	Tampão de óleo
18	Barreira*

Nota: Em determinados países, a barreira não é fornecida com a ferramenta.

MONTAGEM DA PEGA

PRECAUÇÃO: Antes de efectuar qualquer trabalho na Multifuncional a Gasolina, desligue sempre a máquina e retire o conector da vela de ignição da vela de ignição.
Use sempre luvas de protecção!

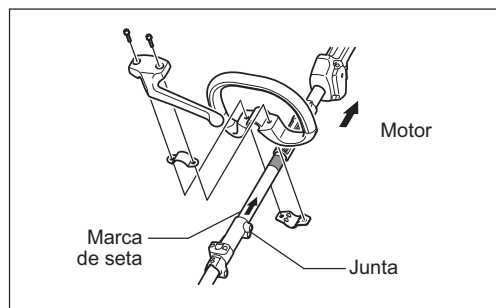
PRECAUÇÃO: Ligue a Multifuncional a Gasolina após a montagem completa.

Montar pega fechada

- Instale bem a barreira e a pega no tubo do veio com dois parafusos e grampos. Depois, coloque a barreira no lado esquerdo da máquina, conforme ilustrado.
- Certifique-se de que o conjunto pega/barreira está situado entre o espaçador e a marca de seta. Não remova nem encurte o espaçador.
- Após a montagem, não remova a barreira.

PRECAUÇÃO: Nunca instale a pega na etiqueta ou junta.

Nota: Em determinados países, a barreira e a marca de seta não são fornecidas com a ferramenta.



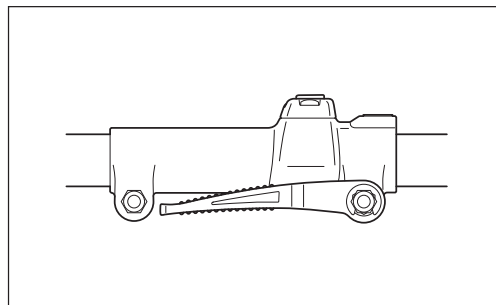
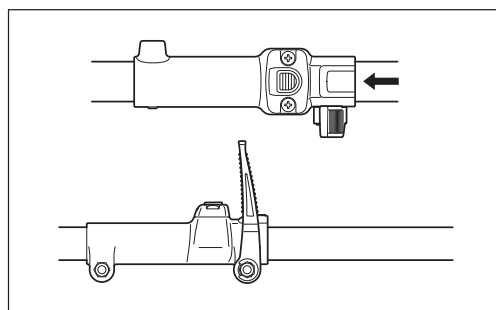
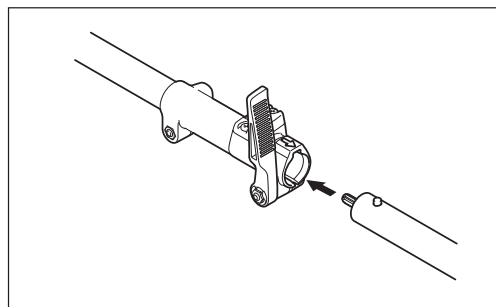
INSTALAR IMPLEMENTO

PRECAUÇÃO: Antes de efectuar qualquer trabalho na Multifuncional a Gasolina, desligue sempre a máquina e retire o conector da vela de ignição da vela de ignição.
Use sempre luvas de protecção!

PRECAUÇÃO: Ligue a Multifuncional a Gasolina após a montagem completa.

Montagem

- Desaperte a alavanca.
- Alinhe o perno do implemento com a ranhura da junta e introduza o perno.
- Introduza o implemento até à posição da seta do implemento. E verifique se o botão subiu.
- Aperte a alavanca.
(Consulte o diagrama à direita para orientação.)

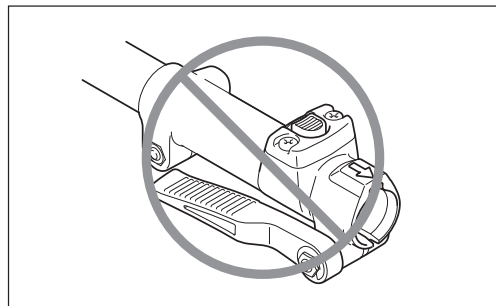
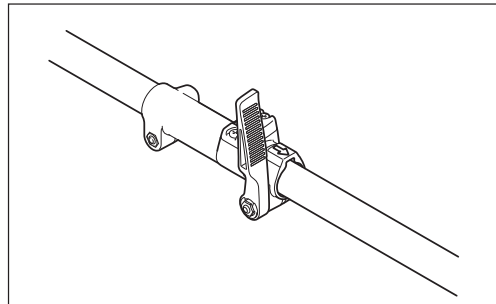


DESMONTAGEM

- Desaperte a alavanca.
- Prima o botão e extraia o implemento.
(O máximo possível, tente extrair o implemento numa linha recta.)

Nota:

- Não deixe a alavanca num estado apertado quando o implemento não está instalado.



ANTES DE INICIAR O FUNCIONAMENTO

Inspeção e reabastecimento de óleo do motor

- Execute o procedimento seguinte, com o motor arrefecido.
- Defina o nível do motor, retire o tampão de óleo (Fig. 1) e verifique se existe ou não óleo no intervalo entre as marcas de limite superior e inferior do tubo de óleo (Fig. 2).
- Abasteça com óleo até à marca do limite superior se o óleo for insuficiente (o nível de óleo está próximo da marca do limite inferior) (Fig. 3).
- A área em redor das marcas externas é transparente, por isso, a quantidade de óleo no interior pode ser verificada sem ter de retirar o tampão de óleo. No entanto, se o tubo de óleo ficar extremamente sujo, pode perder a visibilidade e terá de verificar o nível de óleo na secção escalonada no interior do tubo de óleo.
- Para referência, o tempo de reabastecimento de óleo é cerca de 10h (a cada 10 abastecimentos).
Se o óleo mudar de cor ou misturar-se com sujidade, substitua por um óleo novo. (Para o intervalo e método de substituição, consulte P 143)

Óleo recomendado: Óleo 10W-30 SAE de classificação API, Classe SF ou superior (motor a 4 tempos para automóvel)

Volume de óleo: Aprox. 0,08L

Nota: Se o motor não for mantido na vertical, o óleo pode entrar para o motor e pode ser excessivamente abastecido.
Se abastecer óleo além do limite, este pode ser contaminado ou pode incendiar com fumo branco.

Ponto 1 sobre a Substituição do óleo: "Tampão de óleo"

- Retire qualquer sujidade perto da entrada de abastecimento do óleo e desencaixe o tampão de óleo.
- Mantenha o tampão de óleo limpo. Caso contrário, qualquer sujidade que adira ao tampão de óleo pode causar uma circulação de óleo irregular ou desgaste nas peças do motor, que irá resultar em problemas.

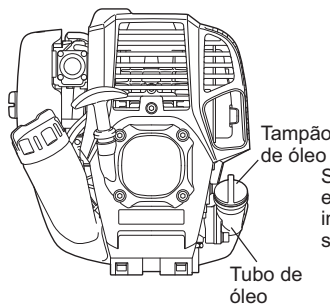


Fig. 1

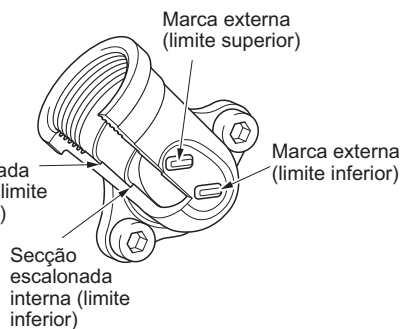


Fig. 2 Tubo de óleo

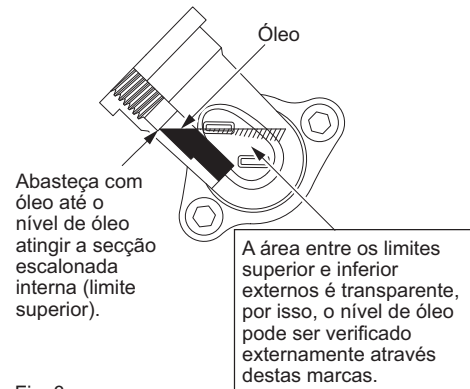
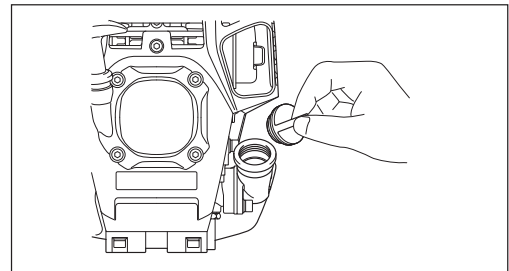
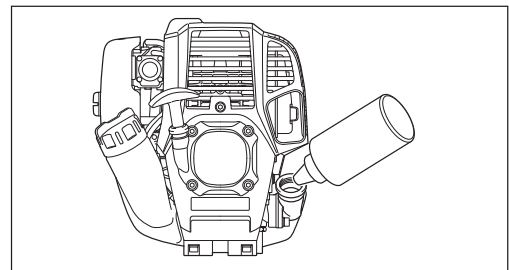


Fig. 3

- (1) Mantenha o motor nivelado e desencaixe o tampão de óleo.



- (2) Abasteça com óleo até à marca do limite superior. (consulte Fig. 3)
Utilize a garrafa de óleo ao abastecer.



- (3) Aperte bem o tampão de óleo. Um aperto insuficiente pode causar fugas de óleo.

Nota

- Não substitua o óleo com o motor numa posição inclinada.
- Abastecer com óleo enquanto o motor está inclinado resulta no abastecimento excessivo que causa contaminação de óleo e/ou fumo branco.

Ponto 2 sobre a Substituição do óleo: “Em caso de derrames de óleo”

- Em caso de derrames de óleo entre o depósito de combustível e a unidade principal do motor, o óleo é aspirado pela porta de entrada do ar de refrigeração, que irá contaminar o motor. Certifique-se de que limpa o óleo derramado antes de iniciar o funcionamento.

ABASTECIMENTO

Lidar com o combustível

É necessário muito cuidado ao lidar com o combustível. O combustível pode conter substâncias semelhantes a solventes. O abastecimento tem de ser executado numa sala bem ventilada ou no exterior. Não inale vapores do combustível e evite qualquer contacto de combustível ou óleo com a sua pele. O contacto prolongado da sua pele com o combustível fará com que a sua pele fique extremamente seca, o que pode resultar em doenças de pele ou alergia. Se entrar combustível nos seus olhos, lave-os imediatamente com água limpa. Se os seus olhos ainda estiverem irritados, consulte imediatamente um médico.

Período de abastecimento de combustível

O combustível deve ser utilizado num período de 4 semanas, mesmo se for mantido num recipiente especial num local bem ventilado. Se não for utilizado um recipiente especial ou se o recipiente não estiver coberto, o combustível pode deteriorar no espaço de um dia.

ARMAZENAMENTO DA MÁQUINA E DEPÓSITO DE ABASTECIMENTO

- Mantenha a máquina e o depósito num local fresco sem luz solar directa.
- Nunca guarde o combustível na cabine ou mala.

Combustível

O motor é um motor a quatro tempos. Certifique-se de que utiliza gasolina para automóvel (gasolina normal ou gasolina premium).

Observações sobre o combustível

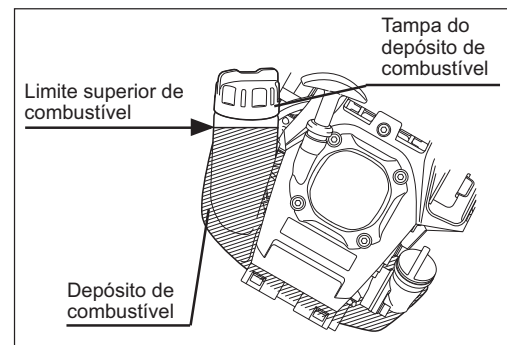
- Nunca utilize uma mistura de gasolina com óleo do motor. Caso contrário, causa uma acumulação excessiva de carbono ou problemas mecânicos.
- A utilização de óleo deteriorado irá causar um arranque irregular.

Abastecimento

AVISO: INFLAMÁVEIS ESTRITAMENTE PROIBIDOS

Gasolina usada: Gasolina (gasolina sem chumbo)

- Desaperte a tampa do depósito de modo a não haver diferenças na pressão atmosférica.
 - Desencaixe a tampa do depósito e abasteça, descarregar o ar inclinando o depósito de combustível de modo a que a entrada de abastecimento esteja na vertical. (Nunca abasteça combustível ao máximo na entrada de abastecimento de óleo.)
 - Limpe rigorosamente a área em torno da tampa do depósito para evitar que entre sujidade no depósito de combustível.
 - Após o abastecimento, aperte bem a tampa do depósito.
-
- Se a tampa do depósito tiver falhas ou danos, substitua-a.
 - A tampa do depósito é consumível e, por isso, deve ser substituída a cada dois ou três anos.



MANUSEAMENTO CORRECTO DA MÁQUINA

Fixação da alça do ombro

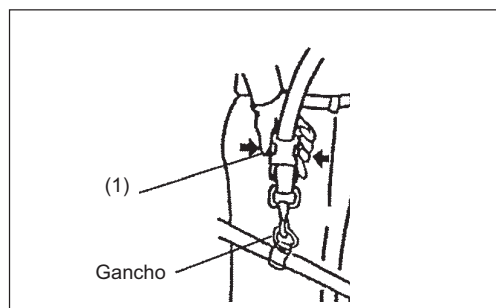
- Ajuste a correia ao comprimento adequado para a sua operação.

Separação

- Em caso de emergência, empurre os entalhes (1) em ambos os lados e pode libertar-se da máquina.

A este ponto, preste muita atenção para manter o controlo da máquina. Não permita que a máquina seja desviada em direcção a si ou a alguém próximo de si.

AVISO: Se não conseguir manter o controlo total do equipamento, poderá sofrer ferimentos corporais graves ou MORRER.



PONTOS SOBRE O FUNCIONAMENTO E COMO PARAR

Leia os regulamentos sobre prevenção de acidentes aplicáveis!

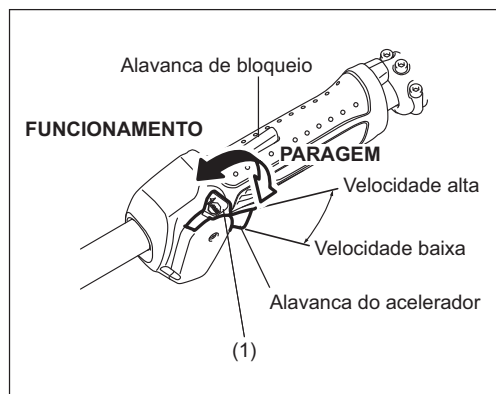


INÍCIO

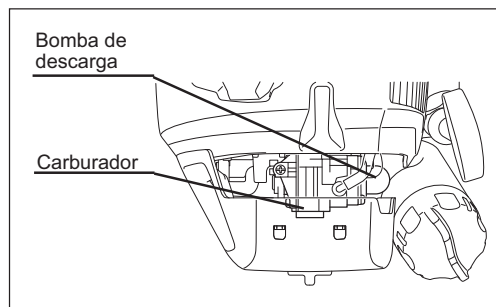
Desloque no mínimo 3 m longe do local de abastecimento. Coloque a Multifuncional a Gasolina num pedaço limpo do chão certificando-se de que o implemento não entra em contacto com o chão ou com quaisquer outros objectos.

A: Arranque a frio

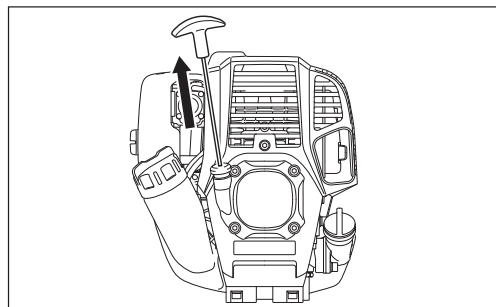
- 1) Monte esta máquina num espaço plano.
- 2) Regule o interruptor I-O (1) para FUNCIONAMENTO.



- 3) Bomba de descarga
 Continue a empurrar a bomba de descarga até o combustível entrar na bomba de descarga.
 (Normalmente, o combustível entra na bomba de descarga após 7 a 10 empurrões.)
 Se a bomba de descarga for empurrada em demasia, um excesso de gasolina regressa ao depósito de combustível.



- 4) Fio de arranque
 Puxe o manípulo de arranque suavemente até ficar difícil de puxar (ponto de compressão). De seguida, alivie o manípulo de arranque e puxe com força.
 Nunca puxe a corda ao máximo. Assim que o manípulo de arranque for puxado, nunca solte a mão imediatamente. Segure o manípulo de arranque até este voltar ao ponto de origem.
- 5) Operação de aquecimento
 Continue a operação de aquecimento durante 2 a 3 minutos.



Nota: Em caso de entrada excessiva de combustível, remova a vela de ignição e puxe a pega de arranque lentamente para remover o combustível em excesso. Também deverá limpar a secção dos eléctrodos da vela de ignição.

Precauções durante o funcionamento:

Se a alavanca do acelerador estiver totalmente aberta em funcionamento em vácuo, a rotação do motor aumenta para 10.000 min⁻¹ ou mais. Nunca opere o motor a uma velocidade mais alta do que a necessária e a uma velocidade aproximada de 6.000 - 8.500 min⁻¹.

B: Arranque após operação de aquecimento

- 1) Empurre a bomba de descarga repetidamente.
- 2) Mantenha a alavanca do acelerador na posição de marcha lenta.
- 3) Puxe o fio de arranque com força.
- 4) Se for difícil arrancar o motor, abra o regulador de velocidade cerca de 1/3.
 Preste atenção ao implemento que pode rodar.

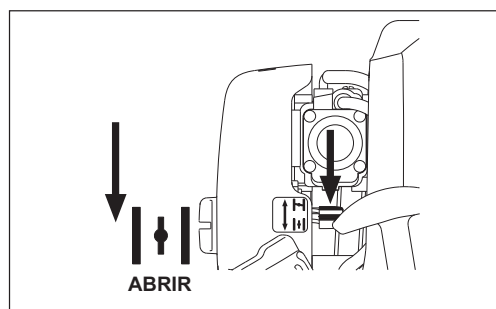
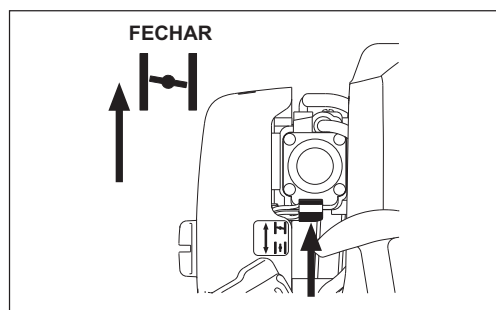
Em certos períodos, como o Inverno, quando é difícil ligar o motor

Utilize a alavanca do afogador com o procedimento seguinte ao ligar o motor.

- Após implementar os passos de arranque 1) a 3), coloque a alavanca do afogador na posição FECHAR.
- Implemente o passo de arranque 4) e ligue o motor.
- Assim que o motor arrancar, coloque a alavanca do afogador na posição ABRIR.
- Implemente o passo de arranque 5) e conclua o aquecimento.

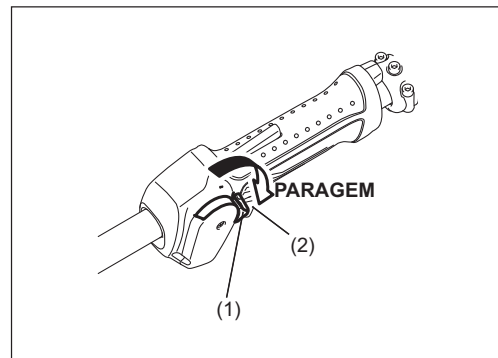
PRECAUÇÃO: Se ouvir um estouro (som explosivo) e o motor parar ou se o motor acabado de ligar parar antes de utilizar a alavanca do afogador, coloque a alavanca do afogador na posição ABRIR e puxe o manípulo do dispositivo de arranque algumas vezes para ligar o motor.

PRECAUÇÃO: Se a alavanca do afogador permanecer na posição FECHAR e se simplesmente puxar várias vezes o manípulo do dispositivo de arranque, será aspirado demasiado combustível e o motor terá dificuldades ao ligar.



PARAR

- 1) Solte totalmente a alavanca do acelerador (2) e quando as rpm do motor tiverem baixado, regule o botão I-O para PARAGEM, o motor irá parar.
- 2) Note que o implemento poderá não parar imediatamente e deixe sempre que ela abraque e pare completamente por si própria.

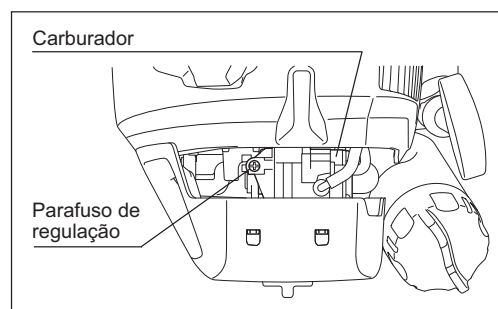


AJUSTE DE ROTAÇÃO DE BAIXA VELOCIDADE (MARCHA LENTA)

Quando é necessário ajustar a rotação de baixa velocidade (marcha lenta), efectue através do parafuso de regulação do carburador.

VERIFICAÇÃO DA ROTAÇÃO DE BAIXA VELOCIDADE

- Defina a rotação de baixa velocidade para 3.000 min^{-1} .
Se for necessário alterar a velocidade de rotação, regule o parafuso de regulação (ilustrado à direita), com uma chave Phillips.
- Rode o parafuso de regulação para a direita e a rotação do motor irá aumentar.
Rode o parafuso de regulação para a esquerda e a rotação do motor irá diminuir.
- Normalmente, o carburador é ajustado antes do envio. Se for necessário reajustar, contacte o Agente de Serviço Autorizado.



INSTRUÇÕES DE SERVIÇO

PRECAUÇÃO: Antes de efectuar qualquer trabalho na Multifuncional a Gasolina, desligue sempre a máquina e retire a tampa da vela da vela de ignição (consulte "verificar a vela de ignição").

Use sempre luvas de protecção!

Nunca utilize gasolina, benzina, diluente, álcool ou semelhante. Podem formar-se descolorações, deformações ou fissuras.

Para garantir um longo tempo de funcionamento e para evitar quaisquer danos no equipamento, as seguintes operações de serviço devem ser executadas em intervalos regulares.

Inspeção e manutenção diárias

- Antes do funcionamento, verifique se existem parafusos soltos na máquina ou se faltam peças. Preste especial atenção a um implemento especificado para uma instalação segura.
- Antes do funcionamento, inspecione sempre por entupimento da passagem do ar de arrefecimento e das alhetas de cilindro. Se necessário, limpe-as.
- Efectue o trabalho diário seguinte após a utilização:
 - Limpe a Multifuncional a Gasolina e inspecione por danos.
 - Limpe o filtro de ar. Ao trabalhar em condições de muito pó, limpe o filtro várias vezes por dia.
 - Certifique-se de que existe uma diferença suficiente entre a marcha lenta e a velocidade de engrenagem para garantir que o implemento se encontra parado enquanto o motor está em marcha lenta (se necessário, reduza a marcha lenta). Se em condições de marcha lenta a ferramenta continuar a rodar, consulte o Agente de Serviço Autorizado.
- Verifique o funcionamento do botão I-O, a alavanca de bloqueio e a alavanca de controlo.

SUBSTITUIÇÃO DO ÓLEO DO MOTOR

Um óleo do motor deteriorado irá encurtar muito a vida útil das peças deslizantes e rotativas. Certifique-se de que verifica o período e quantidade de substituição.



ATENÇÃO: Normalmente, a unidade principal do motor e o óleo do motor ainda permanecem quentes logo após a paragem do motor. Aquando da substituição do óleo, confirme que a unidade principal do motor e o óleo do motor estão suficientemente arrefecidos. Caso contrário, pode existir um risco de queimadura.

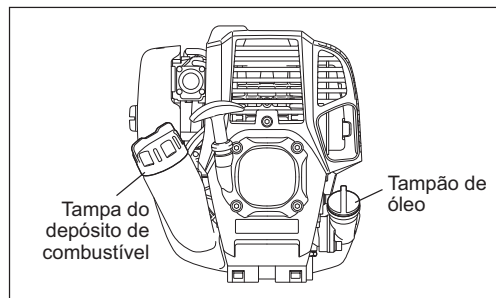
Nota: Se o óleo estiver acima do limite, pode estar contaminado ou pode incendiar-se com fumo branco.

Intervalo de substituição: Inicialmente, a cada 20 horas de funcionamento e posteriormente a cada 50 horas de funcionamento

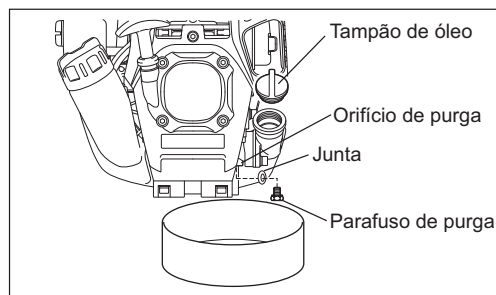
Óleo recomendado: Óleo 10W-30 SAE de classificação API, Classe SF ou superior (motor a 4 tempos para automóvel)

Aquando da substituição, execute o procedimento seguinte.

- 1) Confirme que a tampa do depósito de combustível está bem apertada.
- 2) Coloque um recipiente grande sob o orifício de purga.

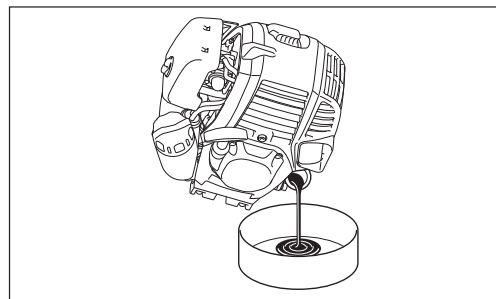


- 3) Retire o parafuso de purga e, de seguida, retire o tampão de óleo do orifício de purga. A este ponto, certifique-se de que não perde a junta do parafuso de purga e de que não suja os componentes removidos.
- 4) Assim que o óleo tiver sido purgado, una a junta e o parafuso de purga e aperte bem o parafuso de purga, para que não desaperte e cause fugas.
* Use um pano para limpar óleo existente no parafuso e no equipamento.

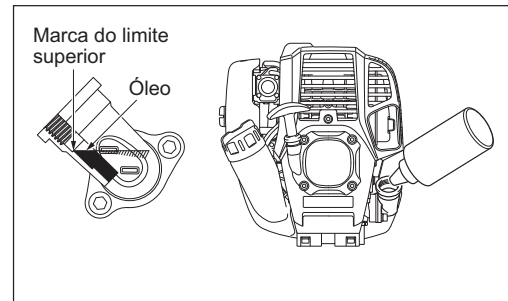
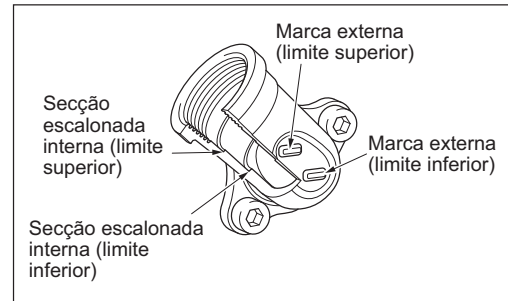


Método de purga alternativo

Retire o tampão de óleo, incline a Multifuncional a Gasolina na direcção do orifício de enchimento de óleo e purgue o óleo. Recolha o óleo num recipiente.



- 5) Defina o nível do motor e abasteça gradualmente até à marca do limite superior com óleo novo.
- 6) Após abastecer, aperte bem o tampão de óleo, para que não desaperte e cause fugas.
Se o tampão de óleo não estiver bem apertado, podem resultar fugas.



PONTOS SOBRE O ÓLEO

- Nunca elimine o óleo do motor substituído no lixo, terra ou sarjeta. A eliminação do óleo está regulada por lei. Aquando da eliminação, siga sempre as respectivas leis e regulações. Para quaisquer pontos que permaneçam desconhecidos, contacte o Agente de Serviço Autorizado.
- O óleo irá deteriorar mesmo quando não é utilizado. Execute a inspeção e a substituição a intervalos regulares (substitua por óleo novo a cada 6 meses).

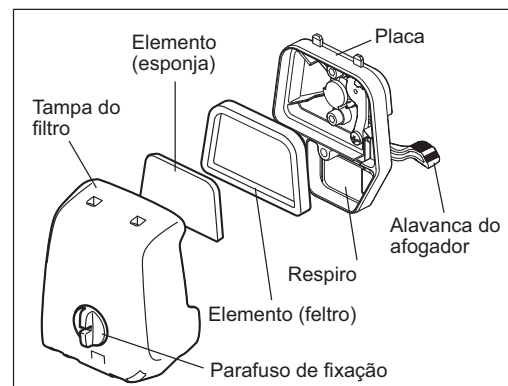
LIMPEZA DO FILTRO



PERIGO: INFLAMÁVEIS ESTRITAMENTE PROIBIDOS

Intervalo de limpeza e inspeção: Diariamente (a cada 10 horas de funcionamento)

- Rode a alavanca do afogador para o lado totalmente fechado e mantenha o carburador longe de qualquer pó ou sujidade.
- Desaperte o parafuso de fixação.
- Retire a tampa do filtro de ar ao puxar pelo seu lado inferior.
- Retire os elementos e bata neles para remover a sujidade.
- Se os elementos estiverem muito contaminados:
Remova os elementos, mergulhe-os em água quente ou em detergente neutro diluído em água e seque-os por completo. Não os esprema nem os esfregue ao lavar.
- Antes de instalar os elementos, certifique-se de que os seque por completo. Uma secagem insuficiente dos elementos pode resultar em arranques difíceis.
- Limpe o óleo em torno da tampa do filtro de óleo e do respiro com desperdícios.
- Instale o elemento (esponja) no elemento (feltro).
- Instale os elementos na placa de modo a que a esponja esteja virada para a tampa do filtro.
- Instale imediatamente a tampa do filtro e aperte-a com parafusos de fixação. (Aquando da montagem, primeiro coloque a garra superior e, de seguida, a garra inferior.)



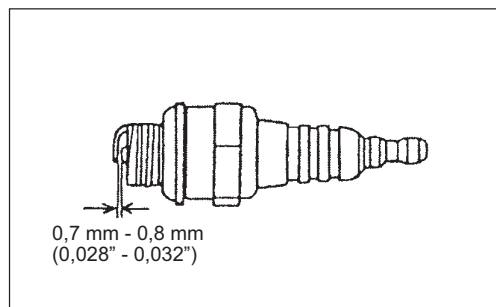
AVISO:

- Limpe os elementos várias vezes ao dia, se houver demasiado pó agarrado. Os elementos sujos reduzem a potência do motor e tornam os arranques difíceis.
- Retire o óleo dos elementos. Se a operação continuar com os elementos ainda com óleo, o óleo no filtro de ar pode cair fora, resultando na contaminação do ambiente.
- Não coloque os elementos no solo ou num local sujo. Caso contrário, apanham sujidade ou resíduos e podem danificar o motor.
- Nunca utilize combustível para limpar os elementos. O combustível pode danificá-los.

VERIFICAR A VELA DE IGNIÇÃO

- Utilize apenas a chave universal fornecida para remover ou instalar a vela de ignição.
- O espaço entre os dois eléctrodos da vela de ignição deverá estar a 0,7 – 0,8 mm. Se o espaço for demasiado largo ou estreito, ajuste-o. Se a vela de ignição estiver entupida ou contaminada, limpe-a rigorosamente ou substitua-a.

PRECAUÇÃO: Nunca toque no conector da vela de ignição enquanto o motor estiver a trabalhar (perigo de choque eléctrico de alta tensão).



LIMPEZA DO FILTRO DE COMBUSTÍVEL

AVISO: INFLAMÁVEIS ESTRITAMENTE PROIBIDOS

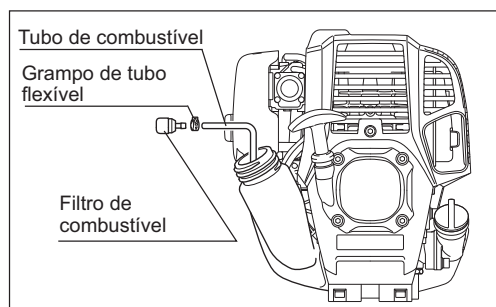
Intervalo de limpeza e inspecção: Mensalmente (a cada 50 horas de funcionamento)

Cabeça de sucção no depósito de combustível

Verifique periodicamente o filtro de combustível. Para verificar o filtro de combustível, siga os passos abaixo.

- (1) Retire a tampa do depósito de combustível, purgue o combustível para esvaziar o depósito. Verifique o interior do depósito por quaisquer materiais estranhos. Caso existam, remova-os.
- (2) Retire a cabeça de sucção ao utilizar um gancho de arame através da abertura do depósito.
- (3) Se o filtro de combustível estiver ligeiramente entupido, limpe-o. Para limpá-lo, abane-o ligeiramente e mergulhe-o em combustível. Para evitar danos, não o esprema nem o esfregue. O combustível utilizado para a limpeza tem de ser eliminado de acordo com o método especificado pelas regulamentações no seu país.
Se o filtro de combustível ficar rígido ou altamente entupido, substitua-o.
- (4) Após verificar, limpar ou substituir, introduza o filtro de combustível ao máximo até ao fundo do depósito de combustível.

Um filtro de combustível entupido ou danificado pode causar um fornecimento insuficiente de combustível e reduzir a potência do motor. Substitua o filtro de combustível, no mínimo, a cada três meses para garantir um fornecimento adequado de combustível para o carburador.



SUBSTITUIÇÃO DO TUBO DE COMBUSTÍVEL

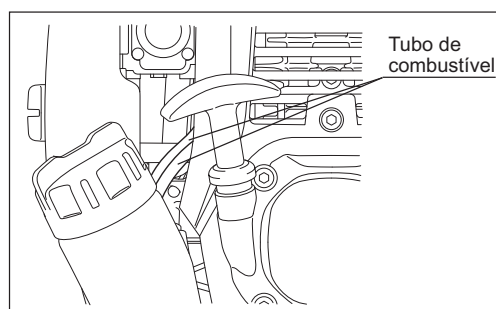
PRECAUÇÃO: INFLAMÁVEIS ESTRITAMENTE PROIBIDOS

Intervalo de limpeza e inspecção: Diariamente (a cada 10 horas de funcionamento)

Substituição: Anualmente (a cada 200 horas de funcionamento)

Substitua o tubo de combustível todos os anos, independentemente da frequência de funcionamento. As fugas de combustível podem provocar um incêndio.

Se detectar alguma fuga durante a inspecção, substitua o tubo de combustível imediatamente.



INSPECÇÃO DE PARAFUSOS E PORCAS

- Reaperte parafusos e porcas desapertados, etc.
- Inspeccione por fugas de combustível e óleo.
- Substitua as peças danificadas por peças novas para um funcionamento seguro.

LIMPEZA DAS PEÇAS

- Mantenha sempre o motor limpo.
- Mantenha as alhetas do cilindro limpas. O pó ou sujidade que adira às alhetas irá causar falha do êmbolo.

SUBSTITUIÇÃO DAS JUNTAS E EMPANQUES

Aquando da montagem após o motor estar desmontado, certifique-se de que substituiu as juntas e os empanques por uns novos. Qualquer manutenção de ajuste que não esteja incluído e descrito neste manual deve ser efectuada apenas pelos Agentes de Serviço Autorizados.

ARMAZENAMENTO

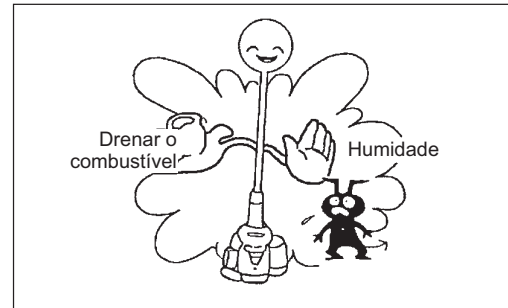


AVISO: Ao purgar combustível, certifique-se de que desliga o motor e confirme que o motor arrefece. Imediatamente após desligar o motor, há o risco de queimaduras, inflamabilidade e incêndio.



ATENÇÃO: Quando a máquina não é utilizada durante um longo período, purgue todo o combustível do depósito de combustível e carburador e guarde-a num local seco e limpo.

- Purgue o combustível do depósito de combustível e carburador de acordo com o procedimento seguinte:
 - 1) Retire o tampão do depósito de combustível e purgue totalmente o combustível.
Se existirem substâncias estranhas no depósito de combustível, retire-o completamente.
 - 2) Retire o filtro de combustível da entrada de abastecimento utilizando um arame.
 - 3) Empurre a bomba de descarga até o combustível ser purgado e purgue o combustível que está a entrar no depósito de combustível.
 - 4) Coloque novamente o filtro no depósito de combustível e aperte bem a tampa do depósito de combustível.
 - 5) De seguida, continue a operar o motor até parar.
- Retire a vela de ignição e goteje várias gotas de óleo do motor pelo orifício da vela de ignição.
- Puxe suavemente a pega de arranque para que o óleo do motor se espalhe pelo motor e encaixe a vela de ignição.
- Não mova a alavanca na posição de bloqueio enquanto não instalar o implemento.
A alavanca na posição de bloqueio sem o implemento instalado não permite a instalação do veio do implemento.
- Durante o armazenamento, mantenha a biela na horizontal ou a máquina na vertical com a extremidade da junta orientada para cima. (Neste caso, preste atenção para impedir que a máquina caia.)
Nunca guarde a máquina com a junta virada para baixo. O óleo de lubrificação pode derramar.
- Guarde o combustível purgado num recipiente especial num local bem ventilado.



Atenção após armazenamento de longa duração

- Antes do arranque após paragem de longa duração, certifique-se de que substitui o óleo (consulte P 143). O óleo irá deteriorar enquanto a máquina não é utilizada.

Identificação de falhas

Avaria	Sistema	Observação	Causa
O motor não arranca ou arranca com dificuldade	Sistema de ignição	Ignição por vela O.K.	Avaria no fornecimento de combustível ou sistema de compressão, defeito mecânico
		Sem ignição por vela	Funcionamento através do botão STOP, avaria na cablagem ou curto-circuito, vela de ignição ou conector defeituoso, módulo de ignição avariado
	Fornecimento de combustível	Depósito de combustível enchido	Posição do afogador incorrecta, carburador defeituoso, linha de fornecimento do combustível dobrada ou bloqueada, combustível sujo
	Compressão	Sem compressão quando parada	Junta inferior do cilindro defeituosa, vedantes da cambota danificados, anéis do pistão ou do cilindro defeituosos ou vedação imprópria da vela de ignição.
Problemas no arranque a quente	Avaria mecânica	Dispositivo de arranque não engrenado	Mola do dispositivo de arranque partida, peças partidas dentro do motor
		Depósito cheio vela de ignição existente	Carburador contaminado, limpe-o
O motor arranca mas morre	Fornecimento de combustível	Depósito cheio	Ajuste da marcha lenta incorrecto, carburador contaminado Ventilação do depósito de combustível defeituosa, linha de fornecimento de combustível interrompida, cabo ou botão STOP avariado
Desempenho insuficiente	Vários sistemas podem estar afectados em simultâneo	Marcha lenta do motor fraca	Filtro de ar contaminado, carburador contaminado, silenciador entupido, conduta de escape no cilindro entupida

Tempo de funcionamento		Antes do funcionamento	Após lubrificação	Diária (10h)	30h	50h	200h	Paragem/repouso	P correspondente
Óleo do motor	Inspeccione/limpe	○							139
	Substitua					○*1			143
Peças de aperto (parafuso, porca)	Inspeccione	○							145
Depósito de combustível	Limpe/inspeccione	○							—
	Drenar o combustível							○*3	146
Alavanca do acelerador	Verifique função		○						—
Interruptor de paragem	Verifique função		○						142
Rotação a baixa velocidade	Inspeccione/ajuste			○					142
Filtro	Limpe			○					144
Vela de ignição	Inspeccione			○					145
Conduta de ar de arrefecimento	Limpe/inspeccione			○					145
Tubo de combustível	Inspeccione			○					145
	Substitua						◎*2		—
Filtro de combustível	Limpe/substitua					○			145
A folga entre a válvula de entrada de ar e a válvula de descarga de ar	Ajuste						◎*2		—
Revisão do motor							◎*2		—
Carburador	Drenar o combustível							○*3	146

*1 Execute a substituição inicial após 20 horas de funcionamento.

*2 Para a inspeção de 200 horas de funcionamento, contacte o Agente de Serviço Autorizado ou loja da máquina.

*3 Após esvaziar o depósito de combustível, deixe o motor em funcionamento e purgue o combustível no carburador.

Consulte o manual de instruções de cada implemento e efectue a manutenção quando estão a ser utilizados.

RESOLUÇÃO DE PROBLEMAS

Antes de efectuar um pedido para reparações, verifique você mesmo o problema. Se encontrar uma anomalia, controle a máquina de acordo com a descrição neste manual. Nunca altere nem desmonte qualquer peça contrária à descrição. Para reparações, contacte o Agente de Serviço Autorizado ou concessionário local.

Estado de anomalia	Causa provável (avaria)	Solução
O motor não arranca	Falha ao operar a bomba de descarga	Empurre 7 a 10 vezes
	Velocidade de puxo baixa da corda de arranque	Puxe com força
	Falta de combustível	Forneça combustível
	Filtro de combustível obstruído	Limpe
	Tubo de combustível quebrado	Endireite o tubo de combustível
	Combustível deteriorado	O combustível deteriorado torna o arranque mais difícil. Substitua por combustível novo. (Substituição recomendada: 1 mês)
	Aspiração excessiva de combustível	Regule a alavanca do acelerador de velocidade média para velocidade elevada e puxe a pega de arranque até o motor arrancar. Assim que o motor arrancar, o implemento começa a rodar ou a mover. Preste atenção ao implemento. Se mesmo assim o motor não pegar, retire a vela de ignição, seque o eléctrodo e monte-os da forma original. De seguida, ligue como especificado.
	Tampa da vela desencaixada	Encaixe bem
	Vela de ignição contaminada	Limpe
	Folga anómala da vela de ignição	Ajuste a folga
	Outra anomalia da vela de ignição	Substitua
	Carburador anómalo	Peça uma inspecção e manutenção.
	A corda de arranque não pode ser puxada	Peça uma inspecção e manutenção.
Sistema de accionamento anómalo	Peça uma inspecção e manutenção.	
O motor pára rapidamente A velocidade do motor não aumenta	Aquecimento insuficiente	Execute a operação de aquecimento
	A alavanca do afogador está regulada para "FECHAR" apesar do motor estar quente.	Regule para "ABRIR"
	Filtro de combustível obstruído	Limpe ou substitua
	Filtro contaminado ou obstruído	Limpe
	Carburador anómalo	Peça uma inspecção e manutenção.
	Sistema de accionamento anómalo	Peça uma inspecção e manutenção.
O implemento não roda nem se move ↓ Pare o motor imediatamente	O implemento não está introduzido no ponto especificado.	Introduza conforme indicado.
	Sistema de accionamento anómalo	Peça uma inspecção e manutenção.
A unidade principal vibra de forma anómala ↓ Pare o motor imediatamente	O implemento não está introduzido no ponto especificado.	Introduza conforme indicado.
	Alavanca desapertada	Aperte bem.
	Sistema de accionamento anómalo	Peça uma inspecção e manutenção.
O implemento não pára imediatamente ↓ Pare o motor imediatamente	Rotação a marcha rápida	Ajuste
	Fio de acelerador desencaixado	Encaixe bem
	Sistema de accionamento anómalo	Peça uma inspecção e manutenção.
O motor não pára ↓ Coloque o motor em marcha lenta e regule a alavanca do afogador para FECHAR	Conector desencaixado	Encaixe bem
	Sistema eléctrico anómalo	Peça uma inspecção e manutenção.

Quando o motor não arranca após a operação de aquecimento:

Se não encontrar nenhuma anomalia nos itens de verificação, abra o regulador de velocidade cerca de 1/3.
















Mange tak fordi du købte et MAKITA multifunktionelt værktøjshoved. Vi er glade for at kunne anbefale dig dette MAKITA multifunktionelle værktøjshoved, der er resultatet af et langt udviklingsprogram og mange års viden og erfaring. Læs venligst dette hæfte der i detaljer gennemgår de forskellige punkter, som demonstrerer maskinens fremragende ydeevne. Det vil gøre dig i stand til at opnå det bedst mulige resultat med dit MAKITA multifunktionelle værktøjshoved.



Indholdsfortegnelse	Side
Symboler	149
Sikkerhedsanvisninger	150
Tekniske data.....	154
Godkendte tilbehør.....	155
Delenes betegnelser.....	156
Montering af håndtag.....	157
Montering af tilbehør	157
Afmontering	158
Inden anvendelse	159
Korrekt håndtering af maskinen.....	161
Punkter vedrørende betjening og stopprocedure	161
Vedligeholdelsesinstruktioner	164
Opbevaring	167

SYMBOLER

Du skal være opmærksom på følgende symboler, når du læser brugsanvisningen.

	Læs brugsanvisningen og overhold advarsels- og sikkerhedsforholdsreglerne!		Bær hjelm, øjen- og høreværn!
	Vær særlig forsigtig og opmærksom!		Brændstof (Benzin)
	Forbudt!		Manuel start af motor
	Rygning forbudt!		Nødstop
	Brug af åben ild forbudt!		Førstehjælp
	Der skal anvendes beskytteshandsker!		TÆNDT/START
	Anvend kraftige støvler med skridsikre såler. Sikkerhedssko med stål-næse anbefales!		SLUKKET/STOP
	Hold arbejdsområdet fri for personer og dyr!		

Beregnet brug af maskinen

Dette multifunktionelle værktøjshoved er beregnet til at drive et godkendt tilbehør, der specificeret i denne brugsanvisning. Anvend aldrig maskinen til nogen andre formål.

SIKKERHEDSANVISNINGER

Generelle instruktioner

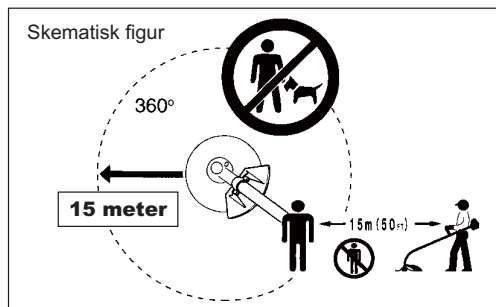
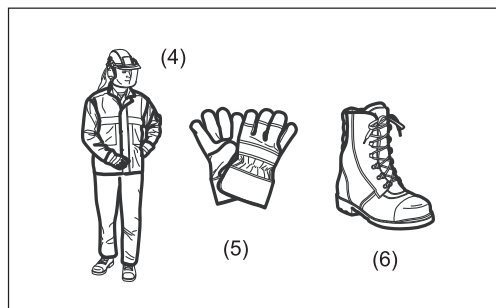
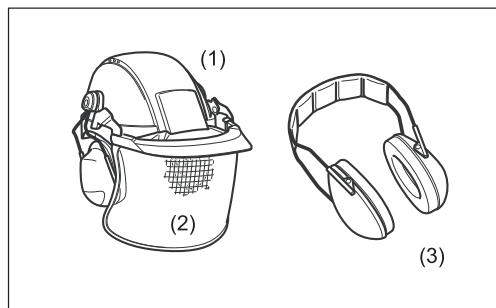
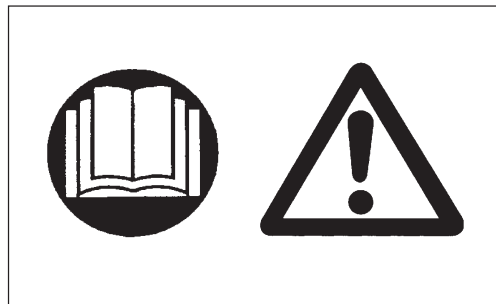
- For at sikre at maskinen anvendes korrekt, skal brugeren læse denne brugsanvisning, sådan at han kender til håndteringen af det multifunktionelle værktøjshoved. Brugere, som ikke kender tilstrækkeligt til anvendelsen, er til fare for dem selv og andre pga. forkert håndtering af maskinen.
- Det anbefales at det multifunktionelle værktøjshoved kun lånes ud til personer, som har erfaring med multifunktionelle værktøjshoveder. Overdrag altid brugsanvisningen.
- Førstegangsbrugere bør bede forhandleren om grundlæggende instrukser for at få kendskab til håndteringen af en motordrevet skæremaskine.
- Børn og personer under 18 år må ikke anvende det multifunktionelle værktøjshoved. Personer over 16 må anvende maskinen til træningsformål, men kun under vejledning af en kvalificeret underviser.
- Anvend multifunktionelle værktøjshoveder med stor forsigtighed og opmærksomhed.
- Brug kun det multifunktionelle værktøjshoved, hvis du er i god fysik form. Udfør alt arbejde roligt og forsigtigt. Brugeren har ansvaret for andre.
- Brug aldrig det multifunktionelle værktøjshovedet efter indtagelse af alkohol eller medicin, eller hvis du føler dig træt eller dårligt tilpas.
- Nationale bestemmelser kan begrænse brugen af maskinen.

Personligt sikkerhedsudstyr

- Der skal bæres funktionelt og passende tøj, dvs. det bør sidde tæt, men ikke være til hindring. Bær ikke smykker eller tøj, der kan sidde fast i buske eller krat.
- For at undgå skader på hoved, øjne, hænder eller fødder samt for at beskytte din hørelse, skal du altid anvende følgende sikkerhedsudstyr og beskyttelsesbeklædning, når du anvender det multifunktionelle værktøjshoved.
- Bær altid en hjelm på steder hvor der er risiko for, at ting falder ned. Beskyttelseshjelm (1) skal med jævne mellemrum efterses for skader, og skal udskiftes mindst hvert 5 år. Brug kun godkendte beskyttelseshjelme.
- Hjelmens visir (2) (eller alternativt beskyttelsesbriller) beskytter ansigtet mod flyvende afskårne dele og sten. Under arbejde med det multifunktionelle værktøjshoved skal der altid anvendes beskyttelsesbriller eller et visir for at forhindre øjenskader.
- Anvend passende midler til beskyttelse mod støj for at undgå hørenedsættelse (hørevern (3) ørepropper m.v.).
- Arbejdsoveralls (4) beskytter mod flyvende sten og afskåret materiale. Vi anbefaler på det kraftigste, at brugeren anvender arbejdsoveralls.
- Specialhandsker (5), der er lavet af tykt læder, er en del af det foreskrevne udstyr og skal altid anvendes under betjening af multifunktionsværktøjet.
- Under brug af det multifunktionelle værktøjshoved skal der altid anvendes solide sko (6) med en skridsikker sål. Dette beskytter mod skader og sikrer et godt fodfæste.

Start af det multifunktionelle værktøjshoved

- Sørg for, at der ikke er nogen børn eller andre mennesker i nærheden og vær også opmærksom på eventuelle dyr i arbejdsområdet.
- Kontroller, at tilbehøret er monteret ordentligt, at gashåndtaget glider let, og at lås-fra-mekanismen fungerer korrekt.
- Tilbehøret må ikke må ikke bevæge sig i tomgang. Forhør dig hos din forhandler angående justering, hvis du er i tvivl. Sørg for, at håndtagene er rene og tørre og test funktionen af start/stop-kontakten.

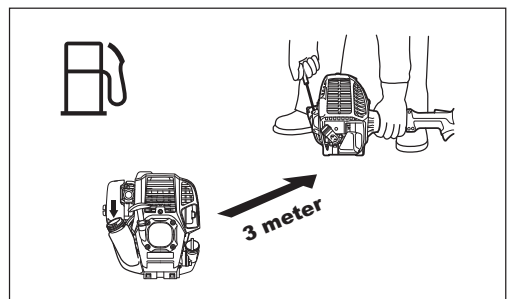
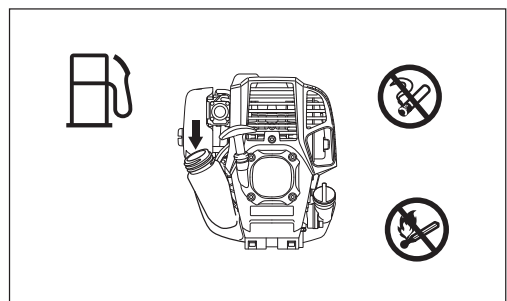
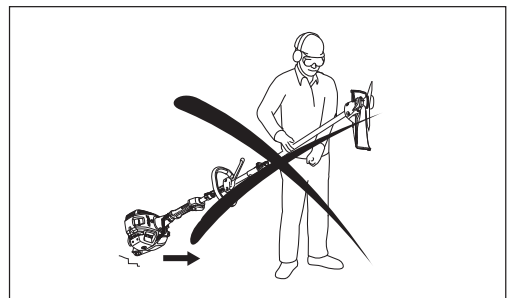
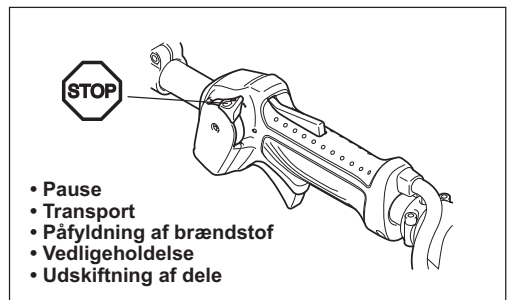
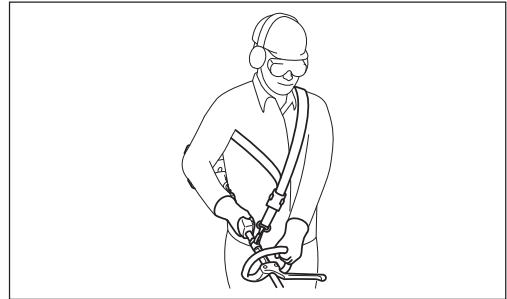
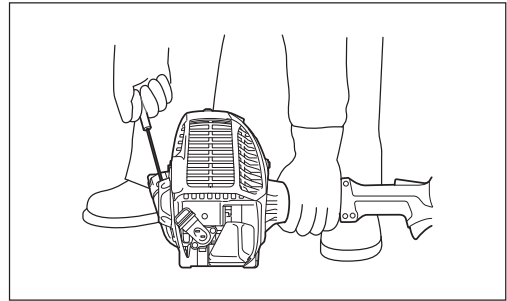


Start kun det multifunktionelle værktøjshoved i henhold til instruktionerne.

- Benyt ikke andre metoder til at starte motoren med!
- Brug kun det multifunktionelle værktøjshoved og værktøjerne til anvendelser som dem der er specificeret.
- Start kun motoren i det multifunktionelle værktøjshoved, når maskinen er helt samlet. Det er kun tilladt at anvende maskinen efter alt tilbehøret er monteret!
- Inden du starter, skal du sikre dig, at tilbehøret ikke er i kontakt med hårde objekter som f.eks. grene, sten eller lignende, eftersom tilbehøret drejer rundt, når du starter.
- Motoren skal øjeblikkeligt slås fra i tilfælde af motorproblemer.
- Skulle tilbehøret ramme sten eller andre hårde objekter, skal du straks slukke for motoren og efterse tilbehøret.
- Anvend kun det multifunktionelle værktøjshoved med påmonteret bærerem, der skal være justeret til, inden det multifunktionelle værktøjshoved betjenes. Det er vigtigt at justere bæreremmen i henhold til brugerens størrelse for at forhindre træthed under brug. Hold aldrig buskrydderen med kun én hånd under brug.
- Under anvendelsen skal det multifunktionelle værktøjshoved altid holdes med begge hænder. Sørg altid for at have et godt fodfæste.
- Anvend det multifunktionelle værktøjshoved på en sådan måde, at du undgår indånding af udstødningsgasser. Lad aldrig motoren køre i indelukkede rum (risiko for gasforgiftning). Kulilte er en lugtfri gas.
- Sluk for motoren under pauser og når det multifunktionelle værktøjshoved efterlades uden opsyn, og placer det på et sikkert sted så det ikke er til fare for andre, og der undgås beskadigelse af maskinen.
- Placer aldrig et varmt multifunktionelt værktøjshoved på tørt græs eller andet letantændeligt materiale.
- Alle beskyttelsesinstallationer og afskærmninger som følger med maskinen skal anvendes under betjeningen.
- Anvend aldrig motoren med en defekt lyddæmper.
- Sluk for motoren under transport.
- Under transport over lange afstande skal den medfølgende værktøjsbeskyttelse altid anvendes.
- Sørg for at det multifunktionelle værktøjshoved er sikkert placeret under biltransport for at undgå brændstoftækkage.
- Sørg for at brændstoftanken er fuldstændig tom under transport af det multifunktionelle værktøjshoved.
- Når det multifunktionelle værktøjshoved tages ned fra lastbilen, må motoren aldrig smides ned på jorden, da dette kan beskadige brændstoftanken alvorligt.
- Undtagen i nødstilfælde må du aldrig tabe eller kaste det multifunktionelle værktøjshoved ned på jorden, da dette ellers kan beskadige det multifunktionelle værktøjshoved alvorligt.
- Husk altid at løfte hele maskinen op fra jorden, når du flytter den. Det er yderst farligt at trække brændstoftanken hen over jorden, og det kan forårsage skader samt lækage af brændstof, der muligvis kan medføre brandudvikling.
- Hvis maskinen bliver udsat for stærkt tryk eller tabes, skal du kontrollere dens tilstand, inden du fortsætter arbejdet. Kontroller brændstofsyste­met for brændstoftækkage samt betjenings- og sikkerhedsudstyr for funktionsfejl. Hvis der er nogen skader eller tvivlsspørgsmål, skal du bede vores autoriserede servicecenter om at foretage eftersyn og reparation.

Påfyldning af brændstof

- Sluk for motoren under påfyldning af brændstof, hold maskinen væk fra åben ild, samt undlad ryge.
- Undgå hudkontakt med mineralske olieprodukter. Indånd ikke brændstofdampe. Bær altid beskyttelseshandsker under påfyldning af brændstof. Skift og rens beskyttelsesbeklædningen med jævne mellemrum.
- Pas på ikke at spilde hverken brændstof eller olie for at forhindre forurening af jorden (miljøbeskyttelse). Rengør straks det multifunktionelle værktøjshoved efter der er spildt brændstof.
- Undgå at få brændstof på tøjet. Skift øjeblikkeligt tøj, hvis der kommer brændstof på (for at undgå at der går ild i tøjet).
- Efterse brændstofdækslet med jævne mellemrum for at sikre, at det kan lukkes ordentligt, og der ikke lækker brændstof ud.
- Stram omhyggeligt brændstoftankens dæksel til. Skift sted inden motoren startes (mindst 3 meter væk fra stedet for brændstofpåfyldningen).
- Påfyld aldrig brændstof i lukkede rum. Der kan ophobes brændstofdampe i jordhøjde (risiko for eksplosion).
- Foretag kun transport og opbevaring af brændstof i godkendte beholdere. Sørg for, at brændstof opbevares således, at børn ikke har adgang til det.

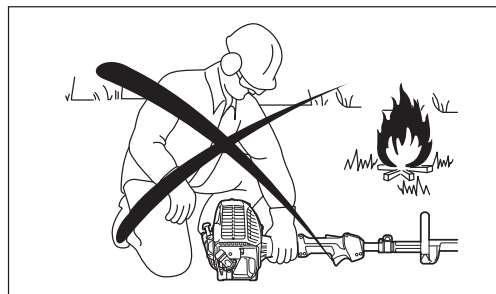


Betjeningsmetode

- Brug kun det multifunktionelle værktøjshoved under god belysning og med godt udsyn. I vintersæsonen skal du være på vagt overfor glatte eller våde områder, is og sne (der er risiko for at falde). Sørg altid for at have et godt fodfæste.
- Stå aldrig på en stige, når du arbejder med det multifunktionelle værktøjshoved.
- Kravl aldrig op i træer for at klippe eller skære med det multifunktionelle værktøjshoved.
- Arbejd aldrig på ustabile overflader.
- Inden brug af tilbehør skal tilbehøret have nået op på fuld arbejdshastighed.
- Hold pauser for at forhindre tab af kontrol pga. træthed. Vi anbefaler, at du tager en 10 til 20 minutters pause hver time.

Vedligeholdelsesvejledning

- Få din maskine servicert af dit autoriserede servicecenter og anvend altid kun originale reservedele. Forkert reparation og dårlig vedligeholdelse kan forkorte maskinens levetid og forøge risikoen for uheld.
- Brug det multifunktionelle værktøjshoved med omtanke og støj og foruren så lidt som muligt. Kontroller især den korrekte indstilling af karburatoren.
- Rengør det multifunktionelle værktøjshoved med jævne mellemrum og kontroller, at alle skruer og møtrikker er strammet ordentligt til.
- Du må aldrig foretage service på det multifunktionelle værktøjshoved eller opbevare det i nærheden af åben ild.
- Opbevar altid det multifunktionelle værktøjshoved på et aflåst sted og med en tom brændstoffank.



Overhold de relevante vejledninger angående ulykkesforebyggelse som udgives af de pågældende brancheforeninger og forsikringsfirmaer. Foretag ikke nogen ændringer på det multifunktionelle værktøjshoved, eftersom det sætter din sikkerhed i fare.

Udførslen af vedligeholdelsesarbejde eller reparationer af brugeren er begrænset til de ting, der er beskrevet i brugsanvisningen. Alt andet arbejde skal udføres af en godkendt serviceagent. Brug kun ægte reservedele og tilbehør som forhandles og leveres af MAKITA. Brug af ikke-godkendt tilbehør og værktøjer kan forøge risikoen for uheld. MAKITA påtager sig intet ansvar for ulykker eller skader, der er opstået på grund af brug af ikke-godkendte tilbehør, fastgørelsesmidler til tilbehør eller ekstraudstyr.

Førstehjælp

I tilfælde af en ulykke skal du sørge for at have en førstehjælpskasse i nærheden af det sted, hvor du udfører skærearbejde. Erstat straks de ting der benyttes fra førstehjælpskassen.

Oplys venligst følgende hvis du tilkalder hjælp:

- Sted for ulykke
- Hvad der er sket
- Antallet af tilskadedekomne personer
- Hvilke skader det drejer sig om
- Dit navn



Vibration

- Personer med dårligt blodomløb, der udsættes for kraftige vibrationer, risikerer beskadigelse af blodkar eller nervesystemet. Vibrationer kan medføre følgende symptomer i fingre, hænder eller håndled: Leddet "sover" (følelsesløshed), prikken, smerte, stikken, ændring af hudfarven eller af huden. Søg læge, hvis nogle af disse symptomer opstår!
- For at reducere risikoen for "hvide fingre" skal du holde dine hænder varme under anvendelsen og vedligeholde maskinen og tilbehøret på ordentlig vis.

EF-OVERENSSTEMMELSESERKLÆRING

Vi, **Makita Corporation**, erklærer som ansvarlig producent at følgende Makita-maskiner:

Maskinens betegnelse: Multifunktionelt værktøjshoved
Modelnummer/type: EX2650LH
Specifikationer: se skemaet "TEKNISKE DATA EX2650LH"
er en produktionsserie og

Overholder følgende europæiske direktiver:

2000/14/EF, 2006/42/EF

Og er produceret i overensstemmelse med følgende standarder eller standardiserede dokumenter:

EN/ISO11806, EN709, EN/ISO10517, EN/ISO11680, EN/ISO12100

Den tekniske dokumentation findes hos:

Makita International Europe Ltd., Technical Department,
Michigan Drive, Tongwell,
Milton Keynes, Bucks MK15 8JD, England

Den konformitetsvurderingsprocedure, der kræves af Direktiv 2000/14/EF, blev udført i henhold til appendiks V.

EX2650LH med EM400MP (Buskryddertilbehør)

Målt lydeffektniveau: 108,5 dB (A)

Garanteret lydeffektniveau: 113 dB (A)

EX2650LH med EM401MP (Buskryddertilbehør)

Målt lydeffektniveau: 102,7 dB (A)

Garanteret lydeffektniveau: 105 dB (A)

EX2650LH med ER400MP (Trådtrimmertilbehør)

Målt lydeffektniveau: 109,2 dB (A)

Garanteret lydeffektniveau: 116 dB (A)

EX2650LH med EN400MP (Hækkeklippertilbehør)

Målt lydeffektniveau: 103,8 dB (A)

Garanteret lydeffektniveau: 109 dB (A)

EX2650LH med EN400MP (Hækkeklippertilbehør) og LE400MP (Skaffforlængertilbehør)

Målt lydeffektniveau: 104,0 dB (A)

Garanteret lydeffektniveau: 106 dB (A)

EF-typeafprøvningscertifikatnr. som en stangsav med EY400MP, EY401MP, LE400MP er:

4811004.11016

EF-typeafprøvningen blev pr. 2006/42/EF udført af:

DEKRA Testing and Certification GmbH

Enderstraße 92b

01277 Dresden, Tyskland

Identifikationsnr. 2140

30. 1. 2012



Tomoyasu Kato

Direktør

Makita Corporation

3-11-8, Sumiyoshi-cho,

Anjo, Aichi, 446-8502, JAPAN

TEKNISKE DATA EX2650LH

Model		EX2650LH
		Bøjlehåndtag
Mål: længde x bredde x højde (uden klinger) med spærre	mm	975 x 323 x 241
Mål: længde x bredde x højde (uden klinger) uden spærre	mm	975 x 242 x 241
Vægt (uden plasticskærm og klinger)	kg	4,6
Volumen (brændstoftank)	l	0,6
Volumen (oliebeholder)	l	0,08
Motorvolumen	cm ³	25,4
Maksimal motorydelse	kw	0,77 ved 7.000 min ⁻¹
Motorhastighed ved anbefalet maksimal spindelhastighed	min ⁻¹	8.500
Maksimal spindelhastighed (tilsvarende)	min ⁻¹	6.500
Maksimalt brændstofforbrug	kg/t	0,33
Maksimalt specifikt brændstofforbrug	g/kwt	408
Tomgangshastighed	min ⁻¹	3.000
Omdrejningstal ved indkobling	min ⁻¹	3.900
Karburator	type	WALBRO WYL
Tænding	type	Integreret tænding
Tændrør	type	NGK CMR4A
Elektrodeafstand	mm	0,7 - 0,8
Brændstof		Almindelig benzin
Motorolie		SAE 10W-30 olie under API-klassificering, Klasse SF eller højere (4-takts bilmotor)

Vibration

Tilbehør	Højre håndtag (bagerste greb)		Venstre håndtag (forreste greb)		Gældende standarder
	a _{hv eq} (m/s ²)	Usikkerhed K (m/s ²)	a _{hv eq} (m/s ²)	Usikkerhed K (m/s ²)	
EM400MP	6,5	1,2	5,9	1,8	ISO 22867
EM401MP	5,6	2,1	4,8	1,0	ISO 22867
ER400MP	7,1	2,8	5,5	2,7	ISO 22867
EY400MP	9,4	2,0	4,2	2,0	ISO 22867
EY400MP + LE400MP	4,8	2,0	3,4	2,0	ISO 22867
EY401MP	6,5	2,0	3,8	2,0	ISO 22867
EY401MP + LE400MP	5,6	2,0	3,4	2,0	ISO 22867
EN400MP	8,4	1,8	5,0	0,7	ISO 10517
EN400MP + LE400MP	8,0	1,7	4,3	0,7	ISO 10517
KR400MP	5	1,1	4,4	2,3	ISO 22867
EJ400MP	7,1	1,5	4,9	1,5	ISO 22867
EJ400MP + LE400MP	6,4	0,6	4,0	0,7	ISO 22867

Støj

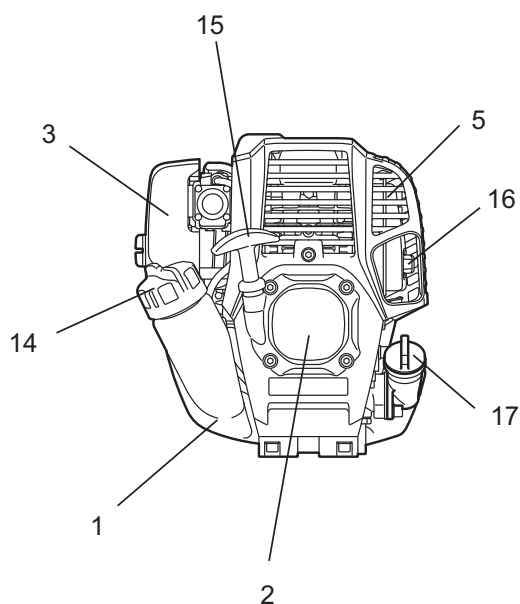
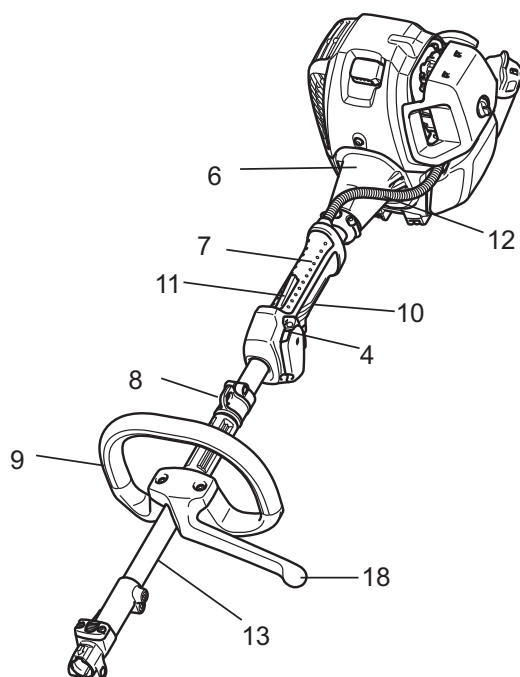
Tilbehør	Gennemsnitligt lydtryksniveau		Gennemsnitligt lydeffektniveau		Gældende standarder
	L _{PA,eq}	Usikkerhed K	L _{WA,eq}	Usikkerhed K	
EM400MP	95,0	4,4	105,5	3,3	ISO 22868
EM401MP	89,9	3,6	99,7	2,7	ISO 22868
ER400MP	97,9	4,2	106,2	4,0	ISO 22868
EY400MP	93,0	2,5	104,5	2,5	ISO 22868
EY400MP + LE400MP	90,3	2,5	107,8	2,5	ISO 22868
EY401MP	92,6	2,5	104,7	2,5	ISO 22868
EY401MP + LE400MP	90,5	2,5	107,9	2,5	ISO 22868
EN400MP	93,1	4,4	102,9	4,8	ISO 10517
EN400MP + LE400MP	87,8	1,9	103,0	2,0	ISO 10517
KR400MP	93,7	2,6	99,7	1,2	ISO 22868
EJ400MP	89,0	2,3	99,8	1,1	ISO 22868
EJ400MP + LE400MP	88,1	2,2	100,8	2,3	ISO 22868

GODKENDTE TILBEHØR

TILBEHØR	Modeller
Buskryddertilbehør	EM400MP, EM401MP
Trådtrimertilbehør	ER400MP
Stangsav-tilbehør	EY400MP, EY401MP
Hækkeklippertilbehør	EN400MP
Kultivatortilbehør	KR400MP
Kaffehøstningstilbehør	EJ400MP
Skafforlængertilbehør	LE400MP

DELENES BETEGNELSER

EX2650LH



DK	DELENES BETEGNELSER
1	Brændstoftank
2	Startsnor
3	Luftfilter
4	I-O kontakt (tænd/sluk)
5	Lyddæmper
6	Koblingshus
7	Bagerste greb
8	Bøjle
9	Håndtag
10	Gashåndtag
11	Lås-fra-mekanisme
12	Styrekabel
13	Skaft
14	Brændstofdæksel
15	Starthåndtag
16	Udstødningsrør
17	Oljedæksel
18	Spærre*

Bemærk: I visse lande følger spærren ikke med maskinen.

MONTERING AF HÅNDTAG

FORSIGTIG: Inden der foretages noget arbejde på det multifunktionelle værktøjshoved, skal motoren altid stoppes, og tændrørshætten skal tages af tændrøret.

Bær altid beskyttelseshandsker!

FORSIGTIG: Start kun det multifunktionelle værktøjshoved efter det er helt samlet.

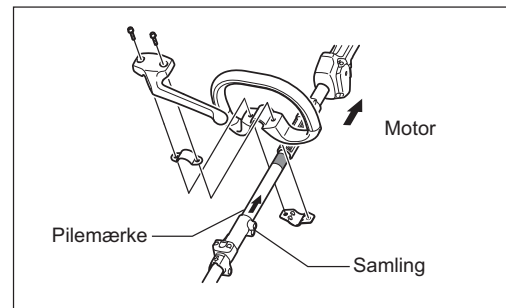


Samling af bøjlehåndtaget

- Monter spærren og grebet ordentligt på skaftet med to skruer og klemmer. På dette tidspunkt skal du placere spærren på venstre side af maskinen som illustreret.
- Sørg for at grebets/spærrens montering er placeret mellem afstandsstykket og pilemærket. Du må hverken fjerne eller formindske afstandsstykket.
- Når den først er monteret, må du ikke fjerne spærren.

FORSIGTIG: Monter aldrig grebet på etiketten eller samlingen.

Bemærk: I visse lande følger spærren og pilemærket ikke med maskinen.



MONTRERING AF TILBEHØR

FORSIGTIG: Inden der foretages noget arbejde på det multifunktionelle værktøjshoved, skal motoren altid stoppes, og tændrørshætten skal tages af tændrøret.

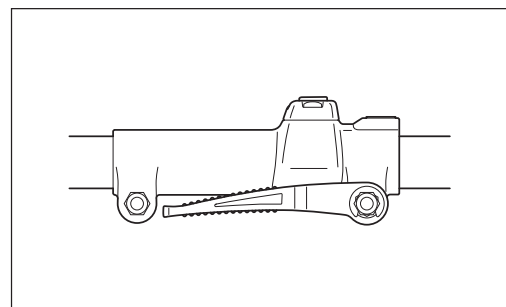
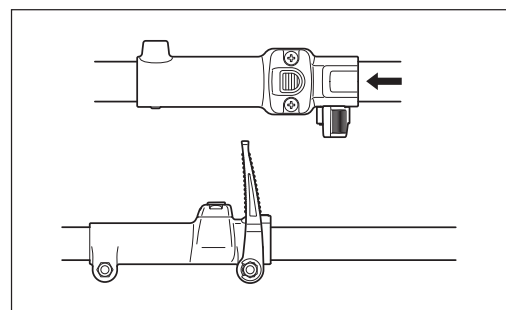
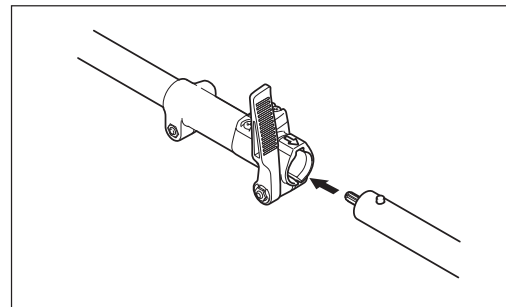
Bær altid beskyttelseshandsker!

FORSIGTIG: Start kun det multifunktionelle værktøjshoved efter det er helt samlet.



Samling

- Løsn håndtaget.
- Juster tilbehørets stift ind efter rillen i samlingen og indsæt stiften.
- Sæt tilbehøret ind op til tilbehørets pileposition. Kontroller, at knappen er knappen er hævet.
- Stram håndtaget.
(Se diagrammet til højre for vejledning.)

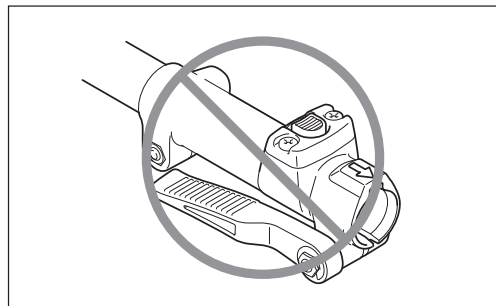
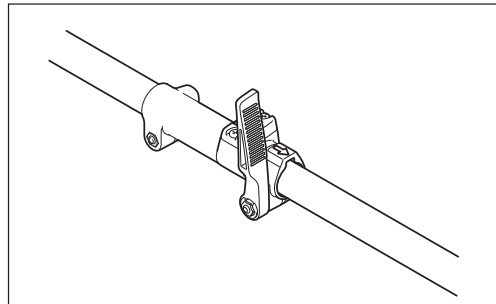


AFMONTERING

- Løsn håndtaget.
- Tryk på knappen for at trække tilbehøret ud.
(Prøv så meget som muligt at trække tilbehøret ud i en lige linje.)

Bemærk:

- Lad ikke håndtaget forblive spændt, når der ikke er monteret noget tilbehør.



INDEN ANVENDELSE

Eftersyn og opfyldning af motorolie

- Udfør den følgende procedure med afkølet motor.
- Hold motoren vandret, fjern oliedækslet (Fig. 1) og kontroller om der er olie i området mellem olierørets mærker for øvre og nedre grænse (Fig. 2).
- Påfyld olie op til mærket for den øvre grænse, hvis der mangler olie (oliestanden er tæt på mærket for den nedre grænse) (Fig. 3).
- Området omkring de udvendige mærker er gennemsigtigt, så den indvendige oliemængde kan kontrolleres, uden at oliedækslet behøves at tages af. Men hvis olierøret bliver meget beskidt, kan det blive svært at se udefra, og oliestanden må kontrolleres vha. det trindelte afsnit inden i olierøret.
- Som reference skal der påfyldes olie ca. hver 10. time (hver 10 påfyldninger).
Hvis olien skifter farve, eller der kommer snavs i, skal den udskiftes med ny olie. (For udskiftningsinterval og metode, se side 164)

Anbefalet olie: SAE 10W-30 olie under API-klassifikation, klasse SF eller højere (4-takts bilmotor)

Oliemængde: Cirka 0,08 l

Bemærk: Hvis motoren ikke holdes i oprejst stilling, kan olien bevæge sig rundt i motoren, og der fyldes muligvis for meget på.
Hvis der påfyldes olie over grænsen, kan olien blive beskidt og eventuelt antændes med afgivelse af hvid røg til følge.

Punkt 1 i Udskiftning af olie: "Oliedæksel"

- Fjern støv og snavs i nærheden af oliepåfyldningsåbningen og fjern oliedækslet.
- Sørg for at holde det aftagne oliedæksel fri for sand og støv. I modsat fald kan sand eller støv, der sidder fast på oliedækslet medføre irregulær oliecirkulation eller slid på motordelene, hvilket kan forårsage problemer.

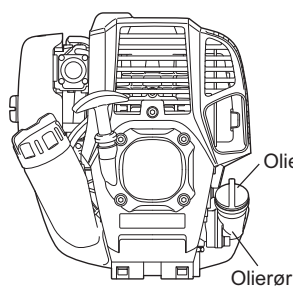


Fig. 1

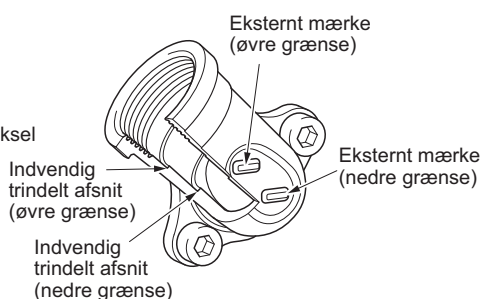
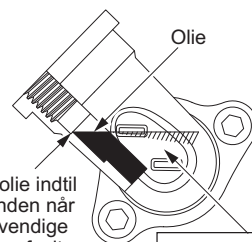


Fig. 2 Olierør

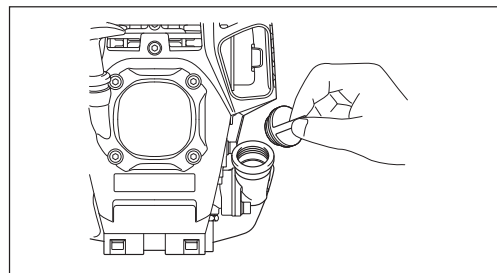


Påfyld olie indtil oliestanden når det indvendige trindelte afsnit (øvre grænse).

Området mellem de eksterne ydre og nedre grænser er gennemsigtigt, så oliestanden kan kan kontrolleres udefra vha. disse mærker.

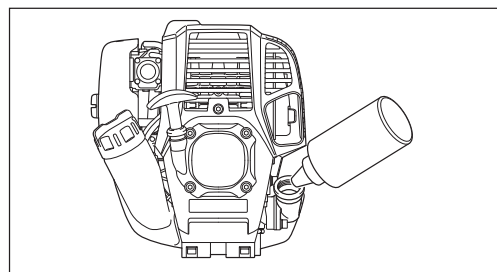
Fig. 3

- (1) Hold motoren vandret og fjern oliedækslet.



- (2) Påfyld olie op til mærket for den øverste grænse. (se Fig. 3)
Brug en oliekanne ved påfyldning.

- (3) Stram oliedækslet ordentligt til. Der kan spildes olie, hvis det ikke strammes ordentligt.



Bemærk

- Skift ikke olie, mens motoren er i en vippet position.
- Påfyldes der olie, mens motoren er vippet, medfører det overopfyldning, hvilket forårsager olieforurening og/eller hvid røg.

Punkt 2 i Udskiftning af olie: "Hvis der spildes olie"

- Hvis der spildes olie mellem brændstoftanken og motoren, suges olien ind gennem luftafkølingsindtaget, hvilket kan forurene motoren. Sørg for at tørre spildt olie af inden start af maskinen.

PÅFYLDNING AF BRÆNDSTOF

Håndtering af brændstof

Det er nødvendigt at håndtere brændstof med stor forsigtighed. Brændstof kan indeholde substanser, der minder om opløsningsmidler. Påfyldning af brændstof skal udføres i et tilstrækkeligt ventileret rum eller i fri luft. Indhaler aldrig brændstofdampe og hold brændstof væk fra dig. Hvis du rører gentagne gange ved brændstof, eller i lang tid, bliver huden tør, og det kan muligvis medføre hudsygdomme eller allergi. Hvis du får brændstof i øjet, skal du rense øjet med rent vand. Hvis det stadig er irriteret, skal du kontakte en læge.

Opbevaringsperiode for brændstof

Brændstof bør opbruges inden for 4 uger, selvom det opbevares i en særlig beholder på et sted i skyggen med god udluftning. Hvis der ikke anvendes en særlig beholder, eller hvis beholderen ikke er dækket til, kan brændstoffet nedbrydes på en dag.

OPBEVARING AF MASKINE OG GENOPFYLDNINGSTANK

- Opbevar maskinen og tanken på et køligt sted uden for direkte sollys.
- Opbevar aldrig brændstof inde i kabinen eller i bagagerummet på en bil.

Brændstof

Motoren er en firetakts motor. Sørg for at anvende benzin til biler (almindelig benzin eller superbensin).

Punkter angående brændstof

- Brug aldrig en benzinblanding der indeholder motorolie. I modsat fald vil det medføre en for stor kulophobning eller mekaniske problemer.
- Brug af gammel olie medfører startproblemer.

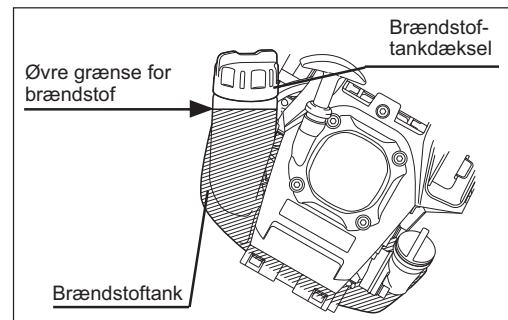
Påfyldning af brændstof

ADVARSEL: BRÆNDBARE STOFFER ER STRENGT FORBUDT

Anvendt benzin: Benzin til biler (blyfri)

- Løsn tankdækslet en lille smule, sådan at der ikke er nogen forskel i atmosfærisk tryk.
- Tag tankdækslet af, påfyld brændstof og luk luften ud ved at tippe brændstoftanken sådan at brændstofåbningen vender opad. (Fyld aldrig brændstof i oliepåfyldningsåbningen.)
- Tør tankdækslet ordentligt af for at forhindre fremmedlegemer i at komme ned i brændstoftanken.
- Efter påfyldning af brændstof strammes tankdækslet ordentligt til.

- Hvis der er revner eller skader på tankdækslet, skal det udskiftes.
- Tankdækslet er en forbrugsdel og bør derfor altid udskiftes efter to til tre år.



KORREKT HÅNDBTERING AF MASKINEN

Montering af bærerem

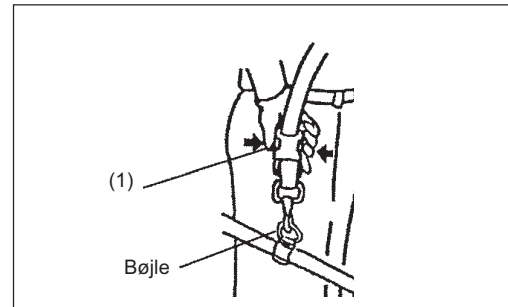
- Juster bæreremmen til den passende længde til arbejdet.

Aftagning

- I en nødsituations skal du trykke på indhakkene (1) på begge sider, så du kan frigøre dig fra maskinen.

Du skal være meget omhyggelig med at beholde kontrollen over maskinen på dette tidspunkt. Tillad ikke maskinen at blive slået tilbage mod dig eller andre i nærheden.

ADVARSEL: Hvis du ikke har fuld kontrol over maskinen, kan det resultere i alvorlig kvæstelse eller DØD.



PUNKTER VEDRØRENDE BETJENING OG STOPPROCEDURE

Overhold de gældende bestemmelser for ulykkesforebyggelse!

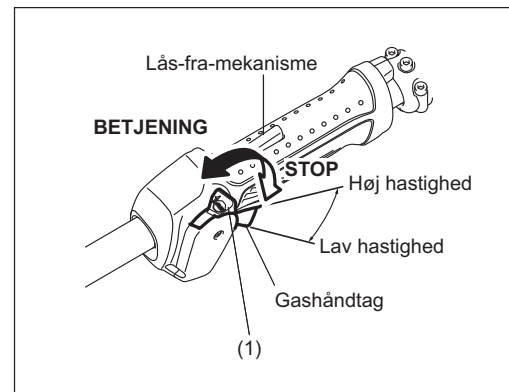


START

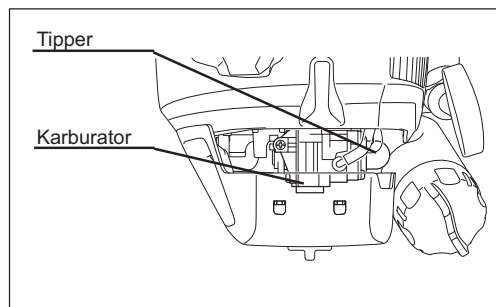
Gå mindst 3 m væk fra stedet for brændstofpåfyldningen. Placer det multifunktionelle værktøjshoved på et rent jordunderlag, mens du passer på, at tilbehøret ikke kommer i kontakt med jorden eller andre genstande.

A: Koldstart

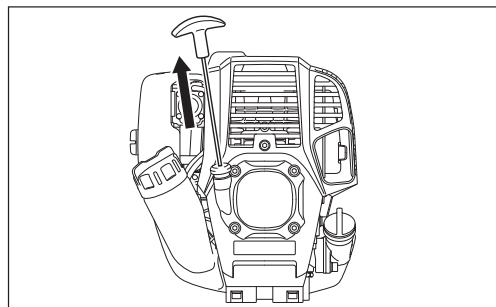
- 1) Placer maskinen på et plant område.
- 2) Sæt I-O kontakten (1) på BETJENING.



- 3) Tipper
 Fortsæt med at trykke på tipperen indtil der kommer brændstof ind i tipperen.
 (Normalt kommer der brændstof ind i tipperen efter 7 til 10 tryk.)
 Hvis der trykkes for meget på tipperen, vender det overskydende brændstof tilbage til brændstoftanken.



- 4) Rekylstarter
 Træk forsigtigt i starthåndtaget indtil det bliver hårdt at trække i (kompressionspunktet). Før derefter starthåndtaget tilbage, og træk hårdt i det.
 Træk aldrig snoren helt ud. Når først starthåndtaget er trukket, må du aldrig slippe med det samme. Hold i starthåndtaget indtil det vender tilbage til den oprindelige position.
- 5) Opvarmning
 Fortsæt opvarmning i 2 til 3 minutter.



Bemærk: Hvis der er opstået et for stort brændstofindtag, skal du fjerne tændrøret og trække langsomt i starthåndtaget for at fjerne det overskydende brændstof. Tør også tændrørets elektrodedel af.

Vær opmærksom på følgende under arbejdet:

Hvis gashåndtaget åbnes helt op, uden der er nogen belastning, stiger motoromdrejningerne til 10.000 min⁻¹ eller mere. Betjen aldrig motoren ved en højere hastighed end nødvendigt, og hold en omtrentlig hastighed på 6.000 - 8.500 min⁻¹.

B: Opstart efter opvarmning

- 1) Tryk gentagne gange på tipperen.
- 2) Hold gashåndtaget på tomgangspositionen.
- 3) Træk hårdt i rekylstarteren.
- 4) Hvis det er svært at starte motoren, skal du åbne gashåndtaget med cirka en 1/3.
 Vær opmærksom på tilbehøret der muligvis roterer.

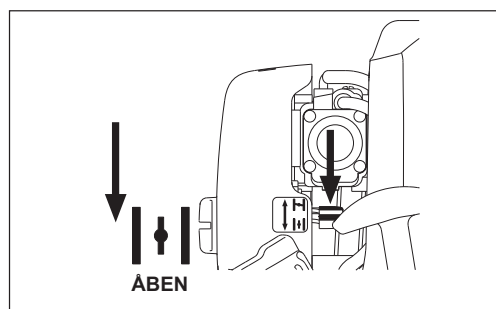
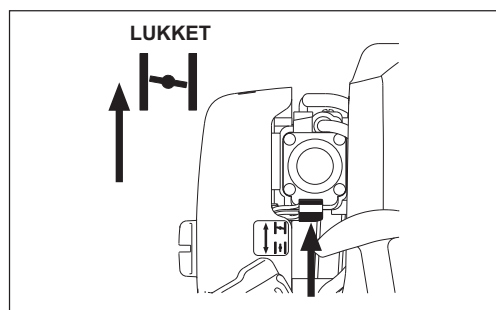
Når det er vanskeligt at starte motoren som f.eks. om vinteren

Betjen chokerhåndtaget vha. den følgende procedure, når motoren startes.

- Efter udførelse af starttrinene 1) til 3) skal du indstille chokerhåndtaget på LUKKET-positionen.
- Udfør starttrin 4) og start motoren.
- Når først motoren starter, indstilles chokerhåndtaget på ÅBEN-positionen.
- Udfør starttrin 5) og gennemfør opvarmningen.

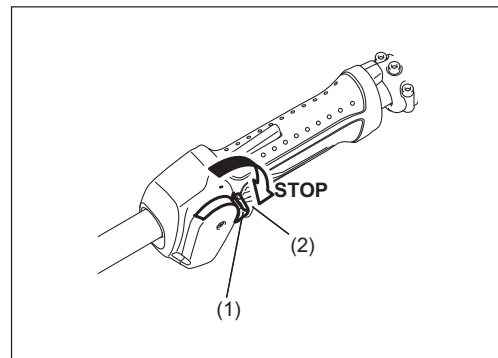
FORSIGTIG: Hvis der høres et knald (eksploderende lyd), og motoren stopper, eller den netop startede motor går i stå, inden chokerhåndtaget betjenes, sættes chokerhåndtaget tilbage på ÅBEN-positionen, hvorefter du skal trække et par gange i starthåndtaget igen for at starte motoren.

FORSIGTIG: Hvis chokerhåndtaget lades være i LUKKET-positionen, og der blot trækkes gentagne gange i starthåndtaget, suges der for meget brændstof ind, og det bliver svært at starte motoren.



STOPPROCEDURE

- 1) Slip gashåndtaget (2) helt, og når motorens omdrejninger er faldet, skal du skubbe I-O kontakten over på STOP for at standse motoren.
- 2) Vær opmærksom på at tilbehøret muligvis ikke stopper øjeblikkeligt, og giv det tid til at bremse helt ned.

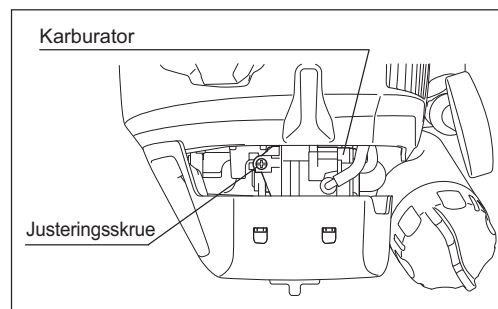


JUSTERING AF OMDREJNINGER VED LAV HASTIGHED (TOMGANG)

Når det er nødvendigt at justere omdrejningerne ved lav hastighed (tomgang), skal du justere på karburatorens justeringsskrue.

KONTROL AF OMDREJNINGER VED LAV HASTIGHED

- Indstil omdrejningerne ved lav hastighed til 3.000 min^{-1} . Hvis det er svært at ændre omdrejningshastigheden, drejes der på justeringsskruen (illustreret til højre) med en ligekærvet skruetrækker.
- Drej justeringsskruen til højre og motoromdrejningerne forøges. Drej justeringsskruen til venstre for at sænke motoromdrejningerne.
- Karburatoren justeres almindeligvis inden afsending. Hvis det er nødvendigt at justere den, kontakt venligst en godkendt serviceagent.



VEDLIGEHODELSESINSTRUKTIONER

FORSIGTIG: Inden der foretages noget arbejde på det multifunktionelle værktøjshoved, skal motoren altid stoppes, og tændrørshætten skal tages af tændrøret (se "kontrol af tændrøret").

Bær altid beskyttelseshandsker!

Brug aldrig benzin, benzen, fortynder, alkohol eller lignende.

Det kan muligvis medføre misfarvning, deformation eller revner.

Udfør følgende vedligeholdelse med jævne intervaller for at sikre en lang brugslevetid og for at undgå skader på maskinen.

Dagligt eftersyn og vedligeholdelse

- Kontroller inden brug maskinen for løse skruer eller manglende dele. Kontroller især at et specificeret tilbehør er ordentligt monteret.
- Inden anvendelse skal du altid kontrollere for tilstopning af luftafkølingskanalen og cylinderribberne. Rengør dem om nødvendigt.
- Udfør dagligt følgende vedligeholdelse efter brug:
 - Rengør det multifunktionelle værktøjshoved udvendigt og undersøg for skader.
 - Rens luftfilteret. Rens filteret flere gange om dagen, når du arbejder i ekstremt støvede omgivelser.
 - Kontroller, om der er tilstrækkelig forskel mellem tomgang- og arbejds hastigheder for at sikre, at tilbehøret ikke bevæger sig, når motoren er i tomgang (hvis det er nødvendigt, skal du reducere tomgangshastigheden). Hvis værktøjet stadig kører under tomgang, skal du konsultere den nærmeste godkendte serviceagent.
- Kontroller funktionen af I-O kontakten, lås-fra-mekanismen og gashåndtaget.

UDSKIFTNING AF MOTOROLIE

Gammel motorolie forkorter drastisk levetiden for glidende og roterende dele. Sørg for at kontrollere udskiftningstid og kvantitet.



BEMÆRK: Generelt er motoren og motorolien stadig meget varm lige efter, at motoren er stoppet. Ved udskiftning af olien skal du sørge for, at motoren og motorolien er tilstrækkeligt afkølet. Ellers er der risiko for forbrænding.

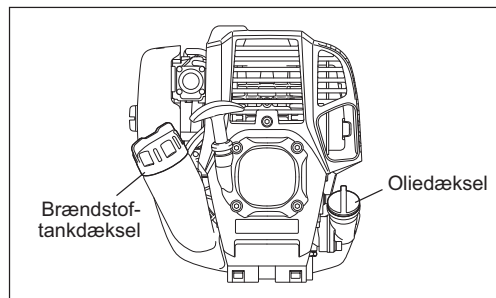
Bemærk: Hvis der påfyldes olie over grænsen, kan olien blive beskidt og eventuelt antændes med afgivelse af hvid røg til følge.

Interval for udskiftning: I starten efter hver 20 driftstimer, og efterfølgende efter hver 50 driftstimer

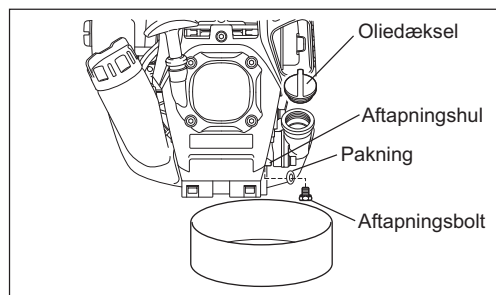
Anbefalet olie: SAE 10W-30 olie under API-klassifikation, klasse SF eller højere (4-takts bilmotor)

For udskiftning, udfør følgende procedure.

- 1) Bekræft, at brændstoftankdækslet er strammet ordentligt til.
- 2) Placer en stor beholder (skål e.l.) under aftapningshullet.

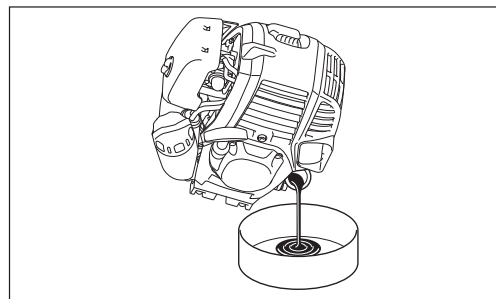


- 3) Fjern aftapningsbolten og fjern derefter oliedækslet for at aftappe olien via aftapningshullet. Pas på ikke at forlægge pakningen til aftapningsbolten, og sørg for at de fjernede komponenter ikke snavses til.
- 4) Når først al olien er tappet af, samles pakningen og aftapningsbolten, hvorefter aftapningsbolten strammes ordentligt til, så den ikke løsner sig og medfører lækager.
 - * Brug en klud til at tørre eventuelt olie på bolten og udstyret af med.

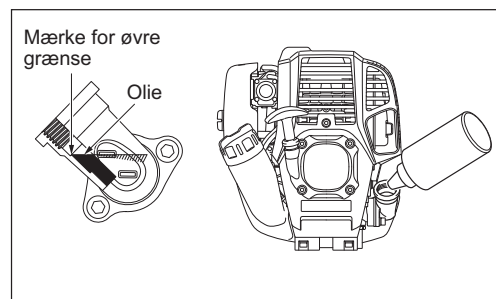
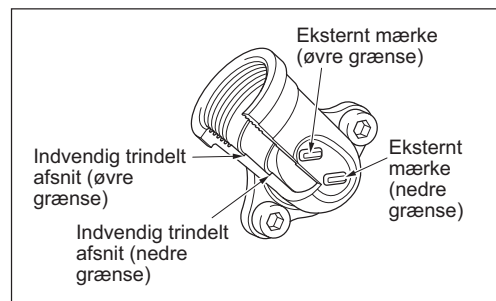


Alternativ aftapningsmetode

Fjern oliedækslet, vip det multifunktionelle værktøjshoved mod oliepåfyldningshullet og tap olien af. Opsaml olien i en beholder.



- 5) Hold motoren vandret og påfyld gradvist ny olie op til mærket for den øvre grænse.
- 6) Efter påfyldning skal oliedækslet fastgøres ordentligt, så det ikke løsner sig og medfører lækager.
Hvis oliedækslet ikke strammes ordentligt, kan det medføre lækage.



PUNKTER VEDRØRENDE OLIE

- Smid aldrig skiftet motorolie ud sammen med almindeligt affald, på jorden eller i kloakken. Bortskaffelse af olie er reguleret via loven. De relevante love og bestemmelser skal altid følges ved bortskaffelse af olie. Kontakt en godkendt serviceagent ved tvivlspørgsmål.
- Olien nedbrydes, selvom den ikke bruges. Udfør eftersyn og udskiftning med jævne intervaller (udskift med ny olie hver 6. måned).

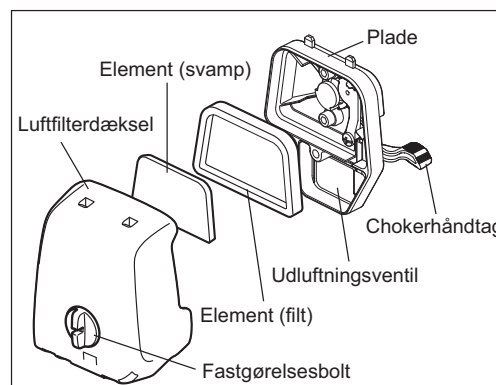
RENGØRING AF LUFTFILTER



FARE: BRÆNDBARE STOFFER ER STRENGT FORBUDT

Interval for rengøring og eftersyn: Dagligt (hver 10. driftstime)

- Drej chokerhåndtaget helt over til den lukkede side og hold karburatoren fri fra støv og snavs.
- Løsn fastgørelsesbolten.
- Tag luftfilterdækslet af ved at trække i dets underside.
- Tag elementerne af og bank dem let for at fjerne snavs.
- Hvis elementerne er meget beskidte:
Tag elementerne af, dyp dem ned i varmt vand eller et neutralt rengøringsmiddel fortyndet med vand, og tør dem fuldstændigt. Undgå at klemme eller gnide dem under vask.
- Sørg for, at elementerne er helt tørre, inden du sætter dem på igen. Utilstrækkelig tørring af elementerne kan gøre det svært at starte.
- Tør derefter olie, der sidder omkring luftfilterdækslet og udluftningsventilen af med en klud.
- Pas elementet (svampen) ind i elementet (filt).
- Pas elementerne ind i pladen så svampen peger mod luftfilterdækslet.
- Monter straks luftfilterdækslet og spænd det fast med fastgørelsesbolte. (Ved genmonteringen placeres den øvre tap først og derefter den nedre tap.)



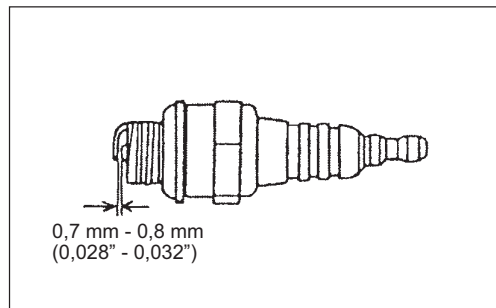
BEMÆRK:

- Rengør elementerne flere gange om dagen, hvis der sætter sig meget støv i det. Beskidte elementer reducerer motorkraften, og gør det sværere at starte motoren.
- Fjern olie på elementerne. Hvis maskinen fortsat anvendes, uden at elementerne rengøres for olie, kan olien i luftfilteret muligvis falde ud og resultere i forurening af miljøet.
- Placer ikke elementerne på jorden eller på et beskidt sted. Ellers kan de opsamle støv eller snavs, hvilket kan beskadige motoren.
- Brug aldrig brændstof til rengøring af elementerne. Brændstof kan beskadige dem.

KONTROL AF TÆNDRØRET

- Anvend kun den medfølgende skiftenøgle til at afmontere og montere tændrøret med.
- Afstanden mellem tændrørets to elektroder bør være på 0,7 - 0,8 mm (0,028" - 0,032"). Hvis afstanden er for stor eller for lille, skal du justere den. Hvis tændrøret er sodet til eller beskidt, skal du rense det ordentligt og eller udskifte det.

FORSIGTIG: Rør aldrig ved tændrørshætten, mens motoren kører (der er risiko for elektrisk stød med høj spænding).



RENGØRING AF BRÆNDSTOFFILTER

ADVARSEL: BRÆNDBARE STOFFER ER STRENGT FORBUDT

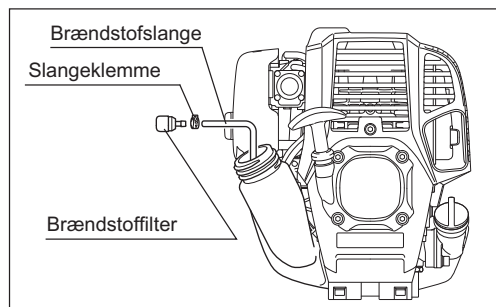
Interval for rengøring og eftersyn: Hver måned (hver 50. driftstime)

Sugehoved i brændstoftanken

Kontroller jævnligt brændstoffilteret. For at kontrollere brændstoffilteret skal du følge trinene nedenfor.

- (1) Tag tankdækslet af og tøm tanken for brændstof. Kontroller tanken indvendigt for fremmedlegemer. Fjern dem, hvis der er nogen.
- (2) Brug en trådkrog til at trække sugehovedet ud gennem tankåbningen.
- (3) Hvis brændstoffilteret er lettere tilstoppet, skal det rengøres. Rengør det ved at ryste det forsigtigt og banke det let i brændstof. For at undgå beskadigelse skal du ikke klemme eller gnide det. Det brændstof, der anvendes til rengøring, skal bortskaffes i henhold til den metode, som er anført i bestemmelserne for dit land. Hvis brændstoffilteret bliver hårdt eller meget tilstoppet, skal det udskiftes.
- (4) Efter kontrol, rengøring eller udskiftning skal du trykke brændstoffilteret helt ned i bunden af brændstoftanken.

Et tilstoppet eller beskadiget brændstoffilter kan medføre utilstrækkelig brændstofforsyning og reducere motorkraften. Udskift brændstoffilteret mindst én gang i kvartalet for at sikre tilfredsstillende brændstofførsel til karburatoren.



UDSKIFTNING AF BRÆNDSTOFSLANGE

FORSIGTIG: BRÆNDBARE STOFFER ER STRENGT FORBUDT

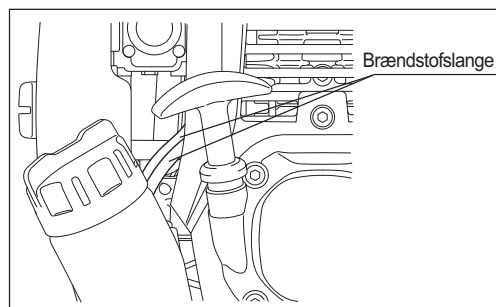
Interval for rengøring og eftersyn: Dagligt (hver 10. driftstime)

Udskiftning: Årligt (hver 200. driftstime)

Udskift brændstofslangen hvert år uanset antallet af driftstimer.

Brændstofflækage kan føre til brand.

Hvis der opdages utætheder under inspektion, skal brændstofslangen straks udskiftes.



EFTERSYN AF BOLTE, MØTRIKKER OG SKRUER

- Efterspænd løse bolte, møtrikker osv.
- Kontroller for brændstof- og olielækage.
- Udskift beskadigede dele med nye for sikker betjening.

RENGØRING AF DELE

- Hold altid motoren ren.
- Hold altid cylinderrubberne fri for støv og snavs. Støv eller snavs der sidder fast på ribberne kan forårsage stempelstop.

UDSKIFTNING AF TÆTNINGER OG PAKNINGER

Når maskinen samles igen efter at have været adskilt, skal du sørge for at udskifte tætningerne og pakningerne med nye.

Alt vedligeholdelses- eller justeringsarbejde, der ikke er inkluderet og beskrevet i denne brugsanvisning, må kun udføres af autoriserede serviceagenter.

OPBEVARING

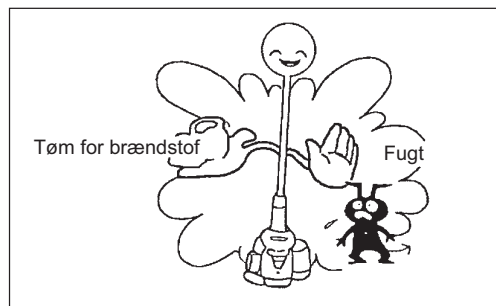


ADVARSEL: Når du aftapper brændstoffet, skal du sørge for at stoppe motoren, og sikre dig, at motoren køler af.
Når motoren lige er stoppet, er den muligvis stadig varm, og der er risiko for forbrændinger, letantændelighed og brand.



BEMÆRK: Når maskinen ikke skal anvendes i længere tid, skal du tømme al brændstoffet ud af tanken og karburatoren, og opbevare den på et tørt og rent sted.

- Tøm brændstoftanken og karburatoren for brændstof i henhold til den følgende procedure:
 - 1) Tag tankdækslet af og tøm alt brændstoffet ud.
Hvis der er fremmedlegemer/snavs tilbage i brændstoftanken, skal det fjernes fuldstændigt.
 - 2) Træk brændstoffilteret ud gennem påfyldningsåbningen med en metaltråd.
 - 3) Tryk på tipperen indtil den er tømt for brændstof, og udtøm derefter det brændstof der kom ind brændstoftanken.
 - 4) Placer filteret tilbage i brændstoftanken og stram tankdækslet ordentligt til.
 - 5) Lad derefter motoren køre indtil den stopper.
- Fjern tændrøret og dryp adskillige dråber motorolie ned gennem tændrørshullet.
- Træk forsigtigt i starthåndtaget så motorolien spredes ud i motoren, og sæt tændrøret på.
- Sæt ikke håndtaget i den låste position, når der ikke er monteret noget tilbehør.
Når håndtaget er i den låste position, uden der er monteret noget tilbehør, er det ikke muligt at montere tilbehørets skaft.
- Under opbevaring skal stangen holdes vandret, eller maskinen kan stilles oprejst med samlingens kant vendende opad. (I dette tilfælde skal du passe meget på, at maskinen ikke vælter.)
Opbevar aldrig maskinen med samlingens kant vendende nedad. Der kan løbe olie ud.
- Opbevar det udtømte brændstof i særlig beholder på et sted i skygge med god ventilation.



Bemærk efter lang tids opbevaring

- Inden start efter lang tids opbevaring skal du sørge for at udskifte olien (se S 164). Olien nedbrydes, mens maskinen ikke anvendes.

Lokalisering af fejl

Fejl	System	Observation	Årsag
Motoren starter ikke, eller har svært ved det	Tænding	Tændingsgnist OK	Fejl i brændstofføforslen eller kompressionssystemet, mekanisk fejl
		Ingen tændingsgnist	Betjening af STOP-kontakten, fejl i ledningsnettet eller kortslutning, tændrør eller tændrørshætte defekt, fejl i tændmodul
	Brændstofføforsel	Brændstoftank fuld	Forkert chokerposition, karburator defekt, brændstofslange bøjet eller blokeret, brændstof beskidt
	Kompression	Ingen kompression ved træk	Cylinderbundpakning defekt, beskadigede krumpakningspakninger, cylinder eller stempelringe beskadigede eller tændrørspakning ikke tæt
Problemer ved varmstart	Mekanisk fejl	Starter griber ikke fat	Starterfjederen er i stykker, dele inde i motoren er i stykker
		Fuld tank, med tændgnist	Snavset karburator, få den renset
Motor starter, men dør	Brændstofføforsel	Brændstof i tanken	Forkert tomgangsjustering, karburator snavset Tankluftningsventil defekt, brændstofslangen afbrudt, kabel eller STOP-kontakt defekt
Manglende ydeevne	Flere systemer kan være samtidigt påvirkede	Dårlig motortomgang	Luftfilter snavset, karburator snavset, lyddæmper tilstoppet, udstødningskanal i cylinderen tilstoppet

Del \ Driftstid		Inden brug	Efter smøring	Dagligt (10 t)	30 t	50 t	200 t	Sluk/pause	Se side
Motorolie	Efterse/rengør	○							160
	Udskift					○*1			164
Fastgørende dele (bolte, møtrikker)	Efterse	○							166
Brændstoftank	Rengør/ efterse	○							—
	Tøm for brændstof							○*3	167
Gashåndtag	Kontroller funktion		○						—
Stop-kontakt	Kontroller funktion		○						163
Omdrejninger ved lav hastighed	Efterse/juster			○					163
Luftfilter	Rengør			○					165
Tændrør	Efterse			○					166
Luftafkølingskanal	Rengør/ efterse			○					166
Brændstofslange	Efterse			○					166
	Udskift						◎*2		—
Brændstoffilter	Rengør/udskift					○			166
Afstand mellem luftindtagsventilen og luftudledningsventilen	Juster						◎*2		—
Motoreftersyn							◎*2		—
Karburator	Tøm for brændstof							○*3	167

*1 Foretag første udskiftning efter 20 timers brug.

*2 Ved 200 driftstimers-eftersynet skal du henvende dig til en godkendt serviceagent eller en maskinforretning.

*3 Efter tømning af brændstoftanken skal du lade motoren fortsætte med at køre og tømme karburatoren for brændstof.

Kontroller brugsanvisningerne for hvert tilbehør og udfør vedligeholdelse på dem, når de anvendes.

FEJLFINDING

Kontroller selv for fejl, inden du anmoder om reparation. Hvis du finder noget unormalt, skal du kontrollere maskinen i henhold til beskrivelsen i denne brugsanvisning. Undlad at pille ved eller afmontere dele i strid med beskrivelsen. Kontakt en godkendt serviceagent eller lokal forhandler.

Problem	Sandsynlig årsag (funktionsfejl)	Afhjælpning
Motoren starter ikke	Tipperen er ikke blevet anvendt	Tryk 7 til 10 gange
	Langsom træk hastighed ved træk i startersnoren	Træk hårdt til
	Mangel på brændstof	Påfyld brændstof
	Tilstoppet brændstoffilter	Rengør
	Knækket brændstofslange	Ret brændstofslangen ud
	Gammelt brændstof	Gammelt brændstof gør det svært at starte. Udskift med nyt. (Anbefalet udskiftning: 1 måned)
	For stort brændstofindtag	Sæt gashåndtaget fra medium hastighed til høj hastighed, og træk i starthåndtaget, indtil motoren starter. Når først motoren starter, begynder tilbehøret at rotere eller bevæge sig. Vær fuldt opmærksom på tilbehøret. Hvis motoren stadig ikke starter, fjern tændrørshætten, tør elektroden af, og saml dem igen. Start derefter som anvist.
	Aftaget tændrørshætte	Sæt den ordentligt på
	Snavset tændrør	Rengør
	Unormal tændrørsafstand	Juster afstanden
	Andre problemer med tændrør	Udskift
	Unormal karburator	Anmod om eftersyn og vedligeholdelse.
	Startersnor kan ikke trækkes ud	Anmod om eftersyn og vedligeholdelse.
	Unormalt drivsystem	Anmod om eftersyn og vedligeholdelse.
Motoren stopper hurtigt Motorhastigheden stiger ikke	Utilstrækkelig opvarmning	Foretag opvarmning
	Chokerhåndtaget er sat på "LUKKET"-positionen, selvom motoren er varmet op.	Sæt den til "ÅBEN"
	Tilstoppet brændstoffilter	Rengør eller udskift
	Snavset og tilstoppet luftfilter	Rengør
	Unormal karburator	Anmod om eftersyn og vedligeholdelse.
	Unormalt drivsystem	Anmod om eftersyn og vedligeholdelse.
Tilbehøret roterer eller bevæges sig ikke	Tilbehøret er ikke ført helt ind til det specificerede punkt.	Indsæt det som anført.
↓ Stop straks motoren	Unormalt drivsystem	Anmod om eftersyn og vedligeholdelse.
Maskinen vibrerer unormalt	Tilbehøret er ikke ført helt ind til det specificerede punkt.	Indsæt det som anført.
	Løst håndtag	Stram ordentligt til.
	Unormalt drivsystem	Anmod om eftersyn og vedligeholdelse.
Tilbehøret stopper ikke øjeblikkeligt	Høj tomgangsrotation	Juster
	Afbrudt gashåndtagsledning	Sæt den ordentligt på
	Unormalt drivsystem	Anmod om eftersyn og vedligeholdelse.
Motoren stopper ikke	Løst kontakt	Sæt den ordentligt på
	Unormalt el-system	Anmod om eftersyn og vedligeholdelse.
	↓ Kør motoren i tomgang og sæt chokerhåndtaget til LUKKET	

Når motoren ikke starter efter foretagelse af opvarmning:

Hvis der ikke er fundet noget unormalt blandt de kontrollerede punkter, skal du åbne gashåndtaget cirka 1/3 og starte motoren.

Σας ευχαριστούμε για την αγορά της Βενζινοκίνητης Κεφαλής Πολλαπλών Χρήσεων της MAKITA. Βρισκόμαστε στην ευχάριστη θέση να σας συστήσουμε τη Βενζινοκίνητη Κεφαλή Πολλαπλών Χρήσεων της MAKITA, η οποία είναι το αποτέλεσμα ενός μακρού προγράμματος ανάπτυξης και πολλών χρόνων γνώσεων και εμπειρίας. Παρακαλώ διαβάστε αυτό το φυλλάδιο το οποίο αναφέρεται λεπτομερώς στα διάφορα σημεία που θα επιδείξουν την εξαιρετική της απόδοση. Αυτό θα σας βοηθήσει να αποκτήσετε τα καλύτερα δυνατά αποτελέσματα από τη Βενζινοκίνητη Κεφαλή Πολλαπλών Χρήσεων της MAKITA.



Πίνακας περιεχομένων

Σελίδα

Συμβολα	170
Οδηγίες ασφαλείας	171
Τεχνικά στοιχεία	175
Εγκεκριμένα προσαρτηματα	176
Καθορισμος εξαρτηματων	177
Στερεωση του χερουλιου	178
Στερεωση προσαρτηματος	178
Αποσυναρμολογηση	179
Πριν απο το ξεκίνημα της λειτουργίας	180
Σωστος χειρισμος του μηχανηματος	182
Σημειωσεις για το χειρισμο και πως να γινει το σταματημα	182
Οδηγίες σερβις	185
Αποθηκευση	188

ΣΥΜΒΟΛΑ

Χρειάζεται να προσέξετε τα παρακάτω σύμβολα όταν διαβάζετε το εγχειρίδιο οδηγιών.

	Διαβάστε το εγχειρίδιο οδηγιών και ακολουθήστε τις προειδοποιήσεις και τα μέτρα ασφαλείας!		Φοράτε κράνος και προστατευτικά για τα μάτια και τα αφτιά!
	Δώστε ιδιαίτερη φροντίδα και προσοχή!		Καύσιμο (Βενζίνη)
	Απαγορεύεται!		Κινητήρας-χειροκίνητη εκκίνηση
	Απαγορεύεται το κάπνισμα!		Διακοπή έκτακτης ανάγκης
	Όχι γυμνές φλόγες!		Πρώτες βοήθειες
	Πρέπει να φοριούνται προστατευτικά γάντια!		ΕΝΕΡΓΟΠΟΙΗΣΗ/ΕΚΚΙΝΗΣΗ
	Φοράτε ανθεκτικές μπότες με αντιολισθητικές σόλες. Συνίστανται μπότες ασφαλείας με ενίσχυση στα άκρα των δακτύλων!		ΑΠΕΝΕΡΓΟΠΟΙΗΣΗ/ΣΤΑΜΑΤΗΜΑ
	Κρατήστε μακριά από την περιοχή εργασίας όλα τα άτομα και τα ζώα!		

Προοριζόμενη χρήση του μηχανήματος

Αυτή η βενζινοκίνητη κεφαλή πολλαπλών χρήσεων προορίζεται για να κινεί το εγκεκριμένο προσάρτημα που αναφέρεται σε αυτό το εγχειρίδιο οδηγιών. Ποτέ να μη χρησιμοποιείτε το μηχάνημα για άλλο σκοπό.

ΟΔΗΓΙΕΣ ΑΣΦΑΛΕΙΑΣ

Γενικές οδηγίες

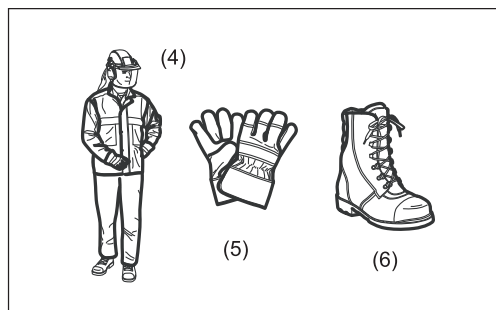
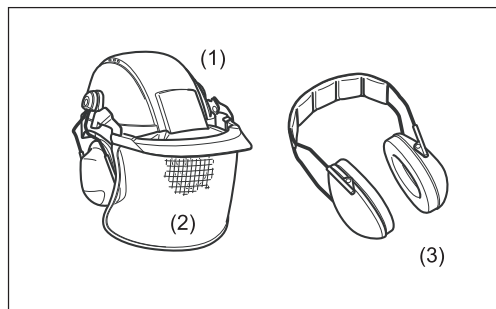
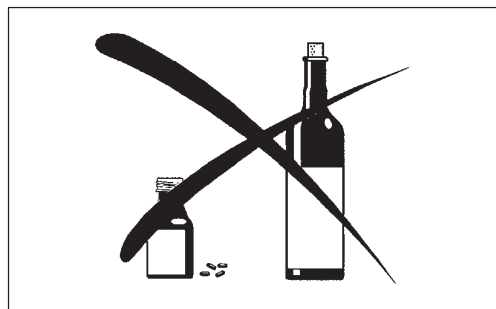
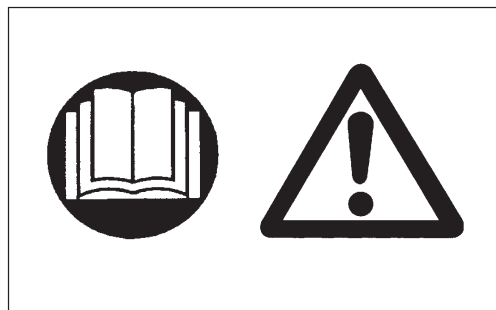
- Για τη διασφάλιση της σωστής λειτουργίας, ο χρήστης πρέπει να διαβάσει αυτό το εγχειρίδιο οδηγιών για να εξοικειωθεί με τον χειρισμό της Βενζινοκίνητης Κεφαλής Πολλαπλών Χρήσεων. Οι χρήστες οι οποίοι δεν διαθέτουν επαρκή ενημέρωση θα θέσουν σε κίνδυνο τους εαυτούς τους και τους άλλους λόγω του ακατάλληλου χειρισμού.
- Συνιστάται να δανείζεται τη Βενζινοκίνητη Κεφαλή Πολλαπλών Χρήσεων μόνο σε άτομα που διαθέτουν αποδεδειγμένη εμπειρία με τη Βενζινοκίνητη Κεφαλή Πολλαπλών Χρήσεων.
Πάντοτε να παραδίδεται το εγχειρίδιο οδηγιών.
- Οι χρήστες που τη χρησιμοποιούν για πρώτη φορά θα πρέπει να ρωτούν τον μεταπωλητή για τις βασικές οδηγίες για να εξοικειωθούν με το χειρισμό ενός μηχανοκίνητου κόφτη.
- Στα παιδιά και στα νεαρά άτομα κάτω των 18 ετών δεν θα πρέπει να τους επιτρέπεται η χρήση της Βενζινοκίνητης Κεφαλής Πολλαπλών Χρήσεων. Τα άτομα με ηλικία πάνω από 16 ετών θα μπορούσαν να χρησιμοποιήσουν τη συσκευή για εκπαιδευτικούς σκοπούς, μόνο κάτω από την επίβλεψη ενός έμπειρου εκπαιδευτή.
- Χρησιμοποιήστε τη Βενζινοκίνητη Κεφαλή Πολλαπλών Χρήσεων με τη μεγαλύτερη δυνατή φροντίδα και προσοχή.
- Να χειρίζεστε τη Βενζινοκίνητη Κεφαλή Πολλαπλών Χρήσεων μόνο όταν βρίσκεστε σε καλή φυσική κατάσταση. Εκτελέστε όλες τις εργασίες με ηρεμία και προσοχή. Ο χρήστης θεωρείται υπεύθυνος για τους άλλους.
- Ποτέ να μην χρησιμοποιήσετε τη Βενζινοκίνητη Κεφαλή Πολλαπλών Χρήσεων μετά από την κατανάλωση αλκοόλ ή φαρμάκων, ή εάν αισθανθείτε κουρασμένοι ή ασθενείς.
- Η εθνική νομοθεσία μπορεί να περιορίζει τη χρήση του μηχανήματος.

Προσωπικός προστατευτικός εξοπλισμός

- Ο ρουχισμός που φοράτε θα πρέπει να είναι λειτουργικός και κατάλληλος, δηλαδή να είναι εφαρμοστός αλλά να μην σας παρεμποδίζει. Μην φοράτε κοσμήματα ή ρούχα τα οποία μπορούν να μπλεχτούν μέσα στους θάμνους ή στους βάλτους.
- Για την προστασία του τραυματισμού της κεφαλής, των ματιών, ή των ποδιών καθώς επίσης και την προστασία της ακοής κατά την λειτουργία, θα πρέπει να χρησιμοποιηθεί ο παρακάτω προστατευτικός εξοπλισμός και ο προστατευτικός ρουχισμός κατά την χρήση της Βενζινοκίνητης Κεφαλής Πολλαπλών Χρήσεων.
- Πάντοτε να φοράτε κράνος όπου υπάρχει ο κίνδυνος της πτώσης αντικειμένων. Το κράνος (1) θα πρέπει να ελέγχεται για την ύπαρξη ζημιάς κατά τακτικά χρονικά διαστήματα και θα πρέπει να αντικατασταθεί τουλάχιστον μετά από 5 χρόνια. Χρησιμοποιείτε μόνο εγκεκριμένα προστατευτικά κράνη.
- Η προσωπίδα (2) του κράνου (ή εναλλακτικά προστατευτικά γυαλιά) προστατεύει το πρόσωπο από τα θραύσματα και τις πέτρες που ίπτανται. Κατά τη χρήση της Βενζινοκίνητης Κεφαλής Πολλαπλών Χρήσεων, πάντοτε να φοράτε προστατευτικά γυαλιά ή προσωπίδα για την αποφυγή του τραυματισμού των ματιών.
- Φοράτε τον απαραίτητο εξοπλισμό προστασίας ενάντια στο θόρυβο για την αποφυγή πρόκλησης βλάβης στην ακοή (προστατευτικά επικαλύμματα αυτιών (3), ωτοασπίδες κτλ.).
- Η φόρμα εργασίας (4) προστατεύει από τις πέτρες και τα θραύσματα που ίπτανται. Σας συστήνουμε ανεπιφύλακτα τη χρήση της φόρμας εργασίας από το χρήστη.
- Ειδικά γάντια (5) φτιαγμένα από παχύ δέρμα αποτελούν μέρος του συνιστώμενου εξοπλισμού και θα πρέπει πάντοτε να φοριούνται κατά την χρήση της Βενζινοκίνητης Κεφαλής Πολλαπλών Χρήσεων.
- Κατά τη χρήση της Βενζινοκίνητης Κεφαλής Πολλαπλών Χρήσεων, πάντοτε να φοράτε ανθεκτικά παπούτσια (6) με αντιολισθητικές σόλες. Αυτά προστατεύουν έναντι των τραυματισμών και διασφαλίζουν το καλό πάτημα.

Θέτοντας σε λειτουργία τη Βενζινοκίνητη Κεφαλή Πολλαπλών Χρήσεων

- Διασφαλίστε να μη υπάρχουν παιδιά ή άλλα άτομα στη γύρω περιοχή καθώς επίσης δώστε προσοχή στα ζώα που τυχόν βρίσκονται κοντά στην περιοχή εργασίας.
- Βεβαιωθείτε ότι το εξάρτημα επισυνάπτεται στη θέση του, ο μοχλός ελέγχου λειτουργεί εύκολα και ελέγξτε για τη σωστή λειτουργία του μοχλού κλειδώματος.
- Απαγορεύεται η κίνηση του εργαλείου κατά το ρελαντί. Εάν έχετε αμφιβολία απευθυνθείτε στον μεταπωλητή σας για τη ρύθμιση. Ελέγξτε τα χερούλια ώστε να είναι καθαρά και ξηρά και δοκιμάστε την λειτουργία του διακόπτη εκκίνησης/σταματήματος.

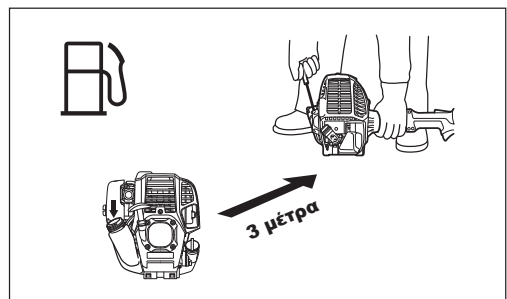
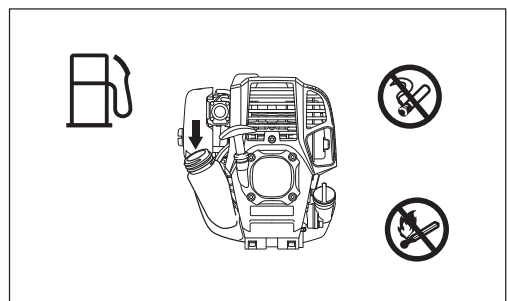
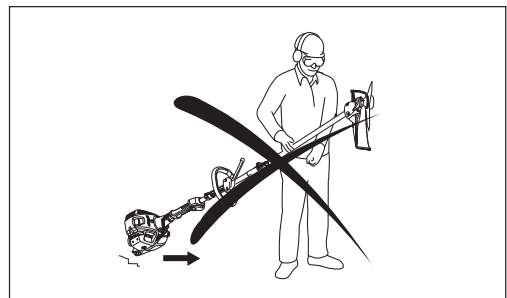
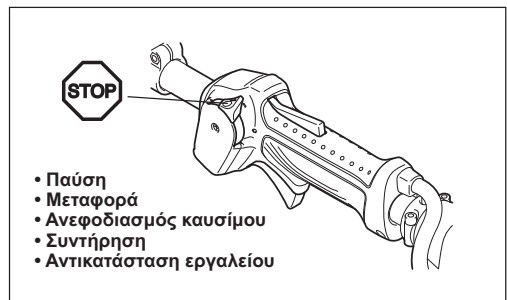
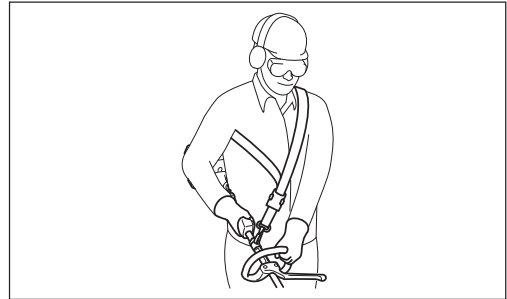
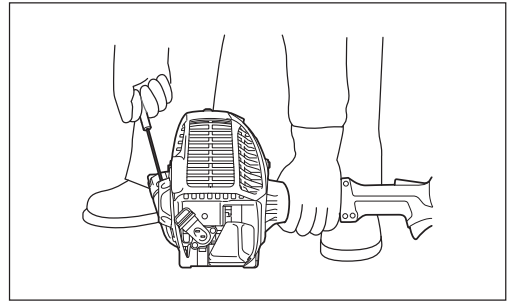


Θέστε σε λειτουργία τη Βενζινοκίνητη Κεφαλή Πολλαπλών Χρήσεων σύμφωνα μόνο με τις οδηγίες.

- Μην χρησιμοποιήσετε οποιασδήποτε άλλες μεθόδους για να ξεκινήσετε τον κινητήρα!
- Χρησιμοποιήστε τη Βενζινοκίνητη Κεφαλή Πολλαπλών Χρήσεων και τα εργαλεία μόνο για τις καθορισμένες εφαρμογές.
- Ξεκινήστε τον κινητήρα της Βενζινοκίνητης Κεφαλής Πολλαπλών Χρήσεων μόνο αφού του έχει γίνει η πλήρης συναρμολόγηση. Η λειτουργία της συσκευής επιτρέπεται μόνο αφού του συνδεθούν όλα τα κατάλληλα εξαρτήματα!
- Πριν το ξεκίνημα, βεβαιωθείτε ότι το προσάρτημα δεν βρίσκεται σε επαφή με σκληρά αντικείμενα όπως κλαδιά, πέτρες κτλ επειδή το προσάρτημα θα περιστραφεί κατά την εκκίνηση.
- Ο κινητήρας σβήνει αμέσως στην περίπτωση που συμβούν μηχανικά προβλήματα.
- Εάν το προσάρτημα χτυπήσει πέτρες ή άλλα σκληρά αντικείμενα, αμέσως κλείστε τον κινητήρα και επιθεωρήστε το προσάρτημα.
- Να χειρίζεστε τη Βενζινοκίνητη Κεφαλή Πολλαπλών Χρήσεων μόνο όταν έχετε συνδεδεμένο τον ιμάντα ώμου, ο οποίος θα πρέπει να προσαρμόζεται κατάλληλα πριν θέσετε σε λειτουργία τη Βενζινοκίνητη Κεφαλή Πολλαπλών Χρήσεων. Είναι σημαντικό να προσαρμόσετε τον ιμάντα ώμου ανάλογα με το σωματικό μέγεθος του χρήστη για την αποφυγή της εμφάνισης της κούρασης κατά τη χρήση. Ποτέ να μην κρατάτε τον κόφτη με το ένα χέρι κατά την χρήση.
- Κατά το χειρισμό να κρατάτε πάντοτε τη Βενζινοκίνητη Κεφαλή Πολλαπλών Χρήσεων με τα δυο χέρια. Πάντοτε να έχετε ένα ασφαλές πάτημα.
- Να χειρίζεστε τη Βενζινοκίνητη Κεφαλή Πολλαπλών Χρήσεων με τέτοιο τρόπο ώστε να μην εισπνέετε τα καυσαέρια. Ποτέ να μην λειτουργήσετε τον κινητήρα σε κλειστά δωμάτια (υπάρχει κίνδυνος δηλητηρίασης από αέρια). Το μονοξείδιο του άνθρακα είναι ένα άοσμο αέριο.
- Σβήστε τον κινητήρα κατά την ανάπαυση και όταν αφήνετε τη Βενζινοκίνητη Κεφαλή Πολλαπλών Χρήσεων αφύλακτη, και τοποθετήστε τη σε μια ασφαλή θέση για να αποτραπεί η πρόκληση κινδύνου προς τους άλλους και ζημιά στο μηχάνημα.
- Ποτέ μην τοποθετήσετε τη Βενζινοκίνητη Κεφαλή Πολλαπλών Χρήσεων πάνω σε ξερό γρασιδί ή σε οποιοδήποτε εύφλεκτο υλικό όταν είναι ζεστή.
- Όλα τα προστατευτικά συγκροτήματα και προφυλακτήρες που παρέχονται με αυτή τη συσκευή πρέπει να χρησιμοποιούνται κατά την λειτουργία.
- Ποτέ να μην λειτουργείτε τον κινητήρα με ένα σιγαστήρα εξάτμισης που έχει πάθει ζημιά.
- Κλείστε τον κινητήρα κατά την μεταφορά.
- Κατά την μεταφορά σε μεγάλες αποστάσεις θα πρέπει να χρησιμοποιούνται τα προστατευτικά του εργαλείου που συμπεριλαμβάνονται με τη συσκευή.
- Διασφαλίστε τη σωστή τοποθέτηση της Βενζινοκίνητης Κεφαλής Πολλαπλών Χρήσεων κατά τη μεταφορά με όχημα για την αποφυγή διαρροής καυσίμου.
- Κατά τη μεταφορά της Βενζινοκίνητης Κεφαλής Πολλαπλών Χρήσεων, διασφαλίστε ότι το ρεζερβουάρ καυσίμου είναι τελείως άδειο.
- Κατά το ξεφόρτωμα της Βενζινοκίνητης Κεφαλής Πολλαπλών Χρήσεων από την καρότσα, ποτέ να μην ρίξετε κάτω τον κινητήρα στο έδαφος επειδή αν το κάνετε αυτό μπορεί να προκληθεί σοβαρή βλάβη στο ρεζερβουάρ καυσίμου.
- Εκτός από την περίπτωση της έκτακτης ανάγκης, ποτέ να μην ρίξετε ή να πετάξετε τη Βενζινοκίνητη Κεφαλή Πολλαπλών Χρήσεων στο έδαφος επειδή αν το κάνετε αυτό μπορεί να προκληθεί σοβαρή ζημιά στη Βενζινοκίνητη Κεφαλή Πολλαπλών Χρήσεων.
- Θυμηθείτε να σκηνώνετε ολόκληρο τον κινητήρα από το έδαφος όταν μετακινείτε τη συσκευή. Το σύστημα του ρεζερβουάρ καυσίμου είναι πολύ επικίνδυνο και θα προκαλέσει ζημιά και διαρροή καυσίμου, προκαλώντας πιθανόν την πυρκαγιά.
- Εάν η συσκευή χτυπήσει δυνατά κατά την πτώση, ελέγξτε την κατάσταση πριν συνεχίσετε την εργασία. Ελέγξτε το σύστημα καυσίμου για ύπαρξη διαρροής καυσίμου αλλά και τα χειριστήρια και τις διατάξεις ασφαλείας για ύπαρξη δυσλειτουργίας. Εάν υπάρχει οποιαδήποτε ζημιά ή αν έχετε αμφιβολίες, επικοινωνήστε με το δικό μας εξουσιοδοτημένο κέντρο εξυπηρέτησης για επιθεώρηση και επισκευή.

Ανεφοδιασμός καυσίμου

- Κατά τον ανεφοδιασμό καυσίμου σβήστε τον κινητήρα, να είστε μακριά από τις γυμνές φλόγες και να μην καπνίζετε.
- Αποφύγετε την επαφή του δέρματος με προϊόντα ορυκτών λαδιών. Μην εισπνέετε τον ατμό του καυσίμου. Πάντοτε να φοράτε προστατευτικά γάντια κατά τον ανεφοδιασμό του καυσίμου. Αλλάζετε και καθαρίζετε τον προστατευτικό ρουχισμό σε τακτικά διαστήματα.
- Δώστε προσοχή ώστε να μην ρίξετε κάτω καύσιμο ή λάδια για την αποφυγή της ρύπανσης του εδάφους (προστασία του περιβάλλοντος). Καθαρίστε αμέσως τη Βενζινοκίνητη Κεφαλή Πολλαπλών Χρήσεων αν πέσει πάνω της καύσιμο.
- Αποφύγετε την οποιαδήποτε επαφή του καυσίμου με τα ρούχα σας. Αλλάξτε το ρουχισμό σας αμέσως μετά την πώση του καυσίμου επάνω του (για την αποφυγή της πρόκλησης φωτιάς στα ρούχα σας).
- Επιθεωρείστε την τάπα του καυσίμου ανά τακτά διαστήματα για να διασφαλίσετε ότι μπορεί να στερεωθεί σταθερά και ότι δεν παρουσιάζει διαρροή.
- Προσεκτικά σφίξτε την τάπα του ρεζερβουάρ καυσίμου. Αλλάξτε θέση για την εκκίνηση του κινητήρα (τουλάχιστον 3 μέτρα μακριά από τον χώρο του ανεφοδιασμού).
- Ποτέ να μην ανεφοδιάζετε σε κλειστά δωμάτια. Οι ατμοί του καυσίμου συσσωρεύονται στο επίπεδο του εδάφους (κίνδυνος εκρήξεων).
- Να μεταφέρετε και να αποθηκεύετε το καύσιμο σε κατάλληλα δοχεία. Φροντίστε ώστε το αποθηκευμένο καύσιμο να μην είναι προσβάσιμο στα παιδιά.

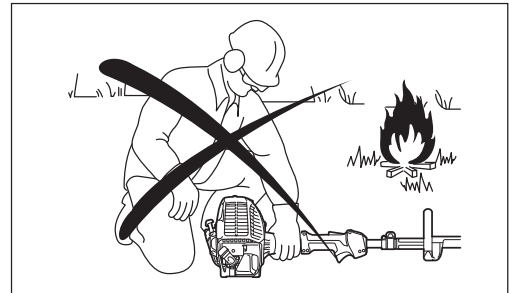


Μέθοδος λειτουργίας

- Να χρησιμοποιείτε τη Βενζινοκίνητη Κεφαλή Πολλαπλών Χρήσεων μόνο με καλό φωτισμό και ορατότητα. Κατά τη διάρκεια της εποχής του χειμώνα δώστε προσοχή στις περιοχές που είναι υγρές και γλιστρούν, πάγος και χιόνι (κίνδυνος ολισθηρότητας). Πάντοτε να έχετε ένα ασφαλές πάτημα.
- Ποτέ να μην χειρίζεστε τη Βενζινοκίνητη Κεφαλή Πολλαπλών Χρήσεων όταν είσαστε πάνω σε σκάλα.
- Ποτέ να μην σκαφαλώνετε σε δέντρα για να εκτελέσετε εργασίες κοπής με τη Βενζινοκίνητη Κεφαλή Πολλαπλών Χρήσεων.
- Ποτέ να μην εργάζεστε πάνω σε ασταθείς επιφάνειες.
- Πριν κάνετε χρήση του προσαρτήματος αυτό θα πρέπει να έχει αποκτήσει την πλήρη ταχύτητα λειτουργίας.
- Ξεκουραστείτε για να μην χάσετε τον έλεγχο λόγω κόπωσης. Σας συνιστούμε να κάνετε 10 έως 20 λεπτά διάλειμμα κάθε ώρα.

Οδηγίες συντήρησης

- Επισκευάζετε τη συσκευή σας στο δικό μας εξουσιοδοτημένο κέντρο σέρβις, χρησιμοποιώντας πάντοτε αυθεντικά ανταλλακτικά. Η λανθασμένη επισκευή και η φτωχή συντήρηση μπορεί να μειώσει την διάρκεια της ωφέλιμης ζωής της συσκευής και να αυξήσει τον κίνδυνο ατυχημάτων.
- Να χειρίζεστε τη Βενζινοκίνητη Κεφαλή Πολλαπλών Χρήσεων με όσο το δυνατόν λιγότερο θόρυβο και ρύπανση. Ιδιαίτερα ελέγξτε τις σωστές ρυθμίσεις του καρμπουρατέρ.
- Καθαρίστε τη Βενζινοκίνητη Κεφαλή Πολλαπλών Χρήσεων ανά τακτά διαστήματα και ελέγξτε ότι όλες οι βίδες και τα παξιμάδια είναι καλά σφιγμένα.
- Ποτέ να μην κάνετε τη συντήρηση ή την αποθήκευση της Βενζινοκίνητης Κεφαλής Πολλαπλών Χρήσεων κοντά σε γυμνές φλόγες.
- Πάντοτε να αποθηκεύετε τη Βενζινοκίνητη Κεφαλή Πολλαπλών Χρήσεων σε κλειδωμένα δωμάτια με άδειο το ρεζερβουάρ καυσίμου.



Τηρήστε τις σχετικές οδηγίες αποτροπής ατυχήματος που εκδίδεται από τις σχετικές εμπορικές ενώσεις και από τις ασφαλιστικές εταιρίες. Μην προβείτε σε οποιαδήποτε τροποποίηση της Βενζινοκίνητης Κεφαλής Πολλαπλών Χρήσεων επειδή η ενέργεια αυτή θα θέσει σε κίνδυνο την ασφάλειά σας.

Η εκτέλεση των εργασιών συντήρησης και επισκευής από το χρήστη περιορίζονται τις δραστηριότητες που περιγράφονται στο εγχειρίδιο οδηγιών. Όλες οι άλλες εργασίες πρέπει να γίνονται από ένα Εξουσιοδοτημένο Αντιπρόσωπο του Σέρβις. Χρησιμοποιήστε μόνο τα αυθεντικά ανταλλακτικά και αξεσουάρ που διατίθενται και παρέχονται από τη ΜΑΚΙΤΑ.

Η χρήση μη εγκεκριμένων εξαρτημάτων και εργαλείων συνεπάγεται τον αυξημένο κίνδυνο ατυχημάτων.

Η ΜΑΚΙΤΑ δεν θα δεχθεί την οποιαδήποτε ευθύνη για ατυχήματα ή φθορά που προκλήθηκε από τη χρήση μη εγκεκριμένων προσαρτημάτων και συσκευών στερέωσης των προσαρτημάτων ή των αξεσουάρ.

Πρώτες βοήθειες

Για την περίπτωση ατυχήματος, φροντίστε να υπάρχει διαθέσιμο ένα κουτί πρώτων βοηθειών στην περιοχή όπου εκτελούνται οι εργασίες κοπής. Αντικαταστήστε αμέσως το οποιοδήποτε αντικείμενο που πάρθηκε από το κουτί των πρώτων βοηθειών.

Όταν ζητάτε βοήθεια, παρακαλώ παράσχετε τις ακόλουθες πληροφορίες:

- Τόπος του ατυχήματος
- Τι συνέβη
- Αριθμός τραυματισμένων ατόμων
- Είδος των τραυμάτων
- Το όνομά σας



Δόνηση

- Τα άτομα με κακό κυκλοφορικό σύστημα τα οποία εκτίθενται σε υπερβολικούς κραδασμούς μπορεί να παρουσιάσουν βλάβη στα αιμοφόρα αγγεία ή στο νευρικό σύστημα. Οι κραδασμοί ενδέχεται να προκαλέσουν τα ακόλουθα συμπτώματα στα δάχτυλα, τα χέρια ή τους καρπούς: "Κοίμισμα" (μούδιασμα), μυρμηγκιασμα, πόνο, σουβλιές, αλλαγή χρώματος ή υφής του δέρματος. Εάν έχετε οποιαδήποτε από αυτά τα συμπτώματα, επισκεφτείτε ένα γιατρό!
- Για την ελάττωση του κινδύνου της "ασθένειας των άσπρων δακτύλων", διατηρήστε τα χέρια σας ζεστά κατά την λειτουργία και διατηρήστε σε καλή κατάσταση τη συσκευή και τα εξαρτήματα.

ΕΚ – ΔΗΛΩΣΗ ΣΥΜΜΟΡΦΩΣΗΣ

Η Εταιρία Makita ως υπεύθυνος κατασκευαστής, δηλώνει ότι τα παρακάτω μηχανήματα της Makita:

Όνομασία Μηχανήματος: Βενζινοκίνητη Κεφαλή Πολλαπλών Χρήσεων
Αρ. Μοντέλου/ Τύπος: EX2650LH
Προδιαγραφές: Δείτε τον πίνακα με τα "ΤΕΧΝΙΚΑ ΣΤΟΙΧΕΙΑ EX2650LH"
αποτελεί παραγωγή σε σειρά και

Συμμορφώνεται με την ακόλουθη Ευρωπαϊκή Οδηγία:

2000/14/EK, 2006/42/EK

Και κατασκευάζεται σύμφωνα με τα παρακάτω πρότυπα ή τυποποιημένα έγγραφα:
EN/ISO11806, EN709, EN/ISO10517, EN/ISO11680, EN/ISO12100

Τα τεχνικά έγγραφα διατηρούνται από το:

Makita International Europe Ltd., Technical Department,
Michigan Drive, Tongwell,
Milton Keynes, Bucks MK15 8JD, Αγγλία

Η διαδικασία εκτίμησης συμμόρφωσης που απαιτείται από την Οδηγία 2000/14/EK εκτελέστηκε σύμφωνα με το παράρτημα V.

EX2650LH με EM400MP (Θαμνοκοπτικό προσάρτημα)

Μετρημένο Επίπεδο Ηχητικής Ισχύος: 108,5 dB (A)

Εγγυημένο Επίπεδο Ηχητικής Ισχύος: 113 dB (A)

EX2650LH με EM401MP (Θαμνοκοπτικό προσάρτημα)

Μετρημένο Επίπεδο Ηχητικής Ισχύος: 102,7 dB (A)

Εγγυημένο Επίπεδο Ηχητικής Ισχύος: 105 dB (A)

EX2650LH με ER400MP (Προσάρτημα χλοοκοπτικού)

Μετρημένο Επίπεδο Ηχητικής Ισχύος: 109,2 dB (A)

Εγγυημένο Επίπεδο Ηχητικής Ισχύος: 116 dB (A)

EX2650LH με EN400MP (Προσάρτημα ψαλιδιού μπορντούρας)

Μετρημένο Επίπεδο Ηχητικής Ισχύος: 103,8 dB (A)

Εγγυημένο Επίπεδο Ηχητικής Ισχύος: 109 dB (A)

EX2650LH με EN400MP (Προσάρτημα ψαλιδιού μπορντούρας) και LE400MP (Προσάρτημα προέκτασης άξονα)

Μετρημένο Επίπεδο Ηχητικής Ισχύος: 104,0 dB (A)

Εγγυημένο Επίπεδο Ηχητικής Ισχύος: 106 dB (A)

Ο αρ. του πιστοποιητικού εξέτασης τύπου ΕΚ ως κονταροπρίονο με EY400MP, EY401MP, LE400MP είναι:
4811004.11016

Η Εξέταση Τύπου ΕΚ σύμφωνα με την 2006/42/EK εκτελέστηκε από την:

DEKRA Testing and Certification GmbH
Enderstraße 92b
01277 Dresden, Germany
Αρ. αναγνώρισης 2140

30. 1. 2012



Tomoyasu Kato
Διευθυντής
Makita Corporation
3-11-8, Sumiyoshi-cho,
Anjo, Aichi, 446-8502, JAPAN

ΤΕΧΝΙΚΑ ΣΤΟΙΧΕΙΑ EX2650LH

Μοντέλο	EX2650LH	
	Χερούλι σε σχήμα βρόγχου	
Διαστάσεις: μήκος x πλάτος x ύψος (χωρίς τη λάμα κοπής) με φράγμα	mm	975 x 323 x 241
Διαστάσεις: μήκος x πλάτος x ύψος (χωρίς τη λάμα κοπής) χωρίς φράγμα	mm	975 x 242 x 241
Βάρος (χωρίς πλαστικό προφυλακτήρα και λάμα κοπής)	kg	4,6
Όγκος (ρεζερβουάρ καυσίμου)	L	0,6
Όγκος (ρεζερβουάρ λαδιού)	L	0,08
Εκτόπισμα κινητήρα	cm ³	25,4
Μέγιστη απόδοση κινητήρα	kw	0,77 στις 7.000 min ⁻¹
Ταχύτητα κινητήρα στη συνιστώμενη μέγιστη ταχύτητα του άξονα	min ⁻¹	8.500
Μέγιστη ταχύτητα του άξονα (αντίστοιχη)	min ⁻¹	6.500
Μέγιστη κατανάλωση καυσίμου	Κιλά/ώρα	0,33
Μέγιστη ειδική κατανάλωση καυσίμου	g/kwh	408
Ταχύτητα ρελαντί	min ⁻¹	3.000
Ταχύτητα εμπλοκής συμπλέκτη	min ⁻¹	3.900
Καρμπιρατέρ	τύπος	WALBRO WYL
Σύστημα ανάφλεξης	τύπος	Ανάφλεξη στερεάς κατάστασης
Μπουζί	τύπος	NGK CMR4A
Διάκενο ηλεκτροδίων	mm	0,7 - 0,8
Καύσιμο		Βενζίνη αυτοκινήτου
Λάδι κινητήρα		Λάδι SAE 10W-30 της κατηγορίας API, Κλάση SF ή υψηλότερη (4-χρονος κινητήρας για αυτοκίνητα)

Δόνηση

Προσάρτημα	Δεξί χερούλι (Πίσω λαβή)		Αριστερό χερούλι (Μπροστινή λαβή)		Εφαρμοστέα πρότυπα
	a _{inv eq} (m/s ²)	Αβεβαιότητα K (m/s ²)	a _{inv eq} (m/s ²)	Αβεβαιότητα K (m/s ²)	
EM400MP	6,5	1,2	5,9	1,8	ISO 22867
EM401MP	5,6	2,1	4,8	1,0	ISO 22867
ER400MP	7,1	2,8	5,5	2,7	ISO 22867
EY400MP	9,4	2,0	4,2	2,0	ISO 22867
EY400MP + LE400MP	4,8	2,0	3,4	2,0	ISO 22867
EY401MP	6,5	2,0	3,8	2,0	ISO 22867
EY401MP + LE400MP	5,6	2,0	3,4	2,0	ISO 22867
EN400MP	8,4	1,8	5,0	0,7	ISO 10517
EN400MP + LE400MP	8,0	1,7	4,3	0,7	ISO 10517
KR400MP	5	1,1	4,4	2,3	ISO 22867
EJ400MP	7,1	1,5	4,9	1,5	ISO 22867
EJ400MP + LE400MP	6,4	0,6	4,0	0,7	ISO 22867

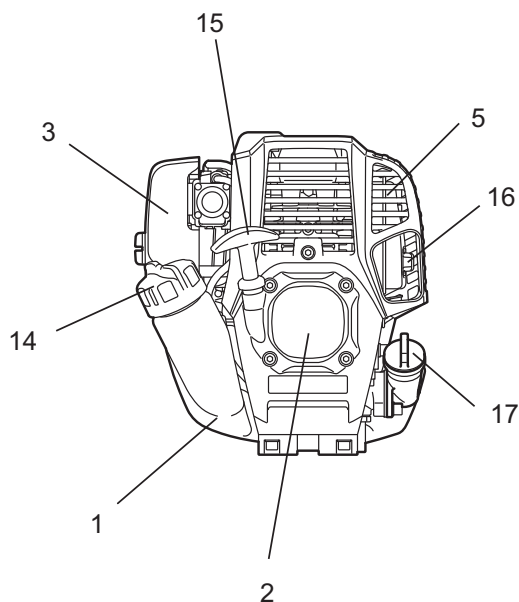
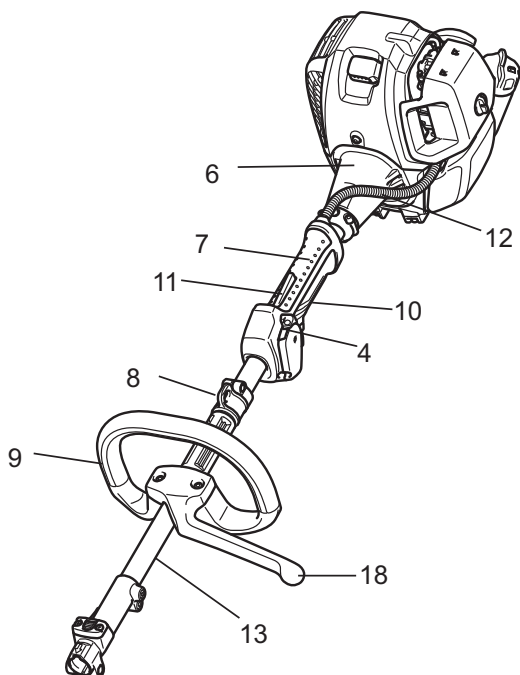
Προσάρτημα	Μέσο επίπεδο ηχητικής πίεσης		Μέσο επίπεδο ηχητικής ισχύος		Εφαρμοστέα πρότυπα
	L _{PA,eq}	Αβεβαιότητα K	L _{WA,eq}	Αβεβαιότητα K	
EM400MP	95,0	4,4	105,5	3,3	ISO 22868
EM401MP	89,9	3,6	99,7	2,7	ISO 22868
ER400MP	97,9	4,2	106,2	4,0	ISO 22868
EY400MP	93,0	2,5	104,5	2,5	ISO 22868
EY400MP + LE400MP	90,3	2,5	107,8	2,5	ISO 22868
EY401MP	92,6	2,5	104,7	2,5	ISO 22868
EY401MP + LE400MP	90,5	2,5	107,9	2,5	ISO 22868
EN400MP	93,1	4,4	102,9	4,8	ISO 10517
EN400MP + LE400MP	87,8	1,9	103,0	2,0	ISO 10517
KR400MP	93,7	2,6	99,7	1,2	ISO 22868
EJ400MP	89,0	2,3	99,8	1,1	ISO 22868
EJ400MP + LE400MP	88,1	2,2	100,8	2,3	ISO 22868

ΕΓΚΕΚΡΙΜΕΝΑ ΠΡΟΣΑΡΤΗΜΑΤΑ

ΠΡΟΣΑΡΤΗΜΑΤΑ	Μοντέλα
Θαμνοκοπτικό προσάρτημα	EM400MP, EM401MP
Προσάρτημα χλοοκοπτικού	ER400MP
Προσάρτημα κονταροπρίονο	EY400MP, EY401MP
Προσάρτημα ψαλιδιού μπορντούρας	EN400MP
Προσάρτημα καλλιεργητή εδάφους	KR400MP
Προσάρτημα τσουγκράνας συγκομιδής	EJ400MP
Προσάρτημα προέκτασης άξονα	LE400MP

ΚΑΘΟΡΙΣΜΟΣ ΕΞΑΡΤΗΜΑΤΩΝ

EX2650LH



GR	ΚΑΘΟΡΙΣΜΟΣ ΕΞΑΡΤΗΜΑΤΩΝ
1	Ρεζερβουάρ καυσίμου
2	Εκκινήτριας ανατύλιξης
3	Φίλτρο αέρα
4	I-O διακόπτης (ανοικτός/κλειστός)
5	Σιγαστήρας εξάτμισης
6	Θήκη συμπλέκτη
7	Πίσω λαβή
8	Αναρτήρας
9	Χερούλι
10	Μοχλός γκαζιού
11	Μοχλός κλειδώματος
12	Καλώδιο χειρισμού
13	Άξονας
14	Τάπα πληρωτή καυσίμου
15	Κουμπί μίζας
16	Σωλήνας εξάτμισης
17	Τάπα λαδιού
18	Φράγμα*

Σημείωση: Σε ορισμένες χώρες το φράγμα δεν παρέχεται με το εργαλείο.

ΣΤΕΡΕΩΣΗ ΤΟΥ ΧΕΡΟΥΛΙΟΥ

ΠΡΟΣΟΧΗ: Πριν κάνετε την οποιαδήποτε εργασία πάνω στη Βενζινοκίνητη Κεφαλή Πολλαπλών Χρήσεων, πάντοτε να σταματάτε τον κινητήρα και να αποσυνδέετε το σύνδεσμο του μπουζί από το μπουζί.

Πάντοτε να φοράτε προστατευτικά γάντια!

ΠΡΟΣΟΧΗ: Να ξεκινάτε τη Βενζινοκίνητη Κεφαλή Πολλαπλών Χρήσεων μόνο αφότου την έχετε συναρμολογήσει εντελώς.

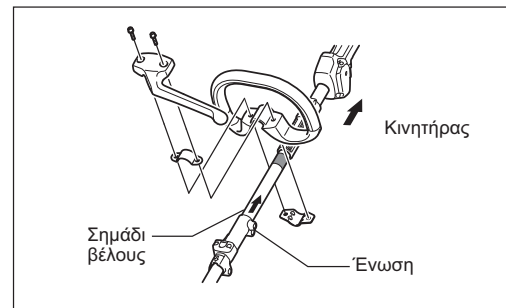


Συναρμολόγηση του χερουλιού σχήματος βρόγχου

- Τοποθετήστε με ασφάλεια το φράγμα και τη λαβή πάνω στον άξονα του σωλήνα με τις δυο βίδες και τους σφικτήρες. Τη στιγμή αυτή, τοποθετήστε το φράγμα στην αριστερή πλευρά του μηχανήματος όπως εμφανίζεται στην εικόνα.
- Βεβαιωθείτε ότι το συγκρότημα της λαβής/φράγματος βρίσκεται μεταξύ του διαχωριστή και του σημαδιού βέλους. Μην αφαιρείτε ή συμπύστετε το διαχωριστή.
- Μετά τη συναρμολόγηση μην αφαιρείτε το φράγμα.

ΠΡΟΣΟΧΗ: Ποτέ μην εγκαθιστάτε τη λαβή πάνω στην ετικέτα ή στην ένωση.

Σημείωση: Σε ορισμένες χώρες, το φράγμα και το σημάδι βέλους δεν παρέχονται με το εργαλείο.



ΣΤΕΡΕΩΣΗ ΠΡΟΣΑΡΤΗΜΑΤΟΣ

ΠΡΟΣΟΧΗ: Πριν κάνετε την οποιαδήποτε εργασία πάνω στη Βενζινοκίνητη Κεφαλή Πολλαπλών Χρήσεων, πάντοτε να σταματάτε τον κινητήρα και να αποσυνδέετε το σύνδεσμο του μπουζί από το μπουζί.

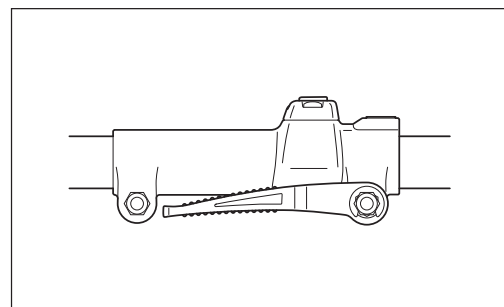
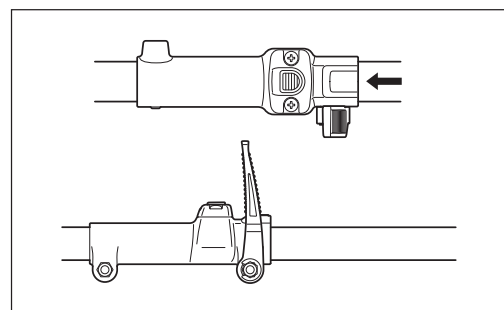
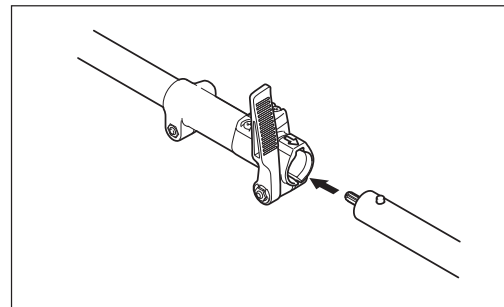
Πάντοτε να φοράτε προστατευτικά γάντια!

ΠΡΟΣΟΧΗ: Να ξεκινάτε τη Βενζινοκίνητη Κεφαλή Πολλαπλών Χρήσεων μόνο αφότου την έχετε συναρμολογήσει εντελώς.



Συναρμολόγηση

- Ξεσφίξτε το μοχλό.
- Ευθυγραμμίστε την περόνη του προσαρτήματος με την αυλάκωση της ένωσης και εισάγετε την περόνη.
- Εισάγετε το προσάρτημα μέχρι τη θέση του βέλους του προσαρτήματος. Κατόπιν, ελέγξτε να δείτε αν έχει ανυψωθεί το κουμπί.
- Σφίξτε το μοχλό.
(Για οδηγίες δείτε το διάγραμμα στα δεξιά.)

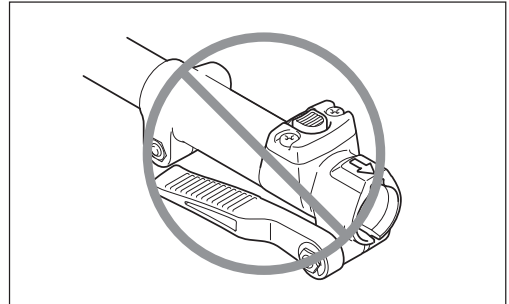
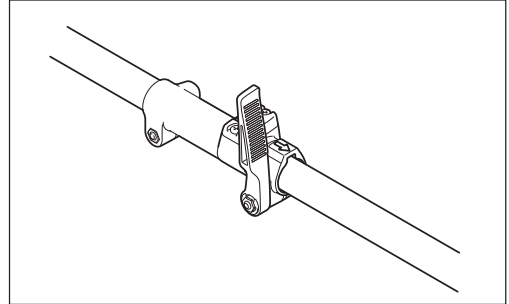


ΑΠΟΣΥΝΑΡΜΟΛΟΓΗΣΗ

- Ξεσφίξτε το μοχλό.
- Πιέστε το κουμπί και αφαιρέστε το προσάρτημα.
(Όσο είναι εφικτό, προσπαθήστε να βγάλετε το προσάρτημα σε ευθεία γραμμή.)

Σημείωση:

- Μην αφήνετε τον μοχλό στη σφιγμένη κατάσταση όταν δεν υπάρχει στερεωμένο προσάρτημα.



Έλεγχος και αναπλήρωση του λαδιού του κινητήρα

- Εκτελέστε την παρακάτω διαδικασία, με κρύο τον κινητήρα.
- Ορίστε το επίπεδο του κινητήρα, αφαιρέστε την τάπα λαδιού (Εικ. 1) και στη συνέχεια, ελέγξτε για να δείτε το εύρος μεταξύ των σημάνσεων του ανώτερου και του κατώτερου ορίου του σωλήνα λαδιού (Εικ. 2).
- Γεμίστε το λάδι έως το ανώτερο σημάδι ορίου εάν το λάδι δεν είναι επαρκές (η στάθμη του λαδιού βρίσκεται κοντά στο κατώτερο όριο) (Εικ. 3).
- Η περιοχή που περιβάλλει τις εξωτερικές σημάνσεις είναι διαφανής, έτσι ώστε η ποσότητα του λαδιού στο εσωτερικό μπορεί να ελεγχθεί χωρίς να χρειάζεται να αφαιρέσετε την τάπα λαδιού. Όμως εάν ο σωλήνας λαδιού γίνει πάρα πολύ βρώμικος, η ορατότητα μπορεί να χαθεί και τότε η στάθμη του λαδιού θα πρέπει να ελεγχθεί έναντι του κλιμακωτού τμήματος στο εσωτερικό της σωλήνας λαδιού.
- Ως αναφορά, ο χρόνος αναπλήρωσης του λαδιού είναι περίπου 10 ώρες (κάθε δέκα ανεφοδιασμούς καυσίμου).
Εάν αλλάξει το χρώμα του λαδιού ή αναμειχθεί με βρωμιά, αντικαταστήστε το με καινούργιο. (Για το διάστημα και την μέθοδο αντικατάστασης, ανατρέξτε στη Σ 185)

Συνιστώμενο λάδι: SAE 10W-30 λάδι Κατηγορίας API, Κλάση SF ή υψηλότερη (4-χρονος κινητήρας για αυτοκίνητα)

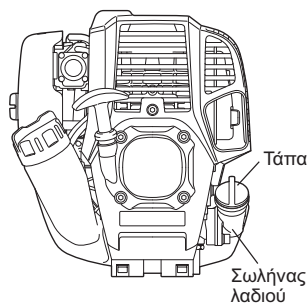
Όγκος λαδιού: Περίπου 0,08 Λίτρα

Σημείωση: Εάν ο κινητήρας δεν κρατηθεί όρθιος, το λάδι μπορεί να μπει γύρω από τον κινητήρα και να γεμίσει υπερβολικά.

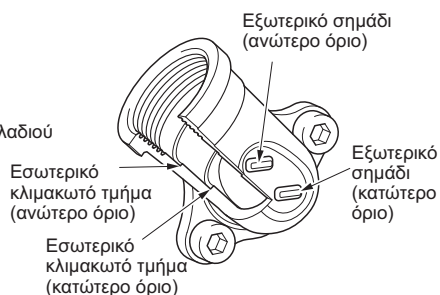
Εάν το λάδι γεμίσει πάνω από το όριο, το λάδι μπορεί να ρυπανθεί ή να πιάσει φωτιά με άσπρο καπνό.

1η παρατήρηση στην Αντικατάσταση του λαδιού: “Τάπα λαδιού”

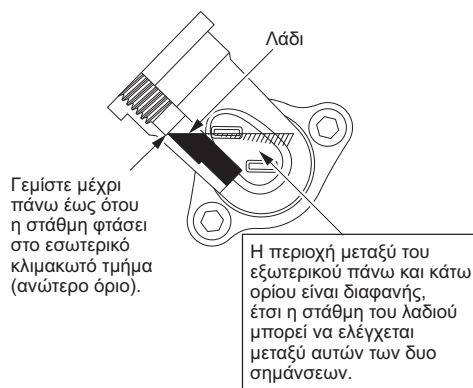
- Αφαιρέστε τη σκόνη ή την βρωμιά κοντά στην τρύπα ανεφοδιασμού του λαδιού, και αποσυνδέστε την τάπα λαδιού.
- Διατηρήστε την τάπα λαδιού που έχετε βγάλει καθαρή από άμμο και σκόνη. Διαφορετικά, η οποιαδήποτε άμμος ή σκόνη κολλήσει στην τάπα λαδιού μπορεί να προκαλέσει την μη φυσιολογική κυκλοφορία του λαδιού ή την φθορά των τμημάτων του κινητήρα, το οποίο θα προκαλέσει προβλήματα.



Εικ. 1

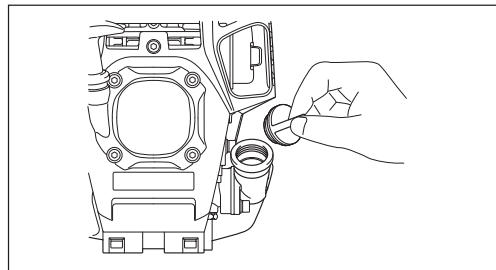


Εικ. 2 Σωλήνας λαδιού

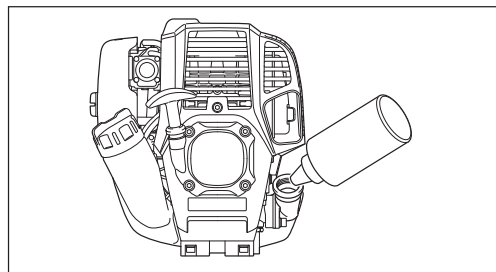


Εικ. 3

- (1) Κρατήστε τον κινητήρα επίπεδο και αποσυνδέστε την τάπα λαδιού.



- (2) Γεμίστε με λάδι έως την ένδειξη του ανώτερου ορίου. (Δείτε Εικ. 3)
Χρησιμοποιήστε το μπουκάλι λαδιού κατά το γέμισμα.



- (3) Σφίξτε καλά την τάπα λαδιού. Το ανεπαρκές σφίξιμο μπορεί να προκαλέσει τη διαρροή λαδιού.

Σημείωση

- Μην αντικαταστήσετε το λάδι έχοντας τον κινητήρα υπό κλίση.
- Το γέμισμα με του λαδιού με τον κινητήρα υπό κλίση προσθέτει μια ποσότητα λαδιού μεγαλύτερη από την κανονική που προκαλεί την ρύπανση του λαδιού και/ή τον άσπρο καπνό.

2η παρατήρηση στην Αντικατάσταση του λαδιού: “Εάν το λάδι χυθεί έξω”

- Εάν το λάδι χυθεί έξω μεταξύ του ρεζερβουάρ καυσίμου και της κύριας μονάδας του κινητήρα, το λάδι απορροφάται μέσα στη θύρα εισαγωγής του ψυκτικού αέρα, και θα προκληθεί ρύπανση του κινητήρα. Φροντίστε να σκουπίσετε το λάδι που έχει χυθεί πριν την έναρξη της λειτουργίας.

ΑΝΕΦΟΔΙΑΣΜΟΣ

Χειρισμός καυσίμου

Είναι απαραίτητο να χειρίζεστε το καύσιμο με τη μεγαλύτερη δυνατή προσοχή. Το καύσιμο μπορεί να περιέχει ουσίες όμοιες με τους διαλύτες. Ο ανεφοδιασμός πρέπει να γίνεται σε ένα επαρκώς αεριζόμενο δωμάτιο ή σε ένα ανοικτό χώρο. Ποτέ να μην εισπνέετε τους ατμούς του καυσίμου και κρατήστε μακριά σας το καύσιμο. Εάν αγγίξετε το καύσιμο επαναλαμβανόμενα για μακρό χρονικό διάστημα το δέρμα γίνεται ξηρό, και μπορεί να προκαλέσει ασθένεια του δέρματος ή αλλεργία. Εάν το καύσιμο μπει στο μάτι καθαρίστε το με καθαρό νερό. Εάν το μάτι σας παραμείνει ερεθισμένο, συμβουλευτείτε το γιατρό σας.

Χρονική περίοδος αποθήκευσης του καυσίμου

Το καύσιμο πρέπει να χρησιμοποιείται μέσα σε μια περίοδο 4 εβδομάδων, ακόμη και αν είναι φυλαγμένο σε ειδικό δοχείο σε μια καλά αεριζόμενη σκιερή περιοχή.

Εάν δεν χρησιμοποιηθεί ειδικό δοχείο ή εάν το δοχείο μείνει ακάλυπτο, το καύσιμο μπορεί να αλλοιωθεί σε μια μέρα.

ΑΠΟΘΗΚΕΥΣΗ ΤΟΥ ΜΗΧΑΝΗΜΑΤΟΣ ΚΑΙ ΤΟΥ ΔΟΧΕΙΟΥ ΑΝΕΦΟΔΙΑΣΜΟΥ

- Φυλάξτε το μηχάνημα και το δοχείο σε ένα ψυχρό χώρο μακριά από το απευθείας ηλιακό φως.
- Ποτέ να μην φυλάσσετε το καύσιμο στην καμπίνα ή το πορτμπακάζ.

Καύσιμο

Ο κινητήρας είναι ένας τετράχρονος κινητήρας. Βεβαιωθείτε να χρησιμοποιήσετε μια βενζίνη αυτοκινήτου (κανονική βενζίνη ή βενζίνη υψηλής ποιότητας).

Σημειώσεις για το καύσιμο

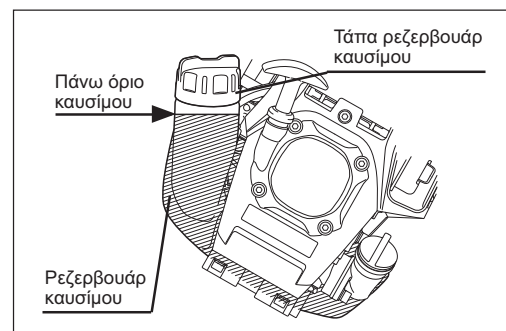
- Ποτέ να μην χρησιμοποιήσετε ένα μείγμα βενζίνης που περιέχει λάδι μηχανής. Διαφορετικά, θα προκληθεί υπερβολική συσσώρευση άνθρακα ή μηχανικά προβλήματα.
- Η χρήση αλλοιωμένου λαδιού θα προκαλέσει τη μη φυσιολογική εκκίνηση.

Ανεφοδιασμός

ΠΡΟΕΙΔΟΠΟΙΗΣΗ: ΟΙ ΕΥΦΛΕΚΤΕΣ ΟΥΣΙΕΣ ΑΠΑΓΟΡΕΥΟΝΤΑΙ ΑΥΣΤΗΡΑ

Χρησιμοποιούμενη βενζίνη: Βενζίνη αυτοκινήτου (αμόλυβδη βενζίνη)

- Ξεσφίξτε λίγο το καπάκι του ρεζερβουάρ έτσι ώστε να μην υπάρχει διαφορά στην ατμοσφαιρική πίεση.
- Αποσπάστε το καπάκι του ρεζερβουάρ, και ανεφοδιάστε, εκτονώνοντας τον αέρα γέρνοντας το ρεζερβουάρ καυσίμου έτσι ώστε η τρύπα ανεφοδιασμού να βλέπει προς τα πάνω. (Ποτέ να μην γεμίζετε το καύσιμο πλήρως έως την τρύπα ανεφοδιασμού του λαδιού.)
- Σκουπίστε καλά την περιφέρεια του καπακιού του ρεζερβουάρ για να αποτρέψετε στα ξένα σώματα να μπουν μέσα στο ρεζερβουάρ καυσίμου.
- Μετά τον ανεφοδιασμό, σφίξτε καλά το καπάκι του ρεζερβουάρ.
- Εάν υπάρχει κάποια ανωμαλία ή ζημιά στο καπάκι του ρεζερβουάρ, αντικαταστήστε το.
- Το καπάκι του ρεζερβουάρ είναι αναλώσιμο και επομένως θα πρέπει να αντικαθίσταται κάθε δυο με τρία χρόνια.



ΣΩΣΤΟΣ ΧΕΙΡΙΣΜΟΣ ΤΟΥ ΜΗΧΑΝΗΜΑΤΟΣ

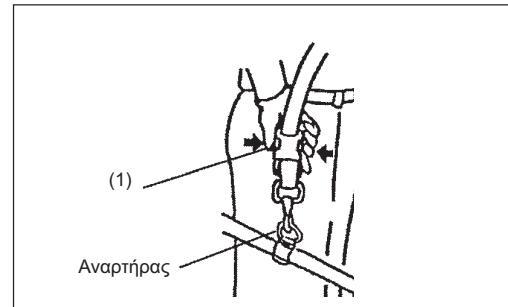
Τοποθέτηση του ιμάντα του ώμου

- Προσαρμόστε τον ιμάντα στο κατάλληλο μήκος για τη λειτουργίας σας.

Αποσύνδεση

- Σε κατάσταση έκτακτης ανάγκης, σπρώξτε τις εγκοπές (1) προς τις δυο πλευρές, και με τον τρόπο αυτό αποσυνδέεται το μηχάνημα από εσάς.
Τη στιγμή αυτή δώστε μεγάλη προσοχή για να διατηρήσετε τον έλεγχο του μηχανήματος. Μην επιτρέψετε στο μηχάνημα να εκτραπεί προς τα εσάς ή προς τον οποιονδήποτε στην περιοχή εργασίας.

ΠΡΟΕΙΔΟΠΟΙΗΣΗ: Αν δεν διατηρήσετε τον πλήρη έλεγχο του μηχανήματος μπορεί να προκληθεί σοβαρός σωματικός τραυματισμός ή ΘΑΝΑΤΟΣ.



ΣΗΜΕΙΩΣΕΙΣ ΓΙΑ ΤΟ ΧΕΙΡΙΣΜΟ ΚΑΙ ΠΩΣ ΝΑ ΓΙΝΕΙ ΤΟ ΣΤΑΜΑΤΗΜΑ

Να τηρείτε τους ισχύοντες κανονισμούς πρόληψης ατυχημάτων!

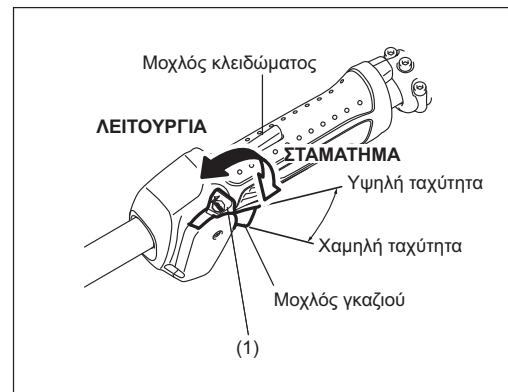


ΞΕΚΙΝΗΜΑ

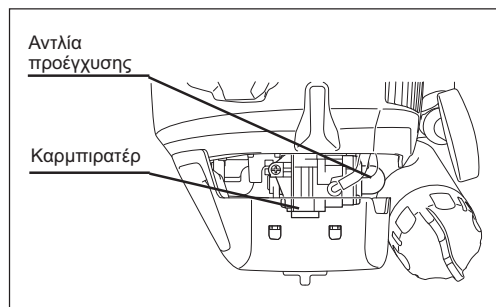
Μετακινηθείτε τουλάχιστον 3 μέτρα από το σημείο ανεφοδιασμού με καύσιμο. Τοποθετήστε τη Βενζινοκίνητη Κεφαλή Πολλαπλών Χρήσεων σε μια καθαρή περιοχή στο έδαφος δίνοντας προσοχή ώστε το προσάρτημα να μην βρίσκεται σε επαφή με το έδαφος ή με άλλα αντικείμενα.

A: Εκκίνηση εν ψυχρώ

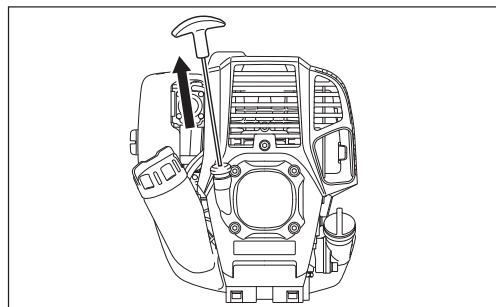
- 1) Τοποθετήστε αυτό το μηχάνημα σε μια επίπεδη επιφάνεια.
- 2) Τοποθετήστε το διακόπτη I-O (1) στη θέση ΛΕΙΤΟΥΡΓΙΑ.



- 3) Αντλία προέγχυσης
 Συνεχίστε να σπρώχνεται την αντλία προέγχυσης έως ότου το καύσιμο να εισέλθει μέσα στην αντλία προέγχυσης.
 (Γενικά, το καύσιμο εισέρχεται μέσα στην αντλία προέγχυσης με 7 έως 10 σπρωξίματα.)
 Εάν η αντλία προέγχυσης σπρωχτεί υπερβολικά, η περίσσεια ποσότητα βενζίνης επιστρέφει στο ρεζερβουάρ καυσίμου.



- 4) Εκκινήτριας ανατύλιξης
 Τραβήξτε το κουμπί της μίζας ελαφρά έως ότου καταστεί δύσκολο το τράβηγμα (σημείο συμπίεσης). Στην συνέχεια επιστρέψτε το κουμπί της μίζας, και τραβήξτε την δυνατά.
 Ποτέ να μην τραβήξετε το σχοινί μέχρι τέρμα. Όταν τραβηχτεί το κουμπί της μίζας, ποτέ να μην ελευθερώσετε το χέρι σας αμέσως. Κρατήστε το κουμπί της μίζας έως ότου να επιστρέψει στο αρχικό της σημείο.
- 5) Λειτουργία προθέρμανσης
 Συνεχίστε τη λειτουργία προθέρμανσης για 2 έως 3 λεπτά.



Σημείωση: Εάν εισέλθει υπερβολική ποσότητα καυσίμου, αφαιρέστε το μπουζί και τραβήξτε το χερούλι του εκκινήτρια αργά για να αφαιρέσετε το υπερβολικό καύσιμο. Επίσης, στεγνώστε το τμήμα του ηλεκτροδίου του μπουζιού.

Προσοχή κατά τη λειτουργία:

Εάν ο μοχλός του γκαζιού ανοίξει πλήρως κατά τη λειτουργία χωρίς φορτίο, οι περιστροφές του κινητήρα θα αυξηθούν στις 10.000 λεπτό⁻¹ ή περισσότερο. Ποτέ να μην λειτουργείτε τον κινητήρα σε υψηλότερες ταχύτητες από ό,τι απαιτείται, και διατηρήστε τις περιστροφές σε μια ταχύτητα περίπου 6.000 - 8.500 λεπτό⁻¹.

Β: Εκκίνηση μετά την λειτουργία προθέρμανσης

- 1) Σπρώξτε επαναλαμβανόμενα την αντλία προέγχυσης.
- 2) Κρατήστε τον μοχλό του γκαζιού στη θέση του ρελαντί.
- 3) Τραβήξτε γερά τον εκκινήτρια ανατύλιξης.
- 4) Εάν είναι δύσκολη η εκκίνηση του κινητήρα, ανοίξτε το γκάζι στο 1/3 περίπου. Δώστε προσοχή στο προσάρτημα το οποίο μπορεί να περιστραφεί.

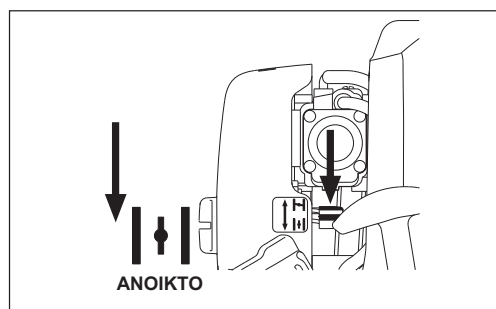
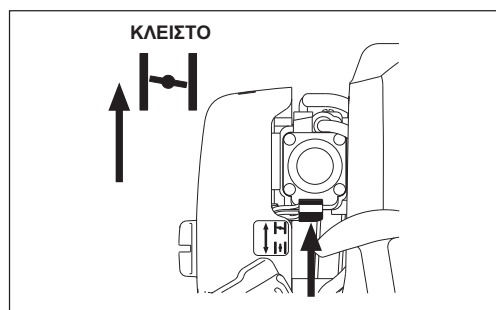
Σε κάποιες φορές, όπως το χειμώνα, που η εκκίνηση του κινητήρα είναι δύσκολη.

Λειτουργήστε το μοχλό του τσοκ με την ακόλουθη διαδικασία κατά την εκκίνηση του κινητήρα.

- Αφού εκτελέσετε τα βήμα της εκκίνησης 1) έως 3), τοποθετήστε το μοχλό του τσοκ στην ΚΛΕΙΣΤΗ θέση.
- Εκτελέστε το βήμα εκκίνησης 4) και ξεκινήστε τον κινητήρα.
- Όταν ξεκινήσει ο κινητήρας, τοποθετήστε τον μοχλό του τσοκ στην ΑΝΟΙΚΤΗ θέση.
- Εκτελέστε το βήμα εκκίνησης 5) και ολοκληρώστε το ζέσταμα.

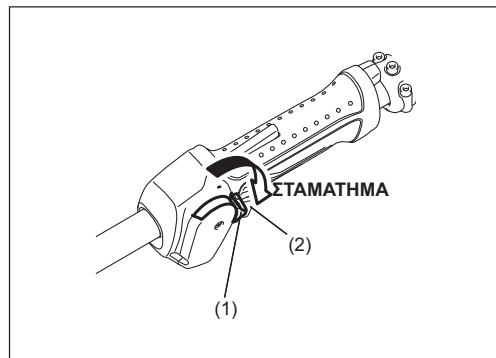
ΠΡΟΣΟΧΗ: Αν ακουστεί ένα μπαγκ (εκρηκτικός θόρυβος) και σταματήσει ο κινητήρας, ή αν σταματήσει ο κινητήρας πριν από το χειρισμό του μοχλού του τσοκ, επιστρέψτε τον μοχλό του τσοκ στην ΑΝΟΙΚΤΗ θέση και στη συνέχεια, τραβήξτε τη λαβή του εκκινήτρια μερικές φορές για να ξεκινήσει ο κινητήρας.

ΠΡΟΣΟΧΗ: Αν ο μοχλός του τσοκ παραμείνει στην ΚΛΕΙΣΤΗ θέση, και η λαβή εκκινήτρια απλά τραβηχτεί επαναλαμβανόμενα, θα εισέλθει παραπάνω ποσότητα καυσίμου και ο κινητήρας θα είναι δύσκολο να ξεκινήσει.



ΣΤΑΜΑΤΗΜΑ

- 1) Αφήστε εντελώς το μοχλό του γκαζιού (2), και μετά όταν οι στροφές του κινητήρα χαμηλώσουν, ρυθμίστε το διακόπτη I-O στη θέση ΣΤΑΣΗ και ο κινητήρας τώρα θα σταματήσει.
- 2) Έχετε υπόψη ότι το προσάρτημα μπορεί να μην σταματήσει αμέσως και αφήστε το να σταματήσει εντελώς.

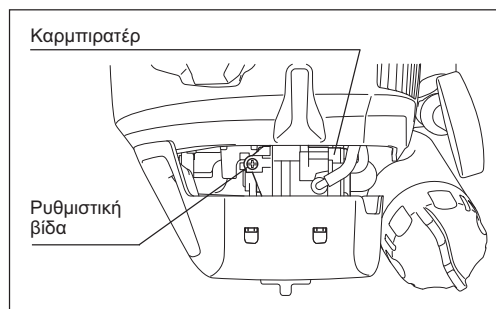


ΡΥΘΜΙΣΗ ΤΗΣ ΠΕΡΙΣΤΡΟΦΗΣ ΧΑΜΗΛΗΣ ΤΑΧΥΤΗΤΑΣ (ΡΕΛΑΝΤΙ)

Όταν είναι απαραίτητο να ρυθμίσετε την περιστροφή χαμηλής ταχύτητας (ρελαντί), εκτελέστε την από τη βίδα ρύθμισης του ρελαντί.

ΕΛΕΓΧΟΣ ΤΗΣ ΠΕΡΙΣΤΡΟΦΗΣ ΧΑΜΗΛΗΣ ΤΑΧΥΤΗΤΑΣ

- Ρυθμίστε την περιστροφή χαμηλής ταχύτητας στις 3.000 min⁻¹.
Εάν είναι απαραίτητο να αλλάξει η ταχύτητα περιστροφής, προσαρμόστε την ρυθμιστική βίδα (που δείχνεται στα αριστερά), με ένα σταυρωτό κατσαβίδι.
- Στρέψτε την ρυθμιστική βίδα προς τα δεξιά, και η περιστροφή του κινητήρα θα αυξηθεί.
Στρέψτε την ρυθμιστική βίδα προς τα αριστερά, και η περιστροφή του κινητήρα θα μειωθεί.
- Το καρμπιρατέρ είναι γενικά ρυθμισμένο πριν την αποστολή. Εάν είναι απαραίτητη η επαναρύθμιση, παρακαλώ ελάτε σε επαφή με τον Εξουσιοδοτημένο Αντιπρόσωπο του Σέρβις.



ΟΔΗΓΙΕΣ ΣΕΡΒΙΣ

ΠΡΟΣΟΧΗ: Πριν κάνετε την οποιαδήποτε εργασία πάνω στη Βενζινοκίνητη Κεφαλή Πολλαπλών Χρήσεων, πάντοτε να σταματάτε τον κινητήρα και να απουσιάζετε το σύνδεσμο του μπουζί από το μπουζί (δείτε την ενότητα "έλεγχος του μπουζί").

Πάντοτε να φοράτε προστατευτικά γάντια!

Μην χρησιμοποιήσετε βενζίνη, βενζόλη, διαλυτικό, αλκοόλη ή κάτι παρόμοιο. Μπορεί να προκληθεί αποχρωματισμός, παραμόρφωση ή ρωγμές.

Για την διασφάλιση της μεγάλης διάρκειας ζωής και της αποφυγής της ζημιάς στη συσκευή, εκτελείτε κατά τακτά διαστήματα τις παρακάτω εργασίες συντήρησης.

Καθημερινός έλεγχος και συντήρηση

- Πριν την λειτουργία, ελέγξτε την συσκευή για ξεσφιγμένες βίδες ή εξαρτήματα που λείπουν. Δώστε ιδιαίτερη προσοχή στο ειδικό εξάρτημα για την ασφαλή του στερέωση.
- Πριν από την λειτουργία, πάντοτε να ελέγχετε για την ύπαρξη βουλώματος στους αεραγωγούς ψύξης και στα πτερύγια του κυλίνδρου. Καθαρίστε τα αν είναι απαραίτητο.
- Εκτελέστε την παρακάτω εργασία καθημερινά μετά την χρήση:
 - Καθαρίστε εξωτερικά το Βενζινοκίνητη Κεφαλή Πολλαπλών Χρήσεων και επιθεωρήστε την για ύπαρξη ζημιάς.
 - Καθαρίστε το στοιχείο καθαρισμού αέρα. Κατά την εργασία υπό συνθήκες με πολύ σκόνη, καθαρίστε το στοιχείο καθαρισμού αέρα αρκετές φορές την μέρα.
 - Ελέγξτε για να διαπιστώσετε ότι υπάρχει επαρκής διαφορά μεταξύ των ταχυτήτων του ρελαντί και της λειτουργίας και να διασφαλίσετε ότι το προσάρτημα είναι σταματημένο όταν ο κινητήρας βρίσκεται στο ρελαντί (εάν είναι απαραίτητο, ελαττώστε την ταχύτητα του ρελαντί). Εάν στο ρελαντί το εργαλείο συνεχίσει να λειτουργεί, συμβουλευτείτε τον κοντινότερο Εξουσιοδοτημένο Αντιπρόσωπο του Σέρβις.
- Ελέγξτε τη λειτουργικότητα του διακόπτη I-O, του μοχλού κλειδώματος και του μοχλού του γκαζιού.

ΑΝΤΙΚΑΤΑΣΤΑΣΗ ΤΟΥ ΛΑΔΙΟΥ ΤΟΥ ΚΙΝΗΤΗΡΑ

Το αλλοιωμένο λάδι του κινητήρα θα μικρύνει τη διάρκεια ζωής των εξαρτημάτων που ολισθαίνουν και περιστρέφονται κατά μεγάλο βαθμό. Φροντίστε να ελέγχετε την περίοδο και την ποσότητα της αντικατάστασης.



ΠΡΟΣΟΧΗ: Γενικά, η κύρια μονάδα του κινητήρα και το λάδι του κινητήρα παραμένουν ακόμη ζεστά αμέσως μετά το σταμάτημα του κινητήρα. Κατά την αντικατάσταση του λαδιού, επιβεβαιώστε ότι η κύρια μονάδα του κινητήρα και το λάδι του κινητήρα έχουν επαρκώς κρυσώσει. Διαφορετικά υπάρχει ο κίνδυνος εγκαύματος.

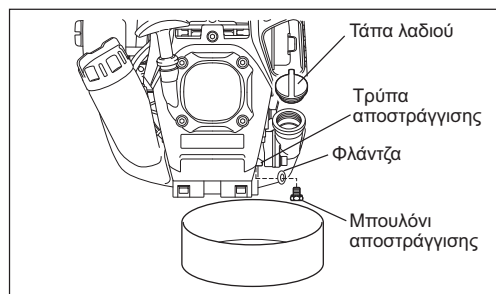
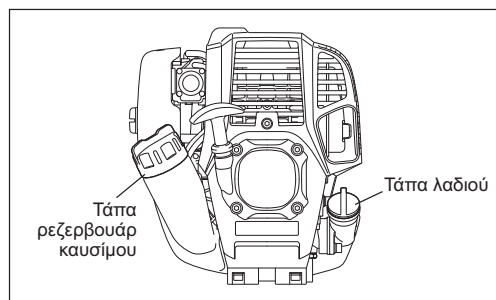
Σημείωση: Εάν το λάδι γεμίσει πάνω από το όριο, το λάδι μπορεί να ρυπανθεί ή να πιάσει φωτιά με άσπρο καπνό.

Περίοδοι αντικατάστασης: Αρχικά, κάθε 20 ώρες λειτουργίας, και στη συνέχεια κάθε 50 ώρες λειτουργίας

Συνιστώμενο λάδι: SAE 10W-30 λάδι Κατηγορίας API Κλάση SF ή υψηλότερη (4-χρονος κινητήρας για αυτοκίνητα)

Κατά την αντικατάσταση εκτελέστε την παρακάτω διαδικασία.

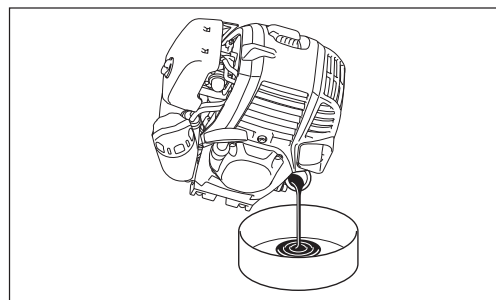
- 1) Επιβεβαιώστε ότι το καπάκι του ρεζερβουάρ καυσίμου είναι καλά σφιγμένο.
- 2) Τοποθετήστε ένα μεγάλο δοχείο (λεκάνη, κτλ) κάτω από την τρύπα αποστράγγισης.
- 3) Αφαιρέστε το μπουλόνι αποστράγγισης και στη συνέχεια αφαιρέστε την τάπα του λαδιού για να αποστραγγιστεί το λάδι από την τρύπα αποστράγγισης. Τη στιγμή αυτή, φροντίστε ώστε να μην χάσετε τη φλάντζα του μπουλονιού αποστράγγισης ή να μην κολλήσει βρωμιά πάνω στα εξαρτήματα που έχουν αφαιρεθεί.
- 4) Όταν αποστραγγιστεί όλο το λάδι, ενώστε τη φλάντζα με το μπουλόνι αποστράγγισης και στερεώστε καλά το μπουλόνι αποστράγγισης έτσι ώστε να μην μπορεί να χαλαρώσει και να προκαλέσει διαρροές.
* Χρησιμοποιώντας ένα ύφασμα σκουπίστε το λάδι που τυχόν υπάρχει πάνω στο μπουλόνι ή στη συσκευή.



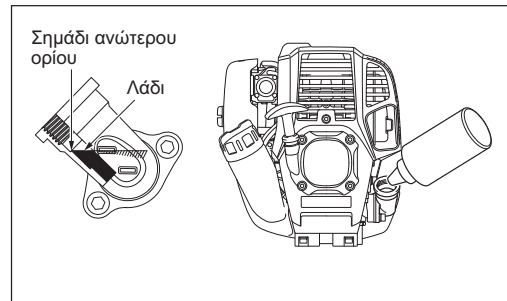
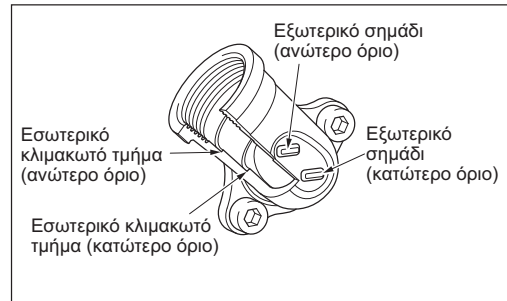
Εναλλακτική μέθοδος αποστράγγισης

Αφαιρέστε τη τάπα του λαδιού, δώστε κλίση στη Βενζινοκίνητη Κεφαλή Πολλαπλών Χρήσεων προς το μέρος της τρύπας του πληρωτή λαδιού και στη συνέχεια, αποστραγγίστε έξω το λάδι.

Συλλέξτε το λάδι στο δοχείο.



- 5) Τοποθετήστε επίπεδα τον κινητήρα και στη συνέχεια, γεμίστε βαθμιαία έως τη σήμανση του ανώτερου ορίου με καινούργιο λάδι.
- 6) Μετά το γέμισμα, σφίξτε καλά την τάπα του λαδιού έτσι ώστε να μην ξεσφίξει και προκαλέσει διαρροές.
Εάν η τάπα του λαδιού δεν στερεωθεί καλά μπορεί να προκληθεί διαρροή.



ΣΗΜΕΙΩΣΕΙΣ ΓΙΑ ΤΟ ΛΑΔΙ

- Ποτέ να μην πετάξετε το παλιό λάδι στα σκουπίδια, στο έδαφος ή στην αποχέτευση. Η απόρριψη του λαδιού υπόκειται στην νομοθεσία. Κατά την απόρριψη, πάντοτε να ακολουθείτε τους σχετικούς νόμους και κανονισμούς. Εάν δεν γνωρίζετε κάποια στοιχεία, επικοινωνήστε με τον Εξουσιοδοτημένο Αντιπρόσωπο του Σέρβις.
- Το λάδι θα αλλοιωθεί ακόμη και αν το φυλάξετε αχρησιμοποίητο. Εκτελέστε τον έλεγχο και την αντικατάσταση σε τακτά διαστήματα (αντικαταστήστε με καινούργιο λάδι κάθε 6 μήνες).

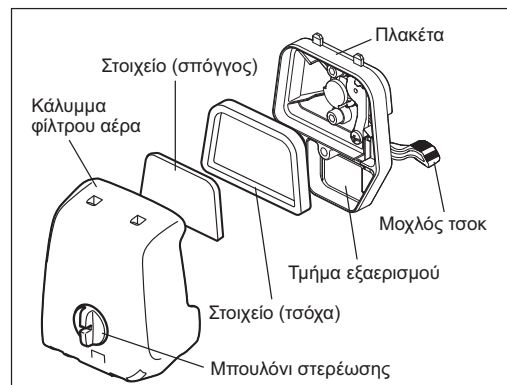
ΚΑΘΑΡΙΣΜΟΣ ΦΙΛΤΡΟΥ ΑΕΡΑ



ΚΙΝΔΥΝΟΣ: ΟΙ ΕΥΦΛΕΚΤΕΣ ΟΥΣΙΕΣ ΑΠΑΓΟΡΕΥΟΝΤΑΙ ΑΥΣΤΗΡΑ

Χρονικό διάστημα καθαρισμού και επιθεώρησης: Καθημερινά (κάθε 10 ώρες λειτουργίας)

- Στρέψτε το μοχλό του τσοκ στην πλήρως κλειστή πλευρά και κρατήστε το καρμπρατέρ καθαρό από βρωμιά ή σκόνη.
- Ξεσφίξτε το μπουλόνι στερέωσης.
- Αφαιρέστε το κάλυμμα του φίλτρου αέρα τραβώντας την πίσω πλευρά του.
- Αφαιρέστε τα στοιχεία και χτυπήστε τα ελαφρά για να αφαιρέσετε τις βρωμιές.
- Εάν τα στοιχεία είναι πάρα πολύ ρυπαρά: Αφαιρέστε τα στοιχεία, βυθίστε τα σε ζεστό νερό ή σε νερό με διαλυμένο ουδέτερο απορρυπαντικό, και στεγνώστε τα εντελώς. Μην τα πιέζετε και μην τα τρίβετε κατά το πλύσιμο.
- Πριν συνδέσετε τα στοιχεία, φροντίστε να τα στεγνώστε αμέσως. Το ανεπαρκές στέγνωμα των στοιχείων μπορεί να οδηγήσει στη δυσκολία στην εκκίνηση.
- Σκουπίστε με ένα άχρηστο πανί το λάδι που είναι κολλημένο γύρω από το κάλυμμα του φίλτρου αέρα και το τμήμα του τμήματος αερισμού.
- Τοποθετήστε το στοιχείο (σπόγγος) μέσα στο στοιχείο (τσόχα). Τοποθετήστε τα στοιχεία μέσα στην πλακέτα έτσι ώστε ο σπόγγος να βλέπει προς το κάλυμμα του φίλτρου αέρα.
- Αμέσως συνδέστε το κάλυμμα του φίλτρου και σφίξτε το με τα μπουλόνια στερέωσης. (Κατά την επανατοποθέτηση, πρώτα τοποθετήστε την πάνω προεξοχή, και στη συνέχεια την κάτω προεξοχή.)



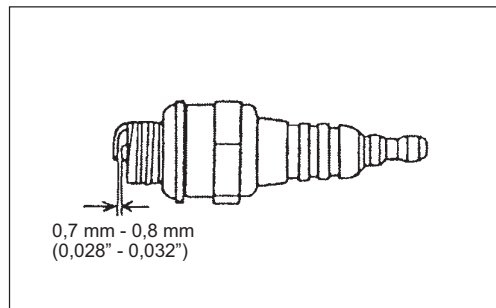
ΣΗΜΕΙΩΣΕΙΣ:

- Καθαρίστε τα στοιχεία αρκετές φορές την ημέρα, εάν κολλάει πάνω τους υπερβολική σκόνη. Τα βρώμικα στοιχεία μειώνουν την ισχύ του κινητήρα και δυσχεραίνουν την εκκίνηση του κινητήρα.
- Αφαιρέστε το λάδι από τα στοιχεία. Εάν συνεχιστεί η λειτουργία με τα στοιχεία να παραμένουν βρώμικα από λάδι, το λάδι από το φίλτρο αέρα μπορεί να πέσει έξω, ρυπαίνοντας έτσι το περιβάλλον.
- Μην τοποθετείτε τα στοιχεία στο έδαφος ή σε βρώμικο σημείο. Διαφορετικά, μαζεύουν σκόνη ή θραύσματα και μπορεί να προκληθεί βλάβη στον κινητήρα.
- Ποτέ να μην χρησιμοποιείτε καύσιμα για τον καθαρισμό των στοιχείων. Τα καύσιμα μπορεί να προκαλέσουν βλάβη σε αυτά.

ΕΛΕΓΧΟΣ ΤΟΥ ΜΠΟΥΖΙ

- Χρησιμοποιήστε μόνο το παρεχόμενο κλειδί γενικής χρήσης για την αφαίρεση ή την τοποθέτηση του μπουζί.
- Το διάκενο μεταξύ των δυο ηλεκτροδίων του μπουζί πρέπει να είναι 0,7 - 0,8 mm (0,028" - 0,032"). Διορθώστε το διάκενο εάν είναι πολύ μεγάλο ή μικρό. Εάν το μπουζί είναι βουλωμένο ή ρυπαρό, καθαρίστε το καλά ή αντικαταστήστε το.

ΠΡΟΣΟΧΗ: Ποτέ να μην αγγίζετε το σύνδεσμο του μπουζί καθώς λειτουργεί ο κινητήρας (υπάρχει κίνδυνος ηλεκτροπληξίας από την υψηλή τάση).



ΚΑΘΑΡΙΣΜΑ ΦΙΛΤΡΟΥ ΚΑΥΣΙΜΟΥ ΠΡΟΕΙΔΟΠΟΙΗΣΗ: ΟΙ ΕΥΦΛΕΚΤΕΣ ΟΥΣΙΕΣ ΑΠΑΓΟΡΕΥΟΝΤΑΙ ΑΥΣΤΗΡΑ

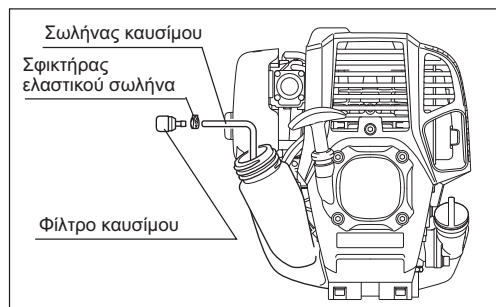
Χρονικό διάστημα καθαρισμού και επιθεώρησης: Μηνιαία (κάθε 50 ώρες λειτουργίας)

Κεφαλή αναρρόφησης στο ρεζερβουάρ καυσίμου

Ελέγξτε περιοδικά το φίλτρο καυσίμου. Για να ελέγξετε το φίλτρο καυσίμου, ακολουθήστε τα παρακάτω βήματα.

- (1) Αφαιρέστε το καπάκι του ρεζερβουάρ καυσίμου, και αποστραγγίστε το καύσιμο για να αδειάσετε το ρεζερβουάρ. Ελέγξτε το εσωτερικό του ρεζερβουάρ για τυχόν ξένα υλικά. Εάν υπάρχουν, αφαιρέστε τα.
- (2) Χρησιμοποιήστε ένα συρματένιο άγκιστρο και τραβήξτε έξω την κεφαλή αναρρόφησης μέσα από το άνοιγμα του ρεζερβουάρ.
- (3) Εάν το φίλτρο καυσίμου έχει βουλώσει ελαφρώς, καθαρίστε το. Για να το καθαρίσετε, ανακινήστε το μαλακά και χτυπήστε το ελαφρά στο καύσιμο. Για την αποφυγή ζημιάς, μην το πιέσετε ή το τρίψετε. Το καύσιμο που χρησιμοποιείται για τον καθαρισμό πρέπει να απορρίπτεται σύμφωνα με τη μέθοδο που καθορίζεται από τους κανονισμούς της χώρας σας.
Εάν το φίλτρο καυσίμου έχει σκληρύνει ή βουλώσει πολύ, αντικαταστήστε το.
- (4) Μετά τον έλεγχο, τον καθαρισμό ή την αντικατάσταση, πιέστε το φίλτρο καυσίμου μέχρι τέρμα στο κάτω μέρος του ρεζερβουάρ καυσίμου.

Το βουλωμένο ή φθαρμένο φίλτρο καυσίμου μπορεί να προκαλέσει ανεπαρκή τροφοδοσία καυσίμου και να μειώσει την ισχύ του κινητήρα. Αντικαταστήστε το φίλτρο καυσίμου τουλάχιστον κάθε τρεις μήνες για να εξασφαλίσετε την ικανοποιητική τροφοδοσία καυσίμου στο καρμπιρατέρ.

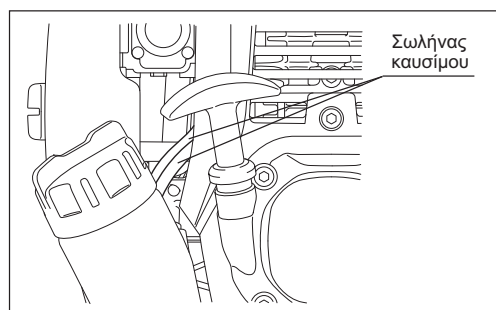


ΑΝΤΙΚΑΤΑΣΤΑΣΗ ΤΗΣ ΣΩΛΗΝΑΣ ΚΑΥΣΙΜΟΥ ΠΡΟΣΟΧΗ: ΟΙ ΕΥΦΛΕΚΤΕΣ ΟΥΣΙΕΣ ΑΠΑΓΟΡΕΥΟΝΤΑΙ ΑΥΣΤΗΡΑ

Χρονικό διάστημα καθαρισμού και επιθεώρησης: Καθημερινά (κάθε 10 ώρες λειτουργίας)

Αντικατάσταση: Ετήσια (κάθε 200 ώρες λειτουργίας)

Αντικαταστήστε την σωλήνα καυσίμου κάθε χρόνο, ανεξάρτητα από την συχνότητα χρήσης. Η διαρροή καυσίμου μπορεί να οδηγήσει στην πυρκαγιά. Εάν ανιχνευτεί η οποιαδήποτε διαρροή κατά την επιθεώρηση, αντικαταστήστε αμέσως την σωλήνα καυσίμου.



ΕΠΙΘΕΩΡΗΣΗ ΜΠΟΥΛΟΝΙΩΝ, ΠΑΞΙΜΑΔΙΩΝ ΚΑΙ ΒΙΔΩΝ

- Σφίξτε ξανά τα χαλαρά μπουλόνια, παξιμάδια κτλ.
- Ελέγξτε για την περίπτωση διαρροής καυσίμου και λαδιού.
- Αντικαταστήστε τα φθαρμένα εξαρτήματα με καινούργια για μια ασφαλή λειτουργία.

ΚΑΘΑΡΙΣΜΟΣ ΕΞΑΡΤΗΜΑΤΩΝ

- Διατηρήστε τον κινητήρα πάντοτε καθαρό.
- Καθαρίστε τα πτερύγια του κυλίνδρου καθαρά από σκόνη ή βρωμιά. Η κολλημένη σκόνη ή βρωμιά στα πτερύγια θα προκαλέσει το σφήνωμα του πιστονιού.

ΑΝΤΙΚΑΤΑΣΤΑΣΗ ΦΛΑΝΤΖΩΝ ΚΑΙ ΣΤΟΙΧΕΙΩΝ ΣΥΝΑΡΜΟΛΟΓΗΣΗΣ

Κατά την επανασυναρμολόγηση του κινητήρα μετά από την αποσυναρμολόγηση του, φροντίστε να αντικαταστήσετε όλες τις φλάντζες και τα στοιχεία συναρμολόγησης με καινούργια.

Η οποιαδήποτε εργασία συντήρησης ή ρύθμισης που δεν συμπεριλαμβάνεται και δεν περιγράφεται σε αυτό το εγχειρίδιο θα πρέπει να εκτελείται μόνο από τους Εξουσιοδοτημένους Αντιπροσώπους του Σέρβις.

ΑΠΟΘΗΚΕΥΣΗ

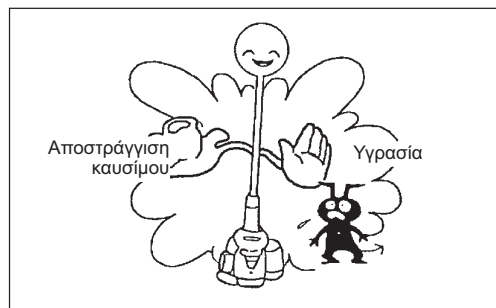


ΠΡΟΕΙΔΟΠΟΙΗΣΗ: Κατά την αποστράγγιση του καυσίμου, φροντίστε να σταματήσετε τον κινητήρα και επιβεβαιώσετε ότι ο κινητήρας έχει κρυώσει. Μετά το σταμάτημα, ο κινητήρας μπορεί να είναι ακόμη ζεστός με την πιθανότητα πρόκλησης εγκαύματος, αναφλεξιμότητας και πυρκαγιάς.



ΠΡΟΣΟΧΗ: Όταν το μηχάνημα πρόκειται να μείνει εκτός λειτουργίας για μεγάλο χρονικό διάστημα, αποστραγγίστε όλο το καύσιμο από το ρεζερβουάρ καυσίμου και το καρμπυρατέρ, και στην συνέχεια φυλάξτε το σε ένα ξηρό και καθαρό μέρος.

- Αποστραγγίστε το καύσιμο από το ρεζερβουάρ καυσίμου και το καρμπυρατέρ σύμφωνα με την παρακάτω διαδικασία:
 - 1) Αφαιρέστε το καπάκι του ρεζερβουάρ καυσίμου, και αποστραγγίστε εντελώς το καύσιμο.
Εάν υπάρχει το οποιοδήποτε ξένο σώμα μέσα στο ρεζερβουάρ καυσίμου, αφαιρέστε το εντελώς.
 - 2) Τραβήξτε έξω το φίλτρο καυσίμου από την τρύπα ανεφοδιασμού χρησιμοποιώντας ένα σύρμα.
 - 3) Σπρώξτε την αντλία προέγχυσης έως ότου αποστραγγιστεί το καύσιμο από εκεί, και το αποστραγγισμένο καύσιμο να μπει μέσα στο ρεζερβουάρ καυσίμου.
 - 4) Επαναποθετήστε το φίλτρο στο ρεζερβουάρ καυσίμου, και σφίξτε καλά το καπάκι του ρεζερβουάρ καυσίμου.
 - 5) Στη συνέχεια συνεχίστε να λειτουργείτε τον κινητήρα έως ότου σταματήσει.
- Αφαιρέστε το μπουζι και ρίξτε αρκετές σταγόνες λαδιού κινητήρα μέσα στην τρύπα του μπουζι.
- Τραβήξτε με προσοχή το χερούλι του εκκινητήρα έτσι ώστε το λάδι του κινητήρα να απλωθεί πάνω από τον κινητήρα και συνδέσει το μπουζι.
- Μην μετακινήσετε τον μοχλό στην κλειδωμένη θέση χωρίς να έχετε συνδέσει το προσάρτημα.
Όταν ο μοχλός βρίσκεται στην κλειδωμένη θέση χωρίς να υπάρχει το προσάρτημα, δεν μπορεί να στερεωθεί ο άξονας του κονταριού του προσαρτήματος.
- Κατά την αποθήκευση, διατηρήστε τη ράβδο οριζόντια ή κρατήστε το μηχάνημα όρθιο με το άκρο της ένωσης να βλέπει προς τα επάνω. (Στην περίπτωση αυτή, δώστε πολύ προσοχή για την αποφυγή της πτώσης του μηχανήματος.)
Ποτέ να μην αποθηκεύετε το μηχάνημα με την ένωση να βλέπει προς τα κάτω. Το λιπαντικό λάδι μπορεί να χυθεί έξω.
- Διατηρήστε το αποστραγγισμένο καύσιμο μέσα σε ένα ειδικό δοχείο σε ένα καλά αεριζόμενο χώρο υπό σκιά.



Προσοχή μετά από μια παρατεταμένη αποθήκευση.

- Πριν την εκκίνηση μετά από ένα παρατεταμένο διάστημα διακοπής, φροντίστε να αντικαταστήσετε το λάδι (ανατρέξτε στη Σ 185). Το λάδι θα αλλοιωθεί κατά το διάστημα στο οποίο το μηχάνημα δεν βρίσκεται σε λειτουργία.

Εντοπισμός σφάλματος

Σφάλμα	Σύστημα	Παρατήρηση	Αιτία
Ο κινητήρας δεν ξεκινά ή ξεκινά με δυσκολία	Σύστημα ανάφλεξης	Σπινθήρας ανάφλεξης ΕΝΤΑΞΕΙ Δεν υπάρχει σπινθήρας ανάφλεξης	Σφάλμα στην παροχή καυσίμου ή στο σύστημα συμπίεσης, μηχανική βλάβη Ο διακόπτης ΣΤΑΣΗΣ είναι ενεργοποιημένος, σφάλμα καλωδίωσης ή βραχυκύκλωμα, ελαττωματικό μπουζι ή σύνδεσμος, βλάβη στο σύστημα ανάφλεξης
	Τροφοδοσία καυσίμου	Γεμάτο ρεζερβουάρ καυσίμου	Λανθασμένη θέση του τσοκ, ελαττωματικό καρμπυρατέρ, σωλήνας παροχής καυσίμου λυγισμένος ή μπλοκαρισμένος, βρώμικο καύσιμο
	Συμπίεση	Καμιά συμπίεση κατά το τράβηγμα	Ελαττωματική ή κάτω στεγανοποιητική φλάντζα του κυλίνδρου, φθαρμένα στεγανοποιητικά του στροφαλοφόρου, ελαττωματικοί δακτύλιοι του κυλίνδρου ή του πιστονιού ή ακατάλληλη στεγανοποίηση του μπουζι
	Μηχανική βλάβη	Ο εκκινητήρας δεν λειτουργεί	Σπασμένο ελατήριο του εκκινητήρα, σπασμένα εξαρτήματα μέσα στον κινητήρα
Προβλήματα θερμής εκκίνησης		Γεμάτο το ρεζερβουάρ ύπαρξη σπίθας ανάφλεξης	Ρυπαρό καρμπυρατέρ, καθαρίστε το
Ο κινητήρας ξεκινά αλλά σβήνει	Τροφοδοσία καυσίμου	Ρεζερβουάρ γεμάτο	Λανθασμένη ρύθμιση του καρμπυρατέρ, βρώμικο καρμπυρατέρ Ελαττωματικό άνοιγμα του ρεζερβουάρ καυσίμου, διακοπή στο σωλήνα παροχής καυσίμου, ελαττωματικό καλώδιο ή διακόπτης ΣΤΑΣΗΣ
Ανεπαρκής απόδοση	Πολλά συστήματα μπορεί να είναι ταυτόχρονα ελαττωματικά	Ανεπαρκές ρελαντί του κινητήρα	Βρώμικο φίλτρο αέρα, βρώμικο καρμπυρατέρ, σιγαστήρας βουλωμένος, αγωγός εξάτμισης βουλωμένος

Χρόνος λειτουργίας Στοιχείο		Πριν τη λειτουργία	Μετά τη λειτουργία	Καθημερινά (10 ώρες)	30 ώρες	50 ώρες	200 ώρες	Παύση/ αποθήκευση	Αντίστοιχη Σ
Λάδι κινητήρα	Επιθεώρηση/ καθαρισμός	○							181
	Αντικατάσταση					○*1			185
Σφίξιμο εξαρτημάτων (μπουλόνη, παξιμάδι)	Επιθεώρηση	○							187
Ρεζερβουάρ καυσίμου	Καθάρισμα/ επιθεώρηση	○							—
	Αποστράγγιση καυσίμου							○*3	188
Μοχλός γκαζιού	Έλεγχος λειτουργίας		○						—
Διακόπτης διακοπής	Έλεγχος λειτουργίας		○						184
Περιστροφή χαμηλής ταχύτητας	Επιθεώρηση/ ρύθμιση			○					184
Φίλτρο αέρα	Καθάρισμα			○					186
Μπουζί	Επιθεώρηση			○					187
Ψυκτικός αεραγωγός	Καθάρισμα/ επιθεώρηση			○					187
Σωλήνας καυσίμου	Επιθεώρηση			○					187
	Αντικατάσταση						◎*2		—
Φίλτρο καυσίμου	Καθαρισμός/ αντικατάσταση					○			187
Διάκενο μεταξύ της βαλβίδας εισαγωγής και της βαλβίδας εκκένωσης	Ρυθμίστε						◎*2		—
Λεπτομερής επιθεώρηση κινητήρα							◎*2		—
Καρμπιρατέρ	Αποστράγγιση καυσίμου							○*3	188

*1 Εκτελέστε την αρχική αντικατάσταση μετά από 20 ώρες λειτουργίας.

*2 Για την επιθεώρηση των 200 ωρών, απευθυνθείτε σε ένα Εξουσιοδοτημένο Αντιπρόσωπο του Σέρβις ή σε ένα συνεργείο.

*3 Μετά το άδειασμα του ρεζερβουάρ καυσίμου, συνεχίστε τη λειτουργία του κινητήρα για την αποστράγγιση του καυσίμου στο καρμπιρατέρ.

Ελέγξτε τα εγχειρίδια οδηγιών για κάθε προσάρτημα και εκτελέστε τη συντήρησή τους, όταν αυτά χρησιμοποιούνται.

ΕΠΙΛΥΣΗ ΠΡΟΒΛΗΜΑΤΩΝ

Πριν ζητήσετε βοήθεια για επισκευές, ελέγξτε το πρόβλημα μόνοι σας. Εάν βρεθεί κάποια ανωμαλία, χειριστείτε το μηχάνημά σας σύμφωνα με τα όσα περιγράφονται σε αυτό το εγχειρίδιο. Ποτέ μην προσπαθήσετε να αποσυναρμολογήσετε το οποιοδήποτε εξάρτημα ενάντια σε όσα περιγράφονται. Για επισκευές, ελάτε σε επαφή με τον Εξουσιοδοτημένο Αντιπρόσωπο του Σέρβις ή την τοπική αντιπροσωπεία.

Κατάσταση προβλήματος	Πιθανή αιτία (δυσλειτουργία)	Αποκατάσταση
Ο κινητήρας δεν ξεκινά	Αστοχία λειτουργίας της αντλίας προέγχυσης	Σπρώξτε 7 με 10 φορές.
	Χαμηλή ταχύτητα τραβήγματος του κορδονιού του εκκινήτjρα	Τραβήξτε πιο δυνατά
	Έλλειψη καυσίμου	Προσθέστε καύσιμο
	Βουλωμένο φίλτρο καυσίμου	Καθάρισμα
	Λυγισμένος σωλήνας καυσίμου	Ισιώστε το σωλήνα καυσίμου
	Αλλοιωμένο καύσιμο	Το αλλοιωμένο καύσιμο καθιστά την εκκίνηση πιο δύσκολη. Αντικαταστήστε με ένα καινούργιο. (Συνιστώμενη αντικατάσταση: 1 μήνας)
	Υπερβολική αναρρόφηση καυσίμου	Τοποθετήστε το μοχλό του γκαζιού από την ενδιάμεση ταχύτητα στην υψηλή ταχύτητα και τραβήξτε το χερούλι του εκκινήτjρα έως ότου να ξεκινήσει ο κινητήρας. Όταν ξεκινήσει ο κινητήρας, το προσάρτημα αρχίζει να περιστρέφεται. Δώστε πλήρη προσοχή στο προσάρτημα. Εάν ο κινητήρας δεν ξεκινά ακόμη, αφαιρέστε το μπουζί, στεγνώστε το ηλεκτρόδιο, και επανατοποθετήστε τα στην αρχική τους θέση. Στη συνέχεια, ξεκινήστε όπως έχει καθοριστεί προηγουμένως.
	Αποσυνδεδεμένο καπάκι του μπουζί	Συνδέστε το καλά
	Ρυπαρό μπουζί	Καθάρισμα
	Μη φυσιολογικό διάκενο του μπουζί	Ρυθμίστε το διάκενο
	Άλλη ανωμαλία του μπουζί	Αντικατάσταση
	Μη φυσιολογικό καρμπιρατέρ	Ζητήστε την επιθεώρηση και συντήρηση.
	Το κορδόνι του εκκινήτjρα δεν μπορεί να τραβηχτεί	Ζητήστε την επιθεώρηση και συντήρηση.
	Μη φυσιολογικό σύστημα μετάδοσης	Ζητήστε την επιθεώρηση και συντήρηση.
Ο κινητήρας σταματά γρήγορα Η ταχύτητα του κινητήρα δεν αυξάνεται	Ανεπαρκές ζέσταμα	Εκτελέστε την λειτουργία προθέρμανσης
	Ο μοχλός του τσοκ είναι τοποθετημένος στο "ΚΛΕΙΣΤΟ" παρότι έχει ζεσταθεί ο κινητήρας.	Τοποθετήστε στο "ΑΝΟΙΚΤΟ"
	Βουλωμένο φίλτρο καυσίμου	Καθαρισμός ή αντικατάσταση
	Ρυπαρό ή βουλωμένο φίλτρο αέρα	Καθάρισμα
	Μη φυσιολογικό καρμπιρατέρ	Ζητήστε την επιθεώρηση και συντήρηση.
	Μη φυσιολογικό σύστημα μετάδοσης	Ζητήστε την επιθεώρηση και συντήρηση.
Το προσάρτημα δεν περιστρέφεται ή δεν μετακινείται	Το προσάρτημα δεν έχει εισαχθεί στο καθορισμένο σημείο.	Εισάγετε σύμφωνα με τις οδηγίες.
↓ Σταματήστε τον κινητήρα αμέσως	Μη φυσιολογικό σύστημα μετάδοσης	Ζητήστε την επιθεώρηση και συντήρηση.
Η κύρια μονάδα υφίσταται ανώμαλη δόνηση	Το προσάρτημα δεν έχει εισαχθεί στο καθορισμένο σημείο.	Εισάγετε σύμφωνα με τις οδηγίες.
↓ Σταματήστε τον κινητήρα αμέσως	Ξεσφιγμένος μοχλός	Σφίξτε καλά.
Μη φυσιολογικό σύστημα μετάδοσης	Μη φυσιολογικό σύστημα μετάδοσης	Ζητήστε την επιθεώρηση και συντήρηση.
Το προσάρτημα δεν σταματά αμέσως	Υψηλή περιστροφή του ρελαντί	Ρυθμίστε
↓ Σταματήστε τον κινητήρα αμέσως	Αποσυνδεδεμένο καλώδιο γκαζιού	Συνδέστε το καλά
Μη φυσιολογικό σύστημα μετάδοσης	Μη φυσιολογικό σύστημα μετάδοσης	Ζητήστε την επιθεώρηση και συντήρηση.
Ο κινητήρας δεν σταματά	Αποκολλημένος συνδετήρας	Συνδέστε τον καλά
↓ Λειτουργήστε τον κινητήρα στο ρελαντί και τοποθετήστε τον μοχλό του τσοκ στο ΚΛΕΙΣΤΟ	Μη φυσιολογικό ηλεκτρικό σύστημα	Ζητήστε την επιθεώρηση και συντήρηση.

Όταν ο κινητήρας δεν ξεκινά μετά την λειτουργία προθέρμανσης:

Εάν δεν υπάρχει καμία ανωμαλία στα σημεία ελέγχου, ανοίξτε το γκάζι περίπου στο 1/3 και ξεκινήστε τον κινητήρα.

MAKITA Çok Fonksiyonlu Güç Başlığını satın aldığınız için teşekkür ederiz. Uzun bir geliştirme programının ve yılların bilgi ve birikiminin bir sonucu olarak ortaya çıkan MAKITA Çok Fonksiyonlu Güç Başlığını sizlere sunmaktan dolayı mutluluk duyuyoruz.

Makinenin üstün performansta kullanılması için birçok konuyla ilgili ayrıntılı bilgilerin bulunduğu bu kılavuzu lütfen dikkatli bir şekilde okuyun. Bu kılavuz, MAKITA Çok Fonksiyonlu Güç Başlığından mümkün olan en iyi sonuçları güvenli bir şekilde alabilmenize yardımcı olacaktır.

**İçindekiler****Sayfa**

Simgeler	191
Güvenlik talimatları	192
Teknik veriler.....	196
Onaylanan ataşmanlar	197
Parçaların gösterimi.....	198
Sapın takılması	199
Ataşmanın takılması.....	199
Söküm	200
Çalışmaya başlamadan önce	201
Makinenin doğru taşınması ve tutulması.....	203
Çalıştırma ve durdurmayla ilgili uyarılar	203
Servis talimatları	206
Saklama.....	209

SİMGELER

Bu kullanım kılavuzunu okurken karşılaştığınız simgeler aşağıda açıklanmıştır.

	Kullanım kılavuzunu okuyun ve uyarı ve güvenlik önlemlerini dikkate alın!		Koruyucu baret, gözlük ve kulaklık kullanın!
	Gerekli önlemleri alın ve dikkatli olun!		Yakıt (Benzin)
	Yasak!		Motorun manüel çalıştırılması
	Sigara içmek yasaktır!		Acil durdurma
	Açık alev yasaktır!		İlk yardım
	Mutlaka koruyucu eldiven takılmalıdır!		AÇIK/ÇALIŞIYOR
	Altı kaymayan sağlam ayakkabılar giyin. Çelik uçlu güvenlik ayakkabıları tavsiye edilir!		KAPALI/DURUYOR
	İnsanları ve hayvanları çalışma alanından uzak tutun!		

Makinenin amaçlanan kullanımı

Çok fonksiyonlu güç başlığı, bu kullanım kılavuzunda listelenen onaylı bir ataşmanı çalıştırmak üzere tasarlanmıştır. Makineyi kesinlikle başka bir amaçla kullanmayın.

GÜVENLİK TALİMATLARI

Genel talimatlar

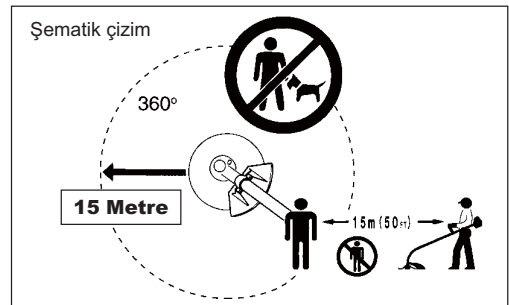
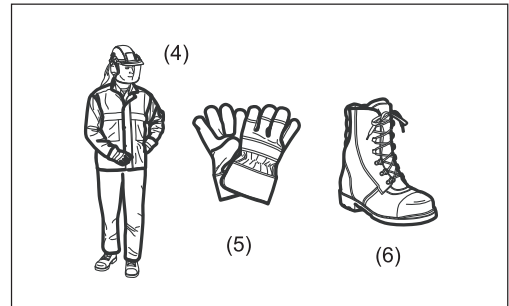
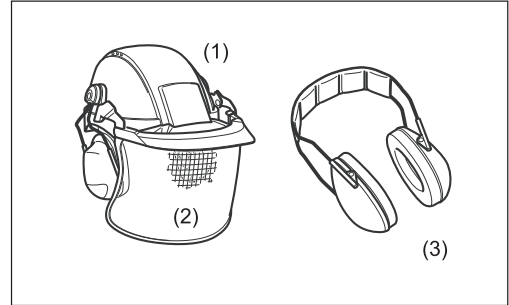
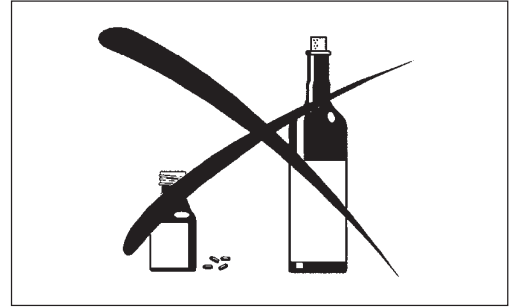
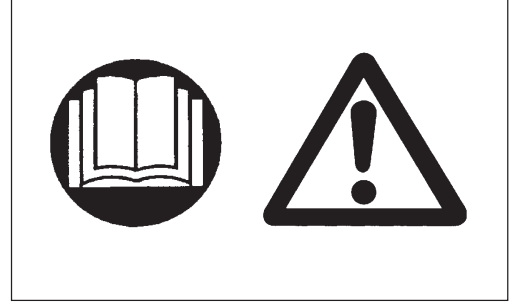
- Çok Fonksiyonlu Güç Başlığının özelliklerinin öğrenilebilmesi ve doğru çalıştırılabilmesi için kullanıcının bu kılavuzu dikkatlice okuması gerekir. Yetersiz bilgiye sahip kullanıcılar, yanlış kullanım neticesinde hem kendilerini, hem de başkalarını tehlikeye atarlar.
- Çok Fonksiyonlu Güç Başlığını yalnızca Çok Fonksiyonlu Güç Başlığının kullanımını konusunda deneyimli kişilere verin. Her zaman kullanım kılavuzunu da makineyle birlikte verin.
- Makineyi ilk defa kullanacaklar, motorlu bir kesicinin kullanılması konusunda temel bilgiler almak üzere satıcıya danışmalıdır.
- Çocukların ve 18 yaşından küçük gençlerin Çok Fonksiyonlu Güç Başlığını kullanmasına kesinlikle izin verilmemelidir. 16 yaşının üzerindeki gençler deneyimli bir eğitmenin gözetiminde yalnızca eğitim amacıyla makineyi kullanabilir.
- Çok Fonksiyonlu Güç Başlığını mutlaka çok dikkatli ve özenli bir şekilde kullanın.
- Çok Fonksiyonlu Güç Başlığını yalnızca fiziksel olarak iyi durumdayken çalıştırın. Tüm işlerinizi sakın ve dikkatli bir şekilde yürütün. Başkalarının sorumluluğu da kullanıcı üzerindedir.
- Çok Fonksiyonlu Güç Başlığını kesinlikle alkol veya uyuşturucu madde tükettikten sonra veya hasta veya yorgunken kullanmayın.
- Ulusal yönetmelikler bu makinenin kullanımını sınırlandırabilir.

Kişisel koruyucu ekipmanlar

- Kullanım sırasında giyilen kıyafetler işlevsel ve uygun olmalıdır, yani bol veya hareket kabiliyetini sınırlandıracak kadar dar olmamalıdır. Çalılara, fundalara ve makineye takılabileceğinden takı kullanmayın ve bol kıyafetler giymeyin.
- Baş, göz, el ve ayak yaralanmalarını önlemek ve kulaklarınızı korumak için, Çok Fonksiyonlu Güç Başlığının çalıştırılması sırasında aşağıdaki koruyucu ekipmanlar ve koruyucu kıyafetler kullanılmalıdır.
- Üzerinize bir şey düşme riski varsa mutlaka koruyucu baret takın. Koruyucu baret (1), olası hasarlara karşı düzenli aralıklarla kontrol edilmeli ve en geç 5 yılda bir değiştirilmelidir. Yalnızca onaylı koruyucu baretleri kullanın.
- Koruyucu baretin siperliği (2) (veya alternatif olarak koruyucu gözlükler) yüzünüzü sıçrayan yabancı madde ve taşlara karşı korur. Çok Fonksiyonlu Güç Başlığını çalıştırırken, göz yaralanmalarını önlemek için mutlaka koruyucu gözlük veya siperlik takın.
- Olası duyma bozukluklarını önlemek için koruyucu kulaklık (3), kulak tıkacı vs. gibi gürültüye karşı koruyucu ekipmanlar kullanın.
- Çalışma kıyafetleri (4) sıçrayan taş ve yabancı maddelere karşı koruma sağlar. Kullanıcının iş kıyafetleri giymesini şiddetle öneriyoruz.
- Kalın deriden imal edilen özel eldivenler (5) belirtilen koruyucu ekipmanların bir parçasıdır ve Çok Fonksiyonlu Güç Başlığının çalıştırılması sırasında mutlaka takılmalıdır.
- Çok Fonksiyonlu Güç Başlığını çalıştırırken mutlaka altı kaymayan sağlam ayakkabılar (6) giyin. Böylece, yere sağlam basabilir ve olası yaralanmaları önleyebilirsiniz.

Çok Fonksiyonlu Güç Başlığının Çalıştırılması

- Makineyi çalıştırırken yakında çocukların veya yetişkinlerin bulunmadığından emin olun ve ayrıca çalışma alanınız içerisindeki hayvanlara dikkat edin.
- Ataşmanın takılı olduğundan ve kontrol mandalının kolay çalıştığından emin olun ve kilit açma mandalının doğru çalışıp çalışmadığını kontrol edin.
- Rölanti hızda ataşmanın hareket etmesi kabul edilemez. Şüphelendiğiniz ayarlar hakkında satıcınıza danışın. Sapların temiz ve kuru olduğunu kontrol edin ve başlatma/durdurma düğmesinin çalışmasını test edin.

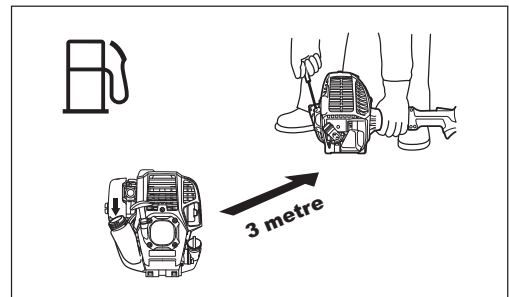
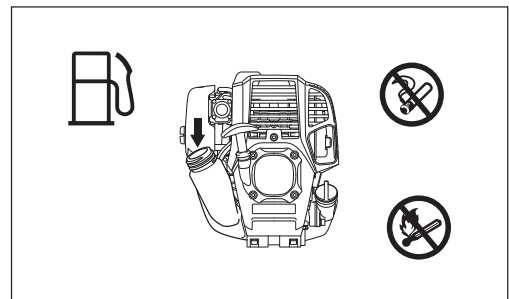
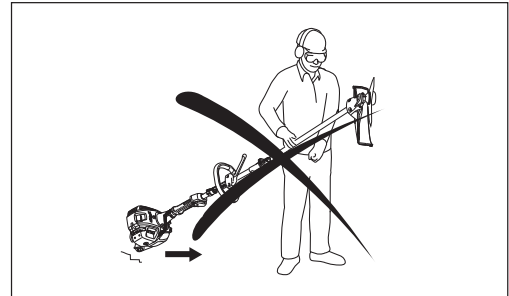
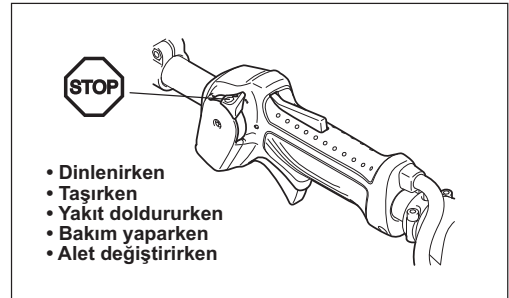
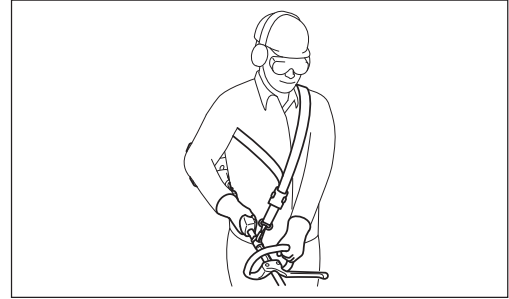
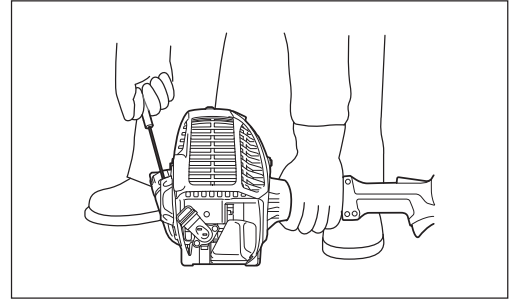


Çok Fonksiyonlu Güç Başlığını yalnızca bu kılavuzda belirtildiği şekilde çalıştırın.

- Motoru çalıştırmak için başka bir yöntem kullanmayın!
- Çok Fonksiyonlu Güç Başlığını ve ataşmanları yalnızca belirtilen uygulamalarda kullanın.
- Çok Fonksiyonlu Güç Başlığını yalnızca montaj ve kurulum işlemleri eksiksiz tamamlandıktan sonra çalıştırın. Makinenin çalıştırılmasına yalnızca tüm gerekli aksesuarlar takıldıktan sonra izin verilmelidir!
- Makineyi kullanmaya başlamadan önce, ataşmanın dal, taş vb. gibi sert cisimlere temas etmediğinden emin olun, aksi takdirde çalıştırma sırasında ataşman dönecektir.
- Herhangi bir motor probleminde motoru derhal durdurun.
- Ataşmanın taş veya benzeri sert bir cisme çarpması halinde, derhal motoru durdurun ve ataşmanı kontrol edin.
- Çok Fonksiyonlu Güç Başlığını yalnızca omuz askısı takılıyken çalıştırın. Çok Fonksiyonlu Güç Başlığı çalıştırılmadan önce omuz askısı doğru şekilde ayarlanmalıdır. Kullanım sırasında yorgunluğa veya ağrıya neden olmaması için omuz askısının kullanıcıya göre ayarlanması çok önemlidir. Kesinlikle kullanım sırasında tek elle tutmayın.
- Çalıştırma sırasında Çok Fonksiyonlu Güç Başlığını daima iki elinizle birden tutun.
Her zaman yere sağlam ve dengeli basın.
- Çok Fonksiyonlu Güç Başlığını egzoz gazlarını solumayacak şekilde çalıştırın. Makineyi kesinlikle kapalı ortamlarda çalıştırmayın (gaz zehirlenmesi riski). Karbon monoksit kokusuz bir gazdır.
- Dinlenirken ve Çok Fonksiyonlu Güç Başlığının yanından ayrılırken motoru kapalı konuma getirin ve insanlara zarar gelmemesi ve makinenin hasar görmemesi için makineyi güvenli bir yere koyun.
- Çok Fonksiyonlu Güç Başlığını kesinlikle kuru çimler veya tutuşabilir maddeler üzerinde bırakmayın.
- Makineyle birlikte verilen tüm koruyucu parçalar ve muhafazalar mutlaka çalıştırma sırasında kullanılmalıdır.
- Egzoz susturucusu arızalı makineleri kesinlikle çalıştırmayın.
- Taşımaya başlamadan önce motoru durdurun.
- Uzun bir mesafeye taşınacaksa, makineyle birlikte verilen korumaların kullanılması gerekir.
- Araçla taşırken, yakıt sızıntısına neden olmaması için Çok Fonksiyonlu Güç Başlığının araç içerisine güvenli şekilde yerleştirildiğinden emin olun.
- Çok Fonksiyonlu Güç Başlığını taşırken, yakıt deposunun tamamen boş olduğundan emin olun.
- Çok Fonksiyonlu Güç Başlığını kamyondan indirirken, makineyi kesinlikle yere bırakmayın; aksi takdirde yakıt deposu ciddi şekilde hasar görebilir.
- Acil durum haricinde Çok Fonksiyonlu Güç Başlığını kesinlikle yere bırakmayın veya atmayın; aksi takdirde Çok Fonksiyonlu Güç Başlığı ciddi şekilde hasar görebilir.
- Makineyi taşırken kesinlikle sürmemeniz gerektiğini unutmayın. Yakıt deposunun yere sürtünmesi çok tehlikelidir ve yakıt deposunun hasar görmesine, yakıt kaçağına ve hatta yangına yol açabilir.
- Makine ağır bir darbe alırsa veya düşerse, çalışmaya devam etmeden önce durumunu kontrol edin. Yakıt kaçağı olup olmadığını tespit etmek için yakıt sistemini ve arıza olup olmadığını tespit etmek için kontrol ve güvenlik cihazlarını kontrol edin. Herhangi bir hasar veya şüphelendiğiniz bir durum varsa, yetkili servis merkezimize kontrol ve onarım talebinde bulunun.

Yakıt Doldurma

- Yakıt doldurken motoru kapatın, makineyi açık alevlerden uzaklaştırın ve sigara içmeyin.
- Madeni yağ ürünlerinin cildinize temas etmesine izin vermeyin. Yakıt buharını solumayın. Yakıt doldurken daima koruyucu eldiven takın. Koruyucu kıyafetlerinizi düzenli aralıklarla değiştirin ve temizleyin.
- Toprağın kirlenmesini önlemek (çevreyi korumak) için yakıt veya yağ dökülmemesine dikkat edin. Yakıt dökülmesi halinde, Çok Fonksiyonlu Güç Başlığını derhal temizleyin.
- Yakıtın kıyafetlerinize bulaşmasına izin vermeyin. Yakıt dökülürse (kıyafetlerinizin tutuşmaması için) kıyafetlerinizi derhal değiştirin.
- Yakıt kapağının sağlam şekilde kapandığından ve yakıt kaçırmadığından emin olmak için düzenli aralıklarla kontrol edin.
- Yakıt deposu kapağını dikkatli bir şekilde sıkın. Motoru çalıştırmak için yerinizi değiştirin (yakıt doldurduğunuz yerden en az 3 metre uzağa gitmelisiniz).
- Kesinlikle kapalı odalarda yakıt doldurmayın. Yakıt buharı zemin seviyesinde birikebilir (patlama riski).
- Yakıtları yalnızca onaylı kaplarda taşıyın ve saklayın. Saklanan yakıtta çocukların erişemeyeceğinden emin olun.

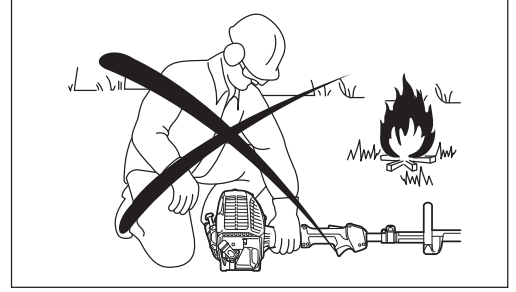


Çalıştırma yöntemi

- Çok Fonksiyonlu Güç Başlığıni yalnızca iyi aydınlatılan ve görüşün açık olduğu yerlerde kullanın. Kış mevsiminde kaygan veya ıslak alanlara, buz ve kara dikkat edin (kayma riski). Her zaman yere sağlam ve dengeli basın.
- Çok Fonksiyonlu Güç Başlığıni kesinlikle merdivene çıkararak çalıştırmayın.
- Çok Fonksiyonlu Güç Başlığıyla kesim yapmak için ağaca çıkmayın.
- Dengesiz zeminler üzerinde kesinlikle çalışmayın.
- Atışman kullanılmadan önce, atışman mutlaka tam çalışma hızına ulaşmalıdır.
- Yorgunluk nedeniyle kontrolünüzü kaybetmemek için düzenli olarak mola verin. Her saat başı 10 ila 20 dakika mola vermenizi öneririz.

Bakım talimatları

- Makinenizin servisinin daima yetkili servis merkezimizde yalnızca orijinal yedek parçalar kullanılarak yapılmasını sağlayın. Yanlış onarımlar ve bakım makinenin ömrünün kısalmasına ve kaza risklerinin artmasına yol açabilir.
- Çok Fonksiyonlu Güç Başlığıni mümkün olduğunca gürültüsüz ve temiz bir şekilde çalıştırın. Özellikle, karbüratör ayarının doğru olduğundan emin olun.
- Çok Fonksiyonlu Güç Başlığıni düzenli aralıklarla temizleyin ve tüm vida ve somunlarının sağlam şekilde sıkıldığından emin olun.
- Çok Fonksiyonlu Güç Başlığınin servisinin yapıldığı veya depolandığı yerin yakınında çıplak alev olmamasına dikkat edin.
- Çok Fonksiyonlu Güç Başlığıni daima yakıt deposu boşaltıldıktan sonra kilitli odalarda muhafaza edin.



İlgili ticaret birlikleri ve sigorta şirketleri tarafından belirtilen kaza önleme talimatlarını dikkate alın.

Güvenliğinizi tehlikeye atabileceğinden, Çok Fonksiyonlu Güç Başlığı üzerinde kesinlikle hiçbir değişiklik yapmayın.

Kullanıcı tarafından gerçekleştirilecek bakım veya onarım çalışmaları yalnızca bu kullanım kılavuzunda açıklanan işlemlerle sınırlıdır. Diğer tüm çalışmalar Yetkili Servis Personeli tarafından gerçekleştirilecektir. Yalnızca MAKITA tarafından üretilen ve tedarik edilen orijinal yedek parçaları ve aksesuarları kullanın.

Onaylanmamış aksesuar ve aletlerin kullanılması kaza riskini artırır.

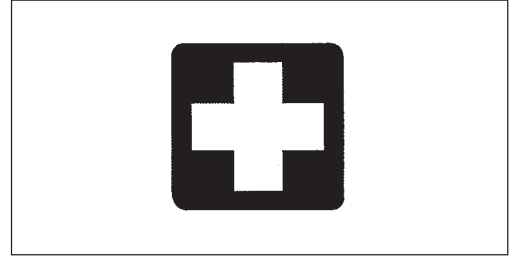
MAKITA, onaylanmamış atışmanların kullanımından ve cihaz, atışman veya aksesuarların takılmasından kaynaklanabilecek kaza ve hasarlardan dolayı sorumluluk kabul etmeyecektir.

İlk yardım

Bir kaza durumuna karşı ilk yardım çantasının kesim çalışmasının yapıldığı yere yakın olduğundan emin olun. İlk yardım kutusundan bir şey alındığında derhal yerine yenisini koyun.

Yardım isterken, lütfen şu bilgileri verin:

- Kazanın yeri
- Ne olduğu
- Yaralı kişi sayısı
- Yaralanma tipi
- Adınız



Titreşim

- Kan dolaşımı zayıf olan kişilerin aşırı titreşime maruz kalması, damarların veya sinir sisteminin zarar görmesine yol açabilir. Titreşim parmaklarda, ellerde ve bileklerde şu semptomlara neden olabilir: "Uyuşma" (hissizlik), karıncalanma, ağrı, batma hissi, cilt renginin veya cildin değişmesi. Bu semptomlardan herhangi biri ortaya çıkarsa, doktora başvurun!
- "Beyaz parmak hastalığı" riskini düşürmek için, çalışma sırasında ellerinizi sıcak tutun ve makine ve aksesuarların bakımını gerektiği şekilde gerçekleştirin.

AT UYGUNLUK BEYANI

Makita Corporation, sorumlu üretici firma olarak, Makita marka Makineler ile ilgili şu hususları beyan eder:

Makinenin Adı: Çok Fonksiyonlu Güç Başlığı
Model Numarası / Tipi: EX2650LH
Teknik Özellikler: bkz. "EX2650LH TEKNİK VERİLER" tablosu
seri üretimdir ve

Şu Avrupa Yönergelerine uygundur:

2000/14/EC, 2006/42/EC

Ve şu standartlara veya standartlaştırılmış belgelere uygun olarak üretilmiştir:
EN/ISO11806, EN709, EN/ISO10517, EN/ISO11680, EN/ISO12100

Teknik dokümanlar şu firma tarafından saklanmaktadır:

Makita International Europe Ltd., Technical Department,
Michigan Drive, Tongwell,
Milton Keynes, Bucks MK15 8JD, İngiltere

2000/14/EC sayılı Direktif tarafından istenen uygunluk değerlendirme prosedürü, Ek V'e uygundur.

EM400MP (Fırçalı Kesici Ataşmanı) ile EX2650LH

Ölçülen Ses Gücü Düzeyi: 108,5 dB (A)

Garanti Edilen Ses Gücü Düzeyi: 113 dB (A)

EM401MP (Fırçalı Kesici Ataşmanı) ile EX2650LH

Ölçülen Ses Gücü Düzeyi: 102,7 dB (A)

Garanti Edilen Ses Gücü Düzeyi: 105 dB (A)

ER400MP (Misinalı Yan Tırpan Ataşmanı) ile EX2650LH

Ölçülen Ses Gücü Düzeyi: 109,2 dB (A)

Garanti Edilen Ses Gücü Düzeyi: 116 dB (A)

EN400MP (Çit Budama Ataşmanı) ile EX2650LH

Ölçülen Ses Gücü Düzeyi: 103,8 dB (A)

Garanti Edilen Ses Gücü Düzeyi: 109 dB (A)

EN400MP (Çit Budama Ataşmanı) ve LE400MP (Şaft uzatma ataşmanı) ile EX2650LH

Ölçülen Ses Gücü Düzeyi: 104,0 dB (A)

Garanti Edilen Ses Gücü Düzeyi: 106 dB (A)

EY400MP, EY401MP ve LE400MP uzatmalı testere olarak AT Tip Muayene Sertifikası Numarası:
4811004.11016

2006/42/EC uyarınca AT Tip Muayenesi şu kurum tarafından gerçekleştirilmiştir:

DEKRA Testing and Certification GmbH
Enderstraße 92b
01277 Dresden, Almanya
Tanım Numarası 2140

30. 1. 2012



Tomoyasu Kato
Müdür
Makita Corporation
3-11-8, Sumiyoshi-cho,
Anjo, Aichi, 446-8502, JAPAN

EX2650LH TEKNİK VERİLER

Model	EX2650LH	
	Yuvarlak saplı	
Boyutlar: uzunluk x genişlik x yükseklik (kesme bıçağı olmadan) (bariyerli)	mm	975 x 323 x 241
Boyutlar: uzunluk x genişlik x yükseklik (kesme bıçağı olmadan) (bariyersiz)	mm	975 x 242 x 241
Ağırlık (plastik muhafaza ve kesme bıçağı olmadan)	kg	4,6
Hacim (yakıt deposu)	L	0,6
Hacim (yağ haznesi)	L	0,08
Motor hacmi	cm ³	25,4
Maksimum motor performansı	kw	7.000 dak ⁻¹ 'de 0,77
Önerilen maks. mil hızında motor devri	dak ⁻¹	8.500
Maksimum mil hızı	dak ⁻¹	6.500
Maksimum yakıt tüketimi	kg/sa	0,33
Maksimum özgül yakıt tüketimi	g/kwh	408
Rölanti hızı	dak ⁻¹	3.000
Kavrama hızı	dak ⁻¹	3.900
Karbüratör	tipi	WALBRO WYL
Ateşleme sistemi	tipi	Katı fazda ateşleme
Buji	tipi	NGK CMR4A
Elektrot boşluğu	mm	0,7 - 0,8
Yakıt	Otomobil yakıtı	
Motor yağı	API Sınıfı SAE 10W-30 SF Sınıfı ve üzeri (4 zamanlı otomobil motoru)	

Titreşim

Ataşman	Sağ sap (Arka kavrama)		Sol sap (Ön kavrama)		İlgili standartlar
	a _{hv eş} (m/sn ²)	Belirsizlik (K) (m/sn ²)	a _{hv eş} (m/sn ²)	Belirsizlik (K) (m/sn ²)	
EM400MP	6,5	1,2	5,9	1,8	ISO 22867
EM401MP	5,6	2,1	4,8	1,0	ISO 22867
ER400MP	7,1	2,8	5,5	2,7	ISO 22867
EY400MP	9,4	2,0	4,2	2,0	ISO 22867
EY400MP + LE400MP	4,8	2,0	3,4	2,0	ISO 22867
EY401MP	6,5	2,0	3,8	2,0	ISO 22867
EY401MP + LE400MP	5,6	2,0	3,4	2,0	ISO 22867
EN400MP	8,4	1,8	5,0	0,7	ISO 10517
EN400MP + LE400MP	8,0	1,7	4,3	0,7	ISO 10517
KR400MP	5	1,1	4,4	2,3	ISO 22867
EJ400MP	7,1	1,5	4,9	1,5	ISO 22867
EJ400MP + LE400MP	6,4	0,6	4,0	0,7	ISO 22867

Gürültü

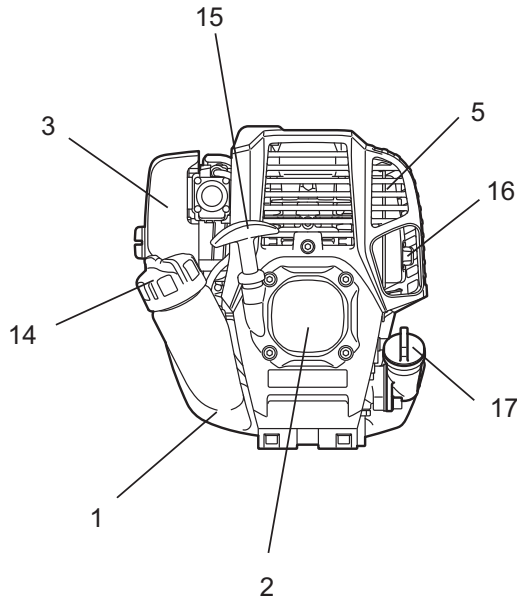
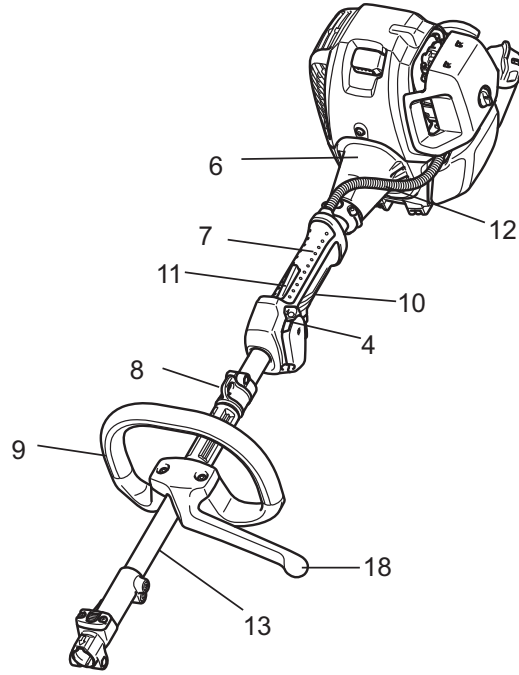
Ataşman	Ortalama ses basıncı seviyesi		Ortalama ses gücü seviyesi		İlgili standartlar
	$L_{PA_{eş}}$	Belirsizlik (K)	$L_{WA_{eş}}$	Belirsizlik (K)	
EM400MP	95,0	4,4	105,5	3,3	ISO 22868
EM401MP	89,9	3,6	99,7	2,7	ISO 22868
ER400MP	97,9	4,2	106,2	4,0	ISO 22868
EY400MP	93,0	2,5	104,5	2,5	ISO 22868
EY400MP + LE400MP	90,3	2,5	107,8	2,5	ISO 22868
EY401MP	92,6	2,5	104,7	2,5	ISO 22868
EY401MP + LE400MP	90,5	2,5	107,9	2,5	ISO 22868
EN400MP	93,1	4,4	102,9	4,8	ISO 10517
EN400MP + LE400MP	87,8	1,9	103,0	2,0	ISO 10517
KR400MP	93,7	2,6	99,7	1,2	ISO 22868
EJ400MP	89,0	2,3	99,8	1,1	ISO 22868
EJ400MP + LE400MP	88,1	2,2	100,8	2,3	ISO 22868

ONAYLANAN ATAŞMANLAR

ATAŞMANLAR	Modeller
Fırçalı Kesici Ataşmanı	EM400MP, EM401MP
Misinalı Yan Tırpan Ataşmanı	ER400MP
Uzatmalı Testere Ataşmanı	EY400MP, EY401MP
Çit Budama Ataşmanı	EN400MP
Kültivatör Ataşmanı	KR400MP
Kahve hasat ataşmanı	EJ400MP
Şaft uzatma ataşmanı	LE400MP

PARÇALARIN GÖSTERİMİ

EX2650LH



TR	PARÇALARIN GÖSTERİMİ
1	Yakıt deposu
2	Geri sarmalı marş
3	Hava temizleyici
4	Açma/kapama düğmesi (açık/kapalı)
5	Egzoz susturucusu
6	Kavrama kutusu
7	Arka kavrama
8	Kanca
9	Sap
10	Kısma mandalı
11	Kilit açma mandalı
12	Kontrol kablosu
13	Şaft
14	Yakıt doldurma kapağı
15	Marş kolu
16	Egzoz borusu
17	Yağ kapağı
18	Bariyer*

Not: Bazı ülkelerde bariyer, makineyle birlikte verilmez.

SAPIN TAKILMASI

DİKKAT: Çok Fonksiyonlu Güç Başlığı üzerinde herhangi bir çalışma yapmadan önce, daima motoru durdurun ve buji konektörünü bujiden çıkartın. Daima koruyucu eldiven takın!

DİKKAT: Çok Fonksiyonlu Güç Başlığını yalnızca montajı eksiksiz şekilde tamamlandıktan sonra çalıştırın.

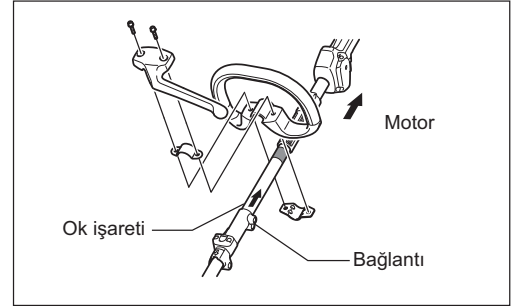


Yuvarlak sapın takılması

- Bariyeri ve kavramayı iki vida ve kelepçeler yardımıyla şaft borusuna sağlam şekilde sabitleyin. Bariyeri, şekilde gösterildiği gibi makinenin sol tarafına takın.
- Kavrama/bariyer tertibatının, ara parça ile ok işareti arasına geldiğinden emin olun. Ara parçayı çıkarmayın veya sıkıştırmayın.
- Monte edildikten sonra, bariyeri çıkarmayın.

DİKKAT: Kavramayı kesinlikle etiket veya bağlantı üzerine takmayın.

Not: Bazı ülkelerde bariyer ve ok işareti, makineyle birlikte verilmez.



ATAŞMANIN TAKILMASI

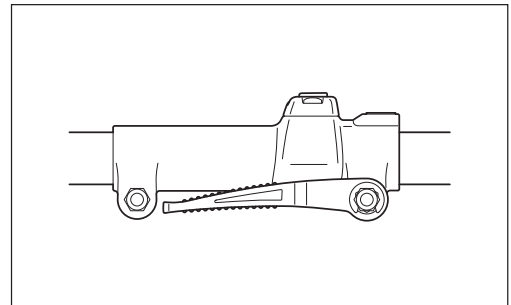
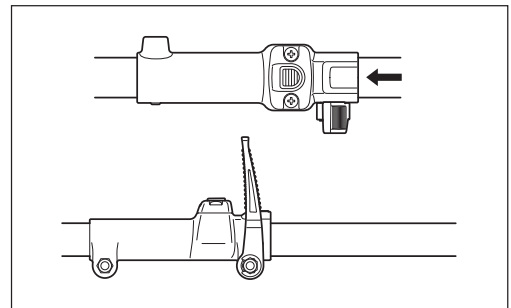
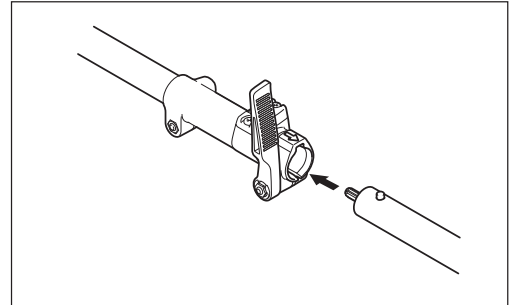
DİKKAT: Çok Fonksiyonlu Güç Başlığı üzerinde herhangi bir çalışma yapmadan önce, daima motoru durdurun ve buji konektörünü bujiden çıkartın. Daima koruyucu eldiven takın!

DİKKAT: Çok Fonksiyonlu Güç Başlığını yalnızca montajı eksiksiz şekilde tamamlandıktan sonra çalıştırın.



Montaj

- Mandalı gevşetin.
- Ataşman pimini bağlantı yuvasıyla aynı hizaya getirin ve pimi yerleştirin.
- Ataşmanı ok yönünde yukarı doğru iterek takın. Ardından, düğmenin yukarı kalktığını kontrol edin.
- Mandalı sıkın.
(Bilgi için sağdaki şekle bakın.)

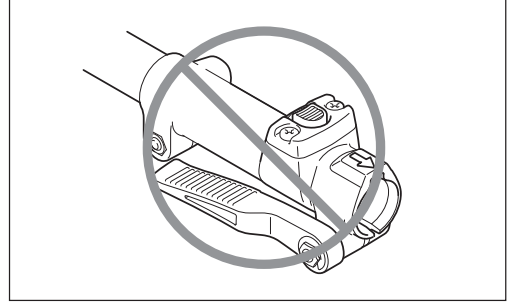
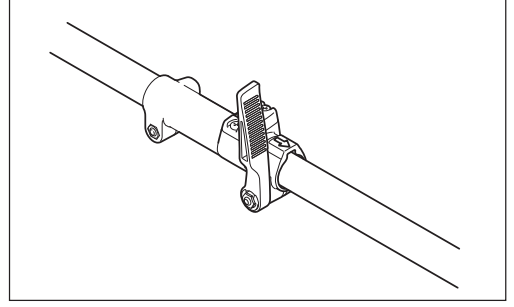


SÖKÜM

- Mandalı gevşetin.
- Düğmeye basın ve ataşmanı çıkartın.
(Mümkün olduğunca ataşmanı düz bir şekilde çıkartmaya çalışın.)

Not:

- Ataşman takılı değilken, mandalı kapalı konumda bırakmayın.



ÇALIŞMAYA BAŞLAMADAN ÖNCE

Motor yağının kontrolü ve doldurulması

- Aşağıdaki prosedürü motor soğuduktan sonra uygulayın.
- Motoru düz şekilde yerleştirin, yağ kapağını çıkartın (Şekil 1) ve mevcut yağın yağ borusunun üst sınır ile alt sınır çizgileri arasındaki bölgede olup olmadığını kontrol edin (Şekil 2).
- Yağ yetersizse (yağ seviyesi alt sınır çizgisine yakınsa), yağ ilave edin (Şekil 3).
- Dış çizgilerin etrafındaki alan şeffaftır, bu nedenle içerideki yağ miktarı yağ kapağının çıkartılmasına gerek kalmaksızın dışarıdan kontrol edilebilir. Ancak, yağ borusu çok kirlendiğinde görüş kaybolabilir; bu durumda yağ seviyesinin yağ borusunun içerisindeki kademeli bölümden kontrol edilmesi gerekir.
- Referans olarak, yağ doldurma süresi yaklaşık 10 saat (her 10 yakıt doldurmada bir) olarak düşünülebilir. Yağın rengi değişir veya içerisine pislik karışırsa, yağı tamamen değiştirin. (Yağ değiştirme sıklığı ve yöntemi için, bkz. sayfa 206)

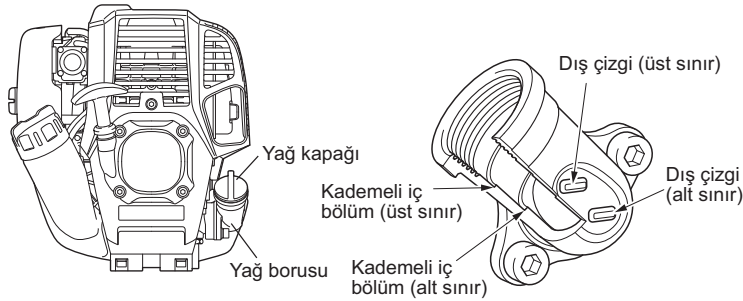
Önerilen yağ: API Sınıfı SAE 10W-30, SF Sınıfı ve üzeri (4 zamanlı otomobil motoru)

Yağ hacmi: Yaklaşık 0,08 l

Not: Motor düz tutulmazsa, yağ motor etrafına girebilir ve bu da gereğinden fazla yağ doldurulmasına neden olabilir. Üst sınırın üzerinde yağ doldurulursa, yağ kirlenebilir veya beyaz bir duman çıkartarak yanabilir.

Yağ değişimiyle ilgili uyarı 1: “Yağ kapağı”

- Yağ doldurma deliğinin etrafındaki tozları ve kirleri temizleyin ve yağ kapağını çıkartın.
- Çıkarılan yağ kapağına kum veya toz bulaşmasına izin vermeyin. Aksi takdirde, yağ kapağına bulaşan kum veya toz düzensiz yağ sirkülasyonuna veya motor parçalarında aşınmaya ve neticesinde arızalara yol açabilir.

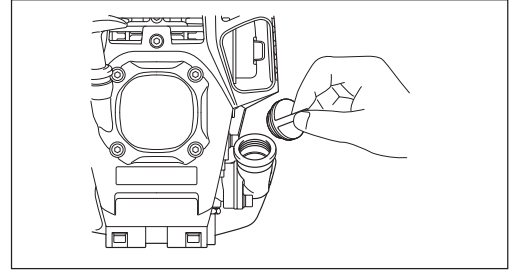


Şekil 1

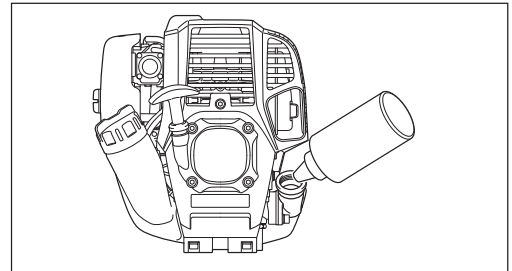
Şekil 2 Yağ borusu

Şekil 3

- (1) Motoru düz tutun ve yağ kapağını çıkartın.



- (2) Üst sınır çizgisine kadar yağ doldurun. (bkz. Şekil 3) Doldurma işlemi sırasında yağ şişesi kullanın.



- (3) Yağ kapağını sağlam şekilde sıkın. Yeterince sıkılmaması, yağ kaçağına neden olabilir.

Not

- Motordaki yağı yatık bir konumda değiştirmeyin.
- Motor yatık vaziyetteyken yağ doldurulması, aşırı yağ olmasına ve neticesine yağ kirlenmesine ve/veya beyaz dumana yol açabilir.

Yağ değişimiyle ilgili uyarı 2: “Yağ dökülürse”

- Yakıt deposu ile motor ana ünitesi arasına yağ dökülürse yağ, soğutma havası giriş portuna çekilerek motorun kirlenmesine neden olur. Çalıştırmadan önce dökülen yağın temizlendiğinden emin olun.

YAKIT DOLDURMA

Yakıtın taşınması

Yakıtın mutlaka çok dikkatli bir şekilde taşınması gerekir. Yakıtlar, çözücülere benzer maddeler içerebilir. Yakıt doldurma işlemi mutlaka yeterince havalandırılan bir odada veya açık havada gerçekleştirilmelidir. Yakıt buharını kesinlikle solumayın ve yakıtı kendinizden uzakta tutun. Yakıtta sürekli veya uzun bir süre temas ederseniz, cildiniz kuruyabilir ve neticesinde cilt hastalıkları veya alerjisi meydana gelebilir. Yakıt gözünüze kaçarsa, gözünüzü temiz suyla yıkayın. Gözünüzdeki tahrişin devam etmesi halinde, doktora başvurun.

Yakıt depolama süresi

İyi havalandırılan ve doğrudan güneş görmeyen bir yerde özel bir kapta saklansa bile yakıtın 4 hafta içerisinde tüketilmesi gerekir. Özel bir kap kullanılmıyorsa veya kap kapalı tutulmuysa, yakıt bir günde dahi bozulabilir.

MAKİNENİN MUHAFAZASI VE DEPONUN DOLDURULMASI

- Makineyi ve depoyu doğrudan güneş ışığı almayan, serin bir yerde muhafaza edin.
- Yakıtı kesinlikle araç içerisinde veya bagajda bırakmayın.

Yakıt

Makinede dört zamanlı bir motor bulunur. Otomobil benzini (normal benzin veya süper benzin) kullanıldığından emin olun.

Yakıtla ilgili uyarılar

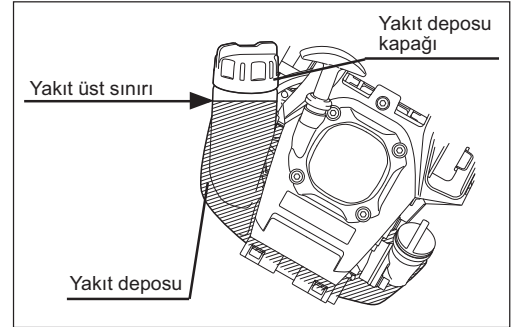
- Kesinlikle motor yağı içeren benzin karışımları kullanmayın. Aksi takdirde, aşırı karbon birikimi veya mekanik hasarlar meydana gelebilir.
- Bozulmuş yakıt kullanılması, çalışma sorunlarına yol açabilir.

Yakıt doldurma

UYARI: TUTUŞABİLİR MADDELERİN KULLANILMASI KESİNLİKLE YASAKTIR.

Kullanılacak benzin: Otomobil benzini (kurşunsuz benzin)

- Depo kapağını atmosfer basıncında hiçbir değişiklik olmayacak şekilde bir miktar gevşetin.
- Depo kapağını çıkartın ve yakıt doldurun. Bu işlem sırasında yakıt doldurma deliği yukarı bakacak şekilde yakıt deposunu eğerek depo içerisinde havanın boşalmasını sağlayın. (Kesinlikle doldurma deliğinin ağzına kadar yakıt doldurmayın.)
- Yabancı maddelerin yakıt deposuna girmesini önlemek için, depo kapağının çevresini iyice temizleyin.
- Yakıt doldurduktan sonra, depo kapağını sıkıca kapatın.
- Depo kapağında kusur veya hasar varsa, değiştirin.
- Depo kapağının bir sarf malzemedir ve bu nedenle her iki ila üç yılda bir değiştirilmelidir.



MAKİNEİNİN DOĞRU TAŞINMASI VE TUTULMASI

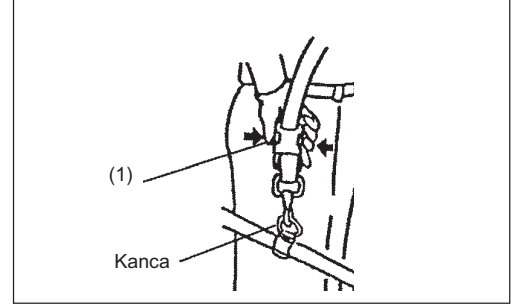
Omuz askısının takılması

- Askıyı rahat çalışmanız için uygun bir uzunluğa ayarlayın.

Söküm

- Acil bir durumda kenarlardaki tırnaklara (1) bastırarak makineyi üzerinizden çıkartabilirsiniz.
Bu sırada makineyi kontrol altında tutmaya dikkat edin. Makinenin size veya çevredeki insanlara doğru savrulmasına izin vermeyin.

UYARI: Makinenin tam olarak kontrol edilememesi halinde, ciddi yaralanmalar ve hatta ÖLÜMLÜ kazalar meydana gelebilir.



ÇALIŞTIRMA VE DURDURMAYLA İLGİLİ UYARILAR

İlgili kaza önleme yönetmeliklerini dikkate alın!

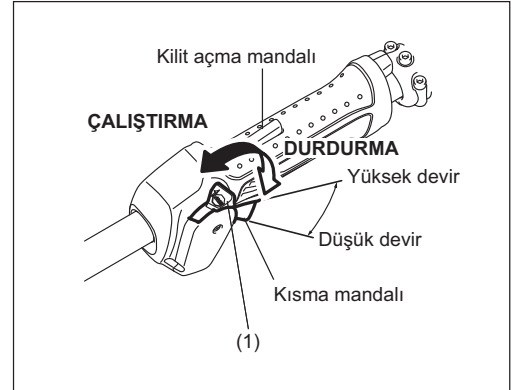


ÇALIŞTIRMA

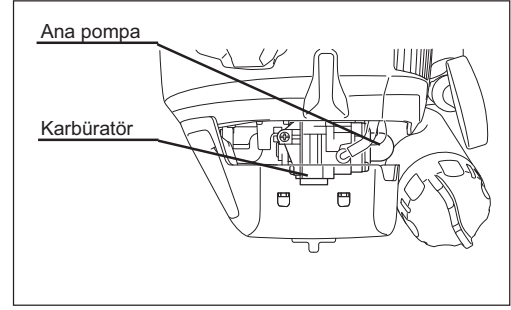
Makineyi yakıt doldurduğunuz yerden en az 3 metre uzağa taşıyın. Çok Fonksiyonlu Güç Başlığını, ataşmanın zemine veya diğer cisimlerle temas etmediğinden emin olarak temiz bir zemin üzerine yerleştirin.

A: Soğuk çalıştırma

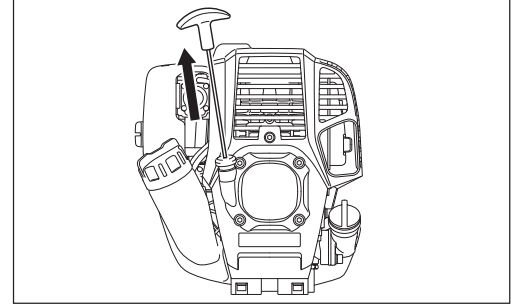
- 1) Makineyi düz bir zemin üzerine yerleştirin.
- 2) Açma/kapama düğmesini (1) ÇALIŞTIRMA konumuna getirin.



- 3) Ana pompa
Yakıt ana pompaya girene kadar ana pompaya bastırmaya devam edin.
(Genel olarak yakıt, ana pompaya 7 ila 10 defa basıldıığında ana pompaya girer.)
Ana pompaya çok fazla basılırsa, fazla benzin yakıt deposuna geri döner.



- 4) Geri sarmalı marş
Marş kolunu gerilim hissedilene (sıkışma noktasına) kadar yavaşça çekin.
Ardından, marş kolunu bırakın ve güçlü bir şekilde çekin.
İpi kesinlikle sonuna kadar çekmeyin. Marş kolu çekildikten sonra, marş kolunu hemen bırakmayın. Marş kolu başlangıçtaki konumuna dönene kadar bekleyin.
- 5) Isıtma çalıştırması
Isıtma çalıştırmasını 2 ila 3 dakika boyunca sürdürün.



Not: Aşırı yakıt çekilmesi durumunda, bujiyi çıkartın ve aşırı yakıtı boşaltmak için marş kolunu yavaşça çekin. Ayrıca, bujinin elektrot bölümünü kurutun.

Çalıştırma sırasında dikkat edin:

Yüksek çalıştırma sırasında kısma mandalı tam açıksa, motor devri 10.000 dak⁻¹ ve üzeri olacaktır. Motoru kesinlikle gerekenden daha yüksek bir devirde ve yaklaşık 6.000 - 8.500 dak⁻¹ devrinde kesinlikle çalıştırmayın.

B: Isıtma çalıştırması sonrası başlatma

- 1) Ana pompaya arka arkaya bastırın.
- 2) Kısma mandalını rölanti konumunda tutun.
- 3) Geri sarmalı marşı güçlü bir şekilde çekin.
- 4) Motor zor çalışıyorsa, kısma mandalını yaklaşık 1/3 oranında açın.
Ataşmanın dönebileceğine dikkat edin.

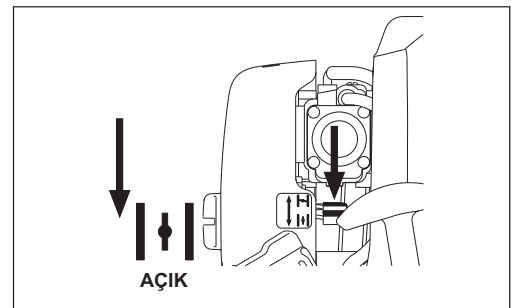
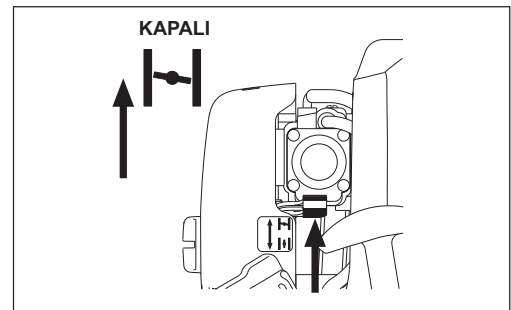
Örneğin kış aylarında vb. motorun çalışması zorlaşırsa

Motoru çalıştırırken jikle kolunu aşağıdaki prosedürü takip ederek çalıştırın.

- 1) ila 3) arasındaki işlemleri uyguladıktan sonra, jikle kolunu KAPALI konuma getirin.
- 4) no.lu çalıştırma adımını uygulayın ve motoru çalıştırın.
- Motor çalıştıktan sonra, jikle kolunu AÇIK konuma getirin.
- 5) no.lu çalıştırma adımını uygulayın ve motoru çalıştırın.

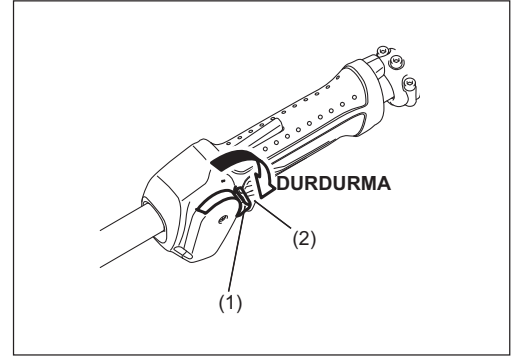
DİKKAT: Bir ses (patlama sesi) duyulur ve motor durursa veya henüz çalışmaya başlayan motor jikle kolu çekilmeden durursa, jikle kolunu tekrar AÇIK konuma getirin ve motoru tekrar çalıştırmak için marş kolunu birkaç defa çekin.

DİKKAT: Jikle kolu KAPALI konumda bırakılırsa ve marj kolu arka arkaya çok fazla çekilirse, çok fazla yakıt emilir ve motorun çalışması zorlaşır.



DURDURMA

- 1) Kısmi mandalını (2) tam olarak açın ve motor dev/dak değeri düştüğünde açma/kapama düğmesini DURDURMA konumuna getirin; motor derhal duracaktır.
- 2) Aşağıdaki hemen durmayabileceğine dikkat edin ve tamamen yavaşlaması için bekleyin.

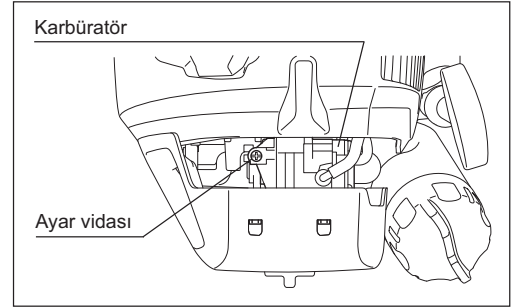


DÜŞÜK DEVİRLİ DÖNÜŞ (RÖLANTİ) AYARI

Düşük devirli dönüş (rölanti) ayarı yapılması gerekiyorsa, bu işlemi karbüratör ayar vidasıyla gerçekleştirin.

DÜŞÜK DEVİRLİ DÖNÜŞ KONTROLÜ

- Düşük devirli dönüşü 3.000 dak^{-1} değerine ayarlayın. Dönüş hızının değiştirilmesi gerekirse, yıldız uçlu bir tornavidayla ayar vidasıyla oynayın (sağda gösterilmiştir).
- Ayar vidasını sağa çevirdiğinizde, motor dönüş hızı artacaktır. Ayar vidasını sola çevirdiğinizde ise motor dönüş hızı düşecektir.
- Karbüratör genellikle fabrika çıkışında ayarlanır. Yeniden ayarlanması gerekiyorsa, lütfen Yetkili Servis Personeline danışın.



SERVİS TALİMATLARI

DİKKAT: Çok Fonksiyonlu Güç Başlığı üzerinde herhangi bir çalışma yapmadan önce, daima motoru durdurun ve buji konektörünü bujiden çıkartın (bkz. "bujinin kontrolü").
Daima koruyucu eldiven kullanın!
Kesinlikle gazolin, benzin, tiner, alkol veya benzeri bir madde kullanmayın. Aksi takdirde renk bozulması, deformasyon veya çatlaklar meydana gelebilir.

Makinenin uzun ömürlü olması ve olası hasarların önlenmesi için, düzenli aralıklarla aşağıda açıklanan servis çalışmaları gerçekleştirilmelidir.

Günlük kontrol ve bakımlar

- Çalışmaya başlamadan önce, makinede gevşek vida veya eksik parça olup olmadığını kontrol edin. Belirtilen ataşmanın yerine tam ve güvenli şekilde takılmasına özellikle dikkat edin.
- Çalıştırmadan önce mutlaka soğutma havası geçişinin ve silindir açıklıklarının tıkalı olup olmadığını kontrol edin. Gerekirse, bu parçaları temizleyin.
- Aşağıdaki işlemleri her gün kullanımdan sonra gerçekleştirin:
 - Çok Fonksiyonlu Güç Başlığının dış kısmını temizleyin ve hasar olup olmadığını kontrol edin.
 - Hava filtresini temizleyin. Aşırı tozlu ortamlarda çalışıyorsanız, filtreyi günde birkaç defa temizleyin.
 - Motor rölantide çalışırken ataşmanın sabit duracağından emin olmak için, rölanti hızı ile kavrama hızı arasında yeterli farkın olup olmadığını kontrol edin (gerekirse, rölanti hızını düşürün).
Rölanti koşullarında ataşman dönmeye devam ediyorsa, en yakın Yetkili Servis Personeline danışın.
- Açma/kapama düğmesinin, kilit açma mandalının ve kontrol mandalının doğru çalıştığını kontrol edin.

MOTOR YAĞININ DEĞİŞTİRİLMESİ

Bozulmuş motor yağı kullanılması, kayar ve döner parçaların ömrünü ciddi şekilde kısaltır. Değiştirme aralıklarını ve miktarını kontrol ettiğinizden emin olun.



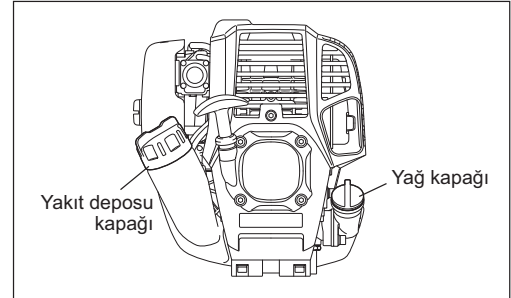
DİKKAT: Genel olarak, motor durduktan hemen sonra motor ana ünitesi ve motor yağı hala sıcaktır. Yağ değiştirilirken, motor ana ünitesinin ve motor yağının yeterince soğuduğundan emin olun. Aksi takdirde, yanık riski ortaya çıkabilir.

Not: Yağ üst sınırın üzerinde doldurulursa, kirlenebilir veya beyaz bir duman çıkartarak yanabilir.

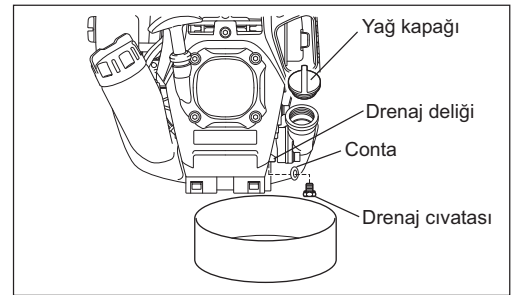
Değiştirme aralığı: Başlangıçta her 20 çalışma saatinin sonunda ve daha sonra her 50 çalışma saatinin sonunda değiştirilmelidir
Önerilen yağ: API Sınıfı SAE10W-30 yağ, SF Sınıfı ve üzeri (4 zamanlı otomobil motor yağı)

Yağ değiştirirken aşağıdaki prosedürü takip edin.

- 1) Yakıt deposu kapağının sıkı bir şekilde kapalı olduğunu kontrol edin.
- 2) Drenaj deliğinin altına geniş bir kap (tava vb.) yerleştirin.

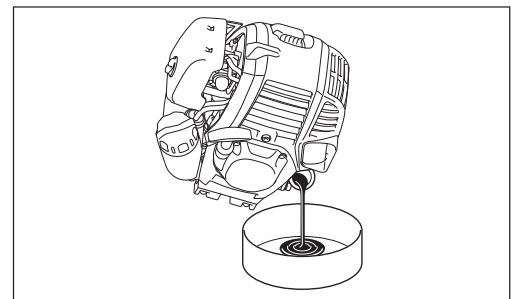


- 3) Drenaj civatasını sökün ve ardından yağı drenaj deliğinden boşaltmak için yağ kapağını çıkartın.
Bu sırada drenaj civatası contasını kaybetmeyin ve çıkartılan parçaların hiçbirinin kirlenmesine izin vermeyin.
- 4) Tüm yağ boşaltıldıktan sonra contayı ve drenaj civatasını birleştirin ve drenaj civatasını gevşemeyecek ve kaçacağı şekilde sıkın.
* Civataya ve makineye yapışan yağı bir bezle iyice temizleyin.

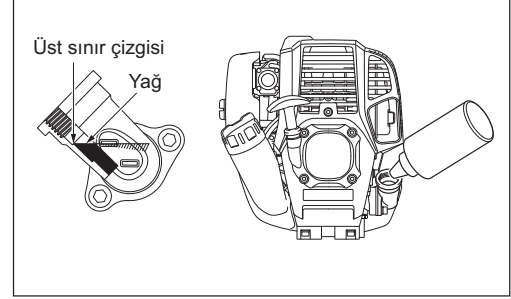
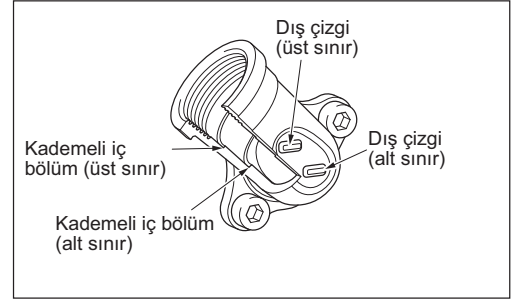


Alternatif drenaj yöntemi

Yağ kapağını çıkartın, Çok Fonksiyonlu Güç Başlığını yağ doldurma deliğine doğru yatırın ve yağı boşaltın.
Yağı kaptan toplayın.



- 5) Motoru düz şekilde yerleştirin ve üst sınır çizgisine kadar kademeli olarak yeni yağ doldurun.
- 6) Doldurma işlemi tamamlandıktan sonra, yağ kapağını gevşemeyecek ve kaçağa neden olmayacak şekilde sağlamca sıkın. Yağ kapağı sağlam sıkılmazsa, kaçak meydana gelebilir.



YAĞLA İLGİLİ UYARILAR

- Boşaltılan motor yağını kesinlikle çöpe, toprağa veya kanalizasyon giderine dökmeyin. Yağın bertarafı ilgili kanunlara uygun şekilde gerçekleştirilmelidir. Yağın bertarafı için daima ilgili kanun ve yönetmeliklere riayet edin. Bilinmeyen hususlarla ilgili olarak daima Yetkili Servis Personeline danışın.
- Kullanılmadan saklansa dahi yağ zamanla bozulur. Düzenli aralıklarla yağı kontrol edin ve değiştirin (her 6 ayda bir yeni yağla değiştirin).

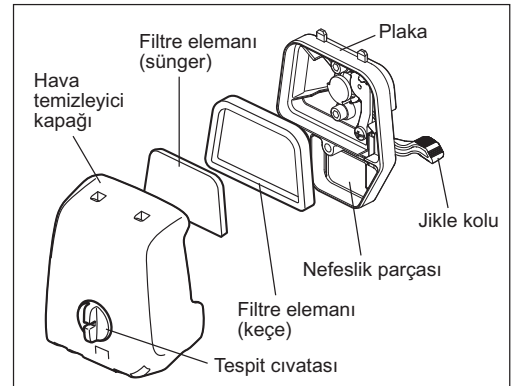
HAVA TEMİZLEYİCİSİNİN TEMİZLENMESİ



TEHLİKE: TUTUŞABİLİR MADDELERİN KULLANILMASI KESİNLİKLE YASAKTIR

Temizlik ve kontrol aralığı: Günlük (her 10 çalışma saatinin sonunda)

- Jikle kolunu tamamen kapalı konuma çevirin ve karbüratördeki toz ve pislikleri temizleyin.
- Tespit civatasını gevşetin.
- Alt tarafından çekerek hava temizleyici kapağını çıkartın.
- Filtre elemanlarını çıkartın ve kirlerini temizlemek için hafifçe vurun.
- Filtre elemanları aşırı kirlenmişse:
Filtre elemanlarını çıkartın, sıcak suya veya suyla seyreltilmiş doğal deterjana batırın ve tamamen kurutun. Filtre elemanlarını yıkarken sıkmayın veya ovalamayın.
- Filtre elemanlarını takmadan önce, tamamen kurduğundan emin olun. Filtre elemanlarının yeteri kadar kurumaması, makinenin başlatılmasını zorlaştırabilir.
- Hava temizleyici kapağının ve nefeslik parçasının etrafına yapışan yağı bir bez parçasıyla temizleyin.
- Filtre elemanını (sünger) yuvasına (keçe) takın. Elemanları sünger, hava temizleyici kapağına bakacak şekilde plakaya yerleştirin.
- Hemen ardından, temizleyici kapağını yerine takın ve tespit civatalarıyla sıkın. (Geri monte ederken, öncelikle üst tırnağı ve ardından alt tırnağı takın.)



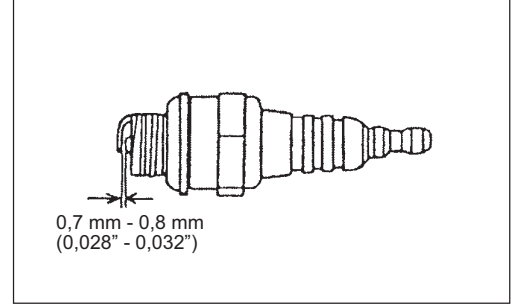
İKAZ:

- Aşırı miktarda toz yapıyorsa, filtre elemanlarını günde birkaç defa temizleyin. Kirli filtre elemanları, motor gücünün düşmesine ve motorun daha zor çalıştırılmasına neden olur.
- Filtre elemanlarındaki yağı temizleyin. Filtre elemanları üzerindeki yağ temizlenmeden çalışmaya devam edilirse, hava temizleyicideki yağ dışarı akarak, çevre kirliliğine yol açabilir.
- Filtre elemanlarını yere veya kirliliğe koymayın. Aksi takdirde, üzerine toz veya pislik yapışarak, motorun hasar görmesine neden olabilir.
- Filtre elemanlarını temizlemek için kesinlikle yakıt kullanmayın. Yakıt kullanımı, filtre elemanlarına zarar verir.

BUJİNİN KONTROLÜ

- Bujiyi sökmek ve takmak için yalnızca ürünle birlikte verilen standart anahtar kullanın.
- Bujinin iki elektrotu arasındaki boşluk 0,7 ila 0,8 mm (0,028" ila 0,032") olmalıdır. Boşluk çok geniş veya dar olursa, ayarlayın. Buji tıkanırsa veya kirlenirse, iyice temizleyin veya değiştirin.

DİKKAT: Motor çalışırken buji konektörüne kesinlikle dokunmayın (yüksek gerilimde elektrik çarpması tehlikesi).



YAKIT FİLTRESİNİN TEMİZLENMESİ

UYARI: TUTUŞABİLİR MADDELERİN KULLANILMASI KESİNLİKLE YASAKTIR

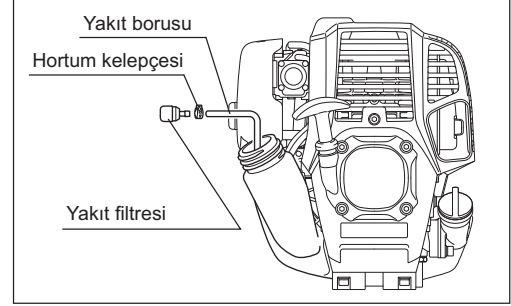
Temizlik ve kontrol aralığı: Aylık (her 50 çalışma saatinin sonunda)

Yakıt deposundaki emiş başlığı

Yakıt filtresini düzenli olarak kontrol edin. Yakıt filtresini kontrol etmek için, aşağıdaki adımları takip edin.

- (1) Yakıt deposu kapağını çıkartın ve kalan yakıtı tahliye ederek depoyu boşaltın. Depo içerisinde yabancı madde olmadığını kontrol edin. Varsa, temizleyin.
- (2) Depo açıklığından bir tel kanca sokarak, emiş başlığını çıkartın.
- (3) Yakıt filtresi az miktarda tıkanmışsa, temizleyin. Temizlemek için, yakıt içerisinde hafifçe sallayın ve vurun. Hasar vermemek için, sıkmayın ve ovalamayın. Temizlik sırasında kullanılan yakıt mutlaka ülkenizde geçerli olan kurallara uygun bir yöntemle bertaraf edilmelidir. Yakıt filtresi sertleşmiş veya aşırı tıkanmışsa, değiştirin.
- (4) Kontrol, temizlik veya değiştirme işleminden sonra yakıt filtresini yakıt deposunun tabanına gittiği yere kadar ittirin.

Tıkalı veya hasarlı yakıt filtresi, yetersiz yakıt beslenmesine ve motor gücünün düşmesine neden olabilir. Karbüratöre yeterli miktarda yakıt beslemesini sağlamak için, yakıt filtresini en az üç ayda bir değiştirin.

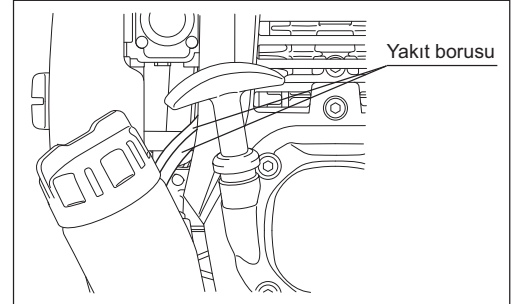


YAKIT BORUSUNUN DEĞİŞTİRİLMESİ

DİKKAT: TUTUŞABİLİR MADDELERİN KULLANILMASI KESİNLİKLE YASAKTIR

Temizlik ve kontrol aralığı: Günlük (her 10 çalışma saatinin sonunda)
Değiştirme sıklığı: Yıllık (her 200 çalışma saatinin sonunda)

Çalıştırma sıklığı ne olursa olsun, yakıt borusunu her yıl değiştirin. Aksi takdirde, yakıt kaçağı nedeniyle yangın tehlikesi ortaya çıkabilir. Kontroller sırasında herhangi bir kaçak tespit ederseniz, yağ borusunu derhal değiştirin.



CIVATALARIN, SOMUNLARIN VE VİDALARIN KONTROLÜ

- Gevşek civataları, somunları vb. sıkın.
- Yakıt ve yağ kaçağı olup olmadığını kontrol edin.
- Güvenli çalışma için, hasarlı parçaları yenileriyle değiştirin.

PARÇALARIN TEMİZLENMESİ

- Motoru daima temiz tutun.
- Silindir açıklıklarına kum veya toz bulaşmasına izin vermeyin. Açıklıklara yapışan toz veya kir, pistonun sıkışmasına neden olur.

CONTA VE SALMASTRALARIN DEĞİŞTİRİLMESİ

Motor söküldükten sonra geri monte edilirken, conta ve salmastraların yenileriyle değiştirildiğinden emin olun.

Bu kılavuzda belirtilmeyen veya açıklanmayan tüm bakım ve ayar çalışmaları mutlaka yalnızca Yetkili Servis Personeli tarafından yapılmalıdır.

SAKLAMA

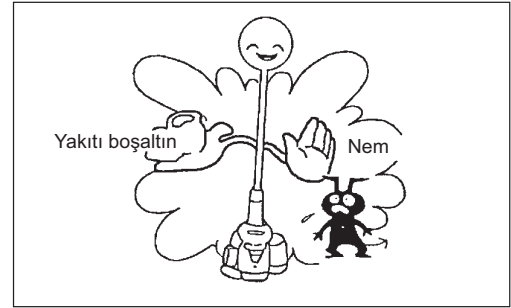


UYARI: Yakıtı boşaltırken, motoru durdurduğunuzdan ve motorun tamamen soğuduğundan emin olun.
Motor durduktan hemen sonra hala sıcak olabilir, dolayısıyla yanık, tutuşma ve yangın tehlikesi mevcuttur.



DİKKAT: Makine uzun bir süre çalıştırılmayacaksa, yakıt deposu ve karbüratördeki yakıtı tamamen boşaltın ve kuru ve temiz bir yerde muhafaza edin.

- Yakıt deposu ve karbüratördeki yakıtı aşağıdaki prosedürü takip ederek boşaltın:
 - 1) Yakıt deposu kapağını çıkartın ve yakıtı tamamen boşaltın.
Yakıt deposunda yabancı madde kalırsa, depoyu iyice temizleyin.
 - 2) Yakıt filtresini bir tel parçası kullanarak doldurma deliğinden çekerek çıkartın.
 - 3) Yakıt boşalana kadar ana pompaya basın ve çıkan yakıtı yakıt deposuna boşaltın.
 - 4) Filtreyi yakıt deposuna geri takın ve yakıt deposu kapağını sıkıca kapatın.
 - 5) Arıandan, motoru durana kadar çalıştırmaya devam edin.
- Bujiyi çıkartın ve birkaç damla motor yağının buji deliğinden damlamasını sağlayın.
- Marş kolunu, motora motor yağı dağılacak şekilde yavaşça çekin ve bujiyi takın.
- Ataşman takılı değilken, mandalı kilitli konuma getirmeyin.
Ataşman takılmadan mandal kilitli konuma getirilirse, ataşmanın uzatma çubuğu takılamaz.
- Depolama sırasında, çubuğun yatay durmasına veya makinenin bağlantı kenarı yukarı bakacak şekilde düz durmasına dikkat edin. (Bu durumda makinenin düşmemesi için gerekli önlemleri alın.)
Makineyi kesinlikle bağlantı kısmı aşağı bakacak şekilde yerleştirmeyin.
Yağlama yağı dökülebilir.
- Boşaltılan yakıtı iyi havalandırılan ve doğrudan güneş ışığı almayan bir yerde özel bir kapta saklayın.



Uzun süre depolama sonrası dikkat edilmesi gerekenler

- Uzun bir süre depoda kaldıktan sonra ilk defa çalıştırmadan önce yağı değiştirdiğinizden emin olun (bkz. sayfa 206). Makinenin çalışmadığı sürede yağ bozulmuştur.

Arıza tespiti

Arıza	Sistem	Gözlem	Nedeni
Motor çalışmıyor veya zor çalışıyor	Ateşleme sistemi	Ateşleme kıvılcımı çıkıyor	Yakıt besleme veya sıkıştırma sistemi arızası veya mekanik bir arıza mevcuttur
		Ateşleme kıvılcımı çıkmıyor	DURDURMA düğmesine basılmıştır, kablolama hatalı veya kısa devre yapmıştır, buji veya konektör arızalıdır, ateşleme modülü arızalıdır
	Yakıt besleme	Yakıt deposu doludur	Jikle konumu yanlış, karbüratör arızalıdır, yakıt besleme hattı bükülmüş veya tıkanmıştır, yakıt kirlidir
	Sıkıştırma	Çekildiğinde sıkışma olmuyor	Silindirin alt contası yıpranmıştır, krank mili contaları hasar görmüştür, silindir veya piston halkaları arızalıdır veya buji sızdırmazlığı hatalıdır
Sıcak başlatma sorunları	Mekanik arıza	Marş basmıyor	Marş ipi kopmuştur, motor içindeki parçalar bozulmuştur
		Depo dolu ve ateşleme kıvılcımı çıkıyor	Karbüratör kirlidir, temizletin
Motor çalışıyor, ancak hemen duruyor	Yakıt besleme	Depo dolu	Rölanti ayarı yanlış, karbüratör kirlenmiştir Yakıt deposu hava alma tertibatı arızalıdır, yakıt besleme hattı kesilmiştir, kablo veya DURDURMA düğmesi arızalıdır
Düşük performans	Aynı anda birkaç sistem etkilenmiş olabilir	Motor rölantide zayıf çalışıyor	Hava filtresi kirlenmiştir, karbüratör kirlenmiştir, susturucu tıkanmıştır, silindirdeki çıkış kanalı tıkanmıştır

Bileşen	Çalışma süresi		Çalışma öncesi	Yağlama sonrası	Günlük (10 sa)	30 sa	50 sa	200 sa	Kapatma/dinlenme	Karşılık gelen P
Motor yağı	Kontrol edin/temizleyin	<input type="radio"/>								202
	Değiştirin						<input type="radio"/> *1			206
Parçaları sıkın (cıvata, somun)	Kontrol edin	<input type="radio"/>								208
Yakıt deposu	Temizleyin/kontrol edin	<input type="radio"/>								—
	Yakıtı boşaltın							<input type="radio"/> *3		209
Kısma mandalı	Çalışma kontrolü		<input type="radio"/>							—
Durdurma düğmesi	Çalışma kontrolü		<input type="radio"/>							205
Düşük devirli dönüş	Kontrol edin/ayarlayın			<input type="radio"/>						205
Hava temizleyici	Temizleyin			<input type="radio"/>						207
Buji	Kontrol edin			<input type="radio"/>						208
Soğutucu hava kanalı	Temizleyin/kontrol edin			<input type="radio"/>						208
Yakıt borusu	Kontrol edin			<input type="radio"/>						208
	Değiştirin							<input checked="" type="radio"/> *2		—
Yakıt filtresi	Temizleyin/değiştirin						<input type="radio"/>			208
Hava giriş vanası ile hava deşarj vanası arasındaki boşluk	Ayarlayın							<input checked="" type="radio"/> *2		—
Motor bakımı								<input checked="" type="radio"/> *2		—
Karbüratör	Yakıtı boşaltın							<input type="radio"/> *3		209

*1 İlk değiştirmeyi 20 saatlik çalışma sonrasında gerçekleştirin.

*2 200 çalışma saati sonrası kontroller için, Yetkili Servis Personeline veya bir makine atölyesine danışın.

*3 Yakıt deposunu boşalttıktan sonra, motoru çalıştırmaya devam ederek karbüratördeki yakıtın boşalmasını sağlayın.

Her bir ataşmanla birlikte verilen kullanım kılavuzunu kontrol edin ve kullanılan ataşmanların bakımını açıklandığı şekilde gerçekleştirin.

SORUN GİDERME

Anarım talebinde bulunmadan, lütfen sorunu önce kendiniz kontrol edin. Herhangi bir anormal durum tespit ettiğinizde, makinenizi bu kılavuzda verilen açıklamalara göre kontrol edin. Hiçbir parçayı açıklamaların aksine bir şekilde değiştirmeyin ve sökmeyin. Anarım için, Yetkili Servis Personeline veya satıcınıza başvurun.

Anormal durum	Olası nedeni (arıza)	Çözüm
Motor çalışmıyor	Yakıt pompası çalışmıyordu	7 ila 10 defa basın
	Marş ipini çekme hızınız yavaştır	Güçlü şekilde çekin
	Yakıt azdır	Yakıt doldurun
	Yakıt filtresi tıkanmıştır	Temizleyin
	Yakıt tüpü bükülmüştür	Yakıt tüpünü düzleştirin
	Yakıt kirlenmiştir	Yakıtın kirlenmesi, motorun çalışmasını zorlaştırır. Yenisiyle değiştirin. (Önerilen değiştirme sıklığı: 1 ay)
	Yakıt emişi aşırıdır	Kısma mandalını orta devirden yüksek devire getirin ve motor çalışana kadar marş kolunu çekin. Motor çalıştıktan sonra ataşman dönmeye veya hareket etmeye başlıyor. Ataşmana dikkat edin. Motor hala çalışmazsa, bujiyi çıkartın, elektrotun kurumasını sağlayın ve bu parçaları tekrar başlangıçtaki gibi geri takın. Ardından, belirtildiği gibi çalıştırmayı deneyin.
	Buji kapağı çıkmıştır	Sağlam şekilde takın
	Buji kirlenmiştir	Temizleyin
	Buji açıklığı normal değildir	Açıklığı ayarlayın
	Bujide başka bir sorun vardır	Değiştirin
	Karbüratör normal çalışmıyordu	Kontrol ve bakım talebinde bulunun.
	Marş ipi çekilemiyor	Kontrol ve bakım talebinde bulunun.
	Tahrik sistemi normal çalışmıyordu	Kontrol ve bakım talebinde bulunun.
Motor hemen duruyor Motor devri yükselmiyor	Isınma yetersizdir	Isınma prosedürünü uygulayın
	Motor ısınmasına rağmen, jikle kolu "KAPALI" konumdadır.	"AÇIK" konumuna getirin
	Yakıt filtresi tıkanmıştır	Temizleyin veya değiştirin
	Hava temizleyici kirlenmiş veya tıkanmıştır	Temizleyin
	Karbüratör normal çalışmıyordu	Kontrol ve bakım talebinde bulunun.
	Tahrik sistemi normal çalışmıyordu	Kontrol ve bakım talebinde bulunun.
Ataşman dönmüyor veya hareket etmiyor ↓ Motoru derhal durdurun	Ataşman belirtilen noktaya takılmamıştır	Belirtildiği şekilde takın.
Ana ünite aşırı titreşim yapıyor ↓ Motoru derhal durdurun	Tahrik sistemi normal çalışmıyordu	Kontrol ve bakım talebinde bulunun.
	Ataşman belirtilen noktaya takılmamıştır	Belirtildiği şekilde takın.
	Mandal gevşemiştir	İyice sıkın.
Ataşman hemen durmuyor ↓ Motoru derhal durdurun	Tahrik sistemi normal çalışmıyordu	Kontrol ve bakım talebinde bulunun.
	Rölanti hızı yüksektir	Ayarlayın
	Kısma teli çıkmıştır	Sağlam şekilde takın
Motor durmuyor ↓ Motoru rölantide çalıştırın ve jikle kolunu KAPALI konuma getirin	Tahrik sistemi normal çalışmıyordu	Kontrol ve bakım talebinde bulunun.
	Konektör çıkmıştır	Sağlam şekilde takın
	Elektrik sistemi normal çalışmıyordu	Kontrol ve bakım talebinde bulunun.

Isınma prosedürü uygulandıktan sonra, motor çalışmıyorsa:

Kontrol edilen parçalarda herhangi bir anormal durum tespit edilmezse, kısma mandalını yaklaşık 1/3 tur açın ve motoru çalıştırın.

Makita Corporation
Anjo, Aichi, Japan

www.makita.com

885036C995

ALA