



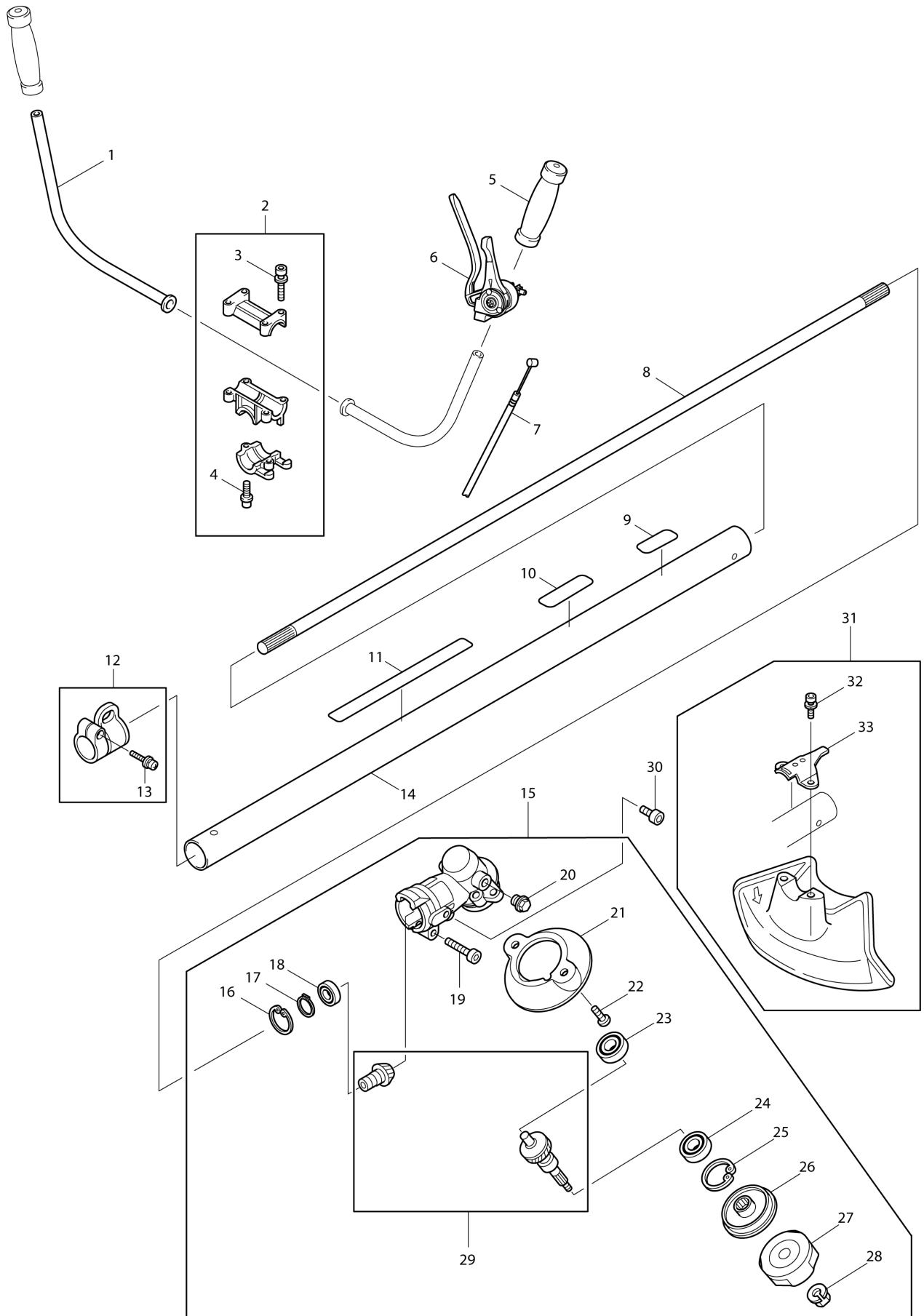
VN	VIETNAM
----	---------

Diagram / Parts List

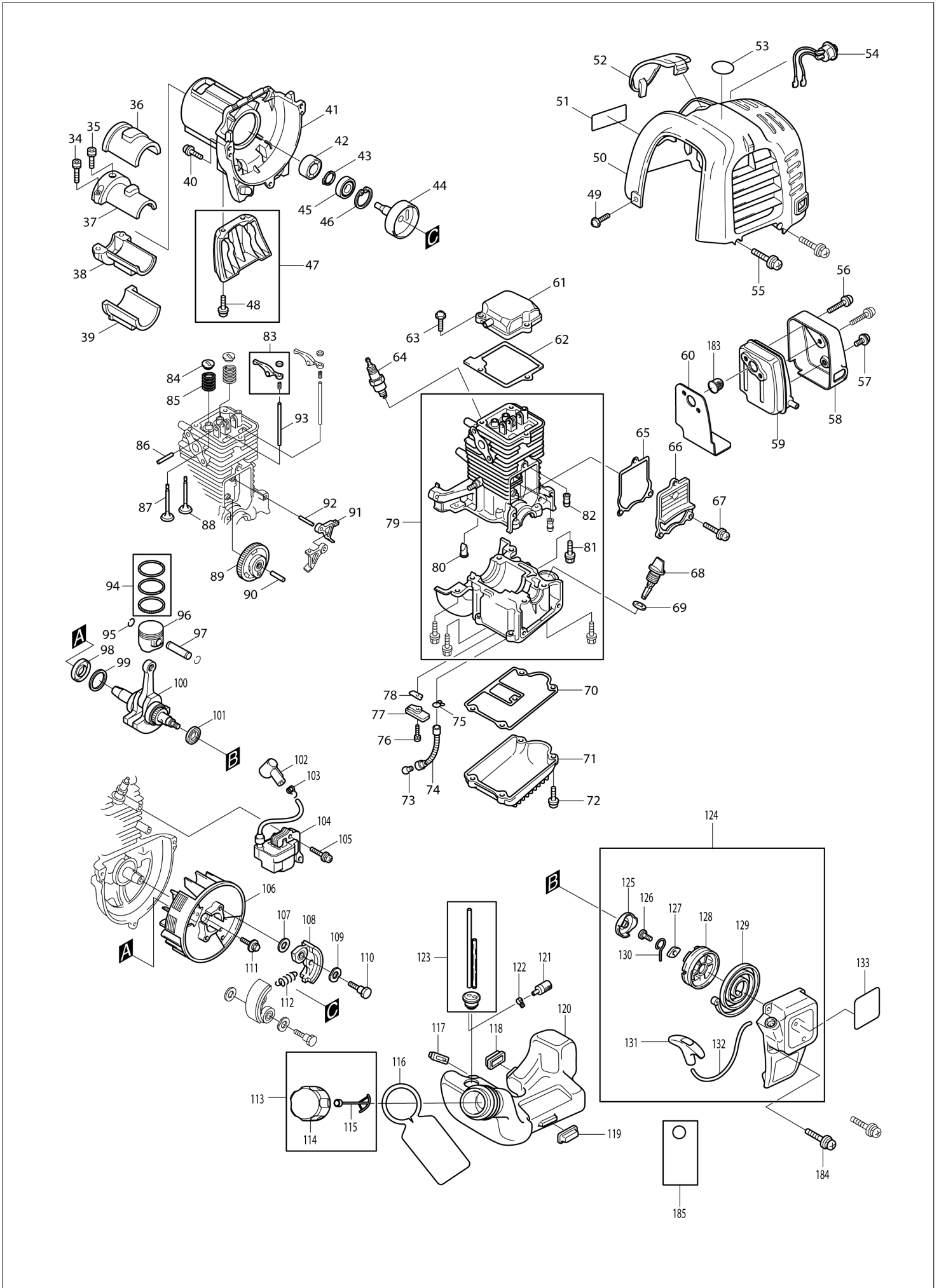
EM2550UH

PETROL BRUSHCUTTER

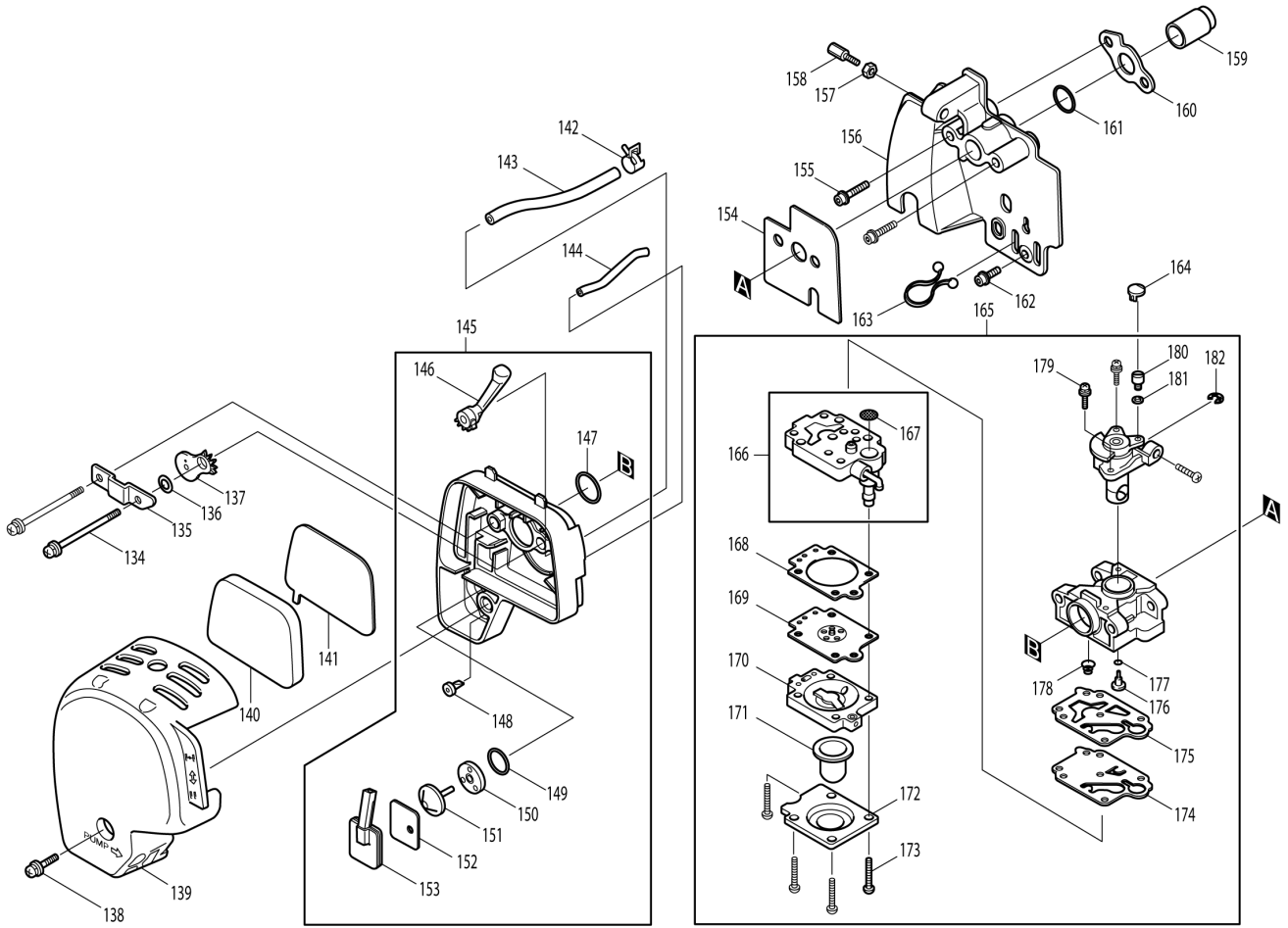
(VN) EM2550UH / PETROL BRUSHCUTTER



(VN) EM2550UH / PETROL BRUSHCUTTER



(VN) EM2550UH / PETROL BRUSHCUTTER



VN	VIETNAM
-----------	----------------

EM2550UH / PETROL BRUSHCUTTER

Item	Sub	Parts No.	Parts Description	Qty	I/C	E/C No.	Close No.	Remark
001		331821-2	HANDLE	2				
002		135395-3	HANDLE HOLDER ASS'Y	1				
	D10		INC. 3,4					
003		922241-7	HEX. SOCKET HEAD BOLT M5X25	4				
004		922251-4	HEX. SOCKET HEAD BOLT M5X30	2				
005		273526-7	GRIP 18	2				
006		125477-9	CONTROL LEVER	1				
007		168470-0	CONTROL CABLE	1				
008		324893-4	SHAFT	1			99858	
008-1		326368-9	SHAFT	1	O	99858		
009		808723-2	CAUTION LABEL	1				
010		819312-8	MAKITA LOGO LABEL	1				
011		898699-1	CAUTION LABEL	1				
012		195143-2	HANGER SET	1				
	D10		INC. 13					
013		911233-1	PAN HEAD SCREW M5X20	1				
014		158658-0	SHAFT PIPE COMPLETE	1				
015		125476-1	GEAR CASE ASSEMBLY	1			97995	
	D10		INC. 16-29				97995	
015-1		126262-3	GEAR CASE ASSEMBLY	1	X	97995	C0956	
	D10		INC. 16-29			97995	C0956	
015-2		136014-4	GEAR CASE ASSEMBLY	1	O	C0956		
	D10		INC. 16-29			C0956		
016		962103-7	RETAINING RING R-24	1			C0956	
016-1		257987-9	RETAINING RING (INT)R-24	1	O	C0956		
017		961005-4	RETAINING RING S-9	1			C0956	
017-1		257986-1	RETAINING RING (EXT) S-9	1	O	C0956		
018		210049-4	BALL BEARING 609ZZ	1			C0956	
018-1		210157-1	BALL BEARING 609ZZ	1	<	C0956		
019		922241-7	HEX. SOCKET HEAD BOLT M5X25	1				
020		265578-2	+HEX.BOLT M6X8	1			98280	
020-1		266863-6	+HEX.BOLT M6X8	1	O	98280	C0956	
020-2		265578-2	+HEX.BOLT M6X8	1	O	C0956		
021		450653-9	GUARD	1				
022		265195-8	+PAN HEAD SCREW M5X12	2			96565	
022-1		911213-7	PAN HEAD SCREW M5X12	2	O	96565	C0956	
022-2		265195-8	+PAN HEAD SCREW M5X12	2	O	C0956		
023		210083-4	BALL BEARING 626	1			96565	
023-1		211019-6	BALL BEARING 626	1	O	96565	C0956	
023-2		210158-9	BALL BEARING 626	1	<	C0956		
024		210082-6	BALL BEARING 6000DDU	1			96565	
024-1		210054-1	BALL BEARING 6000LLU	1	O	96565		
025		962105-3	RETAINING RING R-26	1			C0956	
025-1		257988-7	RETAINING RING (INT) R-26	1	O	C0956		
026		324917-6	RECEIVE WASHER	1			Y06295	
026-1		332042-9	RECEIVE WASHER	1	<	Y06295	96565	
026-2		324917-6	RECEIVE WASHER	1	O	96565	C0956	
026-3		326819-2	RECEIVE WASHER	1	O	C0956		
027		168481-5	CLAMP WASHER COMPLETE	1			97995	
027-1		168797-8	CLAMP WASHER COMPLETE	1	O	97995		
028		264018-7	HEX.NUT M8	1				
029		195350-7	CUTTER SHAFT SET	1			97995	
029-1		196424-7	CUTTER SHAFT SET	1	X	97995	C0956	
029-2		183K46-8	CUTTER SHAFT SET	1	O	C0956	C3688	
029-3		199451-3	CUTTER SHAFT SET	1	O	C3688		
030		922218-2	H.S.H.BOLT M5X14 WITH WR	1				
031		125478-7	PROTECTOR ASSEMBLY	1			Y06262	
	D10		INC. 32,33				Y06262	
031-1		196353-4	PROTECTOR SET	1	O	Y06262	D1764	
	D10		INC. 32,33			Y06262	D1764	
031-2		196353-4	PROTECTOR SET	1	O	D1764		
	D10		INC. 32,33			D1764		
032		922226-3	HEX. SOCKET HEAD BOLT M5X18	2				
033		345923-8	PROTECTOR CLAMP	1				
034		922226-3	HEX. SOCKET HEAD BOLT M5X18	2				

Interchange
O : Yes
X : No
< : the new part can be substituted for the current.
> : the current part can be substituted for the new.
S : Interchangeable as a set.

VN	VIETNAM
-----------	----------------

EM2550UH / PETROL BRUSHCUTTER

Item	Sub	Parts No.	Parts Description	Qty	I/C	E/C No.	Close No.	Remark
035		922211-6	H.S.H.BOLT M5X12 WITH W	1				
036		424191-7	PIPE DAMPER 1	1				
037		318270-0	PIPE BRACKET 1	1				
038		318271-8	PIPE BRACKET 2	1				
039		424107-2	PIPE DAMPER 2	1				
040		922222-1	HEX. SOCKET HEAD BOLT M5X16	3				
041		318329-3	CLUTCH CASE	1				
042		450569-8	SPACER	1			A1812	
042-1		450569-8	SPACER	1	O	A1812		
043		961052-5	RETAINING RING S-12	1				
044		168475-0	CLUTCH DRUM	1				
045		210111-5	BALL BEARING 6201LLU	1				
046		962151-6	RETAINING RING R-32	1				
047		195144-0	STAND SET	1				
	D10		INC. 48					
048		911218-7	PAN HEAD SCREW M5X14	2				
049		911213-7	PAN HEAD SCREW M5X12	2				
050		450564-8	CYLINDER COVER	1				
052		450568-0	PLUG COVER	1			95539	
052-1		452144-6	PLUG COVER	1	O	95539		
053		808633-3	4STROKE INDICATION LABEL	1			95539	
054		125474-5	SWITCH ASSY	1			99823	
054-1		632B58-9	STOP SWITCH UNIT	1	S	99823		
055		911128-8	P.H.SCREW M4X16 WITH WR	2				
056		266440-4	HEX SOCKET HEAD BOLT M5X40	2				
057		265184-3	+TRUSS HEAD SCREW M5X5	1				
058		345915-7	MUFFLER COVER	1				
059		168469-5	EXHAUST MUFFLER	1				
060		345916-5	MUFFLER GASKET	1				
061		140023-7	ROCKER COVER COMPLETE	1			C2837	
061-1		140B46-7	ROCKER COVER COMPLETE	1	<	C2837		
062		162275-0	ROCKER COVER GASKET	1				
063		922223-9	H.S.H.BOLT M5X16 WITH WR	3				
064		168534-0	SPARK PLUG	1				
065		162274-2	CAM GEAR COVER GASKET	1				
066		318443-5	CAM GEAR COVER	1				
067		922217-4	HEX. SOCKET HEAD BOLT M5X14	3				
068		450565-6	OIL GAUGE	1				
069		424100-6	GASKET	1				
070		162276-8	CASE GASKET	1				
071		318442-7	OIL CASE	1				
072		922217-4	HEX. SOCKET HEAD BOLT M5X14	4				
073		325666-8	OIL WEIGHT	1				
074		424202-8	OIL TUBE	1				
075		282020-8	HOSE CLAMP	1				
076		922112-8	HEX. SOCKET HEAD BOLT M4X10	1				
077		318440-1	RETAINER PLATE	1				
078		346083-9	LEAD VALVE	1				
079		135375-9	CYLINDER BLOCK ASSEMBLY	1				
	D10		INC. 80-82					
080		424201-0	CHECK VALVE	2				
081		922217-4	HEX. SOCKET HEAD BOLT M5X14	8				
082		424200-2	SPACER	2				
083		125554-7	ROCKER ARM ASSEMBLY	2				
084		325668-4	SPRING RETAINER	2				
085		234108-0	COMPRESSION SPRING 9	2				
086		256200-2	PIN 5	1				
087		325670-7	INTAKE VALVE	1			99823	
087-1		326367-1	INTAKE VALVE	1	O	99823		
088		325669-2	EXHAUST VALVE	1			99823	
088-1		326366-3	EXHAUST VALVE	1	O	99823		
089		125552-1	CAM GEAR ASSEMBLY	1				
090		268238-5	PIN 5	1				
091		313169-4	CAM LIFTER	2				
092		268239-3	PIN 4	1				

Interchange
O : Yes
X : No
< : the new part can be substituted for the current.
> : the current part can be substituted for the new.
S : Interchangeable as a set.

VN	VIETNAM
-----------	----------------

EM2550UH / PETROL BRUSHCUTTER

Item	Sub	Parts No.	Parts Description	Qty	I/C	E/C No.	Close No.	Remark
093		256865-0	ROD 2.5	2				
094		195145-8	PISTON RING SET	1			A0148	
094-1		196595-0	PISTON RING SET	1	O	A0148		
095		233976-8	CLIP	2				
096		318441-9	PISTON	1			A9068	
096-1		197453-3	PISTON SET	1	<	A9068		
	C10	318441-9	PISTON	1		A9068		
	D10		INC. 94,95			A9068		
097		257781-9	PISTON PIN	1				
098		213147-3	OIL SEAL 12	1			B2951	
098-1		213089-1	OIL SEAL 12	1	<	B2951		
099		267400-9	FLAT WASHER 23	1				
100		135374-1	CRANKSHAFT ASSEMBLY	1			Y06314	
100-1		135539-5	CRANKSHAFT ASSEMBLY	1	O	Y06314		
101		213148-1	OIL SEAL 10	1			B2951	
101-1		213769-9	OIL SEAL 10	1	<	B2951		
102		424105-6	PLUG CAP	1				
103		324891-8	PLUG CAP SPRING	1				
104		168501-5	IGNITION COIL	1			99823	
104-1		168816-0	IGNITION COIL	1	S	99823		
105		922138-0	H.S.H.BOLT M4X20 WITH WR	2				
106		318343-9	FLYWHEEL	1			99823	
106-1		319012-5	FLYWHEEL	1	O	99823		
107		267812-6	WASHER 6	2				
108		168498-8	CLUTCH SHOE	2			A6620	
108-1		161332-1	CLUTCH SHOE	2	O	A6620		
109		267817-6	WASHER 8	2				
110		266457-7	SHOULDER HEX. BOLT M6X25	2			98135	
110-1		266864-4	SHOULDER HEX. BOLT M6X25	2	O	98135		
111		265577-4	HEX HEAD BOLT M6X16	1				
112		231858-8	TENSION SPRING 6	1			Y06373	
112-1		231881-3	TENSION SPRING 7	1	<	Y06373		
113		125472-9	FUEL TANK CAP ASSEMBLY	1			C4429	
	D10		INC. 114,115				C4429	
113-1		127108-6	FUEL TANK CAP ASSEMBLY	1	O	C4429		
	D10		INC. 114,115			C4429		
114		140435-4	FUEL TANK CAP	1				
115		140436-2	STRAP COMPLETE	1				
116		810455-9	CAUTION PLATE	1				
117		424102-2	PLATE	1				
118		424103-0	PLATE	1				
119		424104-8	DAMPER	1				
120		450566-4	FUEL TANK	1				
121		163447-0	FUEL FILTER	1			B3537	
121-1		163447-0	FUEL FILTER	1	O	B3537		
122		345920-4	HOSE CLAMP	1				
123		168472-6	TUBE COMPLETE	1				
124		195146-6	RECOIL STARTER SET	1				
	D10		INC. 125-132					
125		168483-1	PULLEY	1				
126		266585-8	TAPPING SCREW 5X12	1				
127		451938-6	COLLAR	1				
128		451937-8	REEL	1				
129		232258-5	SPIRAL SPRING	1				
130		325923-4	SWING ARM	1				
131		424319-7	STARTER KNOB	1				
132		444019-3	STARTER ROPE	1				
133		898698-3	EM2550UH MODEL NO. LABEL	1				
134		265188-5	+PAN HEAD SCREW M5X68	2				
135		345919-9	PLATE	1				
136		423376-2	GASKET	1				
137		450560-6	CHOKE PLATE	1				
138		911218-7	PAN HEAD SCREW M5X14	1				
139		450561-4	AIR CLEANER COVER	1				
140		443141-3	AIR CLEANER ELEMENT	1				

Interchange
O : Yes
X : No
< : the new part can be substituted for the current.
> : the current part can be substituted for the new.
S : Interchangeable as a set.

VN	VIETNAM
-----------	----------------

EM2550UH / PETROL BRUSHCUTTER

Item	Sub	Parts No.	Parts Description	Qty	I/C	E/C No.	Close No.	Remark
141		443140-5	AIR CLEANER ELEMENT	1				
142		345918-1	HOSE CLAMP	1				
143		422041-0	BREATHER PIPE	1				
144		422042-8	PIPE	1				
145		125468-0	CLEANER PLATE ASSEMBLY	1			B8647	
	C10	140814-6	AIR CLEANER PLATE COMPLETE	1			B8647	
	D10		INC. 146-153				B8647	
145-1		123845-0	CLEANER PLATE ASSEMBLY	1	O	B8647		
	C10	140814-6	AIR CLEANER PLATE COMPLETE	1		B8647	B8647	
	C11	455407-9	AIR CLEANER PLATE	1	X	B8647		
	D10		INC. 146-153			B8647		
146		451925-5	CHOKE LEVER	1			B8647	
146-1		457241-3	CHOKE LEVER	1	X	B8647		
147		213540-1	O RING 15	1			B8647	
147-1		213094-8	O RING 15	1	X	B8647		
148		424316-3	CHECK VALVE	1			B8647	
148-1		424938-9	CHECK VALVE	1	X	B8647		
149		213539-6	O RING 14	1			B8647	
149-1		213093-0	O RING 14	1	X	B8647		
150		451924-7	CHECK VALVE PLATE	1			B8647	
150-1		457240-5	CHECK VALVE PLATE	1	X	B8647		
151		424315-5	CHECK VALVE	1			B8647	
151-1		424937-1	CHECK VALVE	1	X	B8647		
152		168577-2	SEPARATOR GASKET	1			B8647	
152-1		161572-1	SEPARATOR GASKET	1	X	B8647		
153		168576-4	SEPARATOR PLATE	1			B8647	
153-1		161571-3	SEPARATOR PLATE	1	X	B8647		
154		413121-3	CARBURETOR GASKET	1				
155		922228-9	H.S.H.BOLT M5X18 WITH WR	2				
156		450559-1	INSULATOR	1				
158		325663-4	ADJUST SCREW	1				
159		324961-3	INTAKE PIPE	1				
160		413120-5	INSULATOR GASKET	1				
161		213078-6	O-RING 10	1				
162		922213-2	H.S.H.BOLT M5X12 WITH WR	1				
163		450562-2	CLAMP	1				
164		286284-6	CAP	1				
165		168497-0	CARBURETOR	1				
	D10		INC. 166,168-182					
166		140437-0	PUMP BODY	1				
	D10		INC. 167					
167		352010-6	INLET SCREEN	1			Y07179	
167-1		WJ00014070	INLET SCREEN	1	O	Y07179		
168		442154-1	METERING DIAPHRAGM GASKET	1				
169		168574-8	METERING DIAPHRAGM	1			Y07577	
169-1		WJ00963279	SCREW	1	O	Y07577	Y07595	
169-2		WJ00095586	DIAPHRAGM ASS'Y	1	X	Y07595		
170		140438-8	AIR PURGE BODY	1				
171		424314-7	PRIMER PUMP	1				
172		346270-0	PRIMER PUMP COVER	1				
173		266582-4	TAPPING SCREW 3X24	4				
174		168575-6	PUMP DIAPHRAGM	1			Y07366	
174-1		WJ00009599	PUMP DIAPHRAGM	1	O	Y07366		
175		442155-9	PUMP GASKET	1				
176		325924-2	JET	1				
177		213538-8	O RING 2	1				
178		234183-6	CONICAL COMPRESSION SPRING 5-9	1				
179		266581-6	PAN HEAD SCREW M3X8 WITH W	2			Y06995	
179-1		WJ00096364	SCREW M3X8 WITH WASHER	2	O	Y06995		
180		325922-6	SWIVEL	1				
181		413140-9	WASHER	1				
182		257964-1	STOP RING E-3	1				
183		324980-9	SPARK ARRESTER	1				
184		911128-8	P.H.SCREW M4X16 WITH WR	2				
185		819432-8	CAUTION TAG	1				

Interchange
O : Yes
X : No
< : the new part can be substituted for the current.
> : the current part can be substituted for the new.
S : Interchangeable as a set.

