



VN	VIETNAM
----	---------

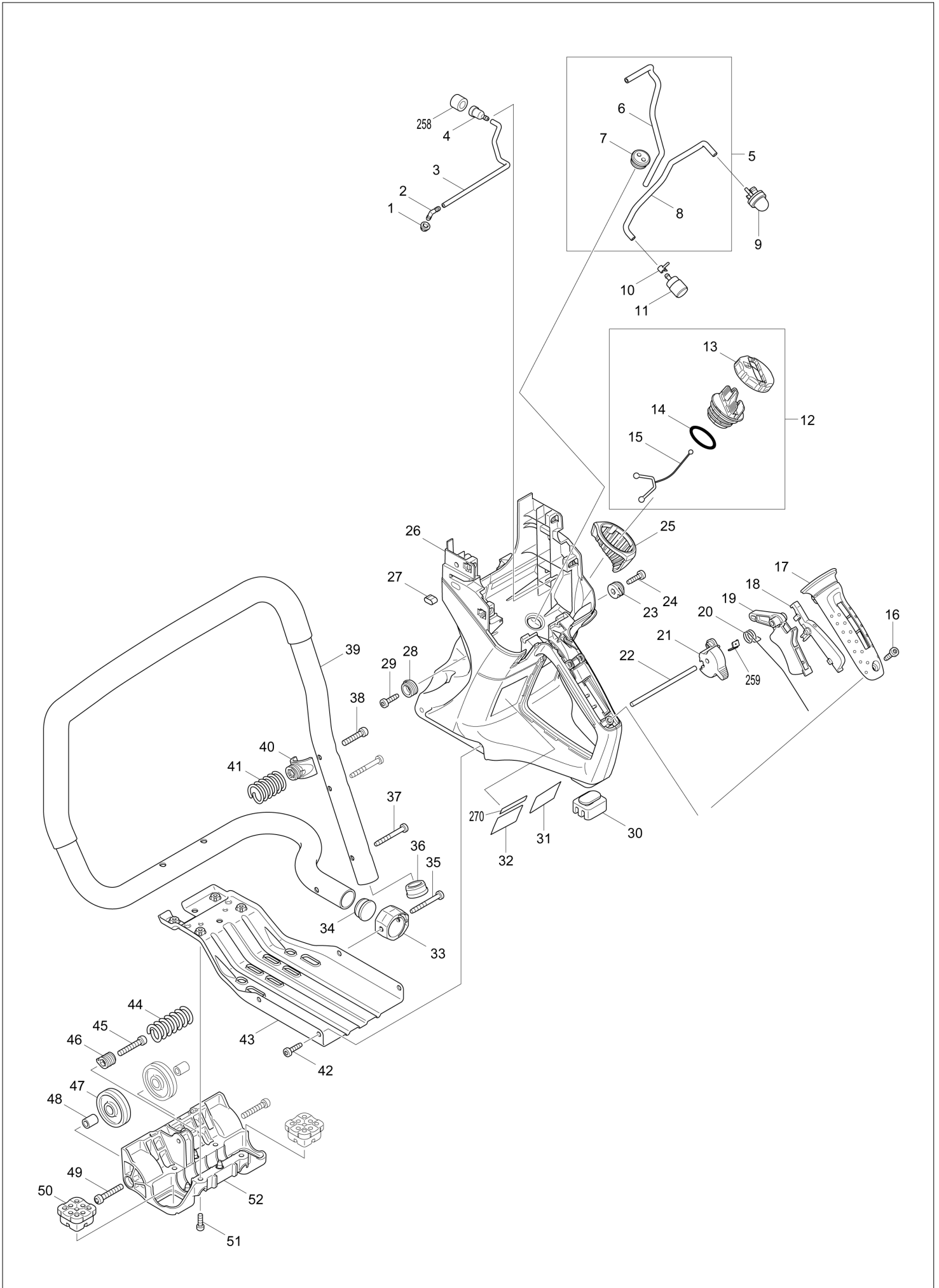
Diagram / Parts List

EK7651H

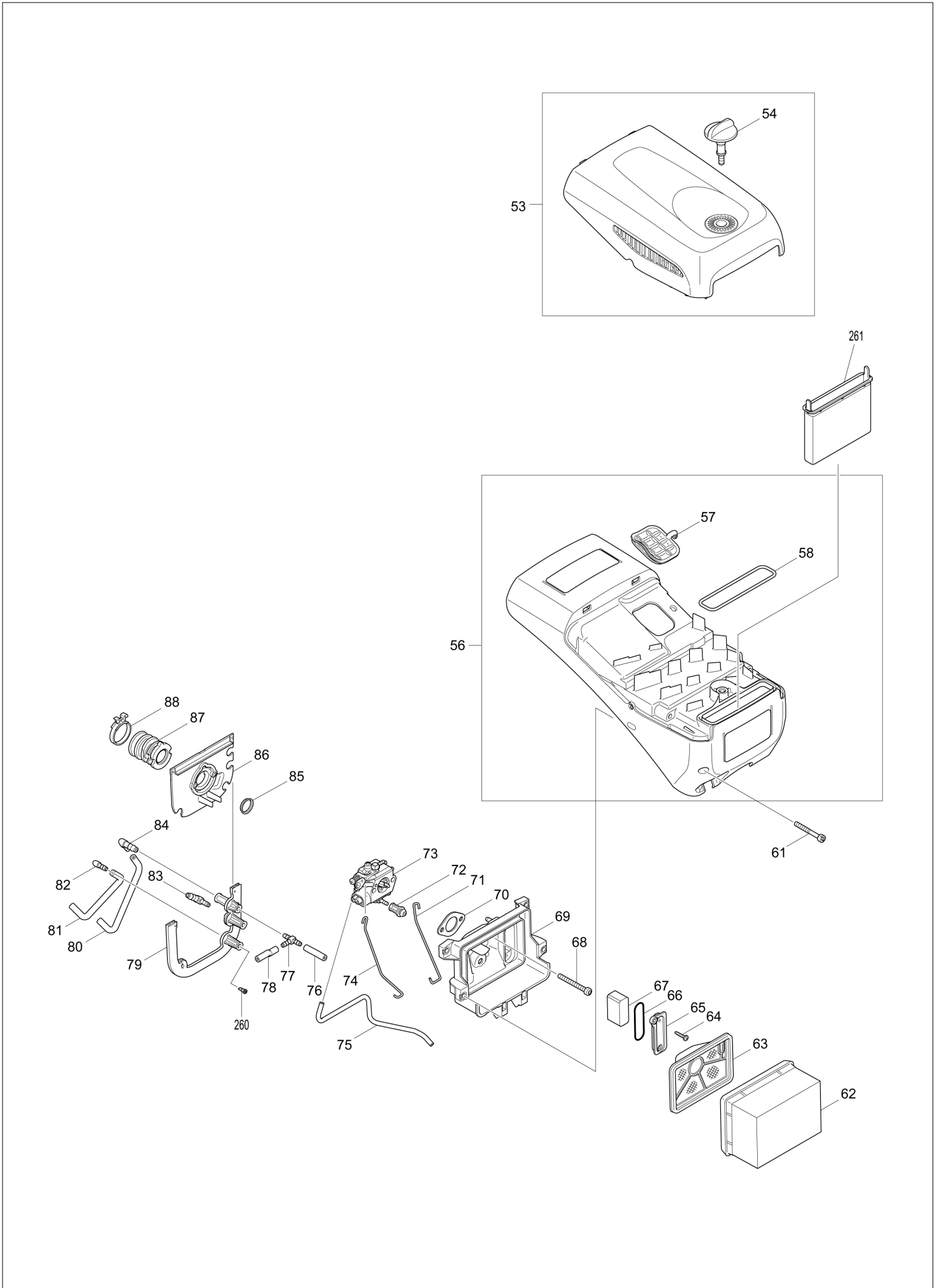
POWER CUTTER



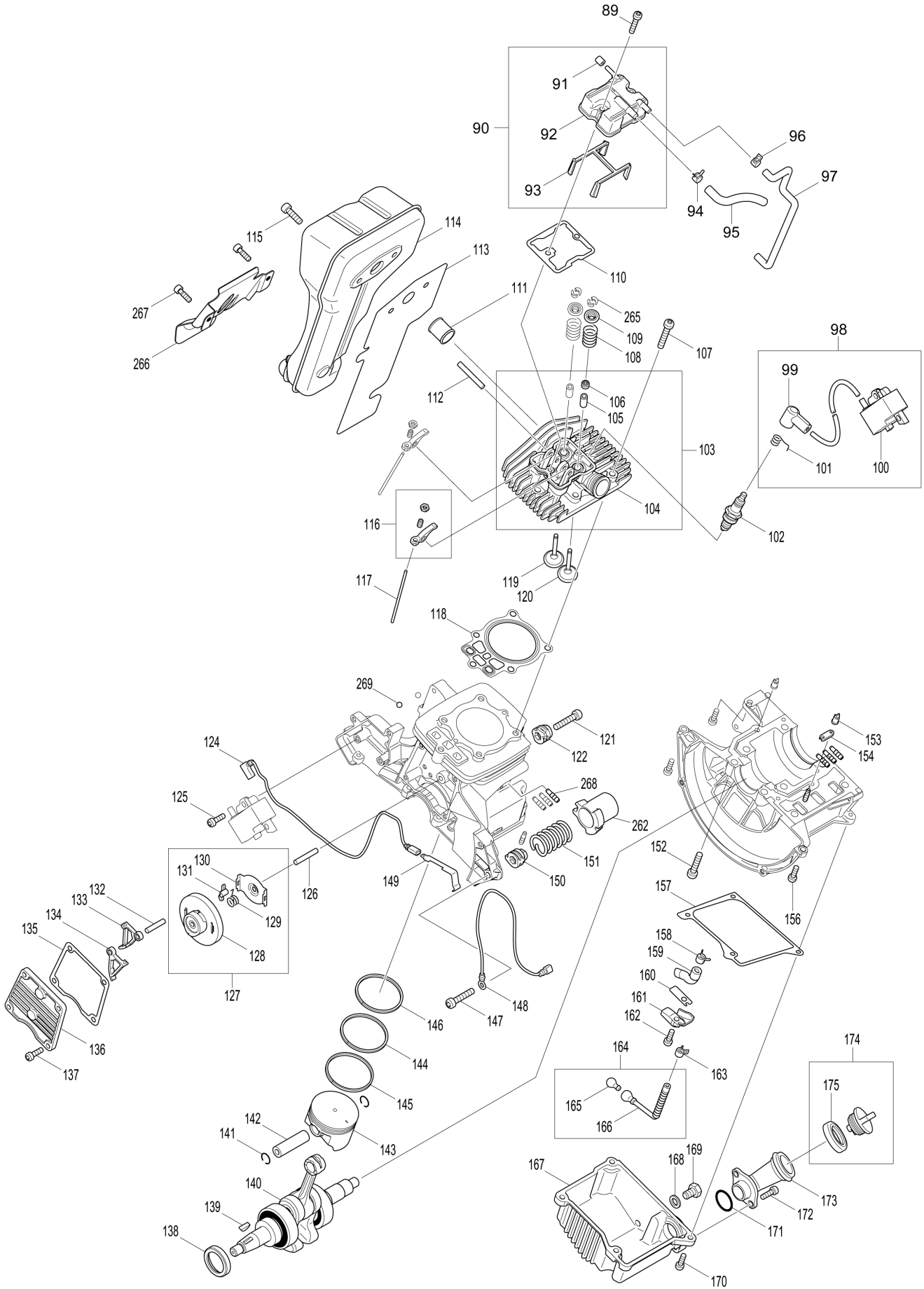
(VN) EK7651H / POWER CUTTER



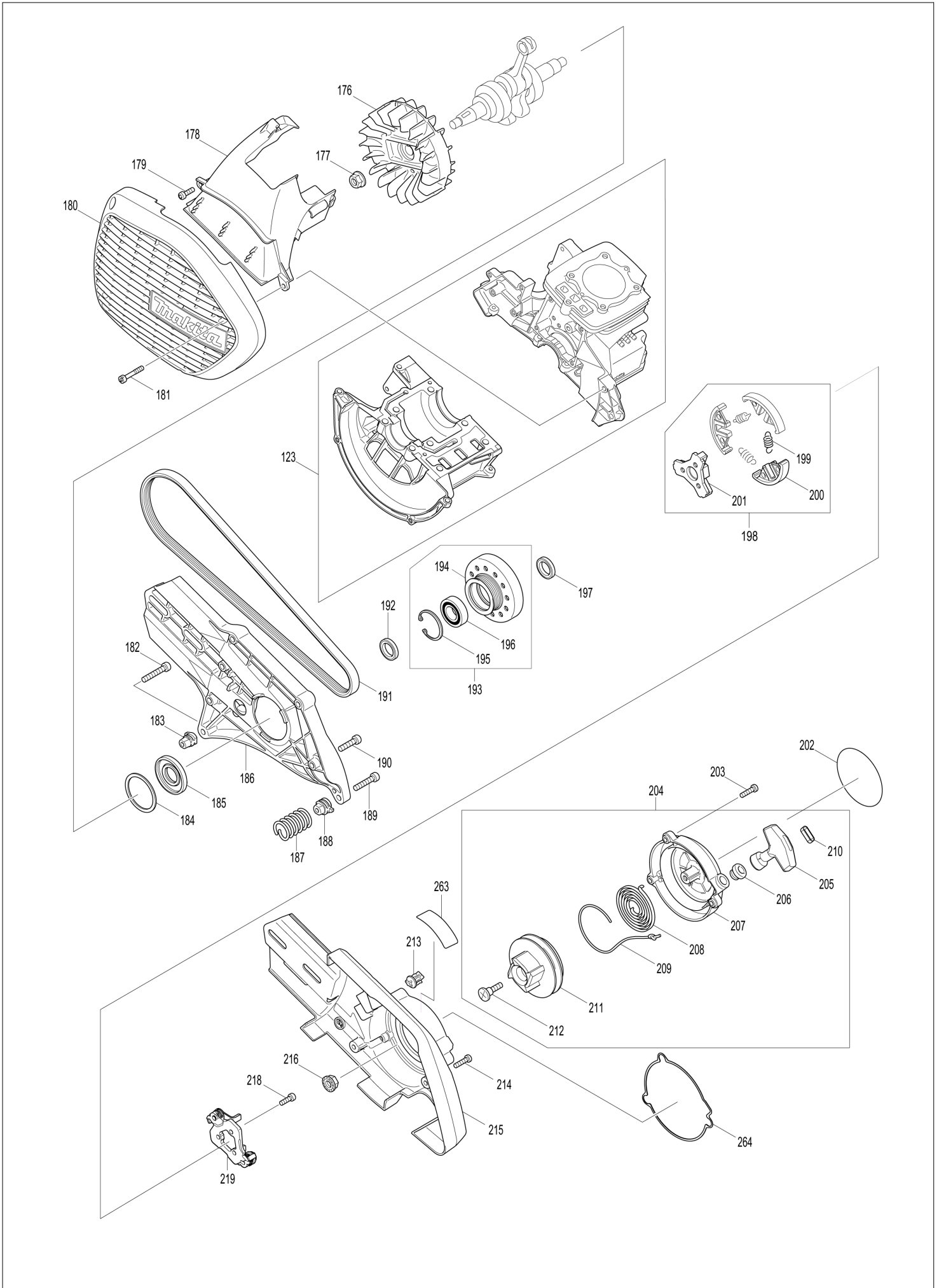
(VN) EK7651H / POWER CUTTER



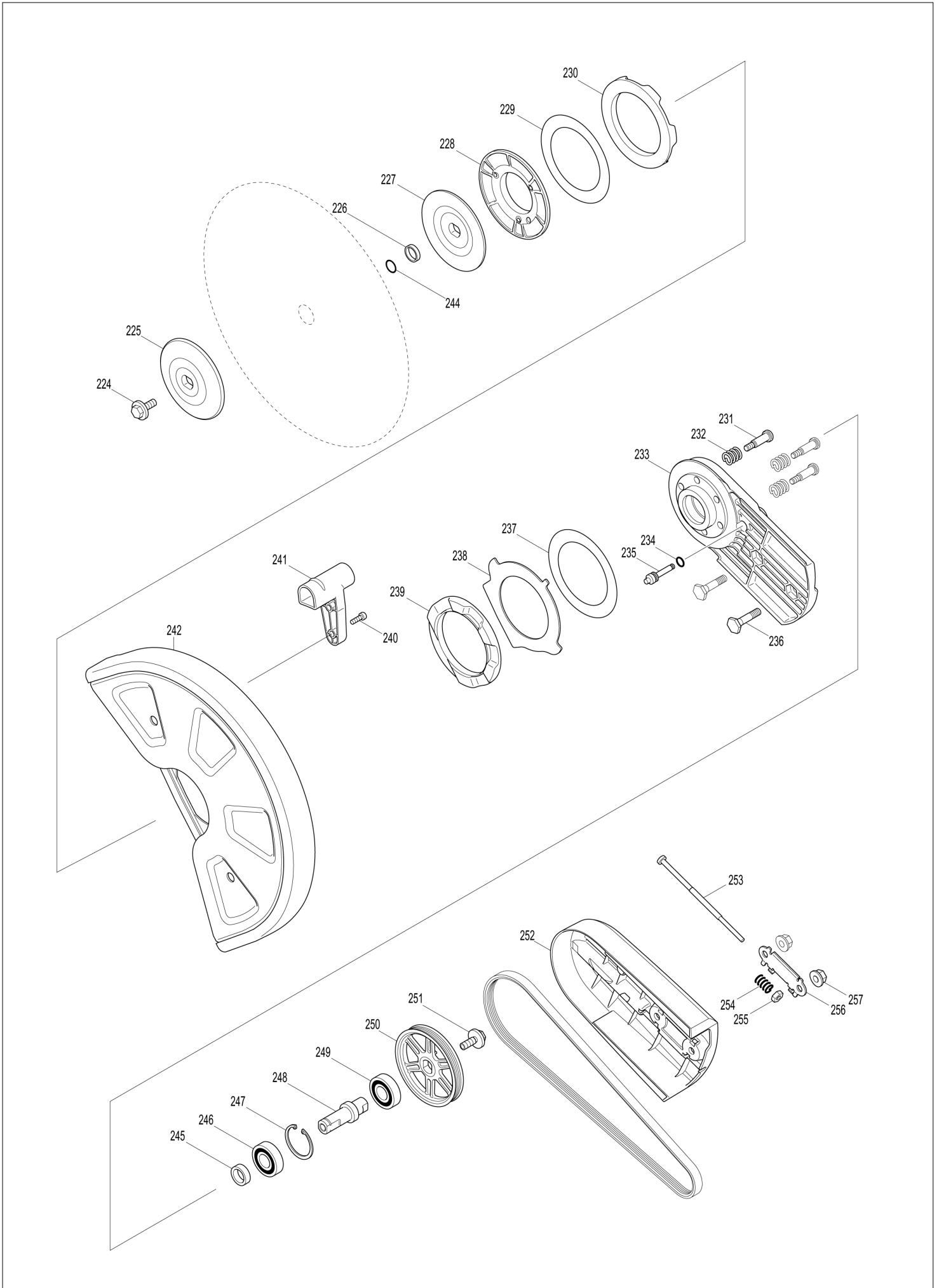
(VN) EK7651H / POWER CUTTER



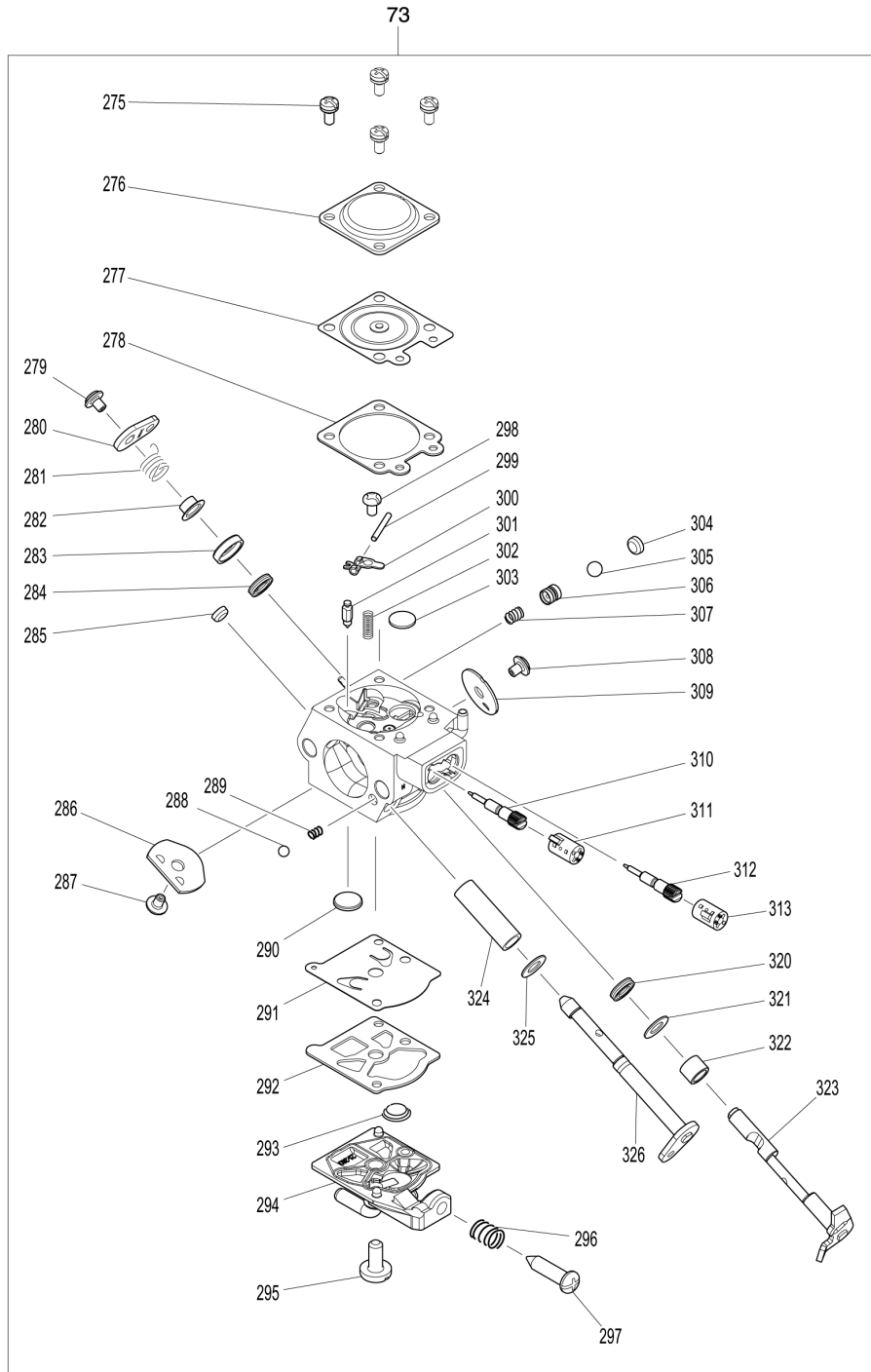
(VN) EK7651H / POWER CUTTER



(VN) EK7651H / POWER CUTTER



(VN) EK7651H / POWER CUTTER



VN	VIETNAM
-----------	----------------

EK7651H / POWER CUTTER

Item	Sub	Parts No.	Parts Description	Qty	I/C	E/C No.	Close No.	Remark
001		421875-8	GROMMET	1				
002		452800-8	HOSE JOINT 4-4	1				
003		422083-4	TUBE 3-190	1				
004		168396-6	BREATHER	1				
005		142150-6	TUBE COMPLETE	1				
	D10		INC. 6-8					
006		422074-5	TUBE 3-120	1				
007		424101-4	FUEL GROMMET	1				
008		422119-9	FUEL TUBE 3-300	1				
009		168398-2	PRIMER PUMP	1				
010		324616-0	HOSE CLAMP	1				
011		163447-0	FUEL FILTER	1			B3537	
011-1		163447-0	FUEL FILTER	1	O	B3537		
012		140831-6	TANK CAP COMPLETE	1				
	D10		INC. 13-15					
013		452697-5	TANK CAP KNOB	1				
014		213080-9	O RING 29.5	1			A9407	
014-1		213831-0	O-RING 29.5	1	<	A9407		
015		450957-9	STRAP	1				
016		266475-5	H.L.TAPPING SCREW 5.5X20	1				
017		452736-1	GRIP COVER	1				
018		452722-2	LOCK OFF LEVER	1				
019		452721-4	THROTTLE LEVER	1				
020		233590-0	TORSION SPRING 12	1				
021		452723-0	SWITCH LEVER	1				
022		256520-4	ROD 5	1				
023		452742-6	REAR INNER HOLDER	1				
024		266475-5	H.L.TAPPING SCREW 5.5X20	1				
025		424408-8	TANK GUARD	1				
026		140774-2	TANK COMPLETE	1				
	C10	898274-3	INDICATION LABEL	1				
	C20	264066-6	SQUARE NUT M5-10	4		Y06835		
027		424583-0	PLUG	1				
028		452742-6	REAR INNER HOLDER	1				
029		266475-5	H.L.TAPPING SCREW 5.5X20	1				
030		424404-6	REAR FOOT	1				
031		869686-7	EK7651H NAME PLATE	1			Z24538	
031-1		850G00-0	EK7651H NAME PLATE	1	O	Z24538		
033		452737-9	CLAMP	1				
034		424410-1	RUBBER CAP	1				
035		266687-0	TAPPING SCREW 5.5X45	1				
036		424410-1	RUBBER CAP	1				
037		266687-0	TAPPING SCREW 5.5X45	2				
038		266659-5	H.L. SOCKET HEAD BOLT M6X30	1				
039		331940-4	FRONT HANDLE	1				
040		452741-8	CENTER OUTER HOLDER	1				
041		234214-1	COMPRESSION SPRING 16	1				
042		266475-5	H.L.TAPPING SCREW 5.5X20	3				
043		346433-8	BOTTOM PLATE	1				
044		234213-3	COMPRESSION SPRING 13	1				
045		266659-5	H.L. SOCKET HEAD BOLT M6X30	1				
046		452740-0	FRONT INNER HOLDER	1				
047		318727-1	ROLLER 45	2				
048		257972-2	SLEEVE 6.5	2				
049		266660-0	H.L. SOCKET HEAD BOLT M6X35	2				
050		424405-4	FRONT FOOT	2				
051		266652-9	H.L. SOCKET HEAD BOLT M5X16	4			A8794	
051-1		266849-0	H.L. SOCKET HEAD BOLT M5X16	4	O	A8794		
052		318712-4	GUARD	1				
053		140903-7	TOP COVER COMPLETE	1				
	D10		INC. 54					
054		266692-7	THUMB SCREW M6X15	1				
056		141040-0	FILTER COVER COMPLETE	1				
	C10	893210-4	CAUTION LABEL	1				
	C20	893211-2	CAUTION LABEL	1				

Interchange
O : Yes
X : No
< : the new part can be substituted for the current.
> : the current part can be substituted for the new.
S : Interchangeable as a set.

VN	VIETNAM
-----------	----------------

EK7651H / POWER CUTTER

Item	Sub	Parts No.	Parts Description	Qty	I/C	E/C No.	Close No.	Remark
	D10		INC. 57,58					
057		424409-6	PLUG COVER	1				
058		424417-7	PACKING	1				
061		266656-1	H.L. SOCKET HEAD BOLT M5X40	4				
062		442165-6	AIR FILTER	1				
063		424399-3	INNER FILTER	1				
064		266127-8	+ TAPPING SCREW PT 3X20	2				
065		452739-5	SEPARATER COVER	1				
066		213459-4	O RING 32	1				
067		352012-2	SEPARATOR MESH	1				
068		266657-9	H.L. SOCKET HEAD BOLT M5X45	2				
069		452720-6	FILTER BRACKET	1				
070		442166-4	CARBURETOR GASKET	1				
071		326040-3	THROTTLE LINKAGE	1				
072		424407-0	RUBBER JOINT	1				
073		168653-2	CARBURETOR WT	1				
	D10		INC. 275-293,296-313,320-326			Y07077		
074		326041-1	CHOKE LINKAGE	1				
075		422077-9	TUBE 3-190	1				
076		422080-0	TUBE 3-35	1				
077		452952-5	HOSE JOINT	1				
078		422079-5	TUBE 3-45	1				
079		424418-5	SEAL	1				
080		422082-6	TUBE 3-130	1				
081		422081-8	TUBE 3-75	1				
082		452951-7	HOSE JOINT 4-4	1				
083		452799-7	HOSE JOINT 4-6	1				
084		452799-7	HOSE JOINT 4-6	1				
085		346397-6	GUIDE RING	1				
086		452724-8	CARBURETOR MOUNT	1				
087		424397-7	SUCTION LINE	1				
088		346495-6	HOSE CLAMP 30	1				
089		266654-5	H.L. SOCKET HEAD BOLT M5X25	2			A8794	
089-1		266852-1	H.L. SOCKET HEAD BOLT M5X25	2	O	A8794		
090		140898-4	ROCKER COVER COMPLETE	1				
	D10		INC. 91-93					
091		422073-7	TUBE 3-8	1				
092		318708-5	ROCKER COVER	1				
093		452726-4	OIL LINE	1				
094		345918-1	HOSE CLAMP	1				
095		422078-7	TUBE 5-70	1				
096		345918-1	HOSE CLAMP	1				
097		422076-1	TUBE 3-170	1				
098		126006-1	IGNITION COIL ASSEMBLY	1				
	D10		INC. 99-101					
099		424105-6	PLUG CAP	1				
100		125920-8	IGNITION COIL	1				
101		326148-3	PLUG CAP SPRING	1				
102		168652-4	SPARK PLUG	1				
103		125946-0	CYLINDER HEAD ASSEMBLY	1			Y07196	
	D10		INC. 104-106				Y07196	
103-1		135752-5	CYLINDER HEAD ASSEMBLY	1	<	Y07196	B2909	
	C10	125946-0	CYLINDER HEAD ASSEMBLY	1		Y07196	B2909	
	D10		INC. 104-106,108,109,112			Y07196	B2909	
	D20		INC. 116,119,120,265			Y07196	B2909	
103-2		135785-0	CYLINDER HEAD ASS'Y	1	S	B2909		
	C10	123772-1	CYLINDER HEAD ASSEMBLY	1		B2909		
	D10		INC. 104-106,108,109,112			B2909		
	D20		INC. 116,119,120,265			B2909		
104		140928-1	CYLINDER HEAD COMPLETE	1			B2909	
104-1		144051-4	CYLINDER HEAD COMPLETE	1	S	B2909		
105		331969-0	VALVE GUIDE	2				
106		424424-0	VALVE STEM SEAL	1				
107		266660-0	H.L. SOCKET HEAD BOLT M6X35	5				
108		234212-5	COMPRESSION SPRING 11	2				

Interchange
O : Yes
X : No
< : the new part can be substituted for the current.
> : the current part can be substituted for the new.
S : Interchangeable as a set.

VN	VIETNAM
-----------	----------------

EK7651H / POWER CUTTER

Item	Sub	Parts No.	Parts Description	Qty	I/C	E/C No.	Close No.	Remark
109		331966-6	RETAINER	2				
110		346400-3	ROCKER COVER GASKET	1			B2909	
110-1		161301-2	ROCKER COVER GASKET	1	<	B2909		
111		331937-3	EXHAUST PORT SPACER	1				
112		256201-0	PIN 5	1			A0801	
112-1		268310-3	PIN 5	1	O	A0801		
113		346399-2	MUFFLER GASKET	1				
114		168638-8	EXHAUST MUFFLER	1			B9375	
114-1		161532-3	EXHAUST MUFFLER	1	S	B9375		
115		266693-5	H.L. SOCKET HEAD BOLT M6X18	3			99847	
115-1		266693-5	H.L. SOCKET HEAD BOLT M6X18	3	<	99847		
116		126005-3	ROCKER ARM ASSEMBLY	2				
117		256526-2	PUSH ROD	2				
118		442167-2	CYLINDER HEAD GASKET	1				
119		331965-8	EXHAUST VALVE	1				
120		331964-0	INTAKE VALVE	1				
121		266659-5	H.L. SOCKET HEAD BOLT M6X30	1				
122		318729-7	CENTER INNER HOLDER	1				
123		140901-1	CYLINDER BLOCK COMPLETE	1			B1432	
123-1		123578-7	ENGINE BLOCK ASSY(FOR SERVICE)	1	<	B1432		
	C10	140901-1	CYLINDER BLOCK COMPLETE	1		B1432		
	D10		INC. 89,90,103,107,110,117,118			B1432		
	D20		INC. 126,127,132-138,140-146			B1432		
	D30		INC. 152-154,156-164,167-174			B1432		
	D40		INC. 184,185			B1432		
124		638776-5	LEAD UNIT	1				
125		266652-9	H.L. SOCKET HEAD BOLT M5X16	2			A8794	
125-1		266849-0	H.L.SOCKET HEAD BOLT M5X16	2	O	A8794		
126		256200-2	PIN 5	1				
127		125934-7	CAM GEAR ASSEMBLY	1			A5725	
	D10		INC. 128-131				A5725	
127-1		123299-1	CAM GEAR ASSEMBLY	1	<	A5725		
	D10		INC. 128-131			A5725		
128		140817-0	CAM GEAR COMPLETE	1				
129		233582-9	TORSION SPRING 9	1			A5725	
129-1		233623-1	TORSION SPRING 9	1	<	A5725		
130		346434-6	CAM GEAR PLATE	1				
131		318707-7	FLY WEIGHT	1				
132		256186-0	PIN 5	1				
133		313209-8	CAM LIFTER L	1				
134		313210-3	CAM LIFTER R	1				
135		442168-0	CAM GEAR GASKET	1				
136		318725-5	CAM GEAR COVER	1				
137		266652-9	H.L. SOCKET HEAD BOLT M5X16	4			A8794	
137-1		266849-0	H.L.SOCKET HEAD BOLT M5X16	4	O	A8794		
138		213599-8	OIL SEAL 17	1			Y06333	
138-1		213599-8	OIL SEAL 17	1	O	Y06333	B9286	
138-2		213091-4	OIL SEAL 17	1	<	B9286		
139		254001-2	WOODRUFF KEY 4	1				
140		140900-3	CRANKSHAFT COMPLETE	1			D0057	
140-1		127538-1	CRANKSHAFT ASSEMBLY	1	O	D0057		
141		233995-4	RING SPRING 12	2				
142		326039-8	PISTON PIN	1				
143		318726-3	PISTON	1			A9068	
143-1		197457-5	PISTON SET	1	<	A9068		
	C10	318726-3	PISTON	1		A9068		
	D10		INC. 141,144			A9068		
144		257332-8	SECOND RING	1			A8768	
144-1		197458-3	PISTON RING SET	1	<	A8768		
145		257333-6	OIL RING	1			A8768	
146		257331-0	TOP RING	1			A8768	
147		266659-5	H.L. SOCKET HEAD BOLT M6X30	1				
148		638777-3	LEAD UNIT	1				
149		232268-2	CONTACT SPRING	1				
150		318730-2	REAR OUTER HOLDER	1				

Interchange
O : Yes
X : No
< : the new part can be substituted for the current.
> : the current part can be substituted for the new.
S : Interchangeable as a set.

VN	VIETNAM
-----------	----------------

EK7651H / POWER CUTTER

Item	Sub	Parts No.	Parts Description	Qty	I/C	E/C No.	Close No.	Remark
151		234214-1	COMPRESSION SPRING 16	1				
152		266659-5	H.L. SOCKET HEAD BOLT M6X30	8				
153		424201-0	CHECK VALVE	2				
154		424406-2	GROMMET	1				
156		266652-9	H.L. SOCKET HEAD BOLT M5X16	3			A8794	
156-1		266849-0	H.L.SOCKET HEAD BOLT M5X16	3	O	A8794		
157		452738-7	OIL CASE GASKET	1				
158		345918-1	HOSE CLAMP	1				
159		422084-2	TUBE 5-55	1				
160		346398-4	LEAD VALVE	1				
161		318709-3	RETAINER PLATE	1				
162		266652-9	H.L. SOCKET HEAD BOLT M5X16	1			A8794	
162-1		266849-0	H.L.SOCKET HEAD BOLT M5X16	1	O	A8794		
163		345918-1	HOSE CLAMP	1				
164		168655-8	OIL TUBE COMPLETE	1				
	D10		INC. 165,166					
165		326177-6	OIL WEIGHT	1				
166		424384-6	OIL TUBE	1				
167		318710-8	OIL CASE	1				
168		346452-4	GASKET	1				
169		921412-3	HEX. BOLT M8X12	1				
170		266652-9	H.L. SOCKET HEAD BOLT M5X16	4			A8794	
170-1		266849-0	H.L.SOCKET HEAD BOLT M5X16	4	O	A8794		
171		213548-5	O-RING 20	1				
172		266862-8	H.L.S.H. BOLT M5X16 WITH WR	2				
173		452614-5	OIL PIPE	1				
174		140899-2	OIL CAP COMPLETE	1				
	D10		INC. 175					
175		424421-6	OIL CAP GASKET	1				
176		318704-3	FLYWHEEL	1				
177		264054-3	FLANGE NUT M10	1				
178		452617-9	CYLINDER COVER	1				
179		266652-9	H.L. SOCKET HEAD BOLT M5X16	1			A8794	
179-1		266849-0	H.L.SOCKET HEAD BOLT M5X16	1	O	A8794		
180		452616-1	FAN COVER	1				
181		266655-3	H.L. SOCKET HEAD BOLT M5X30	4				
182		266659-5	H.L. SOCKET HEAD BOLT M6X30	1				
183		318728-9	FRONT OUTER HOLDER	1				
184		267448-1	FLAT WASHER 41	1				
185		213598-0	OIL SEAL(L)	1			B9286	
185-1		213090-6	OIL SEAL(L)	1	<	B9286		
186		318711-6	CUTTING ARM	1			A5346	
186-1		319234-7	CUTTING ARM	1	S	A5346		
187		234214-1	COMPRESSION SPRING 16	1				
188		318730-2	REAR OUTER HOLDER	1				
189		266659-5	H.L. SOCKET HEAD BOLT M6X30	1				
190		266658-7	H.L. SOCKET HEAD BOLT M6X25	5				
191		225094-6	V BELT 5-800	1				
192		331970-5	SPACER17	1				
193		125945-2	CLUTCH DRUM ASSEMBLY	1				
	D10		INC. 194-196					
194		165636-3	CLUTCH DRUM	1				
195		962163-9	RETAINING RING R-35	1				
196		210138-5	BALL BEARING 6003LLU	1				
197		331970-5	SPACER17	1				
198		168656-6	CLUTCH COMPLETE	1			A1475	
	D10		INC. 199-201				A1475	
198-1		168834-8	CLUTCH COMPLETE	1	<	A1475		
	D10		INC. 199-201			A1475		
199		231871-6	TENSION SPRING 6	3			A1475	
199-1		231884-7	TENSION SPRING 6	3	<	A1475		
200		313207-2	CLUTCH SHOE	3				
201		313208-0	CLUTCH HOLDER	1				
202		893121-3	EK7651H MODEL NO.LABEL	1				
203		266792-3	H.L. SOCKET HEAD BOLT M5X18	3				

Interchange
O : Yes
X : No
< : the new part can be substituted for the current.
> : the current part can be substituted for the new.
S : Interchangeable as a set.

VN	VIETNAM
-----------	----------------

EK7651H / POWER CUTTER

Item	Sub	Parts No.	Parts Description	Qty	I/C	E/C No.	Close No.	Remark
204		125919-3	STARTER ASSEMBLY	1			D0280	
	D10		INC. 205-212				D0280	
204-1		125919-3	STARTER ASSEMBLY	1	O	D0280		
	D10		INC. 205-212			D0280		
205		424501-8	STARTER KNOB	1			Y07633	
205-1		SG00000060	STARTER KNOB	1	O	Y07633	D0280	
205-2		424501-8	STARTER KNOB	1	O	D0280		
206		332046-1	ROPE GUIDE	1			Y07632	
206-1		SG00000058	STARTER CASE COMPLETE	1	O	Y07632		
207		452613-7	STARTER CASE	1			Y07632	
208		232262-4	SPIRAL SPRING	1			Y07731	
208-1		SG00000014	SPIRAL SPRING	1	O	Y07731		
209		444040-2	STARTER ROPE	1			Y07633	
209-1		SG00000059	STARTER ROPE	1	O	Y07633		
210		424500-0	ROPE STOPPER	1			Y07633	
210-1		SG00000061	ROPE STOPPER	1	O	Y07633		
211		453466-7	REEL	1			Y07633	
211-1		SG00000015	REEL	1	O	Y07633		
212		266634-1	SET SCREW M6X20	1			Y07633	
212-1		SG00000013	SET SCREW M6X20	1	O	Y07633		
213		452930-5	HOLDER	1				
214		266653-7	H.L. SOCKET HEAD BOLT M5X20	3			A8794	
214-1		266847-4	H.L.SOCKET HEAD BOLT M5X20	3	O	A8794	B1562	
214-2		266851-3	H.L.BIND BOLT M5X20	3	<	B1562		
215		452621-8	CLUTCH COVER	1			A5346	
215-1		455559-6	CLUTCH COVER	1	S	A5346		
216		264080-2	HEX. LOCK NUT M10-17	1				
218		266784-2	H.L. SOCKET HEAD BOLT M5X12	3			A8794	
218-1		266859-7	H.L.SOCKET HEAD BOLT M5X12	3	O	A8794		
219		140816-2	RATCHET COMPLETE	1			B3222	
219-1		144100-7	RATCHET COMPLETE	1	O	B3222		
	C10	347089-0	RATCHET	2		B3222		
	C20	347090-5	RATCHET HOLDER	1		B3222		
	C30	251505-5	HEX. BOLT M5	2		B3222		
	C40	232333-7	TORSION SPRING 15	2		B3222		
224		266690-1	HEX. BOLT M8X25	1				
225		224443-4	FLANGE 102	1			B3222	
225-1		224478-5	FLANGE 102	1	O	B3222		
226		257312-4	RING17	1				
227		224443-4	FLANGE 102	1			B3222	
227-1		224478-5	FLANGE 102	1	O	B3222		
228		318746-7	PRESSURE RING	1				
229		442169-8	SLIDING DISC	1				
230		424426-6	RUBBER RING(INNER)	1				
231		266689-6	H.L.COLLAR BOLT M6	3			A8794	
231-1		266970-5	H.L.SOCKET HEAD COLLAR BOLT M6	3	O	A8794		
232		234216-7	COMPRESSION SPRING 8	3			B0779	
232-1		234374-9	COMPRESSION SPRING 8	3	O	B0779		
233		318722-1	CUTTING DEVICE	1				
234		213625-3	O-RING 9	1				
235		326038-0	LOCK SHAFT	1				
236		266688-8	HEX. BOLT M8	2			B6001	
236-1		266969-0	HEX. BOLT M8	2	<	B6001		
237		442169-8	SLIDING DISC	1				
238		346455-8	IMPACT PLATE	1				
239		424427-4	RUBBER RING(OUTER)	1				
240		266725-8	H.L.SOCKET HEAD BOLT M5X16	2			D3156	
240-1		265642-9	H.L.SOCKET HEAD BOLT M5X16	2	O	D3156		
241		452938-9	GRIP	1				
242		141042-6	HOOD COMPLETE	1			B4289	
	C10	893218-8	CAUTION LABEL	1			B4289	
242-1		141042-6	HOOD COMPLETE	1	O	B4289		
	C10	893218-8	CAUTION LABEL	1		B4289		
244		213162-7	O RING 14	1				
245		257971-4	RING 17	1				

Interchange
O : Yes
X : No
< : the new part can be substituted for the current.
> : the current part can be substituted for the new.
S : Interchangeable as a set.

VN	VIETNAM
-----------	----------------

EK7651H / POWER CUTTER

Item	Sub	Parts No.	Parts Description	Qty	I/C	E/C No.	Close No.	Remark
246		211281-3	BALL BEARING 6203LLU	1				
247		962157-4	RETAINING RING R-40	1				
248		326062-3	SPINDLE	1				
249		211281-3	BALL BEARING 6203LLU	1				
250		222174-9	V PULLEY 5-95.8	1				
251		266690-1	HEX. BOLT M8X25	1				
252		452698-3	BELT COVER	1			A5346	
252-1		455936-2	BELT COVER	1	S	A5346		
253		266691-9	TENSIONING SCREW M6	1			D3156	
253-1		265644-5	TENSIONING SCREW M6	1	O	D3156		
254		234215-9	COMPRESSION SPRING 6	1				
255		252157-5	SQUARE NUT M6	1				
256		346457-4	PLATE	1				
257		264081-0	HEX. NUT M8	2			A5346	
257-1		264055-1	COLLARED HEX. NUT M8	2	S	A5346		
258		424023-8	SPONGE SLEEVE 9	1				
259		346554-6	PLATE	1				
260		424316-3	CHECK VALVE	1				
261		166106-5	DUST BAG	1				
262		424499-9	RUBBER SLEEVE 22	1				
263		800E23-6	CAUTION LABEL	1				
264		346611-0	STARTER COVER GASKET	1				
265		331967-4	COTTER	4				
266		346589-7	MUFFLER GUARD	1			B9375	
267		266782-6	H.L.S. HEAD BOLT M5X16 WITH WG	2			B9375	
268		325665-0	JOINT PIPE	4				
269		331897-9	BALL	2				
270		897179-4	SERIAL NO. LABEL	1			Z24538	
270-1		850F72-9	SERIAL NO. LABEL	1	O	Z24538		
275		WJ00096589	SCREW ASSEMBLY	4		Y07077		
276		141943-8	METERING COVER ASSEMBLY	1		Y07077		
277		168620-7	METERING DIAPHRAGM	1		Y07077		
278		442183-4	METERING DIAPHRAGM GASKET	1		Y07077		
279		WJ00096475	SCREW	1		Y07077		
280		WJ00183498	THROTTLE LEVER	1		Y07077		
281		WJ00983707	SPRING	1		Y07077		
282		WJ00014886	BUSHING 148-86	1		Y07077		
283		WJ00148545	BUSHING	1		Y07077		
284		WJ00015631	THROTTLE SHAFT SEAL	1		Y07077		
285		WJ00088119	PLUG CAP	1		Y07077		
286		WJ00343480	CHOKE VALVE	1		Y07077		
287		WJ00096475	SCREW	1		Y07077		
288		5806122220	BALL	1		Y07077		
289		5806122210	SPRING	1		Y07077		
290		352010-6	INLET SCREEN	1		Y07077	Y07179	
290-1		WJ00014070	INLET SCREEN	1	O	Y07179		
291		WJ00009589	PUMP DIAPHRAGM	1		Y07077		
292		442192-3	PUMP GASKET	1		Y07077	Y07146	
292-1		WJ00092225	GASKET-PUMP	1	O	Y07146		
293		234183-6	CONICAL COMPRESSION SPRING 5-9	1		Y07077		
296		5106045250	SPRING	1		Y07077	Y07203	
296-1		WJ00098217	SPRING	1	O	Y07203		
297		WJ00096368	IDLE ADJUST SCREW	1		Y07077		
298		5016004110	SCREW	1		Y07077		
299		WJ00014477	METERING LEVER PIN	1		Y07077		
300		WJ00016648	LEVER	1		Y07077		
301		WJ00008282	INLET NEEDLE VALVE	1		Y07077		
302		234277-7	COMPRESSION SPRING 3	1		Y07077		
303		5416036160	PLUG-WELCH	1		Y07077		
304		WJ00088229	CUP PLUG	1		Y07077		
305		WJ00008995	BALL	1		Y07077		
306		WJ00160580	PISTON ASSEMBLY ACCELERATOR	1		Y07077		
307		WJ00983164	SPRING	1		Y07077		
308		WJ00096475	SCREW	1		Y07077		
309		5806122260	THROTTLE VALVE	1		Y07077		

Interchange
O : Yes
X : No
< : the new part can be substituted for the current.
> : the current part can be substituted for the new.
S : Interchangeable as a set.

