



VN	VIETNAM
----	---------

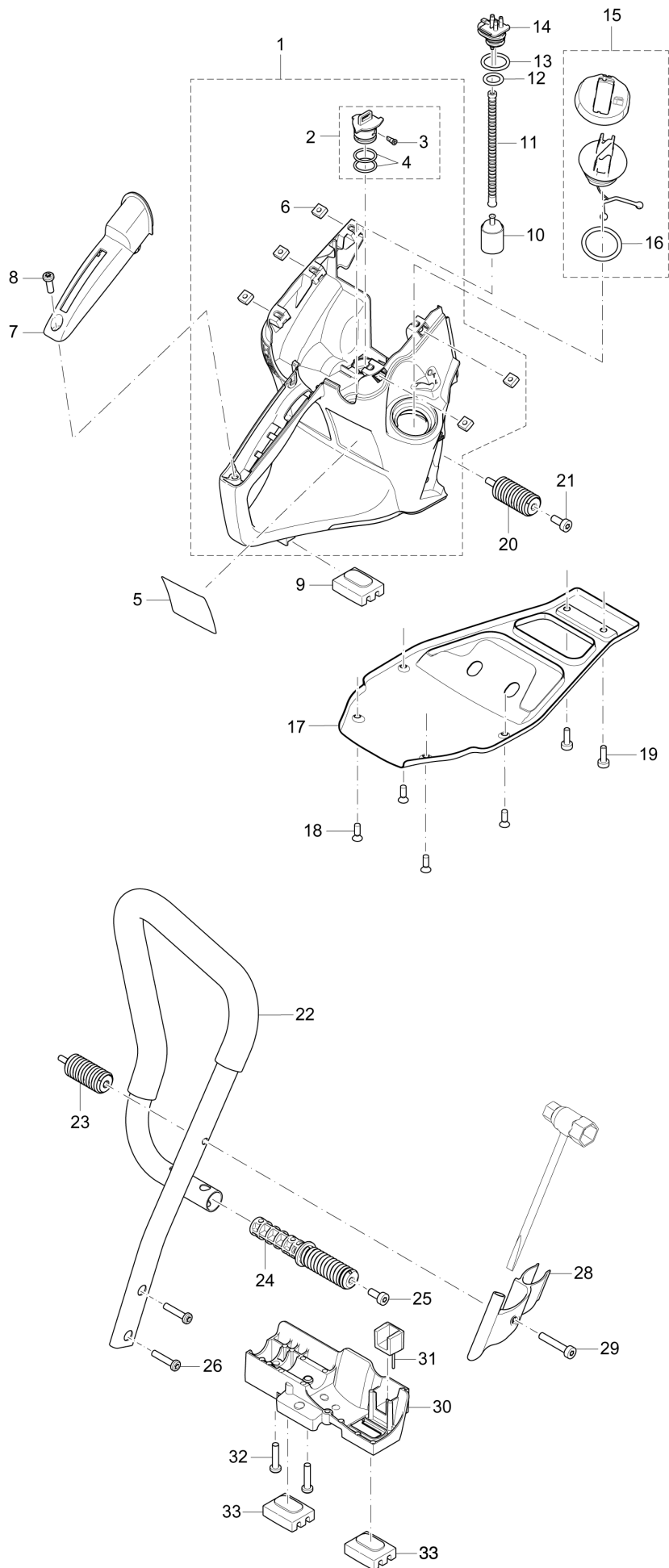
Diagram / Parts List

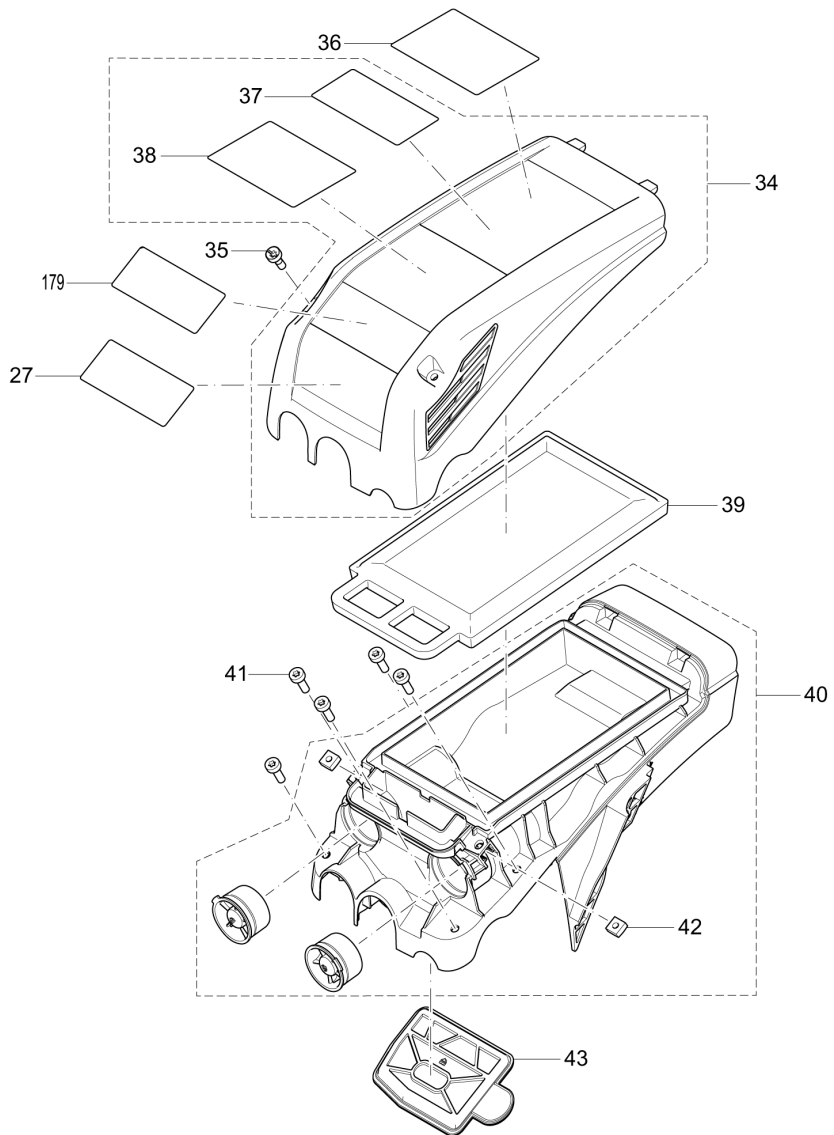
EK6101

POWER CUTTER

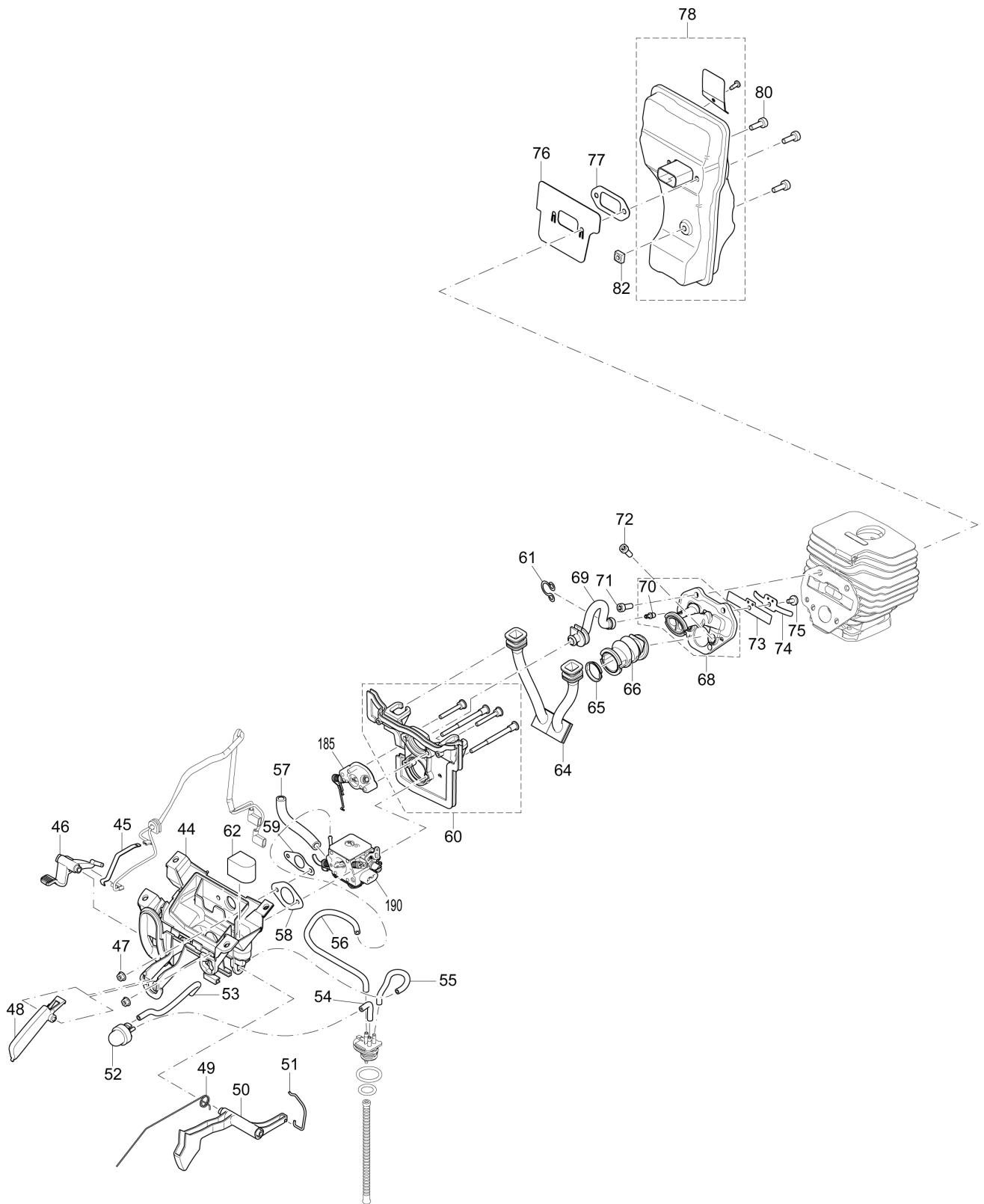


(VN) EK6101 / POWER CUTTER

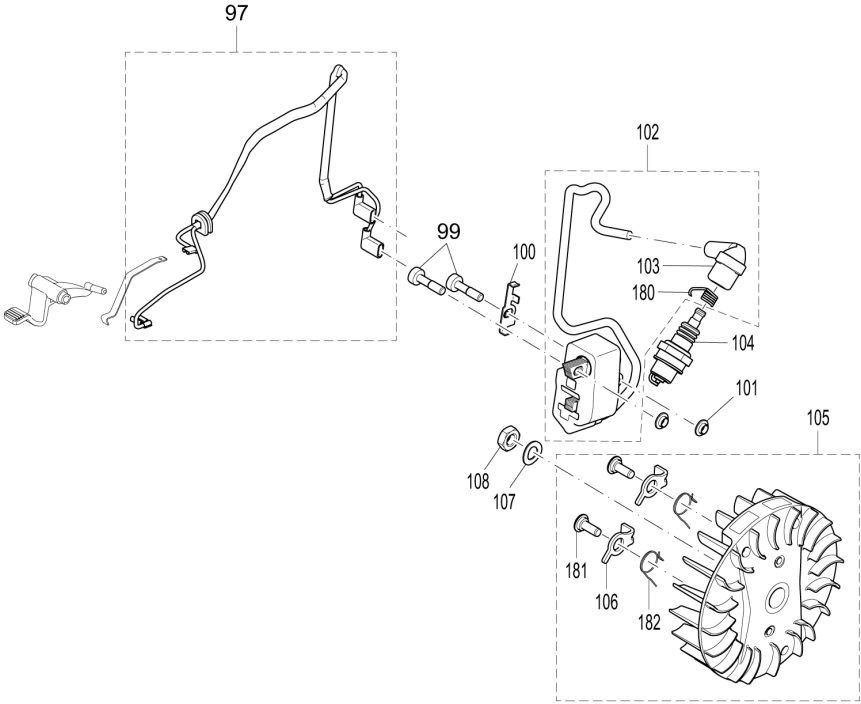
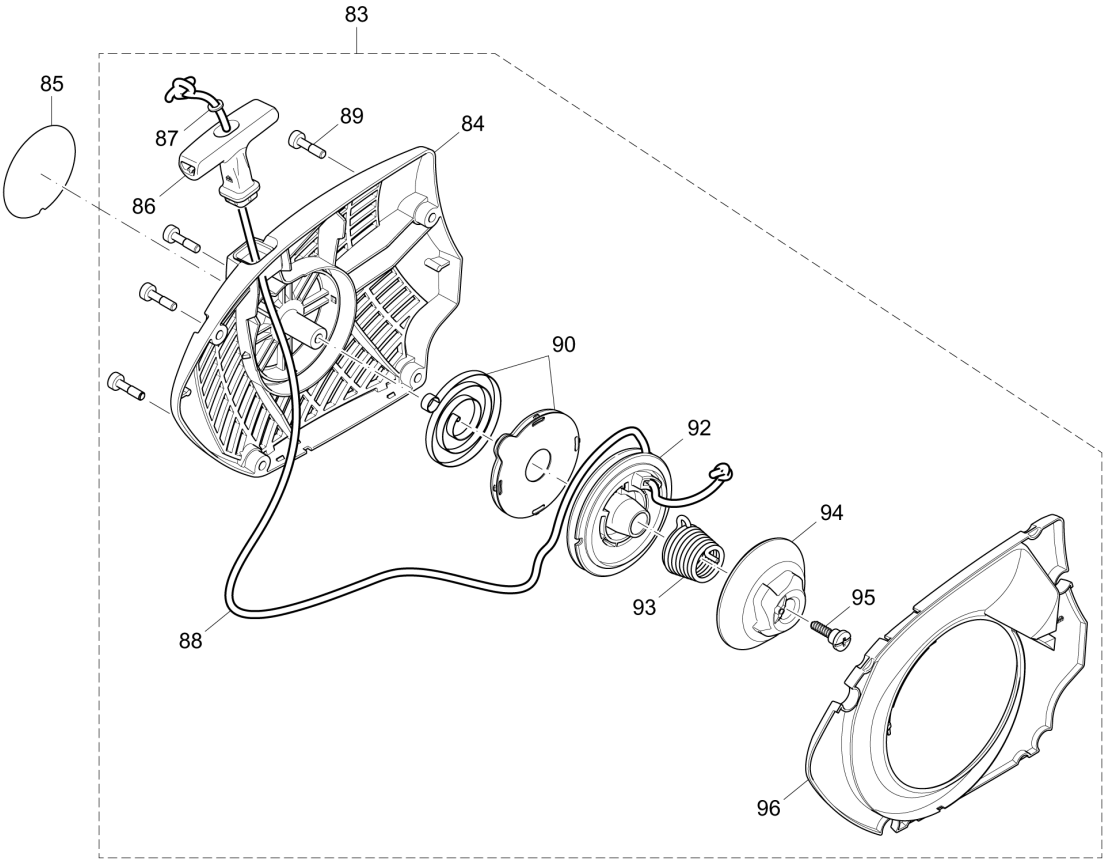




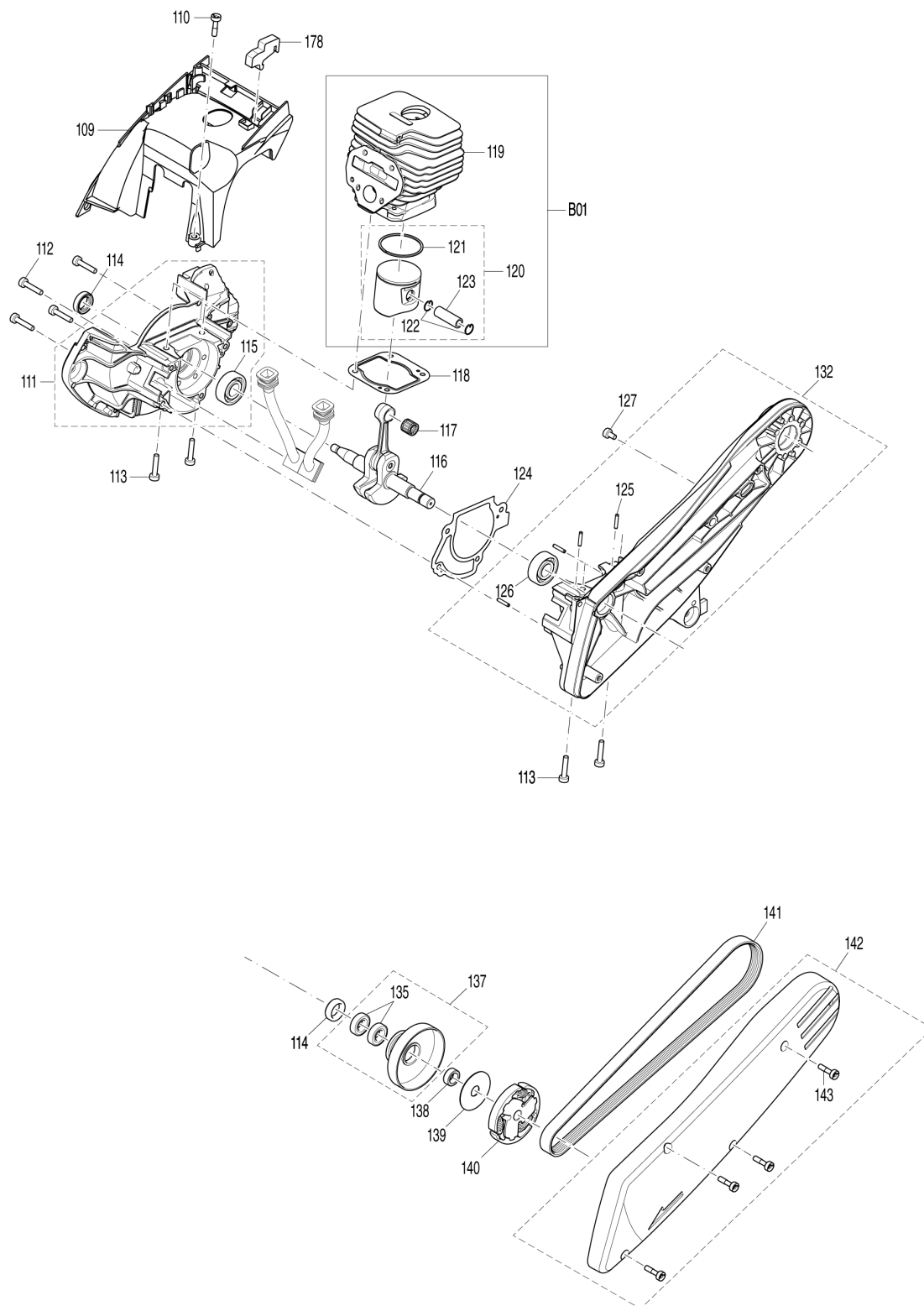
(VN) EK6101 / POWER CUTTER



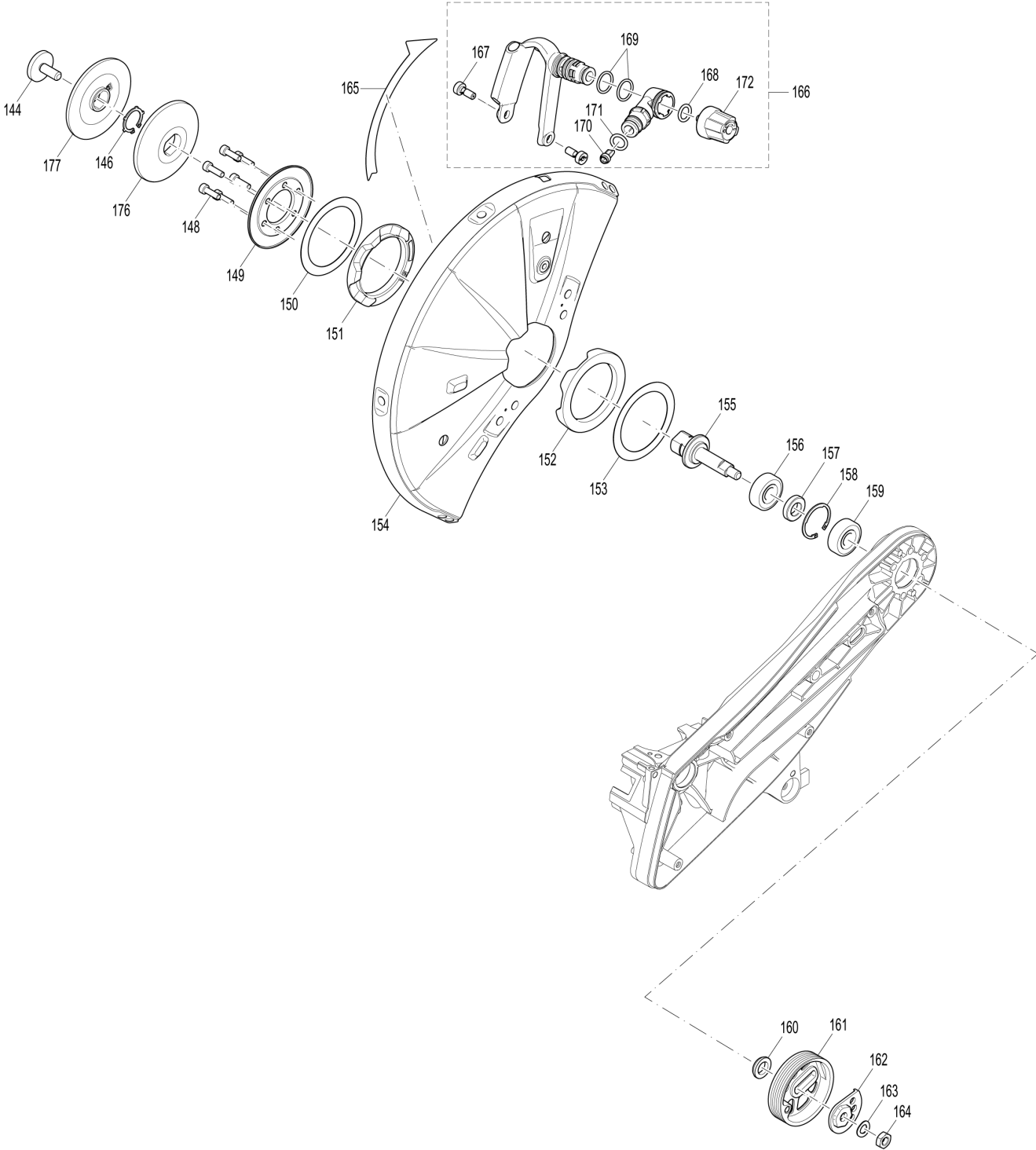
(VN) EK6101 / POWER CUTTER



(VN) EK6101 / POWER CUTTER



(VN) EK6101 / POWER CUTTER



VN	VIETNAM
-----------	----------------

EK6101 / POWER CUTTER

Item	Sub	Parts No.	Parts Description	Qty	I/C	E/C No.	Close No.	Remark
001		123476-5	FUEL TANK CPL. BLUE	1				
	D10		INC. 2					
002		143445-0	VALVE COVER CPL.	1				
	D10		INC. 3,4					
003		424170-5	VALVE	1				
004		213829-7	O-RING 17	2				
005		852C57-3	EK6101 NAME PLATE	1				
006		264108-6	SQUARE NUT M5	5				
007		456295-7	GRIP OUTER SHELL	1				
008		266478-9	H.L.TAPPING SCREW 5.5X16	1				
009		424781-6	RUBBER FOOT	1				
010		163499-1	SUCTION HEAD	1				
011		424782-4	FUEL LINE	1				
012		213826-3	O-RING 13	1				
013		213827-1	O-RING 20	1				
014		456299-9	NIPPLE	1				
015		141378-3	TANK CAP COMPLETE	1				
	D10		INC. 16					
016		213080-9	O RING 29.5	1				
017		346958-2	BOTTOM SHEET	1				
018		266991-7	H.L.TAPPING SCREW 5X15	4				
019		266605-8	H.L. SOCKET HEAD BOLT M5X16	2				
020		143461-2	DAMPING SPRING COMPLETE	2				
021		266950-1	H.L.SOCKET HEAD BOLT M6X14	2				
022		143442-6	TUBULAR HANDLE CPL.	1				
023		143460-4	DAMPING SPRING CPL.	1				
024		143462-0	DAMPING SPRING COMPLETE	1				
025		266950-1	H.L.SOCKET HEAD BOLT M6X14	1				
026		266475-5	H.L.TAPPING SCREW 5.5X20	2				
028		456297-3	CLAMP HANDLE	1				
029		266990-9	H.L. SOCKET HEAD BOLT M6X35	1				
030		319369-4	STAND SUPPORT	1				
031		424788-2	DAMPER	1				
032		266475-5	H.L.TAPPING SCREW 5.5X20	2				
033		424781-6	RUBBER FOOT	2				
034		143451-5	FILTER COVER CPL.	1				
	D10		INC. 37,38					
035		266947-0	H.L. SOCKET HEAD BOLT M5X14	2				
036		807L79-2	CAUTION LABEL	1				
037		807F55-0	WARNING SYMBLOS	1				
038		807F56-8	START PROCEDURE LABEL	1				
039		424789-0	AIR FILTER	1				
040		143490-5	HOOD CPL. BLUE	1				
	D10		INC. 42					
041		266605-8	H.L. SOCKET HEAD BOLT M5X16	5				
042		264108-6	SQUARE NUT M5	2				
043		424790-5	INNER FILTER	1			C3850	
043-1		422201-4	SEALING INTAKE MANIFOLD	1	<	C3850		
044		456291-5	INTAKE MANIFOLD	1				
045		346957-4	CONTACT SPRING	1				
046		456292-3	CHOKE LEVER	1				
047		264119-1	HEXAGONAL NUT M4	4				
048		456294-9	CATCH LEVER	1				
049		233631-2	SPRING	1				
050		456293-1	THROTTLE LEVER	1				
051		326621-3	THROTTLE LINKAGE	1				
052		168398-2	PRIMER PUMP	1				
053		424785-8	VITON TUBE L=122mm	1				
054		424783-2	VITON TUBE L=40mm	1				
055		424784-0	VITON TUBE L=84mm	1				
056		424786-6	VITON TUBE L=200mm	1				
057		424787-4	TUBE. VITON 10X6 L=82MM	1				
058		346956-6	GASKET INTAKE MANIFOLD	1				
059		346955-8	GASKET AIR VALVE	1				
060		143440-0	INTERMEDIATE WALL CPL.	1				

Interchange
O : Yes
X : No
< : the new part can be substituted for the current.
> : the current part can be substituted for the new.
S : Interchangeable as a set.

VN	VIETNAM
-----------	----------------

EK6101 / POWER CUTTER

Item	Sub	Parts No.	Parts Description	Qty	I/C	E/C No.	Close No.	Remark
061		282028-2	TUBE CLIP	1	S		B1732	
062		424780-8	FOAM INSERT	1				
064		424777-7	SUCTION PIPE	2				
065		346867-5	GUIDE RING	1				
066		424778-5	SUCTION HOSE	1				
068		143439-5	AIR HOSE CPL.	1				
	D10		INC. 70					
069		424795-5	IMPULSE LINE	1				
070		324999-8	NIPPLE	1			B1732	
070-1		326770-6	NIPPLE	1	S	B1732		
071		266986-0	H.L. SOCKET HEAD BOLT M5X14	2			D3581	
071-1		251577-0	H.L. SOCKET HEAD BOLT M5X16	2	S	D3581		
072		266986-0	H.L. SOCKET HEAD BOLT M5X14	2			D3581	
072-1		251577-0	H.L. SOCKET HEAD BOLT M5X16	2	S	D3581		
073		346951-6	REEDVALVE	1				
074		310674-2	VALVE STOPPER	1				
075		266985-2	H.L. SOCKET HEAD BOLT M4X8	1				
076		346959-0	COOLING PLATE	1				
077		346876-4	MUFFLER GASKET	1				
078		161392-3	MUFFLER CPL.	1				
080		266605-8	H.L. SOCKET HEAD BOLT M5X16	3				
082		264108-6	SQUARE NUT M5	1				
083		143454-9	STARTING DEVICE BLUE CPL.	1				
	D10		INC. 84,86-96					
084		143455-7	STARTER HOUSING BLUE CPL.	1				
085		806K78-5	MAKITA LOGO LABEL	1				
086		452458-3	STARTER GRIP	1				
087		267862-1	SPRING WASHER 5	1				
088		424797-1	STARTER ROPE D=4.0 L=1000	1				
089		266938-1	H.L. SOCKET HEAD BOLT M5X20	4				
090		140587-1	REWIND SPRING COMPLETE	1				
092		456308-4	CABLE DRUM	1				
093		234193-3	SPRING EASY START	1				
094		456309-2	DRIVER EASY START	1				
095		266616-3	SCREW	1				
096		456307-6	AIR GUIDE PLATE	1				
097		161390-7	SHORT-CIRCUIT CABLE	1				
099		266472-1	TORX SOCKET HEAD BOLT M5X20	2			Y07495	
099-1		266472-1	TORX SOCKET HEAD BOLT M5X20	2	O	Y07495		
100		346954-0	EARTH SHEET	1				
101		451462-9	ISOLATING WASHER	2				
102		123479-9	IGNITION COIL CPL.	1			DB428	
	D10		INC. 103,180				DB428	
102-1		123479-9	IGNITION COIL CPL.	1	O	DB428		
	D10		INC. 103,180			DB428		
103		424706-0	PLUG CAP	1				
104		168517-0	SPARK PLUG	1				
105		143450-7	FLYWHEEL COMPLETE	1				
	D10		INC. 106,181,182					
106		346953-2	RATCHET	2				
107		267822-3	SPRING WASHER 8	1				
108		264022-6	HEX. NUT M8X1	1				
109		456289-2	COOLING HOOD	1				
110		266942-0	H.L. SOCKET HEAD BOLT M5X20	1				
111		143437-9	CRANKCASE MS CPL.	1				
	D10		INC. 115					
112		266984-4	H.L. SOCKET HEAD BOLT M5X25	4				
113		266984-4	H.L. SOCKET HEAD BOLT M5X25	4				
114		213814-0	RADIAL RING	2				
115		211154-0	BALL BEARING 6202	1				
116		143435-3	CRANK SHAFT COMPLETE	1				
117		212164-0	NEEDLE CAGE	1				
118		346950-8	CYLINDERBASE GASKET	1				
119		319375-9	CYLINDER 47	1				
120		143436-1	PISTON COMPLETE	1			C2515	

Interchange
O : Yes
X : No
< : the new part can be substituted for the current.
> : the current part can be substituted for the new.
S : Interchangeable as a set.

VN	VIETNAM
-----------	----------------

EK6101 / POWER CUTTER

Item	Sub	Parts No.	Parts Description	Qty	I/C	E/C No.	Close No.	Remark
	D10		INC. 121,122,123				C2515	
120-1		143436-1	PISTON COMPLETE	1	S	C2515	D3023	
	D10		INC. 121,122				D3023	
120-2		191L97-3	PISTON SET	1	<	D3023		
	D10		INC. 121,122,123,192				D3023	
121		257384-9	PISTON RING D47	1				
122		234390-1	CIRCLIP 11	2			C2515	
122-1		234390-1	CIRCLIP 11	1	S	C2515		
123		257846-7	PISTON PIN	1			C2515	
123-1		257846-7	PISTON PIN	1	S	C2515		
124		346966-3	CRANK CASE GASKET	1				
125		258038-1	CLAMPING PIN	4				
126		211154-0	BALL BEARING 6202	1				
127		266474-7	H.L. SOCKET HEAD BOLT M5X9	1				
132		143449-2	CRANKCASE CS CPL.	1				
	D10		INC. 125,126					
135		211168-9	BALL BEARING 6901	2				
137		161387-6	CLUTCH DRUM CPL.	1				
	D10		INC. 135					
138		257385-7	SPACER	1				
139		267389-1	FLAT WASHER 12	1				
140		168510-4	CLUTCH COMPLETE	1				
141		424799-7	POLY-V-BELT 6PJ 716 ELAST	1				
142		143438-7	BELT COVER MAKITA CPL.	1				
	D10		INC. 143					
143		266942-0	H.L. SOCKET HEAD BOLT M5X20	4				
144		266976-3	HEX. BOLT M8X25	1				
146		234389-6	RETAINING RING 20X1.2	1				
148		266986-0	H.L. SOCKET HEAD BOLT M5X14	6			D3581	
148-1		251577-0	H.L. SOCKET HEAD BOLT M5X16	6	O	D3581		
149		319373-3	PRESSURE RING	1				
150		424792-1	SLIDING DISK	1				
151		424794-7	RUBBER RING INSIDE	1				
152		424793-9	RUBBER RING OUTSIDE	1				
153		424792-1	SLIDING DISK	1				
154		143459-9	PROTECTION HOOD 350 CPL.	1			D2702	
154-1		140V94-6	HOOD COMPLETE	1	<	D2702		
	D10		INC. 165				D2702	
155		326623-9	AXLE 20.0	1				
156		210148-2	BALL BEARING 6201LLU	1			C7732	
156-1		211137-0	BALL BEARING 6201LLU	1	O	C7732		
157		257386-5	SPACER	1				
158		234388-8	RETAINING RING 32X1.2	1				
159		210148-2	BALL BEARING 6201LLU	1			C7732	
159-1		211137-0	BALL BEARING 6201LLU	1	O	C7732		
160		216217-7	WASHER	1				
161		222188-8	PULLEY PJ6	1				
162		310675-0	ECCENTRIC DISK	1				
163		267822-3	SPRING WASHER 8	1				
164		264022-6	HEX. NUT M8X1	1				
165		807G52-2	CAUTION LABEL	1				
166		143452-3	WATER SET CPL.	1			Y07599	
	D10		INC. 167-172				Y07599	
166-1		183J43-8	WATER ATTACHMENT SET	1	<	Y07599		
	C10	143452-3	WATER SET CPL.	1		Y07599		
	D10		INC. 167-172				Y07599	
167		266994-1	JET SCREW	2				
168		213828-9	O-RING 11	1				
169		213584-1	O-RING 16	2				
170		424791-3	WATER FILTER	1				
171		213828-9	O-RING 11	1				
172		266993-3	REGULATING SCREW	1				
176		319371-7	PRESSURE DISC 20.0	1				
177		319372-5	PRESSURE DISC 25.4	1				
178		424796-3	STOPPER	1				

Interchange
O : Yes
X : No
< : the new part can be substituted for the current.
> : the current part can be substituted for the new.
S : Interchangeable as a set.

