



**EH6000S**  
**EH7500S**

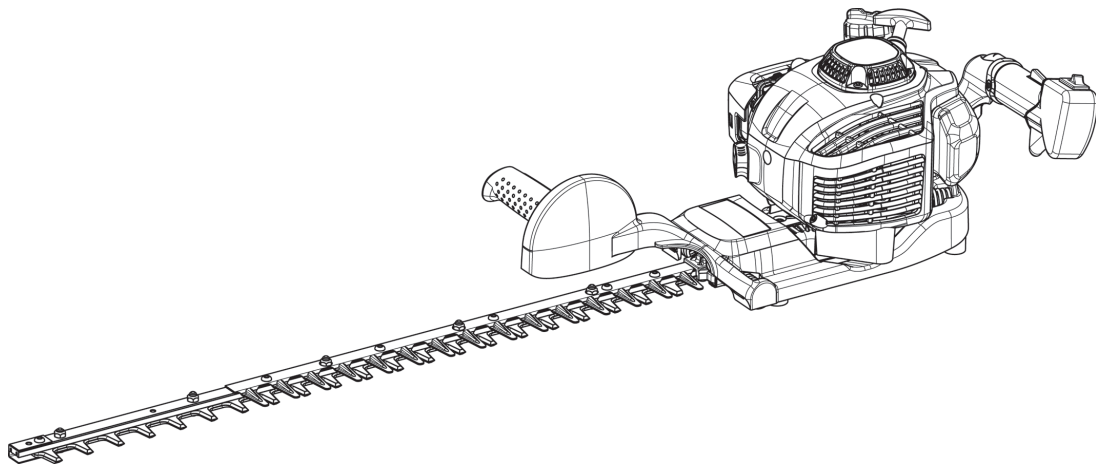
**GB** **PETROL HEDGE TRIMMER**

**TH** เครื่องเล็มแนวรั้วพุ่มไม้ชนิดใช้น้ำมันเบนซิน

**ID** **PEMANGKAS TANAMAN PAGAR BERBAHAN BAKAR BENSIN**

**VI** **MÁY TỈA CÀNH CẦM TAY HOẠT ĐỘNG BẰNG ĐỘNG CƠ XĂNG**

**INSTRUCTION MANUAL**  
คู่มือการใช้งาน  
**PETUNJUK PENGGUNAAN**  
**HƯỚNG DẪN SỬ DỤNG**



**WARNING:**

To reduce the RISK of injury, user must read and understand the instruction manual before using the Hedge Trimmer. Manufacturer reserves the right to change specifications without notice. Specifications may differ from country to country. Do only hand over the Hedge Trimmer together with this manual.

**คำเตือน:**

เพื่อลดความเสี่ยงของการได้รับบาดเจ็บ ผู้ใช้ต้องอ่านและทำความเข้าใจคู่มือการใช้งานก่อนใช้เครื่องเล็มแนวรั้วพุ่มไม้ ผู้ผลิตขอสงวนสิทธิ์ในการเปลี่ยนแปลงข้อมูลจำเพาะโดยไม่ต้องแจ้งให้ทราบล่วงหน้า ข้อมูลจำเพาะอาจแตกต่างกันในแต่ละประเทศ จึงควรแนบเฉพาะคู่มือนี้ไปพร้อมกับเครื่องเล็มแนวรั้วพุ่มไม้

**PERHATIAN:**

Untuk mengurangi risiko terjadinya cedera, pengguna harus membaca dan memahami petunjuk penggunaan ini sebelum menggunakan Pemangkas Tanaman Pagar. Produsen mempunyai hak untuk mengubah spesifikasi tanpa pemberitahuan. Spesifikasi dapat berbeda dari negara ke negara. Pemangkas Tanaman Pagar harus diberikan beserta petunjuk ini.

**CẢNH BÁO**

Để giảm RỦI RO của chấn thương, người dùng phải đọc và hiểu quy trình hướng dẫn trước khi sử dụng máy tỉa cành. Hãng sản xuất bảo lưu quyền thay đổi các thông số kỹ thuật mà không cần thông báo. Các thông số kỹ thuật áp dụng khác nhau theo từng quốc gia khác nhau. Máy tỉa cành được bán kèm với sách hướng dẫn này.

Thank you very much for selecting the MAKITA Hedge Trimmer. We are pleased to be able to offer you the MAKITA Hedge Trimmer which is the result of a long development program and many years of knowledge and experience.

The Hedge Trimmer models EH6000S, EH7500S combines the advantages of state-of-the-art technology with ergonomic design, they are light weight, handy, compact and represent professional equipment for a great variety of applications.

**Please read, understand and follow this booklet which refers in detail to the various points that will demonstrate its outstanding performance. This will assist you to safely obtain the best possible results from your MAKITA Hedge Trimmer.**



Table of Contents	Page
Symbols.....	3
Safety instructions.....	4
Technical data.....	7
Designation of parts.....	8
Fuels/refueling.....	9
Precautions before starting.....	10
Starting the machine.....	11
Stopping the machine.....	11
Operation of the machine.....	12
Maintenance instructions.....	13
Storage.....	16
Maintenance schedule.....	16
Fault location.....	16

## SYMBOLS

It is very important to understand the following symbols when reading this instructions manual.

	WARNING/DANGER		Fuel and oil mixture
	Read, Understand and Follow Instruction Manual		Engine-Manual start
	Forbidden		Emergency stop
	No smoking		First Aid
	No open flame		Recycling
	Protective gloves must be worn		ON/START
	Keep the area of operation clear of all persons and pets		OFF/STOP
	Wear protective helmet, eye and ear protection!		

# SAFETY INSTRUCTIONS

## General Instructions

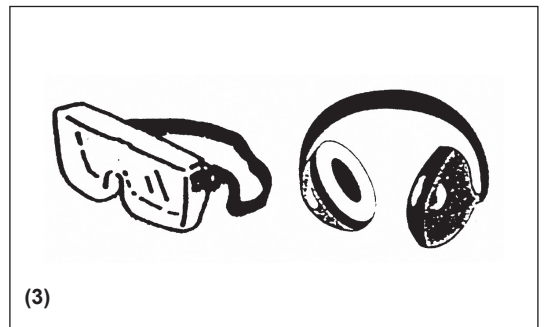
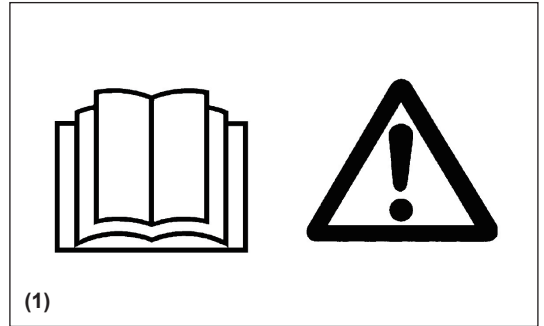
- THIS MACHINE CAN CAUSE SERIOUS INJURIES. Read the Instructions carefully for the correct handling, preparation, maintenance, starting and stopping of the machine. Be familiar with all controls and the proper use of the machine. (1)
- It is recommended only to loan the Hedge Trimmer to people who have proven to be experienced with Hedge Trimmers. Always hand over the instruction manual.
- First-time users should ask the dealer for basic instructions to familiarize themselves with the handling of an engine powered Hedge Trimmer.
- Children and young persons aged under 18 years must not be allowed to operate the Hedge Trimmer. Persons over the age of 16 years may however use the device for the purpose of being trained only while under the supervision of a qualified trainer.
- Use the Hedge Trimmer with the utmost care and attention.
- Operate the Hedge Trimmer only if you are in good physical condition. Perform all work calmly and carefully. The user has to accept liability for others.
- Never use the Hedge Trimmer after consumption of alcohol or drugs, or if feeling tired or ill. (2)

## Intended use of the machine

- The Hedge Trimmer is only designed for the purpose of trimming bushes and hedges, and must not be used for any other purpose. Do Not abuse the Trimmer.

## Personal protective equipment

- The clothing worn should be functional and appropriate, i.e. it should be tight-fitting but not cause hindrance. Do not wear jewelry or loose clothing which could become entangled with bushes or shrubs, or the machine.
- In order to avoid eye, hand or foot injuries as well as to protect your hearing, the following protective equipment and protective clothing must be used during operation of the Hedge Trimmer.
- During operation of the Hedge Trimmer always wear goggles or a visor to prevent eye injuries. (3)
- Wear adequate noise protection equipment to avoid hearing impairment, ear muffs, ear plugs, etc. (3)
- We strongly recommend that the user wears work overalls. (4)
- Special gloves made of thick leather are part of the prescribed equipment and must always be worn during operation of the Hedge Trimmer. (4)
- When using the Hedge Trimmer, always wear sturdy shoes with a non-slip sole. This protects against injuries and ensures a good footing. (4)



## Starting up the Hedge Trimmer

- Please make sure that there are no children or other people within a working range of 15 meters (5), also pay attention to any animals in the working vicinity.
- Before operating, always check that the Hedge Trimmer is safe for operation:
- Check the security of the throttle lever. The throttle lever should be checked for smooth and easy action. Check for proper functioning of the throttle lever lock. Check for clean and dry handles and test the function of the I-O Switch. Keep handles free of oil and fuel.

Start the Hedge Trimmer only in accordance with the instructions.

### Do not use any other methods for starting the engine (6)!

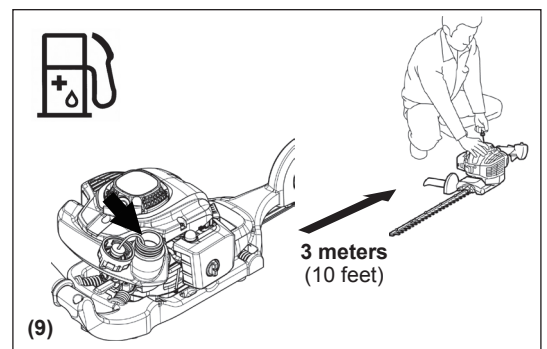
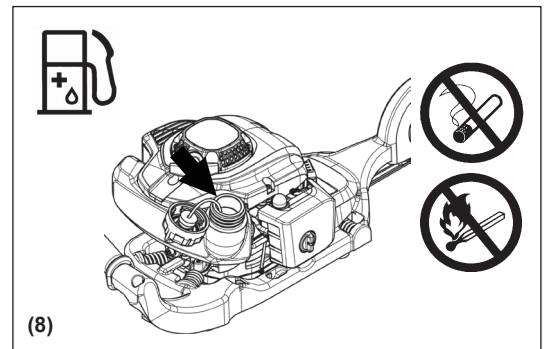
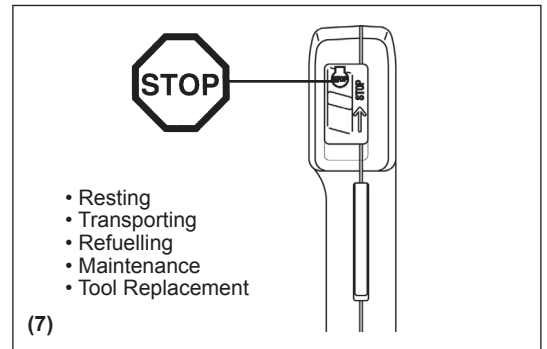
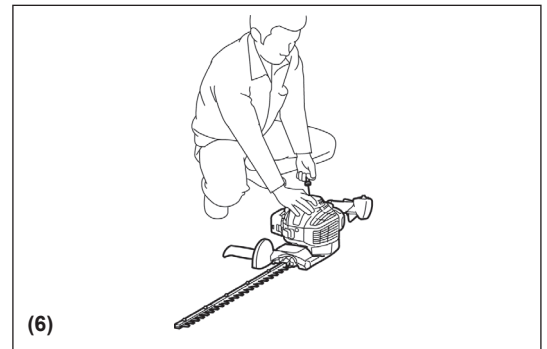
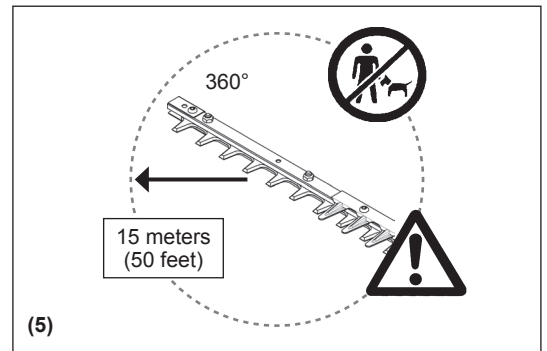
- Use the Hedge Trimmer only for applications specified.
- Start the Hedge Trimmer engine only after the entire assembly is done. Operation of the Hedge Trimmer is permitted only after all the appropriate accessories are attached!
- Before starting, make sure that the cutter blade will not contact any objects such as branches, stones, etc.
- The engine is to be stopped immediately if there are any engine problems.
- When working with the Hedge Trimmer, keep both hands on handles always wrap your fingers tightly around the handle, keeping the control handle cradled between your thumb and forefinger. Keep your hand in this position to have your machine under control at all times. Make sure your control handle is in good condition and free of moisture, pitch, oil or grease.

### Always ensure a safe, well-balanced footing.

- Only use outdoors.
- Always be aware of your surroundings and stay alert for possible hazards that you may not hear due to the noise of the machine.
- Operate the Hedge Trimmer in such a manner as to avoid inhalation of the exhaust gases. Never run the engine in enclosed rooms (risk of suffocation and gas poisoning). Carbon monoxide is an odorless gas. Always ensure there is adequate ventilation.
- Stop the engine when resting and when leaving the Hedge Trimmer unattended. Place it in a safe location to prevent danger to others, setting fire to combustible materials or damage to the machine.
- Never lay down the hot Hedge Trimmer onto dry grass or onto any combustible materials.
- To reduce fire hazard keep engine and silencer free of debris, leaves, or excessive lubricant;
- Never operate the engine with a faulty exhaust muffler.
- Stop the engine during transport (7).
- Stop the engine or disconnect from mains before:
- Cleaning or when cleaning a blockage;
- Checking, maintenance or working on the machine.
- Position the Hedge Trimmer safely during car or truck transportation to avoid fuel leakage.
- When transporting the Hedge Trimmer ensure that the fuel tank is completely empty to avoid fuel leakage.
- When transporting or storing the machine always fit the cutting device guard.

## Refuelling

- Stop the engine before refuelling (7), keep well away from open flame (8) and do not smoke.
- Do not attempt to refuel a hot or a running engine.
- Avoid skin contact with petroleum products. Do not inhale fuel vapor. Always wear protective gloves during refuelling. Change and clean protective clothing at regular intervals.
- Take care not to spill either fuel or oil in order to prevent soil contamination (environmental protection). Clean the Hedge Trimmer immediately after fuel has been spilled. Allow wet cloths to dry before disposing in proper, covered container to prevent spontaneous combustion.
- Avoid any fuel contact with your clothing. Change your clothing immediately if fuel has been spilled on it (danger hazard).
- Inspect the fuel cap at regular intervals making sure that it stays securely fastened.
- Carefully tighten the fuel tank cap. Change locations to start the engine (at least 3 meters away from the place of refuelling) (9).
- Never refuel in closed rooms. Fuel vapors accumulate at ground level (risk of explosions).
- Only transport and store fuel in approved containers. Make sure stored fuel is not accessible to children.
- When mixing gasoline with two-stroke engine oil, use only gasoline which contains no ethanol or methanol (types of alcohol). This will help to prevent damage to fuel lines and other engine parts.



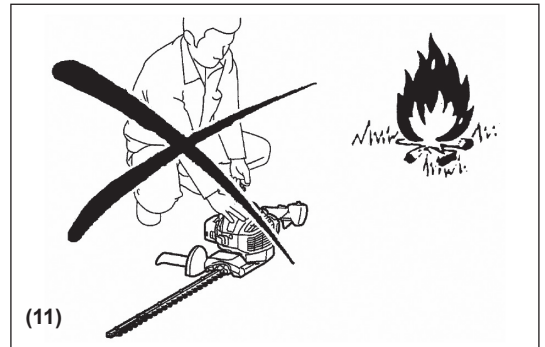
## Method of operation

- Always use two hands to grip each handles during operation.
- Use the Hedge Trimmer only in good light and visibility. During cold seasons beware of slippery or wet areas, ice and snow (risk of slipping). Always ensure a safe footing.
- Never work on unstable surfaces or steep terrain.
- Never stand on a ladder and run the Hedge Trimmer.
- Never climb up into trees to perform cutting operation with the Hedge Trimmer.
- To reduce the risk of stumbling and loss of control, do not walk backward while operating the machine.
- Always stop the engine before cleaning or servicing the unit or replacing parts.
- Do not operate the machine with a damaged or excessively worn cutting device.



## Maintenance instructions

- Be kind to the environment. Operate the Hedge Trimmer with as little noise and pollution as possible. In particular check the correct adjustment of the carburetor.
- Clean the Hedge Trimmer at regular intervals and check that all screws and nuts are securely tightened.
- Never service or store the Hedge Trimmer in the vicinity of open flames, sparks, etc. (11).
- Always store the Hedge Trimmer in a well-ventilated locked room and with an emptied fuel tank out of reach of children.
- Do not attempt to repair the machine unless you are qualified to do so.



**Observe and follow all relevant accident prevention instructions issued by the trade associations safety board and by insurance companies.**

**Do not perform any modifications to the Hedge Trimmer as this will risk your safety.**

The performance of maintenance or repair work by the user is limited to those activities as described in this instruction manual. All other work is to be done by Authorized Service Agents.

Use only genuine spare parts and accessories supplied by MAKITA authorized or factory service centers.

Use of non-approved accessories and tools means increased risk of accidents and injuries. MAKITA will not accept any liability for accidents or damage caused by the use of any non-approved accessories.

## First aid

In case of an accident make sure that a well-stocked first-aid kit according to DIN 13164, is available in the vicinity of the cutting operations. Immediately replace any item taken from the first aid kit.

**When asking for help, please give the following information:**

- Place of accident
- What happened
- Number of injured persons
- Extend of injuries
- Your name



## Packaging

The MAKITA Hedge Trimmer is delivered in a protective cardboard box to prevent shipping damage. Cardboard is a basic raw material and is therefore consequently reusable or suitable for recycling (waste paper recycling).

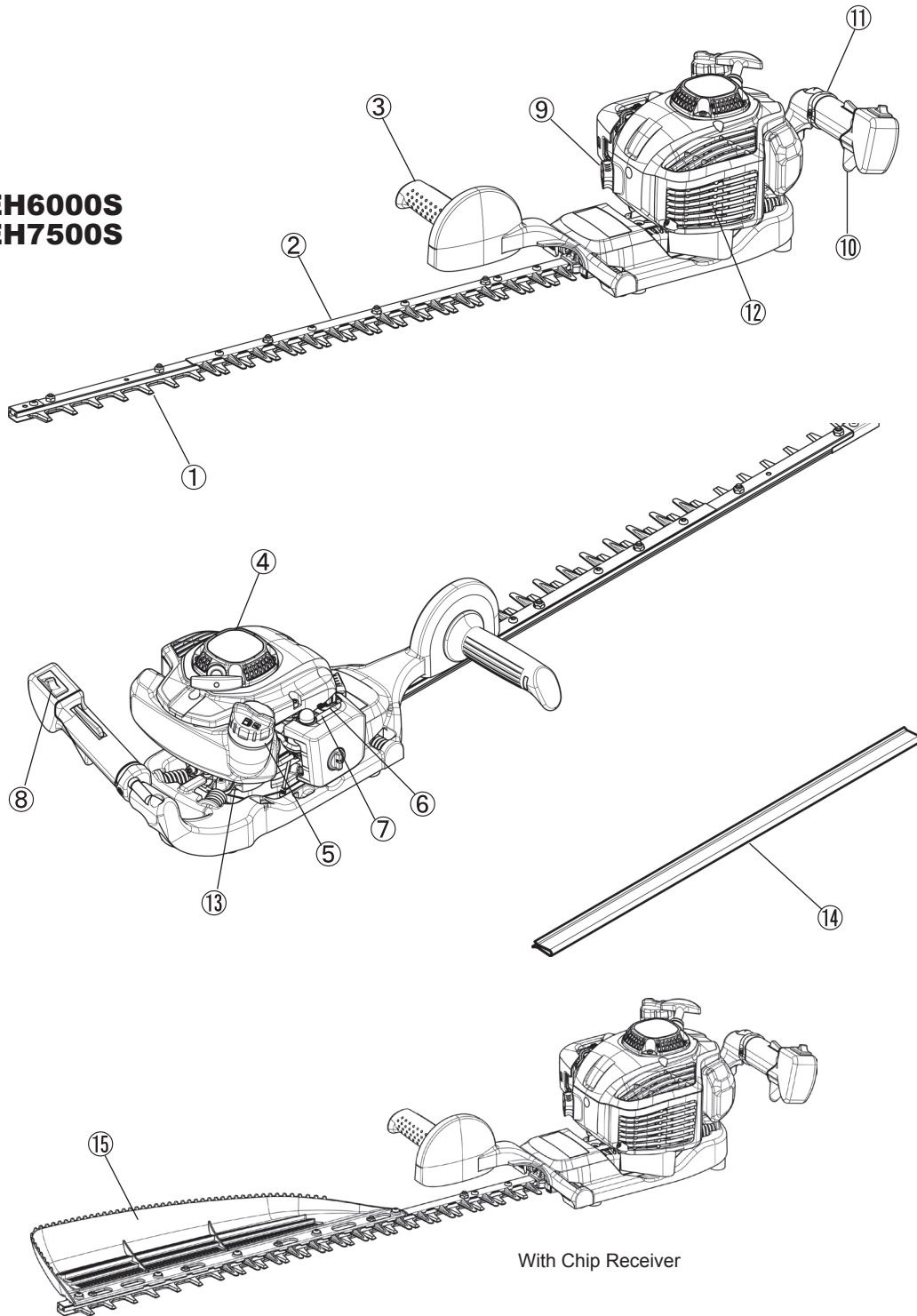


## TECHNICAL DATA

Model		EH6000S		EH7500S	
			With Chip Receiver		With Chip Receiver
Dimension (L x W x H)	mm	1,010 x 323 x 212		1,150 x 323 x 212	
Mass (without blade cover)	kg	4.5	4.7	4.7	4.9
Volume (fuel tank)	L	0.4			
Engine displacement	cm <sup>3</sup>	22.2			
Cutting length	mm	588		728	
Maximum engine performance	kW	0.68			
Stroke per minute	min <sup>-1</sup>	4,390			
Idling speed	min <sup>-1</sup>	3,000			
Clutch engagement speed	min <sup>-1</sup>	4,000			
Carburetor type	type	WALBRO WYL			
Ignition system	type	Solid state ignition			
Spark plug	type	NGK CMR6A			
Electrode gap	mm	0.7 - 0.8			
Mixture ratio (fuel: MAKITA 2-stroke engine oil)		50 : 1			
Gear ratio		9 : 43			

# DESIGNATION OF PARTS

**EH6000S  
EH7500S**



With Chip Receiver

	DESIGNATION OF PARTS		DESIGNATION OF PARTS		DESIGNATION OF PARTS
1	Blade	7	Carburetor	13	Gearbox
2	Blunt extension	8	I-O Switch (ON-OFF)	14	Blade cover
3	Front handle	9	Spark plug	15	Chip Receiver
4	Recoil starter	10	Throttle lever		
5	Fuel tank cap	11	Rear handle		
6	Choke lever	12	Muffler		



# FUELS/REFUELING

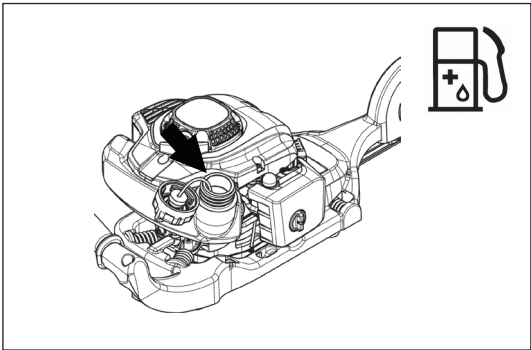
## Fuel and oil mixture

- The engine of the Hedge Trimmer is a high-efficiency two-stroke engine. It is run with a mixture of fuel and two-stroke engine oil. The engine is designed for unleaded regular fuel with a min. -octane value of 91 ROZ. In case no such fuel is available, you can use fuel with a higher octane value. This will not damage the engine, but may cause poor operating behaviour. A similar situation will arise from the use of leaded fuel. To obtain optimum engine operation and to protect your health and the environment, only unleaded fuel should be used!
- For lubricating the engine use a two-stroke engine oil (quality grade: TSC-3), which is added to the fuel. The engine has been designed for use with MAKITA two-stroke engine oil and a mixture ratio of 50:1 only to protect the environment. In addition, a long service life and a reliable operation with a minimum emission of exhaust gases is guaranteed. It is absolutely essential to observe a mixture ratio of 50:1 (MAKITA 2-stroke engine oil), otherwise the reliable function of the Hedge Trimmer cannot be guaranteed.
- The correct mixture ratio:  
Gasoline: Specified two-stroke engine oil = 50 : 1 or  
Gasoline: Other manufacturer's two-stroke engine oil = 25 : 1 recommended

**NOTE:** For preparing the fuel-oil mixture, first mix the entire oil quantity with half of the fuel required. In an approved can which meets or exceeds all local code standards, then add the remaining fuel. Thoroughly shake the mixture before filling it into the Hedge Trimmer's tank. It is not wise to add more engine oil than specified to ensure safe operation. It will only result in a higher production of combustion residues which will pollute the environment and clog the exhaust channel in the cylinder as well as the muffler. In addition, the fuel consumption will rise and the performance will decrease.

## Handling petroleum products

Utmost care is required when handling fuel. Fuel may contain substances similar to solvents. Refuel either in a well ventilated area or outdoors. Do not inhale fuel vapors, avoid any contact of fuel or oil with your skin. If your skin comes in contact with these substances repeatedly and for an extended period of time, it will desiccate. Various skin diseases may result. In addition, allergic reactions are known to occur. Eyes can be irritated by contact with oil, fuel etc. If oil, fuel, etc., comes into your eyes, immediately wash them with clear water. If your eyes are still irritated, see a doctor immediately!



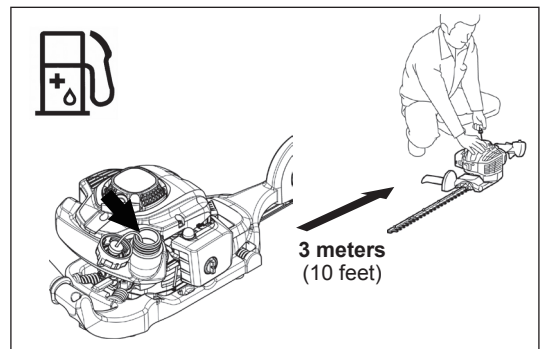
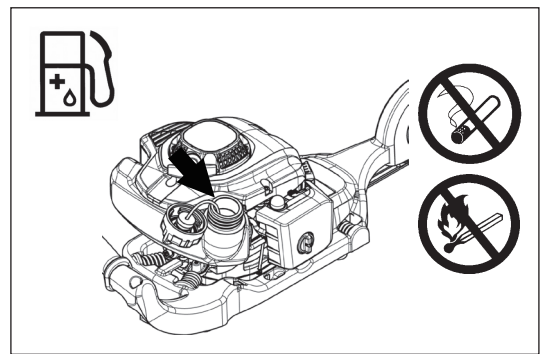
Gasoline	+	Oil
	50:1	
		25:1
1,000 cm <sup>3</sup> (1 liter)		20 cm <sup>3</sup> 40 cm <sup>3</sup>
5,000 cm <sup>3</sup> (5 liter)		100 cm <sup>3</sup> 200 cm <sup>3</sup>
10,000 cm <sup>3</sup> (10 liter)		200 cm <sup>3</sup> 400 cm <sup>3</sup>

## Refuelling

- The engine must be switched off.
- Stop the engine during refuelling, keep away from naked flames and do not smoke.
- Take care not to spill either fuel or oil in order to prevent soil contamination (environmental protection).  
Clean the Hedge Trimmer immediately after fuel has been spilt.
- Do not spill any fuel onto the engine. Wipe up if necessary to avoid fire.
- Avoid any fuel contact with your clothing. Change your clothing instantly if fuel has been spilt on it (to prevent clothing catching fire).
- Inspect the fuel cap at regular intervals making sure that it can be securely fastened and does not leak.
- Carefully tighten the fuel tank cap. Change location to start the engine (at least 3 meters away from the place of refuelling.)
- Never refuel in enclosed rooms. Fuel vapours accumulate at ground level. (Risk of explosions.)
- Transport and store fuel only in approved containers. Make sure the fuel stored is not accessible to children.
- Thoroughly clean the area around the tank cap to prevent dirt from getting into the fuel tank.
- Unscrew the plug and fill the tank with fuel. Use a gauze funnel to filter the fuel.
- Tightly screw on the plug by hand only.
- Clean around the screw plug and the tank after refuelling.
- Always wipe up any spilt fuel to prevent a fire.

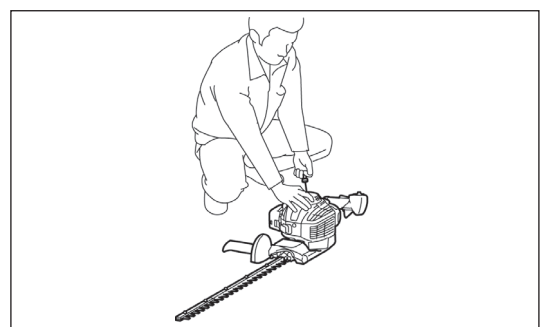
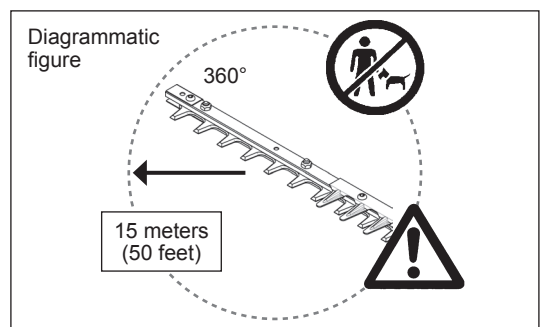
## Storage of fuel

- Fuel cannot be stored for an unlimited period of time.
- Purchase only the quantity required for a 4 week operation period.
- Use approved fuel storage containers only.



## PRECAUTIONS BEFORE STARTING

- Please make sure that there are no children or other people within a working range of 15 meters, also pay attention to any animals in the working vicinity.
- Before use always check that the Hedge Trimmer is safe for operation. Check the cutting device is not damaged, the control lever for easy action and check for proper function of the I-O Switch.  
Rotation of the cutting device during idling speed is not allowed.  
Check with your dealer for adjustment if in doubt. Check for clean and dry handles and test function of the I-O Switch.
- Start the Hedge Trimmer only in accordance with the instructions. Do not use any other methods for starting the engine. (See Starting)
- Start the Hedge Trimmer engine only after the entire assembly is done. Operation of the engine is only permitted after all the appropriate accessories are attached. Otherwise there is a risk of injury.
- Before starting, make sure that the cutting device has no contact with objects such as branches, stones, etc.
- Before trimming, inspect area for wires, cords, glass, or other foreign objects which could come in contact with the blade.
- Electrical shock. Be aware of any and all electric lines and electric fences. Check all areas for electrical lines before cutting.



## STARTING THE MACHINE

Move at least 3 meters away from the place of refuelling. Place the Hedge Trimmer on a clean area of ground make sure that the cutting tool does not come into contact with the ground or any other objects.

**Cold starting:** (When the engine is cold or it has been stopped for more than 5 minutes or when fuel is added to the engine.)

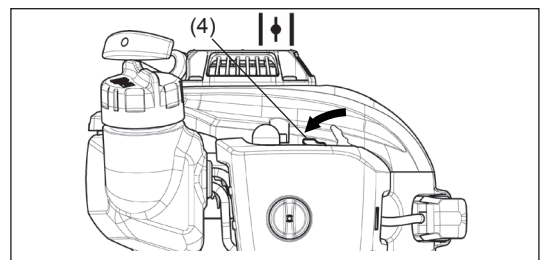
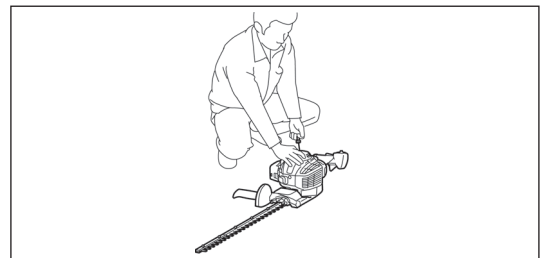
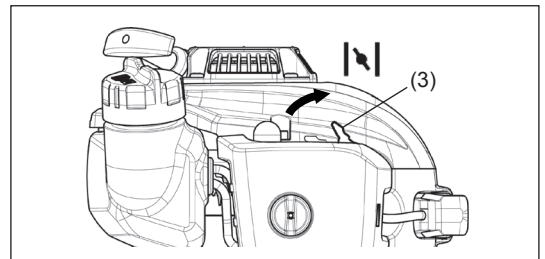
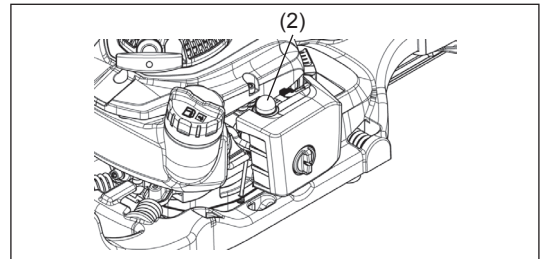
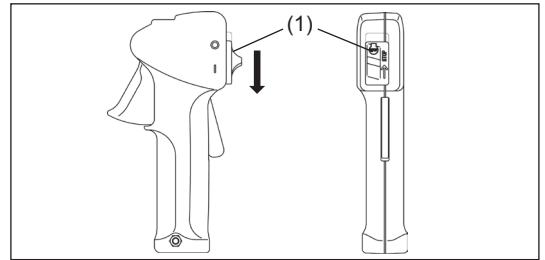
1. Push the I-O switch (1) to "I" position.
2. Give a gentle push on the primer pump (2) repeatedly (7 to 10 times) until fuel comes into the primer pump.
3. Move the choke lever (3) to position "||".
4. Hold the unit down firmly so you will not lose control while cranking the engine. If not held down properly, the engine could pull you off balance or swing the cutting blade into an obstruction or your body.
5. Pull the starter handle slowly for 10 to 15 cm, and check the location of pressure.
6. Pull strongly when pressurization can be felt and start the engine.
7. When the engine starts, return the choke lever (4) to "||".
8. Run the engine for approximately one minute at a moderate speed before applying full speed.

**Note:**

- If the starter handle is pulled repeatedly when the choke lever remains at "||" position, the engine will not start easily due to excessive fuel intake.
- In case of excessive fuel intake, remove the spark plug and pull the starter handle slowly to remove excess fuel. Also, dry the electrode section of the spark plug.

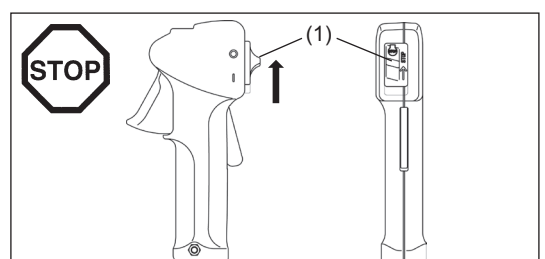
**Hot starting:** (Restarting immediately after the engine has stopped) When restarting a hot engine, first try the above procedure: 1, 2, 4, 5, 6. If the engine does not start, repeat above steps 1-8.

**Note:** Do not pull the starter rope to its full extent and do not allow the starter grip to be retracted without control, ensure that it is retracted slowly.



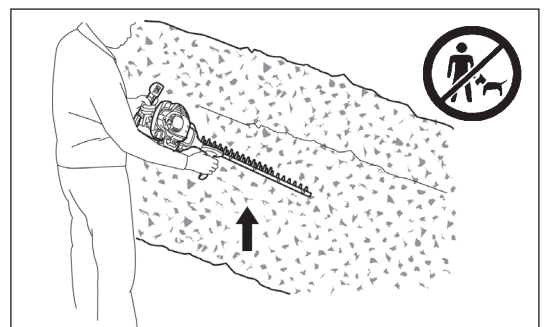
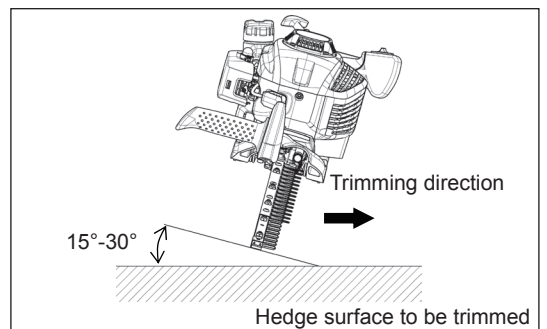
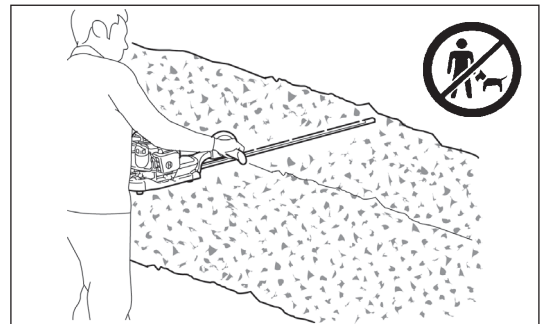
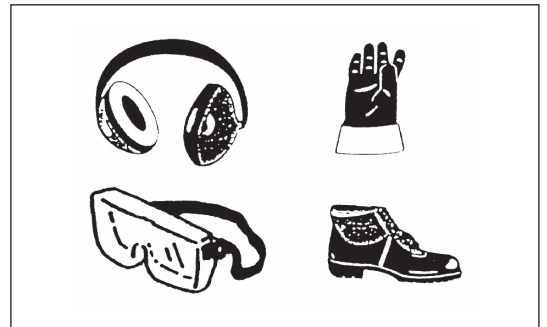
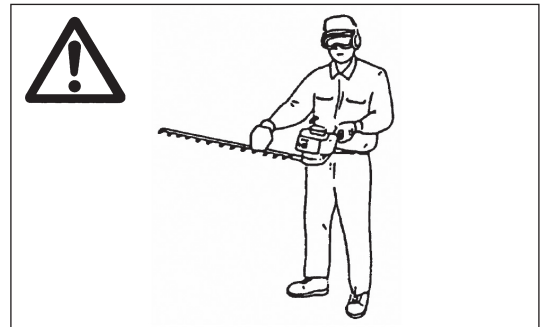
## STOPPING THE MACHINE

1. Release the throttle lever completely.
2. Push the I-O switch (1) to "O" position, the engine rotation will become low and the engine will stop.



## OPERATION OF THE MACHINE

- Never operate with a loose grip.
- Never touch the cutting device when starting the engine and during operation.
- Operate the Hedge Trimmer in such a manner as to avoid inhalation of the exhaust gases. Never run the engine in enclosed rooms (Risk of gas poisoning). Carbon monoxide is an odorless gas.
- All protective installations and guards supplied with the machine must be used during operation.
- Never operate the engine with a faulty exhaust muffler or if it is missing.
- Use the Hedge Trimmer only in good light and visibility.
- During the winter season beware of slippery or wet areas, ice and snow. (Risk of slipping.) Always ensure a safe footing.
- Never stand on a ladder and run the Hedge Trimmer. Keep both feet on the ground.
- Never climb up the trees with the Hedge Trimmer to perform cutting operation.
- Never work on unstable surfaces.
- Remove sand, stone, nails, wire, etc. found within the working area. Foreign objects may damage the cutting blades.
- Before commencing cutting, the cutting blades must have reached full working speed.
- Always hold the Hedge Trimmer firmly with both hands on the handles only.
- The right hand grips the front handle.
- This is the way to safely operate the machine.
- Use a firm grip with thumbs and fingers encircling the handles.
- When you release the throttle, it takes a few moments before the cutting blades stop.
- The Hedge Trimmer must not be used for cutting with fast idle. The cutting speed cannot be adjusted with the throttle control in fast idle position.
- When cutting a hedge, the machine should be held so that the blades form a 15-30° angle with the cutting line.
- If the Hedge Trimmer is used with circular movements against the edge of the hedge, the twigs will be thrown directly to the ground.
- Pay special attention when cutting hedges which are laid out along a wire-fence and have grown through the fence.
- The blade must not contact the fence, otherwise the blades may be destroyed.
- Do not use the Hedge Trimmer continuously for a long time. It is normal to take a break of 10 to 20 minutes after every 50 minutes operation.
- Should the cutting blades hit stones or other hard objects, immediately switch off the engine and inspect the cutting blades for damage. Replace damaged blades before re-commencing work.
- The engine must be switched off immediately in case of any engine problems.
- Operate the Hedge Trimmer with as little noise and contamination as possible. In particular check the correct setting of the carburetor and the fuel/oil ratio.
- Do Not attempt to remove jammed cut material when blades are running. Put unit down, turn it off, and remove necessary cuttings.



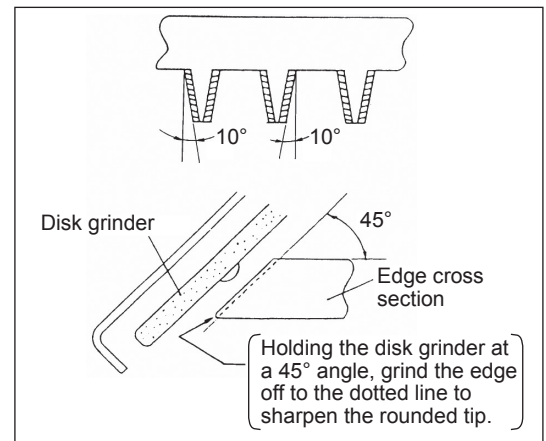
## MAINTENANCE INSTRUCTIONS

- Turn off the engine and remove the spark plug connector when replacing or sharpening cutting tools, also when cleaning the cutter or cutting device or carrying out any maintenance.
- Never straighten or weld a damaged cutting blade.
- Inspect the cutting blades with the engine switched off at short, regular intervals for damage.
- (Detection of hairline cracks by means of tapping-noise test.) Beware the teeth are sharp.
- Clean the Hedge Trimmer at regular intervals and check that all screws and nuts are well tightened.
- Never service or store the Hedge Trimmer in the vicinity of naked flames to avoid fires.
- Always wear leather gloves when handling or sharpening the blades, as they are sharp.

### Blade sharpening

If the edges are rounded and do not cut well any more, grind off only the shaded portions. Do not grind the contact surfaces (sliding surfaces) of the top and bottom edges.

- Before grinding, be sure to secure the blade firmly and switch off the engine and remove the spark plug cap.
- Wear gloves, protective glasses, etc.
- An edge ground too much at a time or ground many times will lose its hardened layer. It becomes rounded and dull very quickly in use.



### Blade adjustment

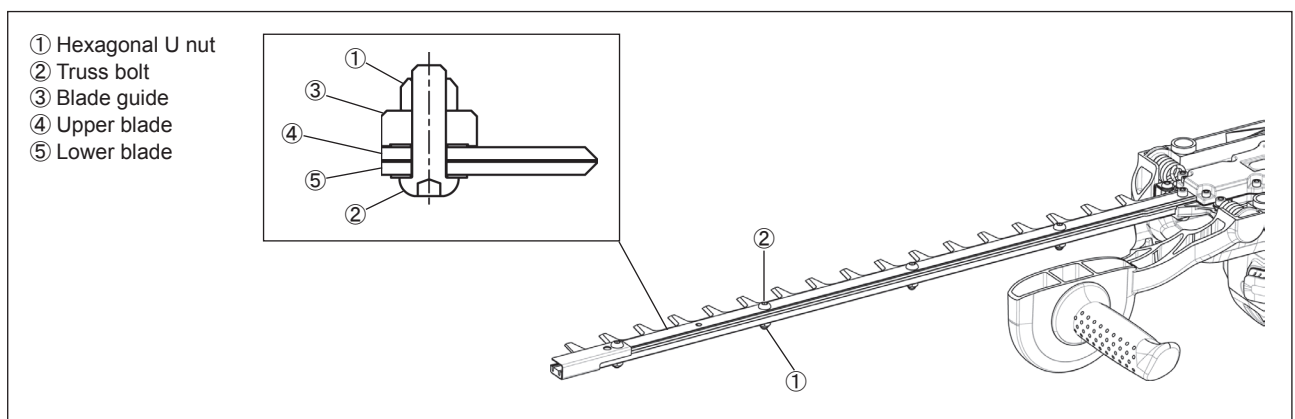
The blades will wear with long use. When you find that trimming is not as good as when the blades were new, adjust them as follows.

1. Turn nut ① loose.
2. Bolt ② in with the driver lightly till it stops turning, and then screw it back one quarter.
3. Turn nut ① tight, holding bolt ② at the same time with a Hex Wrench.
4. Lubricate the blades after adjustments above with light oil.
5. Start the engine and operate the engine throttle on and off for a minute.
6. Stop the engine and touch the blades with your hand. If they are warm enough for you to keep your hand on, then you have made the proper adjustment. If they are too hot for you to keep touching, give bolt ② a little more turnback and repeat 5 to see if they are properly adjusted.

**NOTE: Never fail to stop the engine before making the adjustment.**

**The blades have a slot around screw ②. In case you find dust in the end of any of the slots, clean it.**

**NOTE: For enough time of blade stop (EN774), be sure to make the blade adjustment before operation.**



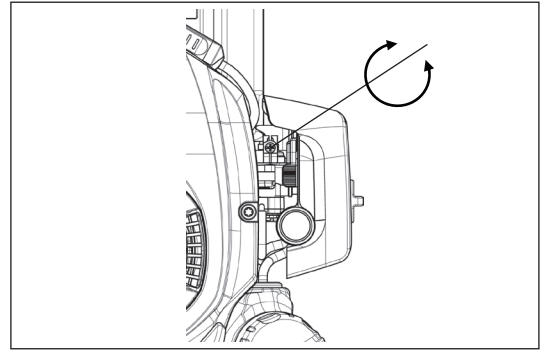
## Checking and adjusting the idling speed

The cutting blade should not run when the control lever is fully released.

- Idle speed should be set to 3,000 min<sup>-1</sup>.
- If necessary, correct it by means of the idle screw (the cutting blade must not run when the engine is on idle).
  - Clockwise: for faster rate of revolution
  - Counter-clockwise: for slower rate of revolution

Check that there is sufficient difference between idling and clutch engagement speed to ensure that the cutting tool is at a standstill while the engine is idling. (If necessary, reduce idling speed.) If the tool still continues to run under the idling conditions, consult your nearest authorized service agent.

- The clutch should engage at minimum 3,750 min<sup>-1</sup>.
- Check the functioning of the I-O Switch, the lock-off lever, the control lever, and the lock button.



## CLEANING OF AIR CLEANER



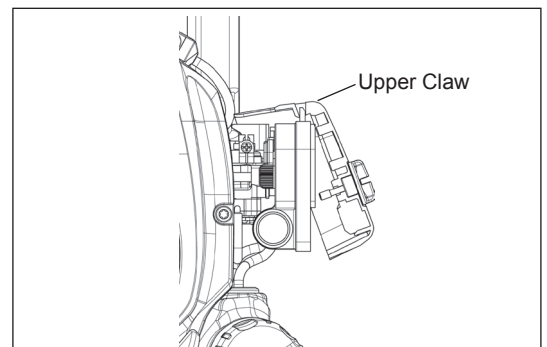
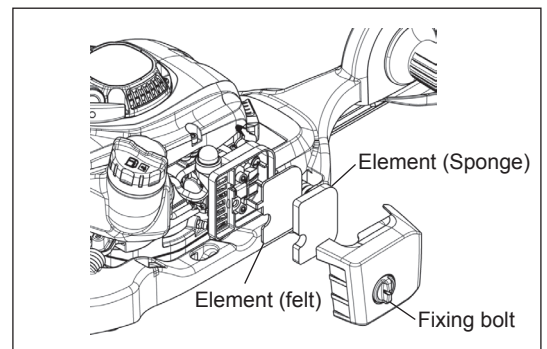
**DANGER: INFLAMMABLES STRICTLY PROHIBITED**

**Interval of Cleaning and Inspection: Daily (every 10 operating hours)**

- Turn the choke lever to the full close side, and keep the carburetor off from dust or dirt.
- Turn the air cleaner cover-fixing bolts.
- Pull the cover lower side and detach the air cleaner cover.
- If oil adheres to the element (sponge), squeeze it firmly.
- For heavy contamination:
  - 1) Remove the element (sponge), immerse it in warm water or in water-diluted neutral detergent, and dry it completely.
  - 2) Clean the element (felt) with gasoline, and dry it completely.
- Before attaching the element, be sure to dry it completely. Insufficient drying of the element may lead to difficult startup.
- Wipe out with waste cloth, oil adhering around the air cleaner.
- Immediately after cleaning is finished, attach the cleaner cover and tighten it with fixing bolts. (In remounting, first place the upper claw.)

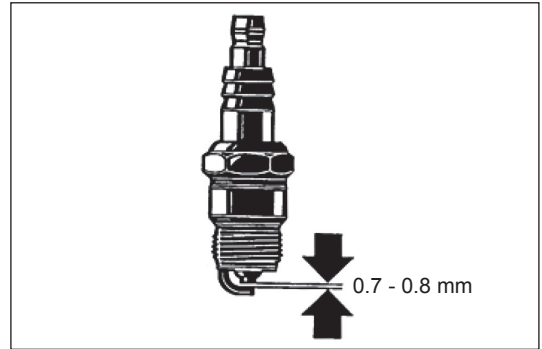
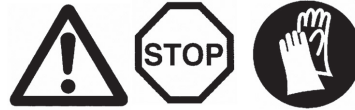
### Points in Handling Air Cleaner Element

- Clean the element several times a day, if excessive dust adheres to it.
- If operation continues with the element remaining not cleared of oil, oil in the air cleaner may fall outside, resulting in oil contamination.



### Checking the spark plug - Every 8 hours (Daily)

- Only use the supplied universal wrench to remove or to install the spark plug.
- The gap between the two electrodes of the spark plug should be 0.7 to 0.8 mm. If the gap is too wide or too narrow, adjust it. If the spark plug is clogged with carbon or fouled, clean it thoroughly or replace it. Use an exact replacement.



### Supply of grease and lubricant

- Supply grease from the grease nipple every 50 operating hours. (Shell Alvania No. 3 or equivalent)

**NOTE:** Be sure to observe the specified time and amount of grease supply. If the grease supply is not made at the specified interval or if the amount of grease supplied is not sufficient, the machine may fall into a trouble because of lack of grease.

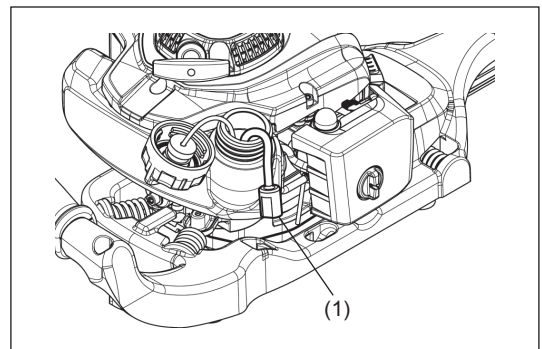
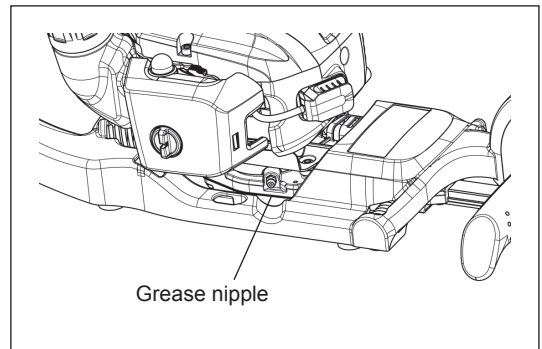
### CLEANING OF FUEL FILTER

**WARNING: INFLAMMABLES STRICTLY PROHIBITED**

Interval of Cleaning and Inspection: Monthly (every 50 operating hours)

### Suction head in the fuel tank

- The felt filter (1) of the suction head is used to filter the fuel required by the carburetor.
- A periodical visual inspection of the felt filter is to be conducted.
- For that purpose, open the tank cap, use a wire hook and pull out the suction head through the tank opening. Filters found to have hardened, been polluted or clogged up are to be replaced.
- Insufficient fuel supply can result in the admissible maximum speed being exceeded. It is therefore important to replace the felt filter at least quarterly to ensure satisfactory fuel supply to the carburetor.



### REPLACEMENT OF FUEL PIPE

**CAUTION: INFLAMMABLES STRICTLY PROHIBITED**

Interval of Cleaning and Inspection: Daily (every 10 operating hours)

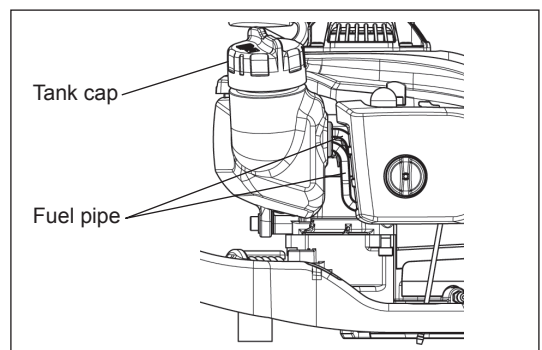
Replacement: Annually (every 200 operating hours)

Replace the fuel pipe every year, regardless of operating frequency. Fuel leakage may lead to fire.

If any leakage is detected during inspection, replace the oil pipe immediately.

### REPLACEMENT OF TANK CAP

- If there is any flaw or damage on the tank cap, replace it.
- The tank cap is consumable, and therefore should be renewed every two to three years.



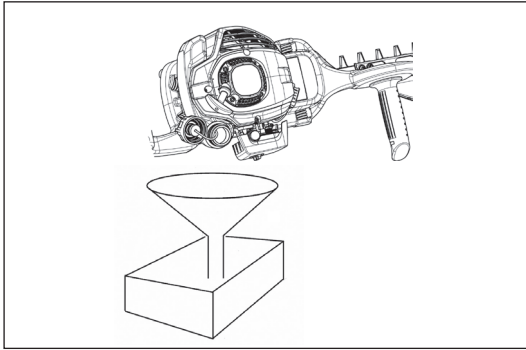
Any maintenance or adjustment work that is not included and described in this manual is to be performed by Authorized Service Agent only.

### Daily checkup and maintenance

To ensure a long service life and to avoid any damage to the equipment, the following servicing operations should be performed at regular intervals.

- Before operation, check the machine for loose screws or missing parts. Pay particular attention to the tightness of the cutter blade screws.
- Before operation, always check for clogging of the cooling air passage and the cylinder fins. Clean them if necessary.
- Perform the following work daily after use:
  - Clean the Hedge Trimmer externally and inspect for damage.
  - Clean the air filter. When working under extremely dusty conditions, clean the filter several times a day.
  - Check the blades for damage and make sure they are firmly mounted.

## STORAGE



- When keeping the machine in storage for a long time, drain fuel from the fuel tank and carburetor, as follows: Drain all fuel from the fuel tank.
- Remove the spark plug and add a few drops of oil into the spark plug hole. Then, pull the starter gently to confirm that oil film covers the engine inside and tighten the spark plug.
- Clear dirt or dust from the cutter blade and outside of engine, wipe them with a oil-immersed cloth and keep the machine at a place as dry as possible.

## MAINTENANCE SCHEDULE

<b>General</b>	Engine assembly, screws and nuts	Visual inspection for damage and tightness Check for general condition and security
<b>After each refuelling</b>	Throttle lever I-O switch	Functional check Functional check
<b>Daily</b>	Air filter Cooling air duct Cutting tool Idling speed	To be cleaned To be cleaned Check for damage and sharpness Inspection (cutting tool must not move)
<b>Every 50 hours</b>	Gear case	Supply of grease
<b>Weekly</b>	Spark plug Muffler	Inspection, replace if necessary Check and if necessary clean the opening
<b>Quarterly</b>	Suction head Fuel tank	To be replaced To be cleaned
<b>Shutting down procedure</b>	Fuel tank Carburetor	Empty fuel tank Operate until engine runs out of fuel

## FAULT LOCATION

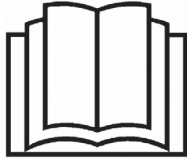
Fault	System	Observation	Cause
Engine not starting or under difficulties	Ignition system	Ignition spark is present	Faulty fuel supply or compression system, mechanical defect
		No ignition spark	I-O switch operated, wiring fault or short circuit, spark plug or connector defective, ignition module faulty
	Fuel supply	Fuel tank filled	Incorrect choke position, carburetor defective, suction head (gas line filter) dirty, fuel supply line bent or interrupted
	Compression	Inside of engine	Cylinder bottom gasket defective, crankshaft seals damaged, cylinder or piston rings defective
		Outside of engine	Improper sealing of spark plug
Warm start problems	Mechanical fault	Starter not engaging	Broken starter spring, broken parts inside of the engine
		Tank filled Ignition spark existing	Carburetor contaminated, have it cleaned
Engine starts but dies immediately	Fuel supply	Tank filled	Incorrect idling adjustment, suction head or carburetor contaminated
			Fuel tank vent defective, fuel supply line interrupted, cable or I-O switch faulty
Insufficient performance	Several systems may simultaneously be affected	Engine idling	Air filter contaminated, carburetor contaminated, muffler clogged, exhaust duct in the cylinder clogged



ขอขอบคุณท่านที่ไว้วางใจเลือกใช้ผลิตภัณฑ์เครื่องเล็มแนวรั้วพุ่มไม้ของ MAKITA เรายินดีเป็นอย่างยิ่งที่จะนำเสนอเครื่องเล็มแนวรั้วพุ่มไม้ MAKITA อันเป็นผลิตภัณฑ์ที่ผ่านการพัฒนาอย่างต่อเนื่องยาวนานจากความรู้และประสบการณ์ที่สั่งสมมาเป็นระยะเวลาหลายปี

เครื่องเล็มแนวรั้วพุ่มไม้รุ่น EH6000S, EH7500S ผสมผสานจุดเด่นต่างๆ ของเทคโนโลยีอันทันสมัย เข้ากับการออกแบบที่คำนึงถึงการใช้งานตามหลักสรีรศาสตร์ จึงทำให้น้ำหนักเบา จับสะดวกมือ กะทัดรัด และเป็นอุปกรณ์ที่เหมาะสมกับการใช้งานที่หลากหลาย

โปรดอ่าน ทำความเข้าใจ และปฏิบัติตามคำแนะนำในคู่มือฉบับนี้ ซึ่งจะอธิบายรายละเอียดในหลากหลายประเด็น ที่แสดงให้เห็นถึงประสิทธิภาพอันโดดเด่นของผลิตภัณฑ์ ข้อมูลเหล่านี้จะช่วยให้คุณทำงานเครื่องเล็มแนวรั้วพุ่มไม้ของ MAKITA ได้อย่างเต็มประสิทธิภาพ



## สารบัญ

## หน้า

สัญลักษณ์ .....	17
คำแนะนำด้านความปลอดภัย .....	18
ข้อมูลทางเทคนิค .....	21
ส่วนประกอบต่างๆ .....	22
น้ำมันเชื้อเพลิง/การเติมน้ำมัน .....	23
ข้อควรระวังก่อนการสตาร์ท .....	24
การสตาร์ทเครื่องยนต์ .....	25
การดับเครื่องยนต์ .....	25
การใช้งานเครื่อง .....	26
คำแนะนำในการบำรุงรักษา .....	27
การเก็บรักษา .....	30
ตารางการบำรุงรักษา .....	30
ตำแหน่งที่เกิดความผิดปกติ .....	30

## สัญลักษณ์

ท่านจะพบสัญลักษณ์ต่างๆ ต่อไปนี้ในขณะที่อ่านคู่มือการใช้งานฉบับนี้

	คำเตือน/อันตราย		น้ำมันเชื้อเพลิงและน้ำมันผสม
	โปรดอ่าน, ทำความเข้าใจ และปฏิบัติตามคำแนะนำในคู่มือ		การสตาร์ทมือ
	ข้อห้าม		การดับเครื่องฉุกเฉิน
	ห้ามสูบบุหรี่		การปฐมพยาบาลเบื้องต้น
	ห้ามนำไฟเข้าใกล้		การรีไซเคิล
	ต้องสวมถุงมือป้องกัน		เปิด/สตาร์ท
	พื้นที่ปฏิบัติงานต้องไม่มีบุคคลอื่นหรือสัตว์เลี้ยงอยู่		ปิด/ดับเครื่อง
	สวมหมวกนิรภัย แวนตาอ็อกซ์ และอุปกรณ์ป้องกัน		

## คำแนะนำด้านความปลอดภัย

### คำแนะนำทั่วไป

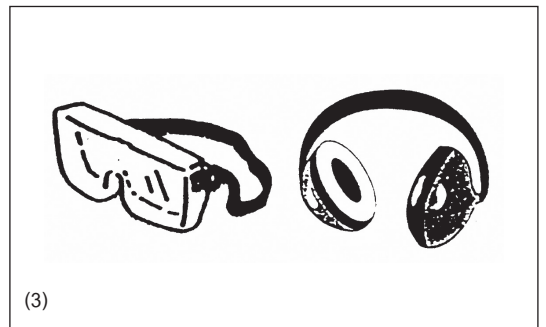
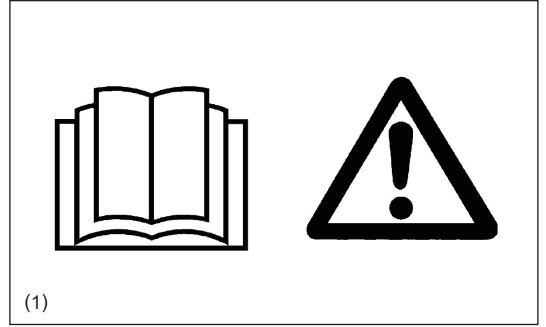
- เครื่องจักรนี้อาจทำให้เกิดการบาดเจ็บสาหัสได้ โปรดอ่านคำแนะนำอย่างละเอียดเพื่อให้สามารถจัดการ เตรียม บำรุงรักษา สตาร์ท และดับเครื่องได้อย่างถูกต้อง และทำความเข้าใจเกี่ยวกับตัวควบคุมทั้งหมดตลอดจนการใช้งานเครื่องจักรอย่างถูกวิธี (1)
- หากให้ผู้อื่นยืมเครื่องเล็มแนวรั้วพุ่มไม้ต้องแน่ใจว่า บุคคลดังกล่าวมีประสบการณ์ในการใช้งานเครื่องเล็มแนวรั้วพุ่มไม้มาก่อน  
ควรมอบคู่มือการใช้งานให้ไปด้วยเสมอ
- ผู้ที่ใช้งานครั้งแรกควรสอบตามข้อมูลการใช้งานเบื้องต้นจากตัวแทนจำหน่าย เพื่อทำความเข้าใจเกี่ยวกับการใช้งานเครื่องเล็มแนวรั้วพุ่มไม้แบบติดตั้งเครื่องยนต์
- ไม่ควรอนุญาตให้เด็กและผู้เยาว์ที่อายุต่ำกว่า 18 ปี ใช้งานเครื่องเล็มแนวรั้วพุ่มไม้ไม่ว่าอย่างใดก็ตาม ในกรณีที่เป็นการฝึกสอน อนุญาตให้ผู้ที่อายุมากกว่า 16 ปี ใช้งานเครื่องมือนี้ได้ แต่ต้องอยู่ภายใต้การควบคุมดูแลจากผู้ฝึกสอนที่มีคุณสมบัติเหมาะสมเท่านั้น
- โปรดใช้ความระมัดระวังเป็นพิเศษในขณะที่ใช้งานเครื่องเล็มแนวรั้วพุ่มไม้
- ควรใช้งานเครื่องเล็มแนวรั้วพุ่มไม้ในขณะที่ร่างกายของท่านสมบูรณ์ดีเท่านั้น ปฏิบัติงานอย่างมีสติและรอบคอบ ผู้ใช้จำเป็นต้องรับผิดชอบต่อความปลอดภัยของบุคคลอื่น
- ห้ามใช้งานเครื่องเล็มแนวรั้วพุ่มไม้ในขณะที่มีเมามาก หลังจากรับประทานยา รุสีกเห็น้อยล้ำหรือเจ็บป่วยโดยเด็ดขาด (2)

### จุดประสงค์การใช้งานเครื่องจักร

- เครื่องเล็มแนวรั้วพุ่มไม้ ออกแบบมาเพื่อการเล็มพุ่มไม้และแนวพุ่มไม้เท่านั้น และต้องไม่ใช้ไปเพื่อการอื่น อย่าใช้เครื่องเล็มตัดวัตถุประสงค์

### อุปกรณ์ป้องกันภัยส่วนบุคคล

- เสื้อผ้าที่สวมใส่ควรมีคุณสมบัติที่เหมาะสมกับงาน เช่น มีขนาดพอดีตัวแต่ไม่รัดแน่นจนเกิดการดึงรั้ง ห้ามสวมเครื่องประดับ ใส่เสื้อผ้าหลวมที่อาจพันเข้ากับพุ่มไม้ ต้นไม้เตี้ยหรือเครื่องจักร
- เพื่อป้องกันการบาดเจ็บที่ดวงตา, มือ หรือเท้า รวมถึงป้องกันประสาทสัมผัสในการฟัง โปรดใช้งานอุปกรณ์และเครื่องแต่งกายที่ให้การป้องกันในระหว่างใช้งานเครื่องเล็มแนวรั้วพุ่มไม้
- ขณะใช้งานเครื่องเล็มแนวรั้วพุ่มไม้ ให้สวมแว่นตาป้องกันหรือหน้ากากนิรภัยเพื่อป้องกันการบาดเจ็บที่ดวงตา (3)
- ควรสวมอุปกรณ์ป้องกันเสียงรบกวน เช่น ครอบหู ปลั๊กอุดหู ฯลฯ เพื่อป้องกันระบบประสาทการได้ยินของท่าน (3)
- เราขอแนะนำให้ผู้ใช้ควรสวมชุดทำงานแบบขึ้นเดียว (4)
- ขณะใช้งานเครื่องเล็มแนวรั้วพุ่มไม้ ให้สวมถุงมือพิเศษที่ทำจากหนังสัตว์อย่างหนาซึ่งเป็นอุปกรณ์ที่กำหนด (4)
- เมื่อใช้งานเครื่องเล็มแนวรั้วพุ่มไม้ ให้สวมรองเท้าที่พื้นรองเท้าไม่ลื่น ซึ่งจะป้องกันไม่ให้เกิดบาดเจ็บและช่วยให้ยืนทรงตัวได้อย่างมั่นคง (4)



**ขั้นตอนเริ่มต้นใช้งานเครื่องเล็มแนวรั้วพุ่มไม้**

- ตรวจสอบให้แน่ใจว่า ไม่มีเด็กหรือบุคคลอื่นอยู่ในสถานที่ปฏิบัติงานในช่วงรัศมี 15 เมตร (5) และควรระมัดระวังสัตว์ซึ่งอยู่ในบริเวณที่มีการทำงานด้วย
- ก่อนเริ่มต้นปฏิบัติงานต้องหมั่นตรวจสอบความปลอดภัยในการใช้งานของเครื่องเล็มแนวรั้วพุ่มไม้
- ตรวจสอบความปลอดภัยของคันเร่ง โดยตรวจสอบคันเร่งว่าสามารถทำงานได้อย่างราบรื่นและสะดวก ตรวจสอบว่าตัวล็อกคันเร่งทำงานได้ถูกต้อง
- ตรวจสอบมือจับว่าแห้งและสะอาดรวมถึงทดสอบการทำงานของสวิตช์ I-O รักษาความปลอดภัยของมือจับไม่ให้เปียกคราบน้ำมันและน้ำมันเครื่อง
- โปรดสตาร์ทเครื่องเล็มแนวรั้วพุ่มไม้ตามขั้นตอนที่กำหนดไว้ในคำแนะนำเท่านั้น

**ห้ามใช้วิธีการอื่นในการสตาร์ทเครื่องยนต์โดยเด็ดขาด (6)!**

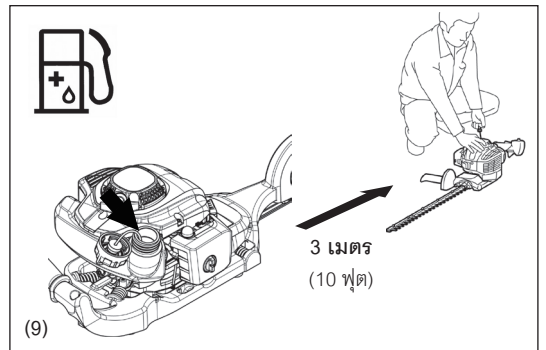
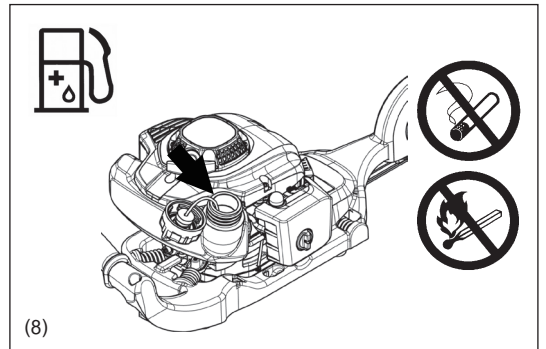
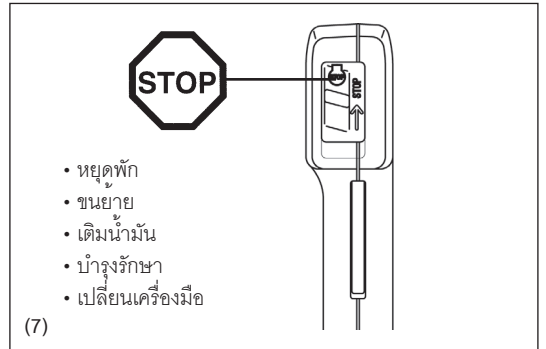
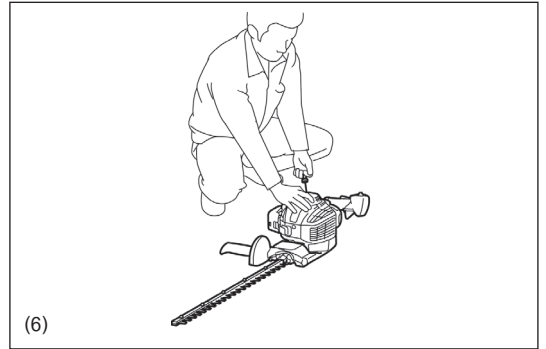
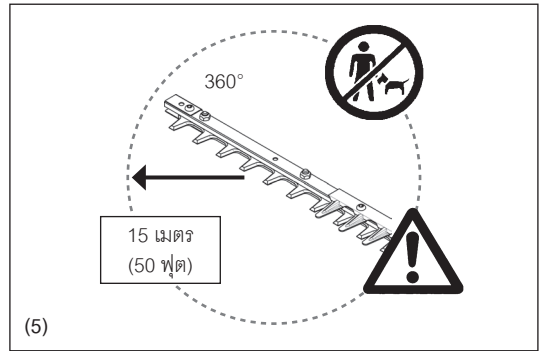
- ใช้งานเครื่องเล็มแนวรั้วพุ่มไม้ให้เหมาะสมกับงานที่กำหนดไว้เท่านั้น
- สตาร์ทเครื่องยนต์ของเครื่องเล็มแนวรั้วพุ่มไม้หลังจากที่ติดตั้งส่วนประกอบของเครื่องเล็มแนวรั้วพุ่มไม้ครบสมบูรณ์แล้วเท่านั้น อนุญาตให้ใช้งานเครื่องเล็มแนวรั้วพุ่มไม้หลังจากที่ติดตั้งส่วนประกอบที่จำเป็นครบหมดแล้วเท่านั้น!
- ก่อนสตาร์ท ต้องแน่ใจว่ามีดไม่สัมผัสกับวัตถุ เช่น กิ่งไม้ ก้อนหิน ฯลฯ
- ในกรณีที่เกิดปัญหาใดๆ ที่เครื่องยนต์ โปรดดูคู่มือเครื่องยนต์ทันที
- ในขณะที่ใช้งานเครื่องเล็มแนวรั้วพุ่มไม้ ให้ใช้นิ้วมือกำรอบส่วนมือจับให้แน่นโดยควบคุมให้ส่วนมือจับนั้นอยู่ระหว่างนิ้วโป้งและนิ้วชี้ของท่าน ดึงการจับในตำแหน่งนี้ไว้ เพื่อให้สามารถควบคุมเครื่องได้ตลอดเวลา
- ตรวจสอบให้แน่ใจว่าคันควบคุมอยู่ในสภาพดี และปราศจากความชื้น ยางมะตอย น้ำมัน หรือจาระบี

**ต้องยืนทรงตัวในลักษณะที่มั่นคง ปลอดภัยอยู่เสมอ**

- ใช้งานภายนอกอาคารเท่านั้น
- ให้หมั่นสังเกตสิ่งรอบข้างเสมอและระมัดระวังอันตรายที่อาจเกิดขึ้นเพราะท่านอาจจะได้ยินเสียงเนื่องจากเสียงรบกวนของเครื่องจักร
- ใช้งานเครื่องเล็มแนวรั้วพุ่มไม้ในลักษณะที่สามารถหลีกเลี่ยงการสูดดมก๊าซไอเสีย ห้ามใช้งานเครื่องเล็มแนวรั้วพุ่มไม้ในห้องปิด (อันตรายจากการไม่มีอากาศหายใจและก๊าซพิษ) ควรสวมหน้ากากป้องกันเป็นก๊าซที่ไม่มีกลิ่น ให้ตรวจสอบให้แน่ใจว่ามีอากาศถ่ายเทเพียงพอ
- ดับเครื่องยนต์เมื่อพักและเมื่อไม่ใช้งานเครื่องเล็มแนวรั้วพุ่มไม้ ควรวางเครื่องเล็มแนวรั้วพุ่มไม้ไว้ในที่ที่ปลอดภัยเพื่อป้องกันอันตรายต่อผู้อื่น การติดไฟ หรือเครื่องจักรชำรุด
- ห้ามวางเครื่องเล็มแนวรั้วพุ่มไม้ที่รอนจัดบนหญ้าแห้งหรือบนวัตถุที่ติดไฟได้ง่าย
- เพื่อลดอันตรายจากไฟไหม้ เก็บรักษาเครื่องยนต์และหม้อลดเสียงให้ปราศจากสิ่งสกปรก ไขมัน หรือน้ำมันหล่อลื่นส่วนเกิน
- ห้ามใช้งานเครื่องยนต์ที่หม้อไอเสียชำรุด
- ดับเครื่องยนต์ในระหว่างที่ขนย้าย (7)
- ดับเครื่องยนต์หรือถอดปลั๊กไฟก่อน
- ทำความสะอาดหรือเมื่อทำความสะอาดชิ้นส่วนที่อุดตัน
- การตรวจสอบ การบำรุงรักษา หรือการทำงานกับเครื่องจักร
- จัดวางเครื่องเล็มแนวรั้วพุ่มไม้ไว้ในตำแหน่งที่ปลอดภัยในระหว่างที่ขนย้ายทางรถยนต์หรือรถบรรทุกเพื่อป้องกันน้ำมันรั่วซึม
- เมื่อขนย้ายเครื่องเล็มแนวรั้วพุ่มไม้ โปรดตรวจสอบให้แน่ใจว่า ไม่มีน้ำมันเหลืออยู่ในถังน้ำมันเชื้อเพลิงเพื่อป้องกันน้ำมันรั่วซึม
- เมื่อขนย้ายหรือจัดเก็บเครื่องจักร ให้ห่อหุ้มส่วนที่เป็นใบมีด

**การเติมน้ำมัน**

- ดับเครื่องยนต์ก่อนเติมน้ำมัน (7), อยู่ให้ห่างจากเปลวไฟ (8) และห้ามสูบบุหรี่
- อย่าพยายามเติมน้ำมันขณะเครื่องยนต์ยังร้อนหรือทำงานอยู่
- หลีกเลี่ยงการสัมผัสกับผลิตภัณฑ์น้ำมันเครื่อง ห้ามสูดดมไอน้ำมันเข้าไป สวมถุงมือป้องกันตลอดเวลาในขณะที่เติมน้ำมัน เปลี่ยนและทำความสะอาดอุปกรณ์ป้องกันเป็นประจำ
- ระวังอย่าทำน้ำมันหรือน้ำมันเครื่องหกเพื่อป้องกันการปนเปื้อนของดิน (การปกป้องสิ่งแวดล้อม) ทำความสะอาดเครื่องเล็มแนวรั้วพุ่มไม้ทันทีที่น้ำมันหก ควรปล่อยให้เสื้อผ้าแห้งก่อนนำไปกำจัดอย่างถูกวิธี ครอบฝาปิดเพื่อป้องกันการการลุกไหม้ที่อาจเกิดขึ้นเองได้
- ระวังไม่ให้เสื้อผ้าของท่านเปื้อนน้ำมัน เปลี่ยนเสื้อผ้าทันทีถ้ามีน้ำมันหกรด (เสียงเตือนอันตรายที่อาจเกิดขึ้น)
- หมั่นตรวจสอบฝาปิดถังน้ำมันเป็นประจำเพื่อให้แน่ใจว่าปิดได้อย่างแน่นสนิท
- หมุนปิดฝาปิดถังน้ำมันเชื้อเพลิงอย่างระมัดระวัง เปลี่ยนสถานที่ก่อนสตาร์ทเครื่องยนต์ (ห่างจากสถานที่เติมน้ำมันอย่างน้อย 3 เมตร) (9)
- อย่าเติมน้ำมันในห้องปิด เพราะไอน้ำมันจะสะสมรวมตัวกันอยู่ในระดับพื้นดิน (อันตรายจากการระเบิด)
- ให้ขนย้ายและเก็บน้ำมันไว้ในภาชนะบรรจุที่ผ่านการรับรองแล้วเท่านั้น ตรวจสอบให้แน่ใจว่าน้ำมันที่เก็บไว้อยู่ในสถานที่ที่ห่างจากมือเด็ก
- เมื่อผสมน้ำมันเบนซินกับน้ำมันเครื่องสองจังหวะ ให้ใช้เฉพาะน้ำมันเบนซินที่ไม่มีเอทานอลหรือเมทานอล (ประเภทของแอลกอฮอล์) ซึ่งจะช่วยป้องกันไม่ให้หม้อน้ำมันหรือชิ้นส่วนอื่นๆ ของเครื่องยนต์ชำรุด



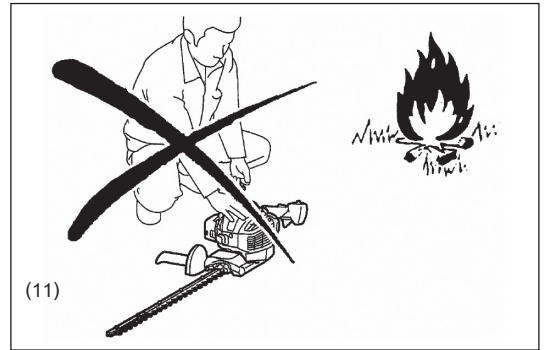
## วิธีการใช้งาน

- ใช้สองมือจับส่วนมือจับให้แน่นขณะใช้งาน
- ใช้งานเครื่องเล็มแนวรั้วพุ่มไม้ในสถานที่ที่มีแสงสว่างเพียงพอและทัศนวิสัยชัดเจนดีเท่านั้น ในระหว่างฤดูหนาว ใหระวังการลื่นหรือบริเวณที่เปียก น้ำแข็ง และหิมะ (อันตรายจากการลื่นล้ม) ยืนทรงตัวในลักษณะที่ปลอดภัยเสมอ
- อย่าทำงานบนพื้นที่ไม่มั่นคงหรือพื้นที่ลาดชัน
- ห้ามยืนบนบันไดและใช้งานเครื่องเล็มแนวรั้วพุ่มไม้
- ห้ามปีนต้นไม้เพื่อตัดต้นไม้ด้วยเครื่องเล็มแนวรั้วพุ่มไม้
- เพื่อลดความเสี่ยงในการหล่นและสูญเสียการควบคุม อย่าเดินถอยหลังในขณะที่ใช้งานเครื่องจักร
- ดับเครื่องยนต์เสมอก่อนทำความสะอาดหรือบำรุงรักษาตัวเครื่องหรืออะไหล่
- อย่าใช้งานเครื่องจักรที่ไม่มีดชาร์จหรือสึกหรอมากเกินไป



## คำแนะนำในการบำรุงรักษา

- ควบรักษาสิ่งแวดล้อม ใช้งานเครื่องเล็มแนวรั้วพุ่มไม้โดยไม่ให้เกิดเสียงรบกวนและมลภาวะน้อยที่สุดเท่าที่จะทำได้ โดยเฉพาะอย่างยิ่งให้ตรวจสอบการปรับคาร์บูเรเตอร์ให้ถูกต้อง
- หมั่นทำความสะอาดเครื่องเล็มแนวรั้วพุ่มไม้เป็นประจำและตรวจสอบวาล์วและน็อตทุกตัวขึ้นแน่นเรียบร้อยดี
- ห้ามบำรุงรักษาหรือเก็บเครื่องเล็มแนวรั้วพุ่มไม้ในบริเวณที่มีไฟ ประกายไฟ ฯลฯ (11)
- ให้เก็บเครื่องเล็มแนวรั้วพุ่มไม้ในท้องที่ล็อกไว้ซึ่งมีอากาศถ่ายเทได้สะดวกและไม่มีน้ำมันเครื่องในถังน้ำมันเชื้อเพลิงให้พ้นมือเด็ก
- อย่าพยายามซ่อมเครื่องจักรหากท่านไม่ใช่ผู้เชี่ยวชาญ



สังเกตและปฏิบัติตามคำแนะนำในการป้องกันอุบัติเหตุที่เกี่ยวข้องทั้งหมดซึ่งออกโดยคณะกรรมการด้านความปลอดภัยขององค์กรการค้าและบริษัทประกันภัย

อย่าตัดแปลงแก้ไขเครื่องเล็มแนวรั้วพุ่มไม้ มิฉะนั้นท่านอาจได้รับอันตราย

ความสามารถในการบำรุงรักษาหรือการซ่อมแซมโดยผู้ใช้งานจำกัดอยู่แต่เฉพาะที่ได้อธิบายไว้ในคู่มือนี้ งานซ่อมแซมอื่นๆ ต้องดำเนินการโดยเจ้าหน้าที่ของศูนย์บริการอย่างเป็นทางการ

ใช้เฉพาะอะไหล่และอุปกรณ์เสริมแท้ของ MAKITA หรือศูนย์บริการที่ได้รับอนุญาตเท่านั้น

การใช้งานอุปกรณ์เสริมและเครื่องมือที่ไม่ผ่านการรับรองจะเพิ่มความเสี่ยงที่จะได้รับอันตรายและการบาดเจ็บ MAKITA จะไม่ชดใช้ค่าเสียหายใดๆ ที่เกิดจากอุบัติเหตุหรือความเสียหายที่มาจากการใช้งานอุปกรณ์เสริมที่ไม่ผ่านการรับรอง

## การปฐมพยาบาลเบื้องต้น

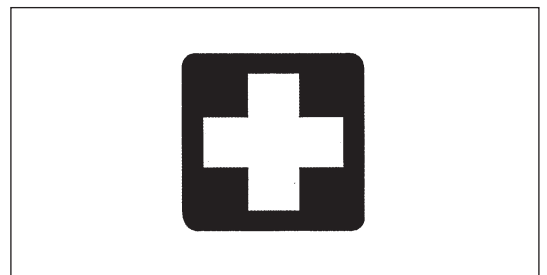
ในกรณีที่เกิดอุบัติเหตุต้องแน่ใจว่ามีชุดปฐมพยาบาลที่ตรงตามข้อกำหนด DIN 13164 พร้อม

ใช้งานในบริเวณที่ทำการตัดพุ่มไม้

ควรได้คืนสิ่งของในชุดปฐมพยาบาลที่นำออกมาไว้เช่นเดิม

เมื่อต้องการขอความช่วยเหลือ โปรดแจ้งข้อมูลดังนี้:

- สถานที่ที่เกิดอุบัติเหตุ
- สิ่งที่เกิดขึ้น
- จำนวนผู้บาดเจ็บ
- ความรุนแรงของการบาดเจ็บ
- ชื่อของท่าน



## การบรรจุ

เครื่องเล็มแนวรั้วพุ่มไม้ MAKITA ขนส่งมาในกล่องกระดาษแข็งกันกระแทกเพื่อป้องกันความเสียหายที่เกิดจากการขนส่ง กระดาษแข็งถือเป็นวัสดุคืบพื้นฐาน ดังนั้น จึงสามารถนำมาใช้ซ้ำหรือเหมาะสำหรับการรีไซเคิล (การรีไซเคิลกระดาษที่ใช้แล้ว)

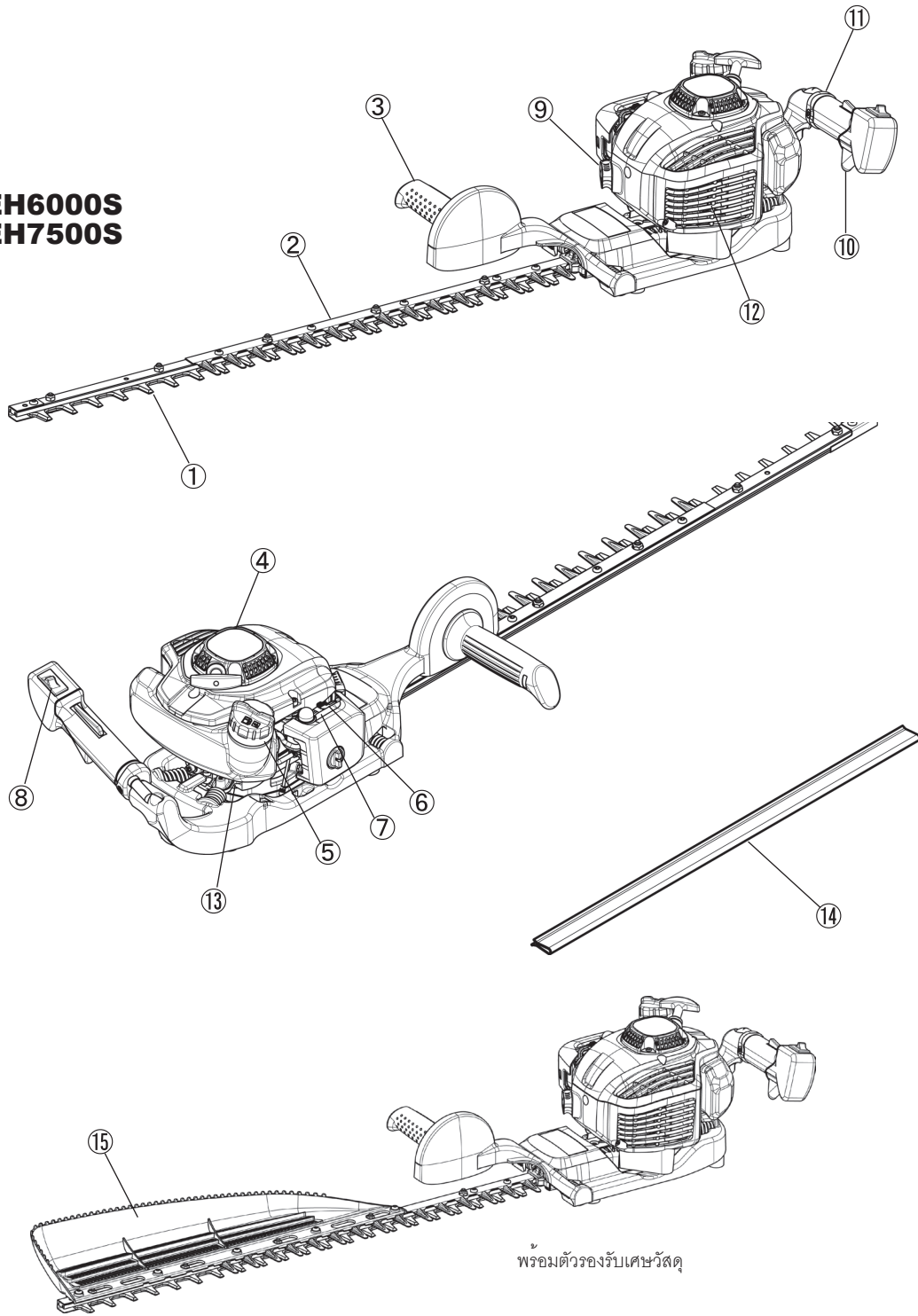


## ข้อมูลทางเทคนิค

รุ่น	EH6000S		EH7500S		
		พร้อมตัวรองรับ เศษวัสดุ		พร้อมตัวรองรับ เศษวัสดุ	
ขนาด (ยาว x กว้าง x สูง)	มม.	1,010 x 323 x 212		1,150 x 323 x 212	
น้ำหนัก (ไม่รวมฝาครอบใบมีด)	กก.	4.5	4.7	4.7	4.9
ปริมาณ (ถึงน้ำมันเชื้อเพลิง)	ลิตร	0.4			
ความจุของเครื่องยนต์	ซม. <sup>3</sup>	22.2			
ความยาวใบมีด	มม.	588		728	
สมรรถนะเครื่องยนต์สูงสุด	กิโลวัตต์	0.68			
ระยะชักต่อนาที	นาที <sup>-1</sup>	4,390			
ความเร็วรอบเดินเบา	นาที <sup>-1</sup>	3,000			
ความเร็วในการใช้คัตเตอร์	นาที <sup>-1</sup>	4,000			
ประเภทคาร์บูเรเตอร์	ประเภท	WALBRO WYL			
ระบบการจุดระเบิด	ประเภท	การจุดระเบิดแบบ solid state			
หัวเทียน	ประเภท	NGK CMR6A			
ระยะห่างเขี้ยวหัวเทียน	มม.	0.7 - 0.8			
อัตราส่วนผสม (น้ำมัน: น้ำมันเครื่องสังเคราะห์ของ MAKITA)		50 : 1			
อัตราทดเกียร์		9 : 43			

ส่วนประกอบต่างๆ

**EH6000S**  
**EH7500S**



พร้อมตัวรองรับเศษวัสดุ

ส่วนประกอบต่างๆ		ส่วนประกอบต่างๆ		ส่วนประกอบต่างๆ	
1	ใบมีด	7	คาร์บูเรเตอร์	13	กระปุกเกียร์
2	สันใบมีด	8	สวิตช์ I-O (เปิด-ปิด)	14	ปลอกใบมีด
3	มือจับด้านหน้า	9	หัวเทียน	15	ตัวรองรับเศษวัสดุ
4	สตาร์ทเตอร์แบบขด	10	คันทรง		
5	ฝาปิดถังน้ำมันเชื้อเพลิง	11	มือจับด้านหลัง		
6	คันทิ้ง	12	หม้อลดเสียง		

## น้ำมันเชื้อเพลิง/การเติมน้ำมัน

### น้ำมันเชื้อเพลิงและน้ำมันผสม

- เครื่องยนต์ของเครื่องเล็มแนวรั้วพุ่มไม้เป็นเครื่องยนต์สองจังหวะประสิทธิภาพสูง เครื่องยนต์ทำงานด้วยการผสมของน้ำมันเชื้อเพลิงและน้ำมันเครื่องสองจังหวะ เครื่องยนต์ได้รับการออกแบบมาให้ใช้น้ำมันโรสารตะกั่วทั่วไปที่มีค่าออกเทนต่ำสุด 91 ROZ หากไม่สามารถหาน้ำมันเชื้อเพลิงได้ ท่านสามารถใช้น้ำมันที่มีค่าออกเทนสูงกว่านี้ ซึ่งจะไม่ทำให้เครื่องยนต์เสียหายแต่อาจส่งผลให้ประสิทธิภาพการทำงานลดลง กรณีที่คล้ายคลึงกันนี้จะเกิดขึ้นได้จากการใช้น้ำมันที่ผสมสารตะกั่ว เพื่อให้เกิดประสิทธิภาพการทำงานของเครื่องยนต์สูงสุดและปกป้องสุขภาพของท่านตลอดจนสิ่งแวดล้อม ควรใช้น้ำมันโรสารตะกั่วเท่านั้น!
- ในการหล่อลื่นเครื่องยนต์ ให้ใช้น้ำมันเครื่องสองจังหวะ (เกรดคุณภาพ: TSC-3) ซึ่งเติมผสมในน้ำมันเชื้อเพลิง เครื่องยนต์ได้รับการออกแบบมาสำหรับให้ใช้น้ำมันเครื่องสองจังหวะของ MAKITA และใช้อัตราส่วนผสม 50:1 เพื่อปกป้องสิ่งแวดล้อมโดยเฉพาะ นอกจากนี้ ยังรับประกันได้ถึงอายุการใช้งานที่ยาวนานและความไว้วางใจได้ในการทำงานซึ่งจะปล่อยก๊าซไอเสียน้อยที่สุด การใช้อัตราส่วนผสม 50:1 (น้ำมันเครื่องสองจังหวะของ MAKITA) ถือเป็นเรื่องสำคัญ มิฉะนั้น อาจไม่สามารถรับรองได้ถึงการทำงานที่มีประสิทธิภาพของเครื่องเล็มแนวรั้วพุ่มไม้
- อัตราส่วนผสมที่ถูกต้อง:  
น้ำมันเบนซิน: น้ำมันเครื่องสองจังหวะที่กำหนด = 50 : 1 หรือ  
น้ำมันเบนซิน: น้ำมันเครื่องสองจังหวะของผู้ผลิตรายอื่น = แนะนำ 25 : 1

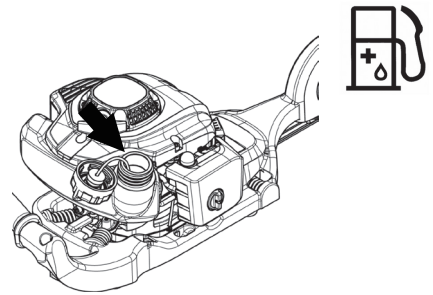
**หมายเหตุ:** ในการเตรียมส่วนผสมน้ำมันเชื้อเพลิง ขั้นแรก ให้ผสมน้ำมันเครื่องทั้งหมดเข้ากับน้ำมันเชื้อเพลิงที่กำหนดในปริมาณครึ่งหนึ่งลงในภาชนะที่ผ่านการรับรอง ซึ่งภาชนะดังกล่าวอาจตรงหรือสูงกว่ามาตรฐานรหัสท้องถิ่น จากนั้นจึงเติมน้ำมันเชื้อเพลิงที่เหลือเข้าส่วนผสมให้เข้ากันก่อนเติมลงในถังน้ำมันของเครื่องเล็มแนวรั้วพุ่มไม้ ไม่ควรเติมน้ำมันเครื่องเกินกว่าที่กำหนดเพื่อความปลอดภัยในการใช้งาน เนื่องจากจะทำให้เกิดคราบจากการเผาไหม้สูงขึ้นจนก่อให้เกิดมลพิษต่อสิ่งแวดล้อมและทำให้เกิดการอุดตันที่ช่องไอเสียในระบบท่อรวมทั้งหม้อลดเสียง นอกจากนี้ การสลับเปลี่ยนน้ำมันเชื้อเพลิงจะสูงขึ้นและประสิทธิภาพจะลดลง

### การจัดการกับผลิตภัณฑ์น้ำมัน

ต้องจัดการกับน้ำมันเชื้อเพลิงอย่างระมัดระวัง น้ำมันเชื้อเพลิงอาจมีสารที่คล้ายคลึงกับตัวทำลายอยู่ ให้เติมน้ำมันในพื้นที่ที่อากาศถ่ายเทได้สะดวกหรือภายนอกอาคาร อย่าสูดไอน้ำมันเชื้อเพลิง หลีกเลี่ยงไม่ให้ น้ำมันเชื้อเพลิงหรือน้ำมันเครื่องสัมผัสถูกผิวหนัง หากผิวหนังของท่านสัมผัสกับสารเหล่านี้บ่อยๆ และเป็นระยะเวลานาน ผิวหนังอาจแห้งได้ อาจเกิดโรคผิวหนังหลายชนิดตามมาได้ นอกจากนี้ อาจเกิดปฏิกิริยาอาการแพ้ ระคายเคืองตา เมื่อสัมผัสกับน้ำมันเครื่อง น้ำมันเชื้อเพลิง ฯลฯ หากน้ำมันเครื่อง น้ำมันเชื้อเพลิง ฯลฯ กระเด็นเข้าตา ให้ล้างด้วยน้ำสะอาดทันที หากยังคงระคายเคืองตา ให้พบแพทย์ทันที!



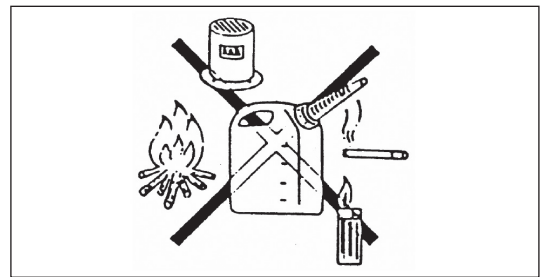
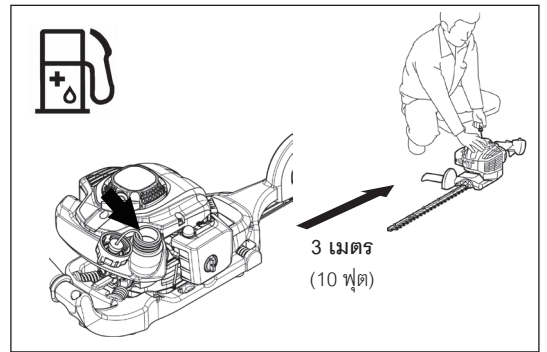
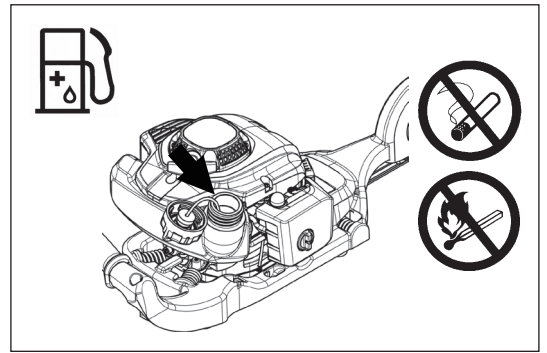
ปฏิบัติตามคำแนะนำเรื่องความปลอดภัยในหน้า 19



น้ำมันเบนซิน	+	น้ำมันเครื่อง
	50:1	
	50:1	
1,000 ซม. <sup>3</sup> (1 ลิตร) 5,000 ซม. <sup>3</sup> (5 ลิตร) 10,000 ซม. <sup>3</sup> (10 ลิตร)		20 ซม. <sup>3</sup> 40 ซม. <sup>3</sup> 100 ซม. <sup>3</sup> 200 ซม. <sup>3</sup> 200 ซม. <sup>3</sup> 400 ซม. <sup>3</sup>

## การเติมน้ำมัน

- ดับเครื่องยนต์
- ดับเครื่องยนต์ขณะเติมน้ำมัน อยู่ห่างจากเปลวไฟและห้ามสูบบุหรี่
- ระวังอย่าทำน้ำมันหรือน้ำมันเครื่องหกเพื่อป้องกันการปนเปื้อนของดิน (การปกป้องสิ่งแวดล้อม)
- ทำความสะอาดเครื่องเล็มแนวรั้วพุ่มไม้ทันทีที่น้ำมันหก
- อย่าทำน้ำมันเชื้อเพลิงหกบนเครื่องยนต์ ให้เช็ดออกหากจำเป็นเพื่อหลีกเลี่ยงการเกิดไฟไหม้
- ระวังไม่ให้เสื้อผ้าของท่านเปื้อนน้ำมัน เปลี่ยนเสื้อผ้าทันทีถ้ามีน้ำมันหกรด (เพื่อป้องกันเสื้อผ้าติดไฟ)
- หมั่นตรวจสอบฝาปิดถังน้ำมันเป็นประจำเพื่อให้แน่ใจว่าปิดได้อย่างแน่นสนิท และไม่มีน้ำมันรั่ว
- หมุนปิดฝาปิดถังน้ำมันเชื้อเพลิงอย่างระมัดระวัง เปลี่ยนสถานที่ก่อนสตาร์ทเครื่องยนต์ (ห่างจากสถานที่เติมน้ำมันอย่างน้อย 3 เมตร)
- อย่าเติมน้ำมันในห้องปิด เพราะไอน้ำมันจะสะสมรวมตัวกันอยู่ในระดับพื้นดิน (อันตรายจากการระเบิด)
- ให้ขนย้ายและเก็บน้ำมันไว้ในภาชนะบรรจุที่ผ่านการรับรองแล้วเท่านั้น ตรวจสอบให้แน่ใจว่าน้ำมันที่เก็บไว้อยู่พ้นจากมือเด็ก
- ทำความสะอาดรอบๆ ฝาปิดถังน้ำมันเพื่อป้องกันไม่ให้สิ่งสกปรกปนเปื้อนลงไปจนถึงน้ำมัน
- คลายปลั๊กและเติมน้ำมันเชื้อเพลิงลงในถัง ไขกุญแจเพื่อกรองน้ำมัน
- ชันแน่นสกรูบนปลั๊กด้วยมือเท่านั้น
- ทำความสะอาดรอบๆ ปลั๊กสกรูและถังน้ำมันหลังจากเติมน้ำมันแล้ว
- หมั่นเช็ดน้ำมันเชื้อเพลิงที่หกเพื่อป้องกันไฟไหม้

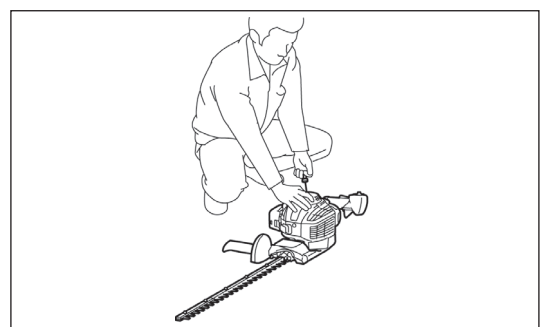
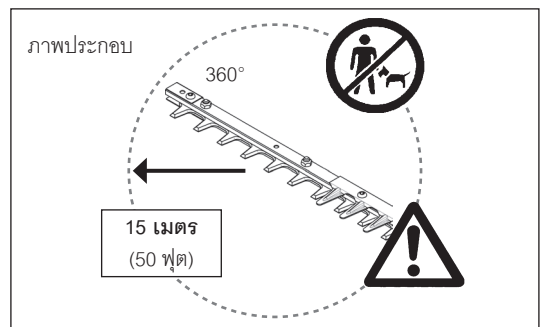


## การเก็บน้ำมันเชื้อเพลิง

- ไม่สามารถเก็บน้ำมันเชื้อเพลิงไว้นานเกินกว่าระยะเวลาที่กำหนดได้
- ชื่อเฉพาะน้ำมันคุณภาพที่กำหนดให้ใช้ได้ 4 สัปดาห์
- ใช้ภาชนะที่เก็บน้ำมันเชื้อเพลิงที่ผ่านการรับรองแล้วเท่านั้น

## ข้อควรระวังก่อนการสตาร์ท

- โปรดตรวจสอบให้แน่ใจว่า ไม่มีเด็กหรือบุคคลอื่นอยู่ในสถานที่ปฏิบัติงานในช่วงรัศมี 15 เมตร และควรระวังสัตว์ซึ่งอยู่ในบริเวณที่มีการทำงานด้วย
- ก่อนใช้งาน ให้ตรวจสอบความปลอดภัยในการใช้งานของเครื่องเล็มแนวรั้วพุ่มไม้ ตรวจสอบใบมีดว่าไม่ชำรุด คันควบคุมต้องใช้งานได้ง่ายและตรวจสอบการทำงานที่ถูกต้องของสวิตช์ I-O
- อนุญาตให้หมุนใบมีดขณะใช้ความเร็วรอบเดินเบา หากมีข้อสงสัยเรื่องการปรับ ให้ตรวจสอบกับตัวแทนจำหน่ายของท่าน ตรวจสอบว่ามีข้อจับสะอาดและแห้ง รวมทั้งทดสอบการทำงานของสวิตช์ I-O
- สตาร์ทเครื่องเล็มแนวรั้วพุ่มไม้ตามคำแนะนำเท่านั้น ห้ามใช้วิธีการอื่นในการสตาร์ทเครื่องยนต์โดยเด็ดขาด (ดูการสตาร์ท)
- สตาร์ทเครื่องยนต์ของเครื่องเล็มแนวรั้วพุ่มไม้หลังจากที่ติดตั้งส่วนประกอบของเครื่องเล็มแนวรั้วพุ่มไม้ครบสมบูรณ์แล้วเท่านั้น อนุญาตให้ใช้งานเครื่องจักรหลังจากที่ติดตั้งส่วนประกอบที่จำเป็นครบหมดแล้วเท่านั้น มิฉะนั้น อาจเกิดความเสี่ยงในการบาดเจ็บได้
- ก่อนสตาร์ทเครื่อง ต้องแน่ใจว่าใบมีดไม่สัมผัสกับวัตถุ เช่น กิ่งไม้ ก้อนหิน ฯลฯ
- ก่อนเล็มพุ่มไม้ ให้ตรวจสอบพื้นที่ว่ามีลวด สายไฟ แก้ว หรือสิ่งแปลกปลอมอื่นๆ ที่อาจสัมผัสกับใบมีดได้หรือไม่
- ไฟฟ้าลัด ให้ระมัดระวังสายไฟและรั้วไฟฟ้าทั้งหมด ตรวจสอบพื้นที่ทั้งหมดเพื่อดูว่ามีสายไฟหรือไม้ก่อนเล็มพุ่มไม้





## การสตาร์ทเครื่องยนต์

ออกห่างจากสถานที่เติมน้ำมันอย่างน้อย 3 เมตร วางเครื่องเล็มแนวรั้วพุ่มไม้บนพื้นที่สะอาดเพื่อให้แน่ใจว่าเครื่องเล็มแนวรั้วพุ่มไม้ไม่สัมผัสกับพื้นหรือวัตถุอื่น ๆ

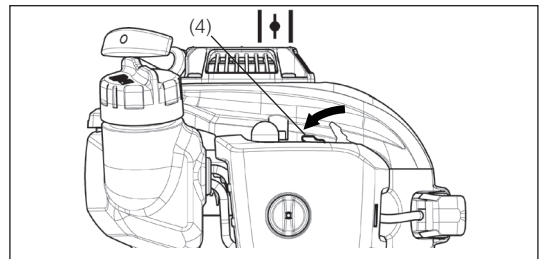
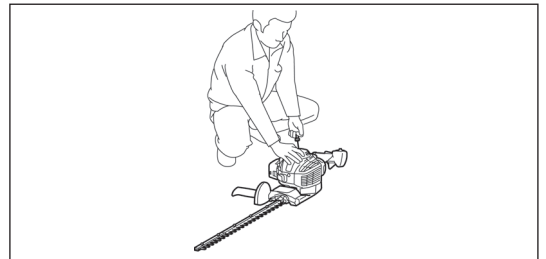
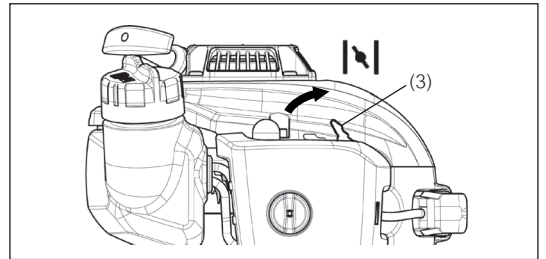
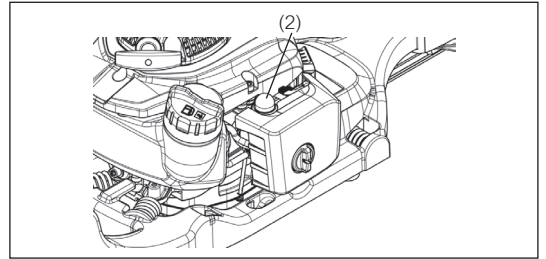
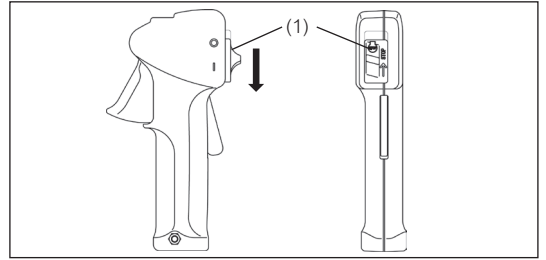
**การสตาร์ทในขณะที่เครื่องยนต์เย็นหรือดับเกินกว่า 5 นาที หรือเมื่อเติมน้ำมันลงในเครื่องยนต์)**

1. กดสวิตช์ I-O (1) ไปยังตำแหน่ง "I"
2. กดปุ่มหลักเบาๆ (2) ซ้ำๆ (7 ถึง 10 ครั้ง) จนกระทั่งน้ำมันเชื้อเพลิงไหลลงสู่ปั๊มหลัก
3. เลื่อนคันโยก (3) ไปยังตำแหน่ง "I/II"
4. ถือเครื่องในระดับต่ำอย่างมั่นคงเพื่อที่ว่าท่านจะได้ไม่สูญเสียการควบคุมขณะสตาร์ทเครื่องยนต์ หากไม่ถือเครื่องในระดับต่ำ เครื่องยนต์อาจจะชากหรือเหวี่ยงไม่มีดไล่กิ่งกีดขวางหรือตัวท่านได้
5. ดึงสตาร์ทเตอร์แบบมือดึงซ้ำๆ 10 ถึง 15 ซม. และตรวจสอบตำแหน่งของแรงดัน
6. ดึงแรงๆ เมื่อรู้สึกได้ถึงแรงดันและสตาร์ทเครื่องยนต์
7. เมื่อเครื่องยนต์สตาร์ท ให้เลื่อนคันโยก (4) กลับไปยังตำแหน่ง "I/II"
8. เดินเครื่องประมาณหนึ่งนาทีด้วยความเร็วปานกลางก่อนใช้ความเร็วสูงสุด

**หมายเหตุ:** หากดึงสตาร์ทเตอร์แบบมือดึงซ้ำๆ เมื่อคันโยกยังคงอยู่ที่ตำแหน่ง "I/II" เครื่องยนต์จะสตาร์ทติดยากเนื่องจากมีน้ำมันเชื้อเพลิงไหลเข้ามาเกินไป  
 • ในกรณีที่น้ำมันเชื้อเพลิงมากเกินไป ให้ถอดหัวเทียนและดึงสตาร์ทเตอร์แบบมือดึงซ้ำๆ เพื่อถ่ายน้ำมันส่วนเกินออก และให้เช็ดส่วนที่เป็นอิเล็กทรอนิกส์ของหัวเทียนให้แห้ง

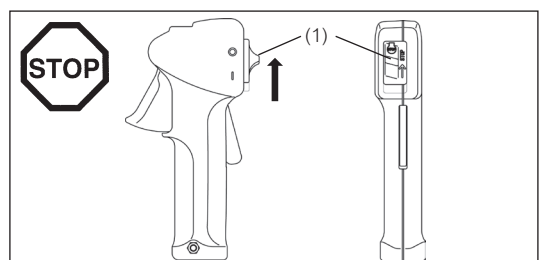
**การสตาร์ทในขณะที่เครื่องร้อน:** (สตาร์ทซ้ำทันทีหลังจากที่เครื่องยนต์ดับ) เมื่อรีสตาร์ทเครื่องยนต์ที่ยังร้อน ขึ้นแรกให้ลองทำตามขั้นตอนด้านบน: 1, 2, 4, 5, 6 หากเครื่องยนต์สตาร์ทไม่ติด ให้ทำซ้ำขั้นตอน 1-8

**หมายเหตุ:** อย่าดึงเชือกสตาร์ทเตอร์จนสุดและอย่าปล่อยให้สตาร์ทเตอร์แบบมือจับหดกลับโดยไม่ได้ควบคุมเอาไว้ ต้องแน่ใจว่ามีมือจับคอยหดกลับอย่างช้าๆ



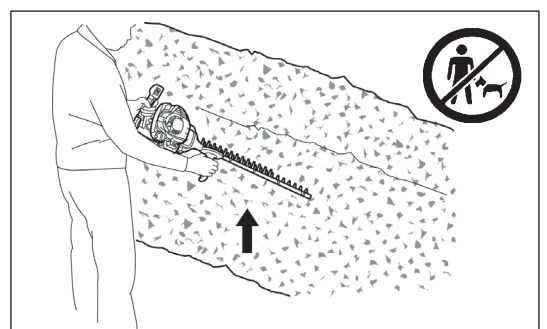
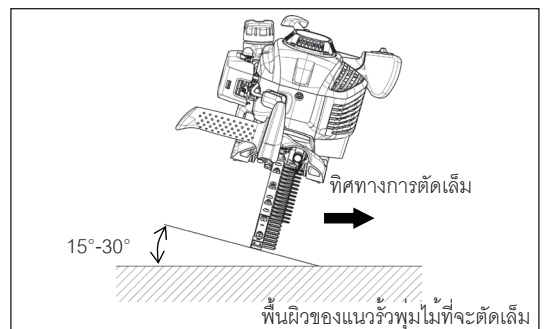
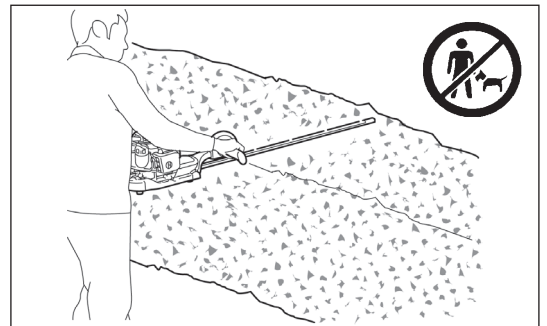
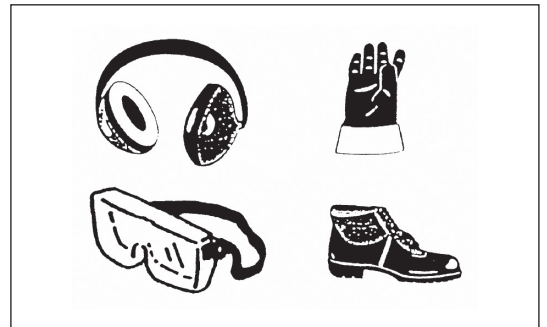
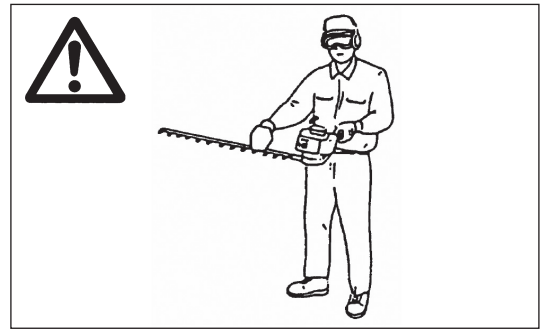
## การดับเครื่องยนต์

1. ปล่อยให้เครื่องเย็นจนสุด
2. กดสวิตช์ I-O (1) ไปยังตำแหน่ง "O" การหมุนของเครื่องยนต์จะช้าลงและเครื่องยนต์จะดับ



## การใช้งานเครื่อง

- ห้ามใช้งานหากจับเครื่องได้ไม่แน่น
- ห้ามจับใบมีดเมื่อสตาร์ทเครื่องยนต์และขณะใช้งานอยู่
- ใช้งานเครื่องเล็มแนวรั้วพุ่มไม้ในลักษณะที่สามารถหลีกเลี่ยงการสะดุดตกท่าชไอเสีย ห้ามใช้งานเครื่องเล็มแนวรั้วพุ่มไม้ในห้องปิด (อันตรายจากก๊าซพิษ) ควรระบายอากาศเป็นก๊าซที่ไม่มีกลิ่น
- โปรดใช้งานเครื่องป้องกันและอุปกรณ์ป้องกันทั้งหมดที่ใหม่กับเครื่องจักรขณะใช้งาน
- ห้ามใช้งานเครื่องยนต์หากหม้อไอเสียผิดปกติหรือหากไม่มีหม้อไอเสีย
- ใช้เครื่องเล็มแนวรั้วพุ่มไม้ในสถานที่ที่มีแสงสว่างเพียงพอและทัศนวิสัยชัดเจนเท่านั้น
- ในระหว่างฤดูหนาว ให้ระวังการลื่นหรือบริเวณที่เปียก น้ำแข็ง และหิมะ (อันตรายจากการลื่นล้ม) ยืนทรงตัวในลักษณะที่ปลอดภัยเสมอ
- ห้ามยืนบนบันไดและใช้งานเครื่องเล็มแนวรั้วพุ่มไม้ ยืนบนพื้นด้วยเท้าสองข้างที่มีมั่นคง
- ห้ามปีนต้นไม้เพื่อตัดต้นไม้ด้วยเครื่องเล็มแนวรั้วพุ่มไม้
- อย่าทำงานบนพื้นที่ไม่มั่นคง
- จัดทราย ก่อนหิน ตะปู ลวด ฯลฯ ที่พบอยู่ภายในพื้นที่ทำงาน วัตถุแปลกปลอมอาจทำให้ใบมีดชำรุดได้
- ก่อนเริ่มการตัด ความเร็วของใบมีดต้องมีเพียงพอที่จะทำงานได้
- ใช้มือทั้งสองข้างจับที่ส่วนมือจับเท่านั้นเพื่อถือเครื่องเล็มแนวรั้วพุ่มไม้อย่างมั่นคง
- ใช้มือขวาจับที่มือจับด้านหน้า
- วิธีนี้เป็นการใช้งานเครื่องจักรอย่างปลอดภัย
- ใช้นิ้วหัวแม่มือและนิ้วที่เหลือกำรอบส่วนของมือจับใหม่มั่นคง
- เมื่อท่านปล่อยคันเร่ง จะใช้เวลาอีกสักครู่ก่อนที่ใบมีดจะหยุดทำงาน
- ต้องไม่ใช่เครื่องตัดเล็มแนวรั้วพุ่มไม้เมื่อเครื่องเดินเบารอบสูงอยู่ และจะไม่สามารถปรับความเร็วในการตัดด้วยคันเร่งที่อยู่ในตำแหน่งเดินเบารอบสูง
- เมื่อตัดพุ่มไม้ที่ปลูกเป็นแนวรั้ว ต้องถือเครื่องให้ใบมีดทำมุม 15-30° ของแนวการตัด
- หากใช้เครื่องเล็มแนวรั้วพุ่มไม้โดยตัดหมุนในลักษณะที่เป็นวงกลมกับขอบของแนวรั้วพุ่มไม้ ก็จะไม่จะกระเด็นลงสู่พื้นได้โดยตรง
- ควรระมัดระวังเป็นพิเศษเมื่อตัดพุ่มไม้ที่ปลูกเป็นแนวรั้วซึ่งมีลวดหนามและสายดินอยู่ด้วย
- ใบมีดต้องไม่สัมผัสรั้ว มิฉะนั้น ใบมีดอาจชำรุดได้
- อย่าใช้เครื่องเล็มแนวรั้วพุ่มไม้ติดต่อกันเป็นเวลานาน ปกติแล้วต้องหยุดพัก 10 ถึง 15 นาที หลังจากการใช้งานทุกๆ 50 นาที
- หากใบมีดกระทบกับก้อนหินหรือวัตถุแข็งอื่นๆ ให้ดับเครื่องยนต์ทันทีและตรวจสอบใบมีดดูการชำรุด ให้เปลี่ยนใบมีดที่ชำรุดก่อนเริ่มทำงานอีกครั้ง
- ในกรณีที่เกิดปัญหาใดๆ ที่เครื่องยนต์ ให้ดับเครื่องยนต์ทันที
- ใช้งานเครื่องเล็มแนวรั้วพุ่มไม้โดยไม่ให้เกิดเสียงรบกวนและมลภาวะน้อยที่สุดเท่าที่จะทำได้ โดยเฉพาะอย่างยิ่งให้ตรวจสอบการปรับคาร์บูเรเตอร์และอัตราส่วนน้ำมันเชื้อเพลิง/น้ำมันให้ถูกต้อง
- อย่าพยายามขจัดเศษวัสดุที่ติดค้างอยู่ขณะที่ใบมีดยังทำงาน ให้วางเครื่องลง ปิดการทำงาน และขจัดสิ่งๆ ที่ติดอยู่



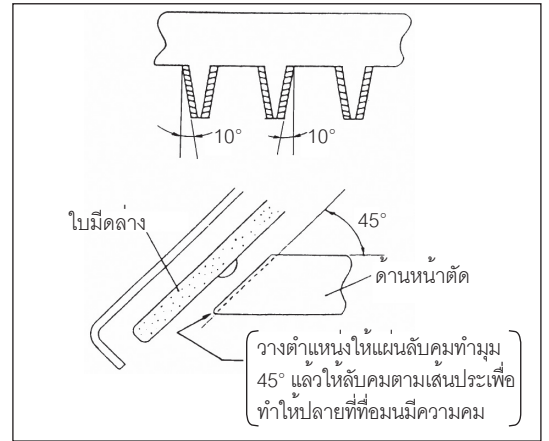
## คำแนะนำในการบำรุงรักษา

- ดับเครื่องยนต์และขั้วต่อถอดหัวเทียนเมื่อเปลี่ยนหรือลับคมใบมีด และเมื่อทำความสะอาดใบมีด ดูอุปกรณ์ตัด หรือทำการบำรุงรักษา
- ห้ามตัดตรงหรือเชื่อมใบมีดที่ชำรุด
- ตรวจสอบใบมีดเมื่อดับเครื่องยนต์แล้ว โดยให้หมั่นตรวจสอบดูการชำรุด
- (ตรวจสอบรอยแตกเป็นเส้นด้วยวิธีการทดสอบเสียงจากการเคาะ) ระวังระวังพื้นของใบมีดที่แหลมคม
- ทำความสะอาดเครื่องเล็มแนวรั้วพุ่มไม้สม่ำเสมอและตรวจสอบว่าสกรูและน็อตทั้งหมดขันแน่นดีแล้ว
- ห้ามซ่อมบำรุงหรือเก็บเครื่องเล็มแนวรั้วพุ่มไม้ในบริเวณที่มีเปลวไฟเพื่อหลีกเลี่ยงไฟไหม้
- ให้สวมถุงมือหนังเสมอเมื่อถือหรือลับใบมีดเนื่องจากใบมีดคม

### การลับใบมีด

หากใบมีดทื่อและตัดได้ไม่ดี ให้ลับคมส่วนที่เป็นสี่เหลี่ยมที่เท่ากัน อย่าลับคมบริเวณหน้าสัมผัส (ส่วนที่เลื่อนได้) ตรงด้านบนและด้านล่างของใบมีด

- ก่อนเริ่มลับคม ต้องแน่ใจว่าได้ยึดใบมีดไว้แน่นดีแล้ว ดับเครื่องยนต์และถอดฝาครอบหัวเทียน
- สวมถุงมือ แวนตาป้องกัน ฯลฯ
- คมใบมีดถูกลับให้คมจนเกินไปในครั้งเดียวหรือหลายครั้งจะทำให้ใบมีดบางลง และจะทื่ออย่างรวดเร็วเมื่อใช้งาน



### การปรับใบมีด

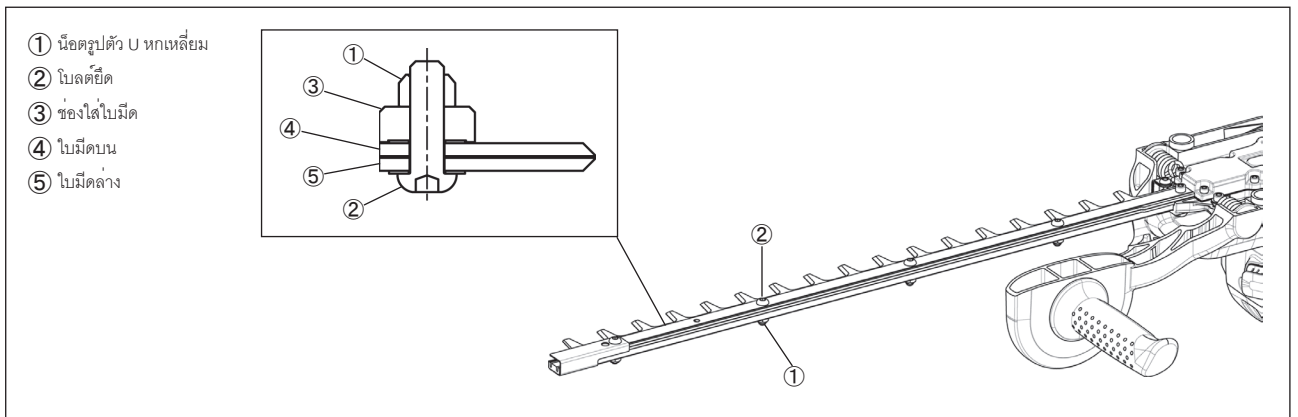
ใบมีดจะสึกเมื่อใช้งานนาน หากท่านรู้สึกว่าการตัดเล็มไม่ดีเท่าใบมีดใหม่ ให้ปรับใบมีดดังนี้

1. หมุนน็อต ① ให้หลวม
2. ค่อยๆ ขันน็อต ② ลงในช่องจนกระทั่งไม่สามารถหมุนไปได้ จากนั้นให้คลายออกหนึ่งในสี่ส่วน
3. หมุนน็อต ① ให้แน่น พร้อมกับใช้ประแจเหล็กเหลี่ยมยึดน็อต ②
4. หลอกลื่นใบมีดด้วยน้ำมันเบา (light oil) หลังจากการปรับตามวิธีการด้านบนแล้ว
5. สตาร์ทเครื่องยนต์และเร่งเครื่องเปิด-ปิดนานหนึ่งนาที
6. ดับเครื่องยนต์และใช้มือของท่านสัมผัสใบมีด หากใบมีดอุ่นพอที่ท่านจะสามารถจับใบมีดได้ แสดงว่าท่านทำการปรับได้พอดีแล้ว หากว่าใบมีดร้อนเกินไปที่ท่านจะจับได้ ให้หมุนคลายน็อต ② อีกเล็กน้อยและทำซ้ำขั้นตอน 5 เพื่อดูว่าปรับใบมีดได้เข้าที่ดีแล้วหรือยัง.

หมายเหตุ: ต้องดับเครื่องยนต์ก่อนทำการปรับเสมอ

ใบมีดมีช่องอยู่รอบๆ สกรู ② หากท่านพบว่า มีฝุ่นละอองอยู่ที่ปลายของช่อง ให้ขจัดออก

หมายเหตุ: สำหรับเวลาที่เพียงพอในการหยุดใบมีด (EN774) ต้องแน่ใจว่าได้ปรับใบมีดก่อนเริ่มใช้งาน



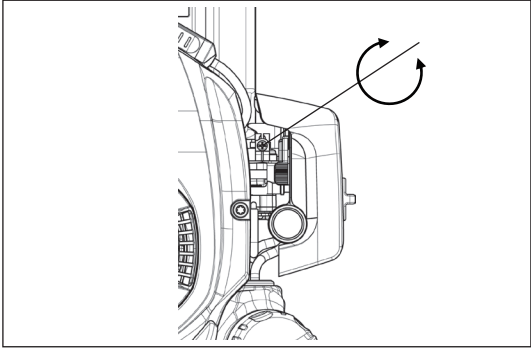
### การตรวจสอบและการปรับความเร็วรอบเดินเบา

ใบมีดไม่ควรทำงานเมื่อปล่อยคันควบคุมจนสุด

- ควรปรับความเร็วรอบเดินเบาไปที่ 3,000 นาที<sup>-1</sup>
- หากจำเป็น ให้ปรับความเร็วด้วยสกรูเดินเบา (ใบมีดต้องไม่ทำงานเมื่อเครื่องยนต์เดินเบา)
  - ตามเข็มนาฬิกา: เพื่อให้อัตราการหมุนเร็วขึ้น
  - ทวนเข็มนาฬิกา: เพื่อให้อัตราการหมุนช้าลง

ตรวจสอบว่ามีความแตกต่างที่เพียงพอระหว่างความเร็วในการเดินเบาและการทำงานของคลัตช์เพื่อให้แน่ใจได้ว่าใบมีดจะไม่ทำงานขณะที่เครื่องยนต์เดินเบา (หากจำเป็น ให้ลดความเร็วรอบเดินเบา) หากเครื่องมือยังคงทำงานภายใต้การเดินเบา ให้ปรึกษาเจ้าหน้าที่ของศูนย์บริการอย่างเป็นทางการที่อยู่ใกล้ที่สุด

- คลัตช์ควรทำงานด้วยความเร็วต่ำสุด 3,750 นาที<sup>-1</sup>
- ตรวจสอบการทำงานของสวิตช์ I-O คันลือก คันควบคุม และปุ่มลือก



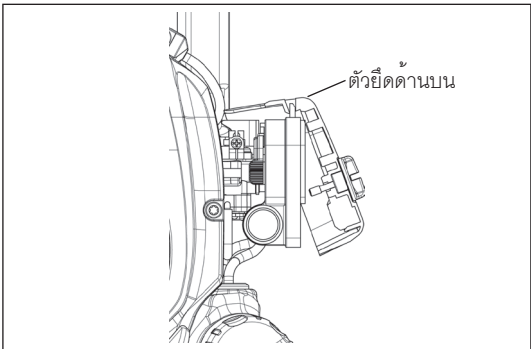
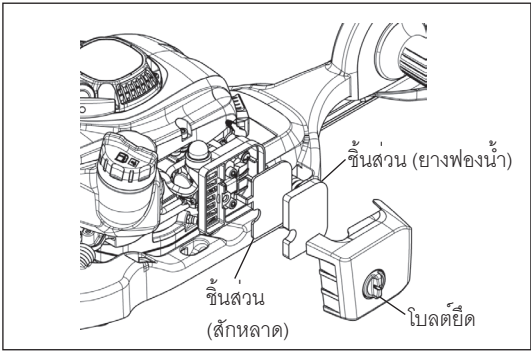
### การทำความสะอาดหม้อกรองอากาศ



อันตราย: ห้ามนำวัตถุไวไฟเข้าใกล้

ระยะเวลาการทำความสะอาดและการตรวจสอบ: ประจำวัน (ทุก ๆ ชั่วโมงการทำงาน 10 ชั่วโมง)

- หมุนคันโยกให้ไปด้านที่ปิดสนิท และขจัดฝุ่นละอองหรือสิ่งสกปรกที่คาร์บูเรเตอร์ออก
- หมุนโบลต์ยึดฝาครอบหม้อกรองอากาศ
- ดึงด้านล่างของฝาครอบและปลดฝาครอบหม้อกรองอากาศ
- หากมีน้ำมันติดอยู่ที่ชิ้นส่วน (ยางพองน้ำ) ให้บีบน้ำมันออก
- สำหรับการปนเปื้อนในระดับสูง:
  - 1) ถอดชิ้นส่วน (ยางพองน้ำ) ออก แล้วจุ่มลงในน้ำอุ่นหรือน้ำผสมผงซักฟอกที่มีฤทธิ์เป็นกลาง และผึ่งให้แห้งสนิท
  - 2) ทำความสะอาดชิ้นส่วน (สีกหลาย) ด้วยน้ำมันเบนซิน และผึ่งให้แห้งสนิท
- ก่อนติดตั้งชิ้นส่วน ต้องแน่ใจว่าชิ้นส่วนนั้นแห้งสนิทแล้ว ชิ้นส่วนที่ยังไม่แห้งสนิทอาจทำให้สตาร์ทเครื่องติดยาก
- เช็ดน้ำมันที่ติดอยู่รอบๆ หม้อกรองอากาศด้วยผ้าขี้ริ้ว
- หลังจากทำความสะอาดแล้ว ให้ติดตั้งฝาครอบหม้อกรองอากาศและขันแน่นให้เข้าที่ด้วยโบลต์ยึด (เมื่อประกอบกลับ ให้วางตรงตัวยึดด้านบนก่อน)

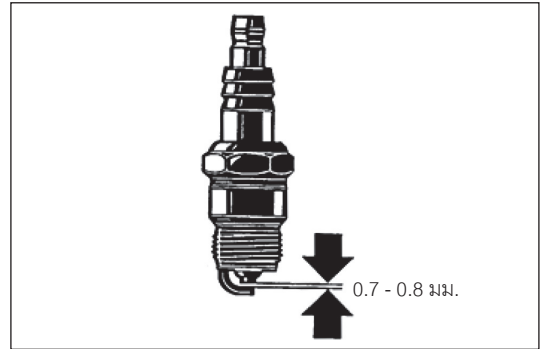


#### ข้อควรจำสำหรับการจัดการกับชิ้นส่วนของหม้อกรองอากาศ

- ทำความสะอาดชิ้นส่วนหลายๆ ครั้งต่อวัน หากมีฝุ่นละอองเกาะหนา
- หากยังคงใช้งานชิ้นส่วนที่มีน้ำมันติดอยู่ น้ำมันในหม้อกรองอากาศอาจไหลออกมาข้างนอก ทำให้เกิดการปนเปื้อนน้ำมัน

## การตรวจสอบหัวเทียน – ทุก ๆ 8 ชั่วโมง (ประจำวัน)

- ใช้ประแจปากตายที่มีเพื่อถอดหรือติดตั้งหัวเทียน
- ระยะห่างระหว่างขั้วทั้งสองของหัวเทียน คือ 0.7 ถึง 0.8 มม. หากมีระยะห่างมากเกินไปหรือน้อยเกินไป ให้ปรับระยะห่าง หากหัวเทียนจุดติดด้วยคาร์บอนหรือหัวเทียนสกปรก ให้ทำความสะอาดหรือเปลี่ยนใหม่ และควรใช้หัวเทียนแบบเดียวกัน



## การทากาจาระบีและสารหล่อลื่น

- ทากาจาระบีจากหัวอัดจาระบีทุก ๆ 50 ชั่วโมงการใช้งาน (Shell Alvania หมายเลข 3 หรือเทียบเท่า)

**คำเตือน:** ต้องแน่ใจว่าได้ดำเนินการดังกล่าวตามเวลาและใช้ปริมาณจาระบีที่กำหนด หากไม่ทากาจาระบีในระยะเวลาที่กำหนดหรือหากปริมาณจาระบีไม่เพียงพอ เครื่องจักรอาจเกิดปัญหาเนื่องจากไม่มีจาระบี

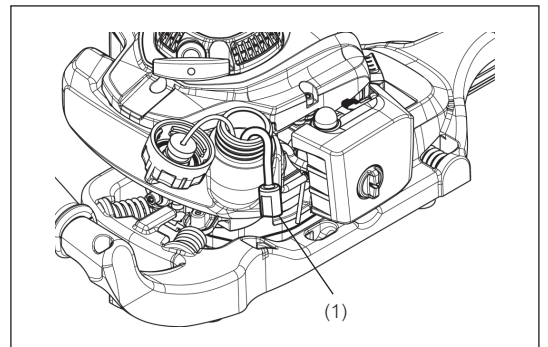
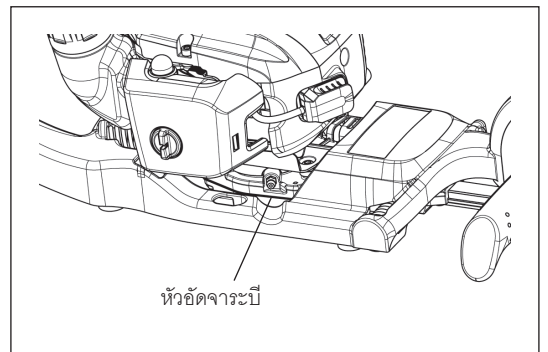
## การทำความสะอาดกรองน้ำมันเชื้อเพลิง

**หมายเหตุ:** ห้ามนำวัตถุไวไฟเข้าใกล้

ระยะเวลาการทำความสะอาดและการตรวจสอบ: รายเดือน (ทุก ๆ ชั่วโมงการทำงาน 50 ชั่วโมง)

## หัวดูดในถังน้ำมันเชื้อเพลิง

- กรองสีกหลาด (1) ของหัวดูดใช้เพื่อกรองน้ำมันเชื้อเพลิงที่ต้องใช้กับคาร์บูเรเตอร์
- ต้องตรวจสอบกรองสีกหลาดเป็นระยะๆ
- ในการตรวจสอบกรอง ให้เปิดฝาดังน้ำมันโดยใช้ตะขอลวดและดึงหัวดูดผ่านช่องเติมน้ำมัน  
ต้องเปลี่ยนกรองที่เริ่มแข็งตัว สกปรก หรืออุดตัน
- หากมีน้ำมันเชื้อเพลิงไม่เพียงพออาจทำให้ความเร็วสูงสุดเกินที่ได้อนุญาตไว้ ดังนั้น จึงจำเป็นต้องเปลี่ยนกรองสีกหลาดทุกสามเดือนเป็นอย่างน้อยเพื่อให้มั่นใจได้ถึงกาจ่ายเชื้อเพลิงอย่างเพียงพอไปยังคาร์บูเรเตอร์



## การเปลี่ยนท่อน้ำมัน

**ข้อควรระวัง:** ห้ามนำวัตถุไวไฟเข้าใกล้

ระยะเวลาการทำความสะอาดและการตรวจสอบ: ประจำวัน (ทุก ๆ ชั่วโมงการทำงาน 10 ชั่วโมง)

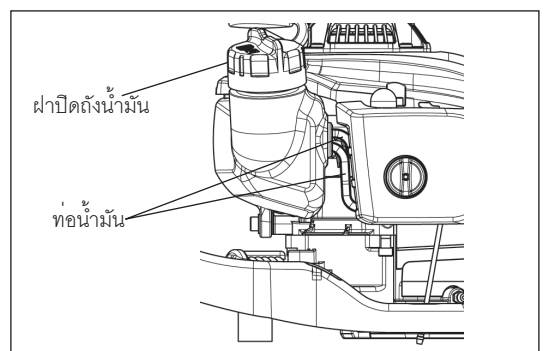
การเปลี่ยน: ทุกปี (ทุก ๆ ชั่วโมงการทำงาน 200 ชั่วโมง)

เปลี่ยนท่อน้ำมันทุกปีไม่ว่าจะใช้งานเครื่องบ่อยแค่ไหนก็ตาม การรั่วไหลของน้ำมันเชื้อเพลิงอาจทำให้เกิดไฟไหม้ได้

หากตรวจพบการรั่วไหล ให้เปลี่ยนท่อน้ำมันทันที

## การเปลี่ยนฝาดังน้ำมัน

- หากมีรอยตำหนิหรือการชำรุดที่ฝาดังน้ำมัน ให้เปลี่ยนฝาดัง
- ฝาดังน้ำมันเสื่อมสภาพได้ ดังนั้นจึงควรเปลี่ยนใหม่ทุก ๆ สองถึงสามปี



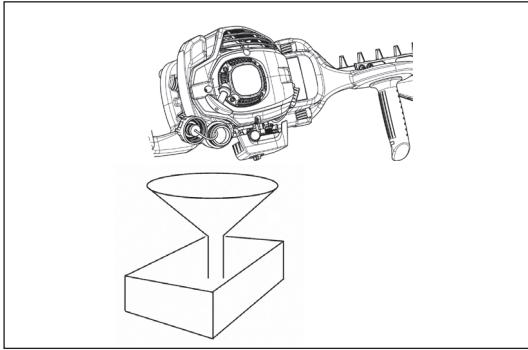
การบำรุงรักษาเครื่องหลังจากการปรับเปลี่ยนที่ไม่ได้รวมและอธิบายไว้ในคู่มือนี้ต้องดำเนินการโดยเจ้าหน้าที่ของศูนย์บริการอย่างเป็นทางการ

## การตรวจสอบประจำวันและการบำรุงรักษา

เพื่อให้แน่ใจได้ถึงอายุการใช้งานที่ยาวนานและหลีกเลี่ยงความเสี่ยงความเสียหายต่ออุปกรณ์ ให้บำรุงรักษาอย่างสม่ำเสมอ

- ก่อนการใช้งาน ให้ตรวจสอบเครื่องจักรเพื่อดูว่ามีสิ่งกีดขวางที่หลวมหรือชิ้นส่วนที่หายไปหรือไม่ ให้ตรวจสอบความแน่นของสกรูไขว้เป็นพิเศษ
- ก่อนการใช้งาน หมั่นตรวจสอบการอุดตันของทางเดินอากาศเย็นและครีบบอกกลับ หากจำเป็นให้ทำความสะอาด
- ให้ดำเนินการดังต่อไปนี้ทุกวันหลังจากการใช้งาน:
  - ทำความสะอาดภายนอกเครื่องเล็มแนวรั้วพุ่มไม้และตรวจสอบดูการชำรุด
  - ทำความสะอาดกรองอากาศ เมื่อทำงานภายใต้สภาวะที่มีฝุ่นละอองมาก ให้ทำความสะอาดกรองหลายๆ ครั้งต่อวัน
  - ตรวจสอบใบมีดการชำรุดและต้องแน่ใจว่าใบมีดติดแน่นสนิท

## การเก็บรักษา



- เมื่อไม่ได้ใช้งานเครื่องยนต์เป็นเวลานาน ให้ระบายน้ำมันเชื้อเพลิงออกจากถังน้ำมันและคาร์บูเรเตอร์ โดยระบายน้ำมันเชื้อเพลิงทั้งหมดออกจากถังน้ำมัน
- ถอดปลั๊กหัวเทียนและหยอดน้ำมันเครื่องสองสามหยดผ่านหัวเทียน จากนั้น จึงดึงสตาร์ทเตอร์เบาๆ เพื่อให้แน่ใจว่าน้ำมันเคลือบอยู่ภายในเครื่องยนต์และชั้นแน่นหัวเทียน
- ทำความสะอาดสิ่งสกปรกหรือฝุ่นละอองจากใบมีดและภายนอกเครื่องยนต์ ให้เช็ดออกด้วยผ้าชุบน้ำมันและเก็บเครื่องจักรไว้ในที่แห้งที่สุดเท่าที่ทำได้

## ตารางการบำรุงรักษา

ทั่วไป	ส่วนประกอบเครื่องยนต์ สกรูและน็อต	ตรวจสอบดูการชำรุดและการขันแน่น ตรวจสอบสภาพและความปลอดภัยทั่วไป
หลังจากการเติมน้ำมันแต่ละครั้ง	คันเร่ง สวิตช์ I-O	ตรวจสอบการทำงาน ตรวจสอบการทำงาน
รายวัน	กรองอากาศ ท่ออากาศเย็น ใบมีด ความเร็วรอบเดินเบา	ทำความสะอาด ทำความสะอาด ตรวจสอบดูการชำรุดและความคม การตรวจสอบ (ใบมีดต้องไม่ทำงาน)
ทุก 50 ชั่วโมง	ชุดเฟือง	การทาสี
รายสัปดาห์	หัวเทียน หมอลดเสียง	การตรวจสอบ ถ้าจำเป็นให้เปลี่ยน ตรวจสอบ ถ้าจำเป็นให้ทำความสะอาดตามช่อง
ทุกสามเดือน	หัวดูด ถังน้ำมัน	ต้องเปลี่ยน ทำความสะอาด
ขั้นตอนการปิดการทำงาน	ถังน้ำมัน คาร์บูเรเตอร์	ถ่ายน้ำมันเชื้อเพลิงออกจากถังให้หมด ใช้งานจนกว่าน้ำมันเชื้อเพลิงในเครื่องยนต์หมด

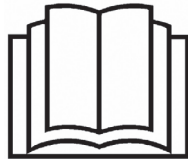
## ตำแหน่งที่เกิดความผิดปกติ

ความผิดปกติ	ระบบ	ข้อสังเกต	สาเหตุ
สตาร์ทเครื่องยนต์ไม่ติด หรือสตาร์ทยาก	ระบบจุดระเบิด	การจุดระเบิดเป็นปกติ	มีความผิดปกติที่ระบบจ่ายน้ำมันหรือระบบอัดอากาศ, กลไกชำรุด
		ไม่มีการจุดระเบิด	สวิตช์ I-O ทำงาน, การเดินสายไฟผิดพลาดหรือเกิดการลัดวงจร, หัวเทียนหรือขั้วต่อชำรุด, ไมคูลจุดระเบิดชำรุด
	ระบบจ่ายน้ำมัน	เติมน้ำมันแล้ว	ตำแหน่งโซ่ไม่ถูกต้อง, คาร์บูเรเตอร์ชำรุด, หัวดูด (กรองสายก๊าซ) สกปรก, สายจ่ายน้ำมันงอหรือตัน
	ระบบอัดอากาศ	ด้านในเครื่องยนต์	ปะเก็นใต้กระบอกสูบชำรุด, ซีลเพลาข้อเหวี่ยงเสียหาย, กระบอกสูบ หรือแหวนลูกสูบชำรุด
		ด้านนอกเครื่องยนต์	การซีลหัวเทียนไม่ถูกต้อง
ความผิดปกติของกลไก	สตาร์ทเตอร์ไม่ทำงาน	สปริงของสตาร์ทเตอร์หัก, ชิ้นส่วนภายในเครื่องยนต์แตกหัก	
ปัญหาการสตาร์ทขณะ เครื่องร้อน		ถังน้ำมันเต็ม มีการจุดระเบิด	คาร์บูเรเตอร์ปนเปื้อน ต้องทำความสะอาด
เครื่องยนต์สตาร์ทแต่ดับ ทันที	ระบบจ่ายน้ำมัน	ถังน้ำมันเต็ม	การปรับรอบเดินเบาไม่ถูกต้อง, หัวดูดหรือคาร์บูเรเตอร์ปนเปื้อน
			ช่องระบายไอน้ำมันที่ถังน้ำมันชำรุด, สายจ่ายน้ำมันอุดตัน, สาย หรือสวิตช์ I-O ชำรุด
สมรรถนะต่ำ	ระบบหลายระบบอาจได้รับ ผลกระทบพร้อมๆ กัน	เครื่องเดินเบา	ใส่กรองอากาศปนเปื้อน, คาร์บูเรเตอร์ปนเปื้อน, หม้อพักไอเสียอุดตัน, ช่องระบายไอเสียที่กระบอกสูบอุดตัน

Terima kasih banyak telah memilih Pemangkas Tanaman Pagar MAKITA. Kami merasa senang dapat menawarkan kepada Anda Pemangkas Tanaman Pagar MAKITA yang merupakan hasil dari program pengembangan yang telah berlangsung lama dan juga merupakan hasil dari pengalaman dan pengetahuan yang diperoleh selama bertahun-tahun.

Pemangkas Tanaman Pagar model EH6000S, EH7500S menggabungkan kelebihan dari teknologi yang tercanggih dengan desain yang ergonomis; Pemangkas Tanaman Pagar ini sangat ringan, bermanfaat, ringkas, dan merupakan peralatan profesional yang mempunyai banyak kegunaan.

**Harap baca, pahami, dan ikuti buklet ini yang menjelaskan secara rinci berbagai poin yang akan menunjukkan kinerja yang luar biasa dari Pemangkas ini. Buklet ini akan membantu Anda untuk memperoleh kemungkinan hasil terbaik dari Pemangkas Tanaman Pagar MAKITA Anda secara aman.**



Daftar Isi	Halaman
Simbol.....	31
Petunjuk keamanan.....	32
Data teknis.....	35
Penamaan bagian .....	36
Bahan bakar/pengisian bahan bakar.....	37
Kehati-hatian sebelum menyalakan mesin.....	38
Menyalakan mesin.....	39
Mematikan mesin .....	39
Pengoperasian mesin.....	40
Petunjuk pemeliharaan.....	41
Penyimpanan.....	44
Jadwal pemeliharaan.....	44
Letak kerusakan .....	44

**SIMBOL**

Simbol-simbol berikut wajib diingat dalam membaca petunjuk penggunaan ini.

	PERINGATAN/BAHAYA		Campuran bahan bakar dan oli
	Baca, pahami, dan Ikuti petunjuk penggunaan		Hidupkan mesin secara manual
	Dilarang		Perhentian darurat
	Dilarang merokok		P3K
	Jauhkan dari api		Daur ulang
	Pakailah sarung tangan pelindung		
	Manusia dan hewan dilarang masuk ke area operasi		ON/MULAI
	Kenakan helm pengaman, pelindung mata, dan pelindung telinga!		OFF/BERHENTI

## PETUNJUK KEAMANAN

### Petunjuk Umum

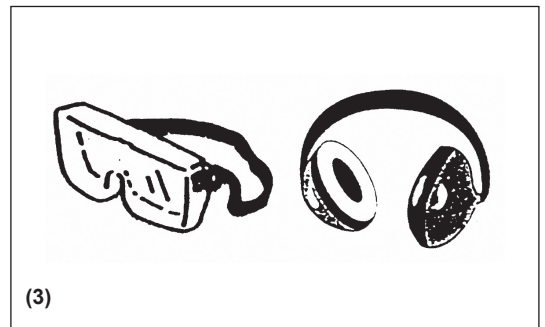
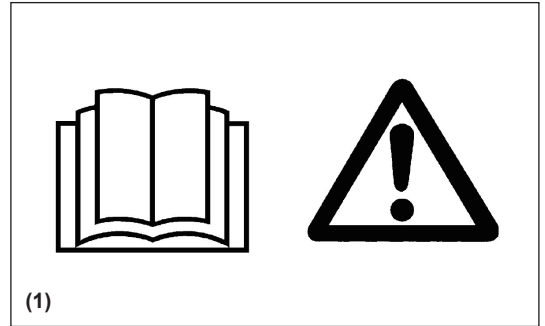
- MESIN INI DAPAT MENYEBABKAN CEDERA BERAT. Baca petunjuk secara teliti untuk penanganan, persiapan, pemeliharaan, dan penyalaan dan pematian mesin secara benar. Biasakan diri dengan semua kendali dan penggunaan mesin yang benar. (1)
- Pemangkas Tanaman Pagar ini hanya direkomendasikan bagi orang yang telah terbukti berpengalaman menggunakan Pemangkas Tanaman Pagar. Selalu serahkan petunjuk penggunaan.
- Pengguna yang baru pertama kali menggunakan Pemangkas ini harus meminta petunjuk dasar penggunaan dari penjual untuk membiasakan diri dengan penanganan Pemangkas Tanaman Pagar bertenaga mesin.
- Anak-anak dan orang yang berusia di bawah 18 tahun tidak boleh diizinkan untuk mengoperasikan Pemangkas Tanaman Pagar. Namun, orang yang berusia di atas 16 tahun dapat menggunakan alat ini untuk tujuan pelatihan saja dan dengan diawasi oleh pelatih yang memenuhi syarat.
- Gunakan Pemangkas Tanaman Pagar dengan hati-hati dan perhatian penuh.
- Hanya operasikan Pemangkas Tanaman Pagar pada saat Anda berada dalam kondisi fisik yang baik. Lakukan semua pekerjaan dengan tenang dan hati-hati. Pengguna harus bertanggung jawab atas keselamatan orang lain.
- Jangan pernah menggunakan Pemangkas Tanaman Pagar setelah mengkonsumsi alkohol atau obat-obatan, atau pada saat merasa sakit atau lelah. (2)

### Tujuan Penggunaan Mesin yang benar

- Pemangkas Tanaman Pagar hanya dirancang untuk tujuan memangkas semak-semak dan tanaman pagar, dan tidak boleh digunakan untuk tujuan lain. Jangan menyalahgunakan pemangkas ini.

### Alat Pelindung Diri

- Pakaian yang digunakan harus sesuai dan fungsional, dengan kata lain pakaian yang digunakan harus pas di badan, tetapi tidak menyebabkan gangguan. Jangan memakai perhiasan atau pakaian longgar yang dapat tersangkut pada semak atau pohon kecil atau mesin.
- Untuk menghindari cedera pada mata, tangan, atau kaki dan juga untuk melindungi pendengaran Anda, peralatan pelindung dan pakaian pelindung berikut ini harus digunakan selama mengoperasikan Pemangkas Tanaman Pagar.
- Selama mengoperasikan Pemangkas Tanaman Pagar, selalu gunakan kaca mata pelindung atau pelindung mata untuk mencegah cedera mata. (3)
- Gunakan peralatan perlindungan kebisingan yang layak untuk menghindari gangguan pendengaran seperti pelindung telinga, sumbat telinga, dan lain-lain (3).
- Kami sangat menyarankan bahwa pengguna menggunakan pakaian kerja terusan. (4)
- Sarung tangan khusus yang terbuat dari kulit yang tebal adalah bagian dari peralatan yang disyaratkan dan harus selalu digunakan selama mengoperasikan Pemangkas Tanaman Pagar. (4)
- Pada saat menggunakan Pemangkas Tanaman Pagar, selalu kenakan sepatu yang kuat dengan sol anti selip. Sepatu ini melindungi Anda dari cedera dan memastikan pijakan yang kuat. (4)





## Menghidupkan Pemangkas Tanaman Pagar

- Pastikan bahwa tidak ada anak-anak atau orang lain pada jarak 15 meter dari pekerjaan Anda (5), perhatikan juga binatang-binatang yang ada pada lingkungan kerja.
- Sebelum mengoperasikan mesin, selalu pastikan bahwa Pemangkas Tanaman Pagar aman digunakan:
- Periksa keamanan tuas gas. Tuas gas harus selalu diperiksa untuk memastikan kelancaran dan kemudahan penggunaan. Periksa apakah kunci tuas gas dapat dipakai dengan baik. Periksa kebersihan dan keringnya gagang dan uji kegunaan saklar I-O. Bersihkan gagang dari oli dan bahan bakar.

Hidupkan Pemangkas Tanaman Pagar sesuai dengan petunjuk.

### Jangan gunakan cara lain untuk menyalakan mesin (6)!

- Gunakan Pemangkas Tanaman Pagar hanya untuk penggunaan yang ditentukan.
- Nyalakan mesin Pemangkas Tanaman Pagar hanya setelah seluruh rangkaian terpasang.

Pengoperasian Pemangkas Tanaman Pagar hanya diperbolehkan setelah semua kelengkapan yang sesuai terpasang.

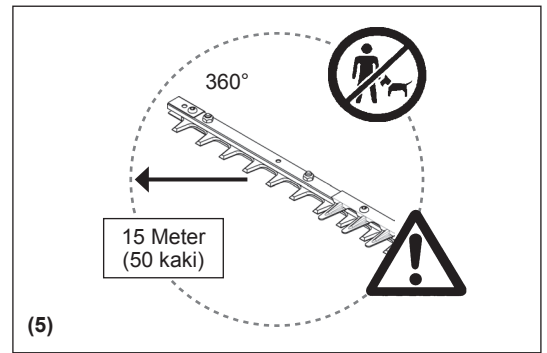
- Sebelum menyalakan mesin, pastikan bahwa pisau pemotong tidak akan terkena benda-benda seperti cabang pohon, batu, dan lain-lain.
- Mesin harus segera dimatikan jika terjadi masalah terhadap mesin.
- Pada saat bekerja dengan menggunakan Pemangkas Tanaman Pagar, selalu gunakan dua tangan untuk memegang gagang, dan pegang gagang dengan erat dan pastikan bahwa gagang pengendali tercengkeram dengan erat di antara jari dan telunjuk Anda. Jaga agar tangan Anda berada pada posisi ini agar mesin Anda selalu terkendali. Pastikan kendali gagang Anda ada dalam keadaan yang baik dan bebas dari kelembaban, getah, minyak, atau gemuk.

### Selalu pastikan pijakan yang aman dan seimbang

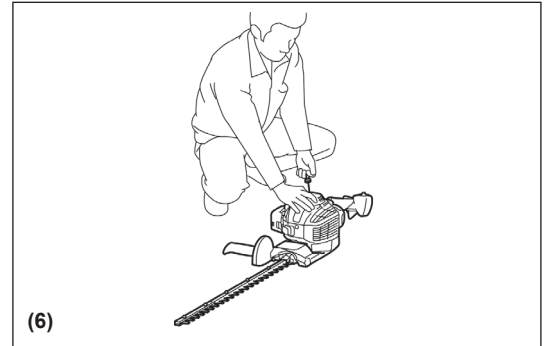
- Hanya gunakan pemangkas di luar ruangan.
- Selalu perhatikan sekeliling Anda dan waspada terhadap kemungkinan bahaya yang mungkin tidak Anda dengar karena kebisingan mesin.
- Operasikan Pemangkas Tanaman Pagar dengan cara yang menghindari terhisapnya gas buang. Jangan menyalakan mesin pemangkas di ruangan tertutup (bahaya kehabisan nafas dan keracunan gas). Karbon monoksida adalah gas yang tidak berbau. Selalu pastikan ada ventilasi yang cukup.
- Matikan mesin pada saat beristirahat dan pada saat meninggalkan Pemangkas Tanaman Pagar tanpa pengawasan. Tempatkan pemangkas di tempat yang aman untuk mencegah bahaya bagi orang lain, memicu terbakarnya bahan yang mudah terbakar, atau rusaknya mesin.
- Jangan meletakkan Pemangkas Hegde yang dalam keadaan panas pada rumput kering atau bahan mudah terbakar lainnya.
- Untuk mengurangi bahaya kebakaran, pastikan mesin dan peredam suara bebas dari debu, daun atau pelumas yang berlebih;
- Jangan mengoperasikan mesin dengan knalpot yang rusak.
- Matikan mesin pada saat diangkat ke tempat lain (7).
- Matikan mesin atau lepaskan dari stopkontak listrik sebelum:
- Pembersihan atau membersihkan sumbatan;
- Pemeriksaan, pemeliharaan, atau melakukan pekerjaan pada mesin.
- Letakkan Pemangkas Tanaman Pagar secara aman pada saat dibawa dengan menggunakan mobil atau truk untuk menghindari kebocoran bahan bakar.
- Pada saat mengangkat Pemangkas Tanaman Pagar, pastikan bahwa tangki bahan bakar benar-benar kosong untuk menghindari kebocoran bahan bakar.
- Pada saat mengangkat atau menyimpan mesin pastikan bahwa pelindung alat pemotong terpasang.

## Pengisian Bahan Bakar

- Matikan mesin sebelum mengisi bahan bakar (7), jauhkan mesin dari nyala api terbuka (8) dan jangan merokok.
- Jangan mencoba untuk mengisi bahan bakar pada saat mesin panas atau berjalan.
- Hindari singgungan langsung antara kulit dengan produk bensin. Jangan menghisap uap bensin. Selalu gunakan sarung tangan pelindung selama mengisi bahan bakar. Ganti dan bersihkan pakaian pelindung secara berkala.
- Hindari menumpahkan bahan bakar atau pelumas untuk mencegah pencemaran pada tanah (perlindungan lingkungan). Bersihkan Pemangkas Tanaman Pagar dengan segera setelah bahan bakar tumpah. Biarkan lap basah mengering sebelum membuangnya dengan baik pada wadah tertutup untuk mencegah pembakaran secara tiba-tiba.
- Hindari singgungan bahan bakar dengan pakaian Anda. Ganti pakaian Anda dengan segera jika terkena bahan bakar (risiko bahaya).
- Periksa tutup bahan bakar secara berkala untuk memastikan bahwa tutup tersebut tetap terpasang dengan baik.
- Kencangkan tutup tangki bahan bakar dengan cermat. Ubah lokasi untuk menyalakan mesin (setidaknya 3 meter dari tempat mengisi bahan bakar) (9).
- Jangan mengisi bahan bakar di ruang tertutup. Uap bahan bakar dapat terakumulasi pada permukaan tanah (risiko ledakan).
- Pindahkan dan simpan bahan bakar hanya dalam wadah yang tepat. Pastikan agar bahan bakar yang tersimpan jauh dari jangkauan anak-anak.
- Pada saat mencampurkan bahan bakar dengan pelumas mesin dua tak, hanya gunakan bensin yang tidak mengandung etanol atau metanol (sejenis alkohol). Hal ini akan membantu untuk mencegah kerusakan pada selang bahan bakar dan bagian mesin lainnya.



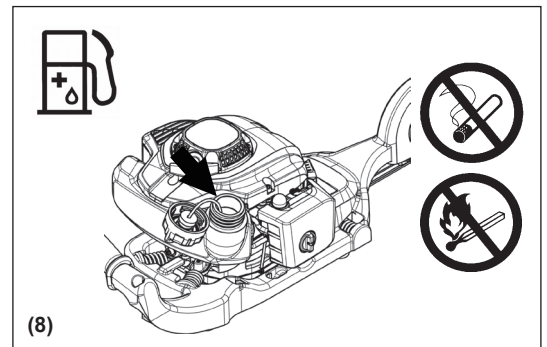
(5)



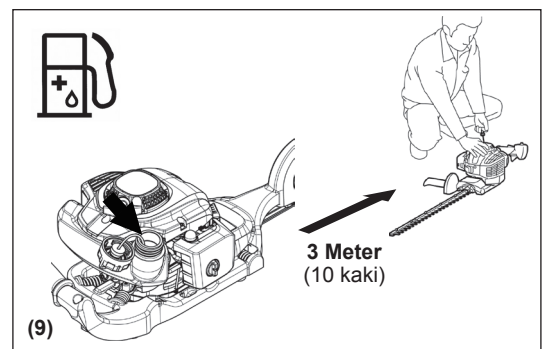
(6)



(7)



(8)



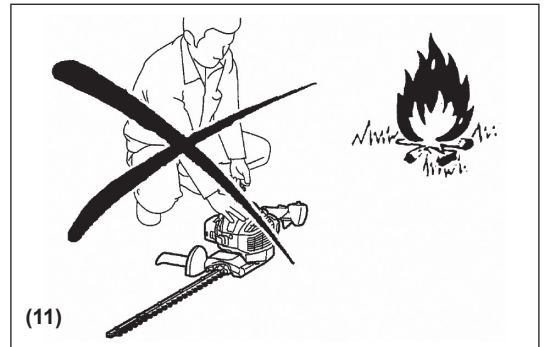
(9)

## Cara Pengoperasian

- Selalu gunakan dua tangan untuk memegang masing-masing gagang selama pengoperasian.
- Gunakan Pemangkas Tanaman Pagar hanya pada kondisi yang terang dan pandangan yang jelas. Selama musim dingin, berhati-hatilah terhadap area yang licin atau basah, es dan salju (risiko tergelincir). Selalu pastikan pijakan yang aman.
- Jangan bekerja pada permukaan yang tidak stabil atau lereng yang curam.
- Jangan berdiri pada tangga dan menjalankan Pemangkas Tanaman Pagar.
- Jangan memanjat pohon untuk melakukan pekerjaan pemotongan dengan Pemangkas Tanaman Pagar.
- Untuk menghindari risiko terjungkal dan kehilangan kendali, jangan berjalan mundur pada saat mengoperasikan mesin.
- Selalu matikan mesin sebelum membersihkan unit atau mengganti suku cadang.
- Jangan menggunakan mesin dengan peralatan pemotong yang tumpul atau rusak.

## Petunjuk Pemeliharaan

- Jaga lingkungan Anda. Gunakan Pemangkas Tanaman Pagar dengan sesedikit mungkin kebisingan dan pencemaran. Secara khusus, periksa penyetelan yang baik pada karburator.
- Bersihkan Pemangkas Tanaman Pagar secara teratur dan periksa apakah semua sekrup dan baut dikencangkan dengan baik.
- Jangan melakukan perawatan atau menyimpan Pemangkas Tanaman Pagar dekat nyala api terbuka, percikan api, dan lain-lain (11).
- Selalu simpan Pemangkas Tanaman Pagar pada ruangan terkunci dengan ventilasi yang cukup dan dengan tangki bahan bakar kosong dan jauh dari jangkauan anak.
- Jangan mencoba memperbaiki mesin kecuali jika Anda memenuhi syarat untuk melakukannya.



**Patuhi dan ikuti petunjuk pencegahan kecelakaan terkait yang diterbitkan oleh dewan keamanan serikat dagang dan oleh perusahaan asuransi.**

**Jangan melakukan modifikasi pada Pemangkas Tanaman Pagar karena dapat membahayakan keamanan Anda.**

Pelaksanaan pekerjaan pemeliharaan atau perbaikan oleh pengguna terbatas pada tindakan yang dijelaskan pada petunjuk penggunaan ini. Semua pekerjaan lainnya harus dilakukan oleh Agen Perbaikan Resmi.

Hanya gunakan suku cadang dan kelengkapan asli yang disediakan oleh pusat perbaikan pabrik atau resmi MAKITA.

Penggunaan kelengkapan dan peralatan yang tidak resmi berarti meningkatnya bahaya kecelakaan dan cedera. MAKITA tidak bertanggung jawab atas kecelakaan atau kerusakan yang disebabkan oleh penggunaan kelengkapan yang tidak resmi.

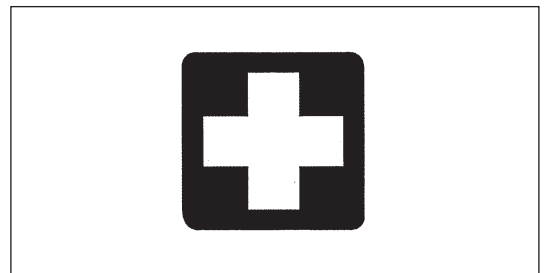
## Pertolongan Pertama

Untuk mengantisipasi terjadinya kecelakaan pastikan bahwa peralatan pertolongan pertama tersedia dengan lengkap sesuai dengan DIN 13164 di lingkungan pekerjaan pemotongan.

Segera ganti setiap barang pada peralatan pertolongan pertama yang telah digunakan.

***Pada saat meminta bantuan, harap berikan informasi berikut:***

- Tempat terjadinya kecelakaan
- Apa yang terjadi
- Jumlah orang yang cedera
- Parahnya cedera
- Nama Anda



## Pengemasan

Pemangkas Tanaman Pagar MAKITA dikirimkan dengan kotak kardus pelindung untuk mencegah kerusakan pada saat pengiriman. Kotak kardus merupakan bahan baku dasar dan oleh karena itu dapat digunakan kembali atau sesuai untuk daur ulang (pendaurulangan limbah kertas).

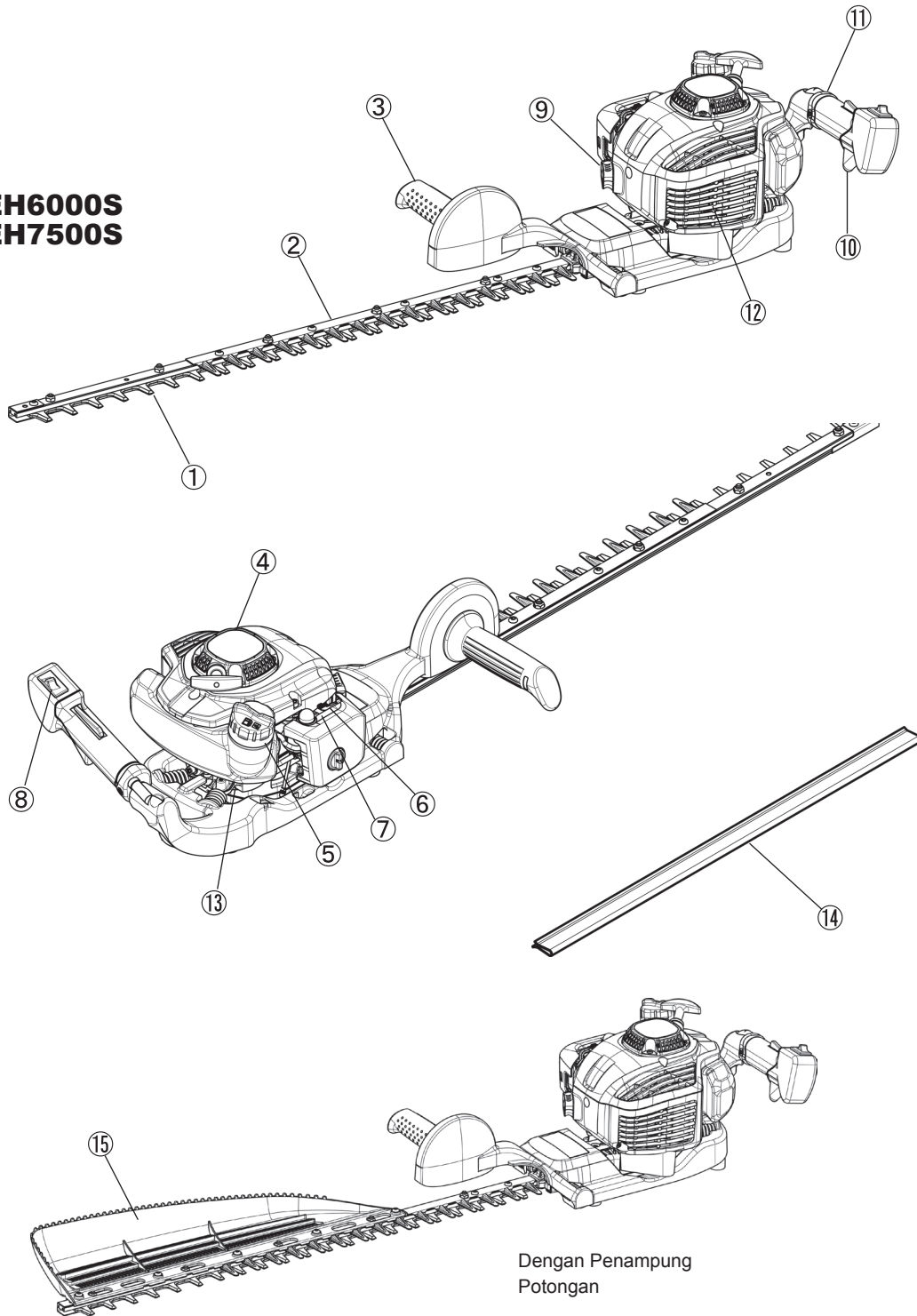


**DATA TEKNIS**

Model		EH6000S		EH7500S	
			Dengan Penampung Potongan		Dengan Penampung Potongan
Ukuran (P x L x T)	mm	1.010 x 323 x 212		1.150 x 323 x 212	
Berat (tanpa penutup pisau)	kg	4,5	4,7	4,7	4,9
Volume (tangki bahan bakar)	L	0,4			
Volume mesin	cm <sup>3</sup>	22,2			
Panjang pemotongan	mm	588		728	
Kinerja mesin maksimum	kW	0,68			
Langkah per menit	men <sup>-1</sup>	4.390			
Kecepatan stasioner	men <sup>-1</sup>	3.000			
Kecepatan penyambungan kopling	men <sup>-1</sup>	4.000			
Jenis karburator	Tipe	WALBRO WYL			
Sistem pengapian	Tipe	Pengapian elektronik			
Busi	Tipe	NGK CMR6A			
Celah elektroda	mm	0,7 - 0,8			
Rasio campuran (bahan bakar: Minyak pelumas mesin 2 tak MAKITA)		50 : 1			
Rasio gir		9 : 43			

# PENAMAAN BAGIAN

**EH6000S  
EH7500S**



Dengan Penampung Potongan

	PENAMAAN BAGIAN		PENAMAAN BAGIAN		PENAMAAN BAGIAN
1	Pisau	7	Karburator	13	Girboks
2	Sisi tumpul pemotong	8	Saklar I-O (Nyala-Mati)	14	Penutup pisau
3	Gagang depan	9	Busi	15	Penampung Potongan
4	Starter gulung	10	Tuas gas		
5	Tutup tangki bahan bakar	11	Gagang belakang		
6	Tuas cuk	12	Knalpot		

## BAHAN BAKAR/PENGISIAN BAHAN BAKAR

### Campuran Bahan Bakar Dan Pelumas

- Mesin Pemangkas Tanaman Pagar adalah mesin dua tak yang sangat efisien. Mesin ini dijalankan dengan campuran bahan bakar dan pelumas mesin dua tak. Mesin Pemangkas dirancang untuk menggunakan bahan bakar tanpa timbal dengan nilai oktan minimum 91 ROZ. Jika bahan bakar tersebut tidak tersedia, Anda dapat menggunakan bahan bakar dengan nilai oktan yang lebih tinggi. Bahan bakar ini tidak akan merusak mesin tetapi dapat menyebabkan kinerja pengoperasian yang buruk. Keadaan yang sama dapat timbul dari penggunaan bensin bertimbal. Untuk mendapatkan kinerja mesin terbaik dan untuk melindungi kesehatan Anda dan lingkungan, hanya gunakan bensin tanpa timbal.
- Untuk melumasi mesin, gunakan pelumas mesin dua tak (golongan mutu: TSC-3), yang ditambahkan pada bahan bakar. Mesin telah dirancang untuk menggunakan pelumas mesin dua tak MAKITA dan rasio campuran sebesar 50:1 hanya untuk melindungi lingkungan. Selain itu telah terdapat garansi untuk masa penggunaan yang panjang dan pengoperasian yang handal dengan emisi gas buang yang sangat kecil. Rasio campuran 50:1 (minyak pelumas dua tak MAKITA) harus dipatuhi, jika tidak kehandalan fungsi Pemangkas Tanaman Pagar tidak akan terjamin.
- Rasio pencampuran yang benar:  
Bensin: pelumas mesin 2 tak yang ditentukan = 50:1  
Bensin: pelumas mesin 2 tak pabrikan lain disarankan = 25:1

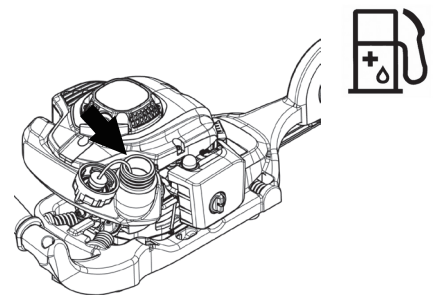
**CATATAN:** Untuk menyiapkan campuran pelumas-bahan bakar, terlebih dahulu campurkan seluruh jumlah pelumas dengan setengah bahan bakar yang diperlukan pada kaleng yang disetujui yang memenuhi atau melampaui semua kode standar lokal yang berlaku, kemudian tambahkan sisa bahan bakar. Aduk dengan merata campuran sebelum menuangkannya ke tangki Pemangkas Tanaman Pagar. Tidak disarankan untuk menambahkan pelumas mesin dalam jumlah yang melebihi jumlah yang ditentukan untuk memastikan pengoperasian yang aman. Pelumas yang berlebihan hanya akan menghasilkan lebih banyak sisa hasil pembakaran yang akan mencemari lingkungan dan menyumbat saluran pembuangan pada silinder dan juga knalpot. Selain itu, konsumsi bahan bakar akan meningkat dan kinerja mesin akan menurun.

### Penanganan Produk Bensin

Penanganan bahan bakar memerlukan kehati-hatian yang tinggi. Bahan bakar dapat mengandung zat yang serupa dengan pelarut. Hanya lakukan pengisian bahan bakar di luar ruangan atau di area yang berventilasi baik. Jangan menghirup uap bahan bakar, hindari sentuhan antara kulit Anda dengan dengan bahan bakar atau pelumas. Jika kulit Anda bersentuhan dengan dengan zat ini secara berulang kali dan dalam waktu yang lama, kulit Anda akan menjadi kering. Berbagai penyakit kulit dapat terjadi. Selain itu, reaksi alergi juga diketahui dapat terjadi. Mata dapat mengalami iritasi jika terkena pelumas, bahan bakar, dan lain-lain. Jika bahan bakar, pelumas, dan lain-lain mengenai mata Anda, segera bersihkan dengan air bersih. Jika mata Anda masih mengalami iritasi, segera pergi ke dokter.



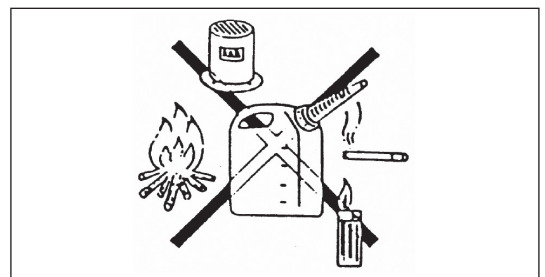
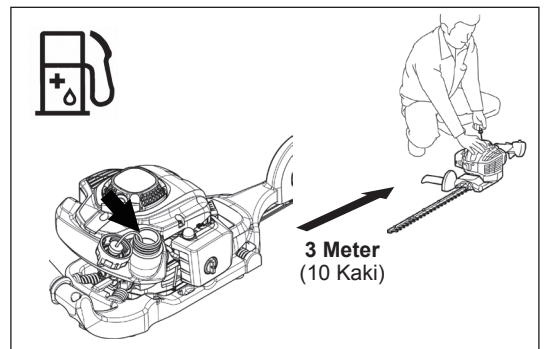
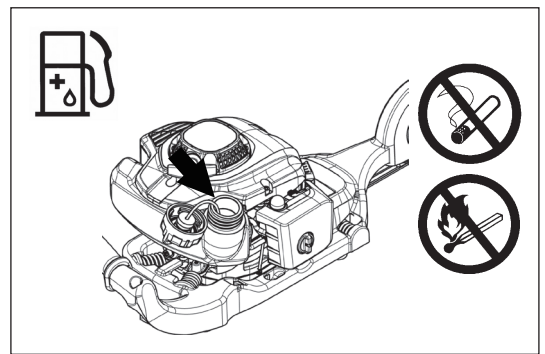
Perhatikan Instruksi Pengamanan di halaman 33.



Bensin	+	Oil
	50:1	
		25:1
1.000 cm <sup>3</sup> (1 liter)		20 cm <sup>3</sup> 40 cm <sup>3</sup>
5.000 cm <sup>3</sup> (5 liter)		100 cm <sup>3</sup> 200 cm <sup>3</sup>
10.000 cm <sup>3</sup> (10 liter)		200 cm <sup>3</sup> 400 cm <sup>3</sup>

## Pengisian Bahan Bakar

- Mesin harus dimatikan.
- Matikan mesin selama mengisi bahan bakar, jauhkan mesin dari nyala api terbuka dan jangan merokok.
- Berhati-hatilah agar tidak menumpahkan bahan bakar atau pelumas untuk mencegah pencemaran (perlindungan lingkungan). Bersihkan Pemangkas Tanaman Pagar dengan segera apabila bahan bakar tumpah.
- Jangan menumpahkan bahan bakar pada mesin. Lap bahan bakar jika perlu untuk menghindari kebakaran.
- Hindari singgungan bahan bakar dengan pakaian Anda. Ganti pakaian Anda dengan segera jika terkena bahan bakar (untuk menghindari pakaian terbakar).
- Periksa tutup tangki bahan bakar secara teratur untuk memastikan bahwa tutup tersebut dapat dikencangkan dengan baik dan tidak bocor.
- Kencangkan tutup tangki bahan bakar dengan baik. Ubah lokasi untuk menyalakan mesin (setidaknya 3 meter dari tempat mengisi bahan bakar).
- Jangan mengisi bahan bakar di ruang tertutup. Uap bahan bakar dapat terakumulasi pada permukaan tanah (risiko ledakan).
- Pindahkan dan simpan bahan bakar dalam wadah yang tepat. Pastikan agar bahan bakar yang tersimpan jauh dari jangkauan anak-anak.
- Bersihkan area di sekitar tutup tangki bahan bakar dengan cermat untuk mencegah debu masuk ke tangki bahan bakar.
- Lepaskan sumbat dan isi tangki dengan bahan bakar. Gunakan corong bersaring untuk menyaring bahan bakar.
- Kencangkan kembali sumbat dengan menggunakan tangan saja.
- Bersihkan sekeliling sumbat baut dan tangki setelah mengisi bahan bakar.
- Selalu bersihkan bahan bakar yang tumpah untuk mencegah kebakaran.

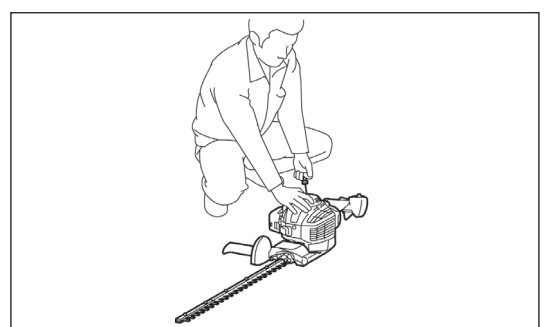
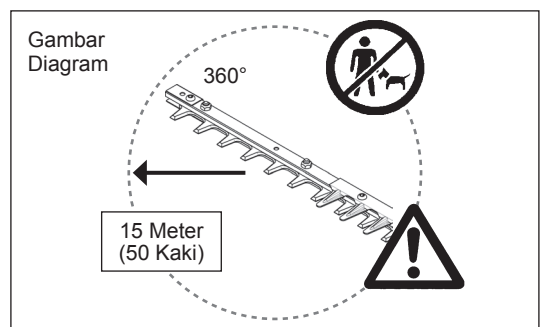


## Penyimpanan Bahan Bakar

- Bahan bakar tidak boleh disimpan dalam jangka waktu yang tidak terbatas.
- Hanya beli jumlah bahan bakar yang diperlukan untuk jangka waktu pengoperasian selama 4 minggu.
- Hanya gunakan wadah penyimpanan bahan bakar yang disetujui.

## KEHATI-HATIAN SEBELUM MENYALAKAN MESIN

- Pastikan bahwa tidak ada anak-anak atau orang lain pada jarak 15 meter dari pekerjaan Anda, perhatikan juga binatang-binatang yang ada pada lingkungan kerja.
- Sebelum mengoperasikan mesin, selalu pastikan bahwa Pemangkas Tanaman Pagar aman digunakan. Pastikan alat pemotong tidak rusak, tuas pengendali lancar dan periksa kelancaran fungsi Sakelar I-O. Alat pemotong tidak boleh berputar dalam kecepatan stasioner. Minta kepada dealer Anda untuk melakukan penyesuaian jika ragu-ragu. Periksa kebersihan dan kekeringan gagang dan uji kegunaan saklar I-O.
- Nyalakan Pemangkas Tanaman Pagar hanya sesuai dengan petunjuk. Jangan gunakan cara lain untuk menyalakan mesin. (Lihat Menyalakan Mesin)
- Nyalakan mesin Pemangkas Tanaman Pagar hanya setelah seluruh rangkaian terpasang. Pengoperasian Pemangkas Tanaman Pagar hanya diperbolehkan setelah semua kelengkapan yang sesuai terpasang. Jika tidak, ada risiko cedera.
- Sebelum menyalakan mesin, pastikan bahwa pisau pemotong tidak akan terkena benda-benda seperti cabang pohon, batu, dan lain-lain.
- Sebelum memangkas, pastikan area bersih dari kabel, beling, atau benda asing lain yang dapat bersinggungan dengan pisau.
- Sengatan listrik. Berhati-hatilah terhadap setiap dan semua kabel listrik dan pagar berlistrik. Periksa semua area terhadap keberadaan kabel listrik sebelum melakukan pemangkasan.



## MENYALAKAN MESIN

Pindahlah setidaknya 3 meter dari tempat mengisi bahan bakar. Tempatkan Pemangkas Tanaman Pagar pada area tanah yang bersih dan pastikan bahwa alat pemotong tidak bersinggungan dengan tanah atau benda lain.

**Penyalan dalam keadaan dingin:** (Pada saat mesin dalam keadaan dingin, atau telah dimatikan selama lebih dari 5 menit, atau pada saat bahan bakar diisi pada mesin.)

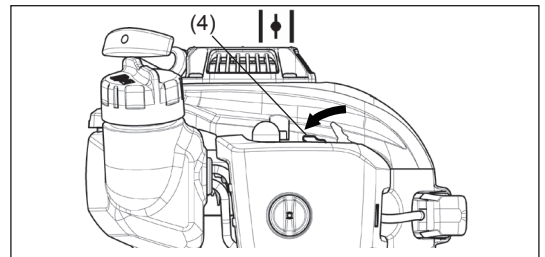
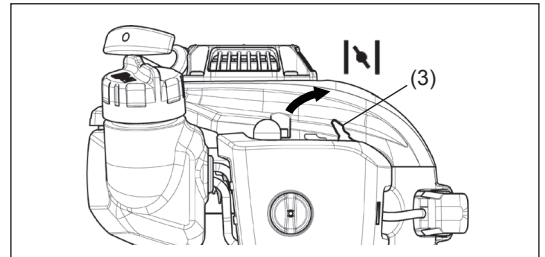
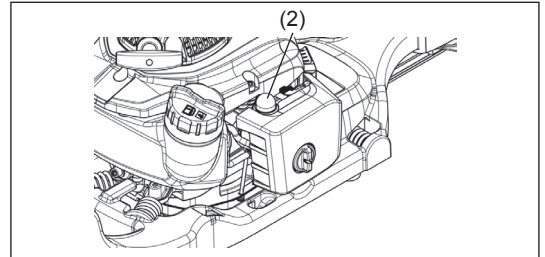
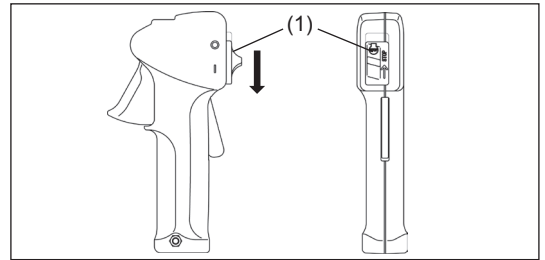
1. Tekan saklar I-O (1) ke posisi "I".
2. Dorong secara perlahan pompa pemancing (2) secara berulang-ulang (7 hingga 10 kali) hingga bahan bakar memasuki pompa pemancing.
3. Gerakan tuas cuk (3) ke posisi "I".
4. Pegang unit dengan kuat sehingga Anda tidak akan kehilangan kendali pada saat mengengkol mesin. Jika unit tidak dipegang dengan baik, mesin dapat membuat Anda kehilangan keseimbangan atau mengayunkan pisau pada benda lain atau tubuh Anda.
5. Tarik gagang penyalan mesin secara perlahan sejauh 10 atau 15 cm, dan periksa lokasi tekanan.
6. Tarik dengan kuat pada saat tekanan dapat dirasakan dan nyalakan mesin.
7. Pada saat mesin telah menyala, kembalikan tuas cuk (4) ke posisi "O".
8. Jalankan mesin selama kurang lebih satu menit dengan kecepatan sedang sebelum menjalankannya dengan kecepatan penuh.

**Catatan:**

- Jika gagang penyalan mesin ditarik berulang kali pada saat tuas tetap berada di posisi "I", mesin tidak akan menyala dengan mudah akibat asupan bahan bakar yang berlebihan.
- Jika terjadi asupan bahan bakar yang berlebihan, lepaskan busi dan tarik gagang penyalan mesin secara perlahan untuk menghilangkan kelebihan bahan bakar dan keringkan bagian elektroda busi.

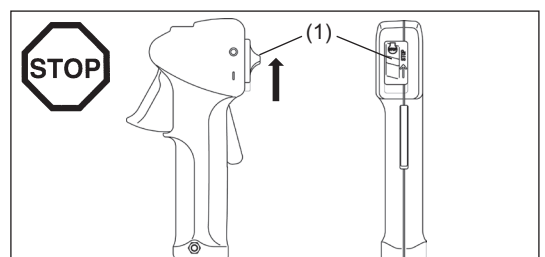
**Penyalan dalam keadaan panas:** (Menyalakan mesin segera setelah mesin dimatikan.) Pada saat menyalakan mesin dalam keadaan panas, pertama-tama gunakan prosedur nomor: 1, 2, 4, 5, 6 di atas. Jika mesin tidak menyala, ulangi langkah 1-8.

**Catatan:** Jangan menarik tali penyalan mesin sepenuhnya dan jangan biarkan tali penyalan mesin tertarik tanpa kendali, pastikan bahwa tali penyalan mesin tertarik secara perlahan.



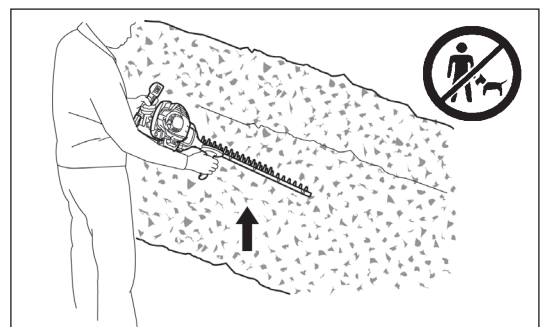
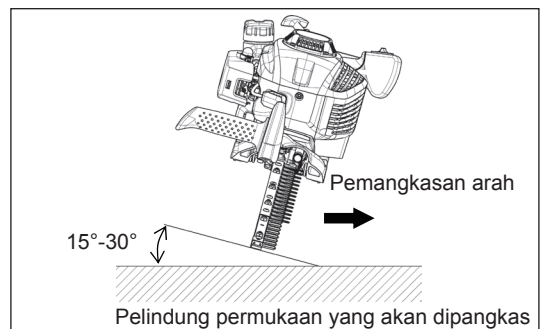
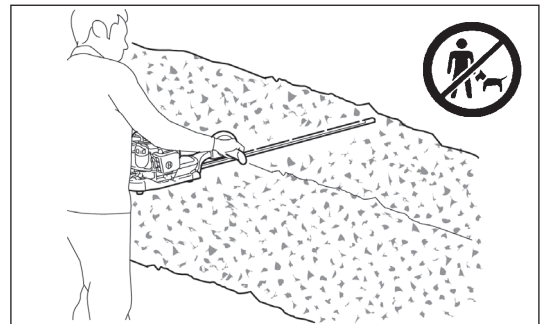
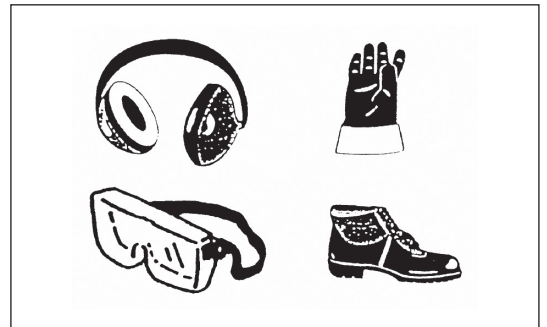
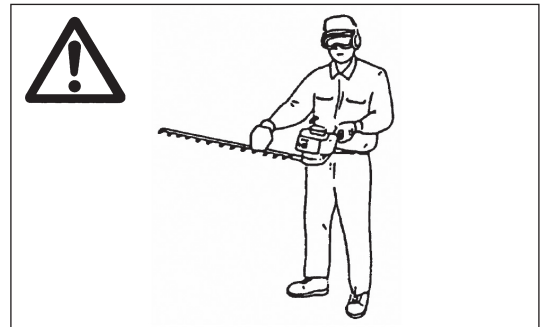
## MEMATIKAN MESIN

1. Lepaskan tuas gas sepenuhnya.
2. Tekan saklar I-O (1) ke posisi "O", putaran mesin akan melambat dan mesin akan berhenti.



## PENGOPERASIAN MESIN

- Jangan mengoperasikan mesin dengan pegangan yang tidak erat.
- Jangan menyentuh peralatan pemotong pada saat menyalakan mesin dan selama mengoperasikan mesin.
- Operasikan Pemangkas Tanaman Pagar dengan cara yang menghindari terhisapnya gas buang. Jangan menyalakan mesin pemangkas di ruangan tertutup (bahaya keracunan gas). Karbon monoksida adalah gas yang tidak berbau.
- Semua peralatan perlindungan yang diberikan beserta mesin harus digunakan selama pengoperasian Pemangkas.
- Jangan mengoperasikan mesin dengan knalpot gas buang yang rusak atau hilang.
- Gunakan Pemangkas Tanaman Pagar hanya pada kondisi yang terang dan pandangan yang jelas.
- Selama musim dingin, berhati-hatilah terhadap area yang licin atau basah, es dan salju (risiko tergelincir). Selalu pastikan pijakan yang aman.
- Jangan berdiri pada tangga dan menjalankan Pemangkas Tanaman Pagar. Selalu pijakkan kedua kaki di tanah.
- Jangan memanjat pohon untuk melakukan pekerjaan pemotongan dengan Pemangkas Tanaman Pagar.
- Jangan bekerja pada permukaan yang tidak stabil.
- Bersihkan pasir, batu, paku, kabel, dan lain-lain yang ditemukan pada area kerja. Benda asing dapat merusak pisau pemotong.
- Sebelum memulai pemotongan, pisau pemotong harus mencapai kecepatan penuh.
- Selalu pegang Pemangkas Tanaman Pagar dengan kuat dengan kedua tangan dan pegang pada gagangnya saja.
- Tangan kanan memegang gagang depan.
- Ini adalah cara untuk mengoperasikan mesin dengan aman.
- Gunakan genggaman yang erat dengan ibu jari dan telunjuk melingkari gagang.
- Pada saat Anda melepaskan tuas gas, pisau pemotong akan berhenti setelah beberapa saat.
- Pemangkas Tanaman Pagar tidak boleh digunakan untuk memotong dengan stasioner cepat. Kecepatan pemotongan tidak dapat disesuaikan dengan tuas gas berada pada posisi stasioner cepat.
- Pada saat memotong tanaman pagar, mesin harus dipegang dengan pisau membentuk sudut 15-30° dengan jalur pemotongan.
- Jika Pemangkas Tanaman Pagar digunakan dengan pergerakan memutar yang berlawanan dengan sisi tanaman pagar, ranting akan langsung terbuang ke tanah.
- Perhatikan dengan baik pada saat memotong tanaman pagar yang terletak pada pagar kawat yang panjang dan tanaman pagar menjulur keluar pagar.
- Pisau tidak boleh menyentuh pagar, jika menyentuh pagar, pisau akan hancur.
- Jangan gunakan Pemangkas Tanaman Pagar terus menerus dalam waktu yang lama. Waktu istirahat selama 10-20 menit adalah wajar setelah pengoperasian selama 50 menit.
- Jika pisau pemotong mengenai batu atau benda keras lainnya, segera matikan mesin dan periksa kerusakan terhadap pisau pemotong. Ganti pisau pemotong yang rusak sebelum memulai kembali pekerjaan.
- Mesin harus segera dimatikan jika terjadi masalah pada mesin.
- Operasikan Pemotong Tanaman Pagar dengan sesedikit mungkin suara dan pencemaran. Secara khusus, periksa setelah karburator yang baik dan rasio bahan bakar/minyak.
- Jangan coba untuk menghilangkan bahan terpotong yang menyangkut pada saat pisau berjalan. Letakkan unit, matikan mesinnya, dan hilangkan bahan potongan yang perlu.





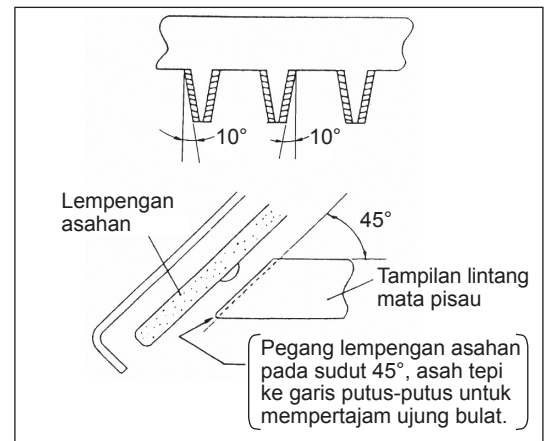
## PETUNJUK PEMELIHARAAN

- Matikan mesin dan lepaskan kabel busi pada saat mengganti atau mengasah peralatan pemotong dan pada saat membersihkan pemotong atau peralatan pemotong atau pada saat melakukan pemeliharaan apapun.
- Jangan meluruskan atau mengelas pisau pemotong yang rusak.
- Periksa pisau pemotong dari adanya kerusakan pada interval yang singkat dan teratur dengan mesin dimatikan.
- (Pemeriksaan retakan halus dengan cara pengujian pembunyian (tapping noise test).) Hati-hati, gigi pemotong tajam.
- Bersihkan Pemangkas Tanaman Pagar secara teratur dan periksa apakah semua baut dan sekrup telah dikencangkan.
- Jangan melakukan perawatan atau menyimpan Pemangkas Tanaman Pagar di dekat nyala api terbuka untuk menghindari kebakaran.
- Selalu gunakan sarung tangan kulit pada saat menangani atau mengasah pisau pemotong, karena pisau tersebut tajam.

### Mengasah Pisau

Jika mata pisau telah tumpul dan tidak dapat memotong dengan baik, hanya asah bagian yang diarsir saja. Jangan mengasah bagian persinggungan (permukaan bergeser) pada bagian bawah dan atas mata pisau.

- Sebelum mengasah, pastikan untuk mengencangkan pisau dengan baik dan matikan mesin dan lepaskan tutup busi.
- Gunakan sarung tangan pelindung, kacamata pelindung dan lain-lain.
- Mata pisau yang terlalu banyak diasah pada suatu waktu atau yang terlalu sering diasah akan kehilangan sisi yang dikeraskan. Mata pisau akan menjadi tumpul dengan cepat pada saat digunakan.



### Pengaturan Pisau

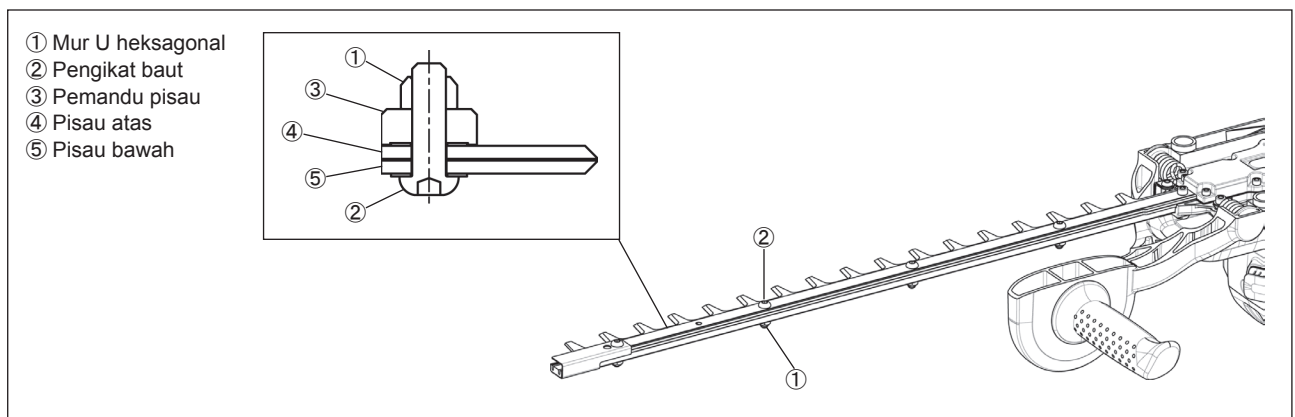
Pisau akan rusak setelah lama digunakan. Pada saat Anda mengetahui bahwa pemangkasan tidak lagi sebaik pada saat pisau dalam keadaan baru, sesuaikan kembali pisau seperti berikut:

1. Longgarkan mur ①.
2. Kencangkan baut ② pada pendorong hingga tidak dapat berputar lagi, dan kemudian putar mundur lagi sebanyak satu seperempat putaran.
3. Kencangkan mur ①, pegang baut ② pada waktu yang sama dengan kunci inggris.
4. Lumasi pisau setelah penyesuaian di atas dengan minyak pelumas encer.
5. Nyalakan mesin dan operasikan tuas gas mesin dengan membuka-tutupnya selama satu menit.
6. Matikan mesin dan pegang pisau dengan tangan Anda. Jika pisau cukup hangat untuk tetap Anda pegang, maka Anda telah melakukan pengaturan dengan baik, jika pisau terlalu panas untuk Anda pegang, lakukan sedikit putaran balik pada baut ② dan ulangi langkah 5 untuk memastikan apakah pisau telah diatur dengan baik.

**CATATAN:** Jangan lupa mematikan mesin sebelum melakukan pengaturan.

Pisau mempunyai slot di sekitar sekrup ②. Jika Anda menemukan debu pada ujung slot, maka bersihkan debu tersebut.

**CATATAN:** Agar pisau berhenti cukup lama (EN774), pastikan untuk melakukan pengaturan pisau sebelum mengoperasikan Pemangkas.



## Memeriksa dan menyesuaikan kecepatan stasioner

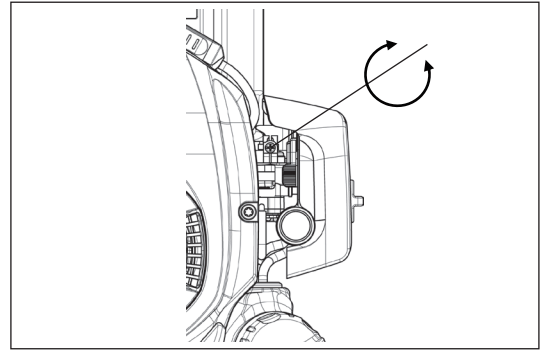
Pisau pemotong tidak boleh dijalankan pada saat tuas kendali dilepaskan sepenuhnya.

- Kecepatan stasioner harus ditentukan pada 3.000 men<sup>-1</sup>.
- Jika perlu, perbaiki kecepatan tersebut dengan menggunakan sekrup stasioner (pisau pemotong tidak boleh berjalan pada saat mesin dalam keadaan stasioner).

- Searah jarum jam: untuk putaran yang lebih cepat
- Berlawanan dengan jarum jam: untuk putaran yang lebih lambat

Periksa apakah ada selisih yang cukup antara kecepatan stasioner dan kecepatan pada saat kopling tersambung untuk memastikan bahwa peralatan pemotong tidak bergerak pada saat mesin tidak digunakan. (Jika perlu, kurangi kecepatan stasioner.) Jika alat pemotong tetap berjalan pada kondisi tidak digunakan, minta petunjuk dari agen perbaikan resmi terdekat.

- Kopling harus terpasang pada kecepatan minimum 3.750 men<sup>-1</sup>.
- Periksa apakah saklar I-O, tuas kunci-mati, tuas pengendali, dan tombol pengunci dapat berfungsi.



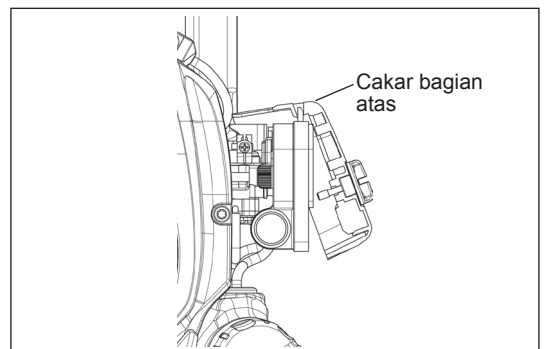
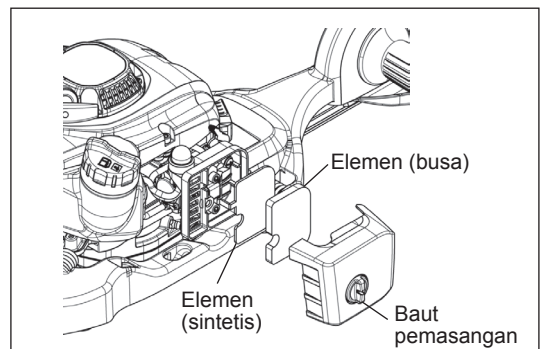
## PEMBERSIHAN PEMBERSIH UDARA



**BAHAYA: BAHAN YANG MUDAH TERBAKAR SANGAT DILARANG**

**Jeda pembersihan dan pemeriksaan: Harian (setiap pengoperasian selama 10 jam)**

- Putar tuas cuk ke sisi dekat penuh, dan bersihkan karburator dari debu atau kotoran.
- Putar baut pemasangan tutup pembersih udara.
- Tarik sisi bawah tutup dan lepaskan tutup pembersih udara.
- Jika pelumas meresap pada elemen (busa), maka remas busa dengan kuat.
- Untuk pencemaran berat:
  - 1) Lepaskan elemen (busa), rendam dalam air hangat atau pada deterjen netral yang diencerkan dalam air, dan keringkan sepenuhnya.
  - 2) Bersihkan elemen (kain sintetis) dengan bensin dan keringkan sepenuhnya.
- Sebelum memasang elemen, pastikan untuk mengeringkannya dengan baik. Pengeringan elemen yang tidak menyeluruh dapat berakibat pada sulitnya menyalakan mesin.
- Bersihkan pelumas yang melekat di sekeliling pembersih udara dengan kain lap.
- Segera setelah pembersihan selesai, pasang tutup pembersih udara dan kencangkan dengan baut pemasangan. (Pada saat memasang kembali, terlebih dahulu pasang cakar bagian atas.)

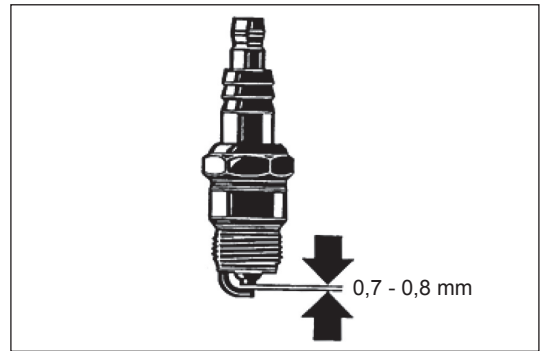


### Hal Penting dalam Menangani Elemen Pembersih Udara

- Bersihkan elemen beberapa kali dalam sehari jika debu yang menempel terlalu banyak.
- Jika pengoperasian dilanjutkan pada saat elemen tidak sepenuhnya bersih dari pelumas, pelumas dalam pembersih udara dapat tumpah keluar yang berakibat pada pencemaran oleh minyak pelumas.

### Periksa busi – setiap 8 jam (setiap hari)

- Hanya gunakan kunci universal yang diberikan untuk melepas atau memasang busi.
- Celah antara kedua elektroda busi harus sebesar 0,7 hingga 0,8 mm. Jika celah terlalu lebar atau terlalu sempit, maka sesuaikan kembali. Jika busi tersumbat oleh karbon, atau kotor, bersihkan dengan cermat atau ganti busi tersebut.  
Gunakan busi pengganti yang sama.



### Memberikan gemuk dan pelumas

- Berikan gemuk dari nipel gemuk setiap 50 jam penggunaan. (Shell Alvania No.3 atau yang setara)

**CATATAN:** Pastikan untuk mematuhi ketentuan mengenai jumlah dan waktu pemberian gemuk. Jika pemberian gemuk tidak dilakukan pada selang waktu yang ditentukan atau jika jumlah gemuk yang diberikan tidak cukup, mesin dapat mengalami masalah akibat kekurangan gemuk.

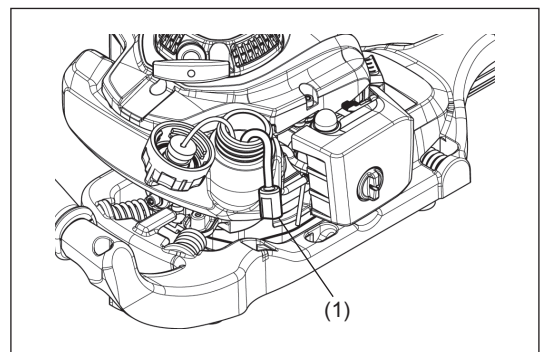
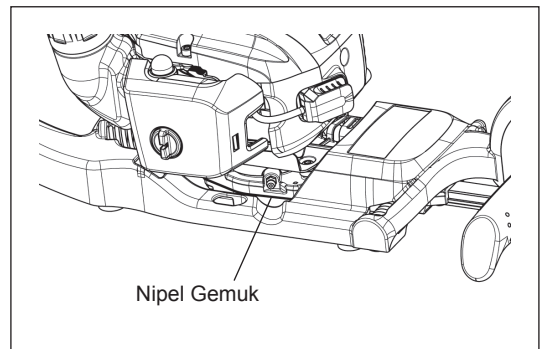
### PEMBERSIHAN SARINGAN BAHAN BAKAR

**PERINGATAN: BAHAN YANG MUDAH TERBAKAR SANGAT DILARANG**

Jeda waktu Pembersihan dan Pemeriksaan: Bulanan (setiap 50 jam pengoperasian)

#### Kepala Alat Penghisap pada Tangki Bahan Bakar

- Saringan kain sintetis (1) pada kepala alat penghisap digunakan untuk menyaring bahan bakar yang diperlukan oleh karburator.
- Pemeriksaan visual secara berkala pada saringan kain sintetis harus dilakukan.
- Untuk keperluan tersebut, buka penutup tangki, gunakan kawat pengait dan tarik kepala alat penghisap melalui bukaan tangki. Saringan yang terlihat telah mengeras, tercemar, atau tersumbat, harus diganti.
- Pasokan bahan bakar yang tidak mencukupi dapat berakibat pada terlampaiunya kecepatan maksimum yang ditentukan. Oleh karena itu penting untuk mengganti saringan kain sintetis setidaknya secara tiga bulanan untuk memastikan cukupnya pasokan bahan bakar pada karburator.



### PENGGANTIAN PIPA BAHAN BAKAR

**PERINGATAN: BAHAN YANG MUDAH TERBAKAR SANGAT DILARANG**

Jeda waktu Pembersihan dan Pemeriksaan: Harian (setiap 10 jam pengoperasian).

Penggantian: Setiap tahun (setiap 200 jam pengoperasian)

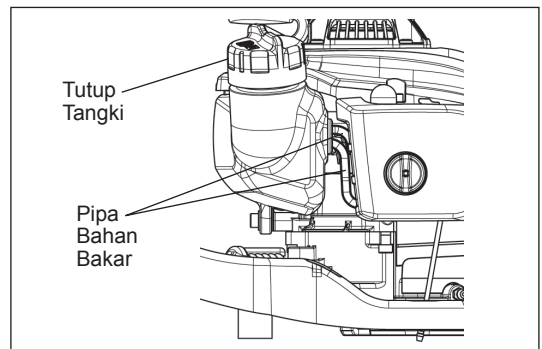
Ganti pipa bahan bakar setiap tahun, terlepas dari frekuensi pengoperasian.

Kebocoran bahan bakar dapat berakibat pada kebakaran.

Jika diketahui ada kebocoran pada saat pemeriksaan, ganti pipa bahan bakar dengan segera.

### PENGGANTIAN TUTUP TANGKI

- Jika terjadi kerusakan atau kesalahan pada tutup tangki, ganti tutup tangki tersebut.
- Tutup tangki adalah bahan habis pakai, dan oleh karena itu harus diganti setiap dua atau tiga tahun.



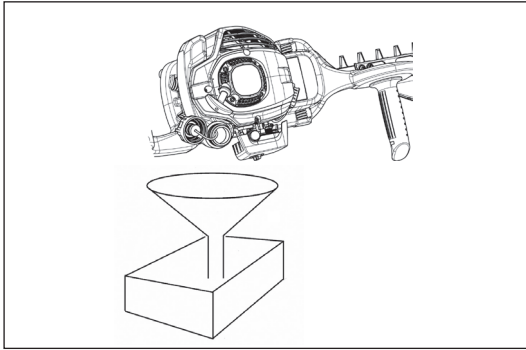
Setiap pekerjaan pemeliharaan atau penyetelan yang tidak termasuk atau dijelaskan dalam petunjuk ini harus dilakukan oleh Agen Perbaikan Resmi.

### Pemeriksaan dan Pemeliharaan Harian

Untuk memastikan masa penggunaan yang panjang dan menghindari kerusakan pada peralatan, pengoperasian perawatan berikut harus dilakukan secara teratur:

- Sebelum pengoperasian, periksa mesin dari longgarnya baut atau komponen yang hilang. Perhatikan dengan baik kekencangan sekrup pisau pemotong.
- Sebelum pengoperasian, periksa apakah ada penyumbatan saluran udara pendingin dan sirip silinder. Bersihkan jika perlu.
- Lakukan pekerjaan berikut ini setelah penggunaan harian:
  - Bersihkan bagian luar Pemangkas dan periksa adanya kerusakan.
  - Bersihkan saringan udara. Pada saat melakukan pekerjaan dalam kondisi yang sangat berdebu bersihkan saringan beberapa kali sehari.
  - Periksa pisau dari adanya kerusakan dan pastikan pisau terpasang dengan baik.

## PENYIMPANAN



- Pada saat menyimpan mesin dalam waktu lama, keluarkan seluruh bahan bakar dari tangki bahan bakar dan karburator sebagai berikut: keluarkan semua bahan bakar dari tangki bahan bakar.
- Lepaskan busi dan tambahkan beberapa tetes minyak pelumas pada lubang busi. Kemudian tarik engkol secara perlahan untuk memastikan bahwa minyak menutupi bagian dalam mesin dan kencangkan busi.
- Bersihkan kotoran atau debu dari pisau pemotong dan di luar mesin, lap pisau pemotong dengan menggunakan kain yang direndam minyak dan keringkan mesin sebaik mungkin.

## JADWAL PEMELIHARAAN

<b>Umum</b>	Perakitan mesin, baut, dan sekrup	Pemeriksaan visual dari kerusakan dan kekencangan Periksa keadaan umum dan keamanan
<b>Setelah setiap pengisian bahan bakar</b>	Tuas gas Saklar I-O	Pemeriksaan fungsional Pemeriksaan fungsional
<b>Harian</b>	Saringan udara Saluran udara pendingin Peralatan pemotong Kecepatan stasioner	Harus dibersihkan Harus dibersihkan Periksa kerusakan dan ketajaman Pemeriksaan (peralatan pemotong tidak boleh bergerak)
<b>Setiap 50 jam</b>	Tempat gir	Pemberian gemuk
<b>Mingguan</b>	Busi Knalpot	Pemeriksaan, ganti jika perlu Periksa dan jika perlu bersihkan bukaan
<b>Tiga Bulanan</b>	Kepala alat penghisap Tangki bahan bakar	Harus diganti Harus dibersihkan
<b>Prosedur pematian</b>	Tangki bahan bakar Karburator	Kosongkan tangki bahan bakar Operasikan hingga mesin kehabisan bahan bakar

## LETAK KERUSAKAN

Kerusakan	Sistem	Pengamatan	Sebab
Mesin tidak menyala atau menyala dengan kesulitan	Sistem pengapian	Ada percikan pengapian	Kesalahan pasokan bahan bakar atau sistem kompresi, kecacatan mekanis
		Tidak ada percikan pengapian	Saklar I-O dioperasikan, kesalahan pada kabel atau arus pendek, cacat pada busi atau kabel busi, kesalahan modul pengapian
	Pasokan bahan bakar	Tangki bahan bakar penuh	Posisi cuk yang tidak benar, kecacatan pada karburator, kepala alat penghisap (saringan jalur bensin) kotor, jalur pasokan bahan bakar bengkok atau terganggu
	Kompresi	Bagian dalam mesin	Cacat pada paking dasar silinder, tutup poros engkol rusak, cincin piston atau silinder cacat
		Bagian luar mesin	Penutupan busi yang tidak baik
Masalah pada penyalaan mesin dalam keadaan hangat	Kesalahan mekanis	Engkol tidak mengait	Per engkol rusak, komponen bagian dalam mesin rusak
Masalah pada penyalaan mesin dalam keadaan hangat	Pasokan bahan bakar	Tangki terisi, Percikan pengapian ada	Karburator kotor, bersihkan
		Tangki terisi	Penyetelan stasioner yang tidak benar, kepala alat penghisap atau karburator tercemar Saluran keluar tangki bahan bakar cacat, jalur pasokan bahan bakar terganggu, kesalahan pada kabel atau saklar I-O
Kinerja yang tidak layak	Sejumlah sistem dapat terpengaruh secara bersamaan	Mesin stasioner	Saringan udara tercemar, karburator tercemar, knalpot tersumbat, saluran pembuangan pada silinder tersumbat.

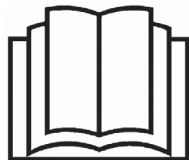
## Bản Tiếng Việt

(Hướng dẫn Gốc)

Cám ơn bạn rất nhiều vì đã chọn máy tũa cành MAKITA. Chúng tôi rất vui vì có thể mang đến cho bạn máy tũa cành MAKITA mà nó chính là kết quả của một quá trình phát triển lâu dài bằng nhiều kinh nghiệm và kiến thức.

Máy tũa cành loại EH6000S, EH7500S kết hợp các ưu điểm của công nghệ hiện đại với thiết kế hiệu quả, các thiết bị này có trọng lượng nhẹ, dễ sử dụng, gọn nhẹ và là thiết bị chuyên dụng dùng cho nhiều ứng dụng.

**Vui lòng đọc, hiểu và theo dõi cuốn sách nhỏ này, trong đó nó có đề cập một cách chi tiết những đặc điểm khác nhau, được minh họa để trình bày một cách dễ hiểu. Điều này sẽ hỗ trợ cho bạn đạt được kết quả tốt nhất với máy tũa cành MAKITA của bạn.**



Mục lục nội dung	Trang
Các biểu tượng.....	45
Hướng dẫn an toàn .....	46
Dữ liệu kỹ thuật .....	49
Ký hiệu của các bộ phận .....	50
Nhiên liệu/nạp nhiên liệu .....	51
Các biện pháp an toàn trước khi khởi động .....	52
Khởi động máy .....	53
Ngừng máy.....	53
Vận hành máy .....	54
Hướng dẫn bảo hành .....	55
Lưu trữ.....	58
Lịch trình bảo dưỡng.....	58
Xác định lỗi.....	58

## CÁC BIỂU TƯỢNG

Việc hiểu các ký hiệu sau đây khi đọc quy trình hướng dẫn này là hết sức quan trọng.

	CẢNH BÁO/NGUY HIỂM		Nhiên liệu và hỗn hợp dầu
	Đọc, hiểu và làm theo hướng dẫn		Khởi động động cơ bằng tay
	Cấm		Ngừng khẩn cấp
	Không hút thuốc lá		Sơ cứu
	Không được sử dụng lửa trần		Tái chế
	Phải đeo găng tay bảo vệ		BẬT/KHỞI ĐỘNG
	Cấm người và vật nuôi vào nơi vận hành		TẮT/NGỪNG
	Đội mũ bảo hộ, đeo thiết bị bảo vệ tai và mắt!		

## HƯỚNG DẪN AN TOÀN

### Hướng dẫn chung

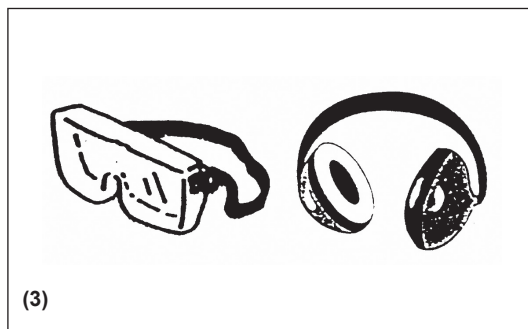
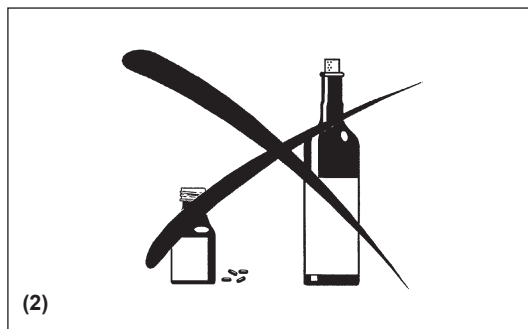
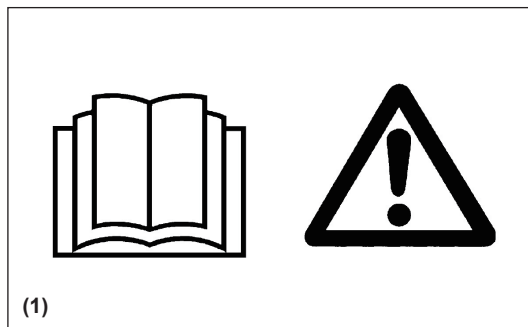
- MÁY NÀY CÓ THỂ GÂY RA CÁC TỖN THƯƠNG NGHIÊM TRỌNG. Đọc các hướng dẫn một cách cẩn thận để có thể xử lý, chuẩn bị, bảo dưỡng, khởi động và ngừng máy một cách phù hợp. Làm quen với các lệnh điều khiển và sử dụng máy đúng cách. (1)
- Chỉ nên giao máy tĩa cành cho những người có kinh nghiệm sử dụng máy tĩa cành. Luôn luôn bán sản phẩm cùng với sách về quy trình hướng dẫn này.
- Người sử dụng thiết bị lần đầu nên tham vấn với đại lý để có được các hướng dẫn căn bản và làm quen với việc vận hành máy tĩa cành một động cơ.
- Trẻ con và người dưới 18 tuổi không được phép vận hành máy tĩa cành. Tuy nhiên người trên 16 tuổi có thể sử dụng thiết bị cho mục đích học tập dưới sự giám sát người đào tạo có trình độ.
- Sử dụng máy tĩa cành một cách hết sức thận trọng và chú ý.
- Chỉ được vận hành máy tĩa cành khi bạn ở trong điều kiện sức khỏe tốt. Thực hiện công việc một cách bình tĩnh và cẩn thận. Người sử dụng phải chú ý đến người xung quanh.
- Không bao giờ được sử dụng máy tĩa cành sau khi đang bị ảnh hưởng bởi rượu hoặc sử dụng thuốc kích thích, hoặc nếu cảm thấy mệt hoặc bị ốm (2).

### Mục đích sử dụng máy

- Máy tĩa cành chỉ được thiết kế cho mục đích cắt các ống lốt và hàng rào, và không được sử dụng cho bất kỳ mục đích nào khác. Không được lạm dụng máy tĩa cành này.

### Thiết bị bảo vệ cá nhân

- Quần áo bảo hộ phải có đúng chức năng và thích hợp, ví dụ, nó phải vừa vặn nhưng không được gây cảm giác khó chịu. Không đeo đồ trang sức vì có thể gây vướng vào các bụi rậm, cây bụi, hoặc máy.
- Để tránh làm tổn thương mắt, tay hoặc tổn thương chân cũng như bảo vệ thính giác, cần phải sử dụng thiết bị bảo vệ và quần áo bảo hộ lao động sau đây trong quá trình vận hành máy tĩa cành.
- Trong quá trình vận hành máy tĩa cành, cần phải luôn luôn đeo kính bảo vệ hoặc một vành chắn để tránh bị tổn thương tai (3).
- Đeo thiết bị chống ồn thích hợp để tránh bị tổn thương thính giác, mũ len che tai, nút bịt tai,... (3)
- Chúng tôi đề nghị người sử dụng sử dụng thiết bị bảo hộ trong toàn bộ quá trình thao tác máy. (4)
- Găng tay đặc biệt làm bằng da dày là bộ phận của thiết bị quy định và phải luôn được đeo trong quá trình vận hành máy tĩa cành (4).
- Khi sử dụng máy tĩa cành, cần phải luôn luôn đeo giày cứng có đế không trượt. Giày loại này sẽ bảo vệ tránh bị tổn thương và đảm bảo an toàn cho chân (4).



## Khởi động máy tưa cành

- Vui lòng đảm bảo rằng không có trẻ em hoặc người khác vào trong phạm vi 15 mét của khu làm việc (5), luôn chú ý tới các động vật trong vùng làm việc.
- Trước khi vận hành, cần phải luôn kiểm tra xem máy tưa cành có an toàn để vận hành hay không:
- Kiểm tra sự an toàn của đòn bẩy tiết lưu. Đòn bẩy tiết lưu cần phải được kiểm tra nhằm đảm bảo hoạt động dễ dàng và trơn tru. Kiểm tra chức năng thích hợp của khóa đòn bẩy tiết lưu. Kiểm tra để đảm bảo cần điều khiển khô, sạch và kiểm tra chức năng của bộ chuyển mạch I-O. Giữ cần điều khiển sạch dầu và nhiên liệu.

Khởi động máy tưa cành theo các hướng dẫn.

### Không sử dụng các phương pháp khác để khởi động máy (6)!

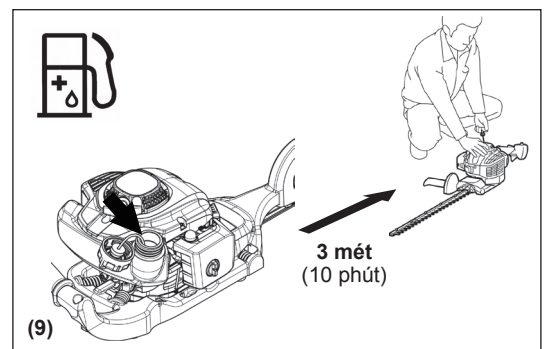
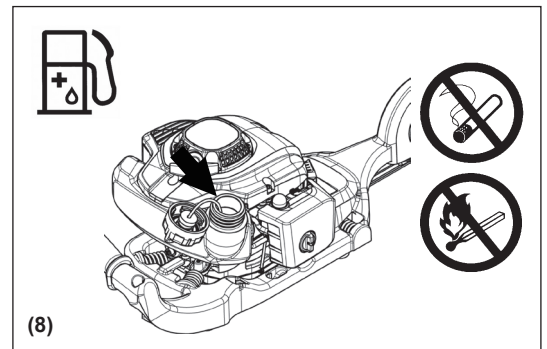
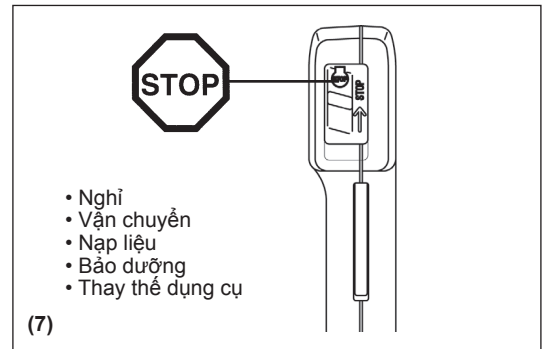
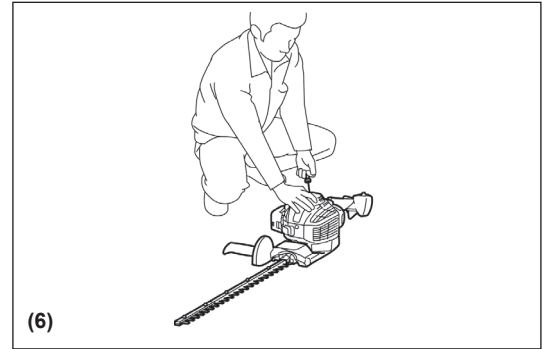
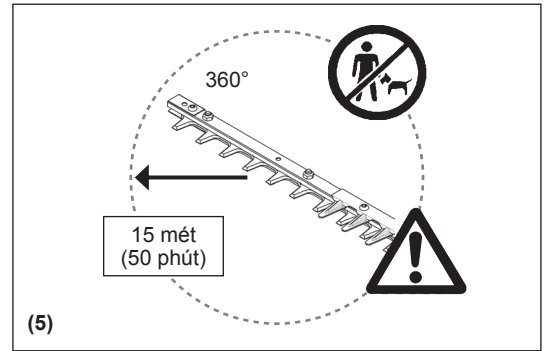
- Sử dụng máy tưa cành cho các ứng dụng đã được quy định.
- Chỉ nên khởi động máy tưa cành chỉ sau khi đã thực hiện xong toàn bộ công việc lắp ráp máy. Việc vận hành máy tưa cành chỉ được phép sau khi lắp đặt tất cả các phụ kiện thích hợp!
- Trước khi khởi động, đảm bảo rằng lưỡi dao cắt sẽ không tiếp xúc với bất kỳ vật thể nào như cành cây, đá...
- Máy được ngừng ngay lập tức nếu động cơ có bất kỳ vấn đề nào.
- Khi làm việc với máy tưa cành, nên sử dụng bằng hai tay để giữ cần điều khiển, luôn nắm chặt các ngón tay vào cần điều khiển, giữ cho cần điều khiển nằm trong phạm vi giữa ngón cái và ngón tay trỏ. Để tay của bạn vào vị trí này để bạn có thể luôn luôn điều khiển được máy. Đảm bảo cần điều khiển của bạn phải trong điều kiện tốt và không bị ẩm ướt, dính hắc ín, dầu hoặc mỡ.

### Luôn đứng thẳng bằng và an toàn.

- Thiết bị chỉ được sử dụng ngoài trời.
- Luôn luôn chú ý đến xung quanh bạn và cảnh giác đối với các mối nguy hiểm có thể xảy ra mà bạn không thể nghe thấy do tiếng ồn của máy.
- Vận hành máy tưa cành theo cách sao cho bạn tránh phải hít vào các khí thải. Không bao giờ được chạy động cơ trong các phòng kín (có thể gây ngạt thở và ngộ độc khí). Các bon monoxit là một khí không mùi. Luôn đảm bảo môi trường vận hành thiết bị phải được thông gió đầy đủ.
- Ngừng hoạt động động cơ khi nghỉ và khi để máy tưa cành không có người trông. Đặt máy tưa vào vị trí an toàn để tránh gây nguy hiểm cho những người khác, gây bất lửa cho các vật liệu dễ cháy hoặc làm hại đến máy móc.
- Không bao giờ được đặt máy tưa cành đang còn nóng lên cỏ khô hoặc lên vật liệu dễ cháy.
- Giảm thiểu nguy cơ cháy, giữ gìn động cơ và bộ giảm âm sạch các mảnh vụn, lá cây, hoặc chất bôi trơn thừa;
- Không bao giờ vận hành động cơ với một bộ giảm âm bị hỏng.
- Ngừng động cơ trong khi vận chuyển (7).
- Ngừng động cơ hoặc ngắt kết nối với lưới điện trước:
- Làm sạch hoặc khi lau sạch một hiện tượng tắc nghẽn;
- Kiểm tra, bảo dưỡng hoặc vận hành trên máy.
- Để máy tưa cành một cách an toàn trong quá trình vận chuyển bằng xe tải hoặc xe ô tô để tránh gây rò rỉ nhiên liệu.
- Khi vận chuyển máy tưa cành, phải nhớ để thùng nhiên liệu của thiết bị hoàn toàn rỗng để tránh bị rò rỉ nhiên liệu.
- Khi vận chuyển hoặc lưu trữ máy, phải luôn luôn lắp bảo vệ thiết bị cắt.

## Nạp liệu

- Ngừng động cơ trước khi nạp liệu (7), tránh để động cơ gần ngọn lửa trần (8) và không hút thuốc lá.
  - Không cố gắng nạp liệu cho một động cơ đang chạy hoặc động cơ còn nóng.
  - Tránh để da tiếp xúc với các sản phẩm nhiên liệu. Không hít vào hơi nhiên liệu. Luôn luôn đeo găng tay bảo vệ trong quá trình nạp liệu. Thay đổi và giặt sạch trang phục bảo hộ theo hướng dẫn khoảng thời gian định kỳ thích hợp.
  - Cần thận không được làm tràn hoặc nhiên liệu hoặc dầu để tránh gây ra ô nhiễm đất (bảo vệ môi trường). Làm sạch máy tưa cành ngay lập tức sau khi để tràn nhiên liệu. Để quần áo ẩm khô trước khi bỏ vào một thùng chứa quy định có nắp đậy để tránh gây cháy tức thời.
  - Tránh để nhiên liệu tiếp xúc với quần áo của bạn. Thay quần áo ngay lập tức nếu để nhiên liệu tràn vào (rủi ro nguy hiểm).
  - Kiểm tra nắp bình nhiên liệu định kỳ nhằm đảm bảo nắp vừa vặn và an toàn.
  - Vít chặt nắp bình nhiên liệu. Thay đổi các vị trí để khởi động động cơ (ít nhất 3 mét so với vị trí nạp liệu) (9).
  - Không bao giờ nạp liệu trong phòng kín. Hơi nhiên liệu tích tụ ở gần mặt đất (có nguy cơ gây nổ).
  - Chỉ vận chuyển và lưu trữ nhiên liệu vào các thùng chứa được quy định. Đảm bảo nhiên liệu được cất giữ xa tầm với của trẻ em.
  - Khi trộn nhiên liệu với dầu dùng cho động cơ hai kỳ, chỉ sử dụng nhiên liệu không lưu trữ etanol hoặc methanol (các loại rượu).
- Điều này giúp tránh làm hỏng các đường dẫn nhiên liệu và các bộ phận của động cơ.



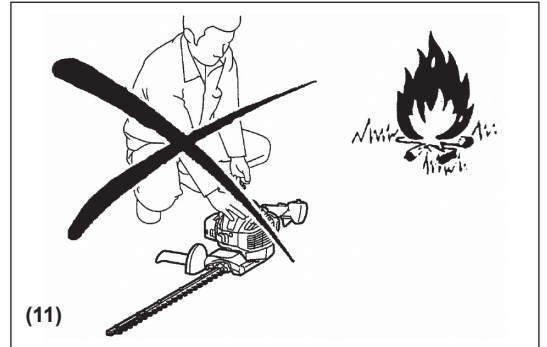
## Phương pháp vận hành

- Luôn luôn sử dụng hai tay để nắm cần điều khiển trong quá trình vận hành.
- Sử dụng máy tưa cành trong điều kiện ánh sáng tốt và dễ nhìn. Trong các mùa lạnh, lưu ý các khu vực ẩm hoặc dễ bị trượt, băng hoặc tuyết (có nguy cơ gây trượt ngã). Luôn luôn đảm bảo an toàn cho chân.
- Không bao giờ làm việc trên bề mặt không ổn định hoặc trên địa hình dốc.
- Không bao giờ đứng trên thang hoặc vận hành máy tưa cành.
- Không được treo lên cây để thực hiện thao tác cắt với máy tưa cành.
- Giảm thiểu rủi ro vấp hoặc mất điều khiển, không đi giật lùi trong khi đang vận hành máy.
- Luôn nhớ ngừng máy trước khi làm sạch hoặc bảo dưỡng thiết bị hoặc thay thế phụ tùng.
- Không vận hành máy với thiết bị cắt đã quá cùn hoặc đã bị hỏng.



## Các hướng dẫn bảo hành

- Thân thiện với môi trường. Vận hành máy tưa cành với mức tiếng ồn thấp như có thể và giảm thiểu xuống mức gây ô nhiễm thấp nhất. Đặc biệt kiểm tra việc điều chỉnh thích hợp bộ chế hòa khí.
- Lau sạch máy tưa cành theo từng chu kỳ và kiểm tra tất cả các vít và đai ốc xem đã được vít chặt hay chưa.
- Không được bảo dưỡng hoặc bảo quản máy tưa cành trong khu vực có lửa trần, tia lửa (11)...
- Luôn luôn bảo quản máy tưa cành trong phòng có khóa và được thông gió tốt và thùng nhiên liệu của thiết bị phải rỗng và để thiết bị xa tầm với của trẻ em.
- Không cố gắng sửa chữa máy nếu bạn không biết sửa chữa.



**Quan sát và theo dõi tất cả các hướng dẫn về ngăn ngừa tai nạn do các ủy ban an toàn của hiệp hội thương mại và các công ty bảo hiểm ban hành.**

**Không thực hiện bất kỳ sửa đổi nào đối với máy tưa cành vì điều này có thể làm ảnh hưởng đến sự an toàn của bạn.**

Việc thực hiện bảo dưỡng hoặc công việc sửa chữa do người sử dụng bị giới hạn đối với những hoạt động này như đã mô tả trong sách về quy trình hướng dẫn này. Tất cả các công việc khác đều do nhân viên dịch vụ được ủy quyền thực hiện.

Chỉ sử dụng các phụ tùng chính hiệu do MAKITA cung cấp hoặc ủy quyền hoặc do các trung tâm dịch vụ nhà máy cung cấp.

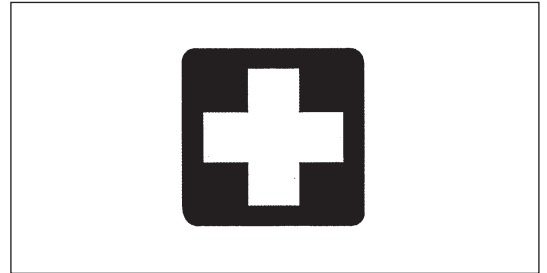
Việc sử dụng các phụ tùng và dụng cụ không được cho phép nghĩa là làm tăng rủi ro gây tai nạn hoặc tổn thương. MAKITA sẽ không chấp nhận bất kỳ trách nhiệm pháp lý nào đối với những tai nạn và hỏng hóc do việc sử dụng phụ tùng không chính hiệu gây ra.

## Sơ cứu

Trong trường hợp có tai nạn, phải đảm bảo đầy đủ các dụng cụ sơ cứu theo DIN 13164, luôn sẵn sàng trong khu vực thực hiện các thao tác tưa. Nhanh chóng thay thế bất kỳ dụng cụ nào đã được lấy ra khỏi cho bộ dụng cụ cấp cứu này.

**Khi yêu cầu giúp đỡ, vui lòng cung cấp những thông tin sau đây:**

- Nơi xảy ra tai nạn
- Những gì xảy ra
- Số người bị chấn thương
- Mức độ chấn thương
- Tên của bạn



## Đóng gói

Máy tưa cành MAKITA được cung cấp trong hộp bằng các tông bảo vệ để tránh bị hư hỏng trong quá trình vận chuyển. Các tông là vật liệu thô cơ bản và do đó có thể tái sử dụng hoặc phù hợp để tái chế (tái chế giấy thải).



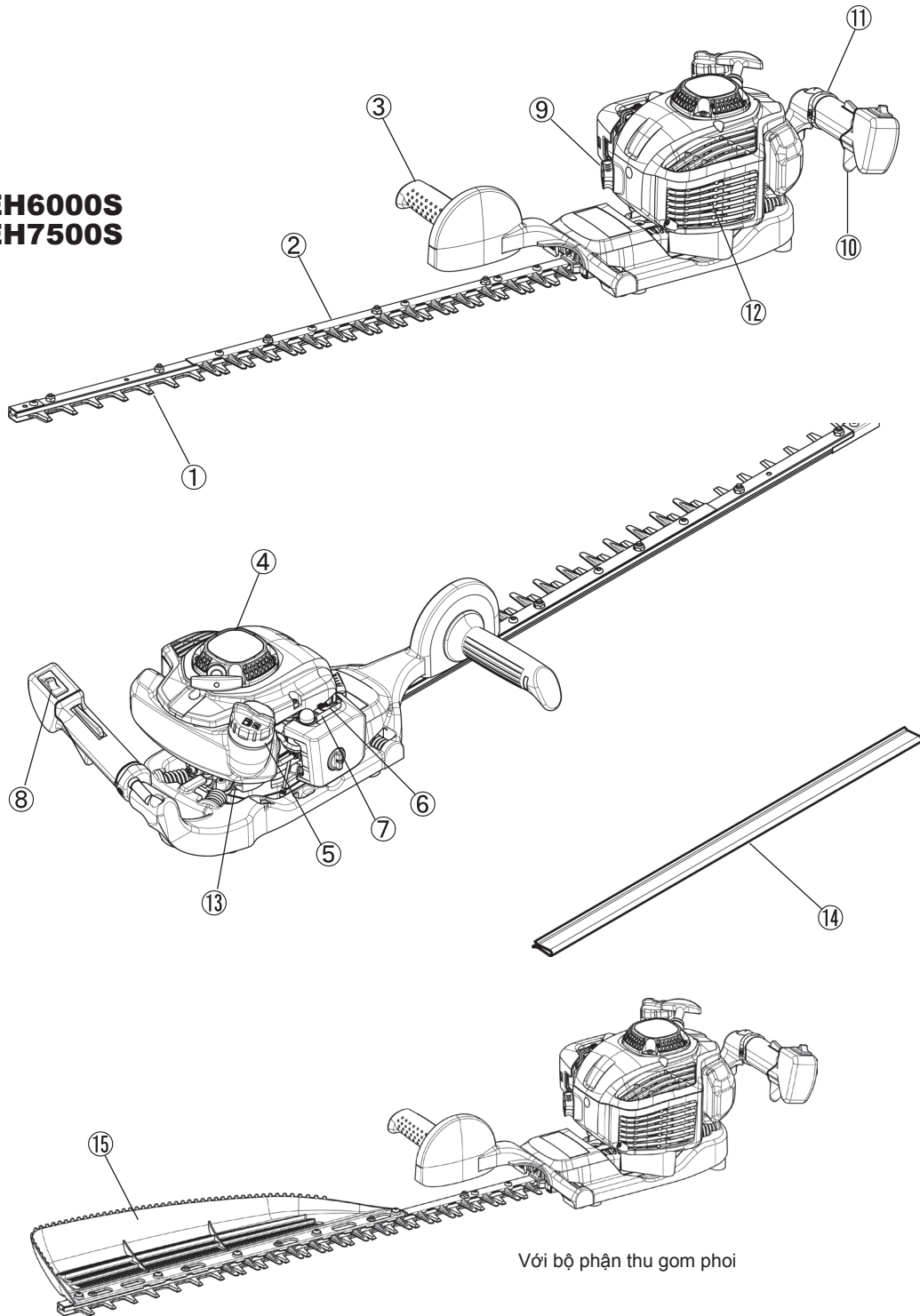


## DỮ LIỆU KỸ THUẬT

Loại		EH600S		EH750S	
			Với bộ phận thu gom bụi		Với bộ phận thu gom bụi
Kích thước (Dài x Rộng x Cao)	mm	1.010 x 323 x 212		1.150 x 323 x 212	
Khối lượng (không có nắp che lưỡi dao)	kg	4,5	4,7	4,7	4,9
Thể tích (bình nhiên liệu)	L	0,4			
Dung tích động cơ	cm <sup>3</sup>	22,2			
Chiều dài cắt	mm	588		728	
Hiệu suất động cơ tối đa	kW	0,68			
Kỳ/phút	min <sup>-1</sup>	4.390			
Vận tốc chạy không	min <sup>-1</sup>	3.000			
Tốc độ ăn khớp li hợp	min <sup>-1</sup>	4.000			
Loại bộ chế hòa khí	loại	WALBRO WYL			
Hệ thống đánh lửa	loại	Đánh lửa trạng thái rắn			
Bu gi	loại	NGK CMR6A			
Khe phóng điện	mm	0,7 - 0,8			
Tỉ lệ trộn (nhiên liệu: Nhớt động cơ MAKITA 2 kỳ)		50 : 1			
Tỉ số truyền		9 : 43			

## KÝ HIỆU CỦA CÁC BỘ PHẬN

**EH6000S  
EH7500S**



Với bộ phận thu gom phoi

	KÍ HIỆU CỦA CÁC BỘ PHẬN		KÍ HIỆU CỦA CÁC BỘ PHẬN		KÍ HIỆU CỦA CÁC BỘ PHẬN
1	Dao	7	Bộ chế hòa khí	13	Hộp số
2	Độ giãn cùn	8	Công tắc I-O (ON-OFF)	14	Nắp dao
3	Tay cầm trước	9	Bugì	15	Bộ phận thu gom phoi
4	Bộ khởi động giật	10	Cần tiết lưu		
5	Nắp thùng nhiên liệu	11	Tay cầm sau		
6	Cần nắp ghen hơi	12	Bộ giảm âm		

## NHIÊN LIỆU/NẠP NHIÊN LIỆU

### Hỗn hợp nhiên liệu và dầu

- Động cơ của máy tỉa cành là động cơ hai kỳ hiệu suất cao. Động cơ này chạy bằng hỗn hợp nhiên liệu và dầu động cơ hai kỳ. Động cơ được thiết kế dùng cho nhiên liệu thông thường không chứa chì với giá trị gốc octan là 91 ROZ là nhỏ nhất. Trong trường hợp không có loại nhiên liệu như vậy, bạn có thể sử dụng nhiên liệu với giá trị octan cao hơn. Sử dụng nhiên liệu này sẽ không làm ảnh hưởng đến động cơ, nhưng có thể gây ra trạng thái vận hành máy kém. Kết quả tương tự như vậy khi sử dụng nhiên liệu có chì. Để đạt được sự vận hành động cơ tối ưu và bảo vệ sức khỏe và môi trường, chỉ nên sử dụng nhiên liệu không chì!
- Để bôi trơn động cơ, ta sử dụng dầu động cơ hai kỳ (mức chất lượng: TSC-3), loại dầu này được bổ sung vào nhiên liệu. Động cơ đã được thiết kế để sử dụng dầu động cơ hai kỳ MAKITA và tỉ lệ hỗn hợp 50:1 nhằm bảo vệ môi trường. Ngoài ra sử dụng hỗn hợp nhiên liệu này giúp cho thiết bị có tuổi thọ lâu bền và vận hành đáng tin cậy với lượng khí thải tối thiểu. Điều tuyệt đối cần thiết là tuân thủ tỷ lệ hỗn hợp hơn 50:1 (dầu động cơ 2 kỳ của MAKITA), nếu không, không thể đảm bảo chức năng tin cậy của máy tỉa cành.
- Tỷ lệ hỗn hợp phù hợp:  
Xăng: cụ thể là dầu động cơ hai kỳ = 50:1 hoặc  
Xăng: dầu động cơ hai kỳ của nhà sản xuất khác = 25:1 được khuyến nghị

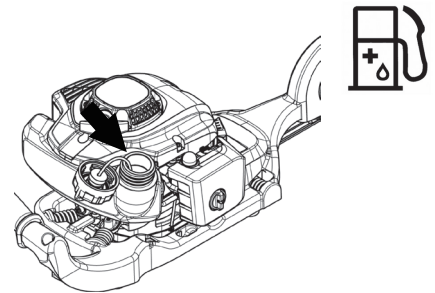
**CHÚ Ý:** Để chuẩn bị một hỗn hợp nhiên liệu-dầu, trước tiên trộn toàn bộ lượng dầu với một nửa lượng nhiên liệu cần thiết. Trong một chiếc bình đã được phê chuẩn sử dụng đáp ứng hoặc vượt tất cả các tiêu chuẩn mã hóa của địa phương, khi đó bổ sung thêm nhiên liệu còn lại. Lắc kỹ hỗn hợp trước khi nạp nó vào bình nhiên liệu của máy tỉa cành. Không nên bổ sung nhiều dầu máy hơn mức được chỉ định nhằm đảm bảo vận hành an toàn. Điều này sẽ chỉ tạo ra phần dư trong quá trình đốt cháy cao hơn, gây ô nhiễm môi trường và làm tắc đường xả trong xi lanh cũng như trong bộ giảm âm. Ngoài ra, tiêu thụ nhiên liệu sẽ tăng và hiệu suất sẽ giảm.

### Xử lý các sản phẩm dầu hỏa

Khi xử lý nhiên liệu cần phải hết sức thận trọng. Nhiên liệu chứa các chất giống như các dung môi. Nên nạp liệu trong khu vực thông gió tốt hoặc ở ngoài trời. Không hít vào hơi nhiên liệu, tránh để nhiên liệu hoặc dầu tiếp xúc với da của bạn. Nếu da của bạn tiếp xúc với những chất này liên tục và trong thời gian dài, da sẽ bị khô. Có thể dẫn đến nhiều bệnh về da. Ngoài ra, da có thể bị dị ứng. Mắt có thể bị kích thích do tiếp xúc với dầu, nhiên liệu... Nếu dầu, nhiên liệu,... vào mắt, cần phải rửa ngay bằng nước sạch. Nếu mắt của bạn vẫn bị kích thích, cần đi gặp bác sĩ ngay!



Quan sát các hướng dẫn an toàn trên trang 47.



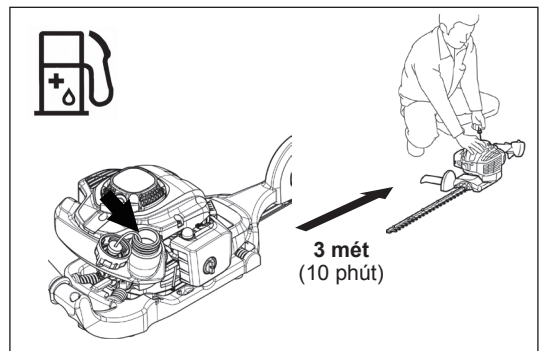
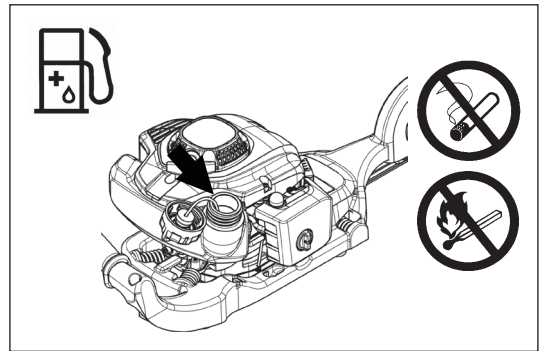
Xăng	Dầu
50:1	50:1 25:1
1.000 cm <sup>3</sup> (1 Lít) 5.000 cm <sup>3</sup> (5 Lít) 10.000 cm <sup>3</sup> (10 Lít)	20 cm <sup>3</sup> 40 cm <sup>3</sup> 100 cm <sup>3</sup> 200 cm <sup>3</sup> 200 cm <sup>3</sup> 400 cm <sup>3</sup>

## Nạp nhiên liệu

- Động cơ phải được tắt.
- Ngừng động cơ trong quá trình nạp liệu, để động cơ tránh xa ngọn lửa trần và không được hút thuốc lá.
- Cần thận không để tràn nhiên liệu hoặc dầu nhằm tránh để gây ô nhiễm đất (bảo vệ môi trường).  
Lau sạch máy tĩa cành ngay lập tức sau khi để tràn nhiên liệu.
- Không để tràn nhiên liệu lên động cơ. Lau sạch nếu cần thiết để tránh bắt cháy.
- Tránh để nhiên liệu tiếp xúc với quần áo của bạn. Thay quần áo ngay lập tức nếu để nhiên liệu tràn vào quần áo (tránh để quần áo bắt cháy).
- Kiểm tra nắp nhiên liệu định kỳ nhằm đảm bảo nắp nhiên liệu được siết chặt và không bị rò.
- Cần thận nắp chặt nắp nhiên liệu. Thay đổi vị trí để khởi động động cơ (cách ít nhất 3 mét so với vị trí nạp liệu.)
- Không nạp lại nhiên liệu trong phòng kín. Hơi nhiên liệu có thể tích tụ ở mặt đất. (Nguy cơ nổ.)
- Chỉ vận chuyển và cất giữ nhiên liệu trong các bình chứa được phê duyệt. Đảm bảo trẻ em không thể tiếp cận nhiên liệu được cất giữ.
- Làm sạch kỹ khi vực quanh nắp bình nhiên liệu để tránh bụi bẩn rơi vào bình nhiên liệu.
- Tháo nắp và nạp nhiên liệu vào bình. Sử dụng lưới thép mịn để lọc nhiên liệu.
- Chỉ vận chặt nắp bằng tay.
- Làm sạch quanh nắp và bình sau khi nạp lại nhiên liệu.
- Luôn lau sạch nhiên liệu bị tràn ra để tránh bị cháy.

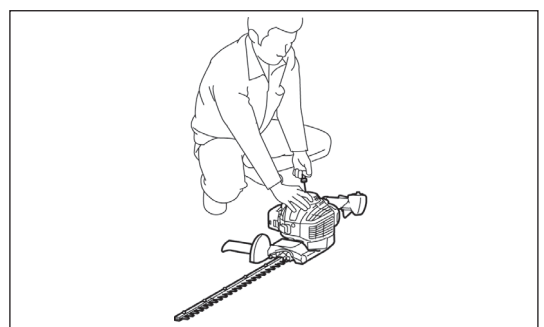
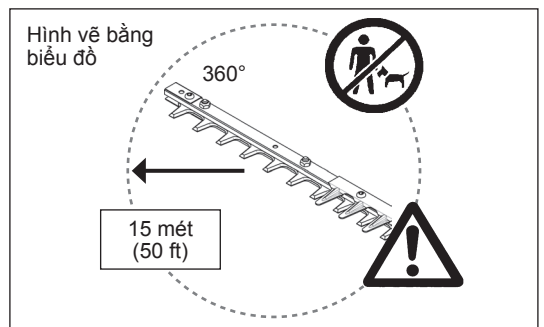
## Lưu trữ nhiên liệu

- Nhiên liệu không thể được lưu trữ trong một thời gian không giới hạn.
- Chỉ mua lượng nhiên liệu cần thiết cho một giai đoạn vận hành khoảng 4 tuần.
- Chỉ sử dụng bình chứa nhiên liệu đã được phê chuẩn.



## CÁC BIỆN PHÁP AN TOÀN TRƯỚC KHI KHỞI ĐỘNG

- Đảm bảo không để trẻ em hoặc người khác vào trong phạm vi 15 mét của khu làm việc, cần phải để ý tới bất kỳ vật nuôi trong vùng lân cận.
- Trước khi sử dụng, luôn kiểm tra xem máy tĩa cành có vận hành an toàn không. Kiểm tra rằng thiết bị cắt không bị hỏng, lấy điều khiển để hoạt động và kiểm tra chức năng đúng của Công tắc I-O. Không được xoay thiết bị cắt trong tốc độ không tải. Kiểm tra với đại lý của bạn để biết cách điều chỉnh nếu nghi ngờ. Kiểm tra xem các tay cầm có sạch và khô hay không, đồng thời kiểm tra chức năng của Công tắc I-O.
- Chỉ khởi động máy tĩa cành theo hướng dẫn. Không sử dụng bất kỳ phương pháp nào khác để khởi động động cơ. (Xem phần Khởi động)
- Khởi động động cơ máy tĩa cành sau khi đã thực hiện toàn bộ quá trình lắp ráp. Chỉ được phép vận hành động cơ sau khi các phụ tùng thích hợp đã được cố định. Nếu không có thể gây tổn thương cho người sử dụng.
- Trước khi khởi động, phải đảm bảo rằng thiết bị cắt không tiếp xúc với các vật như là cành cây, đá...
- Trước khi tinh chỉnh, kiểm tra khu vực đối với dây dẫn, dây mềm, thủy tinh, hoặc các vật thể lạ có thể tiếp xúc với dao.
- Điện giật. Lưu ý tới bất kỳ một và toàn bộ dây dẫn điện và hàng rào điện. Kiểm tra toàn bộ các khu vực về dây dẫn điện trước khi cắt.



## KHỞI ĐỘNG MÁY

Di chuyển máy cách vị trí nạp liệu ít nhất là 3 m. Đặt máy tĩa cành lên một vùng đất sạch sẽ và đảm bảo dụng cụ cắt không tiếp xúc với mặt đất hoặc bất kỳ vật thể nào.

**Khởi động nguội:** (Khi động cơ lạnh hoặc đã ngừng hoạt động được hơn 5 phút hoặc nhiên liệu được nạp vào động cơ.)

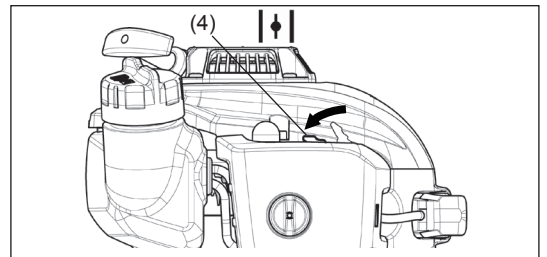
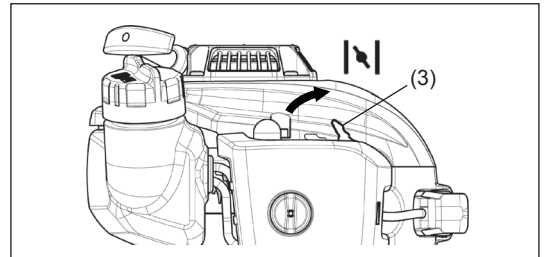
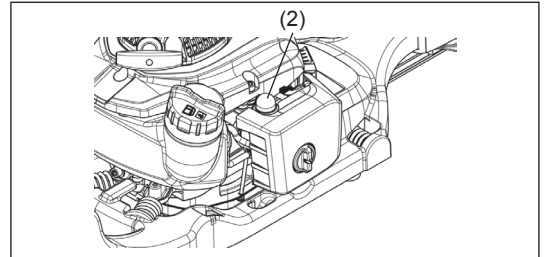
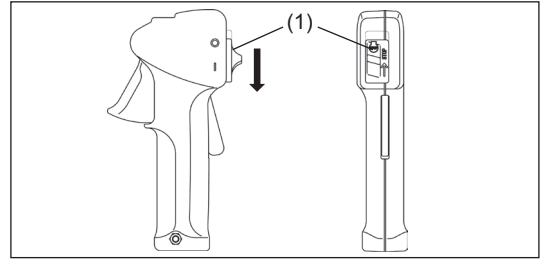
1. Ấn bộ chuyển mạch I-O (1) về vị trí "I".
2. Ấn nhẹ lên máy bơm mỗi khởi động (2) lặp đi lặp lại (7 đến 10 lần) cho đến khi nhiên liệu vào bơm mỗi khởi động.
3. Di chuyển cần lắp nghẽn hơi (3) tới vị trí "I".
4. Giữ bộ thiết bị chặt để bạn không bị mất điều khiển trong khi khởi động động cơ. Nếu không tiếp tục giữ máy một cách phù hợp, động cơ có thể đẩy làm bạn mất thăng bằng và làm dao bị kẹt hoặc làm vung lưỡi dao vào thân thể.
5. Kéo cần bộ khởi động một cách từ từ một khoảng cách 10 đến 15 cm, và kiểm tra vị trí của áp suất.
6. Kéo mạnh khi cảm thấy có sự tăng áp suất và khởi động máy.
7. Khi động cơ khởi động, trả cần lắp nghẽn hơi (4) về "I".
8. Chạy động cơ khoảng gần một phút ở tốc độ vừa phải trước khi chạy tốc độ cực đại.

**Chú ý:**

- Nếu cần bộ khởi động bị kéo liên tục khi cần lắp nghẽn hơi vẫn ở vị trí "I" động cơ sẽ không khởi động được một cách dễ dàng do nhiên liệu nạp vào thừa.
- Trong trường hợp nhiên liệu nạp vào thừa, tháo bu gi và kéo cần khởi động một cách từ từ để xả nhiên liệu thừa. Hơn nữa, lau khô phần điện cực của bugi.

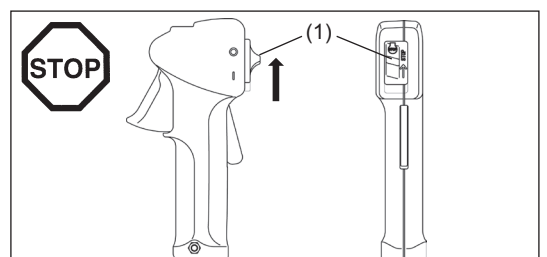
**Khởi động nóng:** (Khởi động lại ngay lập tức sau khi động cơ đã ngừng) Khi khởi động lại một động cơ nóng, trước tiên cần thử các trình tự trên: 1, 2, 4, 5, 6. Nếu động cơ không khởi động, lặp lại các bước trên từ 1-8.

**Chú ý:** Không kéo dây khởi động tới mức tối đa và không để kẹp bộ khởi động bị co lại một cách không có điều khiển, phải đảm bảo dây được co lại một cách từ từ.



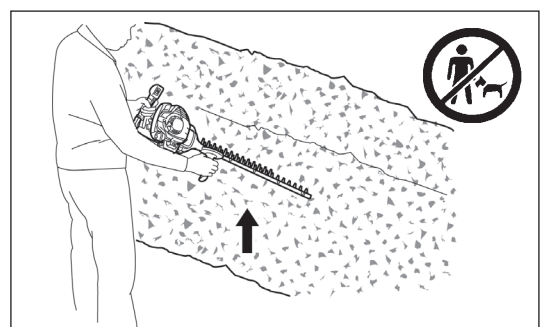
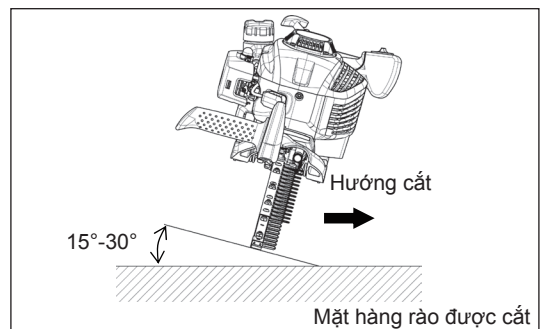
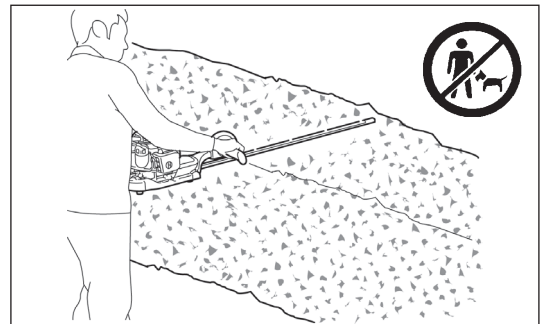
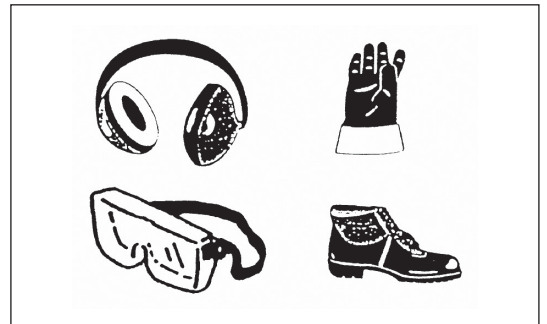
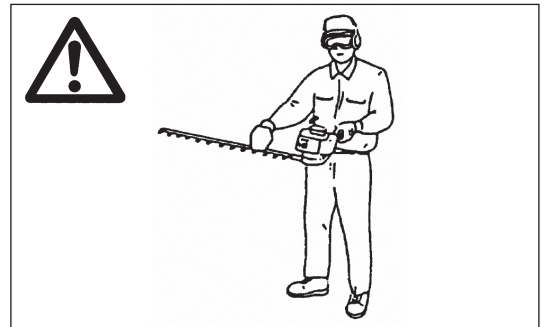
## NGỪNG MÁY

1. Nhả đòn bẩy tiết lưu hoàn toàn.
2. Ấn bộ chuyển mạch I-O (1) về vị trí "O", chuyển động quay của động cơ sẽ chậm và động cơ sẽ ngừng.



## VẬN HÀNH MÁY

- Không bao giờ được vận hành với kẹp bị chùng.
- Không sờ vào thiết bị cắt khi khởi động động cơ và khi động cơ đang trong quá trình vận hành.
- Vận hành máy tưa cành theo cách thức sao cho có thể tránh hít vào khí thải. Không chạy động cơ trong một phòng kín (có nguy cơ gây ngộ độc khí). Các bon monoxit là một khí không mùi.
- Tất cả trang bị và tấm chắn bảo vệ cung cấp kèm với máy đều phải được sử dụng trong quá trình vận hành.
- Không bao giờ được vận hành máy với bộ tiêu âm bị lỗi hoặc không có bộ tiêu âm.
- Sử dụng máy tưa cành trong điều kiện ánh sáng đầy đủ và có thể quan sát tốt.
- Trong mùa đông, chú ý tới các khu vực ẩm hoặc trơn như băng hoặc tuyết. (Có nguy cơ gây trơn trượt). Luôn luôn đảm bảo đúng an toàn.
- Không được đứng trên một thang và vận hành máy tưa cành này. Phải luôn luôn nhớ đặt cả hai chân trên mặt đất.
- Không được trèo lên cây cùng với máy tưa cành để thực hiện thao tác tưa.
- Không làm việc trên các bề mặt không ổn định.
- Lấy bỏ cát, đá, đinh, dây dẫn,... khi phát hiện có trong khu làm việc. Các vật lạ có thể làm hỏng lưỡi tưa.
- Trước khi thực hiện thao tác tưa, dao tưa phải đạt tốc độ tối đa.
- Luôn cầm chặt máy tưa cành bằng cả hai tay trên các cần điều khiển.
- Tay phải giữ với tay cầm trước của máy.
- Đây là cách vận hành máy an toàn.
- Sử dụng cách nắm chặt với ngón cái và ngón trỏ bao quanh các cần điều khiển.
- Khi bạn nhả ga, mắt một lúc trước khi các dao cắt ngừng lại.
- Máy tưa cành không được sử dụng để cắt với tốc độ chạy nhanh không tải. Tốc độ cắt không thể điều chỉnh được bằng cách điều khiển ga tại vị trí chạy nhanh không tải.
- Khi cắt một hàng rào, máy nên được giữ sao cho các dao tạo thành một góc từ 15-30° với đường cắt.
- Nếu máy tưa cành được sử dụng với các chuyển động tròn so với mép tưa của hàng rào, những cành nhỏ sẽ bị ném trực tiếp xuống mặt đất.
- Cần hết sức chú ý khi tưa các hàng rào được bố trí một hàng rào dây thép dài và đã lồng vào hàng rào dây thép đỡ.
- Lưỡi dao không được tiếp xúc với hàng rào thép, nếu không lưỡi dao sẽ bị hỏng.
- Không sử dụng máy tưa cành liên tục trong một thời gian dài. Thông thường để máy nghỉ 10 đến 20 phút sau 50 phút vận hành.
- Không để lưỡi dao chạm vào đá hoặc các vật cứng, khi đó cần nhanh chóng ngừng động cơ và kiểm tra các lưỡi tưa xem có bị tổn hại hay không. Thay thế các lưỡi dao bị hỏng trước khi bắt đầu lại công việc.
- Động cơ phải được ngừng ngay lập tức trong trường hợp động cơ có vấn đề.
- Vận hành máy tưa cành với mức tiếng ồn và gây ô nhiễm thấp nhất có thể. Đặc biệt cần kiểm tra để thiết lập bộ chế hòa khí và tỉ lệ nhiên liệu/dầu một cách thích hợp.
- Không cố gắng lấy vật liệu cắt bị kẹt khi các lưỡi dao đang chạy. Đặt máy xuống, tắt máy, và lấy ra vụn cắt cần thiết.



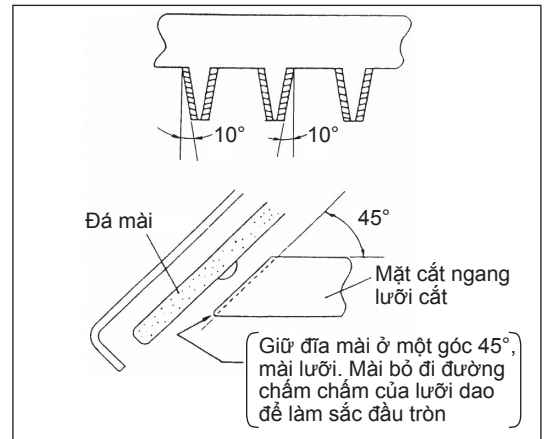
## HƯỚNG DẪN BẢO HÀNH

- Tắt động cơ và tháo bộ nối bugi khi thay thế hoặc mài các dụng cụ cắt, và khi lau sạch dao cắt hoặc thiết bị cắt hoặc thực hiện bất kỳ công việc bảo hành nào đó.
- Không được điều chỉnh hoặc hàn một lưỡi dao bị hỏng.
- Kiểm tra các dao cắt khi động cơ đã ngừng hoạt động được một lúc, kiểm tra định kỳ để xem có hư hại gì không.
- (Phát hiện các đường nứt dăm bằng phương tiện kiểm tra tiếng ồn đầu ra). Chú ý là các lưỡi dao rất sắc.
- Lau sạch máy tỉa cành định kỳ và kiểm tra xem tất cả các ren và đai ốc đã được vít chặt hay chưa.
- Không được bảo quản hoặc để máy tỉa cành trong khu vực có ngọn lửa trần để tránh gây ra các hỏa hoạn.
- Luôn đeo găng tay bằng da khi xử lý hoặc mài sắc lưỡi dao, khi chúng sắc.

### Mài sắc lưỡi dao

Nếu các lưỡi cắt bị cùn và không cắt tốt nữa, khi đó cần mài các phần bị che khuất. Không mài các bề mặt tiếp xúc (bề mặt trượt) của lưỡi cắt trên và dưới.

- Trước khi mài, cần siết chặt lưỡi dao và tắt động cơ và tháo nắp bugi.
- Đeo găng tay, kính bảo vệ,...
- Một lưỡi dao được mài quá nhiều trong một lần hoặc được mài nhiều lần sẽ bị mất đi lớp được tôi cứng. Nó sẽ trở nên tròn và cùn rất nhanh trong quá trình sử dụng.



### Điều chỉnh lưỡi dao

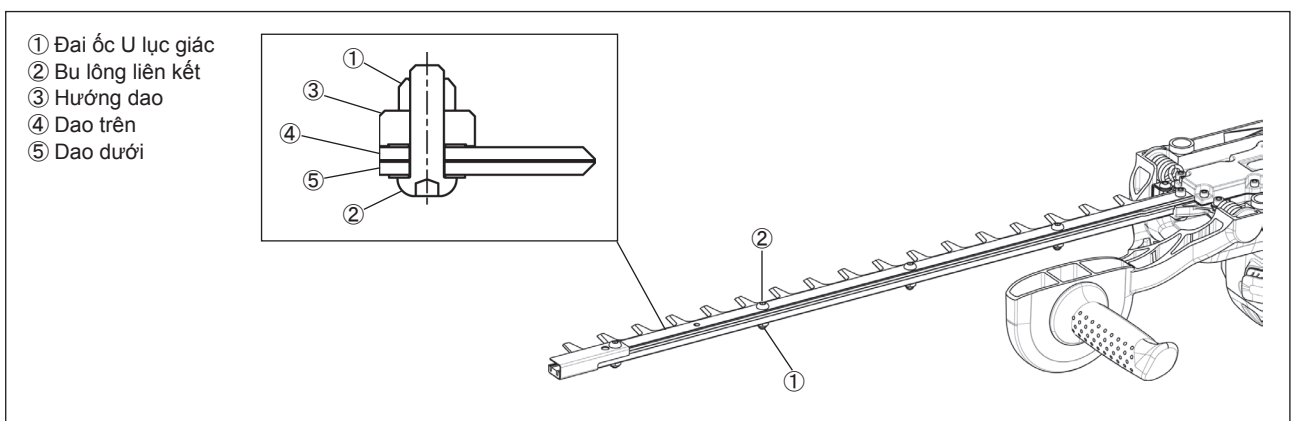
Lưỡi dao sẽ mòn khi sử dụng lâu. Khi bạn thấy khả năng cắt không còn tốt như khi lưỡi dao còn mới, cần điều chỉnh chúng như sau:

1. Nới đai ốc ① lỏng.
2. Bắt vít ② với bộ điều khiển một cách nhẹ nhàng cho đến khi nó ngừng quay, và sau đó vặn ngược lại một phần tư vòng.
3. Vặn đai ốc ①, giữ bu lông ② đồng thời với chìa vặn lục giác.
4. Bôi trơn với dầu nhẹ cho các lưỡi dao sau khi đã thực hiện các bước điều chỉnh trên.
5. Khởi động động cơ và vận hành tắt mở bướm ga động cơ khoảng một phút.
6. Dừng động cơ và dùng tay sờ vào các lưỡi dao. Nếu chúng đủ ấm để bạn chạm tay vào, khi đó bạn đã thực hiện điều chỉnh phù hợp. Nếu chúng quá nóng để bạn có thể sờ vào được, vặn bu lông ② ngược lại một chút và làm lại bước thứ 5 để xem các lưỡi dao đã được điều chỉnh một cách thích hợp hay chưa.

**CHÚ Ý: Phải luôn luôn ngừng động cơ trước khi thực hiện điều chỉnh.**

Các lưỡi dao có một rãnh xung quanh vít ②. Trong trường hợp bạn thấy có bụi ở cuối mỗi rãnh, lau sạch nó.

**CHÚ Ý: Đảm bảo lưỡi dao đã ngừng hoạt động được một lát (EN 774), đảm bảo điều chỉnh lưỡi dao trước khi vận hành.**



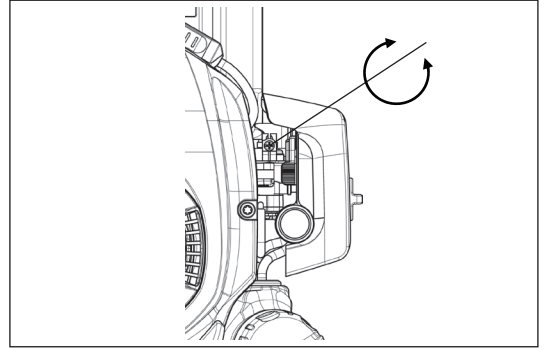
## Kiểm tra và điều chỉnh tốc độ chạy không tải

Dao cắt không nên được chạy khi cần điều khiển đã được nhả ra hoàn toàn.

- Tốc độ không tải nên được thiết lập về mức 3.000 min<sup>-1</sup>.
- Nếu cần thiết, điều chỉnh nó bằng vít chạy không tải (lưỡi cắt không được chạy khi động cơ đang ở chế độ không tải).
  - Theo chiều kim đồng hồ: để có được tốc độ số vòng quay nhanh hơn.
  - Ngược chiều kim đồng hồ: để có được tốc độ số vòng quay chậm hơn.

Kiểm tra xem có đủ sự chênh lệch giữa tốc độ vào khớp ly hợp và tốc độ chạy không để đảm bảo dụng cụ cắt vẫn đứng yên khi động cơ đang chạy không tải. (nếu cần thiết, giảm tốc độ chạy không tải.) Nếu dụng cụ vẫn tiếp tục chạy dưới các điều kiện không tải, tham khảo ý kiến đại lý bảo hành được ủy quyền gần nhất của bạn.

- Ly hợp nên vào khớp tối thiểu 3.750 min<sup>-1</sup>.
- Kiểm tra chức năng của bộ chuyển mạch I-O, cần khóa, cần điều khiển, và nút khóa.



## LAU SẠCH BỘ LỌC KHÍ



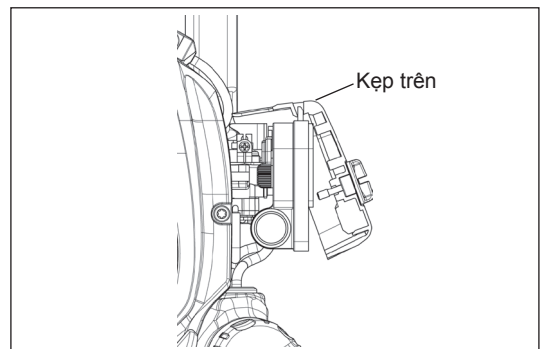
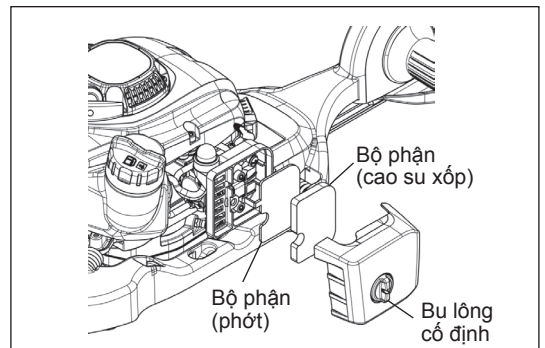
### CẢNH BÁO NGUY HIỂM: NGHIÊM CẢM CÁC CHẤT DỄ CHÁY

Khoảng thời gian lau sạch và kiểm tra: hàng ngày (cứ sau 10 giờ vận hành)

- Điều chỉnh cần nhấc nắp hơi tới bên đóng kín, và giữ gìn bộ chế hòa khí luôn sạch bụi và bẩn.
- Vận các bu lông cố định nắp bộ lọc khí.
- Kéo phần dưới nắp và tháo nắp bộ lọc khí.
- Nếu dầu dính vào bộ phận (cao su hút), cần vắt chặt nó.
- Đối với nhiệm vụ nặng:
  - 1) Tháo bộ phận (cao su hút), nhúng nó vào nước ấm hoặc chất tẩy rửa trung hòa pha loãng trong nước, và để nó khô hoàn toàn.
  - 2) Lau sạch bộ phận (rỉ) với xăng, và làm khô nó hoàn toàn.
- Trước khi lắp bộ phận, nhớ để nó khô hoàn toàn. Nếu lắp bộ phận đó khi chưa đủ khô có thể dẫn đến khó khởi động.
- Lau bằng giẻ lau, dầu bám xung quanh bộ lọc khí.
- Ngay sau khi lau xong, gắn lắp bộ lọc và vít chặt nó bằng các bu lông cố định. (Khi ráp lại, trước tiên lắp kẹp trên.)

### Các điểm cần lưu ý trong xử lý bộ phận lọc khí

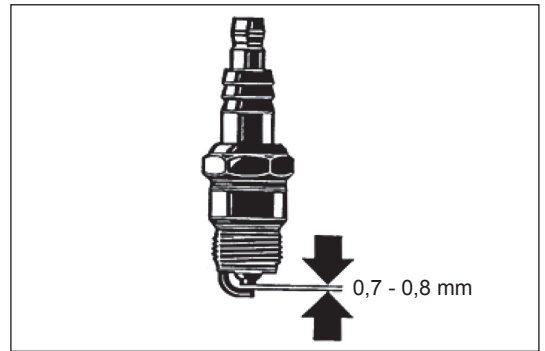
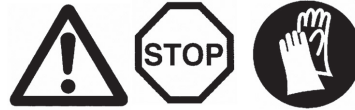
- Lau sạch bộ phận vài lần một ngày, nếu có bụi bám vào bộ phận đó.
- Nếu vận hành tiếp với bộ phận vẫn chưa được làm sạch dầu, dầu trong bộ lọc khí có thể chảy ra ngoài, làm ô nhiễm đất.





## Kiểm tra bugi – Tám tiếng một lần (Hàng ngày)

- Chỉ sử dụng chìa vặn vít thông dụng được cung ứng để tháo hoặc lắp bugi.
- Khe hở giữa hai điện cực của bugi nên được duy trì ở mức 0,7 - 0,8 mm. Nếu khe hở này quá rộng hoặc quá hẹp, cần phải điều chỉnh nó. Nếu bugi bị kẹt than, làm sạch nó thật kỹ hoặc thậm chí phải thay thế. Thay thế đúng chủng loại.



## Cung cấp mỡ và bôi trơn

- Cung cấp mỡ từ ống nối mỡ khoảng 50 giờ một lần. (Shell Alvania Số. 3 hoặc tương đương)

**CHÚ Ý:** Nhớ quan sát thời gian cụ thể và lượng cung cấp mỡ. Nếu việc cung cấp mỡ không được thực hiện theo khoảng thời gian quy định hoặc nếu lượng mỡ được cung cấp là không đủ, máy có thể gặp trục trặc do thiếu mỡ.

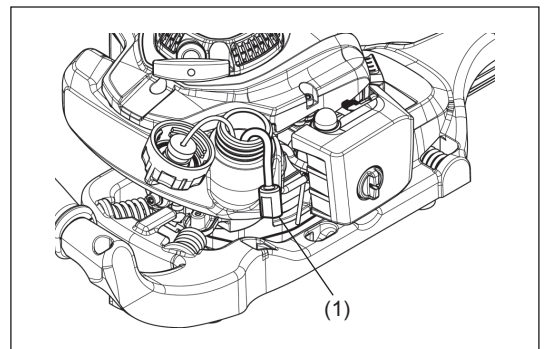
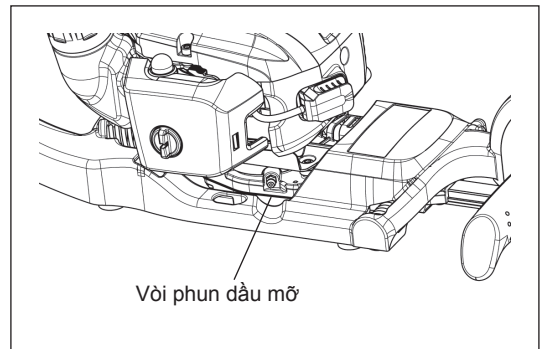
## LÀM SẠCH BỘ LỌC NHIÊN LIỆU

### CẢNH BÁO: NGHIÊM CẤM CÁC CHẤT DỄ CHÁY

Khoảng thời gian làm sạch và kiểm tra: Hàng tháng (50 giờ vận hành một lần)

## Đầu hút trong bình nhiên liệu

- Bộ lọc phớt (1) của đầu hút được sử dụng để lọc nhiên liệu cung cấp cho bộ chế hòa khí.
- Thực hiện kiểm tra bằng mắt định kỳ đối với bộ lọc phớt.
- Về mục đích này, mở nắp bình nhiên liệu, sử dụng móc bằng dây thép và kéo đầu hút ra thông qua chỗ mở nắp bình nhiên liệu. Các bộ lọc bị phát hiện đã bị cứng, bị ô nhiễm hoặc bị kẹt phải được thay thế.
- Cung cấp nhiên liệu không đủ có thể làm cho tốc độ tối đa cho phép bị vượt quá. Do đó việc thay thế bộ lọc phớt ít nhất ba tháng một lần có vai trò quan trọng để đảm bảo cung cấp đủ nhiên liệu cho bộ chế hòa khí.



## THAY THẾ ỐNG NHIÊN LIỆU

### COI CHỪNG: NGHIÊM CẤM CÁC CHẤT DỄ CHÁY

Khoảng thời gian làm sạch và kiểm tra: hàng ngày (mười giờ vận hành một lần)

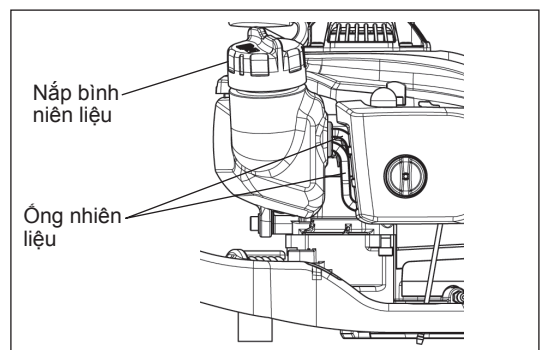
Thay thế: Hàng năm (200 giờ vận hành một lần)

Thay thế ống nhiên liệu hàng năm, bất kể tần suất vận hành như thế nào. Rò nhiên liệu có thể gây cháy.

Nếu phát hiện rò rỉ trong quá trình kiểm tra, cần thay thế ống dẫn dầu ngay.

## THAY THẾ NẮP BÌNH NHIÊN LIỆU

- Nếu có bất kỳ khe nứt hoặc chỗ hỏng trên nắp bình nhiên liệu, cần thay thế nó.
- Nắp bình nhiên liệu có thể bị ăn mòn, và do đó cần phải thay mới hai đến ba năm một lần.

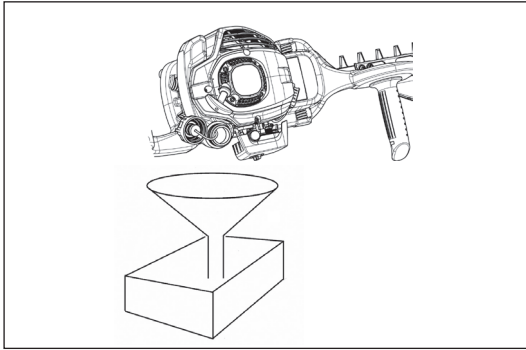


## Kiểm tra và bảo dưỡng hàng ngày

Để thiết bị có tuổi thọ lâu dài và tránh làm hỏng thiết bị, bạn cần thực hiện các thao tác bảo dưỡng thiết bị định kỳ sau đây:

- Trước khi vận hành, kiểm tra máy xem có vít nào bị lỏng hoặc có thiếu sót bộ phận nào hay không. Chú ý tới độ chặt của các vít của lưỡi dao cắt.
- Trước khi vận hành, cần phải luôn kiểm tra xem đường dẫn khí làm mát và các cánh xi lanh có bị kẹt hay không. Làm sạch chúng nếu cần thiết.
- Thực hiện các công việc sau đây hàng ngày sau khi sử dụng:
  - Lau sạch máy tia cánh bên ngoài và kiểm tra xem thiết bị có bị hư hại nào hay không.
  - Lau sạch bộ lọc khí. Khi làm việc trong các điều kiện đầy bụi, cần phải làm sạch bộ lọc vải lần một ngày.
  - Kiểm tra các dao xem có bị hư hại gì hay không và đảm bảo chúng phải được lắp chặt.

## LƯU TRỮ



- Khi bảo quản máy một thời gian dài, phải tháo hết nhiên liệu ra khỏi bình chứa nhiên liệu và bộ chế hòa khí, như sau: Tháo toàn bộ nhiên liệu khỏi bình chứa nhiên liệu.
- Tháo bugi và nhỏ vài giọt dầu vào lỗ bugi. Sau đó, kéo bộ khởi động nhẹ nhàng để xác nhận rằng màng dầu phủ kín phần bên trong máy và lấp chặt bugi.
- Lau sạch bụi hoặc bắn khỏi lưỡi dao cắt và phần bên ngoài của máy, lau chúng bằng vải thấm dầu và sau đó để máy khô.

## LỊCH TRÌNH BẢO DƯỠNG

<b>Tổng quan</b>	Bộ máy, vit và các đai ốc	Kiểm tra bằng mắt thường đối với các hư hại và độ chặt Kiểm tra điều kiện và an toàn chung
<b>Sau mỗi lần nạp liệu</b>	Đòn bẫy tiết lưu Bộ chuyển mạch I-O	Kiểm tra chức năng Kiểm tra chức năng
<b>Hàng ngày</b>	Bộ lọc khí Ống dẫn khí làm mát Dụng cụ cắt Tốc độ chạy không	Cần phải lau sạch Cần phải lau sạch Kiểm tra hư hại và độ sắc Kiểm tra (dụng cụ cắt phải không được chuyển động)
<b>50 giờ vận hành</b>	Hộp số	Cung cấp mỡ
<b>Hàng tuần</b>	Bugie Bộ giảm âm	Kiểm tra, thay thế nếu cần thiết Kiểm tra và nếu cần thiết làm sạch độ mỡ
<b>Hàng quý</b>	Đầu hút Bình nhiên liệu	Phải thay thế Phải làm sạch
<b>Quy trình tắt máy</b>	Bình nhiên liệu Bộ chế hòa khí	Bình nhiên liệu rỗng Vận hành cho đến khi máy chạy hết xăng

## XÁC ĐỊNH LỖI

Lỗi	Hệ thống	Quan sát	Nguyên nhân
Động cơ không khởi động hoặc khó khởi động	Hệ thống đánh lửa	Tồn tại tia đánh lửa Không có tia đánh lửa	Hệ thống cung cấp nhiên liệu hoặc hệ thống nén bị lỗi, lỗi máy móc
	Cung cấp nhiên liệu	Bình nhiên liệu được đổ đầy	Bộ chuyển mạch I-O hoạt động, lỗi dây dẫn hoặc đoạn mạch, đầu hút (bộ lọc đường dẫn khí) bẩn, đường cấp nhiên liệu bị cong hoặc bị đứt quãng
	Nén	Bên trong động cơ	Lớp đệm đáy xi lanh bị hỏng, vít kín tay quay bị hỏng, vòng xi lanh hoặc pít tông bị hỏng
		Bên ngoài động cơ	Bit kín bugi không phù hợp
Lỗi cơ khí	Bộ khởi động không ăn khớp	Lò xo bộ khởi động bị hỏng, các bộ phận bị hỏng bên trong động cơ	
		Tồn tại tia đánh lửa khi bình nhiên liệu đổ đầy	Bộ chế hòa khí bị nhiễm bẩn, lau sạch nó
Vấn đề khởi động nóng			
Động cơ khởi động nhưng chết máy ngay lập tức	Cung cấp nhiên liệu	Bình nhiên liệu được đổ	Điều chỉnh chạy không không thích hợp, đầu hút hoặc bộ chế hòa khí bị nhiễm bẩn
			Lỗ thông hơi bình nhiên liệu bị hỏng, đường cấp liệu bị gián đoạn, cấp hoặc bộ chuyển mạch I-O bị lỗi
Hiệu suất không đủ	Một vài hệ thống có thể đồng thời bị ảnh hưởng	Động cơ chạy không tải	Bộ lọc khí bị nhiễm bẩn, bộ chế hòa khí bị nhiễm bẩn, bộ tiêu âm bị kẹt, ống xả trong xi lanh bị kẹt



# Makita Corporation

3-11-8, Sumiyoshi-cho,  
Anjo, Aichi 446-8502 Japan

[www.makita.com](http://www.makita.com)

885070D375

ALA