



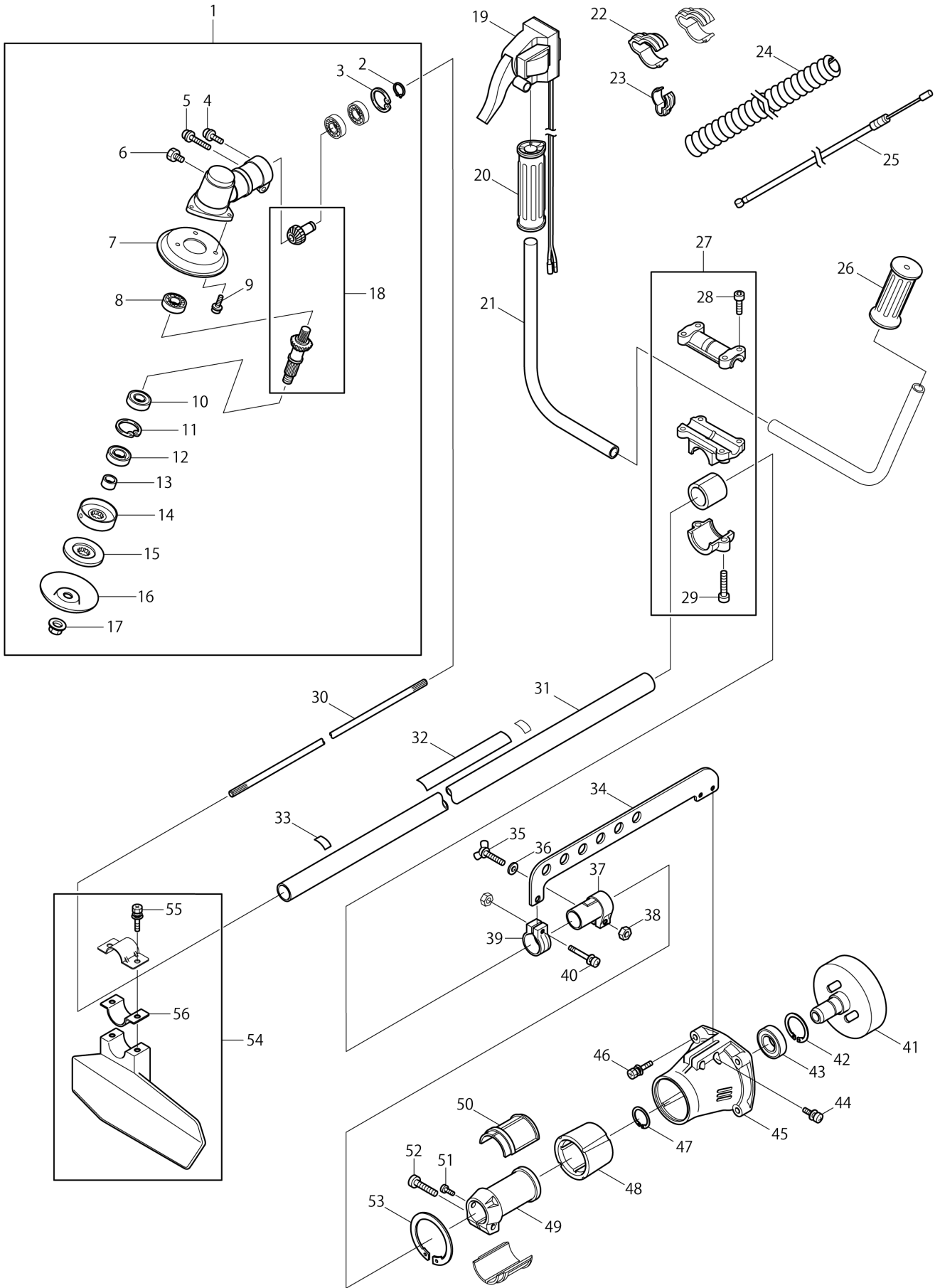
VN	VIETNAM
----	---------

# Diagram / Parts List

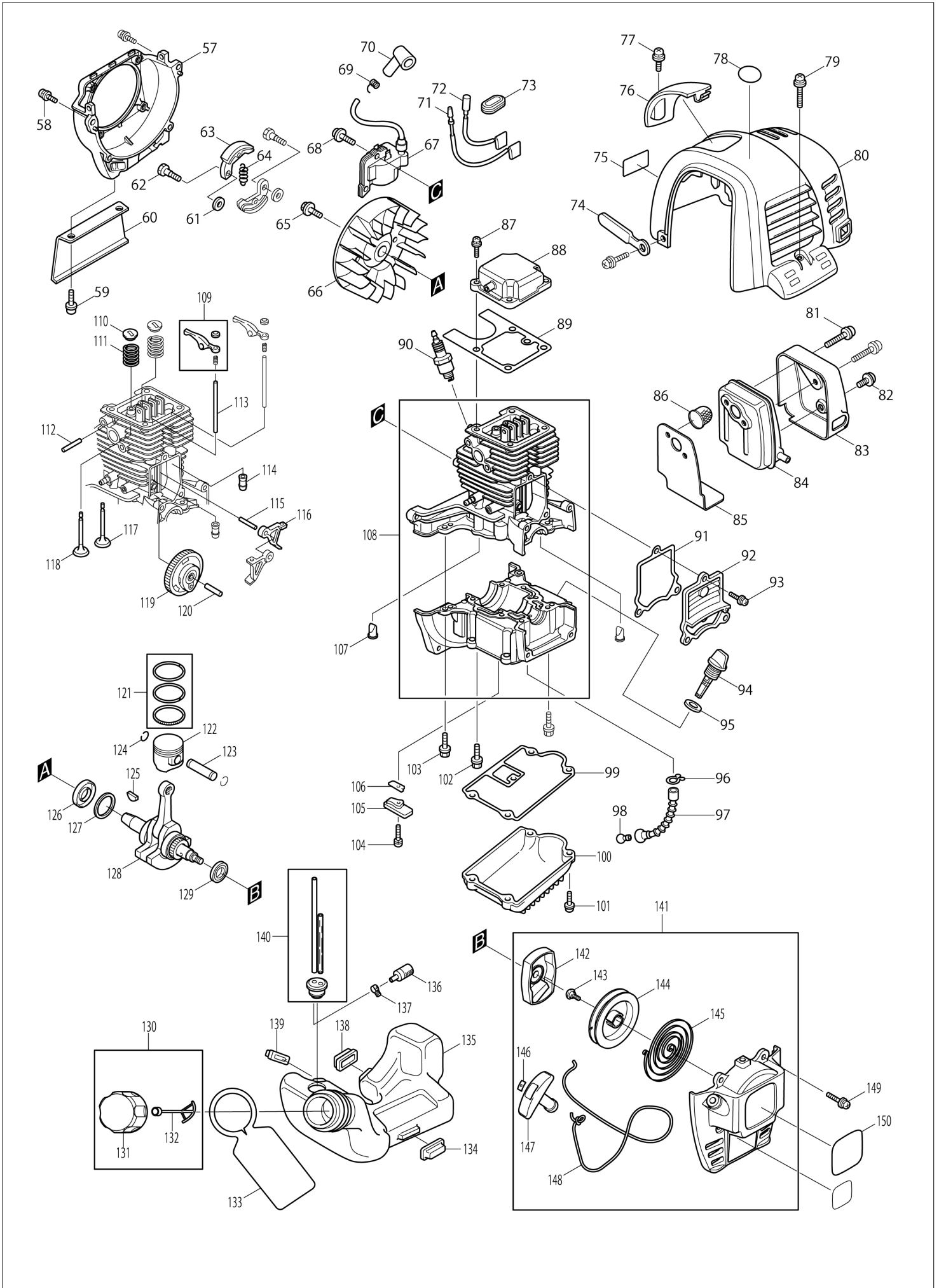
**EBH340U**  
**BRUSH CUTTER**



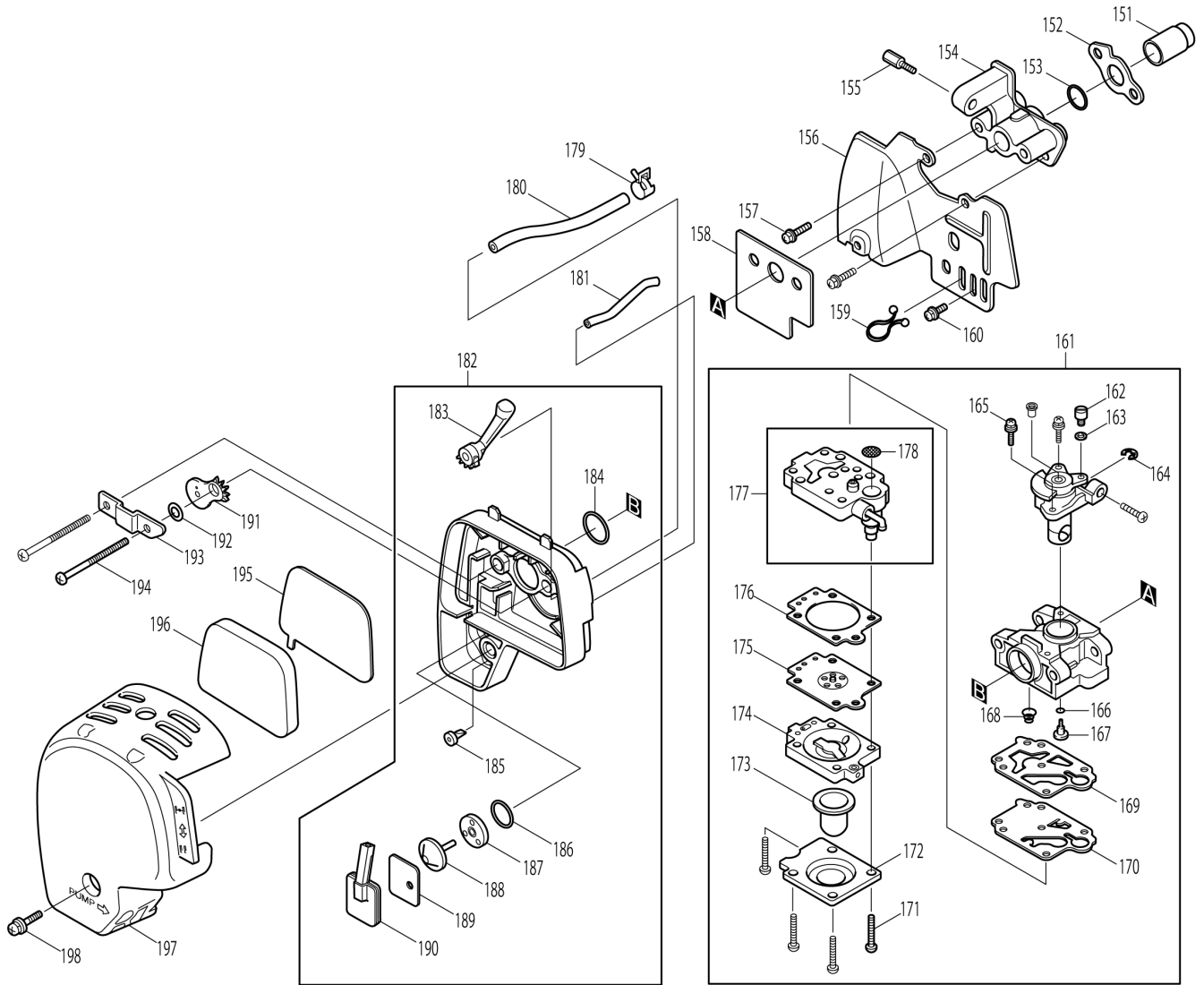
(VN) EBH340U / BRUSH CUTTER



# (VN) EBH340U / BRUSH CUTTER



(VN) EBH340U / BRUSH CUTTER



<b>VN</b>	<b>VIETNAM</b>
-----------	----------------

### EBH340U / BRUSH CUTTER

Item	Sub	Parts No.	Parts Description	Qty	I/C	E/C No.	Close No.	Remark
001		6343006000	CASE, GEAR ASS'Y	1			Y05970	
	D10		INC. 1-18				Y05970	
001-1		125922-4	GEAR CASE ASSEMBLY	1	O	Y05970		
	C10	ME0B011100	GEAR CASE	1		Y06690		
	D10		INC. 2-18			Y05970		
002		0031512000	OUTER SNAP RING	1			Y05970	
002-1		961052-5	RETAINING RING S-12	1	O	Y05970		
003		0031428000	INNER SNAP RING	1			Y05970	
003-1		962106-1	RETAINING RING R-28	1	O	Y05970		
004		0043505100	SCREW & WASHER ASS'Y	1			Y06152	
004-1		266646-4	PAN HEAD SCREW M5X10	1	O	Y06152		
005		0119069680	SOCKET HEAD BOLT M6X30 (W.SW)	1			Y06152	
005-1		266649-8	SOCKET HEAD BOLT M6X30	1	O	Y06152		
006		6343006060	OIL BOLT	1			Y05970	
006-1		266650-3	OIL BOLT M6X8	1	O	Y05970		
007		6343006030	GUARD	1			Y05970	
007-1		346402-9	GUARD	1	O	Y05970		
008		0600129820	BALL BEARING	3			Y06152	
008-1		210122-0	BALL BEARING 6001ZZ	3	O	Y06152	B4383	
008-2		211148-5	BALL BEARING 6001ZZ	3	O	B4383		
009		0043504080	SCREW & WASHER ASS'Y	3			Y06152	
009-1		266645-6	PAN HEAD SCREW M4X8	3	O	Y06152		
010		0600159800	BALL BEARING	1			Y05970	
010-1		210203-0	BALL BEARING 6202	1	O	Y05970	B4383	
010-2		211209-1	BALL BEARING 6202	1	O	B4383		
011		0031435000	INNER SNAP RING	1			Y05970	
011-1		962153-2	RETAINING RING R-35	1	O	Y05970		
012		6343006050	OIL SEAL	1			Y05970	
012-1		213592-2	OIL SEAL 22	1	O	Y05970		
013		6343006040	SPACER	1			Y05970	
013-1		452641-2	SPACER	1	O	Y05970		
014		6343006020	RECEIVE WASHER	1			Y05970	
014-1		331938-1	RECEIVE WASHER	1	O	Y05970		
015		6348500100	CLAMP WASHER	1			Y06152	
015-1		346404-5	CLAMP WASHER	1	O	Y06152		
016		6348500400	CUP	1			Y05991	
016-1		346406-1	CUP	1	O	Y05991		
017		6343006010	NUT	1			Y05970	
017-1		264052-7	NUT M10	1	O	Y05970		
018		6343007000	CUTTER SHAFT SET	1			Y05970	
018-1		125923-2	CUTTER SHAFT ASSEMBLY	1	O	Y05970		
019		6345011000	CONTROL LEVER ASS'Y	1			Y05991	
019-1		125925-8	CONTROL LEVER ASSEMBLY	1	O	Y05991		
020		6344500800	GRIP	1			Y06152	
020-1		273670-0	GRIP	1	O	Y06152		
021		6344500600	HANDLE	2			Y05991	
021-1		452642-0	HANDLE	2	O	Y05991		
022		6341502500	WIRE CLAMP	2			Y06152	
022-1		452640-4	WIRE CLAMP	2	O	Y06152		
023		6341502400	WIRE CLAMP	1			Y06152	
023-1		452639-9	WIRE CLAMP	1	O	Y06152		
024		6345500000	CABLE TUBE	1			Y06152	
024-1		422071-1	CABLE TUBE	1	O	Y06152		
025		6345010000	CONTROL CABLE	1			Y06152	
025-1		353019-1	CONTROL CABLE	1	O	Y06152		
026		6344500700	GRIP	1			Y06152	
026-1		273669-5	GRIP	1	O	Y06152		
027		6344005000	HANDLE HOLDER ASSY	1			Y06899	
	D10		INC. 28,29				Y06899	
027-1		125924-0	HANDLE HOLDER ASSEMBLY	1	O	Y06899		
	D10		INC. 28,29				Y06899	
028		0119059890	SOCKET HEAD BOLT M5X25	4			Y06152	
028-1		266805-0	H.S.H.BOLT M5X25 WITH W	4	O	Y06152		
029		0119069680	SOCKET HEAD BOLT M6X30 (W.SW)	2			Y06152	
029-1		266649-8	SOCKET HEAD BOLT M6X30	2	O	Y06152		

Interchange  
O : Yes  
X : No  
< : the new part can be substituted for the current.  
> : the current part can be substituted for the new.  
S : Interchangeable as a set.

<b>VN</b>	<b>VIETNAM</b>
-----------	----------------

### EBH340U / BRUSH CUTTER

Item	Sub	Parts No.	Parts Description	Qty	I/C	E/C No.	Close No.	Remark
030		6341502100	SHAFT	1			Y05991	
030-1		326033-0	SHAFT	1	O	Y05991		
031		6341006000	SHAFT COMPLETE PIPE	1			Y06152	
031-1		140819-6	SHAFT PIPE COMPLETE	1	O	Y06152		
032		6349506400	CAUTION LABEL	1			Y06813	
032-1		892407-2	CAUTION LABEL	1	O	Y06813		
033		6259514700	CAUTION LABEL	1			Y06152	
033-1		808723-2	CAUTION LABEL	1	O	Y06152		
034		6347500200	HANGER	1				
035		0122059960	BUTTERFLY SCREW M5X25	1				
036		0200059900	WASHER M5	1				
037		6347500300	STOPPER, HANGER	1			Y06584	
037-1		452643-8	HANGER STOPPER	1	O	Y06584		
038		0023405000	NUT M5	2				
039		6347500400	HOLDER, HANGER	1			Y06584	
039-1		452644-6	HANGER HOLDER	1	O	Y06584		
040		0043605303	SCREW ASSY M5X30 (W,SW)	1				
041		6342005000	CLUTCH DRUM COMPLETE	1			Y05908	
041-1		6342005001	CLUTCH DRUM COMPLETE	1	O	Y05908	Y05939	
041-2		140820-1	CLUTCH DRUM COMPLETE	1	O	Y05939		
042		0031435000	INNER SNAP RING	1			Y06584	
042-1		962153-2	RETAINING RING R-35	1	O	Y06584		
043		0600159810	BALL BEARING	1			Y06152	
043-1		210204-8	BALL BEARING 6202DDU	1	O	Y06152	B4383	
043-2		211206-7	BALL BEARING 6202LLB	1	O	B4383		
044		0043505123	SCREW ASSY M5X12 (SW)	2			Y06152	
044-1		266647-2	PAN HEAD SCREW M5X12	2	O	Y06152		
045		6341501600	CASE CLUTCH	1			Y05991	
045-1		318713-2	CLUTCH CASE	1	O	Y05991		
046		0119069680	SOCKET HEAD BOLT M6X30 (W.SW)	4			Y06152	
046-1		266649-8	SOCKET HEAD BOLT M6X30	4	O	Y06152		
047		0031515000	OUTER SNAP RING	1			Y06152	
047-1		257967-5	RETAINING RING (EXT) 15	1	O	Y06152		
048		6341502300	PIPE DAMPER	1			Y06152	
048-1		424400-4	DAMPER PIPE	1	O	Y06152		
049		6341501700	PIPE BRACKET	1			Y06584	
049-1		318698-2	BRACKET PIPE	1	O	Y06584		
050		6341502200	SPACER	2			Y06152	
050-1		452638-1	SPACER	2	O	Y06152		
051		0043505123	SCREW ASSY M5X12 (SW)	1			Y06152	
051-1		266647-2	PAN HEAD SCREW M5X12	1	O	Y06152		
052		0119069680	SOCKET HEAD BOLT M6X30 (W.SW)	1			Y06152	
052-1		266649-8	SOCKET HEAD BOLT M6X30	1	O	Y06152		
053		0031455000	INNER SNAPRING	1			Y06152	
053-1		257966-7	RETAINING RING (INT) 55	1	O	Y06152		
054		6348005000	PROTECTOR ASSY	1			Y06584	
	D10		INC. 55,56				Y06584	
054-1		125926-6	PROTECTOR ASSEMBLY	1	O	Y06584		
	D10		INC. 55,56				Y06584	
055		0119069630	SOCKET HEAD BOLT M6X20 (W,SW)	2			Y06152	
055-1		266648-0	SOCKET HEAD BOLT M6X20	2	O	Y06152		
056		6348500300	PROTECTOR CLAMP	2			Y06152	
056-1		346405-3	PROTECTOR CLAMP	2	O	Y06152		
057		5935500200	BLOWER HOUSING	1			Y06152	
057-1		318614-4	BLOWER HOUSING	1	O	Y06152		
058		0119059531	SOCKET HEAD BOLT M5X16(W,SW)	4			Y06152	
058-1		266813-1	H.S.H.BOLT M5X16 WITH WR	4	O	Y06152		
059		0043505123	SCREW ASSY M5X12 (SW)	2			Y06152	
059-1		266647-2	PAN HEAD SCREW M5X12	2	O	Y06152		
060		5939503700	STAND	1			Y06393	
060-1		346447-7	STAND	1	O	Y06393		
061		0200089800	WASHER	2			95517	
061-1		253762-1	FLAT WASHER 8	2	O	95517		
062		5938500000	CLUTCH BOLT	2			Y05403	
062-1		5318500503	CLUTCH BOLT M8X13	2	S	Y05403	Y06152	

Interchange  
O : Yes  
X : No  
< : the new part can be substituted for the current.  
> : the current part can be substituted for the new.  
S : Interchangeable as a set.

<b>VN</b>	<b>VIETNAM</b>
-----------	----------------

### EBH340U / BRUSH CUTTER

Item	Sub	Parts No.	Parts Description	Qty	I/C	E/C No.	Close No.	Remark
062-2		266571-9	SHOULDER HEX. BOLT M8X23	2	O	Y06152		
063		5318003010	CLUTCH SHOE	2			Y05875	
063-1		168563-3	CLUTCH SHOE	2	O	Y05875	A3643	
063-2		125757-3	CLUTCH ASSEMBLY	1	S	A3643		
	C10	AN04002000	CLUTCH SHOE	2		A3643		
	D10		INC. 64			A3643		
064		5318003020	CLUTCH SPRING	1			Y06152	
064-1		231863-5	TENSION SPRING 9	1	O	Y06152	A3643	
064-2		AN02010000	TENSION SPRING 9	1	S	A3643	Y07092	
064-3		AN02010C00	TENSION SPRING 9	1	O	Y07092		
065		0130069940	BOLT ASSEMBLY M6X16(W,SW)	1			Y06152	
065-1		265577-4	HEX HEAD BOLT M6X16	1	O	Y06152		
066		5937001021	FLYWHEEL	1			Y06152	
066-1		318611-0	FLYWHEEL	1	O	Y06152	A7729	
066-2		319035-3	FLYWHEEL	1	O	A7729		
067		5927012011	IGNITION COIL	1			Y06152	
067-1		168501-5	IGNITION COIL	1	O	Y06152	A7729	
067-2		168816-0	IGNITION COIL	1	S	A7729		
068		0043704200	SCREW ASS'Y M4X20	2				
069		0654009931	PLUG CAP SPRING	1			Y06152	
069-1		324891-8	PLUG CAP SPRING	1	O	Y06152		
070		5927500100	PLUG CAP	1			Y06152	
070-1		424105-6	PLUG CAP	1	O	Y06152		
071		5927003000	WIRE COMPLETE	1			Y06152	
071-1		638664-6	LEAD UNIT	1	O	Y06152	A7729	
071-2		632E38-3	LEAD UNIT	1	S	A7729		
072		5257018001	WIRE COMPLETE	1			Y06152	
072-1		638665-4	LEAD UNIT	1	O	Y06152	A7729	
072-2		632E39-1	LEAD UNIT	1	S	A7729		
073		5257500300	GROMMET	1			Y06152	
073-1		424313-9	GROMMET	1	O	Y06152		
074		0566059980	CLAMP	1			Y06152	
074-1		345963-6	CLAMP	1	O	Y06152		
075		5929505200	LABEL,TRADE MARK	1			Y05467	
076		5935500500	PLUG COVER	1			Y06152	
076-1		451876-2	PLUG COVER	1	O	Y06152		
077		0140059921	SCREW M5X8	1			Y06152	
077-1		266572-7	+ TRUSS HEAD SCREW M5X8	1	O	Y06152		
078		5929505400	LABEL	1				
079		0140059370	SCREW ASS'Y M5X12	3			Y06152	
079-1		266808-4	P.H.SCREW M5X12 WITH WR	3	O	Y06152		
080		5935500800	CYLINDER COVER	1			Y05467	
080-1		5935500801	CYLINDER COVER	1	O	Y05467	Y05615	
080-2		5935500802	CYLINDER COVER	1	O	Y05615	Y06152	
080-3		451875-4	CYLINDER COVER	1	O	Y06152		
081		0119059520	SOCKET HEAD BOLT M5X40	2			Y06152	
081-1		266440-4	HEX SOCKET HEAD BOLT M5X40	2	O	Y06152		
082		0140059962	SCREW M5X5	1				
083		5923503400	MUFFLER COVER	1			Y06152	
083-1		345915-7	MUFFLER COVER	1	O	Y06152		
084		5923001000	EXHAUST MUFFLER	1			Y06152	
084-1		168469-5	EXHAUST MUFFLER	1	O	Y06152		
085		5923501601	MUFFLER GASKET	1			Y05986	
085-1		345916-5	MUFFLER GASKET	1	O	Y05986		
086		5923008011	SPARK ARRESTER	1			Y06152	
086-1		324980-9	SPARK ARRESTER	1	O	Y06152		
087		0043605160	SCREW ASS'Y M5X16 (W,SW)	4			Y06152	
087-1		266494-1	+ PAN HEAD SCREW M5X16	4	O	Y06152		
088		5931004000	ROCKER COVER COMPLETE	1			Y06152	
088-1		140419-2	ROCKER COVER COMPLETE	1	O	Y06152		
089		5931500800	ROCKER COVER GASKET	1			Y06152	
089-1		162307-3	ROCKER COVER GASKET	1	O	Y06152		
090		0650109950	SPARK PLUG CMR6A	1			Y06073	
090-1		168401-9	SPARK PLUG	1	O	Y06073		
091		5921500700	CAMGEAR COVER GASKET	1			Y06152	

Interchange  
O : Yes  
X : No  
< : the new part can be substituted for the current.  
> : the current part can be substituted for the new.  
S : Interchangeable as a set.

<b>VN</b>	<b>VIETNAM</b>
-----------	----------------

### EBH340U / BRUSH CUTTER

Item	Sub	Parts No.	Parts Description	Qty	I/C	E/C No.	Close No.	Remark
091-1		162274-2	CAM GEAR COVER GASKET	1	O	Y06152		
092		5921500502	CAMGEAR COVER	1			Y06152	
092-1		318443-5	CAM GEAR COVER	1	O	Y06152		
093		0043605140	SCREW ASS'Y M5X14	3				
094		5926500600	OIL GAUGE	1			Y06152	
094-1		450565-6	OIL GAUGE	1	O	Y06152		
095		0213169990	GASKET	1			Y06152	
095-1		424100-6	GASKET	1	O	Y06152		
096		0561059970	HOSE CLAMP	1			Y06152	
096-1		282020-8	HOSE CLAMP	1	O	Y06152		
097		5926500200	OIL TUBE	1			Y06152	
097-1		424202-8	OIL TUBE	1	O	Y06152		
098		5926500300	OIL WEIGHT	1			Y06152	
098-1		325666-8	OIL WEIGHT	1	O	Y06152		
099		5936500100	CASE GASKET	1			Y06152	
099-1		162308-1	CASE GASKET	1	O	Y06152		
100		5936500000	OIL CASE	1			Y06152	
100-1		318612-8	OIL CASE	1	O	Y06152		
101		0043605180	SCREW ASS'Y M5X18	4				
102		0119059860	SOCKET HEAD BOLT M5X33	4			Y06152	
102-1		266573-5	HEX. SOCKET HEAD BOLT M5X33	4	O	Y06152		
103		0119059470	SOCKET HEAD BOLT M5X16	4			90299	
103-1		922222-1	HEX. SOCKET HEAD BOLT M5X16	4	O	90299		
104		0119049960	SOCKET HEAD BOLT M4X10	1			Y06152	
104-1		266810-7	H.S.H.BOLT M4X10	1	O	Y06152		
105		5921501100	RETAINER PLATE	1			Y06152	
105-1		318440-1	RETAINER PLATE	1	O	Y06152		
106		5921501000	REED VALVE	1			Y06152	
106-1		346083-9	LEAD VALVE	1	O	Y06152		
107		5921501800	CHECK VALVE	2			Y06152	
107-1		424201-0	CHECK VALVE	2	O	Y06152		
108		5931021000	CYLINDER BLOCK SET	1			Y05939	
108-1		125755-7	CYLINDER BLOCK ASSEMBLY	1	O	Y05939	Y07473	
108-2		123992-7	CYLINDER BLOCK ASSEMBLY	1	<	Y07473		
	D10		INC. 102,103,107,114			Y07473		
109		5933002000	ROCKER ARM ASS'Y	2			Y06152	
109-1		125554-7	ROCKER ARM ASSEMBLY	2	O	Y06152		
110		5933500300	SPRING RETAINER	2			Y06152	
110-1		325912-9	SPRING RETAINER	2	O	Y06152		
111		5933500200	VALVE SPRING	2			Y06152	
111-1		234181-0	COMPRESSION SPRING 11	2	O	Y06152	Y06423	
111-2		234181-0	COMPRESSION SPRING 11	2	O	Y06423		
112		5933500100	ROCKER SHAFT	1			Y06152	
112-1		256200-2	PIN 5	1	O	Y06152		
113		5933500000	PUSH ROD	2			Y06152	
113-1		256866-8	ROD 2.5	2	O	Y06152		
114		5921501400	SPACER	2			Y06152	
114-1		424200-2	SPACER	2	O	Y06152		
115		5923500600	CAM LIFTER SHAFT	1			Y06152	
115-1		268239-3	PIN 4	1	O	Y06152		
116		5923500001	CAM LIFTER	2			Y06118	
116-1		313169-4	CAM LIFTER	2	O	Y06118		
117		5933500400	EXHAUST VALVE	1			Y06152	
117-1		325913-7	EXHAUST VALVE	1	O	Y06152		
118		5933500500	INTAKE VALVE	1			Y06152	
118-1		325914-5	INTAKE VALVE	1	O	Y06152		
119		5933003000	CAM GEAR ASS'Y	1			Y06152	
119-1		125552-1	CAM GEAR ASSEMBLY	1	O	Y06152		
120		5923500501	CAM GEAR SHAFT	1			Y06152	
120-1		268238-5	PIN 5	1	O	Y06152		
121		5932004000	PISTON RING SET	1			Y06172	
121-1		195141-6	PISTON RING SET	1	O	Y06172		
122		5932500400	PISTON	1			Y06152	
122-1		318613-6	PISTON	1	O	Y06152	A9068	
122-2		197454-1	PISTON SET	1	<	A9068		

Interchange  
O : Yes  
X : No  
< : the new part can be substituted for the current.  
> : the current part can be substituted for the new.  
S : Interchangeable as a set.



<b>VN</b>	<b>VIETNAM</b>
-----------	----------------

### EBH340U / BRUSH CUTTER

Item	Sub	Parts No.	Parts Description	Qty	I/C	E/C No.	Close No.	Remark
	C10	318613-6	PISTON	1		A9068		
	D10		INC. 121,124			A9068		
123		5932500900	PISTON PIN	1			Y06152	
123-1		257796-6	PISTON PIN	1	O	Y06152		
124		0565099990	CLIP	2			Y06152	
124-1		233983-1	CLIP	2	O	Y06152		
125		0323039990	WOODRUFF KEY	1			Y06152	
125-1		254040-2	WOODRUFF KEY 3	1	O	Y06152		
126		0440129950	OIL SEAL (L)	1			Y06152	
126-1		213537-0	OIL SEAL 12	1	O	Y06152		
127		5932501000	CLIP	1			Y06152	
127-1		267425-3	FLAT WASHER 26	1	O	Y06152		
128		5932003000	CRANK SHAFT COMPLETE	1			Y06152	
128-1		125756-5	CRANKSHAFT ASSEMBLY	1	O	Y06152	Y06245	
128-2		125756-5	CRANKSHAFT ASSEMBLY	1	O	Y06245		
129		0440109970	OIL SEAL (S)	1			Y06152	
129-1		213148-1	OIL SEAL 10	1	O	Y06152	B2951	
129-2		213769-9	OIL SEAL 10	1	<	B2951		
130		5926017000	FUEL TANK CAP ASSY	1			Y06152	
	D10		INC. 131,132				Y06152	
130-1		125472-9	FUEL TANK CAP ASSEMBLY	1	O	Y06152	C4429	
	D10		INC. 131,132			Y06152	C4429	
130-2		127108-6	FUEL TANK CAP ASSEMBLY	1	O	C4429		
	D10		INC. 131,132			C4429		
131		5926016000	CAP,FUEL TANK ASSY	1			Y06152	
131-1		140435-4	FUEL TANK CAP	1	O	Y06152	C4429	
131-2		127109-4	FUEL TANK CAP ASSEMBLY	1	O	C4429		
132		5256067000	STRAP	1			Y06152	
132-1		140436-2	STRAP COMPLETE	1	O	Y06152		
133		6249501501	STRAP	1			C0263	
133-1		810455-9	CAUTION PLATE	1	<	C0263		
134		5196500302	DAMPER	1			Y06152	
134-1		424104-8	DAMPER	1	O	Y06152		
135		5936500200	FUEL TANK	1			Y06152	
135-1		451877-0	FUEL TANK	1	O	Y06152		
136		5236503900	FILTER	1			Y06152	
136-1		163447-0	FUEL FILTER	1	O	Y06152	B3537	
136-2		163447-0	FUEL FILTER	1	O	B3537		
137		0561059990	HOSE CLAMP	1			Y06152	
137-1		345920-4	HOSE CLAMP	1	O	Y06152		
138		5036500300	PLATE	1			Y06152	
138-1		424103-0	PLATE	1	O	Y06152		
139		5036500200	PLATE	1			Y06152	
139-1		424102-2	PLATE	1	O	Y06152		
140		5936003000	TUBE	1			Y06152	
140-1		162309-9	TUBE	1	O	Y06152		
141		5935002000	COVER STARTER AY	1			Y06152	
	D10		INC. 142-148				Y06152	
141-1		195142-4	RECOIL STARTER SET	1	O	Y06152		
	D10		INC. 142-148			Y06152		
142		5315023000	PULLEY	1			Y06152	
142-1		165606-2	PULLEY	1	O	Y06152	B7151	
142-2		168827-5	PULLEY	1	O	B7151		
143		5425003010	SET SCREW	1			Y06152	
143-1		266580-8	TAPPING SCREW 5X10	1	O	Y06152		
144		5315022020	REEL	1			Y06152	
144-1		451923-9	REEL	1	O	Y06152		
145		5025001020	SPIRAL SPRING	1			Y06152	
145-1		232257-7	SPIRAL SPRING	1	O	Y06152		
146		5315001030	STOPPER	1			Y06152	
146-1		424360-0	ROPE STOPPER	1	O	Y06152		
147		5215002110	STARTER KNOB	1			Y06152	
147-1		424317-1	STARTER KNOB	1	O	Y06152		
148		5315022040	STARTER ROPE	1			Y06152	
148-1		444018-5	STARTER ROPE	1	O	Y06152		

Interchange  
O : Yes  
X : No  
< : the new part can be substituted for the current.  
> : the current part can be substituted for the new.  
S : Interchangeable as a set.

<b>VN</b>	<b>VIETNAM</b>
-----------	----------------

### EBH340U / BRUSH CUTTER

Item	Sub	Parts No.	Parts Description	Qty	I/C	E/C No.	Close No.	Remark
149		0140059480	SCREW ASS'Y M5X14	4			Y06152	
149-1		266809-2	P.H.SCREW M5X14 WITH WR	4	O	Y06152		
150		6349506200	MODEL LABEL	1			Y06152	
150-1		816447-6	EBH340U MODEL NO. LABEL	1	O	Y06152		
151		5933504000	PIPE, INTAKE	1			Y06152	
151-1		325915-3	INTAKE PIPE	1	O	Y06152		
152		5923504700	INSULATOR GASKET	1			Y06152	
152-1		413120-5	INSULATOR GASKET	1	O	Y06152		
153		0062610101	O RING	1			88468	
153-1		213078-6	O-RING 10	1	O	88468	A6234	
153-2		213063-9	O RING 10	1	<	A6234		
154		5933018000	INSULATOR COMPLETE	1			Y06152	
154-1		451874-6	INSULATOR	1	O	Y06152		
155		0149069961	SCREW CABLE ADJ	1			Y06152	
155-1		325663-4	ADJUST SCREW	1	O	Y06152		
156		5933500600	CARBURETOR INSULATOR	1			88954	
156-1		59335006K0	CARBURETOR INSULATOR	1	O	88954	89383	
156-2		346261-1	CARBURETOR INSULATOR	1	O	89383		
157		0119059870	SOCKET HEAD BOLT M5X18	2			Y06152	
157-1		266787-6	H.S.H.BOLT M5X18 WITH WR	2	O	Y06152		
158		5923501900	CARBURETOR GASKET	1			Y06152	
158-1		413138-6	CARBURETOR GASKET	1	O	Y06152		
159		5926501300	CLAMP	1			Y06152	
159-1		450562-2	CLAMP	1	O	Y06152		
160		0119059780	SOCKET HEAD BOLT M5X12	1			Y06584	
160-1		922213-2	H.S.H.BOLT M5X12 WITH WR	1	O	Y06584		
161		5936004000	CARBURETOR	1			Y06152	
	D10		INC. 162-177				Y06152	
161-1		168561-7	CARBURETOR	1	O	Y06152	C4466	
	D10		INC. 162-177			Y06152	C4466	
161-2		168561-7	CARBURETOR	1	<	C4466		
	D10		INC. 162-177			C4466		
162		5236018040	SWIVEL	1			Y06152	
162-1		325922-6	SWIVEL	1	O	Y06152		
163		5426005030	WASHER	1			Y06152	
163-1		413140-9	WASHER	1	O	Y06152		
164		5316005120	RING	1			Y06152	
164-1		257964-1	STOP RING E-3	1	O	Y06152		
165		5206008030	PAN HEAD SCREW	2			Y06152	
165-1		266581-6	PAN HEAD SCREW M3X8 WITH W	2	O	Y06152	Y06995	
165-2		WJ00096364	SCREW M3X8 WITH WASHER	2	O	Y06995		
166		5246001010	O RING	1			Y06152	
166-1		213538-8	O RING 2	1	O	Y06152		
167		5936002010	JET	1			Y06152	
167-1		325921-8	JET	1	O	Y06152	C4466	
167-2		5926007011	JET #36.5	1	<	C4466		
168		5926002020	PUMP SPRING	1			Y06152	
168-1		234183-6	CONICAL COMPRESSION SPRING 5-9	1	O	Y06152		
169		5926002040	PUMP GASKET	1			Y06152	
169-1		442155-9	PUMP GASKET	1	O	Y06152		
170		5246001040	PUMP DIAPHRAGM	1			Y06152	
170-1		168575-6	PUMP DIAPHRAGM	1	O	Y06152	Y07366	
170-2		WJ00009599	PUMP DIAPHRAGM	1	O	Y07366		
171		5236046010	PUMP COVER SCREW	4			Y06152	
171-1		266582-4	TAPPING SCREW 3X24	4	O	Y06152		
172		5236046050	PRIMER PUMP COVER	1			Y06152	
172-1		346270-0	PRIMER PUMP COVER	1	O	Y06152		
173		5246001150	PRIMER PUMP	1			Y06152	
173-1		424314-7	PRIMER PUMP	1	O	Y06152		
174		5236046140	AIR PURGE BODY ASS'Y	1			Y06152	
174-1		140438-8	AIR PURGE BODY	1	O	Y06152		
175		5926008010	METERING DIAPHRAGM ASS'Y	1			Y06152	
175-1		168574-8	METERING DIAPHRAGM	1	O	Y06152	Y07577	
175-2		WJ000963279	SCREW	1	O	Y07577	Y07595	
175-3		WJ00095586	DIAPHRAGM ASS'Y	1	X	Y07595	C4466	

Interchange  
O : Yes  
X : No  
< : the new part can be substituted for the current.  
> : the current part can be substituted for the new.  
S : Interchangeable as a set.

<b>VN</b>	<b>VIETNAM</b>
-----------	----------------

### EBH340U / BRUSH CUTTER

Item	Sub	Parts No.	Parts Description	Qty	I/C	E/C No.	Close No.	Remark
175-4		168620-7	METERING DIAPHRAGM	1	<	C4466		
176		5236046040	METERING DIAPHRAGM GASKET	1			Y06152	
176-1		442154-1	METERING DIAPHRAGM GASKET	1	O	Y06152		
177		5926002140	PUMP BODY ASS'Y	1			Y06152	
	D10		INC. 178				Y06152	
177-1		140437-0	PUMP BODY	1	O	Y06152		
	D10		INC. 178			Y06152		
178		5016004010	INLET SCREEN	1			Y06152	
178-1		352010-6	INLET SCREEN	1	O	Y06152	Y07179	
178-2		WJ00014070	INLET SCREEN	1	O	Y07179		
179		0561080010	HOSE CLAMP	1			Y06152	
179-1		345918-1	HOSE CLAMP	1	O	Y06152		
180		5931500900	BREATHER PIPE	1			Y06152	
180-1		422055-9	BREATHER PIPE	1	O	Y06152		
181		5923503001	PIPE	1			Y06152	
181-1		422042-8	PIPE	1	O	Y06152		
182		5933001000	CLEANER PLATE ASS'Y	1			Y06152	
	D10		INC. 183-190				Y06152	
182-1		125468-0	CLEANER PLATE ASSEMBLY	1	O	Y06152		
	D10		INC. 183-190			Y06152		
183		5923502200	CHOKE LEVER	1			Y06152	
183-1		451925-5	CHOKE LEVER	1	O	Y06152		
184		0240159990	O RING P15	1			Y06152	
184-1		213540-1	O RING 15	1	O	Y06152		
185		5923502400	CHECK VALVE (1)	1			Y06172	
185-1		424316-3	CHECK VALVE	1	O	Y06172		
186		0240139970	O RING P14	1			Y06152	
186-1		213539-6	O RING 14	1	O	Y06152		
187		5923502500	CHECK VALVE PLATE	1			Y06152	
187-1		451924-7	CHECK VALVE PLATE	1	O	Y06152		
188		5316500701	CHECK VALVE	1			Y06152	
188-1		424315-5	CHECK VALVE	1	O	Y06152		
189		5923503500	GASKET SEPARATOR	1			Y06152	
189-1		168577-2	SEPARATOR GASKET	1	O	Y06152		
190		5933501600	SEPARATOR PLATE	1			Y06152	
190-1		168576-4	SEPARATOR PLATE	1	O	Y06152		
191		5923502301	CHOKE PLATE	1			Y06152	
191-1		450560-6	CHOKE PLATE	1	O	Y06152		
192		0213069990	GASKET	1			Y06152	
192-1		423376-2	GASKET	1	O	Y06152		
193		5923502600	PLATE	1			Y06152	
193-1		345919-9	PLATE	1	O	Y06152		
194		5923503100	SCREW M5X68 (W,SW SUS)	2			Y06152	
194-1		265188-5	+PAN HEAD SCREW M5X68	2	O	Y06152		
195		5933500900	AIR CLEANER ELEMENT	1			Y06152	
195-1		443140-5	AIR CLEANER ELEMENT	1	O	Y06152		
196		5933501200	AIR CLEANER ELEMENT	1			Y06152	
196-1		443141-3	AIR CLEANER ELEMENT	1	O	Y06152		
197		5933500800	AIR CLEANER COVER	1			Y06152	
197-1		450561-4	AIR CLEANER COVER	1	O	Y06152		
198		0140059480	SCREW ASS'Y M5X14	1			Y06152	
198-1		266809-2	P.H.SCREW M5X14 WITH WR	1	O	Y06152		
199		0200109870	WAVE WASHER	2		Y05403	Y06152	
199-1		267832-0	WAVE WASHER 10	2	O	Y06152		
206		814L23-2	SERIAL NO. LABEL	1		98652	99178	
206-1		814E64-6	SERIAL NO. LABEL	1	<	99178		
A01		6349007000	TOOL	1			Y06152	
A01-1		194904-7	TOOL SET	1	O	Y06152		
A02		0717059990	HEX. WRENCH	1			Y06152	
A02-1		783232-1	HEX. WRENCH 5	1	O	Y06152		
A03		0717049990	HEX. WRENCH	1			Y06152	
A03-1		783223-2	HEX. WRENCH 4	1	O	Y06152		
A04		6347006000	BAND	1			Y06910	
A04-1		125761-2	BAND ASSEMBLY	1	O	Y06910		
A05		6349506300	INSTRUCTION MANUAL	1				

Interchange  
O : Yes  
X : No  
< : the new part can be substituted for the current.  
> : the current part can be substituted for the new.  
S : Interchangeable as a set.

