



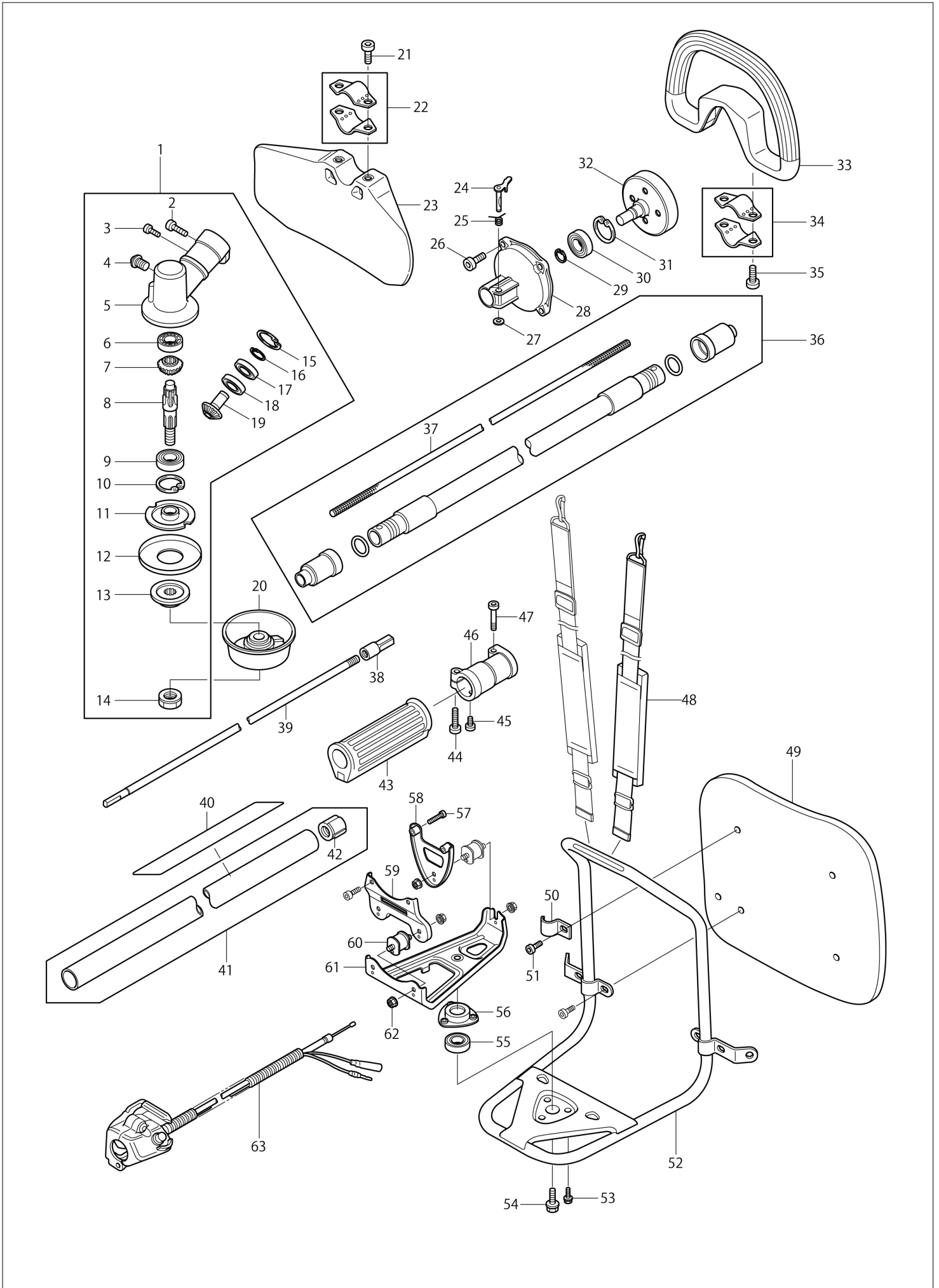
VN	VIETNAM
----	---------

Diagram / Parts List

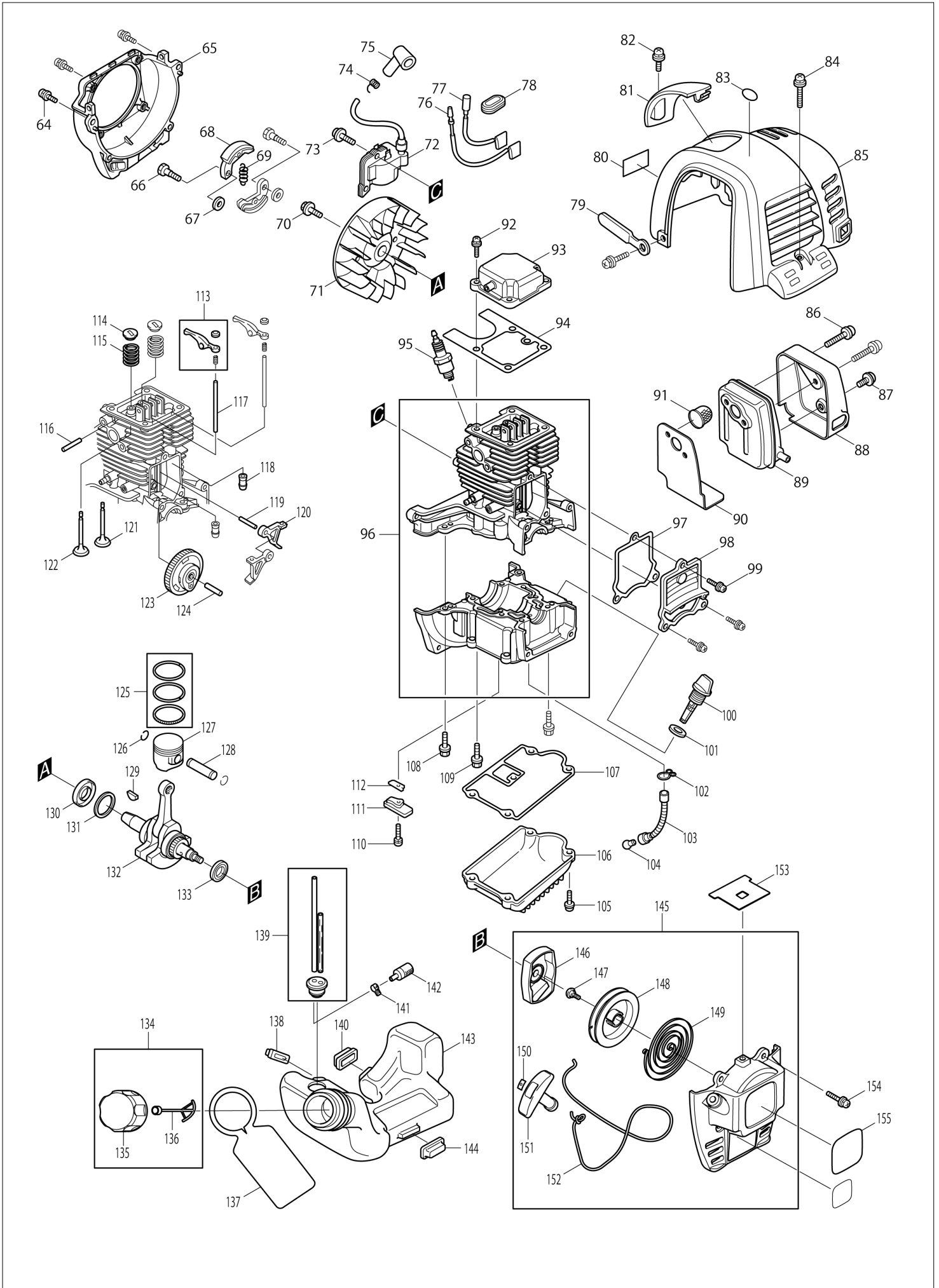
EBH340R
BRUSH CUTTER



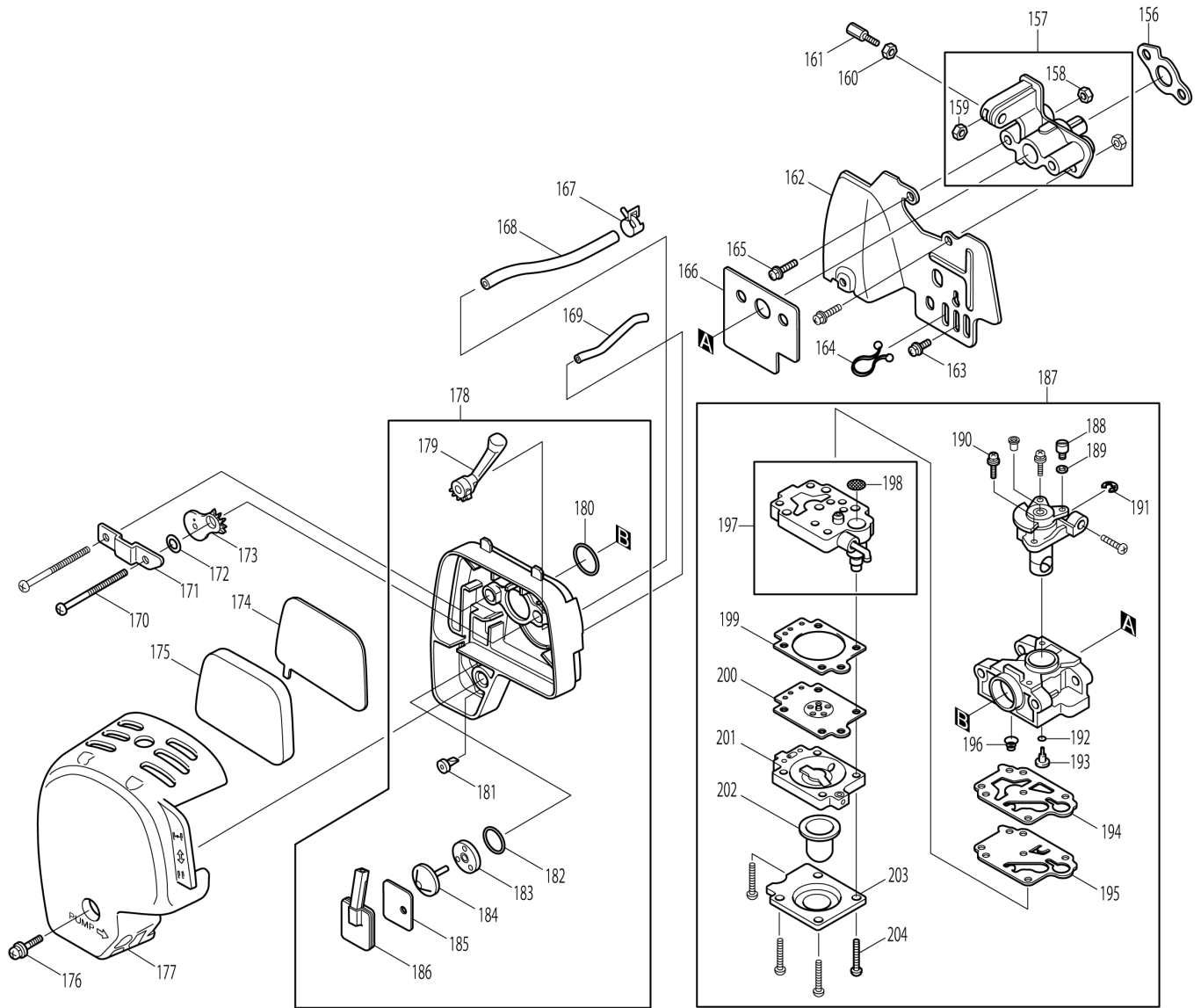
(VN) EBH340R / BRUSH CUTTER



(VN) EBH340R / BRUSH CUTTER



(VN) EBH340R / BRUSH CUTTER



VN	VIETNAM
-----------	----------------

EBH340R / BRUSH CUTTER

Item	Sub	Parts No.	Parts Description	Qty	I/C	E/C No.	Close No.	Remark
001		XNR0000334	GEAR CASE ASSY	1			Y06845	
	D10		INC. 2-19				Y06845	
001-1		XNR0000489	GEAR CASE ASSY	1	<	Y06845		
	C10	XNR0000493	ANTI-DROP BOLT	1	S	Y06845		
	D10		INC. 2-19			Y06845		
002-1		XNR0000113	TORX SCREW M6X18	1				
003-1		XNR0000094	TORX BOLT M5X10	1				
004-1		XNR0000217	BOLT	1			Y06845	
004-2		XNR0000495	BOLT	1	S	Y06845		
005-1		XNR0000155	GEAR CASE	1			Y06845	
005-2		XNR0000490	GEAR CASE	1	S	Y06845		
006-1		XNR0000045	BALL BEARING 6000	1				
007-1		XNR0000260	GEAR	1			Y06845	
007-2		XNR0000491	GEAR	1	S	Y06845		
008-1		XNR0000330	GEAR SHAFT	1			Y06845	
008-2		XNR0000492	GEAR SHAFT	1	S	Y06845		
009-1		XNR0000053	BALL BEARING 6001LL	1				
010-1		XNR0000073	SNAP RING R-28	1				
011-1		XNR0000158	BLADE HOLDER	1			Y06845	
011-2		XNR0000494	BLADE HOLDER CP	1	S	Y06845		
012-1		XNR0000473	GRASS COVER(B)	1			Y06845	
013-1		XNR0000375	BLADE CAP	1				
014-1		XNR0000329	NUT M10X1.25	1				
015-1		XNR0000072	SNAP RING R-26	1				
016-1		XNR0000066	SNAP RING S-10	1				
017-1		XNR0000048	BALL BEARING #6000Z	1				
018-1		XNR0000045	BALL BEARING 6000	1				
019-1		XNR0000262	PINION	1				
020-1		XNR0000332	NUT COVER	1			Y07541	
020-2		XNR0000514	NUT COVER	1	O	Y07541		
021-1		XNR0000113	TORX SCREW M6X18	2				
022-1		XNR0000338	FLEXIBLE SHAFT/LINER ASSY	2			Y07702	
022-2		XNR0000388	GUARD STAY	2	X	Y07702		
023-1		XNR0000302	GUARD	1				
024-1		XNR0000296	JOINT PIN COMPLETE	1				
025-1		XNR0000297	PIN SPRING	1				
026-1		XNR0000113	TORX SCREW M6X18	4				
027-1		XNR0000065	SNAP RING E-5	1				
028-1		XNR0000182	CLUTCH HOUSING	1				
029-1		XNR0000070	SNAP RING S-15	1				
030-1		XNR0000058	BALL BEARING #6202ZZ	1				
031-1		XNR0000075	SNAP RING R-35	1				
032-1		XNR0000183	CLUTCH DRUM	1				
033-1		XNR0000196	LOOP HANDLE	1				
034-1		XNR0000388	GUARD STAY	2				
035-1		XNR0000109	TORX BOLT M6X12	2				
036-1		XNR0000321	FLEXIBLE SHAFT/LINER ASSY	1				
	D10		INC. 37					
037		XNR0000309	FLEXIBLE SHAFT	1				
038-1		XNR0000168	SHAFT JOINT	1				
039-1		XNR0000167	DRIVE SHAFT	1				
040-1		6119522601	LABEL, CAUTION	1				
041-1		XNR0000179	MAIN PIPE COMPLETE	1				
	D10		INC. 42					
042-1		XNR0000253	BUSHING METAL COMPLETE	8				
043-1		XNR0000174	GRIP	1			Y07402	
043-2		XNR0000513	GRIP	1	O	Y07402		
044-1		XNR0000098	TORX SCREW M5X20	1				
045-1		XNR0000092	TORX SMALL HEAD M5X8	1				
046-1		XNR0000165	CASE JOINT	1				
047		XNR0000103	SCREW M5X30	1				
048-1		XNR0000177	BAND COMPLETE	1				
049-1		XNR0000198	PAD	1				
050-1		XNR0000178	PLATE(A)	2				
051		XNR0000120	FLANGE BOLT M5X12	6				

Interchange
O : Yes
X : No
< : the new part can be substituted for the current.
> : the current part can be substituted for the new.
S : Interchangeable as a set.

VN	VIETNAM
-----------	----------------

EBH340R / BRUSH CUTTER

Item	Sub	Parts No.	Parts Description	Qty	I/C	E/C No.	Close No.	Remark
052		XNR0000176		1			Y07693	
052-1		XNR0000540	FRAME ASSY	1	O	Y07693		
053-1		XNR0000122	BOLT(3)M5X12	3				
054-1		XNR0000016	BOLT(3)M8X20	1				
055-1		XNR0000056	BALL BEARING #6201ZZ	1				
056-1		XNR0000293	BEARING COVER	1				
057		XNR0000100	BOLT M5X25	2				
058-1		XNR0000201	RECOIL STAY	1				
059-1		XNR0000200	HOUSING STAY	1				
060-1		XNR0000234	AV RUBBER	3				
061-1		XNR0000302	GUARD	1				
062-1		XNR0000029	NUT M6	6				
063-1		XNR0000132	THROTTLE LEVER AY	1				
064-1		266813-1	H.S.H.BOLT M5X16 WITH WR	4				
065-1		318614-4	BLOWER HOUSING	1				
066-2		266571-9	SHOULDER HEX. BOLT M8X23	2				
067-1		267424-5	FLAT WASHER 8	2				
068-1		168563-3	CLUTCH SHOE	2			A3643	
068-2		125757-3	CLUTCH ASSEMBLY	1	S	A3643		
	C10	AN04002000	CLUTCH SHOE	2		A3643		
	D10		INC. 69			A3643		
069-1		231863-5	TENSION SPRING 9	1			A3643	
069-2		AN02010000	TENSION SPRING 9	1	S	A3643	Y07092	
069-3		AN02010C00	TENSION SPRING 9	1	O	Y07092		
070-1		265577-4	HEX HEAD BOLT M6X16	1				
071-1		318611-0	FLYWHEEL	1			B0128	
071-2		319035-3	FLYWHEEL	1	O	B0128		
072-1		168501-5	IGNITION COIL	1			B0128	
072-2		168816-0	IGNITION COIL	1	S	B0128		
073		0119049970	SOCKET HEAD BOLT M4X20	2				
074-1		324891-8	PLUG CAP SPRING	1				
075-1		424105-6	PLUG CAP	1				
076-1		638664-6	LEAD UNIT	1			B0128	
076-2		632E38-3	LEAD UNIT	1	S	B0128		
077-1		638665-4	LEAD UNIT	1			B0128	
077-2		632E39-1	LEAD UNIT	1	S	B0128		
078-1		424313-9	GROMMET	1				
079-1		345963-6	CLAMP	1				
081-2		455001-7	PLUG COVER	1				
082-1		266572-7	+ TRUSS HEAD SCREW M5X8	1				
083		5929505400	LABEL	1				
084-1		266808-4	P.H.SCREW M5X12 WITH WR	3				
085-3		451875-4	CYLINDER COVER	1				
086-1		266440-4	HEX SOCKET HEAD BOLT M5X40	2				
087		0140059962	SCREW M5X5	1				
088-1		345915-7	MUFFLER COVER	1				
089-1		168469-5	EXHAUST MUFFLER	1				
090-1		345916-5	MUFFLER GASKET	1				
091-1		324980-9	SPARK ARRESTER	1				
092-1		266811-5	H.S.H.BOLT M5X14	4				
093-1		140419-2	ROCKER COVER COMPLETE	1				
094-1		162307-3	ROCKER COVER GASKET	1				
095-1		168401-9	SPARK PLUG	1				
096-2		125755-7	CYLINDER BLOCK ASSEMBLY	1				
	D10		INC. 108,109,118					
097-1		162274-2	CAM GEAR COVER GASKET	1				
098-1		318443-5	CAM GEAR COVER	1				
099		0119059370	SOCKET HEAD BOLT M5X12	3				
100-1		450565-6	OIL GAUGE	1				
101-1		424100-6	GASKET	1				
102-1		282020-8	HOSE CLAMP	1				
103-1		424202-8	OIL TUBE	1				
104-1		325666-8	OIL WEIGHT	1				
105		266811-5	H.S.H.BOLT M5X14	4				
106-1		318612-8	OIL CASE	1				

Interchange
O : Yes
X : No
< : the new part can be substituted for the current.
> : the current part can be substituted for the new.
S : Interchangeable as a set.

VN	VIETNAM
-----------	----------------

EBH340R / BRUSH CUTTER

Item	Sub	Parts No.	Parts Description	Qty	I/C	E/C No.	Close No.	Remark
107-1		162308-1	CASE GASKET	1				
108-2		266812-3	H.S.H.BOLT M5X16	4				
109-2		266573-5	HEX. SOCKET HEAD BOLT M5X33	4				
110-1		266810-7	H.S.H.BOLT M4X10	1				
111-1		318440-1	RETAINER PLATE	1				
112-1		346083-9	LEAD VALVE	1				
113-1		125554-7	ROCKER ARM ASSEMBLY	2				
114-1		325912-9	SPRING RETAINER	2				
115-2		234181-0	COMPRESSION SPRING 11	2				
116-1		256200-2	PIN 5	1				
117-1		256866-8	ROD 2.5	2				
118-2		424200-2	SPACER	2				
119-1		268239-3	PIN 4	1				
120-1		313169-4	CAM LIFTER	2				
121-1		325913-7	EXHAUST VALVE	1				
122-1		325914-5	INTAKE VALVE	1				
123-1		125552-1	CAM GEAR ASSEMBLY	1				
124-1		268238-5	PIN 5	1				
125-1		195141-6	PISTON RING SET	1				
126-1		233983-1	CLIP	2				
127-1		318613-6	PISTON	1				
128-1		257796-6	PISTON PIN	1				
129-1		254040-2	WOODRUFF KEY 3	1				
130-1		213537-0	OIL SEAL 12	1				
131-1		267425-3	FLAT WASHER 26	1				
132-2		5932003001	CRANKSHAFT COMPLETE	1			A5075	
132-3		125756-5	CRANKSHAFT ASSEMBLY	1	O	A5075		
133-2		213769-9	OIL SEAL 10	1				
134-1		125472-9	FUEL TANK CAP ASSEMBLY	1			C4429	
	D10		INC. 135,136				C4429	
134-2		127108-6	FUEL TANK CAP ASSEMBLY	1	O	C4429		
	D10		INC. 135,136			C4429		
135-1		140435-4	FUEL TANK CAP	1			C4429	
135-2		127109-4	FUEL TANK CAP ASSEMBLY	1	O	C4429		
136-1		140436-2	STRAP COMPLETE	1				
137		6249501501	STRAP	1			C0263	
137-1		810455-9	CAUTION PLATE	1	<	C0263		
138-1		424102-2	PLATE	1				
139-1		162309-9	TUBE	1				
140-1		424103-0	PLATE	1				
141-1		345920-4	HOSE CLAMP	1				
142-1		163447-0	FUEL FILTER	1			B3537	
142-2		163447-0	FUEL FILTER	1	O	B3537		
143-1		451877-0	FUEL TANK	1				
144-1		424104-8	DAMPER	1				
145-1		125763-8	RECOIL STARTER ASSEMBLY	1				
	D10		INC. 147-152					
146-1		165606-2	PULLEY	1			B7151	
146-2		168827-5	PULLEY	1	O	B7151		
147-1		266580-8	TAPPING SCREW 5X10	1				
148-1		451923-9	REEL	1				
149-1		232257-7	SPIRAL SPRING	1				
150-1		424360-0	ROPE STOPPER	1				
151-1		424317-1	STARTER KNOB	1				
152-1		444018-5	STARTER ROPE	1				
153		5935502400	GASKET,STARTER	1				
154-1		266809-2	P.H.SCREW M5X14 WITH WR	4				
155		6119522500	LABEL MODEL	1				
156-2		413120-5	INSULATOR GASKET	1				
157-2		451874-6	INSULATOR	1				
161-1		325663-4	ADJUST SCREW	1				
162-1		346261-1	CARBURETOR INSULATOR	1				
163-2		922213-2	H.S.H.BOLT M5X12 WITH WR	1				
164-1		450562-2	CLAMP	1				
165-2		266787-6	H.S.H.BOLT M5X18 WITH WR	2				

Interchange
O : Yes
X : No
< : the new part can be substituted for the current.
> : the current part can be substituted for the new.
S : Interchangeable as a set.

VN	VIETNAM
-----------	----------------

EBH340R / BRUSH CUTTER

Item	Sub	Parts No.	Parts Description	Qty	I/C	E/C No.	Close No.	Remark
166-1		413138-6	CARBURETOR GASKET	1				
167-1		345918-1	HOSE CLAMP	1				
168-1		422055-9	BREATHER PIPE	1				
169-1		422042-8	PIPE	1				
170-1		265188-5	+PAN HEAD SCREW M5X68	2				
171-1		345919-9	PLATE	1				
172-1		423376-2	GASKET	1				
173-1		450560-6	CHOKE PLATE	1				
174-1		443140-5	AIR CLEANER ELEMENT	1				
175-1		443141-3	AIR CLEANER ELEMENT	1				
176-1		266809-2	P.H.SCREW M5X14 WITH WR	1				
177-1		450561-4	AIR CLEANER COVER	1				
178-1		125468-0	CLEANER PLATE ASSEMBLY	1				
	D10		INC. 179-186					
179-1		451925-5	CHOKE LEVER	1				
180-1		213540-1	O RING 15	1				
181-1		424316-3	CHECK VALVE	1				
182-1		213539-6	O RING 14	1				
183-1		451924-7	CHECK VALVE PLATE	1				
184-1		424315-5	CHECK VALVE	1				
185-1		168577-2	SEPARATOR GASKET	1				
186-1		168576-4	SEPARATOR PLATE	1				
187-1		168561-7	CARBURETOR	1			C4466	
	D10		INC. 188-197,199-204				C4466	
187-2		168561-7	CARBURETOR	1	<	C4466		
	D10		INC. 188-197,199-204			C4466		
188-1		325922-6	SWIVEL	1				
189-1		413140-9	WASHER	1				
190-1		266581-6	PAN HEAD SCREW M3X8 WITH W	2			Y06995	
190-2		WJ00096364	SCREW M3X8 WITH WASHER	2	O	Y06995		
191-1		257964-1	STOP RING E-3	1				
192-1		213538-8	O RING 2	1				
193-1		325921-8	JET	1			C4466	
193-2		5926007011	JET #36.5	1	<	C4466		
194-1		442155-9	PUMP GASKET	1				
195-1		168575-6	PUMP DIAPHRAGM	1			Y07366	
195-2		WJ00009599	PUMP DIAPHRAGM	1	O	Y07366		
196-1		234183-6	CONICAL COMPRESSION SPRING 5-9	1				
197-1		140437-0	PUMP BODY	1				
	D10		INC. 198					
198-1		352010-6	INLET SCREEN	1			Y07179	
198-2		WJ00014070	INLET SCREEN	1	O	Y07179		
199-1		442154-1	METERING DIAPHRAGM GASKET	1				
200-1		168574-8	METERING DIAPHRAGM	1			Y07577	
200-2		WJ00963279	SCREW	1	O	Y07577	Y07595	
200-3		WJ00095586	DIAPHRAGM ASS'Y	1	X	Y07595	C4466	
200-4		168620-7	METERING DIAPHRAGM	1	<	C4466		
201-1		140438-8	AIR PURGE BODY	1				
202-1		424314-7	PRIMER PUMP	1				
203-1		346270-0	PRIMER PUMP COVER	1				
204-1		266582-4	TAPPING SCREW 3X24	4				
205-1		819312-8	MAKITA LOGO LABEL	1				
206-1		325915-3	INTAKE PIPE	1				
207-1		213078-6	O-RING 10	1			A6234	
207-2		213063-9	O RING 10	1	<	A6234		
208-2		267849-3	WAVE WASHER 10	2				
209-1		850C10-3	SERIAL NO. LABEL	1				
A01-2		B-14124	STAR BLADE 255X4TX25.4	1				
A02-1		242072-1	OIL BOTTLE	1				
A03-1		450573-7	TOOL COVER	1			B2161	
A03-2		456924-2	TOOL COVER	1	O	B2161		
A04-1		XNR0000088	ALLEN WRENCH M4	1				
A05-1		XNR0000080	BOX WRENCH 13X19	1				
A06-1		XNR0000394	SPANNER 8X10	1				
A07-1		XNR0000085	PLUG SOCKET	1				

Interchange
O : Yes
X : No
< : the new part can be substituted for the current.
> : the current part can be substituted for the new.
S : Interchangeable as a set.

