



EN	Petrol Blower	ORIGINAL INSTRUCTION MANUAL	2
ID	Alat peniup bensin	PETUNJUK PENGGUNAAN ASLI	24
VI	Máy Thổi chạy xăng	TÀI LIỆU HƯỚNG DẪN GỐC	47
TH	เครื่องเป่าลม	ต้นฉบับคู่มือการใช้งาน	69

EB5300TH EB5300WH

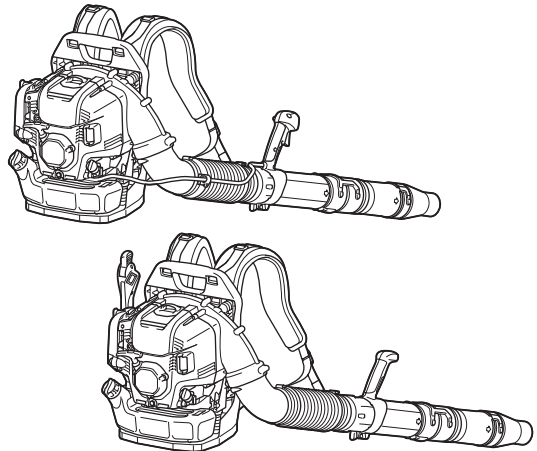


TABLE OF CONTENTS

SPECIFICATIONS	2	BEFORE STARTING THE ENGINE.....	10
IMPORTANT SAFETY INSTRUCTIONS.....	3	OPERATION.....	11
PARTS DESCRIPTION.....	7	MAINTENANCE.....	15
ASSEMBLY.....	8	TROUBLESHOOTING.....	22




SPECIFICATIONS






Model:		EB5300TH	EB5300WH
Throttle type		Tube throttle	Hip throttle
Dry weight	without blower pipe / with cushion	8.9 kg	9.1 kg
	with blower pipe	9.8 kg - 10.0 kg	10.1 kg - 10.3 kg
Dimension (without blower pipe, L x W x H)		320 mm x 450 mm x 475 mm	320 mm x 510 mm x 475 mm
Air velocity	(with long pipe, circular nozzle)	81 m/s	
	(with short pipe, circular nozzle)	82 m/s	
Air volume flow rate	(with long pipe, circular nozzle)	15 m ³ /minute	
	(with short pipe, circular nozzle)	15 m ³ /minute	
Maximum engine speed		6,400 min ⁻¹	
Idling speed		2,800 min ⁻¹	
Engine displacement		52.5 cm ³	
Engine type		Air cooled, 4-stroke, single cylinder	
Fuel		Automobile gasoline	
Fuel tank capacity		1,800 cm ³	
Engine oil		API grade SF class or higher, SAE 10W-30 oil (automobile 4-stroke engine oil)	
Engine oil volume		140 cm ³	
Carburetor		Diaphragm type	
Spark plug		NGK CMR6H	
Electrode gap		0.7 mm - 0.8 mm	










- Due to our continuing program of research and development, the specifications herein are subject to change without notice.
- Specifications may differ from country to country.
- The weight may differ depending on the attachment(s).

Symbols

The following show the symbols used for the equipment. Be sure that you understand their meaning before use.

	Take particular care and attention.
	Read the instruction manual.
	Forbidden!

	No smoking.
	No open flame.
	Wear protective gloves.
	Wear eye and ear protection.
	Hot surfaces - Burns to fingers or hands.

	Keep bystanders away.
	Keep the area of operation clear of all persons and pets.
	Fuel (gasoline)
	Engine manual start.
	Stop the engine.
	First aid
	On/Start
	Off/Stop
	Long hair may cause entanglement accident.

IMPORTANT SAFETY INSTRUCTIONS

General instructions

1. To ensure correct and safe operation, the user must read, understand and follow this instruction manual to assure familiarity with the handling of the blower. Users insufficiently informed will risk danger to themselves as well as others due to improper handling.
2. It is recommended only to lend the blower to people who have proven to be experienced with blowers.
3. Always hand over the instruction manual when lending the blower.
4. First-time users should ask the dealer for basic instructions to familiarize oneself with the handling of a blower.
5. Children and young persons aged under 18 years must not be allowed to operate the blower. Persons over the age of 16 years may however use the tool for the purpose of being trained only while under the direct supervision of a qualified trainer.
6. Use blowers with the utmost care and attention.
7. Operate the blower only if you are in good physical condition.
8. Perform all work conscientiously and carefully. The user has to accept responsibility for others.
9. Never use the blower while under the influence of alcohol or drugs.

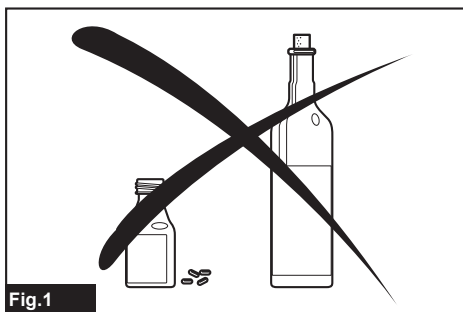


Fig.1

10. Do not use the unit when you are tired.
11. Save these instructions for future reference.
12. Observe and follow all relevant accident prevention instructions issued by the trade associations and by insurance companies. Do not perform any modifications to the blower as this will risk your safety.
13. Never make modification on the equipment. It may cause dangerous accidents or personal injury.

Personal protective equipment

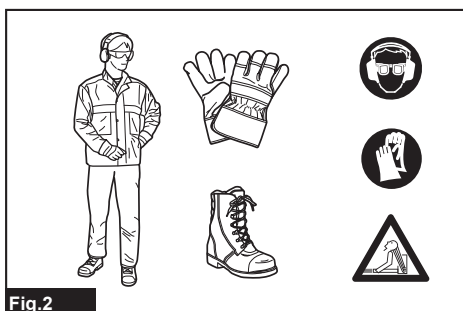


Fig.2

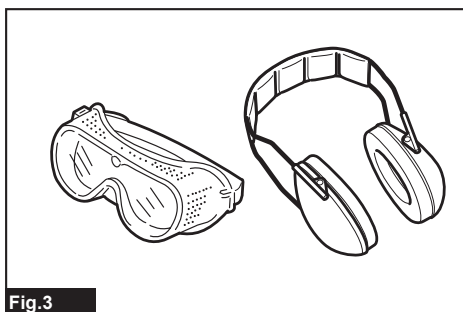


Fig.3

1. The clothing worn should be functional and appropriate, i. e., it should be tight fitting but not cause a hindrance. Do not wear jewelry, clothing or long hair which could be drawn into the air intake.

2. In order to avoid head-, eye-, hand- or foot injuries as well as to protect your hearing the following protective equipment and protective clothing must be used during operation of the blower.
 3. Clothing must be sturdy and snug-fitting, but allow complete freedom of movement. Avoid loose-fitting jackets, flared or cuffed pants, scarves, unconfined long hair or anything that could be drawn into the air intake. Wear overalls or long pants to protect your legs. Do not wear shorts.
 4. Generally, engine products are noisy and their noise may damage your hearing. Wear sound barriers (ear plugs or ear muffers) to protect your hearing. Continual and regular users should have their hearing checked regularly.
 5. Use of gloves when working with the blower is recommended. Wear sturdy shoes with non-slip soles.
 6. Proper eye protection is a must. Even though the discharge is directed away from the operator, ricochets and bounce-backs can occur during blower operation.
 7. Never operate a blower unless wearing goggles or properly fitted safety glasses with adequate top and side protection which comply with EN166 and regulations in your country.
 8. To reduce the risk of injury associated with the inhalation of dust, use face filter mask in dusty conditions.

Intended use

The tool is intended for blowing dust.

Starting up the blower

1. Make sure that there are no children or other people within a working range of 15 meters, also pay attention to any animals near by.

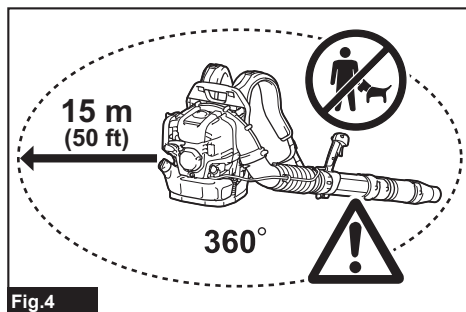


Fig.4

2. Before operating, always check that the blower is safe for operation:
 - Check the security of the throttle lever. The throttle lever should be checked for smooth and easy action.
 - Check for proper functioning of the throttle lever lock.
 - Check for clean and dry handles and test the function of the I-O switch. Keep handles free of oil and fuel.

3. Start the blower only in accordance with the instructions. Do not use any other methods for starting the engine.

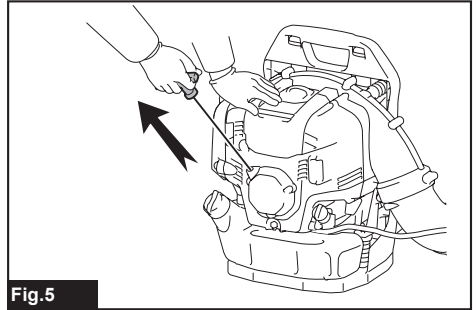
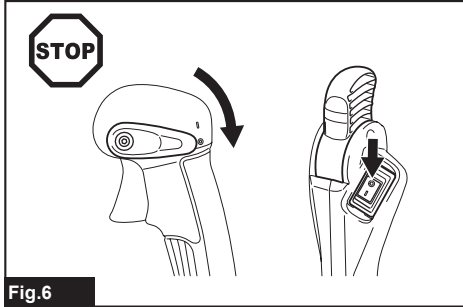


Fig.5

4. Use the blower and the tools supplied only for applications specified.
5. Start the blower engine only after the entire tool has been assembled. Operation of the tool is permitted only after all the appropriate accessories are attached.
6. The engine is to be switched off immediately if there are any engine problems.
7. When working with the blower, always wrap your fingers tightly around the handle, keeping the control handle cradled between your thumb and forefinger. Keep your hand in this position to have your machine under control at all times. Make sure your control handle is in good condition and free of moisture, pitch, oil or grease.
8. Always ensure a safe, well-balanced footing.
9. Carry the blower properly on both shoulders during operation. Do not carry the blower with only one shoulder strap. Otherwise personal injury may result.
10. Operate the blower in such a manner as to avoid inhalation of the exhaust gases. Never run the engine in enclosed rooms (risk of suffocation and gas poisoning). Carbon monoxide is an odorless gas. Always ensure there is adequate ventilation.
11. Switch off the engine when resting or leaving the blower unattended. Place it in a safe location prevent danger to others, setting fire to combustible materials, or damage to the machine.
12. Never lay the hot blower onto dry grass or onto any combustible materials.
13. All protective parts and guards supplied with the machine must be used during operation.
14. Never operate the engine with a faulty exhaust muffler.

Transport

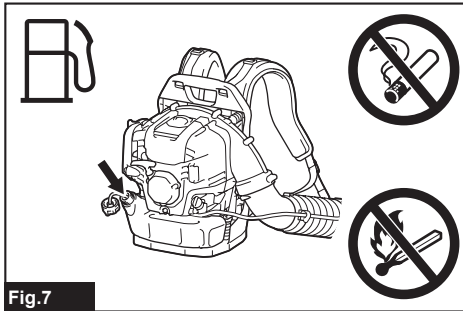
1. Shut off the engine during transport.



2. Position the blower safely during car or truck transportation to avoid fuel leakage.
3. When transporting the blower, ensure that the fuel tank is completely empty.
4. Lift the blower with holding carry handle when you carry it. Do not drag the blower by nozzle, pipe or other parts.
5. Hold the blower firmly during transportation.
6. When transport the blower, bend your knee and make sure you do not damage your shoulder and lower back.

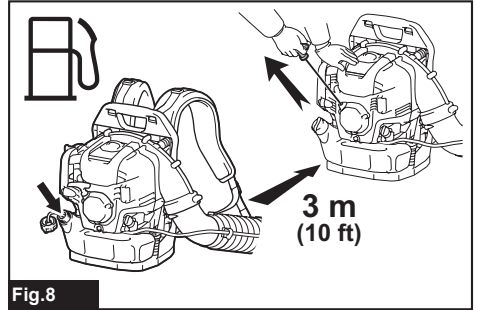
Refuelling

1. Stop the engine during refuelling, keep well away from open flame and do not smoke.



2. Avoid skin contact with petroleum products. Do not inhale fuel vapor. Always wear protective gloves during refuelling. Change and clean protective clothing at regular intervals.
3. Take care not to spill either fuel or oil in order to prevent soil contamination (environmental protection). Clean the blower immediately after fuel has been spilt. Allow wet cloths to dry before disposing in properly, covered container to prevent spontaneous combustion.
4. Avoid any fuel contact with your clothing. Change your clothing immediately if fuel has been spilled on it (fire hazard).
5. Inspect the fuel cap at regular intervals making sure that it stays securely fastened.

6. Carefully tighten the fuel cap. Change locations to start the engine (at least 3 meters (10 ft) away from the place of refuelling).



7. Never refuel in closed rooms. Fuel vapors accumulate at ground level (risk of explosions).
8. Only transport and store fuel in approved containers. Make sure stored fuel is not accessible to children.
9. Do not attempt to refuel a hot or a running engine.
10. Do not refuel more than the amount defined in "SPECIFICATIONS".

Method of operation

1. Use the blower only in good light and visibility. Beware of slippery or wet areas, ice and snow (risk of slipping), and narrow space. Always ensure a safe footing.
2. Never work on unstable surfaces or steep terrain.
3. Do not work from ladders or high places. Otherwise it may result in personal injury.
4. To reduce the risk of personal injury, do not direct air blast towards bystanders, since the high pressure of the air flow could injure eyes and could blow small objects at great speed.
5. Never insert any foreign object into the air intake of the machine or into the nozzle of the blower. It will damage the fan wheel and may cause serious injury to the operator or bystanders as a result of the object or broken parts being thrown out at high speed.
6. Pay attention to the direction of the wind, i.e., do not work against the wind.
7. To reduce the risk of stumbling and loss of control, do not walk backward while operating the machine.
8. Always stop the engine before cleaning or servicing the unit or replacing parts.
9. Take a rest to prevent loss of control caused by fatigue. We recommend to taking a 10 to 20-minute rest every hour.
10. Do not operate the machine near the windows, etc.
11. To reduce physical influence from vibration and/or damage to the ears, operate the machine at low speed if possible and limit the time of operation.

12. Operate the machine only at reasonable hours. Do not operate the blower in the morning or late at night when people might be disturbed.
13. It is recommended for using rakes and brooms to loosen debris before blowing.
14. Before blowing, slightly dampen surfaces in dusty conditions or use water mist sprayer if necessary.
15. Adjust the length of the blower nozzle so that the stream can work close to the ground.
16. To reduce sound levels, limit the number of pieces of equipment used at any one time.
17. After using blowers and other equipment, **CLEAN UP!** Dispose of debris in trash receptacles.
18. Do not accelerate the engine more than necessary. Blown object may result in personal injury.
19. The exhaust muffler becomes hot during the operation. Do not touch hot exhaust muffler, skin burn may result.
20. Do not operate the machine in explosive atmospheres, such as in the presence of flammable liquids, gases or dust. The machine creates sparks which may ignite the dust or fumes.

Maintenance instructions

1. Be kind to the environment. Operate the blower with as little noise and pollution as possible. In particular, check the correct adjustment of the carburetor.
2. Clean the blower at regular intervals and check that all screws and nuts are securely tightened.
3. Never service or store the blower in the vicinity of open flames, sparks, etc.

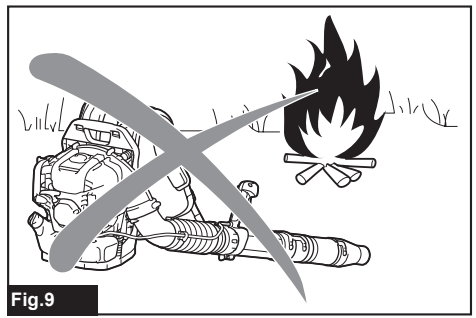


Fig.9

4. Always store the blower in a well-ventilated locked room and with the fuel tank emptied.
5. The performance of maintenance or repair work by the user is limited to those activities as described in this instruction manual. All other work is to be done by Authorized Service Agents.
6. Use only genuine spare parts and accessories supplied by Makita. Use of non-approved accessories and tools may result in accidents and injuries. Makita will not accept any liability for accidents or damage caused by the use of any non-approved attachment or accessories.
7. Incorrect repair and poor maintenance can shorten the life of the equipment and increase the risk of accidents.

First aid

1. In case of accident make sure that a well-stocked first-aid kit is available in the vicinity of the operations. Immediately replace any item taken from the first aid kit.
2. When asking for help, give the following information:
 - Place of the accident
 - What happened
 - Number of injured persons
 - Nature of the injury
 - Your name

PARTS DESCRIPTION

EB5300TH

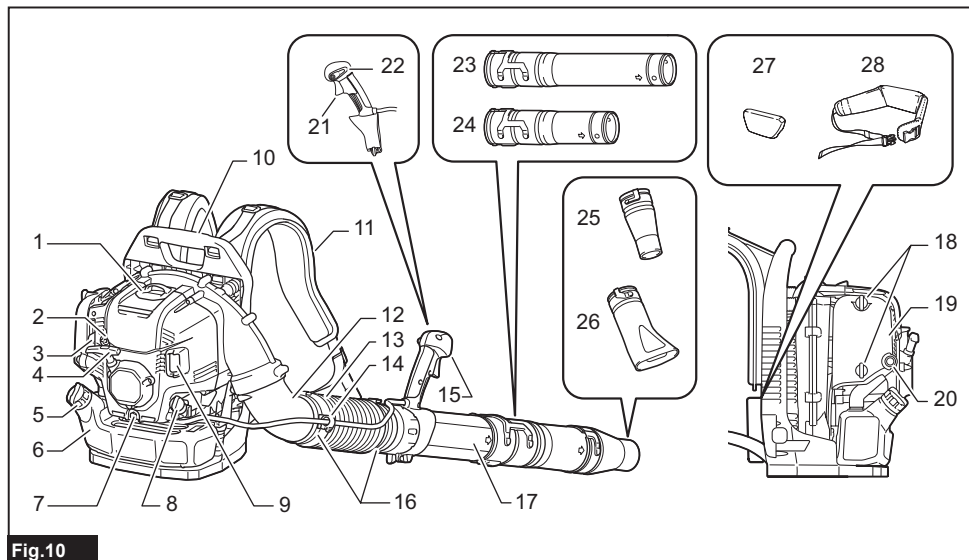


Fig.10

1	Spark plug cover	9	Muffer	17	Swivel pipe	25	Circular nozzle
2	Anti icing lever	10	Carry handle	18	Knob bolt (of air cleaner cover)	26	Flat nozzle (optional accessory)
3	Choke lever	11	Shoulder strap	19	Air cleaner cover	27	Cushion (optional accessory)
4	Starter knob	12	Elbow	20	Primer pump	28	Hip belt (optional accessory)
5	Fuel tank cap	13	Flexible pipe	21	Throttle trigger	-	-
6	Fuel tank	14	Cable holder	22	Stop control lever	-	-
7	Oil drain bolt	15	Control handle	23	Long pipe (optional accessory)	-	-
8	Oil cap	16	Hose band	24	Short pipe (optional accessory)	-	-

- Standard accessories may differ from country to country.

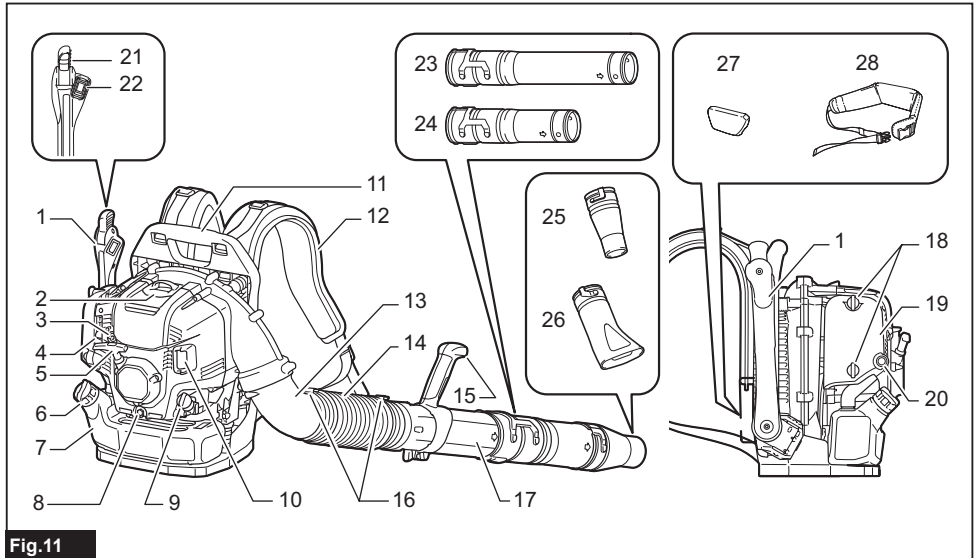


Fig.11

1	Control arm	9	Oil cap	17	Swivel pipe	25	Circular nozzle
2	Spark plug cover	10	Muffler	18	Knob bolt (of air cleaner cover)	26	Flat nozzle (optional accessory)
3	Anti icing lever	11	Carry handle	19	Air cleaner cover	27	Cushion (optional accessory)
4	Choke lever	12	Shoulder strap	20	Primer pump	28	Hip belt (optional accessory)
5	Starter knob	13	Elbow	21	Throttle lever	-	-
6	Fuel tank cap	14	Flexible pipe	22	Stop switch	-	-
7	Fuel tank	15	Handle assembly	23	Long pipe (optional accessory)	-	-
8	Oil drain bolt	16	Hose band	24	Short pipe (optional accessory)	-	-

- Standard accessories may differ from country to country.

ASSEMBLY

⚠ CAUTION: Before performing any work on the blower, always stop the engine and pull the spark plug cap off the spark plug.

⚠ CAUTION: Start the blower only after having assembled it completely.

⚠ CAUTION: Always wear protective gloves.

Assembling blower pipes

1. Insert the swivel pipe into the flexible pipe and tighten them with the hose band.

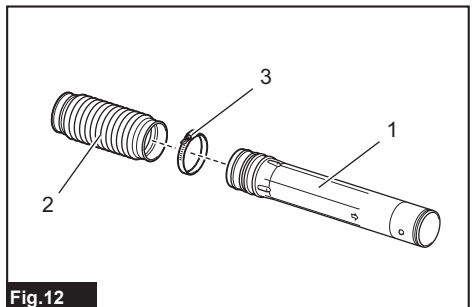


Fig.12

- 1. Swivel pipe 2. Flexible pipe 3. Hose band

2. Loosen and remove the clamp screw.

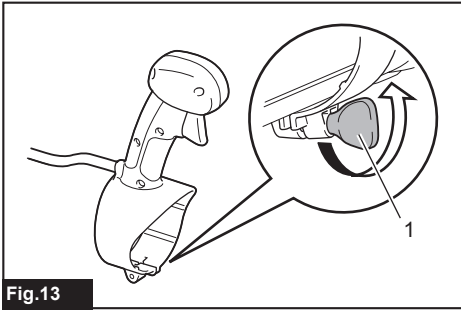


Fig.13

► 1. Clamp screw

For tube throttle model, be careful not to twist the cable on the control handle when attaching to the swivel pipe.

3. Install the control handle / handle assembly onto the swivel pipe and tighten them with the clamp screw.

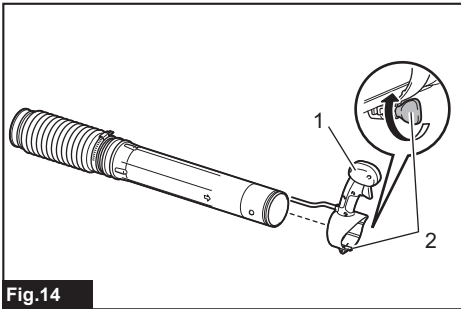


Fig.14

► 1. Control handle / handle assembly 2. Clamp screw

4. Attach the flexible pipe to the elbow

For tube throttle model: Insert the elbow to the flexible pipe. Attach the cable holder between the hose band and the flexible pipe. Tighten the cable holder, flexible pipe and elbow with the hose band. Set the control cable onto the cable holder, and close the cable holder.

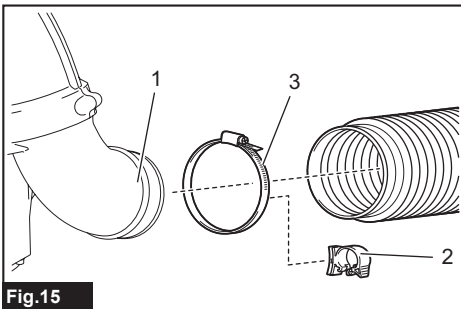


Fig.15

► 1. Elbow 2. Cable holder 3. Hose band

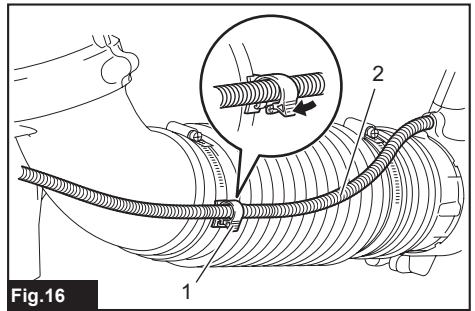


Fig.16

► 1. Cable holder 2. Control cable

For hip throttle model: Insert the elbow to the flexible pipe. Tighten the flexible pipe and the elbow with the hose band.

5. Attach the long/short pipe to the swivel pipe. Turn the long/short pipe clockwise to lock it into place. Then attach the blower nozzle with the long/short pipe. Turn the blower nozzle clockwise to lock it into place.

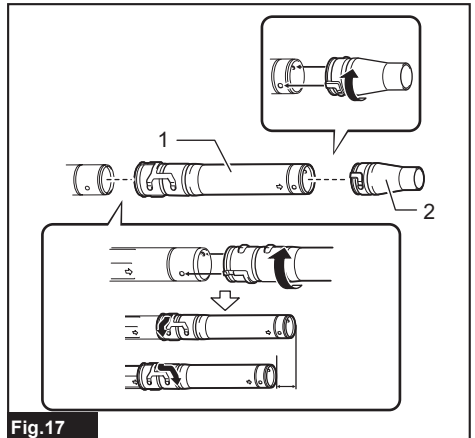


Fig.17

► 1. Long/short pipe 2. Blower nozzle

6. Make sure all clamps are tight. Check if the throttle valve moves correctly along with the throttle movement.

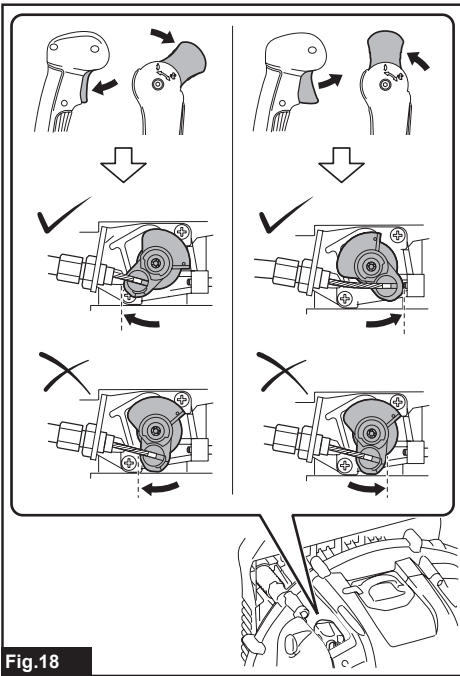


Fig.18

If the throttle cannot be fully pulled or the throttle does not return to the correct position, refer to the MAINTENANCE section for throttle valve adjustment.

BEFORE STARTING THE ENGINE

Checking and refill of engine oil

CAUTION: When refilling with engine oil, stop the engine and wait for the engine to cool down. Otherwise skin burn may result.

NOTICE: Use of deteriorated oil will cause irregular start-up.

NOTICE: Remove dust or dirt near the oil refill port before detaching the oil cap. Also, keep the detached oil cap free of sand or dust. Otherwise, any sand or dust adhering to the oil cap may cause irregular oil circulation or wear on the engine parts, which will result in troubles.

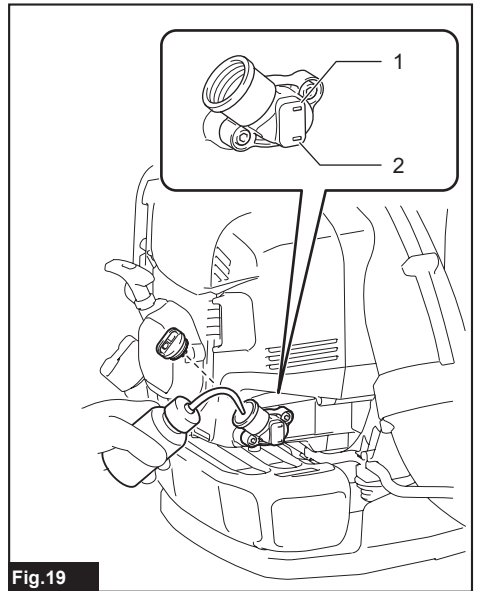


Fig.19

► 1. Upper limit mark 2. Lower limit mark

Inspection

Put the blower on a flat surface and remove the oil cap. Make sure that the oil level is within the upper and lower limit marks. If the oil is not up to the lower limit, fill up with new oil.

Change the oil whenever it becomes dirty or significantly changes color. (Refer to "Replacing engine oil" for the oil change procedure and frequency.)

Refill

Put the blower on a flat surface and remove the oil cap. Fill the oil up to the upper limit of the oil level gauge.

On average, engine oil needs to be added after every 20 hours of operation (every 10 – 15 refuellings).

Recommended oil

- Makita genuine 4-stroke engine oil or
- API grade SF class or higher, SAE 10W-30 oil (automobile 4-stroke engine oil)

Oil capacity

Oil capacity: approximately 140 ml

NOTICE: Store the blower in an upright position on flat surface. The oil gauge does not indicate correct amount of oil if the blower is leaned and oil is flown into the engine. It may result in filling too much oil.

NOTICE: Do not fill with excessive oil.

Excessive oil may spill from the breather of the air cleaner and make surrounding parts dirty, or white smoke may appear due to burning oil.

After refilling with oil

Wipe spilled oil with a rag.

Fuel supply

⚠ WARNING: When refuelling, stop the engine and wait for the engine to cool down. Otherwise ignition, fire, or skin burn may result.

⚠ WARNING: Fuel supply must be made in a place free of fire to prevent ignition or fire. Never bring the fire (smoking, etc.) near the place of fuel supply.

⚠ WARNING: Refuel on flat surface. Do not refuel on unstable place. Refuel in good light and visibility.

⚠ WARNING: Open the fuel tank cap slowly. The fuel may be spilled out by internal pressure.

⚠ WARNING: Take care not to spill the fuel. Wipe spilled fuel.

⚠ WARNING: Carry out fuel supply in a well-ventilated place.

⚠ WARNING: Refuel at open clear place.

⚠ WARNING: Handle the fuel with care.

⚠ CAUTION: Fuel sticking to the skin or entering an eye may cause allergies or irritation. When any physical abnormality is detected, consult the medical specialist immediately.

NOTICE: DO NOT put oil in the fuel tank.

Fuel

⚠ WARNING: Keep the machine and tank at a cool place free from direct sunshine.

⚠ WARNING: Never keep the fuel in a car.

The engine is a 4-stroke engine. Be sure to use an automobile gasoline (regular gasoline or premium gasoline).

NOTICE: Never use gasoline mixed with any oil such as 2 stroke oil or motor oil. Otherwise, it causes excessive carbon accumulation or mechanical troubles.

NOTE: Keep fuel in a special container in a well-ventilated and shaded area. Use fuel within a period of 4 weeks. Otherwise, fuel may deteriorate in one day.

Refuelling method

⚠ CAUTION: If there is any flaw or damage on the tank cap, replace it.

⚠ CAUTION: The tank cap wears out in course of time. Replace it every two to three years.

NOTICE: DO NOT put fuel in the oil fill port.

1. Loosen the tank cap a little to release the tank pressure.
2. Detach the tank cap, and refuel, with discharging air by tilting the fuel tank so that the refuel port is oriented upward. DO NOT fill fuel up to the top of the tank.
3. After refuelling, securely tighten the tank cap.

OPERATION

Starting the engine

⚠ WARNING: Never attempt engine start in a place where the fuel has been supplied. It may cause ignition or fire. When starting the engine, keep a distance of at least 3 meters from fuelling place.

⚠ WARNING: Exhaust gas from the engine is toxic. Do not operate the engine in a poorly-ventilated place, such as in a tunnel, building, etc. Operating the engine in the poorly-ventilated place may cause poisoning by exhaust gas.

⚠ WARNING: In case of detection of any abnormality in sound, odor, vibration after starting, stop the engine immediately and carry out inspection. If the engine is operated without attending such abnormality, an accident may occur.

⚠ WARNING: Do not touch hot engine cover. Otherwise skin burn may result.

⚠ WARNING: Make sure that there is no fuel leakage before starting the engine.

⚠ WARNING: Make sure that the engine stops when the stop switch is set to "O" position.

When the engine is cold or after refuelling (cold start)

1. Put the blower on a flat surface.
2. I/O position

For tube throttle model: Set the stop control lever to "I" position.

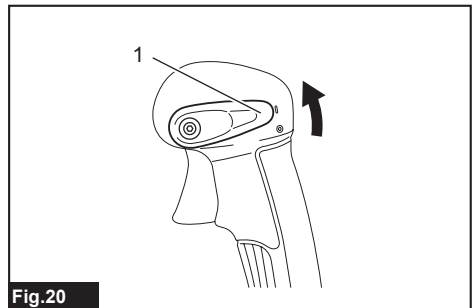


Fig.20

- 1. Stop control lever

For hip throttle model: Set the stop switch to "I" position. And make sure that the throttle lever is set to low speed position.

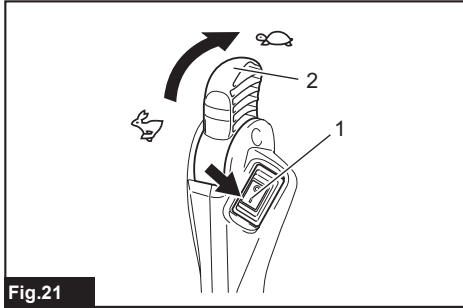


Fig.21

▶ 1. Stop switch 2. Throttle lever

3. Continue to push the primer pump until fuel comes into the primer pump.

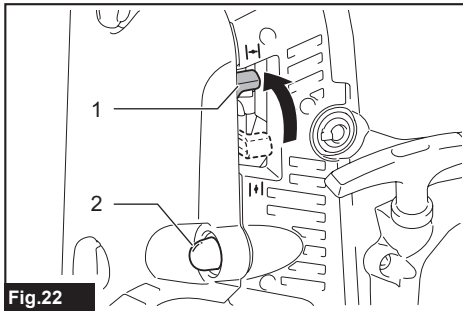


Fig.22

▶ 1. Choke lever 2. Primer pump

NOTE: In general, fuel comes into the carburetor by 7 to 10 pushes.

NOTE: Even the primer pump is pushed excessively, an excess of gasoline returns to the fuel tank.

4. Lift the choke lever to the closed position.

5. Put your left hand on the top of the blower and pull the starter handle slowly with your right hand until you feel the compression. Then pull the starter handle strongly.

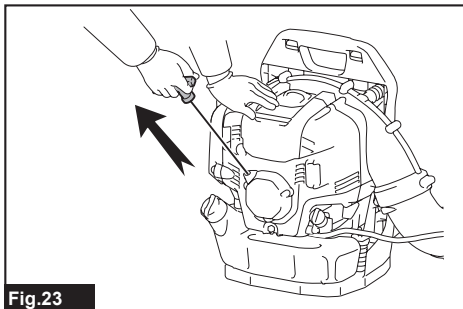


Fig.23

NOTICE: Never pull the rope to the full extension.

NOTICE: Return the starter knob gently into the housing. Otherwise released starter knob may hit your body or it may not rewind appropriately.

NOTE: If the engine fires and stops, return the choke lever to the "OPEN" position and pull the starter handle several times to start the engine again.

6. When the engine starts, down the choke lever to open position.

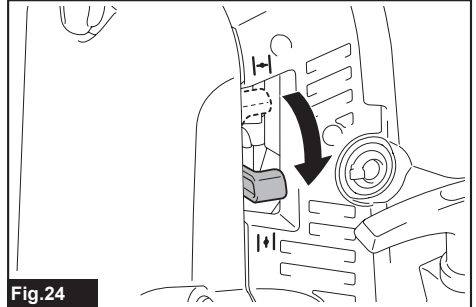


Fig.24

NOTE: Open the choke lever fully before pulling the throttle.

NOTE: In cold temperature or when the engine is not warm enough, never open the choke lever suddenly. Otherwise, the engine may stop.

7. Warm-up for 2 to 3 minutes with engine speed idle or low.

8. Warm-up is complete when quick engine acceleration from low rpm to full throttle is felt.

NOTE: If the operator keeps pulling the starter handle several times with the choke lever left in the "CLOSE" position, the engine may be difficult to start because of flooding of the fuel. In case of flooding of the fuel, remove the spark plug and pull the handle several times rapidly to discharge any excess fuel. Dry the spark plug electrode.

When the engine is warm (warm start)

CAUTION: Be careful not to burn your hand. Wear gloves when you start the engine.

1. Put the blower on a flat surface.
2. Push the primer pump several times.
3. Make sure that the choke lever is open.
4. Put your left hand on the top of the blower and pull the starter handle slowly with your right hand until you feel the compression. Then pull the starter handle strongly.

Stopping the engine

For tube throttle model: Release the throttle trigger and then set the stop control lever to "O" position.

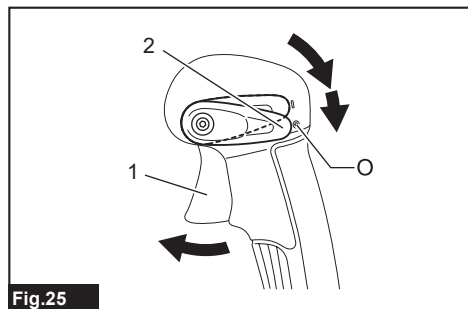


Fig.25

► 1. Throttle trigger 2. Stop control lever

For hip throttle model: Set the throttle lever to the low speed position to reduce the engine speed. Then set the stop switch to "O" position.

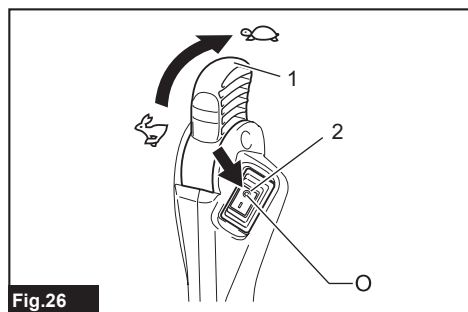


Fig.26

► 1. Throttle lever 2. Stop switch

Prevention from carburetor icing

NOTICE: When environmental temperature is higher than 10°C, always return the lever to normal (sun mark) setting. Otherwise the engine may be damaged by overheating.

When the environmental temperature is low and humidity is high, water vapor may freeze inside the carburetor and the engine drives unsteadily (carburetor icing). Change the setting of the anti icing lever as follows if necessary.

1. Remove the screw and pull out the anti-icing lever.
2. Insert the anti-icing lever as follows:

Warmer environment than than 10°C

Set the nub to the sun mark (warmer position).

10°C or colder environment

Set the nub to the the snow mark (anti-icing position).

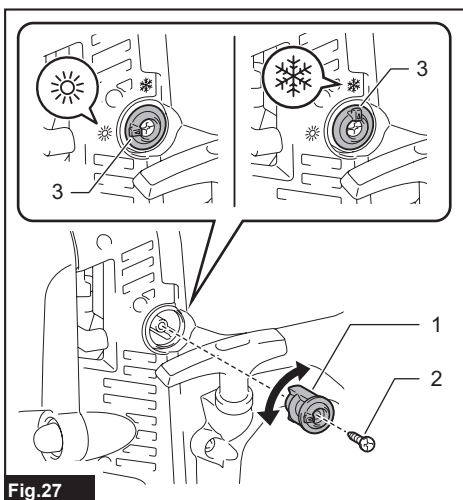


Fig.27

► 1. Anti-icing lever 2. Screw 3. Nub

3. Tighten the screw.

Adjusting shoulder strap

1. Adjust the shoulder strap to a length that is comfortable to work while carrying the blower.

To tighten the strap, pull the end of the strap downwards.

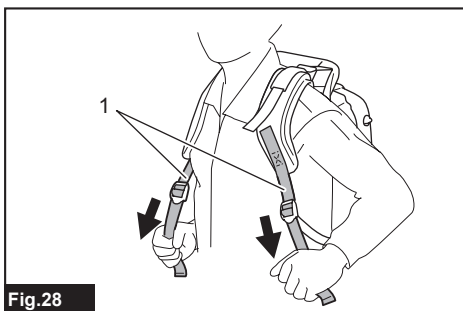


Fig.28

► 1. Shoulder strap

To loosen the strap, pull up the end of the fastener.

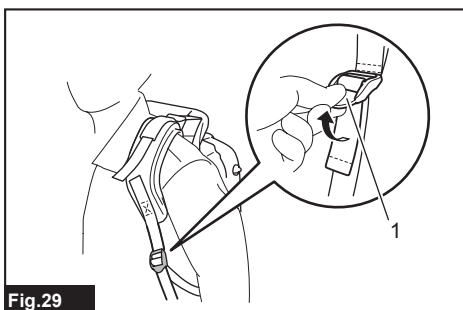


Fig.29

► 1. Fastener

Roll up the end of the strap and hold it with the band.

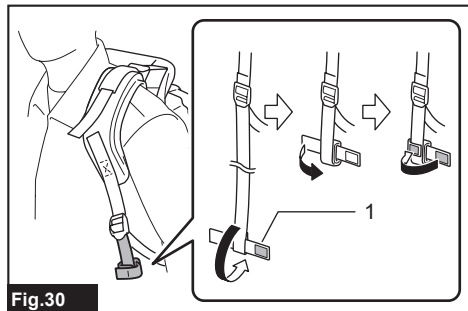


Fig.30

► 1. Band

2. Pull the stabilizer strap until there are no space left between your back and the blower housing.

To fasten the strap, pull the end of the strap downwards.

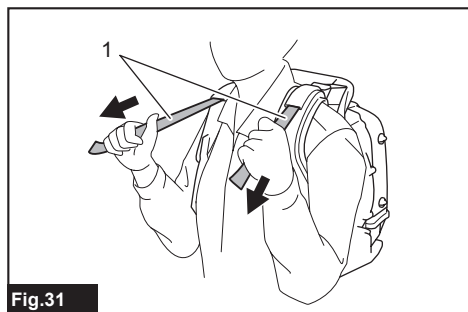


Fig.31

► 1. Stabilizer strap

To loosen the strap, pull up the end of the fastener.

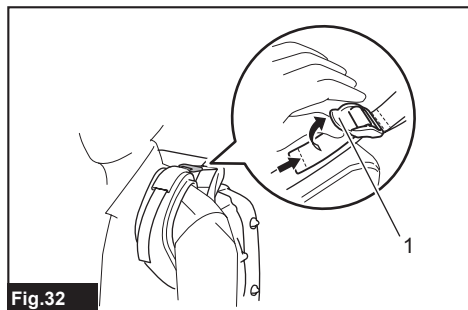


Fig.32

► 1. Fastener

Hip belt

Optional accessory

The hip belt enables the operator to carry the tool more stably.

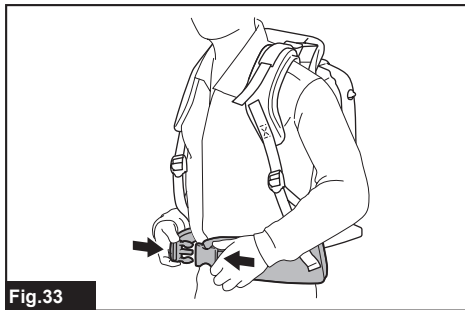


Fig.33

CAUTION: Make sure to release the hip belt buckle before unloading the blower.

Adjusting the control lever position

For tube throttle model: Move the control handle along the swivel pipe to the most comfortable position. Then tighten the control handle with the clamp screw.

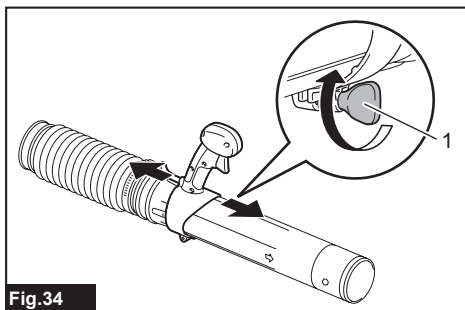


Fig.34

► 1. Clamp screw

For hip throttle model: Move the handle assembly along the swivel pipe to the most comfortable position. Then tighten the handle with the clamp screw.

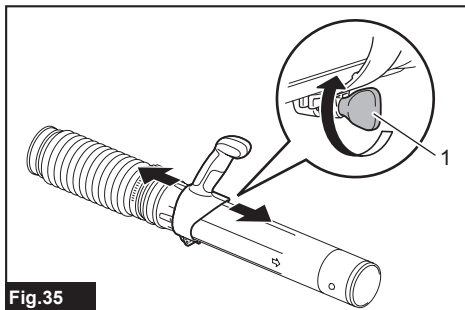


Fig.35

► 1. Clamp screw

Adjust the angle of the control arm.

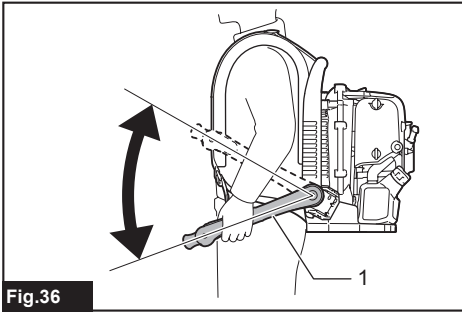


Fig.36

► 1. Control arm

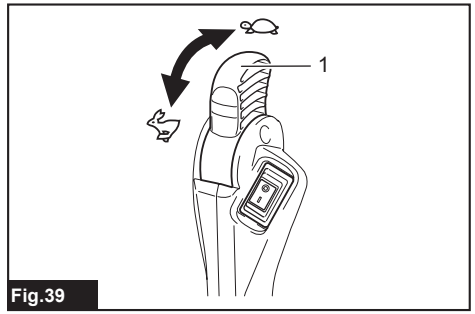


Fig.39

► 1. Throttle lever

Blower Operation



Fig.37

1. While operating the blower, adjust the throttle trigger / throttle lever so that the wind force is appropriate for the work location and conditions.

2. Adjusting engine speed.

For tube throttle model: Engine speed increases by pulling the throttle trigger. To decrease the engine speed, loosen the throttle trigger. The cruise control function allows the operator to maintain a constant engine speed without pulling the trigger lever. To increase the engine speed, turn the stop control lever to high speed. To decrease the engine speed, turn the stop control lever to low speed.

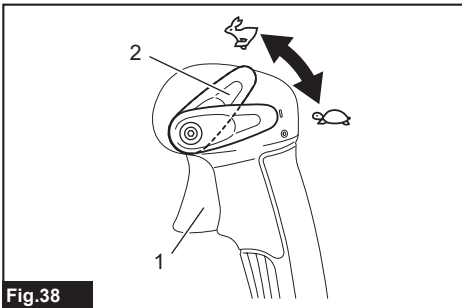


Fig.38

► 1. Throttle trigger 2. Stop control lever

For hip throttle model: To increase the engine speed, turn the throttle lever to high speed. To decrease the engine speed, turn the throttle lever to low speed.

Transporting the blower

CAUTION: When transporting the blower, be sure to stop the engine.

NOTICE: Do not sit or stand on the blower or put a heavy object on it. It may damage the machine.

NOTICE: Maintain the blower in an upright position whenever transporting or storing. Transporting or storing in a position that is not upright may cause oil to spill inside the blower engine. This may result in oil leaks and white smoke from burning oil, and the air cleaner may become dirty with oil.

NOTICE: Do not drag the blower when transporting. Otherwise the blower housing may be damaged.

MAINTENANCE

CAUTION: Before inspection and maintenance, stop the engine and allow it to cool down. Remove the spark plug and plug cap. Otherwise the operator may suffer burn or serious injury due to an accidental start-up.

CAUTION: After inspection and maintenance, make sure that all parts are assembled.

Replacing engine oil

CAUTION: The engine main unit and engine oil still remain hot just after the engine is stopped. When replacing engine oil, make sure that the engine main unit and engine oil are sufficiently cooled down. Otherwise, there may remain a risk of scald. Allow sufficient time after stopping engine for the engine oil to return to the oil tank to ensure accurate reading of the oil amount.

CAUTION: If the oil filled above the limit, it may become dirty or may catch fire with white smoke.

NOTICE: Never discard replaced engine oil in garbage, ground or sewage. Disposal of oil is regulated by law. In disposal, always follow the relevant laws and regulations. For any points remaining unknown, contact Authorized Service Agent.

NOTICE: Oil will deteriorate even when it is kept unused. Perform inspection and replacement at regular intervals (replace with new oil every 6 months).

Deteriorated engine oil shortens the life of the sliding and rotating parts to a great extent. Be sure to check the period and quantity of replacement.

Interval of replacement

After first 20 operating hours, followed by every 50 operating hours

Recommended oil

- Makita genuine 4-stroke engine oil or
- API grade SF class or higher, SAE 10W-30 oil (automobile 4-stroke engine oil)

Oil replacement procedure

Change the oil as follows:

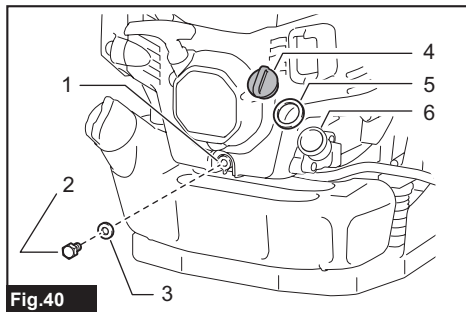


Fig.40

- 1. Drainage hole 2. Oil drain bolt 3. Gasket (aluminum washer) 4. Oil cap 5. Oil cap gasket 6. Oil port

1. Put the blower down on a level surface.
2. Put a waste oil container under the drainage hole to catch the oil as it drains out. The container should have a capacity of at least 140 ml to catch all of the oil.
3. Loosen the oil drain bolt to let the oil drain out. Be careful not to allow oil to get on the fuel tank or other parts.

NOTICE: Be careful not to lose the gasket (aluminum washer). Put the oil drain bolt in a location where it does not get dirt.

4. Remove the oil cap. (Removing the oil cap allows the oil to drain easily.)

NOTICE: Be sure to set the oil cap down in a location where it does not get dirt.

5. As the level of the oil being drained decreases, tilt the blower over on to the side with the drain so that the oil will completely drain out.

6. After the oil has completely drained out, tighten the oil drain bolt securely. If the bolt is not tightly fastened, it may result in oil leakage.

NOTICE: Do not forget to put the gasket (aluminum washer) back on when reattaching the drain plug.

7. Pour approximately 140 ml oil into the oil refill port up to the upper limit mark.

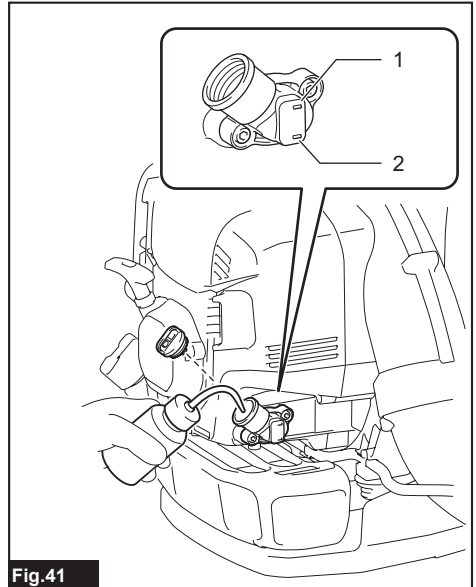


Fig.41

- 1. Upper limit mark 2. Lower limit mark

8. After filling with oil, tighten the oil cap securely to prevent oil leaks.

NOTICE: Do not forget to put the oil cap gasket back on when reattaching the oil cap.

Cleaning of air cleaner

⚠ WARNING: INFLAMMABLES STRICTLY PROHIBITED

Interval of Cleaning and Inspection

Daily (every 10 operating hours)

Cleaning procedure

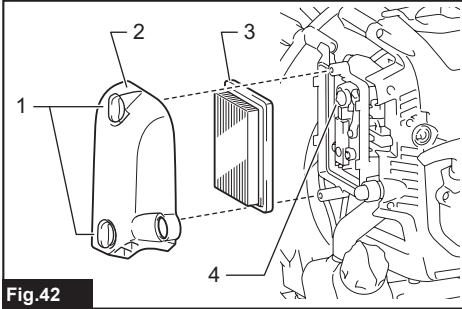


Fig.42

- 1. Knob bolts 2. Air cleaner cover 3. Element
4. Breather

1. Loosen the knob bolts.
2. Remove the air cleaner cover.
3. Remove the element and clean off any dirt from the element with a cloth or air blow. Replace the element with a new one if it is damaged or very dirty.

NOTE: The element is a dry type and should not get wet. Never wash with water.

4. Wipe off any oil around the breather with a rag or cloth.
5. Install the element in the air cleaner case.
6. Attach the air cleaner cover and tighten the knob bolts.

NOTICE: Clean the element several times a day, if excessive dust adheres to it due to dusty environment.

NOTICE: If operation continues with the element remaining not cleared of oil, oil in the air cleaner may fall outside, resulting in oil contamination.

Checking the spark plug

⚠ CAUTION: Do not touch the spark plug while the engine is running. Otherwise electrical shock may result.

⚠ CAUTION: Set the stop control lever/stop switch to OFF "O" position.

⚠ CAUTION: Check the spark plug cord regularly. If it is damaged or torn, replace it. Otherwise electrical shock may result.

NOTICE: When removing the spark plug, clean the spark plug and cylinder head first, so that no dirt, sand, etc will enter the cylinder.

NOTICE: Remove the spark plug after the engine has cooled down in order to avoid damaging the threaded hole in the cylinder.

NOTICE: Install the spark plug properly into the threaded hole. If installed at an angle, the threaded hole in the cylinder will get damaged.

1. To open the plug cover, lift it and make a half turn of it.

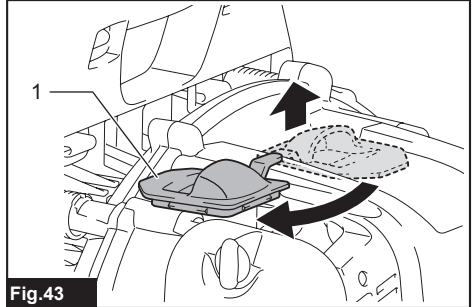


Fig.43

- 1. Plug cover

2. Use the box wrench provided as a standard accessory to remove and install the spark plug.

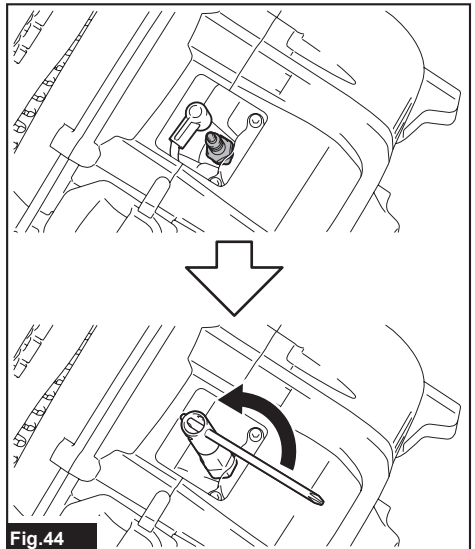


Fig.44

3. The appropriate clearance between two electrodes of spark plug is 0.7 to 0.8 mm. Adjust to the correct clearance when it is too wide or too narrow.

Clean thoroughly or replace the spark plug if it has accumulated carbon or contaminated.

For replacement, use NGK CMR6H.

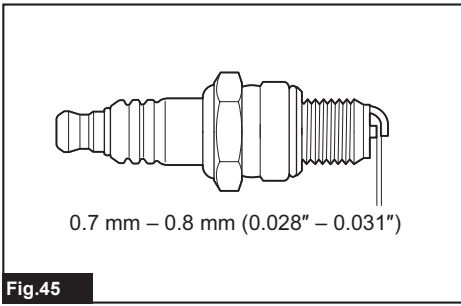


Fig.45

- To close the plug cover, make a half turn of it, and press around the dented part.

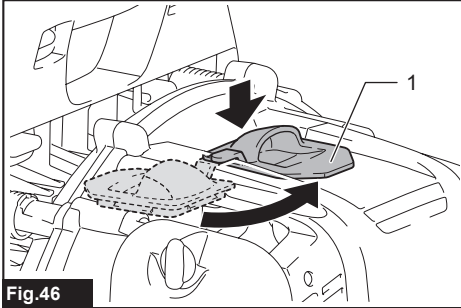


Fig.46

- 1. Plug cover

Cleaning the fuel filter

CAUTION: Make sure there is no damage on the fuel tank. If there are any damage on the fuel tank, ask authorized service center immediately for repair.

NOTICE: Clean the fuel filter regularly. Clogged fuel filter may cause difficulty of start-up or failure of engine speed increase.

Check the fuel filter regularly as follows:

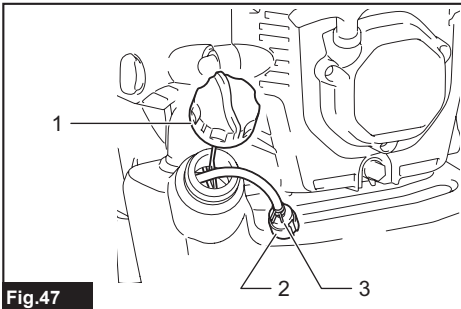


Fig.47

- 1. Fuel tank cap 2. Fuel filter 3. Hose clamp

- Remove the fuel tank cap, drain the fuel to empty the tank. Check the tank inside for any foreign materials. If any, wipe clean such materials.

- Pull out the fuel filter with wire through the fuel filling port.
- If the fuel filter surface is contaminated, clean it with gasoline.

NOTICE: Follow the method specified by each local authority for disposing the gasoline used for cleaning the fuel filter.

NOTICE: Replace the fuel filter if it is excessively contaminated.

- After checking, cleaning or replacing, insert the fuel filter into the fuel pipe and fix it with the hose clamp. Reset the fuel filter in the fuel tank and tighten firmly the fuel tank cap.

Adjustment of idling speed

CAUTION: The carburetor is factory adjusted. Never adjust other than idling speed. For other adjustments, ask your authorized service center.

Appropriate low-speed rotation is $2,800 \text{ min}^{-1}$ (rpm). If it is necessary to change the rotation speed, adjust the idle speed with a Phillips screwdriver. If the engine stops or runs unsteadily at idle, turn the adjusting screw to the right, and the idling speed increases. If the machine blows too strong at idle, turn the adjusting screw to the left, and the idling speed drops.

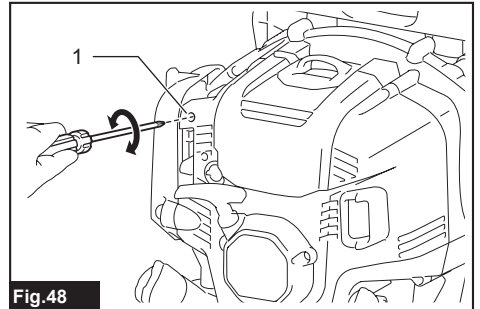


Fig.48

- 1. Idling adjusting screw

Checking throttle valve

If the control cable is bent or caught, the throttle valve does not contact with the idle adjusting screw, and it prevents the engine from proper idling. In such a case, reposition the control cable to ensure proper valve movement.

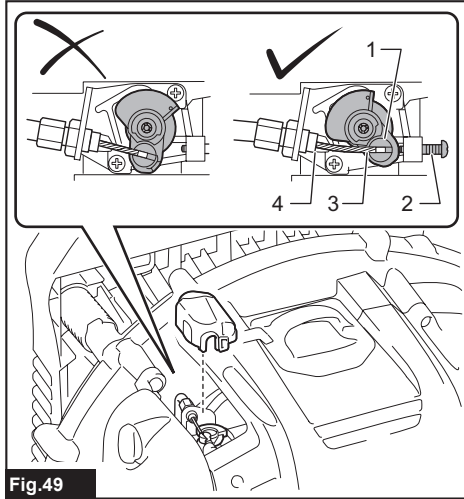


Fig.49

► 1. Throttle valve 2. Idling adjusting screw 3. Control cable 4. Throttle valve stopper

If the throttle valve does not touch the throttle valve stopper even you pull the throttle trigger fully or if the throttle valve does not touch the idling adjusting screw while idling, turn the cable adjusting bolt as follows:

1. Loosen the fixing nut.
2. If the throttle valve does not touch the throttle valve stopper, turn the cable adjusting bolt counterclockwise.

If the throttle valve does not touch the idling adjusting screw, turn the cable adjusting bolt clockwise.

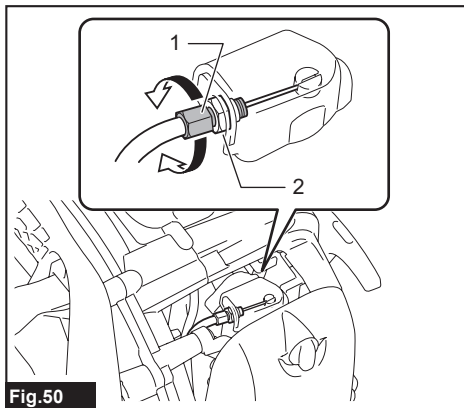


Fig.50

► 1. Cable adjusting bolt 2. Fixing nut

3. Tighten the fixing nut to fasten the cable adjusting bolt.

4. Check the movement of the throttle valve. The throttle valve comes to the position as illustrated when the throttle trigger/lever is pulled/turned.

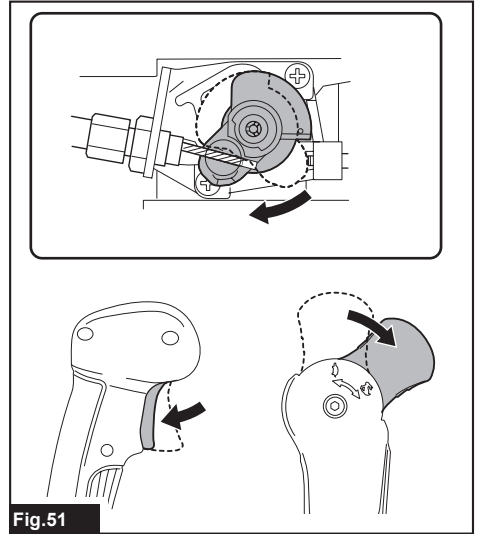


Fig.51

Cleaning carburetor cover

If the carburetor cover gets dirty and it is difficult to check the throttle valve, clean the carburetor cover as follows:

NOTICE: Never use gasoline, benzene, thinner, alcohol or the like for cleaning the carburetor cover. Otherwise it may be tarnished.

1. Pass a slotted screwdriver through the hole on the engine cover. Release the clamp of the carburetor cover.

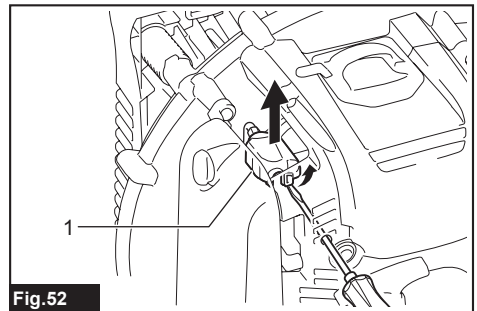


Fig.52

► 1. Carburetor cover

2. Clean the carburetor cover.

NOTICE: Use wet clean cloth for cleaning the carburetor cover.

3. Return the carburetor cover. Make sure the clamp of the carburetor cover clicks when it is set in place.

Inspecting bolts, nuts and screws and other parts

Retighten loose bolts, nuts, etc.

Check for fuel and oil leakage.

Replace damaged parts with new ones for safety operation.

Cleaning engine, cooling air inlet

Keep engine clean by wiping down with a cloth rag.

Keep the cylinder fins free of dust or dirt. Dust or dirt adhering to the fins may cause engine overheat and piston seizure.

Blowing air is taken in from the air inlet vent. When airflow drops down during operation, stop engine and inspect the air inlet vent for any blockages. Clean it if necessary. Such a blockage may cause overheat and damage the engine.

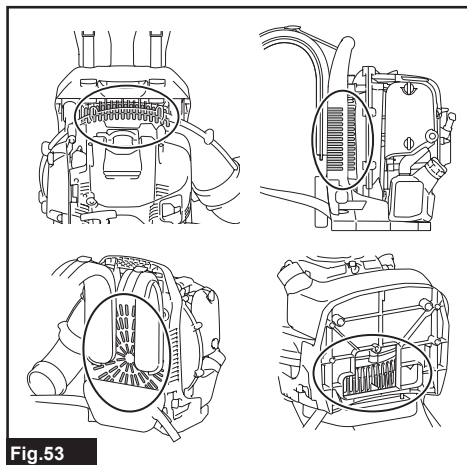


Fig.53

Replacing gaskets and packings

Replace gaskets and packings if the engine is disassembled.

Any maintenance or adjustment work that is not included and described in this manual is only to be performed by Authorized Service Agent.

Storage

⚠WARNING: When draining the fuel, stop the engine and wait for the engine to cool down. Failure to do so may cause burns or fire.

⚠CAUTION: When you store the machine for a long time, drain all fuel from the fuel tank and carburetor, and keep it at a dry and clean place.

Drain fuel from the fuel tank and carburetor before storing the machine as follows:

1. Remove the fuel tank cap, and drain fuel completely. If there is any foreign materials remaining in the fuel tank, remove it completely.
2. Pull out the fuel filter from the refill port using a wire.
3. Push the primer pump until fuel is drained from there, and drain fuel coming into the fuel tank.
4. Reset the filter to the fuel tank, and securely tighten the fuel tank cap.
5. Then, continue to operate the engine until it stops.
6. Remove the spark plug, and drip several drops of engine oil through the spark plug hole.
7. Gently pull the starter handle so that engine oil will spread over the engine, and attach the spark plug.
8. Keep the machine with its carry handle upside.
9. Keep the drained fuel in a special container in a well-ventilated shade.

Fault location

Fault	System	Observation	Cause
Engine not starting or with difficulty	Ignition system	Ignition sparks.	Fault in fuel supply or compression system, mechanical defect.
		No ignition sparks.	STOP-switch operated, wiring fault or short circuit, spark plug or connector defective, ignition module faulty.
	Fuel supply	Fuel tank filled.	Incorrect choke position, carburetor defective, fuel supply line bent or blocked, fuel dirty.
	Compression	No compression when pulled over.	Cylinder bottom gasket defective, crankshaft seals damaged, cylinder or piston rings defective or improper sealing of spark plug.
Warm start problems	Mechanical fault	Starter not engaging.	Broken starter spring, broken parts inside of the engine.
	-	Tank filled. Ignition sparks.	Carburetor contaminated, have it cleaned.

Fault	System	Observation	Cause
Engine starts but dies	Fuel supply	Tank filled.	Incorrect idling adjustment, carburetor contaminated.
			Fuel tank vent defective, fuel supply line interrupted, cable or STOP-switch faulty.
Insufficient performance	Several systems may simultaneously be affected	Engine idling poor.	Air filter contaminated, carburetor contaminated, muffler clogged, exhaust duct in the cylinder clogged.

Interval of inspection and maintenance

		Before operation	After fuelling	Daily (10h)	50h	200h	600h or 2 years whichever earlier	Before storage
Engine oil	Inspect / refill	○	-	-	-	-	-	-
	Replace	-	-	-	○ (Note1)	-	-	-
Tightening parts (bolt, nut)	Inspect	○	-	-	-	-	-	-
Cooling air inlet	Clean / inspect	○	-	-	-	-	-	-
Fuel tank	Clean / inspect	○	-	-	-	-	-	-
	Drain fuel	-	-	-	-	-	-	○ (Note3)
Throttle trigger / throttle lever	Check function	-	○	-	-	-	-	-
Stopping the engine	Check function	-	○	-	-	-	-	-
Adjustment of idling speed	Inspect / adjust	-	○	-	-	-	-	-
Air cleaner	Clean	-	-	○	-	-	-	-
	Inspect / replace if necessary	-	-	-	-	○	-	-
Control cable	Inspect / adjust	-	-	○	-	-	-	-
	Inspect / replace if necessary	-	-	-	-	○ (Note2)	-	-
Spark plug	Inspect / adjust gap if necessary	-	-	○	-	-	-	-
	Clean / replace if necessary	-	-	-	-	○	-	-
Plug cord	Inspect / replace if necessary	-	-	-	-	○ (Note2)	-	-
Fuel pipe	Inspect	-	-	○	-	-	-	-
	Replace	-	-	-	-	○ (Note2)	-	-
Fuel filter	Clean / replace if necessary	-	-	-	○	-	-	-
Oil tube	Inspect	-	-	-	-	○ (Note2)	-	-

		Before operation	After fuelling	Daily (10h)	50h	200h	600h or 2 years whichever earlier	Before storage
Valve clearance (intake valve and exhaust valve)	Inspect / adjust	-	-	-	-	○ (Note2)	-	-
Muffler	Inspect / clean	-	-	-	-	○ (Note2)	-	-
Combustion chamber / valve / port	Inspect / clean	-	-	-	-	○ (Note2)	-	-
Engine	Overhaul	-	-	-	-	-	○ (Note2)	-
Carburetor	Drain fuel	-	-	-	-	-	-	○ (Note3)

Note1: Perform initial replacement after 20h operation.

Note2: For inspection, request Authorized Service Agent or a machine shop.

Note3: After emptying the fuel tank, continue to run the engine and drain fuel in the carburetor.

TROUBLESHOOTING

Before asking for repairs, conduct your own inspection first. If you find a problem that is not explained in the manual, do not attempt to dismantle the tool. Instead, ask Makita Authorized Service Centers, always using Makita replacement parts for repairs.

State of abnormality	Probable cause (malfunction)	Remedy
Engine does not start.	Failure to operate primer pump.	Push 7 to 10 times.
	Low pulling speed of starter rope.	Pull strongly.
	Lack of fuel.	Feed fuel.
	Clogged fuel filter.	Clean the fuel filter or replace with new one.
	Bent fuel tube.	Straighten the fuel tube.
	Deteriorated fuel.	Deteriorated fuel makes starting more difficult. Replace with new one. (Recommended replacement: 1 month)
	Excessive suction of fuel.	Set throttle lever from medium speed to high speed, and pull starter handle until engine starts. If engine will not start still, remove spark plug, make electrode dry, and reassemble them as they originally are. Then, start as specified.
	Detached plug cap.	Attach securely.
	Contaminated spark plug.	Clean the spark plug.
	Abnormal clearance of spark plug.	Adjust clearance.
	Other abnormality of spark plug.	Replace the spark plug.
	Abnormal carburetor.	Ask our authorized service center to inspect and repair it.
Engine stops soon. Engine speed does not increase.	Cannot pull the starter knob.	Ask our authorized service center to inspect and repair it.
	Engine internal parts problem.	Ask our authorized service center to inspect and repair it.
	Insufficient warm-up.	Perform warm-up operation.
	Choke lever is set to "CLOSE" although engine is warmed up.	Set to "OPEN".
	Clogged fuel filter.	Clean the fuel filter.
	Contaminated or clogged air cleaner.	Clean the air filter.
	Detached control cable.	Attach the control cable securely.
Engine internal parts problem.	Ask our authorized service center to inspect and repair it.	

State of abnormality	Probable cause (malfunction)	Remedy
Throttle does not return to idling speed.	Improper throttle valve position.	Reposition the control cable. Adjust the throttle valve position by turning the cable adjusting bolt.
Engine does not stop. ⇒ Run engine at idling, and set choke lever to "CLOSE".	Detached connector.	Attach the connector securely.
	Abnormal electric system.	Ask our authorized service center to inspect and repair it.

DAFTAR ISI

SPEKIFIKASI	24	SEBELUM MENYALAKAN MESIN	32
PETUNJUK KESELAMATAN PENTING	25	PENGUNAAN	34
DESKRIPSI BAGIAN-BAGIAN MESIN	29	PERAWATAN	38
PERAKITAN	30	PEMECAHAN MASALAH	46

SPEKIFIKASI

Model:		EB5300TH	EB5300WH
Jenis katup bahan bakar		Katup bahan bakar berbentuk tabung	Katup panggul
Berat kering	tanpa pipa peniup / dengan bantalan	8,9 kg	9,1 kg
	dengan pipa peniup	9,8 kg - 10,0 kg	10,1 kg - 10,3 kg
Dimensi (tanpa pipa peniup, P x L x T)		320 mm x 450 mm x 475 mm	320 mm x 510 mm x 475 mm
Kecepatan udara	(dengan pipa panjang, nosel bulat)	81 m/s	
	(dengan pipa pendek, nosel bulat)	82 m/s	
Kecepatan aliran volume udara	(dengan pipa panjang, nosel bulat)	15 m ³ /menit	
	(dengan pipa pendek, nosel bulat)	15 m ³ /menit	
Kecepatan maksimal mesin		6.400 min ⁻¹	
Kecepatan statis mesin		2.800 min ⁻¹	
Pembongkaran mesin		52,5 cm ³	
Tipe mesin		Berpendingin udara, 4 tak, satu silinder	
Bahan bakar		Bensin mobil	
Kapasitas tangki bahan bakar		1.800 cm ³	
Oli mesin		Kelas SF bermutu API atau lebih tinggi, oli SAE 10W-30 (oli mesin mobil 4 tak)	
Volume oli mesin		140 cm ³	
Karburator		Tipe diafragma	
Busi		NGK CMR6H	
Jarak elektroda		0,7 mm - 0,8 mm	

- Karena kesinambungan program penelitian dan pengembangan kami, spesifikasi yang disebutkan di sini dapat berubah tanpa pemberitahuan.
- Spesifikasi dapat berbeda dari satu negara ke negara lainnya.
- Berat dapat berbeda bergantung pada perangkat(-perangkat) tambahan.

Simbol

Berikut ini adalah simbol-simbol yang digunakan pada peralatan ini. Pastikan Anda mengerti makna masing-masing simbol sebelum menggunakan alat.



Berhati-hatilah dan pusatkan perhatian Anda.



Baca petunjuk penggunaan.



Dilarang!



Dilarang merokok.



Jauhkan dari api.










Gunakan sarung tangan pelindung.



Kenakan pelindung mata dan telinga.



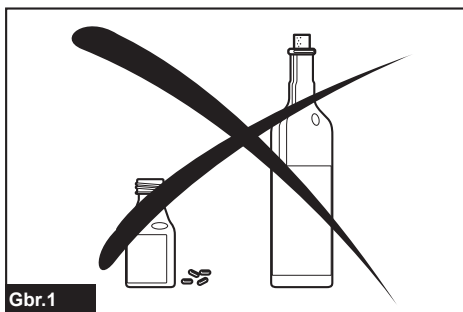
Permukaan panas - Dapat menyebabkan luka bakar pada jari atau tangan.

	Jauhkan orang-orang di sekitar.
	Jauhkan daerah operasi bebas dari semua orang dan hewan peliharaan.
	Bahan bakar (bensin)
	Starter manual mesin.
	Matikan mesin.
	P3K
	On/Mulai
	Off/Berhenti
	Rambut yang panjang berisiko terbelit.

PETUNJUK KESELAMATAN PENTING

Panduan umum

1. Untuk memastikan operasi yang benar dan aman, pengguna harus membaca, memahami dan mengikuti buku panduan ini untuk membiasakan diri dengan penanganan mesin peniup. Pengguna yang kurang memahami penggunaan mesin dapat membahayakan diri mereka sendiri dan juga orang lain karena penanganan mesin yang tidak benar.
2. Disarankan bahwa mesin peniup dipinjamkan hanya pada orang-orang yang telah berpengalaman menggunakan mesin peniup.
3. Selalu sertakan buku panduan saat meminjamkan mesin peniup.
4. Pengguna baru harus bertanya pada penjual mengenai panduan dasar untuk membiasakan diri dengan penanganan mesin peniup.
5. Anak-anak berumur di bawah 18 tahun tidak diperbolehkan mengoperasikan mesin peniup. Orang yang berusia lebih dari 16 tahun dapat menggunakan alat ini untuk tujuan latihan, namun harus dengan pengawasan pelatih yang berpengalaman.
6. Gunakan peniup dengan hati-hati dan cermat.
7. Gunakan mesin peniup hanya jika Anda berada dalam kondisi fisik yang baik.
8. Lakukan semua pekerjaan dalam keadaan sadar dan dengan hati-hati. Pengguna harus bertanggung jawab atas diri orang lain.
9. Jangan pernah menggunakan mesin peniup di bawah pengaruh minuman beralkohol atau narkoba.



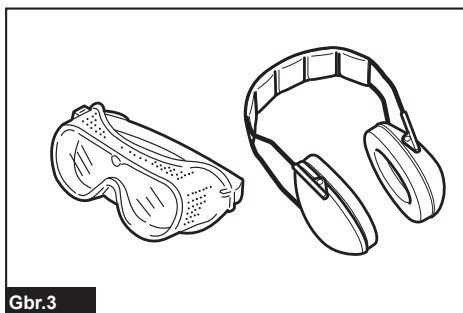
Gbr.1

10. Jangan menggunakan unit mesin saat Anda lelah.
11. Simpanlah petunjuk ini untuk acuan di kemudian hari.
12. Cermati dan ikuti seluruh panduan pencegahan kecelakaan bersangkutan yang dikeluarkan oleh asosiasi perdagangan serta perusahaan asuransi. Jangan lakukan modifikasi apa pun pada mesin peniup karena hal ini akan membahayakan keselamatan Anda.
13. Jangan pernah melakukan modifikasi pada peralatan. Hal ini dapat menyebabkan kecelakaan berbahaya atau cedera.

Alat pelindung diri



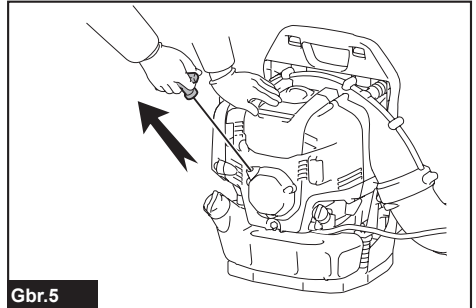
Gbr.2



Gbr.3

1. Pakaian yang digunakan harus fungsional dan tepat, yaitu pakaian harus pas namun tidak akan menyebabkan susah bergerak. Jangan kenakan perhiasan, pakaian atau rambut panjang yang mungkin saja tertarik ke dalam asupan udara.

2. Demi menghindari cedera kepala, mata, tangan atau kaki, perlengkapan dan pakaian pelindung berikut harus digunakan selama mengoperasikan mesin peniup.
 3. Pakaian yang digunakan harus kuat dan nyaman, namun tetap memungkinkan untuk bergerak dengan bebas. Hindari penggunaan jaket yang longgar, celana yang terlalu lebar atau ketat, selendang, rambut yang tidak dikuncir atau apa pun yang mungkin akan tertarik ke dalam asupan udara. Kenakan baju kerja atau celana panjang untuk melindungi lutut Anda. Jangan mengenakan celana pendek.
 4. Secara umum, produk mesin menimbulkan suara bising yang dapat menyebabkan gangguan pada pendengaran Anda. Gunakan peredam suara (penyumbat telinga atau peredam suara) untuk melindungi pendengaran Anda. Pengguna yang mengoperasikan mesin secara terus menerus dan rutin harus memeriksakan pendengaran mereka secara teratur.
 5. Sangat dianjurkan untuk mengenakan sarung tangan saat bekerja menggunakan peniup. Kenakan sepatu yang kuat dengan sol yang tidak licin.
 6. Pelindung mata harus dikenakan. Meskipun buangan dari mesin tidak mengarah ke operator mesin, lentingan dan pantulan mungkin saja terjadi saat mesin peniup menyala.
 7. Jangan pernah menggunakan mesin peniup tanpa menggunakan kacamata atau kacamata dengan pelindung penuh pada sisi bagian atas dan samping yang memenuhi ketentuan EN166 serta peraturan keamanan kerja yang berlaku di negara Anda.
 8. Untuk mengurangi risiko cedera karena mengisap debu, kenakan masker saat bekerja dalam kondisi berdebu.
2. Sebelum pengoperasian, selalu periksa untuk memastikan bahwa mesin peniup aman digunakan:
 - Periksa keamanan tuas katup. Pastikan tuas katup dapat bergerak dengan lancar dan mudah.
 - Pastikan kunci tuas katup berfungsi dengan baik.
 - Pastikan bahwa semua gagang dalam kondisi bersih dan kering, serta ujilah fungsi sakelar I-O. Jaga gagang agar tetap bersih dari oli dan bahan bakar.
 3. Nyalakan peniup hanya sesuai petunjuk dalam buku panduan saja. Jangan gunakan cara lain untuk menyalakan mesin.



Gbr.5

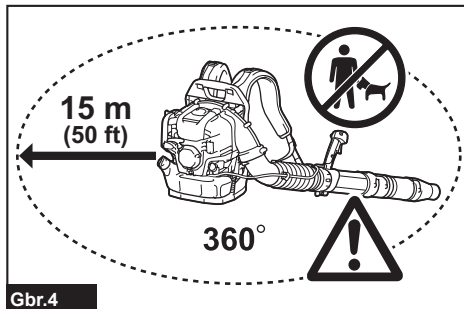
4. Gunakan mesin peniup dan peralatan yang disertakan hanya untuk pekerjaan yang telah ditentukan.
5. Nyalakan mesin peniup hanya setelah seluruh peralatan telah dirangkai. Penggunaan peralatan diperbolehkan hanya setelah seluruh aksesoris yang tepat telah dipasang.
6. Mesin akan langsung mati jika terdapat masalah pada mesin.
7. Saat bekerja menggunakan mesin peniup, genggam gagangnya kuat-kuat dengan tangan Anda, sehingga Anda dapat mengontrol gagang dengan memegangnya di antara ibu jari dan jari telunjuk. Jaga tangan Anda tetap pada posisi ini agar Anda mesin selalu dalam kontrol Anda. Pastikan gagang kontrol Anda berada pada posisi yang baik dan bersih dari cairan, ter, oli atau pelumas.
8. Pastikan pijakan Anda aman dan seimbang.
9. Gendong mesin peniup dengan benar pada kedua pundak saat digunakan. Jangan bawa mesin peniup dengan hanya satu tali bahu saja. Jika Anda melakukannya, Anda mungkin saja mengalami cedera perseorangan.
10. Operasikan mesin peniup sedemikian rupa agar Anda tidak menghirup gas buangnya. Jangan pernah menyalakan mesin dalam ruangan tertutup (risiko sesak napas dan keracunan gas). Karbon monoksida adalah gas yang tidak berbau. Selalu pastikan terdapat ventilasi udara yang cukup.

Penggunaan

Mesin ini digunakan untuk meniup debu.

Menyalakan mesin

1. Pastikan tidak ada anak-anak atau orang lain di dalam jarak kerja 15 meter, serta pastikan tidak ada binatang apa pun di dalam area kerja.

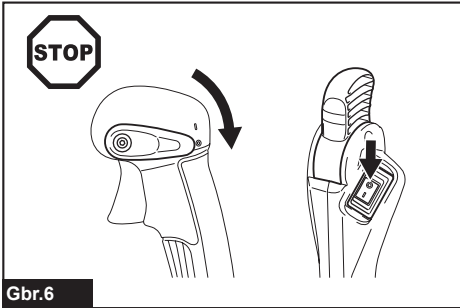


Gbr.4

11. Matikan mesin saat Anda sedang beristirahat atau meninggalkan peniup. Letakkan mesin peniup di tempat yang aman untuk mencegah risiko bahaya pada orang lain, kebakaran pada benda yang mudah terbakar, atau kerusakan mesin.
12. Jangan pernah meletakkan mesin peniup yang panas di atas rumput kering atau benda yang mudah terbakar.
13. Semua komponen pelindung dan alat-alat pelindung yang disertakan bersama mesin harus digunakan saat mengoperasikan mesin.
14. Jangan pernah gunakan mesin dengan knalpot dalam kondisi rusak.
2. Hindari sentuhan dengan produk minyak bumi. Jangan menghirup uap bahan bakar dari mesin. Selalu gunakan sarung tangan saat pengisian bahan bakar. Ganti dan bersihkan pakaian pelindung secara teratur.
3. Hati-hati agar tidak menumpahkan bahan bakar atau oli guna mencegah kontaminasi tanah (perlindungan lingkungan). Bersihkan mesin peniup segera setelah bahan bakar tumpah. Keringkan semua kain yang basah sebelum membuangnya dalam wadah yang tertutup layak untuk mencegah pembakaran tiba-tiba.
4. Jaga agar bahan bakar tidak mengenai pakaian Anda. Ganti pakaian Anda segera jika bahan bakar tumpah pada pakaian Anda (bahaya kebakaran).
5. Periksa tutup bahan bakar secara teratur untuk memastikan bahwa tangki bahan bakar selalu tertutup rapat.
6. Kencangkan tutup bahan bakar dengan hati-hati. Pindah lokasi mesin untuk menyalakannya kembali (paling tidak 3 meter (10 kaki) dari tempat pengisian bahan bakar).

Pemindahan

1. Matikan mesin saat dipindahkan.

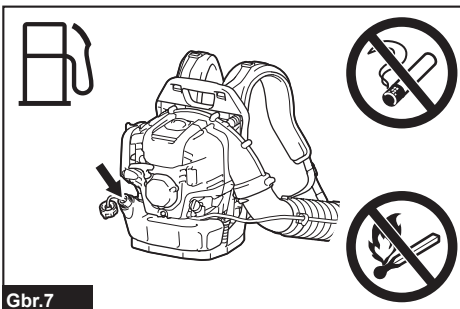


Gbr.6

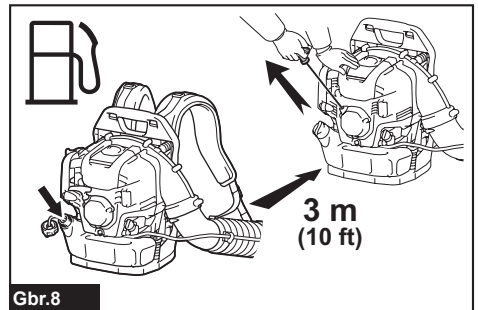
2. Posisikan mesin peniup secara aman saat pemindahan menggunakan mobil atau truk untuk mencegah bahan bakar tumpah.
3. Saat memindahkan mesin peniup, pastikan tangki bahan bakar benar-benar kosong.
4. Angkat mesin peniup dengan cara memegang gagangnya saat dibawa. Jangan menyeret mesin peniup dengan menarik pipa semprot, pipa atau komponen-komponen lainnya.
5. Pegang mesin peniup kuat-kuat selama pemindahan.
6. Saat memindahkan mesin peniup, tekuk lutut Anda dan pastikan Anda tidak mencederai pundak serta punggung Anda.

Pengisian bahan bakar

1. Matikan mesin saat pengisian bahan bakar, jauhkan dari api dan jangan merokok.



Gbr.7



Gbr.8

7. Jangan pernah mengisi bahan bakar dalam ruangan tertutup. Uap bahan bakar dapat menumpuk di permukaan tanah (risiko ledakan).
8. Pindahkan dan simpan bahan bakar hanya dalam wadah yang disetujui. Pastikan bahan bakar yang disimpan tidak berada dalam jangkauan anak-anak.
9. Jangan coba mengisi bahan bakar saat mesin masih panas atau menyala.
10. Jangan mengisi bahan bakar lebih dari jumlah yang telah ditetapkan dalam "SPESIFIKASI".

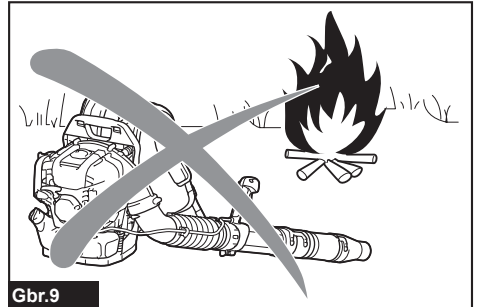
Metode pengoperasian

1. Gunakan mesin peniup hanya dalam kondisi cahaya terang dan jarak pandang yang bagus. Hati-hati terhadap area yang licin dan basah, es dan salju (risiko tergelincir), dan ruang sempit. Selalu pastikan pijakan Anda aman.
2. Jangan pernah melakukan pekerjaan di atas permukaan yang tidak stabil atau tempat yang curam.
3. Jangan pernah melakukan pekerjaan dari tangga atau tempat yang tinggi. Hal tersebut dapat mengakibatkan cedera perseorangan.

4. Untuk mengurangi risiko cedera, jangan arahkan embusan angin ke arah orang yang berada di dekat area kerja, karena tekanan tinggi dari udara yang mengalir dapat mencedera mata serta dapat meniup benda-benda kecil dengan kecepatan tinggi.
5. Jangan pernah memasukkan benda asing ke dalam asupan udara mesin atau ke dalam pipa semprot mesin peniup. Hal tersebut dapat merusak roda kipas dan dapat menyebabkan cedera serius pada operator serta orang yang berada dekat dengan area kerja karena adanya benda atau bagian mesin yang terlontar dengan kecepatan tinggi.
6. Perhatikan arah angin, jangan bekerja melawan arah angin.
7. Untuk mengurangi risiko tersandung serta kehilangan kontrol, jangan berjalan mundur saat mengoperasikan mesin.
8. Selalu matikan mesin sebelum membersihkan atau memperbaiki unit atau mengganti suku cadangnya.
9. Beristirahatlah untuk mencegah hilangnya kontrol akibat kelelahan. Kami menyarankan untuk beristirahat selama 10 sampai 20 menit tiap jam.
10. Jangan mengoperasikan mesin di dekat jendela, dll.
11. Untuk mengurangi pengaruh fisik yang disebabkan oleh getaran dan/atau kerusakan pada telinga, operasikan mesin pada kecepatan rendah jika memungkinkan dan batasi durasi pengoperasian mesin.
12. Operasikan mesin pada jam-jam yang masuk akal. Jangan gunakan mesin peniup pada pagi hari atau malam hari, yang mungkin akan mengganggu.
13. Sangat dianjurkan untuk menggunakan garu dan sapu untuk mengurangi kotoran sebelum ditiup.
14. Sebelum meniup, basahi sedikit permukaan yang berdebu atau gunakan penyemprot air bila perlu.
15. Atur panjang pipa semprot peniup sehingga aliran udara dapat mengalir dekat dengan tanah.
16. Untuk mengurangi suara, batasi jumlah peralatan yang digunakan secara bersamaan.
17. Setelah menggunakan mesin peniup dan peralatan lainnya, **BERSIHKAN!** Buang kotoran ke dalam tempat sampah.
18. Jangan mempercepat mesin lebih dari diperlukan. Benda yang tertiuip dapat menyebabkan cedera diri.
19. Knalpot akan menjadi panas sewaktu dioperasikan. Jangan sentuh knalpot yang panas, karena dapat mengakibatkan kulit terbakar.
20. Jangan gunakan mesin dalam lingkungan yang memungkinkan terjadinya ledakan, misalnya jika ada cairan, gas, atau debu yang mudah terbakar. Mesin menimbulkan bunga api yang dapat membakar debu atau uap tersebut.

Instruksi pemeliharaan

1. Ramahlah pada lingkungan. Operasikan mesin peniup dengan suara sepelan dan polusi sesedikit mungkin. Secara khusus, pastikan pengaturan karburator sudah benar.
2. Bersihkan mesin peniup secara teratur dan pastikan semua sekrup dan mur terpasang dengan kencang.
3. Jangan pernah memperbaiki atau menyimpan mesin peniup di daerah sekitar api, percikan api, dll.



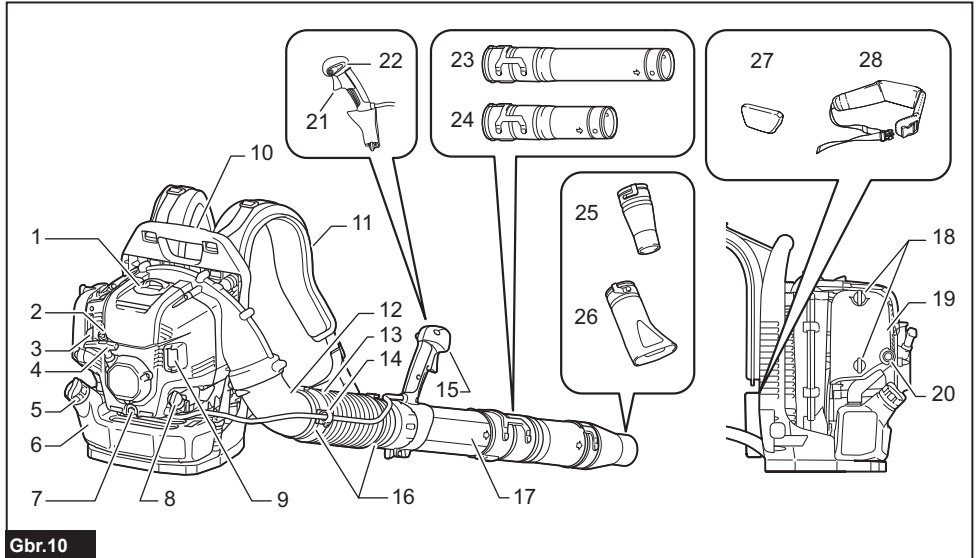
4. Selalu simpan mesin peniup di dalam ruangan terkunci berventilasi serta dengan tangki bahan bakar sudah dikosongkan.
5. Pekerjaan pemeliharaan atau perbaikan oleh pengguna dibatasi hanya pada tindakan-tindakan yang telah diuraikan dalam buku panduan ini. Semua pekerjaan lain harus dilakukan oleh Agen Servis Resmi.
6. Gunakan hanya suku cadang dan aksesoris asli yang disuplai oleh Makita. Penggunaan aksesoris dan peralatan yang tidak disetujui dapat menyebabkan kecelakaan dan cedera. Makita tidak bertanggung jawab atas segala kecelakaan atau kerusakan yang disebabkan oleh penggunaan perlengkapan atau aksesoris yang tidak disetujui.
7. Perbaikan yang salah serta pemeliharaan yang tidak layak dapat mengurangi umur peralatan dan meningkatkan risiko kecelakaan.

P3K

1. Jika terjadi kecelakaan, pastikan terdapat kotak P3K yang isinya memadai di sekitar daerah kerja. Segera ganti setiap item yang diambil dari kotak P3K.
2. Ketika meminta bantuan, berikan informasi berikut:
 - Tempat terjadinya kecelakaan
 - Apa yang terjadi
 - Jumlah orang yang terluka
 - Sifat kecelakaan
 - Nama Anda

DESKRIPSI BAGIAN-BAGIAN MESIN

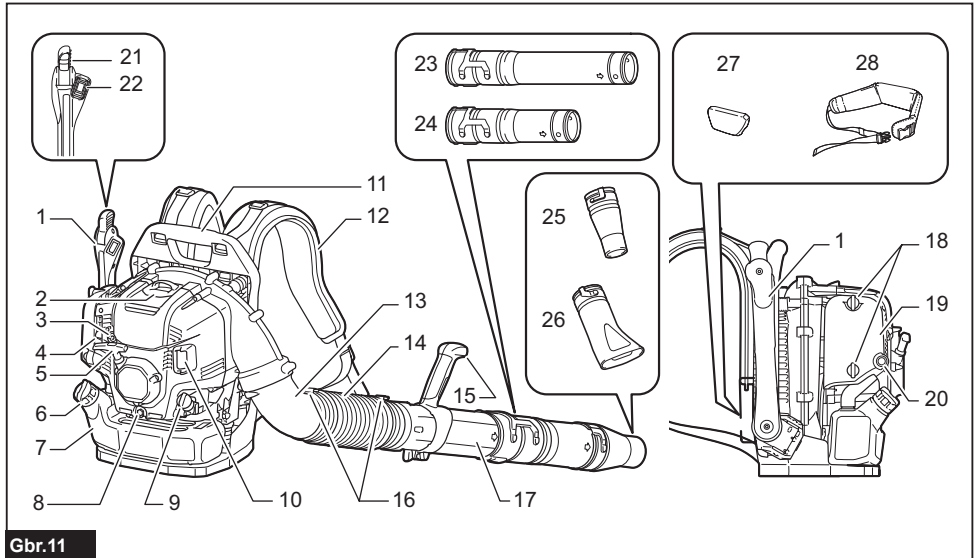
EB5300TH



Gbr.10

1	Penutup busi	9	Knalpot	17	Pipa putar	25	Pipa semprot melingkar
2	Tuas anti pembekuan	10	Gagang jinjing	18	Baut knop (pada penutup pembersih udara)	26	Pipa semprot pipih (aksesori opsional)
3	Tuas cuk	11	Tali bahu	19	Penutup pembersih udara	27	Bantalan (aksesori opsional)
4	Knop starter	12	Siku	20	Pompa utama	28	Sabuk pinggul (akesori opsional)
5	Penutup tangki bahan bakar	13	Pipa fleksibel	21	Sakelar picu katup	-	-
6	Tangki bahan bakar	14	Tempat kabel	22	Tuas kontrol berhenti	-	-
7	Baut saluran pengurasan oli	15	Gagang kontrol	23	Pipa panjang (aksesori opsional)	-	-
8	Penutup oli	16	Pita selang	24	Pipa pendek (aksesori opsional)	-	-

- Aksesori standar mungkin berbeda-beda antara satu negara dengan negara lainnya.



Gbr.11

1	Lengan kontrol	9	Penutup oli	17	Pipa putar	25	Pipa semprot melingkar
2	Penutup busi	10	Knalpot	18	Baut knop (pada penutup pembersih udara)	26	Pipa semprot pipih (aksesori opsional)
3	Tuas anti pembekuan	11	Gagang jinjing	19	Penutup pembersih udara	27	Bantalan (aksesori opsional)
4	Tuas cuk	12	Tali bahu	20	Pompa utama	28	Sabuk pinggul (akesori opsional)
5	Knop starter	13	Siku	21	Tuas katup	-	-
6	Penutup tangki bahan bakar	14	Pipa fleksibel	22	Sakelar berhenti	-	-
7	Tangki bahan bakar	15	Rakitan gagang	23	Pipa panjang (aksesori opsional)	-	-
8	Baut saluran pengurusan oli	16	Pita selang	24	Pipa pendek (aksesori opsional)	-	-

- Aksesori standar mungkin berbeda-beda antara satu negara dengan negara lainnya.

PERAKITAN

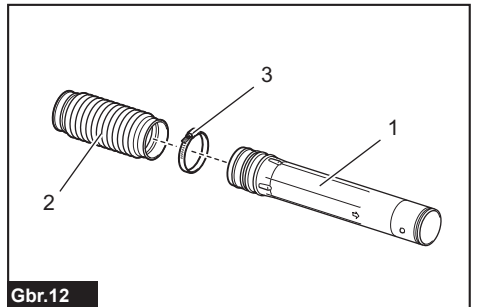
⚠PERHATIAN: Sebelum melakukan pekerjaan apa pun menggunakan mesin peniup, selalu matikan mesin dan tarik penutup busi dari busi.

⚠PERHATIAN: Nyalakan mesin hanya setelah perakitan selesai.

⚠PERHATIAN: Selalu kenakan sarung tangan pelindung.

Merakit pipa peniup

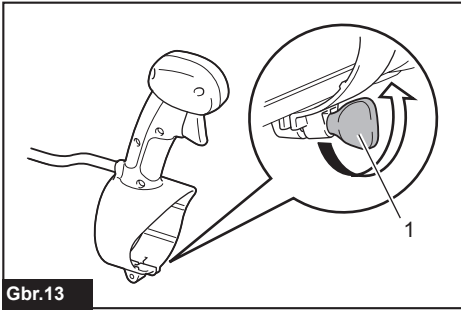
1. Masukkan pipa putar ke dalam pipa fleksibel lalu kencangkan dengan pita selang.



Gbr.12

- 1. Pipa putar 2. Pipa fleksibel 3. Pita selang

2. Kendorkan dan lepas sekrup klem.

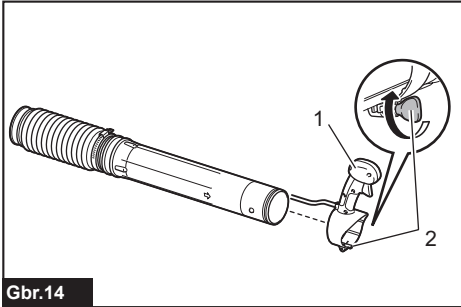


Gbr.13

► 1. Sekrup klem

Untuk model katup gas tabung, berhati-hatilah agar kabel pada gagang kontrol tidak terpelintir ketika dipasang pada pipa putar.

3. Pasang gagang kontrol / rakitan gagang di atas pipa putar dan kencangkan dengan sekrup klem.

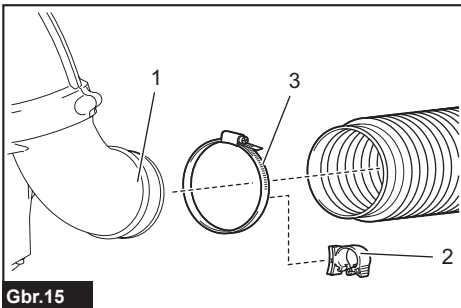


Gbr.14

► 1. Rakitan gagang kontrol / gagang 2. Sekrup klem

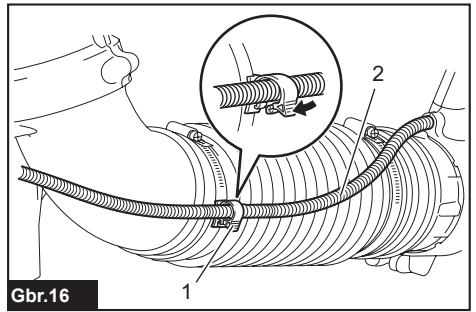
4. Pasang pipa fleksibel pada siku

Untuk model katup gas tabung: Masukkan siku ke pipa fleksibel. Pasang tempat kabel di antara pita selang dan pipa fleksibel. Kencangkan tempat kabel, pipa fleksibel dan siku dengan pita selang. Pasang kabel kontrol pada tempat kabel, kemudian tutup tempat kabel.



Gbr.15

► 1. Siku 2. Tempat kabel 3. Pita selang

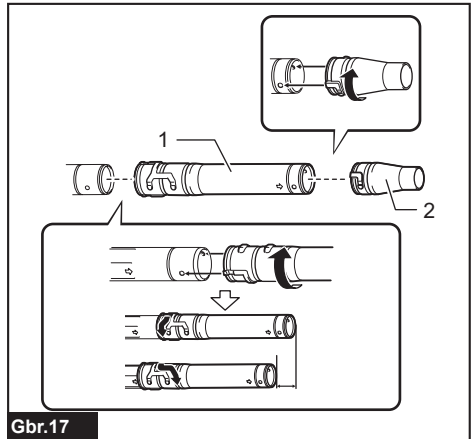


Gbr.16

► 1. Tempat kabel 2. Kabel kontrol

Untuk model katup gas panggul: Masukkan siku ke pipa fleksibel. Kencangkan pipa fleksibel dan siku dengan pita selang.

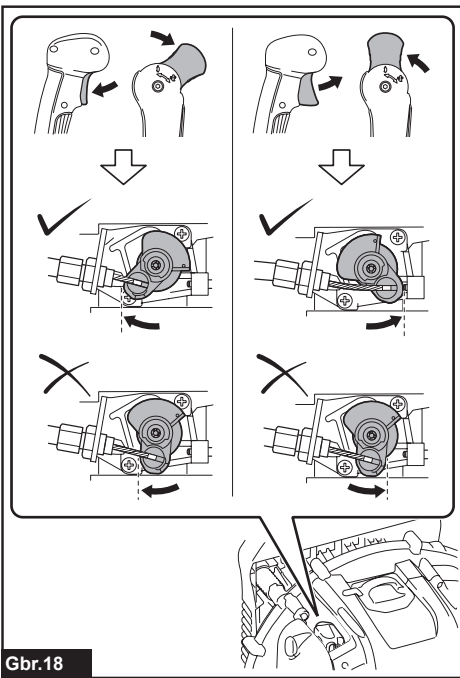
5. Pasang pipa panjang/pendek pada pipa putar. Putar sedikit pipa panjang/pendek searah jarum jam untuk mengencangkan pada tempatnya. Lalu pasang pipa semprot peniup dengan pipa panjang/pendek. Putar pipa semprot peniup searah jarum jam untuk mengencangkan pada tempatnya.



Gbr.17

► 1. Pipa panjang/pendek 2. Pipa semprot peniup

6. Pastikan semua klem sudah kencang. Periksa apakah katup gas bergerak dengan benar sejalan dengan gerakan katup.



Gbr.18

Jika katup tidak dapat sepenuhnya tertarik atau katup tidak kembali ke posisi yang benar, harap merujuk ke bagian PEMELIHARAAN untuk penyetelan katup gas.

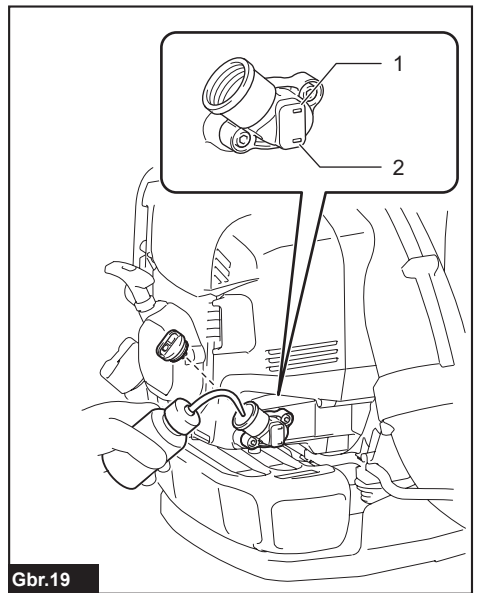
SEBELUM MENYALAKAN MESIN

Memeriksa dan mengisi oli mesin

PERHATIAN: Saat mengisi oli mesin, matikan mesin dan tunggu hingga mesin dingin. Jika tidak, kulit mungkin saja terbakar.

PEMBERITAHUAN: Penggunaan oli yang buruk akan menyebabkan penyalan yang tidak beraturan.

PEMBERITAHUAN: Hilangkan debu atau kotoran di dekat celah pengisian oli sebelum melepas tutup oli. Selain itu, jaga agar tutup oli yang dilepas tidak terkena pasir atau debu. Jika tidak, pasir atau debu yang melekat pada tutup oli tersebut dapat menyebabkan sirkulasi oli menjadi tidak beraturan atau menyebabkan keausan pada komponen mesin, yang dapat mengakibatkan masalah.



Gbr.19

► 1. Tanda batas atas 2. Tanda batas bawah

Pemeriksaan

Letakkan mesin pada permukaan yang datar dan lepaskan penutup oli.

Pastikan tingkat oli berada di antara tanda batas atas dan bawah. Jika oli tidak berada pada tingkat batas bawah, isi dengan oli baru.

Ganti oli saat sudah kotor atau berubah warna. (Harap merujuk pada "Mengganti oli mesin" untuk prosedur dan frekuensi penggantian oli.)

Pengisian ulang

Letakkan mesin pada permukaan yang datar dan lepaskan penutup oli.

Isi oli hingga mencapai batas atas pada alat tingkat oli.

Rata-rata, oli mesin perlu ditambah setiap 20 jam setelah digunakan (setiap 10 - 15 kali pengisian bahan bakar).

Oli yang dianjurkan

- Oli mesin 4 tak asli Makita
- Kelas SF bermutu API atau lebih tinggi, oli SAE 10W-30 (oli mesin mobil 4 tak)

Kapasitas oli

Kapasitas oli: kurang lebih 140 ml

PEMBERITAHUAN: Simpan mesin peniup pada posisi menghadap ke atas pada permukaan datar. Alat ukur oli tidak menunjukkan jumlah oli jika mesin peniup miring dan oli mengalir ke dalam mesin. Hal tersebut dapat mengakibatkan oli terisi terlalu banyak.

PEMBERITAHUAN: Jangan mengisi oli secara berlebihan. Oli yang berlebihan mungkin saja tumpah dari pelepas udara pembersih udara dan membuat daerah sekitar bagian mesin menjadi kotor, atau mungkin akan muncul asap putih karena oli terbakar.

Setelah mengisi oli

Bersihkan oli yang tumpah dengan kain lap.

Suplai bahan bakar

⚠PERINGATAN: Saat mengisi bahan bakar, matikan mesin dan tunggu hingga mesin dingin. Jika tidak, hal tersebut dapat mengakibatkan percikan api, nyala api, atau kulit terbakar.

⚠PERINGATAN: Suplai bahan bakar harus disimpan di tempat yang bebas dari api untuk mencegah api atau kebakaran. Jangan pernah membawa api (merokok, dll) di tempat yang berisi bahan bakar.

⚠PERINGATAN: Isikan bahan bakar di atas permukaan yang datar. Jangan mengisi bahan bakar di tempat yang tidak stabil. Isikan bahan bakar dalam keadaan cahaya terang dan pandangan yang bagus.

⚠PERINGATAN: Buka tutup tangki bahan bakar pelan-pelan. Bahan bakar mungkin akan tumpah keluar karena adanya tekanan internal.

⚠PERINGATAN: Hati-hati agar tidak menumpahkan bahan bakar. Bersihkan bahan bakar yang tumpah.

⚠PERINGATAN: Lakukan pengisian bahan bakar di tempat yang berventilasi baik.

⚠PERINGATAN: Isikan bahan bakar di tempat yang terbuka.

⚠PERINGATAN: Tangani bahan bakar dengan hati-hati.

⚠PERHATIAN: Bahan bakar yang menempel pada kulit atau mata dapat menyebabkan alergi atau iritasi. Jika terdapat ketidaknormalan fisik, konsultasikan dengan dokter sesegera mungkin.

PEMBERITAHUAN: JANGAN menuangkan oli pada tangki bahan bakar.

Bahan bakar

⚠PERINGATAN: Simpan mesin dan tangki bahan bakar di tempat yang bebas dari sinar matahari langsung.

⚠PERINGATAN: Jangan pernah menyimpan bahan bakar di dalam mobil.

Mesin yang digunakan peniup merupakan mesin empat tak. Pastikan Anda menggunakan bensin mobil (bensin biasa atau bensin premium).

PEMBERITAHUAN: Jangan pernah gunakan bensin yang dicampur dengan oli apa pun seperti oli 2 tak atau oli motor. Jika tidak, hal tersebut dapat menyebabkan akumulasi karbon yang berlebihan atau masalah mekanis.

CATATAN: Simpan bahan bakar dalam wadah khusus di area yang berventilasi dan terlindung dari cahaya. Gunakan bahan bakar dalam waktu 4 minggu. Jika tidak, bahan bakar akan mengalami penurunan mutu dalam satu hari.

Cara mengisi bahan bakar

⚠PERHATIAN: Ganti tutup tangki jika terdapat cacat atau kerusakan.

⚠PERHATIAN: Tutup tangki akan aus seiring waktu. Ganti tutup tangki setiap dua atau tiga tahun.

PEMBERITAHUAN: JANGAN mengisi bahan bakar ke dalam celah pengisian oli.

1. Kendurkan tutup tangki sedikit untuk melepaskan tekanan pada tangki.
2. Lepaskan tutup tangki, kemudian isikan bahan bakar, dengan mengeluarkan udara dengan cara memiringkan tangki bahan bakar sehingga celah pengisian bahan bakar menghadap ke atas. JANGAN mengisi bahan bakar hingga penuh.
3. Setelah mengisi bahan bakar, kencangkan tutup tangki kuat-kuat.

PENGUNAAN

Menyalakan mesin

⚠️PERINGATAN: Jangan pernah mencoba menyalakan mesin di tempat penyimpanan bahan bakar. Hal tersebut dapat menyebabkan api dan kebakaran. Saat menyalakan mesin, jaga jarak mesin paling tidak 3 meter dari tempat pengisian bahan bakar.

⚠️PERINGATAN: Gas buang dari mesin adalah racun. Jangan operasikan mesin pada tempat yang kurang berventilasi, seperti di dalam terowongan, gedung, dll. Mengoperasikan mesin pada tempat yang kurang berventilasi dapat menyebabkan keracunan akibat gas buang mesin.

⚠️PERINGATAN: Jika terdapat ketidaknormalan pada suara, bau, getaran setelah dinyalakan, matikan mesin segera lalu lakukan pemeriksaan. Jika mesin digunakan tanpa menghiraukan ketidaknormalan tersebut, kecelakaan mungkin saja terjadi.

⚠️PERINGATAN: Jangan menyentuh penutup mesin yang panas. Jika tidak, kulit mungkin saja terbakar.

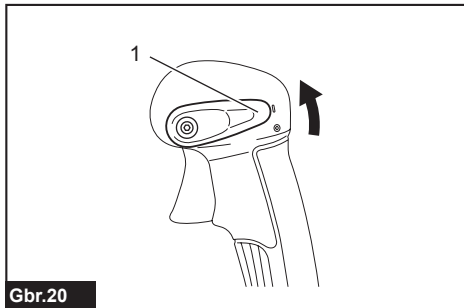
⚠️PERINGATAN: Pastikan tidak ada bahan bakar yang tumpah sebelum menyalakan mesin.

⚠️PERINGATAN: Pastikan mesin berhenti saat sakelar dialihkan ke posisi "0".

Saat mesin dingin atau setelah pengisian bahan bakar (menyalakan mesin dalam keadaan dingin)

1. Letakkan mesin peniup pada permukaan yang rata.
2. Posisi I / O

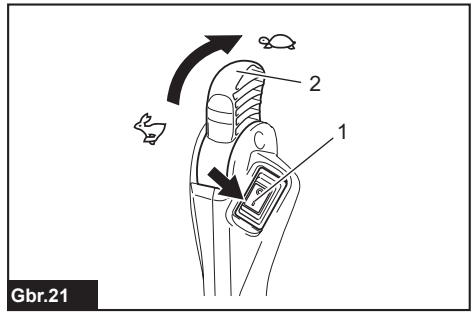
Untuk model katup gas tabung: Atur tuas kontrol ke posisi "I".



Gbr.20

- 1. Tuas kontrol berhenti

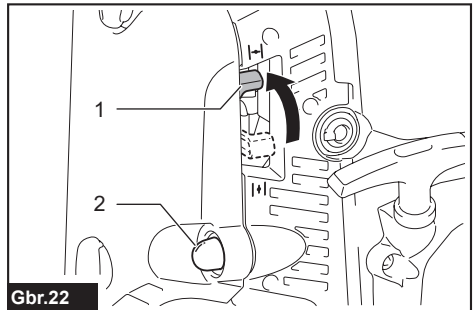
Untuk model katup gas panggul: Atur sakelar ke posisi "I". Dan, pastikan tuas katup gas diatur ke posisi kecepatan rendah.



Gbr.21

- 1. Sakelar berhenti 2. Tuas katup

3. Terus tekan pompa utama hingga bahan bakar keluar dari pompa utama.



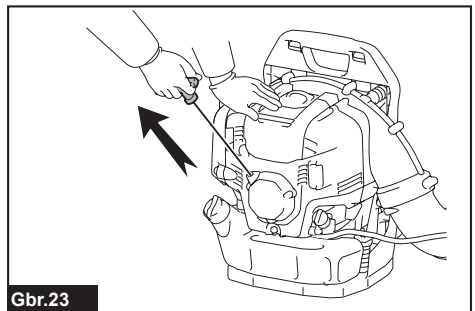
Gbr.22

- 1. Tuas cuk 2. Pompa utama

CATATAN: Secara umum, bahan bakar mengalir ke dalam karburator dengan 7 hingga 10 tekanan.

CATATAN: Bahkan jika pompa utama ditekan secara berlebihan, kelebihan bensin akan kembali ke tangki bahan bakar.

4. Angkat tuas cuk ke posisi tertutup.
5. Letakkan tangan kiri Anda pada bagian atas mesin peniup dan tarik gagang starter secara perlahan dengan tangan kanan Anda hingga kompresi terasa. Kemudian tarik gagang starter dengan kuat.



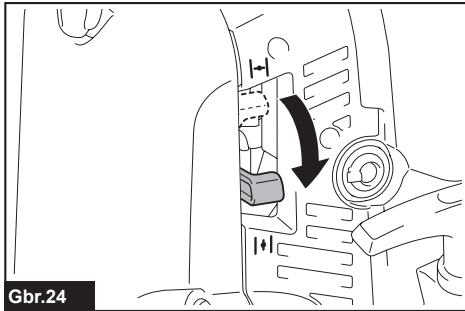
Gbr.23

PEMBERITAHUAN: Jangan pernah menarik tali hingga penuh.

PEMBERITAHUAN: Kembalikan knop starter pelan-pelan ke dalam rumahan. Jika tidak, knop starter yang terlepas dapat mengenai badan Anda atau tidak dapat menggulung kembali dengan benar.

CATATAN: Jika mesin menyala lalu berhenti, kembalikan tuas cuk ke posisi “TERBUKA” lalu tarik gagang starter beberapa kali untuk menyalakan mesin kembali.

6. Saat mesin menyala, turunkan tuas cuk ke posisi terbuka.



Gbr.24

CATATAN: Buka tuas cuk secara penuh sebelum menarik katup.

CATATAN: Pada suhu yang dingin atau saat mesin tidak cukup panas, jangan pernah membuka tuas cuk secara tiba-tiba. Jika tidak, mesin mungkin akan berhenti.

7. Panaskan mesin selama 2 hingga 3 menit dengan kecepatan sedang atau rendah.
8. Pemanasan mesin selesai saat akselerasi mesin cepat dari rpm rendah ke katup penuh telah terasa.

CATATAN: Jika operator tetap menarik gagang starter beberapa kali dengan tuas cuk berada pada posisi “TERTUTUP”, mesin akan sulit menyala karena aliran bahan bakar terlalu banyak. Jika terjadi kelebihan aliran bahan bakar, lepaskan busi dan tarik gagang beberapa kali secara cepat untuk membuang kelebihan bahan bakar. Keringkan elektroda busi.

Saat mesin telah panas (menyalakan mesin dalam keadaan panas)

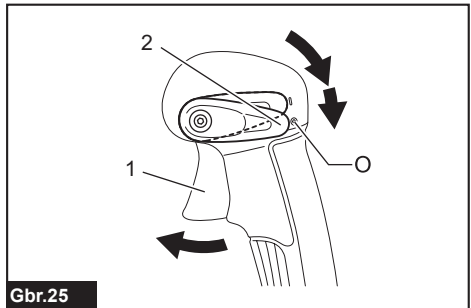
PERHATIAN: Berhati-hatilah agar tangan Anda tidak terbakar. Gunakan sarung tangan ketika Anda menyalakan mesin.

1. Letakkan mesin peniup pada permukaan yang rata.
2. Tekan pompa utama beberapa kali.
3. Pastikan tuas cuk terbuka.
4. Letakkan tangan kiri Anda pada bagian atas mesin peniup dan tarik gagang starter secara perlahan

dengan tangan kanan Anda hingga kompresi terasa. Kemudian tarik gagang starter dengan kuat.

Menghentikan mesin

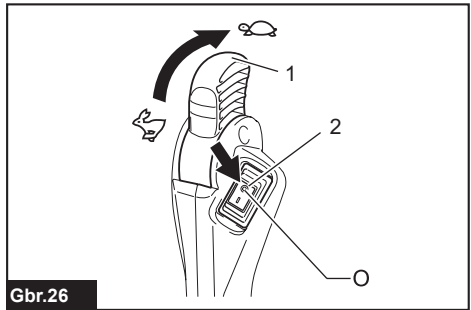
Untuk model katup gas tabung: Lepaskan sakelar picu katup dan alihkan tuas kontrol ke posisi “O”.



Gbr.25

1. Sakelar picu katup 2. Tuas kontrol berhenti

Untuk model katup gas panggul: Atur tuas katup gas hingga posisi kecepatan rendah untuk mengurangi kecepatan mesin. Kemudian, atur sakelar ke posisi “O”.



Gbr.26

1. Tuas katup 2. Sakelar berhenti

Pencegahan dari pendinginan karburator

PEMBERITAHUAN: Saat suhu lingkungan lebih tinggi dari 10°C, selalu kembalikan tuas ke pengaturan normal (tanda matahari). Jika tidak, mesin mungkin saja rusak karena kelebihan panas.

Saat suhu lingkungan rendah dan kelembapan tinggi, uap air dapat membeku di dalam karburator dan mesin akan bergerak tidak stabil (karburator membeku). Ganti pengaturan tuas anti beku sebagai berikut jika perlu.

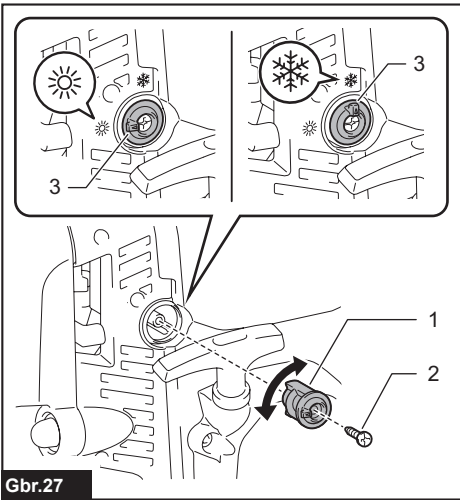
1. Lepas sekrup dan tarik tuas anti pembekuan.
2. Masukkan tuas anti pembekuan sebagai berikut:

Lingkungan yang lebih panas dari 10°C

Atur bagian tonjolan ke tanda matahari (posisi yang lebih panas).

10°C atau lingkungan yang lebih dingin

Atur bagian tonjolan ke pada tanda salju (posisi anti pembekuan).



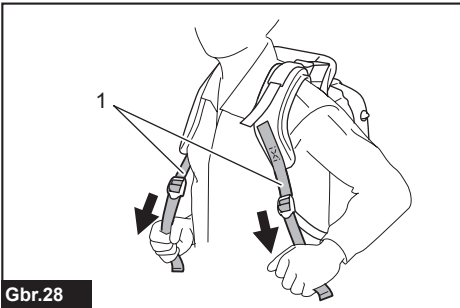
Gbr.27

► 1. Tuas anti pembekuan 2. Sekrup 3. Tonjolan

3. Kencangkan sekrup.

Menyetel pengikat bahu

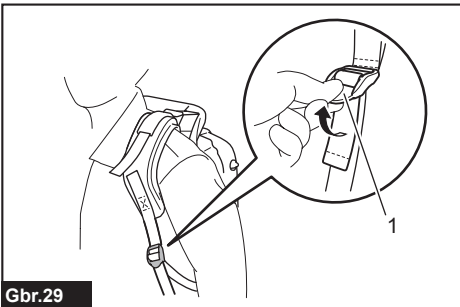
1. Setel tali bahu hingga panjangnya nyaman digunakan untuk bekerja selama menggondong peniup. Untuk mengencangkan tali, tarik ujung tali ke bawah.



Gbr.28

► 1. Tali bahu

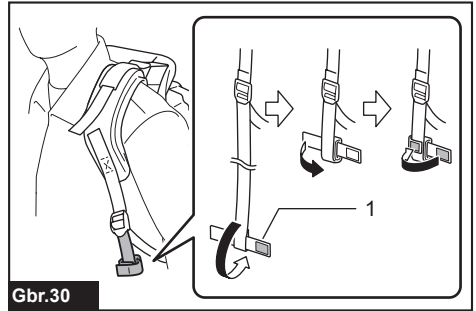
Untuk mengendurkan tali, tarik ujung tali ke atas.



Gbr.29

► 1. Pengencang

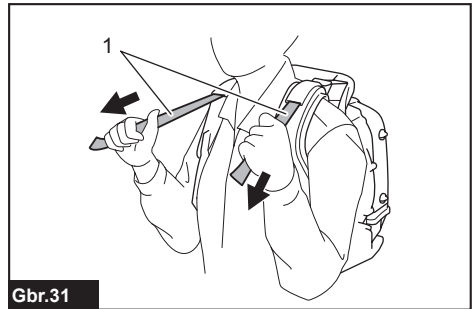
Gulung ujung tali kemudian tahan dengan menggunakan pita.



Gbr.30

► 1. Pita

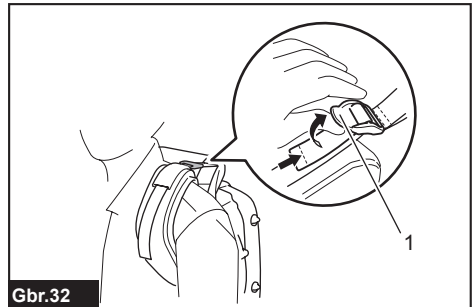
2. Tarik tali stabilisator hingga tidak ada ruang yang tersisa di antara punggung dan rumah peniup Anda. Untuk mengencangkan tali, tarik ujung tali ke bawah.



Gbr.31

► 1. Tali penstabilstabilisator

Untuk mengendurkan tali, tarik ujung tali ke atas.



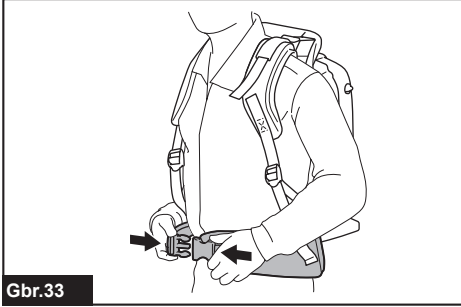
Gbr.32

► 1. Pengencang

Sabuk panggul

Pilihan Aksesori

Sabuk panggul memungkinkan operator untuk menggondong peralatan secara lebih stabil.

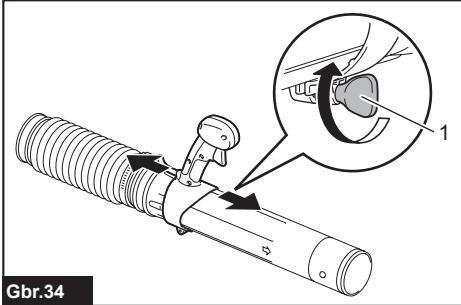


Gbr.33

⚠PERHATIAN: Pastikan untuk melepas gesper ikat pinggang sebelum menurunkan mesin peniup.

Menyetel posisi tuas kontrol

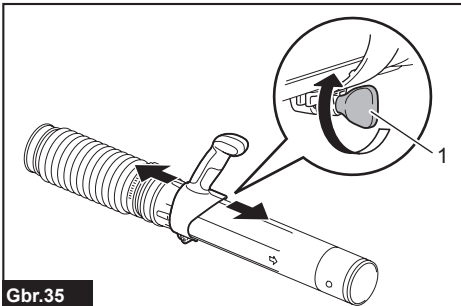
Untuk model katup gas tabung: Pindahkan gagang kontrol dengan pipa putar ke posisi yang lebih nyaman. Kemudian, kencangkan gagang kontrol dengan sekrup klem.



Gbr.34

► 1. Sekrup penjepit

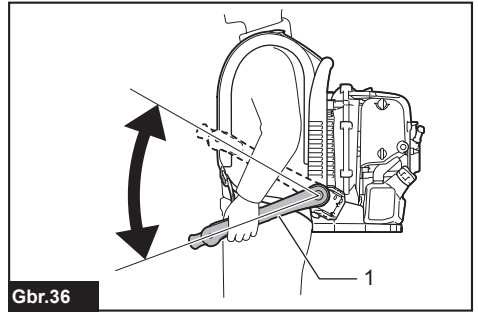
Untuk model katup gas panggul: Pindahkan rakitan gagang dengan pipa putar ke posisi yang lebih nyaman. Kemudian, kencangkan gagang dengan sekrup klem.



Gbr.35

► 1. Sekrup penjepit

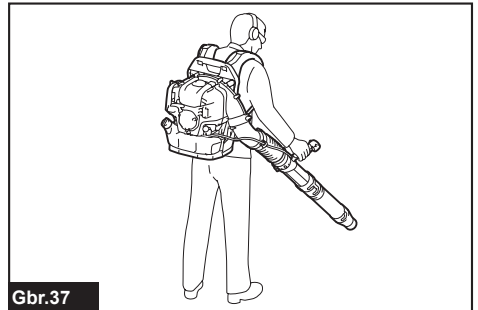
Atur sudut lengan kontrol.



Gbr.36

► 1. Lengan kontrol

Pengoperasian Mesin Peniup



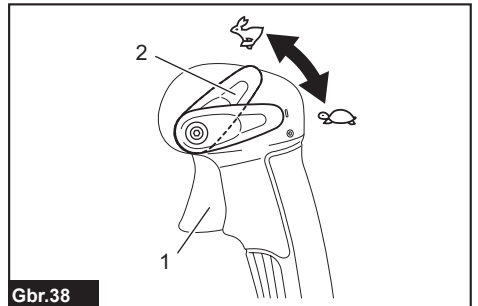
Gbr.37

1. Saat mengoperasikan mesin peniup, atur sakelar gas / tuas katup gas sehingga kekuatan angin sesuai dengan lokasi serta kondisi pekerjaan.

2. Menyetel kecepatan mesin.

Untuk model katup gas tabung: Kecepatan mesin dapat ditingkatkan dengan menarik sakelar picu katup gas. Untuk menurunkan kecepatan mesin, kendurkan sakelar picu katup gas.

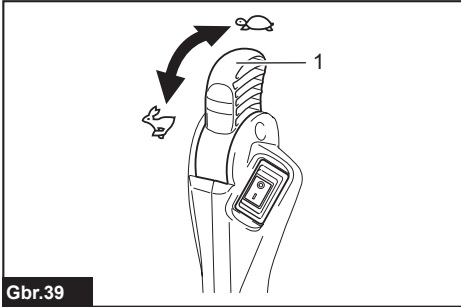
Fungsi kontrol jelajah memungkinkan operator menjaga putaran mesin agar tetap konstan tanpa harus menarik tuas picu. Untuk menurunkan kecepatan mesin, putar kontrol penghenti ke kecepatan rendah. Untuk menurunkan kecepatan mesin, putar kontrol penghenti ke kecepatan rendah.



Gbr.38

► 1. Sakelar picu katup 2. Tuas kontrol berhenti

Untuk model katup gas panggul: Untuk menurunkan kecepatan mesin, putar tuas katup gas ke kecepatan tinggi. Untuk menurunkan kecepatan mesin, putar tuas katup gas ke kecepatan rendah.



Gbr.39

▶ 1. Tuas katup

Memindahkan mesin peniup

PERHATIAN: Saat memindahkan mesin peniup, pastikan mesin dihentikan.

PEMBERITAHUAN: Jangan duduk, berdiri atau meletakkan benda yang berat di atas mesin peniup. Hal tersebut dapat merusak mesin.

PEMBERITAHUAN: Jaga mesin peniup pada posisi menghadap ke atas saat dipindahkan atau disimpan. Memindahkan atau menyimpan mesin pada posisi yang tidak menghadap ke atas dapat menyebabkan oli tumpah di dalam mesin peniup. Hal ini dapat menyebabkan kebocoran oli dan asap putih karena oli yang terbakar, serta pembersih udara mungkin menjadi kotor akibat oli.

PEMBERITAHUAN: Jangan menyeret mesin peniup saat memindahkannya. Jika tidak, rumah mesin peniup mungkin saja rusak.

PERAWATAN

PERHATIAN: Sebelum pemeriksaan atau pemeliharaan, matikan mesin dan biarkan hingga dingin. Lepaskan busi dan penutup busi. Jika tidak, operator mungkin saja mengalami luka terbakar atau cedera berat karena mesin menyala secara tiba-tiba.

PERHATIAN: Setelah pemeriksaan dan pemeliharaan, pastikan semua komponen mesin dirangkai.

Mengganti oli mesin

PERHATIAN: Unit utama mesin dan oli mesin akan tetap panas setelah mesin dihentikan. Saat mengganti oli mesin, pastikan bahwa unit utama mesin dan oli mesin telah dingin. Jika tidak, Anda tetap berisiko mengalami luka lepuh. Tunggu beberapa saat setelah menghentikan mesin agar oli mesin kembali ke tangki minyak untuk memastikan bahwa pembacaan jumlah oli akurat.

PERHATIAN: Jika oli diisi melebihi batas, oli mungkin saja menjadi kotor atau terbakar dan mengeluarkan asap putih.

PEMBERITAHUAN: Jangan pernah membuang oli mesin bekas ke tempat sampah, tanah, atau selokan. Pembuangan oli diatur oleh hukum. Untuk poin mana pun yang tidak Anda pahami, hubungi Agen Servis Resmi.

PEMBERITAHUAN: Oli akan mengalami penurunan mutu jika tidak digunakan. Lakukan pemeriksaan dan penggantian secara teratur (ganti dengan oli baru setiap 6 bulan).

Oli mesin yang mengalami penurunan mutu akan sangat mengurangi umur komponen mesin yang bergeser atau berputar. Pastikan untuk memastikan periode dan kuantitas penggantian oli mesin.

Interval penggantian

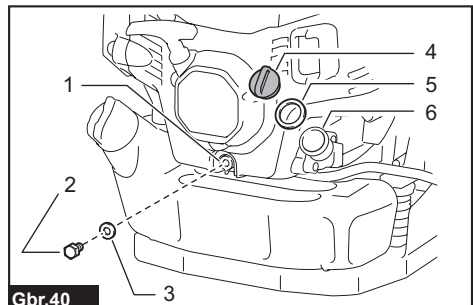
Setelah 20 jam pengoperasian pertama, selanjutnya setiap 50 jam pengoperasian

Oli yang dianjurkan

- Oli mesin 4 tak asli Makita
- Kelas SF bermutu API atau lebih tinggi, oli SAE 10W-30 (oli mesin mobil 4 tak)

Prosedur penggantian oli

Gantilah oli sebagai berikut:



Gbr.40

▶ 1. Lubang pengurasan 2. Baut saluran pengurasan oli 3. Gasket (ring pengunci aluminium) 4. Penutup oli 5. Gasket penutup oli 6. Celah oli

1. Letakkan mesin peniup pada permukaan datar.

2. Letakkan wadah penampung oli di bawah lubang pengurasan untuk menampung oli yang mengalir keluar. Wadah tersebut harus memiliki kapasitas paling tidak 140 ml agar dapat menampung semua oli.

3. Kendorkan baut penguras oli untuk mengeluarkan oli. Hati-hati agar tidak menumpahkan oli ke tangki bahan bakar atau ke komponen-komponen lain.

PEMBERITAHUAN: Hati-hati agar tidak gasket (ring pengunci aluminium) tidak hilang. Letakkan baut penguras pada lokasi yang bersih.

4. Lepas penutup oli. (Melepas penutup oli akan memudahkan pengurasan oli.)

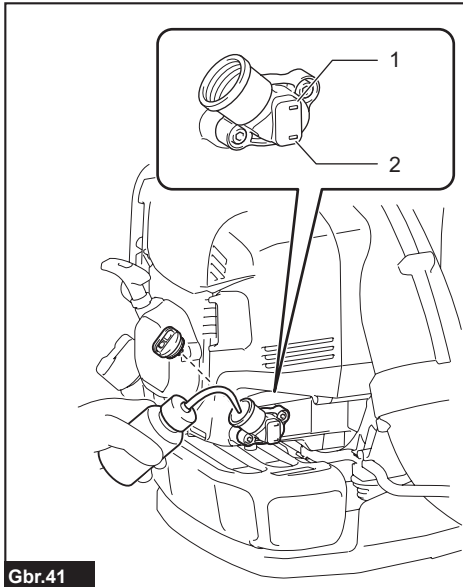
PEMBERITAHUAN: Pastikan Anda meletakkan penutup oli pada lokasi yang bersih.

5. Saat tingkat oli yang dikuras semakin berkurang, miringkan mesin peniup ke sisi lubang penguras sehingga oli dapat mengalir keluar sepenuhnya.

6. Setelah oli dikeluarkan sepenuhnya, kencangkan baut penguras oli. Jika baut tidak dikencangkan dengan benar, hal tersebut dapat menyebabkan kebocoran oli.

PEMBERITAHUAN: Jangan lupa memasang kembali gasket (ring pengunci aluminium) saat memasang kembali sumbat penguras.

7. Tuangkan kira-kira 140 ml oli ke celah pengisian oli hingga tanda batas atas.



Gbr.41

► 1. Tanda batas atas 2. Tanda batas bawah

8. Setelah mengisi oli, kencangkan penutup oli kuat-kuat untuk menghindari kebocoran oli.

PEMBERITAHUAN: Jangan lupa memasang kembali gasket penutup oli saat memasang kembali penutup oli.

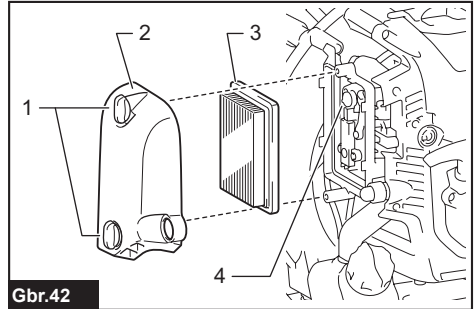
Membersihkan pembersih udara

PERINGATAN: BENDA-BENDA MUDAH TERBAKAR SANGAT DILARANG

Interval Pembersihan dan Pemeriksaan

Harian (setiap 10 jam pengoperasian)

Prosedur pembersihan



Gbr.42

► 1. Baut knop 2. Penutup pembersih udara
3. Elemen 4. Pelepas udara

1. Kendorkan baut knop.
2. Lepas penutup pembersih udara.
3. Lepas elemen dan bersihkan segala kotoran dari elemen dengan kain atau tiupan udara. Ganti elemen dengan yang baru jika rusak atau sangat kotor.

CATATAN: Elemen merupakan benda bertipe kering yang tidak boleh basah. Jangan pernah mencucinya dengan air.

4. Bersihkan oli di sekitar pelepas udara dengan lap atau kain.
5. Pasang elemen ke dalam tempat pembersih udara.
6. Pasang penutup pembersih udara dan kencangkan baut knop.

PEMBERITAHUAN: Bersihkan elemen beberapa kali sehari jika ada banyak debu yang melekat karena lingkungan berdebu.

PEMBERITAHUAN: Jika operasi mesin dilanjutkan sementara elemen tidak dibersihkan, maka oli di dalam pembersih udara mungkin saja mengalir keluar dan megakibatkan kontaminasi oli.

Memeriksa busi

⚠️PERHATIAN: Jangan menyentuh busi saat mesin menyala. Hal tersebut dapat menyebabkan sengatan listrik.

⚠️PERHATIAN: Atur tuas kontrol/sakelar ke posisi OFF "O".

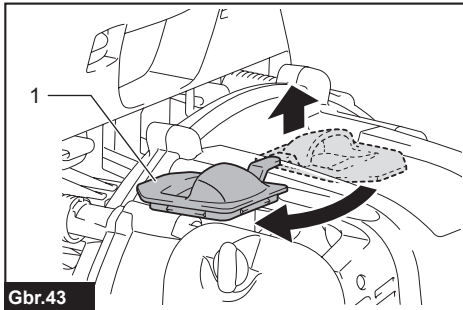
⚠️PERHATIAN: Periksa kabel busi secara teratur. Jika rusak atau robek, ganti. Hal tersebut dapat menyebabkan sengatan listrik.

PEMBERITAHUAN: Saat melepas busi, bersihkan busi dan kepala silinder terlebih dahulu, sehingga tidak ada kotoran, pasir dan benda lain yang masuk ke dalam silinder.

PEMBERITAHUAN: Lepas busi setelah mesin dingin untuk menghindari kerusakan pada lubang berulir di dalam silinder.

PEMBERITAHUAN: Pasang busi dengan benar pada lubang berulir. Jika terpasang miring, lubang berulir pada silinder akan rusak.

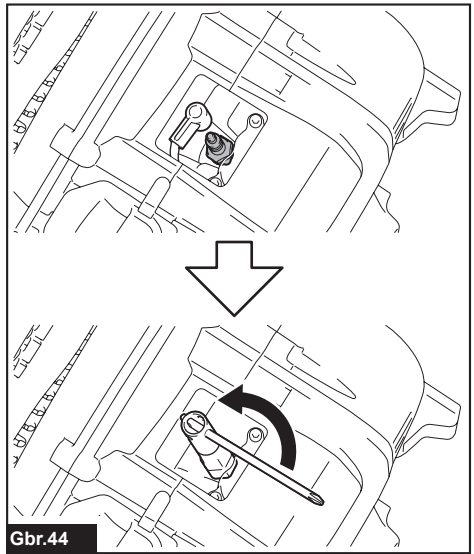
1. Untuk membuka penutup busi, Angkat lalu putar penutup sebanyak setengah putaran.



Gbr.43

- 1. Penutup busi

2. Gunakan kunci pas yang disediakan sebagai aksesoris standar untuk melepas dan memasang busi.

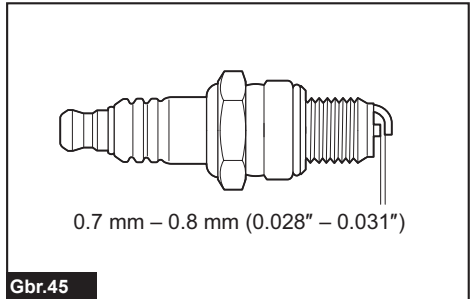


Gbr.44

3. Ruang kosong di antara dua elektroda busi adalah 0,7 hingga 0,8 mm. Setel ruang kosong yang tepat jika ruang yang ada terlalu lebar atau terlalu sempit.

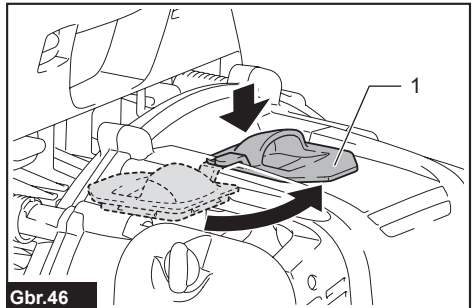
Bersihkan atau ganti busi jika terdapat kontaminasi atau tumpukan karbon.

Untuk penggantian, gunakan NGK CMR6H.



Gbr.45

4. Untuk menutup penutup busi, putar penutup sebanyak setengah putaran, lalu tekan bagian yang berpesuk.



Gbr.46

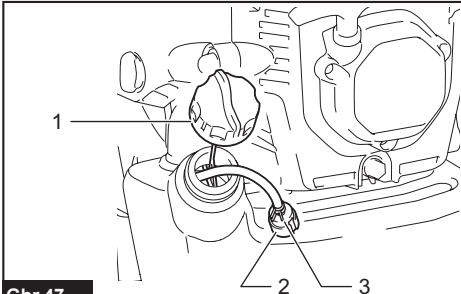
- 1. Penutup busi

Membersihkan penyaring bahan bakar

⚠️PERHATIAN: Pastikan tidak terdapat kerusakan pada tangki bahan bakar. Jika terdapat kerusakan pada tangki bahan bakar, segera minta pusat servis resmi untuk memperbaikinya.

PEMBERITAHUAN: Bersihkan penyaring bahan bakar secara teratur. Penyaring bahan bakar yang tersumbat dapat menyebabkan mesin sulit dinyalakan atau menyebabkan kegagalan peningkatan kecepatan mesin.

Periksa penyaring bahan bakar secara teratur sebagai berikut:



Gbr.47

► 1. Penutup tangki bahan bakar 2. Penyaring bahan bakar 3. Klem selang

1. Lepas tutup tangki bahan bakar, kurus bahan bakar untuk mengosongkan tangki. Periksa apakah terdapat benda asing di bagian dalam tangki. Jika ada, bersihkan benda asing tersebut.
2. Tarik penyaring bahan bakar dengan kawat melalui celah pengisian bahan bakar.
3. Jika permukaan penyaring bahan bakar terkontaminasi, bersihkan dengan bensin.

PEMBERITAHUAN: Ikuti metode yang sudah ditentukan oleh pemerintah setempat tentang cara membuang bensin bekas membersihkan penyaring bahan bakar.

PEMBERITAHUAN: Ganti penyaring bahan bakar jika kontaminasi terlalu berlebihan.

4. Setelah memeriksa, membersihkan atau mengganti, masukkan penyaring bahan bakar ke dalam pipa bahan bakar dan kencangkan dengan klem selang. Atur kembali penyaring bahan bakar di dalam tangki bahan bakar dan kencangkan penutup tangki bahan bakar kuat-kuat.

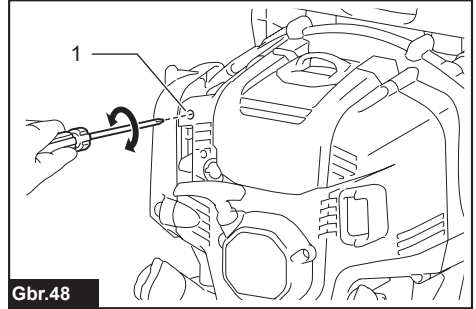
Penyetelan kecepatan statis mesin

⚠️PERHATIAN: Karburator telah disetel oleh pabrik. Jangan pernah melakukan penyetelan lain selain kecepatan statis mesin. Untuk penyetelan, mintalah bantuan dari pusat servis resmi Anda.

Putaran kecepatan rendah yang cocok adalah 2.800 min⁻¹ (rpm).

Jika kecepatan putaran perlu diubah, setel kecepatan statis mesin dengan obeng Phillips.

Jika mesin berhenti atau bekerja tidak stabil saat dalam kondisi statis, putar sekrup penyetel ke kanan, dan kecepatan statis mesin akan naik. Jika mesin mengembuskan udara terlalu kuat saat berhenti, putar sekrup penyetel ke kiri, dan kecepatan statis mesin akan turun.

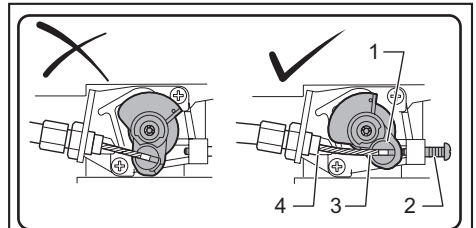


Gbr.48

► 1. Sekrup penyetel kecepatan statis

Memeriksa katup gas

Jika kabel kontrol bengkok atau tersangkut, katup gas tidak menyentuh sekrup penyetel kecepatan berhenti, dan hal tersebut membuat mesin tidak dapat memasuki kondisi statis dengan normal. Dalam kasus semacam ini, posisikan ulang kabel kontrol untuk memastikan bahwa katup dapat bergerak dengan baik.



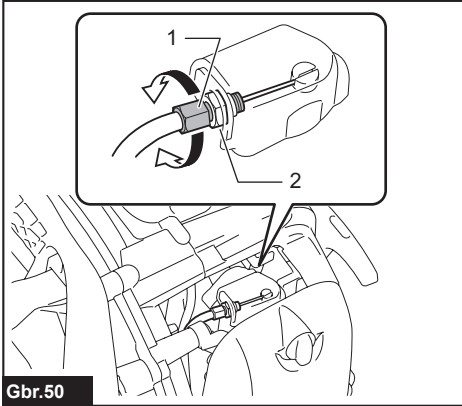
Gbr.49

► 1. Katup gas 2. Sekrup penyetel kecepatan statis 3. Kabel kontrol 4. Penghenti katup gas

Jika katup gas tidak menyentuh penghenti katup gas bahkan saat Anda menarik penuh sakelar picu gas atau saat katup gas tidak menyentuh sekrup penyetel kecepatan statis, putar baut penyetel kabel sebagai berikut:

1. Kendurkan mur pemasangan.
2. Jika katup gas tidak menyentuh penghenti katup gas, putar baut penyetel kabel berlawanan arah jarum jam.

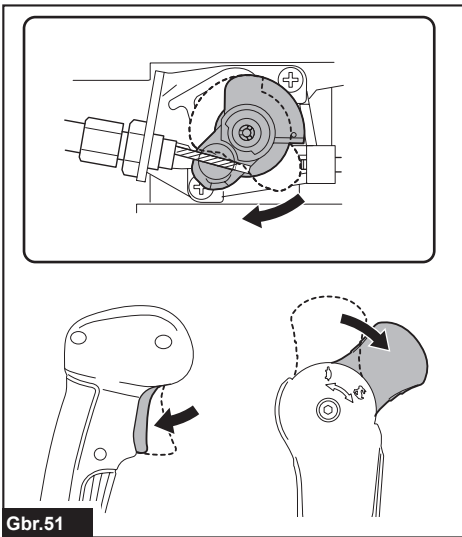
Jika katup gas tidak menyentuh sekrup penyetel kecepatan statis, putar baut penyetel kabel searah jarum jam.



Gbr.50

- 1. Baut penyetel kabel 2. Mur pemasangan

3. Kencangkan mur pemasangan untuk mengencangkan baut penyetel kabel.
4. Periksa pergerakan katup gas. Katup gas ke posisi sebagaimana yang ditunjukkan ketika sakelar picu/tuas katup gas di tarik/putar.



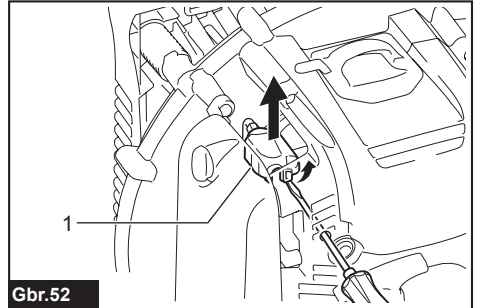
Gbr.51

Membersihkan tutup karburator

Jika penutup karburator kotor dan pemeriksaan katup gas sulit dilakukan, bersihkan penutup karburator sebagai berikut:

PEMBERITAHUAN: Jangan sekali-kali menggunakan bensin, thinner, alkohol, atau bahan-bahan sejenis untuk membersihkan penutup karburator. Jika tidak, penutup karburator mungkin saja ternoda.

1. Lewatkan obeng bercelah melalui lubang pada penutup mesin. Lepas klem penutup karburator.



Gbr.52

- 1. Penutup karburator

2. Bersihkan penutup karburator.

PEMBERITAHUAN: Gunakan kain basah untuk membersihkan penutup karburator.

3. Kembalikan penutup karburator. Pastikan klem penutup karburator berbunyi klik saat terpasang.

Memeriksa baut, mur dan sekrup, serta komponen-komponen lain

Kencangkan kembali baut, mur, dan komponen-komponen lain yang kendur.

Periksa apakah terdapat kebocoran bahan bakar dan oli.

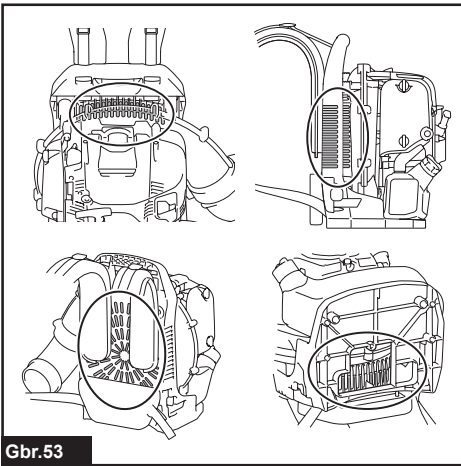
Ganti komponen mesin yang rusak dengan yang baru agar pengoperasian mesin aman.

Membersihkan mesin, saluran masuk pendingin udara

Jaga mesin agar tetap bersih dengan menyekanya dengan lap kain.

Jaga sirip silinder bersih dari debu atau kotoran. Debu atau kotoran yang melekat pada sirip dapat menyebabkan mesin mengalami panas berlebih serta piston macet.

Embusan udara dialirkan dari ventilasi saluran masuk udara. Jika aliran udara menurun selama pengoperasian, hentikan mesin dan periksa ventilasi saluran masuk udara. Bersihkan jika perlu. Sumbatan tersebut dapat menyebabkan panas berlebih serta kerusakan pada mesin.



Gbr.53

9. Masukkan bahan bakar yang telah dikuras ke dalam wadah khusus dan simpan di area yang berventilasi baik dan terlindung dari cahaya.

Mengganti gasket dan paking

Ganti gasket dan paking jika rakitan mesin dibongkar. Pekerjaan pemeliharaan atau penyetelan apa pun yang tidak dicantumkan dan diuraikan dalam buku panduan ini hanya boleh dilakukan oleh Agen Servis Resmi.

Penyimpanan

⚠️PERINGATAN: Saat menguras bahan bakar, matikan mesin dan tunggu hingga mesin dingin. Jika tidak, hal ini dapat mengakibatkan kebakaran atau cedera.

⚠️PERHATIAN: Saat Anda menyimpan mesin dalam waktu yang lama, kuras habis bahan bakar dari tangki dan karburator, serta simpan pada tempat yang kering dan bersih.

Kuras bahan bakar dari tangki dan karburator sebelum menyimpan mesin sebagai berikut:

1. Lepas tutup tangki bahan bakar, dan kuras habis bahan bakar. Bersihkan tangki secara menyeluruh jika terdapat benda asing di dalam tangki bahan bakar.
2. Cabut penyaring bahan bakar dari celah pengisian menggunakan kawat.
3. Tekan pompa utama hingga bahan bakar mengalir keluar dari sana, dan kuraslah bahan bakar yang mengalir ke dalam tangki bahan bakar.
4. Pasang kembali penyaring bahan bakar ke tangki bahan bakar, kemudian kencangkan penutup tangki bahan bakar.
5. Kemudian, lanjutkan pengoperasian mesin hingga berhenti.
6. Lepas busi, dan berikan beberapa tetes oli mesin melalui lubang busi.
7. Tarik gagang starter perlahan agar oli mesin menyebar ke mesin, kemudian pasang kembali busi.
8. Simpan mesin dengan gagang jinjing menghadap ke atas.

Lokasi kesalahan

Kesalahan	Sistem	Observasi	Penyebab
Mesin tidak menyala atau sulit menyala	Sistem penyalaan	Ada bunga api saat penyalaan.	Kesalahan pada suplai bahan bakar atau sistem kompresi, cacat mekanis.
		Tidak ada bunga api saat penyalaan.	Sakelar STOP dioperasikan, kesalahan pemasangan kabel atau korsleting, cacat pada busi atau konektor, kesalahan modul penyalaan.
	Suplai bahan bakar	Tangki bahan bakar terisi.	Posisi cuk tidak tepat, karburator cacat, jalur suplai bengkok atau tersumbat, bahan bakar kotor.
	Kompresi	Tidak ada kompresi saat ditarik.	Gasket bawah silinder cacat, seal poros engkol rusak, cincin silinder atau piston cacat, atau sealing busi tidak benar.
	Kesalahan mekanis	Starter tidak bekerja.	Pegas starter rusak, ada komponen yang rusak di dalam mesin.
Masalah saat pemanasan	-	Tangki terisi. Ada bunga api saat penyalaan.	Karburator terkontaminasi, bersihkan.
Mesin menyala namun mati	Suplai bahan bakar	Tangki terisi.	Penyetelan kecepatan statis tidak tepat, karburator terkontaminasi.
			Ventilasi tangki bahan bakar cacat, jalur suplai bahan bakar terganggu, kesalahan kabel atau sakelar STOP.
Kinerja tidak memadai	Beberapa sistem mungkin akan terpengaruh secara bersamaan	Kecepatan statis mesin kurang.	Penyaring udara terkontaminasi, karburator terkontaminasi, knalpot tersumbat, saluran gas buang di dalam silinder tersumbat.

Interval pemeriksaan dan pemeliharaan

-		Sebelum pengoperasian	Setelah pengisian bahan bakar	Harian (10jam)	50jam	200jam	600jam atau 2 tahun, mana pun yang lebih dulu	Sebelum penyimpanan
Oli mesin	Periksa / isi	○	-	-	-	-	-	-
	Ganti	-	-	-	○ (Catatan1)	-	-	-
Mengencangkan suku cadang (baut, mur)	Periksa	○	-	-	-	-	-	-
Saluran masuk udara pendingin	Bersihkan / periksa	○	-	-	-	-	-	-
Tangki bahan bakar	Bersihkan / periksa	○	-	-	-	-	-	-
	Kuras bahan bakar	-	-	-	-	-	-	○ (Catatan3)
Sakelar picu katup gas / tuas gas	Periksa fungsi	-	○	-	-	-	-	-
Menghentikan mesin	Periksa fungsi	-	○	-	-	-	-	-

-		Sebelum pengoperasian	Setelah pengisian bahan bakar	Harian (10jam)	50jam	200jam	600jam atau 2 tahun, mana pun yang lebih dulu	Sebelum penyimpanan
Penyetelan kecepatan statis mesin	Periksa / atur	-	○	-	-	-	-	-
Pembersih udara	Bersihkan	-	-	○	-	-	-	-
	Periksa / ganti jika perlu	-	-	-	-	○	-	-
Kabel kontrol	Periksa / atur	-	-	○	-	-	-	-
	Periksa / ganti jika perlu	-	-	-	-	○ (Catatan2)	-	-
Busi	Periksa / setel jarak jika perlu	-	-	○	-	-	-	-
	Bersihkan / ganti jika perlu	-	-	-	-	○	-	-
Kabel busi	Periksa / ganti jika perlu	-	-	-	-	○ (Catatan2)	-	-
Pipa bahan bakar	Periksa	-	-	○	-	-	-	-
	Ganti	-	-	-	-	○ (Catatan2)	-	-
Penyaring bahan bakar	Bersihkan / ganti jika perlu	-	-	-	○	-	-	-
Tabung oli	Periksa	-	-	-	-	○ (Catatan2)	-	-
Jarak katup (katup asupan dan katup buang)	Periksa / atur	-	-	-	-	○ (Catatan2)	-	-
Knalpot	Periksa / bersihkan	-	-	-	-	○ (Catatan2)	-	-
Ruang / katup / celah pembakaran	Periksa / bersihkan	-	-	-	-	○ (Catatan2)	-	-
Mesin	Pemeriksaan	-	-	-	-	-	○ (Catatan2)	-
Karburator	Kuras bahan bakar	-	-	-	-	-	-	○ (Catatan3)

Catatan1: Lakukan penggantian awal setelah 20jam pengoperasian.

Catatan2: Untuk pemeriksaan, mintalah bantuan Agen Servis Resmi atau toko mesin.

Catatan3: Setelah mengosongkan tangki bahan bakar, lanjutkan dengan menjalankan mesin dan menguras bahan bakar di dalam karburator.

PEMECAHAN MASALAH

Sebelum meminta perbaikan, lakukan pemeriksaan mandiri terlebih dahulu. Jika Anda menemukan masalah yang tidak dijelaskan dalam buku petunjuk ini, jangan coba membongkar mesin. Sebaliknya, hubungi Pusat Servis Resmi Makita, dan selalu gunakan suku cadang pengganti Makita untuk perbaikan.

Kondisi Tidak Normal	Kemungkinan penyebab (kerusakan fungsi)	Perbaikan
Mesin tidak menyala.	Kegagalan dalam mengoperasikan pompa utama.	Tekan 7 hingga 10 kali.
	Kecepatan tarikan tali starter rendah.	Tarik dengan kuat.
	Kekurangan bahan bakar.	Isikan bahan bakar.
	Penyaring bahan bakar tersumbat.	Bersihkan filter bahan bakar atau ganti dengan yang baru.
	Tabung bahan bakar bengkok.	Luruskan tabung bahan bakar.
	Bahan bakar buruk.	Bahan bakar yang buruk membuat mesin sulit dinyalakan. Ganti dengan yang baru. (Penggantian yang disarankan: 1 bulan)
	Pengisian bahan bakar berlebihan.	Atur tuas gas dari kecepatan sedang ke kecepatan tinggi, kemudian tarik gagang starter hingga mesin menyala. Jika mesin tetap tidak menyala, lepas busi, keringkan elektroda, kemudian pasang kembali seperti semula. Kemudian, nyalakan mesin seperti yang telah dijelaskan.
	Tutup busi terlepas.	Pasang dengan kencang.
	Busi terkontaminasi.	Bersihkan busi.
	Jarak busi tidak normal.	Sesuaikan jarak busi.
	Ketidakhormalan lain pada busi.	Ganti busi.
	Karburator tidak normal.	Tanyakan pada pusat layanan resmi kami untuk memeriksa dan memperbaikinya.
	Tidak dapat menarik knop starter.	Tanyakan pada pusat layanan resmi kami untuk memeriksa dan memperbaikinya.
	Masalah pada komponen bagian dalam mesin.	Tanyakan pada pusat layanan resmi kami untuk memeriksa dan memperbaikinya.
Mesin berhenti dengan cepat. Kecepatan mesin tidak bertambah.	Mesin kurang panas.	Lakukan operasi pemanasan mesin.
	Tuas cuk diatur ke "TERTUTUP" walaupun mesin dipanaskan.	Atur ke "TERBUKA".
	Penyaring bahan bakar tersumbat.	Bersihkan penyaring bahan bakar.
	Pembersih udara terkontaminasi atau tersumbat.	Bersihkan penyaring udara.
	Kabel kontrol terlepas.	Pasang kabel kontrol dengan kencang.
	Masalah pada komponen bagian dalam mesin.	Tanyakan pada pusat layanan resmi kami untuk memeriksa dan memperbaikinya.
Katup gas tidak kembali ke kecepatan statis mesin.	Posisi katup gas salah.	Posisikan kembali kabel kontrol. Atur posisi katup gas dengan memutar baut pengatur kabel.
Mesin tidak berhenti. ⇒ Operasikan mesin pada kecepatan statis, dan atur tuas cuk ke posisi "TERTUTUP".	Konektor terlepas.	Pasang konektor dengan kencang.
	Sistem listrik tidak normal.	Tanyakan pada pusat layanan resmi kami untuk memeriksa dan memperbaikinya.

MỤC LỤC

THÔNG SỐ KỸ THUẬT	47	TRƯỚC KHI KHỞI ĐỘNG ĐỘNG CƠ	55
CÁC HƯỚNG DẪN AN TOÀN QUAN TRỌNG	48	VẬN HÀNH	56
MÔ TẢ CÁC BỘ PHẬN	52	BẢO TRÌ	61
LẮP RÁP	53	XỬ LÝ SỰ CỐ	68





THÔNG SỐ KỸ THUẬT







Kiểu máy:		EB5300TH	EB5300WH
Loại cần bươm ga		Ống tiết lưu	Hông cần bươm ga
Khối lượng khô	không có ống thổi / với lớp đệm	8,9 kg	9,1 kg
	với ống thổi	9,8 kg - 10,0 kg	10,1 kg - 10,3 kg
Kích thước (không có ống thổi, Dài x Rộng x Cao)		320 mm x 450 mm x 475 mm	320 mm x 510 mm x 475 mm
Vận tốc khí	(với ống dài, vòi tròn)	81 m/s	
	(với ống ngắn, vòi tròn)	82 m/s	
Tỷ lệ lưu lượng khí	(với ống dài, vòi tròn)	15 m ³ /phút	
	(với ống ngắn, vòi tròn)	15 m ³ /phút	
Tốc độ động cơ tối đa		6.400 min ⁻¹	
Tốc độ chạy không tải		2.800 min ⁻¹	
Dung tích xi lanh động cơ		52,5 cm ³	
Loại động cơ		Làm mát bằng không khí, 4 kỳ, xi lanh đơn	
Nhiên liệu		Xăng ô tô	
Dung tích bình chứa nhiên liệu		1.800 cm ³	
Dầu động cơ		Cấp API loại SF hoặc cao hơn, dầu SAE 10W-30 (dầu động cơ ô tô 4 kỳ)	
Thể tích nhớt máy		140 cm ³	
Bộ chế hòa khí		Loại màng chắn	
Bugi		NGK CMR6H	
Khe hở điện cực		0,7 mm - 0,8 mm	








- Do chương trình nghiên cứu và phát triển liên tục của chúng tôi nên các thông số kỹ thuật trong đây có thể thay đổi mà không cần thông báo trước.
- Các thông số kỹ thuật có thể thay đổi tùy theo từng quốc gia.
- Khối lượng có thể khác nhau tùy thuộc vào (các) phụ kiện.

Ký hiệu

Phần dưới đây cho biết các ký hiệu được dùng cho thiết bị. Đảm bảo rằng bạn hiểu rõ ý nghĩa của các ký hiệu này trước khi sử dụng.

	Hãy cẩn thận và đặc biệt chú ý.
	Đọc tài liệu hướng dẫn.
	Bị nghiêm cấm!
	Không hút thuốc.

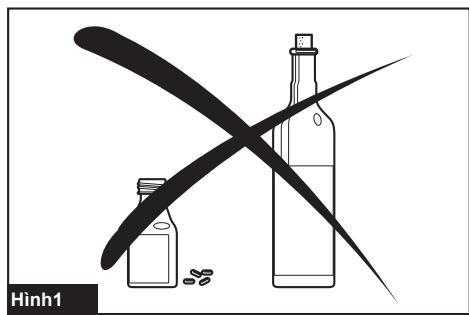
	Cấm lửa trần.
	Mang găng tay bảo hộ.
	Đeo thiết bị bảo vệ mắt và tai.
	Bề mặt nóng - Bỏ ngón tay hoặc bàn tay.
	Không để người xung quanh lại gần.
	Giữ cho khu vực vận hành không có người và thú cưng bất kỳ.

	Nhiên liệu (xăng)
	Khởi động hướng dẫn động cơ.
	Dừng động cơ.
	Sơ cấp cứu
	Bật/Khởi động
	Tắt/Dừng
	Tóc dài có thể gây ra sự cố quần rối.

CÁC HƯỚNG DẪN AN TOÀN QUAN TRỌNG

Hướng dẫn chung

- Để đảm bảo vận hành chính xác và an toàn, người sử dụng phải đọc, hiểu và làm theo tài liệu hướng dẫn này để đảm bảo quen thuộc với việc sử dụng máy thổi. Người sử dụng không nắm đầy đủ thông tin sẽ có nguy cơ gây nguy hiểm cho bản thân cũng như những người khác do sử dụng không đúng cách.
- Chúng tôi khuyến nghị chỉ cho những người có kinh nghiệm sử dụng máy thổi mượn máy.
- Luôn đưa kèm tài liệu hướng dẫn khi cho mượn máy thổi.
- Người sử dụng lần đầu nên hỏi đại lý về các hướng dẫn cơ bản để tự làm quen với việc sử dụng máy thổi.
- Trẻ em và thanh thiếu niên dưới 18 tuổi không được phép vận hành máy thổi. Người trên 16 tuổi thì có thể, tuy nhiên chỉ sử dụng dụng cụ cho mục đích đào tạo với điều kiện dưới sự giám sát trực tiếp của người huấn luyện có trình độ.
- Phải sử dụng máy thổi hết sức cẩn thận và chú ý.
- Vận hành máy thổi chỉ khi bạn đang ở trong điều kiện thể chất tốt.
- Thực hiện tất cả công việc một cách tỉ mỉ và cẩn thận. Người sử dụng phải nhận trách nhiệm đối với người khác.
- Không bao giờ sử dụng máy thổi khi đang chịu ảnh hưởng của rượu hoặc ma túy.



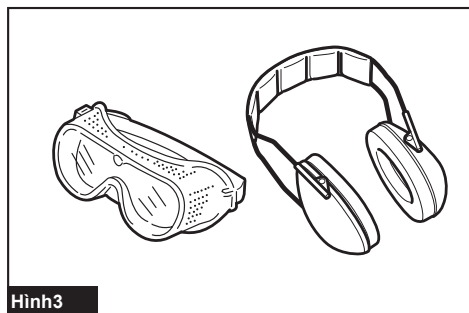
Hình 1

- Không sử dụng thiết bị khi bạn đang mệt mỏi.
- Lưu giữ các hướng dẫn này để tham khảo sau này.
- Tuân thủ và làm theo các hướng dẫn phòng chống tai nạn có liên quan do các hiệp hội thương mại và các công ty bảo hiểm ban hành. Không thực hiện bất kỳ sửa đổi nào cho máy thổi vì như vậy sẽ gây nguy hiểm cho bạn.
- Không bao giờ thực hiện sửa đổi trên thiết bị. Có thể gây tai nạn nguy hiểm hoặc thương tích cá nhân.

Thiết bị bảo hộ cá nhân



Hình 2



Hình 3

- Nên mặc quần áo thuận tiện và phù hợp, có nghĩa là bạn nên mặc quần áo vừa khít nhưng không gây vướng víu. Không nên đeo đồ trang sức, quần áo hoặc tóc dài có thể bị hút vào lỗ hút khí.

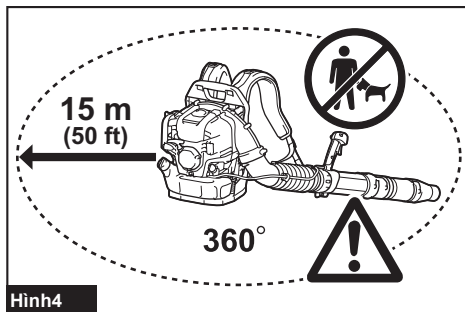
2. Để tránh chấn thương đầu, mắt, tay hoặc chân cũng như để bảo vệ thính giác, bạn phải sử dụng các thiết bị bảo vệ và quần áo bảo hộ sau đây trong khi vận hành máy thổi.
3. Quần áo phải bền và vừa sát người, nhưng cho phép di chuyển thoải mái. Tránh mặc áo khoác rộng thùng thình, quần ống loe hoặc quần dài vén gấu, khăn quàng cổ, tóc dài không buộc gọn hoặc bất cứ thứ gì có thể bị hút vào lỗ hút khí. Mặc quần áo liền thân hoặc quần dài để bảo vệ chân của bạn. Không mặc quần ngắn.
4. Nhìn chung, sản phẩm động cơ có tiếng ồn và tiếng ồn này có thể gây tổn hại thính giác của bạn. Đo đồ chấn cân âm thanh (nút bật tai hoặc mũ bảo vệ tai) để bảo vệ thính giác của bạn. Người sử dụng liên tục và thường xuyên nên kiểm tra thính giác thường xuyên.
5. Khuyến nghị sử dụng găng tay khi làm việc với máy thổi. Mang giày cứng có đế chống trượt.
6. Phải bảo vệ mắt thích hợp. Mặc dù cửa xả cách xa người vận hành, nhưng có thể xảy ra bắn tia và nảy lên trong quá trình vận hành máy thổi.
7. Không bao giờ vận hành máy thổi nếu không đeo kính bảo hộ hoặc kính an toàn đúng cách có trang bị đầy đủ phần đầu và mặt bên bảo vệ thực hiện theo EN166 và các quy định trong nước của bạn.
8. Để giảm nguy cơ thương tích liên quan đến việc hít phải bụi, hãy sử dụng mặt nạ lọc bụi trong điều kiện bụi bặm.

Mục đích sử dụng

Dụng cụ này được dùng để thổi bụi.

Khởi động máy thổi

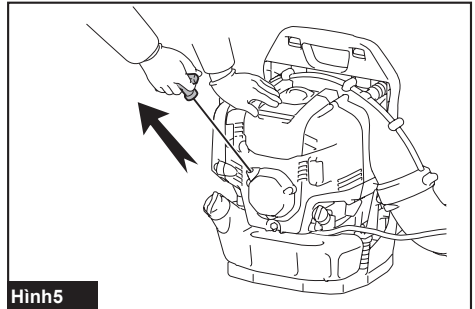
1. Hãy chắc chắn rằng không có trẻ em hoặc những người khác trong phạm vi làm việc 15 mét, đồng thời cũng phải chú ý đến bất cứ động vật nào gần đó.



Hình4

2. Trước khi vận hành, luôn luôn kiểm tra để chắc chắn là máy thổi an toàn để vận hành:
 - Kiểm tra an toàn cần bướm ga. Cần bướm ga phải được kiểm tra để hoạt động trơn tru và dễ dàng.
 - Kiểm tra chức năng thích hợp của khóa cần bướm ga.

- Kiểm tra làm sạch và làm khô tay cầm và kiểm tra chức năng của công tắc I-O. Giữ tay cầm không dính dầu và nhiên liệu.
3. Khởi động máy thổi chỉ theo các hướng dẫn. Không sử dụng bất kỳ phương pháp khác để khởi động động cơ.

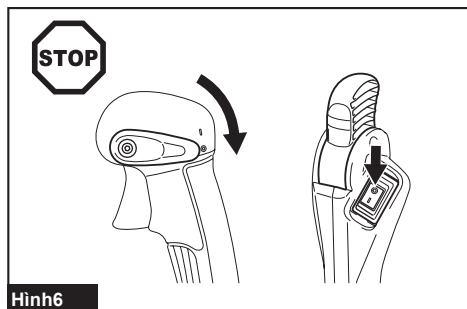


Hình5

4. Chỉ sử dụng máy thổi và các dụng cụ được cung cấp cho các ứng dụng cụ thể.
5. Khởi động động cơ máy thổi chỉ sau khi toàn bộ dụng cụ đã được lắp ráp. Chỉ được phép vận hành dụng cụ này sau khi tất cả các bộ phận thay thế thích hợp được gắn vào.
6. Tắt động cơ ngay lập tức nếu động cơ có bất kỳ vấn đề gì.
7. Khi làm việc với máy thổi, luôn xô ngón tay của bạn thật chặt quanh tay cầm, giữ tay cầm điều khiển nằm gọn giữa ngón cái và ngón trỏ của bạn. Giữ bàn tay của bạn ở vị trí này để máy của bạn luôn được kiểm soát. Hãy chắc chắn rằng tay cầm điều khiển của bạn đang trong tình trạng tốt và không ẩm ướt, dính hắc ín, dầu hoặc mỡ.
8. Luôn luôn đảm bảo an toàn, giữ chân thẳng bằng.
9. Đeo máy thổi đúng cách trên hai vai khi vận hành. Không đeo máy thổi chỉ với một dây đeo vai. Nếu không có thể dẫn đến thương tích cá nhân.
10. Vận hành máy thổi theo cách thức sao cho có thể tránh hít phải khí thải ra. Không bao giờ chạy động cơ trong phòng kín (nguy cơ ngạt thở và ngộ độc khí). Cacbon mônôxít là một chất khí không mùi. Luôn đảm bảo có thông gió đầy đủ.
11. Tắt động cơ khi nghỉ ngơi hoặc khi để máy thổi mà không giám sát. Đặt vào một vị trí an toàn tránh nguy hiểm cho người khác, gây bắt lửa vào vật liệu dễ cháy, hoặc làm hư hỏng máy.
12. Không bao giờ đặt máy thổi nóng lên cỏ khô hoặc đặt lên bất kỳ vật liệu dễ cháy nào.
13. Tất cả các bộ phận bảo vệ và các tấm chắn bảo vệ được cung cấp cho máy phải được sử dụng trong quá trình vận hành.
14. Không bao giờ vận hành động cơ với ống giảm thanh bị lỗi.

Vận chuyển

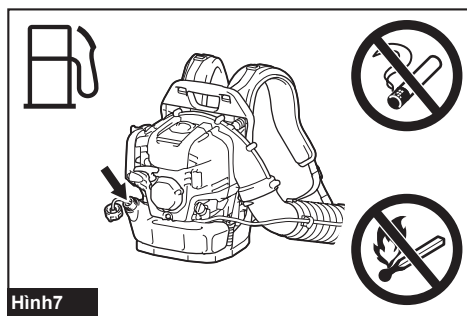
1. Tắt động cơ trong quá trình vận chuyển.



2. Đặt máy thổi ở vị trí an toàn trong khi vận chuyển bằng xe hơi hoặc xe tải để tránh rò rỉ nhiên liệu.
3. Khi vận chuyển máy thổi, đảm bảo rằng bình chứa nhiên liệu hoàn toàn trống rỗng.
4. Nâng máy thổi bằng cách xách tay cầm khi bạn mang máy. Không kéo lê máy thổi bằng vòi, ống hoặc các bộ phận khác.
5. Giữ chắc máy thổi trong lúc vận chuyển.
6. Khi vận chuyển máy thổi, khuỵu đầu gối của bạn và đảm bảo không gây tổn hại cho vai và lưng của bạn.

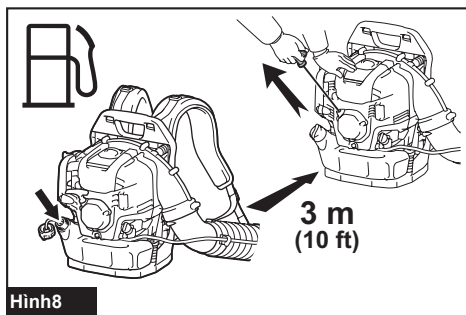
Nạp nhiên liệu

1. Tắt động cơ trong khi nạp nhiên liệu, giữ tránh xa lửa trần và không hút thuốc.



2. Tránh tiếp xúc da với các sản phẩm dầu. Không hít hơi nhiên liệu. Luôn đeo găng tay bảo vệ trong quá trình nạp nhiên liệu. Thay và làm sạch quần áo bảo hộ đều đặn.
3. Cảnh thận không làm đổ nhiên liệu hoặc dầu để ngăn ngừa ô nhiễm đất (bảo vệ môi trường). Làm sạch máy thổi ngay sau khi nhiên liệu bị đổ. Làm khô quần áo ướt trước khi vứt bỏ đúng cách, che đậy bình chứa để ngăn chặn hiện tượng tự cháy.
4. Tránh nhiên liệu tiếp xúc với quần áo của bạn. Thay quần áo của bạn ngay lập tức nếu nhiên liệu bị đổ lên (nguy cơ cháy).
5. Kiểm tra nắp nhiên liệu định kỳ và đảm bảo nắp vẫn vận hành an toàn.

6. Vận chất nắp nhiên liệu cẩn thận. Thay đổi vị trí khởi động động cơ (cách xa nơi nạp nhiên liệu ít nhất 3 mét (10 feet)).



7. Không bao giờ nạp nhiên liệu trong phòng kín. Hơi nhiên liệu tích tụ ở mặt đất (nguy cơ nổ).
8. Chỉ vận chuyển và trữ nhiên liệu trong các bình chứa đã được phê duyệt. Hãy chắc chắn rằng nhiên liệu được trữ không tiếp xúc gần trẻ em.
9. Không cố gắng nạp nhiên liệu cho động cơ đang nóng hoặc đang chạy.
10. Không nạp nhiên liệu nhiều hơn lượng được xác định trong “THÔNG SỐ KỸ THUẬT”.

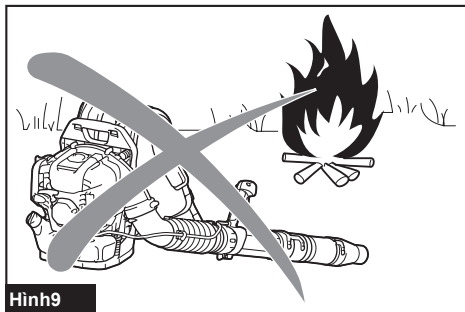
Phương pháp vận hành

1. Sử dụng máy thổi chỉ trong điều kiện ánh sáng tốt và có thể nhìn rõ. Cảnh thận với các khu vực trơn trượt hay ẩm ướt, băng và tuyết (nguy cơ trượt), và không gian hẹp. Luôn luôn đảm bảo chỗ để chân an toàn.
2. Không bao giờ làm việc trên bề mặt không bằng phẳng hoặc địa hình dốc.
3. Không thực hiện công việc khi ở trên thang hoặc nơi cao. Nếu không có thể gây ra thương tích cá nhân.
4. Để giảm nguy cơ chấn thương cá nhân, không hướng máy thổi khí vào những người xung quanh, vì áp suất cao của dòng khí có thể làm tổn thương mắt và có thể thổi bay các vật nhỏ với tốc độ cực lớn.
5. Không bao giờ nhét bất kỳ vật lạ nào vào lỗ hút khí của máy thổi vào vòi của máy thổi. Điều này sẽ làm hư hỏng bánh xe cánh quạt và có thể gây ra thương tích nghiêm trọng cho người vận hành hoặc những người xung quanh do vật hoặc các bộ phận vỡ bị văng ra ở tốc độ cao.
6. Chú ý đến hướng gió, có nghĩa là không được làm việc ngược chiều gió.
7. Để giảm nguy cơ vấp ngã và mất kiểm soát, không đi lùi về phía sau trong khi vận hành máy.
8. Luôn tắt động cơ trước khi làm sạch hoặc bảo trì thiết bị hoặc thay thế các bộ phận.
9. Hãy nghỉ ngơi để tránh mất kiểm soát do mệt mỏi gây ra. Chúng tôi khuyến nghị cứ sau một giờ nên nghỉ ngơi 10 đến 20 phút.
10. Không vận hành máy ở gần cửa sổ, v.v...

- Để giảm ảnh hưởng vật lý do rung động và/hoặc giảm tổn hại cho tai, hãy vận hành máy ở tốc độ thấp nếu có thể và hạn chế thời gian hoạt động.
- Chỉ vận hành máy trong những giờ hợp lý. Không vận hành máy thổi vào buổi sáng hoặc vào đêm muộn là khoảng thời gian có thể làm phiền đến mọi người.
- Chúng tôi khuyến nghị nên sử dụng cào và chổi để loại bỏ các mảnh vụn trước khi thổi.
- Trước khi thổi, làm ẩm sơ bề mặt trong điều kiện bụi bặm hoặc sử dụng vòi phun sương nước nếu cần thiết.
- Điều chỉnh độ dài của vòi máy thổi để luồng khí có thể tiếp xúc gần với mặt đất.
- Để giảm mức độ âm thanh, phải giới hạn số lượng các phần của thiết bị được sử dụng tại một thời điểm.
- Sau khi sử dụng máy thổi và các thiết bị khác, **HÃY LÀM SẠCH!** Vứt bỏ các mảnh vụn vào thùng rác.
- Không tăng tốc động cơ cao hơn mức cần thiết. Vật bị thổi có thể gây ra thương tích cá nhân.
- Ông giảm thanh bị nóng lên trong khi vận hành. Không chạm vào ống giảm thanh, có thể dẫn đến bỏng da.
- Không vận hành máy trong môi trường dễ cháy nổ, chẳng hạn như môi trường có sự hiện diện của các chất lỏng, khí hoặc bụi dễ cháy. Máy này sẽ tạo tia lửa điện có thể làm bụi hoặc khí bốc cháy.

Hướng dẫn bảo dưỡng

- Hãy thân thiện với môi trường. Vận hành máy thổi với còi càng ít tiếng ồn và ô nhiễm càng tốt. Đặc biệt, hãy kiểm tra việc điều chỉnh chính xác bộ chế hòa khí.
- Làm sạch máy thổi định kỳ và kiểm tra để chắc chắn là tất cả các ốc vít và đai ốc được siết chặt an toàn.
- Không bao giờ bảo trì hoặc cất giữ máy thổi trong vùng lân cận ngọn lửa, tia lửa, v.v...



Hình 9

- Luôn cất giữ máy thổi trong phòng có khóa thông thoáng và với bình xăng đã cạn sạch.
- Việc thực hiện công việc bảo dưỡng hoặc sửa chữa bởi người sử dụng bị hạn chế đối với những hoạt động như mô tả trong sách hướng

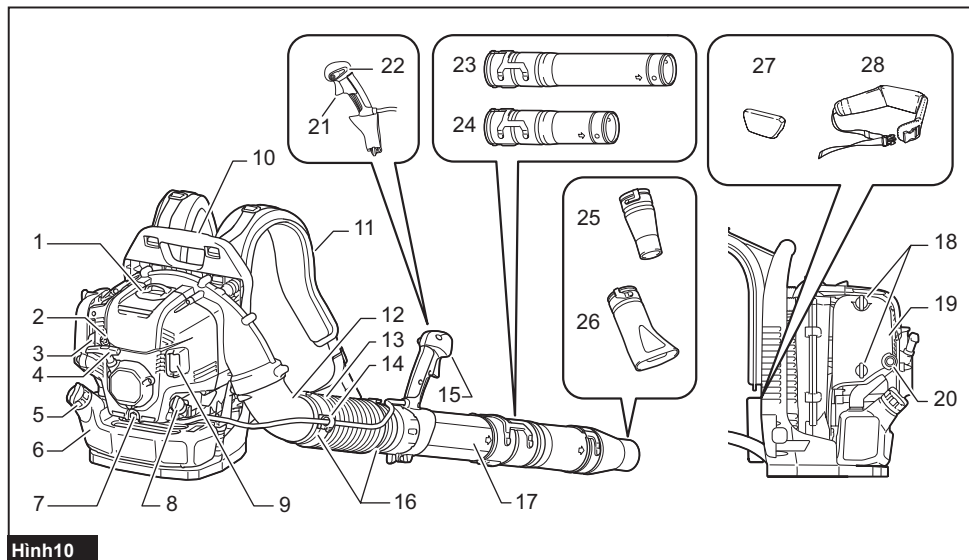
- Tất cả các công việc khác cần phải được thực hiện bởi Đại lý Dịch vụ được Ủy quyền.
- Chỉ sử dụng phụ tùng và phụ kiện chính hãng được cung cấp bởi Makita. Sử dụng các phụ kiện và dụng cụ không được phê duyệt có thể dẫn đến tai nạn và thương tích. Makita sẽ không chịu bất kỳ trách nhiệm nào về tai nạn hoặc hư hỏng gây ra bởi việc sử dụng phụ tùng hoặc phụ kiện bất kỳ không được phê duyệt.
- Sửa chữa không đúng và bảo dưỡng kém có thể làm giảm tuổi thọ của thiết bị và tăng nguy cơ tai nạn.

Sơ cấp cứu

- Trong trường hợp có tai nạn, phải đảm bảo rằng hộp sơ cấp cứu luôn có sẵn trong vùng lân cận nơi hoạt động. Thay thế bất kỳ bộ phận nào lấy từ hộp sơ cấp cứu.
- Khí yêu cầu giúp đỡ, cung cấp các thông tin sau:**
 - Nơi xảy ra tai nạn
 - Chuyện gì xảy ra
 - Số người bị thương
 - Tính chất của thương tích
 - Tên của bạn

MÔ TẢ CÁC BỘ PHẬN

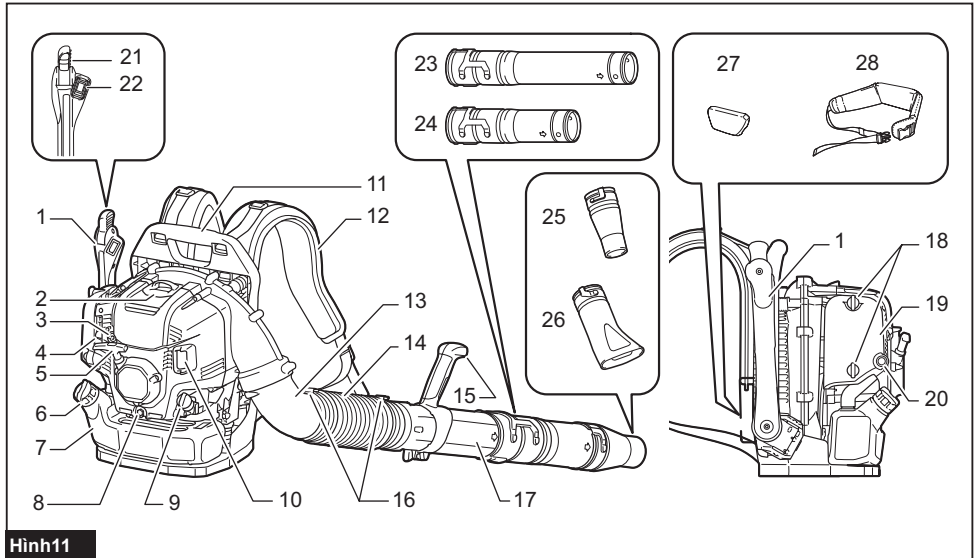
EB5300TH



Hình 10

1	Nắp bugi	9	Bộ tiêu âm	17	Ông xoay	25	Vòi tròn
2	Cần gạt chống đóng băng	10	Quai xách	18	Bu-lông nút (của nắp bộ lọc khí)	26	Vòi dẹt (phụ kiện tùy chọn)
3	Cần điều khiển nghẽn hơi	11	Dây đeo vai	19	Nắp bộ lọc khí	27	Đệm (phụ kiện tùy chọn)
4	Núm bộ khởi động	12	Trục khuỷu	20	Máy bơm môi khởi động	28	Dây đai hông (phụ kiện tùy chọn)
5	Nắp bình chứa nhiên liệu	13	Ông lò xo	21	Cò điều chỉnh tiết lưu	-	-
6	Bình chứa nhiên liệu	14	Kẹp giữ cáp	22	Cần điều khiển dừng	-	-
7	Bu-lông xả dầu	15	Tay cầm điều khiển	23	Ông dài (phụ kiện tùy chọn)	-	-
8	Nắp dầu	16	Đai nối ống	24	Ông ngắn (phụ kiện tùy chọn)	-	-

- Phụ kiện tiêu chuẩn ở mỗi quốc gia có thể khác nhau.



Hình 11

1	Tay điều khiển	9	Nắp dầu	17	Ông xoay	25	Vòi tròn
2	Nắp bugi	10	Bộ tiêu âm	18	Bu-lông nôm (của nắp bộ lọc khí)	26	Vòi dẹt (phụ kiện tùy chọn)
3	Cần gạt chống đóng băng	11	Quai xách	19	Nắp bộ lọc khí	27	Đệm (phụ kiện tùy chọn)
4	Cần điều khiển nghên hơi	12	Dây đeo vai	20	Máy bơm môi khởi động	28	Dây đai hông (phụ kiện tùy chọn)
5	Núm bộ khởi động	13	Trục khuỷu	21	Cần điều khiển tiết lưu	-	-
6	Nắp bình chứa nhiên liệu	14	Ông lò xo	22	Công tắc dừng	-	-
7	Bình chứa nhiên liệu	15	Bộ tay cầm	23	Ông dài (phụ kiện tùy chọn)	-	-
8	Bu-lông xả dầu	16	Đai nối ống	24	Ông ngắn (phụ kiện tùy chọn)	-	-

- Phụ kiện tiêu chuẩn ở mỗi quốc gia có thể khác nhau.

LẮP RÁP

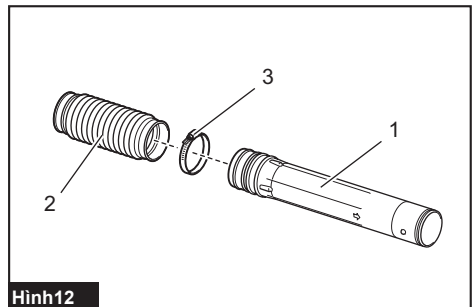
⚠ THẬN TRỌNG: Trước khi thực hiện công việc bất kỳ trên máy thổi, luôn luôn dừng động cơ lại và kéo nắp bugi ra khỏi bugi.

⚠ THẬN TRỌNG: Khởi động máy thổi chỉ sau khi đã lắp ráp hoàn chỉnh.

⚠ THẬN TRỌNG: Luôn đeo găng tay bảo vệ.

Lắp ráp các ống thổi

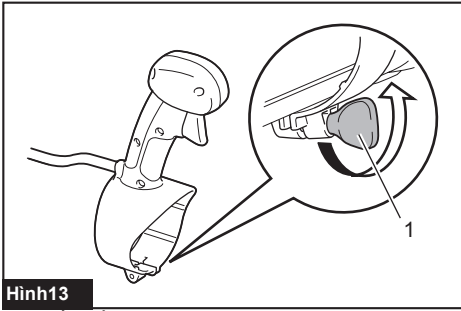
1. Lắp ống xoay vào ống mềm và siết chặt chúng với dài ống.



Hình 12

- 1. Ông quay 2. Ông mềm 3. Dài ống

2. Nới lỏng và tháo ốc xiết.

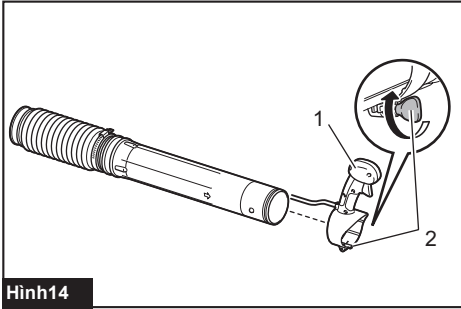


Hình 13

► 1. Ốc xiết

Đối với kiểu máy tiết lưu ống, hãy cẩn thận không để dây cáp trên tay cầm điều khiển bị xoắn lại khi gắn vào ống xoay.

3. Lắp tay cầm điều khiển/bộ tay cầm vào ống xoay và siết chặt chúng bằng ốc xiết.

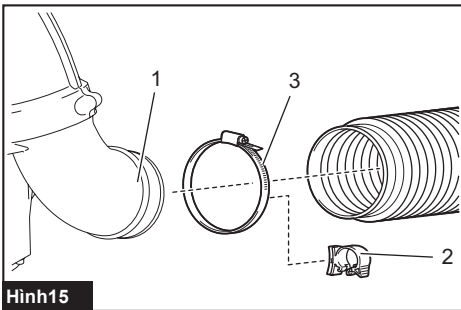


Hình 14

► 1. Tay cầm điều khiển/bộ tay cầm 2. Ốc xiết

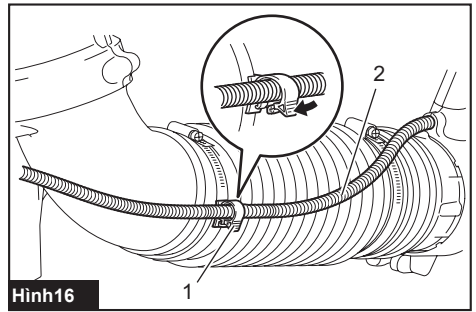
4. Gắn ống mềm vào trục khuỷu

Đối với kiểu ống tiết lưu: Lắp trục khuỷu vào ống mềm. Gắn giá đỡ dây cáp giữa dải ống và ống mềm. Siết chặt giá đỡ dây cáp, ống mềm và trục khuỷu với dải ống. Đặt cáp điều khiển trên giá đỡ dây cáp, và đóng giá đỡ dây cáp.



Hình 15

► 1. Trục khuỷu 2. Giá đỡ dây cáp 3. Dải ống

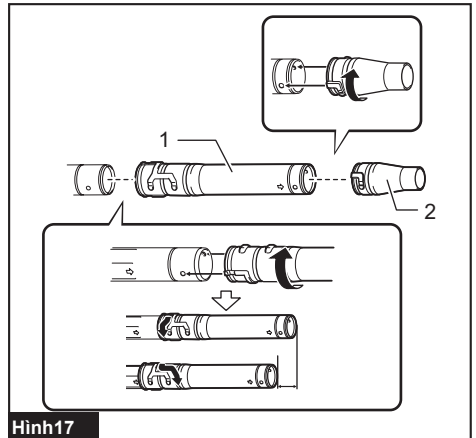


Hình 16

► 1. Giá đỡ dây cáp 2. Cáp điều khiển

Đối với kiểu ống tiết lưu bên hông: Lắp trục khuỷu vào ống mềm. Siết chặt ống mềm và trục khuỷu với dải ống.

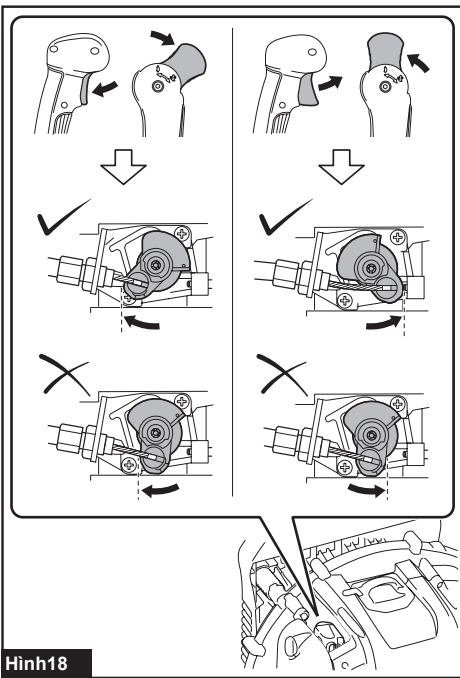
5. Gắn dải/ngắn vào ống xoay. Xoay ống dài/ngắn theo chiều kim đồng hồ đến khi khớp vào vị trí. Sau đó gắn vòi thổi với ống dài/ngắn. Xoay vòi thổi theo chiều kim đồng hồ đến khi khớp vào vị trí.



Hình 17

► 1. Ống dài/ngắn 2. Ống thổi

6. Đảm bảo tất cả bàn kẹp được siết chặt. Kiểm tra xem van bướm ga có di chuyển theo chuyển động của bộ tiết lưu đúng cách không.



Hình18

Nếu không thể kéo hoàn toàn bộ tiết lưu hoặc bộ tiết lưu không trả về đúng vị trí, tham khảo phần BẢO TRÌ về nội dung điều chỉnh van bướm ga.

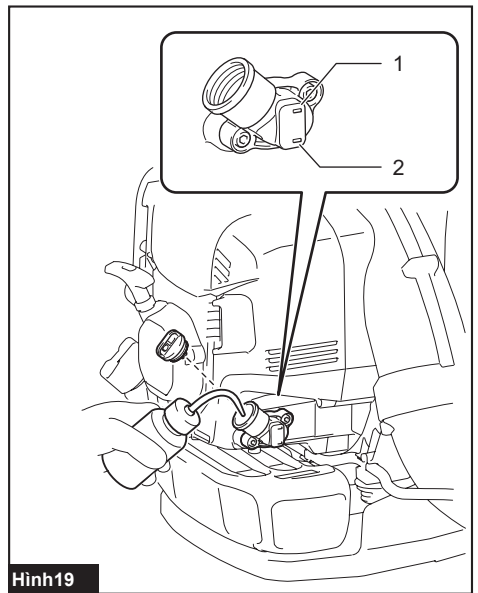
TRƯỚC KHI KHỞI ĐỘNG ĐỘNG CƠ

Kiểm tra và nạp lại dầu động cơ

⚠ THẬN TRỌNG: Khi nạp lại dầu động cơ, hãy dừng động cơ và chờ cho động cơ nguội. Nếu không có thể dẫn đến bỏng da.

CHÚ Ý: Sử dụng dầu xuống cấp sẽ gây ra khởi động bất bình thường.

CHÚ Ý: Loại bỏ bụi hoặc chất bẩn gần công nạp lại dầu trước khi tháo chốt nắp dầu. Đồng thời, phải giữ cho chốt nắp dầu đã tháo không dính cát hoặc bụi. Nếu không, bất kỳ cát hoặc bụi bám vào nắp dầu có thể gây ra lưu thông dầu bất bình thường hoặc hao mòn các bộ phận động cơ có thể sẽ dẫn đến sự cố.



Hình19

► 1. Vạch giới hạn trên 2. Vạch giới hạn dưới

Kiểm tra

Đặt máy thổi trên bề mặt phẳng và tháo nắp dầu. Đảm bảo mức dầu thuộc phạm vi giữa vạch giới hạn trên và dưới. Nếu dầu không ở dưới mức giới hạn dưới, hãy đổ thêm dầu mới vào. Thay dầu bất cứ khi dầu bị bẩn hoặc thay đổi màu sắc rõ rệt. (Tham khảo "Thay dầu động cơ" đối với quy trình và tần suất thay dầu.)

Nạp lại dầu

Đặt máy thổi trên bề mặt phẳng và tháo nắp dầu. Đổ dầu lên đến giới hạn trên của đồng hồ đo mức dầu. Trung bình, dầu động cơ cần phải được thêm vào sau mỗi 20 giờ vận hành (nạp nhiên liệu mỗi 10 - 15).

Dầu được khuyến nghị

- Dầu động cơ 4 kỳ chính hãng Makita hoặc
- Cấp API loại SF hoặc cao hơn, dầu SAE 10W-30 (dầu động cơ ô tô 4 kỳ)

Dung tích dầu

Dung tích dầu: khoảng 140 ml

CHÚ Ý: Cát giữ máy thổi ở vị trí thẳng đứng trên bề mặt phẳng. Đồng hồ đo dầu nhớt không cho biết lượng dầu chính xác nếu máy thổi bị nghiêng và dầu chảy vào động cơ. Có thể do đổ quá nhiều dầu.

CHÚ Ý: Không đổ dầu quá mức. Dầu thừa có thể tràn ra khỏi ống thông gió của bộ lọc khí làm cho các bộ phận xung quanh bị bẩn, hoặc có thể xuất hiện khói trắng do cháy dầu.

Sau khi nạp lại đầy dầu

Lau sạch đầu tràn bằng giẻ.

Cung cấp nhiên liệu

⚠ CẢNH BÁO: Khi nạp nhiên liệu, tắt động cơ và chờ cho động cơ nguội. Nếu không có thể dẫn đến bắt lửa, bốc cháy hoặc bỏng da.

⚠ CẢNH BÁO: Cung cấp nhiên liệu phải được thực hiện ở nơi không có lửa để ngăn chặn bắt lửa hoặc bốc cháy. Không bao giờ mang lửa (khí hút thuốc, v.v...) đến gần nơi cung cấp nhiên liệu.

⚠ CẢNH BÁO: Nạp nhiên liệu trên bề mặt phẳng. Không nạp nhiên liệu ở nơi không bằng phẳng. Nạp nhiên liệu trong điều kiện ánh sáng tốt và có thể nhìn rõ.

⚠ CẢNH BÁO: Mở nắp bình nhiên liệu từ từ. Nhiên liệu có thể bị tràn ra ngoài do áp suất bên trong.

⚠ CẢNH BÁO: Cân thận để không làm tràn nhiên liệu. Lau sạch nhiên liệu bị tràn ra.

⚠ CẢNH BÁO: Thực hiện cung cấp nhiên liệu trong môi trường thông thoáng.

⚠ CẢNH BÁO: Nạp nhiên liệu ở nơi sạch sẽ.

⚠ CẢNH BÁO: Xử lý nhiên liệu cẩn thận.

⚠ THẬN TRỌNG: Nhiên liệu dính vào da hoặc bắn vào mắt có thể gây dị ứng hoặc kích ứng. Khi phát hiện bất thường về thể chất, hãy tham khảo ý kiến các chuyên gia y tế ngay lập tức.

CHÚ Ý: KHÔNG để dầu trong bình chứa nhiên liệu.

Nhiên liệu

⚠ CẢNH BÁO: Giữ máy và bình chứa ở nơi thoáng mát tránh ánh nắng trời trực tiếp.

⚠ CẢNH BÁO: Không bao giờ giữ nhiên liệu trong xe hơi.

Động cơ là động cơ bốn kỳ. Đảm bảo sử dụng xăng ô tô (xăng thông thường hoặc xăng cao cấp).

CHÚ Ý: Không bao giờ sử dụng xăng pha với dầu bất kỳ như dầu 2 kỳ hoặc dầu động cơ. Nếu không, điều này sẽ gây ra sự tích tụ cacbon quá mức hoặc sự cố cơ học.

LƯU Ý: Giữ nhiên liệu trong thùng chứa đặc biệt ở khu vực thông thoáng và có bóng râm. Sử dụng nhiên liệu trong khoảng thời gian 4 tuần. Nếu không, nhiên liệu có thể xuống cấp vào một ngày nào đó.

Phương pháp nạp nhiên liệu

⚠ THẬN TRỌNG: Nếu có bất kỳ vết nứt hoặc hư hỏng trên nắp bình chứa, hãy thay thế nó.

⚠ THẬN TRỌNG: Nắp bình hao mòn theo thời gian. Thay thế nắp bình sau mỗi hai đến ba năm.

CHÚ Ý: KHÔNG để nhiên liệu ở công nạp dầu.

1. Nới lỏng nắp bình một chút để giảm bớt áp suất bình.
2. Tháo nắp bình chứa, và nạp nhiên liệu, xả khí bằng cách nghiêng bình chứa nhiên liệu để công nạp nhiên liệu hướng lên trên. KHÔNG đổ đầy nhiên liệu lên đến miệng của bình chứa.
3. Sau khi nạp nhiên liệu, vận chặt nắp bình an toàn.

VẬN HÀNH

Khởi động động cơ

⚠ CẢNH BÁO: Không có khởi động động cơ ở nơi cung cấp nhiên liệu. Có thể gây bắt lửa hoặc bốc cháy. Khi khởi động động cơ, giữ khoảng cách ít nhất 3 mét từ nơi nạp nhiên liệu.

⚠ CẢNH BÁO: Khí thải từ động cơ rất độc hại. Không vận hành động cơ ở nơi kém thông thoáng, chẳng hạn như trong tầng hầm, tòa nhà, v.v... Vận hành động cơ ở nơi kém thông thoáng có thể gây ngộ độc khí thải.

⚠ CẢNH BÁO: Trong trường hợp phát hiện các bất thường trong âm thanh, mùi, rung động sau khi khởi động, hãy tắt động cơ ngay lập tức và tiến hành kiểm tra. Nếu vận hành động cơ mà không chú ý đến bất thường như vậy, có thể sẽ xảy ra tai nạn.

⚠ CẢNH BÁO: Không chạm vào nắp động cơ nóng. Nếu không có thể dẫn đến bỏng da.

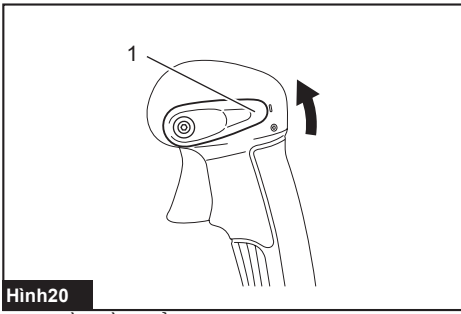
⚠ CẢNH BÁO: Đảm bảo không có rò rỉ nhiên liệu trước khi khởi động động cơ.

⚠ CẢNH BÁO: Đảm bảo động cơ dừng khi công tác dừng được thiết lập sang vị trí "O".

Khởi động động cơ nguội hoặc sau khi nạp nhiên liệu (bắt đầu nguội)

1. Đặt máy thổi trên bề mặt phẳng.
2. Vị trí I/O

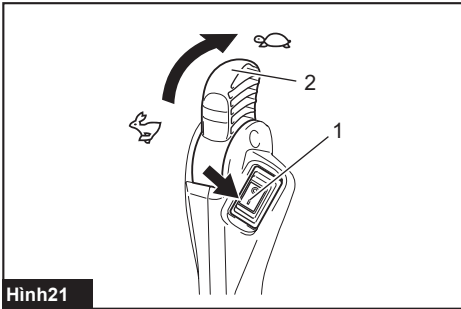
ĐỐI VỚI KIỂU ống tiết lưu: Cài đặt cần gạt điều khiển dừng sang vị trí "I".



Hình 20

► 1. Cần điều khiển dừng

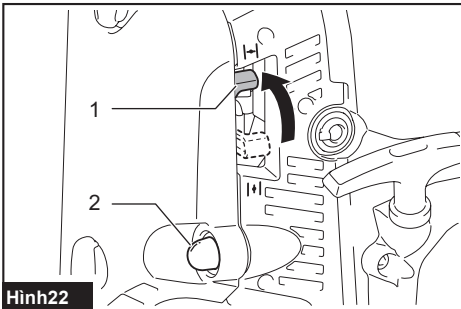
Đối với kiểu ống tiết lưu bên hông: Cài đặt công tắc dừng sang vị trí "I". Đảm bảo cần bướm ga được cài đặt sang vị trí tốc độ thấp.



Hình 21

► 1. Công tắc dừng 2. Cần bướm ga

3. Tiếp tục đẩy bơm mồi cho đến khi nhiên liệu chảy vào trong máy bơm mồi.



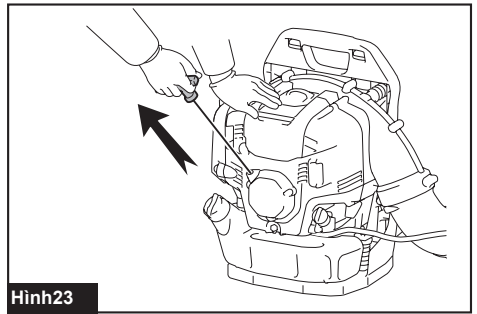
Hình 22

► 1. Cần lắp nghẽn hơi 2. Máy bơm mồi khởi động

LƯU Ý: Thông thường, nhiên liệu chảy vào bộ chế hòa khí bằng 7 đến 10 lần đẩy.

LƯU Ý: Ngay cả khi bơm mồi bị đẩy quá mức, xăng dư thừa sẽ chảy trở lại bình chứa nhiên liệu.

4. Nâng cần lắp nghẽn hơi vào vị trí đóng.
5. Đặt tay trái lên phần đầu máy thổi và dùng tay phải kéo chốt tay cầm khởi động từ từ cho đến khi bạn nhận thấy có lực nén. Sau đó kéo mạnh tay cầm khởi động.



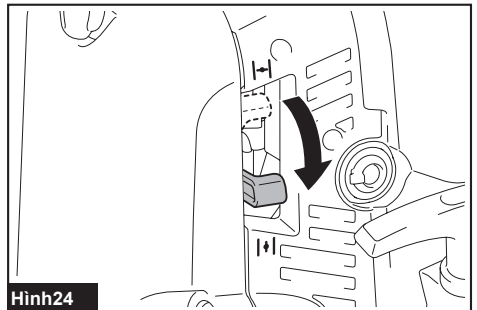
Hình 23

CHÚ Ý: Không bao giờ kéo sợi dây để khởi động hoàn toàn.

CHÚ Ý: Quay ngược núm khởi động nhẹ nhàng vào vỏ máy. Nếu không nhả núm khởi động có thể sẽ đụng vào người bạn hoặc không thể trả lùi đúng cách.

LƯU Ý: Nếu động cơ bị cháy và dừng lại, hãy quay cần lắp nghẽn hơi trở lại đến vị trí "MỞ" và kéo tay cầm khởi động nhiều lần để khởi động động cơ một lần nữa.

6. Khi khởi động động cơ, kéo cần lắp nghẽn hơi sang vị trí mở.



Hình 24

LƯU Ý: Mở hoàn toàn cần lắp nghẽn hơi trước khi kéo cần bướm ga.

LƯU Ý: Trong nhiệt độ lạnh hoặc khi động cơ không đủ ấm, không bao giờ mở cần lắp nghẽn hơi đột ngột. Nếu không, động cơ có thể dừng lại.

7. Làm nóng 2 đến 3 phút với tốc độ động cơ không tải hoặc tốc độ thấp.

8. Hoàn tất làm nóng khi gia tốc động cơ nhanh chóng từ vòng tua thấp cho đến khi cần bướm ga được gạt hoàn toàn.

LƯU Ý: Nếu người vận hành tiếp tục kéo tay cầm khởi động nhiều lần với cần lắp nghẽn hơi bên trái ở vị trí "ĐÓNG", động cơ có thể khó khởi động vì ngập nhiên liệu. Trong trường hợp ngập nhiên liệu, hãy tháo bugi và kéo tay cầm nhiều lần nhanh chóng để xả nhiên liệu dư thừa. Lau khô điện cực bugi.

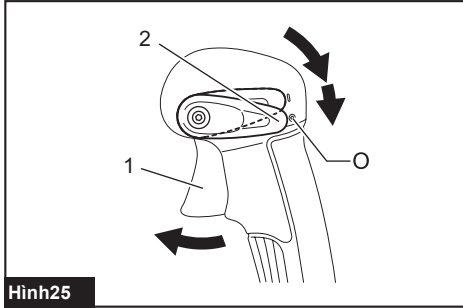
Khi động cơ ấm (bắt đầu ấm)

⚠ THẬN TRỌNG: Hãy cẩn thận tránh làm bỏng tay. Đeo găng tay khi khởi động động cơ.

1. Đặt máy thổi trên bề mặt phẳng.
2. Đẩy bơm mỡ nhiều lần.
3. Đảm bảo rằng cần lắp nghiêng hơi mờ.
4. Đặt tay trái lên phần đầu máy thổi và dùng tay phải kéo chốt tay cầm khởi động từ từ cho đến khi bạn nhận thấy có lực nén. Sau đó kéo mạnh tay cầm khởi động.

Dừng động cơ

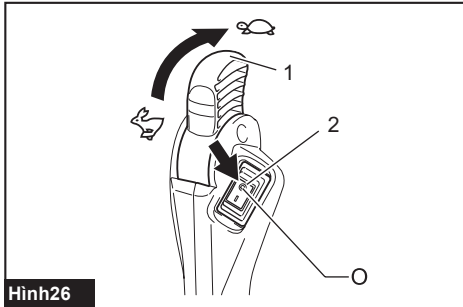
Đối với kiểu ống tiết lưu: Nhả cần khởi động tiết lưu và sau đó cài đặt cần gạt điều khiển dừng sang vị trí "O".



Hình 25

- 1. Cần khởi động tiết lưu 2. Cần điều khiển dừng

Đối với kiểu ống tiết lưu bên hông: Cài đặt cần bướm ga sang vị trí có tốc độ thấp để giảm tốc độ động cơ. Sau đó cài đặt công tắc dừng sang vị trí "O".



Hình 26

- 1. Cần bướm ga 2. Công tắc dừng

Ngăn không cho bộ chế hòa khí đóng băng

CHÚ Ý: Luôn tra cần sang cài đặt bình thường (dấu mặt trời) khi nhiệt độ môi trường cao hơn 10°C. Nếu không động cơ có thể bị hư hỏng do quá nhiệt.

Khi nhiệt độ môi trường thấp và độ ẩm cao, hơi nước có thể đóng băng bên trong bộ chế hòa khí và động cơ sẽ chuyển động không đều (bộ chế hòa khí đóng băng).

Thay đổi cài đặt của cần chống đóng băng như sau nếu cần thiết.

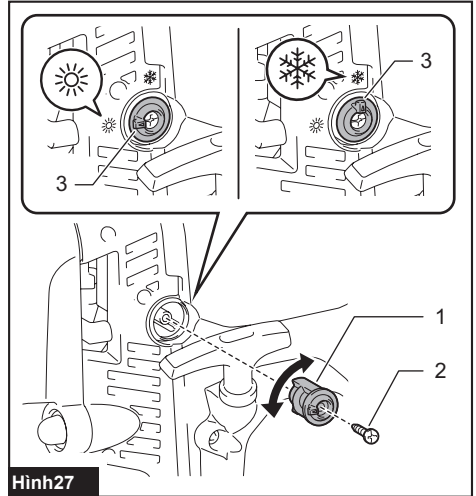
1. Tháo vít và kéo cần gạt chống đóng băng ra.
2. Lắp cần gạt chống đóng băng như sau:

Môi trường ấm hơn 10°C

Xoay núm của cần gạt sang dấu hình mặt trời (vị trí ấm hơn).

10°C hay môi trường lạnh hơn

Xoay núm của cần gạt sang dấu hình tuyết (vị trí chống đóng băng).



Hình 27

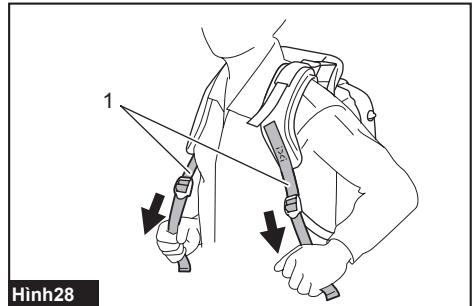
- 1. Cần gạt chống đóng băng 2. Ốc vít 3. Núm của cần gạt

3. Vặn chặt ốc vít.

Điều chỉnh dây đeo vai

1. Điều chỉnh dây đeo vai với chiều dài sao cho thoải mái để làm việc trong khi mang máy thổi.

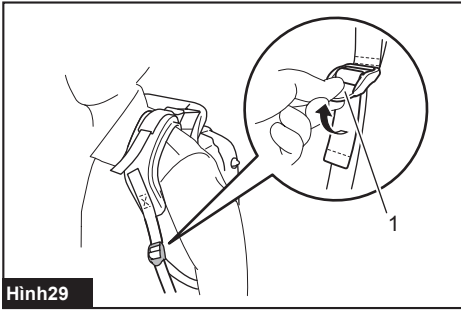
Kéo phần cuối của dây đeo xuống để xiết chặt dây đeo.



Hình 28

- 1. Dây đeo vai

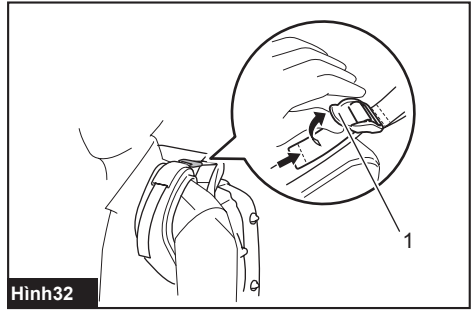
Để nới lỏng dây đeo, hãy kéo phần cuối của bộ phận kẹp lên.



Hình29

► 1. Thanh kẹp

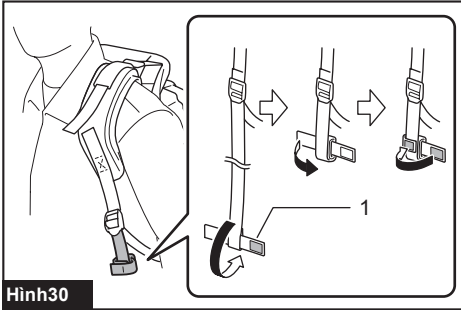
Để nới lỏng dây đeo, hãy kéo phần cuối của bộ phận kẹp lên.



Hình32

► 1. Thanh kẹp

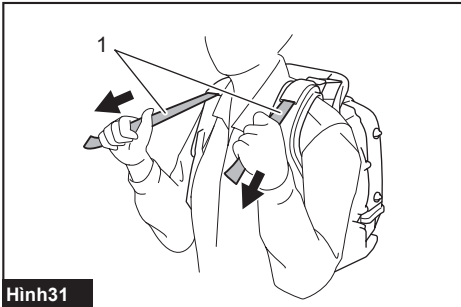
Cuộn hết dây đeo lại và dùng dây đai để giữ.



Hình30

► 1. Dây đai

2. Kéo dây đeo bộ ổn định cho đến khi không còn khoảng trống còn lại giữa lưng của bạn và vỏ máy thổi. Để xiết chặt dây đeo, hãy kéo phần cuối của dây đeo xuống.



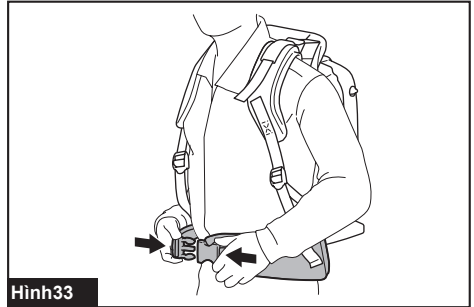
Hình31

► 1. Dây đeo bộ ổn định

Đệm hông

Phụ kiện tùy chọn

Đệm hông giúp cho người vận hành có thể mang được dụng cụ ổn định hơn.

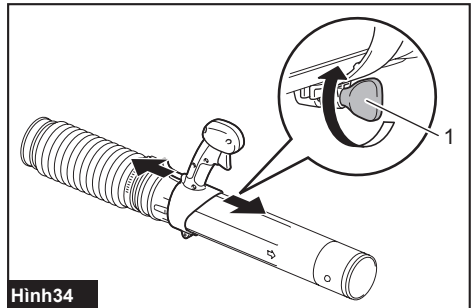


Hình33

⚠ THẬN TRỌNG: Đảm bảo rằng bạn đã tháo khóa dây đai hông trước khi bỏ máy thổi ra.

Điều chỉnh vị trí cần điều khiển

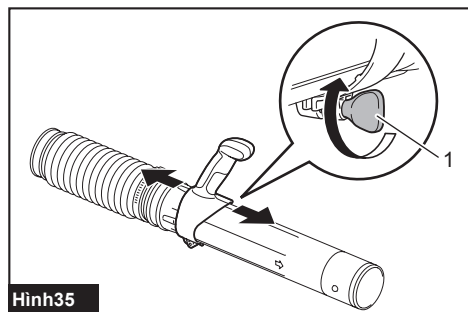
Đối với kiểu tiết lưu ống: Di chuyển tay cầm điều khiển dọc theo ống xoay đến vị trí thoải mái nhất. Sau đó vận chặt tay cầm điều khiển bằng ốc xiết.



Hình34

► 1. Ốc xiết

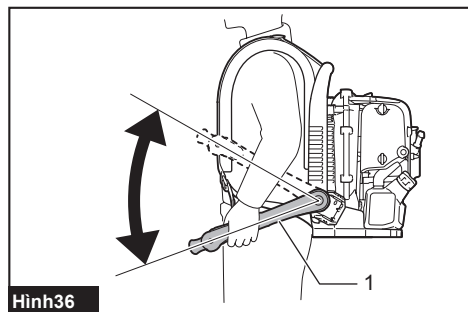
Đối với kiểu tiết lưu hông: Di chuyển bộ tay cầm dọc theo ống xoay đến vị trí thoải mái nhất. Sau đó vặn chặt tay cầm bằng ốc xiết.



Hình 35

► 1. Ốc xiết

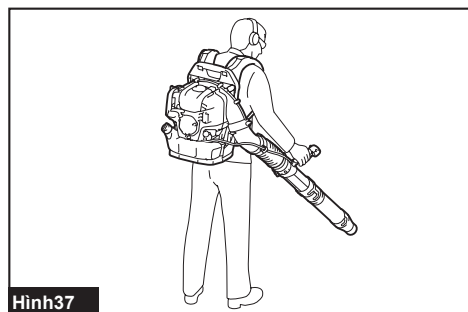
Điều chỉnh góc của tay cầm điều khiển.



Hình 36

► 1. Tay điều khiển

Vận hành máy thổi



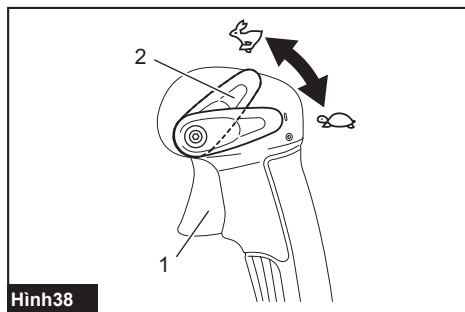
Hình 37

1. Trong khi vận hành máy thổi, điều chỉnh cần khởi động tiết lưu/cần bướm ga để lực gió phù hợp với vị trí và điều kiện làm việc.

2. Điều chỉnh tốc độ động cơ.

Đối với kiểu ống tiết lưu: Tốc độ động cơ tăng lên bằng cách kéo cần khởi động tiết lưu. Để giảm tốc độ động cơ, hãy nới lỏng cần khởi động tiết lưu.

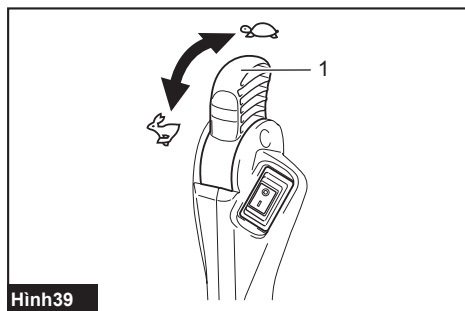
Chức năng kiểm soát hành trình cho phép người vận hành duy trì một tốc độ động cơ không đổi mà không cần kéo cần khởi động. Để tăng tốc độ động cơ, hãy xoay cần kiểm soát dừng sang tốc độ cao. Để giảm tốc độ động cơ, hãy xoay cần kiểm soát dừng sang tốc độ thấp.



Hình 38

► 1. Cần khởi động tiết lưu 2. Cần điều khiển dừng

Đối với kiểu ống tiết lưu bên hông: Để tăng tốc độ động cơ, hãy xoay cần bướm ga sang tốc độ cao. Để giảm tốc độ động cơ, hãy xoay cần bướm ga sang tốc độ thấp.



Hình 39

► 1. Cần bướm ga

Vận chuyển máy thổi

⚠ THẬN TRỌNG: Khi vận chuyển máy thổi, hãy đảm bảo dừng động cơ.

CHÚ Ý: Không ngồi hoặc đứng trên máy thổi hoặc đặt vật nặng lên máy thổi. Điều này có thể làm hư hỏng máy.

CHÚ Ý: Duy trì máy thổi ở vị trí dựng đứng khi vận chuyển hoặc cất giữ. Việc vận chuyển hoặc cất giữ ở vị trí không dựng đứng có thể gây tràn dầu trong động cơ máy thổi. Điều này có thể dẫn đến rò rỉ dầu và khói trắng từ dầu đốt, và bộ lọc khí có thể trở nên bẩn bởi dầu.

CHÚ Ý: Không kéo lê máy thổi khi vận chuyển. Nếu không vỏ máy thổi có thể bị hư hỏng.

BẢO TRÌ

⚠ THẬN TRỌNG: Trước khi kiểm tra và bảo dưỡng, hãy dừng động cơ và để cho động cơ nguội. Tháo bugi và nắp cắm. Nếu không người vận hành có thể bị bỏng hoặc thương tích nghiêm trọng do vô tình khởi động máy.

⚠ THẬN TRỌNG: Sau khi kiểm tra và bảo dưỡng, hãy đảm bảo rằng tất cả các bộ phận đã được lắp ráp.

Thay dầu động cơ

⚠ THẬN TRỌNG: Thiết bị chính của động cơ và dầu động cơ vẫn còn nóng ngay sau khi động cơ vừa dừng lại. Hãy đảm bảo rằng thiết bị chính của động cơ và dầu động cơ nguội hoàn toàn khi thay dầu động cơ. Nếu không, có nguy cơ gây bỏng. Để một khoảng thời gian vừa đủ sau khi dừng động cơ để cho dầu động cơ trở về thùng chứa dầu nhằm đảm bảo đọc chính xác lượng dầu.

⚠ THẬN TRỌNG: Nếu dầu vượt hơn mức giới hạn, dầu có thể bị bắn hoặc có thể bắt lửa với khói trắng.

CHÚ Ý: Không bao giờ được bỏ dầu động cơ thay thế lẫn vào trong rác, đất hoặc nước thải. Việc thải bỏ dầu được điều chỉnh bởi pháp luật. Trong quá trình thải bỏ, luôn luôn tuân theo các luật lệ và quy định liên quan. Đối với bất kỳ điểm gì còn chưa rõ, hãy liên hệ Đại lý Dịch vụ được Ủy quyền.

CHÚ Ý: Dầu sẽ bị xuống cấp ngay cả khi không sử dụng. Thực hiện kiểm tra và thay dầu đều đặn (thay dầu mới mỗi 6 tháng).

Dầu động cơ bị xuống cấp sẽ rút ngắn tuổi thọ của các bộ phận trượt và quay với mức độ lớn. Đảm bảo kiểm tra thời gian và số lượng thay thế.

Khoảng thời gian thay thế

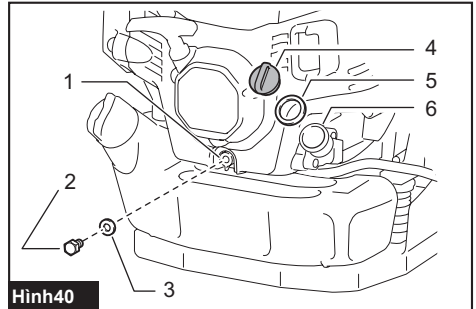
Sau 20 vận hành đầu tiên, hãy thực hiện thay dầu sau mỗi 50 giờ vận hành

Dầu được khuyến nghị

- Dầu động cơ 4 kỳ chính hãng Makita hoặc
- Cấp API loại SF hoặc cao hơn, dầu SAE 10W-30 (dầu động cơ ô tô 4 kỳ)

Quy trình thay dầu

Thay dầu như sau:



Hình 40

► 1. Lỗ xả 2. Bu-lông xả dầu 3. Miếng đệm (vòng đệm nhôm) 4. Nắp dầu 5. Miếng đệm nắp dầu 6. Cổng dầu

1. Đặt máy thổi xuống trên một bề mặt bằng phẳng.
2. Đặt một thùng chứa dầu thải dưới lỗ xả để hứng dầu khi dầu chảy ra. Thùng chứa phải có dung lượng tối thiểu 140 ml để hứng toàn bộ dầu.
3. Vặn lỏng các bu-lông xả dầu để cho dầu chảy ra. Cần thận không để dầu vào trong bình chứa nhiên liệu hoặc các bộ phận khác.

CHÚ Ý: Cẩn thận không để mất miếng đệm (vòng đệm nhôm). Đặt bu-lông xả dầu ở vị trí sao cho bu-lông không bị bắn.

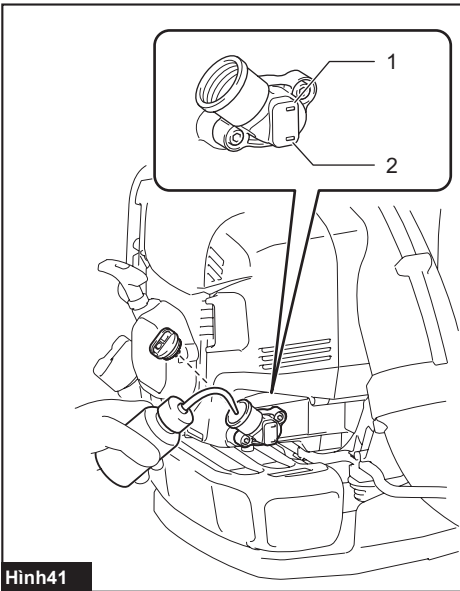
4. Tháo nắp dầu. (Việc tháo nắp dầu cho phép dầu chảy ra một cách dễ dàng.)

CHÚ Ý: Đảm bảo đặt nắp dầu xuống vị trí sao cho bu-lông không bị bắn.

5. Khi mức dầu đã đang chảy ra giảm xuống, hãy nghiêng máy thổi sang phía chỗ xả để dầu chảy hết ra ngoài.
6. Sau khi dầu đã hoàn toàn chảy ra, vặn chặt các-bu lông xả dầu một cách chắc chắn. Nếu bu-lông không được xiết chặt thật chặt, có thể dẫn đến rò rỉ dầu.

CHÚ Ý: Đừng quên đặt miếng đệm (vòng đệm nhôm) trở lại khi gắn lại nút xả.

7. Đổ khoảng 140 ml dầu vào cổng nạp lại dầu lên đến vạch giới hạn trên.



Hình41

► 1. Vạch giới hạn trên 2. Vạch giới hạn dưới

8. Sau khi nạp đầy dầu, xiết chặt nắp dầu một cách an toàn để ngăn không cho rò rỉ dầu.

CHÚ Ý: Đừng quên đặt miếng đệm nắp dầu trở lại khi gắn lại nắp dầu.

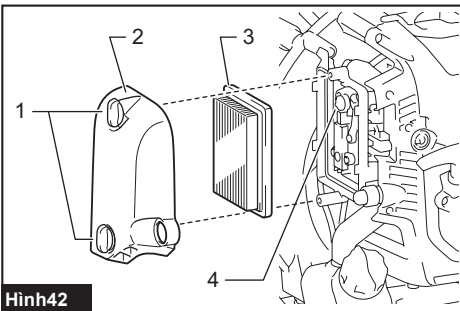
Làm sạch bộ lọc khí

⚠CẢNH BÁO: NGHIÊM CẤM NHỮNG THỨ ĐỀ CHÁY

Khoảng thời gian Làm sạch và Kiểm tra

Hàng ngày (mỗi 10 giờ vận hành)

Quy trình làm sạch



Hình42

► 1. Bu-lông nút 2. Nắp bộ lọc khí 3. Linh kiện 4. Ống thông gió

1. Vận lỏng bu-lông nút.
2. Tháo nắp bộ lọc khí.

3. Tháo linh kiện và làm sạch các vết bẩn khỏi linh kiện bằng miếng vải hoặc thổi khí. Thay thế linh kiện bằng một linh kiện mới nếu linh kiện bị hư hoặc rất bẩn.

LƯU Ý: Linh kiện là loại khô và không nên để bị ướt. Không bao giờ được rửa bằng nước.

4. Lau sạch dầu xung quanh ống thông gió bằng một miếng giẻ hoặc vải.

5. Lắp linh kiện vào vỏ bộ lọc khí.

6. Gắn nắp đậy bộ lọc khí và vặn chặt các bu-lông nút.

CHÚ Ý: Làm sạch linh kiện nhiều lần trong ngày, nếu bụi bám chặt vào linh kiện quá mức do môi trường bụi bặm.

CHÚ Ý: Nếu tiếp tục vận hành với linh kiện chưa dọn sạch dầu, dầu trong bộ lọc khí có thể rơi bên ngoài, dẫn đến ô nhiễm dầu.

Kiểm tra bugi

⚠THẬN TRỌNG: Không chạm vào bugi nếu động cơ đang chạy. Nếu không có thể gây ra điện giật.

⚠THẬN TRỌNG: Cài đặt cần kiểm soát dừng / công tắc dừng sang vị trí TẮT "O".

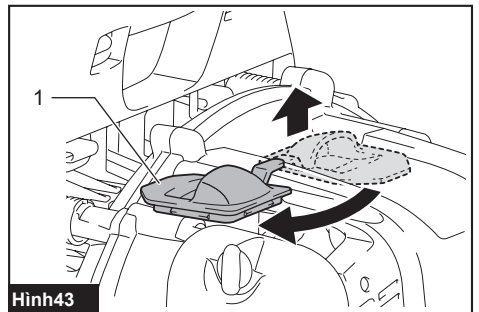
⚠THẬN TRỌNG: Kiểm tra dây dẫn bugi thường xuyên. Nếu dây dẫn bị hư hỏng, rách, hãy thay dây dẫn. Nếu không có thể gây ra điện giật.

CHÚ Ý: Khi tháo bugi, hãy làm sạch bugi và đầu xi lanh đầu tiên, để không có bụi bẩn, cát, v.v... vào trong xi lanh.

CHÚ Ý: Tháo bugi sau khi động cơ nguội để tránh làm hỏng lỗ có ren trong xi lanh.

CHÚ Ý: Lắp đặt bugi đúng vào lỗ có ren. Nếu lắp đặt ở một góc, thì lỗ có ren trong xy lanh sẽ bị hư hại.

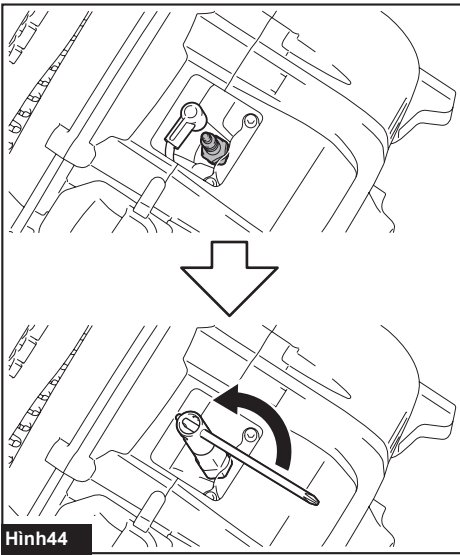
1. Để mở nắp bugi, cạy nắp lên và xoay lật nửa vòng.



Hình43

► 1. Vỏ bugi

2. Sử dụng chìa vận kiểu ống lồng được cung cấp như một phụ kiện chuẩn để tháo và lắp đặt bugi.

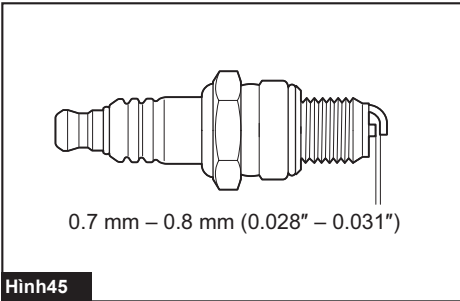


Hình44

3. Khoảng hở phù hợp giữa hai điện cực của bugi là, 0,7 đến 0,8 mm. Điều chỉnh khoảng hở cho đúng khi khoảng hở đó quá rộng hoặc quá hẹp.

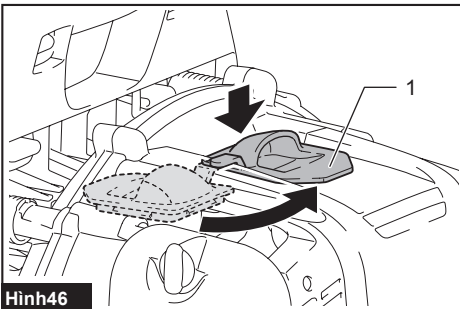
Làm sạch hoàn toàn hoặc thay bugi nếu bugi đã tích tụ cacbon hoặc bị nhiễm bẩn.

Để thay thế, hãy sử dụng NGK CMR6H.



Hình45

4. Để đóng nắp bugi, xoay lật nửa vòng, và nhấn xung quanh bộ phận răng cưa.



Hình46

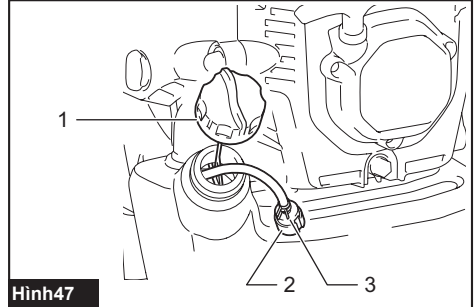
► 1. Vỏ bugi

Làm sạch bộ lọc nhiên liệu

⚠ THẬN TRỌNG: Hãy đảm bảo không có hư hỏng trên bình chứa nhiên liệu. Nếu có bất cứ hư hỏng trên bình chứa nhiên liệu, hãy yêu cầu trung tâm dịch vụ được ủy quyền sửa chữa ngay lập tức.

CHÚ Ý: Thường xuyên làm sạch bộ lọc nhiên liệu. Bộ lọc nhiên liệu bị tắc có thể gây khó khăn trong việc khởi động hoặc gây ra lỗi tăng tốc động cơ.

Kiểm tra bộ lọc nhiên liệu thường xuyên như sau:



Hình47

► 1. Nắp bình chứa nhiên liệu 2. Bộ lọc nhiên liệu 3. Kẹp ống

1. Tháo nắp bình chứa nhiên liệu, tháo nhiên liệu ra đến khi rỗng bình. Kiểm tra bên trong bình xem có bất kỳ vật lạ nào không. Nếu có, hãy lau sạch các vật thể đó.

2. Kéo bộ lọc nhiên liệu ra khỏi bằng dây thông qua cổng nạp nhiên liệu.

3. Nếu bề mặt bộ lọc nhiên liệu bị nhiễm bẩn, hãy lau bằng xăng.

CHÚ Ý: Thực hiện theo phương pháp được quy định của mỗi chính quyền địa phương về việc thái bỏ xăng dầu đã sử dụng để làm sạch bộ lọc nhiên liệu.

CHÚ Ý: Thay bộ lọc nhiên liệu nếu bộ lọc nhiên liệu bị nhiễm bẩn quá mức.

4. Sau khi kiểm tra, làm sạch hoặc thay thế, hãy lắp bộ lọc nhiên liệu vào ống nhiên liệu và cố định bộ lọc nhiên liệu với kẹp ống. Thiết lập lại bộ lọc nhiên liệu trong bình chứa nhiên liệu và vặn thật chặt nắp bình chứa nhiên liệu.

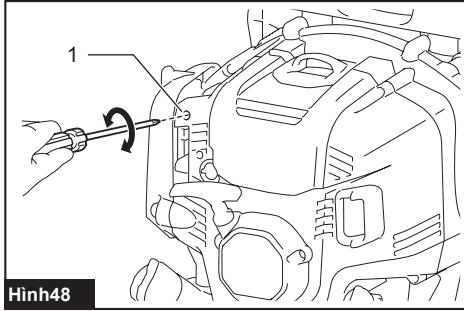
Điều chỉnh tốc độ không tải

⚠ THẬN TRỌNG: Bộ chế hòa khí được điều chỉnh khi xuất xưởng. Không bao giờ điều chỉnh khác tốc độ không tải. Nếu muốn điều chỉnh khác, hãy liên hệ với trung tâm dịch vụ được ủy quyền.

Chỉ số xoay với tốc độ thấp thích hợp là 2.800 min⁻¹ (rpm).

Nếu cần thay đổi tốc độ xoay, hãy điều chỉnh tốc độ không tải bằng một tuốc-nơ-vít Phillips.

Nếu động cơ dừng hoặc chạy không đều lúc không tải, hãy xoay vít điều chỉnh sang bên phải, và tốc độ không tải sẽ tăng lên. Nếu máy thổi quá mạnh lúc không tải, hãy xoay vít điều chỉnh sang bên trái, và tốc độ không tải sẽ giảm xuống.

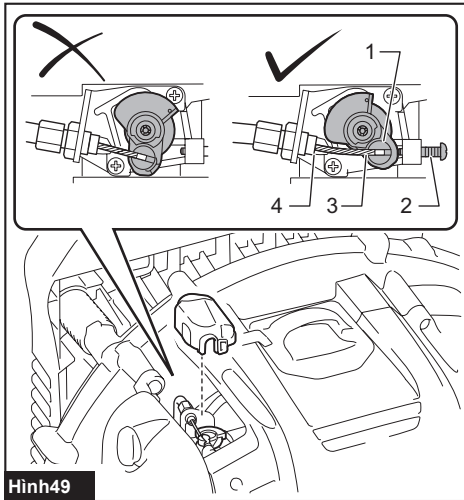


Hình48

► 1. Vít điều chỉnh không tải

Kiểm tra van bướm ga

Nếu cáp điều khiển bị uốn cong hoặc bị giữ lại, van bướm ga không tiếp xúc được với vít điều chỉnh không tải, và điều này ngăn động cơ chạy không tải đúng cách. Trong trường hợp như vậy, hãy định vị lại cáp điều khiển để đảm bảo van di chuyển đúng cách.



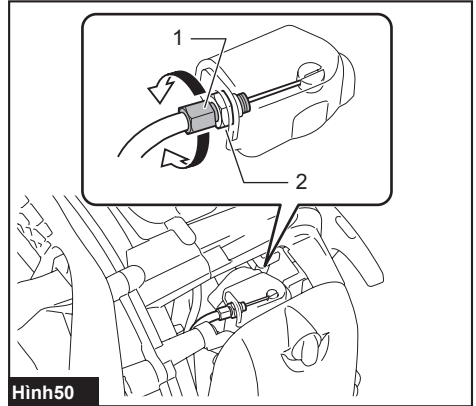
Hình49

► 1. Van bướm ga 2. Vít điều chỉnh không tải 3. Cáp điều khiển 4. Đế chặn van bướm ga

Nếu bướm ga không chạm vào để chặn van bướm ga thậm chí khi bạn kéo cần khởi động tiết lưu đầy đủ hoặc nếu van bướm ga không chạm vào vít điều chỉnh không tải trong khi chạy không tải, hãy xoay bu-lông điều chỉnh cáp như sau:

1. Nới lỏng đai ốc cố định.
2. Nếu van bướm ga không chạm vào để chặn van bướm ga, hãy xoay bu-lông điều chỉnh cáp ngược chiều kim đồng hồ.

Nếu bướm ga không chạm vào vít điều chỉnh không tải, hãy xoay cáp bu-lông điều chỉnh cáp theo chiều kim đồng hồ.

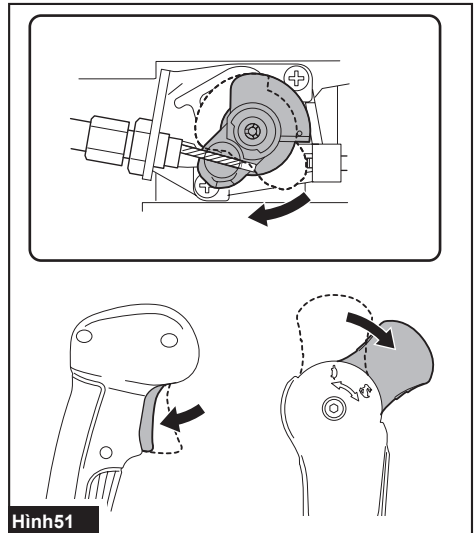


Hình50

► 1. Bu-lông điều chỉnh cáp 2. Đai ốc cố định

3. Vặn chặt đai ốc cố định để xiết chặt bu-lông điều chỉnh cáp.

4. Kiểm tra chuyển động của van bướm ga. Van bướm ga di chuyển đến vị trí như minh họa khi bạn kéo/bật cò điều chỉnh tiết lưu/cần bướm ga.



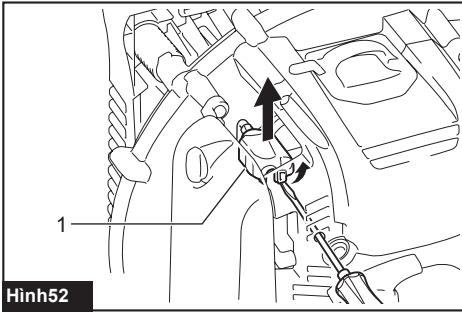
Hình51

Làm sạch vỏ bộ chế hòa khí

Nếu vỏ bộ chế hòa khí bị bẩn và khó kiểm tra van bướm ga, hãy làm sạch vỏ bộ chế hòa khí như sau:

CHÚ Ý: Không được phép dùng xăng, ét xăng, dung môi, cồn hoặc hóa chất tương tự để làm sạch vỏ bộ chế hòa khí. Nếu không vỏ bộ chế hòa khí có thể bị rỉ sét.

1. Luôn tuốc-nơ-vít có đầu rãnh qua lỗ trên vỏ động cơ. Nhả kẹp của vỏ bộ chế hòa khí.



► 1. Vỏ bộ chế hòa khí

2. Làm sạch vỏ bộ chế hòa khí.

CHÚ Ý: Sử dụng miếng vải sạch, ẩm để làm sạch vỏ bộ chế hòa khí.

3. Xoay vỏ bộ chế hòa khí về vị trí ban đầu. Hãy đảm bảo rằng kẹp của vỏ bộ chế hòa khí kêu cách khi nó được cài đúng vị trí.

Kiểm tra bu-lông, đai ốc, vít và các bộ phận khác

Vặn chặt lại các bu-lông, đai ốc, v.v... bị lỏng.

Kiểm tra nhiên liệu và rò rỉ dầu.

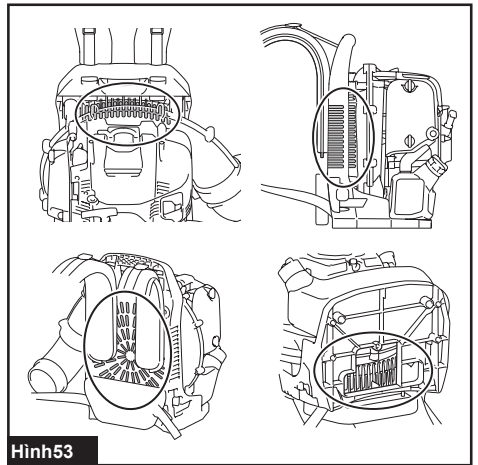
Thay thế các bộ phận bị hư hỏng bằng các bộ phận mới để vận hành an toàn.

Làm sạch động cơ, làm mát lỗ hút khí

Giữ cho động cơ sạch bằng cách lau với giẻ vải.

Giữ cho các bộ ổn định xi lanh không bị bụi hoặc bẩn. Bụi hoặc bám bám vào bộ ổn định có thể làm cho động cơ quá nhiệt và pít tông bị kẹt.

Không khí thổi được lấy từ lỗ hút khí. Khi luồng không khí giảm xuống trong quá trình vận hành, hãy dừng động cơ và kiểm tra lỗ hút khí xem có bất kỳ tắc nghẽn nào không. Lau sạch nếu thấy cần thiết. Sự tắc nghẽn này có thể gây ra quá nhiệt và làm hỏng động cơ.



Hình 53

Thay thế các miếng đệm và bao bì

Thay thế các miếng đệm và bao bì nếu động cơ bị tháo rời.

Việc duy trì công tác điều chỉnh không được bao gồm và được mô tả trong sách hướng dẫn này vốn chỉ được thực hiện bởi Đại lý Dịch vụ được Ủy quyền.

Cất giữ

⚠ CẢNH BÁO: Khi xả nhiên liệu, hãy tắt động cơ và chờ cho động cơ nguội. Nếu không làm như vậy có thể gây ra bỏng hoặc cháy.

⚠ THẬN TRỌNG: Khi bạn cất giữ máy trong một thời gian dài, hãy xả tất cả các nhiên liệu khỏi bình chứa nhiên liệu và bộ chế hòa khí, và cất giữ ở nơi khô ráo và sạch sẽ.

Xả nhiên liệu từ bình chứa nhiên liệu và bộ chế hòa khí trước khi cất giữ máy như sau:

1. Tháo nắp bình chứa nhiên liệu, và xả nhiên liệu hoàn toàn. Nếu có bất kỳ vật thể lạ nào còn lại trong bình chứa nhiên liệu, hãy loại bỏ vật thể lạ đó hoàn toàn.
2. Kéo bộ lọc nhiên liệu khỏi cổng nạp bằng cách sử dụng một sợi dây.
3. Đẩy máy bơm môi khởi động cho đến khi nhiên liệu bị rút ra khỏi đó, và xả nhiên liệu vào bình chứa nhiên liệu.
4. Cài đặt lại bộ lọc cho bình chứa nhiên liệu và vặn chặt nắp bình chứa nhiên liệu.
5. Sau đó, tiếp tục vận hành cho đến khi động cơ khi dừng lại.
6. Tháo bugi, và thả một vài giọt dầu động cơ qua lỗ bugi.
7. Nhẹ nhàng kéo tay cầm khởi động để dầu động cơ lan truyền trên khắp động cơ, và gắn vào bugi.
8. Giữ máy bằng cách xách dốc ngược tay cầm của máy.

9. Giữ cho nhiên liệu được xả trong thùng chứa đặc biệt dưới bóng râm và thông thoáng.

Vị trí lỗi

Lỗi	Hệ thống	Quan sát	Nguyên nhân
Động cơ chưa khởi động hoặc gặp khó khăn	Hệ thống đánh lửa	Tia đánh lửa.	Lỗi trong việc cung cấp nhiên liệu hoặc hệ thống nén, lỗi cơ khí.
		Không có tia đánh lửa.	Công tắc DỪNG hoạt động, lỗi hệ thống dây điện hoặc ngắn mạch, bugi hoặc đầu nối bị lỏng, mô-đun đánh lửa bị lỗi.
	Cung cấp nhiên liệu	Bình chứa nhiên liệu được đổ đầy.	Vị trí tiết lưu không chính xác, bộ chế hòa khí bị lỏng, đường cung cấp nhiên liệu bị uốn cong hoặc bị chặn, nhiên liệu bẩn.
	Nén	Không nén khi kéo lên.	Miếng đệm đáy của xi lanh bị lỏng, vết hàn tay quay bị hư, xi lanh hoặc vòng pitt tông bị lỏng hoặc vết hàn bugi không phù hợp.
	Lỗi cơ khí	Bộ khởi động không ăn khớp.	Vỡ lò xo bộ khởi động, vỡ bộ phận bên trong của động cơ.
Vấn đề khởi động làm nóng	-	Bình chứa đã nạp đầy. Tia đánh lửa.	Bộ chế hòa khí bị nhiễm bẩn, hãy làm sạch bộ chế hòa khí.
Động cơ khởi động nhưng chết máy	Cung cấp nhiên liệu	Bình chứa đã nạp đầy.	Điều chỉnh không tải không chính xác, bộ chế hòa khí bị nhiễm bẩn.
			Lỗ thông hơi bình chứa nhiên liệu bị lỏng, đường cung cấp nhiên liệu bị gián đoạn, cấp hoặc công tắc DỪNG bị lỏng.
Hiệu suất không đủ	Một số hệ thống có thể bị ảnh hưởng cùng lúc	Động cơ không tải yếu.	Bộ lọc không khí bị nhiễm bẩn, bộ chế hòa khí bị nhiễm bẩn, bộ tiêu âm bị tắc, ống xả động cơ trong xi lanh bị tắc.

Khoảng thời gian kiểm tra và bảo dưỡng

		Trước khi vận hành	Sau khi nạp liệu	Hàng ngày (10 giờ)	50 giờ	200 giờ	600 giờ hoặc dưới 2 năm	Trước khi cất giữ
Dầu động cơ	Kiểm tra/nạp lại dầu	○	-	-	-	-	-	-
	Thay thế	-	-	-	○ (Lưu ý 1)	-	-	-
Bộ phận vận chuyển (bu-lông, đai ốc)	Kiểm tra	○	-	-	-	-	-	-
Làm nguội lỗ hút khí	Làm sạch/kiểm tra	○	-	-	-	-	-	-
	Làm sạch/kiểm tra	○	-	-	-	-	-	-
Bình chứa nhiên liệu	Xả nhiên liệu	-	-	-	-	-	-	○ (Lưu ý 3)
	Kiểm tra chức năng	-	○	-	-	-	-	-
Cần khởi động tiết lưu/cần bướm ga	Kiểm tra chức năng	-	○	-	-	-	-	-
Dùng động cơ	Kiểm tra chức năng	-	○	-	-	-	-	-
Điều chỉnh tốc độ không tải	Kiểm tra/điều chỉnh tải	-	○	-	-	-	-	-

-		Trước khi vận hành	Sau khi nạp liệu	Hàng ngày (10 giờ)	50 giờ	200 giờ	600 giờ hoặc dưới 2 năm	Trước khi cất giữ
Bộ lọc khí	Làm sạch	-	-	○	-	-	-	-
	Kiểm tra/ thay thế nếu cần thiết	-	-	-	-	○	-	-
Cáp điều khiển	Kiểm tra/ điều chỉnh	-	-	○	-	-	-	-
	Kiểm tra/ thay thế nếu cần thiết	-	-	-	-	○ (Lưu ý 2)	-	-
Bugi	Kiểm tra/ điều chỉnh khoảng cách nếu cần thiết	-	-	○	-	-	-	-
	Làm sạch/ thay thế nếu cần thiết	-	-	-	-	○	-	-
Dây cảm	Kiểm tra/ thay thế nếu cần thiết	-	-	-	-	○ (Lưu ý 2)	-	-
Ống nhiên liệu	Kiểm tra	-	-	○	-	-	-	-
	Thay thế	-	-	-	-	○ (Lưu ý 2)	-	-
Bộ lọc nhiên liệu	Làm sạch/ thay thế nếu cần thiết	-	-	-	○	-	-	-
Ống dầu	Kiểm tra	-	-	-	-	○ (Lưu ý 2)	-	-
Khoảng hở van (van hút và van xả)	Kiểm tra/ điều chỉnh	-	-	-	-	○ (Lưu ý 2)	-	-
Bộ tiêm âm	Kiểm tra/làm sạch	-	-	-	-	○ (Lưu ý 2)	-	-
Buồng đốt/van/công	Kiểm tra/làm sạch	-	-	-	-	○ (Lưu ý 2)	-	-
Động cơ	Tu sửa	-	-	-	-	-	○ (Lưu ý 2)	-
Bộ chế hòa khí	Xả nhiên liệu	-	-	-	-	-	-	○ (Lưu ý 3)

Lưu ý 1: Thực hiện thay thế ban đầu sau khi vận hành 20 giờ.

Lưu ý 2: Để kiểm tra, yêu cầu Đại lý Dịch vụ được Ủy quyền hoặc cửa hàng máy.

Lưu ý 3: Sau khi làm cạn bình chứa nhiên liệu, tiếp tục chạy động cơ và xả nhiên liệu trong bộ chế hòa khí.

XỬ LÝ SỰ CỐ

Trước khi yêu cầu sửa chữa, đầu tiên hãy tự tiến hành kiểm tra của riêng bạn. Nếu bạn phát hiện vấn đề nào đó không được giải thích trong sách hướng dẫn sử dụng này, đừng cố tháo dỡ dụng cụ. Thay vào đó, hãy nhờ Trung tâm dịch vụ Makita được ủy quyền, luôn sử dụng bộ phận thay thế của Makita để sửa chữa.

Tình trạng bất thường	Nguyên nhân tiềm tàng (sự cố hồng học)	Biện pháp khắc phục
Động cơ không khởi động.	Thất bại khi vận hành bơm môi.	Đẩy 7 đến 10 lần.
	Tốc độ kéo thấp của dây khởi động.	Kéo mạnh.
	Thiếu nhiên liệu.	Tiếp nhiên liệu.
	Bộ lọc nhiên liệu bị tắc.	Làm sạch bộ lọc nhiên liệu hoặc thay cái mới.
	Uốn cong ống nhiên liệu.	Làm thẳng ống nhiên liệu.
	Nhiên liệu bị xuống cấp.	Nhiên liệu bị xuống cấp làm khởi động khó hơn. Thay thế bằng cái mới. (Khuyến nghị thay thế: 1 tháng)
	Hút quá nhiều nhiên liệu.	Cài đặt cần bướm ga từ tốc độ trung bình sang tốc độ cao, và kéo tay cầm khởi cho đến khi khởi động động cơ. Nếu động cơ vẫn không khởi động, tháo bugi, làm khô điện cực, và lắp ráp chúng lại như ban đầu. Sau đó, khởi động như chỉ định.
	Tháo nắp cảm.	Gắn chắc chắn.
	Bugie bị nhiễm bẩn.	Làm sạch bugie.
	Khoảng hở bất thường của bugie.	Điều chỉnh khoảng hở.
	Bất thường khác của bugie.	Thay thế bugie.
	Bộ chế hòa khí bất thường.	Nhờ trung tâm dịch vụ được ủy quyền kiểm tra và sửa chữa nó.
	Không thể kéo núm khởi động.	Nhờ trung tâm dịch vụ được ủy quyền kiểm tra và sửa chữa nó.
Các bộ phận bên trong động cơ có vấn đề.	Nhờ trung tâm dịch vụ được ủy quyền kiểm tra và sửa chữa nó.	
Động cơ dừng lại sớm. Tốc độ động cơ không tăng.	Không đủ nóng lên.	Thực hiện vận hành nóng lên.
	Cần lắp nghên hơi cài đặt về "ĐÓNG" dù động cơ được làm nóng.	Cài đặt sang "MỞ".
	Bộ lọc nhiên liệu bị tắc.	Làm sạch bộ lọc nhiên liệu.
	Bộ lọc khí bị ô nhiễm hoặc bị tắc.	Làm sạch bộ lọc khí.
	Cáp điều khiển bị tháo.	Gắn cáp điều khiển một cách chắc chắn.
	Các bộ phận bên trong động cơ có vấn đề.	Nhờ trung tâm dịch vụ được ủy quyền kiểm tra và sửa chữa nó.
Bướm ga không trở về tốc độ không tải.	Vị trí bướm ga không đúng.	Định vị lại cáp điều khiển. Điều chỉnh vị trí bướm ga bằng cách xoay bu-lông điều chỉnh cáp.
Động cơ không dừng. ⇒ Chạy động cơ không tải, và cài đặt cần lắp nghên hơi về "ĐÓNG".	Đầu nối bị tháo.	Gắn đầu nối an toàn.
	Hệ thống điện bất thường.	Nhờ trung tâm dịch vụ được ủy quyền kiểm tra và sửa chữa nó.

สารบัญ

ข้อมูลจำเพาะ.....	69	ก่อนสตาร์ทเครื่องยนต์.....	78
คำแนะนำด้านความปลอดภัยที่สำคัญ.....	70	การใช้งาน	80
คำอธิบายชิ้นส่วนต่างๆ	75	การบำรุงรักษา	85
การประกอบ	76	การแก้ไขปัญหา.....	94

ข้อมูลจำเพาะ

รุ่น:		EB5300TH	EB5300WH
ประเภทก้าน		ก้านควบคุมติดท่อ	ก้านควบคุมระดับสะโพก
น้ำหนักเครื่อง	ไม่รวมท่อเป่า / รวมอุปกรณ์กันกระแทก	8.9 kg	9.1 kg
	รวมท่อเป่าลม	9.8 kg - 10.0 kg	10.1 kg - 10.3 kg
ขนาด (ไม่รวมท่อเป่าลม, ยาว x กว้าง x สูง)		320 mm x 450 mm x 475 mm	320 mm x 510 mm x 475 mm
ความเร็วลม	(รวมท่อยาว, หัวฉีดแบบกลม)		81 m/s
	(รวมท่อสั้น, หัวฉีดแบบกลม)		82 m/s
อัตราการไหลของปริมาณลม	(รวมท่อยาว, หัวฉีดแบบกลม)		15 m ³ /นาที
	(รวมท่อสั้น, หัวฉีดแบบกลม)		15 m ³ /นาที
ความเร็วเครื่องยนต์สูงสุด			6,400 min ⁻¹
ความเร็วรอบเดินเบา			2,800 min ⁻¹
ความจุเครื่องยนต์			52.5 cm ³
ประเภทเครื่องยนต์		ระบายความร้อนด้วยอากาศ, 4 จังหวะ, กระบอกสูบเดี่ยว	
เชื้อเพลิง		น้ำมันเบนซินสำหรับรถยนต์	
ความจุถังน้ำมันเชื้อเพลิง		1,800 cm ³	
น้ำมันเครื่อง		เกรด API ระดับ SF ขึ้นไป, น้ำมัน SAE 10W-30 (น้ำมันเครื่องยนต์ 4 จังหวะ)	
ปริมาตรน้ำมันเครื่อง		140 cm ³	
คาร์บูเรเตอร์		ประเภทไต่อะแฟรม	
หัวเทียน		NGK CMR6H	
ระยะหัวเชื่อม		0.7 mm - 0.8 mm	

- เนื่องจากการค้นคว้าวิจัยและพัฒนาอย่างต่อเนื่อง ข้อมูลจำเพาะในเอกสารฉบับนี้อาจเปลี่ยนแปลงได้โดยไม่ต้องแจ้งให้ทราบล่วงหน้า
- ข้อมูลจำเพาะอาจแตกต่างกันไปในแต่ละประเทศ
- น้ำหนักอาจแตกต่างกันไปตามอุปกรณ์เสริม

สัญลักษณ์

ต่อไปนี้เป็นสัญลักษณ์ที่ใช้สำหรับอุปกรณ์ โปรดศึกษาความหมายของสัญลักษณ์ให้เข้าใจก่อนการใช้งาน

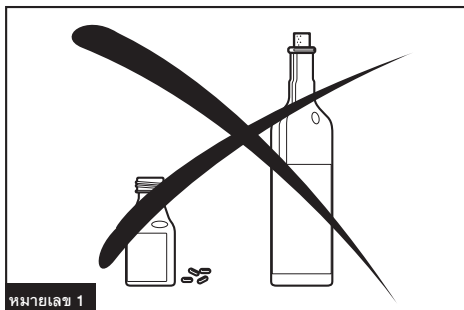
	ใช้ความระมัดระวังและความสนใจเป็นพิเศษ
	อ่านคู่มือการใช้งาน
	ห้าม!
	ห้ามสูบบุหรี่
	ห้ามให้เกิดเปลวไฟ
	สวมถุงมือป้องกัน
	สวมเครื่องป้องกันดวงตาและหู
	พื้นผิวที่มีความร้อนสูง - ลกนิ้วหรือมือ
	อย่าให้ผู้ที่อยู่ข้างเคียงเข้ามาใกล้บริเวณที่ปฏิบัติงาน
	ให้บริเวณปฏิบัติงานปราศจากบุคคลและสัตว์เลี้ยง
	เชื้อเพลิง (น้ำมันเบนซิน)
	การทำงานเครื่องยนต์ด้วยตนเอง
	หยุดเครื่องยนต์
	การปฐมพยาบาล
	เปิด/เริ่มทำงาน
	ปิด/หยุดทำงาน
	หมที่ยาวอาจเข้าไปติดและทำให้เกิดอุบัติเหตุได้

คำแนะนำด้านความปลอดภัยที่สำคัญ

คำแนะนำทั่วไป

1. เพื่อการทำงานที่ถูกต้องและปลอดภัย ผู้ใช้ต้องอ่านทำความเข้าใจ และปฏิบัติตามคู่มือใช้งานนี้เพื่อให้เกิดความคุ้นเคยในการใช้งานเครื่องเป่าลม ผู้ใช้ที่มีความรู้ไม่เพียงพอจะเสี่ยงต่อการทำให้เกิดอันตรายแก่ตนเองและผู้อื่นเนื่องจากการใช้งานอย่างไม่เหมาะสม

2. ขอแนะนำว่าควรให้ยืมเครื่องเป่าลมแก่บุคคลที่พิสูจน์แล้วว่า มีประสบการณ์ในการใช้งานเครื่องเป่าลมเท่านั้น
3. มอบคู่มือใช้งานเมื่อให้ยืมเครื่องเป่าลมเสมอ
4. ผู้ใช้งานครั้งแรกควรขอคำแนะนำพื้นฐานจากศูนย์บริการเพื่อทำความเข้าใจเกี่ยวกับการใช้งานเครื่องเป่าลม
5. ไม่อนุญาตให้เด็กและผู้มีอายุต่ำกว่า 18 ปีใช้งานเครื่องเป่าลม อย่างไรก็ตาม บุคคลที่มีอายุ 16 ปีขึ้นไปอาจใช้งานเครื่องมือนี้ได้เพื่อวัตถุประสงค์ในการรับการอบรมภายใต้การควบคุมโดยตรงจากผู้อบรมที่มีคุณสมบัติเหมาะสมเท่านั้น
6. ใช้เครื่องเป่าลมด้วยความระมัดระวังและความสนใจเป็นพิเศษ
7. ใช้งานเครื่องเป่าลมเมื่ออยู่ในสภาพทางกายภาพที่ดีเท่านั้น
8. ทำงานทั้งหมดอย่างรอบคอบและระมัดระวัง ผู้ใช้ต้องรับผิดชอบต่อบุคคลอื่น
9. ห้ามใช้เครื่องเป่าลมขณะมีเมายาเสพติดหรือสุรา



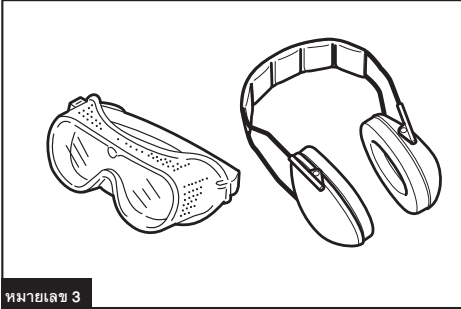
หมายเลข 1

10. อย่าใช้งานเครื่องมือเมื่อคุณเหนื่อย
11. เก็บรักษาคำแนะนำเหล่านี้ไว้เป็นข้อมูลอ้างอิงในอนาคต
12. สังเกตและปฏิบัติตามคำแนะนำในการป้องกันอุบัติเหตุทั้งหมดที่เกี่ยวข้องซึ่งออกโดยสมาคมการค้าและโดยบริษัทประกันภัย อย่าทำการดัดแปลงใดๆ ต่อเครื่องเป่าลมเนื่องจากอาจก่อให้เกิดความเสี่ยงต่อความปลอดภัยได้
13. ห้ามทำการดัดแปลงต่ออุปกรณ์โดยเด็ดขาด เนื่องจากอาจก่อให้เกิดอุบัติเหตุอันตรายหรือเกิดการบาดเจ็บ

อุปกรณ์ป้องกันส่วนบุคคล



หมายเลข 2



หมายเลข 3

1. เสื้อผ้าที่ใส่ควรมีความเหมาะสมแก่การใช้งานจริง เช่น ควรแนบตัวพอดีและไม่กีดขวางการทำงาน อย่าสวมใส่เครื่องประดับ เสื้อผ้า หรือไว้ผมยาว ซึ่งอาจถูกดึงเข้าไปในช่องลมเข้า
2. เพื่อหลีกเลี่ยงการบาดเจ็บที่ศีรษะ ดวงตา มือ หรือเท้า รวมถึงป้องกันการได้ยินของคุณ ต้องใช้อุปกรณ์ป้องกันและเสื้อผ้าป้องกันดังต่อไปนี้ในระหว่างการใช้อุปกรณ์เป่าลม
3. เสื้อผ้าจะต้องทนทานและพอดีตัว แต่สามารถเคลื่อนไหวได้อย่างอิสระ หลีกเลี่ยงแจ็คเก็ตตัวหลวม กางเกงขาก้นหรือพับขา ผ้าพันคอ ผมหยาวสยาย หรือสิ่งอื่นใดที่อาจถูกดึงเข้าไปในช่องลมเข้า สวมใส่เอี๊ยมกางเกงหรือกางเกงขายาวเพื่อป้องกันขาของคุณอย่าใส่กางเกงขาสั้น
4. โยทัวไปแล้ว ผลลัพท์ของเครื่องจักรจะมีเสียงดังและเสียงรบกวนอาจทำให้ระบบการได้ยินเสียหาย ใส่ที่ป้องกันเสียง (ที่อุดหูหรือที่ครอบหู) เพื่อปกป้องการได้ยินของคุณ ผู้ใช้อย่างต่อเนื่องและเป็นประจำควรไปตรวจการได้ยินเป็นประจำ
5. ขอแนะนำให้ใช้ถุงมือขณะใช้อุปกรณ์เป่าลม สวมรองเท้าแข็งแรงที่มีพื้นกันลื่น
6. การป้องกันดวงตาอย่างเหมาะสมคือสิ่งจำเป็น แม้ว่าเป่าลมจะหันออกจากตัวผู้ปฏิบัติงาน แต่ก็อาจมี

ชิ้นส่วนกระเด็นหรือกระเด็นกลับระหว่างการใช้งานเครื่องเป่าลม

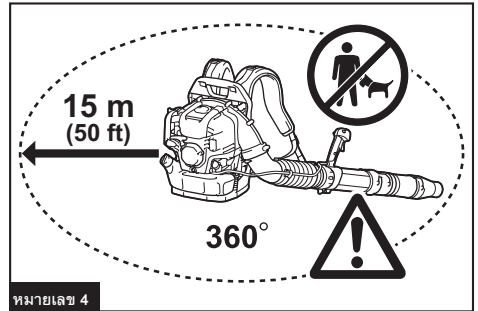
7. ห้ามใช้งานเครื่องเป่าลมเมื่อไม่ใส่แว่นตานิรภัยหรือแว่นป้องกันที่ใส่ได้พอดีซึ่งมีที่ป้องกันด้านบนและด้านข้างตามมาตรฐาน EN166 และข้อบังคับในประเทศของคุณ
8. เพื่อลดความเสี่ยงของการบาดเจ็บที่เกี่ยวข้องกับการสูดดมฝุ่นละออง ให้ใช้หน้ากากกรองในสภาพแวดล้อมที่เต็มไปด้วยฝุ่น

จุดประสงค์การใช้งาน

เครื่องมือนี้มีจุดประสงค์เพื่อเป่าฝุ่น

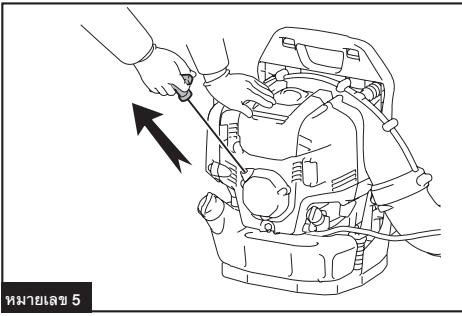
การเริ่มใช้งานเครื่องเป่าลม

1. ตรวจสอบให้แน่ใจว่าไม่มีเด็กหรือบุคคลอื่นอยู่ภายในระยะการทำงาน 15 เมตร และให้ระวังสัตว์ที่อยู่ใกล้



หมายเลข 4

2. ก่อนทำงาน ให้ตรวจสอบทุกครั้งว่าเครื่องเป่าลมสามารถทำงานได้อย่างปลอดภัย:
 - ตรวจสอบความปลอดภัยของก้านเปิดปิด ควรตรวจสอบว่าก้านเปิดปิดทำงานได้อย่างราบรื่นและง่ายดาย
 - ตรวจสอบว่าตัวล็อกก้านเปิดปิดทำงานอย่างเหมาะสม
 - ตรวจสอบว่ามีจับสะอาดและแห้ง และทดสอบการทำงานของสวิตช์เปิดปิด ทำให้มีมือจับปราศจากน้ำมันและเชื้อเพลิง
3. สดาร์ทเครื่องเป่าลมตามคำแนะนำเท่านั้น อย่าใช้วิธีอื่นในการสตาร์ทเครื่องยนต์

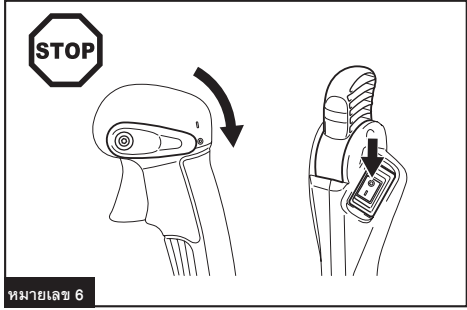


หมายเลข 5

4. ใช้เครื่องเป่าลมและเครื่องมืออื่นๆ ที่ให้มาตามการใช้งานที่ระบุเท่านั้น
5. สตาร์ทเครื่องยนต์ของเครื่องเป่าลมหลังจากที่ประกอบเครื่องมือทั้งชิ้นแล้ว อนุญาตให้ใช้งานเครื่องมือได้หลังจากติดอุปกรณ์เสริมที่เหมาะสมทุกชิ้นแล้วเท่านั้น
6. ต้องปิดสวิตช์เครื่องยนต์ทันทีหากเกิดปัญหาเครื่องยนต์
7. เมื่อทำงานร่วมกับเครื่องเป่าลม ให้กำนั้รอมมือจับไว้ให้แน่นเสมอโดยให้มือจับควบคุมอยู่ระหว่างนิ้วโป้งและนิ้วชี้ ให้มืออยู่ในตำแหน่งนี้เพื่อรักษาการควบคุมเครื่องมือไว้ตลอดเวลา ตรวจสอบให้แน่ใจว่ามือจับควบคุมอยู่ในสภาพที่เหมาะสมและปราศจาก ความชื้น ยางไม้ น้ำมัน หรือจาระบี
8. ตรวจสอบทำยีนให้มันคงและสมดุลเสมอ
9. สะพายเครื่องเป่าลมอย่างถูกต้องบนไหล่ทั้งสองข้าง ระหว่างการทำงานเสมอ อย่าสะพายเครื่องเป่าลมด้วยสายสะพายไหล่เส้นเดียว มิฉะนั้นอาจเกิดการบาดเจ็บได้
10. ใช้เครื่องเป่าลมในลักษณะที่เป็นการหลีกเลี่ยงการสูดดมแก๊สไอเสีย ห้ามใช้งานเครื่องมือในห้องปิด (เสี่ยงต่อการขาดอากาศหายใจและก๊าซพิษ) ก๊าซคาร์บอนมอนอกไซด์เป็นก๊าซที่ไม่มีกลิ่น ตรวจสอบทุกครั้งว่ามีอากาศถ่ายเทเพียงพอ
11. ปิดสวิตช์เครื่องยนต์เมื่อพักหรือวางเครื่องเป่าลมทิ้งไว้ โดยไม่มีผู้ดูแล วางเครื่องมือไว้ในตำแหน่งที่ปลอดภัยเพื่อป้องกันไม่ให้เกิดอันตรายต่อผู้อื่น เกิดเพลิงไหม้ ต่อวัสดุที่ติดไฟได้ง่าย หรือเกิดความเสียหายต่อเครื่องมือ
12. ห้ามวางเครื่องเป่าลมที่ยังร้อนลงบนหญ้าแห้งหรือบนวัสดุที่ติดไฟได้ง่ายใดๆ ทั้งสิ้น
13. ชิ้นส่วนป้องกันและที่ป้องกันทั้งหมดที่หามากับเครื่องมือต้องนำไปใช้ในระหว่างการทำงาน
14. ห้ามใช้งานเครื่องยนต์ที่เครื่องเก็บเสียงไอเสียทำงานผิดปกติ

การเคลื่อนย้าย

1. ดับเครื่องยนต์ระหว่างการเคลื่อนย้าย

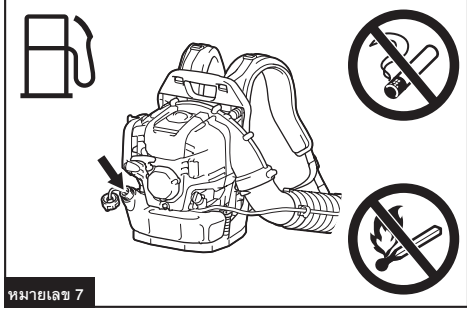


หมายเลข 6

2. วางเครื่องเป่าลมอย่างปลอดภัยระหว่างการเคลื่อนย้ายด้วยรถหรือรถบรรทุกเพื่อหลีกเลี่ยงไม่ให้เชื้อเพลิงรั่วออกมา
3. เมื่อเคลื่อนย้ายเครื่องเป่าลม ให้ตรวจสอบว่าถังน้ำมันเชื้อเพลิงไม่มีน้ำมันอยู่
4. ยกเครื่องเป่าลมโดยจับที่มือจับขณะถือเครื่อง อย่าลากเครื่องเป่าลมด้วยท่ออ่อน ท่อแข็ง หรือชิ้นส่วนอื่นๆ
5. จับเครื่องเป่าลมให้แน่นในระหว่างการเคลื่อนย้าย
6. เมื่อเคลื่อนย้ายเครื่องเป่าลม ให้งอเข้าและตรวจสอบให้แน่ใจว่าจะไม่ทำให้ไหลและหลังเกิดการบาดเจ็บ

การเติมเชื้อเพลิง

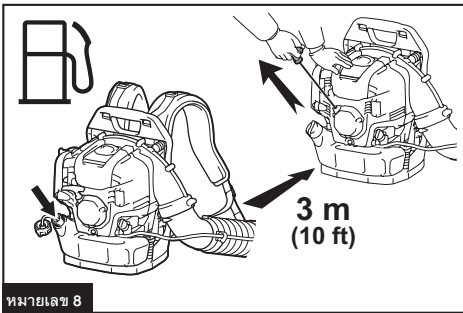
1. ดับเครื่องยนต์ระหว่างการเติมเชื้อเพลิง โดยอยู่ให้ห่างจากเปลวไฟและห้ามสูบบุหรี่



หมายเลข 7

2. หลีกเลี่ยงการสัมผัสทางผิวหนังกับผลิตภัณฑ์ปิโตรเลียม อย่าสูดไอระเหยเชื้อเพลิงเข้าไป สวมถุงมือป้องกันระหว่างการเติมเชื้อเพลิงเสมอ เปลี่ยนและทำความสะอาดเสื้อผ้าป้องกันตามรอบระยะเวลาทั่วไป

- ระวังอย่าทำเชื้อเพลิงหรือน้ำมันหกเพื่อป้องกันไม่ให้ดินปนเปื้อน (การป้องกันสภาพแวดล้อม) ทำความสะอาดเครื่องเป่าลมทันทีหลังจากที่เชื้อเพลิงหก ปล่อยให้ผ้าเปียกแห้งก่อนทิ้งลงในภาชนะที่เหมาะสม และมีที่ปิดเพื่อป้องกันไม่ให้เกิดการลุกไหม้ขึ้นเอง
- หลีกเลี่ยงไม่ให้เสื้อผ้าสัมผัสถูกเชื้อเพลิง เปลี่ยนเสื้อผ้าทันทีหากเชื้อเพลิงหกใส่ (อันตรายจากการลุกไหม้)
- ตรวจสอบฝาเชื้อเพลิงตามรอบระยะเวลาทั่วไปเพื่อให้แน่ใจว่ายังคงปิดแน่นอย่างปลอดภัย
- ปิดฝาปิดถังน้ำมันให้สนิทด้วยความระมัดระวัง เปลี่ยนสถานที่สตาร์ทเครื่องยนต์ (ห่างจากจุดที่เติมเชื้อเพลิงอย่างน้อย 3 เมตร (10 ฟุต))



- ห้ามเติมเชื้อเพลิงในท้องปิด ไขว่เหยเชื้อเพลิงจะสะสมในระดับพื้นดิน (เสี่ยงต่อการระเบิด)
- เคลื่อนย้ายและเก็บเชื้อเพลิงในภาชนะที่อนุญาตเท่านั้น ตรวจสอบให้แน่ใจว่าเชื้อเพลิงที่เก็บไว้นั้นเด็กไม่สามารถเข้าถึงได้
- อย่าพยายามเติมเชื้อเพลิงในเครื่องยนต์ที่ร้อนหรือกำลังทำงาน
- อย่าเติมเชื้อเพลิงเกินกว่าปริมาณที่ระบุใน "ข้อมูลจำเพาะ"

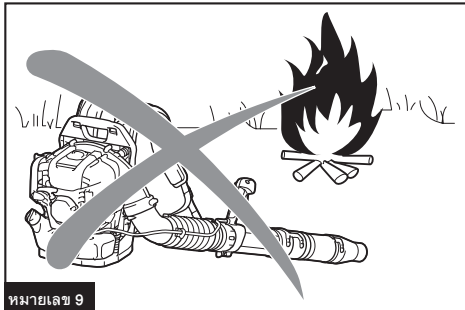
วิธีการใช้งาน

- ใช้เครื่องเป่าลมเมื่อมีแสงสว่างเพียงพอและเห็นได้ชัดเจนเท่านั้น ระวังพื้นที่ลื่นหรือเปียก น้ำแข็งและหิมะ (เสี่ยงต่อการลื่นล้ม) และที่แคบ ตรวจสอบท่ายืนให้มั่นคงเสมอ
- ห้ามทำงานบนพื้นผิวที่ไม่มั่นคงหรือพื้นที่ลาดชัน
- อย่าทำงานจากบนบันไดหรือที่สูง มิฉะนั้นอาจทำให้เกิดการบาดเจ็บได้
- หากต้องการลดความเสี่ยงในการบาดเจ็บ อย่าหันให้ลมพัดไปหาผู้ที่อยู่ข้างเคียง เนื่องจากลมที่มีแรงดันสูง

- อาจทำให้ดวงตาบาดเจ็บและอาจเป่าวัตถุชิ้นเล็กด้วยความเร็วสูง
- ห้ามใส่วัตถุแปลกปลอมใดๆ เข้าไปในช่องลมเข้าของเครื่องมือหรือในท่อของเครื่องเป่าลม เนื่องจากจะทำให้ลวดพัดลมเสียหายและอาจทำให้เกิดการบาดเจ็บร้ายแรงต่อผู้ปฏิบัติงานหรือผู้ที่อยู่ข้างเคียงจากการที่วัตถุหรือชิ้นส่วนที่แตกหักกระเด็นออกมาด้วยความเร็วสูง
- ระวังทิศทางของลม เช่น อย่าทำงานด้านลม
- หากต้องการลดความเสี่ยงในการสะดุดและสูญเสียการควบคุม อย่าเดินถอยหลังขณะใช้เครื่องมือ
- ดับเครื่องยนต์ก่อนทำความสะอาดหรือบำรุงรักษาหรือเปลี่ยนชิ้นส่วน
- หยุดพักเพื่อป้องกันการสูญเสียการควบคุมเนื่องจากความเหนื่อยล้า ขอแนะนำให้หยุดพัก 10 ถึง 20 นาที ทุกชั่วโมง
- อย่าใช้งานเครื่องมือใกล้หน้าตักและอื่นๆ
- เพื่อลดความเสี่ยงจากการสำลักละอองและ/หรือความเสียหายต่อหู ให้ใช้งานเครื่องมือด้วยความเร็วต่ำเท่าที่ทำได้และจำกัดระยะเวลาในการใช้งาน
- ใช้งานเครื่องมือในระยะเวลาที่เหมาะสมเท่านั้น อย่าใช้งานเครื่องเป่าลมในช่วงเช้าหรือกลางคืนซึ่งอาจเป็นการรบกวนผู้อื่น
- ขอแนะนำให้ใช้คราดและไม่กวาดในการกำจัดเศษวัสดุก่อนเป่า
- ก่อนเป่า ให้ทำให้พื้นผิวในสภาพที่มีฝุ่นผงมากที่สุด ชุ่มชื้นเล็กน้อย หรือใช้ที่พื้นละอองน้ำหากจำเป็น
- ปรับความยาวของท่อเครื่องเป่าลมเพื่อให้กระแสนลมสามารถทำงานได้ใกล้กับพื้นดิน
- เพื่อลดระดับเสียง ให้จำกัดจำนวนชิ้นอุปกรณ์ที่ใช้ในแต่ละครั้ง
- หลังจากใช้เครื่องเป่าลมและอุปกรณ์อื่นๆ ให้ทำความสะอาด! กำจัดเศษวัสดุลงในที่รองรับขยะ
- อย่าเร่งเครื่องยนต์เกินกว่าที่จำเป็น วัสดุที่ถูกเป่าออกไปอาจทำให้เกิดการบาดเจ็บได้
- เครื่องเก็บเสียงไอเสียจะร้อนระหว่างการทำงาน อย่าสัมผัสเครื่องเก็บเสียงไอเสียที่ยังร้อน เพราะอาจทำให้ผิวไหม้
- อย่าใช้งานเครื่องมือในสภาพที่อาจเกิดการระเบิด เช่น ในสถานที่ที่มีของเหลว ก๊าซ หรือฝุ่นผงที่มีคุณสมบัติไวไฟ เครื่องมืออาจสร้างประกายไฟและจุดชนวนฝุ่นผงหรือก๊าซดังกล่าว

คำแนะนำในการบำรุงรักษา

1. ปฏิบัติต่อสภาพแวดล้อมอย่างดี ใช้งานเครื่องเป่าลมโดยให้มีเสียงรบกวนและมลพิษน้อยที่สุดเท่าที่ทำได้ โดยเฉพาะอย่างยิ่งให้ตรวจสอบการปรับคาร์บูเรเตอร์อย่างถูกต้อง
2. ทำความสะอาดเครื่องเป่าลมตามรอบระยะเวลาทั่วไป และตรวจสอบว่าสกรูและนอตทุกตัวขันแน่นแล้ว
3. ห้ามทำการบำรุงรักษาหรือเก็บเครื่องเป่าลมในบริเวณใกล้เคียงกับเปลวไฟ ประกายไฟ และอื่นๆ



หมายเลข 9

4. เก็บเครื่องเป่าลมในห้องล็อกกุญแจที่มีอากาศถ่ายเทดี และถึงน้ำมันเชื้อเพลิงไม่มีเชื้อเพลิงอยู่
5. ผู้ใช้สามารถทำการบำรุงรักษาหรือซ่อมแซมได้ตามที่ระบุในคู่มือใช้งานฉบับนี้เท่านั้น งานอื่นๆ จะต้องทำโดยตัวแทนผู้ให้บริการที่ได้รับอนุญาตเท่านั้น
6. ใช้อะไหล่และอุปกรณ์เสริมของแท้จาก Makita เท่านั้น การใช้อุปกรณ์เสริมและเครื่องมือที่ไม่ได้รับอนุญาต อาจก่อให้เกิดอุบัติเหตุและการบาดเจ็บ Makita จะไม่รับผิดชอบ ต่ออุบัติเหตุหรือความเสียหายที่เกิดขึ้นจากการใช้อุปกรณ์ยึดติดและอุปกรณ์เสริมที่ไม่ได้รับอนุญาต
7. การซ่อมแซมที่ไม่ถูกต้องและการบำรุงรักษาที่ไม่เหมาะสมอาจทำให้อายุการใช้งานของอุปกรณ์สั้นลง และเพิ่มความเสี่ยงในการเกิดอุบัติเหตุ

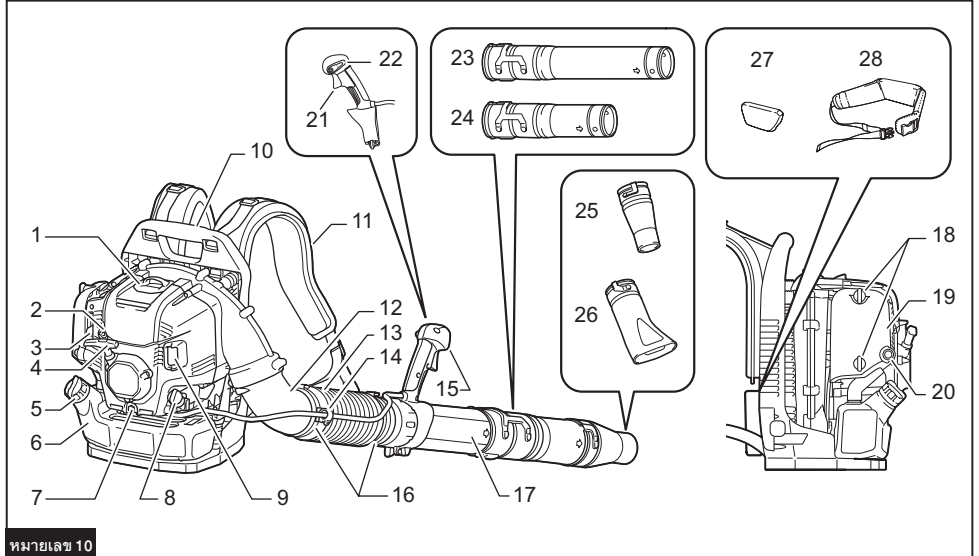
การปฐมพยาบาล

1. ในกรณีที่เกิดอุบัติเหตุ ให้ตรวจสอบว่ามีชุดปฐมพยาบาลที่มีอุปกรณ์ครบถ้วนอยู่ในบริเวณที่ทำงาน นำสิ่งที่ถูกนำออกจากชุดปฐมพยาบาลมาเติมทันที
2. เมื่อต้องการขอความช่วยเหลือ ให้บอกข้อมูลดังต่อไปนี้:
 - สถานที่เกิดอุบัติเหตุ
 - สิ่งที่เกิดขึ้น
 - จำนวนผู้ได้รับบาดเจ็บ

- ลักษณะการบาดเจ็บ
- ชื่อของคุณ

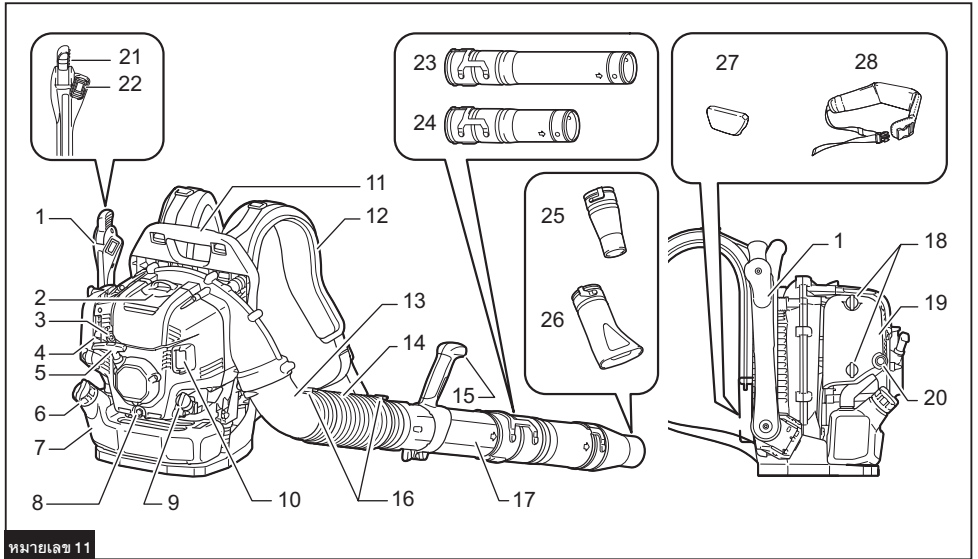
คำอธิบายชิ้นส่วนต่างๆ

EB5300TH



1	ฝาครอบหัวเทียน	9	เครื่องเก็บเสียง	17	ท่อแกนหมุน	25	ท่อวงกลม
2	ก้านป้องกันน้ำแข็งจับ	10	ที่จับ	18	สลักเกลียวปั๊มหมุน (ของฝาครอบตัวพอก อากาศ)	26	ท่อระบายแบบแบน (อุปกรณ์เสริม)
3	แกนโซ็ค	11	สายสะพายไหล่	19	ฝาครอบตัวพอกอากาศ	27	เบาะรอง (อุปกรณ์เสริม)
4	ปั๊มหมุนสตาร์ทเตอร์	12	ช่องอ	20	บี๊มดูดเชื้อเพลิง	28	เข็มขัดคาดสะโพก (อุปกรณ์เสริม)
5	ฝาปิดถังน้ำมันเชื้อเพลิง	13	ท่อแบบยืดหยุ่น	21	สวิตช์เปิดปิด	-	-
6	ถังน้ำมันเชื้อเพลิง	14	ที่ยึดสายไฟ	22	ก้านควบคุมการหยุด ทำงาน	-	-
7	สลักเกลียวระบายน้ำมัน	15	มือจับควบคุม	23	ท่อยาว (อุปกรณ์เสริม)	-	-
8	ฝาปิดน้ำมัน	16	สายรัดท่อ	24	ท้อสั้น (อุปกรณ์เสริม)	-	-

- อุปกรณ์เสริมมาตรฐานอาจแตกต่างกันไปในแต่ละประเทศ



หมายเลข 11

1	แขนควบคุม	9	ฝาปิดน้ำมัน	17	ท่อแกนหมุน	25	ท่อวงกลม
2	ฝาครอบหัวเทียน	10	เครื่องเก็บเสียง	18	สลักเกลียวปุ่มหมุน (ของฝาครอบตัวพอก อากาศ)	26	ท่อระบายแบบแบน (อุปกรณ์เสริม)
3	ก้านป้องกันน้ำแข็งจับ	11	ที่จับ	19	ฝาครอบตัวพอกอากาศ	27	เบาะรอง (อุปกรณ์เสริม)
4	แกนโซ็ค	12	สายสะพายไหล่	20	ปุ่มดูดเชื้อเพลิง	28	เข็มขัดคาดสะโพก (อุปกรณ์เสริม)
5	ปุ่มหมุนสตาร์ทเตอร์	13	ช่องอ	21	ก้านเปิดปิด	-	-
6	ฝาปิดถังน้ำมันเชื้อเพลิง	14	ท่อแบบยืดหยุ่น	22	สวิตช์หยุดการทำงาน	-	-
7	ถังน้ำมันเชื้อเพลิง	15	ชุดมือจับ	23	ท่อยาว (อุปกรณ์เสริม)	-	-
8	สลักเกลียวระบายน้ำมัน	16	สายรัดท่อ	24	ท่อสั้น (อุปกรณ์เสริม)	-	-

- อุปกรณ์เสริมมาตรฐานอาจแตกต่างกันไปในแต่ละประเทศ

การประกอบ

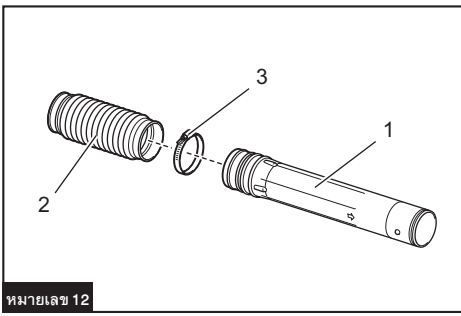
⚠ ข้อควรระวัง: ก่อนทำงานใดๆ ด้วยเครื่องเป่าลม ให้หยุดเครื่องยนต์และดึงฝาปิดหัวเทียนออกจากหัวเทียนเสมอ

⚠ ข้อควรระวัง: สตาร์ทเครื่องเป่าลมหลังจากที่ได้ประกอบชิ้นส่วนอย่างสมบูรณ์แล้วเท่านั้น

⚠ ข้อควรระวัง: สวมถุงมือป้องกันเสมอ

การประกอบท่อเครื่องเป่าลม

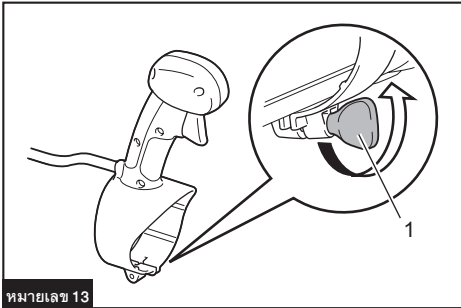
1. ใส่ท่อแกนหมุนเข้าไปในท่อแบบยืดหยุ่นและขันให้แน่นด้วยสายรัดท่อ



หมายเลข 12

▶ 1. ท่อแกนหมุน 2. ท่อแบบยึดหยุ่น 3. สายรัดท่อ

2. คลายและถอดสกรูยึดออก

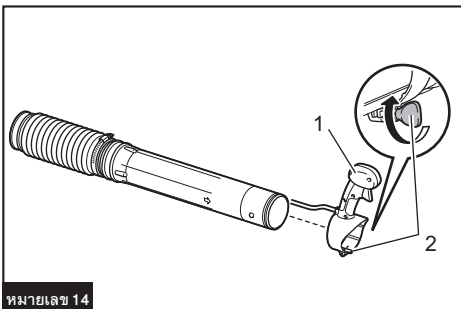


หมายเลข 13

▶ 1. สกรูยึด

สำหรับรุ่นที่ก้านควบคุมติดท่อ, โปรดระวังไม่บิดสายเคเบิลบนมือจับควบคุม เมื่อประกอบเข้ากับท่อแกนหมุน

3. ติดตั้งมือจับควบคุม/ชุดมือจับเข้ากับท่อแกนหมุนและขันให้แน่นด้วยสกรูยึด



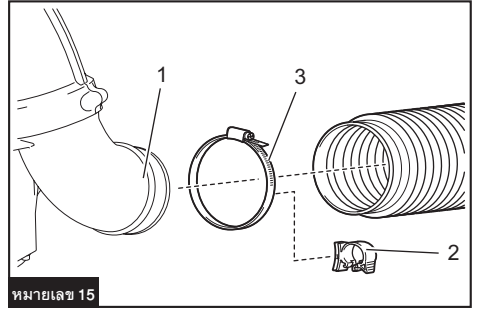
หมายเลข 14

▶ 1. มือจับควบคุม/ชุดมือจับ 2. สกรูยึด

4. ติดท่อแบบยึดหยุ่นเข้ากับข้องอ

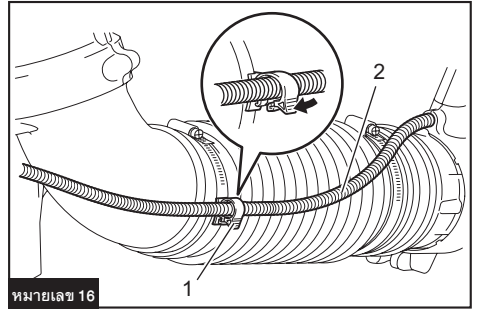
สำหรับรุ่นที่ก้านควบคุมติดท่อ: ใส่ข้องอเข้ากับท่อแบบยึดหยุ่น ติดตั้งที่ยึดสายไฟไว้ระหว่างสายรัดท่อและท่อแบบยึดหยุ่น ขันที่ยึดสายไฟ ท่อแบบยึดหยุ่น และข้องอให้แน่น

ด้วยสายรัดท่อ ติดสายไฟควบคุมลงบนที่ยึดสายไฟ และปิดที่ยึดสายไฟ



หมายเลข 15

▶ 1. ข้องอ 2. ที่ยึดสายไฟ 3. สายรัดท่อ

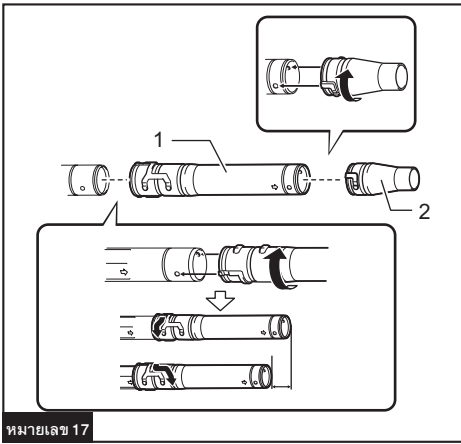


หมายเลข 16

▶ 1. ที่ยึดสายไฟ 2. สายไฟควบคุม

สำหรับรุ่นที่มีก้านควบคุมระดับสะโพก: ใส่ข้องอเข้ากับท่อแบบยึดหยุ่น ขันท่อแบบยึดหยุ่นและข้องอให้แน่นด้วยสายรัดท่อ

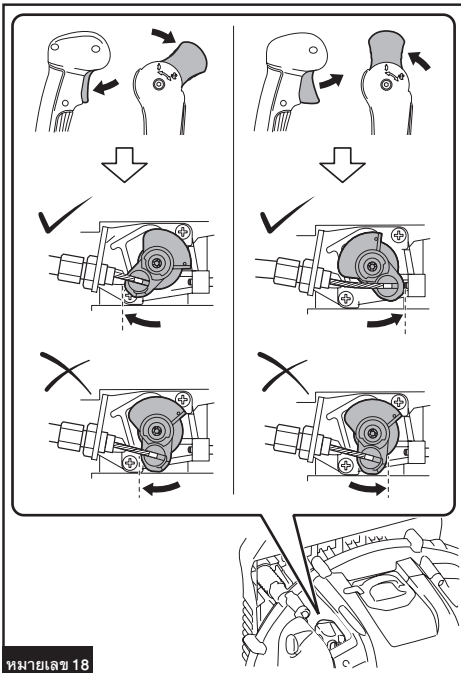
5. ติดท่อยาว/ท่อสั้นเข้ากับท่อแกนหมุน หมุนท่อยาว/ท่อสั้นตามเข็มนาฬิกาเบาๆ เพื่อล็อกเข้าที่ แล้วจึงติดท่อเครื่องเป่าลมเข้ากับท่อยาว/ท่อสั้น หมุนท่อเครื่องเป่าลมตามเข็มนาฬิกาเบาๆ เพื่อล็อกเข้าที่



หมายเลข 17

▶ 1. ท่อยาว/ท่อน้ำ 2. ท่อเครื่องเป่าลม

6. ตรวจสอบว่าตัวยึดทุกตัวขันแน่นแล้ว ตรวจสอบว่าวาล์วคันเร่งเคลื่อนไหวได้ถูกต้องตรงกับการขยับก้านควบคุม



หมายเลข 18

ถ้าคันเร่งไม่สามารถดึงเข้าจนสุด หรือคันเร่งไม่ดันกลับตำแหน่งที่ถูกต้อง, ดูคู่มือส่วนของการบำรุงรักษาสำหรับการปรับวาล์วคันเร่ง

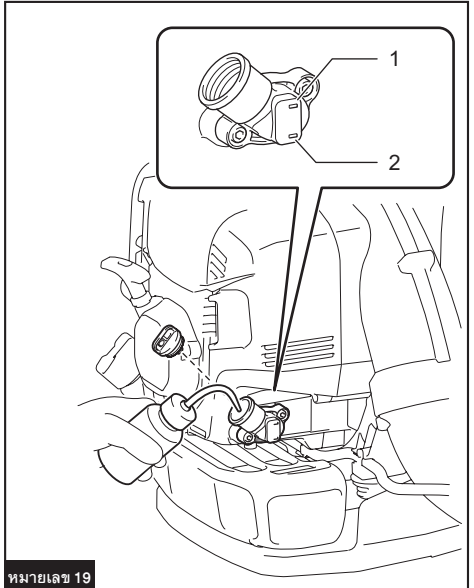
ก่อนสตาร์ทเครื่องยนต์

ตรวจสอบและเติมน้ำมันเครื่อง

⚠ ข้อควรระวัง: เมื่อเติมน้ำมันเครื่อง ให้หยุดเครื่องยนต์และรอให้เครื่องยนต์เย็นลง มิฉะนั้นอาจทำให้ผิวไหม้ได้

ข้อสังเกต: การใช้ น้ำมันที่เสื่อมสภาพจะทำให้เกิดการเริ่มทำงานอย่างผิดปกติ

ข้อสังเกต: กำจัดฝุ่นหรือสิ่งสกปรกที่อยู่ใกล้ช่องเติมน้ำมันก่อนถอดฝาปิดน้ำมัน และทำให้ฝาปิดน้ำมันที่ถอดออกมาแล้วปราศจากทรายหรือฝุ่น มิฉะนั้น ทรายหรือฝุ่นที่ติดอยู่กับฝาปิดน้ำมันอาจทำให้การไหลเวียนของน้ำมันผิดปกติหรือทำให้เกิดการสึกกร่อนในส่วนของเครื่องยนต์ ซึ่งจะทำให้เกิดปัญหาได้



หมายเลข 19

▶ 1. เครื่องหมายจำกัดด้านบน 2. เครื่องหมายจำกัดด้านล่าง

การตรวจสอบ

วางเครื่องเป่าลมลงบนพื้นผิวที่แบนและถอดฝาปิดน้ำมันออก

ตรวจสอบให้แน่ใจว่าระดับน้ำมันอยู่ในช่วงเครื่องหมายจำกัดด้านบนและด้านล่าง หากน้ำมันไม่ถึงขีดจำกัดด้านล่าง ให้เติมน้ำมันใหม่เข้าไป

เปลี่ยนน้ำมันเมื่อน้ำมันสกปรกหรือสีเปลี่ยนอย่างมาก (ดูขั้นตอนและความถี่ในการเปลี่ยนน้ำมันเครื่องจาก “การเปลี่ยนน้ำมันเครื่อง”)

เติมน้ำมัน

วางเครื่องเป่าลมลงบนพื้นผิวที่แบนและถอดฝาปิดน้ำมันออก

เติมน้ำมันจนถึงขีดจำกัดด้านบนของเกจวัดระดับน้ำมัน

โดยเฉลี่ยแล้ว จำเป็นต้องเติมน้ำมันเครื่องหลังจากการใช้งานทุกๆ 20 ชั่วโมง (เติมน้ำมันเครื่องใหม่ทุก 10 - 15)

น้ำมันที่แนะนำ

- น้ำมันเครื่อง Makita 4 จังหวะของแท้ หรือ
- เกรด API ระดับ SF ขึ้นไป, น้ำมัน SAE 10W-40 (น้ำมันเครื่องยนต์ 4 จังหวะ)

ความจุน้ำมัน

ความจุน้ำมัน: ประมาณ 140 ml

ข้อสังเกต: เก็บเครื่องเป่าลมในตำแหน่งตั้งขึ้นบนพื้นผิวที่แบนราบ เกจวัดน้ำมันจะไม่ระบุปริมาณน้ำมันที่ถูกต้อง หากเครื่องเป่าลมเอียงและน้ำมันไหลเข้าไปในเครื่องยนต์ ซึ่งอาจทำให้เติมน้ำมันมากเกินไป

ข้อสังเกต: อย่าเติมน้ำมันมากเกินไป น้ำมันที่มากเกินไปอาจหกออกจากช่องระบายอากาศของตัวพอกอากาศ และทำให้ชิ้นส่วนที่อยู่รอบๆ สกปรก หรืออาจเกิดควันขาวเนื่องจากน้ำมันที่เผาไหม้

หลังการเติมน้ำมัน

เข็ดน้ำมันที่หกด้วยผ้าขี้ริ้ว

การเติมเชื้อเพลิง

คำเตือน: เมื่อเติมน้ำมัน ให้หยุดเครื่องยนต์และรอให้เครื่องยนต์เย็นลง มิฉะนั้นจะเกิดการลุกไหม้ เพลิงไหม้ หรือถูกไฟลวก

คำเตือน: การเติมเชื้อเพลิงจะต้องทำขึ้นในสถานที่ที่ปราศจากเพลิงเพื่อป้องกันไม่ให้เกิดการลุกไหม้ ห้ามนำไฟ (สูบบุหรี่ หรืออื่น ๆ) ไปใกล้สถานที่เติมเชื้อเพลิง

คำเตือน: เติมน้ำมันบนพื้นผิวที่แบนราบ อย่าเติมน้ำมันบนที่ที่ไม่มั่นคง เติมน้ำมันในที่ที่มีแสงสว่างเพียงพอและเห็นได้ชัดเจน

คำเตือน: เปิดฝาด้านน้ำมันเชื้อเพลิงอย่างช้าๆ เชื้อเพลิงอาจหกออกมาเนื่องจากแรงดันภายใน

คำเตือน: ระมัดระวังไม่ให้เชื้อเพลิงหก เช็ดเชื้อเพลิงที่หกออกมา

คำเตือน: ทำการเติมน้ำมันในสถานที่ที่มีอากาศถ่ายเทดี

คำเตือน: เติมน้ำมันในสถานที่โล่งเปิดกว้าง

คำเตือน: จัดการกับเชื้อเพลิงด้วยความระมัดระวัง

ข้อควรระวัง: เชื้อเพลิงที่ติดผิวหนังหรือเข้าตาอาจทำให้เกิดการแพ้หรือการระคายเคือง เมื่อพบว่ามีอาการผิดปกติเกิดขึ้นกับร่างกาย ให้ปรึกษาผู้เชี่ยวชาญทางการแพทย์ทันที

ข้อสังเกต: อย่าใส่น้ำมันเข้าไปในถังน้ำมันเชื้อเพลิง

เชื้อเพลิง

คำเตือน: ให้เครื่องมือและถังอยู่ในที่เย็นและไม่ถูกแสงส่องโดยตรง

คำเตือน: ห้ามเก็บเชื้อเพลิงไว้ในรถ

เครื่องยนต์เป็นเครื่องยนต์ 4 จังหวะ ตรวจสอบให้แน่ใจว่าใช้น้ำมันเบนซินสำหรับรถยนต์ (น้ำมันเบนซินทั่วไปหรือเกรดพรีเมียม)

ข้อสังเกต: ห้ามใช้น้ำมันเบนซินผสมกับน้ำมันอื่น อย่างเช่น น้ำมันเครื่องยนต์ 2 จังหวะหรือน้ำมันเครื่อง มิฉะนั้นอาจทำให้เกิดการสะสมของคาร์บอนมากเกินไปหรือเกิดปัญหาทางด้านกลไก

หมายเหตุ: เก็บเชื้อเพลิงไว้ในภาชนะพิเศษในที่ที่มีอากาศถ่ายเทดีและอยู่ในที่ร่ม ใช้เชื้อเพลิงภายในระยะเวลา 4 สัปดาห์ มิฉะนั้น เชื้อเพลิงอาจเสื่อมสภาพ

วิธีการเติมเชื้อเพลิง

⚠ ข้อควรระวัง: หากมีตำหนิหรือความเสียหายที่ฝาถัง ให้เปลี่ยนฝาใหม่

⚠ ข้อควรระวัง: ฝาถังจะล็อกหรือได้เมื่อระยะเวลาผ่านไป เปลี่ยนฝาใหม่ทุก 2 ถึง 3 ปี

ข้อสังเกต: อย่าเติมเชื้อเพลิงลงในช่องเติมน้ำมัน

1. คลายฝาถังเล็กน้อยเพื่อระบายแรงดันของถัง
2. ถอดฝาถังออกและเติมเชื้อเพลิง โดยระบายลมออกด้วยการเอียงถังน้ำมันเชื้อเพลิงเพื่อให้ช่องเติมเชื้อเพลิงตั้งขึ้น อย่าเติมเชื้อเพลิงจนถึงส่วนบนสุดของถัง
3. หลังเติมเชื้อเพลิงแล้ว ให้ขันฝาถังให้แน่น

การใช้งาน

การสตาร์ทเครื่องยนต์

⚠ คำเตือน: ห้ามพยายามสตาร์ทเครื่องยนต์ในสถานที่เติมเชื้อเพลิง เนื่องจากอาจก่อให้เกิดการลุกไหม้ เมื่อสตาร์ทเครื่องยนต์ ให้อยู่ห่างจากสถานที่เติมเชื้อเพลิงอย่างน้อย 3 เมตร

⚠ คำเตือน: ก๊าซไอเสียจากเครื่องยนต์เป็นก๊าซพิษ อย่าใช้งานเครื่องยนต์ในที่ที่มีอากาศถ่ายเทไม่ดี เช่นในอุโมงค์ อาคาร และอื่นๆ การใช้งานเครื่องยนต์ในที่ที่มีอากาศถ่ายเทไม่ดีอาจทำให้ได้รับพิษจากก๊าซไอเสีย

⚠ คำเตือน: ในกรณีที่ตรวจพบความผิดปกติในเรื่องเสียง กลิ่น การสั่นสะเทือนหลังสตาร์ท ให้หยุดเครื่องยนต์ทันทีและทำการตรวจสอบ หากใช้งานเครื่องยนต์โดยไม่สนใจความผิดปกติดังกล่าว อาจทำให้เกิดอุบัติเหตุขึ้นได้

⚠ คำเตือน: อย่าสัมผัสฝาครอบเครื่องยนต์ที่ยังร้อน มิฉะนั้นอาจทำให้ผิวไหม้ได้

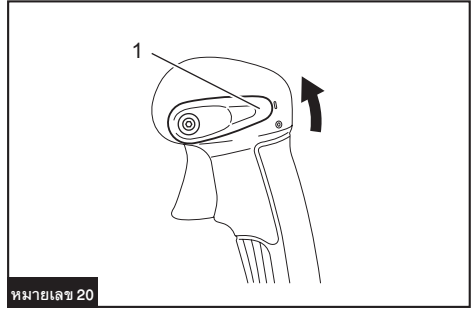
⚠ คำเตือน: ตรวจสอบให้แน่ใจว่าไม่มีเชื้อเพลิงรั่วออกมาก่อนสตาร์ทเครื่องยนต์

⚠ คำเตือน: ตรวจสอบให้แน่ใจว่าเครื่องยนต์หยุดเมื่อสวิตช์หยุดการทำงานอยู่ที่ตำแหน่ง "I"

เมื่อเครื่องยนต์เย็นหรือหลังจากเติมเชื้อเพลิง (เปิดเครื่อง)

1. วางเครื่องเป่าลมลงบนพื้นราบ
2. ตำแหน่ง I/O

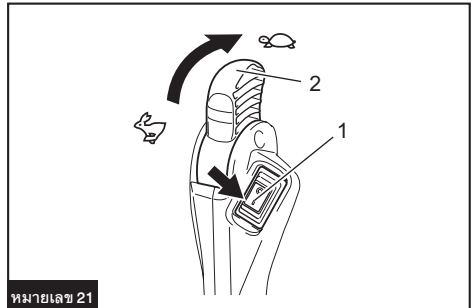
สำหรับรุ่นที่ก้านควบคุมติดต่อ: ให้ก้านควบคุมการหยุดทำงานอยู่ที่ตำแหน่ง "I"



หมายเลข 20

- ▶ 1. ก้านควบคุมการหยุดทำงาน

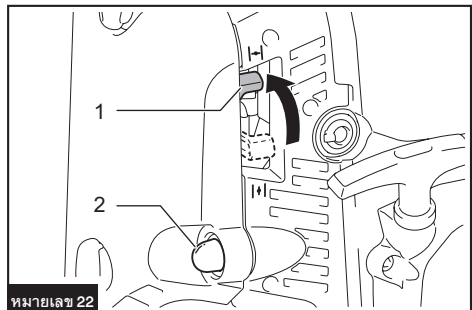
สำหรับรุ่นที่มีก้านควบคุมระดับสเปก: ให้สวิตช์หยุดการทำงานอยู่ที่ตำแหน่ง "I" และตรวจสอบให้แน่ใจว่าก้านเปิดปิดอยู่ในตำแหน่งความเร็วต่ำ



หมายเลข 21

- ▶ 1. สวิตช์หยุดการทำงาน 2. ก้านเปิดปิด

3. ดันปุ่มดูดเชื้อเพลิงต่อไปจนเชื้อเพลิงเข้าไปในปุ่มดูดเชื้อเพลิง



หมายเลข 22

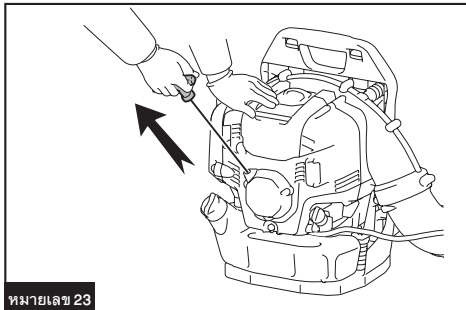
- ▶ 1. แกนโซ่ 2. ปุ่มดูดเชื้อเพลิง

หมายเหตุ: โดยทั่วไปแล้ว เชื้อเพลิงจะเข้าสู่คาร์บูเรเตอร์ในการรด 7 ถึง 10 ครั้ง

หมายเหตุ: แม้จะกดปุ่มดูดเชื้อเพลิงมากเกินไป แต่น้ำมันเบนซินส่วนเกินจะกลับสู่ถังน้ำมันเชื้อเพลิง

4. ยกแกนโซ้คไปที่ตำแหน่งปิด

5. วางมือซ้ายด้านบนของเครื่องเป่าลม และดึงมือจับสตาร์ทเตอร์ซ้ำ ด้วยมือขวา จนกระทั่งรู้สึกถึงแรงต้าน จากนั้นดึงมือจับสตาร์ทเตอร์ลงอย่างแรง



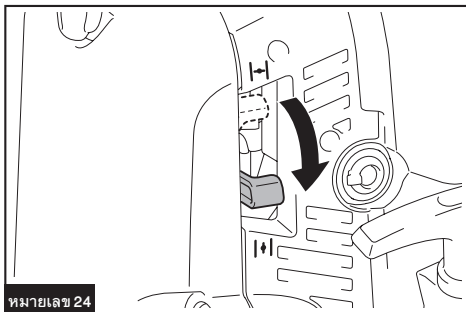
หมายเลข 23

ข้อสังเกต: อย่าดึงเชือกขึ้นจนสุด

ข้อสังเกต: ปล่อยให้ปั๊มหมუნสตาร์ทเตอร์หดกลับไป ที่กรอบอย่างเบา มิฉะนั้นปั๊มหมუნสตาร์ทเตอร์อาจ กระแทกร่างกายหรือไม่หมุนกลับอย่างถูกต้อง

หมายเหตุ: หากเครื่องยนต์ติดและดับ ให้ดันก้านโซ้คกลับไปที่ตำแหน่ง “เปิด” และดึงมือจับสตาร์ทเตอร์หลายครั้งเพื่อสตาร์ทเครื่องยนต์อีกครั้ง

6. เมื่อเครื่องยนต์เริ่มทำงาน ให้กดก้านโซ้คลงไปที่ตำแหน่งเปิด



หมายเลข 24

หมายเหตุ: เปิดก้านโซ้คจนสุดก่อนดิ่งลิ้นเปิดปิด

หมายเหตุ: ในอุณหภูมิที่หนาวเย็นหรือเมื่อเครื่องยนต์อุ่นไม่พอ ห้ามเปิดก้านโซ้คแบบกะทันหัน มิฉะนั้นเครื่องยนต์จะหยุดทำงาน

7. อุณหภูมิเครื่องเป็นเวลา 2 ถึง 3 นาทีด้วยความเร็วแบบรอบเดินเบาหรือความเร็วต่ำ

8. การอุ่นเครื่องจะเสร็จสิ้นเมื่อรู้สึกได้ว่าการเร่งความเร็วเครื่องยนต์อย่างรวดเร็วจากรอบเครื่องต่ำไปจนถึงการเร่งเครื่องเต็มที่

หมายเหตุ: หากผู้ปฏิบัติงานดึงมือจับสตาร์ทเตอร์หลายครั้งโดยที่แกนโซ้คยังอยู่ที่ตำแหน่ง “ปิด” เครื่องยนต์อาจสตาร์ทติดยากเนื่องจากเชื้อเพลิงท่วม ในกรณีนี้ที่เชื้อเพลิงท่วม ให้ถอดหัวเทียนออกและดึงมือจับหลายๆ ครั้งอย่างรวดเร็วเพื่อระบายเชื้อเพลิงส่วนเกิน เช็ดอิเล็กโทรดหัวเทียนให้แห้ง

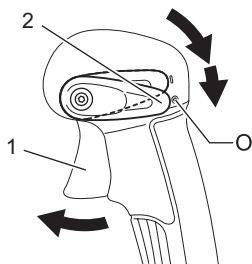
เมื่อเครื่องยนต์อุ่น (เริ่มเครื่องใหม่)

⚠ ข้อควรระวัง: ระมัดระวังให้ความร้อนลวกมือ สวมถุงมือสองข้างเมื่อสตาร์ทเครื่องยนต์

1. วางเครื่องเป่าลมลงบนพื้นราบ
2. กดปุ่มดูดเชื้อเพลิงหลายๆ ครั้ง
3. ตรวจสอบให้แน่ใจว่าแกนโซ้คเปิดอยู่
4. วางมือซ้ายด้านบนของเครื่องเป่าลม และดึงมือจับสตาร์ทเตอร์ซ้ำ ด้วยมือขวา จนกระทั่งรู้สึกถึงแรงต้าน จากนั้นดึงมือจับสตาร์ทเตอร์ลงอย่างแรง

การหยุดเครื่องยนต์

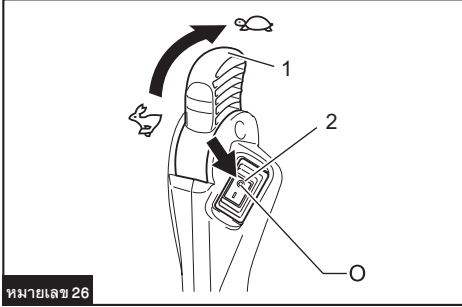
สำหรับรุ่นที่ก้านควบคุมตัดท่อ: ปล่อยให้สวิตช์เปิดปิดแล้วจึงดันก้านควบคุมการหยุดทำงานให้อยู่ที่ตำแหน่ง “O”



หมายเลข 25

- ▶ 1. สวิตช์เปิดปิด 2. ก้านควบคุมการหยุดทำงาน

สำหรับรุ่นที่มีก้านควบคุมระดับสเปค: ให้ก้านเปิดปิดอยู่ที่ตำแหน่งความเร็วต่ำเพื่อลดความเร็วเครื่องยนต์ แล้วจึงให้สวิตช์หยุดการทำงานอยู่ที่ตำแหน่ง "O"



หมายเลข 26

- ▶ 1. ก้านเปิดปิด 2. สวิตช์หยุดการทำงาน

การป้องกันไม่ให้น้ำแข็งเกาะคาร์บูเรเตอร์

ข้อสังเกต: เมื่ออุณหภูมิแวดล้อมสูงกว่า 10°C ให้ดันก้านกลับสู่ตำแหน่งปกติ (เครื่องหมายดวงอาทิตย์) มิฉะนั้นเครื่องยนต์อาจเสียหายเนื่องจากความร้อนสูงเกินไป

เมื่ออุณหภูมิแวดล้อมต่ำและความชื้นสูง ไอน้ำอาจกลายเป็นน้ำแข็งภายในคาร์บูเรเตอร์และเครื่องยนต์ได้อย่างไม่มั่นคง (คาร์บูเรเตอร์เป็นน้ำแข็ง) เปลี่ยนตำแหน่งก้านป้องกันน้ำแข็งจับตั้งนี้หากจำเป็น

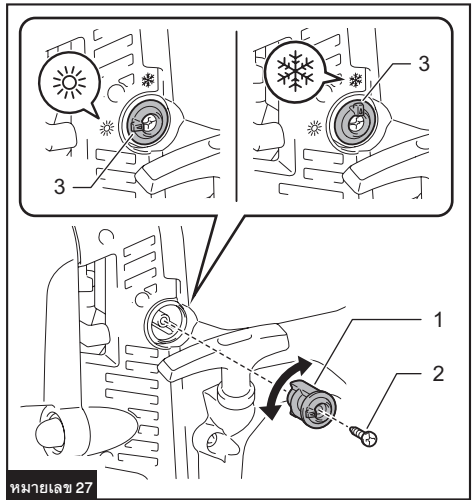
1. ถอดสกรูและดึงก้านป้องกันน้ำแข็งจับออกมา
2. ดันก้านป้องกันน้ำแข็งจับเข้าไปดังนี้

เมื่ออากาศร้อนอุณหภูมิเกินกว่า 10°C

หันปุ่มบนก้านให้ตรงกับรูปดวงอาทิตย์ (ตำแหน่งอากาศร้อน)

10°C หรืออุณหภูมิต่ำกว่า

หันปุ่มบนก้านให้ตรงกับรูปเกล็ดหิมะ (ตำแหน่งป้องกันน้ำแข็งจับ)



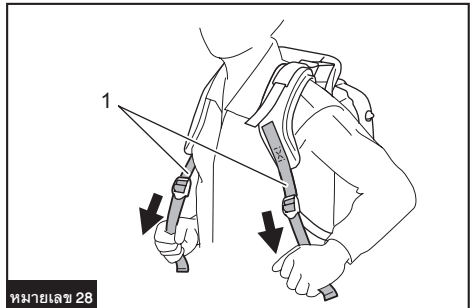
หมายเลข 27

- ▶ 1. ก้านป้องกันน้ำแข็งจับ 2. สกรู 3. ปุ่มบนก้าน
3. ชันสกรูให้แน่น

การปรับสายสะพายไหล่

1. ปรับสายสะพายไหล่ในความยาวที่เหมาะสมกับการทำงานขณะสะพายเครื่องเป่าลม

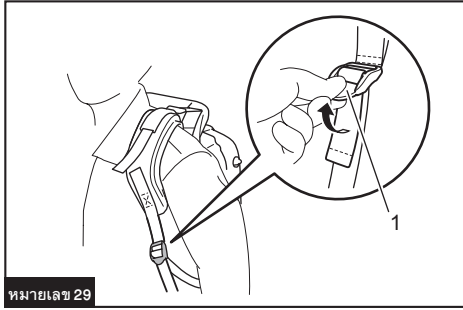
เมื่อต้องการขันสายรัด ให้ดึงปลายสายลง



หมายเลข 28

- ▶ 1. สายสะพายไหล่

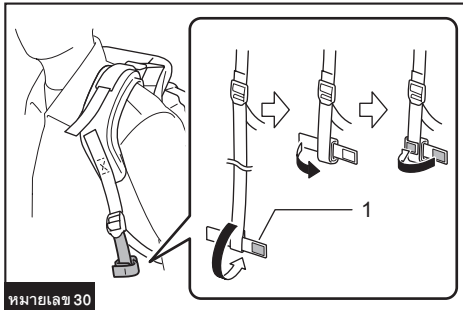
เมื่อต้องการคลายสายรัด ให้ดึงปลายตัวยึดขึ้น



หมายเลข 29

▶ 1. ตัวยึด

ม้วนเก็บปลายสายและยึดด้วยสายรัด

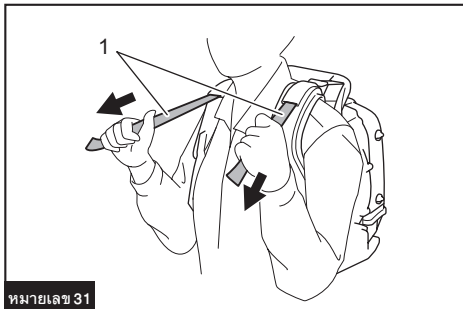


หมายเลข 30

▶ 1. สายรัด

2. ดึงสายคาดจนไม่มีช่องว่างเหลือระหว่างแผ่นหลังและกรอบเครื่องเป่าลม

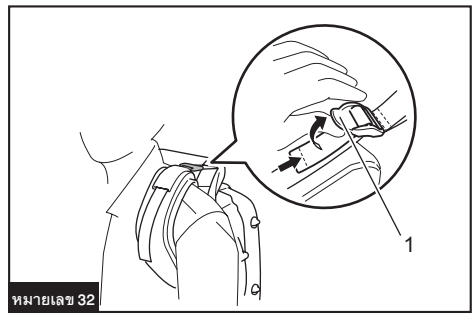
เมื่อต้องการรัดสายรัด ให้ดึงปลายสายลง



หมายเลข 31

▶ 1. สายคาด

เมื่อต้องการคลายสายรัด ให้ดึงปลายตัวยึดขึ้น



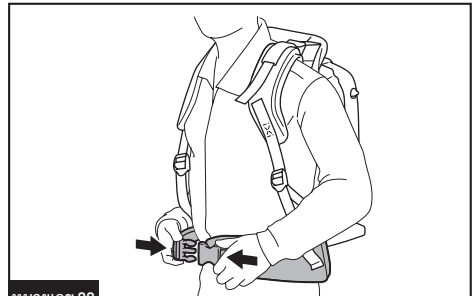
หมายเลข 32

▶ 1. ตัวยึด

เข็มขัดคาดสะโพก

อุปกรณ์เสริม

เข็มขัดคาดสะโพกทำให้ผู้ปฏิบัติงานสะพายเครื่องมือได้อย่างมั่นคงยิ่งขึ้น

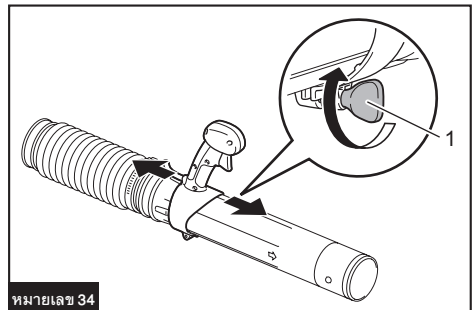


หมายเลข 33

⚠ ข้อควรระวัง: ให้ปลดหัวเข็มขัดที่สะโพกก่อนจะปลดเครื่องเป่าลม

การปรับตำแหน่งก้านควบคุม

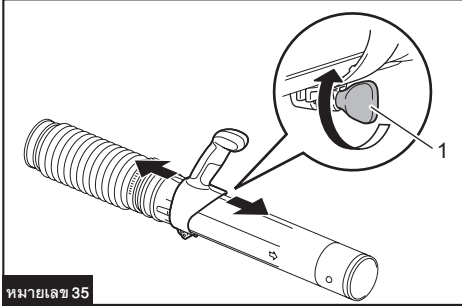
สำหรับรุ่นที่ก้านควบคุมติดท่อ: ขยับมือจับควบคุมตามท่อแกนหมุนไปยังตำแหน่งที่สบายที่สุด แล้วขันมือจับควบคุมด้วยสกรูยึด



หมายเลข 34

▶ 1. สกรูยึด

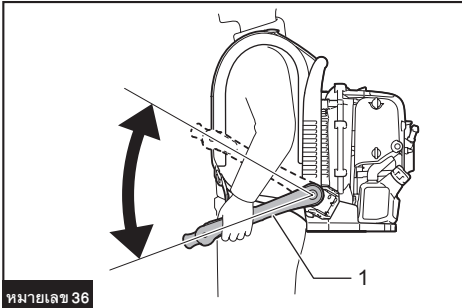
สำหรับรุ่นที่มีก้านควบคุมระดับสะโพก: ขยับชุดมือจับควบคุมตามท่อนแกนหมุนไปยังตำแหน่งที่สบายที่สุด แล้วขันมือจับด้วยสกรูยึด



หมายเลข 35

- ▶ 1. สกรูยึด

ปรับมุมของแขนควบคุม



หมายเลข 36

- ▶ 1. แขนควบคุม

การใช้งานเครื่องเป่าลม

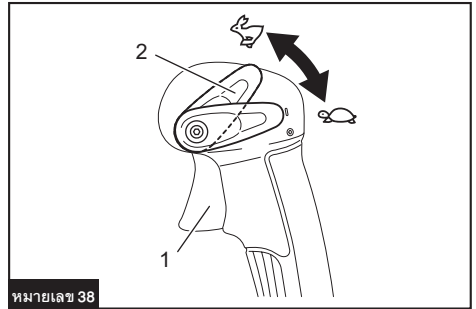


หมายเลข 37

1. ขณะใช้งานเครื่องเป่าลม ให้ปรับสวิตช์เปิดปิด/ก้านเปิดปิดเพื่อให้แรงลมเหมาะสมกับสถานที่ทำงานและสภาพการทำงาน

2. การปรับความเร็วเครื่องยนต์

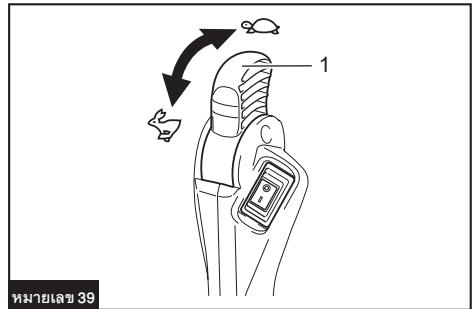
สำหรับรุ่นที่ก้านควบคุมติดท่อ: ความเร็วเครื่องยนต์เพิ่มขึ้นด้วยการดึงสวิตช์เปิดปิด หากต้องการลดความเร็วเครื่องยนต์ ให้คลายสวิตช์เปิดปิด ฟังก์ชันควบคุมความเร็วอัตโนมัติทำให้ผู้ปฏิบัติงานสามารถรักษาความเร็วเครื่องยนต์ได้อย่างต่อเนื่องโดยไม่ต้องดึงก้านเปิดปิด หากต้องการเพิ่มความเร็วเครื่องยนต์ ให้หมุนก้านควบคุมการหยุดทำงานไปที่ความเร็วสูง หากต้องการลดความเร็วเครื่องยนต์ ให้หมุนก้านควบคุมการหยุดทำงานไปที่ความเร็วต่ำ



หมายเลข 38

- ▶ 1. สวิตช์เปิดปิด 2. ก้านควบคุมการหยุดทำงาน

สำหรับรุ่นที่มีก้านควบคุมระดับสะโพก: หากต้องการเพิ่มความเร็วเครื่องยนต์ ให้หมุนก้านเปิดปิดไปที่ความเร็วสูง หากต้องการลดความเร็วเครื่องยนต์ ให้หมุนก้านเปิดปิดไปที่ความเร็วต่ำ



หมายเลข 39

- ▶ 1. ก้านเปิดปิด

การเคลื่อนย้ายเครื่องเป่าลม

⚠ ข้อควรระวัง: เมื่อเคลื่อนย้ายเครื่องเป่าลม ตรวจสอบให้แน่ใจว่าหยุดเครื่องยนต์แล้ว

ข้อสังเกต: อย่างนั่งหรือยืนบนเครื่องเป่าลมหรือวางสิ่งของน้ำหนักมากบนเครื่อง เนื่องจากอาจทำให้เครื่องมือเสียหายได้

ข้อสังเกต: ให้เครื่องเป่าลมอยู่ในตำแหน่งตั้งขึ้นเมื่อเคลื่อนย้ายหรือเก็บรักษา การเคลื่อนย้ายหรือเก็บรักษาแบบไม่ตั้งขึ้นอาจทำให้น้ำมันหกภายในเครื่องยนต์ของเครื่องเป่าลม ซึ่งอาจทำให้น้ำมันรั่วและเกิดควันขาวเนื่องจากน้ำมันที่เผาไหม้ และตัวพอกอากาศอาจสกปรกเนื่องจากน้ำมัน

ข้อสังเกต: อย่าลากเครื่องเป่าลมขณะเคลื่อนย้าย มิฉะนั้นกรอบเครื่องเป่าลมอาจเสียหายได้

ข้อสังเกต: ห้ามทิ้งน้ำมันเครื่องที่ถ่ายออกแล้วลงในขยะ พื้นดิน หรือน้ำเสีย การกำจัดน้ำมันต้องปฏิบัติตามข้อบังคับในทางกฎหมาย ในการกำจัด ให้ปฏิบัติตามกฎหมายและข้อบังคับที่เกี่ยวข้องเสมอ สำหรับประเด็นอื่นๆ ที่ยังไม่ทราบ ให้ติดต่อตัวแทนผู้ให้บริการที่ได้รับอนุญาต

ข้อสังเกต: น้ำมันจะเสื่อมสภาพลงแม้ว่าจะเก็บไว้โดยที่ยังไม่ได้อใช้งาน ทำการตรวจสอบและเปลี่ยนตามรอบระยะเวลาทั่วไป (เปลี่ยนน้ำมันใหม่ทุกๆ 6 เดือน)

น้ำมันเครื่องที่เสื่อมสภาพแล้วจะทำให้อายุการใช้งานของชิ้นส่วนที่เคลื่อนและหมุนลดลงมากที่สุด ตรวจสอบระยะเวลาและปริมาณในการเปลี่ยนถ่าย

รอบระยะเวลาในการเปลี่ยนถ่าย

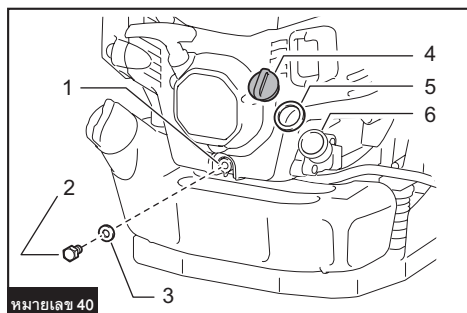
หลังจากทำงานแล้ว 20 ชั่วโมงแรก และหลังจากนั้นทุกๆ 50 ชั่วโมงการทำงาน

น้ำมันที่แนะนำ

- น้ำมันเครื่อง Makita 4 จังหวะของแท้ หรือ
- เกรด API ระดับ SF ขึ้นไป, น้ำมัน SAE 10W-30 (น้ำมันเครื่องยนต์ 4 จังหวะ)

ขั้นตอนการเปลี่ยนน้ำมัน

เปลี่ยนน้ำมันดังนี้:



- ▶ 1. ระบุบาย 2. สลักเกลียวระบายน้ำมัน 3. ปะเก็น (แหวนอะลูมิเนียม) 4. ฝาปิดน้ำมัน 5. ปะเก็นฝาปิดน้ำมัน 6. ช่องเติมน้ำมัน

1. วางเครื่องเป่าลมลงบนพื้นผิวที่ราบเรียบ
2. วางภาชนะใส่น้ำมันเก่าไว้ใต้รูระบายเพื่อรองรับน้ำมันขณะที่ระบายออก ภาชนะควรมีความจุอย่างน้อย 140 ml เพื่อรองรับน้ำมันทั้งหมด
3. คลายสลักเกลียวระบายน้ำมันเพื่อระบายน้ำมันออก ระวังอย่าให้น้ำมันเข้าไปในถังน้ำมันเชื้อเพลิงหรือส่วนอื่นๆ

การบำรุงรักษา

⚠ ข้อควรระวัง: ก่อนทำการตรวจสอบและบำรุงรักษา ให้หยุดเครื่องยนต์และทิ้งไว้ให้เย็น ถอดหัวเทียนและฝาปิดหัวเทียน มิฉะนั้น ผู้ปฏิบัติงานอาจถูกไฟลวกหรือเกิดการบาดเจ็บร้ายแรงเนื่องจากการทำงานโดยบังเอิญ

⚠ ข้อควรระวัง: หลังทำการตรวจสอบและบำรุงรักษา ให้ตรวจสอบให้แน่ใจว่าได้ประกอบทุกส่วนเข้าด้วยกันแล้ว

การเปลี่ยนน้ำมันเครื่อง

⚠ ข้อควรระวัง: ส่วนหลักของเครื่องยนต์และน้ำมันเครื่องจะยังร้อนอยู่หลังจากที่เครื่องยนต์หยุดแล้ว เมื่อเปลี่ยนน้ำมันเครื่อง ให้ตรวจสอบให้แน่ใจว่าส่วนหลักของเครื่องยนต์และน้ำมันเครื่องเย็นลงพอแล้ว มิฉะนั้นอาจเสี่ยงต่อการถูกลวกได้ เว้นระยะเวลาให้เพียงพอหลังจากหยุดเครื่องยนต์เพื่อให้ น้ำมันเครื่องกลับเข้าไปในถังน้ำมัน เพื่อให้สามารถอ่านค่าปริมาณน้ำมันได้อย่างถูกต้อง

⚠ ข้อควรระวัง: หากเติมน้ำมันเกินขีดจำกัด น้ำมันอาจสกปรกหรือติดไฟและเกิดควันขาว

ข้อสังเกต: ระวังอย่าทำปะเก็น (แหวนอะลูมิเนียม) สูญหาย วางสลักเกลียวระบายน้ำมันในที่ที่ไม่สกปรก

4. ถอดฝาปิดน้ำมันออก (การถอดฝาปิดน้ำมันจะทำให้ น้ำมันระบายได้อย่างง่ายดาย)

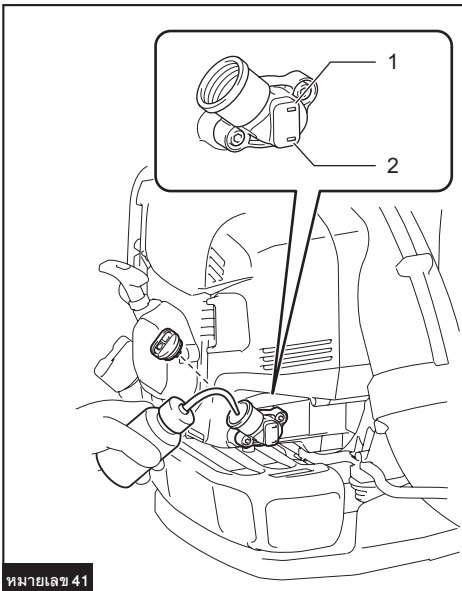
ข้อสังเกต: ตรวจสอบให้แน่ใจว่าวางฝาปิดน้ำมันในที่ที่ไม่สกปรก

5. เมื่อระดับน้ำมันที่ระบายลดลง ให้เอียงเครื่องเป่าลมในด้านที่มีรูระบายเพื่อระบายน้ำมันออกให้หมด

6. หลังจากที่ระบายน้ำมันออกหมดแล้ว ชันสลักเกลียวระบายน้ำมันให้แน่น ถ้าไม่ขันสลักเกลียวให้แน่น อาจทำให้ น้ำมันรั่วได้

ข้อสังเกต: อย่าลืมนใส่ปะเก็น (แหวนอะลูมิเนียม) กลับเข้าไปเมื่อใส่ปลั๊กระบายคืน

7. เทน้ำมันประมาณ 140 ml เข้าไปในช่องเติมน้ำมัน จนถึงเครื่องหมายจำกัดด้านบน



หมายเลข 41

▶ 1. เครื่องหมายจำกัดด้านบน 2. เครื่องหมายจำกัดด้านล่าง

8. หลังจากเติมน้ำมันแล้ว ให้ขันฝาปิดน้ำมันให้แน่นเพื่อป้องกันไม่ให้น้ำมันรั่ว

ข้อสังเกต: อย่าลืมนใส่ปะเก็นฝาปิดน้ำมันกลับเข้าไปเมื่อใส่ฝาปิดน้ำมันคืน

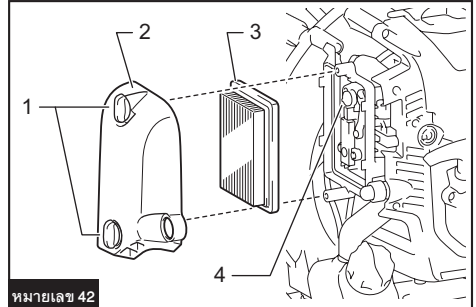
การทำความสะอาดตัวพอกอากาศ

คำเตือน: ห้ามใช้วัสดุไวไฟโดยเด็ดขาด

รอบการทำความสะอาดและตรวจสอบ

ทุกวัน (ทุก 10 ชั่วโมงทำงาน)

ขั้นตอนการทำความสะอาด



หมายเลข 42

▶ 1. สลักเกลียวปุ่มหมุน 2. ฝาครอบตัวพอกอากาศ 3. ส่วนประกอบ 4. ช่องระบายอากาศ

1. คลายสลักเกลียวปุ่มหมุน
2. ถอดฝาครอบตัวพอกอากาศ
3. ถอดส่วนประกอบและทำความสะอาดฝุ่นผงบนส่วนประกอบด้วยผ้าหรือโซลเม้นท์เป่า เปลี่ยนส่วนประกอบเป็นชิ้นใหม่หากเสียหายหรือสกปรกมาก

หมายเหตุ: ส่วนประกอบเป็นประเภทแห้งและอย่าทำให้เปียก ห้ามล้างด้วยน้ำ

4. เช็ดน้ำมันที่อยู่รอบช่องระบายอากาศด้วยผ้าซีวีวีหรือผ้าอื่น
5. ติดตั้งส่วนประกอบในฝาตัวพอกอากาศ
6. ติดฝาครอบตัวพอกอากาศและขันสลักเกลียวปุ่มหมุน

ข้อสังเกต: ทำความสะอาดส่วนประกอบหลายครั้งต่อวัน หากมีฝุ่นผงติดมากเกินไปเนื่องจากสภาพแวดล้อมที่มีฝุ่นมาก

ข้อสังเกต: หากทำงานต่อโดยที่ส่วนประกอบยังมีน้ำมันติดอยู่ น้ำมันในตัวพอกอากาศอาจวิ่งลงมาด้านนอก ทำให้น้ำมันปนเปื้อน

การตรวจสอบหัวเทียน

⚠ ข้อควรระวัง: อย่าสัมผัสหัวเทียนขณะที่เครื่องยนต์กำลังทำงาน มิฉะนั้นอาจถูกกระแสไฟฟ้าช็อตได้

⚠ ข้อควรระวัง: ให้กั้นควบคุมการหยุดทำงาน/สวิตช์หยุดการทำงานอยู่ที่ตำแหน่งปิด "O"

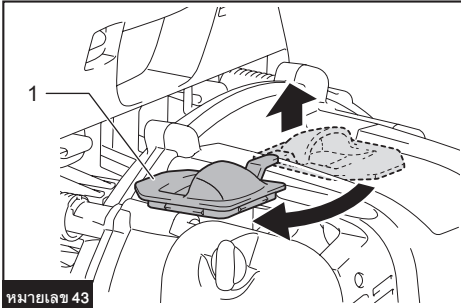
⚠ ข้อควรระวัง: ตรวจสอบสายไฟหัวเทียนเป็นประจำ หากเสียหายหรือฉีกขาด ให้เปลี่ยนใหม่ มิฉะนั้นอาจถูกกระแสไฟฟ้าช็อตได้

ข้อสังเกต: เมื่อถอดหัวเทียนออก ให้ทำความสะอาดหัวเทียนและหัวกระบอกสูบก่อน เพื่อให้ไม่มีฝุ่นผง ทราย และอื่นๆ เข้าไปในกระบอกสูบ

ข้อสังเกต: ถอดหัวเทียนออกหลังจากที่เครื่องยนต์เย็นลงแล้วเพื่อหลีกเลี่ยงไม่ให้เกิดความเสียหายต่อรูเกลียวในกระบอกสูบ

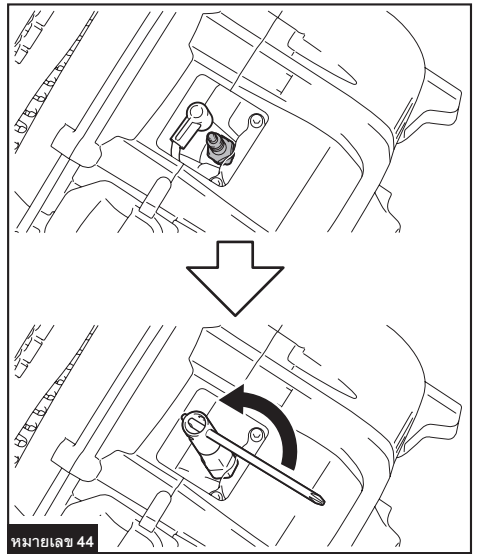
ข้อสังเกต: ติดตั้งหัวเทียนเข้าไปในรูเกลียวอย่างถูกต้อง หากติดตั้งแบบเอียงๆ รูเกลียวในกระบอกสูบจะเสียหายได้

1. หากต้องการเปิดฝาครอบหัวเทียน ให้ยกขึ้นและหมุนครึ่งรอบ



หมายเลข 43

- ▶ 1. ฝาครอบหัวเทียน
2. ใช้ประแจแหวนที่ให้เป็นอุปกรณ์มาตรฐานเพื่อถอดและติดตั้งหัวเทียน

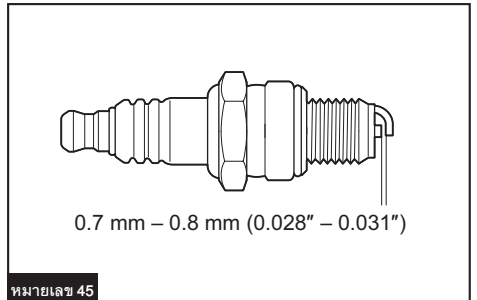


หมายเลข 44

3. ระยะห่างที่เหมาะสมระหว่างอิเล็กโทรด 2 อันของหัวเทียนคือ 0.7 ถึง 0.8 mm ปรับระยะห่างให้ถูกต้องเมื่อกว้างหรือแคบเกินไป

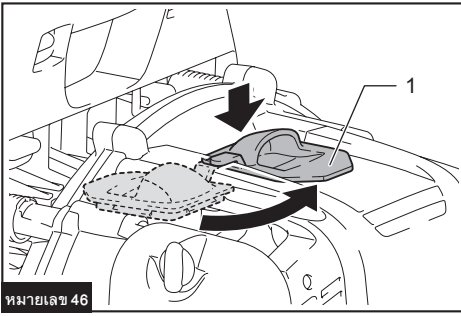
ทำความสะอาดหัวเทียนให้ทั่วหรือเปลี่ยนใหม่หากมีคาร์บอนสะสมหรือปนเปื้อน

หากเปลี่ยนใหม่ ให้ใช้ NGK CMR6H



หมายเลข 45

4. หากต้องการปิดฝาครอบหัวเทียน ให้หมุนครึ่งรอบและกดครอบส่วนที่ไว้



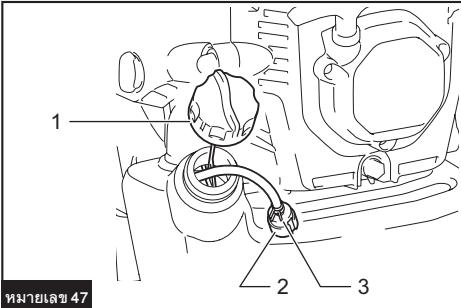
▶ 1. ฝาครอบหัวเทียน

การทำความสะอาดตัวกรองเชื้อเพลิง

⚠ ข้อควรระวัง: ตรวจสอบให้แน่ใจว่าถังน้ำมันเชื้อเพลิงไม่เสียหาย หากเกิดความเสียหายจนถึงน้ำมันเชื้อเพลิงให้นำไปซ่อมแซมที่ศูนย์บริการที่ผ่านการรับรองโดยทันที

ข้อสังเกต: ทำความสะอาดตัวกรองเชื้อเพลิงเป็นประจำ ตัวกรองเชื้อเพลิงที่อุดตันอาจทำให้สตาร์ทเครื่องได้ยากหรือเร่งความเร็วเครื่องยนต์ไม่ขึ้น

ตรวจสอบตัวกรองเชื้อเพลิงเป็นประจำดังนี้:



▶ 1. ฝาปิดถังน้ำมันเชื้อเพลิง 2. ตัวกรองเชื้อเพลิง 3. ตัวหนีบท่อ

1. ถอดฝาปิดถังน้ำมันเชื้อเพลิง ระบายเชื้อเพลิงออกเพื่อให้ถังว่าง ตรวจสอบหาสิ่งแปลกปลอมด้านในของถัง หากมีให้เช็ดสิ่งแปลกปลอมออกให้สะอาด
2. ดึงตัวกรองเชื้อเพลิงออกทางช่องเติมเชื้อเพลิงด้วยหลอด
3. หากพื้นผิวของตัวกรองเชื้อเพลิงมีการปนเปื้อน ให้ทำความสะอาดด้วยน้ำมันเบนซิน

ข้อสังเกต: ปฏิบัติตามวิธีที่ทางการท้องถิ่นระบุเพื่อการกำจัดน้ำมันเบนซินที่ใช้ในการทำความสะอาดตัวกรองเชื้อเพลิง

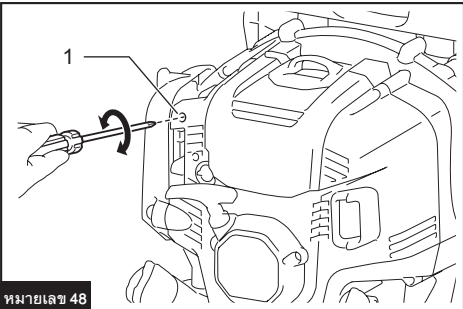
ข้อสังเกต: เปลี่ยนตัวกรองเชื้อเพลิงหากมีการปนเปื้อนมากเกินไป

4. หลังทำการตรวจสอบ ทำความสะอาดหรือเปลี่ยนใหม่ ให้ใส่ตัวกรองเชื้อเพลิงเข้าไปในท่อเชื้อเพลิงและยึดไว้ด้วยตัวหนีบท่อ ดึงตัวกรองเชื้อเพลิงในถังน้ำมันเชื้อเพลิงและขันฝาถังน้ำมันเชื้อเพลิงให้แน่น

การปรับความเร็วรอบเดินเบา

⚠ ข้อควรระวัง: คาร์บูเรเตอร์ได้รับการปรับตั้งมาจากรองาน ห้ามปรับอย่างอื่นนอกเหนือจากความเร็วรอบเดินเบา หากต้องการปรับอย่างอื่น ให้สอบถามศูนย์บริการที่ผ่านการรับรอง

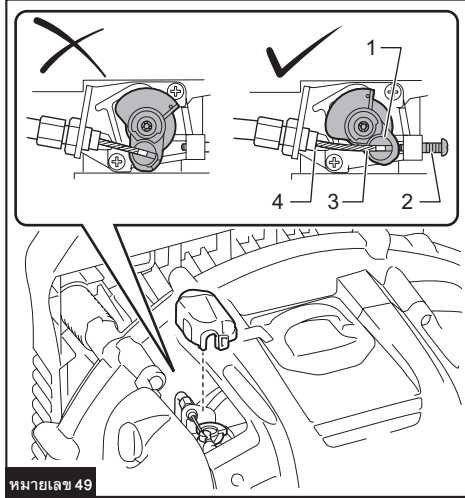
การหมุนด้วยความเร็วต่ำที่เหมาะสมคือ $2,800 \text{ min}^{-1}$ (รอบต่อนาที)
หากจำเป็นต้องเปลี่ยนความเร็วในการหมุน ให้ปรับความเร็วรอบเดินเบาด้วยไขควง Phillips หากเครื่องยนต์หยุดหรือทำงานอย่างไม่สม่ำเสมอในรอบเดินเบา ให้หมุนสกรูปรับไปทางขวา แล้วความเร็วรอบเดินเบาจะเพิ่มขึ้น หากเครื่องยนต์เป่าลมแรงเกินไปในรอบเดินเบา ให้หมุนสกรูปรับไปทางซ้าย แล้วความเร็วรอบเดินเบาจะลดลง



▶ 1. สกรูปรับรอบเดินเบา

การตรวจสอบลิ้นปีกผีเสื้อ

หากสายไฟควบคุมหรือติดอยู่ ลิ้นปีกผีเสื้อจะไม่สัมผัสกับสกรูปรับรอบเดินเบา และทำให้เครื่องยนต์ไม่ทำงานในรอบเดินเบาอย่างถูกต้อง ในกรณีดังกล่าว ให้เปลี่ยนตำแหน่งสายไฟควบคุมเพื่อให้แน่ใจว่าวาล์วเคลื่อนไหวอย่างถูกต้อง

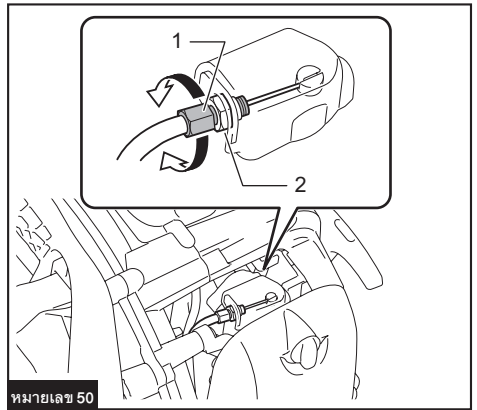


หมายเลข 49

- ▶ 1. ลิ้นปีกผีเสื้อ 2. สกรูปรับรอบเดินเบา 3. สายไฟควบคุม 4. ตัวหยุดลิ้นปีกผีเสื้อ

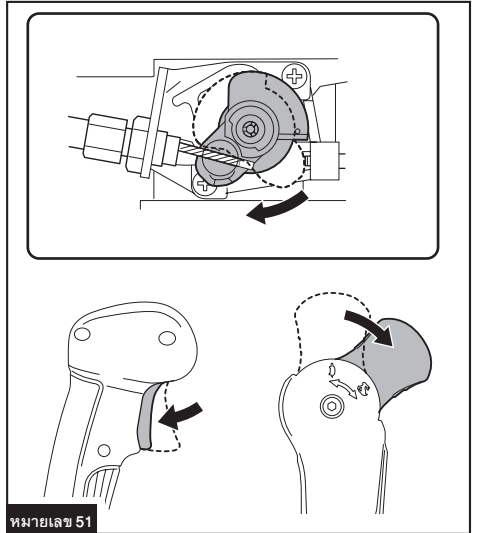
หากลิ้นปีกผีเสื้อไม่สัมผัสกับตัวหยุดลิ้นปีกผีเสื้อแม้ว่าจะดึงก้านเปิดปิดจนสุดแล้ว หรือหากลิ้นปีกผีเสื้อไม่สัมผัสกับสกรูปรับรอบเดินเบาขณะเดินเบา ให้หมุนสลักเกลียวปรับสายไฟดังนี้:

1. คลายน็อตยึด
 2. หากลิ้นปีกผีเสื้อไม่สัมผัสกับตัวหยุดลิ้นปีกผีเสื้อ ให้หมุนสลักเกลียวปรับสายไฟทวนเข็มนาฬิกา
- หากลิ้นปีกผีเสื้อไม่สัมผัสกับสกรูปรับรอบเดินเบา ให้หมุนสลักเกลียวปรับสายไฟตามเข็มนาฬิกา



หมายเลข 50

- ▶ 1. สลักเกลียวปรับสายไฟ 2. น็อตยึด
3. ชันน็อตยึดเพื่อขันสลักเกลียวปรับสายไฟให้แน่น
 4. ตรวจสอบความเคลื่อนไหวของวาล์วคันเร่ง วาล์วคันเร่งเข้ามาอยู่ในตำแหน่งตามภาพ เมื่อสวิตช์เปิดปิดก้านเปิดปิดถูกต้องหรือหมุน



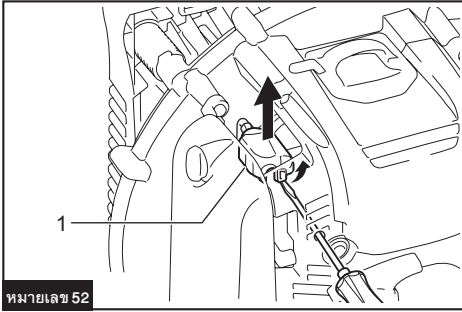
หมายเลข 51

การทำความสะอาดฝาครอบคาร์บูเรเตอร์

หากฝาครอบคาร์บูเรเตอร์สกปรกและทำให้ตรวจสอบลิ้นปีกผีเสื้อได้ยาก ให้ทำความสะอาดฝาครอบคาร์บูเรเตอร์ดังนี้:

ข้อสังเกต: อย่าใช้น้ำมันเชื้อเพลิง เบนซิน ทินเนอร์ แอลกอฮอล์ หรือวัสดุประเภทเดียวกันเพื่อทำความสะอาดฝาครอบคาร์บูเรเตอร์ มิฉะนั้นอาจทำให้หมองได้

1. สอดไขควงปากแบนผ่านรูบนฝาครอบเครื่องยนต์ ปล่อยให้หัวหนีบของฝาครอบคาร์บูเรเตอร์



หมายเลข 52

- ▶ 1. ฝาครอบคาร์บูเรเตอร์

2. ทำความสะอาดฝาครอบคาร์บูเรเตอร์

ข้อสังเกต: ใช้ผ้าสะอาดชุบน้ำในการทำความสะอาดฝาครอบคาร์บูเรเตอร์

3. ใส่ฝาครอบคาร์บูเรเตอร์กลับ ตรวจสอบให้แน่ใจว่าตัวหนีบฝาครอบคาร์บูเรเตอร์ล็อกเมื่อใส่เข้าที่

การตรวจสอบสลักเกลียว น็อต และสกรู และส่วนอื่นๆ

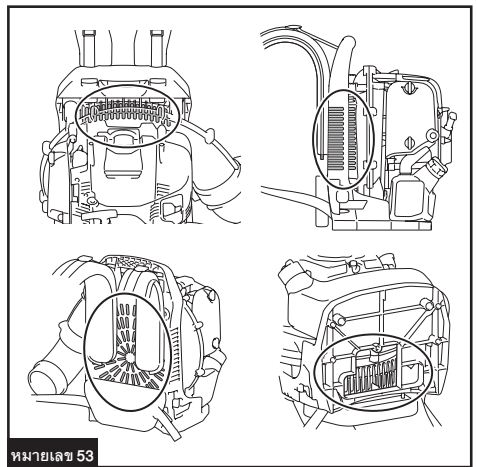
ขันสลักเกลียว น็อต และอื่นๆ ที่หลวมให้แน่น ตรวจสอบการรั่วของเชื้อเพลิงและน้ำมัน เปลี่ยนชิ้นส่วนที่เสียหายเป็นชิ้นใหม่เพื่อการทำงานที่ปลอดภัย

การทำความสะอาดเครื่องยนต์ ช่องลมระบายความร้อน

ทำให้เครื่องยนต์สะอาดโดยเช็ดด้วยผ้าขี้ริ้ว

ให้ครีบบนของกระบอกสูบปราศจากฝุ่นหรือสิ่งสกปรก ฝุ่นหรือสิ่งสกปรกที่ติดอยู่บนครีบบอกทำให้เครื่องยนต์มีความร้อนสูงเกินและทำให้ลูกสูบติดขัด

ลมเป่ามาจากช่องลมเข้า เมื่อกระแสลมไหลระหว่างการทำงาน ให้หยุดเครื่องยนต์และตรวจสอบช่องลมเข้าว่ามีอะไรอุดตันหรือไม่ ทำความสะอาดหากจำเป็น การอุดตันดังกล่าวอาจทำให้เครื่องยนต์มีความร้อนสูงและเสียหาย



หมายเลข 53

การเปลี่ยนปะเก็นและวัสดุอุด

เปลี่ยนปะเก็นและวัสดุอุดหากถอดเครื่องยนต์ออก

การบำรุงรักษาและปรับเปลี่ยนที่ไม่ระบุและอธิบายอยู่ในคู่มือฉบับนี้จะต้องทำโดยตัวแทนผู้ให้บริการที่ได้รับอนุญาตเท่านั้น

การเก็บรักษา

⚠ คำเตือน: เมื่อระบายน้ำมัน ให้หยุดเครื่องยนต์และรอให้เครื่องยนต์เย็นลง มิฉะนั้น อาจทำให้ถูกลวกหรือเกิดเพลิงไหม้ได้

⚠ ข้อควรระวัง: เมื่อเก็บเครื่องมือไว้เป็นเวลานาน ให้ระบายเชื้อเพลิงทั้งหมดออกจากถังน้ำมันเชื้อเพลิงและคาร์บูเรเตอร์ และเก็บไว้ในที่แห้งและสะอาด

ระบายเชื้อเพลิงออกจากถังน้ำมันเชื้อเพลิงและคาร์บูเรเตอร์ก่อนเก็บอุปกรณ์ดังนี้:

1. ถอดฝาถังน้ำมันเชื้อเพลิงออกและระบายเชื้อเพลิงออกจนหมด หากมีสิ่งแปลกปลอมหลงเหลืออยู่ในถังน้ำมันเชื้อเพลิง ให้นำออกให้หมด
2. ดึงตัวกรองเชื้อเพลิงออกจากช่องเติมโดยใช้ลวด
3. กดปุ่มดูดเชื้อเพลิงจนกว่าเชื้อเพลิงจะระบายออกจากจุดนั้น และระบายเชื้อเพลิงที่ออกมาในถังน้ำมันเชื้อเพลิง
4. ติดตัวกรองในถังน้ำมันเชื้อเพลิงและขันฝาถังน้ำมันเชื้อเพลิงให้แน่น
5. จากนั้น ให้ใช้งานเครื่องยนต์ก่อนจนเครื่องหยุด
6. ถอดหัวเทียน และหยุดน้ำมันเครื่องผ่านรูหัวเทียนหลายๆ หยุด

7. ดึงมือจับสตาร์ทเตอร์อย่างเบาๆ เพื่อให้ น้ำมันเครื่อง
กระจายทั่วเครื่องยนต์และติดหัวเทียน

8. จับเครื่องมือโดยให้ที่จับตั้งขึ้น

9. เก็บเชื้อเพลิงที่ระบายออกมาในภาชนะพิเศษในที่ร่มที่
มีอากาศถ่ายเทดี

ตำแหน่งที่ผิด

ข้อผิดพลาด	ระบบ	การสังเกต	สาเหตุ
เครื่องยนต์ไม่สตาร์ทหรือสตาร์ทยาก	ระบบจุดระเบิด	เกิดประกายไฟในการสตาร์ทเครื่อง	ข้อผิดพลาดในการเติมเชื้อเพลิงหรือระบบบีบอัด ขอบกพร่องทางกลไก
		ไม่เกิดประกายไฟในการจุดระเบิด	ใช้สวิตช์หยุดการทำงาน ข้อผิดพลาดของสายไฟหรือเกิดการลัดวงจร หัวเทียนหรือขั้วต่อบกพร่อง โมดูลจุดระเบิดเกิดความบกพร่อง
	การเติมเชื้อเพลิง	ถังน้ำมันเชื้อเพลิงเต็ม	ใช้คีย์ผิดตำแหน่ง คาร์บูเรเตอร์บกพร่อง สายเติมเชื้อเพลิงงอหรืออุดตัน เชื้อเพลิงสกปรก
	การดัน	ไม่มีแรงดันเมื่อใช้งาน	ปะเก็นก่อนกระบอกสูบบกพร่อง ซีลเพลลาข้อเหวี่ยงเสียหาย แหวนกระบอกสูบหรือลูกสูบบกพร่องหรือหัวเทียนมีการซีลที่ไม่เหมาะสม
	ข้อผิดพลาดทางกลไก	สตาร์ทเตอร์ไม่ทำงาน	สปริงสตาร์ทเตอร์หัก ชิ้นส่วนแตกหักภายในเครื่องยนต์
ปัญหาด้านการเริ่มเครื่องใหม่	-	ถังเต็ม เกิดประกายไฟในการสตาร์ทเครื่อง	คาร์บูเรเตอร์ปนเปื้อน ต้องทำความสะอาด
เครื่องยนต์สตาร์ทแต่ดับ	การเติมเชื้อเพลิง	ถังเต็ม	การปรับรอบเดินเบาไม่ถูกต้อง
			คาร์บูเรเตอร์ปนเปื้อน
			ถังน้ำมันเชื้อเพลิงบกพร่อง สายเติมเชื้อเพลิงถูกกีดขวาง สายไฟหรือสวิตช์หยุดการทำงาน มีตำหนิ
ประสิทธิภาพไม่เพียงพอ	ระบบต่างๆ อาจได้รับผลกระทบพร้อมกัน	เครื่องยนต์เดินเบาได้ไม่ดี	ตัวฟอกอากาศปนเปื้อน คาร์บูเรเตอร์ปนเปื้อน เครื่องเก็บเสียงอุดตัน ท่อไอเสียในกระบอกสูบอุดตัน

รอบการตรวจสอบและทำความสะอาด

-		ก่อนใช้งาน	หลังการเติม เชื้อเพลิง	ทุกวัน (10 ชม.)	50 ชม.	200 ชม.	600 ชม.หรือ 2 ปีแล้วแต่ จำนวนโตจะ ถึงก่อน	ก่อนเก็บ รักษา
น้ำมันเครื่อง	ตรวจสอบ/ เติมเชื้อ เพลิง	○	-	-	-	-	-	-
	เปลี่ยน	-	-	-	○ (หมายเหตุ 1)	-	-	-
ชั้นส่วนที่ ชั้นแน่น (สลักเกลียว น็อต)	ตรวจสอบ	○	-	-	-	-	-	-
ช่องลม ระบายความ ร้อน	ทำความสะอาด/ ตรวจสอบ	○	-	-	-	-	-	-
ถังน้ำมันเชื้อ เพลิง	ทำความสะอาด/ สะอาด/ตรวจ สอบ	○	-	-	-	-	-	-
	ระบายเชื้อ เพลิง	-	-	-	-	-	-	○ (หมายเหตุ 3)
สวิตช์เปิด ปิด/ก้านเปิด ปิด	ตรวจสอบ การทำงาน	-	○	-	-	-	-	-
การหยุด เครื่องยนต์	ตรวจสอบ การทำงาน	-	○	-	-	-	-	-
การปรับ ความเร็ว รอบเดินเบา	ตรวจสอบ/ ปรับ	-	○	-	-	-	-	-
ตัวพอก อากาศ	ทำความสะอาด	-	-	○	-	-	-	-
	ตรวจสอบ/ เปลี่ยนหาก จำเป็น	-	-	-	-	○	-	-
สายไฟ ควบคุม	ตรวจสอบ/ ปรับ	-	-	○	-	-	-	-
	ตรวจสอบ/ เปลี่ยนหาก จำเป็น	-	-	-	-	○ (หมายเหตุ 2)	-	-

-		ก่อนใช้งาน	หลังการเติม เชื้อเพลิง	ทุกวัน (10 ชม.)	50 ชม.	200 ชม.	600 ชม.หรือ 2 ปีแล้วแต่ จำนวนใดจะ ถึงก่อน	ก่อนเก็บ รักษา
หัวเทียน	ตรวจสอบ/ ปรับช่องว่าง หากจำเป็น	-	-	○	-	-	-	-
	ทำความสะอาด/ เปลี่ยนหาก จำเป็น	-	-	-	-	○	-	-
สายไฟหัว เทียน	ตรวจสอบ/ เปลี่ยนหาก จำเป็น	-	-	-	-	○ (หมายเหตุ 2)	-	-
ท่อเชื้อเพลิง	ตรวจสอบ	-	-	○	-	-	-	-
	เปลี่ยน	-	-	-	-	○ (หมายเหตุ 2)	-	-
ตัวกรองเชื้อ เพลิง	ทำความสะอาด/ เปลี่ยนหาก จำเป็น	-	-	-	○	-	-	-
ท่อน้ำมัน	ตรวจสอบ	-	-	-	-	○ (หมายเหตุ 2)	-	-
ระยะห่าง ของวาล์ว (ลิ้นไอดีและ ลิ้นไอเสีย)	ตรวจสอบ/ ปรับ	-	-	-	-	○ (หมายเหตุ 2)	-	-
เครื่องเก็บ เสียง	ตรวจสอบ/ ทำความสะอาด	-	-	-	-	○ (หมายเหตุ 2)	-	-
ห้องเผา ไหม้/วาล์ว/ ช่อง	ตรวจสอบ/ ทำความสะอาด	-	-	-	-	○ (หมายเหตุ 2)	-	-
เครื่องยนต์	ยกเครื่อง	-	-	-	-	-	○ (หมายเหตุ 2)	-
คาร์บูเรเตอร์	ระบายเชื้อ เพลิง	-	-	-	-	-	-	○ (หมายเหตุ 3)

หมายเหตุ 1: ทำการเปลี่ยนครั้งแรกหลังจากใช้งานแล้ว 20 ชม.

หมายเหตุ 2: หากต้องการตรวจสอบ ให้สอบถามตัวแทนผู้ให้บริการที่ได้รับอนุญาตหรือร้านเครื่องยนต์

หมายเหตุ 3: หลังจากทำให้ถังน้ำมันเชื้อเพลิงว่างแล้ว ใช้งานเครื่องยนต์ต่อไปและระบายเชื้อเพลิงในคาร์บูเรเตอร์ออก

การแก้ไขปัญหา

ก่อนนำไปซ่อม ให้ทำการตรวจสอบด้วยตัวเองก่อน หากพบปัญหาที่ไม่มีอธิบายในคู่มือการใช้งาน อย่าพยายามถอดแยกเครื่องมือ แต่ให้นำไปซ่อมที่ศูนย์บริการหรือโรงงานที่ผ่านการรับรองจาก Makita และใช้ชิ้นส่วนอะไหล่ของ Makita

สภาวะความผิดปกติ	สาเหตุที่เป็นไปได้ (การทำงานผิดปกติ)	การแก้ไข
เครื่องยนต์ไม่ทำงาน	ใช้งานบวมดูเชื่อเพลิงไม่ได้	กด 7 ถึง 10 ครั้ง
	ความเร็วในการดึงเชือกสตาร์ทเตอร์ต่ำ	ดึงแรงๆ
	เชื่อเพลิงไม่เพียงพอ	เติมเชื่อเพลิง
	ตัวกรองเชื่อเพลิงอุดตัน	ทำความสะอาดตัวกรองเชื่อเพลิงหรือเปลี่ยนใหม่
	ท่อเชื่อเพลิงงอ	ทำท่อเชื่อเพลิงให้ตรง
	เชื่อเพลิงเสื่อมสภาพ	เชื่อเพลิงที่เสื่อมสภาพทำให้สตาร์ทได้ยากขึ้น เปลี่ยนใหม่ (แนะนำให้เปลี่ยนทุก: 1 เดือน)
	ดูดน้ำมันมากเกินไป	ดันก้านเปิดปิดจากความเร็วปานกลางเป็นความเร็วสูง และดึงมือจับสตาร์ทเตอร์จนกว่าเครื่องยนต์จะสตาร์ท หากเครื่องยนต์ยังคงไม่สตาร์ท ให้ถอดหัวเทียน เช็ควาล์วไทรคัทให้แห้ง และประกอบกลับเข้าไปตามเดิม จากนั้นให้สตาร์ทตามที่ระบุ
	ฝาปิดหัวเทียนหลุดออก	ติดกลับให้แน่น
	หัวเทียนปนเปื้อน	ทำความสะอาดหัวเทียน
	ระยะห่างของหัวเทียนผิดปกติ	ปรับระยะห่าง
	หัวเทียนมีความผิดปกติอื่น	เปลี่ยนหัวเทียน
	คาร์บูเรเตอร์ผิดปกติ	สอบถามศูนย์บริการที่ผ่านการรับรองของเราให้ทำการตรวจสอบและซ่อมแซม
	ไม่สามารถดึงปุ่มหมุนสตาร์ทเตอร์ได้	สอบถามศูนย์บริการที่ผ่านการรับรองของเราให้ทำการตรวจสอบและซ่อมแซม
ปัญหาที่ขึ้นส่วนภายในเครื่องยนต์	สอบถามศูนย์บริการที่ผ่านการรับรองของเราให้ทำการตรวจสอบและซ่อมแซม	
เครื่องยนต์ดับในเวลาไม่นาน ความเร็วเครื่องยนต์ไม่เพิ่มขึ้น	อุนเครื่องยนต์ไม่นานพอ	ทำการอุนเครื่องยนต์
	แกนใช้ค้อยู่ที่ตำแหน่ง "ปิด" แม้ว่าจะอุนเครื่องยนต์แล้ว	ดันไปที่ตำแหน่ง "เปิด"
	ตัวกรองเชื่อเพลิงอุดตัน	ทำความสะอาดตัวกรองเชื่อเพลิง
	ตัวฟอกอากาศปนเปื้อนหรืออุดตัน	ทำความสะอาดตัวฟอกอากาศ
	สายไฟควบคุมหลุด	ติดสายไฟควบคุมให้แน่น
	ปัญหาที่ขึ้นส่วนภายในเครื่องยนต์	สอบถามศูนย์บริการที่ผ่านการรับรองของเราให้ทำการตรวจสอบและซ่อมแซม
ก้านควบคุมไม่กลับสู่ความเร็วรอบเดินเบา	ตำแหน่งลิ้นปีกผีเสื้อไม่ถูกต้อง	วางตำแหน่งสายไฟควบคุมใหม่ ปรับตำแหน่งลิ้นปีกผีเสื้อโดยหมุนสลักเกลียวปรับสายไฟ
เครื่องยนต์ไม่หยุดทำงาน ⇒ ใช้งานเครื่องยนต์ด้วยรอบเดินเบาและดันแกนใช้ค้ไปที่ตำแหน่ง "ปิด"	ขัดต่อหลุด	ติดขัดต่อให้แน่น
	ระบบไฟฟ้าผิดปกติ	สอบถามศูนย์บริการที่ผ่านการรับรองของเราให้ทำการตรวจสอบและซ่อมแซม

Makita Corporation
3-11-8, Sumiyoshi-cho,
Anjo, Aichi 446-8502 Japan
www.makita.com

885541-372
EN, ID, VI, TH
20170106