



VN	VIETNAM
----	---------

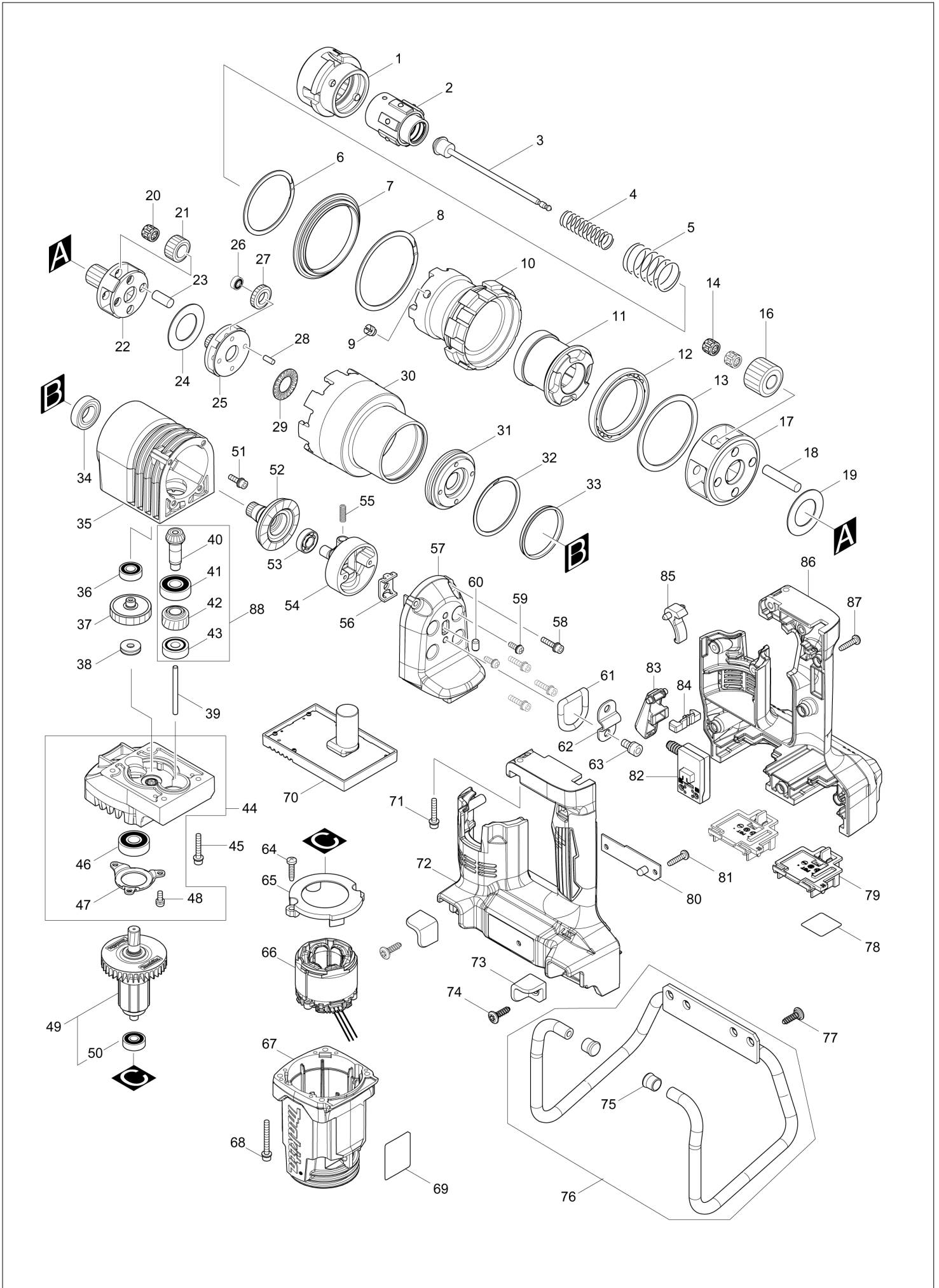
Diagram / Parts List

DWT310

CORDLESS SHEAR WRENCH



(VN) DWT310 / CORDLESS SHEAR WRENCH



VN	VIETNAM
-----------	----------------

DWT310 / CORDLESS SHEAR WRENCH

Item	Sub	Parts No.	Parts Description	Qty	I/C	E/C No.	Close No.	Remark
001		153909-6	OUTER SLEEVE 22-39 COMPLETE	1				
002		764418-6	INNER SLEEVE 22-39 COMPLETE	1				
003		165074-9	CHIP ROD	1				
004		233087-9	COMPRESSION SPRING 13	1				
005		234143-8	COMPRESSION SPRING 25	1				
006		257941-3	SPIRO LOCK WASHER 62	1				
007		324447-7	SPACER	1				
008		257940-5	SPIRO LOCK WASHER 70	1				
009		266022-2	- SET SCREW(DOG POINT) M8X8	2				
010		325688-8	OUTER SUPPORT	1				
011		153872-3	INNER SUPPORT COMPLETE	1				
012		211611-8	BALL BEARING 6810	1				
013		267282-9	FLAT WASHER 60	1				
014		212954-1	NEEDLE CAGE 810	8				
016		227117-6	SPUR GEAR 20	4				
017		310147-5	CARRIER	1				
018		256228-0	PIN 8	4				
019		216207-0	WASHER 2542	1				
020		212954-1	NEEDLE CAGE 810	4				
021		226270-5	SPUR GEAR 25	4				
022		226275-5	SPUR GEAR 11	1				
023		256227-2	PIN 8	4				
024		216207-0	WASHER 2542	1				
025		226273-9	SPUR GEAR 14	1				
026		211044-7	BALL BEARING 694	4				
027		226269-0	SPUR GEAR 25	4				
028		256226-4	PIN 4	4				
029		216403-0	THRUST NEEDLE GAUGE 1528	1				
030		227118-4	INTERNAL GEAR 53-66	1				
031		323855-9	BRACKET	1				
032		257929-3	SPIRO LOCK WASHER 52	1				
033		257186-3	RING 44	1				
034		211221-1	BALL BEARING 6902	1				
035		159930-3	GEAR CASE COMPLETE	1				
	C10	263002-9	RUBBER PIN 4	2				
036		210013-5	BALL BEARING 698VV	1				
037		226651-3	HELICAL GEAR 30	1				
038		212048-2	THRUST NEEDLE BEARING 617	1				
039		256225-6	PIN 4	1				
040		226711-1	SPIRAL BEVEL GEAR 12	1				
041		211097-6	BALL BEARING 6000LLB	1				
042		226476-5	HELICAL GEAR 18	1				
043		211031-6	BALL BEARING 608LLB	1				
044		134788-1	GEAR HOUSING ASS'Y	1				
	D10		INC. 46-48					
045		922148-7	HEX. SOCKET HEAD BOLT M4X25	4				
046		211097-6	BALL BEARING 6000LLB	1				
047		344470-6	BEARING RETAINER	1				
048		911111-5	PAN HEAD SCREW M4X10 WITH W	3				
049		519497-7	ROTOR ASSY	1				
	D10		INC. 50					
050		211023-5	BALL BEARING 607LB	1				
051		922123-3	HEX. SOCKET HEAD BOLT M4X14	4				
052		226812-5	GEAR 14-41	1				
053		211082-9	BALL BEARING 699	1				
054		311930-3	ROD SUPPORTER	1				
055		233098-4	COMPRESSION SPRING 4	1				
056		344062-1	STOPPER PLATE	1				
057		319669-2	REAR COVER	1			C9767	
057-1		319834-3	REAR COVER	1	O	C9767	D6163	
057-2		312B27-3	REAR COVER	1	<	D6163		
058		922133-0	H.S.H.BOLT M4X18 WITH WR	4				
059		911118-1	PAN HEAD SCREW M4X12	2				
060		263005-3	RUBBER PIN 6	1				
061		282018-5	D-RING	1				

B:DWT310PT2(H)

Interchange
O : Yes
X : No
< : the new part can be substituted for the current.
> : the current part can be substituted for the new.
S : Interchangeable as a set.

VN	VIETNAM
-----------	----------------

DWT310 / CORDLESS SHEAR WRENCH

Item	Sub	Parts No.	Parts Description	Qty	I/C	E/C No.	Close No.	Remark
062		345517-9	PLATE	1				
063		266157-9	HEX. SOCKET HEAD BOLT M6X12	2				
064		265995-6	TAPPING SCREW 4X18	2				
065		458306-4	BAFFLE PLATE	1				
066		629337-2	STATOR	1				
067		458302-2	MOTOR HOUSING	1				
068		922909-5	HEX. SOCKET HEAD BOLT M4X35	4				
069		854C60-0	DWT310 NAME PLATE	1				
070		632L40-8	CONTROLLER UNIT	1			C5776	
070-1		632N37-9	CONTROLLER UNIT	1	<	C5776		
071		922149-5	H.S.H.BOLT M4X25 WITH WG	2				
072		183J09-8	HANDLE SET	1			C5099	
	C10	263005-3	RUBBER PIN 6	4			C5099	
	C20	816P35-5	INDICATION LABEL	1			C5099	
	C30	422226-8	SPONGE SHEET	1			C5099	
	C40	416285-2	ACRYLIC PIN 5	1			C5099	
	D10		INC. 86				C5099	
072-1		183K85-8	HANDLE SET	1	<	C5099		
	C10	263005-3	RUBBER PIN 6	4		C5099		
	C20	816P35-5	INDICATION LABEL	1		C5099		
	C30	422226-8	SPONGE SHEET	1		C5099		
	C40	416285-2	ACRYLIC PIN 5	1		C5099		
	D10		INC. 86			C5099		
073		327048-0	PROTECTION BLOCK	2			C5095	
073-1		347482-8	PROTECTION BLOCK	2	O	C5095		
074		251587-7	H.L.TAPPING SCREW 5X18	2				
075		422230-7	CAP	2				
076		135919-5	GUARD PIPE ASSY	1			C2335	
	D10		INC. 75				C2335	
076-1		135992-5	GUARD ASSY	1	<	C2335		
	D10		INC. 75			C2335		
077		251587-7	H.L.TAPPING SCREW 5X18	4				
078		854C68-4	DWT310 SERIAL NO. LABEL	1				
079		644809-6	TERMINAL	2				
080		620809-0	LED CIRCUIT	1				
081		265995-6	TAPPING SCREW 4X18	2				
082		651083-9	SWITCH C3XA-1PSPM	1				
083		458303-0	SWITCH LEVER	1				
084		458307-2	TRIGGER LOCK	1			C7871	
084-1		459707-9	TRIGGER LOCK	1	O	C7871		
085		311928-0	CHIP LEVER	1				
086		183J09-8	HANDLE SET	1			C5099	
	C10	263005-3	RUBBER PIN 6	4			C5099	
	C20	816P35-5	INDICATION LABEL	1			C5099	
	C30	422226-8	SPONGE SHEET	1			C5099	
	C40	416285-2	ACRYLIC PIN 5	1			C5099	
	D10		INC. 72				C5099	
086-1		183K85-8	HANDLE SET	1	<	C5099		
	C10	263005-3	RUBBER PIN 6	4		C5099		
	C20	816P35-5	INDICATION LABEL	1		C5099		
	C30	422226-8	SPONGE SHEET	1		C5099		
	C40	416285-2	ACRYLIC PIN 5	1		C5099		
	D10		INC. 72			C5099		
087		265995-6	TAPPING SCREW 4X18	7				
088		134790-4	GEAR ASSY	1				
	D10		INC. 40-43					
A01		764361-9	OUTER SLEEVE 20-37	1				
A02		764417-8	INNER SLEEVE 20-38 COMPLETE	1				
A03		783001-0	(-) SCREWDRIVER 6	1				
A04		821748-9	PLASTIC CASE	1				
	C10	162271-8	LATCH	2				
A05B		***DC18RD	DC18RD TWO PORT FAST CHARGER	1				
	D10		COMPO-PARTS					
A06B		197280-8	BATTERY BL1850B SET	2			C5219	
A06-1B		197280-8	BATTERY BL1850B SET	2	O	C5219		

B:DWT310PT2(H)

Interchange
O : Yes
X : No
< : the new part can be substituted for the current.
> : the current part can be substituted for the new.
S : Interchangeable as a set.

