



VN	VIETNAM
----	---------

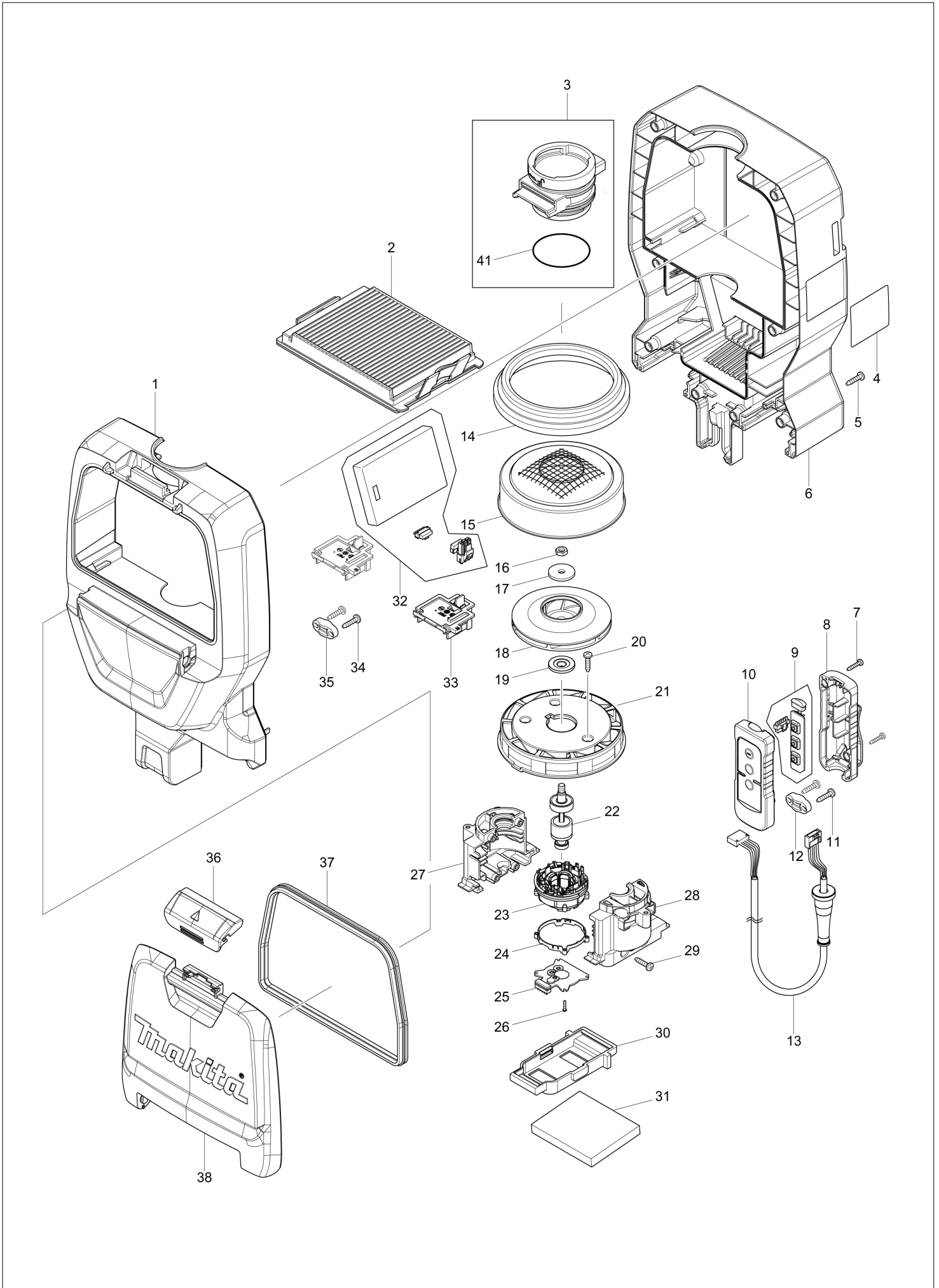
# Diagram / Parts List

**DVC260**

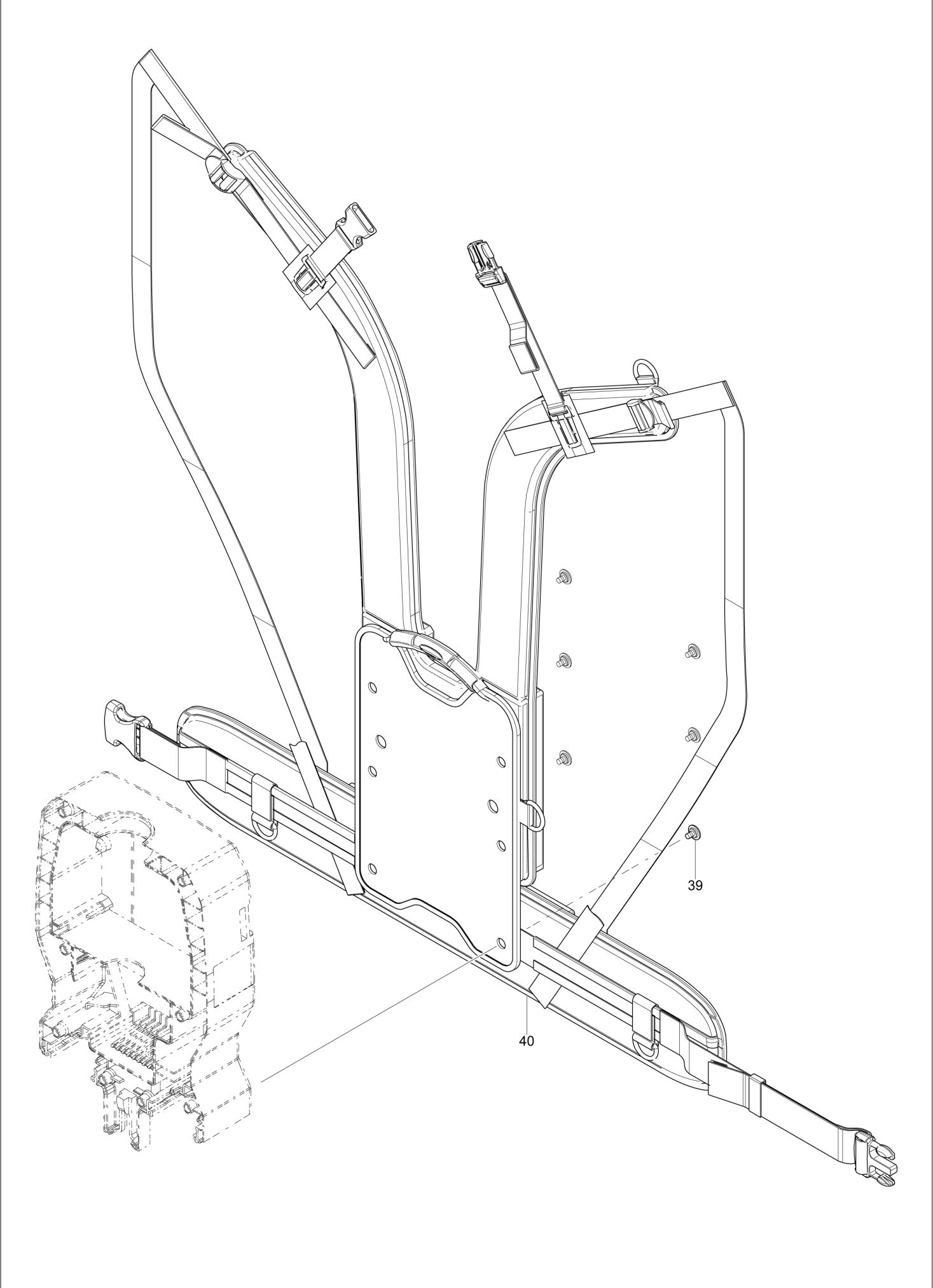
**DC BACKPACK VACUUM CLEANER**



(VN) DVC260 / DC BACKPACK VACUUM CLEANER



(VN) DVC260 / DC BACKPACK VACUUM CLEANER



<b>VN</b>	<b>VIETNAM</b>
-----------	----------------

### DVC260 / DC BACKPACK VACUUM CLEANER

Item	Sub	Parts No.	Parts Description	Qty	I/C	E/C No.	Close No.	Remark
001		143788-0	UPPER HOUSING COMPLETE	1			B9554	
	C10	263005-3	RUBBER PIN 6	4			B9554	
	C20	424834-1	BAND DAMPER A	1			B9554	
001-1		143788-0	UPPER HOUSING COMPLETE	1	<	B9554		
	C10	263005-3	RUBBER PIN 6	4		B9554		
	C20	424834-1	BAND DAMPER A	1		B9554		
002		123636-9	HEPA FILTER ASSEMBLY	1			D4706	
	C10	153820-2	VALVE COMPLETE	1			D4706	
002-1		127725-2	FILTER ASSEMBLY	1	O	D4706		
	C10	153820-2	VALVE COMPLETE	1		D4706		
003		135771-1	INLET ASS'Y	1				
	D10		INC. 41					
004		852D42-2	DVC260 NAME PLATE	1				
005		266326-2	TAPPING SCREW 4X18	8				
006		143789-8	LOWER HOUSING COMPLETE	1				
	C10	424835-9	BAND DAMPER B	1				
007		266130-9	TAPPING SCREW BIND PT 3X16	2				
008		183D91-1	SWITCH CASE SET	1				
	D10		INC. 10					
009		620525-4	SUB CONTROLLER	1				
010		183D91-1	SWITCH CASE SET	1				
	D10		INC. 8					
011		266326-2	TAPPING SCREW 4X18	2				
012		687123-7	STRAIN RELIEF	1				
013		699077-6	POWER SUPPLY CORD UNIT	1			C9101	
013-1		699136-6	POWER SUPPLY CORD UNIT	1	O	C9101	D6884	
013-2		699136-6	POWER SUPPLY CORD UNIT	1	O	D6884		
014		421380-5	SUPPORT RING	1				
015		165386-0	FAN COVER	1			C0051	
015-1		161804-6	FAN COVER	1	O	C0051		
016		931303-0	HEX. NUT M6	1			C4760	
016-1		252268-6	HEX. NUT M6	1	O	C4760		
017		322407-3	WASHER 6	1				
018		241851-4	FAN 94	1				
019		313062-2	FLANGE	1				
020		266326-2	TAPPING SCREW 4X18	3				
021		456736-3	FAN BASE	1				
022		619395-6	ROTOR	1			C0214	
022-1		619517-8	ROTOR	1	O	C0214	C6318	
022-2		619517-8	ROTOR	1	O	C6318		
023		629189-1	STATOR	1				
024		687464-1	SUPPORT	1				
025		620526-2	CONTROLLER B	1				
026		266786-8	+ PAN HEAD TAPPING SCREW 2X10	4				
027		183D13-1	MOTOR HOUSING SET	1				
	D10		INC. 28					
028		183D13-1	MOTOR HOUSING SET	1				
	D10		INC. 27					
029		266326-2	TAPPING SCREW 4X18	4				
030		424837-5	SUPPORT A	1				
031		424838-3	REAR BLOCK FILTER	2				
032		620524-6	CONTROLLER A	1				
	D10		INC. 33			B3476		
	D10		INC. 33					
	D10		INC. 33					
	D10		INC. 33					
033		644808-8	TERMINAL	2				
034		266326-2	TAPPING SCREW 4X18	2				
035		687123-7	STRAIN RELIEF	1				
036		123586-8	LATCH ASSEMBLY	1				
037		424836-7	SEAL	1				
038		456739-7	DUST BOX COVER	1				
039		265008-3	+ FLAT HEAD SCREW M5	6				
040		161479-1	HARNESS	1			B6972	
040-1		161767-6	HARNESS	1	X	B6972	C1705	

A:DVC260Z(N)  
 B:DVC260ZX(N)  
 C:DVC260ZX5(N)  
 D:DVC260ZX6(N)

Interchange  
 O : Yes  
 X : No  
 < : the new part can be substituted for the current.  
 > : the current part can be substituted for the new.  
 S : Interchangeable as a set.

