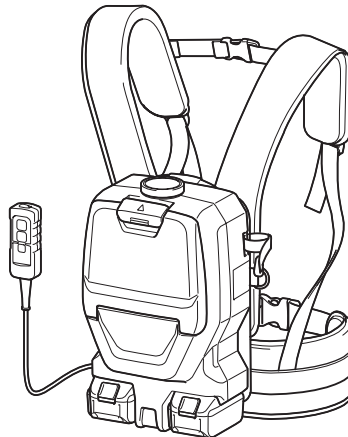
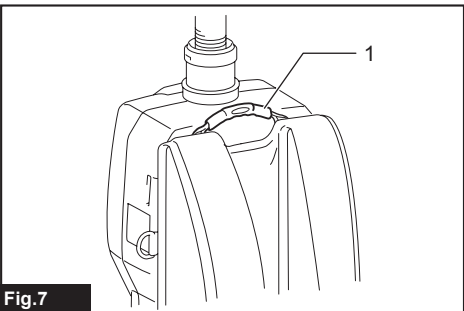
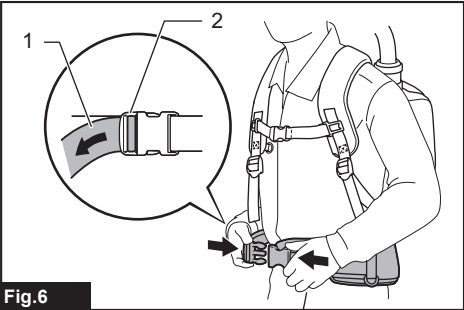
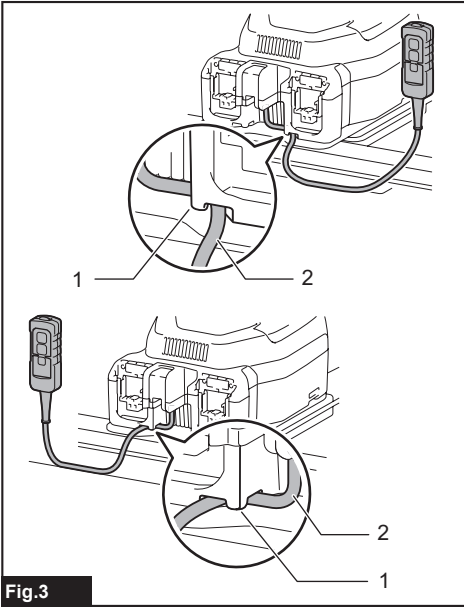
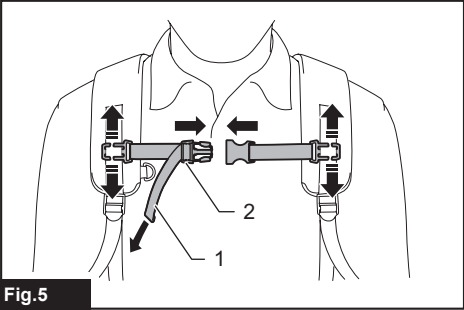
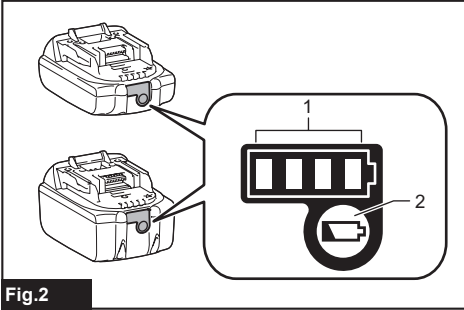
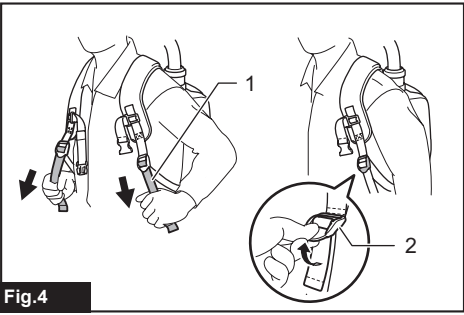
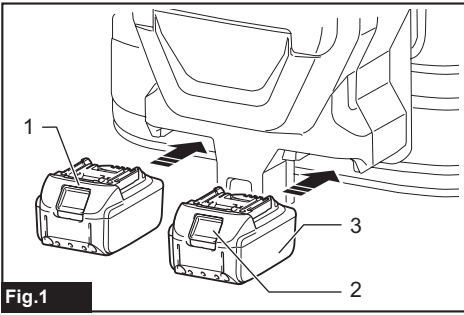




EN	Cordless Backpack Vacuum Cleaner	INSTRUCTION MANUAL	7
ZHCN	充电背负式工业吸尘机	使用说明书	15
ID	Penyedot Debu Ransel Nirkabel	PETUNJUK PENGGUNAAN	23
VI	Máy Hút Bụi Đeo Vai Hoạt Động Bằng Pin	TÀI LIỆU HƯỚNG DẪN	31
TH	เครื่องดูดฝุ่นสะพายหลังไร้สาย	คู่มือการใช้งาน	39

DVC260





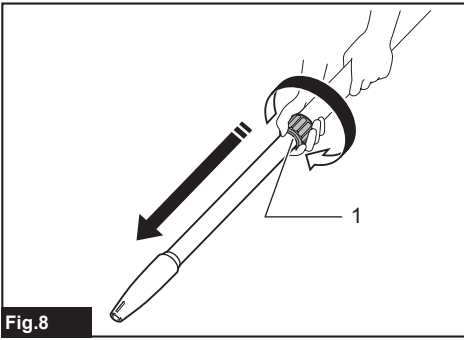


Fig.8

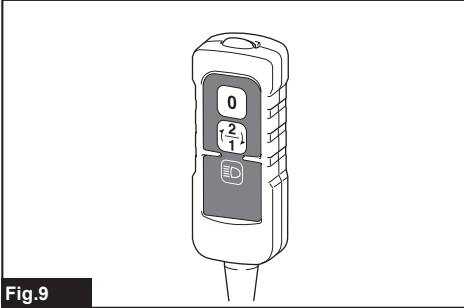


Fig.9

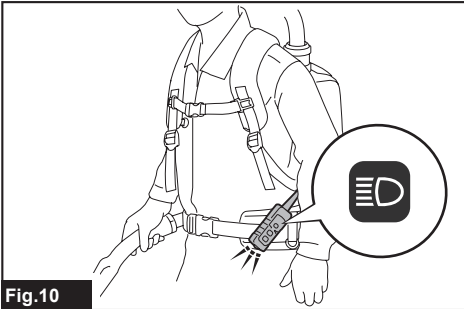


Fig.10

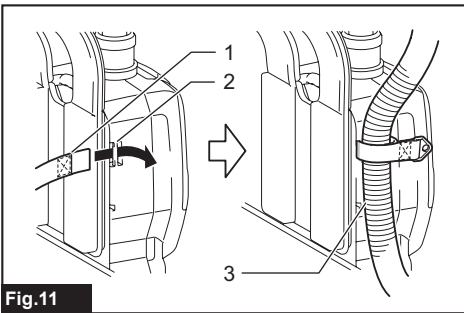


Fig.11

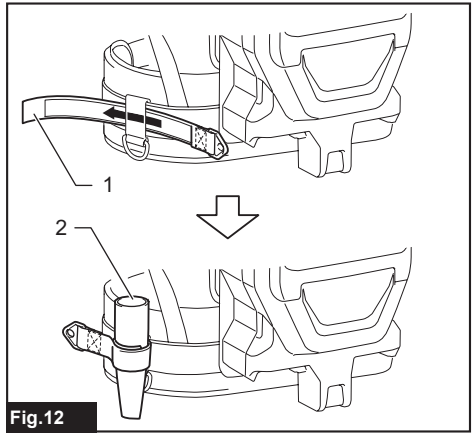


Fig.12

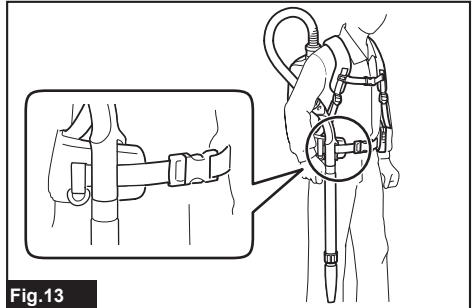


Fig.13

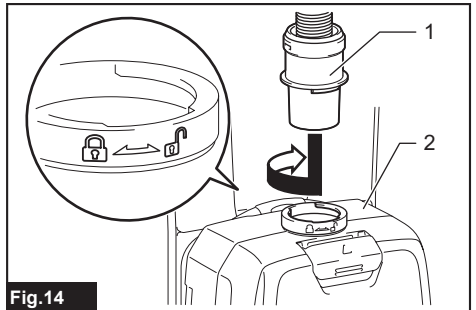


Fig.14

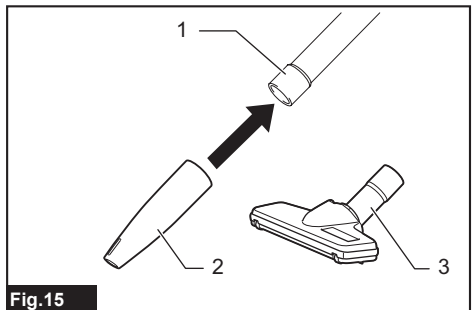


Fig.15

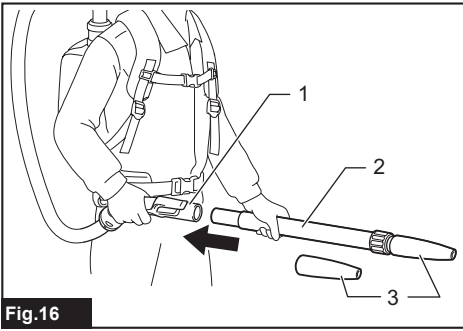


Fig.16

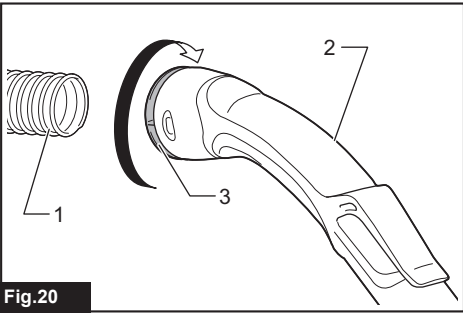


Fig.20

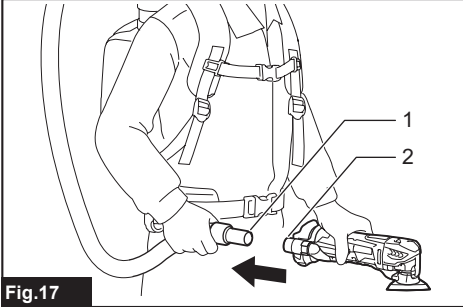


Fig.17

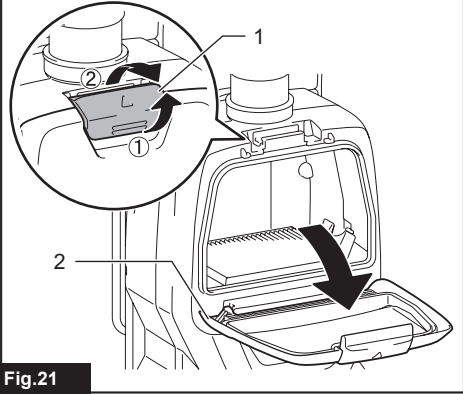


Fig.21

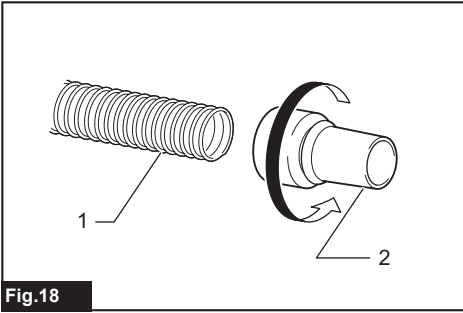


Fig.18

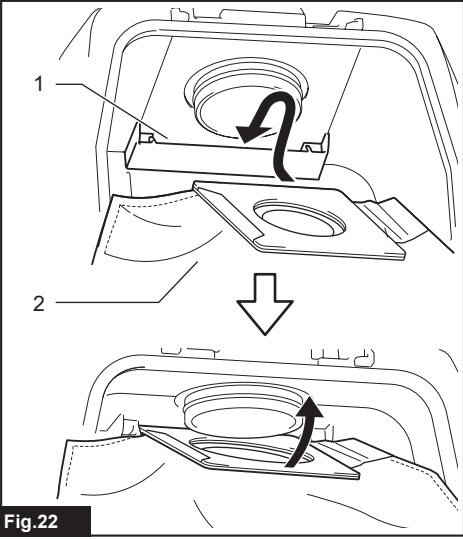


Fig.22

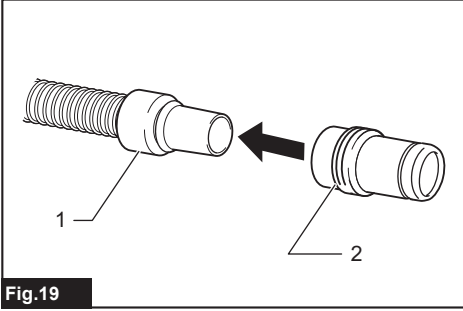


Fig.19

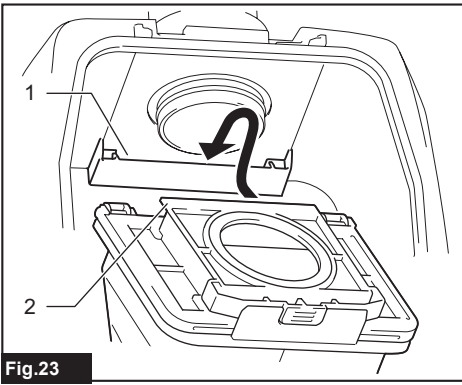


Fig.23

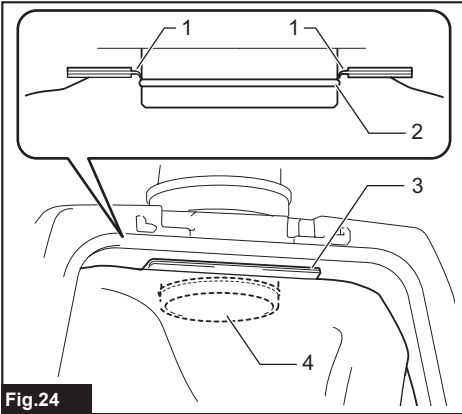


Fig.24

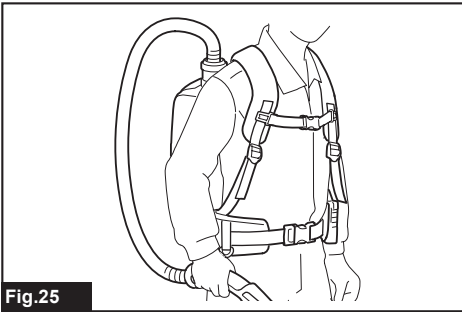


Fig.25

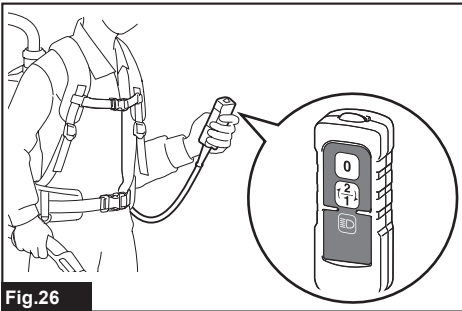


Fig.26

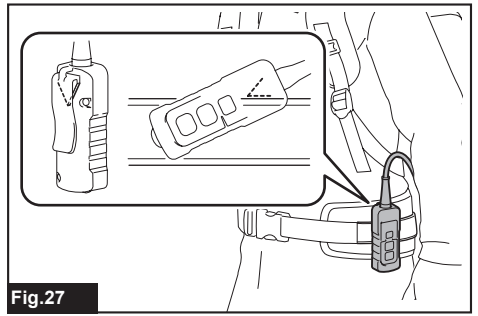


Fig.27

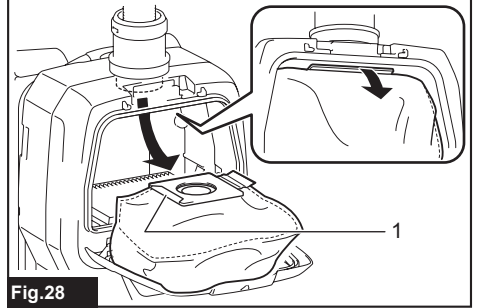


Fig.28

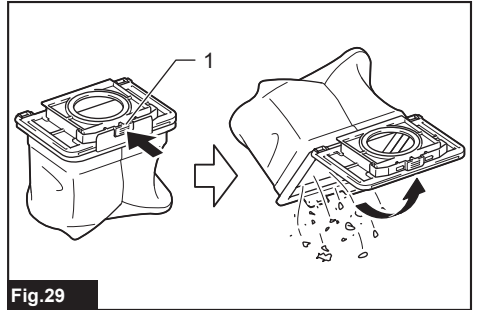


Fig.29

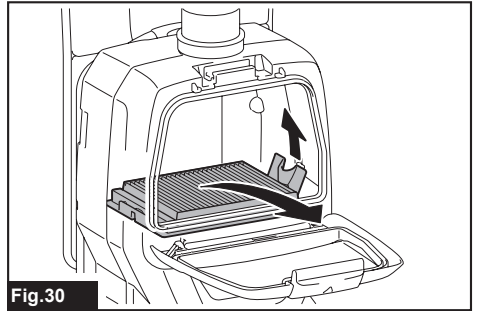


Fig.30

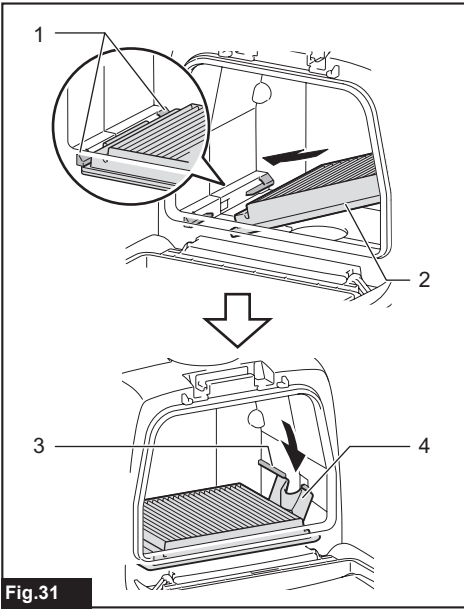


Fig.31

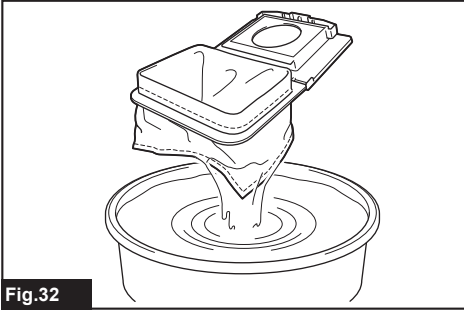


Fig.32

WARNING

- This machine is not intended for use by persons including children with reduced physical, sensory or mental capabilities, or lack of experience and knowledge.
- Children should be supervised to ensure that they do not play with the cleaner.
- See the chapter "SPECIFICATIONS" for the type reference of the battery.
- See the section "Installing or removing battery cartridge" for how to remove or install the battery.
- When disposing the battery cartridge, remove it from the tool and dispose of it in a safe place. Follow your local regulations relating to disposal of battery.
- If the tool is not used for a long period of time, the battery must be removed from the tool.
- Do not short the battery cartridge.
- See the chapter "MAINTENANCE" for the appropriate details of precautions during user maintenance.

SPECIFICATIONS

Model:		DVC260
Capacity	Filter bag	2.0 L
	Dust bag	1.5 L
Maximum air volume	With hose $\varnothing 28$ mm	1.5 m ³ /min
	With hose $\varnothing 38$ mm	1.8 m ³ /min
Dimensions (L x W x H) (excluding the harness)		230 mm x 152 mm x 373 mm
Rated voltage		D.C. 36 V
Net weight (Vacuum cleaner type)		3.8 - 4.3 kg

- Due to our continuing program of research and development, the specifications herein are subject to change without notice.
- Specifications and battery cartridge may differ from country to country.
- The weight does not include accessories but battery cartridge(s). The lightest and heaviest combination weight of the appliance and battery cartridge(s) are shown in the table.

Applicable battery cartridge and charger

Battery cartridge	BL1815N / BL1820B / BL1830B / BL1840B / BL1850B / BL1860B
Charger	DC18RC / DC18RD / DC18RE / DC18SD / DC18SE / DC18SF / DC18SH

- Some of the battery cartridges and chargers listed above may not be available depending on your region of residence.

⚠ WARNING: Only use the battery cartridges and chargers listed above. Use of any other battery cartridges and chargers may cause injury and/or fire.

Symbols

The followings show the symbols which may be used for the equipment. Be sure that you understand their meaning before use.



Read instruction manual.



Take particular care and attention.



Only for EU countries
Due to the presence of hazardous components in the equipment, waste electrical and electronic equipment, accumulators and batteries may have a negative impact on the environment and human health. Do not dispose of electrical and electronic appliances or batteries with household waste!
In accordance with the European Directive on waste electrical and electronic equipment and on accumulators and batteries and waste accumulators and batteries, as well as their adaptation to national law, waste electrical equipment, batteries and accumulators should be stored separately and delivered to a separate collection point for municipal waste, operating in accordance with the regulations on environmental protection.
This is indicated by the symbol of the crossed-out wheeled bin placed on the equipment.

Intended use

The tool is intended for collecting dry dust. The tool is suitable for commercial use, for example in hotels, schools, hospitals, factories, shops, offices and rental businesses.

SAFETY WARNINGS

Cordless vacuum cleaner safety warnings

⚠ WARNING: IMPORTANT! READ CAREFULLY all safety warnings and all instructions BEFORE USE. Failure to follow the warnings and instructions may result in electric shock, fire and/or serious injury.

1. **Before use, make sure that this cleaner must be used by people who have been adequately instructed on the use of this cleaner.**
2. **Do not use the cleaner without the filter. Replace a damaged filter immediately.**
3. **Do not attempt to pick up flammable materials, fire works, lighted cigarettes, hot ashes, hot metal chips, sharp materials such as razors, needles, broken glass or the like.**
4. **NEVER USE THE CLEANER IN THE VICINITY OF GASOLINE, GAS, PAINT, ADHESIVES OR OTHER HIGHLY EXPLOSIVE SUBSTANCES. The switch emits sparks when turned ON and OFF. And so does the motor commutator during operation. A dangerous explosion may result.**
5. **This cleaner is not suitable for picking up hazardous dust.**
6. **Never vacuum up toxic, carcinogenic, combustible or other hazardous materials such as asbestos, arsenic, barium, beryllium, lead, pesticides, or other health endangering materials.**
7. **Never use the cleaner outdoors in the rain.**
8. **For Finland, this machine is not to be used outdoors at low temperature.**
9. **Do not use close to heat sources (stoves, etc.).**
10. **Do not block cooling vents. These vents permit cooling of the motor. Blockage should be carefully avoided otherwise the motor will burn out from lack of ventilation.**
11. **Keep proper footing and balance at all times.**
12. **Do not fold, tug or step on the hose.**
13. **Stop the cleaner immediately if you notice poor performance or anything abnormal during operation.**
14. **DISCONNECT THE BATTERIES. When not in use, before servicing, and when changing accessories.**
15. **Clean and service the cleaner immediately after each use to keep it in tiptop operating condition.**
16. **MAINTAIN THE CLEANER WITH CARE. Keep the cleaner clean for better and safer performance. Follow instructions for changing accessories. Keep handles dry, clean, and free from oil and grease.**
17. **CHECK DAMAGED PARTS. Before further use of the cleaner, a guard or other part that is damaged should be carefully checked to determine that it will operate properly and perform its intended function. Check for alignment of moving parts, binding of moving parts, breakage of parts, mounting, and any other conditions that may affect its operation. A guard or other part that is damaged should be properly repaired or replaced by an authorized service center unless otherwise indicated elsewhere in this instruction manual. Have defective switches replaced by authorized service center. Don't use the cleaner if switch does not turn it on and off.**
18. **REPLACEMENT PARTS. When servicing, use only identical replacement parts.**
19. **When not in use, always store the cleaner indoors.**
20. **Be kind to your cleaner. Rough handling can cause breakage of even the most sturdily built cleaner.**
21. **Do not attempt to clean the exterior or interior with benzene, thinner or cleaning chemicals. Cracks and discoloration may be caused.**

22. Do not use cleaner in an enclosed space where flammable, explosive or toxic vapors are given off by oil-base paint, paint-thinner, gasoline, some mothproofing substances, etc., or in areas where flammable dust is present.
23. Do not operate the cleaner while under the influence of drugs or alcohol.
24. As a basic rule of safety, use safety goggles or safety glasses with side shields.
25. Use a dust mask in dusty work conditions.
26. This machine is not intended for use by persons including children with reduced physical, sensory or mental capabilities, or lack of experience and knowledge.
27. Children should be supervised to ensure that they do not play with the cleaner.
28. Never handle battery(ies) and cleaner with wet hands.
29. Use extreme caution when cleaning on stairs.
30. Do not use the cleaner as a stool or work bench. The machine may fall down and may result in personal injury.

Battery tool use and care

1. Recharge only with the charger specified by the manufacturer. A charger that is suitable for one type of battery pack may create a risk of fire when used with another battery pack.
2. Use power tools only with specifically designated battery packs. Use of any other battery packs may create a risk of injury and fire.
3. When battery pack is not in use, keep it away from other metal objects, like paper clips, coins, keys, nails, screws or other small metal objects, that can make a connection from one terminal to another. Shorting the battery terminals together may cause burns or a fire.
4. Under abusive conditions, liquid may be ejected from the battery; avoid contact. If contact accidentally occurs, flush with water. If liquid contacts eyes, additionally seek medical help. Liquid ejected from the battery may cause irritation or burns.
5. Do not use a battery pack or tool that is damaged or modified. Damaged or modified batteries may exhibit unpredictable behaviour resulting in fire, explosion or risk of injury.
6. Do not expose a battery pack or tool to fire or excessive temperature. Exposure to fire or temperature above 130 °C may cause explosion.
7. Follow all charging instructions and do not charge the battery pack or tool outside the temperature range specified in the instructions. Charging improperly or at temperatures outside the specified range may damage the battery and increase the risk of fire.
8. Do not use a corded power supply such as battery adapter or portable power pack with this tool. The cable of such power supply may hinder the operation and result in personal injury.

Service

1. Have your power tool serviced by a qualified repair person using only identical replacement parts. This will ensure that the safety of the power tool is maintained.
2. Follow instruction for lubricating and changing accessories.
3. Keep handles dry, clean and free from oil and grease.

Important safety instructions for battery cartridge

1. Before using battery cartridge, read all instructions and cautionary markings on (1) battery charger, (2) battery, and (3) product using battery.
2. Do not disassemble or tamper with the battery cartridge. It may result in a fire, excessive heat, or explosion.
3. If operating time has become excessively shorter, stop operating immediately. It may result in a risk of overheating, possible burns and even an explosion.
4. If electrolyte gets into your eyes, rinse them out with clear water and seek medical attention right away. It may result in loss of your eyesight.
5. Do not short the battery cartridge:
 - (1) Do not touch the terminals with any conductive material.
 - (2) Avoid storing battery cartridge in a container with other metal objects such as nails, coins, etc.
 - (3) Do not expose battery cartridge to water or rain.

A battery short can cause a large current flow, overheating, possible burns and even a breakdown.

6. Do not store and use the tool and battery cartridge in locations where the temperature may reach or exceed 50 °C (122 °F).
7. Do not incinerate the battery cartridge even if it is severely damaged or is completely worn out. The battery cartridge can explode in a fire.
8. Do not nail, cut, crush, throw, drop the battery cartridge, or hit against a hard object to the battery cartridge. Such conduct may result in a fire, excessive heat, or explosion.
9. Do not use a damaged battery.
10. The contained lithium-ion batteries are subject to the Dangerous Goods Legislation requirements.

For commercial transports e.g. by third parties, forwarding agents, special requirement on packaging and labeling must be observed.

For preparation of the item being shipped, consulting an expert for hazardous material is required. Please also observe possibly more detailed national regulations.

Tap or mask off open contacts and pack up the battery in such a manner that it cannot move around in the packaging.

11. **When disposing the battery cartridge, remove it from the tool and dispose of it in a safe place. Follow your local regulations relating to disposal of battery.**
12. **Use the batteries only with the products specified by Makita.** Installing the batteries to non-compliant products may result in a fire, excessive heat, explosion, or leak of electrolyte.
13. **If the tool is not used for a long period of time, the battery must be removed from the tool.**
14. **During and after use, the battery cartridge may take on heat which can cause burns or low temperature burns. Pay attention to the handling of hot battery cartridges.**
15. **Do not touch the terminal of the tool immediately after use as it may get hot enough to cause burns.**
16. **Do not allow chips, dust, or soil stuck into the terminals, holes, and grooves of the battery cartridge.** It may result in poor performance or breakdown of the tool or battery cartridge.
17. **Unless the tool supports the use near high-voltage electrical power lines, do not use the battery cartridge near high-voltage electrical power lines.** It may result in a malfunction or breakdown of the tool or battery cartridge.
18. **Keep the battery away from children.**

SAVE THESE INSTRUCTIONS.

CAUTION: Only use genuine Makita batteries. Use of non-genuine Makita batteries, or batteries that have been altered, may result in the battery bursting causing fires, personal injury and damage. It will also void the Makita warranty for the Makita tool and charger.

Tips for maintaining maximum battery life

1. **Charge the battery cartridge before completely discharged. Always stop tool operation and charge the battery cartridge when you notice less tool power.**
2. **Never recharge a fully charged battery cartridge. Overcharging shortens the battery service life.**
3. **Charge the battery cartridge with room temperature at 10 °C - 40 °C (50 °F - 104 °F). Let a hot battery cartridge cool down before charging it.**
4. **When not using the battery cartridge, remove it from the tool or the charger.**
5. **Charge the battery cartridge if you do not use it for a long period (more than six months).**

FUNCTIONAL DESCRIPTION

CAUTION: Always be sure that the tool is switched off and the battery cartridge is removed before adjusting or checking function on the tool.

Installing or removing battery cartridge

CAUTION: Always switch off the tool before installing or removing of the battery cartridge.

CAUTION: Hold the tool and the battery cartridge firmly when installing or removing battery cartridge. Failure to hold the tool and the battery cartridge firmly may cause them to slip off your hands and result in damage to the tool and battery cartridge and a personal injury.

► Fig.1: 1. Red indicator 2. Button 3. Battery cartridge

To remove the battery cartridge, slide it from the tool while sliding the button on the front of the cartridge.

To install the battery cartridge, align the tongue on the battery cartridge with the groove in the housing and slip it into place. Insert it all the way until it locks in place with a little click. If you can see the red indicator as shown in the figure, it is not locked completely.

CAUTION: Always install the battery cartridge fully until the red indicator cannot be seen. If not, it may accidentally fall out of the tool, causing injury to you or someone around you.

CAUTION: Do not install the battery cartridge forcibly. If the cartridge does not slide in easily, it is not being inserted correctly.

Tool / battery protection system

The tool is equipped with a tool/battery protection system. This system automatically cuts off power to the motor to extend tool and battery life. The tool will automatically stop during operation if the tool or battery is placed under one of the following conditions.

Overload protection

When the tool is operated in a manner that causes it to draw an abnormally high current, the tool automatically stops without any indication. In this situation, turn the tool off and stop the application that caused the tool to become overloaded. Then turn the tool on to restart.

Overheat protection

When the tool is overheated, the tool stops automatically. Let the tool cool down before turning the tool on again.

Overdischarge protection
















When the battery capacity becomes low, the tool stops automatically. If the product does not operate even when the switches are operated, remove the batteries from the tool and charge the batteries.

Indicating the remaining battery capacity

Only for battery cartridges with the indicator

► **Fig.2:** 1. Indicator lamps 2. Check button

Press the check button on the battery cartridge to indicate the remaining battery capacity. The indicator lamps light up for a few seconds.

Indicator lamps			Remaining capacity
 Lighted	 Off	 Blinking	
			75% to 100%
			50% to 75%
			25% to 50%
			0% to 25%
			Charge the battery.
 ↑ ↓			The battery may have malfunctioned.

NOTE: Depending on the conditions of use and the ambient temperature, the indication may differ slightly from the actual capacity.

NOTE: The first (far left) indicator lamp will blink when the battery protection system works.

Switch box position

The switch box can be hooked on either side of the lower belt. Arrange the cord so that the switch box comes to your desired side. To prevent the cord from being damaged, pass the cord through the hook as illustrated.

► **Fig.3:** 1. Hook 2. Cord

Adjusting belts

The tightness of the shoulder belts, upper and lower belts can be adjusted. Put your arms through the shoulder belts first then fasten the upper and lower belts. To tighten, pull the end of the strap as illustrated. To loosen, pull up the end of the fastener.

Shoulder belts

► **Fig.4:** 1. Strap 2. Fastener

Upper belt

► **Fig.5:** 1. Strap 2. Fastener

Lower belt

► **Fig.6:** 1. Strap 2. Fastener

Carrying hook

Always grab the carrying hook when handling the vacuum cleaner body.

► **Fig.7:** 1. Carrying hook




Extension wand

For vacuum cleaner type only

The length of the wand can be adjusted. Loosen the ring on the wand and adjust the wand length. Tighten the ring at your desired length.



► **Fig.8:** 1. Ring

Switch action

To start vacuuming, press  button once. The vacuum cleaner will start in higher suction power (2). If you want to lower the suction power, press  button one more time. The vacuum cleaner will operate in normal suction power (1). When you press the button while the vacuum cleaner is running, the suction power switches between higher and normal suction power. To turn off the vacuum cleaner, press  button.

► **Fig.9**

LED light

LED light is installed in the head of the switch box to ease the operations in dark places. Press  button to turn the light on. To turn off, press  button again.

► **Fig.10**

CAUTION: Do not look in the light or see the source of light directly. Never aim the light to other people's eyes.

NOTE: The LED light is automatically turned off when the vacuum cleaner is not operated for more than 10 minutes.

NOTE: The vacuum cleaner will automatically switches off and the LED light flashes when the vacuum cleaner is overheated due to the reduced air-flow into the machine caused by clogged hose, pipe, filter or other reasons.

Hose band

Hose band can be used for holding the hose or free nozzle.

To secure the hose to the vacuum cleaner body, pass the hose band through the slot on the body. You can attach the hose band on either side.

► **Fig.11:** 1. Hose band 2. Slot 3. Hose

To hold the free nozzle on the lower belt, pass the hose band through the loop on the lower belt.

► **Fig.12:** 1. Hose band 2. Free nozzle

Hose hook

For vacuum cleaner type only

When you suspend the operation, the hook on the hose can be used for hanging the wand on the lower belt.

► **Fig.13**

ASSEMBLY

⚠ CAUTION: Always be sure that the tool is switched off and the battery cartridge is removed before carrying out any work on the tool.

Assembling hose

Insert the hose cuff into the vacuum cleaner body and turn it clockwise.

► **Fig.14:** 1. Hose cuff 2. Vacuum cleaner body

Assembling wand and nozzle

For vacuum cleaner type only

Connect the nozzle to the extension wand. After that, shoulder the vacuum cleaner body then connect the hose with the extension wand.

Connecting extension wand and nozzle

► **Fig.15:** 1. Extension wand 2. Free nozzle
3. T-shape nozzle

Connecting hose and extension wand

► **Fig.16:** 1. Hose 2. Extension wand 3. Free nozzle

NOTE: The free nozzle can be attached to the hose directly.

Connecting the tool

For dust extraction type only

Connect the front cuff on the hose with the tool's extraction outlet.

► **Fig.17:** 1. Front cuff 2. Extraction outlet

Always use a suitable front cuff. The front cuff can be detached by turning it counterclockwise while holding the hose. When connecting, make sure that the front cuff is securely screwed in the hose.

► **Fig.18:** 1. Hose 2. Front cuff

When using the front cuff 24, insert it to the front cuff 22 that is connected to the hose.

► **Fig.19:** 1. Front cuff 22 2. Front cuff 24

Attaching bent pipe assembly

For dust extraction type, use the optional bent pipe assembly for vacuum cleaning. To attach the bent pipe assembly, unscrew the front cuff from the hose and fasten the sleeve of bent pipe assembly onto the hose.

► **Fig.20:** 1. Hose 2. Bent pipe assembly 3. Sleeve

Installing filter bag

⚠ CAUTION: Do not use a damaged filter bag. Always use the vacuum cleaner with the filter bag properly installed. Otherwise the vacuumed dust or particles may be exhausted from the cleaner and they may cause respiratory disease to the operator.

NOTICE: When the filter bag is already full, replace with new one. Continuous use with the filter bag full results in reduced suction power.

1. Unlock the latch by lifting the bottom side. Push the grooved area to lift the front latching side. Pull the latch to open the lid.

► **Fig.21:** 1. Hook 2. Lid

2. Insert the filter bag into the slit on the upper side of the room as illustrated.

► **Fig.22:** 1. Slit 2. Filter bag / Dust bag

When using the dust bag (optional accessory), insert the brim of the dust bag into the slit.

► **Fig.23:** 1. Slit 2. Brim

3. Align the hole of the filter bag with the hose cuff and push the cardboard portion to the end. Make sure that the rubber ring on the filter bag goes over the rim on the hose cuff.

► **Fig.24:** 1. Rubber ring on the filter bag 2. Rim on the hose cuff 3. Cardboard portion of the filter bag 4. Hose cuff

OPERATION

⚠ WARNING: Operators shall be adequately instructed on the use of the vacuum cleaner.

⚠ WARNING: This vacuum cleaner is not suitable for picking up hazardous dust.

⚠ CAUTION: This cleaner is for dry use only.

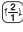


⚠ CAUTION: This cleaner is for indoor use only.

⚠ CAUTION: Always insert the battery cartridge all the way until it locks in place. If you can see the red indicator on the upper side of the button, it is not locked completely. Insert it fully until the red indicator cannot be seen. If not, it may accidentally fall out of the tool, causing injury to you or someone around you.

⚠ CAUTION: During operation, be conscious of the vacuum cleaner on your back. You may lose your balance if the vacuum cleaner body bumps against a wall or the hose is hooked by an obstacles.

1. Shoulder the vacuum cleaner body and fasten upper and lower belts. Adjust the tightness as necessary.

► Fig.25

2. Press  button to start vacuuming. If you want to lower the suction power, press  button one more time. Press  button to stop.

► Fig.26

During the operation, hook the switch box on the lower belt. The hook can be slanted for lighting forward.

► Fig.27

NOTE: The vacuum cleaner will automatically switches off and the LED light flashes when the vacuum cleaner is overheated due to the reduced air-flow into the machine caused by clogged hose, pipe, filter or other reasons. In this case, remove the cause of the problem and cool the vacuum cleaner before restarting.

3. Replace the filter bag when it becomes full. Open the lid and take out the filter bag. Pull the strip on the side of the opening to shut the filter bag and dispose of the filter bag in whole.

► Fig.28: 1. Strip

When using a dust bag (optional accessory), take out the dust bag and dispose of the dust by releasing the latch.

► Fig.29: 1. Latch

NOTICE: Periodically check the filter bag if it is full. Continuous use with the filter bag full results in reduced suction power.

NOTICE: Do not use an used filter bag. The filter bag is designed for single use. If you want to use the bag repeatedly, use a dust bag (optional accessory).

MAINTENANCE

⚠ CAUTION: Always be sure that the tool is switched off and the battery cartridge is removed before attempting to perform inspection or maintenance.

NOTICE: Never use gasoline, benzine, thinner, alcohol or the like. Discoloration, deformation or cracks may result.

Cleaning the HEPA filter

⚠ CAUTION: Do not use the vacuum cleaner without a filter or continue to use dirty or damaged filter. Vacuumed dust or particles may be exhausted from the cleaner and they may cause respiratory disease to the operator.

NOTICE: To keep optimum suction power and clean exhaust, clean the filter periodically. If enough suction power is not obtained even after the cleaning, replace the filter with new one.

NOTICE: To prevent the filter from being damaged, do not use following tools and similar items for cleaning :

- Air duster
- High pressure washer
- Tools made of hard materials such as a metallic brush

1. Open the lid and take out the filter bag. Release the hook on the filter and remove it from the vacuum cleaner body.

► Fig.30

2. Beat the dust off from the filter. The filter can be washed with water. Rinse away the dust and particles on the filter every 1 or 2 month. After that, dry the filter completely in a shaded and well-ventilated place to prevent unpleasant odor or malfunctions.

3. To install the filter, insert the side without the flap into the holder then push the filter downward until the flap is secured by the rib.

► Fig.31: 1. Holder 2. HEPA filter 3. Rib 4. Flap

Cleaning the dust bag

Regularly clean the dust bag with soap and water. Turn the dust bag inside out and remove the sticky dust. Wash lightly by hand and rinse well with water. Dry completely before installing to the vacuum cleaner.

► Fig.32

NOTICE: Wet dust bag lowers the vacuuming performance as well as the life of the motor.

To maintain product SAFETY and RELIABILITY, repairs, any other maintenance or adjustment should be performed by Makita Authorized or Factory Service Centers, always using Makita replacement parts.

OPTIONAL ACCESSORIES

⚠ CAUTION: These accessories or attachments are recommended for use with your Makita tool specified in this manual. The use of any other accessories or attachments might present a risk of injury to persons. Only use accessory or attachment for its stated purpose.

If you need any assistance for more details regarding these accessories, ask your local Makita Service Center.

- Hose (for vacuum cleaner type)
- Hose (for dust extraction type)
- Extension wand
- Free nozzle
- T-shape nozzle
- Nozzle for carpet
- Corner nozzle
- Nozzle assembly
- Shelf brush
- Round brush
- Straight pipe
- Bent pipe
- Filter bag
- Dust bag
- Front cuff
- HEPA filter
- Makita genuine battery and charger

NOTE: Some items in the list may be included in the tool package as standard accessories. They may differ from country to country.

警告

- 本设备不得由不熟悉操作说明的人员（包括小孩）和体力、感觉及心智不健全或缺乏经验和知识的人员使用。
- 应看管好儿童，勿让其玩耍本吸尘器。
- 有关电池的类型信息，请参阅“规格”章节。
- 有关如何拆卸或安装电池的信息，请参阅“安装或拆卸电池组”部分。
- 丢弃电池组时，需将其从工具上卸下并在安全地带进行处理。关于如何处理废弃的电池，请遵循当地法规。
- 如长时间不使用工具，必须将电池从工具内取出。
- 请勿使电池组短路。
- 有关用户维护期间的注意事项的详情，请参阅“维护”章节。

规格

型号:		DVC260
集尘能力	过滤袋	2.0 L
	集尘袋	1.5 L
最大风量	使用 $\varnothing 28$ mm软管	1.5 m ³ /min
	使用 $\varnothing 38$ mm软管	1.8 m ³ /min
尺寸 (长 × 宽 × 高) (不含肩带)		230 mm × 152 mm × 373 mm
额定电压		D.C. 36 V
净重 (吸尘型)		3.8 - 4.3 kg

- 生产者保留变更规格不另行通知之权利。
- 规格和电池组可能因销往国家之不同而异。
- 重量不含附件，但包含电池组。设备和电池组的最轻和最重组合重量见表格。

适用电池组和充电器

电池组	BL1815N / BL1820B / BL1830B / BL1840B / BL1850B / BL1860B
充电器	DC18RC / DC18RD / DC18RE / DC18SD / DC18SE / DC18SF / DC18SH

- 部分以上所列电池组和充电器是否适用视用户所在地区而异。

⚠警告： 请仅使用以上所列电池组和充电器。使用其他类型的电池组或充电器可能会导致人身伤害和 / 或失火。

符号

以下显示本设备可能会使用的符号。在使用工具之前，请务必理解其含义。



阅读使用说明书。



特别小心和注意。



仅限于欧盟国家

由于本设备中包含有害成分，因此废弃的电气和电子设备、蓄电池和普通电池可能会对环境和人体健康产生负面影响。请勿将电气和电子工具或电池与家庭普通废弃物放在一起处置！

根据欧洲关于废弃电气电子设备、蓄电池和普通电池、废弃的蓄电池和普通电池的指令及其国家层面的修订法案，废弃的电气设备、普通电池和蓄电池应当单独存放并递送至城市垃圾收集点，根据环保法规进行处置。

此规定由标有叉形标志的带轮垃圾桶符号表示。

用途

本工具用于收集干尘。本工具适用于商业用途，例如，用于酒店、学校、医院、工厂、商店、办公室和租借的办公场所。

安全警告

充电式吸尘器安全警告

警告：重要事项 使用前请仔细阅读所有的安全警告和所有的说明事项。若不遵循警告和说明事项，可能导致触电、起火和 / 或严重的人身伤害。

1. 使用前，请确保本集尘器必须由经过培训的合格人员使用。
2. 请勿在没有过滤器的情况下使用集尘器。如果过滤器受损，请立即更换。
3. 请勿试图吸取可燃物、鞭炮、点燃的香烟、热灰、热金属片、以及剃刀、针、碎玻璃等尖锐物体。

4. 切勿在附近有汽油、煤气、油漆、粘合剂或其他易爆物质的环境下使用集尘器。开启和关闭时开关会发出火花。操作期间电机整流器也会发出火花。可能会导致爆炸。
5. 该集尘器不适合吸取有毒灰尘。
6. 切勿吸取有毒物质、致癌物质、易燃物质或石棉、砷、钡、铍、铅、杀虫剂等有害物质或其他危及健康的物质。
7. 下雨时切勿在室外使用集尘器。
8. 芬兰地区用户不得在低温户外使用本机。
9. 请勿在热源（火炉等）附近使用。
10. 请勿堵塞冷却通风口。这些通风口可冷却电机。应小心避免堵塞，否则电机会因为通风不足而被烧坏。
11. 操作时请双脚站稳，始终保持平衡。
12. 请勿折叠、拉拽或踩踏软管。
13. 如果您在操作期间发现性能下降或任何异常，请立即停止工具。
14. 断开电池组与工具的连接。不使用时，维修前或更换附件时请断开吸尘器电源。
15. 每次使用后请立即清洁和维护集尘器，使其处于最佳的工作状态。
16. 小心保养集尘器。保持集尘器的清洁，以提高产品的性能和安全性。根据说明更换附件。保持把手干燥、清洁，无油污和润滑脂。
17. 检查有无部件损坏。在进一步使用集尘器之前，应仔细检查保护罩或其他部件有无损坏，以确定工具是否可以正常运转。检查运动部件是否有偏差或粘连、部件是否破损、安装是否妥当以及其他可能会影响工具运行的情况。除非本手册另有声明，否则应由授权维修中心对受损保护罩或其他部件进行修复或更换。失灵的开关由授权的维修中心进行更换。如果开关不能开启和关闭集尘器，请勿使用。
18. 更换部件。进行维修时，请仅使用与原来相同的更换部件。
19. 存放闲置的集尘器。不使用时，应将集尘器存放在室内。
20. 善待集尘器。即便集尘器再结实，野蛮操作也会将其损坏。
21. 请勿试图用苯、稀释剂或清洁用化学品清洁工具的外部或内部。否则可能会导致工具破裂和褪色。
22. 请勿在存放有油基涂料、涂料稀释剂、汽油或防蛀物品，会释放出易燃、易爆或有毒气体的密闭空间里或存在易燃灰尘的地方使用集尘器。

23. 请勿在麻醉品、酒精等影响下操作本设备。
24. 作为一项基本的安全措施，请佩戴带侧面罩的护目镜或安全眼镜。
25. 在灰尘较多的工作环境下请使用防尘面罩。
26. 本设备不得由不熟悉操作说明的人员（包括小孩）和体力、感觉及心智不健全或缺乏经验和知识的人员使用。
27. 应看管好儿童，勿让其玩耍本吸尘器。
28. 切勿用湿手操作电池和集尘器。
29. 清洁楼梯时要特别注意安全。
30. 切勿将集尘器当做凳子或工作台使用。机器可能会跌倒导致人身伤害。

用电池驱动的电动工具的使用和保养

1. 请仅使用制造商指定的充电器进行充电。将适用于某一种类型电池组的充电器用于其他类型的电池组时，可能会导致起火。
2. 电动工具仅可使用专门指定的电池组。使用其他类型的电池组可能会导致人身伤害或起火。
3. 不使用电池组时请将其远离纸夹、硬币、钥匙、钉子、螺丝或其他小型金属物体放置。这些物体可能会使电池端子短路。这些物体可能会使电池端子短路，引起燃烧或起火。
4. 使用过度时，电池中可能溢出液体。请避免接触。如果意外接触到电池漏液，请用水冲洗。如果液体接触到眼睛，请就医。电池漏液可能会导致过敏发炎或灼伤。
5. 不要使用损坏或改装过的电池包或工具。损坏或改装过的电池组可能呈现无法预测的结果，导致着火、爆炸或伤害。
6. 不要将电池包暴露于火或高温中。电池包暴露于火或高于130 °C的高温中可能导致爆炸。
7. 遵循所有充电说明。不要在说明书中指定的温度范围之外给电池包或电动工具充电。不正确或在指定的温度范围外充电可能会损坏电池和增加着火的风险。
8. 请勿对本工具使用带电电源，例如电池连接转换器或便携电源装置。此类电源的电缆可能会阻碍操作，进而导致人员受伤。

维修

1. 将您的电动工具送交专业维修人员，使用同样的备件进行修理。这样将确保所维修的电动工具的安全性。
2. 上润滑油及更换附件时请遵循本说明书指示。
3. 手柄务必保持干燥、清洁、无油（脂）。

电池组的重要安全注意事项

1. 在使用电池组之前，请仔细阅读所有的说明以及（1）电池充电器，（2）电池，以及（3）使用电池的产品上的警告标记。
2. 切勿拆卸或改装电池组。否则可能引起火灾、过热或爆炸。
3. 如果机器运行时间变得过短，请立即停止使用。否则可能会导致过热、起火甚至爆炸。
4. 如果电解液进入您的眼睛，请用清水将其冲洗干净并立即就医。否则可能会导致视力受损。
5. 请勿使电池组短路：
 - (1) 请勿使任何导电材料碰到端子。
 - (2) 避免将电池组与其他金属物品如钉子、硬币等放置在同一容器内。
 - (3) 请勿将电池组置于水中或使其淋雨。电池短路将产生大的电流，导致过热，并可能导致起火甚至击穿。
6. 请勿在温度可能达到或超过50°C（122°F）的场所存放以及使用工具和电池组。
7. 即使电池组已经严重损坏或完全磨损，也请勿焚烧电池组。电池组会在火中爆炸。
8. 请勿对电池组射钉，或者切削、挤压、抛掷、掉落电池组，又或者用硬物撞击电池组。否则可能引起火灾、过热或爆炸。
9. 请勿使用损坏的电池。
10. 本工具附带的锂离子电池需符合危险品法规要求。第三方或转运代理等进行商业运输时，应遵循包装和标识方面的特殊要求。有关运输项目的准备作业，咨询危险品方面的专业人士。同时，请遵守可能更为详尽的国家法规。请使用胶带保护且勿遮掩表面的联络信息，并牢固封装电池，使电池在包装内不可动。
11. 丢弃电池组时，需将其从工具上卸下并在安全地带进行处理。关于如何处理废弃的电池，请遵循当地法规。

12. 仅将电池用于Makita（牧田）指定的产品。将电池安装至不兼容的产品会导致起火、过热、爆炸或电解液泄漏。
13. 如长时间未使用工具，必须将电池从工具内取出。
14. 使用工具期间以及使用工具之后，电池组温度可能较高易引起灼伤或低温烫伤。处理高温电池组时请小心操作。
15. 在使用工具后请勿立即触碰工具的端子，否则可能引起灼伤。
16. 避免锯屑、灰尘或泥土卡入电池组的端子、孔口和凹槽内。否则可能导致工具或电池组性能下降或故障。
17. 除非工具支持在高压电源线路附近使用，否则请勿在高压电源线路附近使用电池组。否则可能导致工具或电池组故障或失常。
18. 确保电池远离儿童。

请保留此说明书。

⚠小心： 请仅使用Makita（牧田）原装电池。使用非Makita（牧田）原装电池或经过改装的电池可能会导致电池爆炸，从而造成火灾、人身伤害或物品受损。同时也会导致牧田工具和充电器的牧田保修服务失效。

保持电池最大使用寿命的提示

1. 在电池组电量完全耗尽前及时充电。发现工具电量低时，请停止工具操作，并给电池组充电。
2. 请勿对已充满电的电池组重新充电。过度充电将缩短电池的使用寿命。
3. 请在10 °C - 40 °C (50 °F - 104 °F) 的室温条件下给电池组充电。请在灼热的电池组冷却后再充电。
4. 不使用电池组时，请将其从工具或充电器上拆除。
5. 如果电池组长时间（超过六个月）未使用，请给其充电。

功能描述

⚠小心： 调节或检查工具功能之前，请务必关闭工具的电源并取出电池组。

安装或拆卸电池组

⚠小心： 安装或拆卸电池组之前，请务必关闭工具电源。

⚠小心： 安装或拆卸电池组时请握紧工具和电池组。否则它们可能从您的手中滑落，导致工具和电池组受损，甚至造成人身伤害。

► 图片1: 1. 红色指示器 2. 按钮 3. 电池组

拆卸电池组时，按下电池组前侧的按钮，同时将电池组从工具中抽出。

安装电池组时，要将电池组上的舌簧与外罩上的凹槽对齐，然后推滑到位。将其完全插入到位，直到锁定并发出咔哒声为止。若能看到图示中的红色指示器，则说明未完全锁紧。

⚠小心： 务必完全装入电池组，直至看不见红色指示器为止。否则，它可能会从工具中意外脱落，从而造成自身或他人受伤。

⚠小心： 请勿强行安装电池组。如果电池组难以插入，可能是插入方法不当。

工具 / 电池保护系统

本工具配备有工具 / 电池保护系统。该系统可自动切断电机电源以延长工具和电池寿命。作业时，如果工具或电池处于以下情况，工具将会自动停止运转。部分情况下，指示灯会亮起。

过载保护

以导致异常高电流的方式操作工具时，工具会自动停止运转，指示灯不闪烁。在这种情况下，请关闭工具并停止导致工具过载的应用操作。然后开启工具重新启动。

过热保护

工具过热时，工具会自动停止。请等待工具冷却后再开启工具。

过放电保护

电池剩余电量变低时，本工具自动停止运转。如果即使在打开开关时本产品仍不运转，请从工具上拆下电池并给电池充电。

显示电池的剩余电量

仅限带指示灯的电池组

- 图片2: 1. 指示灯
2. CHECK (查看) 按钮

按电池组上的CHECK (查看) 按钮可显示电池剩余电量。指示灯将亮起数秒。

指示灯			剩余电量
■ 点亮	□ 熄灭	▧ 闪烁	
	■ ■ ■ ■		75%至100%
	■ ■ ■ □		50%至75%
	■ ■ □ □		25%至50%
	■ □ □ □		0%至25%
	▧ □ □ □		给电池充电。
	■ ■ □ □ ↑ ↓ □ □ ■ ■		电池可能出现故障。

注：在不同的使用条件及环境温度下，指示灯所示电量可能与实际情况略有不同。

注：当电池保护系统启动时，第一个（最左侧）指示灯将闪烁。

开关盒位置

开关盒可悬挂于下腰带的两侧。布置电线，将开关盒放置在需要的一侧。为防止电线受损，请将其穿过图中所示挂钩。

- 图片3: 1. 挂钩 2. 电线

调节肩带和腰带

肩带和上下腰带的松紧度可以调节。先将双臂穿过肩带，然后再扣住上下腰带。收紧时，请向下拉动图中所示带子末端。放松时，请向上拨起紧固装置的末端。

肩带

- 图片4: 1. 带子 2. 紧固装置

上腰带

- 图片5: 1. 带子 2. 紧固装置

下腰带

- 图片6: 1. 带子 2. 紧固装置

提手

携带运输集尘器时务必抓紧提手。

- 图片7: 1. 提手

伸延杆

仅限吸尘型

杆的长度可以调节。旋松杆上的挡圈以调节杆的长度。达到所需长度时再旋紧挡圈。

- 图片8: 1. 挡圈

开关操作

要开始吸尘，请按一下 Ⓜ 按钮。吸尘器将以高吸力（2）启动。如果需要降低吸力，请再按一下 Ⓜ 按钮。吸尘器将以正常吸力（1）运行。如果在吸尘器运行状态下按下该按钮，则吸力会在高吸力和正常吸力之间来回切换。要关闭吸尘器，请按 Ⓚ 按钮。

- 图片9

LED 灯

开关盒的顶端安装了LED灯，可方便暗处操作。按下按钮打开 Ⓚ LED 照明。关闭请再次按 Ⓚ 按钮。

- 图片10

⚠小心：请勿直视灯光或光源。切勿用灯光照射他人眼睛。

注：当集尘器超过10分钟无任何操作时，LED灯自动熄灭。

注：软管、管道、过滤器堵塞或其它原因导致集尘器进气量减少，使集尘器过热时，集尘器会自动关闭，且LED灯闪烁。

软管束带

软管束带可用于固定软管或通用集尘口。要固定软管至集尘器主机，请使软管束带穿过主机上的槽口。您可以将软管束带固定至任一侧。

► **图片11:** 1. 软管束带 2. 槽口 3. 软管

要将通用集尘口固定在下腰带上，请将软管束带穿过下腰带上的环。

► **图片12:** 1. 软管束带 2. 通用集尘口

软管挂钩

仅限吸尘型

悬挂操作时，软管上的挂钩可用于悬挂下腰带上的杆。

► **图片13**

装配

⚠小心： 对工具进行任何装配操作前，请务必关闭工具电源，并取出电池组。

组装软管

将软管口插入吸尘器机身并顺时针转动。

► **图片14:** 1. 软管接头 2. 集尘器机身

组装杆和集尘口

仅限吸尘型

将吸尘口连接至延伸杆。之后请将肩起吸尘器机身，然后将软管连接至延伸杆。

连接延伸杆和集尘口

► **图片15:** 1. 延伸杆 2. 通用集尘口 3. T型集尘口

连接软管和延伸杆

► **图片16:** 1. 软管 2. 延伸杆 3. 通用集尘口

注： 通用集尘口可直接安装至软管。

连接工具

仅限除尘型

将软管的前端管口连接工具的除尘出气口。

► **图片17:** 1. 前端管口 2. 除尘出气口

务必使用合适的前端管口。可在握住软管的同时逆时针旋转前端管口将其拆下。连接时，需确保前端管口已牢固拧紧至软管。

► **图片18:** 1. 软管 2. 前端管口

使用24号前端管口时，请将其插入已连接至软管的22号前端管口。

► **图片19:** 1. 22号前端管口 2. 24号前端管口

安装弯管组件

对于除尘型，将选购的弯管组件用于集尘。要安装弯管组件时，旋下软管的前端管口并且将弯管的套筒固定在软管上。

► **图片20:** 1. 软管 2. 弯管组件 3. 套筒

安装过滤袋

⚠小心： 请勿使用损坏的过滤袋。使用集尘器时，务必确保过滤袋已正确安装。否则吸入的灰尘或颗粒物可能会从集尘器排出，可能会导致操作者罹患呼吸道疾病。

注意： 当过滤袋满时，请更换新的过滤袋。继续使用已装满的过滤袋会导致吸力降低。

1. 提起底端以解开扣锁。推动凹槽区以提起锁扣前侧。拉动锁扣以打开扣盖。

► **图片21:** 1. 挂钩 2. 扣盖

2. 将过滤袋插入图中所示部位上侧的凹槽中。

► **图片22:** 1. 凹槽 2. 过滤袋 / 集尘袋

使用集尘袋（选购附件）时，将集尘袋的边缘插入凹槽。

► **图片23:** 1. 凹槽 2. 边缘

3. 将过滤袋的孔对准软管接头，将卡纸板部分推入到底。请确保过滤袋的橡胶垫贴紧软管接口的边缘。

► **图片24:** 1. 过滤袋的橡胶垫 2. 软管接口的边缘 3. 过滤袋的卡纸板部分 4. 软管接头

操作

警告： 操作者必须充分了解如何使用该集尘器。

警告： 该集尘器不适合吸取有毒灰尘。

小心： 该吸尘器仅用于干燥环境。

小心： 该吸尘器仅用于室内。

小心： 插入电池组时请务必使其完全锁紧到位。如果插入后仍能看到按钮上侧的红色指示灯，则说明电池组未完全锁紧。此时，须将电池适配器完全插入，直到红色指示灯不亮为止。否则它可能会意外从工具中脱落，从而造成自身或他人受伤。

小心： 作业期间，应注意背负的吸尘器。如果吸尘器磕碰到墙壁或软管被障碍物勾住，您可能会失去平衡。

1. 背起集尘器机身并紧固上下腰带。根据需要调节松紧度。

► 图片25

2. 按下 Ⓜ 按钮开始吸尘。如果需要降低吸力，请再按一下 Ⓜ 按钮。按下 Ⓚ 按钮停止吸尘。

► 图片26

作业期间，请将开关盒悬于下腰带上。前方照明时可将挂钩倾斜。

► 图片27

注： 软管、管道、过滤器堵塞或其它原因导致集尘器进气量减少，使集尘器过热时，集尘器会自动关闭，且LED灯闪烁。此时，请解决导致机器发热的问题，并等待集尘器温度下降后再重新启动。

3. 过滤袋装满时请更换。打开扣盖，取出过滤袋。拉动开口侧的带子以闭合过滤袋，然后整体丢弃过滤袋。

► 图片28: 1. 带子

使用集尘袋（选购附件）时，请取出集尘袋，然后松开锁扣倒出集尘。

► 图片29: 1. 锁扣

注意： 定期检查过滤袋是否已满。继续使用已装满的过滤袋会导致吸力降低。

注意： 请勿使用已用过的过滤袋。过滤袋为一次性产品。如需重复使用，请使用集尘袋（选购附件）。

保养

小心： 检查或保养工具之前，请务必关闭工具电源并取出电池组。

注意： 切勿使用汽油、苯、稀释剂、酒精或类似物品清洁工具。否则可能会导致工具变色、变形或出现裂缝。

清洁HEPA过滤器

小心： 切勿在未安装过滤器的情况下使用集尘器，或继续使用变脏或受损的过滤器。吸入的灰尘或颗粒物可能会导致操作者罹患呼吸道疾病。

注意： 为确保良好的吸力以及排气顺畅，请定期清洁过滤器。如果清洁上述位置后吸力仍不理想，请更换新的过滤器。

注意： 为防止过滤器受损，请勿使用以下和类似工具进行清洁：

- 空气除尘器
- 高压清洗机
- 金属刷等采用硬质材料制成的工具

1. 打开扣盖，取出过滤袋。松开过滤器的挂钩，将其从集尘器机身取下。

► 图片30

2. 拍落过滤器上的灰尘。过滤器可以水洗。每隔1至2个月清洗一次过滤器上的灰尘和颗粒物。清洗后，为防止产生异味或出现故障，请将过滤器放在通风良好，且无阳光直射的地方完全晾干。

3. 安装过滤器时，将没有垂悬平片的一侧插入支架，然后向下按过滤器直至垂悬平片被肋片固定。

► 图片31: 1. 支架 2. HEPA过滤器 3. 肋片
4. 垂悬平片

清洁集尘袋

定期使用肥皂水清洁集尘袋。将集尘袋内侧翻向外部并清除粘性粉尘。用手轻轻清洗并用清水漂净。在将其安装至吸尘器前使其彻底干燥。

► 图片32

注意：潮湿的集尘袋会降低吸尘性能并缩短电机寿命。

为了保证产品的安全与可靠性，维修、任何其他维修保养或调节需由Makita（牧田）授权的或工厂维修服务中心完成。务必使用Makita（牧田）的替换部件。

选购附件

⚠小心： 这些附件或装置专用于本说明书所列的Makita（牧田）工具。如使用其他厂牌附件或装置，可能导致人身伤害。仅可将附件或装置用于规定目的。

如您需要了解更多关于这些选购附件的信息，请咨询当地的Makita（牧田）维修服务中心。

- 软管（吸尘型）
- 软管（除尘型）
- 伸延杆
- 通用集尘口
- T型集尘口
- 地毯清洁专用集尘口
- 角落集尘口
- 集尘口组件
- 货架刷
- 圆刷
- 直管
- 弯管
- 过滤袋
- 集尘袋
- 前端管口
- HEPA过滤器
- Makita（牧田）原装电池和充电器

注： 本列表中的一些部件可能作为标准配件包含于工具包装内。它们可能因销往国家之不同而异。

PERINGATAN

- Pengisap ini tidak dimaksudkan untuk digunakan oleh orang termasuk anak-anak dengan kemampuan fisik, indra, atau mental terbatas atau orang yang tidak berpengalaman.
- Awasi anak-anak untuk memastikan mereka tidak bermain-main dengan pembersih ini.
- Lihat bagian "SPESIFIKASI" untuk mengetahui referensi tipe baterai.
- Lihat bagian "Memasang atau melepas kartrid baterai" untuk mengetahui cara mengganti atau memasang baterai.
- Ketika membuang kartrid baterai, lepaskan dari mesin dan buang ke tempat yang aman. Patuhi peraturan setempat yang berkaitan dengan pembuangan baterai.
- Jika mesin tidak digunakan dalam jangka waktu yang lama, baterai harus dilepas dari mesin.
- Jangan menghubungkan terminal kartrid baterai.
- Lihat bagian "PEMELIHARAAN" untuk mengetahui detail tindakan pencegahan yang sesuai selama perawatan oleh pengguna.

SPESIFIKASI

Model:		DVC260
Kapasitas	Kantong saringan	2,0 L
	Kantong debu	1,5 L
Volume udara maksimum	Dengan selang ø28 mm	1,5 m ³ /min
	Dengan selang ø38 mm	1,8 m ³ /min
Dimensi (P x L x T) (tidak termasuk tali pundak)		230 mm x 152 mm x 373 mm
Tegangan terukur		D.C. 36 V
Berat bersih (Tipe pengisap debu)		3,8 - 4,3 kg

- Karena kesinambungan program penelitian dan pengembangan kami, spesifikasi yang disebutkan di sini dapat berubah tanpa pemberitahuan.
- Spesifikasi dan kartrid baterai dapat berbeda dari satu negara ke negara lainnya.
- Berat tidak termasuk aksesoris selain kartrid baterai. Berat gabungan paling ringan dan paling berat dari peralatan dan kartrid baterai ditampilkan dalam tabel.

Kartrid dan pengisi daya baterai yang dapat digunakan

Kartrid baterai	BL1815N / BL1820B / BL1830B / BL1840B / BL1850B / BL1860B
Pengisi daya	DC18RC / DC18RD / DC18RE / DC18SD / DC18SE / DC18SF / DC18SH

- Beberapa kartrid baterai dan pengisi daya yang tercantum di atas mungkin tidak tersedia, tergantung wilayah tempat tinggal Anda.

⚠ PERINGATAN: Hanya gunakan kartrid dan pengisi daya baterai yang tercantum di atas. Penggunaan kartrid dan pengisi daya baterai lain dapat menimbulkan risiko cedera dan/atau kebakaran.

Simbol

Berikut ini adalah simbol-simbol yang dapat digunakan pada peralatan ini. Pastikan Anda memahami arti masing-masing simbol sebelum menggunakan peralatan.



Baca petunjuk penggunaan.



Berhati-hatilah dan pusatkan perhatian Anda.



Ni-MH
Li-ion

Hanya untuk negara-negara UE
Akibat adanya komponen berbahaya dalam peralatan, limbah peralatan listrik dan elektronik, aki dan baterai dapat memiliki dampak negatif pada lingkungan dan kesehatan manusia.
Jangan buang peralatan listrik dan elektronik atau baterai bersama limbah rumah tangga!
Sesuai dengan Petunjuk Eropa tentang limbah peralatan listrik dan elektronik dan tentang aki dan baterai serta limbah aki dan baterai, serta penyesuaiannya terhadap undang-undang nasional, limbah peralatan listrik, baterai dan aki harus disimpan secara terpisah dan dikirim ke tempat pengumpulan terpisah untuk sampah kota, beroperasi sesuai dengan peraturan tentang perlindungan lingkungan.
Hal ini ditunjukkan dengan simbol tempat sampah bersilang yang ditempatkan pada peralatan.

Penggunaan

Mesin ini digunakan untuk mengumpulkan debu. Mesin ini cocok untuk penggunaan komersial, misalnya pada hotel, sekolah, rumah sakit, pabrik, toko, kantor, dan bisnis penyewaan.

PERINGATAN KESELAMATAN

Peringatan keselamatan penyedot debu nirkabel

⚠️ PERINGATAN: PENTING BACALAH semua peringatan keselamatan dan semua petunjuk **SEBELUM MENGGUNAKAN DENGAN SAKSAMA.** Kelalaian mematuhi peringatan dan petunjuk dapat menyebabkan sengatan listrik, kebakaran, dan/atau cedera serius.

1. **Sebelum penggunaan, pastikan pengisap digunakan oleh orang yang telah memahami petunjuk penggunaan pengisap ini.**
2. **Jangan menggunakan pengisap tanpa saringan. Segera ganti saringan yang rusak.**

3. **Jangan gunakan untuk membersihkan bahan yang mudah terbakar, kembang api, rokok menyala, abu panas, serpihan logam panas, benda tajam seperti pisau cukur, jarum, pecahan kaca, atau sejenisnya.**
4. **JANGAN GUNAKAN PENGISAP DI DEKAT BENSIN, GAS, CAT, PEREKAT, ATAU BAHAN LAINNYA YANG MUDAH MELEDAK.** Sakelar memercikkan api saat dinyalakan dan dimatikan. Begitu pula komutator motor saat pengoperasian. Dapat terjadi ledakan.
5. **Pembersih ini tidak cocok digunakan untuk mengangkat debu berbahaya.**
6. **Jangan gunakan untuk membersihkan bahan beracun, karsinogenik, mudah terbakar, atau bahan berbahaya lain seperti asbestos, arsenik, barium, berilium, timbal, pestisida, atau bahan lain yang berbahaya bagi kesehatan.**
7. **Jangan pernah gunakan pengisap di luar ruangan saat hujan.**
8. **Di Finlandia, mesin ini tidak digunakan di luar ruangan pada suhu rendah.**
9. **Jangan gunakan di dekat sumber panas (kompor, dsb.).**
10. **Jangan menghalangi ventilasi pendingin.** Ventilasi ini berfungsi mendinginkan motor. **Jangan sampai terhalang karena motor dapat terbakar akibat kekurangan ventilasi.**
11. **Selalu jaga pijakan dan keseimbangan yang tepat.**
12. **Jangan menekuk, menarik, atau menginjak kabel.**
13. **Segera hentikan pengisap jika kinerjanya buruk atau terjadi hal yang tidak wajar selama pengoperasian.**
14. **LEPASKAN BATERAI.** Saat tidak digunakan, sebelum diperbaiki, dan saat mengganti aksesori.
15. **Bersihkan dan rawat pengisap segera setelah selesai digunakan untuk menjaganya tetap dalam kondisi operasi yang prima.**
16. **RAWATLAH PENGISAP DENGAN BAIK.** Jaga agar pengisap tetap bersih untuk mendapatkan kinerja yang lebih baik dan aman. Ikuti petunjuk saat mengganti aksesori. Jagalah agar gagang kering, bersih, serta bebas dari minyak dan gemuk.
17. **PERIKSA BAGIAN YANG RUSAK.** Sebelum terus menggunakan pengisap, pelindung dan bagian lainnya yang rusak harus diperiksa secara cermat untuk menentukan apakah pengisap akan bekerja dengan baik dan berfungsi sesuai yang diharapkan. Periksa kesejajaran bagian yang berputar, macetnya gerakan bagian yang berputar, kerusakan komponen, kondisi pemasangan dan hal lain yang dapat memengaruhi kerja pengisap. Pelindung atau bagian lain yang rusak harus diperbaiki dengan benar atau diganti oleh pusat layanan resmi kecuali jika diindikasikan lain dalam petunjuk penggunaan ini. Ganti sakelar-sakelar yang rusak oleh pusat layanan resmi. **Jangan gunakan pengisap jika sakelar tidak dapat menyalakan dan mematikan pengisap.**

18. **SUKU CADANG PENGGANTI.** Saat melakukan perbaikan, gunakan hanya suku cadang pengganti yang serupa.
19. **SIMPAN PENGISAP SAAT TIDAK DIGUNAKAN.** Saat tidak digunakan, pengisap harus disimpan dalam ruangan.
20. Tangani pengisap dengan hati-hati. Penanganan yang kasar dapat menyebabkan kerusakan pada pengisap paling kokoh sekalipun.
21. Jangan bersihkan bagian luar pengisap dengan benzena, tiner, atau bahan kimia pembersih. Penggunaan bahan tersebut dapat menimbulkan keretakan dan perubahan warna.
22. Jangan gunakan pengisap di ruangan tertutup yang terdapat uap yang mudah terbakar, mudah meledak, atau beracun yang berasal dari cat berbahan dasar minyak, tiner cat, bensin, bahan antirayap, dsb. atau di area di mana terdapat debu yang mudah terbakar.
23. Jangan gunakan penyedot debu di bawah pengaruh obat-obatan atau alkohol.
24. Sesuai aturan dasar keselamatan, gunakan kaca mata pengaman dengan pelindung samping.
25. Gunakan masker debu dalam kondisi kerja yang berdebu.
26. Pengisap ini tidak dimaksudkan untuk digunakan oleh orang termasuk anak-anak dengan kemampuan fisik, indra, atau mental terbatas atau orang yang tidak berpengalaman.
27. Awasi anak-anak untuk memastikan mereka tidak bermain-main dengan pembersih ini.
28. Dilarang memegang baterai atau pengisap dengan tangan yang basah.
29. Berhati-hatilah saat membersihkan tangga.
30. Jangan gunakan pengisap sebagai tempat duduk atau meja kerja. Pengisap dapat jatuh dan menyebabkan cedera.

Penggunaan dan pemeliharaan mesin bertenaga baterai

1. Isi ulang baterai hanya dengan pengisi daya yang ditentukan oleh pabrikan. Pengisi daya yang cocok untuk satu jenis paket baterai dapat menimbulkan risiko kebakaran ketika digunakan untuk paket baterai yang lain.
2. Gunakan mesin listrik hanya dengan paket baterai yang telah ditentukan secara khusus. Penggunaan paket baterai lain dapat menimbulkan risiko cedera dan kebakaran.
3. Ketika paket baterai tidak digunakan, jauhkan dari benda logam lain, seperti penjepit kertas, uang logam, kunci, paku, sekrup atau benda logam kecil lainnya, yang dapat menghubungkan satu terminal ke terminal lain. Hubungan singkat terminal baterai dapat menyebabkan luka bakar atau kebakaran.
4. Pemakaian yang salah, dapat menyebabkan keluarnya cairan dari baterai; hindari kontak. Jika terjadi kontak secara tidak sengaja, bilas dengan air. Jika cairan mengenai mata, cari bantuan medis. Cairan yang keluar dari baterai bisa menyebabkan iritasi atau luka bakar.

5. **Jangan menggunakan paket baterai atau mesin yang sudah rusak atau telah diubah.** Baterai yang rusak atau telah diubah dapat menyebabkan hal-hal yang tidak dapat diprediksi yang dapat menyebabkan kebakaran, ledakan atau risiko cedera.
6. **Jangan membiarkan paket baterai atau mesin dekat dengan api atau suhu yang berlebihan.** Paparan api atau suhu di atas 130 °C dapat menyebabkan ledakan.
7. **Ikuti semua petunjuk pengisian daya dan jangan mengisi daya paket baterai atau mesin di luar rentang suhu yang ditentukan di panduan.** Mengisi daya secara tidak tepat atau pada suhu di luar rentang yang ditentukan dapat merusak baterai dan meningkatkan risiko kebakaran.
8. **Jangan menggunakan suplai daya berkabel seperti adaptor baterai atau paket daya portabel dengan mesin ini.** Kabel suplai daya tersebut dapat menghalangi pengoperasian dan mengakibatkan cedera.

Servis

1. **Berikan mesin listrik untuk diperbaiki hanya kepada oleh teknisi yang berkualifikasi dengan menggunakan hanya suku cadang pengganti yang serupa.** Hal ini akan menjamin terjaganya keamanan mesin listrik.
2. **Patuhi petunjuk pelumasan dan penggantian aksesoris.**
3. **Jagalah agar gagang kering, bersih, dan bebas dari minyak dan gemuk.**

Petunjuk keselamatan penting untuk kartrid baterai

1. **Sebelum menggunakan kartrid baterai, bacalah semua petunjuk dan penandaan pada (1) pengisi daya baterai, (2) baterai, dan (3) produk yang menggunakan baterai.**
2. **Jangan membongkar atau memodifikasi kartrid baterai.** Tindakan tersebut dapat menimbulkan api, panas berlebih, atau ledakan.
3. **Jika waktu beroperasinya menjadi sangat singkat, segera hentikan penggunaan.** Hal tersebut dapat menimbulkan risiko panas berlebih, kemungkinan mengalami luka bakar atau bahkan terjadi ledakan.
4. **Jika elektrolit mengenai mata Anda, basuh dengan air bersih dan segera cari pertolongan medis.** Hal tersebut dapat mengakibatkan hilangnya kemampuan penglihatan Anda.
5. **Jangan menghubungkan terminal kartrid baterai:**
 - (1) **Jangan menyentuh terminal dengan bahan penghantar listrik apa pun.**
 - (2) **Hindari menyimpan kartrid baterai pada wadah yang berisi benda logam lain seperti paku, uang logam, dsb.**

- (3) Jangan membiarkan baterai terkena air atau kehujanan. Hubungan singkat baterai dapat menyebabkan aliran arus listrik yang besar, panas berlebih, kemungkinan mengalami luka bakar dan bahkan kerusakan pada baterai.
6. Jangan menyimpan dan menggunakan mesin dan kartrid baterai pada lokasi dengan suhu yang bisa mencapai atau melebihi 50 °C (122 °F).
 7. Jangan membuang kartrid baterai di tempat pembakaran sampah walaupun benar-benar rusak atau tidak bisa digunakan sama sekali. Kartrid baterai bisa meledak jika terbakar.
 8. Jangan memaku, memotong, menghancurkan, melempar, menjatuhkan kartrid baterai, atau memukulkan benda keras ke kartrid baterai. Tindakan tersebut dapat menimbulkan api, panas berlebih, atau ledakan.
 9. Jangan menggunakan baterai yang rusak.
 10. **Baterai litium-ion yang disertakan sesuai dengan persyaratan Perundangan Makanan Berbahaya.** Harus ada pengawasan untuk pengangkutan komersial misalnya oleh pihak ketiga, ekspediter, persyaratan khusus terhadap pengemasan dan pelabelan. Diperlukan adanya konsultasi dengan ahli mengenai material berbahaya untuk persiapan barang yang akan dikirimkan. Perhatikan pula peraturan nasional yang lebih terperinci yang mungkin ada. Beri perekat atau tutupi bagian yang terbuka dan kemasi baterai dengan cara yang tidak akan menimbulkan pergeseran dalam pengemasan.
 11. **Ketika membuang kartrid baterai, lepaskan dari mesin dan buang ke tempat yang aman. Patuhi peraturan setempat yang berkaitan dengan pembuangan baterai.**
 12. **Gunakan baterai hanya dengan produk yang ditentukan oleh Makita.** Memasang baterai pada produk yang tidak sesuai dapat menyebabkan kebakaran, kelebihan panas, ledakan, atau kebocoran elektrolit.
 13. **Jika mesin tidak digunakan dalam jangka waktu yang lama, baterai harus dilepas dari mesin.**
 14. **Selama dan setelah digunakan, kartrid baterai mungkin menyimpan panas yang dapat menyebabkan luka bakar atau luka bakar suhu rendah.** Perhatikan cara memegang kartrid baterai yang masih panas.
 15. **Jangan langsung menyentuh terminal mesin setelah digunakan karena suhunya mungkin cukup panas untuk menyebabkan luka bakar.**
 16. **Jangan biarkan serpihan, debu, atau tanah menempel di terminal, lubang, dan alur kartrid baterai.** Hal tersebut dapat mengakibatkan kinerja buruk atau kerusakan mesin maupun kartrid baterai.

17. **Kecuali jika mesin mendukung penggunaan di dekat saluran listrik bertegangan tinggi, jangan gunakan kartrid baterai di dekat saluran listrik bertegangan tinggi.** Hal tersebut dapat mengakibatkan kegagalan fungsi atau kerusakan mesin maupun kartrid baterai.
18. **Jauhkan baterai dari jangkauan anak-anak.**

SIMPAN PETUNJUK INI.

PERHATIAN: Gunakan baterai asli Makita. Penggunaan baterai Makita yang tidak asli, atau baterai yang sudah diubah, akan mengakibatkan baterai mudah terbakar, cedera dan kerusakan. Akan menghilangkan garansi Makita pada pengisi daya dan alat Makita.

Tip untuk menjaga agar umur pemakaian baterai maksimum

1. **Isi ulang kartrid baterai sebelum habis sama sekali.** Selalu hentikan penggunaan mesin dan ganti kartrid baterai jika Anda melihat bahwa mesin kurang tenaga.
2. **Jangan pernah mengisi ulang kartrid baterai yang sudah diisi penuh.** Pengisian ulang yang berlebih memperpendek umur pemakaian baterai.
3. **Isi ulang kartrid baterai pada suhu ruangan 10 °C - 40 °C.** Biarkan kartrid baterai yang panas menjadi dingin terlebih dahulu sebelum diisi ulang.
4. **Saat kartrid baterai tidak digunakan, lepaskan dari mesin atau pengisi daya.**
5. **Isi ulang daya kartrid baterai jika Anda tidak menggunakannya untuk jangka waktu yang lama (lebih dari enam bulan).**

DESKRIPSI FUNGSI

PERHATIAN: Selalu pastikan bahwa mesin dimatikan dan kartrid baterai dilepas sebelum menyatel atau memeriksa kerja mesin.

Memasang atau melepas baterai

PERHATIAN: Selalu matikan mesin sebelum memasang atau melepas kartrid baterai.

PERHATIAN: Pegang mesin dan kartrid baterai kuat-kuat saat memasang atau melepas kartrid baterai. Kelalaian untuk memegang mesin dan kartrid baterai kuat-kuat bisa menyebabkan keduanya tergelincir dari tangan Anda dan mengakibatkan kerusakan pada mesin dan kartrid baterai dan cedera diri.

- **Gbr.1:** 1. Indikator berwarna merah 2. Tombol 3. Kartrid baterai

Untuk melepas kartrid baterai, geser dari mesin sambil menggeser tombol pada bagian depan kartrid.

Untuk memasang kartrid baterai, sejajarkan lidah kartrid baterai dengan alur pada rumah dan masukkan ke dalam tempatnya. Masukkan seluruhnya sampai terkunci pada tempatnya dan terdengar bunyi klik kecil. Jika Anda bisa melihat indikator berwarna merah seperti yang ditunjukkan pada gambar, ini artinya kartrid baterai tidak terkunci sempurna.

⚠️ PERHATIAN: Selalu pasang kartrid baterai sepenuhnya sampai indikator berwarna merah tidak terlihat. Jika tidak, bisa terlepas dari mesin secara tidak sengaja, menyebabkan luka pada Anda atau orang di sekitar Anda.

⚠️ PERHATIAN: Jangan memasang kartrid baterai secara paksa. Jika kartrid tidak bergeser dengan mudah, berarti tidak dimasukkan dengan benar.

Lampu indikator			Kapasitas yang tersisa
Menyala	Mati	Berkedip	
			75% hingga 100%
			50% hingga 75%
			25% hingga 50%
			0% hingga 25%
			Isi ulang baterai.
			Baterai mungkin sudah rusak.

Sistem perlindungan mesin / baterai

Mesin ini dilengkapi dengan sistem perlindungan mesin/ baterai. Sistem ini memutus daya ke motor secara otomatis untuk memperpanjang umur pemakaian mesin dan baterai. Mesin akan berhenti secara otomatis saat penggunaan jika mesin atau baterai berada dalam salah satu kondisi berikut ini. Dalam kondisi yang sama, indikator akan menyala.

Perlindungan kelebihan beban

Bila mesin dijalankan dengan cara yang menyebabkannya menarik arus tinggi yang tidak normal, mesin akan berhenti secara otomatis tanpa menunjukkan apa-apa. Untuk situasi ini, matikan mesin dan hentikan pekerjaan yang menyebabkan mesin mengalami kelebihan beban. Kemudian nyalakan mesin untuk memulai lagi pekerjaan.

Perlindungan panas berlebih

Bila peralatan mengalami kelebihan panas, mesin akan berhenti secara otomatis. Biarkan mesin menjadi dingin sebelum dinyalakan kembali.

Perlindungan pengisian daya berlebih

Ketika kapasitas baterai melemah, mesin akan berhenti secara otomatis. Jika produk tidak beroperasi bahkan ketika sakelar digunakan, lepaskan baterai dari mesin dan isi daya baterai.

Mengindikasikan kapasitas baterai yang tersisa

Hanya untuk kartrid baterai dengan indikator

► **Gbr.2:** 1. Lampu indikator 2. Tombol pemeriksaan

Tekan tombol pemeriksaan pada kartrid baterai untuk melihat kapasitas baterai yang tersisa. Lampu indikator menyala selama beberapa detik.

CATATAN: Tergantung kondisi penggunaan dan suhu lingkungannya, penunjuk mungkin saja sedikit berbeda dari kapasitas sebenarnya.

CATATAN: Lampu indikator pertama (ujung kiri) akan berkedip ketika sistem perlindungan mesin bekerja.

Posisi kotak sakelar

Kotak sakelar dapat dikaitkan pada kedua sisi sabuk bagian bawah. Atur kabel sehingga kotak sakelar bisa berada pada sisi yang Anda inginkan. Untuk menghindari kabel dari kerusakan, pindahkan kabel lewat pengait seperti digambarkan.

► **Gbr.3:** 1. Kait 2. Kabel

Menyetel sabuk

Kekencangan selempang, sabuk atas dan bawah dapat disetel. Pertama-tama gunakan selempang pada pundak Anda lalu kencangkan sabuk bagian atas dan bawah. Untuk mengencangkan, tarik bagian ujung tali pengikat seperti digambarkan. Untuk mengendurkan, tarik ujung pengencang.

Selempang

► **Gbr.4:** 1. Tali pengikat 2. Pengencang

Sabuk atas

► **Gbr.5:** 1. Tali pengikat 2. Pengencang

Sabuk bawah

► **Gbr.6:** 1. Tali pengikat 2. Pengencang

Kait pembawa

Selalu pegang kait pembawa saat memegang badan penyedot debu.

► **Gbr.7:** 1. Kait pembawa

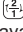


Gagang tambahan

Hanya untuk tipe pengisap debu

Panjang gagang dapat diatur. Kendurkan cincin pada gagang lalu atur seberapa panjang gagang yang Anda inginkan. Kencangkan cincin pada panjang yang Anda perlukan.

► **Gbr.8:** 1. Cincin



Kerja sakelar

Untuk memulai mengisap, tekan tombol  sekali. Pengisap debu akan menyala dengan daya yang lebih tinggi (2). Jika Anda ingin membuat daya isap yang lebih rendah, tekan tombol  sekali lagi. Pengisap debu akan beroperasi dengan daya isap normal (1). Ketika Anda menekan tombol selagi pengisap debu beroperasi, daya isap akan beralih antara yang lebih tinggi dan normal. Untuk mematikan pengisap debu, tekan tombol .

► **Gbr.9**

Lampu LED

Lampu LED dipasang pada bagian kepala kotak sakelar untuk memudahkan penggunaan pada tempat gelap.

Tekan tombol  untuk menyalakan lampu. Untuk mematikan, tekan kembali tombol .

► **Gbr.10**

⚠PERHATIAN: Jangan melihat lampu atau sumber cahaya secara langsung. Jangan mengarahkan lampu ke mata orang lain.

CATATAN: Lampu LED akan mati secara otomatis saat penyedot debu tidak digunakan selama lebih dari 10 menit.

CATATAN: Penyedot debu akan mati secara otomatis dan lampu LED akan berkedip saat mesin penyedot debu terlalu panas karena kurangnya sirkulasi udara ke mesin yang disebabkan oleh tersumbatnya selang, pipa, saringan, atau sebab lain.

Pita selang

Karet selang dapat digunakan untuk menahan selang atau nosel bebas.

Untuk mengencangkan selang ke badan pengisap debu, lewatkan karet selang melalui celah pada badan. Anda dapat memasang karet selang pada salah satu sisi.

► **Gbr.11:** 1. Pita selang 2. Celah 3. Selang

Untuk menahan mulut pipa serba guna pada sabuk bawah, masukkan pita selang melalui lubang yang terdapat pada sabuk bagian bawah.

► **Gbr.12:** 1. Pita selang 2. Mulut pipa serbaguna

Kait selang

Hanya untuk tipe pengisap debu

Saat Anda berhenti menggunakannya, kait pada selang dapat digunakan untuk menggantungkan pipa yang ada di sabuk bawah.

► **Gbr.13**

PERAKITAN

⚠PERHATIAN: Selalu pastikan bahwa mesin dimatikan dan kartrid baterai dilepas sebelum melakukan pekerjaan apa pun pada mesin.

Memasang selang

Masukkan manset selang ke dalam badan mesin pengisap debu, kemudian putar searah jarum jam.

► **Gbr.14:** 1. Ujung selang 2. Badan penyedot debu

Memasang pipa dan nosel

Hanya untuk tipe pengisap debu

Hubungkan nosel ke pipa sambungan. Setelah itu, panggul badan pengisap debu, lalu hubungkan selangnya dengan pipa sambungan.

Menyambung gagang tambahan dan mulut pipa

► **Gbr.15:** 1. Gagang tambahan 2. Mulut pipa serbaguna 3. Mulut pipa T

Menyambung selang dan gagang tambahan

► **Gbr.16:** 1. Selang 2. Gagang tambahan 3. Mulut pipa serbaguna

CATATAN: Mulut pipa serbaguna dapat dikaitkan pada selang secara langsung.

Menghubungkan alat

Hanya untuk tipe pengumpul debu

Hubungkan manset depan selang dengan lubang pengumpul pada alat.

► **Gbr.17:** 1. Manset depan 2. Lubang pengumpul

Selalu gunakan manset depan yang sesuai. Manset depan dapat dilepaskan dengan memutarkannya berlawanan arah jarum jam selagi memegang selang. Saat menghubungkan, pastikan manset depan telah disekrup dengan kuat di selang.

► **Gbr.18:** 1. Selang 2. Manset depan

Saat menggunakan manset depan 24, masukkan ke dalam manset depan 22 yang terhubung ke selang.

► **Gbr.19:** 1. Manset depan 22 2. Manset depan 24

Memasang rakitan pipa lengkung

Untuk tipe pengumpul debu, gunakan pilihan rakitan pipa lengkung untuk mengisap debu. Untuk memasang rakitan pipa lengkung, kendurkan manset depan dari selang dan kencangkan selongsong rakitan pipa lengkung ke selang.

- **Gbr.20:** 1. Selang 2. Rakitan pipa lengkung
3. Selongsong

Memasang kantong saringan

PERHATIAN: Jangan menggunakan kantong saringan yang rusak. Selalu gunakan penyedot debu dengan kantong saringan yang sudah terpasang dengan benar. Bila tidak, debu atau benda-benda kecil yang terisap akan dibuang dari penyedot debu dan dapat menyebabkan gangguan pernapasan pada pengguna.

PEMBERITAHUAN: Ganti kantong saringan dengan yang baru jika penuh. Penggunaan kantong saringan yang penuh secara terus menerus dapat menyebabkan berkurangnya daya isap mesin.

1. Buka pengunci dengan cara mengangkat bagian bawah mesin. Tekan area berlekuk untuk mengangkat bagian pengunci depan. Tarik pengunci untuk membuka penutup.

► **Gbr.21:** 1. Kait 2. Penutup

2. Masukkan kantong saringan ke dalam celah pada ruang bagian atas seperti digambarkan.

► **Gbr.22:** 1. Celah 2. Kantong saringan / Kantong debu

Saat menggunakan kantong debu (aksesori opsional), masukkan bagian pinggir kantong debu ke dalam celah.

► **Gbr.23:** 1. Celah 2. Bagian pinggir

3. Sejajarkan lubang kantong saringan dengan ujung selang lalu tekan bagian kardus hingga terantuk. Pastikan bahwa cincin karet pada kantong saringan melebihi pinggir ujung selang.

► **Gbr.24:** 1. Cincin karet pada kantong saringan
2. Pinggiran pada ujung selang 3. Bagian kardus kantong saringan 4. Ujung selang

PENGUNAAN

PERINGATAN: Pengguna harus cukup terlatih dalam penggunaan penyedot debu.

PERINGATAN: Penyedot debu ini tidak cocok untuk mengisap debu beracun.

PERHATIAN: Penyedot debu ini hanya boleh digunakan untuk mengisap material kering.

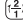


PERHATIAN: Penyedot debu ini hanya boleh digunakan dalam ruangan.

PERHATIAN: Selalu masukkan baterai seluruhnya sampai terkunci pada tempatnya. Jika Anda bisa melihat indikator berwarna merah pada sisi atas tombol, berarti tidak terkunci sepenuhnya. Masukkan sepenuhnya sampai indikator berwarna merah tidak terlihat. Jika tidak, baterai bisa terlepas dari mesin secara tidak sengaja, menyebabkan luka pada Anda atau orang di sekitar Anda.

PERHATIAN: Saat pengoperasian, sadari pengisap debu di belakang Anda. Anda bisa saja kehilangan keseimbangan jika badan pengisap debu terbentur dinding atau selang tersangkut penghalang.

1. Selempangkan badan penyedot debu lalu kencangkan sabuk bagian atas dan bawah. Setel kencangan yang diperlukan.

► **Gbr.25**

2. Tekan tombol  untuk memulai pengisapan. Jika Anda ingin membuat daya isap yang lebih rendah, tekan tombol  sekali lagi. Tekan tombol  untuk berhenti.

► **Gbr.26**

Selama digunakan, kaitkan kotak sakelar pada sabuk bawah. Kait dapat dimiringkan untuk penerangan ke depan.

► **Gbr.27**

CATATAN: Penyedot debu akan mati secara otomatis dan lampu LED akan berkedip saat mesin penyedot debu terlalu panas karena kurangnya sirkulasi udara ke mesin yang disebabkan oleh tersumbatnya selang, pipa, saringan, atau sebab lain. Pada hal ini, lepaskan sumber masalah dan dinginkan mesin penyedot debu sebelum digunakan kembali.

3. Ganti kantong saringan jika penuh. Buka penutup lalu keluarkan kantong saringan. Tarik tali yang berada pada sisi pembuka untuk menutup kantong saringan dan membuang kantong saringan seluruhnya.

► **Gbr.28:** 1. Tali

Saat menggunakan kantong debu (aksesori opsional), lepas kantong debu lalu buang debu dengan melepas pengunci.

► **Gbr.29:** 1. Pengunci

PEMBERITAHUAN: Periksa secara berkala kantong debu jika penuh. Penggunaan kantong saringan yang penuh secara terus menerus dapat menyebabkan berkurangnya daya isap mesin.

PEMBERITAHUAN: Jangan gunakan kantong saringan bekas. Kantong saringan dirancang untuk sekali pakai. Jika Anda ingin menggunakan kantong berulang-ulang, gunakan kantong debu (aksesori opsional).

PERAWATAN

⚠PERHATIAN: Selalu pastikan bahwa mesin dimatikan dan kartrid baterai dilepas sebelum melakukan pemeriksaan atau perawatan.

PEMBERITAHUAN: Jangan sekali-kali menggunakan bensin, tiner, alkohol, atau bahan sejenisnya. Penggunaan bahan demikian dapat menyebabkan perubahan warna, perubahan bentuk atau timbulnya retakan.

Membersihkan saringan HEPA

⚠PERHATIAN: Jangan gunakan penyedot debu tanpa saringan atau tetap menggunakan saringan yang kotor atau rusak. Debu atau benda-benda kecil yang terisap akan dibuang dari penyedot debu dan dapat menyebabkan gangguan pernapasan pada pengguna.

PEMBERITAHUAN: Untuk menjaga daya isap serta pembuangan debu tetap optimum, bersihkan saringan secara teratur. Jika daya isap yang cukup tidak didapatkan bahkan setelah dibersihkan, maka ganti saringan dengan yang baru.

PEMBERITAHUAN: Untuk menghindari kerusakan saringan, jangan gunakan alat berikut dan item serupa untuk membersihkan:

- Pembersih udara
- Cincin penutup tekanan tinggi
- Alat dari bahan keras seperti sikat logam

1. Buka penutup lalu keluarkan kantong saringan. Lepas kait pada saringan lalu lepaskan dari badan mesin penyedot debu.

► **Gbr.30**

2. Hentakkan debu dari saringan. Saringan dapat dicuci menggunakan air. Bilas debu dan benda-benda kecil pada saringan tiap 1 atau 2 bulan. Setelah itu, keringkan saringan di dalam tempat teduh dan memiliki ventilasi baik untuk menghindari bau busuk atau kerusakan.

3. Untuk memasang saringan, masukkan sisi samping tanpa penutup ke dalam penahan lalu tekan saringan hingga penutup terkunci oleh bingkai.

► **Gbr.31:** 1. Penahan 2. Saringan HEPA 3. Bingkai 4. Penutup

Membersihkan kantong debu

Bersihkan kantong debu secara teratur dengan menggunakan sabun dan air. Balik bagian dalam kantong debu lalu lepas debu yang menempel. Cuci dengan tangan secara perlahan dan bilas dengan air. Keringkan sebelum dipasang kembali pada mesin penyedot debu.

► **Gbr.32**

PEMBERITAHUAN: Kantong debu yang masih basah menurunkan kinerja mesin juga umur mesin.

Untuk menjaga KEAMANAN dan KEANDALAN mesin, perbaikan, perawatan atau penyetulan lainnya harus dilakukan oleh Pusat Layanan Resmi atau Pabrik Makita; selalu gunakan suku cadang pengganti buatan Makita.

AKSESORI PILIHAN

⚠PERHATIAN: Dianjurkan untuk menggunakan aksesori atau perangkat tambahan ini dengan mesin Makita Anda yang ditentukan dalam petunjuk ini. Penggunaan aksesori atau perangkat tambahan lain bisa menyebabkan risiko cedera pada manusia. Hanya gunakan aksesori atau perangkat tambahan sesuai dengan peruntukannya.

Jika Anda memerlukan bantuan lebih rinci berkenaan dengan aksesori ini, tanyakan pada Pusat Layanan Makita terdekat.

- Selang (untuk tipe pengisap debu)
- Selang (untuk tipe pengumpul debu)
- Gagang tambahan
- Mulut pipa serbaguna
- Mulut pipa T
- Mulut pipa untuk karpet
- Nosel sudut
- Rakitan nosel
- Sikat rak
- Sikat bundar
- Pipa lurus
- Pipa lengkung
- Kantong saringan
- Kantong debu
- Manset depan
- Saringan HEPA
- Baterai dan pengisi daya asli buatan Makita

CATATAN: Beberapa item dalam daftar tersebut mungkin sudah termasuk dalam paket mesin sebagai aksesori standar. Hal tersebut dapat berbeda dari satu negara ke negara lainnya.

CẢNH BÁO

- Máy này không dành cho những người suy giảm thể chất, giác quan hoặc khả năng trí óc, hoặc thiếu kinh nghiệm và kiến thức sử dụng bao gồm cả trẻ em.
- Trẻ em cần được giám sát để đảm bảo rằng chúng sẽ không nghịch máy hút bụi.
- Xem chương “THÔNG SỐ KỸ THUẬT” để biết loại tham chiếu dành cho pin.
- Xem phần “Lắp hoặc tháo hộp pin” để biết cách tháo hoặc lắp pin.
- Khi vứt bỏ hộp pin, hãy tháo chúng khỏi dụng cụ và thải bỏ ở nơi an toàn. Phải tuân thủ theo các quy định của địa phương liên quan đến việc thải bỏ pin.
- Nếu dụng cụ không được sử dụng trong một thời gian dài, cần phải tháo pin ra khỏi dụng cụ.
- Không để hộp pin ở tình trạng đoản mạch.
- Xem chương “BẢO DƯỠNG” để biết các chi tiết thích hợp về các biện pháp phòng ngừa trong quá trình bảo dưỡng của người dùng.

THÔNG SỐ KỸ THUẬT

Kiểu máy:		DVC260
Dung lượng	Túi lọc	2,0 L
	Túi chứa bụi	1,5 L
Lượng không khí tối đa	Với ống dẫn ø28 mm	1,5 m ³ /min
	Với ống dẫn ø38 mm	1,8 m ³ /min
Kích thước (Dài x Rộng x Cao) (trừ dây nịt vai)		230 mm x 152 mm x 373 mm
Điện áp định mức		36 V một chiều
Khối lượng tịnh (Loại máy hút bụi)		3,8 - 4,3 kg

- Do chương trình nghiên cứu và phát triển liên tục của chúng tôi nên các thông số kỹ thuật trong đây có thể thay đổi mà không cần thông báo trước.
- Các thông số kỹ thuật và hộp pin có thể thay đổi tùy theo từng quốc gia.
- Khối lượng không bao gồm các phụ kiện, ngoại trừ (các) hộp pin. Khối lượng kết hợp nhẹ nhất, nặng nhất của thiết bị và (các) hộp pin được thể hiện như trong bảng.

Hộp pin và sạc pin có thể áp dụng

Hộp pin	BL1815N / BL1820B / BL1830B / BL1840B / BL1850B / BL1860B
Bộ sạc	DC18RC / DC18RD / DC18RE / DC18SD / DC18SE / DC18SF / DC18SH

- Một số hộp pin và sạc pin được nêu trong danh sách ở trên có thể không khả dụng tùy thuộc vào khu vực cư trú của bạn.

⚠ CẢNH BÁO: Chỉ sử dụng hộp pin và sạc pin được nêu trong danh sách ở trên. Việc sử dụng bất cứ hộp pin và sạc pin nào khác có thể gây ra thương tích và/hoặc hỏa hoạn.

Ký hiệu

Phần dưới đây cho biết các ký hiệu có thể được dùng cho thiết bị. Đảm bảo rằng bạn hiểu rõ ý nghĩa của các ký hiệu này trước khi sử dụng.



Đọc tài liệu hướng dẫn.



Hãy cẩn thận và đặc biệt chú ý.



NI-MH
Li-Ion

Chỉ dành cho các quốc gia EU
Do có các thành phần nguy hiểm bên trong thiết bị điện và điện tử, ắc quy và pin thải bỏ nên có thể có tác động không tốt đến môi trường và sức khỏe con người. Không vứt bỏ các thiết bị điện và điện tử hoặc pin với rác thải sinh hoạt!
Theo Chỉ thị của Châu Âu về thiết bị điện và điện tử thải bỏ và về pin và ắc quy và pin và ắc quy thải bỏ, cũng như sự thích ứng của chúng với luật pháp quốc gia, các thiết bị điện, pin và ắc quy thải phải được cất giữ riêng biệt và chuyển đến một điểm thu gom rác thải đô thị riêng, hoạt động theo các quy định về bảo vệ môi trường. Điều này được biểu thị bằng biểu tượng thùng rác có bánh xe gạch chéo được đặt trên thiết bị.

Mục đích sử dụng

Dụng cụ này được dùng để gom bụi khô. Dụng cụ này thích hợp cho sử dụng thương mại, ví dụ như trong khách sạn, trường học, bệnh viện, nhà máy, cửa hàng, văn phòng và các ngành kinh doanh cho thuê.

CẢNH BÁO AN TOÀN

Cảnh báo an toàn cho Máy hút bụi chạy pin

⚠ CẢNH BÁO: LƯU Ý ĐỌC KỸ tất cả các cảnh báo an toàn và các hướng dẫn **TRƯỚC KHI SỬ DỤNG**. Việc không tuân theo các cảnh báo và hướng dẫn có thể dẫn đến điện giật, hỏa hoạn và/hoặc thương tích nghiêm trọng.

1. Trước khi sử dụng, đảm bảo rằng máy hút bụi này phải do người đã được hướng dẫn đầy đủ về cách dùng máy hút bụi này sử dụng.
2. Không vận hành máy hút bụi khi không có bộ lọc. Thay thế bộ lọc bị hỏng ngay lập tức.
3. Không cố hút các vật liệu dễ cháy, pháo hoa, thuốc lá đang cháy, tro nóng, mặt kim loại nóng, các vật liệu sắc nhọn như dao cạo, kim, thủy tinh vỡ hoặc những vật tương tự.
4. **KHÔNG BAO GIỜ SỬ DỤNG MÁY HÚT BỤI TRONG KHU VỰC GẦN XĂNG DẦU, KHÍ GAS, SƠN, KEO DÁN HOẶC CÁC CHẤT CHÁY NÓ MẠNH.** Công tắc phát ra tia lửa khi BẬT và TẮT. Và vành góp điện động cơ cũng bị tương tự trong quá trình vận hành. Có thể gây ra cháy nổ nguy hiểm.
5. Máy hút bụi này không thích hợp để hút bụi nguy hiểm.
6. Không bao giờ hút các vật liệu độc hại, gây ung thư, dễ bắt lửa hoặc các vật liệu nguy hiểm khác như amiăng, thạch tín, bari, berili, chì, thuốc trừ sâu, hoặc các vật liệu nguy hại cho sức khỏe khác.
7. Không sử dụng máy hút bụi ngoài trời khi đang mưa.
8. Máy này không được sử dụng ngoài trời với nhiệt độ thấp đối với nước Phần Lan.
9. Không sử dụng gần với nguồn nhiệt (bếp, v.v...).
10. Không được chặn các lỗ thông hơi làm mát. Các lỗ thông hơi này cho phép làm mát động cơ. Cẩn thận tránh làm tắc nghẽn nếu không động cơ sẽ cháy hồng do thiếu thông gió.
11. Luôn giữ thăng bằng tốt và có chỗ để chân phù hợp.
12. Không gấp, kéo hoặc dẫm lên ống hút.
13. Dừng máy hút bụi ngay lập tức nếu bạn nhận thấy hiệu suất hoạt động của máy kém hoặc bất cứ điều gì bất thường trong khi vận hành.
14. **NGÁT KẾT NỐI PIN.** Khi không sử dụng, trước khi bảo trì, và khi thay đổi các phụ kiện.
15. Làm sạch và bảo trì máy hút bụi ngay sau mỗi lần sử dụng để giữ máy trong điều kiện vận hành tốt nhất.
16. **BẢO DƯỠNG MÁY HÚT BỤI CẨN THẬN.** Giữ máy hút bụi sạch sẽ để máy hoạt động tốt và an toàn hơn. Tuân theo các hướng dẫn dành cho việc thay phụ tùng. Giữ tay cầm khô, sạch, không dính dầu và mỡ.
17. **KIỂM TRA CÁC BỘ PHẬN BỊ HƯ HỎNG.** Trước khi sử dụng tiếp máy hút bụi, cần phải kiểm tra kỹ lưỡng bộ phận bảo vệ hoặc bộ phận khác bị hư hỏng để xác định rằng máy sẽ vận hành bình thường và thực hiện đúng chức năng như được thiết kế. Kiểm tra cân chỉnh các bộ phận chuyển động, bó kẹp của các bộ phận chuyển động, chỗ nứt vỡ các bộ phận, chỗ gán và bất cứ tình trạng nào khác có thể ảnh hưởng đến việc vận hành. Bộ phận bảo vệ hoặc bộ phận nào khác bị hư hỏng cần phải được sửa chữa đúng cách hoặc thay thế bởi trung tâm bảo trì được ủy quyền trừ khi có chỉ dẫn khác trong hướng dẫn sử dụng này. Hãy để trung tâm dịch vụ được ủy quyền thay thế các công tắc bị hỏng. Không sử dụng máy hút bụi nếu công tắc không bật và tắt được máy.
18. **CÁC BỘ PHẬN THAY THẾ.** Khi bảo trì, chỉ sử dụng các bộ phận thay thế giống nhau.
19. **CẮT MÁY HÚT BỤI KHI KHÔNG SỬ DỤNG.** Khi không sử dụng, phải cắt máy hút bụi trong nhà.
20. Cẩn thận cẩn thận máy hút bụi của bạn. Xử lý mạnh tay có thể làm nứt vỡ ngay cả đối với máy hút bụi được thiết kế cứng cáp nhất.
21. Không cố làm sạch bên ngoài hoặc bên trong bằng ét xăng, dung môi hoặc hóa chất làm sạch. Điều này có thể gây nứt và làm mất màu.

22. Không sử dụng máy hút bụi trong một không gian khép kín nơi có khí dễ cháy, nổ hoặc độc hại do sơn gốc dầu, dung môi pha sơn, xăng, một số chất chống sâu mọt, v.v... gây ra, hoặc ở những khu vực có bụi dễ cháy.
23. Không vận hành máy hút bụi khi đang chịu ảnh hưởng của ma túy hoặc rượu.
24. Theo nguyên tắc cơ bản về an toàn, phải sử dụng kính bảo hộ hoặc kính an toàn có tấm chắn.
25. Sử dụng mặt nạ chống bụi trong điều kiện làm việc nhiều bụi.
26. Máy này không dành cho những người suy giảm thể chất, giác quan hoặc khả năng trí óc, hoặc thiếu kinh nghiệm và kiến thức sử dụng bao gồm cả trẻ em.
27. Trẻ em cần được giám sát để đảm bảo rằng chúng sẽ không nghịch máy hút bụi.
28. Không bao giờ xử lý (các) pin và máy hút bụi bằng tay ướt.
29. Hết sức cẩn trọng khi làm sạch trên các bậc thang.
30. Không sử dụng máy hút bụi làm ghế ngồi hay ghế băng làm việc. Máy có thể đổ xuống và dẫn đến chấn thương cá nhân.

Sử dụng và bảo quản dụng cụ dùng pin

1. Chỉ sạc pin lại với bộ sạc do nhà sản xuất quy định. Bộ sạc phù hợp với một loại pin này có thể gây ra nguy cơ hỏa hoạn khi được dùng cho một bộ pin khác.
2. Chỉ sử dụng các dụng cụ máy với các bộ pin được quy định cụ thể. Việc sử dụng bất cứ bộ pin nào khác có thể gây ra thương tích và hỏa hoạn.
3. Khi không sử dụng bộ pin, hãy giữ tránh xa các đồ vật khác bằng kim loại, chẳng hạn như kẹp giấy, tiền xu, chìa khóa, đinh, ốc vít hoặc các vật nhỏ bằng kim loại mà có thể làm nối tất các đầu cực pin. Các đầu cực pin bị đoản mạch có thể gây cháy hoặc hỏa hoạn.
4. Trong điều kiện sử dụng quá mức, pin có thể bị chảy nước; hãy tránh tiếp xúc. Nếu vô tình tiếp xúc với pin bị chảy nước, hãy rửa sạch bằng nước. Nếu dung dịch từ pin tiếp xúc với mắt, cần đi khám bác sĩ thêm. Dung dịch chảy ra từ pin có thể gây rát da hoặc bỏng.
5. Không sử dụng bộ pin hoặc dụng cụ bị hư hỏng hoặc đã bị sửa đổi. Pin đã bị hư hỏng hoặc đã bị sửa đổi có thể hành động theo cách không thể đoán trước dẫn đến cháy, nổ hoặc nguy cơ chấn thương.
6. Không để bộ pin hoặc dụng cụ tiếp xúc với lửa hoặc nhiệt độ quá cao. Tiếp xúc với lửa hoặc nhiệt độ trên 130 °C có thể gây ra cháy nổ.
7. Làm theo tất cả các hướng dẫn sạc pin và không được sạc bộ pin hoặc dụng cụ vượt giới hạn nhiệt độ quy định trong hướng dẫn. Sạc pin không đúng hoặc ở nhiệt độ vượt giới hạn nhiệt độ có thể gây hư hỏng cho pin và làm tăng nguy cơ cháy.

8. Không sử dụng nguồn cấp điện có dây như bộ chuyển đổi pin hoặc bộ cấp nguồn di động đeo vai với dụng cụ này. Cấp của nguồn cấp điện này có thể cản trở vận hành và dẫn đến thương tích cá nhân.

Bảo dưỡng

1. Để nhân viên sửa chữa đủ trình độ bảo dưỡng dụng cụ máy của bạn và chỉ sử dụng các bộ phận thay thế đồng nhất. Việc này sẽ đảm bảo duy trì được độ an toàn của dụng cụ máy.
2. Tuân theo hướng dẫn dành cho việc bôi trơn và thay phụ tùng.
3. Giữ tay cầm khô, sạch, không dính dầu và mỡ.

Hướng dẫn quan trọng về an toàn dành cho hộp pin

1. Trước khi sử dụng hộp pin, hãy đọc kỹ tất cả các hướng dẫn và dấu hiệu cảnh báo trên (1) bộ sạc pin, (2) pin và (3) sản phẩm sử dụng pin.
2. Không tháo rời hoặc làm thay đổi hộp pin. Việc này có thể dẫn đến hỏa hoạn, quá nhiệt hoặc nổ.
3. Nếu thời gian vận hành ngắn hơn quá mức, hãy ngừng vận hành ngay lập tức. Điều này có thể dẫn đến rùi ro quá nhiệt, có thể gây bỏng và thậm chí là nổ.
4. Nếu chất điện phân rơi vào mắt, hãy rửa sạch bằng nước sạch và đến cơ sở y tế ngay lập tức. Chất này có thể khiến bạn giảm thị lực.
5. Không để hộp pin ở tình trạng đoản mạch:
 - (1) Không chạm vào cực pin bằng vật liệu dẫn điện.
 - (2) Tránh cất giữ hộp pin trong hộp có các vật kim loại khác như đinh, tiền xu, v.v...
 - (3) Không được để hộp pin tiếp xúc với nước hoặc mưa.

Đoán mạch pin có thể gây ra dòng điện lớn, quá nhiệt, có thể gây bỏng và thậm chí là hỏng hóc.

6. Không cất giữ cũng như sử dụng dụng cụ và hộp pin ở nơi nhiệt độ có thể lên tới hoặc vượt quá 50 °C (122 °F).
7. Không đốt hộp pin ngay cả khi hộp pin đã bị hư hại nặng hoặc hư hỏng hoàn toàn. Hộp pin có thể nổ khi tiếp xúc với lửa.
8. Không đóng đinh, cắt, nghiền nát, ném, làm rơi hộp pin hoặc va vật cứng vào hộp pin. Làm như thế có thể dẫn đến hỏa hoạn, quá nhiệt hoặc nổ.
9. Không sử dụng pin đã hỏng.
10. Pin nên lithium-ion là đối tượng có yêu cầu bắt buộc theo Luật Hàng hoá Nguy hiểm. Đối với vận tải thương mại, ví dụ như vận tải do bên thứ ba, đại lý giao nhận, thì yêu cầu đặc biệt về đóng gói và nhãn ghi phải được giám sát. Để chuẩn bị cho mặt hàng cần vận chuyển, cần phải tham khảo ý kiến chuyên gia về vật liệu nguy hiểm. Nếu được, vui lòng tuân thủ các quy định quốc gia chi tiết hơn. Buộc hoặc niêm phong các tiếp điểm mở và đóng gói pin theo cách đó để nó không thể di chuyển trong bao bì.

11. Khi rút bỏ hộp pin, hãy tháo chúng khỏi dụng cụ và thả bỏ ở nơi an toàn. Phải tuân thủ theo các quy định của địa phương liên quan đến việc thải bỏ pin.
12. Chỉ sử dụng pin cho các sản phẩm Makita chỉ định. Lắp pin vào sản phẩm không thích hợp có thể gây ra hỏa hoạn, quá nhiệt, nổ, hoặc rò chất điện phân.
13. Nếu dụng cụ không được sử dụng trong một thời gian dài, cần phải tháo pin ra khỏi dụng cụ.
14. Trong và sau khi sử dụng, hộp pin có thể bị nóng, có thể gây bỏng hoặc bỏng ở nhiệt độ thấp. Chú ý xử lý hộp pin nóng.
15. Không chạm vào điện cực của dụng cụ ngay sau khi sử dụng vì điện cực đủ nóng để gây bỏng.
16. Không để vụn bào, bụi hoặc đất bám vào các điện cực, lỗ và rãnh của hộp pin. Việc này có thể dẫn đến hiệu suất kém hoặc hỏng hóc dụng cụ hay hộp pin.
17. Trừ khi dụng cụ hỗ trợ sử dụng gần đường dây điện cao thế, không sử dụng hộp pin gần đường dây điện cao thế. Việc này có thể dẫn đến trực tiếp hoặc hỏng hóc dụng cụ hay hộp pin.
18. Giữ pin tránh xa trẻ em.

LƯU GIỮ CÁC HƯỚNG DẪN NÀY.

⚠ THẬN TRỌNG: Chỉ sử dụng pin Makita chính hãng. Việc sử dụng pin không chính hãng Makita, hoặc pin đã được sửa đổi, có thể dẫn đến nổ pin gây ra cháy, thương tích và thiệt hại cá nhân. Nó cũng sẽ làm mất hiệu lực bảo hành của Makita dành cho dụng cụ của Makita và bộ sạc.

Mẹo duy trì tuổi thọ tối đa cho pin

1. Sạc hộp pin trước khi pin bị xả điện hoàn toàn. Luôn dừng việc vận hành dụng cụ và sạc pin khi bạn nhận thấy công suất dụng cụ bị giảm.
2. Không được phép sạc lại một hộp pin đã được sạc đầy. Sạc quá mức sẽ làm giảm tuổi thọ của pin.
3. Sạc pin ở nhiệt độ phòng 10°C - 40°C. Để cho hộp pin nóng nguội lại dần trước khi sạc pin.
4. Khi không sử dụng hộp pin, hãy tháo hộp pin ra khỏi dụng cụ hoặc bộ sạc.
5. Sạc pin sáu tháng một lần nếu bạn không sử dụng dụng cụ trong một thời gian dài (hơn sáu tháng).

MÔ TẢ CHỨC NĂNG

⚠ THẬN TRỌNG: Luôn đảm bảo rằng đã tắt dụng cụ và tháo hộp pin ra trước khi thực hiện việc điều chỉnh hoặc kiểm tra chức năng trên dụng cụ.

Lắp hoặc tháo hộp pin

⚠ THẬN TRỌNG: Luôn tắt dụng cụ trước khi lắp hoặc tháo hộp pin.

⚠ THẬN TRỌNG: Giữ dụng cụ và hộp pin thật chắc khi lắp hoặc tháo hộp pin. Không giữ dụng cụ và hộp pin thật chắc có thể làm trượt chúng khỏi tay và làm hư hỏng dụng cụ và hộp pin hoặc gây thương tích cá nhân.

► **Hình1:** 1. Chỉ báo màu đỏ 2. Nút 3. Hộp pin

Để tháo hộp pin, vừa trượt pin ra khỏi dụng cụ vừa đẩy trượt nút ở phía trước hộp pin.

Để lắp hộp pin, đặt thẳng hàng phần chốt nhô ra của hộp pin vào phần rãnh nằm trên vỏ và trượt hộp pin vào vị trí. Đưa hộp pin vào hết mức cho đến khi chốt khóa vào đúng vị trí với một tiếng cách nhẹ. Nếu bạn có thể nhìn thấy chỉ báo màu đỏ như thể hiện trong hình, điều đó có nghĩa vẫn chưa được khóa hoàn toàn.

⚠ THẬN TRỌNG: Luôn lắp hộp pin khớp hoàn toàn vào vị trí cho đến khi không thể nhìn thấy chỉ báo màu đỏ. Nếu không, hộp pin có thể vô tình rơi ra khỏi dụng cụ, gây thương tích cho bạn hoặc người khác xung quanh.

⚠ THẬN TRỌNG: Không được dùng sức lắp hộp pin. Nếu hộp pin không nhẹ nhàng trượt vào vị trí, có nghĩa là pin vẫn chưa được lắp đúng.

Hệ thống bảo vệ dụng cụ / pin

Dụng cụ này được trang bị hệ thống bảo vệ dụng cụ / pin. Hệ thống này sẽ tự động ngắt nguồn điện đến động cơ để kéo dài tuổi thọ dụng cụ và pin. Dụng cụ sẽ tự động dừng vận hành khi dụng cụ hoặc pin ở một trong những trường hợp sau đây. Trong một số trường hợp, các đèn chỉ báo này sẽ sáng lên.

Bảo vệ quá tải

Khi vận hành dụng cụ trong điều kiện làm máy tiêu tốn công suất cao bất thường, dụng cụ sẽ tự động dừng lại mà không có bất cứ dấu hiệu nào. Trong trường hợp này, hãy tắt dụng cụ và ngừng ứng dụng làm cho dụng cụ trở nên quá tải. Sau đó bật dụng cụ lên để khởi động lại.

Bảo vệ quá nhiệt

Khi bị quá nhiệt, dụng cụ sẽ tự động dừng. Hãy để dụng cụ nguội dần trước khi bật dụng cụ một lần nữa.

Bảo vệ xả điện quá mức

Khi dung lượng pin yếu, thì dụng cụ sẽ tự động dừng. Nếu sản phẩm không vận hành ngay cả khi vận hành công tắc, hãy tháo pin ra khỏi dụng cụ và sạc pin.

Chỉ báo dung lượng pin còn lại

Chỉ dành cho hộp pin có đèn chỉ báo

► **Hình2:** 1. Các đèn chỉ báo 2. Nút Check (kiểm tra)

Ấn nút check (kiểm tra) trên hộp pin để chỉ báo dung lượng pin còn lại. Các đèn chỉ báo bật sáng lên trong vài giây.

Các đèn chỉ báo			Dung lượng còn lại
Bật sáng	Tắt	Nhấp nháy	
			75% đến 100%
			50% đến 75%
			25% đến 50%
			0% đến 25%
			Sạc pin.
			Pin có thể đã bị hỏng.

LƯU Ý: Tùy thuộc vào các điều kiện sử dụng và nhiệt độ xung quanh, việc chỉ báo có thể khác biệt một chút so với dung lượng thực sự.

LƯU Ý: Đèn chỉ báo (phía xa bên trái) đầu tiên sẽ nhấp nháy khi hệ thống bảo vệ pin hoạt động.

Vị trí hộp công tắc

Hộp công tắc có thể được treo lên cả hai mặt của dây đeo dưới. Thu kéo dây điện để hộp công tắc đến vị trí bạn mong muốn. Để ngăn chặn dây điện bị hư hỏng, hãy luôn dây điện qua móc treo như minh họa.

► **Hình3:** 1. Móc treo 2. Dây điện

Điều chỉnh dây đeo

Thắt chặt dây đeo vai, có thể điều chỉnh dây đeo trên và dưới. Trước tiên đưa cánh tay của bạn đi qua dây đeo vai, sau đó kéo rút dây đeo trên và dưới. Để thắt chặt, kéo đoạn cuối của dải dây như minh họa. Để nới lỏng, kéo phần cuối của thanh kẹp.

Dây đeo vai

► **Hình4:** 1. Dải dây 2. Thanh kẹp

Dây đeo trên

► **Hình5:** 1. Dải dây 2. Thanh kẹp

Dây đeo dưới

► **Hình6:** 1. Dải dây 2. Thanh kẹp

Móc treo

Luôn kẹp móc treo khi cầm thân máy hút bụi.

► **Hình7:** 1. Móc treo

Ống nối dài

Chỉ dành cho loại máy hút bụi

Có thể điều chỉnh chiều dài của ống nối. Nới lỏng vòng trên ống nối và điều chỉnh chiều dài ống nối. Siết chặt vòng tại chiều dài bạn mong muốn.

► **Hình8:** 1. Vòng

Hoạt động công tắc

Để bắt đầu hút bụi, nhấn nút một lần. Máy hút bụi sẽ bắt đầu với sức hút cao hơn (2). Nếu bạn muốn giảm sức hút, hãy nhấn nút một lần nữa. Máy hút bụi sẽ hoạt động với sức hút bình thường (1). Nếu bạn nhấn nút này trong khi máy hút bụi đang chạy, thì sức hút sẽ chuyển đổi giữa sức hút cao và sức hút bình thường. Để tắt máy hút bụi, nhấn nút .

► **Hình9**

Đèn LED

Đèn LED được lắp trên đầu hộp công tắc để dễ dàng vận hành ở nơi tối. Nhấn nút để bật đèn. Để tắt, hãy nhấn nút một lần nữa.

► **Hình10**

⚠ THẬN TRỌNG: Đừng nhìn thẳng trực tiếp vào đèn hoặc nguồn sáng. Không bao giờ chĩa đèn vào mắt người khác.

LƯU Ý: Đèn LED sẽ tự động tắt khi máy hút bụi không vận hành trong khoảng thời gian hơn 10 phút.

LƯU Ý: Máy hút bụi sẽ tự động tắt và đèn LED nhấp nháy khi máy hút bụi bị quá nhiệt do giảm luồng không khí vào máy do ống dẫn, đường ống, bộ lọc bị kẹt hoặc các lý do khác gây ra.

Dải ống dẫn

Dải ống dẫn có thể được dùng để giữ ống hút và vòi rời. Để cố định ống hút vào thân máy hút bụi, hãy luôn dải ống dẫn qua khe trên thân máy. Bạn có thể gắn đai ống hút ở cả hai bên.

► **Hình11:** 1. Dải ống dẫn 2. Khe 3. Ống hút

Để giữ vòi hút tự do trên dây đeo dưới, luôn dải ống dẫn qua lỗ trên dây đeo dưới.

► **Hình12:** 1. Dải ống dẫn 2. Vòi hút

Móc treo ống

Chỉ dành cho loại máy hút bụi

Khi bạn tạm ngừng hoạt động, có thể sử dụng móc treo trên ống dẫn để treo thanh móc trên dây đai dưới.

► **Hình13**

LẮP RÁP

⚠ THẬN TRỌNG: Luôn đảm bảo rằng đã tắt dụng cụ và tháo hộp pin ra trước khi thực hiện bất cứ thao tác nào trên dụng cụ.

Lắp ống dẫn

Chèn túi hơi của ống dẫn vào thân máy hút bụi và xoay nó theo chiều kim đồng hồ.

► **Hình14:** 1. Vòng bít ống dẫn 2. Thân máy hút bụi

Lắp thanh móc và vòi phun

Chỉ dành cho loại máy hút bụi

Nối vòi phun vào thanh móc mở rộng. Sau đó, vác thân máy hút bụi rồi nối ống với thanh móc mở rộng.

Nối ống nối nối dài và vòi hút

► **Hình15:** 1. Ống nối nối dài 2. Vòi hút 3. Vòi hút hình chữ T

Nối ống dẫn và ống nối nối dài

► **Hình16:** 1. Ống dẫn 2. Ống nối nối dài 3. Vòi rời

LƯU Ý: Có thể gắn trực tiếp vòi rời vào ống.

Kết nối dụng cụ

Chỉ dành cho loại thu gom bụi

Nối ống hơi trước trên ống nối với đầu ra bụi của công cụ.

► **Hình17:** 1. Ống hơi trước 2. Đầu ra bụi

Luôn sử dụng một ống hơi trước phù hợp. Ống hơi trước có thể được tách ra bằng cách xoay ngược chiều kim đồng hồ khi đang cầm ống. Khi nối, đảm bảo rằng đã siết chặt ống hơi trước vào ống dẫn.

► **Hình18:** 1. Ống dẫn 2. Ống hơi trước

Khi sử dụng ống hơi trước 24, chèn nó vào ống hơi trước 22 đã được nối với ống dẫn.

► **Hình19:** 1. Ống hơi trước 22 2. Ống hơi trước 24

Gắn bộ phận ống cong

Đối với loại hút bụi, sử dụng bộ phận ống cong tùy chọn để làm sạch máy hút bụi. Để gắn bộ phận ống cong, tháo vòng bít trước từ ống dẫn và vặn chặt trụ ngoài của ống cong vào ống dẫn.

► **Hình20:** 1. Ống dẫn 2. Bộ phận ống cong 3. Trụ ngoài

Lắp túi lọc

⚠ THẬN TRỌNG: Không sử dụng túi lọc đã bị hư hỏng. Luôn luôn sử dụng máy hút bụi có túi lọc được lắp đúng cách. Nếu không bụi và các hạt bụi đã được hút có thể bay ra khỏi máy hút bụi và chúng có thể gây ra bệnh đường hô hấp cho người vận hành.

CHÚ Ý: Khi túi lọc đã đầy bụi, hãy thay thế bằng cái mới. Tiếp tục sử dụng túi lọc đầy bụi sẽ làm giảm công suất hút.

1. Mở khóa chốt gài bằng cách nâng phía dưới đáy. Ấn vào vùng có rãnh để nâng cạnh chốt gài phía trước. Kéo chốt gài để mở nắp.

► **Hình21:** 1. Móc treo 2. Nắp

2. Lắp túi lọc vào khe hở ở phía trên của khoang như minh họa.

► **Hình22:** 1. Khe hở 2. Túi lọc/Túi chứa bụi

Khi sử dụng túi chứa bụi (phụ kiện tùy chọn), hãy lắp vành của túi chứa bụi vào khe.

► **Hình23:** 1. Khe 2. Vành

3. Căn chỉnh lỗ của túi lọc với vòng bít ống dẫn và đẩy phần tấm bìa về cuối. Đảm bảo rằng vòng cao su trên túi lọc đi qua vành trên vòng bít ống dẫn.

► **Hình24:** 1. Vòng nhựa trên túi lọc 2. Vành tựa trên vòng bít ống dẫn 3. Phần tấm bìa của túi lọc 4. Vòng bít ống dẫn

VẬN HÀNH

⚠ CẢNH BÁO: Người vận hành phải được hướng dẫn đầy đủ về cách sử dụng máy hút bụi này.

⚠ CẢNH BÁO: Máy hút bụi này là không thích hợp để hút bụi độc hại.

⚠ THẬN TRỌNG: Máy hút bụi này chỉ sử dụng hút khô.




⚠ THẬN TRỌNG: Máy hút bụi này chỉ sử dụng trong nhà.

⚠ THẬN TRỌNG: Luôn luôn lắp hộp pin vào hết mức cho đến khi nó khóa đúng vào vị trí. Nếu bạn vẫn còn nhìn thấy đèn chỉ báo màu đỏ ở mặt trên của nút, điều đó có nghĩa là chốt vẫn chưa được khóa hoàn toàn. Lắp chốt hoàn toàn vào vị trí cho đến khi không thể nhìn thấy đèn chỉ báo màu đỏ. Nếu không, hộp pin có thể vô tình rơi ra khỏi dụng cụ, gây thương tích cho bạn hoặc người khác xung quanh.

⚠ THẬN TRỌNG: Trong quá trình vận hành, hãy chú ý đến máy hút bụi trên lưng bạn. Bạn có thể mất cân bằng nếu thân máy hút bụi va vào tường hoặc ống dẫn bị móc vào chướng ngại vật.

1. Đặt máy hút bụi lên vai và siết dây đeo trên và dưới. Điều chỉnh độ chặt nếu cần.

► **Hình25**

2. Nhấn nút  để bắt đầu hút bụi. Nếu bạn muốn giảm sức hút, hãy nhấn nút  một lần nữa. Nhấn nút  để dừng lại.

► **Hình26**

Trong khi vận hành, hãy móc hộp công tắc vào dây đai dưới. Móc treo có thể nghiêng để chiếu sáng phía trước.

► **Hình27**

LƯU Ý: Máy hút bụi sẽ tự động tắt và đèn LED nhấp nháy khi máy hút bụi bị quá nhiệt do giảm luồng không khí vào máy do ống dẫn, đường ống, bộ lọc bị kẹt hoặc các lý do khác gây ra. Trong trường hợp này, hãy loại bỏ nguyên nhân gây ra vấn đề và làm mát máy hút bụi trước khi khởi động lại.

3. Thay thế túi lọc khi túi đã đầy bụi. Mở nắp và lấy túi lọc ra. Kéo băng ở phía khe hở để kẹp túi lọc hoặc xả toàn bộ túi lọc.

► **Hình28:** 1. Băng

Khi sử dụng túi chứa bụi (phụ kiện tùy chọn), hãy lấy túi chứa bụi ra và xả bụi bằng cách tháo chốt gài.

► **Hình29:** 1. Chốt gài

CHÚ Ý: Kiểm tra định kỳ túi lọc nếu nó đầy bụi. Tiếp tục sử dụng túi lọc đầy bụi sẽ làm giảm công suất hút.

CHÚ Ý: Không sử dụng túi lọc đã qua sử dụng. Túi lọc được thiết kế để sử dụng một lần. Nếu bạn muốn sử dụng túi nhiều lần, hãy sử dụng túi chứa bụi (phụ kiện tùy chọn).

BẢO TRÌ

⚠ THẬN TRỌNG: Hãy luôn chắc chắn rằng dụng cụ đã được tắt và hộp pin đã được tháo ra trước khi cố gắng thực hiện việc kiểm tra hay bảo dưỡng.

CHÚ Ý: Không được phép dùng xăng, ét xăng, dung môi, cồn hoặc hóa chất tương tự. Có thể xảy ra hiện tượng mất màu, biến dạng hoặc nứt vỡ.

Làm sạch bộ lọc khí HEPA

⚠ THẬN TRỌNG: Không sử dụng máy hút bụi không có bộ lọc, hoặc tiếp tục sử dụng bộ lọc bị bẩn hoặc bị hư hỏng. Bụi và các hạt bụi đã được hút có thể bay ra khỏi máy hút bụi và chúng có thể gây ra bệnh đường hô hấp cho người vận hành.

CHÚ Ý: Để giữ công suất hút và xả sạch tối ưu, hãy làm sạch bộ lọc định kỳ. Nếu không đạt được đủ công suất hút ngay cả sau khi làm sạch, hãy thay thế bộ lọc bằng cái mới.

CHÚ Ý: Để tránh bộ lọc bị hư hỏng, không sử dụng các dụng cụ sau đây và các vật tương tự để làm sạch:

- Máy hút bụi
- Máy xịt rửa cao áp
- Dụng cụ làm bằng vật liệu cứng như chổi kim loại

1. Mở nắp và lấy túi lọc ra. Nhả móc trên bộ lọc và tháo nó ra khỏi thân máy hút bụi.

► **Hình30**

2. Đập bụi ra khỏi bộ lọc. Có thể rửa bộ lọc bằng nước. Rửa sạch bụi và các hạt bụi trên bộ lọc mỗi 1 hoặc 2 tháng. Sau đó, phơi khô bộ lọc hoàn toàn ở nơi râm mát và thông thoáng để tránh mùi khó chịu hoặc hư hỏng.

3. Để lắp đặt bộ lọc, lắp phía bên không có nắp gập vào giá đỡ, sau đó ấn bộ lọc xuống cho đến khi nắp gập được giữ chặt bằng gờ.

► **Hình31:** 1. Giá đỡ 2. Bộ lọc khí HEPA 3. Gờ 4. Nắp gập

Vệ sinh túi chứa bụi

Thường xuyên vệ sinh túi chứa bụi bằng xà phòng và nước. Lộn túi chứa bụi từ trong ra ngoài và loại bỏ bụi bám dính. Rửa nhẹ nhàng bằng tay và rửa sạch bằng nước. Để khô hoàn toàn trước khi lắp vào máy hút bụi.

► Hình 32

CHÚ Ý: Túi chứa bụi ướt làm giảm hiệu suất hút bụi cũng như tuổi thọ của động cơ.

Để đảm bảo ĐỘ AN TOÀN và ĐỘ TIN CẬY của sản phẩm, việc sửa chữa hoặc bất cứ thao tác bảo trì, điều chỉnh nào đều phải được thực hiện bởi các Trung tâm Dịch vụ Nhà máy hoặc Trung tâm được Makita Ủy quyền và luôn sử dụng các phụ tùng thiết bị thay thế của Makita.

PHỤ KIỆN TỰY CHỌN

⚠ THẬN TRỌNG: Các phụ kiện hoặc phụ tùng gắn thêm này được khuyến cáo sử dụng với dụng cụ Makita của bạn theo như quy định trong hướng dẫn này. Việc sử dụng bất cứ phụ kiện hoặc phụ tùng gắn thêm nào khác đều có thể gây ra rủi ro thương tích cho người. Chỉ sử dụng phụ kiện hoặc phụ tùng gắn thêm cho mục đích đã quy định sẵn của chúng.

Nếu bạn cần bất kỳ sự hỗ trợ nào để biết thêm chi tiết về các phụ tùng này, hãy hỏi Trung tâm Dịch vụ của Makita tại địa phương của bạn.

- Ống nối (cho loại máy hút bụi)
- Ống nối (cho loại máy xử lý bụi)
- Ống nối nối dài
- Vòi hút
- Vòi hút hình chữ T
- Vòi hút dành cho thảm
- Vòi hút góc
- Bộ phận vòi xả
- Bàn chải dẹt
- Bàn chải tròn
- Ống thẳng
- Ống cong
- Túi lọc
- Túi chứa bụi
- Ống hơi trước
- Bộ lọc khí HEPA
- Pin và bộ sạc chính hãng của Makita

LƯU Ý: Một số mục trong danh sách có thể được bao gồm trong gói dụng cụ làm phụ kiện tiêu chuẩn. Các mục này ở mỗi quốc gia có thể khác nhau.

คำเตือน

- เครื่องนี้ไม่ได้ออกแบบมาเพื่อให้ใช้งานโดยบุคคล (รวมถึงเด็ก) ที่มีความบกพร่องทางร่างกาย ประสาทสัมผัส หรือจิตใจ หรือขาดประสบการณ์และความรู้
- เด็กควรอยู่ในความดูแลเพื่อให้มั่นใจว่าจะไม่มาเล่นที่ตุตฝุ่น
- โปรดอ้างอิงบท “ข้อมูลจำเพาะ” สำหรับอ้างอิงประเภทแบตเตอรี่
- โปรดอ้างอิงส่วน “การติดตั้งหรือการถอดตลับแบตเตอรี่” สำหรับวิธีถอดหรือติดตั้งแบตเตอรี่
- เมื่อกำจัดตลับแบตเตอรี่ ให้ถอดตลับแบตเตอรี่ออกจากเครื่องมือและกำจัดในสถานที่ที่ปลอดภัย ปฏิบัติตามข้อบังคับเกี่ยวกับการกำจัดแบตเตอรี่ที่บังคับใช้ในท้องถิ่น
- หากไม่ใช้เครื่องมือเป็นระยะเวลานาน จะต้องถอดแบตเตอรี่ออกจากเครื่องมือ
- อย่าลัดวงจรตลับแบตเตอรี่
- โปรดอ้างอิงบท “การบำรุงรักษา” สำหรับรายละเอียดข้อควรระวังในระหว่างการซ่อมบำรุง

ข้อมูลจำเพาะ

รุ่น:	DVC260	
ความจุ	ถังกรองฝุ่น	2.0 L
	ถังตักฝุ่น	1.5 L
ปริมาตรลมสูงสุด	พร้อมท่อ Ø28 mm	1.5 m ³ /min
	พร้อมท่อ Ø38 mm	1.8 m ³ /min
ขนาด (ยาว x กว้าง x สูง) (ไม่รวมสายสะพาย)	230 mm x 152 mm x 373 mm	
แรงดันไฟฟ้าสูงสุด	D.C. 36 V	
น้ำหนักสุทธิ (ประเภทเครื่องตุตฝุ่น)	3.8 - 4.3 kg	

- เนื่องจากการค้นคว้าวิจัยและพัฒนาอย่างต่อเนื่อง ข้อมูลจำเพาะในเอกสารฉบับนี้อาจเปลี่ยนแปลงได้โดยไม่ต้องแจ้งให้ทราบล่วงหน้า
- ข้อมูลจำเพาะและตลับแบตเตอรี่อาจแตกต่างกันไปในแต่ละประเทศ
- น้ำหนักไม่รวมอุปกรณ์เสริมยกเว้นตลับแบตเตอรี่ น้ำหนักของเครื่องใช้และตลับแบตเตอรี่รวมกันที่น้อยที่สุดและมากที่สุดแสดงอยู่ในตาราง

ดัลบีแบตเตอรี่และเครื่องชาร์จที่ใช้ได้

ดัลบีแบตเตอรี่	BL1815N / BL1820B / BL1830B / BL1840B / BL1850B / BL1860B
เครื่องชาร์จ	DC18RC / DC18RD / DC18RE / DC18SD / DC18SE / DC18SF / DC18SH

- ดัลบีแบตเตอรี่และเครื่องชาร์จบางรายการที่แสดงอยู่ด้านบนอาจไม่มีวางจำหน่ายขึ้นอยู่กับภูมิภาคที่คุณอาศัยอยู่

คำเตือน: ใช้ดัลบีแบตเตอรี่และเครื่องชาร์จที่ระบุไว้ข้างบนเท่านั้น การใช้ดัลบีแบตเตอรี่และเครื่องชาร์จประเภทอื่นอาจก่อให้เกิดความเสี่ยงที่จะได้รับบาดเจ็บและ/หรือเกิดไฟไหม้

สัญลักษณ์

ต่อไปนี้เป็นสัญลักษณ์ที่อาจใช้สำหรับอุปกรณ์ โปรดศึกษาความหมายของสัญลักษณ์ให้เข้าใจก่อนการใช้งาน



อ่านคู่มือการใช้งาน



ใช้ความระมัดระวังและความสนใจเป็นพิเศษ



Ni-MH
Li-ion

สำหรับประเทศในสหภาพยุโรปเท่านั้น เนื่องจากในอุปกรณ์มีส่วนประกอบอันตราย ชยะจำพวกอุปกรณ์ไฟฟ้าและอิเล็กทรอนิกส์ แบตเตอรี่ และหม้อแบตเตอรี่จึงอาจส่งผลกระทบต่อสิ่งแวดล้อมและสุขภาพของมนุษย์ในเชิงลบ อย่างไรก็ตามการใช้ไฟฟ้าและอิเล็กทรอนิกส์หรือแบตเตอรี่ร่วมกับวัสดุเหลือทิ้งในครัวเรือน! เพื่อให้เป็นไปตามกฎระเบียบของยุโรปว่าด้วยชยะจำพวกอุปกรณ์ไฟฟ้าและอิเล็กทรอนิกส์ และหม้อสะสมไฟฟ้าและแบตเตอรี่ รวมถึงการบังคับใช้ตามกฎหมายภายในประเทศ ควรมีการจัดเก็บชยะจำพวกอุปกรณ์ไฟฟ้า แบตเตอรี่ และหม้อสะสมไฟฟ้าแยกต่างหากและส่งไปยังจุดรับชยะต่างหากในเขตเทศบาลซึ่งมีการดำเนินการตามระเบียบว่าด้วยการดูแลสิ่งแวดล้อม โดยระบุด้วยสัญลักษณ์เส้นคาดขวางรูปถังชยะแบบมีล้อไว้บนอุปกรณ์

จุดประสงค์การใช้งาน

เครื่องมือนี้มีจุดประสงค์เพื่อเก็บฝุ่นแห้ง เครื่องมือนี้นเหมาะสำหรับการใช้งานในทางการค้า เช่น ในโรงแรม โรงเรียน โรงพยาบาล โรงงาน ร้านค้า สำนักงาน และธุรกิจให้เช่า

คำเตือนด้านความปลอดภัย

คำเตือนด้านความปลอดภัยของเครื่องดูดฝุ่นสะพายหลังไร้สาย

คำเตือน: ข้อควรจำ โปรดอ่านคำเตือนด้านความปลอดภัยและคำแนะนำทั้งหมดอย่างละเอียดก่อนใช้งาน การไม่ปฏิบัติตามคำแนะนำดังกล่าวอาจส่งผลกระทบต่อความปลอดภัย และ/หรือได้รับบาดเจ็บร้ายแรง

- ก่อนใช้งาน ตรวจสอบให้แน่ใจว่าเครื่องดูดฝุ่นนี้จะถูกใช้งานโดยผู้ที่ได้รับการฝึกใช้เครื่องดูดฝุ่นนี้มาอย่างเพียงพอ
- อย่าใช้งานเครื่องดูดฝุ่นโดยไม่สวมตัวกรองที่ชำรุดทันที
- อย่าพยายามดูดวัสดุไวไฟ ดอกไม้ไฟ บุหรี่ที่จุดไฟอยู่ ไข่ไก่อร้อน เศษโลหะร้อน วัสดุมีคม เช่น มีดโกน เข็ม แก้วแตก หรือสิ่งที่คล้ายกันนี้
- ห้ามใช้งานเครื่องดูดฝุ่นในบริเวณที่ใกล้กับแก๊สโซลิน แก๊ส สี ทาร์ หรือวัตถุอื่นที่มีความเสี่ยงจะระเบิดสูง เนื่องจากสวิตช์จะเกิดประกายไฟขณะเปิดและปิด เช่นเดียวกับการคอมมิวเตเตอร์ของมอเตอร์ในระหว่างการใช้งาน ซึ่งอาจส่งผลให้เกิดการระเบิดที่เป็นอันตรายได้
- เครื่องดูดฝุ่นนี้ไม่เหมาะสำหรับใช้เก็บฝุ่นที่เป็นอันตราย
- ห้ามดูดวัสดุเป็นพิษ วัสดุก่อมะเร็ง วัสดุติดไฟได้ หรือวัสดุอื่น ๆ ที่เป็นอันตราย เช่น แร่ใยหิน สารหนู แบเรียม เบริลเลียม ตะกั่ว ยาฆ่าแมลง หรือวัสดุอื่น ๆ ที่เป็นอันตรายต่อสุขภาพ
- ห้ามใช้งานเครื่องดูดฝุ่นนอกอาคารในขณะที่ฝนตก
- สำหรับฟินแลนด์ เครื่องนี้ไม่สามารถใช้งานนอกบ้านในอุณหภูมิที่ต่ำได้
- อย่าใช้งานใกล้กับแหล่งความร้อน (เตาไฟ ฯลฯ)

10. อย่าปิดกั้นช่องระบายความร้อน ช่องระบายเหล่านี้ ช่วยทำให้มอเตอร์เย็นลง จึงควรระมัดระวังเพื่อหลีกเลี่ยงการปิดกั้นช่องดังกล่าว ไม่เช่นนั้นมอเตอร์อาจไหม้เนื่องจากการระบายอากาศไม่เพียงพอ
11. รักษาทำเย็นและความสมดุลที่เหมาะสมตลอดเวลา
12. อย่าพับ ดึง หรือเหยียบบนท่อ
13. หยุดเครื่องดูดฝุ่นทันที หากคุณสังเกตเห็นสภาพการทำงานของเครื่องลดลงหรือมีความผิดปกติใดๆ ระหว่างการปฏิบัติงาน
14. ถอดแบตเตอรี่ เมื่อไม่ได้ใช้ ก่อนการซ่อมแซม และเมื่อเปลี่ยนอุปกรณ์ต่างๆ
15. ทำความสะอาดและบำรุงรักษาเครื่องดูดฝุ่นทันทีหลังการใช้แต่ละครั้งเพื่อรักษาสภาพการทำงานของเครื่องที่ดีที่สุด
16. ดูแลรักษาเครื่องดูดฝุ่นด้วยความใส่ใจ โดยดูแลให้เครื่องดูดฝุ่นสะอาดอยู่เสมอเพื่อประสิทธิภาพการทำงานที่เต็มและปลอดภัยยิ่งขึ้น ปฏิบัติตามคำแนะนำสำหรับการเปลี่ยนอุปกรณ์เสริม ดูแลเมื่อจับให้แห้งสะอาด และไม่มันมันและจารบีเปื้อน
17. ตรวจสอบส่วนที่เสียหาย ก่อนใช้งานเครื่องดูดฝุ่นในครั้งต่อไป ควรตรวจสอบที่ป้องกันหรือชิ้นส่วนอื่นๆ ที่ชำรุดอย่างละเอียดเพื่อให้แน่ใจว่าส่วนต่างๆ จะทำงานได้อย่างเหมาะสมและทำงานได้ตามฟังก์ชันที่ระบุไว้ ตรวจสอบการวางแนวของชิ้นส่วนเคลื่อนที่ การติดตั้งของชิ้นส่วนเคลื่อนที่ ความเสียหายของชิ้นส่วน การติดตั้ง และสภาพอื่นๆ ที่อาจส่งผลกระทบต่อการทำงานของเครื่อง ควรนำที่ป้องกันหรือชิ้นส่วนอื่นที่ชำรุดเข้ารับการซ่อมแซมหรือเปลี่ยนใหม่อย่างเหมาะสมโดยศูนย์บริการที่ได้รับการรับรองหรือที่อื่นๆ ที่ระบุไว้ในคู่มือการใช้งานนี้ ให้ศูนย์บริการที่ได้รับการรับรองเป็นผู้เปลี่ยนสวิตช์ที่ชำรุด อย่าใช้งานเครื่องดูดฝุ่นหากสวิตช์ไม่ปิดหรือเปิดอย่างเหมาะสม
18. อะไหล่ทดแทน เมื่อบำรุงรักษา ให้ใช้อะไหล่ทดแทนที่เหมือนกันกับของเดิมเท่านั้น
19. การเก็บรักษาเครื่องดูดฝุ่นที่ไม่ได้ใช้งาน เมื่อไม่ใช้งาน ควรเก็บเครื่องดูดฝุ่นไว้ในที่ร่ม
20. ใช้เครื่องดูดฝุ่นด้วยความระมัดระวัง การใช้เครื่องดูดฝุ่นอย่างรุนแรงอาจทำให้เครื่องดูดฝุ่นที่แม้จะผลิตขึ้นอย่างแข็งแกร่งที่สุดแล้วเกิดความเสียหายได้
21. อย่าพยายามทำความสะอาดพื้นผิวภายนอกและภายในของเครื่องด้วยเบนซิน ทินเนอร์ หรือสารเคมีสำหรับทำความสะอาด เนื่องจากอาจทำให้เกิดการรั่วหรือเปลี่ยนสีได้
22. อย่าใช้เครื่องดูดฝุ่นในพื้นที่ปิดที่มีไอระเหยที่ไวไฟ เกิดการระเบิดได้ หรือเป็นพิษซึ่งถูกปล่อยออกจากสีที่มีส่วนผสมหลักเป็นน้ำมัน ทินเนอร์ผสมสี แก๊สโซลีน หรือสารป้องกันแมลงบางชนิด ฯลฯ หรือในบริเวณที่มีฝุ่นที่ติดไฟได้
23. อย่าใช้งานเครื่องดูดฝุ่นขณะมีเมฆมาเสทติดหรือสุรา
24. ตามกฎพื้นฐานด้านความปลอดภัย ให้ใช้แนวตักก้น ลมหรือควันตากรักษาที่มีเกราะป้องกันด้านข้าง
25. และใช้หน้ากากป้องกันฝุ่นในสภาวะการทำงานที่เต็มไปด้วยฝุ่น
26. เครื่องนี้ไม่ได้ออกแบบมาเพื่อให้ใช้งานโดยบุคคล (รวมถึงเด็ก) ที่มีความบกพร่องทางร่างกาย ประสาทสัมผัส หรือจิตใจ หรือขาดประสบการณ์และความรู้
27. เด็กควรอยู่ในความดูแลเพื่อให้มั่นใจว่าจะไม่มาเล่นที่ดูดฝุ่น
28. ห้ามจับแบตเตอรี่และเครื่องดูดฝุ่นด้วยมือเปียก
29. ใช้ความระมัดระวังให้มากเมื่อทำความสะอาดบันได
30. อย่าใช้เครื่องดูดฝุ่นเป็นม้านั่งหรือม้านั่งทำงาน เนื่องจากเครื่องอาจล้มลงมาและทำให้ได้รับบาดเจ็บได้

การใช้งานและดูแลเครื่องมือที่ใช้แบตเตอรี่

1. ชาร์จไฟใหม่ด้วยเครื่องชาร์จที่ระบุโดยผู้ผลิตเท่านั้น เครื่องชาร์จที่เหมาะสมสำหรับชุดแบตเตอรี่ประเภทหนึ่ง อาจเสี่ยงที่จะเกิดไฟไหม้หากนำไปใช้กับชุดแบตเตอรี่อีกประเภทหนึ่ง
2. ใช้เครื่องมือไฟฟ้ากับชุดแบตเตอรี่ที่กำหนดมาโดยเฉพาะเท่านั้น การใช้ชุดแบตเตอรี่ประเภทอื่นอาจทำให้เสี่ยงที่จะได้รับบาดเจ็บและเกิดไฟไหม้
3. เมื่อไม่ใช้งานชุดแบตเตอรี่ ให้เก็บห่างจากวัตถุที่เป็นโลหะอื่นๆ เช่น คลิปหนีบกระดาษ เหรียญ กุญแจ กรรไกรตัดเล็บ สกรู หรือวัตถุที่เป็นโลหะขนาดเล็กอื่นๆ ที่สามารถเชื่อมต่อกับขั้วหนึ่งกับอีกขั้วหนึ่งได้ การลัดวงจรขั้วแบตเตอรี่อาจทำให้อ่อนจัดหรือเกิดไฟไหม้
4. ในกรณีที่ใช้งานไม่ถูกต้อง อาจมีของเหลวไหลออกจากแบตเตอรี่ ให้หลีกเลี่ยงการสัมผัส หากสัมผัสโดนของเหลวโดยไม่ได้ตั้งใจ ให้ล้างออกด้วยน้ำ หากของเหลวกระเด็นเข้าตา ให้รีบไปพบแพทย์ ของเหลวที่ไหลออกจากแบตเตอรี่อาจทำให้ผิวหนังระคายเคืองหรือไหม้
5. ห้ามใช้ชุดแบตเตอรี่หรือเครื่องมือที่ชำรุดหรือมีการแก้ไข แบตเตอรี่ที่เสียหายหรือมีการแก้ไขอาจทำให้เกิดสิ่งที่คาดไม่ถึงได้ เช่น ไฟไหม้ ระเบิด หรือเสี่ยงต่อการบาดเจ็บ

6. ห้ามให้ชุดแบตเตอรี่อยู่ใกล้ไฟ หรือบริเวณที่มีอุณหภูมิสูงเกิน หากโดนไฟ หรืออุณหภูมิสูงเกิน 130 °C อาจก่อให้เกิดการระเบิดได้
7. กรุณาปฏิบัติตามคำแนะนำสำหรับการชาร์จไฟ และห้ามชาร์จแบตเตอรี่หรือเครื่องมือในบริเวณที่มีอุณหภูมินอกเหนือไปจากที่ระบุในคำแนะนำ การชาร์จไฟที่ไม่เหมาะสม หรืออุณหภูมินอกเหนือไปจากช่วงอุณหภูมิที่ระบุในคำแนะนำอาจทำให้แบตเตอรี่เสียหายและเป็นการเพิ่มความเสี่ยงในการเกิดไฟไหม้
8. อย่าใช้แหล่งจ่ายไฟที่มีสายเช่นอะแดปเตอร์แบตเตอรี่หรือชุดต้นกำลังแบบพกพากับเครื่องมือนี้ สายของแหล่งจ่ายไฟดังกล่าวอาจเข้าไปขวางการทำงานของเครื่องและทำให้เกิดอันตรายแก่ตัวผู้ใช้ได้

การซ่อมบำรุง

1. นำเครื่องมือไฟฟ้าเข้ารับบริการจากช่างซ่อมที่ผ่านการรับรองโดยช่างอะไหล่แบบเดียวกันเท่านั้น เพราะจะทำให้การใช้เครื่องมือไฟฟ้ามีความปลอดภัย
2. ปฏิบัติตามคำแนะนำในการหล่อลื่นและการเปลี่ยนอุปกรณ์เสริม
3. ดูแลมือจับให้แห้ง สะอาด และไม่มันมันและจาระบีเปื้อน

คำแนะนำเพื่อความปลอดภัยที่สำคัญสำหรับดัลลิ้มแบตเตอรี่

1. ก่อนใช้งานดัลลิ้มแบตเตอรี่ให้อ่านคำแนะนำและเครื่องหมายเตือนทั้งหมดบน (1) เครื่องชาร์จแบตเตอรี่ (2) แบตเตอรี่ และ (3) ตัวผลิตภัณฑ์ที่ใช้แบตเตอรี่
2. อย่าถอดแยกชิ้นส่วนหรือทำการดัดแปลงดัลลิ้มแบตเตอรี่ เนื่องจากอาจทำให้เกิดไฟไหม้ ความร้อนที่สูงเกินไป หรือระเบิดได้
3. หากระยะเวลาที่เครื่องทำงานสั้นเกินไป ให้หยุดใช้งานทันที เนื่องจากอาจมีความเสี่ยงที่จะร้อนจัด ไหม้หรือระเบิดได้
4. หากสารละลายอิเล็กโทรไลต์กระเด็นเข้าตา ให้ล้างออกด้วยน้ำเปล่าและรีบไปพบแพทย์ทันที เนื่องจากอาจทำให้ตาบอด
5. ห้ามลัดวงจรดัลลิ้มแบตเตอรี่:
 - (1) ห้ามแตะขั้วกับวัตถุที่เป็นสื่อไฟฟ้าใดๆ
 - (2) หลีกเลี่ยงการเก็บดัลลิ้มแบตเตอรี่ไว้ในภาชนะร่วมกับวัตถุที่เป็นโลหะ เช่น กรรไกรตัดเล็บ เหรียญ ฯลฯ

- (3) อย่าให้ดัลลิ้มแบตเตอรี่ถูกน้ำหรือฝน แบตเตอรี่ลัดวงจรอาจทำให้เกิดการไหลของกระแสไฟฟ้า ร้อนจัด ไหม้หรือเสียหายได้
6. ห้ามเก็บและใช้เครื่องมือและดัลลิ้มแบตเตอรี่ไว้ในสถานที่ที่มีอุณหภูมิสูงถึงหรือเกิน 50 °C (122 °F)
7. ห้ามเผาตลับแบตเตอรี่ทิ้ง แม้ว่าแบตเตอรี่จะเสียหายจนใช้การไม่ได้หรือเสื่อมสภาพแล้ว ดัลลิ้มแบตเตอรี่อาจจะระเบิดในกองไฟ
8. อย่าถอดตะปู ตัด บด ขั้วง หรือทำดัลลิ้มแบตเตอรี่หล่นพื้น หรือกระแทกดัลลิ้มแบตเตอรี่กับวัตถุของแข็ง การกระทำดังกล่าวอาจส่งผลให้เกิดไฟไหม้ ความร้อนที่สูงเกินไป หรือระเบิดได้
9. ห้ามใช้แบตเตอรี่ที่เสียหาย
10. แบตเตอรี่ลิเทียมไอออนที่มีมาให้ห็นเป็นไปตามข้อกำหนดของ Dangerous Goods Legislation สำหรับการขนส่งเพื่อการพาณิชย์ เช่น โดยบุคคลที่สาม ตัวแทนขนส่งสินค้า จะต้องตรวจสอบข้อกำหนดพิเศษในด้านกรบรรจุหีบห่อหรือการติดป้ายสินค้าในการเตรียมสินค้าที่จะขนส่ง ให้ปรึกษาผู้เชี่ยวชาญด้านวัตถุอันตราย โปรดตรวจสอบข้อกำหนดในประเทศที่อาจมีรายละเอียดอื่น ๆ เพิ่มเติม ให้ติดเทปหรือปิดหน้าสัมผัสและห่อแบตเตอรี่ในลักษณะที่แบตเตอรี่จะไม่เคลื่อนที่ไปมาในหีบห่อ
11. เมื่อกำจัดดัลลิ้มแบตเตอรี่ ให้ถอดดัลลิ้มแบตเตอรี่ออกจากเครื่องมือและกำจัดในสถานที่ที่ปลอดภัย ปฏิบัติตามข้อบังคับในท้องถิ่นที่เกี่ยวกับการกำจัดแบตเตอรี่
12. ใช้แบตเตอรี่กับผลิตภัณฑ์ที่ระบุโดย Makita เท่านั้น การติดตั้งแบตเตอรี่ในผลิตภัณฑ์ที่ไม่ใช่ตามที่จะบออาจทำให้เกิดไฟไหม้ ความร้อนสูง ระเบิด หรืออิเล็กทรอนิกส์ตัวรับไหลได้
13. หากไม่ใช่เครื่องมือเป็นระยะเวลาแล้ว จะต้องถอดแบตเตอรี่ออกจากเครื่องมือ
14. ในระหว่างและหลังการใช้งาน ดัลลิ้มแบตเตอรี่อาจร้อนซึ่งอาจลวกผิวหรือทำให้ผิวไหม้ที่อุณหภูมิทำได้ โปรดระมัดระวังในการจัดการกับแบตเตอรี่ที่ร้อน
15. อย่าสัมผัสขั้วของเครื่องมือทันทีหลังจากการใช้งาน เนื่องจากอาจมีความร้อนพอที่จะทำให้ผิวไหม้ได้
16. อย่าปล่อยให้เศษวัสดุ ฝุ่นผง หรือดินเข้าไปติดอยู่ในขั้ว รู และร่องของดัลลิ้มแบตเตอรี่ เนื่องจากอาจทำให้เครื่องมือหรือดัลลิ้มแบตเตอรี่มีประสิทธิภาพลดลงหรือเสียหายได้
17. หากเครื่องมือไม่รองรับสายไฟแรงดันสูง อย่าใช้ดัลลิ้มแบตเตอรี่ใกล้กับสายไฟแรงดันสูง เนื่องจากเครื่องมือหรือดัลลิ้มแบตเตอรี่อาจทำงานผิดปกติหรือเสียหายได้

18. เก็บแบตเตอรี่ให้ห่างจากเด็ก

ปฏิบัติตามคำแนะนำเหล่านี้

⚠ ข้อควรระวัง: ใช้แบตเตอรี่ของแท้จาก Makita เท่านั้น การใช้อะไหล่แบตเตอรี่ Makita ที่ไม่แท้ หรือแบตเตอรี่ที่ถูกเปลี่ยน อาจทำให้แบตเตอรี่ระเบิด ก่อให้เกิดเพลิงลุกไหม้ การบาดเจ็บ และความเสียหายได้ และจะทำให้การรับประกันของ Makita สำหรับเครื่องมือและแท่นชาร์จของ Makita เป็นโมฆะด้วย

เคล็ดลับในการรักษาอายุการใช้งานของ

แบตเตอรี่ให้ยาวนานที่สุด

1. ชาร์จตัวแบตเตอรี่ก่อนที่ไฟจะหมด หยุดการทำงานแล้วชาร์จประจุไฟฟ้าใหม่ทุกครั้งเมื่อคุณรู้สึกว่าคุณปรารถนากำลังลดลง
2. อย่าชาร์จตัวแบตเตอรี่ที่มีไฟเต็มแล้ว การชาร์จประจุไฟฟ้ามากเกินไปอาจจะทำให้อายุการใช้งานของตัวแบตเตอรี่สั้นลง
3. ชาร์จประจุไฟฟ้าตัวแบตเตอรี่ในห้องที่มีอุณหภูมิระหว่าง 10 °C - 40 °C ปล่อยให้ตัวแบตเตอรี่เย็นลงก่อนที่จะชาร์จไฟ
4. เมื่อไม่ใช้ตัวแบตเตอรี่ ให้ถอดออกจากเครื่องมือหรือเครื่องชาร์จ
5. ชาร์จไฟตัวแบตเตอรี่หากคุณไม่ต้องการใช้เป็นเวลานาน (เกินกว่าหกเดือน)

คำอธิบายการทำงาน

⚠ ข้อควรระวัง: ตรวจสอบให้แน่ใจว่าได้ปิดสวิตช์เครื่องมือและถอดตัวแบตเตอรี่ออกก่อนปรับตั้งหรือตรวจสอบการทำงานของเครื่องมือ

การใส่หรือการถอดตัวแบตเตอรี่

⚠ ข้อควรระวัง: ปิดสวิตช์เครื่องมือก่อนทำการติดตั้งหรือการถอดตัวแบตเตอรี่ทุกครั้ง

⚠ ข้อควรระวัง: ถือเครื่องมือและตัวแบตเตอรี่ให้แน่นในระหว่างการติดตั้งหรือการถอดตัวแบตเตอรี่ หากไม่ถือเครื่องมือและตัวแบตเตอรี่ให้แน่น อาจทำให้ตัวแบตเตอรี่และเครื่องมือลื่นหลุดมือ และทำให้เครื่องมือและตัวแบตเตอรี่เสียหายหรือได้รับบาดเจ็บได้

▶ **หมายเลข 1:** 1. ซีลสีแดง 2. ปุ่ม 3. ตัวแบตเตอรี่

เมื่อต้องการถอดตัวแบตเตอรี่ ให้เลื่อนปุ่มที่ด้านหน้าของตัวแบตเตอรี่ออกจากเครื่องมือ

การติดตั้งตัวแบตเตอรี่ ให้จัดตำแหน่งลิ้นของตัวแบตเตอรี่ให้ตรงกับร่องของเครื่อง แล้วเลื่อนเข้าที่ ใส่ตัวแบตเตอรี่เข้าจนสุดจนกระทั่งได้ยินเสียงคลิกล็อคเข้าที่ หากยังเห็นซีลสีแดงตามที่แสดงในภาพ แสดงว่าตัวแบตเตอรี่ยังไม่ล็อคเข้าที่

⚠ ข้อควรระวัง: ให้นำตัวแบตเตอรี่เข้าจนสุดจนไม่เห็นซีลสีแดงอีก ไม่เช่นนั้น ตัวแบตเตอรี่อาจหลุดออกจากเครื่องมือทำให้คุณหรือคนรอบข้างได้รับบาดเจ็บ

⚠ ข้อควรระวัง: อย่าฝืนติดตั้งตัวแบตเตอรี่โดยใช้แรงมากเกินไป หากตัวแบตเตอรี่ไม่เลื่อนเข้าไปโดยง่าย แสดงว่าใส่ไม่ถูกต้อง

ระบบป้องกันเครื่องมือ/แบตเตอรี่

เครื่องมือมีระบบป้องกันเครื่องมือ/แบตเตอรี่ ระบบนี้จะตัดไฟที่ส่งไปยังมอเตอร์โดยอัตโนมัติเพื่อยืดอายุการใช้งานเครื่องมือและแบตเตอรี่ เครื่องมือจะหยุดทำงานระหว่างการใช้งานโดยอัตโนมัติ หากเครื่องมือหรือแบตเตอรี่อยู่ภายใต้สถานการณ์ต่อไปนี้ ในบางกรณี ไฟแสดงสถานะจะติดขึ้น

การป้องกันโอเวอร์โหลด

เมื่อเครื่องมือทำงานในรูปแบบที่อาจดึงพลังงานไฟฟ้าสูงเกินไป เครื่องมือจะหยุดโดยอัตโนมัติโดยไม่มีการแจ้งเตือนใดๆ ในกรณีนี้ ให้ปิดเครื่องมือและหยุดการใช้งานในลักษณะที่อาจทำให้เครื่องมือทำงานหนักเกินไป แล้วเปิดเครื่องมือเพื่อเริ่มทำงานอีกครั้ง

การป้องกันความร้อนสูงเกิน

เมื่อเครื่องมือร้อนเกินไป เครื่องมือจะหยุดโดยอัตโนมัติ ปล่อยให้เครื่องมือเย็นลงก่อนที่จะเปิดเครื่องมืออีกครั้ง

การป้องกันไฟหมด

เมื่อแบตเตอรี่มีระดับพลังงานต่ำ เครื่องมือจะหยุดโดยอัตโนมัติ หากผลิตภัณฑ์ไม่ทำงานแม้ว่าจะเปิดสวิตช์แล้ว ให้ถอดแบตเตอรี่ออกจากเครื่องมือและชาร์จแบตเตอรี่

การระบุระดับพลังงานแบตเตอรี่ที่เหลืออยู่

สำหรับตัวแบตเตอรี่ที่มีตัวแสดงสถานะเท่านั้น

▶ **หมายเลข 2:** 1. ไฟแสดงสถานะ 2. ปุ่มตรวจสอบ กดปุ่ม ตรวจสอบ บนตัวแบตเตอรี่เพื่อดูปริมาณแบตเตอรี่ที่เหลือ ไฟแสดงสถานะจะสว่างขึ้นเป็นเวลาสองสามวินาที

ไฟแสดงสถานะ			แบตเตอรี่ที่เหลือ
ไฟสว่าง	ดับ	กะพริบ	
■	□	▣	
■ ■ ■ ■			75% ถึง 100%
■ ■ ■ □			50% ถึง 75%
■ ■ □ □			25% ถึง 50%
■ □ □ □			0% ถึง 25%
▣ □ □ □			ชาร์จไฟ แบตเตอรี่
■ ■ □ □	↑ ↓		แบตเตอรี่อาจ จะเสีย

หมายเหตุ: ขึ้นอยู่กับสภาพการใช้งานและอุณหภูมิ โดยรอบ การแสดงสถานะอาจจะแตกต่างจากปริมาณ แบตเตอรี่จริงเล็กน้อย

หมายเหตุ: ไฟแสดงสถานะดวงแรก (ซ้ายสุด) จะกะพริบ เมื่อระบบป้องกันแบตเตอรี่ทำงาน

ตำแหน่งของกล่องสวิตช์

กล่องสวิตช์สามารถเกี่ยวกับเข็มขัดเส้นล่างได้ทั้งสองด้าน ปรับสายไฟเพื่อให้กล่องสวิตช์มาอยู่ในตำแหน่งที่คุณต้องการ หากต้องการป้องกันไม่ให้สายไฟเสียหาย ให้สอดสายไฟ ผ่านขอเกี่ยวตามที่แสดงในภาพ

- ▶ **หมายเลข 3:** 1. ขอเกี่ยว 2. สายไฟ

การปรับเข็มขัด

สามารถปรับความแน่นของเข็มขัดสะพายไหล่ เข็มขัดเส้นบนและเส้นล่างได้ ขั้นแรกให้สอดแขนผ่านเข็มขัดสะพายไหล่ แล้วจึงรัดเข็มขัดเส้นบนและเส้นล่าง เมื่อต้องการรัดให้แน่น ให้ดึงปลายสายตามที่แสดงในภาพ เมื่อต้องการคลาย ให้ดึงปลายสายรัวขึ้น

- เข็มขัดสะพายไหล่**
- ▶ **หมายเลข 4:** 1. สายสะพาย 2. สายรัด

- เข็มขัดเส้นบน**
- ▶ **หมายเลข 5:** 1. สายสะพาย 2. สายรัด

- เข็มขัดเส้นล่าง**
- ▶ **หมายเลข 6:** 1. สายสะพาย 2. สายรัด

ขอเกี่ยว

จับขอเกี่ยวขณะถือตัวเครื่องดูฝุ่นไว้เสมอ

- ▶ **หมายเลข 7:** 1. ขอเกี่ยว

ก้านดูดแบบยืดได้

สำหรับประเภทเครื่องดูดฝุ่นเท่านั้น

ความยาวของก้านดูดสามารถปรับได้ คลายแหวนบนก้านดูดและปรับความยาวของก้านดูด ขึ้นแหวนให้แน่นตามความยาวที่คุณต้องการ

- ▶ **หมายเลข 8:** 1. แหวน

การทำงานของสวิตช์

กดปุ่ม (๕) หนึ่งครั้งเพื่อเปิดเครื่องดูดฝุ่น เครื่องดูดฝุ่นจะเริ่มทำงานด้วยแรงดูดขั้นสูงสุด (2) หากต้องการลดระดับแรงดูดลง ให้กดปุ่ม (๕) อีกหนึ่งครั้ง เครื่องดูดฝุ่นจะทำงานด้วยแรงดูดปกติ (1) เมื่อกดปุ่มในขณะที่เครื่องดูดฝุ่นทำงานอยู่ ระดับแรงดูดของเครื่องจะสลับไปมาระหว่างระดับสูงและระดับปกติ กดปุ่ม (๐) หนึ่งครั้งเพื่อปิดเครื่องดูดฝุ่น

- ▶ **หมายเลข 9**

ไฟ LED

ไฟ LED ติดตั้งอยู่ในส่วนหัวของกล่องสวิตช์เพื่อให้สามารถใช้งานในที่มืดได้อย่างง่ายดายยิ่งขึ้น กดปุ่ม (๕) เพื่อเปิดไฟ เมื่อต้องการปิด ให้กดปุ่ม (๕) อีกครั้ง

- ▶ **หมายเลข 10**

⚠ ข้อควรระวัง: อย่ามองเข้าไปในดวงไฟหรือจ้องดูแหล่งกำเนิดแสงโดยตรง ห้ามส่องไฟใส่ตาผู้อื่นเด็ดขาด

หมายเหตุ: ไฟ LED จะดับลงโดยอัตโนมัติเมื่อเครื่องดูดฝุ่นไม่ทำงานนานกว่า 10 นาที

หมายเหตุ: เครื่องดูดฝุ่นจะปิดลงโดยอัตโนมัติและไฟ LED จะสว่างขึ้นเมื่อเครื่องดูดฝุ่นร้อนเกินไปเนื่องจากอากาศไม่คอยถ่ายเทในตัวเครื่องโดยมีสาเหตุมาจากท่อดูด ท่อแข็ง ตัวกรองอุดตัน หรือเหตุผลอื่นๆ

สายคาดท่อ

สามารถใช้สายรัดท่อสำหรับยึดท่อหรือหัวดูดสำหรับพื้นที่เข้าถึงยากได้

การยึดท่อเข้ากับที่ดูดฝุ่น ให้สอดสายรัดท่อผ่านช่องที่ตัวเครื่อง คุณสามารถติดตั้งสายรัดท่อที่อีกด้านได้

- ▶ **หมายเลข 11:** 1. สายคาดท่อ 2. ช่อง 3. ท่อ

เมื่อต้องการยึดหัวดูด ให้สอดสายคาดท่อผ่านรูบนเข็มขัดเส้นล่าง

▶ หมายเลข 12: 1. สายคาดท่อ 2. หัวดูด

ตะขอบนท่อดูด

สำหรับประเภทเครื่องดูดฝุ่นเท่านั้น

เมื่อหยุดการทำงานของเครื่องไว้ชั่วคราว ตะขอบนท่อดูดสามารถใช้เป็นที่แขวนด้ามจับบนสายพานล่างได้

▶ หมายเลข 13

การประกอบ

⚠ ข้อควรระวัง: ตรวจสอบให้แน่ใจว่าได้ปิดสวิทช์เครื่องมือและถอดปลั๊กเตลอร์อกก่อนดำเนินการใดๆ กับเครื่องมือ

การประกอบท่อเครื่องดูดฝุ่น

สอดข้อต่อท่อดูดเข้าไปในตัวเครื่องดูดฝุ่นแล้วหมุนตามเข็มนาฬิกา

▶ หมายเลข 14: 1. ข้อต่อของท่อดูด 2. ตัวเครื่องดูดฝุ่น

การประกอบด้ามจับและช่องดักฝุ่น

สำหรับประเภทเครื่องดูดฝุ่นเท่านั้น

ต่อช่องดักฝุ่นเข้ากับด้ามเสริม จากนั้น ดันตัวเครื่องดูดฝุ่นแล้วต่อท่อดูดเข้ากับด้ามเสริม

การต่อก้านดูดแบบยึดได้และหัวดูด

▶ หมายเลข 15: 1. ก้านดูดแบบยึดได้ 2. หัวดูด 3. หัวดูดรูปตัวที

การต่อท่อดูดและก้านดูดแบบยึดได้

▶ หมายเลข 16: 1. สาย 2. ก้านดูดแบบยึดได้ 3. หัวดูด

หมายเหตุ: หัวดูดสามารถติดกับท่อได้โดยตรง

การเชื่อมต่อเครื่องมือ

สำหรับประเภทเครื่องดักฝุ่นเท่านั้น

เสียบข้อต่อด้านหน้าบนท่อดูดเข้ากับทางระบายฝุ่นของเครื่อง

▶ หมายเลข 17: 1. ข้อต่อด้านหน้า 2. ทางระบายฝุ่น

ใช้ข้อต่อด้านหน้าที่เหมาะสมเสมอ สามารถถอดข้อต่อด้านหน้าออกได้โดยหมุนทวนเข็มนาฬิกาในขณะที่จับท่อดูดไว้ เมื่อเสียบข้อต่อ ต้องตรวจสอบให้แน่ใจว่าสกรูข้อต่อยึดเข้ากับท่อดูดอย่างแน่นหนา

▶ หมายเลข 18: 1. ท่อดูด 2. ข้อต่อด้านหน้า

กรณีใช้ข้อต่อด้านหน้าเบอร์ 24 ให้เสียบเข้ากับข้อต่อด้านหน้าเบอร์ 22 ที่เชื่อมกับท่อดูด

▶ หมายเลข 19: 1. ข้อต่อด้านหน้าเบอร์ 22 2. ข้อต่อด้านหน้าเบอร์ 24

การต่อชุดท่อโค้ง

ใช้ชุดท่อโค้งซึ่งเป็นอุปกรณ์เสริมในการดูดฝุ่นสำหรับประเภทดูดฝุ่น คลายสกรูด้านหน้าข้อต่อของท่อดูดและยึดปลอกของชุดท่อโค้งเข้ากับท่อดูดให้แน่นเพื่อต่อชุดท่อโค้ง

▶ หมายเลข 20: 1. ท่อดูด 2. ชุดท่อโค้ง 3. ปลอก

การติดตั้งถุงกรองฝุ่น

⚠ ข้อควรระวัง: ห้ามใช้ถุงกรองฝุ่นที่เสียหาย ใช้เครื่องดูดฝุ่นที่มีถุงกรองฝุ่นที่ติดตั้งอย่างเหมาะสมเสมอ มิฉะนั้นผงฝุ่นหรือเศษวัสดุที่ดูดมาอาจถูกปล่อยออกมาจากเครื่องดูดฝุ่นและอาจให้เกิดการเจ็บป่วยทางระบบทางเดินหายใจหรืออื่นๆ แก่ผู้ปฏิบัติงานได้

ข้อสังเกต: เมื่อถุงกรองฝุ่นเต็มแล้ว ให้เปลี่ยนเป็นอันใหม่ การใช้งานถุงกรองฝุ่นที่เต็มแล้วอย่างต่อเนื่องจะส่งผลให้แรงดูดลดลง

1. ปลดลอคตัวลอคโดยยกด้านล้างขึ้น กดส่วนที่เป็นร่องเพื่อยกด้านลอคด้านหน้า ดึงตัวลอคเพื่อเปิดฝา

▶ หมายเลข 21: 1. ขอบเกี่ยว 2. ฝา

2. สอดถุงกรองฝุ่นเข้าไปในช่องที่อยู่ด้านบนของช่องว่างตามที่แสดงในภาพ

▶ หมายเลข 22: 1. ช่อง 2. ถุงกรองฝุ่น/ถุงดักฝุ่น

เมื่อใช้ถุงดักฝุ่น (อุปกรณ์เสริม) ให้สอดขอบของถุงดักฝุ่นเข้าไปในรอยตัด

▶ หมายเลข 23: 1. รอยตัด 2. ขอบ

3. จัดรูของถุงกรองฝุ่นให้ตรงกับข้อต่อของท่อดูด และดันส่วนกระดาษแข็งไปจนสุด ตรวจสอบให้แน่ใจว่าแหวนยางบนถุงกรองฝุ่นเข้าไปในขอบบนข้อต่อของท่อดูด

▶ หมายเลข 24: 1. แหวนยางบนถุงกรองฝุ่น 2. ขอบบนข้อต่อของท่อดูด 3. ส่วนกระดาษแข็งของถุงกรองฝุ่น 4. ข้อต่อของท่อดูด

การใช้งาน

คำเตือน: ผู้ปฏิบัติงานควรได้รับคำแนะนำอย่างเหมาะสมในด้านการใช้งานเครื่องดูดฝุ่น

คำเตือน: เครื่องดูดฝุ่นนี้ไม่เหมาะสำหรับการเก็บฝุ่นอันตราย

ข้อควรระวัง: เครื่องดูดฝุ่นนี้ใช้สำหรับการใช้งานแบบแห้งเท่านั้น



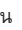
ข้อควรระวัง: เครื่องดูดฝุ่นนี้ใช้สำหรับการใช้งานในที่ร่มเท่านั้น

ข้อควรระวัง: ให้แน่ใจว่าสวิตช์แบตเตอรี่เข้าจนสุดจนกระทั่งได้ยินเสียงล็อกเข้าที่ หากยังเห็นส่วนสีแดงที่ด้านบนของปุ่ม แสดงว่าสวิตช์แบตเตอรี่ยังไม่ล็อกเข้าที่ ให้ดันสวิตช์แบตเตอรี่เข้าจนสุดจนไม่เห็นส่วนสีแดงอีก ไม่งั้นนั้น สวิตช์แบตเตอรี่อาจหลุดออกจากเครื่องมือทำให้คุณหรือคนรอบข้างได้รับบาดเจ็บ

ข้อควรระวัง: ในระหว่างการทำงาน พึงระลึกว่ามีที่ดูดฝุ่นอยู่ที่หลังของคุณ คุณอาจสูญเสียการทรงตัวหากที่ดูดฝุ่นชนเข้ากับผนังหรือท่ออื่นที่เกี่ยวข้องกับสิ่งกีดขวางต่างๆ

1. เอาเครื่องดูดฝุ่นสะพายไหล่แล้วรีดเข็มขัดเส้นบนและเส้นล่าง ปรับความแน่นตามความจำเป็น

▶ **หมายเลข 25**

2. กดปุ่ม  เพื่อเปิดเครื่องดูดฝุ่น หากต้องการลดระดับแรงดูดลง ให้กดปุ่ม  อีกหนึ่งครั้ง กดปุ่ม  เพื่อปิดเครื่องดูดฝุ่น

▶ **หมายเลข 26**

ให้เกี่ยวกลองสวิตช์เข้ากับสายพานล่างในขณะที่เครื่องทำงาน สามารถปิดตะขอเพื่อเบนให้ออกห่างตัวได้

▶ **หมายเลข 27**

หมายเหตุ: เครื่องดูดฝุ่นจะปิดลงโดยอัตโนมัติและไฟ LED จะสว่างขึ้นเมื่อเครื่องดูดฝุ่นร้อนเกินไปเนื่องจากอากาศไม่คอยถ่ายเทในตัวเครื่องโดยมีสาเหตุมาจากท่อดูด ท่อแข็ง ตัวกรองอุดตัน หรือเหตุผลอื่นๆ ในกรณีนี้ ให้ถอดสิ่งที่เป็นต้นเหตุของปัญหาออกและทำให้เครื่องดูดฝุ่นเย็นลงก่อนเริ่มใหม่

3. เปลี่ยนถุงกรองฝุ่นเมื่อถุงเต็ม เปิดฝาและนำถุงกรองฝุ่นออกมา ดึงแถบด้านข้างช่องเปิดเพื่อปิดถุงกรองฝุ่นและทิ้งถุงกรองฝุ่นทั้งถุง

▶ **หมายเลข 28:** 1. แถบ

เมื่อใช้ถุงดักฝุ่น (อุปกรณ์เสริม) ให้นำถุงดักฝุ่นออกมาและทิ้งฝุ่นผงโดยปลอดภัย

▶ **หมายเลข 29:** 1. ตัวล็อก

ข้อสังเกต: ตรวจสอบถุงกรองฝุ่นเป็นระยะว่าเต็มหรือไม่ การใช้งานถุงกรองฝุ่นที่เต็มแล้วอย่างต่อเนื่องจะส่งผลให้แรงดูดลดลง

ข้อสังเกต: ห้ามใช้ถุงกรองฝุ่นที่ใช่แล้ว ถุงกรองฝุ่นออกแบบมาให้ใช้งานเพียงครั้งเดียว ถ้าคุณต้องการใช้ถุงซ้ำ ให้ใช้ถุงดักฝุ่น (อุปกรณ์เสริม)

การบำรุงรักษา

ข้อควรระวัง: ตรวจสอบให้แน่ใจว่าได้ปิดสวิตช์เครื่องมือและถอดสวิตช์แบตเตอรี่ออกก่อนทำการตรวจสอบหรือบำรุงรักษา

ข้อสังเกต: อย่าใช้น้ำมันเชื้อเพลิง เบนซิน ทินเนอร์ แอลกอฮอล์ หรือวัสดุประเภทเดียวกัน เนื่องจากอาจทำให้ลื่นลื่น เสียหาย หรือแตกร้าวได้

การทำความสะอาดตัวกรอง HEPA

ข้อควรระวัง: อย่าใช้เครื่องดูดฝุ่นโดยไม่มีตัวกรองหรือใช้ตัวกรองที่สกปรกหรือเสียหายต่อไป ฝุ่นผงหรือเศษวัสดุที่ดูดมาอาจถูกปล่อยออกมาจากเครื่องดูดฝุ่นและอาจให้เกิดการเจ็บป่วยทางระบบทางเดินหายใจหรืออื่นๆ แก่ผู้ปฏิบัติงานได้

ข้อสังเกต: เมื่อต้องการให้มีแรงดูดสูงสุดและปล่อยลมสะอาด ให้ทำความสะอาดตัวกรองเป็นระยะ ถ้ามีแรงดูดไม่เพียงพอแม้กระทั่งหลังทำความสะอาดแล้ว ให้เปลี่ยนตัวกรองเป็นอันใหม่

ข้อสังเกต: เพื่อป้องกันไม่ให้ตัวกรองเสียหาย อย่าใช้เครื่องมือต่อไปนี้และสิ่งที่คล้ายกันนั้นในการทำลมสะอาด:

- สเปรย์ลมเป่าฝุ่น
- เครื่องฉีดน้ำแรงดันสูง
- เครื่องมือที่ทำจากวัสดุที่แข็ง เช่น แปรงโลหะ

1. เปิดฝาและนำถุงกรองฝุ่นออกมา ปลดขอเกี่ยวบนตัวกรองและถอดออกจกตัวเครื่องดูดฝุ่น

▶ **หมายเลข 30**

2. เคาะฝุ่นออกจากตัวกรอง ตัวกรองสามารถล้างได้ด้วยน้ำ ล้างฝุ่นและเศษวัสดุบนตัวกรองออกทุก 1 หรือ 2 เดือน หลังจากนั้น ให้ตากตัวกรองให้แห้งสนิทในที่ร่มและมีอากาศถ่ายเทเพื่อป้องกันไม่ให้มีกลิ่นไม่พึงประสงค์หรือเกิดการทำงานผิดปกติ

3. เมื่อต้องการติดตั้งตัวกรอง ให้สอดด้านที่ไม่มีแผ่นเปิดปิดเข้าไปในที่ยึด แล้วจึงดันตัวกรองลงจนแผ่นเปิดปิดยึดอยู่กับโครง

- ▶ **หมายเลข 31:** 1. ที่ยึด 2. ตัวกรอง HEPA 3. โครง
4. แผ่นเปิดปิด

การทำความสะอาดถุงดักฝุ่น

ทำความสะอาดถุงดักฝุ่นด้วยสบู่และน้ำเป็นประจำ พลิกถุงดักฝุ่นด้านในออกมาด้านนอกและกำจัดฝุ่นที่เกาะติด ทำความสะอาดเบาๆ ด้วยมือและล้างด้วยน้ำให้สะอาด ทำให้แห้งสนิทก่อนติดตั้งเข้ากับเครื่องดูดฝุ่น

- ▶ **หมายเลข 32**

ข้อสังเกต: ถุงดักฝุ่นที่เปียกจะทำให้ประสิทธิภาพในการดูดและอายุการใช้งานของมอเตอร์ลดลง

เพื่อความปลอดภัยและนำเชื้อถือของผลิตภัณฑ์ ควรให้ศูนย์บริการหรือโรงงานที่ผ่านการรับรองจาก Makita เป็นผู้ดำเนินการซ่อมแซม บำรุงรักษาและทำการปรับตั้งอื่นๆ นอกจากนี้ให้ใช้อะไหล่ของแท้จาก Makita เสมอ

อุปกรณ์เสริม

⚠ ข้อควรระวัง: ขอแนะนำให้ใช้เฉพาะอุปกรณ์เสริมหรืออุปกรณ์ต่อพ่วงเหล่านี้กับเครื่องมือ Makita ที่ระบุในคู่มือการใช้งานอุปกรณ์เสริมหรืออุปกรณ์ต่อพ่วงอื่นๆ อาจมีความเสี่ยงที่จะได้รับบาดเจ็บ ใช้อุปกรณ์เสริมหรืออุปกรณ์ต่อพ่วงตามวัตถุประสงค์ที่ระบุไว้เท่านั้น

หากต้องการทราบรายละเอียดเพิ่มเติมเกี่ยวกับอุปกรณ์เสริมเหล่านี้ โปรดสอบถามศูนย์บริการ Makita ใกล้บ้านคุณ

- ท่อดูด (สำหรับประเภทเครื่องดูดฝุ่น)
- ท่อดูด (สำหรับประเภทดักฝุ่น)
- ก้านดูดแบบยึดได้
- หัวดูด
- หัวดูดรูปร่างตัวที
- หัวดูดสำหรับพรม
- หัวดูดฝุ่นสำหรับมุมอับ
- การติดตั้งท่อ
- แปรงดูดฝุ่นบนชั้นวาง
- แปรงหัวกลม
- ท่อตรง
- ท่อโค้ง
- ฝุ่นกรองฝุ่น
- ฝุ่นดักฝุ่น
- ข้อต่อด้านหน้า
- ตัวกรอง HEPA
- แบตเตอรี่และเครื่องชาร์จ Makita ของแท้

หมายเหตุ: อุปกรณ์บางรายการอาจจะรวมอยู่ในชุดเครื่องมือเป็นอุปกรณ์มาตรฐาน ซึ่งอาจแตกต่างกันไปในแต่ละประเทศ

Makita Corporation
3-11-8, Sumiyoshi-cho,
Anjo, Aichi 446-8502 Japan
www.makita.com

885492J379
EN, ZHCN, ID,
VI, TH
20210116