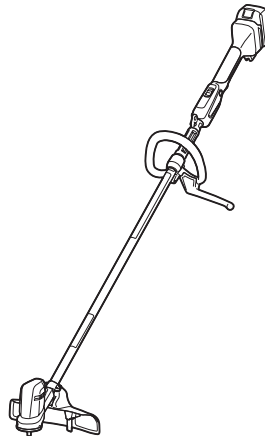
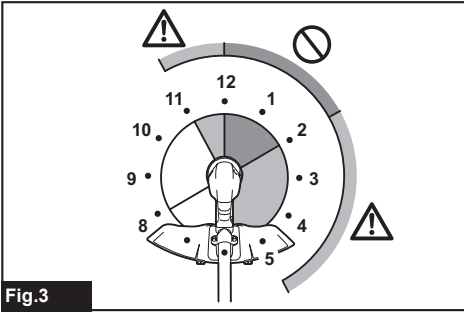
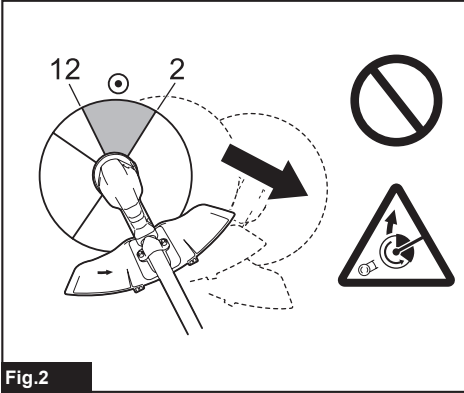
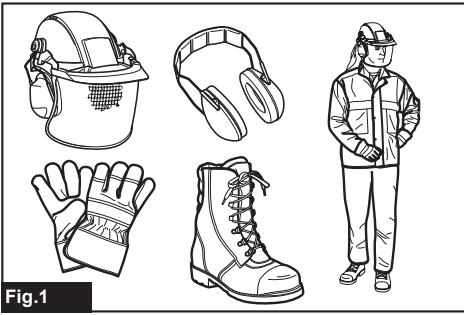




EN	Cordless Grass Trimmer	INSTRUCTION MANUAL	10
ZHCN	充电式割草机	使用说明书	22
ID	Alat Potong Rumput Tanpa Kabel	PETUNJUK PENGGUNAAN	35
MS	Pemangkas Rumput Tanpa Kord	MANUAL ARAHAN	49
VI	Máy Tia Hàng Rào Cầm Tay Hoạt Động Bằng Pin	TÀI LIỆU HƯỚNG DẪN	63
TH	เครื่องตัดหญ้าไร้สาย	คู่มือการใช้งาน	76

DUR194





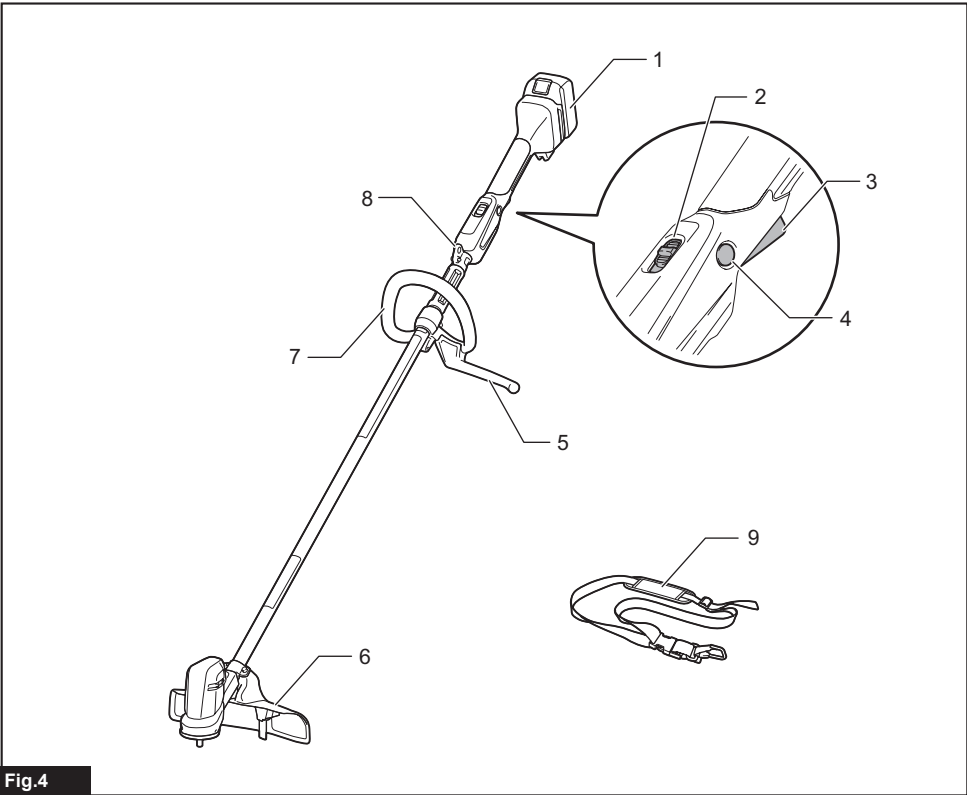


Fig.4

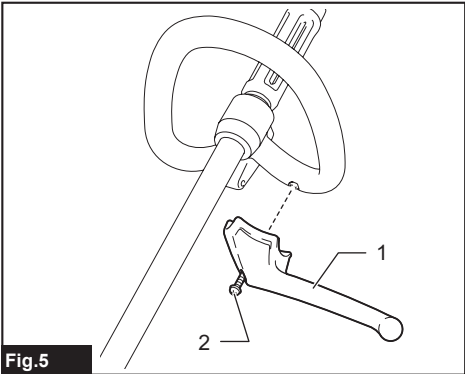


Fig.5

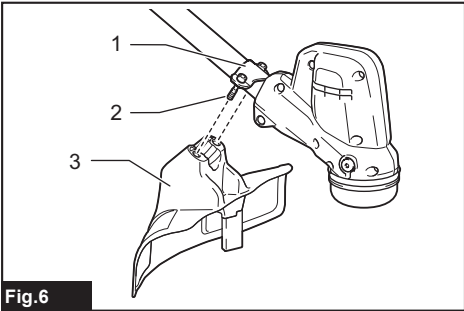


Fig.6

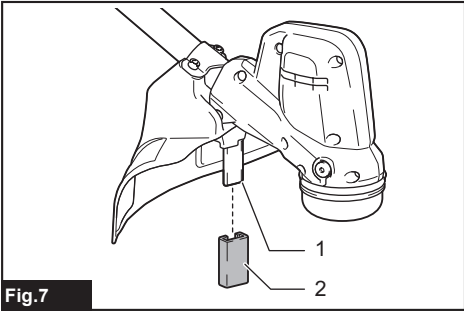


Fig.7

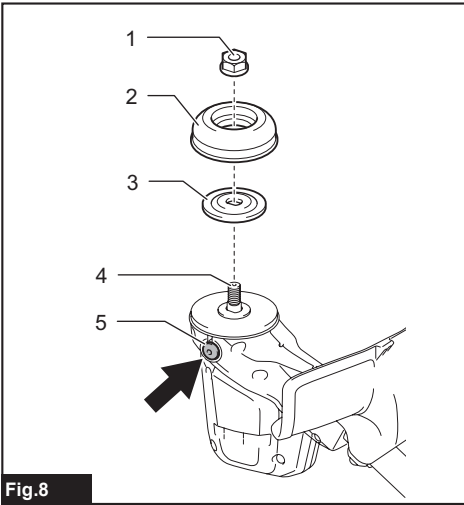


Fig.8

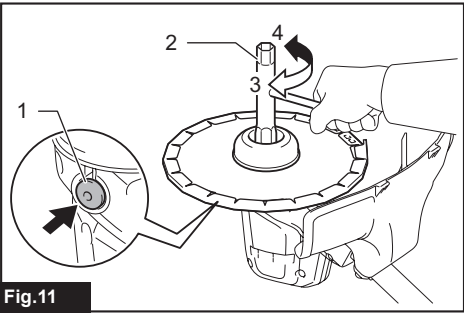


Fig.11

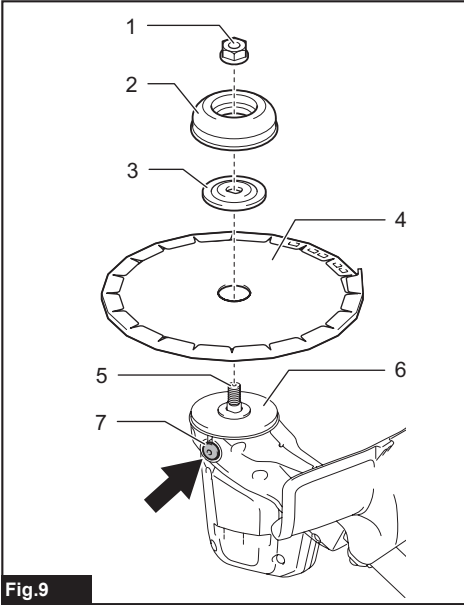


Fig.9

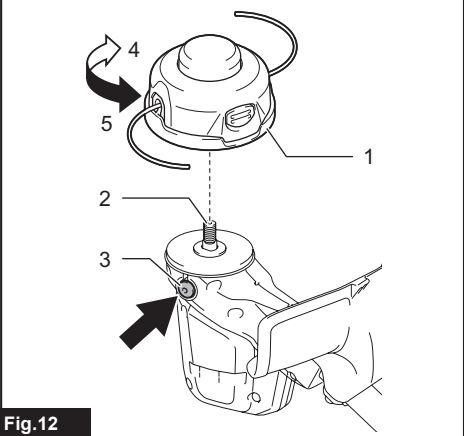


Fig.12

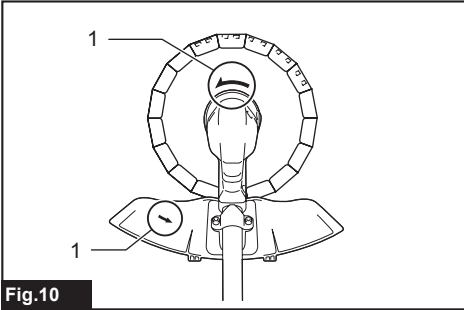


Fig.10

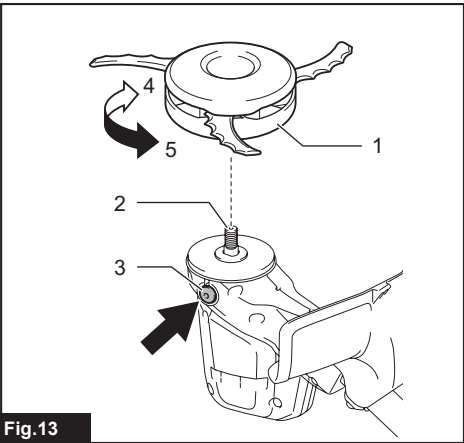


Fig.13

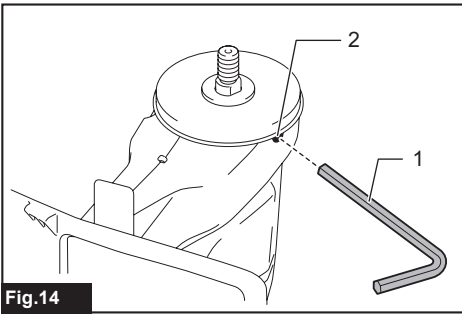


Fig.14

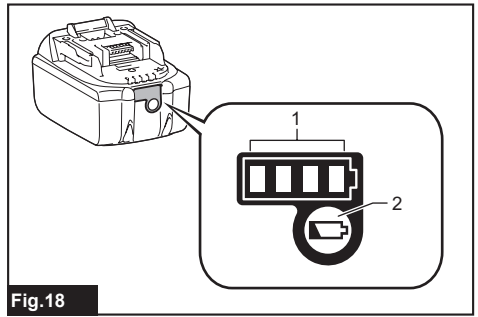


Fig.18

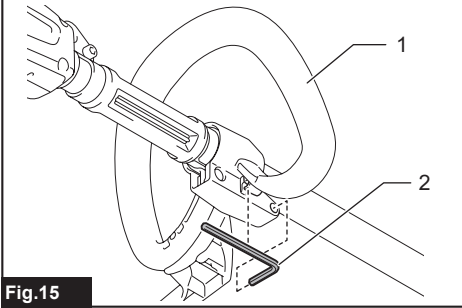


Fig.15

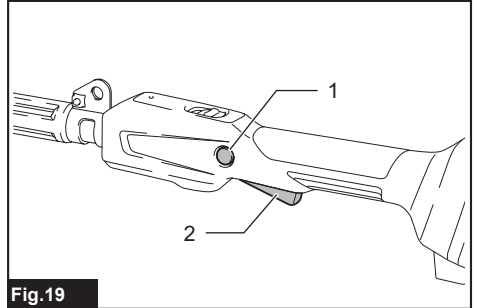


Fig.19

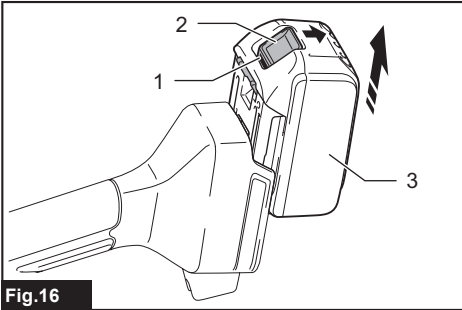


Fig.16

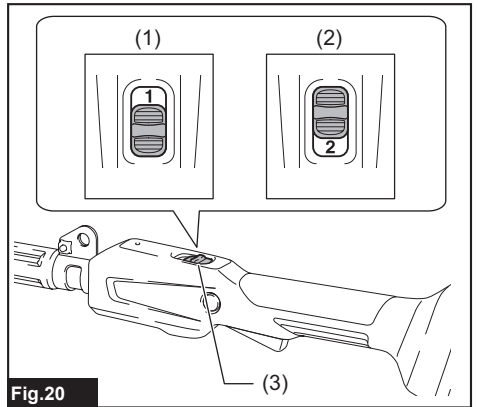


Fig.20

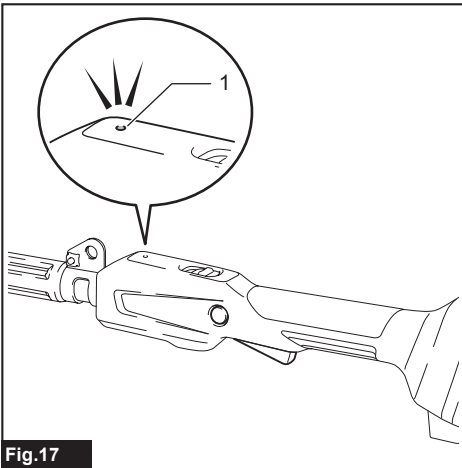


Fig.17

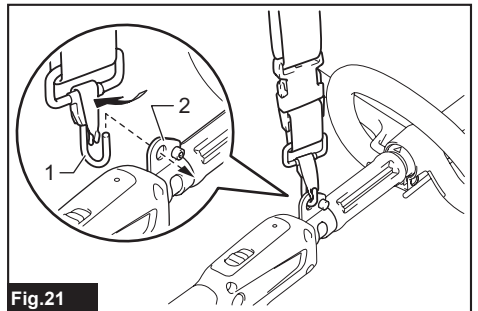


Fig.21

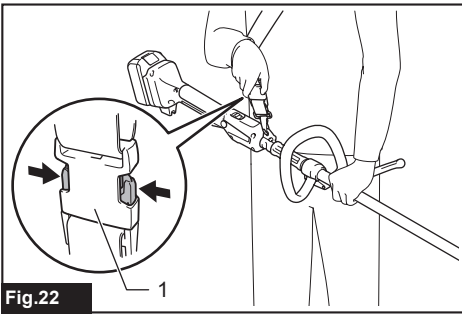


Fig.22



Fig.23

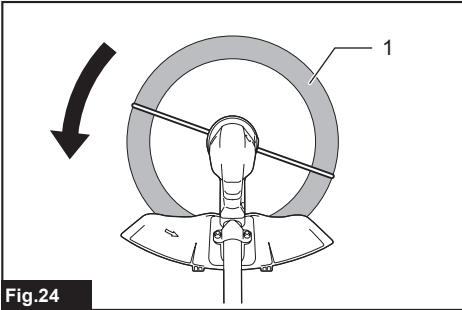


Fig.24

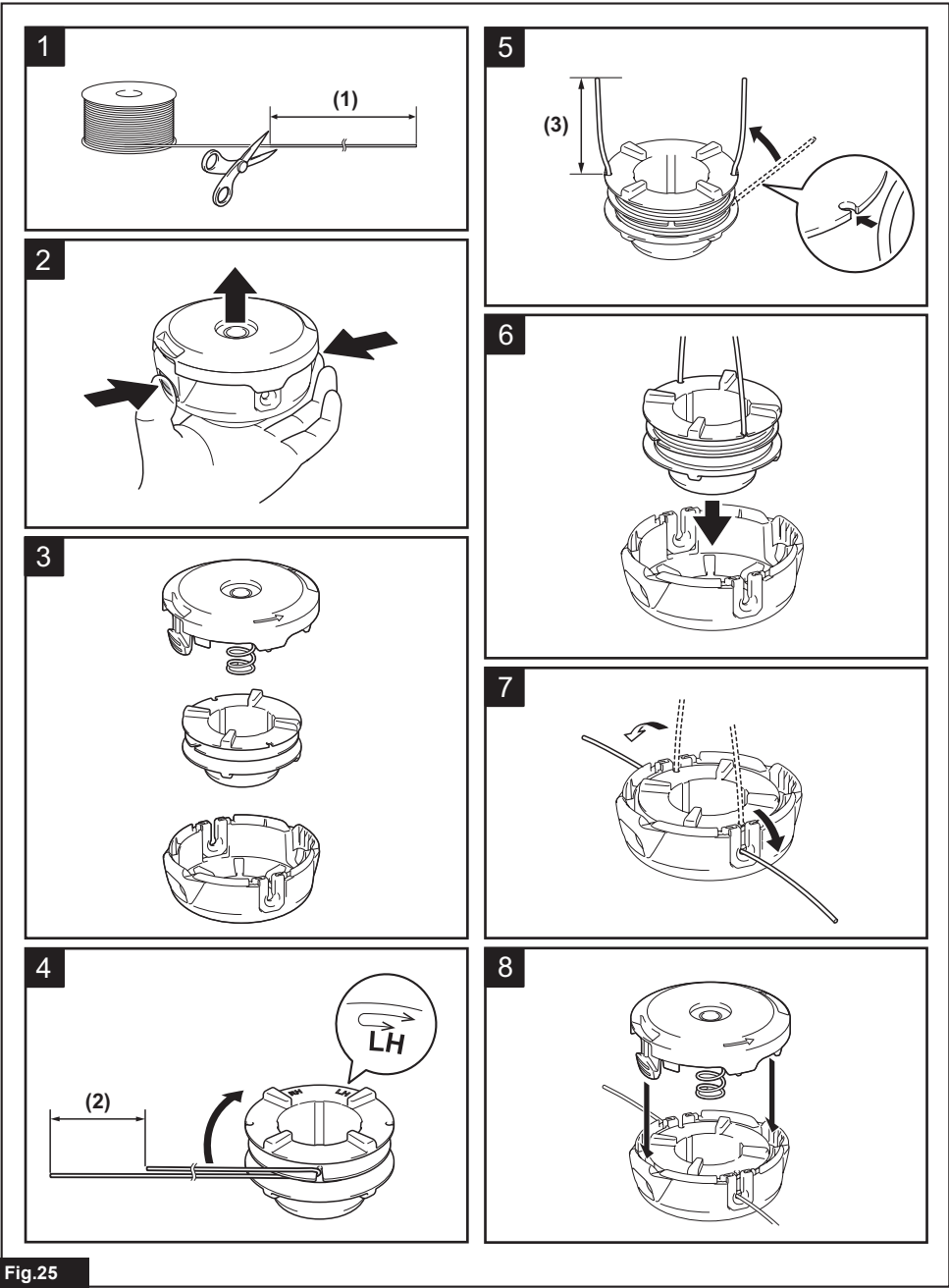
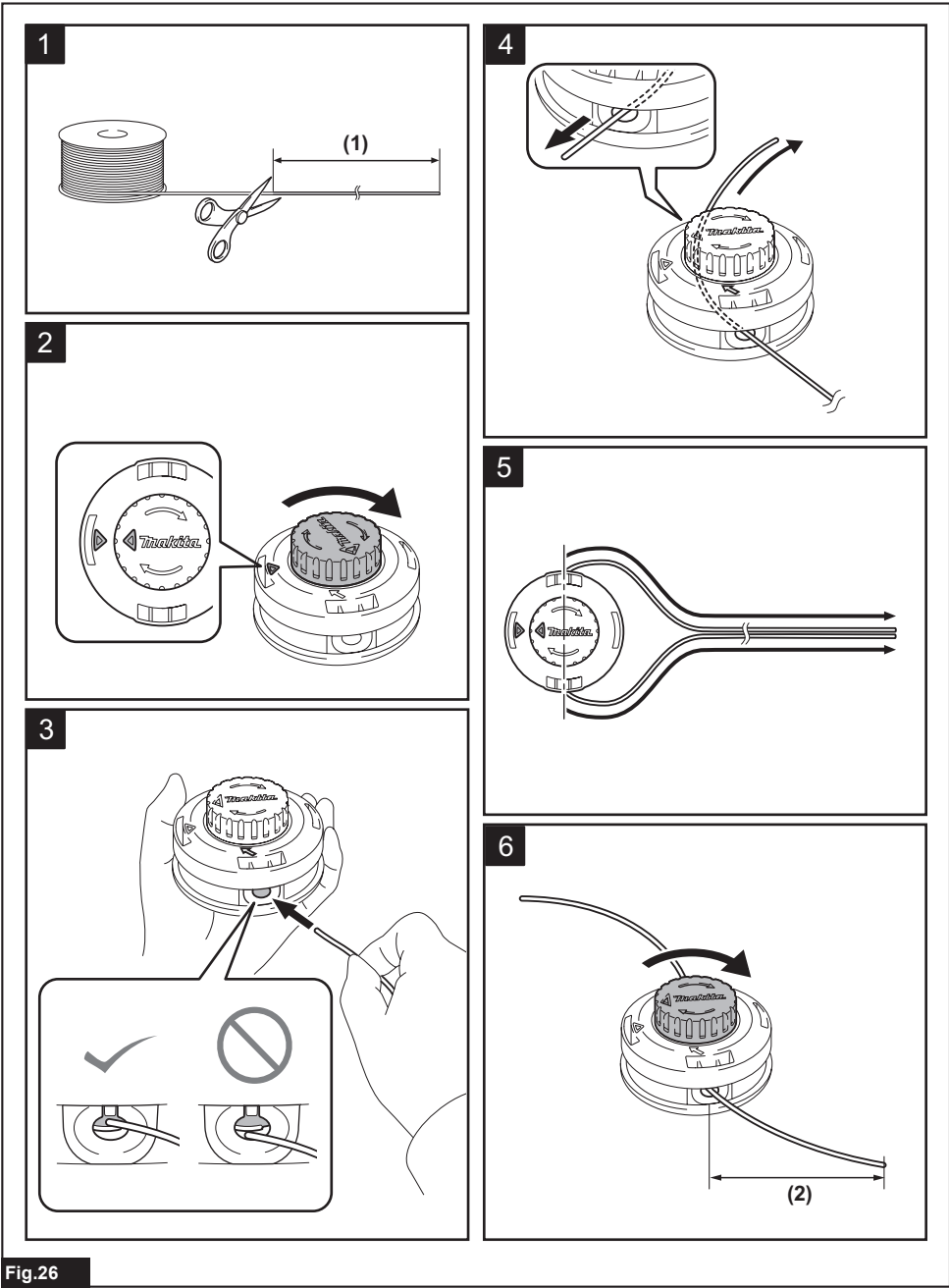


Fig.25



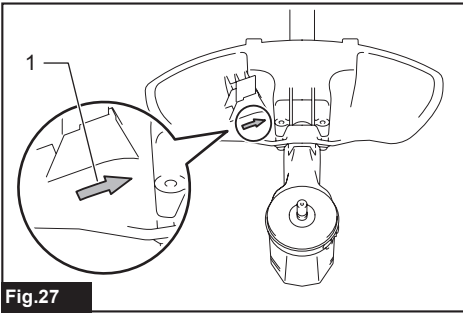


Fig.27

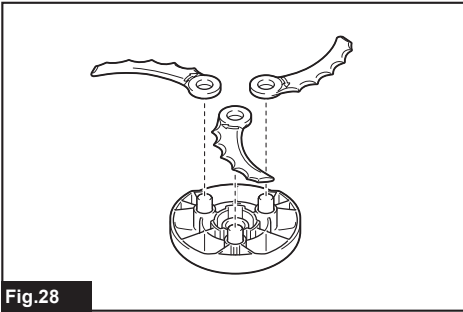


Fig.28

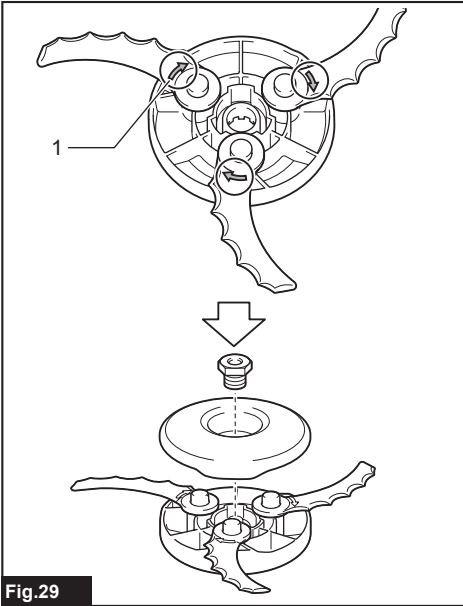


Fig.29

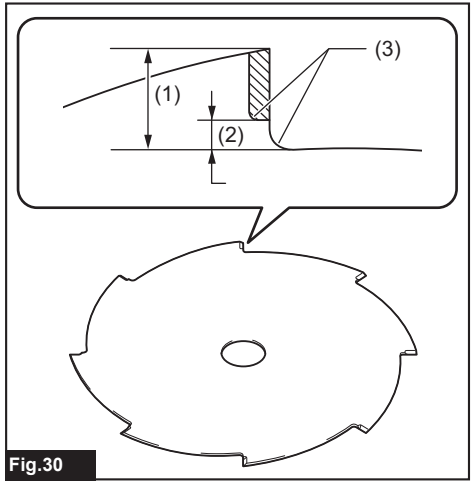


Fig.30

SPECIFICATIONS

Model:		DUR194
Type of handle		Loop handle
No load speed		2: 6,000 min ⁻¹ 1: 4,500 min ⁻¹
Overall length (without cutting tool)		1,580 mm
Nylon cord diameter		2.0 mm
Applicable cutting tool and cutting diameter	8-tooth blade (P/N 191Y44-2)	200 mm
	Nylon cutting head (P/N 198893-8, 191D89-4)	280 mm
	Plastic blade (P/N 191Y45-0)	230 mm
Rated voltage		D.C. 18 V
Net weight		2.6 - 2.9 kg

- Due to our continuing program of research and development, the specifications herein are subject to change without notice.
- Specifications may differ from country to country.
- The weight may differ depending on the attachment(s), including the battery cartridge. The lightest and heaviest combination, according to EPTA-Procedure 01/2014, are shown in the table.

Applicable battery cartridge and charger

Battery cartridge	BL1815N / BL1820B / BL1830B / BL1840B / BL1850B / BL1860B
Charger	DC18RC / DC18RD / DC18RE / DC18SD / DC18SE / DC18SF / DC18SH

- Some of the battery cartridges and chargers listed above may not be available depending on your region of residence.

⚠ WARNING: Only use the battery cartridges and chargers listed above. Use of any other battery cartridges and chargers may cause injury and/or fire.





Recommended cord connected power source







Portable power pack	PDC01
---------------------	-------

- The cord connected power source(s) listed above may not be available depending on your region of residence.
- Before using the cord connected power source, read instruction and cautionary markings on them.

Symbols

The followings show the symbols which may be used for the equipment. Be sure that you understand their meaning before use.

	Take particular care and attention.
	Read instruction manual.
	Keep distance at least 15 m.
	Danger; be aware of thrown objects.

	Caution; kickback
	Wear a helmet, goggles and ear protection.
	Wear protective gloves.
	Wear sturdy boots with nonslip soles. Steeltoed safety boots are recommended.
	Warning; Disconnect battery before maintenance.
	Do not expose to moisture.



Only for EU countries
Due to the presence of hazardous components in the equipment, waste electrical and electronic equipment, accumulators and batteries may have a negative impact on the environment and human health. Do not dispose of electrical and electronic appliances or batteries with household waste!

In accordance with the European Directive on waste electrical and electronic equipment and on accumulators and batteries and waste accumulators and batteries, as well as their adaptation to national law, waste electrical equipment, batteries and accumulators should be stored separately and delivered to a separate collection point for municipal waste, operating in accordance with the regulations on environmental protection.

This is indicated by the symbol of the crossed-out wheeled bin placed on the equipment.



Guaranteed sound power level according to EU Outdoor Noise Directive.



Sound power level according to Australia NSW Noise Control Regulation.

SAFETY WARNINGS

General power tool safety warnings

⚠ WARNING: Read all safety warnings, instructions, illustrations and specifications provided with this power tool. Failure to follow all instructions listed below may result in electric shock, fire and/or serious injury.

Save all warnings and instructions for future reference.

The term "power tool" in the warnings refers to your mains-operated (corded) power tool or battery-operated (cordless) power tool.

Work area safety

1. **Keep work area clean and well lit.** Cluttered or dark areas invite accidents.
2. **Do not operate power tools in explosive atmospheres, such as in the presence of flammable liquids, gases or dust.** Power tools create sparks which may ignite the dust or fumes.
3. **Keep children and bystanders away while operating a power tool.** Distractions can cause you to lose control.

Electrical safety

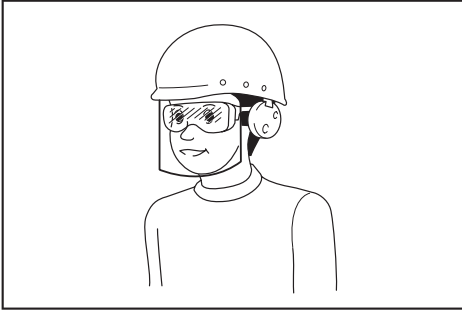
1. **Power tool plugs must match the outlet. Never modify the plug in any way. Do not use any adapter plugs with earthed (grounded) power tools.** Unmodified plugs and matching outlets will reduce risk of electric shock.

2. **Avoid body contact with earthed or grounded surfaces, such as pipes, radiators, ranges and refrigerators.** There is an increased risk of electric shock if your body is earthed or grounded.
3. **Do not expose power tools to rain or wet conditions.** Water entering a power tool will increase the risk of electric shock.
4. **Do not abuse the cord. Never use the cord for carrying, pulling or unplugging the power tool. Keep cord away from heat, oil, sharp edges or moving parts.** Damaged or entangled cords increase the risk of electric shock.
5. **When operating a power tool outdoors, use an extension cord suitable for outdoor use.** Use of a cord suitable for outdoor use reduces the risk of electric shock.
6. **If operating a power tool in a damp location is unavoidable, use a residual current device (RCD) protected supply.** Use of an RCD reduces the risk of electric shock.
7. **Power tools can produce electromagnetic fields (EMF) that are not harmful to the user.** However, users of pacemakers and other similar medical devices should contact the maker of their device and/or doctor for advice before operating this power tool.

Personal safety

1. **Stay alert, watch what you are doing and use common sense when operating a power tool. Do not use a power tool while you are tired or under the influence of drugs, alcohol or medication.** A moment of inattention while operating power tools may result in serious personal injury.
2. **Use personal protective equipment. Always wear eye protection.** Protective equipment such as a dust mask, non-skid safety shoes, hard hat or hearing protection used for appropriate conditions will reduce personal injuries.
3. **Prevent unintentional starting. Ensure the switch is in the off-position before connecting to power source and/or battery pack, picking up or carrying the tool.** Carrying power tools with your finger on the switch or energising power tools that have the switch on invites accidents.
4. **Remove any adjusting key or wrench before turning the power tool on.** A wrench or a key left attached to a rotating part of the power tool may result in personal injury.
5. **Do not overreach. Keep proper footing and balance at all times.** This enables better control of the power tool in unexpected situations.
6. **Dress properly. Do not wear loose clothing or jewellery. Keep your hair and clothing away from moving parts.** Loose clothes, jewellery or long hair can be caught in moving parts.
7. **If devices are provided for the connection of dust extraction and collection facilities, ensure these are connected and properly used.** Use of dust collection can reduce dust-related hazards.
8. **Do not let familiarity gained from frequent use of tools allow you to become complacent and ignore tool safety principles.** A careless action can cause severe injury within a fraction of a second.

9. **Always wear protective goggles to protect your eyes from injury when using power tools. The goggles must comply with ANSI Z87.1 in the USA, EN 166 in Europe, or AS/NZS 1336 in Australia/New Zealand. In Australia/New Zealand, it is legally required to wear a face shield to protect your face, too.**



It is an employer's responsibility to enforce the use of appropriate safety protective equipments by the tool operators and by other persons in the immediate working area.

Power tool use and care

1. **Do not force the power tool. Use the correct power tool for your application.** The correct power tool will do the job better and safer at the rate for which it was designed.
2. **Do not use the power tool if the switch does not turn it on and off.** Any power tool that cannot be controlled with the switch is dangerous and must be repaired.
3. **Disconnect the plug from the power source and/or remove the battery pack, if detachable, from the power tool before making any adjustments, changing accessories, or storing power tools.** Such preventive safety measures reduce the risk of starting the power tool accidentally.
4. **Store idle power tools out of the reach of children and do not allow persons unfamiliar with the power tool or these instructions to operate the power tool.** Power tools are dangerous in the hands of untrained users.
5. **Maintain power tools and accessories. Check for misalignment or binding of moving parts, breakage of parts and any other condition that may affect the power tool's operation. If damaged, have the power tool repaired before use.** Many accidents are caused by poorly maintained power tools.
6. **Keep cutting tools sharp and clean.** Properly maintained cutting tools with sharp cutting edges are less likely to bind and are easier to control.
7. **Use the power tool, accessories and tool bits etc. in accordance with these instructions, taking into account the working conditions and the work to be performed.** Use of the power tool for operations different from those intended could result in a hazardous situation.

8. **Keep handles and grasping surfaces dry, clean and free from oil and grease.** Slippery handles and grasping surfaces do not allow for safe handling and control of the tool in unexpected situations.
9. **When using the tool, do not wear cloth work gloves which may be entangled.** The entanglement of cloth work gloves in the moving parts may result in personal injury.

Battery tool use and care

1. **Recharge only with the charger specified by the manufacturer.** A charger that is suitable for one type of battery pack may create a risk of fire when used with another battery pack.
2. **Use power tools only with specifically designated battery packs.** Use of any other battery packs may create a risk of injury and fire.
3. **When battery pack is not in use, keep it away from other metal objects, like paper clips, coins, keys, nails, screws or other small metal objects, that can make a connection from one terminal to another.** Shorting the battery terminals together may cause burns or a fire.
4. **Under abusive conditions, liquid may be ejected from the battery; avoid contact. If contact accidentally occurs, flush with water. If liquid contacts eyes, additionally seek medical help.** Liquid ejected from the battery may cause irritation or burns.
5. **Do not use a battery pack or tool that is damaged or modified.** Damaged or modified batteries may exhibit unpredictable behaviour resulting in fire, explosion or risk of injury.
6. **Do not expose a battery pack or tool to fire or excessive temperature.** Exposure to fire or temperature above 130 °C may cause explosion.
7. **Follow all charging instructions and do not charge the battery pack or tool outside the temperature range specified in the instructions.** Charging improperly or at temperatures outside the specified range may damage the battery and increase the risk of fire.

Service

1. **Have your power tool serviced by a qualified repair person using only identical replacement parts.** This will ensure that the safety of the power tool is maintained.
2. **Never service damaged battery packs.** Service of battery packs should only be performed by the manufacturer or authorized service providers.
3. **Follow instruction for lubricating and changing accessories.**

Important safety instructions for the tool

⚠WARNING: Read all safety warnings and all instructions. Failure to follow the warnings and instructions may result in electric shock, fire and/or serious injury.

Save all warnings and instructions for future reference.

Intended use

1. This tool is only intended for cutting grass, weeds, bushes and undergrowth. It should not be used for any other purpose such as edging or hedge cutting as this may cause injury.

General instructions

1. Never allow people unfamiliar with these instructions, people (including children) with reduced physical, sensory or mental capabilities, or lack of experience and knowledge to use the tool. Children should be supervised to ensure that they do not play with the tool.
2. Before starting the tool, read this instruction manual to become familiar with the handling of the tool.
3. Do not lend the tool to a person with insufficient experience or knowledge regarding handling of brushcutters and string trimmers.
4. When lending the tool, always attach this instruction manual.
5. Handle the tool with the utmost care and attention.
6. Never use the tool after consuming alcohol or drugs, or if feeling tired or ill.
7. Never attempt to modify the tool.
8. Follow the regulations about handling of brushcutters and string trimmers in your country.

Personal protective equipment

► Fig.1

1. Wear safety helmet, protective goggles and protective gloves to protect yourself from flying debris or falling objects.
2. Wear ear protection such as ear muffs to prevent hearing loss.
3. Wear proper clothing and shoes for safe operation, such as a work overall and sturdy, non-slip shoes. Do not wear loose clothing or jewelry. Loose clothes, jewelry or long hair can be caught in moving parts.
4. When touching the cutting blade, wear protective gloves. Cutting blades can cut bare hands severely.

Work area safety

1. Operate the tool under good visibility and daylight conditions only. Do not operate the tool in darkness or fog.
2. Do not operate the tool in explosive atmospheres, such as in the presence of flammable liquids, gases or dust. The tool creates sparks which may ignite the dust or fumes.
3. During operation, never stand on an unstable or slippery surface or a steep slope. During the cold season, beware of ice and snow and always ensure secure footing.
4. During operation, keep bystanders or animals at least 15 m away from the tool. Stop the tool as soon as someone approaches.

5. Never operate the tool while people, especially children, or pets are nearby.
6. Before operation, examine the work area for stones or other solid objects. They can be thrown or cause dangerous kickback and result in serious injury and/or property damage.
7. **⚠WARNING:** Use of this product can create dust containing chemicals which may cause respiratory or other illnesses. Some examples of these chemicals are compounds found in pesticides, insecticides, fertilizers and herbicides. Your risk from these exposures varies, depending on how often you do this type of work. To reduce your exposure to these chemicals: work in a well ventilated area, and work with approved safety equipment, such as those dust masks that are specially designed to filter out microscopic particles.

Electrical and battery safety

1. Do not expose the tool to rain or wet conditions. Water entering the tool will increase the risk of electric shock.
2. Do not use the tool if the switch does not turn it on and off. Any tool that cannot be controlled with the switch is dangerous and must be repaired.
3. Prevent unintentional starting. Ensure the switch is in the off-position before installing a battery pack, picking up or carrying the tool. Carrying the tool with your finger on the switch or energising the tool that have the switch on invites accidents.
4. Do not dispose of the battery(ies) in a fire. The cell may explode. Check with local codes for possible special disposal instructions.
5. Do not open or mutilate the battery(ies). Released electrolyte is corrosive and may cause damage to the eyes or skin. It may be toxic if swallowed.
6. Do not charge battery in rain, or in wet locations.
7. Avoid dangerous environment. Don't use the tool in dump or wet locations or expose it to rain. Water entering the tool will increase the risk of electric shock.
8. Do not charge the battery outdoors.
9. Do not handle charger, including charger plug, and charger terminals with wet hands.

Putting into operation

1. Before assembling or adjusting the tool, remove the battery cartridge.
2. Before handling the cutter blade, wear protective gloves.
3. Before installing the battery cartridge, inspect the tool for damages, loose screws/nuts or improper assembly. Sharpen blunt cutter blade. If the cutter blade is bent or damaged, replace it. Check all control levers and switches for easy action. Clean and dry the handles.

4. **Never attempt to switch on the tool if it is damaged or not fully assembled.** Otherwise serious injury may result.
5. **Adjust the shoulder harness and hand grip to suit the operator's body size.**
6. **When inserting a battery cartridge, keep the cutting attachment clear of your body and other object, including the ground.** It may rotate when starting and may cause injury or damage to the tool and/or property.
7. **Remove any adjusting key, wrench or blade cover before turning the tool on.** An accessory left attached to a rotating part of the tool may result in personal injury.
8. **The cutting tool has to be equipped with the guard. Never run the tool with damaged guards or without guards in place!**
9. **Make sure there are no electrical cables, water pipes, gas pipes etc. that could cause a hazard if damaged by use of the tool.**
13. **Never touch moving hazardous parts before the moving hazardous parts have come to a complete stop and the battery cartridge is removed.**
14. **If the cutting attachment hits stones or other hard objects, immediately turn the tool off. Then remove the battery cartridge and inspect the cutting attachment.**
15. **Check the cutting attachment frequently during operation for cracks or damages. Before the inspection, remove the battery cartridge and wait until the cutting attachment stops completely. Replace damaged cutting attachment immediately, even if it has only superficial cracks.**
16. **Never cut above waist height.**
17. **Before starting the cutting operation, wait until the cutting attachment reaches a constant speed after turning the tool on.**
18. **When using a cutting blade, swing the tool evenly in half-circle from right to left, like using a scythe.**
19. **Hold the tool by insulated gripping surfaces only, because the cutter blade may contact hidden wiring. Cutter blades contacting a "live" wire may make exposed metal parts of the tool "live" and could give the operator an electric shock.**
20. **Do not start the tool when the cutting tool is tangled with cut grass.**
21. **Before starting the tool, be sure that the cutting tool is not touching the ground and other obstacles such as a tree.**
22. **During operation always hold the tool with both hands. Never hold the tool with one hand during use.**
23. **Do not operate the tool in bad weather or if there is a risk of lightning.**

Operation

1. **In the event of an emergency, switch off the tool immediately.**
2. **If you feel any unusual condition (e.g. noise, vibration) during operation, switch off the tool and remove the battery cartridge. Do not use the tool until the cause is recognized and solved.**
3. **The cutting attachment continues to rotate for a short period after turning the tool off. Don't rush to contact the cutting attachment.**
4. **During operation, use the shoulder harness. Keep the tool on your right side firmly.**
5. **Do not overreach. Keep proper footing and balance at all times. Watch for hidden obstacles such as tree stumps, roots and ditches to avoid stumbling.**
6. **Always be sure of your footing on slopes.**
7. **Walk, never run.**
8. **Never work on a ladder or tree to avoid loss of control.**
9. **If the tool gets heavy impact or fall, check the condition before continuing work. Check the controls and safety devices for malfunction. If there is any damage or doubt, ask our authorized service center for the inspection and repair.**
10. **Take a rest to prevent loss of control caused by fatigue.** We recommend taking a 10 to 20-minute rest every hour.
11. **When you leave the tool, even if it is a short time, always remove the battery cartridge.** The unattended tool with the battery cartridge installed may be used by unauthorized person and cause serious accident.
12. **If grass or branches get caught between the cutting attachment and guard, always turn the tool off and remove the battery cartridge before cleaning.** Otherwise the cutting attachment may rotate unintentionally and cause serious injury.

Cutting tools

1. **Do not use a cutting tool which is not recommended by us.**
2. **Use an applicable cutting attachment for the job in hand.**
 - Nylon cutting heads (string trimmer heads) and plastic blades are suitable for trimming lawn grass.
 - Cutting blades are suitable for cutting weeds, high grasses, bushes, shrubs, underwood, thicket, and the like.
 - Never use other blades including metal multi-piece pivoting chains and flail blades. It may result in serious injury.
3. **Only use the cutting tool that are marked with a speed equal or higher than the speed marked on the tool.**
4. **Always keep your hands, face, and clothes away from the cutting tool when it is rotating.** Failure to do so may cause personal injury.
5. **Always use the cutting attachment guard properly suited for the cutting attachment used.**
6. **When using cutting blades, avoid kickback and always prepare for an accidental kickback. See the section for Kickback.**

7. When not in use, attach the blade cover onto the blade. Remove the cover before operation.

Kickback (Blade thrust)

1. Kickback (blade thrust) is a sudden reaction to a caught or bound cutting blade. Once it occurs, the tool is thrown sideways or toward the operator at great force and it may cause serious injury.
2. Kickback occurs particularly when applying the blade segment between 12 and 2 o'clock to solids, bushes and trees with 3 cm or larger diameter.

► Fig.2

3. To avoid kickback:

1. Apply the segment between 8 and 11 o'clock.
2. Never apply the segment between 12 and 2 o'clock.
3. Never apply the segment between 11 and 12 o'clock and between 2 and 5 o'clock, unless the operator is well trained and experienced and does it at his/her own risk.
4. Never use cutting blades close to solids, such as fences, walls, tree trunks and stones.
5. Never use cutting blades vertically, for such operations as edging and trimming hedges.

► Fig.3

Vibration

1. People with poor circulation who are exposed to excessive vibration may experience injury to blood vessels or the nervous system. Vibration may cause the following symptoms to occur in the fingers, hands or wrists: "Falling asleep" (numbness), tingling, pain, stabbing sensation, alteration of skin color or of the skin. If any of these symptoms occur, see a physician!
2. To reduce the risk of "white finger disease", keep your hands warm during operation and well maintain the tool and accessories.

Transport

1. Before transporting the tool, turn it off and remove the battery cartridge. Attach the cover to the cutting blade.
2. When transporting the tool, carry it in a horizontal position by holding the shaft.
3. When transporting the tool in a vehicle, properly secure it to avoid turnover. Otherwise damage to the tool and other baggage may result.

Maintenance

1. Have your tool serviced by our authorized service center, always using only genuine replacement parts. Incorrect repair and poor maintenance can shorten the life of the tool and increase the risk of accidents.
2. Before doing any maintenance or repair work or cleaning the tool, always turn it off and remove the battery cartridge.
3. Always wear protective gloves when handling the cutting blade.
4. Always clean dust and dirt off the tool. Never use gasoline, benzene, thinner, alcohol or the like for the purpose. Discoloration, deformation or cracks of the plastic components may result.
5. After each use, tighten all screws and nuts.
6. Do not attempt any maintenance or repair not described in the instruction manual. Ask our authorized service center for such work.
7. Always use our genuine spare parts and accessories only. Using parts or accessories supplied by a third party may result in the tool breakdown, property damage and/or serious injury.
8. Request our authorized service center to inspect and maintain the tool at regular interval.
9. Always keep the tool in good working condition. Poor maintenance can result in inferior performance and shorten the life of the tool.

Storage

1. Before storing the tool, perform full cleaning and maintenance. Remove the battery cartridge. Attach the cover to the cutting blade.
2. Store the tool in a dry and high or locked location out of reach of children.
3. Do not prop the tool against something, such as a wall. Otherwise it may fall suddenly and cause an injury.

First aid

1. Always have a first-aid kit close by. Immediately replace any item taken from the first aid kit.
2. When asking for help, give the following information:
 - Place of the accident
 - What happened
 - Number of injured persons
 - Nature of the injury
 - Your name

SAVE THESE INSTRUCTIONS.

⚠WARNING: DO NOT let comfort or familiarity with product (gained from repeated use) replace strict adherence to safety rules for the subject product. MISUSE or failure to follow the safety rules stated in this instruction manual may cause serious personal injury.

Important safety instructions for battery cartridge

1. Before using battery cartridge, read all instructions and cautionary markings on (1) battery charger, (2) battery, and (3) product using battery.
2. Do not disassemble or tamper with the battery cartridge. It may result in a fire, excessive heat, or explosion.
3. If operating time has become excessively shorter, stop operating immediately. It may result in a risk of overheating, possible burns and even an explosion.
4. If electrolyte gets into your eyes, rinse them out with clear water and seek medical attention right away. It may result in loss of your eyesight.
5. Do not short the battery cartridge:
 - (1) Do not touch the terminals with any conductive material.
 - (2) Avoid storing battery cartridge in a container with other metal objects such as nails, coins, etc.
 - (3) Do not expose battery cartridge to water or rain.

A battery short can cause a large current flow, overheating, possible burns and even a breakdown.

6. Do not store and use the tool and battery cartridge in locations where the temperature may reach or exceed 50 °C (122 °F).
7. Do not incinerate the battery cartridge even if it is severely damaged or is completely worn out. The battery cartridge can explode in a fire.
8. Do not nail, cut, crush, throw, drop the battery cartridge, or hit against a hard object to the battery cartridge. Such conduct may result in a fire, excessive heat, or explosion.
9. Do not use a damaged battery.
10. The contained lithium-ion batteries are subject to the Dangerous Goods Legislation requirements.

For commercial transports e.g. by third parties, forwarding agents, special requirement on packaging and labeling must be observed.
For preparation of the item being shipped, consulting an expert for hazardous material is required. Please also observe possibly more detailed national regulations.
Tape or mask off open contacts and pack up the battery in such a manner that it cannot move around in the packaging.
11. When disposing the battery cartridge, remove it from the tool and dispose of it in a safe place. Follow your local regulations relating to disposal of battery.
12. Use the batteries only with the products specified by Makita. Installing the batteries to non-compliant products may result in a fire, excessive heat, explosion, or leak of electrolyte.
13. If the tool is not used for a long period of time, the battery must be removed from the tool.

14. During and after use, the battery cartridge may take on heat which can cause burns or low temperature burns. Pay attention to the handling of hot battery cartridges.
15. Do not touch the terminal of the tool immediately after use as it may get hot enough to cause burns.
16. Do not allow chips, dust, or soil stuck into the terminals, holes, and grooves of the battery cartridge. It may cause heating, catching fire, burst and malfunction of the tool or battery cartridge, resulting in burns or personal injury.
17. Unless the tool supports the use near high-voltage electrical power lines, do not use the battery cartridge near high-voltage electrical power lines. It may result in a malfunction or breakdown of the tool or battery cartridge.
18. Keep the battery away from children.

SAVE THESE INSTRUCTIONS.

CAUTION: Only use genuine Makita batteries. Use of non-genuine Makita batteries, or batteries that have been altered, may result in the battery bursting causing fires, personal injury and damage. It will also void the Makita warranty for the Makita tool and charger.

Tips for maintaining maximum battery life

1. Charge the battery cartridge before completely discharged. Always stop tool operation and charge the battery cartridge when you notice less tool power.
2. Never recharge a fully charged battery cartridge. Overcharging shortens the battery service life.
3. Charge the battery cartridge with room temperature at 10 °C - 40 °C (50 °F - 104 °F). Let a hot battery cartridge cool down before charging it.
4. When not using the battery cartridge, remove it from the tool or the charger.
5. Charge the battery cartridge if you do not use it for a long period (more than six months).

PARTS DESCRIPTION

► Fig.4

1	Battery cartridge	2	Speed switching lever	3	Switch trigger	4	Lock-off button
5	Barrier	6	Protector	7	Loop handle	8	Hanger
9	Shoulder harness	-	-	-	-	-	-

ASSEMBLY

⚠ WARNING: Always be sure that the tool is switched off and battery cartridge is removed before carrying out any work on the tool. Failure to switch off and remove the battery cartridge may result in serious personal injury from accidental start-up.

⚠ WARNING: Never start the tool unless it is completely assembled. Operation of the tool in a partially assembled state may result in serious personal injury from accidental start-up.

Attaching the barrier

Attach the barrier to the loop handle using the screw on the barrier.

► Fig.5: 1. Barrier 2. Screw

⚠ CAUTION: After assembling the barrier, do not remove it. The barrier works as a safety part to prevent you from contacting the cutting blade accidentally.

Installing the protector

⚠ WARNING: Never use the tool without the guard illustrated in place. Failure to do so can cause serious personal injury.

⚠ CAUTION: Take care not to injure yourself on the cutter for cutting the nylon cord.

Attach the protector to the clamp using bolts.

► Fig.6: 1. Clamp 2. Bolt 3. Protector

After installing the protector, remove the cutter cover from the cutter.

► Fig.7: 1. Cutter 2. Cutter cover

Before installing the cutting tool, remove the nut, cup, and clamp washer from the spindle by turning the nut clockwise using the box wrench while holding down the spindle lock button.

► Fig.8: 1. Nut 2. Cup 3. Clamp washer 4. Spindle 5. Spindle lock button

Installing the cutting tool

NOTE: The type of the cutting tool(s) supplied as the standard accessory varies depending on the countries. The cutting tool is not included in some countries.

NOTE: Turn the tool upside down so that you can replace the cutting tool easily.

Cutter blade

⚠ CAUTION: When handling a cutter blade, always wear gloves and put the blade cover on the blade.

⚠ CAUTION: The cutter blade must be well polished, and free of cracks or breakage. If the cutter blade hits a stone during operation, stop the tool and check the cutter blade immediately.

⚠ CAUTION: Always use the cutter blade with the diameter described in the section for specifications.

► Fig.9: 1. Nut 2. Cup 3. Clamp washer 4. Cutter blade 5. Spindle 6. Guard 7. Spindle lock button

1. Mount the cutter blade onto the guard so that the arrows on the cutter blade and protector are pointing in the same direction.

► Fig.10: 1. Arrow

2. Put the clamp washer and cup onto the cutter blade.

3. While holding down the spindle lock button, tighten the nut securely by the box wrench.

► Fig.11: 1. Spindle lock button 2. Box wrench 3. Loosen 4. Tighten

To remove the cutting blade, loosen the nut while holding down the spindle lock button.

Nylon cutting head

NOTICE: Be sure to use genuine Makita nylon cutting head.

While holding down the spindle lock button, place the nylon cutting head onto the spindle and tighten it securely by hand.

► Fig.12: 1. Nylon cutting head 2. Spindle 3. Spindle lock button 4. Loosen 5. Tighten

To remove the nylon cutting head, loosen the nylon cutting head while holding down the spindle lock button.

Plastic blade

NOTICE: Be sure to use genuine Makita plastic blade.

While holding down the spindle lock button, place the plastic blade onto the spindle and tighten it securely by hand.

► **Fig.13:** 1. Plastic blade 2. Spindle 3. Spindle lock button 4. Loosen 5. Tighten

To remove the plastic blade, loosen the plastic blade while holding down the spindle lock button.

NOTE: You can also use the supplied hex wrench to install/remove the cutting tool. Insert the hex wrench to the hole as shown in the figure to lock the spindle.

► **Fig.14:** 1. Hex wrench 2. Hole

CAUTION: Always use the supplied wrenches to install/remove the cutting tool.

CAUTION: Be sure to remove the hex wrench inserted into the tool head after installing the cutting tool.

Hex wrench storage

CAUTION: Be careful not to leave the hex wrench inserted in the tool head. It may cause injury and/or damage to the tool.

When not in use, store the hex wrench as shown in the figure to keep it from being lost.

► **Fig.15:** 1. Loop handle 2. Hex wrench

FUNCTIONAL DESCRIPTION

WARNING: Always be sure that the tool is switched off and the battery cartridge is removed before adjusting or checking function on the tool. Failure to switch off and remove the battery cartridge may result in serious personal injury from accidental start-up.

Installing or removing battery cartridge

CAUTION: Always switch off the tool before installing or removing of the battery cartridge.

CAUTION: Hold the tool and the battery cartridge firmly when installing or removing battery cartridge. Failure to hold the tool and the battery cartridge firmly may cause them to slip off your hands and result in damage to the tool and battery cartridge and a personal injury.

► **Fig.16:** 1. Red indicator 2. Button 3. Battery cartridge

To remove the battery cartridge, slide it from the tool while sliding the button on the front of the cartridge.

To install the battery cartridge, align the tongue on the battery cartridge with the groove in the housing and slip it into place. Insert it all the way until it locks in place with a little click. If you can see the red indicator as shown in the figure, it is not locked completely.

CAUTION: Always install the battery cartridge fully until the red indicator cannot be seen. If not, it may accidentally fall out of the tool, causing injury to you or someone around you.

CAUTION: Do not install the battery cartridge forcibly. If the cartridge does not slide in easily, it is not being inserted correctly.

Tool / battery protection system

The tool is equipped with a tool/battery protection system. This system automatically cuts off power to the motor to extend tool and battery life. The tool will automatically stop during operation if the tool or battery is placed under one of the following conditions:

► **Fig.17:** 1. Indication lamp

Overload protection

If the tool gets into one of the following situation, the tool automatically stops and the indication lamp lights up:

- The tool is overloaded by entangled weeds or other debris.
- The cutting tool is locked.

In this situation, release the switch trigger and remove entangled weeds or debris if necessary. After that, pull the switch trigger again to resume.

CAUTION: If you need to remove the entangled weeds on the tool or release the locked cutting tool, be sure to turn the tool off before you start.

Overheat protection

When the tool or battery is overheated, the tool stops automatically and the indication lamp lights up. In this case, let the tool and battery cool before turning the tool on again.

Overdischarge protection

When the battery capacity is not enough, the indication lamp blinks. In this case, remove the battery from the tool and charge the battery cartridge, or change the battery cartridge to fully charged one.

NOTE: When the battery capacity runs out, the tool stops and indication lamp lights up.

Protections against other causes

Protection system is also designed for other causes that could damage the tool and allows the tool to stop automatically. Take all the following steps to clear the causes, when the tool has been brought to a temporary halt or stop in operation.

1. Turn the tool off, and then turn it on again to restart.
2. Charge the battery(ies) or replace it/them with recharged battery(ies).

3. Let the tool and battery(ies) cool down.

If no improvement can be found by restoring protection system, then contact your local Makita Service Center.

NOTICE: If the tool stops due to a cause not described above, refer to the section for troubleshooting.

Indicating the remaining battery capacity

Only for battery cartridges with the indicator

► Fig.18: 1. Indicator lamps 2. Check button

Press the check button on the battery cartridge to indicate the remaining battery capacity. The indicator lamps light up for a few seconds.

Indicator lamps			Remaining capacity
Lighted	Off	Blinking	
■	□	▧	75% to 100%
■ ■ ■ ■			50% to 75%
■ ■ □ □			25% to 50%
■ □ □ □			0% to 25%
▧ □ □ □			Charge the battery.
■ ■ □ □			The battery may have malfunctioned.
□ □ ■ ■			

NOTE: Depending on the conditions of use and the ambient temperature, the indication may differ slightly from the actual capacity.

NOTE: The first (far left) indicator lamp will blink when the battery protection system works.

Switch action

WARNING: Before installing the battery cartridge into the tool, always check to see that the switch trigger actuates properly and returns to the “OFF” position when released.

WARNING: For your safety, this tool is equipped with the lock-off button which prevents the tool from unintended starting. Never use the tool if it starts when you pull the switch trigger without pressing the lock-off button. Ask your local Makita Service Center for repairs.

WARNING: Never disable the lock function or tape down the lock-off button.

NOTICE: Do not pull the switch trigger forcibly without pressing the lock-off button. The switch may break.

► Fig.19: 1. Lock-off button 2. Switch trigger

To prevent the switch trigger from being accidentally pulled, a lock-off button is provided.

To start the tool, press the lock-off button and pull the switch trigger. Release the switch trigger to stop. The lock-off button can be pressed from either the right or left side.

Speed adjusting

You can select the tool speed by sliding the speed switching lever. To select the high speed, move the speed switching lever forward. To select the low speed, move the speed switching lever backward.

► Fig.20: (1) Low speed (2) High speed (3) Speed switching lever

Electric brake

This tool is equipped with an electric brake. If the tool consistently fails to quickly stop after the switch trigger is released, have the tool serviced at our service center.

CAUTION: This brake system is not a substitute for the protector. Never use the tool without the protector. An unguarded cutting tool may result in serious personal injury.

OPERATION

Attaching the shoulder harness

CAUTION: Always use the shoulder harness attached to the tool. Before operation, adjust the shoulder harness according to the user size to prevent fatigue.

CAUTION: Before operation, make sure that the shoulder harness is properly attached to the hanger on the tool.

CAUTION: When you use the tool in combination of the backpack-type power supply such as portable power pack, do not use the shoulder harness included in the tool package, but use the hanging band recommended by Makita.

If you put on the shoulder harness included in the tool package and the shoulder harness of the backpack-type power supply at the same time, removing the tool or backpack-type power supply is difficult in case of an emergency, and it may cause an accident or injury. For the recommended hanging band, ask Makita Authorized Service Centers.

Connect the hook of the shoulder harness to the hanger and put the shoulder harness on. Make sure that the tool is held securely by the shoulder harness.

► Fig.21: 1. Hook 2. Hanger

The shoulder harness features a means of quick release. Simply squeeze the sides of the buckle while holding the tool to release the tool from the shoulder harness.

► Fig.22: 1. Buckle

Correct handling of the tool

⚠ WARNING: Always position the tool on your right-hand side. Correct positioning of the tool allows for maximum control and will reduce the risk of serious personal injury caused by kickback.

⚠ WARNING: Be extremely careful to maintain control of the tool at all times. Do not allow the tool to be deflected toward you or anyone in the work vicinity. Failure to keep control of the tool could result in serious injury to the bystander and the operator.

⚠ WARNING: To avoid accident, leave more than 15m (50 ft) distance between operators when two or more operators work in one area. Also, arrange a person to observe the distance between operators. If someone or an animal enters the working area, immediately stop the operation.

⚠ CAUTION: If the cutting tool accidentally impacts a rock or hard object during operation, stop the tool and inspect for any damage. If the cutting tool is damaged, replace it immediately. Use of a damaged cutting tool may result in serious personal injury.

⚠ CAUTION: Remove the blade cover from the cutter blade when cutting the grass.

Correct positioning and handling allow optimum control and reduce the risk of injury caused by kickback.

► Fig.23

When using a nylon cutting head (bump & feed type)

The nylon cutting head is a dual string trimmer head provided with a bump & feed mechanism.

To feed out the nylon cord, tap the cutting head against the ground while rotating.

► Fig.24: 1. Most effective cutting area

NOTICE: The bump feed will not operate properly if the nylon cutting head is not rotating.

NOTE: If the nylon cord does not feed out while tapping the head, rewind/replace the nylon cord by following the procedures in the section for the maintenance.

MAINTENANCE

⚠ WARNING: Always be sure that the tool is switched off and battery cartridge is removed before attempting to perform inspection or maintenance on the tool. Failure to switch off and remove the battery cartridge may result in serious personal injury from accidental start-up.

NOTICE: Never use gasoline, benzene, thinner, alcohol or the like. Discoloration, deformation or cracks may result.

To maintain product SAFETY and RELIABILITY, repairs, any other maintenance or adjustment should be performed by Makita Authorized or Factory Service Centers, always using Makita replacement parts.

Replacing the nylon cord

⚠ WARNING: Use only the nylon cord with diameter specified in this instruction manual. Never use heavier line, metal wire, rope or the like. Failure to do so may cause damage to the tool and result in serious personal injury.

⚠ WARNING: Always remove the nylon cutting head from the tool when replacing the nylon cord.

⚠ WARNING: Make sure that the cover of the nylon cutting head is secured to the housing properly as described in this instruction manual. Failure to properly secure the cover may cause the nylon cutting head to fly apart resulting in serious personal injury.

Replace the nylon cord if it is not fed any more. The method of replacing the nylon cord varies depending on the type of the nylon cutting head.

95-M10L

► Fig.25: (1) Up to 4 m (2) 80 mm (3) 100 mm

96-M10L

► Fig.26: (1) Up to 4 m (2) 100 mm

Replacing the plastic blade

Replace the plastic blade if it is worn out or broken.

When installing the plastic blade, align the direction of the arrow on the blade with that of the protector.

► Fig.27: 1. Arrow on the protector

► Fig.28

► Fig.29: 1. Arrow on the blade

Grinding the metal blade

⚠ CAUTION: Before grinding the metal blade, make sure that the tool is switched off and the battery cartridge is removed from the tool.

NOTICE: If the metal blade has considerably deformed by grinding, replace the metal blade with new one.

NOTICE: When you grind the blade using the tool such as grinder, do not force the wheel to the blade so that the blade does not become hot. If the blade becomes hot, do not cool down the blade with water.

Grind the metal blade if it is worn out. Grind the metal blade as instructed in the figure. Grind all of 8 tips of blade in the same way.

► Fig.30: (1) 10 mm (2) 2 mm or more (3) Round shape

TROUBLESHOOTING

Before asking for repairs, conduct your own inspection first. If you find a problem that is not explained in the manual, do not attempt to dismantle the tool. Instead, ask Makita Authorized Service Centers, always using Makita replacement parts for repairs.

State of abnormality	Probable cause (malfunction)	Remedy
Motor does not run.	Battery cartridge is not installed.	Install the battery cartridge.
	Battery problem (under voltage)	Recharge the battery. If recharging is not effective, replace battery.
	The drive system does not work correctly.	Ask your local authorized service center for repair.
Motor stops running after a little use.	Battery's charge level is low.	Recharge the battery. If recharging is not effective, replace battery.
	Overheating.	Stop using of tool to allow it to cool down.
It does not reach maximum RPM.	Battery is installed improperly.	Install the battery cartridge as described in this manual.
	Battery power is dropping.	Recharge the battery. If recharging is not effective, replace battery.
	The drive system does not work correctly.	Ask your local authorized service center for repair.
Cutting tool does not rotate: ⇒ stop the machine immediately!	Foreign object such as a branch is jammed between the guard and the cutting tool.	Remove the foreign object.
	The drive system does not work correctly.	Ask your local authorized service center for repair.
Abnormal vibration: ⇒ stop the machine immediately!	One end of the nylon cord has been broken.	Tap the nylon cutting head against the ground while it is rotating to cause the cord to feed.
	The drive system does not work correctly.	Ask your local authorized service center for repair.
Cutting tool and motor cannot stop: ⇒ Remove the battery immediately!	Electric or electronic malfunction.	Remove the battery and ask your local authorized service center for repair.

OPTIONAL ACCESSORIES

⚠ WARNING: Only use the recommended accessories or attachments indicated in this manual. The use of any other accessory or attachment may result in serious personal injury.

⚠ CAUTION: These accessories or attachments are recommended for use with your Makita tool specified in this manual. The use of any other accessories or attachments might present a risk of injury to persons. Only use accessory or attachment for its stated purpose.

If you need any assistance for more details regarding these accessories, ask your local Makita Service Center.

- Cutter blade
- Nylon cutting head
- Nylon cord (cutting line)
- Plastic blade
- Makita genuine battery and charger

NOTE: Some items in the list may be included in the tool package as standard accessories. They may differ from country to country.

规格

型号:	DUR194	
把手类型	环形握把	
空载速度	2: 6,000 r/min 1: 4,500 r/min	
总长度 (不含切割工具)	1,580 mm	
尼龙线直径	2.0 mm	
适用切割工具 和切割直径	8齿刀片 (零件编号191Y44-2)	200 mm
	尼龙打草头 (零件编号198893-8、 191D89-4)	280 mm
	塑料刀片 (零件编号191Y45-0)	230 mm
额定电压	D.C. 18 V	
净重	2.6 - 2.9 kg	

- 生产者保留变更规格不另行通知之权利。
- 规格可能因销往国家之不同而异。
- 重量因附件（包括电池组）而异。根据EPTA-Procedure 01/2014，最重与最轻的组合见表格。

适用电池组和充电器

电池组	BL1815N / BL1820B / BL1830B / BL1840B / BL1850B / BL1860B
充电器	DC18RC / DC18RD / DC18RE / DC18SD / DC18SE / DC18SF / DC18SH

- 部分以上所列电池组和充电器是否适用视用户所在地区而异。

⚠警告： 请仅使用以上所列电池组和充电器。使用其他类型的电池组或充电器可能会导致人身伤害和 / 或失火。














推荐的用电源线连接的电源

便携电源装置	PDC01
--------	-------

- 以上所列的用电源线连接的电源是否适用取决于用户所在地区。
- 在使用用电源线连接的电源之前，请先阅读使用说明和了解相关警示标识。

符号

以下显示本设备可能会使用的符号。在使用工具之前，请务必理解其含义。

	特别小心和注意。
	阅读使用说明书。
	保持最少15 m的距离。
	危险；注意抛掷物体。
	注意；防止反弹
	佩戴头盔、护目镜和耳罩。
	佩戴防护手套。
	穿戴具有防滑底的结实靴。建议穿戴铁头安全靴。
	警告：保养前断开电池。
	勿暴露于潮湿环境。
	仅限于欧盟国家 由于本设备中包含有害成分，因此废弃的电气和电子设备、蓄电池和普通电池可能会对环境和人体健康产生负面影响。请勿将电气和电子工具或电池与家庭普通废弃物放在一起处置！ 根据欧洲关于废弃电气电子设备、蓄电池和普通电池、废弃的蓄电池和普通电池的指令及其国家层面的修订法案，废弃的电气设备、普通电池和蓄电池应当单独存放并递送至城市垃圾收集点，根据环保法规进行处置。 此规定由标有叉形标志的带轮垃圾桶符号表示。
	保证声功率级别符合欧盟室外噪音指令。
	声功率级别符合澳大利亚NSW噪音控制规定

安全警告

电动工具通用安全警告

警告： 阅读随电动工具提供的所有安全警告、说明、图示和规定。不遵照以下所列说明会导致电击、着火和 / 或严重伤害。

保存所有警告和说明书以备查阅。

警告中的术语“电动工具”是指市电驱动（有线）电动工具或电池驱动（无线）电动工具。

工作场地的安全

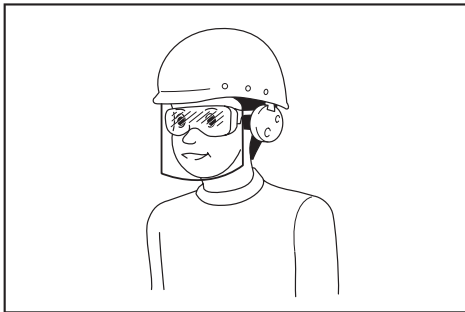
1. 保持工作场地清洁和明亮。杂乱和昏暗的场地会引发事故。
2. 不要在易爆环境，如有易燃液体、气体或粉尘的环境下操作电动工具。电动工具产生的火花会点燃粉尘或气体。
3. 操作电动工具时，远离儿童和旁观者。注意力不集中会使你失去对工具的控制。

电气安全

1. 电动工具插头必须与插座相配。绝不能以任何方式改装插头。需接地的电动工具不能使用任何转换插头。未经改装的插头和相配的插座将降低电击风险。
2. 避免人体接触接地表面，如管道、散热片和冰箱。如果你身体接触接地表面会增加电击风险。
3. 不得将电动工具暴露在雨中或潮湿环境中。水进入电动工具将增加电击风险。
4. 不得滥用软线。绝不能用软线搬运、拉动电动工具或拔出其插头。使软线远离热源、油、锐边或运动部件。受损或缠绕的软线会增加电击风险。
5. 当在户外使用电动工具时，使用适合户外使用的延长线。适合户外使用的电线将降低电击风险。
6. 如果无法避免在潮湿环境中操作电动工具，应使用带有剩余电流装置（RCD）保护的电源。RCD的使用可降低电击风险。
7. 电动工具会产生对用户无害的电磁场（EMF）。但是，起搏器和其他类似医疗设备的用户应在操作本电动工具前咨询其设备的制造商和 / 或医生寻求建议。

人身安全

1. 保持警觉，当操作电动工具时关注所从事的操作并保持清醒。当你感到疲倦，或在有药物、酒精或治疗反应时，不要操作电动工具。在操作电动工具时瞬间的疏忽会导致严重人身伤害。
2. 使用个人防护装置。始终佩戴护目镜。防护装置，诸如适当条件下使用防尘面具、防滑安全鞋、安全帽、听力防护等装置能减少人身伤害。
3. 防止意外起动。在连接电源和/或电池包、拿起或搬运工具前确保开关处于关闭位置。手指放在开关上搬运工具或开关处于接通时通电会导致危险。
4. 在电动工具接通之前，拿掉所有调节钥匙或扳手。遗留在电动工具旋转零件上的扳手或钥匙会导致人身伤害。
5. 手不要过分伸展。时刻注意立足点和身体平衡。这样能在意外情况下能更好地控制住电动工具。
6. 着装适当。不要穿宽松衣服或佩戴饰品。让你的头发和衣服远离运动部件。宽松衣服、佩饰或长发可能会卷入运动部件。
7. 如果提供了与排屑、集尘设备连接用的装置，要确保其连接完好且使用得当。使用集尘装置可降低尘屑引起的危险。
8. 不要因为频繁使用工具而产生的熟悉感而掉以轻心，忽视工具的安全准则。某个粗心的动作可能在瞬间导致严重的伤害。
9. 使用电动工具时请始终佩带护目镜以免伤害眼睛。护目镜须符合美国ANSI Z87.1、欧洲EN 166或者澳大利亚/新西兰的AS/NZS 1336的规定。在澳大利亚/新西兰，法律要求佩带面罩保护脸部。



雇主有责任监督工具操作者和其他近工作区域人员佩带合适的安全防护设备。

电动工具使用和注意事项

1. 不要勉强使用电动工具，根据用途使用合适的电动工具。选用合适的按照额定值设计的电动工具会使你工作更有效、更安全。
2. 如果开关不能接通或关断电源，则不能使用该电动工具。不能通过开关来控制的电动工具是危险的且必须进行修理。
3. 在进行任何调节、更换附件或贮存电动工具之前，必须从电源上拔掉插头和/或卸下电池包（如可拆卸）。这种防护性的安全措施降低了电动工具意外起动的风险。
4. 将闲置不用的电动工具贮存在儿童所及范围之外，并且不允许不熟悉电动工具和不了解这些说明的人操作电动工具。电动工具在未经培训的使用者手中是危险的。
5. 维护电动工具及其附件。检查运动部件是否调整到位或卡住，检查零件破损情况和影响电动工具运行的其他状况。如有损坏，应在使用前修理好电动工具。许多事故是由维护不良的电动工具引发的。
6. 保持切削刀具锋利和清洁。维护良好地有锋利切削刃的刀具不易卡住而且容易控制。
7. 按照使用说明书，并考虑作业条件和要进行的作业来选择电动工具、附件和工具的刀头等。将电动工具用于那些与其用途不符的操作可能会导致危险情况。
8. 保持手柄和握持表面干燥、清洁，不得沾有油脂。在意外的情况下，湿滑的手柄不能保证握持的安全和对工具的控制。
9. 使用本工具时，请勿佩戴可能会缠绕的布质工作手套。布质工作手套卷入移动部件可能会造成人身伤害。

电池式工具使用和注意事项

1. 仅使用生产者规定的充电器充电。将适用于某种电池包的充电器用到其他电池包时可能会发生着火危险。
2. 仅使用配有专用电池包的电动工具。使用其他电池包可能会产生伤害和着火危险。
3. 当电池包不用时，将它远离其他金属物体，例如回形针、硬币、钥匙、钉子、螺钉或其他小金属物体，以防电池包一端与另一端连接。电池组端部短路可能会引起燃烧或着火。

- 在滥用条件下，液体可能会从电池组中溅出；应避免接触。如果意外碰到液体，用水冲洗。如果液体碰到了眼睛，还应寻求医疗帮助。从电池中溅出的液体可能会发生腐蚀或燃烧。
- 不要使用损坏或改装过的电池包或工具。损坏或改装过的电池组可能呈现无法预测的结果，导致着火、爆炸或伤害。
- 不要将电池包暴露于火或高温中。电池包暴露于火或高于130 °C的高温中可能导致爆炸。
- 遵循所有充电说明。不要在说明书中指定的温度范围之外给电池包或电动工具充电。不正确或在指定的温度范围外充电可能会损坏电池和增加着火的风险。
- 使用工具时请务必特别小心谨慎。
- 切勿在饮酒或服药后以及疲劳、身体不适时使用工具。
- 切勿尝试改装工具。
- 请遵循当地割草机和割灌机的相关法规。

个人防护设备

► 图片1

- 请佩戴安全头盔，护目镜和防护手套以免受飞溅碎片或掉落物体的伤害。
- 请佩戴耳罩等护耳设备以免听力受损。
- 请穿着合适的衣服和鞋（例如工作服和具有防滑底的结实靴）以确保操作安全。请勿穿着宽松的衣服或佩戴首饰。宽松的衣服、首饰或长发会被卷入运动部件中。
- 接触刀片时，请佩戴防护手套。刀片会严重割伤裸手。

维修

- 让专业维修人员使用相同的备件维修电动工具。这将保证所维修的电动工具的安全。
- 决不能维修损坏的电池包。电池包仅能由生产者或其授权的维修服务商进行维修。
- 上润滑油及更换附件时请遵循本说明书指示。

工作区域安全事项

- 仅可在可视性良好且光线充足的情况下操作本工具。切勿在黑暗或雾霾环境中操作本工具。
- 请勿在易爆环境，如有可燃性液体、气体或粉尘的环境下操作本工具。本工具产生的火花可能会引燃粉尘或气体。
- 操作期间，切勿站在打滑不稳的表面或陡坡上。寒冷季节，请警惕冰雪并时刻确保立足稳固。
- 操作期间，请使旁观者或动物远离工具至少15 m的距离。有人接近时，请立即停止工具。
- 切勿在附近有人（特别是儿童）或宠物的情况下操作本工具。
- 操作前，请检查工作区域是否有石子或其他坚硬物体。它们可能会被抛起或造成危险性回弹从而导致严重的人身伤害和/或财产损失。
- 警告：**使用本机时产生的粉尘含化学物质，可能会导致呼吸类疾病或其他疾病。例如其中一些化学物质为杀虫剂，农药，化肥和除草剂中含有的化合物。根据您的进行该类型作业的频率，您暴露于这些化学物质的危险程度有所不同。为尽量避免受到这些化学物质的影响：请保持工作区域通风良好，并使用认可的安全设备，如专门用于过滤精细微粒的防尘面罩等。

关于工具的重要安全注意事项

警告：请通读所有的安全警告和所有的说明事项。若不遵循警告和说明事项，可能导致触电、起火和/或严重的人身伤害。

请保留所有的警告和说明事项，以备日后参考。

用途

- 本工具仅设计用于切割青草、杂草、灌木与下层木。不应将其用作其他用途，如修边或树篱切割，否则可能会造成人身伤害。

一般指南

- 切勿让不熟悉操作说明的人员，体力、感觉及心智不健全者（包括小孩），或缺乏经验和知识的人员使用本工具。应看管好儿童，勿让其玩耍本工具。
- 启动工具前，请阅读使用说明书熟悉本工具的操作方法。
- 切勿将本工具借予缺乏割草机和割灌机操作经验或知识的人员。
- 借出本工具时，请务必附上使用说明书。

电气和电池安全

1. 请勿将本工具暴露在雨水或潮湿的环境中。工具受潮将增加触电的危险。
2. 如果工具的开关无法使工具开启和关闭，则请勿使用该工具。任何无法通过开关控制的工具都非常危险，必须进行维修。
3. 防止意外启动。在安装电池组，拿起或搬运工具之前，请确保开关处于关闭位置。搬运工具时手指放在开关上或者在开关打开的情况下给工具通电会招致意外情况发生。
4. 请勿将电池弃于火中。否则会引起电池爆炸。请查阅当地法规了解适当的特殊处理说明。
5. 请勿打开或拆解电池。溢出的电解质具有腐蚀性，可能会对眼睛或皮肤造成伤害。吞服则有致毒危险。
6. 请勿在雨中或潮湿的地方充电。
7. 避免危险的环境。请勿在潮湿或淋雨的环境下使用工具。工具受潮将增加触电的风险。
8. 勿在室外对电池充电。
9. 请勿用湿手操作充电器，包括充电器插头和充电器端子。

进行操作

1. 在组装或调节本工具前，请拆下电池组。
2. 处理刀片前，请佩戴防护手套。
3. 安装电池组前，请检查工具是否存在损坏，螺丝 / 螺母松动或者组装不当。请打磨变钝的刀片。如果刀片弯折或损坏，请更换。请检查并确保所有的控制杆和按钮可以正常工作。清洁并擦干把手。
4. 如果工具有损坏或未安装完毕，切勿尝试启动本工具。否则可能会导致严重的人身伤害。
5. 请根据操作者的身材合理调节肩带和手柄。
6. 插入电池组时，请保持切割装置远离身体或其它物体，包括地面。安装时切割装置可能会旋转导致人身伤害，或工具和 / 或财产损坏。
7. 在启动工具之前请取下所有的调节钥匙，扳手或刀片罩。如果工具的旋转部件上留有附件，则可能会导致人身伤害。
8. 切割工具必须配有保护罩。切勿在保护罩受损或未将保护罩安装到位时运行工具！

9. 请确保不存在电缆、水管、煤气管道等，如果其因使用本工具而受损，可能会引起危险。

操作

1. 出现紧急事件时，请立刻关闭本工具。
2. 如果在操作期间感觉有任何异常情况（例如噪音、振动），请关闭本工具并取出电池组。找出并解决问题后方可使用本工具。
3. 关闭本工具后，切割装置会在短时间内继续旋转。切勿急于触摸切割装置。
4. 操作期间，请使用肩带。使工具牢固位于身体右侧。
5. 操作时手不要伸得太长。操作时请双脚站稳，始终保持平衡。注意观察是否有隐藏的障碍物，例如树桩，树根和沟渠等以免被绊倒。
6. 在斜坡上时确保立足稳固。
7. 操作时请行走，切勿跑动。
8. 切勿在梯子或树上进行作业，以免失控。
9. 如果工具遭到严重撞击或摔落，请在继续工作前检查状态。检查控制和安全设备是否存在故障。如果有任何损坏或疑问，请联系我们的授权维修中心进行检查和修复。
10. 注意休息，以免疲劳操作导致失控。建议每隔1小时休息10到20分钟。
11. 如要离开工具，即使是短时间离开，也请务必拆下电池组。无人照看装有电池组的工具时，工具可能会被闲杂人员使用，并导致严重事故。
12. 如果有草或树枝卡在切割装置和保护罩之间，清理前请务必关闭工具并拆下电池组。否则切割装置可能会意外旋转导致人身伤害。
13. 在危险的运动部件完全停止并拆下电池组之前，切勿触摸危险的运动部件。
14. 如果切割装置碰撞到石头或其他硬物，请立刻关闭工具。然后拆下电池组并检查切割装置。
15. 操作期间，请经常检查切割装置是否有裂痕或损坏。检查前，请拆下电池组并等待切割装置完全停止。必须立刻更换损坏的切割装置，即使只是表面的浅裂痕也要及时更换。
16. 切勿在腰部高度以上进行切割。
17. 开始切割操作前，请在打开工具后等待切割装置达到恒速。

18. 使用切割刀片时，从右至左均匀地半圆摆动工具（如同使用镰刀）。
19. 因为刀片可能会接触到隐藏的电线，操作工具时仅可抓握绝缘把手。刀片接触到带电的电线时，工具上曝露的金属部分可能也会带电，并使操作者触电。
20. 切割工具与草缠结时，请勿启动工具。
21. 启动工具前，确保切割工具未与地面和树木等其他障碍物接触。
22. 操作时务必用双手握住工具。切勿在使用时仅用一只手握住工具。
23. 不要在恶劣天气或雷电天气下操作工具。
3. 除非操作者训练有素并经验丰富且自己承担后果，否则请勿使用**11**和**12**点以及**2**点至**5**点之间的刀片部位进行切割。
4. 切勿在栅栏，围墙，树干和石头等硬物附近使用刀片。
5. 切勿垂直使用锯片进行边缘或树篱修剪等操作。

► 图片3

振动

1. 血液循环不畅的人在过度振动的环境下可能会导致血管或神经系统损害。振动可能会导致手指，手掌或手腕产生以下症状：“无知觉”（麻木）、刺痛、疼痛、刺痛感、皮肤或皮肤颜色发生变化。如果出现以上任何一种症状，请就医！
2. 为减少罹患“白指病”的风险，在操作期间请保持手部温暖并保养好工具和附件。

运输

1. 运输本工具前，请关闭工具并拆下电池组。为刀片安装防护罩。
2. 运输本工具时，持握轴部水平携带。
3. 使用车辆运输本工具时，请将其固定以免翻滚。否则可能会损坏工具或其它行李。

保养

1. 请在授权维修中心进行维修，仅使用原装正品替换部件。修理错误和保养不当会减少工具的使用寿命并增加发生事故的几率。
2. 在对本工具进行保养或修理工作或清洁前，请务必关闭工具并拆下电池组。
3. 处理刀片时，请务必佩戴手套。
4. 请务必清理工具上的灰尘和泥土。切勿使用汽油、苯、稀释剂、酒精或类似物品清洁工具。否则可能会导致塑料部件变色，变形或产生裂纹。
5. 每次使用完毕，请拧紧所有螺丝或螺母。
6. 请勿尝试进行本使用说明书中未提及的保养或修理。请授权维修中心进行此类工作。
7. 请仅使用原装正品配件和附件。使用第三方提供的配件或附件可能会导致工具故障，财产损失和/或严重的人身伤害。
8. 请定期要求授权维修中心检查并维护工具。

切割工具

1. 请勿使用我们未推荐的切割工具。
2. 请使用适用的切割装置进行手头的工作。
 - 尼龙打草头（电动打草机头）和塑料刀片适用于修剪草坪。
 - 而切割刀片适用于切割杂草、高杆草、灌木、下层木，植丛等。
 - 切勿使用其他刀片，包括金属多边旋转链和连枷刀片。可能会导致严重的人身伤害。
3. 仅使用所标示的速度等于或大于工具上所标示的速度的切割工具。
4. 务必确保手部、脸部和衣物等远离旋转的切割工具。否则可能会导致人身伤害。
5. 请务必使用适合当前所用切割装置的切割装置保护罩。
6. 使用切割刀片时，请避免“反弹”并随时留意意外的反弹。请参见“反弹”章节。
7. 不用时，请将刀片罩装到刀片上。操作前请拆下护罩。

反弹（刀片逆冲）

1. 反弹（刀片逆冲）是正在旋转的刀片受阻或卡滞时突然产生的反作用力。一旦出现这种情况，本工具会被相当大的作用力弹到旁边或弹向操作者，可能会导致严重的人身伤害。
2. 反弹特别容易发生在使用刀片的**12**点至**2**点区段部位切割灌木、树干等直径超过**3 cm**的硬物时。

► 图片2

3. 为避免反弹：
 1. 请使用**8**点和**11**点刀片部位进行切割。
 2. 切勿使用**12**点和**2**点刀片部位进行切割。

9. 务必保持工具处于良好的工作状态。保养不当会导致性能下降和缩短工具的使用寿命。

存放

1. 存放本工具前，进行全面清洁和维护。取出电池组。为刀片安装防护罩。
2. 请将本工具放置在干燥的高处或加锁位置，避免儿童接触。
3. 请勿将本工具倚靠在墙上或其他物体上。否则可能会摔落导致人身伤害。

急救

1. 请确保附近有急救箱可用。立即更换取自急救箱中的所有物品。
2. 寻求帮助时，请给出以下信息：
 - 事故地点
 - 事故经过
 - 受伤人数
 - 受伤性质
 - 您的姓名

请保留此说明书。

警告： 请勿为图方便或因对产品足够熟悉（由于重复使用而获得的经验）而不严格遵循相关产品安全规则。使用不当或不遵循使用说明书中的安全规则会导致严重的人身伤害。

电池组的重要安全注意事项

1. 在使用电池组之前，请仔细通读所有的说明以及（1）电池充电器，（2）电池，以及（3）使用电池的产品上的警告标记。
2. 切勿拆卸或改装电池组。否则可能引起火灾、过热或爆炸。
3. 如果机器运行时间变得过短，请立即停止使用。否则可能会导致过热、起火甚至爆炸。
4. 如果电解液进入您的眼睛，用清水将其冲洗干净并立即就医。否则可能会导致视力受损。
5. 请勿使电池组短路：
 - (1) 请勿使任何导电材料碰触到端子。
 - (2) 避免将电池组与其他金属物品如钉子、硬币等放置在同一容器内。
 - (3) 请勿将电池组置于水中或使其淋雨。电池短路将产生大的电流，导致过热，并可能导致起火甚至击穿。

6. 请勿在温度可能达到或超过50°C（122°F）的场所存放以及使用工具和电池组。
7. 即使电池组已经严重损坏或完全磨损，也请勿焚烧电池组。电池组会在火中爆炸。
8. 请勿对电池组射钉，或者切削、挤压、抛掷、掉落电池组，又或者用硬物撞击电池组。否则可能引起火灾、过热或爆炸。
9. 请勿使用损坏的电池。
10. 本工具附带的锂离子电池需符合危险品法规要求。

第三方或转运代理等进行商业运输时，应遵循包装和标识方面的特殊要求。有关运输项目的准备作业，咨询危险品方面的专业人士。同时，请遵守可能更为详尽的国家法规。

请使用胶带保护且勿遮掩表面的联络信息，并牢固封装电池，使电池在包装内不可动。
11. 丢弃电池组时，需将其从工具上卸下并在安全地带进行处理。关于如何处理废弃的电池，请遵循当地法规。
12. 仅将电池用于Makita（牧田）指定的产品。将电池安装至不兼容的产品会导致起火、过热、爆炸或电解液泄漏。
13. 如长时间未使用工具，必须将电池从工具内取出。
14. 使用工具期间以及使用工具之后，电池组温度可能较高易引起灼伤或低温烫伤。处理高温电池组时请小心操作。
15. 在使用工具后请勿立即触碰工具的端子，否则可能引起灼伤。
16. 避免锯屑、灰尘或泥土卡入电池组的端子、孔口和凹槽内。否则可能会导致过热、着火、爆炸和工具/电池组故障，导致烫伤或人身伤害。
17. 除非工具支持在高压电源线路附近使用，否则请勿在高压电源线路附近使用电池组。否则可能导致工具或电池组故障或失常。
18. 确保电池远离儿童。

请保留此说明书。

小心： 请仅使用Makita（牧田）原装电池。使用非Makita（牧田）原装电池或经过改装的电池可能会导致电池爆炸，从而造成火灾、人身伤害或物品受损。同时也会导致牧田工具和充电器的牧田保修服务失效。

保持电池最大使用寿命的提示

1. 在电池组电量完全耗尽前及时充电。发现工具电量低时，请停止工具操作，并给电池组充电。
2. 请勿对已充满电的电池组重新充电。过度充电将缩短电池的使用寿命。

3. 请在10 °C - 40 °C (50 °F - 104 °F) 的室温条件下给电池组充电。请在灼热的电池组冷却后再充电。
4. 不使用电池组时，请将其从工具或充电器上拆除。
5. 如果电池组长时间（超过六个月）未使用，请给其充电。

部件说明

► 图片4

1	电池组	2	变速杆	3	开关扳机	4	锁止按钮
5	挡杆	6	保护装置	7	环形手柄	8	吊扣
9	肩带	-	-	-	-	-	-

装配

⚠警告： 对工具进行任何装配操作前，请务必关闭工具电源，并取出电池组。未关闭电源并取出电池组可能会产生意外启动，导致严重的人身伤害。

⚠警告： 仅可在完整装配后启动工具。部分装配的情况下操作工具，将可能因意外启动而导致严重的人身伤害。

安装挡杆

使用挡杆上的螺丝将挡杆安装到环形把手上。

► 图片5: 1. 挡杆 2. 螺丝

⚠小心： 组装挡杆后，不要将其拆下。挡杆用作安全零件，可防止您意外接触刀片。

安装保护装置

⚠警告： 当图示的保护罩未安装到位时，请勿使用工具。否则会导致严重的人身伤害。

⚠小心： 切割尼龙线时，请小心避免刀片伤及自身。

用螺栓将保护装置安装到夹具上。

► 图片6: 1. 夹具 2. 螺栓 3. 保护装置

安装保护装置后，从刀片上取下刀片罩。

► 图片7: 1. 刀片 2. 刀片罩

安装切割工具前，按住主轴锁按钮的同时，使用套筒扳手顺时针旋转螺母，从主轴上拆下螺母、杯形护罩和锁紧垫圈。

► 图片8: 1. 螺母 2. 杯形护罩 3. 锁紧垫圈 4. 主轴 5. 主轴锁按钮

安装切割工具

注： 作为标准附件提供的切割工具类型因销往国家而异。某些国家不包括切割工具。

注： 将工具倒置后，可方便地更换切割工具。

刀片

⚠小心： 处理刀片时，务必佩戴手套并将刀片保护罩套在刀片上。

⚠小心： 刀片必须打磨良好，无裂缝或裂痕。如果在操作过程中刀片碰撞到石头，请立即停止工具并检查刀片。

⚠小心： 请始终使用规格章节中所述直径的刀片。

► 图片9: 1. 螺母 2. 杯形护罩 3. 锁紧垫圈 4. 刀片 5. 主轴 6. 保护罩 7. 主轴锁按钮

1. 将刀片安装到保护罩上，并确保刀片和保护装置上的箭头指向同一方向。

► 图片10: 1. 箭头

2. 将锁紧垫圈和杯形护罩放置于刀片上。

3. 按住主轴锁按钮的同时，用套筒扳手将螺母拧紧牢固。

- **图片11:** 1. 主轴锁按钮 2. 套筒扳手 3. 拧松 4. 拧紧

如需拆卸刀片，请按住主轴锁按钮，与此同时拧松螺母。

尼龙打草头

注意：务必使用原装Makita（牧田）尼龙打草头。

按住主轴锁按钮的同时，将尼龙打草头安装至主轴上并用手将其拧紧牢固。

- **图片12:** 1. 尼龙打草头 2. 主轴 3. 主轴锁按钮 4. 拧松 5. 拧紧

如需拆卸尼龙打草头，请按住主轴锁按钮，与此同时拧松尼龙打草头。

塑料刀片

注意：务必使用原装Makita（牧田）塑料刀片。

按住主轴锁按钮的同时，将塑料刀片安装至主轴上并用手将其拧紧牢固。

- **图片13:** 1. 塑料刀片 2. 主轴 3. 主轴锁按钮 4. 拧松 5. 拧紧

如需拆卸塑料刀片，请按住主轴锁按钮，与此同时拧松塑料刀片。

注：还可以使用附送的六角扳手安装/拆卸切割工具。将六角扳手插入图示中的孔内以锁定主轴。

- **图片14:** 1. 六角扳手 2. 孔

小心：请始终使用附送的扳手安装/拆卸切割工具。

小心：安装切割工具后，请务必取出插入到工具头的六角扳手。

六角扳手的存放

小心：请小心不要遗留插入到工具头中的六角扳手。否则，可能导致人身伤害和/或损坏工具。

不使用时，请如图所示贮存六角扳手以防丢失。

- **图片15:** 1. 环形手柄 2. 六角扳手

功能描述

警告：调节或检查工具功能之前，请务必关闭工具的电源并取出电池组。未关闭电源并取出电池组可能会产生意外启动，导致严重的人身伤害。

安装或拆卸电池组

小心：安装或拆卸电池组之前，请务必关闭工具电源。

小心：安装或拆卸电池组时请握紧工具和电池组。否则它们可能从您的手中滑落，导致工具和电池组受损，甚至造成人身伤害。

- **图片16:** 1. 红色指示器 2. 按钮 3. 电池组

拆卸电池组时，按下电池组前侧的按钮，同时将电池组从工具中抽出。

安装电池组时，要将电池组上的舌簧与外罩上的凹槽对齐，然后推滑到位。将其完全插入到位，直到锁定并发出咔哒声为止。若能看到图示中的红色指示器，则说明未完全锁紧。

小心：务必完全装入电池组，直至看不见红色指示器为止。否则，它可能会从工具中意外脱落，从而造成自身或他人受伤。

小心：请勿强行安装电池组。如果电池组难以插入，可能是插入方法不当。

工具 / 电池保护系统

本工具配备工具 / 电池保护系统。该系统可自动切断电机电源以延长工具和电池寿命。操作期间如果工具或电池处于以下任一情况，工具将会自动停止运转：

- **图片17:** 1. 指示灯

过载保护

如果工具处于以下任一状况，工具会自动停止运转并且指示灯亮起：

- 工具因缠结杂草或其他碎片而过载。
- 切割工具被锁定。

在这种情况下，请松开开关扳机，必要时应清除缠结的杂草或碎片。随后重新扣动开关扳机继续操作。

小心： 如果需要清除工具上缠结的杂草或解除切割工具锁定，请务必在开始前关闭工具。

过热保护

工具或电池过热时，工具会自动停止运转并且指示灯亮起。在这种情况下，重新开启工具前请使工具和电池冷却。

过放电保护

电池电量不足时，指示灯会闪烁。在这种情况下，请从工具取出电池并给电池组充电，或更换完全充满电的电池组。

注： 电池电量耗尽时，工具会停止运转并且指示灯亮起。

其他原因防护

保护系统还适用于其他可能导致工具受损的情况，从而使工具自动停止运转。工具暂时或中途停止工作时，执行以下所有步骤以排除异常原因。

1. 关闭工具，然后再次重新启动。
2. 给电池充电或更换为充电电池。
3. 请使工具和电池冷却。

如果保护系统恢复后仍无改善，请联络当地的Makita（牧田）维修服务中心。

注意： 如果工具因上述以外的原因停止运转，请参阅故障排除部分。

显示电池的剩余电量

仅限带指示灯的电池组

► **图片18：** 1. 指示灯 2. CHECK（查看）按钮

按电池组上的CHECK（查看）按钮可显示电池剩余电量。指示灯将亮起数秒。

指示灯			剩余电量
■ 点亮	□ 熄灭	▧ 闪烁	
■ ■ ■ ■			75%至100%
■ ■ ■ □			50%至75%
■ ■ □ □			25%至50%
■ □ □ □			0%至25%
▧ □ □ □			给电池充电。
■ ■ □ □ ↑ ↓ □ □ ■ ■			电池可能出现故障。

注： 在不同的使用条件及环境温度下，指示灯所示电量可能与实际情况略有不同。

注： 当电池保护系统启动时，第一个（最左侧）指示灯将闪烁。

开关操作

警告： 在将电池组插入工具之前，请务必检查开关扳机是否能扣动自如，松开时能否退回至“OFF”（关闭）位置。

警告： 为了您的安全，本工具配备了锁止按钮，可防止工具误启动。如果当您扣动开关扳机而没有按下锁止按钮时，工具即开始运行，则切勿使用此工具。请当地Makita（牧田）维修服务中心进行修复。

警告： 切勿禁用锁定功能或封住锁止按钮。

注意： 在没有按下锁止按钮的情况下，请勿用力扣动开关扳机。开关可能会损坏。

► **图片19：** 1. 锁止按钮 2. 开关扳机

为避免使用者不小心扣动开关扳机，本工具采用锁止按钮。

要启动工具时，按下锁止按钮，然后扣动开关扳机即可。松开开关扳机工具即停止。可以从右侧或左侧按锁止按钮。

速度调节

可通过滑动变速杆选择工具速度。要选择高速时，向前移动变速杆。要选择低速时，向后移动变速杆。

► **图片20:** (1) 低速 (2) 高速 (3) 变速杆

电动制动器

本工具配备有电动制动器装置。如果在松开开关扳机后，工具始终无法立即停机，则须交由我方维修中心进行维修。

⚠️小心： 本制动系统不可替代保护罩。未安装保护罩时，切勿使用工具。使用未采取防护措施的切割工具可能导致严重的人身伤害。

操作

安装肩带

⚠️小心： 务必使用随工具附带的肩带。操作前，将肩带调整到适合用户的长度以防止疲劳。

⚠️小心： 操作前，确保肩带被正确安装到工具上的吊扣。

⚠️小心： 将工具与便携电源装置等背负式电源组合使用时，请勿使用工具包装中附送的肩带，而应使用Makita（牧田）推荐的悬挂束带。

若同时佩戴工具包装中附送的肩带和背负式电源肩带，遭遇紧急情况时将难以卸下工具或背负式电源，由此可能会发生意外或导致人身伤害。有关推荐的悬挂束带，请咨询Makita（牧田）授权的维修服务中心。

连接肩带的挂钩和吊扣，然后装上肩带。确保工具被肩带牢牢固定住。

► **图片21:** 1. 挂钩 2. 吊扣

用户可快速解开肩带。只需在握住工具的同时挤压带扣两侧即可使工具脱离肩带。

► **图片22:** 1. 带扣

工具的正确操作

⚠️警告： 将工具置于右手侧。正确地摆放工具可最大程度地控制并降低因反弹造成损害的危险。

⚠️警告： 任何时候必须特别小心地控制工具。切勿使工具偏向自身或工作区域的任何人员。未能小心控制机器则可能使工具操作者或邻近人员受到严重伤害。

⚠️警告： 当2名或以上操作人员在同一区域作业时，他们之间应保持**15m (50 ft)**的距离，以免发生事故。此外，安排一人观察操作人员之间的距离。如果任何人员或动物进入工作区域，请立即停止作业。

⚠️小心： 如果在操作过程中切割工具意外碰撞到石头或硬物，请停止工具并检查是否受损。如果切割工具受损，请立即更换。使用受损的切割工具可能导致严重的人身伤害。

⚠️小心： 割草时，从刀片上取下刀片罩。

正确的布置和处理可实现最佳控制，并降低因反弹造成伤害的风险。

► **图片23**

使用尼龙打草头（碰撞馈送型）时

尼龙打草头是带有碰撞馈送机构的双电动打草机头。

要馈送尼龙绳，请在工具运转时使打草头触碰地面。

► **图片24:** 1. 主要有效切割区域

注意： 若尼龙打草头不旋转，则馈送无法正常进行。

注： 如果碰撞打草头时没有馈送尼龙绳，请按保养章节中的所述步骤重新缠绕 / 更换尼龙绳。

保养

警告： 检查或保养工具之前，请务必关闭工具电源并取出电池组。未关闭电源并取出电池组可能会产生意外启动，导致严重的人身伤害。

注意： 切勿使用汽油、苯、稀释剂、酒精或类似物品清洁工具。否则可能会导致工具变色、变形或出现裂缝。

为了保证产品的安全与可靠性，维修、任何其他维修保养或调节需由Makita（牧田）授权的或工厂维修服务中心完成。务必使用Makita（牧田）的替换部件。

更换尼龙线

警告： 仅可使用本使用说明书中指定直径的尼龙绳。切勿使用较重的线、金属丝线、绳子或类似物品。否则可能会导致工具受损和严重的人身伤害。

警告： 更换尼龙绳时，请务必从工具上取下尼龙打草头。

警告： 确保尼龙打草头护盖如说明书所述妥当固定在外罩上。若未恰当地固定盖板，则可能使尼龙打草头飞出，而导致严重的人身伤害。

如果不再馈送尼龙绳，请更换。尼龙绳的更换方法因尼龙打草头的类型而异。

95-M10L

- 图片25: (1) 不超过4 m (2) 80 mm
(3) 100 mm

96-M10L

- 图片26: (1) 不超过4 m (2) 100 mm

更换塑料刀片

塑料刀片磨损或受损时请更换。

安装塑料刀片时，将刀片上箭头的方向与保护器上箭头的方向对准。

- 图片27: 1. 保护器上的箭头
► 图片28
► 图片29: 1. 刀片上的箭头

打磨金属刀片

小心： 在打磨金属刀片之前，请务必关闭工具电源并从工具取出电池组。

注意： 如果金属刀片因打磨而严重变形，请更换新的金属刀片。

注意： 使用如磨光机等工具打磨刀片时，请勿用力将轮推至刀片，以免刀片变烫。如果刀片变烫，请勿用水冷却刀片。

金属刀片磨损时请打磨。请按图中说明打磨金属刀片。以相同方式打磨刀片的全部8个尖端。

- 图片30: (1) 10 mm (2) 2 mm或以上 (3) 圆形

故障排除

请求维修前，请首先自行检查。如果您发现本手册中未作说明的问题，请勿拆解工具。而请联络Makita（牧田）授权维修服务中心，务必使用Makita（牧田）的替换部件进行修复。

异常状态	可能原因（故障）	纠正措施
电机不旋转。	未安装电池组。	安装电池组。
	电池故障（欠压）	请给电池充电。如果充电无效，则更换电池。
	驱动系统未正常工作。	请当地授权的维修服务中心进行维修。
使用一段时间后电机不旋转。	电池电量低。	请给电池充电。如果充电无效，则更换电池。
	过热。	停止使用工具使之冷却。
未达到最大转速。	电池安装不当。	按本手册所述安装电池组。
	电池电力下降。	请给电池充电。如果充电无效，则更换电池。
	驱动系统未正常工作。	请当地授权的维修服务中心进行维修。
切割工具不旋转： ⇒ 立即停止机器！	如枝干等异物卡在保护罩和切割工具之间。	清除异物。
	驱动系统未正常工作。	请当地授权的维修服务中心进行维修。
异常振动： ⇒ 立即停止机器！	尼龙线的一端受损。	为方便馈送尼龙线，将旋转的打草头轻叩地面。
	驱动系统未正常工作。	请当地授权的维修服务中心进行维修。
切割工具和电机无法停止： ⇒ 立即卸下电池！	电力或电子故障。	拆下电池并请当地授权的维修服务中心进行修复。

选购附件

警告： 仅使用本说明书推荐的附件或装置。如使用其他厂牌附件或装置，则可能会导致严重的人身伤害。

小心： 这些附件或装置专用于本说明书所列的Makita（牧田）工具。如使用其他厂牌附件或装置，可能导致人身伤害。仅可将附件或装置用于规定目的。

- 尼龙线（切割线）
- 塑料刀片
- Makita（牧田）原装电池和充电器

注： 本列表中的一些部件可能作为标准配件包含于工具包装内。它们可能因销往国家之不同而异。

如您需要了解更多关于这些选购附件的信息，请咨询当地的Makita（牧田）维修服务中心。

- 刀片
- 尼龙打草头

SPESIFIKASI

Model:		DUR194
Jenis pegangan		Pegangan lingkaran
Kecepatan tanpa beban		2: 6.000 min ⁻¹ 1: 4.500 min ⁻¹
Panjang keseluruhan (tanpa alat pemotong)		1.580 mm
Diameter tali nilon		2,0 mm
Alat pemotong dan diameter pemotongan yang dapat digunakan	Mata pisau 8-gigi (P/N 191Y44-2)	200 mm
	Kepala pemotong nilon (P/N 198893-8, 191D89-4)	280 mm
	Bilah pisau plastik (P/N 191Y45-0)	230 mm
Tegangan terukur		D.C. 18 V
Berat bersih		2,6 - 2,9 kg

- Karena kesinambungan program penelitian dan pengembangan kami, spesifikasi yang disebutkan di sini dapat berubah tanpa pemberitahuan.
- Spesifikasi dapat berbeda dari satu negara ke negara lainnya.
- Berat alat mungkin berbeda tergantung perangkat tambahan yang dipasang, termasuk kartrid baterai. Kombinasi alat terberat dan teringan, sesuai Prosedur EPTA 01/2014, ditunjukkan pada tabel.

Kartrid dan pengisi daya baterai yang dapat digunakan

Kartrid baterai	BL1815N / BL1820B / BL1830B / BL1840B / BL1850B / BL1860B
Pengisi daya	DC18RC / DC18RD / DC18RE / DC18SD / DC18SE / DC18SF / DC18SH

- Beberapa kartrid baterai dan pengisi daya yang tercantum di atas mungkin tidak tersedia, tergantung wilayah tempat tinggal Anda.

⚠ PERINGATAN: Hanya gunakan kartrid dan pengisi daya baterai yang tercantum di atas. Penggunaan kartrid dan pengisi daya baterai lain dapat menimbulkan risiko cedera dan/atau kebakaran.

Sumber daya terhubung kabel yang direkomendasikan

Paket daya portabel	PDC01
---------------------	-------

- Sumber daya terhubung kabel yang tercantum di atas mungkin tidak tersedia, bergantung pada wilayah tempat tinggal Anda.
- Sebelum menggunakan sumber daya terhubung kabel, baca petunjuk dan perhatian yang ditandai padanya.

Simbol

Berikut ini adalah simbol-simbol yang dapat digunakan pada peralatan ini. Pastikan Anda memahami arti masing-masing simbol sebelum menggunakan peralatan.



Berhati-hatilah dan pusatkan perhatian Anda.



Baca petunjuk penggunaan.



Jaga jarak sedikitnya 15 m.



Bahaya; hati-hati terhadap objek yang terlempar.



Perhatian; hentakan balik








Gunakan helm, kaca mata pelindung, dan pelindung telinga.



Gunakan sarung tangan pelindung.



Gunakan sepatu bot yang kokoh dengan sol anti-selip. Disarankan menggunakan sepatu bot pelindung dengan pelindung jari dari baja.

	Peringatan; Lepaskan baterai sebelum melakukan pemeliharaan.
	Jangan biarkan lembab.
	Hanya untuk negara-negara UE Akibat adanya komponen berbahaya dalam peralatan, limbah peralatan listrik dan elektronik, aki dan baterai dapat memiliki dampak negatif pada lingkungan dan kesehatan manusia. Jangan buang peralatan listrik dan elektronik atau baterai bersama limbah rumah tangga! Sesuai dengan Petunjuk Eropa tentang limbah peralatan listrik dan elektronik dan tentang aki dan baterai serta limbah aki dan baterai, serta penyesuaiannya terhadap undang-undang nasional, limbah peralatan listrik, baterai dan aki harus disimpan secara terpisah dan dikirim ke tempat pengumpulan terpisah untuk sampah kota, beroperasi sesuai dengan peraturan tentang perlindungan lingkungan. Hal ini ditunjukkan dengan simbol tempat sampah bersilang yang ditempatkan pada peralatan.
	Level kekuatan suara terjamin sesuai dengan Petunjuk Kebisingan Di Luar Ruang Unif Eropa.
	Level kekuatan suara sesuai dengan Peraturan Kontrol Kebisingan NSW Australia

PERINGATAN KESELAMATAN

Peringatan keselamatan umum mesin listrik

⚠️ PERINGATAN: Bacalah semua peringatan keselamatan, petunjuk, ilustrasi dan spesifikasi yang disertakan bersama mesin listrik ini. Kelalaian untuk mematuhi semua petunjuk yang tercantum di bawah ini dapat menyebabkan sengatan listrik, kebakaran dan/atau cedera serius.

Simpanlah semua peringatan dan petunjuk untuk acuan di masa depan.

Istilah "mesin listrik" dalam semua peringatan mengacu pada mesin listrik yang dijalankan dengan sumber listrik jala-jala (berkabel) atau baterai (tanpa kabel).

Keselamatan tempat kerja

1. **Jaga tempat kerja selalu bersih dan berpenerangan cukup.** Tempat kerja yang berantakan dan gelap mengundang kecelakaan.

2. **Jangan gunakan mesin listrik dalam lingkungan yang mudah meledak, misalnya jika ada cairan, gas, atau debu yang mudah menyala.** Mesin listrik menimbulkan bunga api yang dapat menyala debu atau uap tersebut.
3. **Jauhkan anak-anak dan orang lain saat menggunakan mesin listrik.** Bila perhatian terpecah, anda dapat kehilangan kendali.

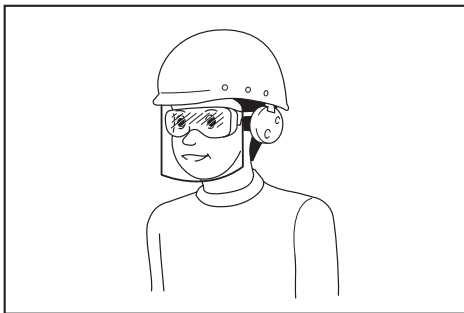
Keamanan Kelistrikan

1. **Steker mesin listrik harus cocok dengan stopkontak. Jangan sekali-kali mengubah steker dengan cara apa pun. Jangan menggunakan steker adaptor dengan mesin listrik terbumi (dibumikan).** Steker yang tidak diubah dan stopkontak yang cocok akan mengurangi risiko sengatan listrik.
2. **Hindari sentuhan tubuh dengan permukaan terbumi atau yang dibumikan seperti pipa, radiator, kompor, dan kulkas.** Risiko sengatan listrik bertambah jika tubuh Anda terbumikan atau dibumikan.
3. **Jangan membiarkan mesin listrik kehujanan atau kebasahan.** Air yang masuk ke dalam mesin listrik akan meningkatkan risiko sengatan listrik.
4. **Jangan menyalahgunakan kabel. Jangan sekali-kali menggunakan kabel untuk membawa, menarik, atau mencabut mesin listrik dari stopkontak. Jauhkan kabel dari panas, minyak, tepian tajam, atau bagian yang bergerak.** Kabel yang rusak atau kusut memperbesar risiko sengatan listrik.
5. **Bila menggunakan mesin listrik di luar ruangan, gunakan kabel ekstensi yang sesuai untuk penggunaan di luar ruangan.** Penggunaan kabel yang sesuai untuk penggunaan luar ruangan mengurangi risiko sengatan listrik.
6. **Jika mengoperasikan mesin listrik di lokasi lembap tidak terlindungi, gunakan pasokan daya yang dilindungi peranti imbasan arus (residual current device - RCD).** Penggunaan RCD mengurangi risiko sengatan listrik.
7. **Mesin listrik dapat menghasilkan medan magnet (EMF) yang tidak berbahaya bagi pengguna.** Namun, pengguna alat pacu jantung atau peralatan medis sejenisnya harus berkonsultasi dengan produsen peralatan tersebut dan/atau dokter mereka sebelum mengoperasikan mesin listrik ini.

Keselamatan Diri

1. **Jaga kewaspadaan, perhatikan pekerjaan Anda dan gunakan akal sehat bila menggunakan mesin listrik.** Jangan menggunakan mesin listrik saat Anda lelah atau di bawah pengaruh obat bius, alkohol, atau obat. Sekejap saja lalai saat menggunakan mesin listrik dapat menyebabkan cedera badan serius.
2. **Gunakan alat pelindung diri. Selalu gunakan pelindung mata.** Peralatan pelindung seperti masker debu, sepatu pengaman anti-selip, helm pengaman, atau pelindung telinga yang digunakan untuk kondisi yang sesuai akan mengurangi risiko cedera badan.

3. **Cegah penyalaan yang tidak disengaja.** Pastikan bahwa sakelar berada dalam posisi mati (off) sebelum menghubungkan mesin ke sumber daya dan/atau paket baterai, atau mengangkat atau membawanya. Membawa mesin listrik dengan jari Anda pada sakelarnya atau mengalirkan listrik pada mesin listrik yang sakelarnya hidup (on) akan mengundang kecelakaan.
4. **Lepaskan kunci-kunci penyetel sebelum menghidupkan mesin listrik.** Kunci-kunci yang masih terpasang pada bagian mesin listrik yang berputar dapat menyebabkan cedera.
5. **Jangan meraih terlalu jauh. Jagalah pijakan dan keseimbangan sepanjang waktu.** Hal ini memungkinkan kendali yang lebih baik atas mesin listrik dalam situasi yang tidak diharapkan.
6. **Kenakan pakaian yang memadai. Jangan memakai pakaian yang longgar atau perhiasan.** Jaga jarak antara rambut dan pakaian Anda dengan komponen mesin yang bergerak. Pakaian yang longgar, perhiasan, atau rambut yang panjang dapat tersangkut pada komponen yang bergerak.
7. **Jika tersedia fasilitas untuk menghisap dan mengumpulkan debu, pastikan fasilitas tersebut terhubung listrik dan digunakan dengan baik.** Penggunaan pembersih debu dapat mengurangi bahaya yang terkait dengan debu.
8. **Jangan sampai Anda lengah dan mengabaikan prinsip keselamatan mesin ini hanya karena sudah sering mengoperasikannya dan sudah merasa terbiasa.** Tindakan yang lalai dapat menyebabkan cedera berat dalam sepersekian detik saja.
9. **Selalu kenakan kacamata pelindung untuk melindungi mata dari cedera saat menggunakan mesin listrik.** Kacamata harus sesuai dengan ANSI Z87.1 di Amerika Serikat, EN 166 di Eropa, atau AS/NZS 1336 di Australia/Selandia Baru. Di Australia/Selandia Baru, secara hukum Anda juga diwajibkan mengenakan pelindung wajah untuk melindungi wajah Anda.



Menjadi tanggung jawab atasannya untuk menerapkan penggunaan alat pelindung keselamatan yang tepat bagi operator mesin dan orang lain yang berada di area kerja saat itu.

Penggunaan dan pemeliharaan mesin listrik

1. **Jangan memaksa mesin listrik. Gunakan mesin listrik yang tepat untuk keperluan Anda.** Mesin listrik yang tepat akan menuntaskan pekerjaan dengan lebih baik dan aman pada kecepatan sesuai rancangannya.
2. **Jangan gunakan mesin listrik jika sakelar tidak dapat menyala dan mematikannya.** Mesin listrik yang tidak dapat dikendalikan dengan sakelarnya adalah berbahaya dan harus diperbaiki.
3. **Cabut steker dari sumber listrik dan/atau lepas paket baterai, jika dapat dilepas, dari mesin listrik sebelum melakukan penyetelan apa pun, mengganti aksesoris, atau menyimpan mesin listrik.** Langkah keselamatan preventif tersebut mengurangi risiko hidupnya mesin secara tak sengaja.
4. **Simpan mesin listrik jauh dari jangkauan anak-anak dan jangan biarkan orang yang tidak paham mengenai mesin listrik tersebut atau petunjuk ini menggunakan mesin listrik.** Mesin listrik sangat berbahaya di tangan pengguna yang tak terlatih.
5. **Rawatlah mesin listrik dan aksesoris. Periksa apakah ada komponen bergerak yang tidak lurus atau macet, komponen yang pecah, dan kondisi-kondisi lain yang dapat memengaruhi pengoperasian mesin listrik. Jika rusak, perbaiki mesin listrik terlebih dahulu sebelum digunakan.** Banyak kecelakaan disebabkan oleh kurangnya pemeliharaan mesin listrik.
6. **Jaga agar mesin pemotong tetap tajam dan bersih.** Mesin pemotong yang terawat baik dengan mata pemotong yang tajam tidak mudah macet dan lebih mudah dikendalikan.
7. **Gunakan mesin listrik, aksesoris, dan mata mesin, dll. sesuai dengan petunjuk ini, dengan memperhitungkan kondisi kerja dan jenis pekerjaan yang dilakukan.** Penggunaan mesin listrik untuk penggunaan yang lain dari peruntukan dapat menimbulkan situasi berbahaya.
8. **Jagalah agar gagang dan permukaan pegangan tetap kering, bersih, dan bebas dari minyak dan pelumas.** Gagang dan permukaan pegangan yang licin tidak mendukung keamanan penanganan dan pengendalian mesin dalam situasi-situasi tak terduga.
9. **Ketika menggunakan mesin, jangan menggunakan sarung tangan kain yang dapat tersangkut.** Sarung tangan kain yang tersangkut pada komponen bergerak dapat mengakibatkan cedera pada pengguna.

Penggunaan dan pemeliharaan mesin bertenaga baterai

1. **Isi ulang baterai hanya dengan pengisi daya yang ditentukan oleh pabrikan.** Pengisi daya yang cocok untuk satu jenis paket baterai dapat menimbulkan risiko kebakaran ketika digunakan untuk paket baterai yang lain.
2. **Gunakan mesin listrik hanya dengan paket baterai yang telah ditentukan secara khusus.** Penggunaan paket baterai lain dapat menimbulkan risiko cedera dan kebakaran.

3. Ketika paket baterai tidak digunakan, jauhkan dari benda logam lain, seperti penjepit kertas, uang logam, kunci, paku, sekrup atau benda logam kecil lainnya, yang dapat menghubungkan satu terminal ke terminal lain. Hubungan singkat terminal baterai dapat menyebabkan luka bakar atau kebakaran.
4. Pemakaian yang salah, dapat menyebabkan keluarnya cairan dari baterai; hindari kontak. Jika terjadi kontak secara tidak sengaja, bilas dengan air. Jika cairan mengenai mata, cari bantuan medis. Cairan yang keluar dari baterai bisa menyebabkan iritasi atau luka bakar.
5. Jangan menggunakan paket baterai atau mesin yang sudah rusak atau telah diubah. Baterai yang rusak atau telah diubah dapat menyebabkan hal-hal yang tidak dapat diprediksi yang dapat menyebabkan kebakaran, ledakan atau risiko cedera.
6. Jangan membiarkan paket baterai atau mesin dekat dengan api atau suhu yang berlebihan. Paparan api atau suhu di atas 130 °C dapat menyebabkan ledakan.
7. Ikuti semua petunjuk pengisian daya dan jangan mengisi daya paket baterai atau mesin di luar rentang suhu yang ditentukan di panduan. Mengisi daya secara tidak tepat atau pada suhu di luar rentang yang ditentukan dapat merusak baterai dan meningkatkan risiko kebakaran.

Servis

1. Berikan mesin listrik untuk diperbaiki hanya kepada oleh teknisi yang berkualifikasi dengan menggunakan hanya suku cadang pengganti yang serupa. Hal ini akan menjamin terjaganya keamanan mesin listrik.
2. Jangan pernah memperbaiki paket baterai yang sudah rusak. Perbaikan paket baterai harus dilakukan hanya oleh produsen atau penyedia servis resmi.
3. Patuhi petunjuk pelumasan dan penggantian aksesoris.

Petunjuk keselamatan penting untuk mesin

⚠️ PERINGATAN: Bacalah semua peringatan keselamatan dan semua petunjuk. Kelalaian mematuhi peringatan dan petunjuk dapat menyebabkan sengatan listrik, kebakaran dan/atau cedera serius.

Simpanlah semua peringatan dan petunjuk untuk acuan di masa depan.

Tujuan penggunaan

1. Mesin ini hanya ditujukan untuk memotong rumput, semak-semak, belukar, dan gulma. Mesin ini tidak boleh digunakan untuk tujuan lain seperti memotong tepian atau memangkas pagar tanaman karena hal tersebut dapat menyebabkan cedera.

Petunjuk umum

1. Jangan pernah membiarkan seseorang yang belum memahami instruksi ini, orang (termasuk anak-anak) dengan keterbatasan fisik, sensorik atau mental, atau orang yang memiliki pengalaman dan pengetahuan yang minim untuk menggunakan mesin ini. Awasi anak-anak untuk memastikan mereka tidak bermain-main dengan mesin ini.
2. Sebelum menyalakan mesin, baca petunjuk penggunaan ini agar lebih memahami penggunaan mesin ini.
3. Jangan meminjamkan mesin kepada orang yang kurang berpengalaman atau tidak tahu cara untuk menangani pemotong rumput dan pemangkas bermata senar.
4. Ketika meminjamkan mesin, selalu sertakan petunjuk penggunaan ini.
5. Gunakan mesin dengan hati-hati.
6. Jangan pernah menggunakan mesin setelah mengonsumsi alkohol atau obat-obatan terlarang, atau ketika merasa capek atau sakit.
7. Jangan pernah mencoba untuk melakukan modifikasi pada mesin.
8. Patuhi peraturan mengenai penggunaan pemotong rumput dan pemangkas bermata senar di negara Anda.

Alat pelindung diri

► Gbr.1

1. Gunakan helm pengaman, kacamata pelindung, dan sarung tangan pelindung untuk melindungi diri dari serpihan yang terbang atau benda jatuh.
2. Gunakan pelindung telinga seperti sarung telinga untuk mencegah gangguan pendengaran.
3. Gunakan pakaian dan sepatu yang sesuai untuk penggunaan yang aman, seperti baju terusan kerja dan sepatu yang kuat, tidak licin. Jangan memakai pakaian yang kedodoran atau perhiasan. Pakaian kedodoran, perhiasan, atau rambut panjang dapat tersangkut pada bagian yang bergerak.
4. Gunakan sarung tangan pelindung, saat menyentuh mata pisau pemotong. Mata pisau pemotong dapat menyebabkan cedera serius pada tangan tanpa pelindung.

Keselamatan tempat kerja

1. Gunakan mesin dalam jarak penglihatan yang bagus dan gunakan pada siang hari. Jangan gunakan mesin dalam kegelapan atau kabut.
2. Jangan mengoperasikan mesin dalam lingkungan yang dapat memicu ledakan, misalnya jika ada cairan, gas, atau debu yang mudah terbakar. Mesin ini menimbulkan percikan api yang dapat membakar debu atau uap tersebut.
3. Saat pengoperasian, jangan berdiri di atas permukaan yang tidak stabil, permukaan yang licin, atau lereng yang curam. Saat musim dingin, hati-hati dengan es dan salju dan selalu pastikan pijakan kokoh.

4. Saat pengoperasian, pastikan orang lain atau binatang berada setidaknya 15 m dari mesin. Segera matikan mesin jika ada seseorang yang mendekat.
5. Jangan gunakan mesin jika ada orang, khususnya anak-anak, atau binatang peliharaan di dekatnya.
6. Sebelum pengoperasian, pastikan tidak ada pagar kawat, batu, atau objek keras lainnya di area kerja. Benda tersebut dapat terlempar atau menyebabkan hentakan yang berbahaya dan mengakibatkan cedera serius dan/atau kerusakan properti.
7. **⚠️PERINGATAN:** Menggunakan produk ini dapat menghasilkan debu yang mengandung bahan kimia yang dapat menyebabkan gangguan saluran pernapasan atau penyakit lain. Beberapa contoh dari bahan kimia ini adalah senyawa yang ditemukan di dalam pestisida, insektisida, pupuk, dan herbisida. Risiko yang Anda alami dari paparan tersebut bervariasi, bergantung seberapa sering Anda melakukan jenis pekerjaan ini. Untuk mengurangi paparan dari bahan kimia tersebut: bekerja di area yang berventilasi baik dan bekerja menggunakan peralatan keselamatan yang dianjurkan, seperti masker debu yang khusus dirancang untuk menyaring partikel mikroskopis.

Keamanan listrik dan baterai

1. Pastikan mesin tidak kehujanan atau basah. Air yang masuk ke dalam mesin akan meningkatkan risiko sengatan listrik.
2. Jangan gunakan mesin jika sakelar tidak dapat menyalakan dan mematikan mesin. Mesin yang tidak dapat dikendalikan dengan sakelarnya akan berbahaya dan harus diperbaiki.
3. Cegah penyalan yang tidak disengaja. Pastikan bahwa sakelar berada dalam posisi mati sebelum memasang paket baterai, atau mengangkat atau membawa mesin. Membawa mesin dengan jari berada di sakelar atau mengalirkan listrik pada mesin listrik dengan sakelar hidup akan meningkatkan potensi kecelakaan.
4. Jangan buang baterai ke nyala api. Sel baterai dapat meledak. Periksa kode setempat untuk petunjuk pembuangan khusus yang memungkinkan.
5. Jangan buka atau bongkar baterai. Elektrolit yang terlepas bersifat korosif dan dapat melukai mata atau kulit. Zat tersebut dapat beracun jika tertelan.
6. Jangan mengisi daya baterai saat hujan, atau di lokasi yang basah.
7. Hindari lingkungan yang berbahaya. Jangan gunakan mesin di lokasi yang lembap dan basah, atau membiarkannya terkena hujan. Air yang masuk ke dalam mesin akan meningkatkan risiko sengatan listrik.
8. Jangan mengisi daya baterai di luar ruangan.
9. Jangan memegang pengisi daya, termasuk steker pengisi daya, dan terminal pengisi daya dengan tangan basah.

Memulai pengoperasian

1. Sebelum merakit atau menyesuaikan mesin, lepaskan kartrid baterai.
2. Sebelum bekerja dengan mata pisau pemotong, gunakan sarung tangan pelindung.
3. Sebelum memasang kartrid baterai, periksa mesin apakah ada kerusakan, sekrup/mur yang longgar, atau pemasangan yang kurang tepat. Tajamkan mata pisau pemotong yang tumpul. Jika mata pisau pemotong bengkok atau rusak, segera ganti. Periksa semua tuas kontrol dan tombol untuk memudahkan pekerjaan. Bersihkan dan keringkan pegangan.
4. Jangan pernah menyalakan jika mesin rusak atau belum terpasang sempurna. Jika tidak, cedera serius dapat terjadi.
5. Atur harness bahu dan pegangan tangan agar pas dengan ukuran badan operator.
6. Saat memasukkan kartrid baterai, jauhkan alat tambahan pemotongan dari badan Anda dan benda lain, termasuk tanah. Mesin dapat berputar saat dihidupkan dan dapat menyebabkan cedera atau kerusakan pada mesin dan/atau properti.
7. Lepaskan semua kunci penyetel, kunci pas, atau penutup pisau sebelum menghidupkan mesin. Aksesori yang masih terpasang pada bagian mesin yang berputar dapat menyebabkan cedera.
8. Alat pemotong harus dilengkapi dengan pelindung. Dilarang menjalankan mesin dengan pelindung yang rusak atau tanpa pelindung!
9. Pastikan tidak ada kabel listrik, pipa air, pipa gas, dll. yang dapat menyebabkan bahaya jika mengalami kerusakan akibat penggunaan mesin.

Pengoperasian

1. Dalam keadaan darurat, segera matikan mesin.
2. Jika Anda merasakan hal yang tidak biasa (misalnya suara, getaran) selama pengoperasian, matikan mesin dan lepaskan kartrid baterai. Jangan gunakan mesin sampai penyebab permasalahan diketahui dan diperbaiki.
3. Alat tambahan pemotongan terus berputar selama beberapa saat setelah mesin dimatikan. Jangan terburu-buru menyentuh alat tambahan pemotongan.
4. Selama pengoperasian, gunakan harness bahu. Tahan mesin di sisi kanan Anda dengan kuat.
5. Bekerjalah sesuai jangkauan Anda. Selalu jaga pijakan dan keseimbangan yang tepat. Perhatikan penghalang yang terpendam seperti tunggul, akar pohon, dan parit untuk menghindari tersandung.
6. Pastikan pijakan Anda sempurna saat berdiri di area miring.
7. Berjalanlah, jangan berlari.
8. Jangan pernah bekerja di atas tangga atau pohon untuk menghindari kehilangan kendali.

9. Apabila mesin terbentur keras atau terjatuh, periksa keadaannya sebelum melanjutkan bekerja. Periksa apakah terjadi malafungsi pada kontrol dan peralatan keselamatan. Jika ada kerusakan atau keraguan, tanyakan pusat layanan resmi kami untuk pemeriksaan dan perbaikan.
 10. Beristirahatlah untuk mencegah hilangnya kontrol karena kelelahan. Kami menyarankan untuk beristirahat 10 sampai 20 menit setiap jam.
 11. **Ketika Anda meninggalkan mesin, meskipun untuk waktu yang sebentar, selalu lepaskan kartrid baterai.** Mesin yang dibiarkan tanpa pengawasan dengan kartrid baterai terpasang dapat digunakan oleh orang yang tidak berwenang dan menyebabkan kecelakaan serius.
 12. **Jika rumput atau cabang tersangkut di antara alat tambahan pemotongan dan pelindung, selalu matikan mesin dan lepaskan kartrid baterai sebelum membersihkan.** Jika tidak, alat tambahan pemotongan dapat berputar secara tidak disengaja dan menyebabkan cedera serius.
 13. **Jangan pernah menyentuh komponen berbahaya yang bergerak sebelum komponen tersebut berhenti sepenuhnya dan kartrid baterai dilepas.**
 14. **Jika alat tambahan pemotongan mengenai batu atau benda keras lainnya, segera matikan mesin.** Kemudian lepaskan kartrid baterai dan periksa alat tambahan pemotongan.
 15. **Periksa alat tambahan pemotongan secara teratur saat pengoperasian untuk memastikan tidak ada keretakan atau kerusakan.** Sebelum pemeriksaan, lepaskan kartrid baterai, dan tunggu hingga alat tambahan pemotongan berhenti sepenuhnya. Segera ganti alat tambahan pemotongan yang rusak, meskipun hanya retakan kecil.
 16. **Jangan pernah memotong di atas tinggi pinggang.**
 17. **Sebelum memulai pengoperasian pemotongan, tunggu hingga alat tambahan pemotongan mencapai kecepatan konstan setelah menyalakan mesin.**
 18. **Saat menggunakan mata pisau pemotong, ayunkan mesin secara merata dalam separuh lingkaran dari kanan ke kiri, seperti menggunakan sabit besar.**
 19. **Pegang mesin hanya pada permukaan genggam yang terisolasi, karena mata pisau pemotong mungkin bersentuhan dengan kawat atau kabel tersembunyi.** Mata pisau pemotong yang menyentuh kawat "aktif" dapat menyebabkan bagian logam pada mesin "teraliri arus listrik" dan menyengat pengguna.
 20. **Jangan menyalakan mesin jika alat pemotong tersangkut dengan rumput yang terpotong.**
 21. **Sebelum menyalakan mesin, pastikan alat pemotong tidak menyentuh tanah dan penghalang lain, seperti pohon.**
 22. **Saat pengoperasian, selalu pegang mesin dengan kedua tangan.** Jangan pernah memegang mesin dengan satu tangan selama penggunaan.
 23. **Jangan mengoperasikan alat dalam cuaca buruk atau jika terdapat risiko tersambar petir.**
- ## Alat pemotong
1. **Jangan gunakan alat pemotong yang tidak kami rekomendasikan.**
 2. **Gunakan alat tambahan pemotongan yang dapat digunakan untuk pekerjaan dengan tangan.**
 - Kepala pemotong nilon (kepala pemangkas senar) dan bilah pisau plastik sesuai untuk memangkas rumput halaman.
 - Mata pisau pemotong sesuai untuk memotong semak, rumput tinggi, belukar, gulma, rumput liar, dan sejenisnya.
 - Jangan pernah menggunakan mata pisau lain, seperti rantai pivot sambung berbahan logam dan mata pisau tebas. Hal itu dapat mengakibatkan cedera serius.
 3. **Hanya gunakan alat pemotong dengan kecepatan yang sama atau lebih tinggi dari kecepatan yang tertera pada mesin.**
 4. **Selalu jauhkan tangan, wajah, dan pakaian Anda dari alat pemotong saat sedang berputar.** Kelalaian dalam melakukannya dapat menyebabkan cedera.
 5. **Selalu gunakan pelindung alat tambahan pemotongan yang sesuai untuk alat tambahan pemotongan yang digunakan.**
 6. **Saat menggunakan mata pisau pemotong, hindari hentakan dan selalu siap untuk hentakan yang tidak disengaja.** Lihat bagian Hentakan.
 7. **Saat sedang tidak digunakan, pasang penutup mata pisau ke mata pisau.** Lepaskan penutup sebelum pengoperasian.
- ## Hentakan (Dorongan mata pisau)
1. **Hentakan (dorongan mata pisau) adalah reaksi yang terjadi secara tiba-tiba bila mata pisau pemotong tersangkut atau terikat.** Saat hal itu terjadi, mesin terlempar ke sisi samping atau ke arah operator dengan kekuatan yang tinggi dan dapat menyebabkan cedera serius.
 2. **Hentakan terjadi khususnya saat memasang ruas-ruas mata pisau antara arah jam 12 dan 2 pada benda padat, semak-semak, dan pepohonan dengan diameter 3 cm atau lebih besar.**
 - **Gbr.2**
 3. **Untuk menghindari hentakan:**
 1. **Terapkan ruas antara arah jam 8 dan 11.**
 2. **Jangan pernah menerapkan ruas antara arah jam 12 dan 2.**
 3. **Jangan pernah menerapkan ruas antara arah jam 11 dan 12 dan antara arah jam 2 dan 5, kecuali operator terlatih dengan baik dan berpengalaman serta melakukannya dengan risikonya sendiri.**
 4. **Jangan pernah menggunakan mata pisau pemotong di dekat benda padat, seperti pagar, dinding, batang pohon, dan bebatuan.**

5. Jangan pernah menggunakan mata pisau pemotong secara vertikal, seperti pengoperasian pemotongan tepian dan pemangkasan pada pagar tanaman.

► Gbr.3

Getaran

1. Seseorang dengan sirkulasi yang buruk yang terpapar getaran berlebih mungkin mengalami cedera pada pembuluh darah atau sistem saraf. Getaran dapat menyebabkan gejala berikut yang terjadi pada jari-jari, tangan, atau pergelangan tangan: "Mati rasa" (baal), kesemutan, nyeri, sensasi seperti tertusuk, perubahan kulit atau warna kulit. Jika terjadi gejala tersebut, hubungi dokter!
2. Untuk mengurangi risiko "sindrom jari putih", selalu pastikan tangan Anda tetap hangat saat mengoperasikan mesin dan lakukan pemeliharaan mesin dan aksesoris dengan baik.

Pemindahan

1. Sebelum memindahkan mesin, matikan mesin dan lepaskan kartrid baterai. Pasang penutup pada mata pisau pemotong.
2. Ketika memindahkan mesin, bawalah dengan posisi horizontal dengan memegang porosnya.
3. Ketika memindahkan mesin dengan kendaraan, pasang dengan aman agar tidak terbalik. Jika tidak, mesin dapat rusak dan dapat juga mengakibatkan kerusakan pada muatan lainnya.

Pemeliharaan

1. Servis mesin Anda hanya oleh pusat layanan resmi kami, dan selalu gunakan suku cadang pengganti asli. Perbaikan yang salah serta pemeliharaan yang tidak layak dapat mengurangi umur mesin dan meningkatkan risiko kecelakaan.
2. Sebelum melakukan pemeliharaan atau memperbaiki atau membersihkan mesin, matikan mesin dan lepaskan kartrid baterai.
3. Selalu kenakan sarung tangan pelindung saat menangani mata pisau pemotong.
4. Selalu bersihkan debu dan lumpur dari mesin. Jangan sekali-kali menggunakan bensin, tiner, alkohol, atau bahan sejenisnya untuk membersihkan. Perubahan warna, perubahan bentuk, atau keretakan komponen plastik dapat terjadi.
5. Setelah setiap kali digunakan, kencangkan semua sekrup dan mur.
6. Jangan mencoba melakukan pemeliharaan atau perbaikan apa pun yang tidak dijelaskan dalam petunjuk penggunaan. Mintalah kepada pusat layanan resmi kami untuk melakukan pekerjaan ini.
7. Selalu gunakan suku cadang dan aksesoris asli kami. Menggunakan bagian atau aksesoris yang disediakan oleh pihak ketiga dapat mengakibatkan kerusakan mesin, kerusakan barang, dan/atau cedera serius.

8. Minta pusat layanan resmi kami untuk memeriksa dan merawat mesin pada interval yang teratur.
9. Selalu jaga mesin tetap dalam kondisi baik. Pemeliharaan yang buruk dapat menghasilkan kinerja di bawah standar dan memperpendek umur mesin.

Penyimpanan

1. Sebelum menyimpan mesin, lakukan pembersihan dan pemeliharaan penuh. Lepaskan kartrid baterai. Pasang penutup pada mata pisau pemotong.
2. Simpan mesin di tempat yang kering dan tinggi atau tempat terkunci yang jauh dari jangkauan anak kecil.
3. Jangan sandarkan mesin pada sesuatu, seperti tembok. Jika tidak, peralatan dapat jatuh dan menyebabkan cedera serius.

P3K

1. Selalu sediakan kotak P3K di dekat Anda. Segera ganti setiap item yang diambil dari kotak P3K.
2. Ketika meminta bantuan, berikan informasi berikut:
 - Tempat terjadinya kecelakaan
 - Apa yang terjadi
 - Jumlah orang yang terluka
 - Sifat cedera
 - Nama Anda

SIMPAN PETUNJUK INI.

⚠PERINGATAN: JANGAN biarkan kenyamanan atau terbiasanya Anda dengan produk (karena penggunaan berulang) mengurangi kepatuhan yang ketat terhadap aturan keselamatan untuk produk yang terkait. PENYALAHGUNAAN atau kelalaian mematuhi kaidah keselamatan yang tertera dalam petunjuk ini dapat menyebabkan cedera badan serius.

Petunjuk keselamatan penting untuk kartrid baterai

1. Sebelum menggunakan kartrid baterai, bacalah semua petunjuk dan penandaan pada (1) pengisi daya baterai, (2) baterai, dan (3) produk yang menggunakan baterai.
2. Jangan membongkar atau memodifikasi kartrid baterai. Tindakan tersebut dapat menimbulkan api, panas berlebih, atau ledakan.
3. Jika waktu beroperasinya menjadi sangat singkat, segera hentikan penggunaan. Hal tersebut dapat menimbulkan risiko panas berlebih, kemungkinan mengalami luka bakar atau bahkan terjadi ledakan.
4. Jika elektrolit mengenai mata Anda, basuh dengan air bersih dan segera cari pertolongan medis. Hal tersebut dapat mengakibatkan hilangnya kemampuan penglihatan Anda.

5. **Jangan menghubungkan terminal kartrid baterai:**
 - (1) **Jangan menyentuh terminal dengan bahan penghantar listrik apa pun.**
 - (2) **Hindari menyimpan kartrid baterai pada wadah yang berisi benda logam lain seperti paku, uang logam, dsb.**
 - (3) **Jangan membiarkan baterai terkena air atau keujanan.**

Hubungan singkat baterai dapat menyebabkan aliran arus listrik yang besar, panas berlebih, kemungkinan mengalami luka bakar dan bahkan kerusakan pada baterai.
6. **Jangan menyimpan dan menggunakan mesin dan kartrid baterai pada lokasi dengan suhu yang bisa mencapai atau melebihi 50 °C (122 °F).**
7. **Jangan membuang kartrid baterai di tempat pembakaran sampah walaupun benar-benar rusak atau tidak bisa digunakan sama sekali. Kartrid baterai bisa meledak jika terbakar.**
8. **Jangan memaku, memotong, menghancurkan, melempar, menjatuhkan kartrid baterai, atau memukulkan benda keras ke kartrid baterai.** Tindakan tersebut dapat menimbulkan api, panas berlebih, atau ledakan.
9. **Jangan menggunakan baterai yang rusak.**
10. **Baterai litium-ion yang disertakan sesuai dengan persyaratan Perundangan Makanan Berbahaya.**

Harus ada pengawasan untuk pengangkutan komersial misalnya oleh pihak ketiga, ekspeditor, persyaratan khusus terhadap pengemasan dan pelabelan.

Diperlukan adanya konsultasi dengan ahli mengenai material berbahaya untuk persiapan barang yang akan dikirimkan. Perhatikan pula peraturan nasional yang lebih terperinci yang mungkin ada.

Beri perekat atau tutupi bagian yang terbuka dan kemasi baterai dengan cara yang tidak akan menimbulkan pergeseran dalam pengemasan.
11. **Ketika membuang kartrid baterai, lepaskan dari mesin dan buang ke tempat yang aman. Patuhi peraturan setempat yang berkaitan dengan pembuangan baterai.**
12. **Gunakan baterai hanya dengan produk yang ditentukan oleh Makita.** Memasang baterai pada produk yang tidak sesuai dapat menyebabkan kebakaran, kelebihan panas, ledakan, atau kebocoran elektrolit.
13. **Jika mesin tidak digunakan dalam jangka waktu yang lama, baterai harus dilepas dari mesin.**
14. **Selama dan setelah digunakan, kartrid baterai mungkin menyimpan panas yang dapat menyebabkan luka bakar atau luka bakar suhu rendah.** Perhatikan cara memegang kartrid baterai yang masih panas.
15. **Jangan langsung menyentuh terminal mesin setelah digunakan karena suhunya mungkin cukup panas untuk menyebabkan luka bakar.**
16. **Jangan biarkan serpihan, debu, atau tanah menempel di terminal, lubang, dan alur kartrid baterai.** Hal tersebut dapat menyebabkan pemanasan, kebakaran, ledakan, dan kegagalan fungsi mesin atau kartrid baterai, yang mengakibatkan luka bakar atau cedera diri.
17. **Kecuali jika mesin mendukung penggunaan di dekat saluran listrik bertegangan tinggi, jangan gunakan kartrid baterai di dekat saluran listrik bertegangan tinggi.** Hal tersebut dapat mengakibatkan kegagalan fungsi atau kerusakan mesin maupun kartrid baterai.
18. **Jauhkan baterai dari jangkauan anak-anak.**

SIMPAN PETUNJUK INI.

⚠PERHATIAN: Gunakan baterai asli Makita. Penggunaan baterai Makita yang tidak asli, atau baterai yang sudah diubah, akan mengakibatkan baterai mudah terbakar, cedera dan kerusakan. Akan menghilangkan garansi Makita pada pengisi daya dan alat Makita.

Tip untuk menjaga agar umur pemakaian baterai maksimum

1. **Isi ulang kartrid baterai sebelum habis sama sekali. Selalu hentikan penggunaan mesin dan ganti kartrid baterai jika Anda melihat bahwa mesin kurang tenaga.**
2. **Jangan pernah mengisi ulang kartrid baterai yang sudah diisi penuh. Pengisian ulang yang berlebih memperpendek umur pemakaian baterai.**
3. **Isi ulang kartrid baterai pada suhu ruangan 10 °C - 40 °C. Biarkan kartrid baterai yang panas menjadi dingin terlebih dahulu sebelum diisi ulang.**
4. **Saat kartrid baterai tidak digunakan, lepaskan dari mesin atau pengisi daya.**
5. **Isi ulang daya kartrid baterai jika Anda tidak menggunakannya untuk jangka waktu yang lama (lebih dari enam bulan).**

DESKRIPSI BAGIAN-BAGIAN MESIN

► Gbr.4

1	Kartrid baterai	2	Tuas pengalih kecepatan	3	Pelatuk sakelar	4	Tombol pengunci
5	Penghalang	6	Pelindung	7	Pegangan loop	8	Gantungan
9	Harnes bahu	-	-	-	-	-	-

PERAKITAN

⚠️PERINGATAN: Selalu pastikan bahwa mesin dimatikan dan kartrid baterai dilepas sebelum melakukan pekerjaan apa pun pada mesin.

Kelalaian dalam mematikan dan melepaskan kartrid baterai dapat mengakibatkan cedera badan yang serius akibat penyalan yang tidak disengaja.

⚠️PERINGATAN: Jangan nyalakan mesin kecuali rangkaiannya telah terpasang sepenuhnya. Pemotong yang dioperasikan dalam kondisi terangkai sebagian saja dapat mengakibatkan cedera perseorangan berat karena mesin mungkin saja dinyalakan secara tidak sengaja.

Memasang penghalang

Pasang penghalang pada pegangan loop menggunakan sekrup pada penghalang.

▶ **Gbr.5:** 1. Penghalang 2. Sekrup

⚠️PERHATIAN: Setelah merakit penghalang, jangan lepaskan. Penghalang berfungsi sebagai bagian keselamatan untuk mencegah Anda agar tidak bersentuhan dengan mata pisau pemotong secara tidak sengaja.

Memasang pelindung

⚠️PERINGATAN: Jangan sekali-kali menggunakan mesin tanpa pelindung seperti yang digambarkan. Kelalaian dalam melakukannya dapat menyebabkan cedera diri.

⚠️PERHATIAN: Berhati-hatilah untuk tidak mencederai diri sendiri akibat pemotongan tali nilon.

Pasang pelindung ke penjepit menggunakan baut.

▶ **Gbr.6:** 1. Penjepit 2. Baut 3. Pelindung

Setelah memasang pelindung, lepaskan penutup pemotong dari pemotong.

▶ **Gbr.7:** 1. Pemotong 2. Tutup pemotong

Sebelum memasang alat pemotong, lepaskan mur, mangkuk, dan cincin penjepit dari spindel dengan memutar mur searah jarum jam menggunakan kunci busi sambil menahan tombol kunci spindel.

▶ **Gbr.8:** 1. Mur 2. Cup 3. Ring penjepit 4. Spindel 5. Tombol pengunci spindel

Memasang alat pemotong

CATATAN: Tipe alat pemotong yang disediakan sebagai aksesoris standar bervariasi tergantung pada negara masing-masing. Alat pemotong tidak disertakan di beberapa negara.

CATATAN: Putar mesin secara terbalik sehingga Anda dapat mengganti alat pemotong dengan mudah.

Mata pisau pemotong

⚠️PERHATIAN: Ketika menangani mata pisau pemotong, selalu kenakan sarung tangan dan pasang penutup pada mata pisau.

⚠️PERHATIAN: Mata pisau pemotong harus digosok dengan baik, dan bebas retakan atau kerusakan. Jika mata pisau pemotong menghantam batu saat pengoperasian, matikan mesin dan segera periksa mata pisau pemotong.

⚠️PERHATIAN: Selalu gunakan mata pisau pemotong dengan diameter yang dijelaskan di bagian untuk spesifikasi.

▶ **Gbr.9:** 1. Mur 2. Cup 3. Ring penjepit 4. Mata pisau pemotong 5. Spindel 6. Pelindung 7. Tombol pengunci spindel

1. Pasang mata pisau pemotong pada pelindung sehingga tanda panah pada mata pisau pemotong dan pelindung mengarah pada arah yang sama.

▶ **Gbr.10:** 1. Tanda panah

2. Masukkan ring penjepit dan mangkuk di atas pisau pemotong.

3. Sambil menahan tombol pengunci spindel, kencangkan mur dengan aman menggunakan kunci busi.

▶ **Gbr.11:** 1. Tombol pengunci spindel 2. Kunci busi 3. Kendurkan 4. Kencangkan

Untuk melepaskan mata pisau pemotong, kendurkan mur sambil menahan tombol pengunci spindel.

Kepala pemotong nilon

PEMBERITAHUAN: Pastikan Anda menggunakan kepala pemotong nilon Makita yang asli.

Sambil menahan tombol pengunci spindel, letakkan kepala pemotong nilon pada spindel dan kencangkan secara kuat menggunakan tangan.

▶ **Gbr.12:** 1. Kepala pemotongan nilon 2. Spindel 3. Tombol pengunci spindel 4. Kendurkan 5. Kencangkan

Untuk melepaskan kepala pemotong nilon, kendurkan kepala pemotong nilon sambil menahan tombol pengunci spindel.

Bilah pisau plastik

PEMBERITAHUAN: Pastikan Anda menggunakan bilah pisau plastik Makita yang asli.

Sambil menahan tombol pengunci spindel, letakkan bilah pisau plastik pada spindel dan kencangkan secara kuat menggunakan tangan.

▶ **Gbr.13:** 1. Bilah pisau plastik 2. Spindel 3. Tombol pengunci spindel 4. Kendurkan 5. Kencangkan

Untuk melepaskan bilah pisau plastik, kendurkan bilah pisau plastik sambil menahan tombol pengunci spindel.

CATATAN: Anda juga dapat menggunakan kunci L yang disediakan untuk memasang/melepas alat pemotong. Masukkan kunci L ke lubang seperti yang ditunjukkan pada gambar untuk mengunci spindle.

► **Gbr.14:** 1. Kunci L 2. Lubang

PERHATIAN: Selalu gunakan kunci pas yang disediakan untuk memasang/melepas alat pemotong.

PERHATIAN: Pastikan untuk melepas kunci L yang dimasukkan ke dalam kepala mesin setelah memasang alat pemotong.

Penyimpanan kunci L

PERHATIAN: Berhati-hatilah untuk tidak meninggalkan kunci L terpasang pada kepala mesin. Hal tersebut dapat menyebabkan cedera dan/atau merusak mesin.

Saat tidak digunakan, simpan kunci L seperti terlihat pada gambar agar tidak hilang.

► **Gbr.15:** 1. Pegangan loop 2. Kunci L

DESKRIPSI FUNGSI

PERINGATAN: Selalu pastikan bahwa mesin dimatikan dan kartrid baterai dilepas sebelum menyatel atau memeriksa kerja mesin. Kelalaian dalam mematikan dan melepaskan kartrid baterai dapat mengakibatkan cedera badan yang serius akibat penyalakan yang tidak disengaja.

Memasang atau melepas baterai

PERHATIAN: Selalu matikan mesin sebelum memasang atau melepas kartrid baterai.

PERHATIAN: Pegang mesin dan kartrid baterai kuat-kuat saat memasang atau melepas kartrid baterai. Kelalaian untuk memegang mesin dan kartrid baterai kuat-kuat bisa menyebabkan keduanya tergelincir dari tangan Anda dan mengakibatkan kerusakan pada mesin dan kartrid baterai dan cedera diri.

► **Gbr.16:** 1. Indikator berwarna merah 2. Tombol 3. Kartrid baterai

Untuk melepas kartrid baterai, geser dari mesin sambil menggeser tombol pada bagian depan kartrid.

Untuk memasang kartrid baterai, sejajarkan lidah kartrid baterai dengan alur pada rumah dan masukkan ke dalam tempatnya. Masukkan seluruhnya sampai terkunci pada tempatnya dan terdengar bunyi klik kecil. Jika Anda bisa melihat indikator berwarna merah seperti yang ditunjukkan pada gambar, ini artinya kartrid baterai tidak terkunci sempurna.

PERHATIAN: Selalu pasang kartrid baterai sepenuhnya sampai indikator berwarna merah tidak terlihat. Jika tidak, bisa terlepas dari mesin secara tidak sengaja, menyebabkan luka pada Anda atau orang di sekitar Anda.

PERHATIAN: Jangan memasang kartrid baterai secara paksa. Jika kartrid tidak bergeser dengan mudah, berarti tidak dimasukkan dengan benar.

Sistem perlindungan mesin / baterai

Mesin ini dilengkapi dengan sistem perlindungan mesin/baterai. Sistem ini memutus aliran daya ke motor secara otomatis untuk memperpanjang masa pakai mesin dan baterai. Mesin akan berhenti secara otomatis saat dioperasikan jika mesin atau baterai mengalami salah satu dari kondisi berikut ini:

► **Gbr.17:** 1. Lampu indikator

Perlindungan kelebihan beban

Jika mengalami situasi berikut ini, mesin akan berhenti secara otomatis dan lampu indikator akan menyala:

- Mesin mengalami kelebihan beban akibat semak atau serpihan lain yang tersangkut.
- Alat pemotong terkunci.

Dalam situasi ini, lepaskan pelatuk sakelar dan bersihkan semak atau serpihan yang tersangkut jika diperlukan. Setelahnya, tarik lagi pelatuk sakelar untuk melanjutkan.

PERHATIAN: Jika Anda perlu membersihkan semak yang tersangkut pada mesin atau melepaskan alat pemotong yang terkunci, pastikan untuk mematikan mesin sebelum Anda memulainya.

Perlindungan panas berlebih

Apabila mesin atau baterai terlalu panas, mesin akan berhenti secara otomatis dan lampu indikator akan menyala. Pada keadaan ini, tunggu hingga mesin dan baterai mendingin sebelum dinyalakan kembali.

Perlindungan pengisian daya berlebih

Ketika kapasitas baterai tidak cukup, lampu indikator akan berkedip. Jika terjadi, lepaskan baterai dari mesin dan isi daya kartrid baterai, atau ganti kartrid baterai dengan yang terisi penuh.

CATATAN: Saat kapasitas baterai habis, mesin berhenti dan lampu indikator menyala.

Perlindungan terhadap penyebab lain

Sistem perlindungan juga dirancang untuk penyebab lain yang dapat merusak mesin dan memungkinkan mesin untuk berhenti secara otomatis. Lakukan semua langkah berikut ini untuk mengatasi penyebabnya, saat mesin dihentikan sementara atau berhenti beroperasi.

1. Matikan mesin, dan kemudian hidupkan kembali untuk memulai ulang.
2. Isi baterai atau ganti dengan baterai yang sudah diisi ulang.
3. Biarkan mesin dan baterai menjadi dingin.

Jika tidak ada peningkatan yang dapat ditemukan dengan memulihkan sistem perlindungan, hubungi Pusat Servis Makita setempat Anda.

PEMBERITAHUAN: Jika mesin berhenti karena penyebab yang tidak dijelaskan di atas, lihat bagian pemecahan masalah.

Mengindikasikan kapasitas baterai yang tersisa

Hanya untuk kartrid baterai dengan indikator

► **Gbr.18:** 1. Lampu indikator 2. Tombol pemeriksaan
Tekan tombol pemeriksaan pada kartrid baterai untuk melihat kapasitas baterai yang tersisa. Lampu indikator menyala selama beberapa detik.

Lampu indikator			Kapasitas yang tersisa
Menyala	Mati	Berkedip	
■	□	◐	75% hingga 100%
■ ■ ■ ■			
■ ■ ■ ■	□		50% hingga 75%
■ ■ ■ ■	□ □		25% hingga 50%
■ ■ ■ ■	□ □ □ □		0% hingga 25%
◐	□ □ □ □		Isi ulang baterai.
■ ■ ■ ■	□ □ □ □	↑ ↓	Baterai mungkin sudah rusak.

CATATAN: Tergantung kondisi penggunaan dan suhu lingkungannya, penunjukkan mungkin saja sedikit berbeda dari kapasitas sebenarnya.

CATATAN: Lampu indikator pertama (ujung kiri) akan berkedip ketika sistem perlindungan mesin bekerja.

Kerja sakelar

PERINGATAN: Sebelum memasukkan kartrid baterai pada mesin, pastikan picu saklar berfungsi dengan baik dan kembali ke posisi "OFF" saat dilepas.

PERINGATAN: Untuk keselamatan Anda, mesin ini dilengkapi tombol buka kunci untuk mencegah hidupnya mesin secara tidak disengaja. Jangan pernah menggunakan mesin jika mesin tersebut menyala ketika Anda hanya menarik pelatuk sakelarnya tanpa menekan tombol buka kunci. Mintalah kepada Pusat Layanan Makita terdekat untuk memperbaikinya.

PERINGATAN: Jangan pernah menonaktifkan fungsi pengunci atau melakban tombol buka kunci.

PEMBERITAHUAN: Jangan menarik pelatuk sakelar dengan paksa tanpa menekan tombol buka kunci. Sakelar dapat patah.

► **Gbr.19:** 1. Tombol pengunci 2. Pelatuk sakelar

Untuk mencegah pelatuk sakelar tertarik dengan tidak sengaja, tersedia sebuah tombol pengunci. Untuk menjalankan mesin, tekan tombol buka kunci dan tarik pelatuk sakelar. Lepaskan pelatuk sakelar untuk berhenti. Tombol buka kunci dapat ditekan dari sisi kanan maupun kiri.

Penyetel kecepatan

Anda dapat memilih kecepatan mesin dengan menggeser tuas pengalih daya. Untuk memilih kecepatan tinggi, gerakkan tuas pengalih kecepatan ke depan. Untuk memilih kecepatan rendah, gerakkan tuas pengalih kecepatan ke belakang.

► **Gbr.20:** (1) Kecepatan rendah (2) Kecepatan tinggi (3) Tuas pengalih kecepatan

Rem elektrik

Mesin ini dilengkapi dengan rem elektrik. Jika mesin selalu gagal melakukan pemberhentian cepat setelah pelatuk sakelar dilepaskan, servis mesin di pusat servis kami.

PERHATIAN: Sistem rem ini bukanlah pengganti pelindung. Jangan pernah menggunakan mesin tanpa pelindung. Alat pemotong yang tidak berpelindung dapat mengakibatkan cedera serius.

PENGUNAAN

Memasang harness bahu

⚠️PERHATIAN: Selalu gunakan harness bahu yang terpasang pada mesin ini. Sebelum mengoperasikan, setel harness bahu sesuai dengan ukuran pengguna untuk mencegah kelelahan.

⚠️PERHATIAN: Sebelum mengoperasikan, pastikan harness bahu terpasang dengan benar ke gantungan pada mesin.

⚠️PERHATIAN: Saat Anda menggunakan mesin bersama dengan pasokan daya tipe ransel seperti paket daya portabel, jangan gunakan harness bahu yang disertakan dalam paket mesin, tetapi gunakan pita penggantung yang direkomendasikan oleh Makita.

Jika Anda mengenakan harness bahu yang disertakan dalam paket mesin dan harness bahu dari pasokan daya tipe ransel pada saat yang bersamaan, melepas mesin atau pasokan daya tipe ransel akan sulit jika terjadi keadaan darurat sehingga dapat menyebabkan kecelakaan atau cedera. Untuk pita penggantung yang direkomendasikan, tanyakan ke Pusat Layanan Resmi Makita.

Hubungkan kait harness bahu pada gantungan dan pasang harness bahu. Pastikan mesin telah terpasang dengan aman oleh harness bahu.

► **Gbr.21:** 1. Kait 2. Gantungan

Harness bahu dilengkapi dengan metode pelepasan cepat. Cukup tekan sisi gesper sembari menahan mesin untuk melepas mesin dari harness bahu.

► **Gbr.22:** 1. Gesper pengencang

Cara memegang mesin yang benar

⚠️PERINGATAN: Selalu posisikan mesin di sisi tangan kanan Anda. Pemosisian mesin yang benar memungkinkan kendali maksimal dan akan mengurangi risiko cedera serius akibat hentakan balik.

⚠️PERINGATAN: Selalu berhati-hatilah dalam menjaga kendali mesin. Jangan biarkan mesin berbelok ke arah Anda atau siapa saja di lingkungan pengerjaan. Kelalaian dalam menjaga kendali mesin dapat mengakibatkan cedera serius pada orang sekitar dan operator.

⚠️PERINGATAN: Untuk menghindari kecelakaan, berikan jarak lebih dari 15m (50 kaki) antar operator saat dua operator atau lebih bekerja dalam satu area. Selain itu, tugaskan seseorang untuk mengawasi jarak antar operator. Jika seseorang atau binatang masuk ke dalam area kerja, segera hentikan pengoperasian.

⚠️PERHATIAN: Apabila alat pemotong terburut batu atau benda keras lainnya saat penggunaan, matikan mesin dan periksa apakah terdapat kerusakan. Jika alat pemotong rusak, segera ganti. Penggunaan alat pemotong yang rusak dapat mengakibatkan cedera serius.

⚠️PERHATIAN: Lepaskan penutup mata pisau dari mata pisau pemotong saat memotong rumput.

Posisi dan cara memegang yang benar akan memberi kontrol yang optimal dan mengurangi risiko cedera yang disebabkan karena hentakan.

► **Gbr.23**

Saat menggunakan kepala pemotong nilon (tipe ulur & bentur)

Kepala pemotong nilon adalah kepala pemangkas senar ganda yang dilengkapi dengan mekanisme ulur & bentur.

Untuk mengulur kabel nilon, ketuk kepala pemotongan pada tanah saat berputar.

► **Gbr.24:** 1. Area pemotongan paling efektif

PEMBERITAHUAN: Ulur bentur tidak akan beroperasi dengan baik jika kepala pemotong nilon tidak berputar.

CATATAN: Jika kabel nilon tidak mengulur saat mengetuk kepala, gulung/ganti kabel nilon dengan mengikuti prosedur di bagian pemeliharaan.

PERAWATAN

⚠️PERINGATAN: Selalu pastikan bahwa mesin dimatikan dan kartrid baterai dilepas sebelum melakukan pemeriksaan atau perawatan mesin. Kelalaian dalam mematikan dan melepaskan kartrid baterai dapat mengakibatkan cedera badan yang serius akibat penyalaan yang tidak disengaja.

PEMBERITAHUAN: Jangan sekali-kali menggunakan bensin, tiner, alkohol, atau bahan sejenisnya. Penggunaan bahan demikian dapat menyebabkan perubahan warna, perubahan bentuk atau timbulnya retakan.

Untuk menjaga KEAMANAN dan KEANDALAN mesin, perbaikan, perawatan atau penyetulan lainnya harus dilakukan oleh Pusat Layanan Resmi atau Pabrik Makita; selalu gunakan suku cadang pengganti buatan Makita.

Mengganti tali nilon

⚠️ PERINGATAN: Hanya gunakan kabel nilon dengan diameter yang ditentukan dalam petunjuk penggunaan ini. Jangan pernah menggunakan kabel yang lebih berat, kawat logam, tali atau sejenisnya. Kelalaian dalam melakukannya dapat menyebabkan kerusakan pada mesin dan mengakibatkan cedera serius.

⚠️ PERINGATAN: Selalu lepaskan kepala pemotong nilon dari mesin saat mengganti kabel nilon.

⚠️ PERINGATAN: Pastikan penutup kepala pemotong nilon dikencangkan ke rumah dengan benar seperti yang dijelaskan di panduan instruksi ini. Pemasangan yang tidak benar dapat menyebabkan kepala pemotong nilon terlepas dan menyebabkan cedera serius.

Ganti kabel nilon jika sudah tidak dapat terulur. Metode penggantian kabel nilon bervariasi bergantung pada jenis kepala pemotong nilon.

95-M10L

► **Gbr.25:** (1) Hingga 4 m (2) 80 mm (3) 100 mm

96-M10L

► **Gbr.26:** (1) Hingga 4 m (2) 100 mm

Ganti bilah pisau plastik

Gantilah bilah pisau plastik jika telah aus atau rusak.

Saat memasang bilah pisau plastik, sejajarkan arah pada bilah pisau dengan arah panah pelindung.

► **Gbr.27:** 1. Arah pada pelindung

► **Gbr.28**

► **Gbr.29:** 1. Arah pada bilah pisau

Menggerinda mata pisau logam

⚠️ PERHATIAN: Sebelum menggerinda mata pisau logam, pastikan bahwa mesin dimatikan dan kartrid baterai dilepaskan dari mesin.

PEMBERITAHUAN: Jika mata pisau logam sudah sangat rusak dikarenakan penggerindaan, ganti mata pisau logam dengan yang baru.

PEMBERITAHUAN: Saat Anda menggerinda mata pisau menggunakan mesin seperti gerinda, jangan paksakan roda ke mata pisau agar mata pisau tidak menjadi panas. Jika mata pisau menjadi panas, jangan mendinginkan mata pisau dengan air.

Gerinda mata pisau logam jika telah aus. Gerinda mata pisau logam sebagaimana diinstruksikan dalam gambar. Gerinda seluruh 8 ujung mata pisau dengan cara yang sama.

► **Gbr.30:** (1) 10 mm (2) 2 mm atau lebih (3) Bentuk bundar

PEMECAHAN MASALAH

Sebelum meminta perbaikan, lakukan pemeriksaan mandiri terlebih dahulu. Jika Anda menemukan masalah yang tidak dijelaskan dalam buku petunjuk ini, jangan coba membongkar mesin. Sebaliknya, hubungi Pusat Servis Resmi Makita, dan selalu gunakan suku cadang pengganti Makita untuk perbaikan.

Keadaan Tidak Normal	Kemungkinan penyebab (kerusakan fungsi)	Perbaikan
Motor tidak berjalan.	Kartrid baterai tidak terpasang.	Pasang kartrid baterai.
	Masalah baterai (kekurangan tegangan)	Isi ulang daya baterai. Jika pengisian ulang daya tidak berhasil, gantilah baterai.
	Sistem penggerak tidak bekerja secara benar.	Mintalah pusat servis resmi setempat untuk melakukan perbaikan.
Motor berhenti setelah digunakan sebentar.	Daya baterai rendah.	Isi ulang daya baterai. Jika pengisian ulang daya tidak berhasil, gantilah baterai.
	Panas berlebih.	Hentikan penggunaan mesin untuk memungkinkannya mendingin.
Mesin tidak mencapai RPM maksimum.	Baterai dipasang secara tidak tepat.	Pasang kartrid baterai sebagaimana diuraikan dalam buku petunjuk ini.
	Daya baterai menurun.	Isi ulang daya baterai. Jika pengisian ulang daya tidak berhasil, gantilah baterai.
	Sistem penggerak tidak bekerja secara benar.	Mintalah pusat servis resmi setempat untuk melakukan perbaikan.
Peralatan pemotong tidak berputar: ⇒ segera hentikan mesin!	Benda asing seperti cabang terjepit di antara pelindung dan alat pemotong.	Singkirkan objek asing tersebut.
	Sistem penggerak tidak bekerja secara benar.	Mintalah pusat servis resmi setempat untuk melakukan perbaikan.
Getaran tidak normal: ⇒ segera hentikan mesin!	Salah satu ujung tali nilon telah putus.	Tekan kepala pemotongan nilon ke permukaan tanah saat berputar untuk mengulurkan talinya.
	Sistem penggerak tidak bekerja secara benar.	Mintalah pusat servis resmi setempat untuk melakukan perbaikan.
Mesin pemotongan tidak dapat berhenti: ⇒ Segera lepaskan baterai!	Gangguan listrik atau elektronik.	Lepas baterai dan mintalah pusat servis resmi setempat untuk melakukan perbaikan.

AKSESORI PILIHAN

⚠PERINGATAN: Hanya gunakan aksesoris yang direkomendasikan atau perangkat tambahan yang ditunjukkan dalam petunjuk penggunaan ini. Penggunaan aksesoris atau perangkat tambahan lainnya dapat mengakibatkan cedera serius.

⚠PERHATIAN: Dianjurkan untuk menggunakan aksesoris atau perangkat tambahan ini dengan mesin Makita Anda yang ditentukan dalam petunjuk ini. Penggunaan aksesoris atau perangkat tambahan lain bisa menyebabkan risiko cedera pada manusia. Hanya gunakan aksesoris atau perangkat tambahan sesuai dengan peruntukannya.

Jika Anda memerlukan bantuan lebih rinci berkenaan dengan aksesoris ini, tanyakan pada Pusat Layanan Makita terdekat.

- Mata pisau pemotong
- Kepala pemotongan nilon
- Tali nilon (garis pemotongan)
- Bilah pisau plastik
- Baterai dan pengisi daya asli buatan Makita

CATATAN: Beberapa item dalam daftar tersebut mungkin sudah termasuk dalam paket mesin sebagai aksesoris standar. Hal tersebut dapat berbeda dari satu negara ke negara lainnya.

SPEKIFIKASI

Model:		DUR194
Jenis pemegang		Pemegang gelung
Kelajuan tanpa beban		2: 6,000 min ⁻¹ 1: 4,500 min ⁻¹
Panjang keseluruhan (tanpa alat memotong)		1,580 mm
Diameter kord nilon		2.0 mm
Alat dan diameter memotong yang boleh guna	Bilah gigi 8 (P/N 191Y44-2)	200 mm
	Kepala pemotong nilon (P/N 198893-8, 191D89-4)	280 mm
	Bilah plastik (P/N 191Y45-0)	230 mm
Voltan terkadar		D.C. 18 V
Berat bersih		2.6 - 2.9 kg

- Disebabkan program penyelidikan dan pembangunan kami yang berterusan, spesifikasi yang terkandung di dalam ini adalah tertakluk kepada perubahan tanpa notis.
- Spesifikasi mungkin berbeza mengikut negara.
- Berat mungkin berbeza bergantung kepada pemasangan, termasuk kartrij bateri. Kombinasi paling ringan dan paling berat, mengikut Prosedur EPTA 01/2014, ditunjukkan di dalam jadual.

Kartrij bateri dan pengecas yang boleh digunakan

Kartrij bateri	BL1815N / BL1820B / BL1830B / BL1840B / BL1850B / BL1860B
Pengecas	DC18RC / DC18RD / DC18RE / DC18SD / DC18SE / DC18SF / DC18SH

- Sesetengah kartrij bateri dan pengecas yang disenaraikan di atas mungkin tidak tersedia bergantung pada kawasan kediaman anda.

⚠️ AMARAN: Hanya menggunakan kartrij bateri dan pengecas yang disenaraikan di atas. Penggunaan mana-mana kartrij bateri dan pengecas lain boleh menyebabkan kecederaan dan/atau kebakaran.

Sumber kuasa bersambung kord yang disyorkan

Pek kuasa mudah alih	PDC01
----------------------	-------

- Sumber kuasa bersambung kord yang disenaraikan di atas mungkin tidak tersedia bergantung pada kawasan kediaman anda.
- Sebelum menggunakan sumber kuasa bersambung kord, baca arahan dan tanda peringatan.

Simbol

Berikut menunjukkan simbol-simbol yang boleh digunakan untuk alat ini. Pastikan anda memahami maksudnya sebelum menggunakan.

	Sila gunakan dengan berhati-hati dan penuh perhatian.
	Baca manual arahan.
	Kekalkan jarak sekurang-kurangnya 15 m.
	Bahaya; berhati-hati dengan objek terbang.

	Perhatian; tolak keluar
	Pakai topi keledar, gogal dan pelindung telinga.
	Pakai sarung tangan pelindungan.
	Pakai but yang tegap dengan tapak tak gelincir. But keselamatan bahagian jari kaki keluli adalah disyorkan.
	Amaran; Cabut bateri sebelum penyelenggaraan.
	Jangan dedahkan kepada kelembapan.



Hanya untuk negara-negara EU
Disebabkan kehadiran komponen berbahaya dalam peralatan, sisa peralatan elektrik dan elektronik, akumulator dan bateri boleh memberi kesan negatif terhadap persekitaran dan kesihatan manusia.

Jangan buang alat elektrik dan elektronik atau bateri bersama dengan bahan buangan isi rumah!

Mengikut Arahan Eropah mengenai sisa peralatan elektrik dan elektronik dan mengenai akumulator dan bateri dan sisa akumulator dan bateri serta penyesuaian dengan undang-undang negara, sisa peralatan elektrik, bateri dan akumulator hendaklah disimpan secara berasingan dan dihantar ke tempat pengumpulan berasingan untuk sisa perbandaran, beroperasi mengikut peraturan perlindungan persekitaran. Ini ditunjukkan oleh simbol tong sampah beroda yang bersilang pada peralatan.



Aras kuasa bunyi terjamin menurut Arahan Redam Di Luar Kesatuan Eropah.



Aras kuasa bunyi menurut Peraturan Kawalan Redam NSW, Australia

AMARAN KESELAMATAN

Amaran keselamatan umum alat kuasa

AMARAN: Baca semua amaran keselamatan, arahan, ilustrasi dan spesifikasi yang disediakan dengan alat kuasa ini. Kegagalan mengikut amaran dan arahan boleh menyebabkan kejutan elektrik, kebakaran dan/atau kecederaan serius.

Simpan semua amaran dan arahan untuk rujukan masa depan.

Istilah "alat kuasa" dalam amaran merujuk kepada alat kuasa yang menggunakan tenaga elektrik (kabel) atau alat kuasa yang menggunakan bateri (tanpa kord).

Keselamatan kawasan kerja

1. **Pastikan kawasan kerja bersih dan terang.** Kawasan berselerak atau gelap mengundang kemalangan.
2. **Jangan kendalikan alat kuasa dalam keadaan yang mudah meletup, seperti dalam kehadiran cecair, gas atau habuk yang mudah terbakar.** Alat kuasa menghasilkan percikan api yang boleh menyalakan debu atau wasap.
3. **Jauhkan kanak-kanak dan orang ramai semasa mengendalikan alat kuasa.** Gangguan boleh menyebabkan anda hilang kawalan.

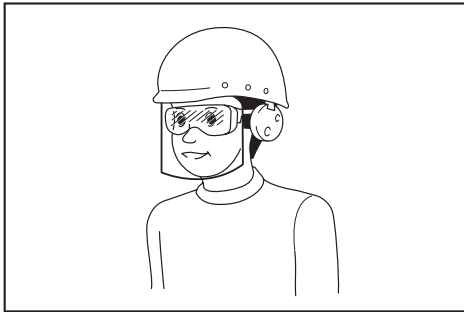
Keselamatan elektrik

1. **Palam alat kuasa mesti sepadan dengan soket. Jangan ubah suai palam dalam apa cara sekalipun. Jangan gunakan sebarang palam penyesuai dengan alat kuasa terbumi.** Palam yang tidak diubah suai dan soket yang sepadan akan mengurangkan risiko kejutan elektrik.
2. **Elakkan sentuhan badan dengan permukaan terbumi, seperti paip, radiator, dapur dan peti sejuk.** Terdapat peningkatan risiko kejutan elektrik jika elektrik terbumi terkena badan anda.
3. **Jangan biarkan alat kuasa terkena hujan atau basah.** Air yang memasuki alat kuasa akan meningkatkan risiko kejutan elektrik.
4. **Jangan salah gunakan kord. Jangan gunakan kord untuk membawa, menarik atau mencabut palam alat kuasa. Jauhkan kord dari haba, minyak, bucu tajam atau bahagian yang bergerak.** Kord yang rosak atau tersimpul meningkatkan risiko kejutan elektrik.
5. **Semasa mengendalikan alat kuasa di luar, gunakan kord sambungan yang bersesuaian untuk kegunaan luar.** Penggunaan kord yang sesuai untuk kegunaan luar mengurangkan risiko kejutan elektrik.
6. **Sekiranya pengendalian alat kuasa di lokasi lembap tidak dapat dielakkan, gunakan bekalan peranti arus sisa (RCD) yang dilindungi.** Penggunaan RCD mengurangkan risiko kejutan elektrik.
7. **Alat kuasa boleh menghasilkan medan elektromagnetik (EMF) yang tidak berbahaya kepada pengguna.** Walau bagaimanapun, pengguna perentak jantung atau peranti perubatan yang serupa harus menghubungi pembuat peranti mereka dan/atau doktor untuk nasihat sebelum mengendalikan alat kuasa ini.

Keselamatan diri

1. **Sentiasa berwaspada, perhatikan apa yang anda lakukan dan guna akal budi semasa mengendalikan alat kuasa. Jangan gunakan alat kuasa semasa anda letih atau di bawah pengaruh dadah, alkohol atau ubat.** Kelelahan seketika semasa mengendalikan alat kuasa boleh menyebabkan kecederaan diri yang serius.
2. **Gunakan peralatan pelindung diri. Sentiasa pakai pelindung mata.** Peralatan pelindung seperti topeng debu, kasut keselamatan tak mudah tergelincir, topi keselamatan atau pelindung pendengaran yang digunakan untuk keadaan yang sesuai akan mengurangkan kecederaan diri.
3. **Elakkan permulaan yang tidak disengajakan. Pastikan suis ditutup sebelum menyambung kepada sumber kuasa dan/atau pek bateri, semasa mengangkat atau membawa alat.** Membawa alat kuasa dengan jari anda pada suis atau mentenagakan alat kuasa dengan suis pada kedudukan hidup mengundang kemalangan.
4. **Alihkan sebarang kunci atau sepana pelaras sebelum menghidupkan alat kuasa.** Sepana atau kunci yang ditinggalkan pada bahagian berputar alat kuasa boleh menyebabkan kecederaan diri.

5. **Jangan lampau jangkau. Jaga pijakan dan keseimbangan yang betul pada setiap masa.** Ini membolehkan kawalan alat kuasa yang lebih baik dalam situasi yang tidak dijangka.
6. **Berpakaian dengan betul. Jangan pakai pakaian yang longgar atau barang kemas. Jauhkan rambut dan pakaian anda dari bahagian yang bergerak.** Pakaian longgar, barang kemas atau rambut yang panjang boleh terperangkap dalam bahagian yang bergerak.
7. **Jika peranti disediakan untuk sambungan kemudahan pengekstrakan dan pengumpulan habuk, pastikan ia disambung dan digunakan dengan betul.** Penggunaan pengumpulan habuk boleh mengurangkan bahaya berkaitan habuk.
8. **Jangan biarkan kebiasaan daripada kekerapan penggunaan alat membuatkan anda berpuas hati dan mengabaikan prinsip keselamatan alat.** Kecuaian boleh menyebabkan kecederaan serius dalam sekelip mata.
9. **Sentiasa pakai gogal pelindung untuk melindungi mata anda daripada kecederaan apabila menggunakan alat kuasa. Gogal mestilah mematuhi ANSI Z87.1 di AS, EN 166 di Eropah, atau AS/NZS 1336 di Australia/New Zealand. Di Australia/New Zealand, undang-undang mengarahkan untuk memakai pelindung muka bagi melindungi muka anda, juga.**
3. **Cabut palam dari sumber kuasa dan/atau keluarkan pek bateri, jika boleh ditanggalkan, dari alat kuasa sebelum membuat sebarang pelarasan, menukar aksesori, atau menyimpan alat kuasa.** Langkah-langkah keselamatan pencegahan sedemikian mengurangkan risiko memulakan alat kuasa secara tidak sengaja.
4. **Simpan alat kuasa yang tidak digunakan jauh dari jangkauan kanak-kanak dan jangan biarkan orang yang tidak biasa dengan alat kuasa atau arahan ini untuk mengendalikan alat kuasa.** Alat kuasa adalah berbahaya di tangan pengguna yang tidak terlatih.
5. **Menyelenggara alat kuasa dan aksesori. Periksa salah jajaran atau ikatan pada bahagian yang bergerak, bahagian yang pecah dan apa-apa keadaan lain yang boleh menjejaskan operasi alat kuasa. Jika rosak, baiki alat kuasa sebelum digunakan.** Kebanyakan kemalangan adalah disebabkan oleh alat kuasa yang tidak dijaga dengan baik.
6. **Pastikan alat pemotong tajam dan bersih.** Alat pemotong yang dijaga dengan betul dengan hujung pemotong yang tajam mempunyai kemungkinan yang rendah untuk terikat dan lebih mudah dikendalikan.
7. **Gunakan alat kuasa, aksesori dan alat bit dan sebagainya mengikut arahan ini dengan mengambil kira keadaan kerja dan kerja yang perlu dilakukan.** Penggunaan alat kuasa untuk operasi yang berbeza dari yang dimaksudkan boleh menyebabkan keadaan berbahaya.
8. **Pastikan pemegang dan permukaan pegangan kering, bersih dan bebas dari minyak dan gris.** Pemegang dan permukaan pegangan yang licin tidak membolehkan pengendalian dan kawalan selamat bagi alat dalam situasi yang tidak dijangka.
9. **Apabila menggunakan alat, jangan pakai sarung tangan kerja kain yang mungkin boleh kusut.** Kekusutan sarung tangan kerja kain pada bahagian yang bergerak boleh menyebabkan kecederaan diri.



Menjadi tanggungjawab majikan untuk menguatkuasa penggunaan peralatan perlindungan keselamatan yang bersesuaian oleh pengendali alat dan oleh orang lain dalam kawasan bekerja semasa.

Penggunaan dan penjagaan alat kuasa

1. **Jangan gunakan alat kuasa dengan kasar. Gunakan alat kuasa yang betul untuk penggunaan anda.** Alat kuasa yang betul akan melakukan tugas dengan lebih baik dan lebih selamat pada kadar mana ia direka cipta.
2. **Jangan gunakan alat kuasa jika suis tidak berfungsi untuk menghidupkan dan mematikannya.** Alat kuasa yang tidak dapat dikawal dengan suis adalah berbahaya dan mesti dibaiki.
3. **Cas semula dengan pengecas yang ditentukan oleh pengeluar sahaja.** Pengecas yang sesuai untuk satu jenis pek bateri mungkin menimbulkan risiko kebakaran apabila digunakan dengan pek bateri lain.
2. **Gunakan alat kuasa dengan pek bateri yang ditentukan secara khusus sahaja.** Penggunaan mana-mana pek bateri lain mungkin menimbulkan risiko kecederaan dan kebakaran.
3. **Apabila pek bateri tidak digunakan, jauhkan daripada objek besi lain, seperti klip kertas, duit syiling, paku, skru atau objek besi kecil lain, yang boleh membuat sambungan dari satu terminal ke yang lain.** Memintam terminal bateri bersama-sama mungkin menyebabkan lecuran atau kebakaran.

4. Di bawah keadaan kasar, cecair mungkin dikeluarkan daripada bateri; elakkan sentuhan. Jika tersentuh secara tidak sengaja, siram dengan air. Jika cecair terkena mata, dapatkan bantuan perubatan di samping siraman air. Cecair yang dikeluarkan dari bateri mungkin menyebabkan kegatalan atau lecuran.
5. **Jangan gunakan pek bateri atau alat yang rosak atau diubah suai.** Bateri yang rosak atau diubah suai mungkin menunjukkan perilaku yang tidak dijangka menyebabkan kebakaran, letupan atau risiko kecederaan.
6. **Jangan dedahkan pek bateri atau alat kepada api atau suhu yang berlebihan.** Pendedahan kepada api atau suhu melebihi 130 °C mungkin menyebabkan letupan.
7. **Ikut semua arahan pengesanan dan jangan cas pek bateri atau alat di luar julat suhu yang ditetapkan dalam arahan.** Mengecas dengan tidak betul atau pada suhu di luar julat yang dinyatakan mungkin merosakkan bateri dan meningkatkan risiko kebakaran.
2. Sebelum memulakan alat, baca arahan ini untuk membiasakan diri dengan pengendalian alat.
3. Jangan memberi alat tersebut kepada orang yang tidak mempunyai pengalaman atau pengetahuan yang mencukupi mengenai pengendalian pemotong berus dan tali pemangkas.
4. Apabila meminjamkan alat itu, sentiasa lampirkan manual arahan ini.
5. Pegang alat dengan penuh berhati-hati dan perhatian.
6. Jangan gunakan alat ini selepas meminum alkohol atau ubat, atau jika merasa letih atau sakit.
7. Jangan cuba mengubah suai alat ini.
8. Ikut peraturan mengenai pengendalian pemotong berus dan tali pemangkas di negara anda.

Peralatan pelindung diri

► Rajah1

1. Pakai topi keledar keselamatan, kaca mata dan sarung tangan perlindungan untuk melindungi diri anda dari serpihan terbang atau objek jatuh.
2. Pakai perlindungan telinga seperti sarung telinga untuk mengelakkan kehilangan pendengaran.
3. Pakai pakaian yang sesuai dan kasut untuk operasi yang selamat, seperti kerja keseluruhan dan kukuh, kasut tidak licin. Jangan memakai pakaian yang longgar atau barang kemas. Pakaian longgar, barang kemas atau rambut yang panjang boleh terperangkap dalam bahagian yang bergerak.
4. Apabila menyentuh bilah memotong, pakai sarung tangan pelindung. Memotong bilah boleh memotong tangan dengan teruk.

Keselamatan kawasan kerja

1. Mengendalikan alat hendaklah di bawah penglihatan yang baik dan keadaan siang sahaja. Jangan gunakan alat ini dalam kegelapan atau kabus.
2. Jangan kendalikan alat dalam atmosfera yang mudah meletup, seperti dengan kehadiran cecair mudah bakar, gas atau debu. Alat ini menghasilkan percikan api yang boleh menyalakan debu atau asap.
3. Semasa operasi, jangan sekali-kali berdiri di atas permukaan yang tidak stabil atau licin atau cerun curam. Semasa musim sejuk, berhati-hati dengan ais dan salji dan sentiasa memastikan memijak selamat.
4. Semasa operasi, pastikan pemerhati atau haiwan sekurang-kurangnya 15 m jauh dari alat tersebut. Hentikan alat itu sebaik sahaja seseorang mendekati.
5. Jangan sekali-kali kendalikan alat ketika orang, terutamanya kanak-kanak atau haiwan peliharaan berdekatan.

Servis

1. Pastikan alat kuasa anda diservis oleh orang yang berkelayakan dengan hanya menggunakan alat ganti yang sama. Ini akan memastikan keselamatan alat kuasa dapat dikekalkan.
2. Jangan servis pek bateri yang telah rosak. Servis pek bateri hanya boleh dilakukan oleh pengeluar atau penyedia servis yang sah.
3. Ikut arahan untuk melincir dan menukar aksesori.

Arahan keselamatan penting untuk alat

⚠AMARAN: Baca semua amaran keselamatan dan semua arahan. Kegagalan mematuhi amaran dan arahan boleh menyebabkan kejutan elektrik, kebakaran dan/atau kecederaan serius.

Simpan semua amaran dan arahan untuk rujukan masa depan.

Tujuan penggunaan

1. Alat ini hanya bertujuan untuk memotong rumput, rumpai, semak dan belukar. Ia tidak boleh digunakan untuk sebarang tujuan lain seperti tepi atau memotong pagar tanaman kerana ini boleh menyebabkan kecederaan.

Arahan umum

1. Jangan sekali-kali membenarkan orang yang tidak mengetahui arahan ini, orang (termasuk kanak-kanak) dengan keupayaan fizikal, deria atau mental yang kurang, atau kurang pengalaman dan pengetahuan untuk menggunakan alat ini. Kanak-kanak harus diselia untuk memastikan mereka tidak bermain dengan alat ini.

6. **Sebelum operasi, periksa kawasan kerja untuk batu atau objek keras lain.** Mereka boleh tercampak atau menyebabkan tolak keluar berbahaya dan mengakibatkan kecederaan serius dan/atau kerosakan harta benda.
7. **⚠AMARAN:** Penggunaan produk ini boleh menghasilkan habuk yang mengandungi bahan kimia yang boleh menyebabkan penyakit pernafasan atau lain-lain penyakit. Beberapa contoh bahan kimia ini adalah sebatian yang terdapat dalam racun perosak, racun serangga, baja dan racun rumpai. Risiko dari pendedahan ini berbeza-beza, bergantung kepada bagaimana selalu anda melakukan kerja jenis ini. Untuk mengurangkan pendedahan anda terhadap bahan kimia ini: bekerja di kawasan pengudaraan yang baik dan bekerja dengan peralatan keselamatan yang diluluskan, seperti topeng habuk yang direka khas untuk menyaring zarah mikroskopik.
3. **Sebelum memasang kartrij bateri, periksa alat kerosakan, skru longgar/nat atau pemasangan yang tidak betul.** Mengasah bilah pemotong yang tumpul. Jika bilah pemotong bengkok atau rosak, gantikannya. Periksa semua tuil kawalan dan suis untuk tindakan yang mudah. Bersihkan dan keringkan pemegang.
4. **Jangan cuba untuk menghidupkan alat jika ia rosak atau tidak dipasang sepenuhnya.** Jika tidak, kecederaan serius mungkin berlaku.
5. **Laraskan abah-abah bahu dan genggam tangan untuk disesuaikan dengan saiz badan pengendali.**
6. **Apabila memasukkan kartrij bateri, simpan pemasangan pemotongan dari tubuh dan objek lain, termasuk tanah.** Ia mungkin berputar apabila mula dan boleh menyebabkan kecederaan atau kerosakan pada alat dan/atau harta benda.
7. **Keluarkan sebarang kunci pelarasan, sepana atau penutup bilah sebelum menghidupkan alat tersebut.** Aksesori yang tinggal dilekatkan pada bahagian berputar alat boleh mengakibatkan kecederaan peribadi.

Keselamatan elektrik dan bateri

1. **Jangan dedahkan alat itu kepada hujan atau keadaan basah.** Air yang memasuki alat akan meningkatkan risiko kejutan elektrik.
2. **Jangan gunakan alat jika suis tidak dihidupkan atau dimatikan.** Mana-mana alat yang tidak dapat dikendalikan dengan suis adalah berbahaya dan hendaklah diperbaiki.
3. **Elakkan permulaan yang tidak disengajakan.** Pastikan suis berada di luar kedudukan sebelum memasang pek bateri, mengambil atau membawa alat itu. Membawa alat dengan jari anda pada suis atau memberi tenaga pada alat kuasa dengan suis pada kedudukan hidup mengundang kemalangan.
4. **Jangan hapuskan bateri dengan membakarnya.** Sel mungkin meletup. Periksa dengan kod tempatan untuk kemungkinan arahan pelupusan khas.
5. **Jangan buka atau merosakkan bateri.** Elektrolit yang dibebaskan adalah menghakis dan boleh menyebabkan kerosakan kepada mata atau kulit. Ia mungkin toksik jika tertelan.
6. **Jangan cas bateri dalam hujan, atau di lokasi yang basah.**
7. **Elakkan persekitaran yang bahaya.** Jangan gunakan alat dalam lokasi sampah atau basah atau mendedahkannya kepada hujan. Air yang memasuki alat akan meningkatkan risiko kejutan elektrik.
8. **Jangan cas bateri di luar.**
9. **Jangan kendalikan pengecas, termasuk palam pengecas, dan terminal pengecas dengan tangan yang basah.**
8. **Alat pemotong harus dilengkapi dengan pelindung.** Jangan sekali-kali jalankan alat dengan pelindung yang rosak atau tanpa pelindung di tempat!
9. **Pastikan tiada kabel elektrik, paip air, paip gas dan sebagainya yang boleh menyebabkan bahaya jika rosak dengan menggunakan alat ini.**

Pengendalian

1. **Jika berlaku kecemasan, matikan alat ini dengan segera.**
2. **Jika anda merasakan sebarang keadaan yang luar biasa (cth. bunyi bising, getaran) semasa operasi, matikan alat dan keluarkan kartrij bateri.** Jangan gunakan alat sehingga punca diketahui dan diselesaikan.
3. **Pemasangan pemotongan terus berputar untuk tempoh yang singkat selepas mematikan alat.** Jangan tergesa-gesa untuk menyambung pemasangan pemotongan.
4. **Semasa operasi, gunakan abah-abah bahu.** Simpan alat di sebelah kanan anda dengan tegas.
5. **Jangan lampau jangkau.** Jaga pijakan dan keseimbangan yang betul pada setiap masa. Perhatikan halangan tersembunyi seperti tunggul pokok, akar dan parit untuk mengelakkan kesulitan.
6. **Sentiasa pastikan pijakan anda pada cerun.**
7. **Berjalan, jangan sekali-kali berlari.**
8. **Jangan bekerja di tangga atau pokok untuk mengelakkan kehilangan kawalan.**
9. **Jika alat itu mendapat kesan berat atau jatuh, periksa keadaan sebelum meneruskan kerja.** Periksa kawalan dan alat keselamatan bagi pincang tugas. Jika terdapat sebarang kerosakan atau keraguan, tanya pusat servis diiktiraf untuk pemeriksaan dan pembaikan.

Meletakkan kepada operasi

1. **Sebelum memasang atau melaraskan alat itu, keluarkan kartrij bateri.**
2. **Sebelum mengendalikan bilah pemotong, pakai sarung tangan pelindung.**

10. **Rehat sebentar untuk mengelakkan hilang kawalan akibat letih.** Kami cadangkan anda untuk berehat 10 hingga 20 minit setiap jam.
11. **Apabila anda meninggalkan alat itu, walaupun jika hanya adalah masa yang singkat, sentiasa keluarkan kartrij bateri.** Alat tanpa pengawasan dengan kartrij bateri yang dipasang mungkin digunakan oleh orang tanpa kebenaran dan menyebabkan kemalangan serius.
12. **Jika rumput atau dahan tersangkut di antara pemasangan memotong dan pelindung, sentiasa buka alat dan keluarkan kartrij bateri sebelum membersihkannya.** Jika tidak, pemasangan memotong mungkin berputar secara tidak sengaja dan menyebabkan kecederaan serius.
13. **Jangan sekali-kali menyentuh bahagian bahaya yang bergerak sebelum bahagian bahaya yang bergerak berhenti dan kartrij bateri dikeluarkan.**
14. **Jika penyambung memotong batu atau objek keras lain, matikan alat secepat mungkin. Kemudian keluarkan kartrij bateri dan periksa penyambung memotong.**
15. **Periksa penyambung memotong dengan kerap semasa operasi untuk retak atau kerosakan. Sebelum pemeriksaan, tanggalkan kartrij bateri dan tunggu sehingga penyambung memotong berhenti sepenuhnya. Gantikan penyambung memotong yang rosak dengan serta-merta, walaupun hanya retak luaran.**
16. **Jangan sekali-kali potong di atas ketinggian pinggang.**
17. **Sebelum memulakan operasi pemotongan, tunggu sehingga penyambung memotong mencapai kelajuan yang berterusan selepas menghidupkan alat tersebut.**
18. **Apabila menggunakan bilah memotong, ayunkan alat secara merata di separuh bulatan dari kanan ke kiri, seperti menggunakan sabit.**
19. **Pegang alat dengan permukaan mencengkam tertebat sahaja, kerana bilah pemotong boleh tersentuh wayar tersembunyi.** Bilah pemotong yang bersentuh dengan wayar "hidup" boleh menyebabkan bahagian logam terdedah alat "hidup" dan boleh memberi kejutan elektrik kepada pengendali.
20. **Jangan mulakan alat apabila alat memotong berselisir dengan rumput memotong.**
21. **Sebelum memulakan alat, pastikan alat memotong tidak menyentuh tanah dan halangan lain seperti pokok.**
22. **Semasa operasi, sentiasa pegang alat dengan kedua-dua belah tangan. Jangan sekali-kali pegang alat dengan sebelah tangan semasa penggunaan.**
23. **Jangan kendalikan alat dalam cuaca buruk atau jika terdapat risiko kilat.**

Alat-alat memotong

1. **Jangan gunakan alat memotong yang tidak dicadangkan oleh kami.**
2. **Gunakan penyambung memotong yang sesuai untuk kerja di tangan.**
 - Kepala memotong nilon (kepala tali pemangkas) dan bilah plastik adalah sesuai untuk memangkas halaman rumput.
 - Bilah memotong sesuai untuk memotong rumput, rumput tinggi, semak, pokok renek, kayu bawah tanah, belukar, dan sebagainya.
 - Jangan sekali-kali menggunakan bilah lain termasuk rantai logam berputar pelbagai potongan dan bilah tebas. Ia boleh mengakibatkan kecederaan serius.
3. **Hanya guna alat memotong yang ditandai dengan kelajuan yang sama atau lebih tinggi daripada kelajuan yang ditandakan pada alat itu.**
4. **Sentiasa pastikan tangan anda, muka, dan pakaian jauh dari alat memotong apabila ia berputar.** Gagal berbuat demikian boleh menyebabkan kecederaan peribadi.
5. **Sentiasa gunakan pelindung penyambung memotong yang sesuai untuk penyambung memotong yang digunakan.**
6. **Apabila menggunakan bilah memotong, elakkan tolak keluar dan sentiasa bersiap untuk kemalangan tolak keluar. Lihat bahagian untuk Tolak keluar.**
7. **Apabila tidak digunakan, pasang penutup bilah kepada bilah. Tanggalkan penutup sebelum operasi.**

Tolak keluar (Tujuh bilah)

1. **Tolak keluar (tujuh bilah) adalah tindak balas secara tiba-tiba kepada bilah memotong yang tersangkut atau terikat. Sebaik sahaja ia berlaku, alat itu dibuang ke tepi jalan atau ke arah pengendali dengan kuat dan ia boleh menyebabkan kecederaan serius.**
2. **Tolak keluar berlaku terutamanya apabila menggunakan segmen bilah antara 12 dan 2 jam kepada objek keras, semak dan pokok dengan diameter 3 cm atau lebih besar.**

► Rajah2

3. **Untuk mengelakkan tolak keluar:**
 1. **Menggunakan segmen antara 8 dan 11 jam.**
 2. **Jangan sekali-kali menggunakan segmen antara 12 dan 2 jam.**
 3. **Jangan sekali-kali menggunakan segmen antara 11 dan 12 jam dan antara 2 dan 5 jam, kecuali pengendali terlatih dan berpengalaman dan melakukan atas risikonya sendiri.**
 4. **Jangan gunakan bilah memotong berhampiran dengan objek keras, seperti pagar, dinding, batang pokok dan batu.**
 5. **Jangan gunakan bilah memotong secara menegak, untuk operasi seperti tepi atau memangkas pagar tanaman.**

► Rajah3

Getaran

1. Orang yang mempunyai peredaran darah yang lemah yang terdedah kepada getaran berlebihan boleh mengalami kecederaan pada saluran darah atau sistem saraf. Getaran boleh menyebabkan gejala berikut berlaku pada jari, tangan atau pergelangan tangan: "Jatuh tidur" (mati rasa), sesemut, sakit, menusuk sensasi, perubahan warna kulit atau kulit. Jika mana-mana gejala ini berlaku, jumpa doktor!
2. Untuk mengurangkan risiko "penyakit jari putih", sentiasa kekalkan tangan anda hangat semasa operasi dan selenggarakan alat dan aksesori dengan baik.

Pengangkutan

1. Sebelum mengangkut alat itu, matikan dan keluarkan kartrij bateri. Pasang penutup ke bilah memotong.
2. Apabila mengangkut alat, bawa ia dalam kedudukan mendatar dengan memegang batang aci.
3. Apabila mengangkut alat di dalam kenderaan, mengawalinya dengan selamat untuk mengelak dari pusing ganti. Jika tidak, kerosakan pada alat dan bagasi lain mungkin berlaku.

Penyelenggaraan

1. Adakah alat anda diservis oleh pusat khidmat kami yang sah, selalu menggunakan hanya alat pengganti yang asli. Pembaikan yang tidak betul dan penyelenggaraan yang tidak betul boleh memendekkan hayat alat dan meningkatkan risiko kemalangan.
2. Sebelum melakukan apa-apa kerja penyelenggaraan atau pembaikan atau membersihkan alat itu, sentiasa mematikan dan mengeluarkan kartrij bateri.
3. Sentiasa pakai sarung tangan semasa mengendalikan bilah memotong.
4. Sentiasa bersihkan habuk dan kotoran dari alat. Jangan sekali-kali menggunakan gasolin, benzin, pencair, alkohol atau sebagainya untuk tujuan itu. Perubahan warna, ubah bentuk atau retak pada komponen plastik boleh berlaku.
5. Selepas setiap penggunaan, ketatkan semua skru dan nat.
6. Jangan cuba sebarang penyelenggaraan atau pembaikan yang tidak diterangkan dalam manual arahan. Tanya pusat khidmat kami yang sah untuk kerja sedemikian.
7. Sentiasa gunakan alat ganti dan aksesori asli kami sahaja. Menggunakan bahagian atau aksesori yang dibekalkan oleh pihak ketiga boleh mengakibatkan kerosakan alat, kerosakan harta benda dan/atau kecederaan serius.
8. Minta pusat servis yang dibenarkan kami untuk memeriksa dan menyelenggara alat pada jarak selang masa.
9. Sentiasa pastikan alat dalam keadaan baik. Penyelenggaraan yang tidak betul boleh menyebabkan prestasi kurang dan memendekkan hayat alat.

Penyimpanan

1. Sebelum menyimpan alat itu, lakukan pembersihan dan penyelenggaraan penuh. Keluarkan kartrij bateri. Pasang penutup ke bilah memotong.
2. Simpan alat di tempat yang kering dan tinggi atau terkunci daripada jangkauan kanak-kanak.
3. Jangan menyendal alat pada sesuatu, seperti dinding. Jika tidak, ia boleh jatuh dan menyebabkan kecederaan.

Pertolongan cemas

1. Sentiasa mempunyai kit pertolongan cemas berdekatan. Segera gantikan barang yang diambil dari kit pertolongan cemas.
2. Apabila minta bantuan, berikan maklumat berikut:
 - Tempat kemalangan
 - Apa berlaku
 - Jumlah orang yang cedera
 - Sifat kecederaan
 - Nama anda

SIMPAN ARAHAN INI.

AMARAN: JANGAN biarkan keselesaan atau kebiasaan dengan produk (daripada penggunaan berulang) menggantikan pematuhan ketat terhadap peraturan keselamatan untuk produk yang ditetapkan. SALAH GUNA atau kegagalan mematuhi peraturan-peraturan keselamatan yang dinyatakan dalam manual arahan ini boleh menyebabkan kecederaan diri yang serius.

Arahan keselamatan penting untuk kartrij bateri

1. Sebelum menggunakan kartrij bateri, baca semua arahan dan tanda amaran pada (1) pengecas bateri, (2) bateri, dan (3) produk menggunakan bateri.
2. Jangan buka atau cabut kartrij bateri. Ia boleh mengakibatkan kebakaran, haba berlebihan, atau letupan.
3. Jika masa operasi menjadi sangat pendek, berhenti operasi serta merta. Ia mungkin menyebabkan risiko pemanasan lampau, melecur bahkan letupan.
4. Jika elektrolit masuk ke dalam mata anda, bilas mata dengan air jernih dan dapatkan rawatan perubatan serta merta. Ia mungkin menyebabkan kehilangan penglihatan.
5. Jangan pintaskan kartrij bateri:
 - (1) Jangan sentuh terminal dengan bahan berkonduksi.
 - (2) Elakkan menyimpan kartrij bateri dalam bekas bersama-sama objek besi lain seperti paku, duit syiling, dll.

- (3) Jangan dedahkan kartrij bateri kepada air atau hujan. Pintasan bateri boleh menyebabkan aliran kuasa yang besar, pemanasan lampau, melecur dan juga kerosakan.
6. Jangan simpan dan gunakan alat dan kartrij bateri di lokasi yang suhunya mungkin mencapai atau melebihi 50 °C (122 °F).
 7. Jangan bakar kartrij bateri walaupun jika ia rosak teruk atau haus sepenuhnya. Kartrij bateri boleh meletup dalam kebakaran.
 8. Jangan paku, potong, pecahkan, buang, jatuhkan kartrij bateri, atau tekan objek keras pada kartrij bateri. Perbuatan sedemikian boleh mengakibatkan kebakaran, haba berlebihan, atau letupan.
 9. Jangan gunakan bateri yang rosak.
 10. **Bateri litium ion yang terkandung adalah tertakluk kepada keperluan Perundangan Barangan Berbahaya.** Bagi pengangkutan komersil cth. oleh pihak ketiga, ejen penghantar, keperluan khas pada pembungkusan dan pelabelan mestilah diperhatikan. Bagi persediaan item yang dihantar, berunding dengan pakar bahan berbahaya adalah diperlukan. Sila juga perhatikan sebolehnya peraturan kebangsaan yang lebih terperinci. Lekatkan atau balut bahagian terbuka dan pek bateri supaya ia tidak bergerak dalam pembungkusan.
 11. **Apabila melupuskan kartrij bateri, keluarkan ia daripada alat dan lupuskan ia di tempat selamat. Ikut peraturan tempatan anda mengenai pelupusan bateri.**
 12. **Gunakan bateri hanya dengan produk yang ditentukan oleh Makita.** Memasang bateri kepada produk yang tidak patuh mungkin menyebabkan kebakaran, pemanasan lampau, atau kebocoran elektrolit.
 13. **Jika alat tidak digunakan untuk tempoh masa yang lama, bateri mesti dikeluarkan daripada alat.**
 14. **Semasa dan selepas penggunaan, kartrij bateri mungkin ada haba yang boleh menyebabkan terbakar atau suhu rendah terbakar. Beri perhatian kepada pengendalian kartrij bateri yang panas.**
 15. **Jangan sentuh terminal alat itu selepas digunakan kerana ia mungkin panas menyebabkan terbakar.**
 16. **Jangan biarkan cip, habuk, atau tanah terperangkap ke dalam terminal, lubang, dan alur cahaya kartrij bateri.** Ia mungkin menyebabkan pemanasan, terbakar, meletup dan pincang tugas alat atau kartrij bateri, seterusnya menyebabkan lecur atau kecederaan diri.
 17. **Melainkan alat ini menyokong penggunaan yang hampir dari talian kuasa elektrik voltan tinggi, jangan gunakan kartrij bateri berhampiran talian kuasa elektrik voltan tinggi.** Ia mungkin menyebabkan kerosakan atau pecah pada alat atau kartrij bateri.
 18. **Jauhkan bateri daripada kanak-kanak.**

SIMPAN ARAHAN INI.

⚠PERHATIAN: Hanya gunakan bateri asli Makita. Penggunaan bateri tidak asli Makita, atau bateri yang telah diubah suai, mungkin menyebabkan bateri meletup menyebabkan kebakaran, kecederaan diri dan kerosakan. Ia juga membatalkan jaminan Makita untuk alat Makita dan pengecas.

Tip untuk mengekalkan hayat bateri maksimum

1. **Cas kartrij bateri sebelum ternyata habis sepenuhnya. Sentiasa hentikan operasi alat dan cas kartrij bateri apabila anda menyedari kurang kuasa alat.**
2. **Jangan cas semula kartrij bateri yang dicas sepenuhnya. Terlebih cas memendekkan hayat servis bateri.**
3. **Cas kartrij bateri dengan suhu bilik pada 10 °C - 40 °C (50 °F - 104 °F). Biarkan kartrij bateri yang panas menyejuk sebelum mengecasnya.**
4. **Apabila tidak menggunakan kartrij bateri, tanggalkannya dari alat atau pengecas.**
5. **Cas kartrij bateri jika anda tidak gunakannya untuk tempoh yang lama (lebih daripada enam bulan).**

KETERANGAN BAHAGIAN

► Rajah4

1	Kartrij bateri	2	Tuil penukaran kelajuan	3	Pemacu suis	4	Butang buka kunci
5	Penghalang	6	Pelindung	7	Pemegang gelung	8	Penggantung
9	Abah-abah bahu	-	-	-	-	-	-

PEMASANGAN

⚠️AMARAN: Sentiasa pastikan alat dimatikan dan kartrij bateri dikeluarkan sebelum menjalankan sebarang kerja pada alat. Kegagalan untuk mematikan dan mengeluarkan kartrij bateri mungkin menyebabkan kecederaan diri yang serius daripada permulaan tanpa sengaja.

⚠️AMARAN: Jangan sekali-kali hidupkan alat melainkan ia telah dipasang sepenuhnya. Pengendalian alat dalam keadaan separa dipasang mungkin mengakibatkan kecederaan peribadi yang serius daripada permulaan tanpa sengaja.

Meyambung penghalang

Pasangkan penghalang pada pemegang gelung menggunakan skru pada penghalang.

► **Rajah5:** 1. Penghalang 2. Skru

⚠️PERHATIAN: Selepas dikumpulkan halangan, jangan mengeluarkannya. Penghalang berfungsi sebagai bahagian keselamatan untuk menghalang anda daripada berhubung bilah pemotong secara tidak sengaja.

Memasang pelindung

⚠️AMARAN: Jangan sekali-kali gunakan alat tanpa pengadang dipasang di tempatnya. Kegagalan untuk berbuat demikian boleh menyebabkan kecederaan diri yang serius.

⚠️PERHATIAN: Berwaspada supaya tidak mencederakan diri anda sendiri pada pemotong untuk memotong kord nilon.

Pasang pelindung kepada pengapit menggunakan bolt.

► **Rajah6:** 1. Pengapit 2. Bolt 3. Pelindung

Selepas memasang pelindung, tanggalkan penutup pemotong daripada pemotong.

► **Rajah7:** 1. Pemotong 2. Penutup pemotong

Sebelum memasang alat pemotong, keluarkan nat, cawan dan sesendal pengapit daripada spindel dengan memutar nat mengikut arah jam menggunakan perengkuh kotak semasa menahan butang kunci spindel.

► **Rajah8:** 1. Nat 2. Cawan 3. Sesendal pengapit 4. Spindel 5. Butang kunci spindel

Memasang alat memotong

NOTA: Jenis alat memotong yang dibekalkan sebagai aksesori standard berbeza bergantung kepada negara. Alat memotong tidak termasuk di beberapa negara.

NOTA: Menghidupkan alat terbalik supaya anda boleh menggantikan alat memotong dengan mudah.

Bilah pemotong

⚠️PERHATIAN: Apabila mengendalik bilah pemotong, sentiasa memakai sarung tangan dan letakkan penutup bilah pada bilah.

⚠️PERHATIAN: Bilah pemotong hendaklah digilap dengan baik, dan bebas daripada keretakan atau pecah. Jika bilah pemotong memukul batu semasa operasi, hentikan alat itu dan semak bilah pemotong dengan serta-merta.

⚠️PERHATIAN: Sentiasa gunakan bilah pemotong dengan diameter yang diterangkan dalam bahagian untuk spesifikasi.

► **Rajah9:** 1. Nat 2. Cawan 3. Sesendal pengapit 4. Bilah pemotong 5. Spindel 6. Pelindung 7. Butang kunci spindel

1. Pasangkan bilah pemotong kepada pelindung supaya anak panah pada bilah pemotong dan pelindung menghadap ke arah yang sama.

► **Rajah10:** 1. Anak panah

2. Letak sesendal pengapit dan cawan kepada bilah pemotong.

3. Semasa menahan butang kunci spindel, ketatkan nat dengan kuat dengan sepana kotak.

► **Rajah11:** 1. Butang kunci spindel 2. Kotak sepana 3. Longgarkan 4. Ketatkan

Untuk mengeluarkan bilah pemotong, longgarkan nat sambil menahan butang kunci spindel.

Kepala pemotong nilon

NOTIS: Pastikan untuk menggunakan kepala pemotong nilon Makita yang asli.

Semasa menahan butang kunci spindel, letak kepala pemotong nilon kepada spindel dan ketatkannya dengan kuat dengan tangan.

► **Rajah12:** 1. Kepala pemotong nilon 2. Spindel 3. Butang kunci spindel 4. Longgarkan 5. Ketatkan

Untuk mengeluarkan kepala pemotong nilon, longgarkan kepala pemotong nilon sambil menahan butang kunci spindel.

Bilah plastik

NOTIS: Pastikan untuk menggunakan bilah plastik Makita yang asli.

Semasa menahan butang kunci spindel, letak bilah plastik kepada spindel dan ketatkannya dengan kuat dengan tangan.

► **Rajah13:** 1. Bilah plastik 2. Spindel 3. Butang kunci spindel 4. Longgarkan 5. Ketatkan

Untuk mengeluarkan bilah plastik, longgarkan bilah plastik sambil menahan butang kunci spindel.

NOTA: Anda juga boleh menggunakan kunci allen yang dibekalkan untuk memasang/mengeluarkan alat pemotong. Masukkan kunci allen ke lubang seperti yang ditunjukkan dalam rajah untuk mengunci spindel.

► **Rajah14:** 1. Kunci allen 2. Lubang

⚠️PERHATIAN: Sentiasa menggunakan perengkuh yang dibekalkan untuk memasang/ mengeluarkan alat memotong.

⚠️PERHATIAN: Pastikan untuk mengeluarkan kunci allen yang dimasukkan ke dalam kepala alat selepas memasang alat memotong.

Penyimpan kunci allen

⚠️PERHATIAN: Berhati-hati agar kunci allen tidak termasuk dalam kepala alat. Ia boleh mengakibatkan kecederaan dan/atau kerosakan alat.

Apabila tidak digunakan, simpan kunci allen seperti yang ditunjukkan dalam rajah itu agar tidak hilang.

► **Rajah15:** 1. Pemegang gelung 2. Kunci allen

KETERANGAN FUNGSI

⚠️AMARAN: Sentiasa pastikan alat dimatikan dan kartrij bateri dikeluarkan sebelum menyelaraskan atau menyemak fungsi pada alat. Kegagalan untuk mematikan dan mengeluarkan kartrij bateri mungkin menyebabkan kecederaan diri yang serius daripada permulaan tanpa sengaja.

Memasang atau mengeluarkan kartrij bateri

⚠️PERHATIAN: Sentiasa matikan alat sebelum memasang atau mengeluarkan kartrij bateri.

⚠️PERHATIAN: Pegang alat dan kartrij bateri dengan kukuh apabila memasang atau mengeluarkan kartrij bateri. Gagal untuk memegang alat dan kartrij bateri dengan kukuh mungkin menyebabkan mereka terlepas daripada tangan anda dan mengakibatkan kerosakan kepada alat dan kartrij bateri dan kecederaan peribadi.

► **Rajah16:** 1. Penunjuk merah 2. Butang 3. Kartrij bateri

Untuk mengeluarkan kartrij bateri, luncurkan ia daripada alat apabila meluncurkan butang di hadapan kartrij.

Untuk memasang kartrij bateri, selaraskan lidah pada kartrij bateri dengan alur pada perumahan dan gelincirkan ia ke tempatnya. Masukkan ia sepenuhnya sehingga ia terkunci di tempatnya dengan klik kecil. Jika anda boleh melihat penunjuk merah seperti yang ditunjukkan dalam rajah, ia tidak dikunci sepenuhnya.

⚠️PERHATIAN: Sentiasa pasang kartrij bateri sepenuhnya sehingga penunjuk merah tidak boleh dilihat. Jika tidak, ia mungkin jatuh tanpa sengaja daripada alat, menyebabkan kecederaan kepada anda atau seseorang di sekeliling anda.

⚠️PERHATIAN: Jangan pasang kartrij bateri secara paksa. Jika kartrij tidak meluncur dengan mudah, ia tidak dimasukkan dengan betul.

Sistem perlindungan alat / bateri

Alat dilengkapi dengan sistem perlindungan alat/ bateri. Sistem ini memotong kuasa pada motor secara automatik untuk memanjangkan hayat alat dan bateri. Alat akan berhenti secara automatik ketika operasi jika alat atau bateri diletakkan di bawah salah satu keadaan berikut:

► **Rajah17:** 1. Lampu penunjuk

Perlindungan lebih beban

Jika alat tersebut masuk ke dalam salah satu keadaan berikut, alat tersebut akan berhenti secara automatik dan lampu penunjuk menyala:

— Alat ini lebih beban oleh rumpai terikat atau habuk lain.

— Alat memotong terkunci.

Dalam situasi ini, keluarkan pemacu suis dan keluarkan rumpai terikat atau habuk jika perlu. Kemudian tarik pemacu suis sekali lagi untuk memulakan semula.

⚠️PERHATIAN: Jika anda perlu mengeluarkan rumpai terikat pada alat atau melepaskan alat memotong yang terkunci, pastikan anda mematikan alat sebelum anda memulakannya.

Perlindungan pemanasan lampu

Apabila alat atau bateri terlampau panas, alat akan terhenti secara automatik dan lampu penunjuk menyala. Dalam hal ini, biarkan alat dan bateri sejuk sebelum menghidupkan semula alat.

Perlindungan lebih nyahcas

Apabila kapasiti bateri tidak mencukupi, lampu penunjuk akan berkelip. Dalam keadaan ini, keluarkan bateri daripada alat dan cas kartrij bateri atau tukar kartrij bateri kepada yang telah dicas sepenuhnya.

NOTA: Apabila kapasiti bateri habis, alat berhenti dan lampu penunjuk menyala.

Perlindungan terhadap punca lain

Sistem perlindungan juga direka bentuk untuk punca lain yang boleh merosakkan alat dan membolehkan alat berhenti secara automatik. Ambil semua langkah berikut untuk membuang punca, apabila alat telah dibawa kepada berhenti sementara atau berhenti beroperasi.

1. Matikan alat dan kemudian hidupkan alat lagi untuk mula semula.
2. Cas bateri atau gantikan bateri dengan bateri yang telah dicas.
3. Biarkan alat dan bateri menyejuk.

Jika tiada penambahbaikan boleh didapati melalui pemulihan sistem perlindungan, maka hubungi Pusat Servis Makita tempatan anda.

NOTIS: Jika alat berhenti kerana sebab yang tidak diterangkan di atas, rujuk bahagian penyelesaian masalah.

Menunjukkan kapasiti bateri yang tinggal

Hanya untuk kartrij bateri dengan penunjuk

► **Rajah18:** 1. Lampu penunjuk 2. Butang semak

Tekan butang semak pada kartrij bateri untuk menunjukkan kapasiti bateri yang tinggal. Lampu penunjuk menyala untuk beberapa saat.

Lampu penunjuk			Kapasiti yang tinggal
Dinyalakan	Mati	Berkelip	
■	□	◐	75% hingga 100%
■	■	■	50% hingga 75%
■	■	□	25% hingga 50%
■	□	□	0% hingga 25%
◐	□	□	Cas bateri.
■	■	□	Bateri mungkin telah rosak.
□	□	■	

NOTA: Bergantung kepada keadaan penggunaan dan suhu persekitaran, penunjuk mungkin berbeza sedikit daripada kapasiti sebenar.

NOTA: Lampu penunjuk (kiri jauh) pertama akan berkedip apabila sistem perlindungan bateri berfungsi.

Tindakan suis

⚠️AMARAN: Sebelum memasang kartrij bateri ke dalam alat, sentiasa periksa untuk melihat pemacu suis bergerak dengan betul dan kembali ke posisi "OFF" apabila dilepaskan.

⚠️AMARAN: Untuk keselamatan anda, alat ini dilengkapi dengan butang buka kunci yang mengelakkan alat bermula dengan tidak disengajakan. Jangan sekali-kali gunakan alat jika ia bermula apabila anda menarik pemacu suis tanpa menekan butang buka kunci. Tanya Pusat Servis Makita tempatan anda untuk pembaikan.

⚠️AMARAN: Jangan menyahdayakan fungsi kunci atau melekatkan pita pada butang buka kunci.

NOTIS: Jangan tarik pemacu suis secara paksa tanpa menekan butang buka kunci. Suis boleh rosak.

► **Rajah19:** 1. Butang buka kunci 2. Pemacu suis

Untuk mengelakkan pemacu suis daripada ditarik secara tidak sengaja, butang buka kunci disediakan.

Untuk memulakan alat, tekan butang buka kunci dan tarik pemacu suis. Lepaskan pemacu suis untuk berhenti. Butang buka kunci boleh ditekan sama ada daripada sisi kiri atau kanan.

Pelarasan kelajuan

Anda boleh memilih kelajuan alat dengan meluncurkan tuil penukaran kelajuan. Untuk memilih kelajuan tinggi, gerakkan tuil penukaran kelajuan ke depan. Untuk memilih kelajuan rendah, gerakkan tuil penukaran kelajuan ke belakang.

► **Rajah20:** (1) Kelajuan rendah (2) Kelajuan tinggi (3) Tuil penukaran kelajuan

Brek elektrik

Alat ini dilengkapi dengan brek elektrik. Jika alat ini secara konsisten gagal untuk berhenti cepat selepas pemacu suis dilepaskan, alat diservis ke pusat servis kami.

⚠️PERHATIAN: Sistem brek adalah bukan pengganti untuk pelindung. Jangan sekali-kali gunakan alat tanpa pelindung. Alat memotong tanpa pelindung boleh mengakibatkan kecederaan diri yang serius.

OPERASI

Memakai abah-abah bahu

⚠️PERHATIAN: Sentiasa gunakan abah-abah bahu yang dipasangkan pada alat itu. Sebelum beroperasi, laraskan abah-abah bahu mengikut saiz pengguna untuk mengelakkan kepenatan.

⚠️PERHATIAN: Sebelum beroperasi, pastikan abah-abah bahu dipasang dengan betul pada penyangkut alat itu.

⚠️PERHATIAN: Apabila anda menggunakan alat dengan gabungan bekalan kuasa jenis beg galas seperti pek kuasa mudah alih, jangan gunakan abah-abah bahu yang disertakan di dalam pakej alat, tetapi gunakan tali gantung yang disyorkan oleh Makita.

Sekiranya anda memakai abah-abah bahu yang disertakan di dalam pakej alat dan abah-abah bahu bekalan kuasa jenis beg galas pada masa yang sama, menanggalkan alat atau bekalan kuasa jenis beg galas adalah sukar ketika kecemasan dan ini mungkin menyebabkan kemalangan atau kecederaan. Untuk tali gantung yang disyorkan, tanya Pusat Servis Makita yang Diiktiraf.

Sambung cangkuk abah-abah bahu kepada penyangkut dan letakkan abah-abah bahu. Pastikan alat itu dipegang dengan selamat oleh abah-abah bahu.

► **Rajah21:** 1. Cangkuk 2. Peggantung

Abah-abah bahu mempunyai tujuan untuk pelepasan segera. Hanya picit sisi cangkup sambil memegang alat untuk melepaskan alat daripada abah-abah bahu.

► **Rajah22:** 1. Kancing

Pengendalian alat yang betul

⚠️AMARAN: Sentiasa letakkan alat di sisi sebelah kanan anda. Meletakkan alat dengan betul membenarkan kawalan maksimum dan akan mengurangkan risiko kecederaan diri yang serius yang disebabkan oleh tolak keluar.

⚠️AMARAN: Berhati-hati untuk mengekalkan kawalan alat pada setiap masa. Jangan biarkan alat itu terpesong ke arah anda atau sesiapa sahaja dalam persekitaran kerja. Kegagalan untuk mengawal alat ini boleh mengakibatkan kecederaan serius kepada individu di sekeliling dan pengendali.

⚠️AMARAN: Untuk mengelakkan kemalangan, jauhkan lebih dari 15m (50 kaki) jarak antara pengendali apabila dua atau lebih pengendali bekerja di satu kawasan. Juga, menguruskan seseorang untuk melihat jarak di antara pengendali. Jika seseorang atau haiwan memasuki kawasan kerja, segera hentikan operasi.

⚠️PERHATIAN: Jika alat memotong secara tidak sengaja memberi kesan kepada objek batu atau keras semasa operasi, hentikan alat dan periksa apa-apa kerosakan. Jika alat memotong rosak, gantikan ia dengan segera. Penggunaan alat pemotong yang rosak boleh mengakibatkan kecederaan diri yang serius.

⚠️PERHATIAN: Keluarkan penutup bilah dari bilah pemotong apabila memotong rumput.

Kedudukan dan pengendalian yang betul membolehkan kawalan optimum dan mengurangkan risiko kecederaan yang disebabkan oleh tolak keluar.

► Rajah23

Apabila menggunakan kepala memotong nilon (jenis hentak & suap)

Kepala pemotong nilon ialah kepala pemangkas dua tali yang disediakan dengan mekanisme hentak & suap. Untuk memberi suapan kord nilon, ketik kepala memotong di atas tanah semasa berputar.

► **Rajah24:** 1. Kawasan pemotongan paling berkesan

NOTIS: Suapan hentakan tidak akan beroperasi dengan betul jika kepala memotong nilon tidak berputar.

NOTA: Jika kord nilon tidak menyuap semasa mengetik kepala, gulung semula/gantikan kord nilon mengikut prosedur di bahagian untuk penyelenggaraan.

PENYELENGGARAAN

⚠️AMARAN: Sentiasa pastikan alat dimatikan dan kartrij bateri dikeluarkan sebelum cuba menjalankan pemeriksaan atau penyelenggaraan pada alat. Kegagalan untuk mematikan dan mengeluarkan kartrij bateri mungkin menyebabkan kecederaan diri yang serius daripada permulaan tanpa sengaja.

NOTIS: Jangan gunakan petrol, benzin, pencair, alkohol atau bahan yang serupa. Ia boleh menyebabkan perubahan warna, bentuk atau keretakan.

Untuk mengekalkan KESELAMATAN dan KEBOLEHPERCAYAAN produk, pembaikan, apa-apa penyelenggaraan atau penyesuaian lain perlu dilakukan oleh Kilang atau Pusat Servis Makita yang Diiktiraf, sentiasa gunakan alat ganti Makita.

Menggantikan kord nilon

⚠️AMARAN: Menggunakan hanya kord nilon dengan diameter yang dinyatakan dalam manual arahan ini. Jangan sekali-kali gunakan tali, dawai atau seperiunya yang lebih berat. Kegagalan berbuat demikian boleh menyebabkan kerosakan pada alat dan mengakibatkan kecederaan peribadi yang serius.

⚠️AMARAN: Sentiasa keluarkan kepala memotong nilon dari alat apabila menggantikan kord nilon.

⚠️AMARAN: Pastikan bahawa penutup kepala memotong nilon dikukuhkan pada perumahan dengan betul seperti yang diterangkan di bawah. Kegagalan untuk mengukuhkan penutup dengan betul boleh menyebabkan kepala pemotong nilon terpelanting dan mengakibatkan kecederaan diri yang serius.

Gantikan kord nilon jika tidak disuap lagi. Kaedah menggantikan kord nilon berbeza-beza mengikut jenis kepala memotong nilon.

95-M10L

► **Rajah25:** (1) Sehingga 4 m (2) 80 mm (3) 100 mm

96-M10L

► **Rajah26:** (1) Sehingga 4 m (2) 100 mm

Menggantikan bilah plastik

Gantikan bilah plastik jika ia haus atau pecah.

Semasa memasang bilah plastik, sejajarkan arah anak panah pada bilah dengan arah anak panah yang terdapat pada pelindung.

► **Rajah27:** 1. Anak panah pada pelindung

► **Rajah28**

► **Rajah29:** 1. Anak panah pada bilah

Mengisar bilah logam

⚠️ PERHATIAN: Sebelum mengisar bilah logam, pastikan alat dimatikan dan kartrij bateri dikeluarkan daripada alat.

NOTIS: Jika bilah logam telah berubah bentuk disebabkan oleh pengisaran, gantikan bilah logam dengan yang baharu.

NOTIS: Apabila anda mengisar bilah menggunakan alat seperti pengisar, jangan tekan roda pada bilah supaya bilah tidak menjadi panas. Jika bilah menjadi panas, jangan sejukkan bilah menggunakan air.

Kisar bilah logam jika ia haus. Kisar bilah logam seperti yang ditunjukkan dalam rajah. Kisar kesemua 8 hujung bilah dengan cara yang sama.

► **Rajah30:** (1) 10 mm (2) 2 mm atau lebih (3) Bentuk bulat

PENYELESAIAN MASALAH

Sebelum meminta pembaikan, jalankan pemeriksaan sendiri terlebih dahulu. Jika anda mendapati masalah tidak diterangkan dalam manual, jangan cuba untuk menanggalkan alat. Sebaliknya, tanya Pusat Servis Sah Makita, sentiasa gunakan alat ganti Makita untuk pembaikan.

Keadaan keabnormalan	Sebab yang mungkin (kerosakan)	Remedi
Motor tidak berjalan.	Kartrij bateri tidak dipasang.	Pasang kartrij bateri.
	Masalah bateri (voltan rendah)	Cas semula bateri. Jika mengecas tidak berkesan, gantikan bateri.
	Sistem pacuan tidak berfungsi dengan betul.	Tanya pusat servis sah tempatan anda untuk pembaikan.
Motor berhenti berfungsi selepas digunakan seketika.	Tahap bateri terlalu rendah.	Cas semula bateri. Jika mengecas tidak berkesan, gantikan bateri.
	Pemanasan melampau.	Berhenti menggunakan alat untuk membenarkan ia sejuk.
Ia tidak mencapai RPM maksimum.	Bateri tidak dipasang dengan betul.	Pasang kartrij bateri seperti yang diterangkan dalam manual ini.
	Kuasa bateri berkurangan.	Cas semula bateri. Jika mengecas tidak berkesan, gantikan bateri.
	Sistem pacuan tidak berfungsi dengan betul.	Tanya pusat servis sah tempatan anda untuk pembaikan.
Alat potongan tidak berputar: ⇒ hentikan mesin serta-merta!	Objek asing seperti cabang tersekat antara pelindung dan alat memotong.	Keluarkan objek asing.
	Sistem pacuan tidak berfungsi dengan betul.	Tanya pusat servis sah tempatan anda untuk pembaikan.
Getaran tidak normal: ⇒ hentikan mesin serta-merta!	Satu hujung kord nilon telah rosak.	Ketik kepala memotong nilon ke tanah semasa ia berputar untuk suapan kord.
	Sistem pacuan tidak berfungsi dengan betul.	Tanya pusat servis sah tempatan anda untuk pembaikan.
Alat potongan dan motor tidak boleh berhenti: ⇒ Keluarkan bateri serta-merta!	Pincang tugas elektrik atau elektronik.	Keluarkan bateri dan tanya pusat servis sah setempat anda untuk pembaikan.

AKSESORI PILIHAN

⚠️ AMARAN: Hanya menggunakan aksesori atau lampiran yang dicadangkan dalam manual ini. Menggunakan sebarang aksesori atau lampiran lain boleh mengakibatkan kecederaan peribadi yang serius.

⚠️ PERHATIAN: Aksesori-aksesori atau lampiran-lampiran ini adalah disyorkan untuk digunakan dengan alat Makita anda yang ditentukan dalam manual ini. Penggunaan mana-mana aksesori-aksesori atau lampiran-lampiran lain mungkin mengakibatkan risiko kecederaan kepada orang. Hanya gunakan aksesori atau lampiran untuk tujuan yang dinyatakan.

Jika anda memerlukan sebarang bantuan untuk maklumat lebih lanjut mengenai aksesori ini, tanya Pusat Perkhidmatan Makita tempatan anda.

- Bilah pemotong
- Kepala pemotong nilon
- Kord nilon (tali memotong)
- Bilah plastik
- Bateri dan pengecas asli Makita

NOTA: Beberapa item dalam senarai mungkin disertakan dalam pakej alat sebagai aksesori standard. Item mungkin berbeza mengikut negara.

THÔNG SỐ KỸ THUẬT

Kiểu máy:	DUR194	
Loại tay cầm	Tay cầm cố quai	
Tốc độ không tải	2: 6.000 min ⁻¹ 1: 4.500 min ⁻¹	
Chiều dài tổng thể (không có dụng cụ cắt)	1.580 mm	
Đường kính dây ni lông	2,0 mm	
Dụng cụ cắt và đường kính cắt có thể áp dụng	Lưỡi 8 răng (P/N 191Y44-2)	200 mm
	Đầu cắt ni lông (P/N 198893-8, 191D89-4)	280 mm
	Lưỡi nhựa (P/N 191Y45-0)	230 mm
Điện áp định mức	18 V một chiều	
Khối lượng tịnh	2,6 - 2,9 kg	

- Do chương trình nghiên cứu và phát triển liên tục của chúng tôi nên các thông số kỹ thuật trong đây có thể thay đổi mà không cần thông báo trước.
- Các thông số kỹ thuật có thể thay đổi tùy theo từng quốc gia.
- Khối lượng có thể khác nhau tùy thuộc vào (các) phụ kiện, bao gồm cả hộp pin. Tổ hợp nhẹ nhất và nặng nhất, theo Quy trình EPTA 01/2014, được trình bày trong bảng.

Hộp pin và sạc pin có thể áp dụng

Hộp pin	BL1815N / BL1820B / BL1830B / BL1840B / BL1850B / BL1860B
Bộ sạc	DC18RC / DC18RD / DC18RE / DC18SD / DC18SE / DC18SF / DC18SH

- Một số hộp pin và sạc pin được nêu trong danh sách ở trên có thể không khả dụng tùy thuộc vào khu vực cư trú của bạn.

⚠ CẢNH BÁO: Chỉ sử dụng hộp pin và sạc pin được nêu trong danh sách ở trên. Việc sử dụng bất cứ hộp pin và sạc pin nào khác có thể gây ra thương tích và/hoặc hỏa hoạn.





Nguồn điện kết nối bằng dây được khuyến dùng







Bộ cấp nguồn di động đeo vai	PDC01
------------------------------	-------

- (Các) Nguồn điện kết nối bằng dây được nêu trong danh sách ở trên có thể không khả dụng tùy thuộc vào khu vực cư trú của bạn.
- Trước khi sử dụng nguồn điện kết nối bằng dây, hãy đọc hướng dẫn và nhãn cảnh báo có trên chúng.

Ký hiệu

Phần dưới đây cho biết các ký hiệu có thể được dùng cho thiết bị. Đảm bảo rằng bạn hiểu rõ ý nghĩa của các ký hiệu này trước khi sử dụng.

	Hãy cẩn thận và đặc biệt chú ý.
	Đọc tài liệu hướng dẫn.
	Giữ khoảng cách ít nhất là 15 m.
	Nguy hiểm; chú ý các đối tượng bị ném.

	Cẩn trọng; lực đẩy ngược
	Đội mũ bảo hộ, kính an toàn và thiết bị bảo vệ tai.
	Mang găng tay bảo hộ.
	Mang giày ủng cứng có đế chống trượt. Khuyến nghị sử dụng giày bảo hộ mũi bịt thép an toàn.
	Cảnh báo; Ngắt kết nối pin trước khi bảo dưỡng.
	Không được tiếp xúc với hơi ẩm.



Chỉ dành cho các quốc gia EU
Do có các thành phần nguy hiểm bên trong thiết bị điện và điện tử, ắc quy và pin thải bỏ nên có thể có tác động không tốt đến môi trường và sức khỏe con người. Không vứt bỏ các thiết bị điện và điện tử hoặc pin với rác thải sinh hoạt!
Theo Chỉ thị của Châu Âu về thiết bị điện và điện tử thải bỏ và về pin và ắc quy và pin và ắc quy thải bỏ, cũng như sự thích ứng của chúng với luật pháp quốc gia, các thiết bị điện, pin và ắc quy thải phải được cất giữ riêng biệt và chuyển đến một điểm thu gom rác thải đô thị riêng, hoạt động theo các quy định về bảo vệ môi trường. Điều này được biểu thị bằng biểu tượng thùng rác có bánh xe gạch chéo được đặt trên thiết bị.



Mức công suất âm thanh được đảm bảo theo Chỉ thị về tiếng ồn ngoài trời của EU.



Mức công suất âm thanh theo Quy định kiểm soát tiếng ồn NSW của Úc

CẢNH BÁO AN TOÀN

Cảnh báo an toàn chung dành cho dụng cụ máy

⚠ CẢNH BÁO: Xin đọc tất cả các cảnh báo an toàn, hướng dẫn, minh họa và thông số kỹ thuật đi kèm với dụng cụ máy này. Việc không tuân theo các hướng dẫn được liệt kê dưới đây có thể dẫn đến điện giật, hỏa hoạn và/hoặc thương tích nghiêm trọng.

Lưu giữ tất cả cảnh báo và hướng dẫn để tham khảo sau này.

Thuật ngữ “dụng cụ máy” trong các cảnh báo đề cập đến dụng cụ máy (có dây) được vận hành bằng nguồn điện chính hoặc dụng cụ máy (không dây) được vận hành bằng pin của bạn.

An toàn tại nơi làm việc

1. **Giữ nơi làm việc sạch sẽ và có đủ ánh sáng.** Nơi làm việc bừa bộn hoặc tối thường dễ gây ra tai nạn.
2. **Không vận hành dụng cụ máy trong môi trường cháy nổ, ví dụ như môi trường có sự hiện diện của các chất lỏng, khí hoặc bụi dễ cháy.** Các dụng cụ máy tạo tia lửa điện có thể làm bụi hoặc khí bốc cháy.
3. **Giữ trẻ em và người ngoài tránh xa nơi làm việc khi đang vận hành dụng cụ máy.** Sự xao lãng có thể khiến bạn mất khả năng kiểm soát.

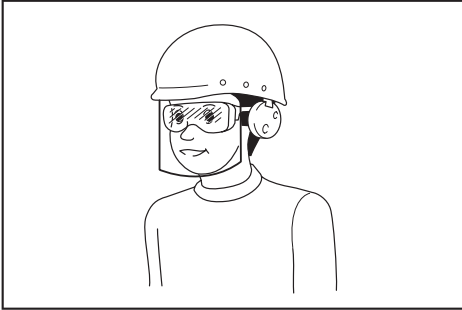
An toàn về Điện

1. **Phích cắm của dụng cụ máy phải khớp với ổ cắm. Không được sửa đổi phích cắm theo bất kỳ cách nào. Không sử dụng bất kỳ phích chuyển đổi nào với các dụng cụ máy được nối đất (tiếp đất).** Các phích cắm còn nguyên vẹn và ổ cắm phù hợp sẽ giảm nguy cơ điện giật.
2. **Tránh để cơ thể tiếp xúc với các bề mặt nóng đất hoặc tiếp đất như đường ống, bộ tản nhiệt, bếp ga và tủ lạnh.** Nguy cơ bị điện giật sẽ tăng lên nếu cơ thể bạn được nối đất hoặc tiếp đất.
3. **Không để dụng cụ máy tiếp xúc với mưa hoặc trong điều kiện ẩm ướt.** Nước lọt vào dụng cụ máy sẽ làm tăng nguy cơ điện giật.
4. **Không lạm dụng dây điện. Không được phép sử dụng dây để mang, kéo hoặc tháo phích cắm dụng cụ máy. Giữ dây tránh xa nguồn nhiệt, dầu, các mép sắc hoặc các bộ phận chuyển động.** Dây bị hỏng hoặc bị rối sẽ làm tăng nguy cơ điện giật.
5. **Khi vận hành dụng cụ máy ngoài trời, hãy sử dụng dây kéo dài phù hợp cho việc sử dụng ngoài trời.** Việc dùng dây phù hợp cho việc sử dụng ngoài trời sẽ giảm nguy cơ điện giật.
6. **Nếu bắt buộc phải vận hành dụng cụ máy ở nơi ẩm ướt, hãy sử dụng nguồn cấp điện được bảo vệ bằng thiết bị ngắt dòng điện rò (RCD).** Việc sử dụng RCD sẽ làm giảm nguy cơ điện giật.
7. **Các dụng cụ máy có thể tạo ra từ trường điện (EMF) có hại cho người dùng.** Tuy nhiên, người dùng máy trợ tim và những thiết bị y tế tương tự khác nên liên hệ với nhà sản xuất thiết bị và/hoặc bác sĩ để được tư vấn trước khi vận hành dụng cụ này.

An toàn Cá nhân

1. **Luôn tỉnh táo, quan sát những việc bạn đang làm và sử dụng những phán đoán theo kinh nghiệm khi vận hành dụng cụ máy. Không sử dụng dụng cụ máy khi bạn đang mệt mỏi hoặc chịu ảnh hưởng của ma túy, rượu hay thuốc.** Chỉ một khoảnh khắc không tập trung khi đang vận hành dụng cụ máy cũng có thể dẫn đến thương tích cá nhân nghiêm trọng.
2. **Sử dụng thiết bị bảo hộ cá nhân. Luôn đeo thiết bị bảo vệ mắt.** Các thiết bị bảo hộ như mặt nạ chống bụi, giày an toàn chống trượt, mũ bảo hộ hay thiết bị bảo vệ thính giác được sử dụng trong các điều kiện thích hợp sẽ giúp giảm thương tích cá nhân.
3. **Tránh vô tình khởi động dụng cụ máy. Đảm bảo công tắc ở vị trí off (tắt) trước khi nối nguồn điện và/hoặc bộ pin, cầm hoặc di chuyển dụng cụ máy.** Việc di chuyển dụng cụ máy khi đang đặt ngón tay ở vị trí công tắc hoặc cấp điện cho dụng cụ máy đang bật thường dễ gây ra tai nạn.
4. **Tháo tất cả các khóa hoặc cờ lê điều chỉnh trước khi bật dụng cụ máy.** Việc cờ lê hoặc khóa vẫn còn gắn vào bộ phận quay của dụng cụ máy có thể dẫn đến thương tích cá nhân.
5. **Không vượt quá cao. Luôn giữ thăng bằng tốt và có chỗ để chân phù hợp.** Điều này cho phép điều khiển dụng cụ máy tốt hơn trong những tình huống bất ngờ.

6. **Ăn mặc phù hợp. Không mặc quần áo rộng hay đeo đồ trang sức. Giữ tóc và quần áo tránh xa các bộ phận chuyển động.** Quần áo rộng, đồ trang sức hay tóc dài có thể mắc vào các bộ phận chuyển động.
7. **Nếu các thiết bị được cung cấp để kết nối các thiết bị thu gom và hút bụi, hãy đảm bảo chúng được kết nối và sử dụng hợp lý.** Việc sử dụng thiết bị thu gom bụi có thể làm giảm những mối nguy hiểm liên quan đến bụi.
8. **Không vì quen thuộc do thường xuyên sử dụng các dụng cụ mà cho phép bạn trở nên tự mãn và bỏ qua các nguyên tắc an toàn dụng cụ.** Một hành động bất cẩn có thể gây ra thương tích nghiêm trọng trong một phần của một giây.
9. **Luôn luôn mang kính bảo hộ để bảo vệ mắt khỏi bị thương khi đang sử dụng các dụng cụ máy. Kính bảo hộ phải tuân thủ ANSI Z87.1 ở Mỹ, EN 166 ở Châu Âu, hoặc AS/NZS 1336 ở Úc/New Zealand. Tại Úc/New Zealand, theo luật pháp, bạn cũng phải mang mặt nạ che mặt để bảo vệ mắt.**



Trách nhiệm của chủ lao động là bắt buộc người vận hành dụng cụ và những người khác trong khu vực làm việc cạnh đó phải sử dụng các thiết bị bảo hộ an toàn thích hợp.

Sử dụng và bảo quản dụng cụ máy

1. **Không dùng lực đối với dụng cụ máy. Sử dụng đúng dụng cụ máy cho công việc của bạn.** Sử dụng đúng dụng cụ máy sẽ giúp thực hiện công việc tốt hơn và an toàn hơn theo giá trị định mức được thiết kế của dụng cụ máy đó.
2. **Không sử dụng dụng cụ máy nếu công tắc không bật và tắt được dụng cụ máy đó.** Mọi dụng cụ máy không thể điều khiển được bằng công tắc đều rất nguy hiểm và phải được sửa chữa.
3. **Rút phích cắm ra khỏi nguồn điện và/hoặc tháo kết nối bộ pin khỏi dụng cụ máy, nếu có thể tháo rời trước khi thực hiện bất kỳ công việc điều chỉnh, thay đổi phụ tùng hay cất giữ dụng cụ máy nào.** Những biện pháp an toàn phòng ngừa này sẽ giảm nguy cơ vô tình khởi động dụng cụ máy.
4. **Cất giữ các dụng cụ máy không sử dụng ngoài tầm với của trẻ em và không cho bất kỳ người nào không có hiểu biết về dụng cụ máy hoặc các hướng dẫn này vận hành dụng cụ máy.** Dụng cụ máy sẽ rất nguy hiểm nếu được sử dụng bởi những người dùng chưa qua đào tạo.

5. **Bảo dưỡng dụng cụ máy và các phụ kiện. Kiểm tra tình trạng lịch trực hoặc bố kẹp của các bộ phận chuyển động, hiện tượng nứt vỡ của các bộ phận và mọi tình trạng khác mà có thể ảnh hưởng đến hoạt động của dụng cụ máy. Nếu có hỏng hóc, hãy sửa chữa dụng cụ máy trước khi sử dụng.** Nhiều tai nạn xảy ra là do không bảo quản tốt dụng cụ máy.
6. **Luôn giữ cho dụng cụ cắt được sắc bén và sạch sẽ.** Những dụng cụ cắt được bảo quản tốt có mép cắt sắc sẽ ít bị kẹt hơn và dễ điều khiển hơn.
7. **Sử dụng dụng cụ máy, phụ tùng và đầu dụng cụ cắt, v.v... theo các hướng dẫn này, có tính đến điều kiện làm việc và công việc được thực hiện.** Việc sử dụng dụng cụ máy cho các công việc khác với công việc dự định có thể gây nguy hiểm.
8. **Giữ tay cầm và bề mặt tay cầm khô, sạch, không dính dầu và mỡ.** Tay cầm trơn trượt và bề mặt tay cầm không cho phép xử lý an toàn và kiểm soát dụng cụ trong các tình huống bất ngờ.
9. **Khí sử dụng dụng cụ, không được đi gang tay lao động bằng vải, có thể bị vướng.** Việc gang tay lao động bằng vải vướng vào các bộ phận chuyển động có thể gây ra thương tích cá nhân.

Sử dụng và bảo quản dụng cụ dùng pin

1. **Chỉ sạc pin lại với bộ sạc do nhà sản xuất quy định.** Bộ sạc phù hợp với một loại bộ pin này có thể gây ra nguy cơ hỏa hoạn khi được dùng cho một bộ pin khác.
2. **Chỉ sử dụng các dụng cụ máy với các bộ pin được quy định cụ thể.** Việc sử dụng bất cứ bộ pin nào khác có thể gây ra thương tích và hỏa hoạn.
3. **Khí không sử dụng bộ pin, hãy giữ tránh xa các đồ vật khác bằng kim loại, chẳng hạn như kẹp giấy, tiền xu, chìa khóa, đinh, ốc vít hoặc các vật nhỏ bằng kim loại mà có thể làm nối tất các đầu cực pin.** Các đầu cực pin bị đoản mạch có thể gây cháy hoặc hỏa hoạn.
4. **Trong điều kiện sử dụng quá mức, pin có thể bị chảy nước; hãy tránh tiếp xúc. Nếu vô tình tiếp xúc với pin bị chảy nước, hãy rửa sạch bằng nước. Nếu dung dịch từ pin tiếp xúc với mắt, cần đi khám bác sĩ thêm.** Dung dịch chảy ra từ pin có thể gây rát da hoặc bỏng.
5. **Không sử dụng bộ pin hoặc dụng cụ bị hư hỏng hoặc đã bị sửa đổi.** Pin đã bị hư hỏng hoặc đã bị sửa đổi có thể hành động theo cách không thể đoán trước dẫn đến cháy, nổ hoặc nguy cơ chấn thương.
6. **Không để bộ pin hoặc dụng cụ tiếp xúc với lửa hoặc nhiệt độ quá cao.** Tiếp xúc với lửa hoặc nhiệt độ trên 130 °C có thể gây ra cháy nổ.
7. **Làm theo tất cả các hướng dẫn sạc pin và không được sạc bộ pin hoặc dụng cụ vượt giới hạn nhiệt độ quy định trong hướng dẫn.** Sạc pin không đúng hoặc ở nhiệt độ vượt giới hạn nhiệt độ có thể gây hư hỏng cho pin và làm tăng nguy cơ cháy.

Bảo dưỡng

1. **Để nhân viên sửa chữa đủ trình độ bảo dưỡng dụng cụ máy của bạn và chỉ sử dụng các bộ phận thay thế đồng nhất.** Việc này sẽ đảm bảo duy trì được độ an toàn của dụng cụ máy.
2. **Không bao giờ sử dụng bộ pin đã hỏng.** Dịch vụ bảo hành bộ pin chỉ nên thực hiện bởi nhà sản xuất hoặc các nhà cung cấp dịch vụ được ủy quyền.
3. **Tuân theo hướng dẫn dành cho việc bôi trơn và thay phụ tùng.**

Hướng dẫn quan trọng về an toàn dành cho dụng cụ

⚠ CẢNH BÁO: Đọc tất cả các cảnh báo an toàn và tất cả hướng dẫn. Việc không tuân theo các cảnh báo và hướng dẫn có thể dẫn đến điện giật, hỏa hoạn và/hoặc thương tích nghiêm trọng.

Lưu giữ tất cả các cảnh báo và hướng dẫn để tham khảo sau này.

Mục đích sử dụng

1. **Dụng cụ này chỉ dành để cắt cỏ, bụi cây và cây mọc thấp.** Không sử dụng dụng cụ này cho bất kỳ mục đích nào khác như cưa hoặc cắt tia hàng rào vì điều này có thể gây ra thương tích.

Hướng dẫn chung

1. **Không bao giờ cho phép những người không quen thuộc với các hướng dẫn này, những người (bao gồm trẻ em) suy giảm thể chất, giác quan hoặc khả năng trí óc, hoặc thiếu kinh nghiệm và kiến thức sử dụng dụng cụ.** Trẻ em cần được giám sát để đảm bảo rằng chúng sẽ không nghịch dụng cụ.
2. **Trước khi khởi động dụng cụ, hãy tài liệu hướng dẫn này để làm quen với việc điều khiển dụng cụ.**
3. **Không cho người không đủ kinh nghiệm hoặc kiến thức liên quan đến điều khiển máy cắt cỏ và máy cắt cỏ cầm tay hoạt động bằng động cơ điện mượn dụng cụ.**
4. **Khi cho mượn phụ dụng cụ, luôn kèm theo tài liệu hướng dẫn này.**
5. **Cần hết sức cẩn thận và chú ý khi điều khiển dụng cụ.**
6. **Không bao giờ sử dụng dụng cụ sau khi dùng rượu hoặc các chất ma túy, hoặc nếu cảm thấy mệt hoặc bệnh.**
7. **Không được thử cải tạo dụng cụ.**
8. **Phải tuân thủ các quy định về điều khiển máy cắt cỏ và máy cắt cỏ cầm tay hoạt động bằng động cơ điện ở đất nước của bạn.**

Thiết bị bảo hộ cá nhân

► Hình 1

1. **Đội mũ bảo hộ, đeo kính an toàn và găng tay bảo hộ để bảo vệ bản thân khỏi các mảnh vụn bay ra hoặc các vật rơi xuống.**
2. **Mang thiết bị bảo vệ tai như đồ chụp tai để tránh mất thính lực.**
3. **Mặc quần áo và đi giày thích hợp để vận hành an toàn, chẳng hạn như quần áo bảo hộ liên thân và ủng cứng, chống trượt. Không mặc quần áo rộng hay đeo đồ trang sức.** Quần áo rộng, đồ trang sức hay tóc dài có thể mắc vào các bộ phận chuyển động.
4. **Khi chạm vào lưỡi cắt, phải đeo găng tay bảo hộ.** Lưỡi cắt có thể làm đứt nghiêm trọng nếu tay để trần.

An toàn tại khu vực làm việc

1. **Chỉ vận hành dụng cụ trong điều kiện tầm nhìn tốt và đủ điều kiện ánh sáng ban ngày.** Không vận hành dụng cụ trong bóng tối hoặc lúc có sương mù.
2. **Không vận hành dụng cụ trong môi trường dễ cháy nổ, chẳng hạn như môi trường có sự hiện diện của các chất lỏng, khí hoặc bụi dễ cháy.** Dụng cụ này sẽ tạo tia lửa điện có thể làm bụi hoặc khí bốc cháy.
3. **Trong khi vận hành, không bao giờ đứng trên bề mặt không bằng phẳng hoặc trơn trượt hoặc bề mặt dốc đứng.** Vào mùa đông, hãy cẩn thận nước đá cùng tuyết và phải luôn đảm bảo chân được an toàn.
4. **Trong khi vận hành, giữ dụng cụ tránh xa những người xung quanh và động vật ít nhất 15 m.** Ngừng dụng cụ ngay khi có ai đó lại gần.
5. **Không bao giờ vận hành dụng cụ này khi có người, đặc biệt là trẻ em hoặc thú cưng ở gần.**
6. **Trước khi vận hành, kiểm tra phạm vi làm việc xem có đá, hoặc những vật cứng khác không.** Chúng có thể bị bắn ra hoặc bật ngược gây nguy hiểm và dẫn đến chấn thương nghiêm trọng và/hoặc gây thiệt hại tài sản.
7. **⚠ CẢNH BÁO:** Sử dụng sản phẩm này có thể tạo ra bụi chứa hóa chất gây ra bệnh về đường hô hấp hoặc các bệnh khác. Một số ví dụ về các hóa chất này là các hợp chất được tìm thấy trong thuốc trừ sâu, thuốc diệt côn trùng, phân bón và thuốc diệt cỏ. Mức độ rủi ro của bạn từ việc tiếp xúc này có thể khác nhau, phụ thuộc vào tần suất bạn thực hiện công việc này. Để giảm tiếp xúc với những hóa chất này: làm việc ở nơi thoáng gió và làm việc với thiết bị an toàn đã được phê chuẩn, như mặt nạ chống bụi được thiết kế đặc biệt để lọc các hạt cực nhỏ.

An toàn về điện và pin

1. **Không để dụng cụ tiếp xúc với mưa hoặc điều kiện ẩm ướt.** Nước lọt vào dụng cụ sẽ làm tăng nguy cơ điện giật.
2. **Không sử dụng dụng cụ nếu công tắc không bật và tắt được dụng cụ đó.** Mọi dụng cụ không thể điều khiển được bằng công tắc đều rất nguy hiểm và phải được sửa chữa.
3. **Tránh vô tình khởi động dụng cụ. Đảm bảo công tắc ở vị trí tắt trước khi lắp bộ pin, cầm hoặc mang dụng cụ.** Việc di chuyển dụng cụ khi đang đặt ngón tay ở vị trí công tắc hoặc cấp điện cho dụng cụ đang bật thường dễ gây ra tai nạn.
4. **Không tháo bỏ (các) viên pin vào lửa.** Viên pin có thể phát nổ. Kiểm tra bằng ma địa phương để biết hướng dẫn tháo bỏ đặc biệt nếu có.
5. **Không mờ hay cắt xén (các) viên pin.** Chất điện phân thải ra có tính ăn mòn và có thể gây tổn thương cho mắt hoặc da. Có thể độc hại nếu nuốt phải.
6. **Không sạc pin trong mưa, hoặc nơi ẩm ướt.**
7. **Tránh môi trường nguy hiểm. Không được sử dụng dụng cụ tại những nơi bùng nổ hoặc ẩm ướt hay dễ cháy tiếp xúc với mưa.** Nước lọt vào dụng cụ sẽ làm tăng nguy cơ điện giật.
8. **Không sạc pin ở ngoài trời.**
9. **Không thao tác bộ sạc, bao gồm phích cắm của bộ sạc, và điện cực của bộ sạc bằng tay ướt.**

Đưa vào vận hành

1. **Trước khi lắp ráp hoặc điều chỉnh dụng cụ, hãy tháo hộp pin.**
2. **Trước khi chạm vào lưỡi máy cắt, hãy đeo găng tay bảo hộ.**
3. **Trước khi lắp hộp pin, kiểm tra xem dụng cụ có hư hỏng, vít/đai ốc có lỏng lẻo hoặc lắp ráp không đúng cách hay không. Mài sạch lưỡi máy cắt bị cùn. Nếu lưỡi máy cắt bị cong hoặc bị hư hỏng, hãy thay thế nó. Kiểm tra tất cả các cần điều khiển và công tắc để thao tác dễ dàng. Lau sạch và giữ khô các tay cầm.**
4. **Không được cố bật dụng cụ khi dụng cụ đang hư hỏng hoặc chưa được lắp ráp đầy đủ. Nếu không có thể dẫn đến thương tích nghiêm trọng.**
5. **Điều chỉnh dây nịt vai và tay cầm cho phù hợp với kích thước cơ thể người vận hành.**
6. **Khi lắp hộp pin, hãy giữ cho phụ tùng cắt cách xa khỏi cơ thể bạn và các vật khác, bao gồm cả mặt đất. Phụ tùng cắt có thể quay khi khởi động và có thể gây ra thương tích hay thiệt hại cho dụng cụ và/hoặc tài sản.**
7. **Tháo tất cả các khóa, cò le điều chỉnh hoặc nắp dây lưỡi dao trước khi bật dụng cụ. Việc phụ tùng vẫn còn gắn vào bộ phận quay của dụng cụ có thể dẫn đến thương tích cá nhân.**
8. **Dụng cụ cắt cần được trang bị tấm bảo vệ. Không bao giờ vận hành dụng cụ với tấm bảo vệ bị hỏng hoặc không có tấm bảo vệ ở đúng vị trí!**
9. **Đảm bảo rằng không có cáp điện, ống nước, ống gas, v.v... nào có thể gây nguy hiểm nếu bị hư hỏng do sử dụng dụng cụ.**

Vận hành

1. **Trong trường hợp khẩn cấp, hãy tắt dụng cụ ngay lập tức.**
2. **Nếu bạn cảm thấy bất kỳ tình trạng bất thường nào (ví dụ như tiếng ồn, rung động) trong quá trình vận hành, hãy tắt dụng cụ và tháo hộp pin. Không sử dụng dụng cụ cho đến khi xác định và giải quyết được nguyên nhân.**
3. **Phụ tùng cắt sẽ tiếp tục quay một lúc sau khi tắt dụng cụ. Đứng vững tiếp xúc với phụ tùng cắt.**
4. **Sử dụng dây nịt vai trong quá trình vận hành. Giữ chặt dụng cụ bên hông phải của bạn.**
5. **Không vớ quá cao. Luôn giữ thẳng bằng tốt và có chỗ để chân phù hợp. Cẩn thận với các chướng ngại vật không nhìn thấy được như gốc cây, rễ cây và các rãnh để tránh vấp ngã.**
6. **Luôn đảm bảo chỗ để chân trên mặt nghiêng.**
7. **Chỉ đi bộ, không được chạy.**
8. **Không được làm việc trên thang hoặc cây để tránh mất kiểm soát.**
9. **Nếu dụng cụ chịu lực nặng hoặc bị ngã, hãy kiểm tra tình trạng của nó trước khi tiếp tục công việc. Kiểm tra các nút điều khiển và các thiết bị an toàn xem có hỏng hóc gì không. Nếu có bất kỳ hư hỏng hoặc nghi ngờ nào, hãy nhờ trung tâm dịch vụ được ủy quyền kiểm tra và sửa chữa.**
10. **Hãy nghỉ ngơi để tránh mất kiểm soát do mệt mỏi gây ra. Chúng tôi khuyến nghị nên nghỉ ngơi 10 đến 20 phút sau mỗi giờ.**
11. **Khi không sử dụng dụng cụ, ngay cả trong một thời gian rất ngắn, hãy luôn tháo hộp pin ra. Dụng cụ không được giám sát có hộp pin được lắp vào có thể bị người không được phép sử dụng và gây ra tai nạn nghiêm trọng.**
12. **Nếu cỏ hoặc nhánh cây bị kẹt giữa phụ tùng cắt và tấm bảo vệ, luôn tắt dụng cụ và tháo hộp pin trước khi vệ sinh. Nếu không làm như vậy, phụ tùng cắt có thể quay bất ngờ và gây ra thương tích nghiêm trọng.**
13. **Tuyệt đối không chạm vào các bộ phận nguy hiểm đang chuyển động cho đến khi các bộ phận nguy hiểm đang chuyển động dừng hẳn và hộp pin đã được tháo ra.**
14. **Nếu phụ tùng cắt va phải đá hoặc các vật cứng khác, hãy tắt dụng cụ ngay lập tức. Sau đó tháo hộp pin và kiểm tra phụ tùng cắt.**
15. **Thường xuyên kiểm tra phụ tùng cắt trong khi vận hành xem có bị nứt hoặc bị hư hỏng không. Trước khi kiểm tra, tháo hộp pin và đợi đến khi phụ tùng cắt dừng hẳn. Thay thế phụ tùng cắt bị hỏng ngay lập tức, ngay cả khi nó chỉ có vết nứt ở mặt ngoài.**
16. **Không bao giờ cắt qua chiều cao thất lạng.**
17. **Trước khi bắt đầu thao tác cắt, hãy chờ cho đến khi phụ tùng cắt đạt được tốc độ ổn định sau khi bật dụng cụ.**
18. **Khi dùng lưỡi cắt, hãy đưa dụng cụ đều trong một nửa vòng tròn từ phải sang trái, như khi sử dụng lưỡi hái.**

19. **Giữ dụng cụ chỉ bằng các bề mặt kẹp cách điện, vì lưới máy cắt có thể tiếp xúc với dây dẫn kín.** Khi lưới máy cắt tiếp xúc với dây dẫn “có điện” có thể sẽ khiến cho các bộ phận kim loại bị hở của dụng cụ “có điện” và làm cho người vận hành bị điện giật.
20. **Không khởi động dụng cụ khi dụng cụ cắt bị vướng cỏ cắt.**
21. **Trước khi khởi động dụng cụ, đảm bảo dụng cụ cắt không chạm đất và các chướng ngại vật khác chằng hạn như cây.**
22. **Trong quá trình vận hành luôn cầm dụng cụ bằng cả hai tay. Không cầm dụng cụ bằng một tay trong quá trình sử dụng.**
23. **Không vận hành dụng cụ trong điều kiện thời tiết xấu hoặc có nguy cơ sấm sét.**

Các dụng cụ cắt

1. **Không sử dụng dụng cụ cắt không được chúng tôi khuyến cáo.**
2. **Sử dụng phụ tùng cắt phù hợp đối với công việc đang đảm nhận.**
 - Đầu cắt ni lông (đầu máy cắt cỏ bằng tay hoạt động bằng động cơ điện) và lưới nhựa thích hợp cho cắt tia cỏ dạng dây.
 - Lưới cắt thích hợp cho cắt cỏ dại, cỏ cao, bụi cây, cây bụi, cây gỗ tầng thấp và các cây tương tự.
 - Tuyệt đối không sử dụng các lưỡi cắt khác bao gồm lưới kim loại nhiều mảnh và lưới cắt đập. Điều này có thể gây ra thương tích nghiêm trọng.
3. **Chỉ sử dụng dụng cụ cắt có ghi tốc độ bằng chữ số cao hơn tốc độ ghi trên dụng cụ.**
4. **Luôn giữ tay, mặt và quần áo của bạn tránh xa dụng cụ cắt khi nó đang quay.** Nếu không làm như vậy có thể gây ra thương tích cá nhân.
5. **Luôn sử dụng tấm bảo vệ phụ tùng cắt phù hợp với phụ tùng cắt sử dụng.**
6. **Khi sử dụng các lưỡi cắt, hãy tránh hiện tượng bật ngược và luôn sẵn sàng đối với tai nạn do việc bật ngược.** Hãy xem phần Bật ngược.
7. **Khi không sử dụng, gắn nắp đậy lưỡi cắt vào lưỡi cắt. Tháo nắp đậy trước khi vận hành.**

Bật ngược (Đẩy lưỡi)

1. **Bật ngược (đẩy lưỡi) là một phản ứng bất ngờ xảy ra do lưỡi cắt bị kẹt hoặc bị nảy lên.** Khi hiện tượng này xảy ra, dụng cụ bị sẽ bị bật sang ngang hoặc về phía người điều khiển với một lực lớn và điều này có thể gây ra thương tích nghiêm trọng.
2. **Đặc biệt hiện tượng bật ngược sẽ xảy ra khi dùng phần lưới cắt giữa khoảng 12 và 2 giờ lên những vật cứng, bụi cây và cây có đường kính 3 cm hoặc lớn hơn.**

► Hình 2

3. **Để tránh bị bật ngược:**
 1. **Dùng phần lưới cắt giữa khoảng 8 và 11 giờ.**
 2. **Không bao giờ dùng phần lưới cắt giữa khoảng 12 đến 2 giờ.**

3. **Không bao giờ dùng phần lưới cắt giữa khoảng 11 và 12 giờ và giữa khoảng 2 và 5 giờ, trừ khi người vận hành được đào tạo, có kinh nghiệm và tự chịu rủi ro.**
4. **Không bao giờ sử dụng lưới cắt gần vật cứng, như hàng rào, tường, thân cây và đá.**
5. **Không bao giờ sử dụng lưới cắt theo chiều dọc, cho các hoạt động như cưa và cắt tia hàng rào.**

► Hình 3

Rung động

1. **Những người mắc phải bệnh tuần hoàn máu kém nếu tiếp xúc với rung động quá mức có thể gây tổn thương mạch máu hay hệ thần kinh.** Rung động có thể khiến các triệu chứng sau đây xảy ra ở ngón tay, bàn tay hoặc cổ tay: “Buồn ngủ” (tình trạng tê cứng), ngứa, đau, cảm giác bị kim châm, thay đổi màu da hoặc da. Nếu các triệu chứng này xảy ra, hãy tới bác sĩ!
2. **Để giảm bớt nguy cơ “bệnh trắng ngón tay”, hãy giữ cho tay luôn ấm áp trong quá trình hoạt động và duy trì hoạt động dụng cụ và phụ kiện đúng cách.**

Vận chuyển

1. **Trước khi vận chuyển dụng cụ, hãy tắt dụng cụ và tháo hộp pin. Gắn nắp lên lưới cắt.**
2. **Khi vận chuyển dụng cụ, hãy mang theo chiều ngang bằng cách cầm lấy cần.**
3. **Khi vận chuyển dụng cụ bị bằng xe cộ, hãy cố định thật chặt để tránh lật đổ.** Nếu không có thể gây hư hỏng dụng cụ và các hành lý khác.

Bảo trì

1. **Hãy để trung tâm dịch vụ ủy quyền của chúng tôi bảo trì dụng cụ cho bạn, luôn sử dụng các bộ phận thay thế chính hãng.** Sửa chữa không đúng và bảo trì kém có thể làm giảm tuổi thọ của dụng cụ và tăng nguy cơ tai nạn.
2. **Trước khi thực hiện công việc bảo trì hoặc sửa chữa hay vệ sinh dụng cụ, luôn tắt dụng cụ và tháo hộp pin ra.**
3. **Luôn mang găng tay bảo hộ khi xử lý lưỡi cắt.**
4. **Luôn làm sạch bụi bẩn trên dụng cụ.** Tuyệt đối không sử dụng xăng, ét xăng, dung môi, cồn hoặc hóa chất tương tự cho mục đích này. Có thể xảy ra hiện tượng mất màu, biến dạng hoặc nứt vỡ các thành phần nhựa.
5. **Sau mỗi lần sử dụng, vận chuyển tất cả vít và đai ốc.**
6. **Không được cố thực hiện bất kỳ bảo trì hay sửa chữa nào không được mô tả trong tài liệu hướng dẫn.** Hãy nhờ trung tâm dịch vụ được ủy quyền của chúng tôi cho công việc này.
7. **Chỉ sử dụng phụ tùng và các bộ phận thay thế chính hãng của chúng tôi.** Sử dụng phụ tùng và các bộ phận do bên thứ ba cung cấp có thể làm hư hỏng dụng cụ, thiết hại tài sản và/hoặc gây thương tích nghiêm trọng.

8. **Hãy yêu cầu trung tâm dịch vụ được ủy quyền của chúng tôi kiểm tra và bảo trì dụng cụ định kỳ.**
9. **Luôn giữ dụng cụ trong tình trạng hoạt động tốt.** Bảo trì kém có thể dẫn đến hiệu suất thấp hơn và rút ngắn tuổi thọ của dụng cụ.

CẮT GIỮ

1. **Trước khi cắt giữ dụng cụ, hãy thực hiện vệ sinh và bảo trì toàn bộ. Tháo hộp pin. Gắn nắp lên lưỡi cắt.**
2. **Cắt giữ dụng cụ ở nơi khô thoáng, cao ráo hoặc nơi có khóa xa tầm với của trẻ em.**
3. **Đừng kê dụng cụ tự vào một cái gì đó như bức tường. Nếu không thiết bị có thể rơi bất ngờ và gây thương tích.**

SƠ CỨU

1. **Luôn có hộp sơ cứu ở bên mình. Lập tức thay thế bất kỳ vật phẩm nào đã lấy từ hộp sơ cứu.**
2. **Khi yêu cầu giúp đỡ, cung cấp các thông tin sau:**
 - Nơi xảy ra tai nạn
 - Chuyện gì đã xảy ra
 - Số người bị thương
 - Tính chất của thương tích
 - Tên của quý khách

LƯU GIỮ CÁC HƯỚNG DẪN NÀY.

⚠CẢNH BÁO: KHÔNG vì đã thoải mái hay quen thuộc với sản phẩm (có được do sử dụng nhiều lần) mà không tuân thủ nghiêm ngặt các quy định về an toàn dành cho sản phẩm này. **VIỆC DÙNG SAI** hoặc không tuân theo các quy định về an toàn được nêu trong tài liệu hướng dẫn này có thể dẫn đến thương tích cá nhân nghiêm trọng.

Hướng dẫn quan trọng về an toàn dành cho hộp pin

1. **Trước khi sử dụng hộp pin, hãy đọc kỹ tất cả các hướng dẫn và dấu hiệu cảnh báo trên (1) bộ sạc pin, (2) pin và (3) sản phẩm sử dụng pin.**
2. **Không tháo rời hoặc làm thay đổi hộp pin.** Việc này có thể dẫn đến hỏa hoạn, quá nhiệt hoặc nổ.
3. **Nếu thời gian vận hành ngắn hơn quá mức, hãy ngừng vận hành ngay lập tức.** Điều này có thể dẫn đến rùi ro quá nhiệt, có thể gây bỏng và thậm chí là nổ.
4. **Nếu chất điện phân rơi vào mắt, hãy rửa sạch bằng nước sạch và đến cơ sở y tế ngay lập tức.** Chất này có thể khiến bạn giảm thị lực.
5. **Không để hộp pin ở tình trạng đoản mạch:**
 - (1) **Không chạm vào cực pin bằng vật liệu dẫn điện.**
 - (2) **Tránh cắt giữ hộp pin trong hộp có các vật kim loại khác như đinh, tiền xu, v.v...**

- (3) **Không được để hộp pin tiếp xúc với nước hoặc mưa.**

Đoản mạch pin có thể gây ra dòng điện lớn, quá nhiệt, có thể gây bỏng và thậm chí là hỏng hóc.

6. **Không cất giữ cũng như sử dụng dụng cụ và hộp pin ở nơi nhiệt độ có thể lên tới hoặc vượt quá 50 °C (122 °F).**
7. **Không đốt hộp pin ngay cả khi hộp pin đã bị hư hại nặng hoặc hư hỏng hoàn toàn. Hộp pin có thể nổ khi tiếp xúc với lửa.**
8. **Không đóng đinh, cắt, nghiền nát, ném, làm rơi hộp pin hoặc va vật cứng vào hộp pin.** Làm như thế có thể dẫn đến hỏa hoạn, quá nhiệt hoặc nổ.
9. **Không sử dụng pin đã hỏng.**
10. **Pin nén lithium-ion là đối tượng có yêu cầu bắt buộc theo Luật Hàng hoá Nguy hiểm.** Đối với vận tải thương mại, ví dụ như vận tải do bên thứ ba, đại lý giao nhận, thì yêu cầu đặc biệt về đóng gói và nhãn ghi phải được giám sát. Để chuẩn bị cho mặt hàng cần vận chuyển, cần phải tham khảo ý kiến chuyên gia về vật liệu nguy hiểm. Nếu được, vui lòng tuân thủ các quy định quốc gia chi tiết hơn. Buộc hoặc niêm phong các tiếp điểm mở và đóng gói pin theo cách đó để nó không thể di chuyển trong bao bì.
11. **Khí vứt bỏ hộp pin, hãy tháo chúng khỏi dụng cụ và thải bỏ ở nơi an toàn. Phải tuân thủ theo các quy định của địa phương liên quan đến việc thải bỏ pin.**
12. **Chỉ sử dụng pin cho các sản phẩm Makita chỉ định.** Lắp pin vào sản phẩm không thích hợp có thể gây ra hỏa hoạn, quá nhiệt, nổ, hoặc rò chất điện phân.
13. **Nếu dụng cụ không được sử dụng trong một thời gian dài, cần phải tháo pin ra khỏi dụng cụ.**
14. **Trong và sau khi sử dụng, hộp pin có thể bị nóng, có thể gây bỏng hoặc bỏng ở nhiệt độ thấp. Chú ý xử lý hộp pin nóng.**
15. **Không chạm vào điện cực của dụng cụ ngay sau khi sử dụng vì điện cực đủ nóng để gây bỏng.**
16. **Không để vận bào, bụi hoặc đất bám vào các điện cực, lỗ và rãnh của hộp pin.** Điều này có thể làm nóng, bắt lửa, nổ và gây trục trặc cho dụng cụ hoặc hộp pin, dẫn đến bỏng hoặc thương tích cá nhân.
17. **Trừ khi dụng cụ hỗ trợ sử dụng gần đường dây điện cao thế, không sử dụng hộp pin gần đường dây điện cao thế.** Việc này có thể dẫn đến trục trặc hoặc hỏng hóc dụng cụ hay hộp pin.
18. **Giữ pin tránh xa trẻ em.**

LƯU GIỮ CÁC HƯỚNG DẪN NÀY.

⚠THẬN TRỌNG: Chỉ sử dụng pin Makita chính hãng. Việc sử dụng pin không chính hãng Makita, hoặc pin đã được sửa đổi, có thể dẫn đến nổ pin gây ra cháy, thương tích và thiệt hại cá nhân. Nó cũng sẽ làm mất hiệu lực bảo hành của Makita dành cho dụng cụ của Makita và bộ sạc.

Mẹo duy trì tuổi thọ tối đa cho pin

1. Sạc hộp pin trước khi pin bị xả điện hoàn toàn. Luôn dừng việc vận hành dụng cụ và sạc pin khi bạn nhận thấy công suất dụng cụ bị giảm.
2. Không được phép sạc lại một hộp pin đã được sạc đầy. Sạc quá mức sẽ làm giảm tuổi thọ của pin.

3. Sạc pin ở nhiệt độ phòng 10°C - 40°C. Để cho hộp pin nóng nguội lại dần trước khi sạc pin.
4. Khi không sử dụng hộp pin, hãy tháo hộp pin ra khỏi dụng cụ hoặc bộ sạc.
5. Sạc pin sáu tháng một lần nếu bạn không sử dụng dụng cụ trong một thời gian dài (hơn sáu tháng).

MÔ TẢ CÁC BỘ PHẬN

► Hình4

1	Hộp pin	2	Cần chuyển đổi tốc độ	3	Cần khởi động công tắc	4	Nút nhà khóa
5	Cần gạt dài	6	Bộ phận bảo vệ	7	Tay cầm có quai	8	Móc gắn
9	Dây nịt vai	-	-	-	-	-	-

LẮP RÁP

⚠ CẢNH BÁO: Luôn đảm bảo rằng đã tắt dụng cụ và tháo hộp pin ra trước khi thực hiện bất cứ thao tác nào trên dụng cụ. Không tắt hoặc tháo hộp pin vì có thể dẫn đến các thương tích cá nhân nghiêm trọng do vô tình khởi động máy.

⚠ CẢNH BÁO: Không bao giờ khởi động dụng cụ trừ khi nó đã được lắp ráp hoàn chỉnh. Vận hành dụng cụ trong tình trạng chỉ được lắp ráp một phần có thể dẫn đến thương tích nghiêm trọng do tình khởi động máy.

Gắn cần gạt dài

Gắn cần gạt dài vào tay cầm có quai bằng vít trên cần gạt dài.

► **Hình5:** 1. Cần gạt dài 2. Vít

⚠ THẬN TRỌNG: Sau khi lắp ráp cần gạt dài, không tháo ra. Cần gạt dài hoạt động như bộ phận an toàn giúp bạn không vô tình tiếp xúc với lưỡi cắt.

Lắp bộ phận bảo vệ

⚠ CẢNH BÁO: Không bao giờ được dùng dụng cụ mà không gắn tấm bảo vệ đúng chỗ như minh họa. Không làm như vậy có thể gây ra thương tích cá nhân nghiêm trọng.

⚠ THẬN TRỌNG: Cần thận để không làm tổn thương bản thân khi cắt dây ni lông trên máy cắt.

Gắn bộ phận bảo vệ vào bàn kẹp bằng bu lông.

► **Hình6:** 1. Bàn kẹp 2. Bu-lông 3. Bộ phận bảo vệ

Sau khi lắp bộ phận bảo vệ, tháo nắp đậy thanh cắt ra khỏi thanh cắt.

► **Hình7:** 1. Thanh cắt 2. Nắp đậy thanh cắt

Trước khi lắp dụng cụ cắt, tháo đai ốc, mũ chụp và vòng đệm bàn kẹp khỏi trụ quay bằng cách xoay đai ốc theo chiều kim đồng hồ bằng cách sử dụng cờ lê ống lồng trong khi giữ nút khóa trụ quay.

► **Hình8:** 1. Đai ốc 2. Nắp côn 3. Vòng đệm bàn kẹp 4. Trụ quay 5. Nút khóa trụ quay

Lắp dụng cụ cắt

LƯU Ý: Loại dụng cụ cắt được cung cấp làm phụ kiện tiêu chuẩn có thể khác nhau tùy theo quốc gia. Dụng cụ cắt không được đi kèm ở một số quốc gia.

LƯU Ý: Xoay dụng cụ ngược xuống để bạn có thể thay thế dụng cụ cắt dễ dàng.

Lưỡi máy cắt

⚠ THẬN TRỌNG: Khi xử lý lưỡi máy cắt, luôn đeo găng tay và đẩy nắp đậy lưỡi cắt lên lưỡi cắt.

⚠ THẬN TRỌNG: Lưỡi máy cắt phải được đánh bóng, và không có vết nứt hay vỡ. Nếu lưỡi máy cắt chạm phải đá trong quá trình vận hành, hãy dừng dụng cụ và kiểm tra lưỡi máy cắt ngay lập tức.

⚠ THẬN TRỌNG: Luôn sử dụng lưỡi máy cắt với đường kính được mô tả trong phần thông số kỹ thuật.

► **Hình9:** 1. Đai ốc 2. Nắp côn 3. Vòng đệm bàn kẹp 4. Lưỡi máy cắt 5. Trụ quay 6. Phần bảo vệ 7. Nút khóa trụ quay

1. Gắn lưỡi máy cắt lên phần bảo vệ để các mũi tên trên lưỡi máy cắt và bộ phận bảo vệ chỉ theo cùng hướng.

► **Hình10:** 1. Mũi tên

2. Đặt vòng đệm bàn kẹp và nắp côn lên trên lưỡi máy cắt.

3. Trong khi giữ nút khóa trụ quay hướng xuống, dùng cờ lê ống lồng vận hành thật chặt đai ốc.

► **Hình11:** 1. Nút khóa trụ quay 2. Cờ lê ống lồng 3. Nới lỏng 4. Vận chặt

Đề tháo lưỡi máy cắt, hãy nói lỏng đai ốc trong khi giữ nút khóa trục quay hướng xuống.

Đầu cắt ni lông

CHÚ Ý: Hãy chắc chắn sử dụng đầu cắt ni lông Makita chính hãng.

Trong khi giữ nút khóa trục quay hướng xuống, đặt đầu cắt ni lông lên trên trục quay và dùng tay vận chặt lại.
▶ **Hình12:** 1. Đầu cắt ni lông 2. Trục quay 3. Nút khóa trục quay 4. Nói lỏng 5. Vận chặt

Đề tháo đầu cắt ni lông, hãy nói lỏng đầu cắt ni lông trong khi giữ nút khóa trục quay hướng xuống.

Lưỡi nhựa

CHÚ Ý: Hãy chắc chắn bạn sử dụng lưỡi nhựa Makita chính hãng.

Trong khi giữ nút khóa trục quay hướng xuống, hãy đặt lưỡi nhựa lên trên trục quay và dùng tay vận chặt lại.
▶ **Hình13:** 1. Lưỡi nhựa 2. Trục quay 3. Nút khóa trục quay 4. Nói lỏng 5. Vận chặt

Đề tháo lưỡi nhựa, hãy nói lỏng lưỡi nhựa trong khi giữ nút khóa trục quay hướng xuống.

LƯU Ý: Bạn cũng có thể sử dụng cờ lê lục giác được cung cấp để lắp/tháo dụng cụ cắt. Lắp cờ lê lục giác qua lỗ như minh họa trong hình để khóa trụ quay.

▶ **Hình14:** 1. Cờ lê lục giác 2. Lỗ

⚠ THẬN TRỌNG: Luôn sử dụng cờ lê được cung cấp để lắp đặt/tháo dụng cụ cắt.

⚠ THẬN TRỌNG: Đảm bảo đã tháo cờ lê lục giác được lắp vào đầu dụng cụ sau khi lắp dụng cụ cắt.

Cắt giữ cờ lê sáu cạnh

⚠ THẬN TRỌNG: Cần thận không để cờ lê sáu cạnh gần vào đầu dụng cụ. Làm vậy có thể gây ra chấn thương và/hoặc làm hỏng dụng cụ.

Khi không sử dụng, cắt giữ cờ lê sáu cạnh như được minh họa trong hình để tránh làm mất.

▶ **Hình15:** 1. Tay cầm có quai 2. Cờ lê sáu cạnh

MÔ TẢ CHỨC NĂNG

⚠ CẢNH BÁO: Luôn đảm bảo rằng đã tắt dụng cụ và tháo hộp pin ra trước khi thực hiện việc điều chỉnh hoặc kiểm tra chức năng trên dụng cụ. Không tắt hoặc tháo hộp pin vì có thể dẫn đến các thương tích cá nhân nghiêm trọng do vô tình khởi động máy.

Lắp hoặc tháo hộp pin

⚠ THẬN TRỌNG: Luôn tắt dụng cụ trước khi lắp hoặc tháo hộp pin.

⚠ THẬN TRỌNG: Giữ dụng cụ và hộp pin thật chắc khi lắp hoặc tháo hộp pin. Không giữ dụng cụ và hộp pin thật chắc có thể làm trượt chúng khỏi tay và làm hư hỏng dụng cụ và hộp pin hoặc gây thương tích cá nhân.

▶ **Hình16:** 1. Chỉ báo màu đỏ 2. Nút 3. Hộp pin

Đề tháo hộp pin, vừa trượt pin ra khỏi dụng cụ vừa đẩy trượt nút ở phía trước hộp pin.

Để lắp hộp pin, đặt thẳng hàng phần chốt nhô ra của hộp pin vào phần rãnh nằm trên vỏ và trượt hộp pin vào vị trí. Đưa hộp pin vào hết mức cho đến khi chốt khóa vào đúng vị trí với một tiếng cách nhẹ. Nếu bạn có thể nhìn thấy chỉ báo màu đỏ như thể hiện trong hình, điều đó có nghĩa vẫn chưa được khóa hoàn toàn.

⚠ THẬN TRỌNG: Luôn lắp hộp pin khớp hoàn toàn vào vị trí cho đến khi không thể nhìn thấy chỉ báo màu đỏ. Nếu không, hộp pin có thể vô tình rơi ra khỏi dụng cụ, gây thương tích cho bạn hoặc người khác xung quanh.

⚠ THẬN TRỌNG: Không được dùng sức lắp hộp pin. Nếu hộp pin không nhẹ nhàng trượt vào vị trí, có nghĩa là pin vẫn chưa được lắp đúng.

Hệ thống bảo vệ dụng cụ / pin

Dụng cụ này được trang bị hệ thống bảo vệ dụng cụ / pin. Hệ thống này sẽ tự động ngắt nguồn điện động cơ để kéo dài tuổi thọ dụng cụ và pin. Dụng cụ sẽ tự động dừng vận hành khi dụng cụ hoặc pin ở một trong những trường hợp sau đây:

▶ **Hình17:** 1. Đèn chỉ báo

Bảo vệ quá tải

Nếu dụng cụ rơi vào một trong những tình trạng sau, dụng cụ sẽ tự động dừng lại và đèn chỉ báo sẽ sáng lên:

- Dụng cụ bị quá tải do cò đại hoặc các mảnh vỡ khác vướng vào.
- Dụng cụ cắt bị khóa.

Trong trường hợp này, hãy nhà cần khởi động công tắc và loại bỏ cò hoặc các mảnh vụn khác bám vào nếu cần thiết. Sau đó, cần khởi động công tắc một lần nữa để tiếp tục.

⚠ THẬN TRỌNG: Nếu bạn cần loại bỏ cò bị vướng trên dụng cụ hoặc nhà dụng cụ cắt đã khóa, đảm bảo đã tắt dụng cụ trước khi bạn bắt đầu.

Bảo vệ quá nhiệt

Khi dụng cụ hoặc pin bị quá nhiệt, dụng cụ sẽ tự động dừng và đèn chỉ báo sẽ sáng lên. Trong trường hợp này, hãy để dụng cụ và pin nguội trước khi bật dụng cụ lại.

Bảo vệ xả điện quá mức

Khi dung lượng pin không đủ, đèn chỉ báo sẽ nhấp nháy. Trong trường hợp này, hãy tháo pin khỏi dụng cụ và sạc pin cho hộp pin, hoặc đổi hộp pin thành hộp pin đã sạc đầy.

LƯU Ý: Khi dung lượng pin hết, dụng cụ sẽ dừng lại và đèn chỉ báo sáng lên.

Bảo vệ chống lại các nguyên nhân khác

Hệ thống bảo vệ cũng được thiết kế để chống lại các nguyên nhân khác có thể làm hỏng dụng cụ và cho phép dụng cụ tự động dừng. Thực hiện tất cả các bước sau đây để loại bỏ các nguyên nhân, khi dụng cụ đã được tạm dừng hoặc ngừng hoạt động.

1. Tắt dụng cụ, sau đó bật lại lần nữa để khởi động lại.
2. Sạc (các) pin hoặc thay pin/các pin bằng (các) pin đã sạc.
3. Để dụng cụ và (các) pin nguội dần.

Nếu không thấy cải thiện bằng cách khôi phục hệ thống bảo vệ, hãy liên hệ với Trung tâm Dịch vụ Makita tại địa phương của bạn.















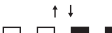

CHÚ Ý: Nếu dụng cụ dừng vì nguyên nhân không được mô tả bên trên, hãy tham khảo phần xử lý sự cố.

Chỉ báo dung lượng pin còn lại

Chỉ dành cho hộp pin có đèn chỉ báo

► **Hình18:** 1. Các đèn chỉ báo 2. Nút Check (kiểm tra)

Ấn nút check (kiểm tra) trên hộp pin để chỉ báo dung lượng pin còn lại. Các đèn chỉ báo bật sáng lên trong vài giây.

Các đèn chỉ báo			Dung lượng còn lại
 Bật sáng	 Tắt	 Nhấp nháy	
			75% đến 100%
			50% đến 75%
			25% đến 50%
			0% đến 25%
			Sạc pin.
			Pin có thể đã bị hỏng.
			

LƯU Ý: Tùy thuộc vào các điều kiện sử dụng và nhiệt độ xung quanh, việc chỉ báo có thể khác biệt một chút so với dung lượng thực sự.

LƯU Ý: Đèn chỉ báo (phía xa bên trái) đầu tiên sẽ nhấp nháy khi hệ thống bảo vệ pin hoạt động.

Hoạt động công tắc

⚠ CẢNH BÁO: Trước khi lắp hộp pin vào dụng cụ, luôn luôn kiểm tra xem cần khởi động công tắc có hoạt động bình thường hay không và trả về vị trí “OFF” (TẮT) khi nhả ra.

⚠ CẢNH BÁO: Để bạn được an toàn, dụng cụ này đều được trang bị nút nhà khóa nhằm ngăn ngừa vô ý khởi động dụng cụ. Không sử dụng dụng cụ này nếu nó khởi động khi bạn chỉ kéo có khởi động công tắc mà không nhấn nút nhà khóa. Nhờ Trung Tâm Bảo Trì Makita ở địa phương bạn ở sửa chữa.

⚠ CẢNH BÁO: Không bao giờ tắt chức năng khóa hoặc giữ nhấn chặt nút nhà khóa.

CHÚ Ý: Không được kéo cưỡng chế có khởi động công tắc mà không nhấn nút nhà khóa. Công tắc có thể bị vỡ.

► **Hình19:** 1. Nút nhà khóa 2. Cần khởi động công tắc

Để ngăn ngừa vô tình kéo cần khởi động công tắc, dụng cụ được trang bị một nút nhà khóa.

Để khởi động dụng cụ, nhấn nút nhà khóa và kéo cần khởi động công tắc. Nhà cần khởi động công tắc ra để dừng. Có thể ấn nút mở khóa từ bên phải hoặc bên trái.

Điều chỉnh tốc độ

Bạn có thể chọn tốc độ dụng cụ bằng cách trượt cần chuyển đổi tốc độ. Để chọn tốc độ cao, di chuyển cần chuyển đổi tốc độ về phía trước. Để chọn tốc độ thấp, di chuyển cần chuyển đổi tốc độ về phía sau.

► **Hình20:** (1) Tốc độ thấp (2) Tốc độ cao (3) Cần chuyển đổi tốc độ

Phanh điện tử

Dụng cụ này được trang bị phanh điện tử. Nếu dụng cụ không thể dừng nhanh sau khi đã nhả cần khởi động công tắc, hãy đem dụng cụ đến trung tâm dịch vụ của chúng tôi.

⚠ THẬN TRỌNG: Hệ thống phanh này không phải là vật thay thế cho bộ phận bảo vệ. Tuyệt đối không sử dụng dụng cụ mà không có bộ phận bảo vệ. Dụng cụ cắt không được bảo vệ có thể gây thương tích cá nhân nghiêm trọng.

VẬN HÀNH

Lắp dây nịt vai

⚠ THẬN TRỌNG: Luôn sử dụng dây nịt vai được gắn vào dụng cụ. Trước khi vận hành, điều chỉnh dây nịt vai theo kích cỡ người sử dụng để tránh bị mệt mỏi.

⚠ THẬN TRỌNG: Trước khi vận hành, đảm bảo rằng dây nịt vai được gắn đúng cách vào móc treo trên dụng cụ.

⚠ THẬN TRỌNG: Khi bạn sử dụng dụng cụ kết hợp với nguồn điện kiểu đeo trên vai như bộ cấp nguồn di động đeo vai, không sử dụng dây nịt vai có trong thùng đóng gói của dụng cụ mà hãy sử dụng băng treo được Makita khuyến dùng.

Nếu bạn đeo dây nịt vai có trong thùng đóng gói của dụng cụ và dây nịt vai của nguồn điện kiểu đeo trên vai cùng một lúc, việc tháo dụng cụ hoặc nguồn điện kiểu đeo trên vai sẽ rất khó khăn trong trường hợp khẩn cấp và có thể gây ra tai nạn hoặc thương tích. Đối với băng treo được khuyến dùng, hãy hỏi Trung tâm dịch vụ được ủy quyền của Makita.

Nối móc của dây nịt vai với móc gắn và đặt dây nịt vai lên. Đảm bảo dụng cụ được giữ chặt bằng dây nịt vai.

► **Hình21:** 1. Móc treo 2. Móc gắn

Dây nịt vai được trang bị để nhà nhanh. Chỉ cần bóp hai bên nịt trong khi giữ dụng cụ để nhà dụng cụ khỏi dây nịt vai.

► **Hình22:** 1. Nịt

Điều khiển dụng cụ đúng cách

⚠ CẢNH BÁO: Luôn luôn đặt dụng cụ ở phía bên tay phải của bạn. Đặt dụng cụ đúng vị trí cho phép kiểm soát tối đa và sẽ làm giảm nguy cơ thương tích cá nhân nghiêm trọng do bị đẩy ngược lại.

⚠ CẢNH BÁO: Cần phải hết sức cẩn thận để duy trì kiểm soát dụng cụ mọi lúc. Không để dụng cụ bị lệch về phía bạn hay bất cứ ai trong vùng lân cận. Không duy trì kiểm soát dụng cụ có thể dẫn đến thương tích nghiêm trọng cho người đi đường và người vận hành.

⚠ CẢNH BÁO: Để tránh tai nạn, chứa một khoảng cách hơn 15 mét (50 feet) giữa những người vận hành khi có hai hay nhiều người vận hành cùng làm việc trong một khu vực. Ngoài ra, hãy sắp xếp một người quan sát khoảng cách giữa những người vận hành. Nếu có người hoặc một con vật vào khu vực làm việc, dừng hoạt động ngay lập tức.

⚠ THẬN TRỌNG: Nếu dụng cụ cắt vô tình và phải tăng đá hoặc vật cứng trong khi hoạt động, hãy dừng dụng cụ lại và kiểm tra hư hỏng. Nếu dụng cụ cắt bị hỏng, hãy thay nó ngay lập tức. Sử dụng dụng cụ cắt bị hỏng có thể gây thương tích cá nhân nghiêm trọng.

⚠ THẬN TRỌNG: Tháo nắp đậy lưỡi dao khỏi lưỡi máy cắt khi cắt cỏ.

Định vị và điều khiển chính xác giúp kiểm soát tối ưu và giảm nguy cơ thương tích do bật ngược.

► **Hình23**

Khi sử dụng đầu cắt ni lông (loại đẩy và nạp)

Đầu cắt ni lông là đầu máy cắt cỏ cầm tay hoạt động bằng động cơ điện kép được cung cấp có cơ chế đẩy và nạp.

Để nạp thêm dây ni lông, nhấn đầu cắt xuống mặt đất khi đầu cắt đang quay.

► **Hình24:** 1. Khu vực cắt hiệu quả nhất

CHÚ Ý: Cơ chế đẩy nạp sẽ không hoạt động đúng cách nếu đầu cắt ni lông không quay.

LƯU Ý: Nếu dây ni lông không chạy ra trong khi nhấn đầu dụng cụ, hãy lên dây lại/thay dây ni lông bằng cách làm theo quy trình trong phần bảo trì.

BẢO TRÌ

⚠ CẢNH BÁO: Hãy luôn chắc chắn rằng dụng cụ đã được tắt và hộp pin đã được tháo ra trước khi cố gắng thực hiện việc kiểm tra hay bảo trì dụng cụ. Không tắt hoặc tháo hộp pin vì có thể dẫn đến các thương tích cá nhân nghiêm trọng do vô tình khởi động máy.

CHÚ Ý: Không được phép dùng xăng, ết xăng, dung môi, cồn hoặc hóa chất tương tự. Có thể xảy ra hiện tượng mất màu, biến dạng hoặc nứt vỡ.

Để đảm bảo ĐỘ AN TOÀN và ĐỘ TIN CẬY của sản phẩm, việc sửa chữa hoặc bất cứ thao tác bảo trì, điều chỉnh nào đều phải được thực hiện bởi các Trung tâm Dịch vụ Nhà máy hoặc Trung tâm được Makita Ủy quyền và luôn sử dụng các phụ tùng thiết bị thay thế của Makita.

Thay thế dây ni lông

⚠ CẢNH BÁO: Chỉ sử dụng dây ni lông có đường kính được quy định trong tài liệu hướng dẫn này. Tuyệt đối không sử dụng dây nặng hơn, dây kim loại, dây thừng hoặc các loại dây tương tự. Nếu không làm như vậy có thể gây hỏng dụng cụ hoặc thương tích cá nhân nghiêm trọng.

⚠ CẢNH BÁO: Luôn tháo đầu cắt ni lông ra khỏi dụng cụ khi thay dây ni lông.

⚠ CẢNH BÁO: Đảm bảo nắp của đầu cắt ni lông được cố định chặt đúng cách vào vỏ như mô tả trong tài liệu hướng dẫn này. Nếu không vặn chặt nắp đúng cách có thể làm cho đầu cắt ni lông bay ra ngoài gây thương tích cá nhân nghiêm trọng.

Thay thế dây ni lông nếu dây không nạp lên nữa. Phương pháp thay thế dây ni lông thay đổi tùy thuộc vào loại đầu cắt ni lông.

95-M10L

► Hình25: (1) Tối đa 4 m (2) 80 mm (3) 100 mm

96-M10L

► Hình26: (1) Tối đa 4 m (2) 100 mm

Thay lưỡi nhựa

Thay lưỡi nhựa nếu lưỡi bị mòn hoặc vỡ.

Khi lắp lưỡi dao nhựa, đặt thẳng hướng mũi tên trên lưỡi dao trùng khớp với mũi tên của bộ phận bảo vệ.

► Hình27: 1. Mũi tên trên bộ phận bảo vệ

► Hình28

► Hình29: 1. Mũi tên trên lưỡi dao

Mài lưỡi kim loại

⚠ THẬN TRỌNG: Trước khi mài lưỡi kim loại, đảm bảo rằng đã tắt dụng cụ và tháo hộp pin ra khỏi dụng cụ.

CHÚ Ý: Nếu lưỡi kim loại đã bị biến dạng đáng kể do mài, hãy thay thế lưỡi kim loại bằng lưỡi kim loại mới.

CHÚ Ý: Khi bạn mài lưỡi kim loại bằng dụng cụ như máy mài, không được dùng lực lên bánh xe để lưỡi cưa không bị nóng lên. Nếu lưỡi cưa nóng lên, không làm mát lưỡi kim loại bằng nước.

Mài lưỡi cắt kim loại nếu lưỡi kim loại bị mòn. Mài lưỡi kim loại theo chỉ dẫn trong hình. Mài tất cả 8 đầu lưỡi kim loại theo cách tương tự.

► Hình30: (1) 10 mm (2) 2 mm trở lên (3) Hình tròn

XỬ LÝ SỰ CỐ

Trước khi yêu cầu sửa chữa, đầu tiên hãy tự tiến hành kiểm tra của riêng bạn. Nếu bạn phát hiện vấn đề nào đó không được giải thích trong sách hướng dẫn sử dụng này, đừng cố tháo dỡ dụng cụ. Thay vào đó, hãy nhờ Trung tâm dịch vụ Makita được ủy quyền, luôn sử dụng bộ phận thay thế của Makita để sửa chữa.

Tình trạng bất thường	Nguyên nhân tiềm tàng (sự cố hồng học)	Biện pháp khắc phục
Động cơ không chạy.	Không lắp hộp pin.	Lắp hộp pin.
	Vấn đề pin (điện áp thấp)	Sạc lại pin. Nếu sạc pin lại không hiệu quả, hãy thay thế pin.
	Hệ thống truyền động không làm việc đúng cách.	Nhờ trung tâm bảo trì được ủy quyền ở địa phương sửa chữa.
Động cơ ngừng chạy sau khi ít sử dụng đến.	Mức sạc pin thấp.	Sạc lại pin. Nếu sạc pin lại không hiệu quả, hãy thay thế pin.
	Quá nhiệt.	Ngừng sử dụng dụng cụ để nó nguội dần.
Nó không đạt RPM tối đa.	Pin được lắp đúng cách.	Lắp hộp pin như mô tả trong sách hướng dẫn này.
	Nguồn pin bị tự áp.	Sạc lại pin. Nếu sạc pin lại không hiệu quả, hãy thay thế pin.
	Hệ thống truyền động không làm việc đúng cách.	Nhờ trung tâm bảo trì được ủy quyền ở địa phương sửa chữa.
Dụng cụ cắt không xoay: ⇒ ngừng máy ngay lập tức!	Ngoại vật như nhánh cây bị kẹt giữa tấm bảo vệ và dụng cụ cắt.	Gỡ ngoại vật ra.
	Hệ thống truyền động không làm việc đúng cách.	Nhờ trung tâm bảo trì được ủy quyền ở địa phương sửa chữa.
Rung bất thường: ⇒ ngừng máy ngay lập tức!	Một đầu của dây ni lông đã bị hỏng.	Nhấn đầu cắt ni lông nằm trên mặt đất khi nó đang quay để làm cho dây được nạp vào.
	Hệ thống truyền động không làm việc đúng cách.	Nhờ trung tâm bảo trì được ủy quyền ở địa phương sửa chữa.
Dụng cụ cắt và động cơ không thể dừng lại: ⇒ Tháo hộp pin ngay lập tức!	Hư hỏng điện hoặc điện tử.	Tháo pin và nhờ trung tâm bảo trì được ủy quyền ở địa phương sửa chữa.

PHỤ KIỆN TỰ CHỌN

⚠ CẢNH BÁO: Chỉ sử dụng phụ kiện hoặc phụ tùng được khuyến cáo trong sách hướng dẫn này. Sử dụng bất kỳ phụ kiện hoặc phụ tùng nào khác cũng có thể gây thương tích cá nhân nghiêm trọng.

⚠ THẬN TRỌNG: Các phụ kiện hoặc phụ tùng gắn thêm này được khuyến cáo sử dụng với dụng cụ Makita của bạn theo như quy định trong hướng dẫn này. Việc sử dụng bất cứ phụ kiện hoặc phụ tùng gắn thêm nào khác đều có thể gây ra rủi ro thương tích cho người. Chỉ sử dụng phụ kiện hoặc phụ tùng gắn thêm cho mục đích đã quy định sẵn của chúng.

Nếu bạn cần bất kỳ sự hỗ trợ nào để biết thêm chi tiết về các phụ tùng này, hãy hỏi Trung tâm Dịch vụ của Makita tại địa phương của bạn.

- Lưỡi máy cắt
- Đầu cắt ni lông
- Dây ni lông (đường cắt)
- Lưỡi nhựa
- Pin và bộ sạc chính hãng của Makita

LƯU Ý: Một số mục trong danh sách có thể được bao gồm trong gói dụng cụ làm phụ kiện tiêu chuẩn. Các mục này ở mỗi quốc gia có thể khác nhau.

ข้อมูลจำเพาะ

รุ่น:	DUR194	
ประเภทของมือจับ	มือจับรูปห่วง	
ความเร็วหมุนเปล่า	2: 6,000 min ⁻¹ 1: 4,500 min ⁻¹	
ความยาวโดยรวม (โดยไม่มีเครื่องมือตัด)	1,580 mm	
เส้นผ่านศูนย์กลางสายในลอน	2.0 mm	
เครื่องมือตัดที่ สามารถใช้ได้ และเส้นผ่าน ศูนย์กลาง การตัด	ใบมีดฟัน 8 ซี่ (P/N 191Y44-2)	200 mm
	หัวตัดในลอน (P/N 198893-8, 191D89-4)	280 mm
	ใบเลื่อยพลาสติก (P/N 191Y45-0)	230 mm
แรงดันไฟฟ้าสูงสุด	D.C. 18 V	
น้ำหนักสุทธิ	2.6 - 2.9 kg	

- เนื่องจากการค้นคว้าวิจัยและพัฒนาอย่างต่อเนื่อง ข้อมูลจำเพาะในเอกสารฉบับนี้อาจเปลี่ยนแปลงได้โดยไม่ต้องแจ้งให้ทราบล่วงหน้า
- ข้อมูลจำเพาะอาจแตกต่างกันไปในแต่ละประเทศ
- น้ำหนักอาจแตกต่างกันไปตามอุปกรณ์เสริม รวมถึงตลับแบตเตอรี่ การตัดอุปกรณ์เสริมที่เบาที่สุดและหนักที่สุดตามข้อบังคับของ EPTA 01/2014 มีแสดงอยู่ในตาราง

ตลับแบตเตอรี่และเครื่องชาร์จที่ใช้ได้

ตลับแบตเตอรี่	BL1815N / BL1820B / BL1830B / BL1840B / BL1850B / BL1860B
เครื่องชาร์จ	DC18RC / DC18RD / DC18RE / DC18SD / DC18SE / DC18SF / DC18SH

- ตลับแบตเตอรี่และเครื่องชาร์จบางรายการที่แสดงอยู่ด้านบนอาจไม่มีจำหน่ายขึ้นอยู่กับภูมิภาคที่คุณอาศัยอยู่

⚠ คำเตือน: ใช้ตลับแบตเตอรี่และเครื่องชาร์จที่ระบุไว้ข้างบนเท่านั้น การใช้ตลับแบตเตอรี่และเครื่องชาร์จประเภทอื่นอาจก่อให้เกิดความเสี่ยงที่จะได้รับบาดเจ็บและ/หรือเกิดไฟไหม้

แหล่งจ่ายไฟแบบเชื่อมต่อสายไฟที่แนะนำ

ชุดต้นกำลังแบบพกพา	PDC01
--------------------	-------

- แหล่งจ่ายไฟแบบเชื่อมต่อสายไฟตามรายการด้านบนอาจไม่มีจำหน่ายขึ้นอยู่กับภูมิภาคที่คุณอยู่
- ก่อนใช้งานแหล่งจ่ายไฟแบบเชื่อมต่อสายไฟให้อ่านคำแนะนำและเครื่องหมายเตือนที่ติดอยู่

สัญลักษณ์

ต่อไปนี้เป็นสัญลักษณ์ที่อาจใช้สำหรับอุปกรณ์ โปรดศึกษาความหมายของสัญลักษณ์ให้เข้าใจก่อนการใช้งาน

	ใช้ความระมัดระวังและความสนใจเป็นพิเศษ
	อ่านคู่มือการใช้งาน
	เว้นระยะห่างอย่างน้อย 15 m
	อันตราย ระวังชิ้นส่วนที่กระเด็นมา
	ข้อควรระวัง; การติดกลับ
	สวมหมวกนิรภัย แวนดานิรภัย และอุปกรณ์ป้องกันเสียง
	สวมถุงมือป้องกัน
	สวมรองเท้าแข็งแรงที่มีพื้นกันลื่น แนะนำให้ใช้รองเท้าหัวเหล็ก
	คำเตือน ถอดแบตเตอรี่ก่อนทำการบำรุงรักษา
	อย่าให้โดนความชื้น



สำหรับประเทศในสหภาพยุโรปเท่านั้น เนื่องจากในอุปกรณ์มีส่วนประกอบอันตราย ขยะจำพวกอุปกรณ์ไฟฟ้า และอิเล็กทรอนิกส์ แบตเตอรี่ และหม้อแบตเตอรี่จึงอาจส่งผลกระทบต่อสิ่งแวดล้อมและสุขอนามัยของมนุษย์ในเชิงลบ อย่างไรก็ตามการใช้ไฟฟ้าและอิเล็กทรอนิกส์หรือแบตเตอรี่ร่วมกับวัสดุเหลือทิ้งในครัวเรือน!

เพื่อให้เป็นไปตามกฎระเบียบของยุโรปว่าด้วยขยะจำพวกอุปกรณ์ไฟฟ้าและอิเล็กทรอนิกส์ และหม้อสะสมไฟฟ้าและแบตเตอรี่ และขยะจำพวกหม้อสะสมไฟฟ้าและแบตเตอรี่ รวมถึงการบังคับใช้ตามกฎหมายภายในประเทศ ควรมีการจัดเก็บขยะจำพวกอุปกรณ์ไฟฟ้า แบตเตอรี่ และหม้อสะสมไฟฟ้าแยกต่างหากและส่งไปยังจุดรับขยะต่างหากในเขตเทศบาลซึ่งมีการดำเนินการตามระเบียบว่าด้วยการดูแลสิ่งแวดล้อม

โดยระบุด้วยสัญลักษณ์เส้นคนขวาวรูปถึงขยะแบบมีล้อไบนอุปกรณ์



ผ่านการรับรองระดับพลังงานเสียงตามกฎหมาย ระบุว่าด้วยเสียงรบกวนภายนอกของสหภาพยุโรป



ระดับพลังงานเสียงตามข้อบังคับการควบคุมเสียงรบกวนของรัฐนิวเซาท์เวลส์ ประเทศออสเตรเลีย

คำเตือนด้านความปลอดภัย

คำเตือนด้านความปลอดภัยของเครื่องมือไฟฟ้าทั่วไป

คำเตือน: โปรดอ่านคำเตือนด้านความปลอดภัย คำแนะนำ ภาพประกอบ และข้อมูลจำเพาะต่างๆ ที่ให้มากับเครื่องมือไฟฟ้านี้อย่างละเอียด การไม่ปฏิบัติตามคำแนะนำดังต่อไปนี้ อาจส่งผลให้เกิดไฟฟ้าช็อต ไฟไหม้ และ/หรือได้รับบาดเจ็บอย่างร้ายแรงได้

เก็บรักษาคำเตือนและคำแนะนำทั้งหมดไว้

เป็นข้อมูลอ้างอิงในอนาคต

คำว่า “เครื่องมือไฟฟ้า” ในคำเตือนนี้หมายถึงเครื่องมือไฟฟ้า (มีสาย) ที่ทำงานโดยใช้กระแสไฟฟ้าหรือเครื่องมือไฟฟ้า (ไร้สาย) ที่ทำงานโดยใช้แบตเตอรี่

ความปลอดภัยของพื้นที่ทำงาน

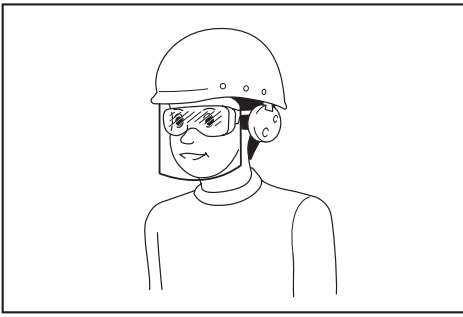
1. ดูแลพื้นที่ทำงานให้มีความสะอาดและมีแสงไฟสว่าง พื้นที่รกกระะระหรือมีดีที่บอาจนำไปสู่การเกิดอุบัติเหตุได้
2. อย่าใช้งานเครื่องมือไฟฟ้าในสภาพที่อาจเกิดการระเบิด เช่น ในสถานที่ที่มีของเหลว ก๊าซ หรือฝุ่นที่มีคุณสมบัติไวไฟ เครื่องมือไฟฟ้าอาจสร้างประกายไฟและจุดชนวนฝุ่นผงหรือก๊าซดังกล่าว
3. ดูแลไม่ให้มีเด็ก หรือบุคคลอื่นอยู่ในบริเวณที่กำลังใช้เครื่องมือไฟฟ้า การมีสิ่งรบกวนสมาธิอาจทำให้คุณสูญเสียการควบคุม

ความปลอดภัยด้านไฟฟ้า

1. ปลั๊กของเครื่องมือไฟฟ้าต้องพอดีกับตัวรับ อย่าดัดแปลงปลั๊กไม่ว่ากรณีใดๆ อย่าใช้ปลั๊กอะแดปเตอร์กับเครื่องมือไฟฟ้าที่ต่อสายดิน ปลั๊กที่ไม่ถูกดัดแปลงและตัวรับที่เข้ากันพอดีจะช่วยลดความเสี่ยงของการเกิดไฟฟ้าช็อต
2. ระวังอย่าให้ร่างกายสัมผัสกับพื้นผิวที่ต่อสายดิน เช่น ท่อ เครื่องนำความร้อน เตาทิ้งต้ม และตู้เย็น มีความเสี่ยงที่จะเกิดไฟฟ้ช็อตสูงขึ้น หากร่างกายของคุณสัมผัสกับพื้น
3. อย่าให้เครื่องมือไฟฟ้าถูกน้ำหรืออยู่ในสภาพเปียกชื้น น้ำที่ไหลเข้าไปในเครื่องมือไฟฟ้าจะเพิ่มความเสี่ยงของการเกิดไฟฟ้าช็อต
4. อย่าใช้สายไฟอย่างไม่เหมาะสม อย่าใช้สายไฟเพื่อยก ดึง หรือถอดปลั๊กเครื่องมือไฟฟ้า เก็บสายไฟให้ห่างจากความร้อน น้ำมัน ของมีคม หรือชิ้นส่วนที่เคลื่อนที่ สายที่ชำรุดหรือพันกันจะเพิ่มความเสี่ยงของการเกิดไฟฟ้าช็อต
5. ขณะที่ใช้งานเครื่องมือไฟฟ้านอกอาคาร ควรใช้สายต่อพ่วงที่เหมาะสมกับงานภายนอกอาคาร การใช้สายที่เหมาะสมกับงานภายนอกอาคารจะลดความเสี่ยงของการเกิดไฟฟ้าช็อต
6. หากต้องใช้งานเครื่องมือไฟฟ้าในสถานที่เปียกชื้น ให้ใช้อุปกรณ์ป้องกันกระแสไฟรั่ว (RCD) การใช้ RCD จะลดความเสี่ยงของการเกิดไฟฟ้าช็อต
7. เครื่องมือไฟฟ้าอาจสร้างสนามแม่เหล็ก (EMF) ที่ไม่เป็นอันตรายต่อผู้ใช้ อย่างไรก็ตาม ผู้ใช้ที่ใส่เครื่องกระตุ้นหัวใจและอุปกรณ์ทางการแพทย์ที่คล้ายกันนี้ ควรติดต่อผู้ผลิตอุปกรณ์และ/หรือแพทย์เพื่อรับคำแนะนำก่อนใช้งานเครื่องมือไฟฟ้านี้

ความปลอดภัยส่วนบุคคล

1. ให้ระมัดระวังและมึสติอยู่เสมอขณะใช้งานเครื่องมือไฟฟ้า อย่าใช้งานเครื่องมือไฟฟ้าในขณะที่คุณกำลังเหนื่อย หรือในสภาพที่มึนเมาจากยาเสพติด เครื่องดื่ม แอลกอฮอล์ หรือการไ้ยา ขั้วขณะที่ขาดความระมัดระวังเมื่อกำลังใช้งานเครื่องมือไฟฟ้าอาจทำให้ได้รับบาดเจ็บร้ายแรง
2. ใช้อุปกรณ์ป้องกันส่วนบุคคล สวมแว่นตาป้องกันเสมอ อุปกรณ์ป้องกัน เช่น หน้ากากกันฝุ่น รองเท้านิรภัย กันสั่น หมวกนิรภัย หรือเครื่องป้องกันการได้ยินที่ใช้ในสภาพที่เหมาะสมจะช่วยลดการบาดเจ็บ
3. ป้องกันไม่ให้เกิดการเปิดใช้งานโดยไม่ตั้งใจ ตรวจสอบให้แน่ใจว่าสวิตช์ปิดอยู่ก่อนที่จะเชื่อมต่อกับแหล่งจ่ายไฟ และ/หรือชุดแบตเตอรี่ รวมทั้งตรวจสอบก่อนการยกหรือเคลื่อนย้ายเครื่องมือ การสอดนิ้วมือบริเวณสวิตช์เพื่อถือเครื่องมือไฟฟ้า หรือการชาร์จไฟเครื่องมือไฟฟ้าในขณะที่เปิดสวิตช์อยู่อาจนำไปสู่การเกิดอุบัติเหตุ
4. นำกฎแฉปรับตั้งหรือประแจออกก่อนที่จะเปิดเครื่องมือไฟฟ้า ประแจหรือกฎแฉที่เสียบค้างอยู่ในชิ้นส่วนที่หมุนไ้ของเครื่องมือไฟฟ้าอาจทำให้ได้รับบาดเจ็บ
5. อย่าทำงานในระยะที่สูดเอื้อม จัดท่ากรยืนและการทรงตัวให้เหมาะสมตลอดเวลา เพราะจะทำให้ควบคุมเครื่องมือไฟฟ้าได้ดีขึ้นในสถานการณ์ที่ไม่คาดคิด
6. แต่งกายให้เหมาะสม อย่าสวมเครื่องแต่งกายที่หลวมเกินไป หรือสวมเครื่องประดับ ดูแลไม่ให้เส้นผมและเสื้อผ้าอยู่ใกล้ชิ้นส่วนที่เคลื่อนที่ เสื้อผ้ารุ่มร่าม เครื่องประดับ หรือผมที่มีความยาวอาจเข้าไปติดในชิ้นส่วนที่เคลื่อนที่
7. หากมีการจัดอุปกรณ์สำหรับดูดและจับฝุ่นไว้ในสถานที่ ให้ตรวจสอบว่าได้เชื่อมต่อและใช้งานอุปกรณ์นั้นอย่างเหมาะสม การใช้เครื่องดูดและจับฝุ่นจะช่วยลดอันตรายที่เกิดจากฝุ่นผงได้
8. อย่าให้ความคุ้นเคยจากการใช้งานเครื่องมือเป็นประจำทำให้คุณทำตามตัวตามสบายและละเลยหลักการเพื่อความปลอดภัยในการใช้เครื่องมือ การกระทำที่ไม่ระมัดระวังอาจทำให้เกิดการบาดเจ็บร้ายแรงภายในเสี้ยววินาที
9. สวมใส่แว่นครอบตานิรภัยเพื่อปกป้องดวงตาของคุณจากการบาดเจ็บเมื่อใช้เครื่องมือไฟฟ้า แวนครอบตาคจะต้องได้มาตรฐาน ANSI Z87.1 ในสหรัฐอเมริกา, EN 166 ในยุโรป หรือ AS/NZS 1336 ในออสเตรเลีย/นิวซีแลนด์ ในออสเตรเลีย/นิวซีแลนด์ จะต้องสวมเกราะป้องกันใบหน้าเพื่อปกป้องใบหน้าของคุณอย่างถูกต้องตามกฎหมายด้วย



ผู้ว่าจ้างมีหน้าที่รับผิดชอบในการบังคับผู้ใช้งานเครื่องมือและบุคคลอื่น ๆ ที่อยู่ในบริเวณที่ปฏิบัติงานให้ใช้อุปกรณ์ป้องกันที่เหมาะสม

การใช้และดูแลเครื่องมือไฟฟ้า

1. อย่าฝืนใช้เครื่องมือไฟฟ้า ใช้เครื่องมือไฟฟ้าที่เหมาะสมกับการใช้งานของคุณ เครื่องมือไฟฟ้าที่เหมาะสมจะทำให้ได้งานที่มีประสิทธิภาพและปลอดภัยกว่าตามขีดความสามารถของเครื่องที่ได้รับการออกแบบมา
2. อย่าใช้เครื่องมือไฟฟ้า หากสวิตช์ไม่สามารถเปิดปิดได้ เครื่องมือไฟฟ้าที่ควบคุมด้วยสวิตช์ไม่ได้เป็นสิ่งอันตรายและต้องได้รับการซ่อมแซม
3. ถอดปลั๊กจากแหล่งจ่ายไฟ และ/หรือชุดแบตเตอรี่ออกจากเครื่องมือไฟฟ้าก่อนทำการปรับตั้ง เปลี่ยนอุปกรณ์เสริม หรือจัดเก็บเครื่องมือไฟฟ้า วิธีการป้องกันด้านความปลอดภัยดังกล่าวจะช่วยลดความเสี่ยงในการเปิดใช้งานเครื่องมือไฟฟ้าโดยไม่ตั้งใจ
4. จัดเก็บเครื่องมือไฟฟ้าที่ไม่ได้ใช้งานให้ห่างจากมือเด็ก และอย่าอนุญาตให้บุคคลที่ไม่คุ้นเคยกับเครื่องมือไฟฟ้าหรือคำแนะนำเหล่านี้ใช้งานเครื่องมือไฟฟ้า เครื่องมือไฟฟ้าจะเป็นอันตรายเมื่ออยู่ในมือของผู้ที่ไม่ได้รับการฝึกอบรม
5. บำรุงรักษาเครื่องมือไฟฟ้าและอุปกรณ์เสริม ตรวจสอบการประกอบที่ไม่ถูกต้องหรือการเชื่อมต่อของชิ้นส่วนที่เคลื่อนที่ การแตกหักของชิ้นส่วน หรือสภาพอื่น ๆ ที่อาจส่งผลกระทบต่อการทำงานของเครื่องมือไฟฟ้า หากมีความเสียหาย ให้นำเครื่องมือไฟฟ้าไปซ่อมแซมก่อนการใช้งาน อุบัติเหตุจำนวนมากเกิดจากการดูแลรักษาเครื่องมือไฟฟ้าอย่างไม่ถูกต้อง
6. ทำความสะอาดเครื่องมือตัดและลับให้คมอยู่เสมอ เครื่องมือการตัดที่มีการดูแลอย่างถูกต้องและมีขอบการตัดคมมักจะมีปัญหาติดขัดน้อยและควบคุมได้ง่ายกว่า

7. ใช้เครื่องมือไฟฟ้า อุปกรณ์เสริม และวัสดุสิ้นเปลือง ฯลฯ ตามคำแนะนำดังกล่าว พิจารณาสภาพการทำงานและงานที่จะลงมือทำ การใช้เครื่องมือไฟฟ้าเพื่อทำงานอื่นนอกเหนือจากที่กำหนดไว้อาจทำให้เกิดอันตราย
8. ดูแลมือจับและบริเวณมือจับให้แห้ง สะอาด และไม่มีน้ำมันและจาระบีเปื้อน มือจับและบริเวณมือจับที่ลื่นจะทำให้ไม่สามารถจับและควบคุมเครื่องมือได้อย่างปลอดภัยในสถานการณ์ที่ไม่คาดคิด
9. ขณะใช้งานเครื่องมือ อย่าสวมใส่ถุงมือผ้าที่อาจเข้าไปติดในเครื่องมือได้ หากถุงมือผ้าเข้าไปติดในชิ้นส่วนที่กำลังเคลื่อนที่ที่อยู่อาจทำให้ได้รับบาดเจ็บ

การใช้งานและดูแลเครื่องมือที่ใช้แบตเตอรี่

1. ชาร์จไฟใหม่ด้วยเครื่องชาร์จที่ระบุโดยผู้ผลิตเท่านั้น เครื่องชาร์จที่เหมาะสมสำหรับชุดแบตเตอรี่ประเภทหนึ่งอาจเสี่ยงที่จะเกิดไฟไหม้หากนำไปใช้กับชุดแบตเตอรี่อีกประเภทหนึ่ง
2. ใช้เครื่องมือไฟฟ้ากับชุดแบตเตอรี่ที่กำหนดมาโดยเฉพาะเท่านั้น การใช้ชุดแบตเตอรี่ประเภทอื่นอาจทำให้เสี่ยงที่จะได้รับบาดเจ็บและเกิดไฟไหม้
3. เมื่อไม่ใช้งานชุดแบตเตอรี่ ให้เก็บห่างจากวัตถุที่เป็นโลหะอื่นๆ เช่น คลิปหนีบกระดาษ เหรียญ กุญแจ กรรไกรตัดเล็บ สกรู หรือวัตถุที่เป็นโลหะขนาดเล็กอื่นๆ ที่สามารถเชื่อมต่อกับขั้วหนึ่งกับอีกขั้วหนึ่งได้ การลัดวงจรขั้วแบตเตอรี่อาจทำให้อ่อนจัดหรือเกิดไฟไหม้
4. ในกรณีที่ใช้งานไม่ถูกต้อง อาจมีของเหลวไหลออกจากแบตเตอรี่ ให้หลีกเลี่ยงการสัมผัส หากสัมผัสโดนของเหลวโดยไม่ตั้งใจ ให้ล้างออกด้วยน้ำ หากของเหลวกระเด็นเข้าตา ให้รีบไปพบแพทย์ ของเหลวที่ไหลออกจากแบตเตอรี่อาจทำให้ผิวหนังระคายเคืองหรือไหม้
5. ห้ามใช้ชุดแบตเตอรี่หรือเครื่องมือที่ชาร์จหรือมีการแก้ไข แบตเตอรี่ที่เสียหายหรือมีการแก้ไขอาจทำให้เกิดสิ่งที่คาดไม่ถึงได้ เช่น ไฟไหม้ ระเบิด หรือเสี่ยงต่อการบาดเจ็บ
6. ห้ามให้ชุดแบตเตอรี่อยู่ใกล้ไฟ หรือบริเวณที่มีอุณหภูมิสูงเกิน หากโดนไฟ หรืออุณหภูมิสูงเกิน 130 °C อาจก่อให้เกิดการระเบิดได้
7. กรุณาปฏิบัติตามคำแนะนำสำหรับการชาร์จไฟ และห้ามชาร์จแบตเตอรี่หรือเครื่องมือในบริเวณที่มีอุณหภูมิสูงเกินไปจากที่ระบุในคำแนะนำ การชาร์จไฟที่ไม่เหมาะสม หรืออุณหภูมิสูงเกินไปจากช่วงอุณหภูมิที่ระบุในคำแนะนำอาจทำให้แบตเตอรี่เสียหายและเป็นการเพิ่มความเสี่ยงในการเกิดไฟไหม้

การซ่อมบำรุง

- นำเครื่องมือไฟฟ้าเข้ารับบริการจากช่างซ่อมที่ผ่านการรับรองโดยช่างไหลแบบเดียวกันเท่านั้น เพราะจะทำให้การใช้เครื่องมือไฟฟ้ามีความปลอดภัย
- ห้ามใช้ชุดแบตเตอรี่ที่เสียหาย ชุดแบตเตอรี่ที่ใช้ควรเป็นชุดที่มาจากผู้ผลิต หรือผู้ให้บริการที่ได้รับอนุญาตเท่านั้น
- ปฏิบัติตามคำแนะนำในการหล่อลื่นและการเปลี่ยนอุปกรณ์เสริม

คำแนะนำด้านความปลอดภัยที่สำคัญสำหรับเครื่องมือ

คำเตือน: อ่านคำเตือนด้านความปลอดภัยและคำแนะนำทั้งหมด การไม่ปฏิบัติตามคำเตือนและคำแนะนำดังกล่าวอาจส่งผลให้ไฟฟ้าช็อต ไฟไหม้ และ/หรือได้รับบาดเจ็บสาหัสได้

เก็บรักษาคำเตือนและคำแนะนำทั้งหมดไว้เป็นข้อมูลอ้างอิงในอนาคต

วัตถุประสงค์ในการใช้งาน

- เครื่องมือนี้ใช้สำหรับตัดหญ้า วัชพืช พุ่มไม้ และต้นไม้ขนาดเล็กเท่านั้น ไม่ควรใช้เครื่องมือนี้เพื่อวัตถุประสงค์อื่น เช่น การตัดแต่งหรือตัดแนวต้นไม้ เนื่องจากอาจส่งผลให้ได้รับบาดเจ็บได้

คำแนะนำทั่วไป

- ห้ามให้บุคคลที่ไม่คุ้นเคยกับคำแนะนำเหล่านี้ บุคคล (รวมถึงเด็ก) ที่มีความบกพร่องทางร่างกาย ประสาทสัมผัส หรือทางจิตใจ หรือขาดประสบการณ์และความรู้ใช้เครื่องมือนี้ ควรดูแลเด็กอย่างใกล้ชิดเพื่อให้แน่ใจว่าเด็กจะไม่มาเล่นกับเครื่องมือนี้
- ก่อนเริ่มใช้งานเครื่องมือ โปรดอ่านคู่มือการใช้งานนี้ เพื่อให้คุ้นเคยกับการจัดการเครื่องมือ
- อย่าให้บุคคลที่ไม่มีประสบการณ์หรือความรู้ที่เพียงพอเกี่ยวกับการจัดการเครื่องตัดหญ้าและเครื่องตัดหญ้าสายเอ็นอย่างเพียงพอใช้เครื่องมือนี้
- หากให้ยืมเครื่องมือ ให้แนบคู่มือการใช้งานนี้ไปพร้อมกันด้วยเสมอ
- จัดการเครื่องมือด้วยความใส่ใจและระมัดระวังอย่างที่สุด
- ห้ามใช้เครื่องมือหลังจากดื่มเครื่องดื่มแอลกอฮอล์หรือยา หรือหากรู้สึกเหนื่อยล้าหรือป่วย
- ห้ามพยายามดัดแปลงเครื่องมือ

- ปฏิบัติตามข้อบังคับเกี่ยวกับการจัดการเครื่องตัดหญ้าและเครื่องตัดหญ้าสายเอ็นในประเทศของคุณ

อุปกรณ์ป้องกันส่วนบุคคล

▶ หมายเลข 1

- สวมหมวกนิรภัย แว่นนิรภัย และถุงมือป้องกันเพื่อป้องกันตัวเองจากเศษวัสดุกระเด็นหรือวัตถุที่ตกลงมา
- สวมอุปกรณ์ป้องกันหู เช่น ที่ครอบหู เพื่อป้องกันการสูญเสียการได้ยิน
- สวมเสื้อผ้าและรองเท้าที่เหมาะสมเพื่อการปฏิบัติงานอย่างปลอดภัย เช่น ชุดทำงานติดกัน และรองเท้าแข็งแรงที่มีพื้นกันลื่น อย่าสวมเครื่องแต่งกายที่รุ่มร่าม หรือสวมเครื่องประดับ เสื้อผ้าที่รุ่มร่าม เครื่องประดับ หรือผมที่มีความยาวอาจเข้าไปติดในชิ้นส่วนที่เคลื่อนที่
- เมื่อสัมผัสกับมีดตัด ให้สวมใส่ถุงมือป้องกัน ใบมีดตัดอาจตัดมือที่ไม่มีอุปกรณ์ป้องกันและทำให้ได้รับบาดเจ็บสาหัสได้

ความปลอดภัยของพื้นที่ทำงาน

- ใช้งานเครื่องมือภายใต้ทัศนวิสัยที่ดีและสภาวะที่มีแสงสว่างตอนกลางวันเท่านั้น อย่าใช้งานเครื่องมือในที่มืดหรือมีหมอก
- อย่าใช้งานเครื่องมือในสภาพที่อาจเกิดการระเบิด เช่น ในสถานที่ที่มีของเหลว ก๊าซ หรือฝุ่นผงที่มีคุณสมบัติไวไฟ เครื่องมือจะสร้างประกายไฟที่อาจเผาไหม้ฝุ่นหรือทำให้เกิดควัน
- ในระหว่างการใช้งาน ห้ามยืนบนพื้นที่ไม่มั่นคงหรือลื่น หรือทางลาดชัน ระหว่างฤดูหนาว ให้ระวังน้ำแข็งและหิมะ และตรวจสอบทำป็นให้มั่นคงเสมอ
- ในระหว่างการใช้งาน ดูแลให้ผู้ที่อยู่ใกล้เคียงหรือสัตว์อยู่ห่างจากเครื่องมืออย่างน้อย 15 m หยุดใช้เครื่องมือทันทีที่มีผู้เข้ามาใกล้
- ห้ามใช้งานเครื่องมือในขณะที่มีผู้คน โดยเฉพาะเด็กหรือสัตว์เลี้ยงอยู่ใกล้ๆ
- ก่อนทำงาน ให้ตรวจสอบพื้นที่ทำงานว่ามีหินหรือวัตถุของแข็งอื่นๆ หรือไม่ เนื่องจากวัตถุดังกล่าวอาจถูกเหวี่ยงออกหรือการตีกลับที่เป็นอันตราย และส่งผลให้ได้รับบาดเจ็บสาหัส และ/หรือทำให้ทรัพย์สินเสียหายได้

- ▲ คำเตือน: การใช้ผลิตภัณฑ์นี้อาจก่อให้เกิดฝุ่นผงที่มีสารเคมีซึ่งอาจส่งผลกระทบต่อระบบทางเดินหายใจหรือทำให้เกิดการเจ็บป่วยอื่น ๆ ได้ ตัวอย่างของสารเคมีเหล่านี้คือส่วนผสมที่พบได้ในยาฆ่าวัชพืช ยาฆ่าแมลง บัญ และยาฆ่าวัชพืช ความเสี่ยงจากการสัมผัสกับสารเคมีเหล่านี้จะแตกต่างกันไปขึ้นอยู่กับความถี่ในการทำงานประเภทนี้ เพื่อลดการสัมผัสกับสารเคมีเหล่านี้ ให้ทำงานในพื้นที่ที่มีการระบายอากาศที่ดีและใช้อุปกรณ์รักษาความปลอดภัยที่ได้รับอนุญาต เช่น หน้ากากป้องกันฝุ่นที่ได้รับการออกแบบมาเป็นพิเศษให้สามารถกรองอนุภาคที่มีขนาดเล็กมากๆ ได้
- ก่อนติดตั้งดัลล์แบดเตอร์ ให้ตรวจสอบเครื่องมือเพื่อดูว่ามีความเสียหาย สกรู/นอตหลวม หรือมีการประกอบที่ไม่เหมาะสมหรือไม่ ลับใบเลื่อยคัตเตอร์ที่ทื่อให้คม หากใบเลื่อยคัตเตอร์งอหรือชำรุด ให้เปลี่ยนใบเลื่อยใหม่ ตรวจสอบก้านควบคุมและสวิตช์ทั้งหมดเพื่อให้ทำงานได้สะดวก ทำความสะอาดมือจับและเช็ดให้แห้ง
- ห้ามพยายามเปิดสวิตช์เครื่องมือหากเครื่องมือมีความเสียหายหรือประกอบไม่สมบูรณ์ ไม่เช่นนั้นอาจส่งผลให้ได้รับบาดเจ็บสาหัสได้
- ปรับสายสะพายไหล่และด้ามจับให้เหมาะสมกับขนาดร่างกายของผู้ใช้งาน
- เมื่อทำการใส่ดัลล์แบดเตอร์ ให้ดูแลอุปกรณ์ตัดให้ห่างจากร่างกายของคุณและสิ่งของอื่นๆ รวมถึงพื้น เนื่องจากอุปกรณ์ตัดอาจหมุนเมื่อเริ่มทำงานและอาจทำให้คุณได้รับบาดเจ็บ หรือทำให้เครื่องมือและ/หรือทรัพย์สินเสียหายได้
- ถอดกุญแจปรับ ประแจ หรือฝาครอบใบเลื่อยออกก่อนเปิดเครื่องมือ อุปกรณ์เสริมที่ถูกต้องติดตั้งเข้ากับชิ้นส่วนหมุนของเครื่องมือทั้งไว้อาจส่งผลให้ได้รับบาดเจ็บได้
- เครื่องมือตัดมาพร้อมก้านที่ป้องกัน ห้ามใช้งานเครื่องมือซึ่งที่ป้องกันเสียหายหรือไม่มีที่ป้องกัน
- ตรวจสอบให้แน่ใจว่าไม่มีสายไฟ ท่อส่งน้ำ ท่อส่งก๊าซ และอื่นๆ ซึ่งอาจก่อให้เกิดอันตรายหากเสียหายเนื่องจากการใช้งานเครื่องมือนี้

ความปลอดภัยทางไฟฟ้าและแบตเตอรี่

- อย่าให้เครื่องมือโดนฝนหรืออยู่ในสภาวะที่เปียกชื้น น้ำที่เข้าไปในเครื่องมือจะเพิ่มความเสี่ยงในการเกิดไฟฟ้าช็อต
- อย่าใช้เครื่องมือหากสวิตช์ไม่สามารถเปิดปิดได้ เครื่องมือใดๆ ที่ไม่สามารถควบคุมได้ด้วยสวิตช์นั้นเป็นอันตรายและต้องได้รับการซ่อม
- ป้องกันไม่ให้มีการเริ่มใช้งานโดยไม่ตั้งใจ ตรวจสอบให้แน่ใจว่าสวิตช์อยู่ในตำแหน่งปิดก่อนติดตั้งชุดแบตเตอรี่ ยกหรือเคลื่อนย้ายเครื่องมือ การเคลื่อนย้ายเครื่องมือโดยที่นิ้วของคุณอยู่บนสวิตช์หรือการจ่ายไฟแก่เครื่องมือโดยที่สวิตช์เปิดอยู่จะทำให้เกิดอุบัติเหตุได้
- อย่ากำจัดแบตเตอรี่ในไฟ แบตเตอรี่อาจจะระเบิดได้ ตรวจสอบรหัสท้องถิ่นสำหรับคำแนะนำเกี่ยวกับการกำจัดทิ้งแบบพิเศษ
- อย่าเปิดหรือทำให้แบตเตอรี่เสียหาย อีเล็กโทรไลต์ที่ถูกปล่อยออกมามีคุณสมบัติกัดกร่อน และอาจทำลายดวงตาหรือผิวหนังได้ อาจเป็นพิษหากกลืนกินเข้าไป
- อย่าชาร์จแบตเตอรี่กลางหรือในสถานที่ที่เปียก
- หลีกเลี่ยงการใช้งานในสภาพแวดล้อมที่อันตราย ห้ามใช้เครื่องมือในพื้นที่เปียกชื้นหรือโดนเม็ดฝน น้ำที่เข้าไปในเครื่องมือจะเพิ่มความเสี่ยงในการเกิดไฟฟ้าช็อต
- ห้ามชาร์จไฟนอกบ้าน หรือกลางแจ้ง
- ห้ามจับอุปกรณ์ชาร์จรวมถึงปลั๊กเครื่องชาร์จและขั้วอุปกรณ์ชาร์จด้วยมือที่เปียก

การเตรียมใช้งาน

- ก่อนทำการประกอบหรือปรับเครื่องมือ ให้ถอดดัลล์แบดเตอร์ออก
- ก่อนใช้ใบเลื่อยคัตเตอร์ ให้สวมถุงมือป้องกัน

- ก่อนติดตั้งดัลล์แบดเตอร์ ให้ตรวจสอบเครื่องมือเพื่อดูว่ามีความเสียหาย สกรู/นอตหลวม หรือมีการประกอบที่ไม่เหมาะสมหรือไม่ ลับใบเลื่อยคัตเตอร์ที่ทื่อให้คม หากใบเลื่อยคัตเตอร์งอหรือชำรุด ให้เปลี่ยนใบเลื่อยใหม่ ตรวจสอบก้านควบคุมและสวิตช์ทั้งหมดเพื่อให้ทำงานได้สะดวก ทำความสะอาดมือจับและเช็ดให้แห้ง
- ห้ามพยายามเปิดสวิตช์เครื่องมือหากเครื่องมือมีความเสียหายหรือประกอบไม่สมบูรณ์ ไม่เช่นนั้นอาจส่งผลให้ได้รับบาดเจ็บสาหัสได้
- ปรับสายสะพายไหล่และด้ามจับให้เหมาะสมกับขนาดร่างกายของผู้ใช้งาน
- เมื่อทำการใส่ดัลล์แบดเตอร์ ให้ดูแลอุปกรณ์ตัดให้ห่างจากร่างกายของคุณและสิ่งของอื่นๆ รวมถึงพื้น เนื่องจากอุปกรณ์ตัดอาจหมุนเมื่อเริ่มทำงานและอาจทำให้คุณได้รับบาดเจ็บ หรือทำให้เครื่องมือและ/หรือทรัพย์สินเสียหายได้
- ถอดกุญแจปรับ ประแจ หรือฝาครอบใบเลื่อยออกก่อนเปิดเครื่องมือ อุปกรณ์เสริมที่ถูกต้องติดตั้งเข้ากับชิ้นส่วนหมุนของเครื่องมือทั้งไว้อาจส่งผลให้ได้รับบาดเจ็บได้
- เครื่องมือตัดมาพร้อมก้านที่ป้องกัน ห้ามใช้งานเครื่องมือซึ่งที่ป้องกันเสียหายหรือไม่มีที่ป้องกัน
- ตรวจสอบให้แน่ใจว่าไม่มีสายไฟ ท่อส่งน้ำ ท่อส่งก๊าซ และอื่นๆ ซึ่งอาจก่อให้เกิดอันตรายหากเสียหายเนื่องจากการใช้งานเครื่องมือนี้

การใช้งาน

- ในกรณีฉุกเฉิน ให้ปิดสวิตช์เครื่องมือทันที
- หากคุณรู้สึกได้ถึงสภาวะที่ผิดปกติ (เช่น เสียงดัง รบกวน, แรงสั่นสะเทือน) ในระหว่างการใช้งาน ให้ปิดสวิตช์เครื่องมือและถอดดัลล์แบดเตอร์ออก อย่าใช้เครื่องมือนี้จนกว่าจะพบสาเหตุและดำเนินการแก้ไขแล้ว
- อุปกรณ์ตัดจะยังคงหมุนต่อเป็นเวลานับวินาที หลังจากปิดเครื่องมือแล้ว อย่ารีบสัมผัสกับอุปกรณ์ตัด
- ระหว่างการทำงาน ให้ใช้สายสะพายไหล่ จับเครื่องมือให้อยู่ทางด้านขวาของคุณให้แน่น
- อย่าทำงานในระยะที่สูดเอื้อม รักษาทำยีนและการทรงตัวที่เหมาะสมเสมอ มองสิ่งกีดขวางที่ซ่อนอยู่ อย่างเช่น ตอไม้ รากไม้ และร่องน้ำ เพื่อหลีกเลี่ยงการสะดุด
- รักษาทำยีนบนทางลาดให้เหมาะสมเสมอ
- โปรดเดิน ห้ามวิ่ง

8. ห้ามทำงานบนบันไดหรือต้นไม้เพื่อหลีกเลี่ยงการสูญเสียการควบคุม
9. หากเครื่องมือถูกกระแทกอย่างรุนแรงหรือตกหล่น ให้ตรวจสอบสภาพของเครื่องมือก่อนทำงานต่อ ตรวจสอบความผิดปกติของส่วนควบคุมและอุปกรณ์ด้านความปลอดภัยต่างๆ หากมีความเสียหายหรือข้อสงสัยใดๆ โปรดสอบถามศูนย์บริการที่ผ่านการรับรองของเราเพื่อรับการตรวจสอบและซ่อมแซม
10. หยุดพักเพื่อป้องกันการสูญเสียการควบคุมเนื่องจากความเหนื่อยล้า ขอแนะนำให้หยุดพัก 10 ถึง 20 นาทีในทุกๆ ชั่วโมง
11. เมื่อคุณละออกจากเครื่องมือ แม้ว่าจะเป็นเวลาสั้นๆ ให้ถอดดัลบีแบตเตอรี่ออกเสมอ เครื่องมือที่ถูกปล่อยทิ้งไว้โดยที่มีดัลบีแบตเตอรี่ติดตั้งไว้อย่างถูกใช้โดยบุคคลที่ไม่ได้รับอนุญาตและทำให้เกิดอุบัติเหตุร้ายแรงได้
12. หากหญ้าหรือกิ่งไม้เข้าไปติดระหว่างอุปกรณ์ตัดและที่ป้องกัน ให้ปิดเครื่องมือและถอดดัลบีแบตเตอรี่ออกก่อนทำความสะอาดเสมอ ไม่เช่นนั้น อุปกรณ์ตัดอาจหมุนโดยไม่ตั้งใจและส่งผลให้ได้รับบาดเจ็บสาหัสได้
13. ห้ามสัมผัสชิ้นส่วนเคลื่อนที่ที่เป็นอันตรายก่อนชิ้นส่วนดังกล่าวหยุดสนิทและถอดดัลบีแบตเตอรี่ออกแล้ว
14. หากอุปกรณ์กระแทกกับหินหรือวัตถุของแข็งอื่นๆ ให้ปิดเครื่องมือทันที จากนั้นให้ถอดดัลบีแบตเตอรี่ออกและทำการตรวจสอบอุปกรณ์ตัด
15. ตรวจสอบอุปกรณ์ตัดเป็นประจำในระหว่างการทำงาน เพื่อดูว่ามีรอยร้าวหรือความเสียหายหรือไม่ ก่อนการตรวจสอบ ให้ถอดดัลบีแบตเตอรี่ออกและรอนจนกระทั่งอุปกรณ์ตัดหยุดสนิทแล้ว เปลี่ยนอุปกรณ์ตัดทันทีแม้ว่าจะมีรอยร้าวเพียงเล็กน้อยเท่านั้น
16. ห้ามตัดที่ระดับความสูงเหนือเอว
17. ก่อนเริ่มทำงานตัด ให้รอนจนกระทั่งอุปกรณ์ตัดทำงานที่ระดับความเร็วคงที่หลังจากเปิดเครื่องมือแล้ว
18. เมื่อใช้ใบมีดตัด ให้เคลื่อนเครื่องมือเป็นรูปครึ่งวงกลมจากขวาไปซ้ายเรื่อยๆ กัน เหมือนกับการใช้เคียว
19. จับเครื่องมือที่พื้นผิวมือจับหมุนวนเท่านั้น เนื่องจากใบเลื่อยคัตเตอร์อาจสัมผัสกับสายไฟที่ซ่อนอยู่ ใบเลื่อยคัตเตอร์ที่สัมผัสกับสายไฟที่ “มีกระแสไฟฟ้าไหลผ่าน” อาจทำให้ชิ้นส่วนโลหะของเครื่องมือ “มีกระแสไฟฟ้าไหลผ่าน” และทำให้ผู้ใช้งานถูกไฟช็อตได้
20. อย่าเริ่มใช้งานเครื่องมือเมื่อมีหญ้าเข้าไปติดในเครื่องมือตัด

21. ก่อนเริ่มใช้งานเครื่องมือ ตรวจสอบให้แน่ใจว่าเครื่องมือตัดไม่ได้สัมผัสอยู่กับพื้นหรือสิ่งกีดขวางอื่นๆ เช่น ต้นไม้
22. ในระหว่างการทำงาน ให้จับเครื่องมือไว้ด้วยมือทั้งสองข้างเสมอ ห้ามจับเครื่องมือด้วยมือข้างเดียวในระหว่างการใช้งาน
23. อย่าใช้งานเครื่องมือในสภาพอากาศที่เลวร้าย หรือมีความเสี่ยงที่จะเกิดฟ้าผ่า

เครื่องมือตัด

1. อย่าใช้เครื่องมือตัดซึ่งเราไม่ได้แนะนำ
2. ใช้อุปกรณ์ตัดที่สามารถใช้ได้กับงานที่ต้องการทำ
 - หัวตัดไนลอน (หัวเครื่องตัดหญ้าสายเอ็น) และใบเลื่อยพลาสติกเหมาะสำหรับการตัดแต่งหญ้าในสนาม
 - ใบมีดตัดเหมาะสมสำหรับการตัดวัชพืช หญ้าที่ต้นสูง พุ่มไม้ ต้นไม้พุ่ม ต้นไม้ขนาดเล็ก พงไม้ และที่คล้ายกันนี้
 - ห้ามใช้ใบมีดอื่น รวมถึงโซ่หมุนที่ประกอบด้วยโลหะหลายชิ้น และใบมีดแบบแกว่งหมุนในแนวตั้ง เนื่องจากอาจทำให้ได้รับบาดเจ็บสาหัสได้
3. ใช้เฉพาะเครื่องมือตัดที่มีเครื่องหมายแสดงความเร็วที่เท่ากับหรือสูงกว่าความเร็วของเครื่องหมายบนเครื่องมือ
4. ดูแลให้มือ ใบหน้า และเสื้อผ้าของคุณอยู่ห่างจากเครื่องมือตัดเสมอในขณะที่เครื่องมือหมุนอยู่ ไม่เช่นนั้น อาจส่งผลให้ได้รับบาดเจ็บสาหัสได้
5. ใช้ที่ป้องกันอุปกรณ์ตัดที่เหมาะสมซึ่งเหมาะกับอุปกรณ์ตัดที่ใช้อยู่เสมอ
6. เมื่อใช้ใบมีดตัด หลีกเลี่ยงการตีกลับและเตรียมพร้อมสำหรับการตีกลับโดยไม่ได้ตั้งใจเสมอ ดูที่ส่วนการตีกลับ
7. เมื่อไม่ได้ใช้งาน ให้ตัดตัดฟารอบใบมีดไว้บนใบมีดถอดฟารอบออกก่อนใช้งาน

การตีกลับ (การผลักของใบมีด)

1. การตีกลับ (การผลักของใบมีด) คือปฏิกิริยาฉับพลันที่เกิดขึ้นเมื่อใบมีดตัดติดหรือถูกบีบรัด เมื่อเกิดการตีกลับ เครื่องมือจะถูกเหวี่ยงไปด้านข้างหรือเข้าหาผู้ใช้งานอย่างรุนแรงซึ่งอาจทำให้ผู้ใช้งานได้รับบาดเจ็บสาหัสได้
2. การตีกลับจะเกิดขึ้นโดยเฉพาะอย่างยิ่งเมื่อใช้ส่วนของใบมีดระหว่าง 12 และ 2 นาฬิกาของวงแหวน พุ่มไม้และต้นไม้ที่มีขนาดเส้นผ่านศูนย์กลาง 3 cm ขึ้นไป

► หมายเลข 2

3. การหลีกเลี่ยงการติดกลับ:
 1. ใช้ส่วนของใบมีดระหว่าง 8 และ 11 นาฬิกา
 2. ห้ามใช้ส่วนระหว่าง 12 และ 2 นาฬิกา
 3. ห้ามใช้ส่วนระหว่าง 11 และ 12 นาฬิกา และระหว่าง 2 และ 5 นาฬิกา ยกเว้นผู้ใช้งานที่ได้รับการอบรมมาเป็นอย่างดีและมีประสบการณ์ รวมถึงผู้ที่สามารถรับความเสี่ยงด้วยตนเองได้
 4. ห้ามใช้ใบมีดติดใกล้กับของแข็ง เช่น รั้ว กำแพง ลาดันของต้นไม้ และหิน
 5. ห้ามใช้ใบมีดตัดในแนวตั้ง เช่น การตัดแต่งและเล็มแนวพุ่มไม้

► หมายเลข 3

แรงสั่นสะเทือน

1. ผู้ที่มีระบบไหลเวียนโลหิตไม่ดีที่รับสัมผัสกับแรงสั่นสะเทือนเป็นเวลานานอาจได้รับบาดเจ็บที่หลอดเลือดหรือระบบประสาทได้ แรงสั่นสะเทือนอาจทำให้เกิดอาการดังต่อไปนี้ที่นิ้ว มือ หรือข้อมือได้ "การผอยหลัง" (อาการชา), อาการเป็นเหน็บ, การเจ็บปวด, ความรู้สึกเจ็บแปลบ, สิวเปลี่ยน หรือผิวหนังเปลี่ยนแปลง หากมีอาการใดๆ ดังกล่าวเกิดขึ้น ให้ไปพบแพทย์!
2. เพื่อลดความเสี่ยงจาก "โรคนิ้วมือซีดขาว" ให้ดูแลมือของคุณให้อบอุ่นอยู่เสมอในระหว่างการทำงาน และบำรุงรักษาเครื่องมือและอุปกรณ์เสริมให้อยู่ในสภาพดี

การเคลื่อนย้าย

1. ก่อนเคลื่อนย้ายเครื่องมือ ให้ปิดเครื่องแล้วถอดปลั๊กแบตเตอรี่ออก ติดตั้งฝาครอบเข้ากับใบมีดตัด
2. เมื่อเคลื่อนย้ายเครื่องมือ ให้ถือในตำแหน่งแนวนอนโดยจับที่ก้าน
3. เมื่อเคลื่อนย้ายเครื่องมือในยานพาหนะ ให้ยึดเครื่องมือให้เหมาะสมเพื่อหลีกเลี่ยงการพลิกคว่ำ ไม่เช่นนั้นเครื่องมืออาจเสียหายและอาจทำให้สมรรถนะอื่นๆ เสียหายได้

การบำรุงรักษา

1. นำเครื่องมือไปเข้ารับการซ่อมที่ศูนย์บริการที่ได้รับการรับรองของเรา และใช้อะไหล่ทดแทนของแท้ของการซ่อมที่ไม่ถูกต้องและการบำรุงรักษาที่ไม่เหมาะสมจะทำให้อายุการใช้งานของเครื่องมือสั้นลง และเพิ่มความเสี่ยงที่จะเกิดอุบัติเหตุได้
2. ก่อนดำเนินการบำรุงรักษาใดๆ หรือทำการซ่อม หรือทำความสะอาดเครื่องมือ ให้ปิดเครื่องและถอดปลั๊กแบตเตอรี่ออกเสมอ

3. สวมใส่ถุงมือป้องกันเมื่อจัดการกับใบมีดตัดเสมอ
4. ทำความสะอาดฝุ่นและสิ่งสกปรกออกจากเครื่องมือเป็นประจำ ห้ามใช้แก๊สโซลีน น้ำมันเบนซิน ทินเนอร์ แอลกอฮอล์ หรือสิ่งที่คล้ายกันนี้เพื่อทำความสะอาด เนื่องจากอาจส่งผลให้เกิดการเปลี่ยนสี เปลี่ยนรูป หรือรอยร้าวบนชิ้นส่วนพลาสติก
5. หลีกเลี่ยงใช้แต่ละครั้ง ให้ขนสกรูและน็อตทั้งหมดให้แน่น
6. อย่าพยายามทำการบำรุงรักษาหรือทำการซ่อมเครื่องมือซึ่งไม่มีคำอธิบายในคู่มือการใช้งาน สอบถามศูนย์บริการที่ได้รับการรับรองของเราหากต้องการทำการบำรุงรักษาหรือทำการซ่อมดังกล่าว
7. ใช้อะไหล่และอุปกรณ์เสริมของแท้ของเราเท่านั้นทุกครั้งที่ การใช้อะไหล่หรืออุปกรณ์เสริมของยี่ห้ออื่นอาจส่งผลให้เครื่องมือเสียหาย สร้างความเสียหายให้ทรัพย์สิน และ/หรือทำให้ได้รับบาดเจ็บได้
8. โปรดให้ศูนย์บริการที่ได้รับการรับรองของเราทำการตรวจสอบและบำรุงรักษาเครื่องมือเป็นระยะๆ
9. ดูแลให้เครื่องมืออยู่ในสภาพการทำงานที่ดีเสมอ การบำรุงรักษาที่ไม่เหมาะสมอาจส่งผลให้ประสิทธิภาพในการทำงานลดลงและทำให้อายุการใช้งานของเครื่องมือสั้นลงได้

การเก็บรักษา

1. ก่อนจัดเก็บเครื่องมือ ให้ทำความสะอาดและบำรุงรักษาอย่างถี่ถ้วน ถอดปลั๊กแบตเตอรี่ ติดตั้งฝาครอบเข้ากับใบมีดตัด
2. จัดเก็บเครื่องมือในที่แห้งและสูงหรือมีการปิดล็อกเพื่อไม่ให้พ้นจากมือเด็ก
3. อย่าวางอุปกรณ์พียงกับสิ่งอื่น เช่น ผนัง ไม่เช่นนั้นอุปกรณ์อาจร่วงหล่นลงมาทันทีและทำให้ได้รับบาดเจ็บได้

การปฐมพยาบาล

1. เตรียมชุดปฐมพยาบาลไว้ใกล้ๆ เสมอ นำสิ่งที่ถูกนำออกจากชุดปฐมพยาบาลมาเดิมทันที
2. เมื่อต้องการขอความช่วยเหลือ ให้บอกข้อมูลดังต่อไปนี้:
 - สถานที่เกิดอุบัติเหตุ
 - สิ่งที่เกิดขึ้น
 - จำนวนผู้ได้รับบาดเจ็บ
 - ลักษณะการบาดเจ็บ
 - ชื่อของคุณ

ปฏิบัติตามคำแนะนำเหล่านี้

คำเตือน: อย่าให้ความไม่ระมัดระวังหรือความคุ้นเคยกับผลิตภัณฑ์ (จากการใช้งานซ้ำหลายครั้ง) อยู่เหนือการปฏิบัติตามกฎเกณฑ์ด้านความปลอดภัยในการใช้งานผลิตภัณฑ์อย่างเคร่งครัด การใช้งานอย่างไม่เหมาะสมหรือการไม่ปฏิบัติตามกฎเกณฑ์ด้านความปลอดภัยในคู่มือการใช้งานนี้อาจทำให้ได้รับบาดเจ็บร้ายแรง

คำแนะนำเพื่อความปลอดภัยที่สำคัญสำหรับดัลล์แบตเตอรี่

- ก่อนใช้งานดัลล์แบตเตอรี่ให้อ่านคำแนะนำและเครื่องหมายเตือนทั้งหมดบน (1) เครื่องชาร์จแบตเตอรี่ (2) แบตเตอรี่ และ (3) ตัวผลิตภัณฑ์ที่ใช้แบตเตอรี่
- อย่าถอดแยกชิ้นส่วนหรือทำการดัดแปลงดัลล์แบตเตอรี่ เนื่องจากอาจทำให้เกิดไฟไหม้ ความร้อนที่สูงเกินไป หรือระเบิดได้
- หากระยะเวลาที่เครื่องทำงานสั้นเกินไป ให้หยุดใช้งานทันที เนื่องจากอาจมีความเสี่ยงที่จะร้อนจัดไหม้หรือระเบิดได้
- หากสารละลายอิเล็กโทรไลต์กระเด็นเข้าตา ให้ล้างออกด้วยน้ำเปล่าและรีบไปพบแพทย์ทันที เนื่องจากอาจทำให้ตาบอด
- ห้ามลัดวงจรดัลล์แบตเตอรี่:
 - ห้ามแตะขั้วกับวัตถุที่เป็นสื่อนำไฟฟ้าใดๆ
 - หลีกเลี่ยงการเก็บดัลล์แบตเตอรี่ไว้ในภาชนะร่วมกับวัตถุที่เป็นโลหะ เช่น กรรไกรตัดเล็บ เหรียญ ฯลฯ
 - อย่าให้ดัลล์แบตเตอรี่ถูกน้ำหรือฝน แบตเตอรี่ลัดวงจรอาจทำให้เกิดการไหลของกระแสไฟฟ้า ร้อนจัดไหม้หรือเสียหายได้
- ห้ามเก็บและใช้เครื่องมือและดัลล์แบตเตอรี่ไว้ในสถานที่ที่มีอุณหภูมิสูงถึงหรือเกิน 50 °C (122 °F)
- ห้ามเผาดัลล์แบตเตอรี่ทิ้ง แม้ว่าแบตเตอรี่จะเสียหายจนใช้การไม่ได้หรือเสื่อมสภาพแล้ว ดัลล์แบตเตอรี่อาจจะระเบิดในกองไฟ
- อย่าดองตะปู ตัด บด ข้าง หรือทำดัลล์แบตเตอรี่หล่นพื้น หรือกระแทกดัลล์แบตเตอรี่กับวัตถุของแข็ง การกระทำดังกล่าวอาจส่งผลให้เกิดไฟไหม้ ความร้อนที่สูงเกินไป หรือระเบิดได้
- ห้ามใช้แบตเตอรี่ที่เสียหาย

- แบตเตอรี่ลิเทียมไอออนที่มีมาให้เป็นไปตามข้อกำหนดของ Dangerous Goods Legislation สำหรับการขนส่งเพื่อการพาณิชย์ เช่น โดยบุคคลที่สาม ตัวแทนขนส่งสินค้า จะต้องตรวจสอบข้อกำหนดพิเศษในด้านการบรรจุหีบห่อหรือการติดป้ายสินค้าในการเตรียมสินค้าที่จะขนส่ง ให้ปรึกษาผู้เชี่ยวชาญด้านวัตถุอันตราย โปรดตรวจสอบข้อกำหนดในประเทศที่อาจมีรายละเอียดอื่น ๆ เพิ่มเติม ให้ติดเทปหรือปิดหน้าสัมผัสและห่อแบตเตอรี่ในลักษณะที่แบตเตอรี่จะไม่เคลื่อนที่ไปมาในหีบห่อ
- เมื่อกำจัดดัลล์แบตเตอรี่ ให้ถอดดัลล์แบตเตอรี่ออกจากเครื่องมือและกำจัดในสถานที่ที่ปลอดภัย ปฏิบัติตามข้อบังคับในท้องถิ่นที่เกี่ยวกับการกำจัดแบตเตอรี่
- ใช้แบตเตอรี่กับผลิตภัณฑ์ที่ระบุโดย Makita เท่านั้น การติดตั้งแบตเตอรี่ในผลิตภัณฑ์ที่ไม่ใช่ตามที่ระบุอาจทำให้เกิดไฟไหม้ ความร้อนสูง ระเบิด หรืออิเล็กทรอนิกส์ที่ไวต่อความร้อนได้
- หากไม่ใช่เครื่องมือเป็นระยะเวลานาน จะต้องถอดแบตเตอรี่ออกจากเครื่องมือ
- ในระหว่างและหลังการใช้งาน ดัลล์แบตเตอรี่อาจร้อนซึ่งอาจลวกผิวหรือทำให้ผิวไหม้ที่อุณหภูมิต่ำได้ โปรดระมัดระวังในการจัดการกับแบตเตอรี่ที่ร้อน
- อย่าสัมผัสขั้วของเครื่องมือทันทีหลังจากการใช้งาน เนื่องจากอาจมีความร้อนพอที่จะทำให้ผิวไหม้ได้
- อย่าปล่อยให้เศษวัสดุ ฝุ่นผง หรือดินเข้าไปติดอยู่ในขั้ว รู และร่องของดัลล์แบตเตอรี่ เนื่องจากอาจทำให้เกิดความร้อน ไฟไหม้ ระเบิด และทำให้เครื่องมือหรือดัลล์แบตเตอรี่ทำงานผิดปกติ ส่งผลให้โดนลวกหรือเกิดการบาดเจ็บได้
- หากเครื่องมือไม่รองรับสายไฟแรงดันสูง อย่าใช้ดัลล์แบตเตอรี่ใกล้กับสายไฟแรงดันสูง เนื่องจากเครื่องมือหรือดัลล์แบตเตอรี่อาจทำงานผิดปกติหรือเสียหายได้
- เก็บแบตเตอรี่ให้ห่างจากเด็ก

ปฏิบัติตามคำแนะนำเหล่านี้

ข้อควรระวัง: ใช้แบตเตอรี่ของแท้จาก Makita เท่านั้น การใช้แบตเตอรี่ Makita ที่ไม่แท้ หรือแบตเตอรี่ที่ถูกเปลี่ยน อาจทำให้แบตเตอรี่ระเบิด ก่อให้เกิดเพลิงลุกไหม้ การบาดเจ็บ และความเสียหายได้ และจะทำให้การรับประกันของ Makita สำหรับเครื่องมือและแท่นชาร์จของ Makita เป็นโมฆะด้วย

เคล็ดลับในการรักษาอายุการใช้งานของ

แบตเตอรี่ให้ยาวนานที่สุด

1. ชาร์จตัวแบตเตอรี่ก่อนที่ไฟจะหมด หยุดการใช้งานแล้วชาร์จประจุไฟฟ้าใหม่ทุกครั้งเมื่อคุณรู้สึกว่าคุณประณณ์มีกำลังลดลง
2. อย่าชาร์จตัวแบตเตอรี่ที่มีไฟเต็มแล้ว การชาร์จประจุไฟฟ้ามากเกินไปบ่อยๆจะทำให้อายุการใช้งานของตัวแบตเตอรี่สั้นลง

3. ชาร์จประจุไฟฟ้าตัวแบตเตอรี่ในห้องที่มีอุณหภูมิระหว่าง 10 °C - 40 °C ปล่อยให้ตัวแบตเตอรี่เย็นลงก่อนที่จะชาร์จไฟ
4. เมื่อไม่ใช้ตัวแบตเตอรี่ ให้ถอดออกจากเครื่องมือหรือเครื่องชาร์จ
5. ชาร์จไฟตัวแบตเตอรี่หากคุณไม่ต้องการใช้เป็นเวลานาน (เกินกว่าหกเดือน)

คำอธิบายชิ้นส่วนต่างๆ

► หมายเลข 4

1	ตัวแบตเตอรี่	2	ก้านเปลี่ยนความเร็ว	3	สวิตช์ใช้งาน	4	ปุ่มล็อก
5	ที่ป้องกันเครื่องถอยหลัง	6	อุปกรณ์ป้องกัน	7	มือจับแบบห่วง	8	ที่แขวน
9	สายสะพายไหล่	-	-	-	-	-	-

การประกอบ

⚠ คำเตือน: ตรวจสอบให้แน่ใจว่าได้ปิดสวิตช์เครื่องมือและถอดตัวแบตเตอรี่ออกก่อนดำเนินการใดๆ กับเครื่องมือ การไม่ปิดเครื่องมือและถอดตัวแบตเตอรี่ออกอาจจะเป็นสาเหตุของการบาดเจ็บเนื่องจากการเริ่มทำงานโดยบังเอิญได้

⚠ คำเตือน: ห้ามเริ่มทำงานเครื่องมือหากยังไม่ได้ประกอบเครื่องอย่างสมบูรณ์ การทำงานของเครื่องมือที่อยู่ในสถานะที่ประกอบเพียงบางส่วนอาจทำให้เกิดการบาดเจ็บร้ายแรงเนื่องจากการเริ่มทำงานโดยบังเอิญได้

การติดตั้งที่ป้องกันเครื่องถอยหลัง

ติดตั้งที่ป้องกันเครื่องถอยหลังเข้ากับมือจับแบบห่วงโดยใช้สกรูบนที่ป้องกันเครื่องถอยหลัง

- หมายเลข 5: 1. ที่ป้องกันเครื่องถอยหลัง 2. สกรู

⚠ ข้อควรระวัง: หลังจากประกอบที่ป้องกันเครื่องถอยหลังแล้ว อย่าถอดออก ที่ป้องกันเครื่องถอยหลังจะทำงานเหมือนชิ้นส่วนป้องกันเพื่อป้องกันคุณจากการสัมผัสกับใบมีดตัดโดยไม่ตั้งใจ

การติดตั้งอุปกรณ์ป้องกัน

⚠ คำเตือน: ห้ามใช้เครื่องมือโดยไม่มีที่ป้องกันอยู่ในตำแหน่งตามรูป มิฉะนั้น อาจทำให้ได้รับบาดเจ็บรุนแรง

⚠ ข้อควรระวัง: ระวังอย่าทำให้ตัวเองบาดเจ็บด้วยคัตเตอร์ในการตัดเส้นในลอน

ติดตั้งอุปกรณ์ป้องกันกับที่หนีบโดยใช้สลักเกลียว

- หมายเลข 6: 1. ที่หนีบ 2. สลักเกลียว 3. อุปกรณ์ป้องกัน

หลังติดตั้งอุปกรณ์ป้องกัน ให้ถอดฝาครอบหัวตัดออกจากหัวตัด

- หมายเลข 7: 1. หัวตัด 2. ฝาครอบหัวตัด

ก่อนติดตั้งเครื่องมือตัด ให้ถอดน็อต เบ้า และปลอกยึดออกจากแกนหมุนโดยหมุนน็อตตามเข็มนาฬิกาโดยใช้ประแจหัวบ็อกซ์ในขณะที่กดปุ่มล็อกแกนหมุนค้างไว้

- หมายเลข 8: 1. น็อต 2. เบ้า 3. ปลอกยึด 4. แกนหมุน 5. ปุ่มล็อกแกนหมุน

การติดตั้งเครื่องมือตัด

หมายเหตุ: ประเภทของเครื่องมือตัดที่มีมาให้เป็นอุปกรณ์เสริมมาตรฐานจะแตกต่างกันไปตามแต่ละประเทศ ในบางประเทศจะไม่มีเครื่องมือตัดมาให้

หมายเหตุ: หายเครื่องมือขึ้นเพื่อให้คุณสามารถเปลี่ยนเครื่องมือตัดได้ง่าย

ใบเลื่อยคัตเตอร์

⚠ ข้อควรระวัง: เมื่อจัดการกับใบเลื่อยคัตเตอร์ ให้สวมใส่ถุงมือและใส่ผ้าครอบใบเลื่อยไว้บนใบเลื่อยเสมอ

⚠ ข้อควรระวัง: ใบเลื่อยคัตเตอร์จะต้องถูกขัดอย่างดี และจะต้องไม่มีรอยร้าวหรือแตกหัก หากใบเลื่อยคัตเตอร์กระแทกกับหินในระหว่างการทำงาน ให้หยุดเครื่องมือ และตรวจสอบใบเลื่อยคัตเตอร์ทันที

⚠ ข้อควรระวัง: ใช้ใบเลื่อยคัตเตอร์ที่มีเส้นผ่านศูนย์กลางตามที่ระบุไว้ในส่วนข้อมูลจำเพาะเสมอ

- ▶ **หมายเลข 9:** 1. น็อต 2. เบ้า 3. ปลอกยึด 4. ใบเลื่อยคัตเตอร์ 5. แกนหมุน 6. ที่ป้องกัน 7. ปุ่มล็อกแกนหมุน

1. ติดตั้งที่ป้องกันลงบนปลอกยึดโดยให้ลูกศรบนใบเลื่อยคัตเตอร์และอุปกรณ์ป้องกันชี้ไปในทิศทางเดียวกัน

▶ **หมายเลข 10:** 1. ลูกศร

2. ใส่ปลอกยึดและเบ้าเข้ากับใบเลื่อยคัตเตอร์

3. ขณะกดปุ่มล็อกแกนหมุนค้างไว้ ชันน็อตให้แน่นด้วยประแจแหวน

▶ **หมายเลข 11:** 1. ปุ่มล็อกแกนหมุน 2. ประแจแหวน 3. คลาย 4. ชันแน่น

เมื่อต้องการถอดใบเลื่อยคัตเตอร์ออก ให้คลายน็อตระหว่างที่กดปุ่มล็อกแกนหมุนค้างไว้

หัวตัดไนลอน

ข้อสังเกต: ตรวจสอบให้แน่ใจว่าใช้หัวตัดไนลอน Makita ของแท้

ขณะที่กดปุ่มล็อกแกนหมุนค้างไว้ ให้วางหัวตัดไนลอนลงบนแกนหมุนและขันให้แน่นด้วยมือ

▶ **หมายเลข 12:** 1. หัวตัดไนลอน 2. แกนหมุน 3. ปุ่มล็อกแกนหมุน 4. คลาย 5. ชันแน่น

เมื่อต้องการถอดหัวตัดไนลอนออก ให้คลายหัวตัดไนลอน ขณะที่กดปุ่มล็อกแกนหมุนค้างไว้

ใบเลื่อยพลาสติก

ข้อสังเกต: ตรวจสอบให้แน่ใจว่าใช้ใบเลื่อยพลาสติก Makita ของแท้

ขณะที่กดปุ่มล็อกแกนหมุนค้างไว้ ให้วางใบเลื่อยพลาสติกลงบนแกนหมุนและขันให้แน่นด้วยมือ

▶ **หมายเลข 13:** 1. ใบเลื่อยพลาสติก 2. แกนหมุน 3. ปุ่มล็อกแกนหมุน 4. คลาย 5. ชันแน่น

เมื่อต้องการถอดใบเลื่อยพลาสติกออก ให้คลายใบเลื่อยพลาสติกขณะที่กดปุ่มล็อกแกนหมุนค้างไว้

หมายเหตุ: คุณยังสามารถใช้ประแจหกเหลี่ยมที่มีมาให้เพื่อติดตั้ง/ถอดเครื่องมือตัดได้ด้วย สอดประแจหกเหลี่ยมเข้าในรูตามที่แสดงในภาพเพื่อล็อกแกนหมุน

▶ **หมายเลข 14:** 1. ประแจหกเหลี่ยม 2. รู

⚠ ข้อควรระวัง: ใช้ประแจที่ห้ามในการติดตั้ง/ถอดเครื่องมือตัด

⚠ ข้อควรระวัง: ตรวจสอบให้แน่ใจว่าได้ถอดประแจหกเหลี่ยมที่สอดเข้าไปในหัวเครื่องมือออกแล้วหลังจากติดตั้งเครื่องมือตัด

การเก็บประแจหกเหลี่ยม

⚠ ข้อควรระวัง: ระวังอย่าเสียบประแจหกเหลี่ยมเข้ากับหัวเครื่องมือทิ้งไว้ เนื่องจากอาจทำให้ได้รับบาดเจ็บและ/หรือเครื่องมือเสียหายได้

เมื่อไม่ใช้งาน ให้เก็บประแจหกเหลี่ยมตามที่แสดงในภาพเพื่อไม่ให้สูญหาย

▶ **หมายเลข 15:** 1. มือจับแบบห่วง 2. ประแจหกเหลี่ยม

คำอธิบายการทำงาน

⚠ คำเตือน: ตรวจสอบให้แน่ใจว่าได้ปิดสวิตช์เครื่องมือและถอดดัลต์แบตเตอรี่ออกก่อนปรับตั้งหรือตรวจสอบการทำงานของเครื่องมือ การไม่ปิดเครื่องมือและถอดดัลต์แบตเตอรี่ออกอาจจะเป็นสาเหตุของการบาดเจ็บเนื่องจากการเริ่มทำงานโดยบังเอิญได้

การใส่หรือการถอดด้ามแบตเตอรี่

⚠ ข้อควรระวัง: ปิดสวิตช์เครื่องมือก่อนทำการติดตั้งหรือการถอดด้ามแบตเตอรี่ทุกครั้ง

⚠ ข้อควรระวัง: ถือเครื่องมือและด้ามแบตเตอรี่ให้แน่นในระหว่างการติดตั้งหรือการถอดด้ามแบตเตอรี่ หากไม่ถือเครื่องมือและด้ามแบตเตอรี่ให้แน่น อาจทำให้ด้ามแบตเตอรี่และเครื่องมือสั่นหลุดมือ และทำให้เครื่องมือและด้ามแบตเตอรี่เสียหายหรือได้รับบาดเจ็บได้

▶ **หมายเลข 16:** 1. ซิลลีแดง 2. ปุ่ม 3. ด้ามแบตเตอรี่

เมื่อต้องการถอดด้ามแบตเตอรี่ ให้เลื่อนปุ่มที่ด้านหน้าของด้ามแล้วดึงออกจากเครื่องมือ

การติดตั้งด้ามแบตเตอรี่ ให้จัดตำแหน่งลิ้นของด้ามแบตเตอรี่ให้ตรงกับร่องของเครื่อง แล้วเลื่อนเข้าที่ สีสลับแบตเตอรี่เข้าจนสุดจนกระทั่งได้ยินเสียงคลิกล็อกเข้าที่ หากยังเห็นซิลลีแดงตามที่แสดงในภาพ แสดงว่าด้ามแบตเตอรี่ยังไม่ล็อกเข้าที่

⚠ ข้อควรระวัง: ให้ดันด้ามแบตเตอรี่เข้าจนสุดจนไม่เห็นซิลลีแดงอีก ไม่เช่นนั้น ด้ามแบตเตอรี่อาจหลุดออกจากเครื่องมือทำให้คุณหรือคนรอบข้างได้รับบาดเจ็บ

⚠ ข้อควรระวัง: อย่าฝืนติดตั้งด้ามแบตเตอรี่โดยใช้แรงมากเกินไป หากด้ามแบตเตอรี่ไม่เลื่อนเข้าไปโดยง่าย แสดงว่าใส่ไม่ถูกต้อง

ระบบป้องกันเครื่องมือ/แบตเตอรี่

เครื่องมือนี้จะมีระบบป้องกันเครื่องมือ/แบตเตอรี่ ระบบนี้จะตัดไฟที่ส่งไปยังมอเตอร์โดยอัตโนมัติเพื่อหยุดการใช้งานเครื่องมือและแบตเตอรี่ เครื่องมือจะหยุดทำงานระหว่างการใช้งานโดยอัตโนมัติ หากเครื่องมือหรือแบตเตอรี่อยู่ภายใต้สถานการณ์ต่อไปนี้:

▶ **หมายเลข 17:** 1. ไฟแสดงสถานะ

การป้องกันโอเวอร์โหลด

หากเครื่องมืออยู่ในสถานการณ์ต่อไปนี้ เครื่องมือจะหยุดทำงานโดยอัตโนมัติ และไฟแสดงสถานะจะสว่างขึ้น:

- เครื่องมือทำงานหนักเกินไปเนื่องจากมีวัชพืชหรือเศษอื่นๆ เข้าไปติด
- เครื่องมือตุดถูกล็อก

ในสถานการณ์นี้ ให้ปล่อยสวิตช์สั่งงาน แล้วนำวัชพืชหรือเศษอื่นๆ ออกจากจำเป็น หลังจากนั้น ให้กดสวิตช์สั่งงานอีกครั้งเพื่อเริ่มใช้งานใหม่

⚠ ข้อควรระวัง: หากคุณต้องการนำวัชพืชที่ติดอยู่บนเครื่องมือออกหรือปล่อยเครื่องมือตัดที่ลือคอยู่ ตรวจสอบให้แน่ใจว่าได้ปิดเครื่องมือแล้วก่อนเริ่มดำเนินการ

การป้องกันความร้อนสูงเกิน

เมื่อแบตเตอรี่เกิดความร้อนสูงเกินไป เครื่องมือจะหยุดทำงานโดยอัตโนมัติและไฟแสดงสถานะจะสว่างขึ้น ในกรณีนี้ ปล่อยให้เครื่องมือและแบตเตอรี่เย็นลงก่อนจะเปิดเครื่องมืออีกครั้ง

การป้องกันไฟหมด

เมื่อความจุแบตเตอรี่ไม่เพียงพอ ไฟแสดงสถานะจะกะพริบในกรณีนี้ ให้ถอดแบตเตอรี่ออกจากเครื่องมือและชาร์จด้ามแบตเตอรี่ หรือเปลี่ยนด้ามแบตเตอรี่เป็นก้อนที่ชาร์จเต็มแล้ว

หมายเหตุ: เมื่อความจุแบตเตอรี่หมด เครื่องมือจะหยุดทำงานและไฟแสดงสถานะจะสว่างขึ้น

การป้องกันจากสาเหตุอื่นๆ

ระบบป้องกันได้รับการออกแบบมาเพื่อสาเหตุอื่นๆ ที่อาจสร้างความเสียหายต่อเครื่องมือและทำให้เครื่องมือหยุดทำงานโดยอัตโนมัติ ดำเนินการตามขั้นตอนดังต่อไปนี้ทุกขั้นตอนเพื่อจำกัดสาเหตุออกไป เมื่อเครื่องมือหยุดทำงานชั่วคราวหรือหยุดทำงาน

1. ปิดเครื่องมือ แล้วเปิดใหม่เพื่อเริ่มใช้งานอีกครั้ง
2. ชาร์จหรือเปลี่ยนแบตเตอรี่โดยนำแบตเตอรี่ที่ชาร์จแล้วมาใช้แทน
3. ปล่อยให้เครื่องมือและแบตเตอรี่เย็นลง

หากอาการไม่ดีขึ้นเมื่อเปิดระบบป้องกันอีกครั้ง ให้ติดต่อศูนย์บริการ Makita ใกล้บ้านคุณ

















ข้อสังเกต: หากเครื่องมือหยุดทำงานเนื่องจากสาเหตุที่ไม่ได้อธิบายไว้ข้างต้น โปรดดูส่วนการแก้ไขปัญหา

การระบุระดับพลังงานแบตเตอรี่ที่เหลืออยู่

สำหรับด้ามแบตเตอรี่ที่มีตัวแสดงสถานะเท่านั้น

▶ **หมายเลข 18:** 1. ไฟแสดงสถานะ 2. ปุ่มตรวจสอบ

กดปุ่ม ตรวจสอบ บนด้ามแบตเตอรี่เพื่อดูปริมาณแบตเตอรี่ที่เหลือ ไฟแสดงสถานะจะสว่างขึ้นเป็นเวลาสามวินาที

ไฟแสดงสถานะ			แบตเตอรี่ที่ เหลือ
			
			75% ถึง 100%
			50% ถึง 75%
			25% ถึง 50%
			0% ถึง 25%
			ชาร์จไฟ แบตเตอรี่
	 	 	แบตเตอรี่อาจ จะเสีย

หมายเหตุ: ขึ้นอยู่กับสภาพการใช้งานและอุณหภูมิ โดยรอบ การแสดงสถานะอาจจะแตกต่างจากปริมาณแบตเตอรี่จริงเล็กน้อย

หมายเหตุ: ไฟแสดงสถานะดวงแรก (ซ้ายสุด) จะกะพริบเมื่อระบบป้องกันแบตเตอรี่ทำงาน

การทำงานของสวิตช์

คำเตือน: ก่อนใส่ตลับแบตเตอรี่ลงในเครื่องมือ ให้ตรวจสอบว่าสวิตช์สั่งงานสามารถทำงานได้อย่างถูกต้อง และกลับไปยังตำแหน่ง "ปิด" เมื่อปล่อย

คำเตือน: เพื่อความปลอดภัยของคุณ เครื่องมือนี้มีปุ่มปลดล๊อคติดตั้งมาด้วยซึ่งจะช่วยป้องกันไม่ให้เครื่องมือสตาร์ทโดยไม่ได้ตั้งใจ ห้ามใช้เครื่องมือหากเครื่องมือสามารถทำงานได้เมื่อคุณดึงสวิตช์สั่งงานโดยไม่ได้กดปุ่มปลดล๊อค สอบถามศูนย์บริการ Makita ในท้องถิ่นให้ทำการซ่อมแซมให้

คำเตือน: ห้ามปิดการทำงานแบบล๊อคหรือติดเทปทับปุ่มปลดล๊อค

ข้อสังเกต: อย่างดีสวิตช์สั่งงานแรงๆ โดยไม่ได้กดปุ่มปลดล๊อค สวิตช์อาจแตกได้

▶ **หมายเลข 19:** 1. ปุ่มล๊อค 2. สวิตช์สั่งงาน

เพื่อป้องกันไม่ให้สวิตช์สั่งงานถูกกดโดยไม่ได้ตั้งใจมีปุ่มล๊อคติดตั้งไว้

เพื่อเริ่มใช้งานเครื่องมือ กดปุ่มปลดล๊อคแล้วดึงสวิตช์สั่งงาน ปล่อยสวิตช์สั่งงานเพื่อหยุดทำงาน ปุ่มปลดล๊อคสามารถกดจากทางขวาหรือซ้ายก็ได้

การปรับความเร็ว

คุณสามารถเลือกความเร็วเครื่องมือได้โดยการเลื่อนก้านเปลี่ยนความเร็ว เมื่อต้องการเลือกความเร็วสูง ให้เลื่อนก้านสวิตช์ความเร็วไปด้านหน้า เมื่อต้องการเลือกความเร็วต่ำ ให้เลื่อนก้านสวิตช์ความเร็วไปด้านหลัง

▶ **หมายเลข 20:** (1) ความเร็วต่ำ (2) ความเร็วสูง (3) ก้านเปลี่ยนความเร็ว

เบรกไฟฟ้า

เครื่องมือนี้มีเบรกไฟฟ้า หากเครื่องมือไม่สามารถหยุดทำงานได้อย่างรวดเร็วอย่างต่อเนื่องหลังจากปล่อยสวิตช์สั่งงาน ให้นำเครื่องมือไปรับการซ่อมที่ศูนย์บริการของเรา

คำเตือน: ระบบเบรกนี้ไม่ได้มีไว้เพื่อแทนอุปกรณ์ป้องกัน ห้ามใช้เครื่องมือโดยไม่มีอุปกรณ์ป้องกัน เครื่องมือตัดที่ไม่ม้อุปกรณ์ป้องกันอาจส่งผลได้รับบาดเจ็บสาหัส

การใช้งาน

การใส่สายสะพายไหล่

คำเตือน: ใช้สายสะพายไหล่ที่ติดตั้งไว้กับเครื่องมือเสมอ ก่อนใช้งาน ให้ปรับสายสะพายไหล่ตามขนาดร่างกายของผู้ใช้เพื่อป้องกันความเมื่อยล้า

คำเตือน: ก่อนใช้งาน ตรวจสอบให้แน่ใจว่าสายสะพายไหล่ถูกติดตั้งเข้ากับที่แขวนเครื่องมืออย่างเหมาะสมแล้ว

คำเตือน: เมื่อคุณใช้เครื่องมือร่วมกับแหล่งจ่ายไฟแบบสะพายหลัง เช่น ชุดต้นกำลังแบบพกพา อย่าใช้สายสะพายที่รวมอยู่ในชุดเครื่องมือ แต่ให้ใช้สายแขวนที่ Makita แนะนำ

หากคุณใช้สายสะพายไหล่ที่แนบในชุดเครื่องมือและสายสะพายไหล่ของแหล่งจ่ายไฟแบบสะพายหลังพร้อมกัน การถอดเครื่องมือหรือแหล่งจ่ายไฟแบบสะพายหลังจะทำได้ยากในกรณีฉุกเฉิน และอาจก่อให้เกิดอุบัติเหตุหรือการบาดเจ็บ สำหรับสายแขวนที่แนะนำ ให้สอบถามศูนย์บริการที่ได้รับการรับรองจาก Makita

เชื่อมต่อขอกี่ของสายสะพายไหล่เข้ากับที่แขวน และสวมสายสะพายไหล่ ตรวจสอบให้แน่ใจว่ายึดเครื่องมือด้วยสายสะพายไหล่อย่างแน่นหนาแล้ว

▶ **หมายเลข 21:** 1. ขอกี่ตัว 2. ที่แขวน

สายสะพายไหล่มีคุณสมบัติที่ปลดออกได้อย่างรวดเร็ว บีบด้านข้างของหัวเข็มขัดขณะจับเครื่องมือเพื่อปลดเครื่องมือจากสายสะพายไหล่

▶ หมายเลข 22: 1. หัวเข็มขัด

การจัดการเครื่องมือที่ถูกต้อง

คำเตือน: วางตำแหน่งเครื่องมือไว้ทางด้านขวามือของคุณเสมอ การวางตำแหน่งเครื่องมืออย่างถูกต้องทำให้สามารถควบคุมได้อย่างเต็มที่และจะลดความเสี่ยงในการบาดเจ็บร้ายแรงที่เกิดจากการติดกลับ

คำเตือน: โปรดระมัดระวังอย่างมากในการรักษาการควบคุมเครื่องมือตลอดเวลา อย่าให้เครื่องมือเบนเข้าหาตัวหรือคนอื่นในบริเวณที่ทำงาน การไม่สามารถควบคุมเครื่องมือได้จะทำให้เกิดการบาดเจ็บร้ายแรงต่อผู้ที่อยู่ข้างเคียงและผู้ปฏิบัติงาน

คำเตือน: หากมีผู้ปฏิบัติงานสองคนหรือมากกว่านั้นปฏิบัติงานในพื้นที่เดียวกัน ให้เว้นระยะห่างระหว่างผู้ปฏิบัติงานแต่ละคนมากกว่า 15 เมตร (50 ฟุต) เพื่อหลีกเลี่ยงอุบัติเหตุที่อาจเกิดขึ้น นอกจากนี้ ให้จัดเจ้าหน้าที่เพื่อคอยสังเกตระยะห่างระหว่างผู้ปฏิบัติงาน หากมีคนหรือสัตว์เข้าไปในพื้นที่ปฏิบัติงาน ให้หยุดการทำงานทันที

ข้อควรระวัง: หากเครื่องมือตัดกระแทกกับหินหรือวัตถุของแข็งโดยไม่ได้ตั้งใจในระหว่างการทำงาน ให้หยุดเครื่องมือและตรวจสอบหาความเสียหาย หากเครื่องมือตัดเสียหาย ให้เปลี่ยนใหม่ทันที การใช้เครื่องมือตัดที่เสียหายอาจส่งผลให้ได้รับบาดเจ็บสาหัสได้

ข้อควรระวัง: ถอดฝาครอบใบเลื่อยออกจากใบเลื่อยคัตเตอร์เมื่อทำการตัดหญ้า

ตำแหน่งและการจัดการที่ถูกต้องจะทำให้ควบคุมได้อย่างเหมาะสมและลดความเสี่ยงที่จะได้รับบาดเจ็บจากการติดกลับ

▶ หมายเลข 23

เมื่อใช้หัวตัดในลอน (ประเภทกระแทกแล้วป้อน)

หัวตัดในลอนเป็นหัวของเครื่องตัดหญ้าสายเอ็นแบบสายคู่ที่มาพร้อมกับกลไกการกระแทกและการป้อน เมื่อต้องการป้อนเส้นในลอนออกมา ให้กดหัวตัดเข้ากับพื้นขณะกำลังหมุน

▶ หมายเลข 24: 1. บริเวณการตัดที่มีประสิทธิภาพที่สุด

ข้อสังเกต: การป้อนโดยการกระแทกจะทำงานได้ไม่เหมาะสมหากหัวตัดในลอนไม่หมุน

หมายเหตุ: หากสายในลอนไม่ป้อนออกในขณะที่ยกส่วนหัว ให้พับเปลี่ยนสายในลอนใหม่โดยทำตามขั้นตอนต่อไปนี้ในส่วนการบำรุงรักษา

การบำรุงรักษา

คำเตือน: ตรวจสอบให้แน่ใจว่าได้ปิดสวิตช์เครื่องมือและถอดปลั๊กแบตเตอรี่ออกก่อนทำการตรวจสอบหรือบำรุงรักษาบนเครื่องมือ การไม่ปิดเครื่องมือและถอดปลั๊กแบตเตอรี่ออกอาจจะเป็นสาเหตุของการบาดเจ็บเนื่องจากการเริ่มทำงานโดยบังเอิญได้

ข้อสังเกต: อย่าใช้น้ำมันเชื้อเพลิง เบนซิน ทินเนอร์ แอลกอฮอล์ หรือวัสดุประเภทเดียวกัน เนื่องจากอาจทำให้ลื่นหรือลื่นไถล

เพื่อความปลอดภัยและนำเชื้อถือของผลิตภัณฑ์ ควรให้ศูนย์บริการหรือโรงงานที่ผ่านการรับรองจาก Makita เป็นผู้ดำเนินการซ่อมแซม บำรุงรักษาและทำการปรับตั้งอื่นๆ นอกจากนี้ ให้ใช้อะไหล่ของแท้จาก Makita เสมอ

การเปลี่ยนเส้นในลอน

คำเตือน: ใช้เฉพาะสายในลอนที่มีเส้นผ่านศูนย์กลางที่ระบุในคู่มือการใช้งานนี้ ห้ามใช้สายที่หนักกว่า สายโลหะ และเชือก หรือสิ่งทีคล้ายกันนี้ ไม่เช่นนั้นอาจทำให้เครื่องมือเสียหายและส่งผลให้ได้รับบาดเจ็บได้

คำเตือน: ถอดหัวตัดในลอนออกจากเครื่องมือเมื่อเปลี่ยนสายในลอนเสมอ

คำเตือน: ตรวจสอบให้แน่ใจว่าฝาครอบหัวตัดในลอนถูกยึดเข้ากับตัวเครื่องมืออย่างเหมาะสมตามที่ระบุในคู่มือการใช้งานนี้ หากไม่ยึดฝาครอบให้เหมาะสมอาจทำให้หัวตัดในลอนกระเด็นออกซึ่งอาจส่งผลให้ได้รับบาดเจ็บสาหัสได้

เปลี่ยนสายในลอนหากไม่มีการป้อน วิธีการเปลี่ยนสายในลอนจะแตกต่างกันไปตามประเภทของหัวตัดในลอน

95-M10L

▶ หมายเลข 25: (1) สูงสุด 4 m (2) 80 mm
(3) 100 mm

96-M10L

▶ หมายเลข 26: (1) สูงสุด 4 m (2) 100 mm

การเปลี่ยนใบเลื่อยพลาสติก

เปลี่ยนใบเลื่อยพลาสติกหากใบเลื่อยเสื่อมสภาพหรือแตกหัก
เมื่อทำการติดตั้งใบเลื่อยพลาสติก ให้จัดตำแหน่งทิศทาง
ของลูกศรบนใบเลื่อยให้ตรงกับตัวป้องกัน

- ▶ หมายเลข 27: 1. ลูกศรบนตัวป้องกัน
- ▶ หมายเลข 28
- ▶ หมายเลข 29: 1. ลูกศรบนใบเลื่อย

การลับใบมีดโลหะ

⚠ ข้อควรระวัง: ก่อนลับใบมีดโลหะ ตรวจสอบให้แน่ใจ
ว่าปัดสวิตช์เครื่องมือและถอดด้ามแบตเตอรี่ออกจาก
เครื่องมือแล้ว

ข้อสังเกต: หากใบมีดโลหะผิดรูปร่างมากจากการลับ
ใบมีด ให้เปลี่ยนใบมีดโลหะใบใหม่

ข้อสังเกต: เมื่อคุณลับใบมีดโดยใช้เครื่องมืออย่างเช่น
เครื่องลับ อย่าฝืนลูกกลิ้งกับใบมีดเพื่อให้ใบมีดไม่ร้อน หาก
ใบมีดร้อน อย่าทำให้ใบมีดเย็นด้วยน้ำ

ลับใบมีดโลหะหากใบมีดไม่คม ลับใบมีดโลหะตามการ
แนะนำที่แสดงในภาพ ลับฟันใบมีดทั้ง 8 ซี่ในทิศทาง
เดียวกัน

- ▶ หมายเลข 30: (1) 10 mm (2) 2 mm หรือมากกว่า
(3) ทรงกลม

การแก้ไขปัญหา

ก่อนนำไปซ่อม ให้ทำการตรวจสอบด้วยตัวเองก่อน หากพบปัญหาที่ไม่มีอธิบายในคู่มือการใช้งาน อย่าพยายามถอดแยกเครื่องมือ แต่ให้นำไปซ่อมที่ศูนย์บริการหรือโรงงานที่ผ่านการรับรองจาก Makita และใช้ชิ้นส่วนอะไหล่ของ Makita

สภาวะความผิดปกติ	สาเหตุที่เป็นไปได้ (การทำงานผิดปกติ)	การแก้ไข
มอเตอร์ไม่ทำงาน	ไม่ได้ติดตั้งถลับแบตเตอรี่	ติดตั้งถลับแบตเตอรี่
	ปัญหาแบตเตอรี่ (ไฟต่ำ)	ชาร์จแบตเตอรี่ใหม่ หากการชาร์จแบตเตอรี่ใหม่ไม่ได้ผล ให้เปลี่ยนแบตเตอรี่
	ระบบขับเคลื่อนไม่ทำงานอย่างถูกต้อง	สอบถามศูนย์บริการที่ผ่านการรับรองจาก Makita ในท้องถิ่นให้ทำการซ่อมแซมให้
มอเตอร์หยุดทำงานหลังจากใช้งานไปได้เล็กน้อย	ระดับการชาร์จของแบตเตอรี่ต่ำ	ชาร์จแบตเตอรี่ใหม่ หากการชาร์จแบตเตอรี่ใหม่ไม่ได้ผล ให้เปลี่ยนแบตเตอรี่
	ความร้อนสูงเกิน	หยุดใช้งานเครื่องมือเพื่อให้เครื่องมือเย็นลง
เครื่องมือหมุนด้วยรอบความเร็วสูงสุดไม่ได้	แบตเตอรี่ติดตั้งอย่างไม่ถูกต้อง	ติดตั้งถลับแบตเตอรี่ตามที่อธิบายในคู่มือการใช้งานนี้
	กำลังของแบตเตอรี่ต่ำลง	ชาร์จแบตเตอรี่ใหม่ หากการชาร์จแบตเตอรี่ใหม่ไม่ได้ผล ให้เปลี่ยนแบตเตอรี่
	ระบบขับเคลื่อนไม่ทำงานอย่างถูกต้อง	สอบถามศูนย์บริการที่ผ่านการรับรองจาก Makita ในท้องถิ่นให้ทำการซ่อมแซมให้
เครื่องมือตัดไม่หมุน ⇒ หยุดเครื่องมือทันที!	วัตถุแปลกปลอม เช่น กิ่งไม้ ติดอยู่ระหว่างที่ป้องกันและเครื่องมือตัด	เอาสิ่งแปลกปลอมออก
	ระบบขับเคลื่อนไม่ทำงานอย่างถูกต้อง	สอบถามศูนย์บริการที่ผ่านการรับรองจาก Makita ในท้องถิ่นให้ทำการซ่อมแซมให้
การสั่นสะเทือนผิดปกติ ⇒ หยุดเครื่องมือทันที!	ปลายด้านหนึ่งของเส้นในลอนหัก	กดหัวตัดในลอนเข้ากับพื้นขณะที่กำลังหมุนเพื่อให้ป้อนเส้นในลอน
	ระบบขับเคลื่อนไม่ทำงานอย่างถูกต้อง	สอบถามศูนย์บริการที่ผ่านการรับรองจาก Makita ในท้องถิ่นให้ทำการซ่อมแซมให้
เครื่องมือตัดและมอเตอร์ไม่หยุดทำงาน ⇒ ถอดแบตเตอรี่ทันที!	ชิ้นส่วนไฟฟ้าหรืออิเล็กทรอนิกส์ทำงานผิดปกติ	ถอดแบตเตอรี่และสอบถามศูนย์บริการที่ผ่านการรับรองจาก Makita ในท้องถิ่นให้ทำการซ่อมแซมให้

อุปกรณ์เสริม

คำเตือน: ใช้เฉพาะอุปกรณ์เสริมหรืออุปกรณ์ต่อพ่วงที่แนะนำซึ่งระบุไว้ในคู่มือนี้ การใช้อุปกรณ์เสริมหรืออุปกรณ์ต่อพ่วงอื่นๆ อาจส่งผลให้ได้รับบาดเจ็บสาหัสได้

ข้อควรระวัง: ขอแนะนำให้ใช้เฉพาะอุปกรณ์เสริมหรืออุปกรณ์ต่อพ่วงเหล่านี้กับเครื่องมือ Makita ที่ระบุในคู่มือการใช้อุปกรณ์เสริมหรืออุปกรณ์ต่อพ่วงอื่นๆ อาจมีความเสี่ยงที่จะได้รับบาดเจ็บ ใช้อุปกรณ์เสริมหรืออุปกรณ์ต่อพ่วงตามวัตถุประสงค์ที่ระบุไว้เท่านั้น

หากต้องการทราบรายละเอียดเพิ่มเติมเกี่ยวกับอุปกรณ์เสริมเหล่านี้ โปรดสอบถามศูนย์บริการ Makita ใกล้บ้านคุณ

- ใบเลื่อยคัตเตอร์
- หัวตัดไนลอน
- เส้นไนลอน (เส้นดัด)
- ใบเลื่อยพลาสติก
- แบตเตอรี่และเครื่องชาร์จ Makita ของแท้

หมายเหตุ: อุปกรณ์บางรายการอาจจะรวมอยู่ในชุดเครื่องมือเป็นอุปกรณ์มาตรฐาน ซึ่งอาจแตกต่างกันไปในแต่ละประเทศ

Makita Corporation
3-11-8, Sumiyoshi-cho,
Anjo, Aichi 446-8502 Japan
www.makita.com

885962-378
EN, ZHCN, ID, MS,
VI, TH
20211124