



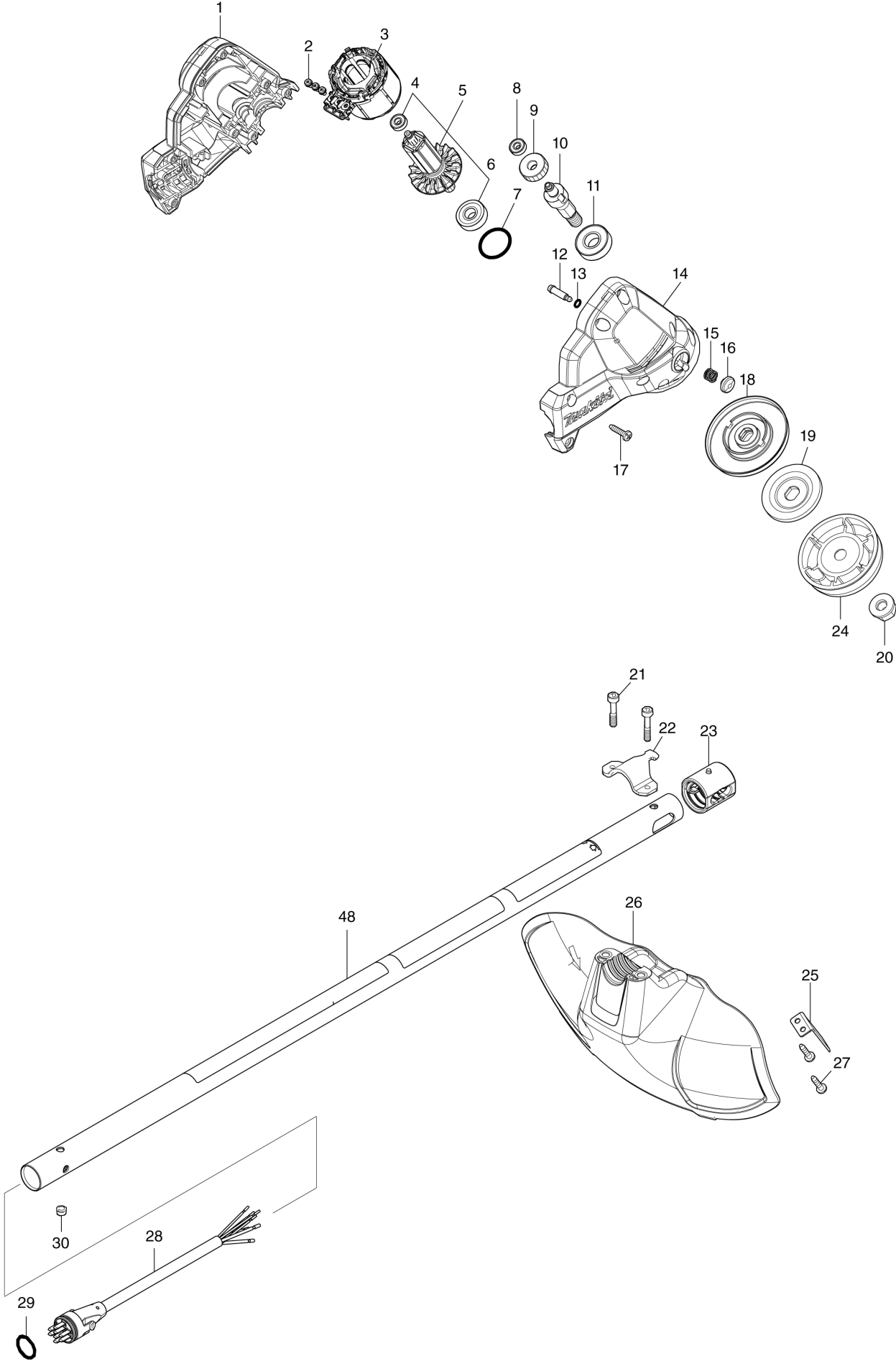
VN	VIETNAM
----	---------

Diagram / Parts List

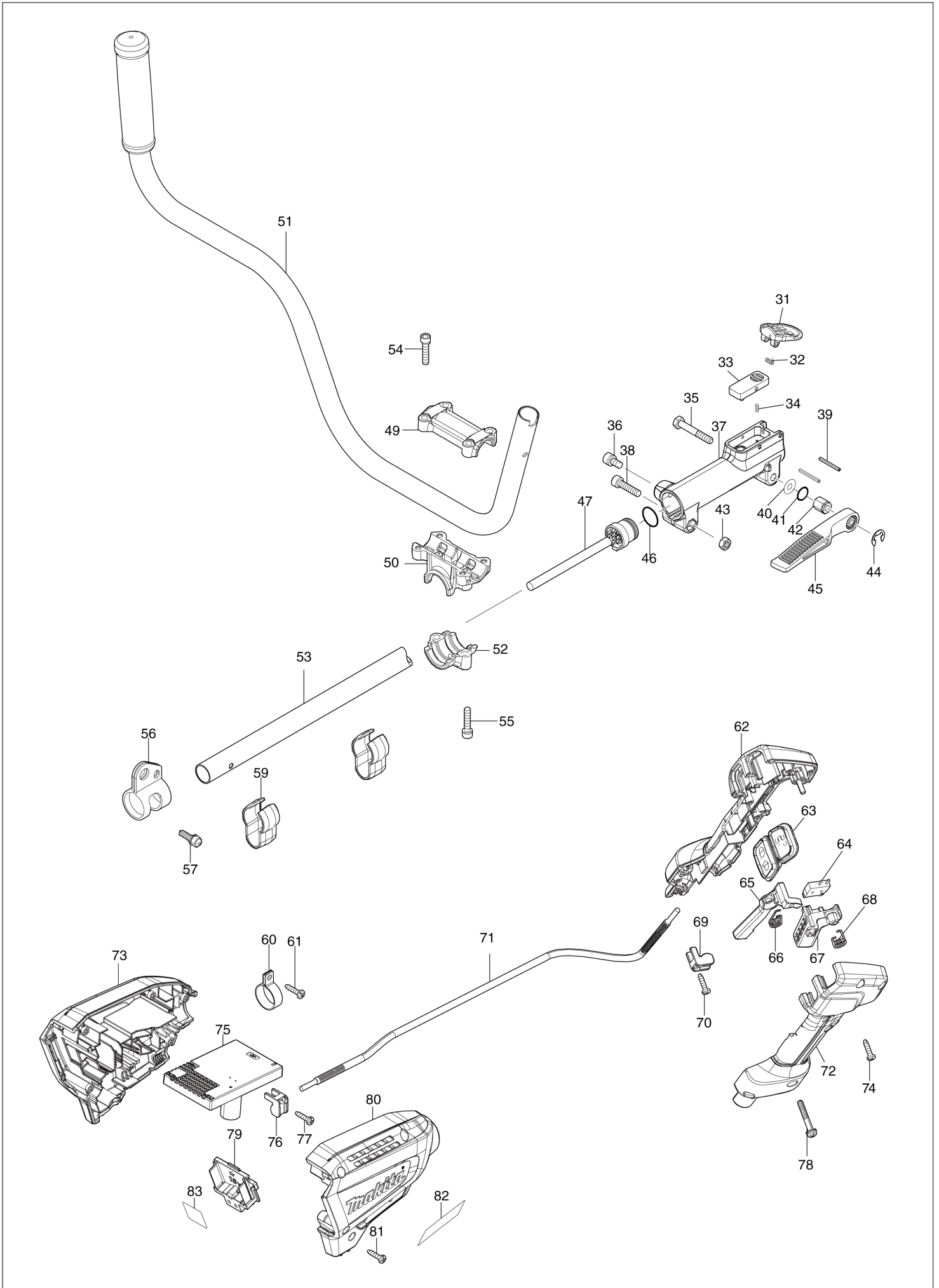
DUR191U

CORDLESS GRASS TRIMMER

(VN) DUR191U / CORDLESS GRASS TRIMMER



(VN) DUR191U / CORDLESS GRASS TRIMMER



VN	VIETNAM
-----------	----------------

DUR191U / CORDLESS GRASS TRIMMER

Item	Sub	Parts No.	Parts Description	Qty	I/C	E/C No.	Close No.	Remark
001		183P06-0	MOTOR HOUSING SET	1				
	D10		INC. 14					
002		652069-6	FLAT HEAD SCREW M3X6	3				
003		629248-1	STATOR	1				
004		210215-3	BALL BEARING 695ZZ	1				
005		510449-1	ROTOR ASS'Y	1				
	D10		INC. 4,6					
006		210049-4	BALL BEARING 609ZZ	1				
007		213380-7	O RING 24	1				
008		210215-3	BALL BEARING 695ZZ	1				
009		221492-2	HELICAL GEAR 26	1				
010		327542-2	CUTTER SHAFT	1				
011		211131-2	BALL BEARING 6001DDW	1				
012		256546-6	SHOULDER PIN 4	1				
013		213021-5	O RING 5	1				
014		183P06-0	MOTOR HOUSING SET	1				
	D10		INC. 1					
015		233072-2	COMPRESSION SPRING 8	1				
016		412408-0	PIN CAP	1				
017		266326-2	TAPPING SCREW 4X18	8				
018		140T23-7	RECEIVE WASHER COMPLETE	1				
019		347668-4	CLAMP WASHER	1				
020		264025-0	HEX. NUT M10-17	1				
021		251513-6	H.S.H.BOLT M5X25	2				
022		347667-6	PROTECTOR CLAMP	1				
023		424567-8	RUBBER SLEEVE 24	1				
024		168526-9	CUP	1				
025		346855-2	CUTTER	1				
026		412392-9	PROTECTOR	1				
027		266326-2	TAPPING SCREW 4X18	2				
028		699088-1	POWER SUPPLY CORD UNIT	1				
029		213275-4	O RING 18	1				
030		326880-9	STOPPER PIN B	1				
031		454304-6	JOINT COVER	1				
032		233604-5	TORSION SPRING 3	1				
033		454303-8	LOCK LEVER	1				
034		233211-4	COMPRESSION SPRING 2	1				
035		265596-0	HEX.BOLT M6X40	1				
036		922311-2	HEX. SOCKET HEAD BOLT M6X12	1				
037		319531-1	JOINT 24 B	1				
038		922342-1	HEX. SOCKET HEAD BOLT M6X25	1				
039		258010-3	SPRING PIN 2.5-25	2				
040		253332-6	THIN WASHER 6	1				
041		213105-9	O RING 11	1				
042		252159-1	HEX. NUT M6	1				
043		931302-2	HEX. NUT M6	1				
044		961014-3	STOP RING E-8	1				
045		272268-0	LEVER 94	1				
046		213275-4	O RING 18	1				
047		699087-3	POWER SUPPLY CORD UNIT	1				
048		140T22-9	PIPE COMPLETE A	1				
	C10	819N87-3	CAUTION LABEL	1				
	C20	819312-8	MAKITA LOGO LABEL	1				
049		318272-6	HANDLE HOLDER 1	1				
050		319705-4	HANDLE HOLDER	1				
051		144374-0	HANDLE COMPLETE	1				
052		319703-8	PIPE CLAMP	1				
053		327547-2	PIPE B	1				
054		922241-7	HEX. SOCKET HEAD BOLT M5X25	4				
055		922241-7	HEX. SOCKET HEAD BOLT M5X25	2				
056		347116-3	HANGER	1				
057		922212-4	HEX. SOCKET HEAD BOLT M5X12	1				
059		457458-8	CLAMP	2				
060		346248-3	CLAMP 24	1				
061		266326-2	TAPPING SCREW 4X18	1				

B:DUR191URT1(H)

Interchange
 O : Yes
 X : No
 < : the new part can be substituted for the current.
 > : the current part can be substituted for the new.
 S : Interchangeable as a set.

VN	VIETNAM
-----------	----------------

DUR191U / CORDLESS GRASS TRIMMER

Item	Sub	Parts No.	Parts Description	Qty	I/C	E/C No.	Close No.	Remark
062		183N99-5	GRIP SET	1				
	C10	252180-0	HEX. LOCK NUT M5-8	1				
	D10		INC. 72					
063		140T18-0	SUB CONTROLLER COMPLETE	1				
	C10	8010M7-8	SWITCH LABEL	1				
	C20	8010M8-6	INDICATION LABEL	1				
064		632E40-6	SWITCH UNIT	1				
065		455629-1	LOCK OFF LEVER	1				
066		233621-5	TORSION SPRING 9	1				
067		455816-2	SWITCH LEVER	1				
068		233612-6	TORSION SPRING 10	1				
069		687260-7	STRAIN RELIEF	1				
070		266326-2	TAPPING SCREW 4X18	1				
071		699148-9	POWER SUPPLY CORD UNIT	1				
072		183N99-5	GRIP SET	1				
	C10	252180-0	HEX. LOCK NUT M5-8	1				
	D10		INC. 62					
073		183P07-8	HOUSING SET	1			D8239	
	C10	263005-3	RUBBER PIN 6	2			D8239	
	D10		INC. 80				D8239	
073-1		183T27-6	HOUSING SET	1	<	D8239		
	C10	263005-3	RUBBER PIN 6	2		D8239		
	C20	422749-6	RUBBER SHEET	1		D8239		
	D10		INC. 80			D8239		
074		266326-2	TAPPING SCREW 4X18	5				
075		620C56-1	CONTROLLER	1			DA866	
075-1		620F98-3	CONTROLLER	1	<	DA866		
076		687260-7	STRAIN RELIEF	1				
077		266326-2	TAPPING SCREW 4X18	1				
078		911258-5	PAN HEAD SCREW M5X35	1				
079		644809-6	TERMINAL	1				
080		183P07-8	HOUSING SET	1			D8239	
	C10	263005-3	RUBBER PIN 6	2			D8239	
	D10		INC. 73				D8239	
080-1		183T27-6	HOUSING SET	1	<	D8239		
	C10	263005-3	RUBBER PIN 6	2		D8239		
	C20	422749-6	RUBBER SHEET	1		D8239		
	D10		INC. 73			D8239		
081		266326-2	TAPPING SCREW 4X18	6				
082		857D15-0	DUR191U NAME PLATE	1				
083		857D18-4	DUR191U SERIAL NO. LABEL	1				
A01		125520-4	BAND ASSEMBLY	1				
A02		456924-2	TOOL COVER	1				
A03		195150-5	CUTTER BLADE SET	1				
A04		783013-3	BOX DRIVER 16-17	1				
A06		831304-7	ACCESSORY BAG	1				
A07B		450128-8	BATTERY COVER	2				
A08B		197280-8	BATTERY BL1850B SET	2				
A09B		***DC18RC	DC18RC FAST CHARGER	1				
	D10		COMPO-PARTS					
A10		195246-2	SAFETY GOGGLE	1				
A12		424596-1	CAP 24	1				
A13		783202-0	HEX. WRENCH 4	1				

B:DUR191URT1(H)

Interchange
 O : Yes
 X : No
 < : the new part can be substituted for the current.
 > : the current part can be substituted for the new.
 S : Interchangeable as a set.