



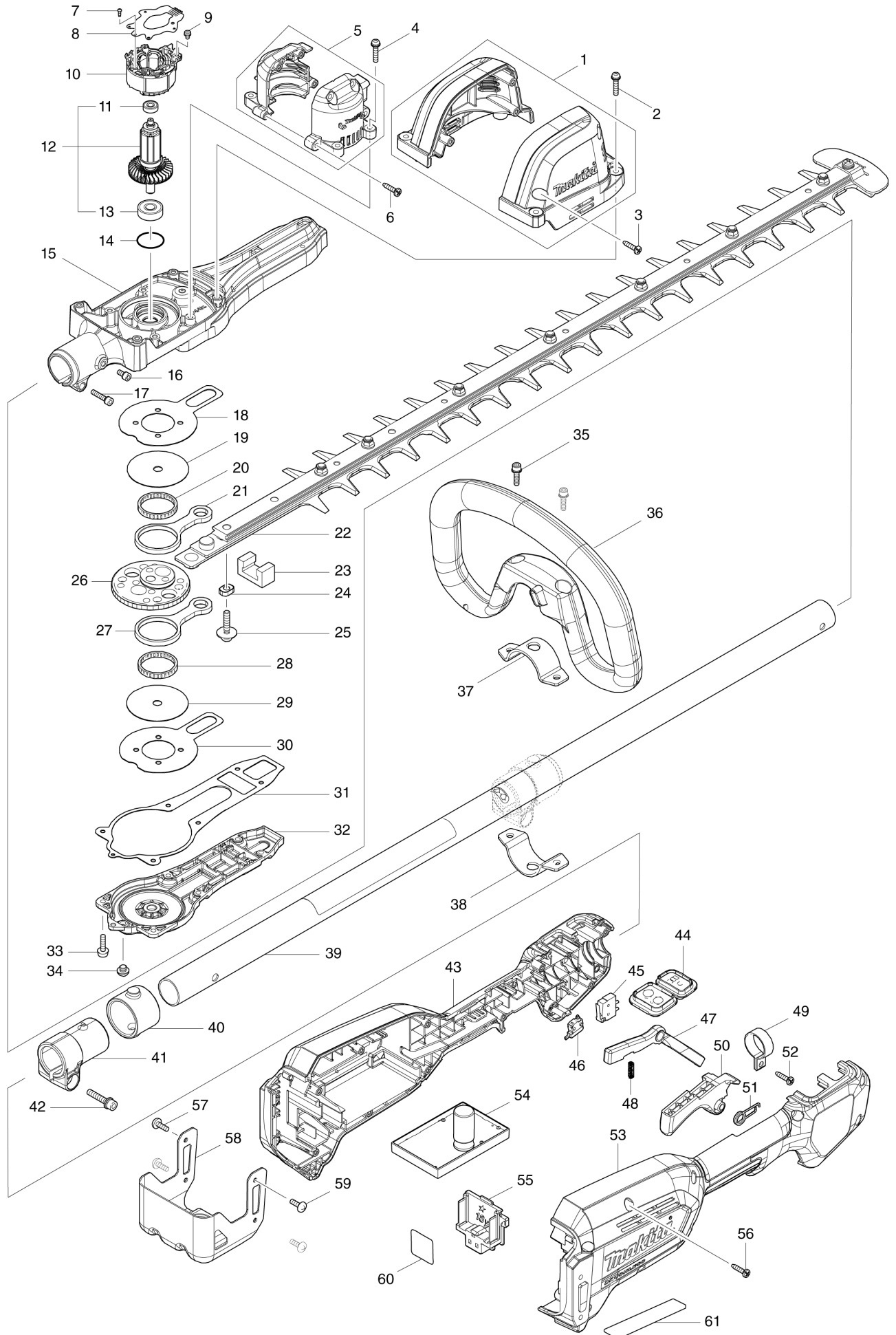
VN	VIETNAM
----	---------

Diagram / Parts List

DUN600L

CORDLESS POLE HEDGE TRIMMER

(VN) DUN600L / CORDLESS POLE HEDGE TRIMMER



VN	VIETNAM
-----------	----------------

DUN600L / CORDLESS POLE HEDGE TRIMMER

Item	Sub	Parts No.	Parts Description	Qty	I/C	E/C No.	Close No.	Remark
001		183N84-8	HOUSING SET	1				
002		911138-5	P.H.SCREW M4X20 WITH WR	4				
003		266326-2	TAPPING SCREW 4X18	3				
004		911138-5	P.H.SCREW M4X20 WITH WR	4				
005		183N83-0	MOTOR HOUSING SET	1				
006		266326-2	TAPPING SCREW 4X18	4				
007		266490-9	TAPPING SCREW PT 2X6	3				
008		620B02-8	CONTROLLER B	1				
009		652069-6	FLAT HEAD SCREW M3X6	3				
010		629352-6	STATOR	1				
011		211157-4	BALL BEARING 695ZZ	1				
012		519598-1	ROTOR ASSY	1				
	D10		INC. 11,13					
013		210005-4	BALL BEARING 608DDW	1				
014		213961-7	O RING 22	1				
015		140R16-2	GEAR HOUSING COMPLETE	1				
016		922211-6	H.S.H.BOLT M5X12 WITH W	1				
017		922241-7	HEX. SOCKET HEAD BOLT M5X25	1				
018		347361-0	FRICTION PLATE	1				
019		347661-8	PLATE	1				
020		212229-8	NEEDLE CAGE 315	1				
021		347662-6	CONNECTING ROD	1				
022		191C13-1	SHEAR BLADE 600 SET	1				
	C10	197438-9	GREASE VESSEL SET(D)	1			Y08389	
	C11	199450-5	GREASE VESSEL SET	1	O	Y08389	D1218	
	C12	199450-5	GREASE VESSEL SET	1	O	D1218		
	C20	345205-8	BRANCH CATCHER	1				
	C30	911208-0	PAN HEAD SCREW M5X10	1				
	D10		INC. 24					
023		443159-4	SEAL	1				
024		257439-0	SLEEVE 5	2				
025		265A89-3	H.S.H.BOLT M5X25 WITH WR	2				
026		226958-7	HELICAL GEAR 68	1				
027		347662-6	CONNECTING ROD	1				
028		212229-8	NEEDLE CAGE 315	1				
029		347661-8	PLATE	1				
030		347361-0	FRICTION PLATE	1				
031		422568-0	GEAR HOUSING GASKET	1				
032		319949-6	GEAR HOUSING COVER	1				
033		922128-3	HEX. SOCKET HEAD BOLT M4X16	6				
034		266559-9	H.S.BUTTON HEAD BOLT M6X4	1				
035		922233-6	H.S.H.BOLT M5X20 WITH WR	2				
036		457772-2	LOOP HANDLE	1				
037		347113-9	UPPER CLAMP 35	1				
038		347114-7	LOWER CLAMP 35	1				
039		140R19-6	PIPE 24 COMPLETE	1				
	C10	8008A7-9	CAUTION LABEL	1				
	C20	808723-2	CAUTION LABEL	1				
040		424942-8	DAMPER	1				
041		457269-1	PIPE HOLDER 24	1				
042		922244-1	H.S.H.BOLT M5X25 WITH WG	1				
043		183N92-9	GRIP HOUSING SET	1				
	C10	263005-3	RUBBER PIN 6	2				
	C20	252126-6	HEX. LOCK NUT M4-7	4				
	D10		INC. 53					
044		140R24-3	SUB CONTROLLER COMPLETE	1				
	C10	8008M5-7	SWITCH LABEL	1				
045		632E26-0	SWITCH UNIT	1				
047		457773-0	LOCK OFF LEVER	1				
048		233101-1	COMPRESSION SPRING 4	1				
049		346248-3	CLAMP 24	1				
050		412285-0	SWITCH LEVER	1				
051		233612-6	TORSION SPRING 10	1				
052		266326-2	TAPPING SCREW 4X18	1				
053		183N92-9	GRIP HOUSING SET	1				

Interchange
O : Yes
X : No
< : the new part can be substituted for the current.
> : the current part can be substituted for the new.
S : Interchangeable as a set.

