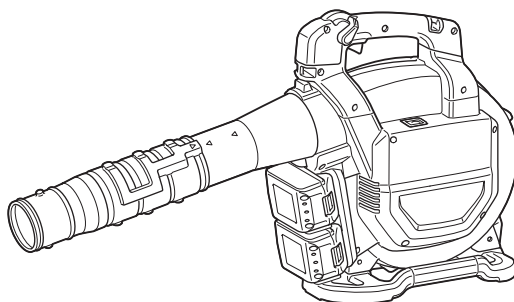
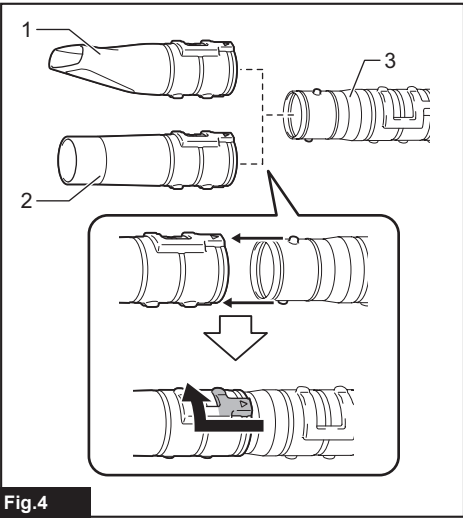
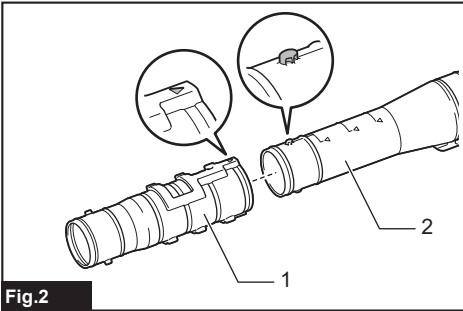
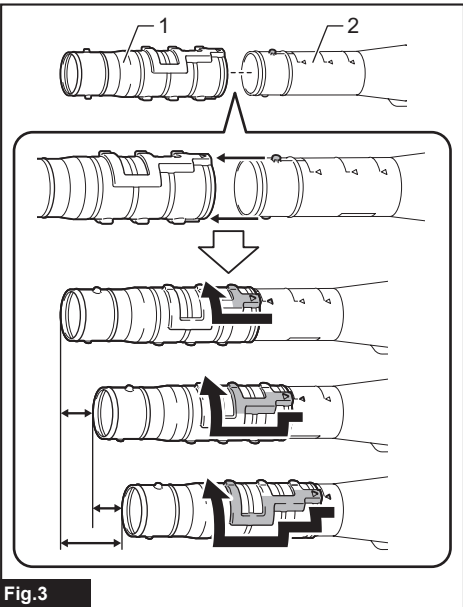
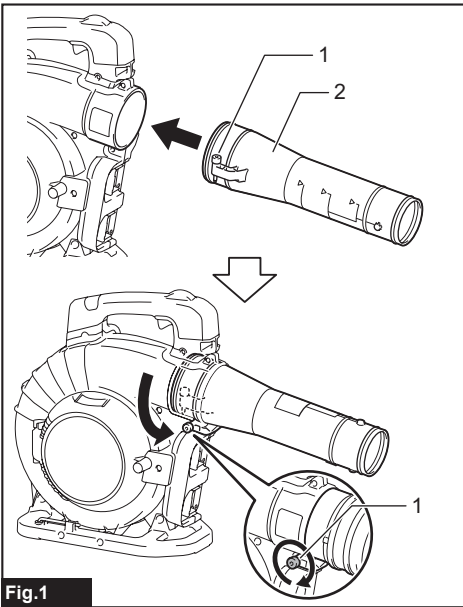


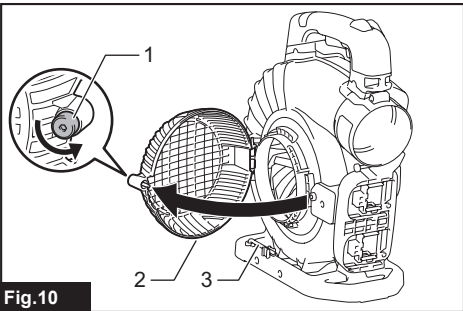
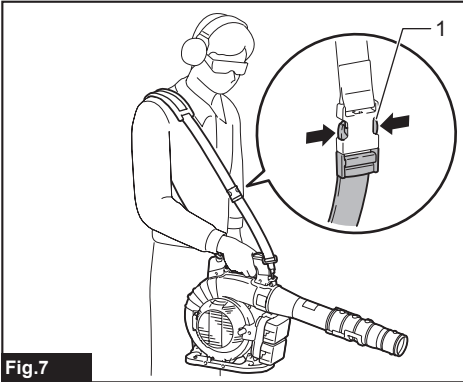
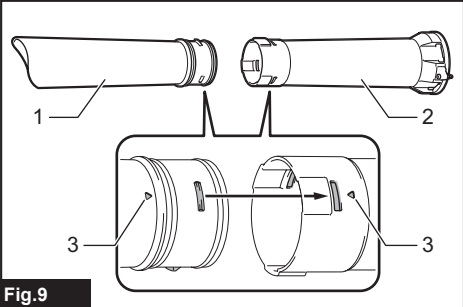
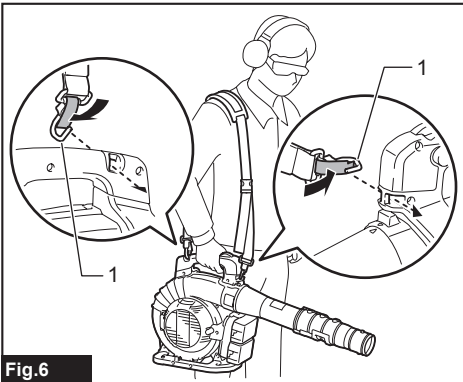
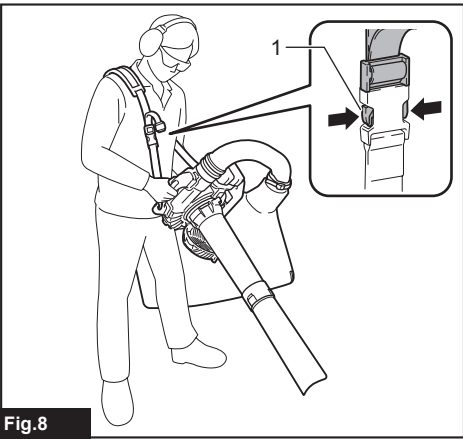
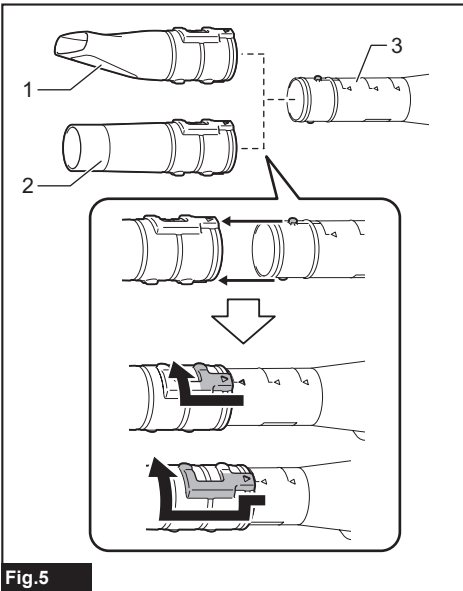


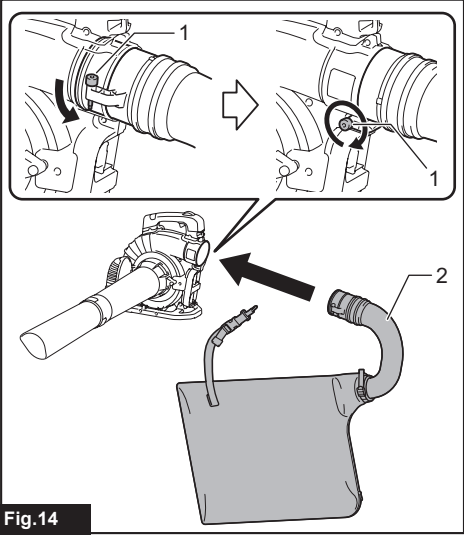
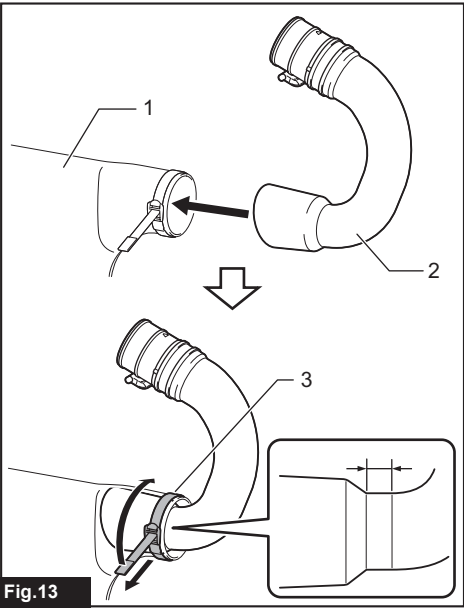
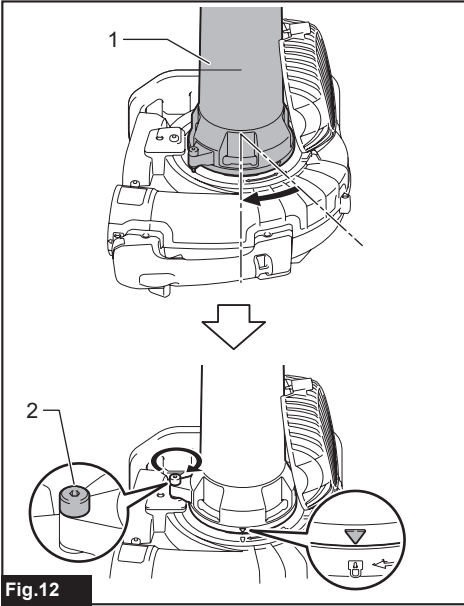
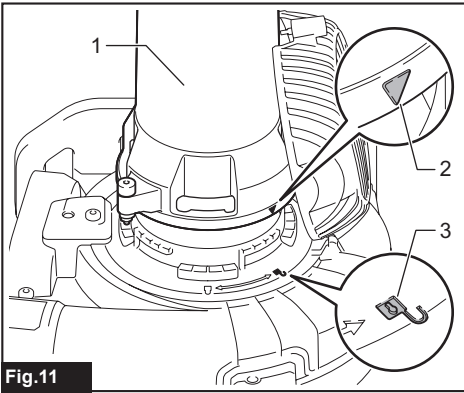
EN	Cordless Blower	INSTRUCTION MANUAL	8
ZHCN	充电式吹风机	使用说明书	17
ID	Blower Tanpa Kabel	PETUNJUK PENGGUNAAN	26
VI	Máy Thổi Cầm Tay Hoạt Động Bằng Pin	TÀI LIỆU HƯỚNG DẪN	36
TH	เครื่องเป่าลมไร้สาย	คู่มือการใช้งาน	45

DUB363









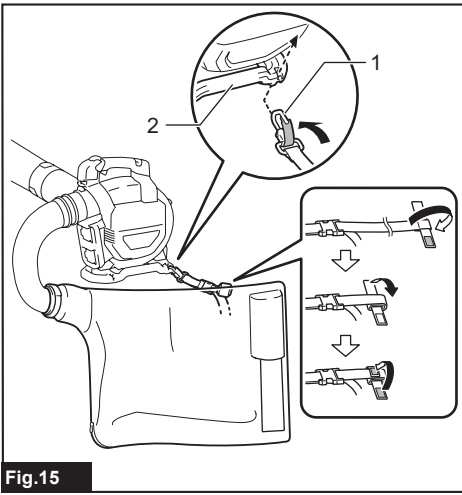


Fig. 15

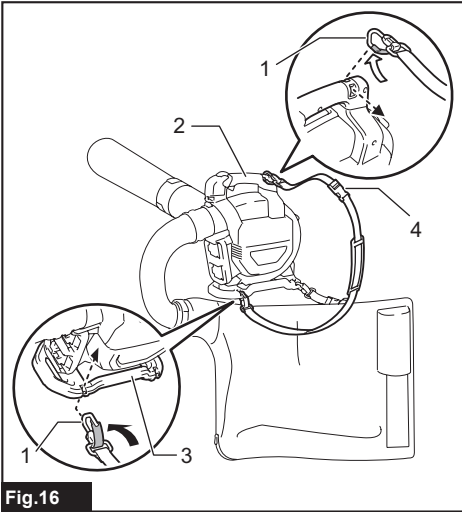


Fig. 16

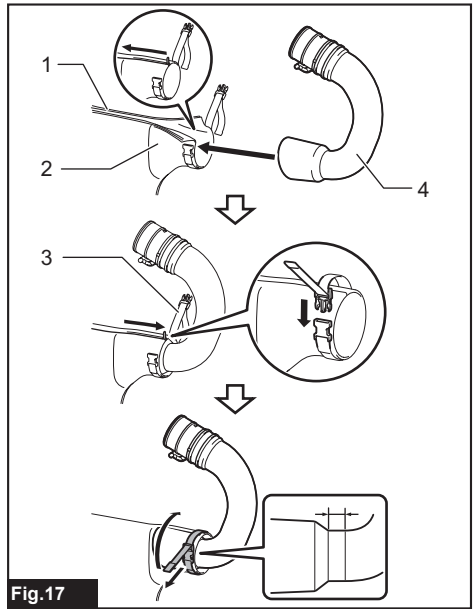


Fig. 17

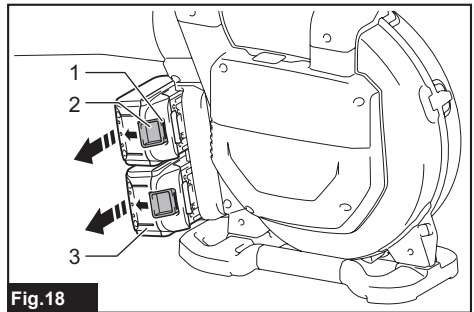


Fig. 18

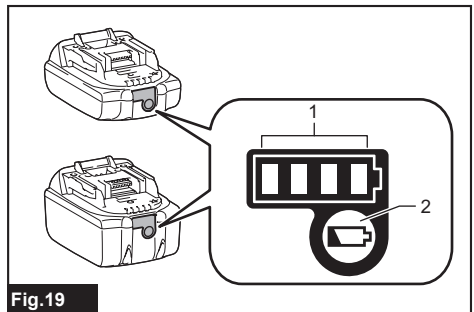


Fig. 19

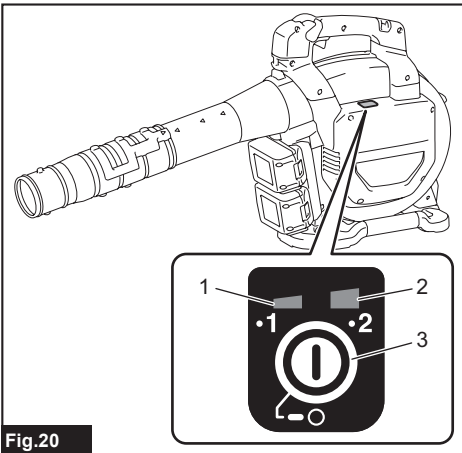


Fig.20

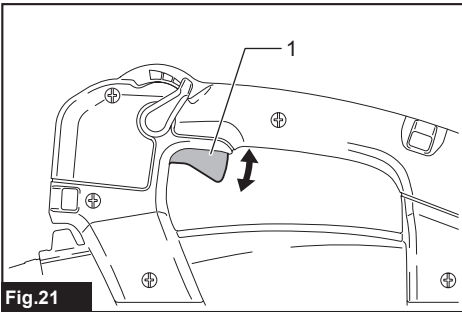


Fig.21

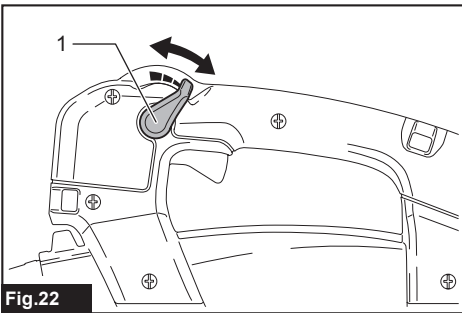


Fig.22

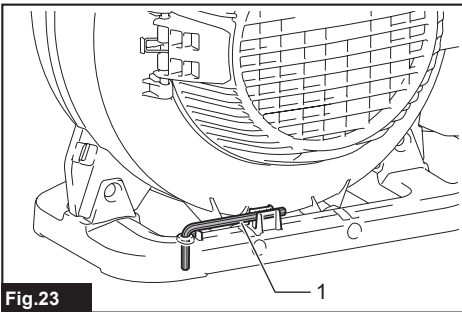


Fig.23

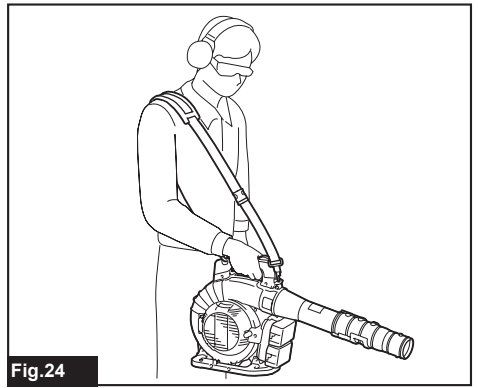


Fig.24

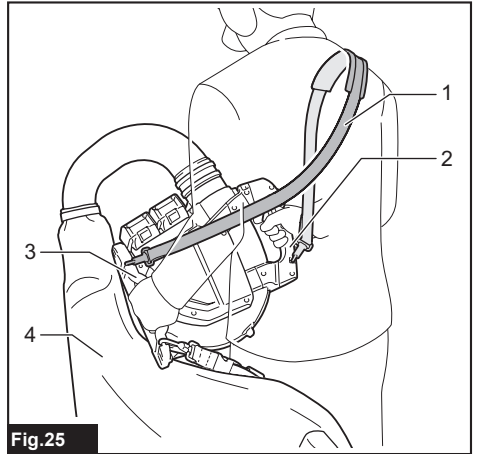


Fig.25

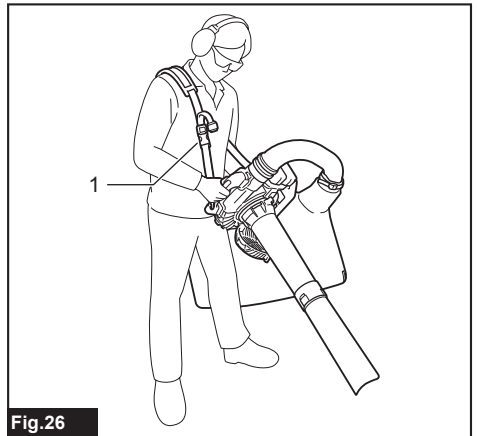


Fig.26

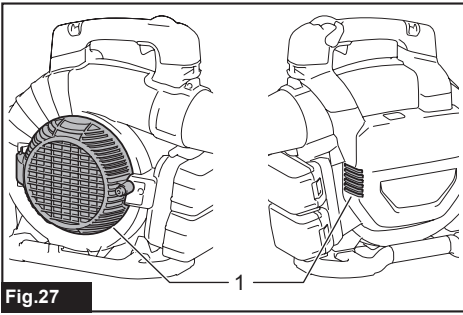


Fig.27

SPECIFICATIONS

Model:		DUB363
Capacities	Air volume	0 - 13.4 m ³ /min
	Air speed (average)	0 - 54 m/s
	Air speed (max.)	0 - 65 m/s
Dimensions (L x W x H) *1		341 mm x 193 mm x 415 mm
Rated voltage		D.C. 36 V
Net weight	Blower *2	4.5 - 5.2 kg
	Vacuum *3	6.0 - 6.6 kg

- *1. Without pipes, nozzles, dust bag, shoulder strap, and battery cartridges.
- *2. With blower pipe, end nozzle and flat nozzle, and without suction pipe, suction nozzle, elbow pipe, dust bag and shoulder strap.
- *3. With suction pipe, suction nozzle, elbow pipe, dust bag and shoulder strap, and without blower pipe, end nozzle and flat nozzle.
- Due to our continuing program of research and development, the specifications herein are subject to change without notice.
- Specifications may differ from country to country.
- The weight may differ depending on the attachment(s), including the battery cartridge. The lightest and heaviest combination, according to EPTA-Procedure 01/2014, are shown in the table.

Applicable battery cartridge and charger

Battery cartridge	BL1815N / BL1820B / BL1830B / BL1840B / BL1850B / BL1860B
Charger	DC18RC / DC18RD / DC18RE / DC18SD / DC18SE / DC18SF / DC18SH

- Some of the battery cartridges and chargers listed above may not be available depending on your region of residence.

⚠WARNING: Only use the battery cartridges and chargers listed above. Use of any other battery cartridges and chargers may cause injury and/or fire.





Recommended cord connected power source




Battery adapter	BAP182
Cord connected battery pack	BL36120A
Portable power pack	PDC01 / PDC1200

- The cord connected power source(s) listed above may not be available depending on your region of residence.
- Before using the cord connected power source, read instruction and cautionary markings on them.

Symbols

The followings show the symbols which may be used for the equipment. Be sure that you understand their meaning before use.

	Take particular care and attention.
	Read instruction manual.
	Keep hands away from rotating parts.
	Long hair may cause entanglement accident.

	Keep bystanders away.
	Wear eye and ear protection.
	Do not expose to moisture.



Only for EU countries
 Due to the presence of hazardous components in the equipment, waste electrical and electronic equipment, accumulators and batteries may have a negative impact on the environment and human health. Do not dispose of electrical and electronic appliances or batteries with household waste!
 In accordance with the European Directive on waste electrical and electronic equipment and on accumulators and batteries and waste accumulators and batteries, as well as their adaptation to national law, waste electrical equipment, batteries and accumulators should be stored separately and delivered to a separate collection point for municipal waste, operating in accordance with the regulations on environmental protection.
 This is indicated by the symbol of the crossed-out wheeled bin placed on the equipment.



Guaranteed sound power level according to EU Outdoor Noise Directive.



Sound power level according to Australia NSW Noise Control Regulation

Intended use

The machine is intended for blowing and vacuuming.

SAFETY WARNINGS

Cordless Blower Safety Instructions

⚠ WARNING: Read all safety warnings and all instructions. Failure to follow the warnings and instructions may result in electric shock, fire and/or serious injury.

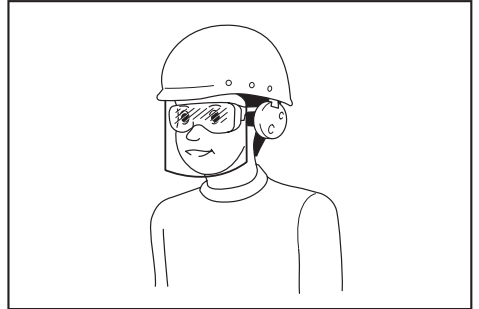
Save all warnings and instructions for future reference.

Training

1. Read the instructions carefully. Be familiar with the controls and the correct use of the machine.
2. Never allow children, persons with reduced physical, sensory or mental capabilities or lack of experience and knowledge or people unfamiliar with these instructions to use the machine. Local regulations may restrict the age of the operator.
3. Never operate the machine while people, especially children, or pets are nearby.
4. Keep in mind that the operator or user is responsible for accidents or hazards occurring to other people or their property.

Preparation

1. Always wear substantial footwear and long trousers while operating the machine.
2. Do not wear loose clothing or jewellery that can be drawn into the air inlet. Keep long hair away from the air inlets.
3. Always wear protective goggles to protect your eyes from injury when using power tools. The goggles must comply with ANSI Z87.1 in the USA, EN 166 in Europe, or AS/NZS 1336 in Australia/New Zealand. In Australia/New Zealand, it is legally required to wear a face shield to protect your face, too.



It is an employer's responsibility to enforce the use of appropriate safety protective equipments by the tool operators and by other persons in the immediate working area.

4. To prevent dust irritation the wearing of a face mask is recommended.
5. While operating the machine, always wear non-slip and protective footwear. Non-skid, closed-toed safety boots and shoes will reduce the risk of injury.
6. Use personal protective equipment. Always wear eye protection. Protective equipment such as a dust mask, non-skid safety shoes, hard hat or hearing protection used for appropriate conditions will reduce personal injuries.

Operation

1. Switch off the machine and remove the battery cartridge and make sure that all moving parts have come to a complete stop
 - whenever you leave the machine.
 - before clearing blockages.
 - before checking, cleaning or working on the machine.
 - if the machine starts to vibrate abnormally.
 - whenever you convert the machine from blower to vacuum, and vice versa.
2. Operate the machine only in daylight or in good artificial light.
3. Do not overreach and keep proper balance and footing at all times.
4. Always be sure of your footing on slopes.
5. Walk, never run.
6. Keep all cooling air inlets clear of debris.

7. When using the machine for blower operation, never blow debris in the direction of bystanders. When using the machine for vacuuming operation, be careful not to blow debris in the direction of bystanders with the exhausted wind from the dust bag.
8. Operate the machine in a recommended position and on a firm surface.
9. Do not operate the machine at high places.
10. Never point the nozzle at anyone in the vicinity when using the machine.
11. Never block suction inlet and/or blower outlet.
 - Be careful not to block suction inlet or blower outlet with dust or dirt when operating in dusty area.
 - Do not use nozzles other than the nozzles provided by Makita.
 - Do not use the blower to inflate balls, rubber boat or the similar.
12. Do not operate the machine near open window, etc.
13. Operating the machine only at reasonable hours is recommended - not early in the morning or late at night when people might be disturbed.
14. Using rakes and brooms to loosen debris before blowing is recommended.
15. If the machine strikes any foreign objects or should start making any unusual noise or vibration, immediately switch off the machine to stop it. Remove the battery cartridge from the machine and inspect the machine for damage before restarting and operating the machine. If the machine is damaged, ask Makita Authorized Service Centers for repair.
16. Do not insert fingers or other objects into suction inlet or blower outlet.
17. Prevent unintentional starting. Ensure the switch is in the off-position before inserting battery cartridge, picking up or carrying the machine. Carrying the machine with your finger on the switch or energizing the machine that has the switch on invites accidents.
18. Never blow or vacuum dangerous materials, such as nails, fragments of glass, or blades.
19. Do not operate the machine near flammable materials.
20. Avoid operating the machine for a long time in low temperature environment.
21. When using the machine for blower operation in combination of the battery adapter equipped with the shoulder harness, do not use this machine with the shoulder strap being attached to the machine.
22. When you are wearing the dust bag for vacuuming operation, do not use this machine in combination of the battery adapter equipped with the shoulder harness.

Maintenance and storage

1. Keep all nuts, bolts and screws tight to be sure the machine is in safe working condition.
2. If the parts are worn or damaged, replace them with parts provided by Makita.

3. Store the machine in a dry place out of the reach of children.
4. When you stop the machine for inspection, servicing, storage, or changing accessory, switch off the machine and make sure that all moving parts come to a complete stop, and remove the battery cartridge. Cool down the machine before making any work on the machine. Maintain the machine with care and keep it clean.
5. Always cool down the machine before storing.
6. Do not expose the machine to rain. Store the machine indoors.
7. When you lift the machine, be sure to bend your knees and be careful not to hurt your back.

Battery tool use and care

1. Recharge only with the charger specified by the manufacturer. A charger that is suitable for one type of battery pack may create a risk of fire when used with another battery pack.
2. Use power tools only with specifically designated battery packs. Use of any other battery packs may create a risk of injury and fire.
3. When battery pack is not in use, keep it away from other metal objects, like paper clips, coins, keys, nails, screws or other small metal objects, that can make a connection from one terminal to another. Shorting the battery terminals together may cause burns or a fire.
4. Under abusive conditions, liquid may be ejected from the battery; avoid contact. If contact accidentally occurs, flush with water. If liquid contacts eyes, additionally seek medical help. Liquid ejected from the battery may cause irritation or burns.
5. Do not use a battery pack or tool that is damaged or modified. Damaged or modified batteries may exhibit unpredictable behaviour resulting in fire, explosion or risk of injury.
6. Do not expose a battery pack or tool to fire or excessive temperature. Exposure to fire or temperature above 130 °C may cause explosion.
7. Follow all charging instructions and do not charge the battery pack or tool outside the temperature range specified in the instructions. Charging improperly or at temperatures outside the specified range may damage the battery and increase the risk of fire.

Electrical and battery safety

1. Do not dispose of the battery(ies) in a fire. The cell may explode. Check with local codes for possible special disposal instructions.
2. Do not open or mutilate the battery(ies). Released electrolyte is corrosive and may cause damage to the eyes or skin. It may be toxic if swallowed.
3. Do not charge battery in rain, or in wet locations.
4. Do not charge the battery outdoors.
5. Do not handle charger, including charger plug, and charger terminals with wet hands.

6. **Avoid dangerous environment. Don't use the tool in dump or wet locations or expose it to rain.** Water entering the tool will increase the risk of electric shock.

Service

1. **Have your power tool serviced by a qualified repair person using only identical replacement parts.** This will ensure that the safety of the power tool is maintained.
2. **Never service damaged battery packs.** Service of battery packs should only be performed by the manufacturer or authorized service providers.

SAVE THESE INSTRUCTIONS.

⚠WARNING: DO NOT let comfort or familiarity with product (gained from repeated use) replace strict adherence to safety rules for the subject product.

MISUSE or failure to follow the safety rules stated in this instruction manual may cause serious personal injury.

Important safety instructions for battery cartridge

1. **Before using battery cartridge, read all instructions and cautionary markings on (1) battery charger, (2) battery, and (3) product using battery.**
2. **Do not disassemble or tamper with the battery cartridge.** It may result in a fire, excessive heat, or explosion.
3. **If operating time has become excessively shorter, stop operating immediately.** It may result in a risk of overheating, possible burns and even an explosion.
4. **If electrolyte gets into your eyes, rinse them out with clear water and seek medical attention right away.** It may result in loss of your eyesight.
5. **Do not short the battery cartridge:**
 - (1) **Do not touch the terminals with any conductive material.**
 - (2) **Avoid storing battery cartridge in a container with other metal objects such as nails, coins, etc.**
 - (3) **Do not expose battery cartridge to water or rain.**

A battery short can cause a large current flow, overheating, possible burns and even a breakdown.

6. **Do not store and use the tool and battery cartridge in locations where the temperature may reach or exceed 50 °C (122 °F).**
7. **Do not incinerate the battery cartridge even if it is severely damaged or is completely worn out.** The battery cartridge can explode in a fire.
8. **Do not nail, cut, crush, throw, drop the battery cartridge, or hit against a hard object to the battery cartridge.** Such conduct may result in a fire, excessive heat, or explosion.
9. **Do not use a damaged battery.**

10. **The contained lithium-ion batteries are subject to the Dangerous Goods Legislation requirements.**

For commercial transports e.g. by third parties, forwarding agents, special requirement on packaging and labeling must be observed. For preparation of the item being shipped, consulting an expert for hazardous material is required. Please also observe possibly more detailed national regulations.

Tape or mask off open contacts and pack up the battery in such a manner that it cannot move around in the packaging.

11. **When disposing the battery cartridge, remove it from the tool and dispose of it in a safe place. Follow your local regulations relating to disposal of battery.**
12. **Use the batteries only with the products specified by Makita.** Installing the batteries to non-compliant products may result in a fire, excessive heat, explosion, or leak of electrolyte.
13. **If the tool is not used for a long period of time, the battery must be removed from the tool.**
14. **During and after use, the battery cartridge may take on heat which can cause burns or low temperature burns.** Pay attention to the handling of hot battery cartridges.
15. **Do not touch the terminal of the tool immediately after use as it may get hot enough to cause burns.**
16. **Do not allow chips, dust, or soil stuck into the terminals, holes, and grooves of the battery cartridge.** It may result in poor performance or breakdown of the tool or battery cartridge.
17. **Unless the tool supports the use near high-voltage electrical power lines, do not use the battery cartridge near high-voltage electrical power lines.** It may result in a malfunction or breakdown of the tool or battery cartridge.
18. **Keep the battery away from children.**

SAVE THESE INSTRUCTIONS.

⚠CAUTION: Only use genuine Makita batteries. Use of non-genuine Makita batteries, or batteries that have been altered, may result in the battery bursting causing fires, personal injury and damage. It will also void the Makita warranty for the Makita tool and charger.

Tips for maintaining maximum battery life

1. **Charge the battery cartridge before completely discharged. Always stop tool operation and charge the battery cartridge when you notice less tool power.**
2. **Never recharge a fully charged battery cartridge. Overcharging shortens the battery service life.**
3. **Charge the battery cartridge with room temperature at 10 °C - 40 °C (50 °F - 104 °F). Let a hot battery cartridge cool down before charging it.**
4. **When not using the battery cartridge, remove it from the tool or the charger.**

5. Charge the battery cartridge if you do not use it for a long period (more than six months).

ASSEMBLY

CAUTION: Always be sure that the machine is switched off and the battery cartridge is removed before carrying out any work on the machine.

NOTICE: Before operating the machine, be sure to completely assemble the machine. Otherwise, the machine does not work.

Assembly for blowing

Installing or removing blower pipe and nozzle

1. Attach the blower pipe to the main unit.

Insert the blower pipe into the main unit with the bolt facing left as shown in the figure. Turn the blower pipe as shown in the figure so that the bolt is aligned with the hole on the main unit, and then tighten the bolt firmly using the hex wrench.

► **Fig.1:** 1. Bolt 2. Blower pipe

2. Align the protrusion on the blower pipe with the groove on the end nozzle, then attach the end nozzle to the blower pipe, and then turn the end nozzle to lock it into place.

► **Fig.2:** 1. End nozzle 2. Blower pipe

To remove the blower pipe and end nozzle, perform the installation procedure in reverse.

NOTE: The length of the nozzle can be changed by moving the nozzle as shown in the figure.

► **Fig.3:** 1. End nozzle 2. Blower pipe

Installing or removing flat nozzle or extension nozzle

Optional accessory

Attach the flat nozzle or extension nozzle to the end nozzle, and then turn it to lock it into place.

► **Fig.4:** 1. Flat nozzle 2. Extension nozzle 3. End nozzle

You can also attach the flat nozzle or extension nozzle to the blower pipe.

► **Fig.5:** 1. Flat nozzle 2. Extension nozzle 3. Blower pipe

To remove the flat nozzle or extension nozzle, perform the installation procedure in reverse.

Installing the gutter nozzle

Optional accessory

The gutter nozzle can be installed on the blower. The adapter pipe designed exclusively for this model is required to install the gutter nozzle.

For more details, refer to the instruction manual provided with the gutter nozzle.

Attaching shoulder strap

CAUTION: Be sure to attach the hooks of the shoulder strap to the machine securely. If the hooks are attached incompletely, they may come off and cause an injury.

CAUTION: Be sure to use the shoulder strap dedicated to this machine. Using other shoulder strap may cause an injury.

CAUTION: When you use the machine in combination of the backpack-type power supply such as portable power pack, do not use the shoulder strap included in the machine package, but use the hanging band recommended by Makita.

If you put on the shoulder strap included in the machine package and the shoulder harness of the backpack-type power supply at the same time, removing the machine or backpack-type power supply is difficult in case of an emergency, and it may cause an accident or injury. For the recommended hanging band, ask Makita Authorized Service Centers.

Attach the hooks of the shoulder strap to the machine as shown in the figure.

► **Fig.6:** 1. Hook

The shoulder strap features a means of quick release. Simply squeeze the sides of the buckle to release the machine from the shoulder strap.

► **Fig.7:** 1. Buckle

► **Fig.8:** 1. Buckle

Assembly for vacuuming

CAUTION: When performing the vacuuming operation, always attach the suction nozzle to the suction pipe.

CAUTION: For safe operation, the suction nozzle cannot be removed from the suction pipe, once they are assembled. Do not remove the suction nozzle forcibly after the assembly. Otherwise, they may be damaged.

Installing or removing suction pipe and nozzle


Optional accessory


1. Align the triangle mark on the suction nozzle with that on the suction pipe, and then insert the suction nozzle into the suction pipe until the latch on the nozzle snaps into place.

► **Fig.9:** 1. Suction nozzle 2. Suction pipe 3. Triangle mark

2. Loosen the bolt on the fan cover using the hex wrench, and open the fan cover.

► **Fig.10:** 1. Bolt 2. Fan cover 3. Hex wrench

3. Align the triangle mark on the suction pipe with the  mark on the main unit, and then attach the suction pipe to the main unit.

► **Fig.11:** 1. Suction pipe 2. Triangle mark 3.  mark

- Turn the suction pipe clockwise so that the bolt on the pipe is aligned with the hole on the main unit, and then fasten the bolt firmly using the hex wrench to secure the pipe to the main unit.

► **Fig.12:** 1. Suction pipe 2. Bolt

To remove the suction pipe and nozzle, perform the installation procedure in reverse.

Installing or removing elbow pipe and dust bag

Optional accessory

- Insert the elbow pipe into the dust bag and tighten the belt to fix the elbow pipe as shown in the figure.

► **Fig.13:** 1. Dust bag 2. Elbow pipe 3. Belt

- Attach the elbow pipe to the main unit.

Insert the elbow pipe into the main unit with the bolt facing left as shown in the figure. Turn the elbow pipe as shown in the figure so that the bolt is aligned with the hole on the main unit, and then tighten the bolt firmly using the hex wrench.

► **Fig.14:** 1. Bolt 2. Elbow pipe

- Attach the hook of the dust bag to the sub handle as shown in the figure.

Adjust the length of the strap, and then fold extra strap and fix it with hook and loop fastener.

► **Fig.15:** 1. Hook 2. Sub handle

- Attach the hooks of the shoulder strap to the carry handle and sub handle as shown in the figure.

Make sure that the buckle is on the carry handle side.

► **Fig.16:** 1. Hook 2. Carry handle 3. Sub handle
4. Buckle

To remove the dust bag and elbow pipe, perform the installation procedure in reverse.

When installing the small dust bag, open the fastener, then insert the elbow pipe into the dust bag, and then close the fastener. Lock and tighten the belt to fix the elbow pipe.

► **Fig.17:** 1. Fastener 2. Dust bag 3. Belt 4. Elbow pipe

FUNCTIONAL DESCRIPTION

CAUTION: Always be sure that the machine is switched off and the battery cartridge is removed before adjusting or checking function on the machine.

Installing or removing battery cartridge

CAUTION: Always switch off the machine before installing or removing of the battery cartridge.

CAUTION: Hold the machine and the battery cartridge firmly when installing or removing battery cartridge. Failure to hold the machine and the battery cartridge firmly may cause them to slip off your hands and result in damage to the machine and battery cartridge and a personal injury.

CAUTION: Always install the battery cartridge fully until the red indicator cannot be seen. If not, it may accidentally fall out of the machine, causing injury to you or someone around you.

CAUTION: Do not install the battery cartridge forcibly. If the cartridge does not slide in easily, it is not being inserted correctly.

► **Fig.18:** 1. Red indicator 2. Button 3. Battery cartridge

To remove the battery cartridge, slide it from the machine while sliding the button on the front of the cartridge.

To install the battery cartridge, align the tongue on the battery cartridge with the groove in the housing and slip it into place. Insert it all the way until it locks in place with a little click. If you can see the red indicator on the upper side of the button, it is not locked completely.

Indicating the remaining battery capacity

Only for battery cartridges with the indicator

► **Fig.19:** 1. Indicator lamps 2. Check button

Press the check button on the battery cartridge to indicate the remaining battery capacity. The indicator lamps light up for a few seconds.

Indicator lamps			Remaining capacity
Lighted	Off	Blinking	
■ ■ ■ ■			75% to 100%
■ ■ ■ □			50% to 75%
■ ■ □ □			25% to 50%
■ □ □ □			0% to 25%
▣ □ □ □			Charge the battery.
■ ■ □ □			The battery may have malfunctioned.
□ □ ■ ■			

NOTE: Depending on the conditions of use and the ambient temperature, the indication may differ slightly from the actual capacity.

NOTE: The first (far left) indicator lamp will blink when the battery protection system works.

Machine/battery protection system

The machine is equipped with a machine/battery protection system. This system automatically cuts off power to the motor to extend machine and battery life. The machine will automatically stop during operation if the machine or battery is placed under one of the following conditions:

Overload protection

When the machine or battery is operated in a manner that causes it to draw an abnormally high current, the machine automatically stops and the lamp for mode 1 blinks in green. In this situation, turn the machine off and stop the application that caused the machine to become overloaded. Then turn the machine on to restart.

Overheat protection

When the machine or battery is overheated, the machine stops automatically and the lamp for mode 1 lights up in red. In this case, let the machine and battery cool down before turning the machine on again.

Overdischarge protection

When the battery capacity is not enough, the machine stops automatically and the lamp for mode 1 blinks in red. In this case, remove the battery from the machine and charge the battery.

Main power switch

⚠ WARNING: Always turn off the main power switch when not in use.

To turn on the machine, press the main power switch. The lamps for mode 1 and mode 2 light up in green. To turn off, keep pressing the main power switch until the lamps for mode 1 and mode 2 go off.

► **Fig.20:** (1) Lamp for mode 1 (2) Lamp for mode 2 (3) Main power switch

You can use the machine in the vacuuming mode. In the vacuuming mode, the suction volume becomes smaller than in the normal mode.

When you turn on the machine, the machine starts up in the normal mode. To use the machine in the vacuuming mode, press the main power switch when the machine is turned on. The lamp for mode 2 goes off and only the lamp for mode 1 lights up in green. When you press the main power switch again, the machine returns to the normal mode, and the lamps for mode 1 and mode 2 light up in green.

NOTE: The lamp for mode 1 blinks in green if the machine is operated under unoperatable conditions. The lamp blinks in one of the following conditions.

- The switch trigger is pulled, when the bolt on the fan cover or suction pipe is not tightened firmly, or the bolt on the blower pipe or elbow pipe is not tightened firmly.
- The machine is turned on, when the control lever is not fully returned to the off position, or while you are pulling the switch trigger.

NOTE: This machine employs the auto power-off function. To avoid unintentional start up, the main power switch will automatically shut down when the switch trigger is not pulled for a certain period after the main power switch is turned on.

Switch action

⚠ WARNING: Before installing the battery cartridge into the machine, always check to see that the switch trigger actuates properly and returns to the "OFF" position when released.

► **Fig.21:** 1. Switch trigger

To start the machine, simply pull the switch trigger. The speed is increased by increasing pressure on the switch trigger. Release the switch trigger to stop.

Cruise control function

The cruise control function allows the operator to maintain a constant speed without pulling the trigger. To increase the speed, turn the control lever forward. To decrease the speed, turn the control lever backward.

► **Fig.22:** 1. Control lever

Hex wrench storage

When not in use, store the hex wrench as illustrated to keep it from being lost.

► **Fig.23:** 1. Hex wrench

Accidental re-start preventive function

If you turn on the machine while pulling the switch trigger or while the control lever is not in the off position, the machine does not start. To start the machine, first release the switch trigger and return the control lever fully, and then turn on the machine.

Electronic function

The machine is equipped with the electronic function for easy operation.

- Constant speed control
The speed control function provides the constant rotation speed regardless of load conditions.

OPERATION

⚠ CAUTION: Do not place the machine on the ground while it is switched on. Sand or dust may enter from suction inlet and cause a malfunction or personal injury.

Blower operation

⚠ CAUTION: When performing the blower operation, be sure to remove the suction pipe, suction nozzle, elbow pipe and dust bag from the machine, and attach the blower pipe and nozzles to the machine.

Hold the machine firmly with a hand and perform the blowing operation by moving it around slowly. When blowing around building, big stone or vehicle, direct the nozzle away from them. When performing an operation in a corner, start from the corner and then move to wide area.

► Fig.24

Vacuuming operation

⚠ CAUTION: When performing the vacuuming operation, be sure to remove the blower pipe and nozzles from the machine, and attach the suction pipe, suction nozzle, elbow pipe, dust bag, and shoulder strap to the machine.

⚠ CAUTION: Check the dust bag frequently for wear or deterioration.

⚠ CAUTION: Be sure to fasten the fastener of the dust bag before operating the machine.

⚠ CAUTION: Always switch off the machine before opening or fastening the fastener of the dust bag.

⚠ CAUTION: Before operating the machine, adjust the length of the strap so that the dust bag does not touch the ground.

NOTICE: Do not allow wet materials, such as wet leaves, and foreign materials, such as large wood chips, metals, glass, pebbles, etc., to be sucked into the machine. Otherwise, a malfunction may occur.

NOTICE: Empty the dust bag before it becomes full. Otherwise, a malfunction may occur.

NOTICE: To prevent the suction of foreign materials, operating the machine in the vacuuming mode is recommended.

1. Put the shoulder strap on the shoulder as shown in the figure. Adjust the length of the strap.

► Fig.25: 1. Shoulder strap 2. Carry handle 3. Sub handle 4. Dust bag

2. Hold the carry handle with your right hand and the sub handle with the other hand.

Make sure that the buckle is on the front side.

► Fig.26: 1. Buckle

3. While operating the machine, adjust the switch trigger so that the suction force is appropriate for the work location and conditions.

MAINTENANCE

⚠ CAUTION: Always be sure that the machine is switched off and the battery cartridge is removed before attempting to perform inspection or maintenance.

To maintain product SAFETY and RELIABILITY, repairs, any other maintenance or adjustment should be performed by Makita Authorized or Factory Service Centers, always using Makita replacement parts.

Cleaning the machine

Clean the machine by wiping off dust with a dry cloth or one dipped in soapy water and wrung out.

NOTICE: Never use gasoline, benzine, thinner, alcohol or the like. Discoloration, deformation or cracks may result.

Remove dust or dirt from the suction inlets.

► Fig.27: 1. Suction inlet

TROUBLESHOOTING

Before asking for repairs, conduct your own inspection first. If you find a problem that is not explained in the manual, do not attempt to dismantle the machine. Instead, ask Makita Authorized Service Centers, always using Makita replacement parts for repairs.

State of abnormality	Probable cause (malfunction)	Remedy
Motor does not run.	Battery cartridge is not installed.	Install the battery cartridge.
	Battery problem (under voltage)	Recharge the battery. If recharging is not effective, replace battery.
	For blower The blower pipe is not attached. The fan cover is not closed.	Attach the blower pipe, and then tighten the bolt. Close the fan cover, and then tighten the bolt.
	For vacuum The elbow pipe or suction pipe is not attached.	Attach the elbow pipe or suction pipe, and then tighten the bolt.
	The drive system does not work correctly.	Ask your local authorized service center for repair.
Motor stops running after a little use.	Battery's charge level is low.	Recharge the battery. If recharging is not effective, replace battery.
	Overheating.	Stop using the machine to allow it to cool down.
The machine does not reach the maximum speed.	Battery is installed improperly.	Install the battery cartridge as described in this manual.
	Battery power is dropping.	Recharge the battery. If recharging is not effective, replace battery.
	The drive system does not work correctly.	Ask your local authorized service center for repair.
Abnormal vibration: ⇒ stop the machine immediately!	The drive system does not work correctly.	Ask your local authorized service center for repair.
Motor cannot stop: ⇒ Remove the battery immediately!	Electric or electronic malfunction.	Remove the battery and ask your local authorized service center for repair.

OPTIONAL ACCESSORIES

⚠ CAUTION: These accessories or attachments are recommended for use with your Makita product specified in this manual. The use of any other accessories or attachments might present a risk of injury to persons. Only use accessory or attachment for its stated purpose.

If you need any assistance for more details regarding these accessories, ask your local Makita Service Center.

- Vacuum kit
- Extension nozzle
- Flat nozzle
- Gutter nozzle
- Adapter pipe
- Shoulder strap
- Small dust bag
- Makita genuine battery and charger

NOTE: Some items in the list may be included in the product package as standard accessories. They may differ from country to country.

规格

型号:		DUB363
能力	风量	0 - 13.4 m ³ /min
	风速 (平均值)	0 - 54 m/s
	风速 (最大值)	0 - 65 m/s
尺寸 (长 × 宽 × 高) *1		341 mm x 193 mm x 415 mm
额定电压		D.C. 36 V
净重	吹风机 *2	4.5 - 5.2 kg
	集尘器 *3	6.0 - 6.6 kg

*1.无管子、喷嘴、集尘袋、肩带和电池组。

*2.带吹风管、端部喷嘴和扁喷嘴，无吸风管、吸风嘴、弯管、集尘袋和肩带。

*3.带吸风管、吸风嘴、弯管、集尘袋和肩带，无吹风管、端部喷嘴和扁喷嘴。

- 生产者保留变更规格不另行通知之权利。
- 规格可能因销往国家之不同而异。
- 重量因附件（包括电池组）而异。根据EPTA-Procedure 01/2014，最重与最轻的组合见表格。

适用电池组和充电器

电池组	BL1815N / BL1820B / BL1830B / BL1840B / BL1850B / BL1860B
充电器	DC18RC / DC18RD / DC18RE / DC18SD / DC18SE / DC18SF / DC18SH

- 部分以上所列电池组和充电器是否适用视用户所在地区而异。

警告： 请仅使用以上所列电池组和充电器。使用其他类型的电池组或充电器可能会导致人身伤害和 / 或失火。

推荐的用电源线连接的电源

电池连接转换器	BAP182
用电源线连接的电池组	BL36120A
便携电源装置	PDC01 / PDC1200

- 以上所列的用电源线连接的电源是否适用取决于用户所在地区。
- 在使用用电源线连接的电源之前，请先阅读使用说明书和了解相关警示标识。

符号

以下显示本设备可能会使用的符号。在使用工具之前，请务必理解其含义。



特别小心和注意。



阅读使用说明书。



手应远离旋转的部件。



长发可能会导致卷入事故。



使旁观者远离。



请佩戴耳目保护装置。



请勿暴露于潮湿环境。



仅限于欧盟国家
由于本设备中包含有害成分，因此废弃的电气和电子设备、蓄电池和普通电池可能会对环境和人体健康产生负面影响。请勿将电气和电子工具或电池与家庭普通废弃物放在一起处置！

根据欧洲关于废弃电气电子设备、蓄电池和普通电池的指令及其国家层面的修订法案，废弃的电气设备、普通电池和蓄电池应当单独存放并递送至城市垃圾收集点，根据环保法规进行处置。

此规定由标有叉形标志的带轮垃圾桶符号表示。



保证声功率级别符合欧盟室外噪音指令。



声功率级别符合澳大利亚NSW噪音控制规定

用途

本机用于吹扫和抽吸操作。

安全警告

充电式吹风机安全注意事项

警告： 阅读所有警告和所有说明。不遵照以下警告和说明会导致电击、着火和/或严重伤害。

保存所有警告和说明书以备查阅。

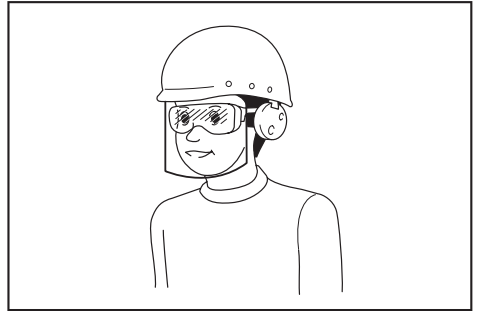
培训

1. 请仔细阅读说明。熟悉控制和正确操作机器的方法。
2. 切勿让儿童和体力不支、有感觉障碍及心智不健全或缺乏经验和知识的人员以及不熟悉操作说明的人员使用机器。当地法规可能会限制操作人员的年龄。
3. 切勿在附近有人（特别是儿童）或宠物的情况下操作机器。

4. 操作时要时刻谨记，如果给他人及其财产造成损失，操作者或用户要为此负责。

准备

1. 操作机器时，请务必穿戴厚实的鞋子和长裤。
2. 请勿穿着宽松的衣服或佩戴首饰，它们可能会被吸入进气口。使头发远离进气口。
3. 使用电动工具时请始终佩戴护目镜以免伤害眼睛。护目镜须符合美国ANSI Z87.1、欧洲EN 166或者澳大利亚/新西兰的AS/NZS 1336的规定。在澳大利亚/新西兰，法律要求佩戴面罩保护脸部。



雇主有责任监督工具操作者和其他近工作区域人员佩戴合适的安全防护设备。

4. 为防止灰尘引起的过敏，建议佩戴面罩。
5. 操作机器期间，务必始终穿戴防滑防护鞋。防滑、闭趾安全靴和鞋可减少受伤风险。
6. 使用个人防护装置。始终佩戴护目镜。防护装置，诸如适当条件下使用防尘面具、防滑安全鞋、安全帽、听力防护等装置能减少人身伤害。

操作

1. 关闭机器电源并取出电池组，确保所有运动部件已完全停止
 - 离开机器时。
 - 清除堵塞物前。
 - 检查、清洁或处理机器前。
 - 如果机器开始异常振动时。
 - 将机器从吹风机模式转换为集尘器模式时，反之亦然。
2. 仅可在光线充足或良好照明的情况下操作机器。
3. 操作时手不要伸得太长，务必始终保持身体平衡，立足稳定。
4. 在斜坡上时确保立足稳固。
5. 操作时请行走，切勿跑动。
6. 确保冷却进气口无碎片。

7. 在使用本机器进行吹风机操作时，不得朝向附近的人吹扫碎片。在使用本机器进行抽吸操作时，小心不要让集尘袋排出的气体将碎片吹向附近的人。
8. 请在建议的位置和稳固的表面上操作机器。
9. 请勿在高空操作机器。
10. 使用机器时，切勿将喷嘴对准附近的人员。
11. 切勿堵塞进气口和 / 或吹气口。
 - 在灰尘较大的区域内操作时，请注意避免吹风机吸气口或出气口被灰尘或污垢阻塞。
 - 请勿使用非Makita（牧田）提供的喷嘴。
 - 请勿将吹风机用于膨胀气球、橡皮艇或类似物品。
12. 请勿在打开的窗户等区域附近操作机器。
13. 建议在适宜的时间段（不要在早上或深夜）操作机器，以避免扰民。
14. 建议在吹风前使用耙子和扫帚等分散碎片。
15. 如果机器撞击到异物或开始产生任何异常的噪音或振动，请立即关闭机器使其停止运行。在重新启动、操作机器前，请取出机器的电池组并检查机器有无损坏。如机器损坏，请联系Makita（牧田）授权的维修服务中心进行修复。
16. 请勿将手指和其它物品插入进气口或吹气口。
17. 防止意外启动。在插入电池组、拿起或搬运机器之前，请确保开关处于关闭位置。搬运机器时手指放在开关上或者在开关打开的情况下对机器通电可能会导致意外事故发生。
18. 切勿吹扫或抽吸危险材料，例如钉子、玻璃碎片或刀片。
19. 请勿在可燃物附近操作机器。
20. 避免在低温环境下长时间操作机器。
21. 在使用本机器进行吹风操作时，若搭配使用带肩带的电池连接转换器，请勿在肩带连接在机器的情况下操作机器。
22. 在背负集尘袋进行抽吸操作时，请勿将本机器与带肩带的电池连接转换器搭配使用。

保养和存放

1. 保证所有螺母、螺栓和螺丝都已拧紧，确保机器处于安全的工作状态。
2. 若部件磨损或损坏，请使用Makita（牧田）提供的部件进行更换。
3. 将机器存放于儿童接触不到的干燥区域。
4. 将机器停机以便检查、维修、存放或更换附件时，请将机器关闭，在确保所有运动部件均已完全停止后取下电池组。对机器进行任何操作之前，请确保机器完全冷却。精心保养机器并保持清洁。
5. 存放机器前应确保其已完全冷却。
6. 请勿使机器暴露在雨水中。请将机器存放在室内。
7. 抬起机器时请务必屈膝，并注意避免伤及背部。

电池式工具使用和注意事项

1. 仅使用生产者规定的充电器充电。将适用于某种电池包的充电器用到其他电池包时可能会发生着火危险。
2. 仅使用配有专用电池包的电动工具。使用其他电池包可能会产生伤害和着火危险。
3. 当电池包不用时，将它远离其他金属物体，例如回形针、硬币、钥匙、钉子、螺钉或其他小金属物体，以防电池包一端与另一端连接。电池组端部短路可能会引起燃烧或着火。
4. 在滥用条件下，液体可能会从电池组中溅出；应避免接触。如果意外碰到液体，用水冲洗。如果液体碰到了眼睛，还应寻求医疗帮助。从电池中溅出的液体可能会发生腐蚀或燃烧。
5. 不要使用损坏或改装过的电池包或工具。损坏或改装过的电池组可能呈现无法预测的结果，导致着火、爆炸或伤害。
6. 不要将电池包暴露于火或高温中。电池包暴露于火或高于130 °C的高温中可能导致爆炸。
7. 遵循所有充电说明。不要在说明书中指定的温度范围之外给电池包或电动工具充电。不正确或在指定的温度范围外充电可能会损坏电池和增加着火的风险。

电气和电池安全

1. 请勿将电池弃于火中。否则会引起电池爆炸。请查阅当地法规了解适当的特殊处理说明。
2. 请勿打开或拆解电池。溢出的电解质具有腐蚀性，可能会对眼睛或皮肤造成损伤。吞服则有致毒危险。

3. 请勿在雨中或潮湿的地方充电。
4. 勿在室外对电池充电。
5. 请勿用湿手操作充电器，包括充电器插头和充电器端子。
6. 避免危险的环境。请勿在潮湿或淋雨的环境下使用工具。工具受潮将增加触电的危险。

维修

1. 让专业维修人员使用相同的备件维修电动工具。这将保证所维修的电动工具的安全。
2. 决不能维修损坏的电池包。电池包仅能由生产者或其授权的维修服务商进行维修。

请保留此说明书。

警告： 请勿为图方便或因对产品足够熟悉（由于重复使用而获得的经验）而不严格遵守相关产品安全规则。
使用不当或不遵循使用说明书中的安全规则会导致严重的人身伤害。

电池组的重要安全注意事项

1. 在使用电池组之前，请仔细阅读所有的说明以及 (1) 电池充电器，(2) 电池，以及 (3) 使用电池的产品的警告标记。
2. 切勿拆卸或改装电池组。否则可能引起火灾、过热或爆炸。
3. 如果机器运行时间变得过短，请立即停止使用。否则可能会导致过热、起火甚至爆炸。
4. 如果电解液进入您的眼睛，用清水将其冲洗干净并立即就医。否则可能会导致视力受损。
5. 请勿使电池组短路：
 - (1) 请勿使任何导电材料碰到端子。
 - (2) 避免将电池组与其他金属物品如钉子、硬币等放置在同一容器内。
 - (3) 请勿将电池组置于水中或使其淋雨。电池短路将产生大的电流，导致过热，并可能导致起火甚至击穿。
6. 请勿在温度可能达到或超过 50°C (122°F) 的场所存放以及使用工具和电池组。
7. 即使电池组已经严重损坏或完全磨损，也请勿焚烧电池组。电池组会在火中爆炸。
8. 请勿对电池组射钉，或者切割、挤压、抛掷、掉落电池组，又或者用硬物撞击电池组。否则可能引起火灾、过热或爆炸。
9. 请勿使用损坏的电池。

10. 本工具附带的锂离子电池需符合危险品法规要求。

第三方或转运代理等进行商业运输时，应遵循包装和标识方面的特殊要求。有关运输项目的准备作业，咨询危险品方面的专业人士。同时，请遵守可能更为详尽的国家法规。

请使用胶布保护且勿遮掩表面的联络信息，并牢固封装电池，使电池在包装内不可动。

11. 丢弃电池组时，需将其从工具上卸下并在安全地带进行处理。关于如何处理废弃的电池，请遵循当地法规。
12. 仅将电池用于 Makita (牧田) 指定的产品。将电池安装至不兼容的产品会导致起火、过热、爆炸或电解液泄漏。
13. 如长时间未使用工具，必须将电池从工具内取出。
14. 使用工具期间以及使用工具之后，电池组温度可能较高易引起灼伤或低温烫伤。处理高温电池组时请小心操作。
15. 在使用工具后请勿立即触碰工具的端子，否则可能引起灼伤。
16. 避免锯屑、灰尘或泥土卡入电池组的端子、孔口和凹槽内。否则可能导致工具或电池组性能下降或故障。
17. 除非工具支持在高压电源线路附近使用，否则请勿在高压电源线路附近使用电池组。否则可能导致工具或电池组故障或失常。
18. 确保电池远离儿童。

请保留此说明书。

小心： 请仅使用 Makita (牧田) 原装电池。使用非 Makita (牧田) 原装电池或经过改装的电池可能会导致电池爆炸，从而造成火灾、人身伤害或物品受损。同时也会导致牧田工具和充电器的牧田保修服务失效。

保持电池最大使用寿命的提示

1. 在电池组电量完全耗尽前及时充电。发现工具电量低时，请停止工具操作，并给电池组充电。
2. 请勿对已充满电的电池组重新充电。过度充电将缩短电池的使用寿命。
3. 请在 10°C - 40°C (50°F - 104°F) 的室温条件下给电池组充电。请在灼热的电池组冷却后再充电。
4. 不使用电池组时，请将其从工具或充电器上拆除。

5. 如果电池组长时间（超过六个月）未使用，请给其充电。

装配

⚠️小心：对机器进行任何装配操作前，请务必关闭机器的电源并取出电池组。

注意：操作机器之前，请务必完整装配机器。否则机器将无法工作。

吹扫组件

安装或拆下吹风管和喷嘴

1. 将吹风管安装在主机上。

按照图示将吹风管插入主机中，同时确保螺栓朝向左侧。按照图示旋转吹风管，使螺栓与主机中的孔对齐，然后使用六角扳手将螺栓拧紧牢固。

▶ **图片1：** 1. 螺栓 2. 吹风管

2. 将吹风管上的凸起部分与端部喷嘴上的凹槽对齐，然后将端部喷嘴固定在吹风管上，再旋转端部喷嘴将其锁定在对应位置。

▶ **图片2：** 1. 端部喷嘴 2. 吹风管

要拆下吹风管和端部喷嘴时，请按照与安装步骤相反的顺序进行操作。

注：如图所示，移动喷嘴即可改变喷嘴的长度。

▶ **图片3：** 1. 端部喷嘴 2. 吹风管

安装或拆下扁喷嘴或延长喷嘴

选购附件

将扁喷嘴或延长喷嘴安装在端部喷嘴上，然后旋转将其锁定在对应位置。

▶ **图片4：** 1. 扁喷嘴 2. 延长喷嘴 3. 适配管

您也可以将扁喷嘴或延长喷嘴安装在吹风管上。

▶ **图片5：** 1. 扁喷嘴 2. 延长喷嘴 3. 吹风管

要拆下扁喷嘴或延长喷嘴时，请按照与安装步骤相反的顺序进行操作。

安装排水沟喷嘴

选购附件

排水沟喷嘴可以安装在吹风机上。需要此型号专用的适配管来安装排水沟喷嘴。详情请参阅排水沟喷嘴随附的使用说明书。

安装肩带

⚠️小心： 确保用肩带的挂钩牢牢挂住机器。如果挂钩未挂牢，可能会掉落并导致人身伤害。

⚠️小心： 务必使用本工具专用的肩带。使用其他肩带可能会导致人身伤害。

⚠️小心： 将机器与便携电源装置等背负式电源组合使用时，请勿使用机器包装中附送的肩带，而应使用Makita（牧田）推荐的悬挂束带。

若同时佩戴机器包装中附送的肩带和背负式电源肩带，遭遇紧急情况时将难以卸下机器或背负式电源，由此可能会发生意外或导致人身伤害。有关推荐的悬挂束带，请咨询Makita（牧田）授权的维修服务中心。

按照图中所示方法将肩带的挂钩挂至机器。

▶ **图片6：** 1. 挂钩

用户可快速解开肩带。只需挤压带扣两侧即可使机器脱离肩带。

▶ **图片7：** 1. 带扣

▶ **图片8：** 1. 带扣

抽吸组件

⚠️小心： 在进行抽吸操作时，请始终将吸风嘴连接在吸风管上。

⚠️小心： 为确保操作安全，吸风嘴与吸风管装配在一起后不得拆分。完成装配后，请勿用力拆除吸风嘴。否则可能会导致其损坏。

安装或拆下吸风管和吸嘴

选购附件

1. 将吸风嘴上的三角形标记与吸风管上的标记对齐，然后将吸风嘴插入吸风管内直至吸嘴上的锁扣卡入对应位置为止。

▶ **图片9：** 1. 吸风嘴 2. 吸风管 3. 三角形标记

2. 使用六角扳手拧松风扇罩上的螺栓，然后打开风扇罩。

▶ **图片10：** 1. 螺栓 2. 风扇罩 3. 六角扳手

3. 将吸风管上的三角形标记与主机上的¹⁰标记对齐，然后将吸风管安装于主机上。

▶ **图片11：** 1. 吸风管 2. 三角标记

3. ¹⁰ 标记

4. 顺时针旋转吸风管，使管子上的螺栓与主机上的孔对齐，然后使用六角扳手将螺栓拧紧牢固，以将管子固定在主机上。

▶ **图片12:** 1. 吸风管 2. 螺栓

要拆下吸风管和吸嘴时，请按照与安装步骤相反的顺序进行操作。

安装或拆下弯管和集尘袋

选购附件

1. 按照图示，将弯管插入集尘袋内，然后锁紧皮带将弯管固定。

▶ **图片13:** 1. 集尘袋 2. 弯管 3. 皮带

2. 将弯管安装在主机上。

按照图示将弯管插入主机中，同时确保螺栓朝向左侧。按照图示旋转弯管，使螺栓与主机中的孔对齐，然后使用六角扳手将螺栓拧紧牢固。

▶ **图片14:** 1. 螺栓 2. 弯管

3. 按照图中所示方法将集尘袋的挂钩挂至子把手。

调整肩带长度，然后折起并使用粘带扣固定多余的肩带。

▶ **图片15:** 1. 挂钩 2. 子把手

4. 按照图中所示方法将肩带的挂钩挂至搬运把手和子把手。

确保带扣位于搬运把手侧。

▶ **图片16:** 1. 挂钩 2. 搬运把手 3. 子把手
4. 带扣

要拆下集尘袋和弯管时，请按照与安装步骤相反的顺序进行操作。

安装小型集尘袋时，打开紧固装置，将弯管插入集尘袋，然后关闭紧固装置。锁住并拉紧带子，固定弯管。

▶ **图片17:** 1. 紧固装置 2. 集尘袋 3. 带子
4. 弯管

功能描述

⚠️小心： 调节或检查本机功能之前，请务必关闭机器并取出电池组。

安装或拆卸电池组

⚠️小心： 安装或拆卸电池组之前，请务必关闭机器电源。

⚠️小心： 安装或拆卸电池组时，请握紧机器和电池组。否则它们可能从您的手中滑落，导致机器和电池组受损，甚至造成人身伤害。

⚠️小心： 务必完全装入电池组，直至看不见红色指示灯。否则它可能会意外从机器中脱落，从而造成自身或他人受伤。

⚠️小心： 请勿强行安装电池组。如果电池组难以插入，可能是插入方法不当。

▶ **图片18:** 1. 红色指示器 2. 按钮 3. 电池组

拆卸电池组时，滑动电池组前侧的按钮，同时将电池组从机器中滑出。

安装电池组时，要将电池组上的舌簧与外罩上的凹槽对齐，然后推滑到位。将其完全插入到位，直到电池组被锁定并发出卡嗒声为止。如果插入后仍能看到按钮上侧的红色指示器，则说明电池组未完全锁紧。

显示电池的剩余电量

仅限带指示灯的电池组

▶ **图片19:** 1. 指示灯
2. CHECK (查看) 按钮

按电池组上的CHECK (查看) 按钮可显示电池剩余电量。指示灯将亮起数秒。

指示灯			剩余电量
■ 点亮	□ 熄灭	▧ 闪烁	
■ ■ ■ ■			75%至100%
■ ■ ■ □			50%至75%
■ ■ □ □			25%至50%
■ □ □ □			0%至25%
▧ □ □ □			给电池充电。
■ ■ □ □ ↑ ↓ □ □ ■ ■			电池可能出现故障。

注：在不同的使用条件及环境温度下，指示灯所示电量可能与实际情况略有不同。

注：当电池保护系统启动时，第一个（最左侧）指示灯将闪烁。

机器 / 电池保护系统

本机器配备有机器/电池保护系统。该系统可自动切断机电源以延长机器和电池寿命。作业时，如果机器或电池处于以下任一情况时，工具将会自动停止运转：

过载保护

若机器或电池的运行导致电流异常高时，机器会自动停止运转，并且模式1指示灯将闪烁绿光。在这种情况下，请关闭机器并停止导致机器过载的应用程序。然后开启机器重新启动。

过热保护

机器或电池过热时，机器会自动停止运转，并且模式1指示灯将亮起红光。在这种情况下，请稍候机器和电池冷却后再重新开启机器。

过放电保护

电池电量不足时，机器会自动停止运转，并且模式1指示灯将闪烁红光。此时，请取出机器中的电池并予以充电。

主电源开关

警告：不使用时，务必关闭主电源开关。

按主电源开关打开机器。模式1和模式2指示灯将亮起绿光。如需关闭，请按住主电源开关直至模式1指示灯和模式2指示灯熄灭为止。

► **图片20：** (1) 模式1指示灯 (2) 模式2指示灯 (3) 主电源开关

您可以在抽吸模式下使用机器。抽吸模式下的吸入量比普通模式的吸入量小。

开启机器时，机器会在正常模式下启动。如需在抽吸模式下使用机器，请先开启机器再按下主电源开关。模式2指示灯将熄灭，仅模式1指示灯亮起绿光。再次按下主电源开关后，机器将恢复正常模式，模式1和模式2指示灯将呈绿色亮起。

注：如果在不可操作的条件下操作机器，模式1指示灯将闪烁绿光。在以下任一情况中，指示灯会闪烁。

- 当风扇罩或吸风管上的螺栓未拧紧，或者吹风管或弯管上的螺栓未拧紧时，扣动开关扳机。
- 当控制杆未完全返回关闭位置，或者正在扣动开关扳机时，机器将被开启。

注：本机器采用自动关机功能。为避免意外启动，在打开主电源开关后的一段时间内如未扣动开关扳机，主电源开关将自动关闭。

开关操作

警告：在将电池组安装至机器之前，请务必检查开关扳机是否能扣动自如，松开时能否退回至“OFF”（关闭）位置。

► **图片21：** 1. 开关扳机

要启动机器时，扣动开关扳机即可。随着在开关扳机上施加压力的增大，机器速度将会提高。松开开关扳机，机器即停止。

恒速控制功能

恒速控制功能可使操作者保持恒定的速度而不用拉扳机。要提高速度，请向前转动控制杆。要降低速度，请向后转动控制杆。

► **图片22：** 1. 控制杆

六角扳手的存放

不使用时，请贮存六角扳手（如图所示）以防丢失。

► **图片23：** 1. 六角扳手

防止意外重启功能

当扣动开关扳机，或者控制杆未置于关闭位置时开启机器，机器将无法启动。要启动机器，请首先松开开关扳机，然后使控制杆完全复位，再开启机器。

电子功能

本机器配备了电子功能以便操作。

- 恒速控制
速度控制功能可保持转速恒定，而无论负载如何。

操作

⚠小心：电源打开时，请勿将机器放在地上。否则沙尘可能会进入进气口，这可能会导致机器故障或造成人身伤害。

吹风机操作

⚠小心：在进行吹扫时，请务必将吸风管、吸风嘴、弯管和集尘袋从机器上拆下，然后将吹风管和喷嘴安装在机器上。

单手紧握机器，缓慢移动以进行吹扫操作。当在建筑物、大的石块或车辆周围进行吹扫作业时，请使喷嘴避开上述物体。当在角落位置进行作业时，请先吹扫角落，然后移至宽阔区域。

► 图片24

抽吸操作

⚠小心：在进行抽吸操作时，请务必将吸风管和喷嘴从机器上拆下，然后将吸风管、吸风嘴、弯管、集尘袋和肩带安装在机器上。

⚠小心：时常检查集尘袋是否有磨损或劣化。

⚠小心：操作机器之前，请务必将集尘袋的紧固装置系紧。

⚠小心：在解开或系紧集尘袋紧固装置之前，请始终关闭机器。

⚠小心：操作机器前，调整肩带长度以免集尘袋接触地面。

注意：避免机器吸入潮湿的树叶等潮湿材料，以及大尺寸木片、金属、玻璃、卵石等异物。否则可能会导致机器故障。

注意：在集尘袋盛满之前将其清空。否则可能会导致机器故障。

注意：为避免吸入异物，建议在抽吸模式下操作机器。

1. 如图所示，将肩带放到肩上。调节肩带的长度。

► 图片25: 1. 肩带 2. 搬运把手 3. 子把手
4. 集尘袋

2. 应用右手握持搬运把手，另一只手握持子把手。

确保带扣位于正面。

► 图片26: 1. 带扣

3. 操作机器时，请调节开关扳机，使吸力适合工作地点和环境。

保养

⚠小心：检查或保养机器之前，请务必关闭机器并取出电池组。

为了保证产品的安全与可靠性，维修、任何其他维修保养或调节需由Makita（牧田）授权的或工厂维修服务中心完成。务必使用Makita（牧田）的替换部件。

清洁机器

用干布或浸有肥皂水并且拧干的布擦拭机器上的灰尘。

注意：切勿使用汽油、苯、稀释剂、酒精或类似物品清洁工具。否则可能会导致工具变色、变形或出现裂缝。

清除吸气口处的灰尘或污垢。

► 图片27: 1. 吸气口

故障排除

请求维修前，请首先自行检查。如果您发现本手册中有未作说明的问题，请勿拆解机器。请联络Makita（牧田）授权维修服务中心，务必使用Makita（牧田）的替换部件进行修复。

异常状态	可能原因（故障）	纠正措施
电机不旋转。	未安装电池组。	安装电池组。
	电池故障（欠压）	请给电池充电。如果充电无效，则更换电池。
	对于吹风机 未安装吹风管。 未关闭风扇罩。	安装吹风管，然后拧紧螺栓。 关闭风扇罩，然后拧紧螺栓。
	对于集尘器 未安装弯管或吸风管。	安装弯管或吸风管，然后拧紧螺栓。
	驱动系统未正常工作。	请当地授权的维修服务中心进行维修。
使用一段时间后电机不旋转。	电池电量低。	请给电池充电。如果充电无效，则更换电池。
	过热。	停止使用机器，使之冷却。
机器未达到最大速度。	电池安装不当。	按本手册所述安装电池组。
	电池电力下降。	请给电池充电。如果充电无效，则更换电池。
	驱动系统未正常工作。	请当地授权的维修服务中心进行维修。
异常振动： ⇒ 立即停止机器！	驱动系统未正常工作。	请当地授权的维修服务中心进行维修。
电机无法停止： ⇒ 立即卸下电池！	电力或电子故障。	拆下电池并请当地授权的维修服务中心进行修复。

选购附件

⚠️小心： 这些附件或装置专用于本说明书所列的Makita（牧田）产品。使用其他附件或装置存在人身伤害风险。仅可将附件或装置用于规定目的。

如您需要了解更多关于这些选购附件的信息，请咨询当地的Makita（牧田）维修服务中心。

- 集尘器套件
- 延长喷嘴
- 扁喷嘴
- 排水沟喷嘴
- 适配管
- 肩带
- 小型集尘袋
- Makita（牧田）原装电池和充电器

注： 本列表中的一些部件可能作为标准配件包含于产品包装内。它们可能因销往国家之不同而异。

SPEKIFIKASI

Model:		DUB363
Kapasitas	Volume udara	0 - 13,4 m ³ /min
	Kecepatan udara (rata-rata)	0 - 54 m/s
	Kecepatan udara (maks.)	0 - 65 m/s
Dimensi (P x L x T) *1		341 mm x 193 mm x 415 mm
Tegangan terukur		D.C. 36 V
Berat bersih	Blower *2	4,5 - 5,2 kg
	Vakum *3	6,0 - 6,6 kg

- *1. Tanpa pipa, nosel, kantong debu, tali bahu, dan kartrid baterai.
- *2. Dengan pipa peniup, ujung nosel dan nosel datar, dan tanpa pipa pengisap, nosel pengisap, pipa siku, kantong debu, dan tali bahu.
- *3. Dengan pipa pengisap, nosel pengisap, pipa siku, kantong debu dan tali bahu, serta tanpa pipa peniup, ujung nosel dan nosel datar.
- Karena kesinambungan program penelitian dan pengembangan kami, spesifikasi yang disebutkan di sini dapat berubah tanpa pemberitahuan.
 - Spesifikasi dapat berbeda dari satu negara ke negara lainnya.
 - Berat alat mungkin berbeda tergantung perangkat tambahan yang dipasang, termasuk kartrid baterai. Kombinasi alat terberat dan teringan, sesuai Prosedur EPTA 01/2014, ditunjukkan pada tabel.

Kartrid dan pengisi daya baterai yang dapat digunakan

Kartrid baterai	BL1815N / BL1820B / BL1830B / BL1840B / BL1850B / BL1860B
Pengisi daya	DC18RC / DC18RD / DC18RE / DC18SD / DC18SE / DC18SF / DC18SH

- Beberapa kartrid baterai dan pengisi daya yang tercantum di atas mungkin tidak tersedia, tergantung wilayah tempat tinggal Anda.

⚠️ PERINGATAN: Hanya gunakan kartrid dan pengisi daya baterai yang tercantum di atas. Penggunaan kartrid dan pengisi daya baterai lain dapat menimbulkan risiko cedera dan/atau kebakaran.

Sumber daya terhubung kabel yang direkomendasikan

Adapter baterai	BAP182
Kemasan baterai yang tersambung kabel	BL36120A
Paket daya portabel	PDC01 / PDC1200

- Sumber daya terhubung kabel yang tercantum di atas mungkin tidak tersedia, bergantung pada wilayah tempat tinggal Anda.
- Sebelum menggunakan sumber daya terhubung kabel, baca petunjuk dan perhatian yang ditandai padanya.

Simbol

Berikut ini adalah simbol-simbol yang dapat digunakan pada peralatan ini. Pastikan Anda memahami arti masing-masing simbol sebelum menggunakan peralatan.



Berhati-hatilah dan pusatkan perhatian Anda.



Baca petunjuk penggunaan.



Jauhkan tangan dari bagian yang berputar.



Rambut yang panjang berisiko terbelit.



Jauhkan dari orang-orang di sekitar.



Gunakan pelindung mata dan pelindung telinga.



Jangan membiarkan alat terkena udara lembap.



Hanya untuk negara-negara UE
Akibat adanya komponen berbahaya dalam peralatan, limbah peralatan listrik dan elektronik, aki dan baterai dapat memiliki dampak negatif pada lingkungan dan kesehatan manusia.

Jangan buang peralatan listrik dan elektronik atau baterai bersama limbah rumah tangga!

Sesuai dengan Petunjuk Eropa tentang limbah peralatan listrik dan elektronik dan tentang aki dan baterai serta limbah aki dan baterai, serta penyesuaiannya terhadap undang-undang nasional, limbah peralatan listrik, baterai dan aki harus disimpan secara terpisah dan dikirim ke tempat pengumpulan terpisah untuk sampah kota, beroperasi sesuai dengan peraturan tentang perlindungan lingkungan.

Hal ini ditunjukkan dengan simbol tempat sampah bersilang yang ditempatkan pada peralatan.



Level kekuatan suara terjamin sesuai dengan Petunjuk Kebisingan Di Luar Ruang Uni Eropa.



Level kekuatan suara sesuai dengan Peraturan Kontrol Kebisingan NSW Australia

Penggunaan

Mesin ini ditujukan untuk pekerjaan meniup dan mengisap debu.

PERINGATAN KESELAMATAN

Peringatan Keselamatan Blower Tanpa Kabel

▲PERINGATAN: Bacalah semua peringatan keselamatan dan semua petunjuk. Kelalaian mematuhi peringatan dan petunjuk dapat menyebabkan sengatan listrik, kebakaran dan/atau cedera serius.

Simpanlah semua peringatan dan petunjuk untuk acuan di masa depan.

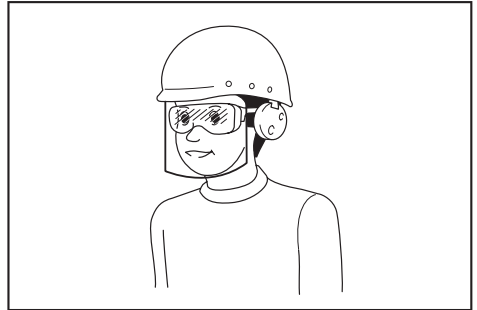
Pelatihan

1. **Baca petunjuk dengan saksama. Pahami kontrol dan cara penggunaan mesin yang benar.**
2. **Anak kecil, orang dengan kemampuan fisik, indera, atau mental yang terbatas atau orang awam atau orang yang tidak dapat memahami petunjuk ini dilarang menggunakan mesin ini. Peraturan setempat mungkin membatasi usia operator.**

3. **Jangan gunakan mesin jika ada orang, khususnya anak-anak, atau binatang peliharaan di dekatnya.**
4. **Selalu ingat bahwa operator atau pengguna bertanggung jawab atas kecelakaan atau bahaya yang terjadi pada orang lain atau propertinya.**

Persiapan

1. **Selalu kenakan alas kaki dan celana panjang yang memadai saat mengoperasikan mesin.**
2. **Jangan memakai pakaian yang kedodoran atau perhiasan yang dapat terisap oleh inlet udara. Jauhkan rambut panjang dari inlet udara.**
3. **Selalu kenakan kacamata pelindung untuk melindungi mata dari cedera saat menggunakan mesin listrik. Kacamata harus sesuai dengan ANSI Z87.1 di Amerika Serikat, EN 166 di Eropa, atau AS/NZS 1336 di Australia/Selandia Baru. Di Australia/Selandia Baru, secara hukum Anda juga diwajibkan mengenakan pelindung wajah untuk melindungi wajah Anda.**



Menjadi tanggung jawab atasan untuk menerapkan penggunaan alat pelindung keselamatan yang tepat bagi operator mesin dan orang lain yang berada di area kerja saat itu.

4. **Untuk mencegah iritasi karena debu disarankan menggunakan masker wajah.**
5. **Ketika mengoperasikan mesin, selalu kenakan sepatu pelindung antiselip. Sepatu dan but pelindung antiselip yang tertutup di bagian jarinya akan mengurangi risiko cedera.**
6. **Gunakan alat pelindung diri. Selalu gunakan pelindung mata. Peralatan pelindung seperti masker debu, sepatu pengaman anti-selip, helm pengaman, atau pelindung telinga yang digunakan untuk kondisi yang sesuai akan mengurangi risiko cedera badan.**

Pengoperasian

1. **Matikan mesin, lalu lepaskan kartrid baterai dan pastikan semua bagian yang bergerak telah berhenti sepenuhnya**
 - setiap kali Anda meninggalkan mesin.
 - sebelum membersihkan sumbatan.
 - sebelum memeriksa, membersihkan atau menggunakan mesin.
 - jika mesin mulai bergetar secara tidak normal.

- setiap kali Anda mengubah mesin dari blower menjadi vakum, dan sebaliknya.
2. Gunakan mesin hanya di siang hari atau dalam kondisi cahaya yang mencukupi.
 3. Jangan meraihi terlalu jauh dan jagalah pijakan dan keseimbangan sepanjang waktu.
 4. Pastikan pijakan Anda sempurna saat berdiri di area miring.
 5. Berjalanlah, jangan berlari.
 6. Jauhkan semua inlet udara pendingin dari serpihan.
 7. Saat menggunakan mesin untuk melakukan operasi blower, jangan sekali-kali meniupkan serpihan ke arah orang di sekitar. Saat menggunakan mesin untuk melakukan operasi pengisapan, berhati-hatilah agar serpihan tidak tertiuip ke arah orang melalui udara yang keluar dari kantong debu.
 8. Gunakan mesin dalam posisi yang disarankan dan pada permukaan yang kokoh.
 9. Jangan mengoperasikan mesin di tempat yang tinggi.
 10. Jangan mengarahkan nosel kepada siapa pun dalam jarak jangkauan saat menggunakan mesin.
 11. Jangan menghalangi inlet pengisap dan/atau outlet blower.
 - Berhati-hatilah agar inlet pengisap atau outlet blower tidak tersumbat oleh debu atau kotoran saat mengoperasikan di area berdebu.
 - Jangan gunakan nosel selain yang disediakan oleh Makita.
 - Jangan menggunakan blower untuk meniup bola, perahu karet atau benda sejenisnya.
 12. Jangan mengoperasikan mesin di dekat jendela yang terbuka, dll.
 13. Disarankan menggunakan mesin pada waktu yang wajar, bukan pada pagi hari atau larut malam yang mungkin dapat mengganggu orang.
 14. Disarankan menggunakan garu dan sapu untuk membersihkan kotoran dari tanah sebelum menggunakan blower.
 15. Jika mesin meniup benda asing atau mengeluarkan suara atau getaran aneh, segera matikan mesin. Lepaskan kartrid baterai dari mesin dan periksa apakah ada kerusakan sebelum kembali menyalakan dan menggunakan mesin. Jika mesin rusak, hubungi Pusat Layanan Resmi Makita untuk memperbaikinya.
 16. Jangan memasukkan jari atau benda lain ke dalam inlet pengisap atau outlet blower.
 17. Cegah penyalaan yang tidak disengaja. Pastikan bahwa sakelar berada dalam posisi mati sebelum memasukkan kartrid baterai, mengangkat atau membawa mesin. Membawa mesin dengan jari berada di sakelar atau mengalirkan listrik pada mesin dengan sakelar hidup dapat memicu kecelakaan.
 18. Jangan pernah meniup atau mengisap material berbahaya, seperti paku, pecahan kaca, atau mata pisau.
 19. Jangan mengoperasikan mesin di dekat benda-benda yang mudah terbakar.
 20. Hindari mengoperasikan mesin dalam waktu lama di lingkungan bersuhu rendah.
 21. Saat menggunakan mesin untuk melakukan operasi blower bersama dengan adaptor baterai yang dilengkapi dengan harness bahu, jangan gunakan mesin ini dalam keadaan harness bahu terpasang ke mesin.
 22. Saat Anda mengenakan kantong debu untuk melakukan operasi pengisapan, jangan gunakan mesin ini bersama dengan adaptor baterai yang dilengkapi dengan harness bahu.
- #### Perawatan dan penyimpanan
1. Kencangkan semua mur, baut, dan sekrup pengencang untuk memastikan bahwa mesin aman untuk digunakan.
 2. Jika komponen aus atau rusak, ganti dengan komponen yang disediakan oleh Makita.
 3. Simpan mesin di tempat yang kering dan jauh dari jangkauan anak-anak.
 4. Saat Anda menghentikan mesin untuk melakukan pemeriksaan, servis, penyimpanan, atau penggantian aksesori, matikan mesin dan pastikan semua komponen yang bergerak telah berhenti sepenuhnya, lalu keluarkan kartrid baterai. Dinginkan mesin sebelum melakukan perbaikan pada mesin. Rawat mesin dengan hati-hati dan jaga kebersihannya.
 5. Selalu biarkan mesin menjadi dingin sebelum disimpan.
 6. Jangan membiarkan mesin terkena hujan. Simpan mesin di dalam ruangan.
 7. Saat mengangkat mesin, pastikan untuk menekuk lutut dan berhati-hati agar tidak mencederai punggung.
- #### Penggunaan dan pemeliharaan mesin bertenaga baterai
1. Isi ulang baterai hanya dengan pengisi daya yang ditentukan oleh pabrik. Pengisi daya yang cocok untuk satu jenis paket baterai dapat menimbulkan risiko kebakaran ketika digunakan untuk paket baterai yang lain.
 2. Gunakan mesin listrik hanya dengan paket baterai yang telah ditentukan secara khusus. Penggunaan paket baterai lain dapat menimbulkan risiko cedera dan kebakaran.
 3. Ketika paket baterai tidak digunakan, jauhkan dari benda logam lain, seperti penjepit kertas, uang logam, kunci, paku, sekrup atau benda logam kecil lainnya, yang dapat menghubungkan satu terminal ke terminal lain. Hubungan singkat terminal baterai dapat menyebabkan luka bakar atau kebakaran.
 4. Pemakaian yang salah, dapat menyebabkan keluarnya cairan dari baterai; hindari kontak. Jika terjadi kontak secara tidak sengaja, bilas dengan air. Jika cairan mengenai mata, cari bantuan medis. Cairan yang keluar dari baterai bisa menyebabkan iritasi atau luka bakar.

5. **Jangan menggunakan paket baterai atau mesin yang sudah rusak atau telah diubah.** Baterai yang rusak atau telah diubah dapat menyebabkan hal-hal yang tidak dapat diprediksi yang dapat menyebabkan kebakaran, ledakan atau risiko cedera.
6. **Jangan membiarkan paket baterai atau mesin dekat dengan api atau suhu yang berlebihan.** Pajanan api atau suhu di atas 130 °C dapat menyebabkan ledakan.
7. **Ikuti semua petunjuk pengisian daya dan jangan mengisi daya paket baterai atau mesin di luar rentang suhu yang ditentukan di panduan.** Mengisi daya secara tidak tepat atau pada suhu di luar rentang yang ditentukan dapat merusak baterai dan meningkatkan risiko kebakaran.

Keselamatan listrik dan baterai

1. **Jangan buang baterai ke nyala api.** Sel baterai dapat meledak. Periksa kode setempat untuk petunjuk pembuangan khusus yang memungkinkan.
2. **Jangan buka atau bongkar baterai.** Elektrolit yang terlepas bersifat korosif dan dapat melukai mata atau kulit. Zat tersebut dapat beracun jika tertelan.
3. **Jangan mengisi daya baterai saat hujan, atau di lokasi yang basah.**
4. **Jangan mengisi daya baterai di luar ruangan.**
5. **Jangan memegang pengisi daya, termasuk steker pengisi daya, dan terminal pengisi daya dengan tangan basah.**
6. **Hindari lingkungan yang berbahaya.** Jangan gunakan mesin di lokasi yang lembap dan basah, atau membiarkannya terkena hujan. Air yang masuk ke dalam mesin akan meningkatkan risiko sengatan listrik.

Servis

1. **Berikan mesin listrik untuk diperbaiki hanya kepada oleh teknisi yang berkualifikasi dengan menggunakan hanya suku cadang pengganti yang serupa.** Hal ini akan menjamin terjaganya keamanan mesin listrik.
2. **Jangan pernah memperbaiki paket baterai yang sudah rusak.** Perbaikan paket baterai harus dilakukan hanya oleh produsen atau penyedia servis resmi.

SIMPAN PETUNJUK INI.

⚠️PERINGATAN: JANGAN biarkan kenyamanan atau terbiasanya Anda dengan produk (karena penggunaan berulang) mengurangi kepatuhan yang ketat terhadap aturan keselamatan untuk produk yang terkait.

PENYALAHGUNAAN atau kelalaian mematuhi kaidah keselamatan yang tertera dalam petunjuk ini dapat menyebabkan cedera badan serius.

Petunjuk keselamatan penting untuk kartrid baterai

1. **Sebelum menggunakan kartrid baterai, bacalah semua petunjuk dan penandaan pada (1) pengisi daya baterai, (2) baterai, dan (3) produk yang menggunakan baterai.**
2. **Jangan membongkar atau memodifikasi kartrid baterai.** Tindakan tersebut dapat menimbulkan api, panas berlebih, atau ledakan.
3. **Jika waktu beroperasinya menjadi sangat singkat, segera hentikan penggunaan.** Hal tersebut dapat menimbulkan risiko panas berlebih, kemungkinan mengalami luka bakar atau bahkan terjadi ledakan.
4. **Jika elektrolit mengenai mata Anda, basuh dengan air bersih dan segera cari pertolongan medis.** Hal tersebut dapat mengakibatkan hilangnya kemampuan penglihatan Anda.
5. **Jangan menghubungkan terminal kartrid baterai:**
 - (1) **Jangan menyentuh terminal dengan bahan penghantar listrik apa pun.**
 - (2) **Hindari menyimpan kartrid baterai pada wadah yang berisi benda logam lain seperti paku, uang logam, dsb.**
 - (3) **Jangan membiarkan baterai terkena air atau kehujanan.**
6. **Jangan menyimpan dan menggunakan mesin dan kartrid baterai pada lokasi dengan suhu yang bisa mencapai atau melebihi 50 °C (122 °F).**
7. **Jangan membuang kartrid baterai di tempat pembakaran sampah walaupun benar-benar rusak atau tidak bisa digunakan sama sekali.** Kartrid baterai bisa meledak jika terbakar.
8. **Jangan memaku, memotong, menghancurkan, melempar, menjatuhkan kartrid baterai, atau memukulkan benda keras ke kartrid baterai.** Tindakan tersebut dapat menimbulkan api, panas berlebih, atau ledakan.
9. **Jangan menggunakan baterai yang rusak.**
10. **Baterai litium-ion yang disertakan sesuai dengan persyaratan Perundangan Makanan Berbahaya.**

Harus ada pengawasan untuk pengangkutan komersial misalnya oleh pihak ketiga, ekspeditor, persyaratan khusus terhadap pengemasan dan pelabelan.

Diperlukan adanya konsultasi dengan ahli mengenai material berbahaya untuk persiapan barang yang akan dikirimkan. Perhatikan pula peraturan nasional yang lebih terperinci yang mungkin ada.

Beri perekat atau tutupi bagian yang terbuka dan kemasi baterai dengan cara yang tidak akan menimbulkan pergeseran dalam pengemasan.

11. Ketika membuang kartrid baterai, lepaskan dari mesin dan buang ke tempat yang aman. Patuhi peraturan setempat yang berkaitan dengan pembuangan baterai.
12. Gunakan baterai hanya dengan produk yang ditentukan oleh Makita. Memasang baterai pada produk yang tidak sesuai dapat menyebabkan kebakaran, kelebihan panas, ledakan, atau kebocoran elektrolit.
13. Jika mesin tidak digunakan dalam jangka waktu yang lama, baterai harus dilepas dari mesin.
14. Selama dan setelah digunakan, kartrid baterai mungkin menyimpan panas yang dapat menyebabkan luka bakar atau luka bakar suhu rendah. Perhatikan cara memegang kartrid baterai yang masih panas.
15. Jangan langsung menyentuh terminal mesin setelah digunakan karena suhunya mungkin cukup panas untuk menyebabkan luka bakar.
16. Jangan biarkan serpihan, debu, atau tanah menempel di terminal, lubang, dan alur kartrid baterai. Hal tersebut dapat mengakibatkan kinerja buruk atau kerusakan mesin maupun kartrid baterai.
17. Kecuali jika mesin mendukung penggunaan di dekat saluran listrik bertegangan tinggi, jangan gunakan kartrid baterai di dekat saluran listrik bertegangan tinggi. Hal tersebut dapat mengakibatkan kegagalan fungsi atau kerusakan mesin maupun kartrid baterai.
18. Jauhkan baterai dari jangkauan anak-anak.

SIMPAN PETUNJUK INI.

⚠PERHATIAN: Gunakan baterai asli Makita. Penggunaan baterai Makita yang tidak asli, atau baterai yang sudah diubah, akan mengakibatkan baterai mudah terbakar, cedera dan kerusakan. Akan menghilangkan garansi Makita pada pengisi daya dan alat Makita.

Tip untuk menjaga agar umur pemakaian baterai maksimum

1. Isi ulang kartrid baterai sebelum habis sama sekali. Selalu hentikan penggunaan mesin dan ganti kartrid baterai jika Anda melihat bahwa mesin kurang tenaga.
2. Jangan pernah mengisi ulang kartrid baterai yang sudah diisi penuh. Pengisian ulang yang berlebih memperpendek umur pemakaian baterai.
3. Isi ulang kartrid baterai pada suhu ruangan 10 °C - 40 °C. Biarkan kartrid baterai yang panas menjadi dingin terlebih dahulu sebelum diisi ulang.
4. Saat kartrid baterai tidak digunakan, lepaskan dari mesin atau pengisi daya.
5. Isi ulang daya kartrid baterai jika Anda tidak menggunakannya untuk jangka waktu yang lama (lebih dari enam bulan).

PERAKITAN

⚠PERHATIAN: Selalu pastikan bahwa mesin dimatikan dan kartrid baterai dilepas sebelum melakukan pekerjaan apa pun pada mesin.

PEMBERITAHUAN: Sebelum mengoperasikan mesin, pastikan untuk merakit mesin sepenuhnya. Jika tidak, mesin tidak akan berfungsi.

Perakitan untuk meniup

Memasang atau melepas pipa dan nosel peniup

1. Pasang pipa peniup ke unit utama.

Masukkan pipa peniup ke unit utama dengan baut menghadap ke kiri seperti yang ditunjukkan pada gambar. Putar pipa peniup seperti yang ditunjukkan pada gambar sehingga baut sejajar dengan lubang pada unit utama, kemudian kencangkan baut dengan kuat menggunakan kunci L.

► **Gbr.1:** 1. Baut 2. Pipa peniup

2. Sejajarkan tonjolan pada pipa peniup dengan alur pada ujung nosel, kemudian pasang ujung nosel ke pipa peniup, kemudian putar ujung nosel untuk menguncinya.

► **Gbr.2:** 1. Ujung nosel 2. Pipa peniup

Untuk melepaskan pipa peniup dan ujung nosel, ikuti prosedur pemasangan dengan urutan terbalik.

CATATAN: Panjang nosel dapat diubah dengan menggerakkan nosel seperti ditunjukkan pada gambar.

► **Gbr.3:** 1. Ujung nosel 2. Pipa peniup

Memasang atau melepas nosel datar atau nosel ekstensi

Pilihan aksesoris

Pasang nosel datar atau nosel ekstensi ke ujung nosel, lalu putar untuk menguncinya.

► **Gbr.4:** 1. Nosel datar 2. Nosel ekstensi 3. Pipa adaptor

Anda juga dapat memasang nosel datar atau nosel ekstensi ke pipa peniup.

► **Gbr.5:** 1. Nosel datar 2. Nosel ekstensi 3. Pipa peniup

Untuk melepaskan nosel datar dan nosel ekstensi, ikuti prosedur pemasangan dengan urutan terbalik.

Memasang nosel talang

Pilihan aksesoris

Nosel talang dapat dipasang di blower. Pipa adaptor yang dirancang secara khusus untuk model ini diperlukan untuk pemasangan nosel talang.

Untuk keterangan lebih lanjut, lihat petunjuk penggunaan yang disertakan dengan nosel talang.

Memasang tali bahu

PERHATIAN: Pastikan untuk memasang kait tali bahu pada mesin dengan kuat. Jika kait tidak terpasang sempurna, kait bisa saja terlepas dan menyebabkan cedera.

PERHATIAN: Pastikan untuk menggunakan tali bahu khusus untuk alat ini. Penggunaan tali bahu lain dapat menyebabkan cedera.

PERHATIAN: Saat Anda menggunakan mesin bersama dengan pasokan daya tipe ransel seperti paket daya portabel, jangan gunakan tali bahu yang disertakan dalam paket mesin, tetapi gunakan pita penggantung yang direkomendasikan oleh Makita.

Jika Anda mengenakan tali bahu yang disertakan dalam paket mesin dan harness bahu dari pasokan daya tipe ransel pada saat yang bersamaan, melepas mesin atau pasokan daya tipe ransel akan sulit jika terjadi keadaan darurat sehingga dapat menyebabkan kecelakaan atau cedera. Untuk pita penggantung yang direkomendasikan, tanyakan ke Pusat Layanan Resmi Makita.

Pasang kait tali bahu pada mesin seperti pada gambar.

► **Gbr.6:** 1. Kait

Tali bahu dilengkapi dengan metode pelepasan cepat. Cukup tekan sisi gesper untuk melepas mesin dari tali bahu.

► **Gbr.7:** 1. Gesper

► **Gbr.8:** 1. Gesper

Perakitan untuk mengisap

PERHATIAN: Saat melakukan operasi pengisapan, selalu pasang nosel pengisap ke pipa pengisap.

PERHATIAN: Demi keamanan operasi, nosel pengisap tidak dapat dilepas dari pipa pengisap setelah keduanya dirakit. Jangan melepas nosel pengisap secara paksa setelah dirakit. Tindakan tersebut dapat merusak nosel pengisap dan pipa pengisap.

Memasang atau melepas pipa dan nosel pengisap


Pilihan Aksesori


1. Sejajarkan tanda segitiga pada nosel pengisap dengan yang ada pada pipa pengisap, kemudian masukkan nosel pengisap ke dalam pipa pengisap sampai pengunci pada nosel terkunci.

► **Gbr.9:** 1. Nosel pengisap 2. Pipa pengisap 3. Tanda segitiga

2. Kendurkan baut pada penutup kipas menggunakan kunci L, lalu buka penutup kipas.

► **Gbr.10:** 1. Baut 2. Tutup kipas 3. Kunci L

3. Sejajarkan tanda segitiga pada pipa hisap dengan tanda  pada unit utama, kemudian pasang pipa pengisap ke unit utama.

► **Gbr.11:** 1. Pipa pengisap 2. Tanda segitiga 3.  tanda

4. Putar pipa pengisap searah jarum jam sehingga baut pada pipa sejajar dengan lubang pada unit utama, kemudian kencangkan baut dengan kuat menggunakan kunci L untuk mengencangkan pipa ke unit utama.

► **Gbr.12:** 1. Pipa pengisap 2. Baut

Untuk melepaskan pipa dan nosel pengisap, ikuti prosedur pemasangan dengan urutan terbalik.

Memasang atau melepas pipa siku dan kantong debu

Pilihan Aksesori

1. Masukkan pipa siku ke dalam kantong debu, lalu kencangkan sabuk untuk memasang pipa siku seperti yang ditunjukkan pada gambar.

► **Gbr.13:** 1. Kantong debu 2. Pipa siku 3. Sabuk

2. Pasang pipa siku ke unit utama.

Masukkan pipa siku ke unit utama dengan baut menghadap ke kiri seperti yang ditunjukkan pada gambar. Putar pipa siku seperti yang ditunjukkan pada gambar sehingga baut sejajar dengan lubang pada unit utama, kemudian kencangkan baut dengan kuat menggunakan kunci L.

► **Gbr.14:** 1. Baut 2. Pipa siku

3. Pasang kait kantong debu ke anak pegangan seperti pada gambar.

Setel panjang tali, lalu lipat sisa tali dan kencangkan dengan kait dan pengencang loop.

► **Gbr.15:** 1. Kait 2. Anak pegangan

4. Pasang kait tali bahu ke gagang jinjing dan anak pegangan seperti ditunjukkan pada gambar.

Pastikan gesper berada pada sisi gagang jinjing.

► **Gbr.16:** 1. Kait 2. Gagang jinjing 3. Anak pegangan 4. Gesper

Untuk melepaskan kantong debu dan pipa siku, ikuti prosedur pemasangan dengan urutan terbalik.

Saat memasang kantong debu kecil, buka pengencangnya, lalu masukkan pipa siku ke dalam kantong debu, lalu tutup pengencangnya. Kunci dan kencangkan sabuk untuk memasang pipa siku.

► **Gbr.17:** 1. Pengencang 2. Kantong debu 3. Sabuk 4. Pipa siku

DESKRIPSI FUNGSI

PERHATIAN: Selalu pastikan bahwa mesin sudah dimatikan dan kartrid baterai dilepas sebelum menyetel atau memeriksa fungsi mesin.

Memasang atau melepas baterai

⚠️ PERHATIAN: Selalu matikan mesin sebelum memasang atau melepas kartrid baterai.

⚠️ PERHATIAN: Pegang mesin dan kartrid baterai dengan kuat saat memasang atau melepas kartrid baterai. Apabila mesin dan kartrid baterai tidak dipegang dengan kuat, mesin dapat terlepas dari tangan Anda dan mengakibatkan kerusakan pada kartrid baterai dan serta menyebabkan cedera badan.

⚠️ PERHATIAN: Selalu pasang kartrid baterai sampai indikator berwarna merah tidak terlihat. Jika tidak, kartrid baterai dapat terlepas dari mesin secara tidak sengaja, menyebabkan cedera pada Anda atau orang di sekitar Anda.

⚠️ PERHATIAN: Jangan memasang kartrid baterai secara paksa. Jika kartrid tidak bergeser dengan mudah, berarti tidak dimasukkan dengan benar.

- **Gbr.18:** 1. Indikator berwarna merah 2. Tombol 3. Kartrid baterai

Untuk melepas kartrid baterai, geser dari mesin sambil menggeser tombol pada bagian depan kartrid.

Untuk memasang kartrid baterai, sejajarkan lidah kartrid baterai dengan alur pada rumah dan masukkan ke dalam tempatnya. Masukkan seluruhnya sampai terkunci pada tempatnya dan terdengar bunyi klik kecil. Jika Anda bisa melihat indikator berwarna merah pada sisi atas tombol, berarti tidak terkunci sepenuhnya.

Mengindikasikan kapasitas baterai yang tersisa

Hanya untuk kartrid baterai dengan indikator

- **Gbr.19:** 1. Lampu indikator 2. Tombol pemeriksaan

Tekan tombol pemeriksaan pada kartrid baterai untuk melihat kapasitas baterai yang tersisa. Lampu indikator menyala selama beberapa detik.

Lampu indikator			Kapasitas yang tersisa
Menyala	Mati	Berkedip	
			75% hingga 100%
			50% hingga 75%
			25% hingga 50%
			0% hingga 25%
			Isi ulang baterai.
			Baterai mungkin sudah rusak.

CATATAN: Tergantung kondisi penggunaan dan suhu lingkungannya, penunjukkan mungkin saja sedikit berbeda dari kapasitas sebenarnya.

CATATAN: Lampu indikator pertama (ujung kiri) akan berkedip ketika sistem perlindungan mesin bekerja.

Sistem perlindungan mesin/baterai

Mesin ini dilengkapi dengan sistem perlindungan mesin/baterai. Sistem ini memutuskan aliran daya ke motor secara otomatis untuk memperpanjang umur pakai mesin dan baterai. Mesin akan berhenti secara otomatis saat dioperasikan jika mesin atau baterai mengalami salah satu dari kondisi-kondisi berikut ini:

Perlindungan kelebihan beban

Jika mesin atau baterai digunakan dengan cara yang menjadikan baterai mengeluarkan arus tinggi yang berlebihan, mesin akan berhenti secara otomatis dan lampu untuk mode 1 berkedip hijau. Dalam situasi ini, matikan mesin dan hentikan pekerjaan yang menyebabkan peralatan mengalami kelebihan beban. Kemudian, nyalakan mesin untuk kembali melanjutkan pekerjaan.

Perlindungan panas berlebih

Saat mesin atau baterai menjadi terlalu panas, mesin akan berhenti secara otomatis dan lampu untuk mode 1 akan berkedip merah. Dalam keadaan ini, tunggu hingga mesin dan baterai mendingin sebelum dinyalakan kembali.

Perlindungan pengisian daya berlebih

Saat kapasitas baterai tidak mencukupi, mesin akan berhenti secara otomatis dan lampu untuk mode 1 akan berkedip merah. Dalam kondisi ini, lepaskan baterai dari mesin dan isi ulang daya baterai.

Sakelar daya utama

⚠️ PERINGATAN: Selalu matikan sakelar daya utama saat tidak digunakan.

Untuk menyalakan mesin, tekan sakelar daya utama. Lampu untuk mode 1 dan mode 2 menyala hijau. Untuk mematikan, terus tekan sakelar daya utama hingga lampu untuk mode 1 dan mode 2 mati.

- **Gbr.20:** (1) Lampu untuk mode 1 (2) Lampu untuk mode 2 (3) Sakelar daya utama

Anda dapat menggunakan mesin dalam mode mengisap debu. Dalam mode mengisap, volume pengisapan menjadi lebih kecil dibandingkan mode normal.

Ketika mesin dinyalakan, mesin akan berfungsi dalam mode normal. Untuk menggunakan mesin dalam mode mengisap, tekan sakelar daya utama saat mesin dinyalakan. Lampu untuk mode 2 mati dan lampu untuk mode 1 menyala hijau. Ketika Anda menekan sakelar daya utama kembali, mesin akan kembali ke mode normal, dan lampu untuk mode 1 dan mode 2 menyala hijau.

CATATAN: Lampu untuk mode 1 berkedip hijau jika mesin dioperasikan dalam kondisi yang tidak layak untuk pengoperasian. Lampu berkedip dalam salah satu kondisi berikut.

- Pelatuk sakelar ditarik, ketika baut pada penutup kipas atau pipa pengisap tidak dikencangkan dengan kuat, atau baut pada pipa peniup atau pipa siku tidak dikencangkan dengan kuat.
- Mesin dihidupkan, ketika tuas kontrol tidak sepenuhnya dikembalikan ke posisi mati, atau saat Anda menarik pelatuk sakelar.

CATATAN: Mesin ini menggunakan fungsi pemutus daya otomatis. Untuk menghindari penyalaaan yang tidak disengaja, sakelar daya utama akan secara otomatis mati ketika pelatuk sakelar tidak ditarik selama beberapa saat setelah sakelar daya utama dinyalakan.

Kerja sakelar

⚠PERINGATAN: Sebelum memasang kartrid baterai pada mesin, pastikan pelatuk sakelar berfungsi dengan baik dan kembali ke posisi "MATI" saat dilepas.

► **Gbr.21:** 1. Pelatuk sakelar

Untuk menjalankan mesin, cukup tarik pelatuk sakelar. Kecepatan akan meningkat dengan menambah tekanan pada pelatuk sakelar. Lepaskan pelatuk sakelar untuk berhenti.

Fungsi kontrol jelajah

Fungsi kontrol jelajah memungkinkan operator untuk mempertahankan kecepatan konstan tanpa menarik pelatuk. Untuk menambah kecepatan, putar tuas kontrol ke depan. Untuk mengurangi kecepatan, putar tuas kontrol ke belakang.

► **Gbr.22:** 1. Tuas kontrol

Penyimpanan kunci L

Saat tidak digunakan, simpan kunci L seperti pada gambar agar tidak hilang.

► **Gbr.23:** 1. Kunci L

Fungsi pencegah penyalaaan ulang secara tidak sengaja

Jika Anda menghidupkan mesin saat menarik pelatuk sakelar atau saat tuas kontrol tidak dalam posisi mati, mesin tidak akan menyala. Untuk menyalakan mesin, lepaskan pelatuk sakelar dan kembalikan tuas kontrol sepenuhnya terlebih dahulu, lalu nyalakan mesin.

Fungsi elektronik

Mesin ini dilengkapi dengan fungsi elektronik untuk pengoperasian yang mudah.

- Kontrol kecepatan konstan
Fungsi kontrol kecepatan memberikan kecepatan rotasi yang konstan terlepas dari kondisi muatan.

PENGUNAAN

⚠PERHATIAN: Jangan meletakkan mesin di atas tanah saat menghidupkannya. Pasir atau debu dapat masuk dari inlet pengisap dan menyebabkan kerusakan fungsi atau cedera badan.

Operasi mesin peniup

⚠PERHATIAN: Saat melakukan pengoperasian blower, pastikan untuk melepaskan pipa pengisap, nosel pengisap, pipa siku, dan kantong debu dari mesin, lalu pasang pipa dan nosel peniup ke mesin.

Pegang mesin dengan kuat menggunakan tangan dan lakukan operasi peniupan dengan menggerakannya perlahan. Saat mengoperasikan di sekitar bangunan, batu besar atau kendaraan, arahkan nosel menjauh dari bangunan/benda tersebut. Saat melakukan pengoperasian di sudut, mulai dari sudut, kemudian pindah ke area yang luas.

► **Gbr.24**

Pengoperasian mengisap

⚠PERHATIAN: Saat melakukan pengoperasian mengisap, pastikan untuk melepas pipa dan nosel peniup dari mesin, lalu pasang pipa pengisap, nosel pengisap, pipa siku, kantong debu, dan tali bahu ke mesin.

⚠PERHATIAN: Sering-seringlah memeriksa kantong debu untuk memastikan tidak ada bagian yang aus atau cacat.

⚠PERHATIAN: Pastikan untuk mengencangkan pengencang kantong debu sebelum mengoperasikan mesin.

⚠PERHATIAN: Selalu matikan mesin sebelum membuka atau mengencangkan pengencang kantong debu.

⚠PERHATIAN: Sebelum mengoperasikan mesin, setel panjang tali sehingga kantong debu tidak menyentuh tanah.

PEMBERITAHUAN: Jangan sampai material basah, seperti daun basah, dan material asing, seperti serpihan kayu besar, logam, kaca, kerikil, dll., terisap ke dalam mesin. Hal tersebut dapat menyebabkan malafungsi.

PEMBERITAHUAN: Kosongkan kantong debu sebelum penuh. Hal tersebut dapat menyebabkan malafungsi.

PEMBERITAHUAN: Untuk mencegah terisapnya material asing, disarankan untuk mengoperasikan mesin dalam mode mengisap.

1. Posisikan tali bahu pada bahu seperti ditunjukkan pada gambar. Setel panjang tali.

► **Gbr.25:** 1. Tali bahu 2. Gagang jinjing 3. Anak pegangan 4. Kantong debu

2. Pegang gagang jinjing dengan tangan kanan, sementara tangan kiri memegang anak pegangan.

Pastikan gesper berada pada sisi depan.

► **Gbr.26:** 1. Gesper

3. Saat mengoperasikan mesin, sesuaikan pelatuk sakelar sehingga gaya pengisapannya sesuai dengan lokasi dan kondisi kerja.

PERAWATAN

⚠ PERHATIAN: Selalu pastikan bahwa mesin sudah dimatikan dan kartrid baterai dilepas sebelum melakukan pemeriksaan atau perawatan.

Untuk menjaga KEAMANAN dan KEANDALAN mesin, perbaikan, perawatan atau penyetelan lainnya harus dilakukan oleh Pusat Layanan Resmi atau Pabrik Makita; selalu gunakan suku cadang pengganti buatan Makita.

Membersihkan mesin

Bersihkan mesin dari debu menggunakan kain kering atau dicelupkan di air sabun dan diperas.

PEMBERITAHUAN: Jangan sekali-kali menggunakan bensin, tiner, alkohol, atau bahan sejenisnya. Penggunaan bahan demikian dapat menyebabkan perubahan warna, perubahan bentuk atau timbulnya retakan.

Bersihkan debu atau kotoran dari inlet pengisap.

► **Gbr.27:** 1. Inlet pengisap

PEMECAHAN MASALAH

Sebelum meminta perbaikan, lakukan pemeriksaan mandiri terlebih dahulu. Jika Anda menemukan masalah yang tidak dijelaskan dalam buku petunjuk ini, jangan coba membongkar mesin. Hubungi Pusat Servis Resmi Makita, dan selalu gunakan suku cadang pengganti Makita untuk perbaikan.

Keadaan Tidak Normal	Kemungkinan penyebab (kerusakan fungsi)	Perbaikan
Motor tidak berjalan.	Kartrid baterai tidak terpasang.	Pasang kartrid baterai.
	Masalah baterai (kekurangan tegangan)	Isi ulang daya baterai. Jika pengisian ulang daya tidak berhasil, gantilah baterai.
	Untuk blower Pipa peniup tidak terpasang. Penutup kipas tidak tertutup.	Pasang pipa peniup, lalu kencangkan bautnya. Tutup penutup kipas, lalu kencangkan bautnya.
	Untuk vakum Pipa siku atau pipa pengisap tidak terpasang.	Pasang pipa siku atau pipa pengisap, lalu kencangkan bautnya.
	Sistem penggerak tidak bekerja secara benar.	Mintalah pusat servis resmi setempat untuk melakukan perbaikan.
Motor berhenti setelah digunakan sebentar.	Daya baterai rendah.	Isi ulang daya baterai. Jika pengisian ulang daya tidak berhasil, gantilah baterai.
	Panas berlebihan.	Hentikan penggunaan agar mesin dapat menjadi dingin.
Mesin tidak mencapai kecepatan maksimum.	Baterai dipasang secara tidak tepat.	Pasang kartrid baterai sebagaimana diuraikan dalam buku petunjuk ini.
	Daya baterai menurun.	Isi ulang daya baterai. Jika pengisian ulang daya tidak berhasil, gantilah baterai.
	Sistem penggerak tidak bekerja secara benar.	Mintalah pusat servis resmi setempat untuk melakukan perbaikan.
Getaran tidak normal: ⇒ segera hentikan mesin!	Sistem penggerak tidak bekerja secara benar.	Mintalah pusat servis resmi setempat untuk melakukan perbaikan.
Motor tidak dapat berhenti: ⇒ Segera lepaskan baterai!	Gangguan listrik atau elektronik.	Lepas baterai dan mintalah pusat servis resmi setempat untuk melakukan perbaikan.

AKSESORI PILIHAN

⚠️ PERHATIAN: Dianjurkan untuk menggunakan aksesoris atau perangkat tambahan ini dengan produk Makita Anda yang ditentukan dalam petunjuk ini. Penggunaan aksesoris atau perangkat tambahan lain bisa menyebabkan risiko cedera pada manusia. Hanya gunakan aksesoris atau perangkat tambahan yang sesuai dengan tujuan yang telah ditetapkan.

Jika Anda memerlukan bantuan lebih rinci berkenaan dengan aksesoris ini, tanyakan pada Pusat Layanan Makita terdekat.

- Kit vakum
- Nosel ekstensi
- Nosel datar
- Nosel talang
- Pipa adaptor
- Tali bahu
- Kantong debu kecil
- Baterai dan pengisi daya asli buatan Makita

CATATAN: Beberapa item dalam daftar tersebut mungkin sudah termasuk dalam paket produk sebagai aksesoris standar. Kelengkapan item dapat berbeda dari satu negara ke negara lainnya.

THÔNG SỐ KỸ THUẬT

Kiểu máy:		DUB363
Công suất	Lượng không khí	0 - 13,4 m ³ /min
	Tốc độ gió (trung bình)	0 - 54 m/s
	Tốc độ gió (tối đa)	0 - 65 m/s
Kích thước (D x R x C) *1		341 mm x 193 mm x 415 mm
Điện áp định mức		D.C. 36 V
Khối lượng tịnh	Máy thổi *2	4,5 - 5,2 kg
	Máy hút bụi *3	6,0 - 6,6 kg

- *1. Không bao gồm đường ống, vòi phun, túi chứa bụi, dây đeo vai và hộp pin.
- *2. Bao gồm ống thổi, đầu vòi phun và vòi phun dẹt, không có ống hút, vòi hút, khay nối ống, túi chứa bụi và dây đeo vai.
- *3. Bao gồm ống hút, vòi hút, khay nối ống, túi chứa bụi và dây đeo vai, không bao gồm ống thổi, đầu vòi phun và vòi phun dẹt.
- Do chương trình nghiên cứu và phát triển liên tục của chúng tôi nên các thông số kỹ thuật trong đây có thể thay đổi mà không cần thông báo trước.
 - Các thông số kỹ thuật có thể thay đổi tùy theo từng quốc gia.
 - Khối lượng có thể khác nhau tùy thuộc vào (các) phụ kiện, bao gồm cả hộp pin. Tổ hợp nhẹ nhất và nặng nhất, theo Quy trình EPTA 01/2014, được trình bày trong bảng.

Hộp pin và sạc pin có thể áp dụng

Hộp pin	BL1815N / BL1820B / BL1830B / BL1840B / BL1850B / BL1860B
Bộ sạc	DC18RC / DC18RD / DC18RE / DC18SD / DC18SE / DC18SF / DC18SH

- Một số hộp pin và sạc pin được nêu trong danh sách ở trên có thể không khả dụng tùy thuộc vào khu vực cư trú của bạn.

⚠ CẢNH BÁO: Chỉ sử dụng hộp pin và sạc pin được nêu trong danh sách ở trên. Việc sử dụng bất cứ hộp pin và sạc pin nào khác có thể gây ra thương tích và/hoặc hỏa hoạn.




Nguồn điện kết nối bằng dây được khuyến dùng





Bộ Chuyển Đổi Pin	BAP182
Bộ pin kết nối bằng dây	BL36120A
Bộ cấp nguồn di động đeo vai	PDC01 / PDC1200

- (Các) Nguồn điện kết nối bằng dây được nêu trong danh sách ở trên có thể không khả dụng tùy thuộc vào khu vực cư trú của bạn.
- Trước khi sử dụng nguồn điện kết nối bằng dây, hãy đọc hướng dẫn và nhãn cảnh báo có trên chúng.

Ký hiệu

Phần dưới đây cho biết các ký hiệu có thể được dùng cho thiết bị. Đảm bảo rằng bạn hiểu rõ ý nghĩa của các ký hiệu này trước khi sử dụng.

	Hãy cẩn thận và đặc biệt chú ý.
	Đọc tài liệu hướng dẫn.
	Giữ tay tránh xa các bộ phận quay.

	Tóc dài có thể gây ra sự cố quấn rối.
	Không để những người không phận sự lại gần.
	Mang thiết bị bảo vệ mắt và tai.
	Không được tiếp xúc với hơi ẩm.



Chỉ dành cho các quốc gia EU
Do có các thành phần nguy hiểm bên trong thiết bị điện và điện tử, ắc quy và pin thải bỏ nên có thể có tác động không tốt đến môi trường và sức khỏe con người. Không vứt bỏ các thiết bị điện và điện tử hoặc pin với rác thải sinh hoạt!
Theo Chỉ thị của Châu Âu về thiết bị điện và điện tử thải bỏ và về pin và ắc quy và pin và ắc quy thải bỏ, cũng như sự thích ứng của chúng với luật pháp quốc gia, các thiết bị điện, pin và ắc quy thải phải được cất giữ riêng biệt và chuyển đến một điểm thu gom rác thải đô thị riêng, hoạt động theo các quy định về bảo vệ môi trường. Điều này được biểu thị bằng biểu tượng thùng rác có bánh xe gạch chéo được đặt trên thiết bị.



Mức công suất âm thanh được đảm bảo theo Chỉ thị về tiếng ồn ngoài trời của EU.



Mức công suất âm thanh theo Quy định kiểm soát tiếng ồn NSW của Úc

Mục đích sử dụng

Máy này được dùng để thổi và hút bụi.

CẢNH BÁO AN TOÀN

Hướng dẫn an toàn cho máy thổi cầm tay hoạt động bằng pin

⚠ CẢNH BÁO: Đọc tất cả các cảnh báo an toàn và tất cả hướng dẫn. Việc không tuân theo các cảnh báo và hướng dẫn có thể dẫn đến điện giật, hỏa hoạn và/hoặc thương tích nghiêm trọng.

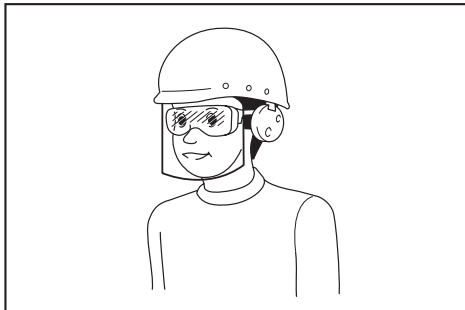
Lưu giữ tất cả cảnh báo và hướng dẫn để tham khảo sau này.

Hướng dẫn

1. Đọc hướng dẫn cẩn thận. Làm quen với việc điều khiển và cách sử dụng máy chính xác.
2. Không bao giờ cho phép trẻ em, người suy giảm thể chất, giác quan hoặc khả năng trí tuệ, hay thiếu kinh nghiệm và kiến thức hoặc những người không quen thuộc với các hướng dẫn này sử dụng máy. Các quy định của địa phương có thể hạn chế độ tuổi của người vận hành.
3. Không bao giờ vận hành máy khi có người, đặc biệt là trẻ em hoặc thú cưng ở gần.
4. Hãy nhớ rằng người vận hành hoặc người sử dụng phải chịu trách nhiệm về tai nạn hoặc nguy hiểm xảy ra cho người khác hoặc tài sản của họ.

Chuẩn bị

1. Luôn mang giày chắc chắn và quần dài trong khi vận hành máy.
2. Không được mặc quần áo rộng hoặc đeo trang sức lỏng lẻo chúng có thể bị hút vào đầu hút khí vào. Giữ tóc dài tránh xa đầu hút khí vào.
3. Luôn luôn mang kính bảo hộ để bảo vệ mắt khỏi bị thương khi đang sử dụng các dụng cụ máy. Kính bảo hộ phải tuân thủ ANSI Z87.1 ở Mỹ, EN 166 ở Châu Âu, hoặc AS/NZS 1336 ở Úc/New Zealand. Tại Úc/New Zealand, theo luật pháp, bạn cũng phải mang mặt nạ che mắt để bảo vệ mắt.



Trách nhiệm của chủ lao động là bắt buộc người vận hành dụng cụ và những người khác trong khu vực làm việc cạnh đó phải sử dụng các thiết bị bảo hộ an toàn thích hợp.

4. Khuyến khích đeo mặt nạ để tránh tình trạng kích ứng do bụi.
5. Khi vận hành máy luôn mang giày bảo hộ chống trượt. Mang giày và ủng bảo hộ mũi bít và chống trượt sẽ làm giảm nguy cơ chấn thương.
6. Sử dụng thiết bị bảo hộ cá nhân. Luôn đeo thiết bị bảo vệ mắt. Các thiết bị bảo hộ như mặt nạ chống bụi, giày an toàn chống trượt, mũ bảo hộ hay thiết bị bảo vệ thính giác được sử dụng trong các điều kiện thích hợp sẽ giúp giảm thương tích cá nhân.

Vận hành

1. Tắt máy, tháo hộp pin và đảm bảo các bộ phận chuyển động đã chuyển sang trạng thái dừng hoàn toàn
 - bất cứ khi nào bạn rời khỏi máy.
 - trước khi làm thông chỗ tắc nghẽn.
 - trước khi kiểm tra, làm sạch hoặc làm việc trên máy.
 - nếu máy bắt đầu rung bất thường.
 - bất cứ khi nào bạn đổi máy từ máy thổi sang máy hút bụi và ngược lại.
2. Chỉ vận hành máy vào ban ngày hoặc trong điều kiện ánh sáng nhân tạo tốt.
3. Không với quá cao và luôn giữ thăng bằng tốt và có chỗ để chân phù hợp.
4. Luôn đảm bảo chỗ để chân trên mặt nghiêng.
5. Chỉ đi bộ, không được chạy.
6. Giữ cho tất cả ngõ hút khí làm mát vào không bị vướng mảnh vụn.

7. Khi sử dụng máy để vận hành máy thổi, không bao giờ thổi mảnh vụn về hướng của những người xung quanh. Khi sử dụng máy để hút bụi, hãy cẩn thận không thổi các mảnh vụn về hướng của những người xung quanh bằng luồng gió thổi ra từ túi chứa bụi.
8. Vận hành máy ở vị trí được đề xuất và trên bề mặt vững chắc.
9. Không vận hành máy ở nơi cao.
10. Không bao giờ được hướng vòi phun vào bất kỳ ai ở gần khi đang sử dụng máy.
11. Không bao giờ được chặn ngõ vào đầu hút và/hoặc đầu ra máy thổi.
 - Hãy cẩn thận không để bụi hoặc bụi bần chặn ngõ vào đầu hút hoặc đầu ra máy thổi khi vận hành ở khu vực bụi bặm.
 - Không sử dụng vòi phun nào khác ngoài vòi phun được Makita cung cấp.
 - Không được dùng máy thổi để thổi phồng bóng, thuyền cao su hoặc những vật dụng tương tự.
12. Không được vận hành máy gần cửa sổ đang mở, v.v...
13. Chỉ nên vận hành máy trong những khung giờ hợp lý - không nên sử dụng vào những lúc sáng sớm hoặc quá khuya vì có thể làm phiền người khác.
14. Nên dùng dụng cụ cào và chổi để làm rời các mảnh vụn ra trước khi thổi.
15. Nếu máy bị va đập với bất kỳ ngoại vật nào hoặc bắt đầu có những âm thanh hay rung chấn bất thường, phải ngay lập tức tắt máy để dừng hoạt động. Tháo hộp pin ra khỏi máy và kiểm tra xem máy có bị hư hỏng hay không trước khi khởi động lại và vận hành máy. Nếu máy bị hỏng, hãy nhờ Trung tâm dịch vụ được ủy quyền của Makita sửa chữa.
16. Không cho ngón tay hoặc các vật khác vào ngõ vào đầu hút hoặc đầu ra máy thổi.
17. Tránh vô tình khởi động dụng cụ máy. Đảm bảo công tắc ở vị trí off (tắt) trước khi gắn hộp pin, cầm hoặc mang máy. Việc di chuyển máy khi đang đặt ngón tay ở vị trí công tắc hoặc cấp điện cho máy đang bật dễ gây ra tai nạn.
18. Không bao giờ thổi hoặc hút vật liệu nguy hiểm, như đinh, mảnh vỡ thủy tinh hoặc lưỡi dao.
19. Không vận hành máy gần các vật liệu dễ cháy.
20. Tránh vận hành máy trong thời gian dài ở môi trường có nhiệt độ thấp.
21. Khi sử dụng máy để vận hành máy thổi kết hợp với bộ chuyển đổi pin có trang bị dây nịt vai, không sử dụng máy này với dây nịt vai được gắn vào máy.
22. Khi bạn đang đeo túi chứa bụi để vận hành hút bụi, không sử dụng máy này kết hợp với bộ chuyển đổi pin có trang bị dây nịt vai.

Bảo dưỡng và cất giữ

1. Giữ cho tất cả các đai ốc, bu-lông và ốc vít đều vận chặt để đảm bảo máy hoạt động trong điều kiện làm việc an toàn.
2. Nếu các bộ phận bị mòn hoặc hư hỏng, hãy thay thế chúng bằng các bộ phận Makita chính hãng.

3. Bảo quản xe ở nơi khô ráo tránh xa tầm tay trẻ em.
4. Khi bạn dùng máy để kiểm tra, bảo trì, cất giữ hoặc thay đổi phụ kiện, hãy tắt công tắc máy và đảm bảo tất cả các bộ phận quay chuyển sang trạng thái dừng hoàn toàn, và tháo hộp pin. Làm mát máy trước khi thực hiện bất kỳ công việc nào trên máy. Bảo dưỡng máy cẩn thận và giữ máy sạch sẽ.
5. Luôn làm nguội máy trước khi cất giữ.
6. Không để máy tiếp xúc với mưa. Cất giữ máy trong nhà.
7. Khi bạn nhấc máy lên, hãy đảm bảo khuỷu đầu gối xuống và luôn cẩn thận để không làm lúng của bạn bị tòn thương.

Sử dụng và bảo quản dụng cụ dùng pin

1. Chỉ sạc pin lại với bộ sạc do nhà sản xuất quy định. Bộ sạc phù hợp với một loại bộ pin này có thể gây ra nguy cơ hỏa hoạn khi được dùng cho một bộ pin khác.
2. Chỉ sử dụng các dụng cụ máy với các bộ pin được quy định cụ thể. Việc sử dụng bất cứ bộ pin nào khác có thể gây ra thương tích và hỏa hoạn.
3. Khi không sử dụng bộ pin, hãy giữ tránh xa các đồ vật khác bằng kim loại, chẳng hạn như kẹp giấy, tiền xu, chìa khóa, đinh, ốc vít hoặc các vật nhỏ bằng kim loại mà có thể làm nối tất các đầu cực pin. Các đầu cực pin bị đoản mạch có thể gây cháy hoặc hỏa hoạn.
4. Trong điều kiện sử dụng quá mức, pin có thể bị chảy nước; hãy tránh tiếp xúc. Nếu vô tình tiếp xúc với pin bị chảy nước, hãy rửa sạch bằng nước. Nếu dung dịch từ pin tiếp xúc với mắt, cần đi khám bác sĩ thêm. Dung dịch chảy ra từ pin có thể gây rát da hoặc bỏng.
5. Không sử dụng bộ pin hoặc dụng cụ bị hư hỏng hoặc đã bị sửa đổi. Pin đã bị hư hỏng hoặc đã bị sửa đổi có thể hành động theo cách không thể đoán trước dẫn đến cháy, nổ hoặc nguy cơ chấn thương.
6. Không để bộ pin hoặc dụng cụ tiếp xúc với lửa hoặc nhiệt độ quá cao. Tiếp xúc với lửa hoặc nhiệt độ trên 130 °C có thể gây ra cháy nổ.
7. Làm theo tất cả các hướng dẫn sạc pin và không được sạc bộ pin hoặc dụng cụ vượt giới hạn nhiệt độ quy định trong hướng dẫn. Sạc pin không đúng hoặc ở nhiệt độ vượt giới hạn nhiệt độ có thể gây hư hỏng cho pin và làm tăng nguy cơ cháy.

An toàn về điện và pin

1. Không thả bỏ (các) viên pin vào lửa. Viên pin có thể phát nổ. Kiểm tra bằng mã địa phương để biết hướng dẫn thả bỏ đặc biệt nếu có.
2. Không mở hay cắt xén (các) viên pin. Chất điện phân thải ra có tính ăn mòn và có thể gây tổn thương cho mắt hoặc da. Có thể độc hại nếu nuốt phải.
3. Không sạc pin trong mưa, hoặc nằm ẩm ướt.
4. Không sạc pin ở ngoài trời.
5. Không tháo tác bộ sạc, bao gồm phích cắm của bộ sạc, và điện cực của bộ sạc bằng tay ướt.

6. **Tránh môi trường nguy hiểm. Không được sử dụng dụng cụ tại những nơi bừa bộn hoặc ẩm ướt hay dễ chúng tiếp xúc với mưa.** Nước lọt vào dụng cụ sẽ làm tăng nguy cơ điện giật.
10. **Pin nén lithium-ion là đối tượng có yêu cầu bắt buộc theo Luật Hàng hoá Nguy hiểm.** Đối với vận tải thương mại, ví dụ như vận tải do bên thứ ba, tải lý giao nhận, thì yêu cầu đặc biệt về đóng gói và nhãn ghi phải được giám sát. Để chuẩn bị cho mặt hàng cần vận chuyển, cần phải tham khảo ý kiến chuyên gia về vật liệu nguy hiểm. Nếu được, vui lòng tuân thủ các quy định quốc gia chi tiết hơn. Buộc hoặc niêm phong các tiếp điểm mở và đóng gói pin theo cách đó để nó không thể di chuyển trong bao bì.

Bảo dưỡng

1. **Để nhân viên sửa chữa đủ trình độ bảo dưỡng dụng cụ máy của bạn và chỉ sử dụng các bộ phận thay thế đồng nhất.** Việc này sẽ đảm bảo duy trì được độ an toàn của dụng cụ máy.
2. **Không bao giờ sử dụng bộ pin đã hỏng.** Dịch vụ bảo hành bộ pin chỉ nên thực hiện bởi nhà sản xuất hoặc các nhà cung cấp dịch vụ được ủy quyền.

LƯU GIỮ CÁC HƯỚNG DẪN NÀY.

⚠CẢNH BÁO: KHÔNG vì đã thoải mái hay quen thuộc với sản phẩm (có được do sử dụng nhiều lần) mà không tuân thủ nghiêm ngặt các quy định về an toàn dành cho sản phẩm này.

VIỆC DÙNG SAI hoặc không tuân theo các quy định về an toàn được nêu trong tài liệu hướng dẫn này có thể dẫn đến thương tích cá nhân nghiêm trọng.

Hướng dẫn quan trọng về an toàn dành cho hộp pin

1. Trước khi sử dụng hộp pin, hãy đọc kỹ tất cả các hướng dẫn và dấu hiệu cảnh báo trên (1) bộ sạc pin, (2) pin và (3) sản phẩm sử dụng pin.
2. Không tháo rời hoặc làm thay đổi hộp pin. Việc này có thể dẫn đến hỏa hoạn, quá nhiệt hoặc nổ.
3. Nếu thời gian vận hành ngắn hơn quá mức, hãy ngừng vận hành ngay lập tức. Điều này có thể dẫn đến rủi ro quá nhiệt, có thể gây bỏng và thậm chí là nổ.
4. Nếu chất điện phân rơi vào mắt, hãy rửa sạch bằng nước sạch và đến cơ sở y tế ngay lập tức. Chất này có thể khiến bạn giảm thị lực.
5. Không để hộp pin ở tình trạng đoản mạch:
 - (1) Không chạm vào cực pin bằng vật liệu dẫn điện.
 - (2) Tránh cất giữ hộp pin trong hộp có các vật kim loại khác như đinh, tiền xu, v.v...
 - (3) Không được để hộp pin tiếp xúc với nước hoặc mưa.
 Đoàn mạch pin có thể gây ra dòng điện lớn, quá nhiệt, có thể gây bỏng và thậm chí là hồng hóc.
6. Không cất giữ cũng như sử dụng dụng cụ và hộp pin ở nơi nhiệt độ có thể lên tới hoặc vượt quá 50 °C (122 °F).
7. Không đốt hộp pin ngay cả khi hộp pin đã bị hư hại nặng hoặc hư hỏng hoàn toàn. Hộp pin có thể nổ khi tiếp xúc với lửa.
8. Không đóng đinh, cắt, nghiền nát, ném, làm rơi hộp pin hoặc va vật cứng vào hộp pin. Làm như thế có thể dẫn đến hỏa hoạn, quá nhiệt hoặc nổ.
9. Không sử dụng pin đã hỏng.

11. **Khi vứt bỏ hộp pin, hãy tháo chúng khỏi dụng cụ và thả bỏ ở nơi an toàn. Phải tuân thủ theo các quy định của địa phương liên quan đến việc thải bỏ pin.**
12. **Chỉ sử dụng pin cho các sản phẩm Makita chỉ định.** Lắp pin vào sản phẩm không thích hợp có thể gây ra hỏa hoạn, quá nhiệt, nổ, hoặc rò chất điện phân.
13. **Nếu dụng cụ không được sử dụng trong một thời gian dài, cần phải tháo pin ra khỏi dụng cụ.**
14. **Trong và sau khi sử dụng, hộp pin có thể bị nóng, có thể gây bỏng hoặc bỏng ở nhiệt độ thấp. Chú ý xử lý hộp pin nóng.**
15. **Không chạm vào điện cực của dụng cụ ngay sau khi sử dụng vì điện cực đủ nóng để gây bỏng.**
16. **Không để vụn bào, bụi hoặc đất bám vào các điện cực, lỗ và rãnh của hộp pin.** Việc này có thể dẫn đến hiệu suất kém hoặc hồng hóc dụng cụ hay hộp pin.
17. **Trừ khi dụng cụ hỗ trợ sử dụng gần đường dây điện cao thế, không sử dụng hộp pin gần đường dây điện cao thế.** Việc này có thể dẫn đến trực trặc hoặc hồng hóc dụng cụ hay hộp pin.
18. **Giữ pin tránh xa trẻ em.**

LƯU GIỮ CÁC HƯỚNG DẪN NÀY.

⚠THẬN TRỌNG: Chỉ sử dụng pin Makita chính hãng. Việc sử dụng pin không chính hãng Makita, hoặc pin đã được sửa đổi, có thể dẫn đến nổ pin gây ra cháy, thương tích và thiệt hại cá nhân. Nó cũng sẽ làm mất hiệu lực bảo hành của Makita dành cho dụng cụ của Makita và bộ sạc.

Mẹo duy trì tuổi thọ tối đa cho pin

1. **Sạc hộp pin trước khi pin bị xả điện hoàn toàn.** Luôn dừng việc vận hành dụng cụ và sạc pin khi bạn nhận thấy công suất dụng cụ bị giảm.
2. **Không được phép sạc lại một hộp pin đã được sạc đầy.** Sạc quá mức sẽ làm giảm tuổi thọ của pin.
3. **Sạc pin ở nhiệt độ phòng 10°C - 40°C.** Để cho hộp pin nóng nguội lại dần trước khi sạc pin.
4. **Khi không sử dụng hộp pin, hãy tháo hộp pin ra khỏi dụng cụ hoặc bộ sạc.**
5. **Sạc pin sáu tháng một lần nếu bạn không sử dụng dụng cụ trong một thời gian dài (hơn sáu tháng).**

LẮP RÁP

⚠ THẬN TRỌNG: Luôn bảo đảm rằng đã tắt máy và tháo hộp pin trước khi tiến hành bất cứ công việc nào trên xe.

CHÚ Ý: Trước khi vận hành máy, hãy đảm bảo đã lắp ráp hoàn chỉnh máy. Nếu không, máy sẽ không hoạt động.

Lắp ráp dùng để thổi

Lắp hoặc tháo ống dẫn và vòi phun của máy thổi

1. Gắn ống thổi vào bộ phận chính.

Lắp ống thổi vào bộ phận chính với bu lông quay sang trái như thể hiện trong hình. Xoay ống thổi như thể hiện trong hình sao cho bu-lông thẳng hàng với lỗ trên bộ phận chính, sau đó vặn chặt bu-lông bằng cách sử dụng cờ lê lục giác.

► **Hình1:** 1. Bu lông 2. Ống thổi

2. Căn chỉnh phần nhô ra trên ống thổi với rãnh trên đầu vòi phun, sau đó gắn đầu vòi phun vào ống thổi, rồi xoay đầu vòi phun để khớp vào vị trí.

► **Hình2:** 1. Đầu vòi phun 2. Ống thổi

Để tháo ống thổi và đầu vòi phun, hãy thực hiện ngược lại quy trình lắp vào.

LƯU Ý: Có thể thay đổi chiều dài của vòi bằng cách di chuyển vòi như minh họa trong hình.

► **Hình3:** 1. Đầu vòi phun 2. Ống thổi

Lắp hoặc tháo vòi phun dẹt hoặc vòi phun nổi dài

Phụ kiện tùy chọn

Gắn vòi phun dẹt hoặc vòi phun nổi dài vào đầu vòi phun, sau đó xoay vòi phun để vòi phun khớp vào vị trí.

► **Hình4:** 1. Vòi phun dẹt 2. Vòi phun nổi dài 3. Ống chuyển đổi

Bạn cũng có thể gắn vòi phun dẹt hoặc vòi phun nổi dài vào ống thổi.

► **Hình5:** 1. Vòi phun dẹt 2. Vòi phun nổi dài 3. Ống thổi

Để tháo vòi phun dẹt hoặc vòi phun nổi dài, hãy thực hiện ngược lại quy trình lắp vào.

Lắp đặt vòi phun máng nước

Phụ kiện tùy chọn

Vòi phun máng nước có thể được lắp đặt trên máy thổi. Bắt buộc dùng ống chuyển đổi được thiết kế dành riêng cho kiểu máy này để lắp đặt vòi phun máng nước.

Để biết thêm chi tiết, vui lòng tham khảo hướng dẫn sử dụng được cung cấp kèm theo vòi phun máng nước.

Gắn dây đeo vai

⚠ THẬN TRỌNG: Đảm bảo gắn chắc các móc của dây đeo vai vào máy. Nếu các móc không được gắn hoàn toàn, chúng có thể rơi ra và gây thương tích.

⚠ THẬN TRỌNG: Đảm bảo có dùng dây đeo vai chuyên dụng cho dụng cụ này. Dùng một dây đeo vai khác có thể gây ra chấn thương.

⚠ THẬN TRỌNG: Khi bạn sử dụng máy kết hợp với nguồn điện kiểu đeo trên vai như bộ cấp nguồn di động đeo vai, không sử dụng dây đeo vai có trong thùng đóng gói của máy mà hãy sử dụng băng treo được Makita khuyến dùng.

Nếu bạn đeo dây đeo vai có trong thùng đóng gói của máy và dây nịt vai của nguồn điện kiểu đeo trên vai cùng một lúc, việc tháo máy hoặc nguồn điện kiểu đeo trên vai sẽ rất khó khăn trong trường hợp khẩn cấp và có thể gây ra tai nạn hoặc thương tích. Đối với băng treo được khuyến dùng, hãy hỏi Trung tâm dịch vụ được ủy quyền của Makita.

Gắn các móc của dây đeo vai vào máy như minh họa trong hình.

► **Hình6:** 1. Móc treo

Dây đeo vai được trang bị để nhả nhanh. Chỉ cần bóp hai bên nịt để nhả máy khỏi dây đeo vai.

► **Hình7:** 1. Khóa nịt

► **Hình8:** 1. Khóa nịt

Lắp ráp dùng để hút

⚠ THẬN TRỌNG: Khi thực hiện vận hành hút bụi, luôn gắn vòi hút vào ống hút.

⚠ THẬN TRỌNG: Để vận hành an toàn, không được tháo vòi hút ra khỏi ống hút, sau khi chúng đã được lắp ráp. Không cố gắng tháo vòi hút ra sau khi lắp ráp. Nếu không, chúng có thể bị hư hỏng.

Lắp hoặc tháo ống hút và vòi phun


Phụ kiện tùy chọn


1. Căn chỉnh dấu hình tam giác trên vòi hút với dấu trên ống hút, sau đó lắp vòi hút vào ống hút cho đến khi chốt gài trên vòi trượt vào vị trí.

► **Hình9:** 1. Vòi hút 2. Ống hút 3. Dấu hình tam giác

2. Nới lỏng bu-lông trên nắp che cánh quạt bằng cờ lê lục giác và mở nắp che cánh quạt.

► **Hình10:** 1. Bu lông 2. Nắp che cánh quạt 3. Cờ lê lục giác

3. Căn chỉnh dấu hình tam giác trên ống hút với dấu  trên bộ phận chính, sau đó gắn ống hút vào bộ phận chính.

► **Hình11:** 1. Ống hút 2. Dấu hình tam giác 3.  dấu

4. Xoay ống hút theo chiều kim đồng hồ sao cho bu-lông trên ống thẳng hàng với lỗ trên bộ phận chính, sau đó siết chặt bu-lông bằng cách sử dụng cờ lê lục giác để cố định ống vào bộ phận chính.

► **Hình12:** 1. Ống hút 2. Bu-lông

Để tháo ống hút và vòi phun, hãy thực hiện ngược lại quy trình lắp vào.

Lắp hoặc tháo khay nổi ống và túi chứa bụi

Phụ kiện tùy chọn

1. Lắp khay nổi ống vào túi chứa bụi và thắt chặt đai để cố định khay nổi ống như thể hiện trong hình.

► **Hình13:** 1. Túi chứa bụi 2. Ống khay 3. Dây đai

2. Gắn khay nổi ống vào bộ phận chính.

Lắp khay nổi ống vào bộ phận chính với bu lông quay sang trái như thể hiện trong hình. Xoay khay nổi ống như thể hiện trong hình sao cho bu-lông thẳng hàng với lỗ trên bộ phận chính, sau đó vặn chặt bu-lông bằng cách sử dụng cờ lê lục giác.

► **Hình14:** 1. Bu-lông 2. Ống khay

3. Gắn các móc của túi chứa bụi vào tay cầm phụ như minh họa trong hình.

Điều chỉnh độ dài của dây đeo, sau đó gấp dây đeo thừa và cố định bằng bộ phận kẹp có móc và quai.

► **Hình15:** 1. Móc treo 2. Tay cầm phụ

4. Gắn các móc của dây đeo vào vòi quai xách và tay cầm phụ như minh họa trong hình.

Đảm bảo rằng khóa nịt được đặt ở bên hông quai xách.

► **Hình16:** 1. Móc treo 2. Tay cầm di chuyển 3. Tay cầm phụ 4. Khóa nịt

Để tháo túi chứa bụi và khay nổi ống, hãy làm ngược lại quy trình lắp vào.

Khi lắp túi chứa bụi nhỏ, hãy mở bộ phận kẹp, lắp ống khay nổi vào túi chứa bụi, sau đó đóng bộ phận kẹp. Khóa và siết chặt dây đai để cố định ống khay nổi.

► **Hình17:** 1. Bộ phận kẹp 2. Túi chứa bụi 3. Dây đai 4. Ống khay nổi

MÔ TẢ CHỨC NĂNG

⚠ THẬN TRỌNG: Luôn đảm bảo rằng đã tắt công tắc máy và tháo hộp pin ra trước khi thực hiện việc điều chỉnh hoặc kiểm tra chức năng trên máy.

Lắp hoặc tháo hộp pin

⚠ THẬN TRỌNG: Luôn tắt máy trước khi lắp hoặc tháo hộp pin.

⚠ THẬN TRỌNG: Giữ máy và hộp pin thật chắc khi lắp hoặc tháo hộp pin. Không giữ máy và hộp pin thật chắc có thể làm trượt chúng khỏi tay và làm hư hỏng máy và hộp pin hoặc gây thương tích cá nhân.

⚠ THẬN TRỌNG: Luôn lắp hộp pin khớp hoàn toàn vào vị trí cho đến khi không thể nhìn thấy đèn chỉ báo màu đỏ. Nếu không, hộp pin có thể vơi rơi ra khỏi máy, gây thương tích cho bạn hoặc người khác ở xung quanh.

⚠ THẬN TRỌNG: Không được dùng sức lắp hộp pin. Nếu hộp pin không nhẹ nhàng trượt vào vị trí, có nghĩa là pin vẫn chưa được lắp đúng.

► **Hình18:** 1. Chỉ báo màu đỏ 2. Nút 3. Hộp pin

Để tháo hộp pin, vừa trượt pin ra khỏi máy vừa trượt nút ở phía trước hộp pin.

Để lắp hộp pin, đặt thẳng hàng phần chốt nhô ra của hộp pin vào phần rãnh nằm trên vỏ và trượt hộp pin vào vị trí. Đưa hộp pin vào cho đến khi chốt khóa vào đúng vị trí với một tiếng “cách” nhẹ. Nếu bạn vẫn còn nhìn thấy chỉ báo màu đỏ ở mặt trên của nút, điều đó có nghĩa là chốt vẫn chưa được khóa hoàn toàn.

Chỉ báo dung lượng pin còn lại

Chỉ dành cho hộp pin có đèn chỉ báo

► **Hình19:** 1. Các đèn chỉ báo 2. Nút Check (kiểm tra)

Ấn nút check (kiểm tra) trên hộp pin để chỉ báo dung lượng pin còn lại. Các đèn chỉ báo bật sáng lên trong vài giây.

Các đèn chỉ báo			Dung lượng còn lại
Bật sáng	Tắt	Nhấp nháy	
■ ■ ■ ■			75% đến 100%
■ ■ ■ □			50% đến 75%
■ ■ □ □			25% đến 50%
■ □ □ □			0% đến 25%
▣ □ □ □			Sạc pin.
■ ■ □ □			Pin có thể đã bị hỏng.
□ □ ■ ■			

LƯU Ý: Tùy thuộc vào các điều kiện sử dụng và nhiệt độ xung quanh, việc chỉ báo có thể khác biệt một chút so với dung lượng thực sự.

LƯU Ý: Đèn chỉ báo (phía xa bên trái) đầu tiên sẽ nhấp nháy khi hệ thống bảo vệ pin hoạt động.

Hệ thống bảo vệ máy/pin

Máy này được trang bị hệ thống bảo vệ máy/pin. Hệ thống này sẽ tự động ngắt nguồn điện đến động cơ để kéo dài tuổi thọ máy và pin. Máy sẽ tự động dừng vận hành khi máy hoặc pin ở một trong những trường hợp sau đây:

Bảo vệ quá tải

Khi vận hành máy hoặc pin trong điều kiện làm máy tiêu tốn dòng cao bất thường, máy sẽ tự động dừng và đèn dành cho chế độ 1 sẽ nhấp nháy màu xanh lá cây. Trong trường hợp này, hãy tắt máy và ngừng việc sử dụng đã làm cho máy trở nên quá tải. Sau đó bật máy lên để khởi động lại.

Bảo vệ quá nhiệt

Khi bị quá nhiệt, máy hoặc pin sẽ tự động dừng và đèn dành cho chế độ 1 sẽ sáng lên màu đỏ. Trong trường hợp này, hãy để máy và pin nguội đi trước khi bật máy lại.

Bảo vệ xả điện quá mức

Khi dung lượng pin không đủ, máy sẽ tự động dừng và đèn dành cho chế độ 1 sẽ nhấp nháy màu đỏ. Trong trường hợp này, hãy tháo pin khỏi máy và sạc pin lại.

Công tắc nguồn chính

⚠ CẢNH BÁO: Luôn luôn tắt công tắc nguồn chính khi không sử dụng.

Để bật máy, nhấn công tắc nguồn chính. Đèn dành cho chế độ 1 và chế độ 2 sáng lên màu xanh lá cây. Để tắt, tiếp tục nhấn công tắc nguồn chính cho đến khi đèn dành cho chế độ 1 và chế độ 2 tắt.

► **Hình20:** (1) Đèn dành cho chế độ 1 (2) Đèn dành cho chế độ 2 (3) Công tắc nguồn chính

Bạn có thể sử dụng máy ở chế độ hút bụi. Ở chế độ hút bụi, âm lượng hút sẽ trở nên nhỏ hơn ở chế độ bình thường.

Khi bạn bật máy, máy sẽ khởi động ở chế độ bình thường. Để sử dụng máy ở chế độ hút bụi, hãy nhấn công tắc nguồn chính khi máy bật. Đèn dành cho chế độ 2 tắt và chỉ có đèn dành cho chế độ 1 sáng lên màu xanh lá cây. Khi bạn nhấn công tắc nguồn chính lại, máy sẽ trở về chế độ bình thường đồng thời các đèn dành cho chế độ 1 và chế độ 2 sáng lên màu xanh lá cây.

LƯU Ý: Đèn dành cho chế độ 1 nhấp nháy màu xanh lá cây nếu máy vận hành trong điều kiện không thể hoạt động. Đèn nhấp nháy ở một trong các tình trạng sau đây.

- Kéo cần khởi động công tắc, khi bu-lông trên nắp che cánh quạt hoặc ống hút không được vận chặt, hoặc bu-lông trên ống thổi hay khuấy nổi ống không được vận chặt.
- Bật máy, khi cần điều khiển không hoàn toàn trở về vị trí tắt hoặc trong khi bạn đang kéo cần khởi động công tắc.

LƯU Ý: Máy này sử dụng chức năng tắt nguồn tự động. Để tránh việc khởi động ngoài ý muốn, công tắc nguồn chính sẽ tự động tắt khi cần khởi động công tắc không được kéo trong một khoảng thời gian nhất định sau khi công tắc nguồn chính được bật lên.

Hoạt động công tắc

⚠ CẢNH BÁO: Trước khi lắp hộp pin vào máy, luôn luôn kiểm tra xem cần khởi động công tắc có hoạt động bình thường hay không và trả về vị trí “TẮT” khi nhà ra chưa.

► **Hình21:** 1. Cần khởi động công tắc

Để khởi động máy, chỉ cần kéo cần khởi động công tắc. Tăng tốc độ lên bằng cách tăng lực ép lên cần khởi động công tắc. Nhà cần khởi động công tắc ra để dừng.

Chức năng kiểm soát hành trình

Chức năng kiểm soát hành trình cho phép người vận hành duy trì tốc độ ổn định mà không cần kéo cần khởi động. Để tăng tốc độ, xoay cần điều khiển về phía trước. Để giảm tốc độ, xoay cần điều khiển về phía sau.

► **Hình22:** 1. Cần điều khiển

Cắt giữ cờ lê sáu cạnh

Khi không sử dụng, hãy cắt giữ cờ lê sáu cạnh như được minh họa để tránh làm mất.

► **Hình23:** 1. Cờ lê sáu cạnh

Chức năng phòng ngừa vô tình khởi động lại

Nếu bạn bật máy trong khi đang kéo cần khởi động công tắc hoặc trong khi cần điều khiển không ở vị trí tắt, máy sẽ không khởi động. Để khởi động máy, đầu tiên nhà cần khởi động công tắc ra và trả cần điều khiển về hoàn toàn, sau đó bật máy.

Chức năng điện tử

Máy này được trang bị chức năng điện tử để dễ dàng vận hành.

- Điều khiển tốc độ không đổi
Chức năng điều khiển tốc độ cung cấp tốc độ quay không đổi bất kể điều kiện tải.

VẬN HÀNH

⚠ THẬN TRỌNG: Không đặt máy trên mặt đất trong khi máy đang bật. Cát hoặc bụi bẩn có thể bay vào ngò vào đầu hút và gây ra sự cố hỏng hóc hoặc thương tích cá nhân.

Vận hành máy thổi

⚠ THẬN TRỌNG: Khi thực hiện thao tác thổi, đảm bảo đã tháo ống hút, vòi hút, khay nối ống và túi chứa bụi ra khỏi máy, rồi gắn ống thổi và vòi phun vào máy.

Giữ chặt máy bằng tay và thực hiện vận hành máy thổi bằng cách di chuyển máy chậm chậm xung quanh. Khi dùng máy thổi xung quanh tòa nhà, hướng vòi phun tránh đá lớn hoặc xe cộ. Khi thực hiện thao tác ở trong góc, hãy bắt đầu từ trong góc và sau đó di chuyển ra vùng rộng hơn bên ngoài.

► Hình24

Thao tác hút bụi

⚠ THẬN TRỌNG: Khi thực hiện thao tác hút bụi, đảm bảo đã tháo ống thổi và vòi phun ra khỏi máy, rồi gắn ống hút, vòi hút, khay nối ống, túi chứa bụi và dây đeo vai vào máy.

⚠ THẬN TRỌNG: Thường xuyên kiểm tra túi chứa bụi xem có bị mòn hay xuống cấp không.

⚠ THẬN TRỌNG: Đảm bảo đóng chặt bộ phận kẹp của túi chứa bụi trước khi vận hành máy.

⚠ THẬN TRỌNG: Luôn tắt máy trước khi mở hoặc đóng bộ phận kẹp của túi chứa bụi.

⚠ THẬN TRỌNG: Trước khi vận hành máy, điều chỉnh độ dài của dây đeo sao cho túi chứa bụi không chạm đất.

CHÚ Ý: Không để các vật liệu ướt, chẳng hạn như lá ướt, và ngoại vật, chẳng hạn như dăm gỗ lớn, kim loại, thủy tinh, đá cuội, v.v., bị hút vào máy. Nếu không có thể xảy ra trục trặc.

CHÚ Ý: Đổ túi chứa bụi trước khi túi đầy. Nếu không có thể xảy ra trục trặc.

CHÚ Ý: Để tránh việc hút phải ngoại vật, nên vận hành máy ở chế độ hút bụi.

1. Đặt dây đeo vai lên vai như hình họa trong hình. Điều chỉnh độ dài của dây đeo.

► Hình25: 1. Dây đeo vai 2. Tay cầm di chuyển 3. Tay cầm phụ 4. Túi chứa bụi

2. Giữ quai xách bằng tay phải và tay cầm phụ bằng tay kia.

Đảm bảo rằng khóa nịt được đặt ở phía trước.

► Hình26: 1. Khóa nịt

3. Trong khi vận hành máy, điều chỉnh cần khởi động công tắc sao cho lực hút phù hợp với vị trí và điều kiện làm việc.

BẢO TRÌ

⚠ THẬN TRỌNG: Luôn đảm bảo rằng máy đã được tắt công tắc và hộp pin đã được tháo ra trước khi bạn cố gắng thực hiện việc kiểm tra hay bảo dưỡng.

Để đảm bảo ĐỘ AN TOÀN và ĐỘ TIN CẬY của sản phẩm, việc sửa chữa hoặc bất cứ thao tác bảo trì, điều chỉnh nào đều phải được thực hiện bởi các Trung tâm Dịch vụ Nhà máy hoặc Trung tâm được Makita Ủy quyền và luôn sử dụng các phụ tùng thiết bị thay thế của Makita.

Vệ sinh máy

Làm sạch máy bằng cách lau hết bụi bằng vải khô hoặc vải nhúng vào nước xà phòng và vắt khô.

CHÚ Ý: Không được phép dùng xăng, ét xăng, dung môi, cồn hoặc hóa chất tương tự. Có thể xảy ra hiện tượng mất màu, biến dạng hoặc nứt vỡ.

Loại bỏ bụi hoặc bụi bẩn khỏi ngò vào đầu hút.

► Hình27: 1. Ngò vào đầu hút

XỬ LÝ SỰ CỐ

Trước khi yêu cầu sửa chữa, đầu tiên hãy tự tiến hành kiểm tra của riêng bạn. Nếu bạn phát hiện vấn đề nào đó không được giải thích trong sách hướng dẫn sử dụng này, đừng cố tháo dỡ máy. Thay vào đó, hãy nhờ Trung tâm dịch vụ Makita được ủy quyền, luôn sử dụng bộ phận thay thế của Makita để sửa chữa.

Tình trạng bất thường	Nguyên nhân tiềm tàng (sự cố hồng học)	Biện pháp khắc phục
Động cơ không chạy.	Không lắp hộp pin.	Lắp hộp pin.
	Vấn đề pin (điện áp thấp)	Sạc lại pin. Nếu sạc pin lại không hiệu quả, hãy thay thế pin.
	Đổi với máy thổi Không gắn ống thổi. Không đóng nắp che cánh quạt.	Gắn ống thổi, sau đó vận hành bu-lông. Đóng nắp che cánh quạt, sau đó vận hành bu-lông.
	Đổi với máy hút Không gắn khuỷu nối ống hoặc ống hút.	Gắn khuỷu nối ống hoặc ống hút, sau đó vận hành bu-lông.
	Hệ thống truyền động không làm việc đúng cách.	Nhờ trung tâm bảo trì được ủy quyền ở địa phương sửa chữa.
Động cơ ngừng chạy sau khi ít sử dụng đến.	Mức sạc pin thấp.	Sạc lại pin. Nếu sạc pin lại không hiệu quả, hãy thay thế pin.
	Quá nhiệt.	Ngừng sử dụng máy để giúp máy nguội dần.
Máy không đạt tốc độ tối đa.	Pin được lắp đúng cách.	Lắp hộp pin như mô tả trong sách hướng dẫn này.
	Nguồn pin bị tụt áp.	Sạc lại pin. Nếu sạc pin lại không hiệu quả, hãy thay thế pin.
	Hệ thống truyền động không làm việc đúng cách.	Nhờ trung tâm bảo trì được ủy quyền ở địa phương sửa chữa.
Rung bất thường: ⇒ ngừng máy ngay lập tức!	Hệ thống truyền động không làm việc đúng cách.	Nhờ trung tâm bảo trì được ủy quyền ở địa phương sửa chữa.
Động cơ không thể dừng lại: ⇒ Tháo hộp pin ngay lập tức!	Hư hỏng điện hoặc điện tử.	Tháo pin và nhờ trung tâm bảo trì được ủy quyền ở địa phương sửa chữa.

PHỤ KIỆN TỰY CHỌN

⚠ THẬN TRỌNG: Các phụ kiện hoặc phụ tùng gắn thêm này được khuyến cáo sử dụng với sản phẩm Makita của bạn theo như quy định trong hướng dẫn này. Việc sử dụng bất cứ phụ kiện hoặc phụ tùng gắn thêm nào khác đều có thể gây ra rủi ro thương tích cho người. Chỉ sử dụng phụ kiện hoặc phụ tùng gắn thêm cho mục đích đã quy định sẵn của chúng.

Nếu bạn cần bất kỳ sự hỗ trợ nào để biết thêm chi tiết về các phụ tùng này, hãy hỏi Trung tâm Dịch vụ của Makita tại địa phương của bạn.

- Phụ kiện của máy hút bụi
- Vòi phun nối dài
- Vòi phun dẹt
- Vòi phun máng nước
- Ống chuyển đổi
- Dây đeo vai
- Túi chứa bụi nhỏ
- Pin và bộ sạc chính hãng của Makita

LƯU Ý: Một số mục trong danh sách có thể được bao gồm trong gói sản phẩm làm phụ kiện tiêu chuẩn. Các mục này có thể thay đổi tùy theo từng quốc gia.

ข้อมูลจำเพาะ

รุ่น:	DUB363	
สมรรถนะ	ปริมาณลม	0 - 13.4 m ³ /min
	ความเร็วลม (ปานกลาง)	0 - 54 m/s
	ความเร็วลม (สูงสุด)	0 - 65 m/s
ขนาด (ยาว x กว้าง x สูง) *1	341 mm x 193 mm x 415 mm	
แรงดันไฟฟ้าสูงสุด	D.C. 36 V	
น้ำหนักสุทธิ	เครื่องเป่าลม *2	4.5 - 5.2 kg
	เครื่องดูดลม *3	6.0 - 6.6 kg

- *1. แบบไร้ท่อ หัวเป่า ถูกดักฝุ่น สายสะพายไหล่ และตลับแบตเตอรี่
- *2. แบบมีท่อเครื่องเป่าลม ปลายหัวเป่า และหัวเป่าแบบแบน และไม่มีท่อดูด หัวดูด ท่ออง ถูกดักฝุ่น และสายสะพายไหล่
- *3. แบบมีท่อดูด หัวดูด ท่ออง ถูกดักฝุ่น และสายสะพายไหล่ และไม่มีท่อเครื่องเป่าลม ปลายหัวเป่า และหัวเป่าแบบแบน
 - เนื่องจากการค้นคว้าวิจัยและพัฒนาอย่างต่อเนื่อง ข้อมูลจำเพาะในเอกสารฉบับนี้อาจเปลี่ยนแปลงได้โดยไม่ต้องแจ้งให้ทราบล่วงหน้า
 - ข้อมูลจำเพาะอาจแตกต่างกันไปในแต่ละประเทศ
 - น้ำหนักอาจแตกต่างกันไปตามอุปกรณ์เสริม รวมถึงตลับแบตเตอรี่ การติดอุปกรณ์เสริมที่เบาที่สุดและหนักที่สุดตามข้อกำหนดของ EPTA 01/2014 มีแสดงอยู่ในตาราง

ตลับแบตเตอรี่และเครื่องชาร์จที่ใช้ได้

ตลับแบตเตอรี่	BL1815N / BL1820B / BL1830B / BL1840B / BL1850B / BL1860B
เครื่องชาร์จ	DC18RC / DC18RD / DC18RE / DC18SD / DC18SE / DC18SF / DC18SH

- ตลับแบตเตอรี่และเครื่องชาร์จบางรายการที่แสดงอยู่ด้านบนอาจไม่มีวางจำหน่ายขึ้นอยู่กับภูมิภาคที่คุณอาศัยอยู่

คำเตือน: ใช้ตลับแบตเตอรี่และเครื่องชาร์จที่ระบุไว้ข้างบนเท่านั้น การใช้ตลับแบตเตอรี่และเครื่องชาร์จประเภทอื่นอาจก่อให้เกิดความเสี่ยงที่จะได้รับบาดเจ็บและ/หรือเกิดไฟไหม้











แหล่งจ่ายไฟแบบเชื่อมต่อสายไฟที่แนะนำ

อะแดปเตอร์แปลงไฟแบตเตอรี่	BAP182
สายไฟเชื่อมต่อชุดแบตเตอรี่	BL36120A
ชุดต้นกำลังแบบพกพา	PDC01 / PDC1200

- แหล่งจ่ายไฟแบบเชื่อมต่อสายไฟตามรายการด้านบนอาจไม่มีจำหน่ายขึ้นอยู่กับภูมิภาคที่คุณอยู่
- ก่อนใช้งานแหล่งจ่ายไฟแบบเชื่อมต่อสายไฟให้อ่านคำแนะนำและเครื่องหมายเตือนที่ติดอยู่

สัญลักษณ์

ต่อไปนี้เป็นสัญลักษณ์ที่อาจใช้สำหรับอุปกรณ์ โปรดศึกษาความหมายของสัญลักษณ์ให้เข้าใจก่อนการใช้งาน

	ใช้ความระมัดระวังและความสนใจเป็นพิเศษ
	อ่านคู่มือการใช้งาน
	ดูแลให้มืออยู่ห่างจากชิ้นส่วนที่หมุนอยู่
	ลมที่ยาวอาจเข้าไปติดและทำให้เกิดอุบัติเหตุได้
	อย่าให้ผู้อื่นเข้ามาใกล้บริเวณที่ปฏิบัติงาน
	สวมใส่อุปกรณ์ป้องกันดวงตาและหู
	อย่าให้เครื่องมือโดนความชื้น
	สำหรับประเทศในสหภาพยุโรปเท่านั้น เนื่องจากในอุปกรณ์มีส่วนประกอบอันตราย ชยะจำพวกอุปกรณ์ไฟฟ้าและอิเล็กทรอนิกส์ แบตเตอรี่ และหม้อแบตเตอรี่จึงอาจส่งผลกระทบต่อสิ่งแวดล้อมและสุขภาพของมนุษย์ในเชิงลบ อย่าทิ้งเครื่องใช้ไฟฟ้าและอิเล็กทรอนิกส์หรือแบตเตอรี่รวมกับวัสดุเหลือทิ้งในครัวเรือน! เพื่อให้เป็นไปตามกฎระเบียบของยุโรปว่าด้วยขยะจำพวกอุปกรณ์ไฟฟ้าและอิเล็กทรอนิกส์ และหม้อสะสมไฟฟ้าและแบตเตอรี่ และขยะจำพวกหม้อสะสมไฟฟ้าและแบตเตอรี่ รวมถึงการบังคับใช้ตามกฎหมายภายในประเทศ ควรมีการจัดเก็บขยะจำพวกอุปกรณ์ไฟฟ้า แบตเตอรี่ และหม้อสะสมไฟฟ้าแยกต่างหากและส่งไปยังจุดรับขยะต่างหากในแต่ละเทศบาลซึ่งมีการดำเนินการตามระเบียบว่าด้วยการดูแลสิ่งแวดล้อม โดยระบุด้วยสัญลักษณ์นี้สันคาคขวางรูปถังขยะแบบมีล้อไว้บนอุปกรณ์
	ผ่านการรับรองระดับพลังงานเสียงตามกฎระเบียบว่าด้วยเสียงรบกวนภายนอกของสหภาพยุโรป
	ระดับพลังงานเสียงตามข้อบังคับการควบคุมเสียงรบกวนของรัฐนิวเซาท์เวลส์ ประเทศออสเตรเลีย

จุดประสงค์การใช้งาน

เครื่องนี้ใช้สำหรับเป่าและดูดลม

คำเตือนด้านความปลอดภัย

คำเตือนด้านความปลอดภัยของเครื่องเป่าลมไร้สาย

คำเตือน: อ่านคำเตือนด้านความปลอดภัยและคำแนะนำทั้งหมด การไม่ปฏิบัติตามคำเตือนและคำแนะนำดังกล่าวอาจส่งผลให้ไฟฟ้ายึด ไฟไหม้ และ/หรือได้รับบาดเจ็บร้ายแรง

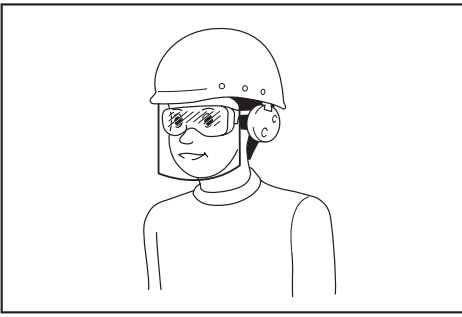
เก็บรักษาคำเตือนและคำแนะนำทั้งหมดไว้เป็นข้อมูลอ้างอิงในอนาคต

การฝึกปฏิบัติ

1. อ่านคำแนะนำอย่างละเอียด ลองควบคุมและใช้เครื่องมือด้วยวิธีที่ถูกต้องจนคุ้นเคย
2. ห้ามให้เด็ก บุคคลที่มีความบกพร่องทางร่างกาย ทางประสาทสัมผัส หรือทางสภาพจิตใจ หรือขาดประสบการณ์และความรู้ หรือบุคคลที่ไม่คุ้นเคยกับคำแนะนำตีพื่อใช้งานเครื่องนี้ ข้อบังคับท้องถิ่นอาจมีการจำกัดอายุของผู้ปฏิบัติงาน
3. ห้ามใช้งานเครื่องมือของผู้อื่น โดยเฉพาะเด็กหรือสัตว์เลี้ยงอยู่ใกล้เคียง
4. โปรดพึงระลึกไว้เสมอว่าผู้ปฏิบัติงานและผู้ใช้งานจะเป็นผู้รับผิดชอบต่ออุบัติเหตุหรืออันตรายต่างๆ ที่เกิดขึ้นต่อผู้อื่นหรือทรัพย์สินของผู้อื่น

การเตรียมความพร้อม

1. ใส่รองเท้าที่แข็งแรงและกางเกงขายาวระหว่างที่ใช้งานเครื่องมือ
2. อย่าสวมใส่เสื้อผ้าที่รุ่มร่ามหรือเครื่องประดับที่อาจถูกดูดเข้าไปในช่องลมเข้า เก็บผมให้เรียบร้อยให้ห่างจากช่องลมเข้า
3. สวมใส่แว่นครอบตานิรภัยเพื่อปกป้องดวงตาของคุณจากการบาดเจ็บเมื่อใช้เครื่องมือไฟฟ้า แวนครอบตาจะต้องได้มาตรฐาน ANSI Z87.1 ในสหรัฐ, EN 166 ในยุโรป หรือ AS/NZS 1336 ในออสเตรเลีย/นิวซีแลนด์ ในออสเตรเลีย/นิวซีแลนด์ จะต้องสวมเกราะป้องกันใบหน้าเพื่อปกป้องใบหน้าของคุณอย่างถูกต้องตามกฎหมายด้วย



ผู้ว่าจ้างมีหน้าที่รับผิดชอบในการบังคับผู้ใช้งานเครื่องมือและบุคคลอื่น ๆ ที่อยู่ในบริเวณที่ปฏิบัติงานให้ใช้อุปกรณ์ป้องกันที่เหมาะสม

4. ตรวจสอบใส่หน้ากากเพื่อป้องกันความระคายเคืองจากฝุ่น
5. ขณะใช้งานเครื่องมือ ให้สวมใส่รองเท้าที่มีการป้องกัน และมีพื้นกันลื่นเสมอ รองเท้าและรองเท้าบูตนิรภัยที่มีพื้นกันลื่นและเปิดปลายเท้าจะช่วยลดความเสี่ยงในการได้รับบาดเจ็บ
6. ใช้อุปกรณ์ป้องกันส่วนบุคคล สวมแว่นตาป้องกันเสมอ อุปกรณ์ป้องกัน เช่น หน้ากากกันฝุ่น รองเท้านิรภัยกันลื่น หมวกนิรภัย หรือเครื่องป้องกันการได้ยินที่ใช้ในสภาพที่เหมาะสมจะช่วยลดการบาดเจ็บ

การใช้งาน

1. ปิดสวิตช์เครื่องมือและถอดด้ามแบตเตอรี่ออกจากนั้นตรวจสอบให้แน่ใจว่าชิ้นส่วนหมุนทั้งหมดได้หยุดทำงานแล้ว
 - ทุกครั้งที่คุณละออกจากเครื่อง
 - ก่อนกำจัดสิ่งอุดตัน
 - ก่อนทำการตรวจสอบ ทำความสะอาด หรือทำงานใดๆ กับเครื่อง
 - หากเครื่องมือเริ่มสั่นอย่างผิดปกติ
 - เมื่อใดก็ตามที่คุณเปลี่ยนเครื่องมือจากเครื่องเป่าลมเป็นเครื่องดูดลม หรือสลับกัน
2. ใช้เครื่องมือเฉพาะตอนกลางวันหรือขณะมีแสงสว่างเพียงพอเท่านั้น
3. อย่าใช้เครื่องมือเป่าลมแบบสุดเอื้อม ควรรักษาความสมดุลและยืนอย่างมั่นคงทุกครั้ง
4. รักษาท่ายืนบนทางลาดให้เหมาะสมเสมอ
5. โปรดเดิน ห้ามวิ่ง
6. รักษาช่องระบายความร้อนทั้งหมดให้สะอาดปราศจากสิ่งสกปรก

7. ขณะที่ใช้งานเครื่องเป่าลม ห้ามเป่าสิ่งสกปรกไปในทิศทางของผู้ที่อยู่ใกล้เคียง ขณะที่ใช้งานเครื่องดูดฝุ่น ระวังอย่าเป่าสิ่งสกปรกไปในทิศทางของผู้ที่อยู่ใกล้เคียงด้วยไอเสียที่ออกมาจากงัดฝุ่น
8. ใช้งานเครื่องมือในตำแหน่งที่แนะนำ และบนพื้นผิวที่มั่นคง
9. อย่าใช้งานเครื่องมือในที่สูง
10. อย่าชี้หัวเป่าไปที่บุคคลที่อยู่บริเวณใกล้เคียงขณะใช้เครื่องมือ
11. อย่าอุดช่องดูดลมและ/หรือช่องเป่าลมเด็ดขาด
 - ระวังอย่าให้ฝุ่นหรือสิ่งสกปรกมาอุดทางเข้าของช่องดูดลมหรือช่องเป่าลมเมื่อทำงานในพื้นที่ที่มีฝุ่นมาก
 - อย่าให้หัวเป่านอกเหนือจากหัวเป่าที่กำหนดโดย Makita
 - อย่าใช้เครื่องเป่าลมกับลูกบอลสุบลม เรือยาง หรือสิ่งที่มีลักษณะใกล้เคียงกับที่กล่าวมา
12. อย่าใช้งานเครื่องมือใกล้หน้าต่างที่เปิดอยู่ ฯลฯ
13. ควรใช้งานเครื่องมือในช่วงเวลาที่เหมาะสมเท่านั้น ไม่ใช้งานเข้าเกินโปรหรือตึกเกินไป เนื่องจากอาจรบกวนบุคคลอื่นได้
14. ควรใช้ควาดหรือไม้กวาดทำให้เศษต่างๆ กระจายตัวก่อนการเป่า
15. หากเครื่องมือปะทะกับวัตถุแปลกปลอม หรือเริ่มส่งเสียงหรือสั่นผิดปกติ ให้ปิดสวิตช์ให้เครื่องมือหยุดทำงานทันที ถอดด้ามแบตเตอรี่ออกจากเครื่องมือ และตรวจสอบเครื่องมือเพื่อหาความเสียหายก่อนที่จอร์สตัดาร์และใช้งานเครื่องมือ หากเครื่องมือชำรุด โปรดสอบถามศูนย์บริการที่ได้รับบริการรับรองของ Makita เพื่อรับการซ่อม
16. อย่าสอดนิ้วหรือวัตถุใดๆ เข้าไปในช่องดูดลมหรือช่องเป่าลม
17. ป้องกันไม่ให้เกิดการเปิดใช้งานโดยไม่ตั้งใจ ตรวจสอบให้แน่ใจว่าสวิตช์อยู่ที่ตำแหน่งปิด ก่อนทำการใส่ด้ามแบตเตอรี่ และก่อนยกหรือถือเครื่องมือ การถือเครื่องมือโดยที่นิ้วอยู่ตรงสวิตช์ หรือการเคลื่อนที่เครื่องมือโดยที่สวิตช์เปิดอยู่อาจทำให้เกิดอุบัติเหตุได้
18. อย่าเป่าหรือดูวัตถุอันตราย เช่น เล็บ เศษแก้ว หรือใบมีด
19. อย่าใช้เครื่องมือใกล้กับวัสดุที่ติดไฟได้
20. หลีกเลี่ยงการใช้งานเครื่องมือเป็นเวลานานในสภาพแวดล้อมที่มีอุณหภูมิต่ำ

21. ขณะที่ใช้งานเครื่องเป่าลมร่วมกับอะแดปเตอร์แบบเดือที่ติดตั้งไว้กับสายสะพานไหล อย่าใช้งานเครื่องโดยที่สายสะพานไหลติดอยู่กับเครื่อง
22. ขณะที่คุณกำลังประกอบถุงดักฝุ่นเข้าไปเพื่อทำการดูด อย่าใช้เครื่องมือนี้ร่วมกับอะแดปเตอร์แบบเดือที่ติดตั้งไว้กับสายสะพานไหล

การบำรุงรักษาและการเก็บรักษา

1. ตรวจสอบว่าหีต สลักเกลียว และสกรูทั้งหมดขันแน่นอยู่หรือไม่ เพื่อให้แน่ใจว่าเครื่องมืออยู่ในสภาพที่ปลอดภัยสำหรับการทำงาน
2. หากชิ้นส่วนสึกหรอหรือชำรุดให้เปลี่ยนชิ้นส่วนด้วยชิ้นส่วนที่กำหนดโดย Makita
3. จัดเก็บเครื่องมือในที่ที่แห้ง ห่างจากมือเด็ก
4. เมื่อคุณหยุดเครื่องมือเพื่อทำการตรวจสอบ ซ่อมบำรุง จัดเก็บ หรือเปลี่ยนอุปกรณ์เสริม ให้ปิดสวิตช์เครื่องมือและตรวจสอบให้แน่ใจว่าชิ้นส่วนที่เคลื่อนไหวทั้งหมดหยุดสนิท และถอดด้ามแบตเตอรี่ออก รอให้เครื่องมือเย็นลงก่อนที่จะทำงานใดๆ กับเครื่องมือดูแลเครื่องมือด้วยความระมัดระวังและโปรดรักษาความสะอาด
5. ทิ้งให้เครื่องมือเย็นลงก่อนการจัดเก็บเสมอ
6. อย่าให้เครื่องมือโดนฝน เก็บเครื่องมือในที่ร่ม
7. เมื่อคุณยกเครื่องมือ โปรดแน่ใจว่าได้ออกเช่าและระวังอย่าให้หลังบาดเจ็บ

การใช้งานและดูแลเครื่องมือที่ใช้แบตเตอรี่

1. ชาร์จไฟใหม่ด้วยเครื่องชาร์จที่ระบุโดยผู้ผลิตเท่านั้น เครื่องชาร์จที่เหมาะสมสำหรับชุดแบตเตอรี่ประเภทหนึ่ง อาจเสี่ยงที่จะเกิดไฟไหม้หากนำไปใช้กับชุดแบตเตอรี่อีกประเภทหนึ่ง
2. ใช้เครื่องมือไฟฟ้ากับชุดแบตเตอรี่ที่กำหนดมาโดยเฉพาะเท่านั้น การใช้ชุดแบตเตอรี่ประเภทอื่นอาจทำให้เสี่ยงที่จะได้รับบาดเจ็บและเกิดไฟไหม้
3. เมื่อไม่ใช้งานชุดแบตเตอรี่ ให้เก็บห่างจากวัตถุที่เป็นโลหะอื่นๆ เช่น คลิปหนีบกระดาษ เหรียญ กุญแจ กรรไกรตัดเล็บ สกรู หรือวัตถุที่เป็นโลหะขนาดเล็กอื่นๆ ที่สามารถเชื่อมต่อชั่วคราวกับอีกขั้วหนึ่งได้ การลัดวงจรขั้วแบตเตอรี่อาจทำให้ร้อนจัดหรือเกิดไฟไหม้
4. ในกรณีที่ใช้งานไม่ถูกต้อง อาจมีของเหลวไหลออกจากแบตเตอรี่ ให้หลีกเลี่ยงการสัมผัส หากสัมผัสโดนของเหลวโดยไม่ตั้งใจ ให้ล้างออกด้วยน้ำ หากของเหลวกระเด็นเข้าตา ให้รีบไปพบแพทย์ ของเหลวที่ไหลออกจากแบตเตอรี่อาจทำให้ผิวหนังระคายเคืองหรือไหม้

5. ห้ามใช้ชุดแบตเตอรี่หรือเครื่องมือที่ชำรุดหรือมีการแก้ไข แบตเตอรี่ที่เสียหายหรือมีการแก้ไขอาจทำให้เกิดสิ่งที่ไม่ดีได้ เช่น ไฟไหม้ ระเบิด หรือเสี่ยงต่อการบาดเจ็บ
6. ห้ามให้ชุดแบตเตอรี่อยู่ใกล้ไฟ หรือบริเวณที่มีอุณหภูมิสูงเกิน หากโดนไฟ หรืออุณหภูมิสูงเกิน 130 °C อาจก่อให้เกิดการระเบิดได้
7. กรุณาปฏิบัติตามคำแนะนำสำหรับชาร์จไฟ และห้ามชาร์จแบตเตอรี่หรือเครื่องมือในบริเวณที่มีอุณหภูมิไม่เหมาะสม หรืออุณหภูมิไม่เหมาะสมไปจากช่วงอุณหภูมิที่ระบุในคำแนะนำอาจทำให้แบตเตอรี่เสียหายและเป็นการเพิ่มความเสี่ยงในการเกิดไฟไหม้

ความปลอดภัยทางไฟฟ้าและแบตเตอรี่

1. อย่าก่อกำจัดแบตเตอรี่ในไฟ แบตเตอรี่อาจระเบิดได้ ตรวจสอบรหัสท้องถิ่นสำหรับคำแนะนำเกี่ยวกับการกำจัดทิ้งแบบพิเศษ
2. อย่าเปิดหรือทำให้แบตเตอรี่เสียหาย อิเล็กโทรไลต์ที่ถูกปล่อยออกมามีคุณสมบัติกัดกร่อน และอาจทำลายดวงตาหรือผิวหนังได้ อาจเป็นพิษหากกลืนกินเข้าไป
3. อย่าชาร์จแบตเตอรี่กลางฝนหรือในสถานที่ที่เปียก
4. ห้ามชาร์จไฟนอกบ้าน หรือกลางแจ้ง
5. ห้ามจับอุปกรณ์ชาร์จรวมถึงปลั๊กเครื่องชาร์จและขั้วอุปกรณ์ชาร์จด้วยมือที่เปียก
6. หลีกเลี่ยงการใช้งานในสภาพแวดล้อมที่อันตราย ห้ามใช้เครื่องมือในพื้นที่เปียกชื้นหรือโดนเม็ดฝน น้ำที่เข้าไปในเครื่องมือจะเพิ่มความเสี่ยงในการเกิดไฟฟ้าย้อน

การซ่อมบำรุง

1. นำเครื่องมือไฟฟ้าเข้ารับบริการจากช่างซ่อมที่ผ่านการรับรองโดยใช้อะไหล่แบบเดียวกันเท่านั้น เพราะจะทำให้การใช้เครื่องมือไฟฟ้ามีความปลอดภัย
2. ห้ามใช้ชุดแบตเตอรี่ที่เสียหาย ชุดแบตเตอรี่ที่ใช้ควรเป็นชุดที่มาจากผู้ผลิต หรือผู้ให้บริการที่ได้รับอนุญาตเท่านั้น

ปฏิบัติตามคำแนะนำเหล่านี้

⚠ คำเตือน: อย่าให้ความไม่ระมัดระวังหรือความคุ้นเคยกับผลิตภัณฑ์ (จากการใช้งานซ้ำหลายครั้ง) อยู่เหนือการปฏิบัติตามกฎเกณฑ์ด้านความปลอดภัยในการใช้งานผลิตภัณฑ์อย่างเคร่งครัด

การใช้งานอย่างไม่เหมาะสมหรือการไม่ปฏิบัติตามกฎเกณฑ์ด้านความปลอดภัยในคู่มือการใช้งานนี้อาจทำให้ได้รับบาดเจ็บรุนแรง

คำแนะนำเพื่อความปลอดภัยที่สำคัญสำหรับ ดัลล์แบตเตอรี่

- ก่อนใช้งานดัลล์แบตเตอรี่ให้อ่านคำแนะนำและ
เครื่องหมายเตือนทั้งหมดบน (1) เครื่องชาร์จ
แบตเตอรี่ (2) แบตเตอรี่ และ (3) ตัวผลิตภัณฑ์ที่ใช้
แบตเตอรี่
 - อย่าถอดแยกชิ้นส่วนหรือทำการดัดแปลงดัลล์
แบตเตอรี่ เนื่องจากอาจทำให้เกิดไฟไหม้ ความร้อนที่
สูงเกินไป หรือระเบิดได้
 - หากระยะเวลาที่เครื่องทำงานสั้นเกินไป ให้หยุดใช้งาน
ทันที เนื่องจากอาจมีความเสี่ยงที่จะร้อนจัดไหม้หรือ
ระเบิดได้
 - หากสารละลายอิเล็กโทรไลต์กระเด็นเข้าตา ให้ล้าง
ออกด้วยน้ำเปล่าและรีบไปพบแพทย์ทันที เนื่องจาก
อาจทำให้ตาบอด
 - ห้ามลัดวงจรดัลล์แบตเตอรี่:
 - ห้ามแตะขั้วกับวัตถุที่เป็นสื่อไฟฟ้าใดๆ
 - หลีกเลี่ยงการเก็บดัลล์แบตเตอรี่ไว้ในภาชนะร่วมกับวัตถุที่เป็นโลหะ เช่น กรรไกรตัดเล็บ เหรียญ
 ฯลฯ
 - อย่าให้ดัลล์แบตเตอรี่ถูกน้ำหรือฝน
แบตเตอรี่ลัดวงจรอาจทำให้เกิดการไหลของกระแส
ไฟฟ้า ร้อนจัดไหม้หรือเสียหายได้
 - ห้ามเก็บและใช้เครื่องมือและดัลล์แบตเตอรี่ไว้ในสถานที่
ที่มีอุณหภูมิสูงถึงหรือเกิน 50 °C (122 °F)
 - ห้ามเผาดัลล์แบตเตอรี่ทิ้ง แม้ว่าแบตเตอรี่จะเสียหาย
จนใช้การไม่ได้หรือเสื่อมสภาพแล้ว ดัลล์แบตเตอรี่
อาจจะระเบิดในกองไฟ
 - อย่าตอกตะปู ตัด บด ขั้วหรือทำดัลล์แบตเตอรี่
หล่นพื้น หรือกระแทกดัลล์แบตเตอรี่กับวัตถุของแข็ง
การกระทำดังกล่าวอาจส่งผลให้เกิดไฟไหม้ ความร้อน
ที่สูงเกินไป หรือระเบิดได้
 - ห้ามใช้แบตเตอรี่ที่เสียหาย
 - แบตเตอรี่รีไซเคิลมีไอออนที่มีมาให้นั้นเป็นไปตามข้อ
กำหนดของ Dangerous Goods Legislation
สำหรับการขนส่งเพื่อการพาณิชย์ เช่น โดยบุคคลที่
สาม ตัวแทนขนส่งสินค้า จะต้องตรวจสอบข้อกำหนด
พิเศษในด้านการบรรจุหีบห่อหรือการติดป้ายสินค้า
ในการเตรียมสินค้าที่จะขนส่ง ให้ปรึกษาผู้เชี่ยวชาญ
ด้านวัตถุอันตราย โปรดตรวจสอบข้อกำหนดใน
ประเทศที่อาจมีรายละเอียดอื่นๆ เพิ่มเติม
ให้ติดแถบหรือปิดหน้าสัมผัสและห่อแบตเตอรี่ใน
ลักษณะที่แบตเตอรี่จะไม่เคลื่อนที่ไปมาในหีบห่อ
- เมื่อกำจัดดัลล์แบตเตอรี่ ให้ถอดดัลล์แบตเตอรี่ออก
จากเครื่องมือและกำจัดในสถานที่ที่ปลอดภัย ปฏิบัติ
ตามข้อบังคับในท้องถิ่นเกี่ยวกับการกำจัดแบตเตอรี่
 - ใช้แบตเตอรี่กับผลิตภัณฑ์ที่ระบุโดย Makita เท่านั้น
การติดตั้งแบตเตอรี่ในผลิตภัณฑ์ที่ไม่ใช่ตามที่ระบุอาจ
ทำให้เกิดไฟไหม้ ความร้อนสูง ระเบิด หรืออิเล็กทรอนิกส์
ลัดวงจรไหลได้
 - หากไม่ใช่เครื่องมือเป็นระยะเวลานาน จะต้องถอด
แบตเตอรี่ออกจากเครื่องมือ
 - ในระหว่างและหลังการใช้งาน ดัลล์แบตเตอรี่อาจร้อน
ซึ่งอาจลวกผิวหรือทำให้ผิวไหม้ที่อุณหภูมิต่ำได้ โปรด
ระมัดระวังในการจัดการกับแบตเตอรี่ที่ร้อน
 - อย่าสัมผัสขั้วของเครื่องมือทันทีหลังจากการใช้งาน
เนื่องจากอาจมีความร้อนพอที่จะทำให้ผิวไหม้ได้
 - อย่าปล่อยให้เศษวัสดุ ฝุ่นผง หรือดินเข้าไปติดอยู่ใน
ขั้ว รู และร่องของดัลล์แบตเตอรี่ เนื่องจากอาจทำให้
เครื่องมือหรือดัลล์แบตเตอรี่มีประสิทธิภาพลดลงหรือ
เสียหายได้
 - หากเครื่องมือไม่รองรับสายไฟแรงดันสูง อย่าใช้ดัลล์
แบตเตอรี่ใกล้กับสายไฟแรงดันสูง เนื่องจากเครื่องมือ
หรือดัลล์แบตเตอรี่อาจทำงานผิดปกติหรือเสียหายได้
 - เก็บแบตเตอรี่ให้ห่างจากเด็ก

ปฏิบัติตามคำแนะนำเหล่านี้

⚠️ ข้อควรระวัง: ใช้แบตเตอรี่ของแท้จาก Makita เท่านั้น
การใช้แบตเตอรี่ Makita ที่ไม่แท้ หรือแบตเตอรี่ที่ถูก
เปลี่ยน อาจทำให้แบตเตอรี่ระเบิด ก่อให้เกิดเพลิงลุกไหม้
การบาดเจ็บ และความเสียหายได้ และจะทำให้การรับ
ประกันของ Makita สำหรับเครื่องมือและแท่นชาร์จของ
Makita เป็นโมฆะด้วย

เคล็ดลับในการรักษาอายุการใช้งานของ แบตเตอรี่ให้ยาวนานที่สุด

- ชาร์จดัลล์แบตเตอรี่ก่อนที่ไฟจะหมด หยุดการใช้
งานแล้วชาร์จประจุไฟฟ้าใหม่ทุกครั้งเมื่อคุณรู้สึกว่า
อุปกรณ์มีกำลังลดลง
- อย่าชาร์จดัลล์แบตเตอรี่ที่มีไฟเต็มแล้ว การชาร์จ
ประจุไฟฟ้ามากเกินไปอาจจะทำให้อายุการใช้งานของ
ดัลล์แบตเตอรี่สั้นลง
- ชาร์จประจุไฟฟ้าดัลล์แบตเตอรี่ในห้องที่มีอุณหภูมิ
ระหว่าง 10 °C - 40 °C ปล่อยให้ดัลล์แบตเตอรี่เย็น
ลงก่อนที่จะชาร์จไฟ
- เมื่อไม่ใช่ดัลล์แบตเตอรี่ ให้ถอดออกจากเครื่องมือหรือ
เครื่องชาร์จ

5. ชาร์จไฟดัลล์แบตเตอรี่หากคุณไม่ต้องการใช้เป็นเวลา นาน (เกินกว่าหกเดือน)

การประกอบ

⚠ ข้อควรระวัง: ตรวจสอบให้แน่ใจว่าได้ปิดสวิตช์เครื่องมือและถอดดัลล์แบตเตอรี่ออกก่อนดำเนินการใดๆ กับเครื่องมือเสมอ

ข้อสังเกต: ก่อนใช้งานเครื่องมือ ตรวจสอบให้แน่ใจว่าได้ประกอบเครื่องมืออย่างสมบูรณ์ ไม่เช่นนั้น เครื่องมือจะไม่ทำงาน

การประกอบเพื่อเป่าลม

การติดตั้งหรือการถอดท่อเครื่องเป่าลมและหัวเป่า

1. ติดท่อเครื่องเป่าลมเข้ากับตัวเครื่องหลัก

ใส่ท่อเครื่องเป่าลมเข้าไปในตัวเครื่องหลักโดยให้สลักเกลียวหัวหันหน้าไปทางซ้ายตามที่แสดงในภาพ หมุนท่อเครื่องเป่าลมตามที่แสดงในภาพเพื่อให้สลักเกลียวตรงกับรูบนตัวเครื่องหลัก จากนั้นให้ขันสลักเกลียวให้แน่นโดยใช้ประแจหกเหลี่ยม

▶ **หมายเลข 1:** 1. สลักเกลียว 2. ท่อเครื่องเป่าลม

2. จัดส่วนที่ยื่นออกมาของท่อเครื่องเป่าลมให้ตรงกับร่องบนปลายหัวเป่า จากนั้นให้ตัดปลายหัวเป่าเข้ากับท่อเครื่องเป่าลม แล้วหมุนปลายหัวเป่าให้ล็อกเข้าที่

▶ **หมายเลข 2:** 1. ปลายหัวเป่า 2. ท่อเป่าลม

เมื่อต้องการถอดท่อเครื่องเป่าลมและปลายหัวเป่า ให้ทำตามขั้นตอนการติดตั้งในแบบย้อนกลับ

หมายเหตุ: อาจปรับความยาวของหัวต่อได้โดยการขยับหัวต่อตามแบบในภาพ

▶ **หมายเลข 3:** 1. ปลายหัวเป่า 2. ท่อเป่าลม

การติดตั้งหรือการถอดหัวเป่าแบบแบนหรือหัวเป่าเสริม

อุปกรณ์เสริม

ติดตั้งหัวเป่าแบบแบนหรือหัวเป่าเสริมเข้ากับปลายหัวเป่า จากนั้นหมุนเพื่อล็อกให้เข้าที่

▶ **หมายเลข 4:** 1. หัวเป่าแบบแบน 2. หัวเป่าเสริม 3. ท่ออะแดปเตอร์

คุณสามารถติดตั้งหัวเป่าแบบแบนหรือหัวเป่าเสริมเข้ากับท่อเครื่องเป่าลม

▶ **หมายเลข 5:** 1. หัวเป่าแบบแบน 2. หัวเป่าเสริม 3. ท่อเครื่องเป่าลม

เมื่อต้องการถอดหัวเป่าแบบแบนหรือหัวเป่าเสริม ให้ทำตามขั้นตอนการติดตั้งในแบบย้อนกลับ

การติดตั้งหัวฉีดรางน้ำ

อุปกรณ์เสริม

หัวฉีดรางน้ำสามารถติดตั้งบนเครื่องเป่าลมได้ ท่ออะแดปเตอร์ที่ถูกต้องออกแบบมาสำหรับรุ่นนี้โดยเฉพาะจำเป็นต้องติดตั้งหัวฉีดรางน้ำ

สำหรับรายละเอียดเพิ่มเติม โปรดอ้างอิงคู่มือการใช้งานที่แนบมากับหัวฉีดรางน้ำ

การติดตั้งสายสะพายไหล่

⚠ ข้อควรระวัง: ตรวจสอบให้แน่ใจว่าได้ติดตั้งขอเกี่ยวของสายสะพายไหล่เข้ากับเครื่องอย่างแน่นหนาแล้ว หากไม่ติดตั้งขอเกี่ยวอย่างสมบูรณ์ ขอเกี่ยวอาจหลุดออกและทำให้ได้รับบาดเจ็บได้

⚠ ข้อควรระวัง: ตรวจสอบให้แน่ใจว่าได้ใช้สายสะพายไหล่เฉพาะสำหรับเครื่องมือนี้ การใช้สายสะพายไหล่อื่น ๆ อาจทำให้ได้รับบาดเจ็บได้

⚠ ข้อควรระวัง: เมื่อคุณใช้เครื่องร่วมกับแหล่งจ่ายไฟแบบสะพายหลัง เช่น ชุดต้นกำลังแบบพกพา อย่าใช้สายสะพายไหล่ที่รวมอยู่ในชุดเครื่องแต่ให้ใช้สายแขวนที่ Makita แนะนำ

หากคุณใช้สายสะพายไหล่ที่รวมอยู่ในชุดเครื่องและสายสะพายไหล่ของแหล่งจ่ายไฟแบบสะพายหลังพร้อมกัน การถอดเครื่องหรือแหล่งจ่ายไฟแบบสะพายหลังจะทำให้ยากในกรณีฉุกเฉิน และอาจก่อให้เกิดอุบัติเหตุหรือการบาดเจ็บ สำหรับสายแขวนที่แนะนำ ให้สอบถามศูนย์บริการที่ได้รับบริการรับรองจาก Makita

ติดตั้งขอเกี่ยวของสายสะพายไหล่เข้ากับเครื่องดังที่แสดงในภาพ

▶ **หมายเลข 6:** 1. ขอเกี่ยว

สายสะพายไหล่มีคุณสมบัติที่ปลดออกได้อย่างรวดเร็ว บีบที่ด้านข้างของหัวเข็มขัดเพื่อปลดเครื่องมือออกจากสายสะพายไหล่

▶ **หมายเลข 7:** 1. หัวเข็มขัด

▶ **หมายเลข 8:** 1. หัวเข็มขัด

การประกอบเพื่อชุด

⚠ ข้อควรระวัง: ขณะทำการชุด ให้ติดตั้งหัวชุดเข้ากับท่อชุดเสมอ

⚠ ข้อควรระวัง: เพื่อการใช้งานอย่างปลอดภัย อย่าถอดหัวชุดออกจากท่อชุดหลังจากที่ได้ประกอบเข้ากันแล้ว อย่าฝืนถอดหัวชุดหลังจากประกอบเข้ากันแล้ว มิฉะนั้นอาจเกิดความเสียหายได้

การติดตั้งหรือการถอดท่อชุดและหัวชุด

อุปกรณ์เสริม

1. จัดเครื่องหมายสามเหลี่ยมบนหัวชุดให้ตรงกับเครื่องหมายบนท่อชุด จากนั้นจึงใส่หัวชุดเข้าไปในท่อชุดจนกระทั่งตัวล็อกบนหัวชุดล็อกเข้าที่

▶ **หมายเลข 9:** 1. หัวชุด 2. ท่อชุด 3. เครื่องหมายสามเหลี่ยม

2. คลายสลักเกลียวบนฝาครอบพัคลมโดยใช้ประแจหกเหลี่ยมและเปิดฝาครอบพัคลม

▶ **หมายเลข 10:** 1. สลักเกลียว 2. ฝาครอบพัคลม 3. ประแจหกเหลี่ยม

3. จัดเครื่องหมายสามเหลี่ยมบนท่อชุดให้ตรงกับเครื่องหมาย บนตัวเครื่องหลัก จากนั้นให้ติดตั้งท่อชุดเข้ากับตัวเครื่องหลัก

▶ **หมายเลข 11:** 1. ท่อชุด 2. เครื่องหมายสามเหลี่ยม 3. เครื่องหมาย

4. หมุนท่อชุดตามเข็มนาฬิกาเพื่อให้สลักเกลียวบนท่อตรงกับรูบนตัวเครื่องหลัก จากนั้นจึงยึดสลักเกลียวให้แน่นโดยใช้ประแจหกเหลี่ยมเพื่อยึดท่อไว้กับตัวเครื่องหลัก

▶ **หมายเลข 12:** 1. ท่อชุด 2. สลักเกลียว

เมื่อต้องการถอดท่อชุดและหัวชุด ให้ทำตามขั้นตอนการติดตั้งในแบบย้อนกลับ

การติดตั้งหรือการถอดท่ออและถุงดักฝุ่น

อุปกรณ์เสริม

1. ใส่ท่ออเข้าไปในถุงดักฝุ่นและรัดเข็มขัดเพื่อยึดท่ออตามที่แสดงในภาพ

▶ **หมายเลข 13:** 1. ถุงดักฝุ่น 2. ท่ออ 3. เข็มขัด

2. ติดท่ออเข้ากับตัวเครื่องหลัก

ใส่ท่ออเข้าไปในตัวเครื่องหลักโดยให้สลักเกลียวหันหน้าไปทางซ้ายตามที่แสดงในภาพ หมุนท่ออตามที่แสดงในภาพเพื่อให้สลักเกลียวตรงกับรูบนตัวเครื่องหลัก จากนั้นให้ขันสลักเกลียวให้แน่นโดยใช้ประแจหกเหลี่ยม

▶ **หมายเลข 14:** 1. สลักเกลียว 2. ท่ออ

3. ติดตั้งขอกเกี่ยวของถุงดักฝุ่นเข้ากับมือจับรองตั้งที่แสดงในภาพ

ปรับความยาวของสายสะพาย แล้วพับสายสะพายที่เหลือและติดไว้กับสายรัดแถบเวลโคร

▶ **หมายเลข 15:** 1. ขอกเกี่ยว 2. มือจับรอง

4. ติดตั้งขอกเกี่ยวของสายสะพายไหล่เข้ากับมือจับเคลื่อนย้ายและมือจับรองตั้งที่แสดงในภาพ

ตรวจสอบให้แน่ใจว่าหัวเข็มขัดอยู่ด้านเดียวกับมือจับเคลื่อนย้าย

▶ **หมายเลข 16:** 1. ขอกเกี่ยว 2. มือจับเคลื่อนย้าย 3. มือจับรอง 4. หัวเข็มขัด

เมื่อต้องการถอดถุงดักฝุ่นและท่ออ ให้ทำตามขั้นตอนการติดตั้งในแบบย้อนกลับ

ขณะติดตั้งถุงดักฝุ่นขนาดเล็ก ให้เปิดซิปลงจากนั้นสอดท่ออเข้าไปในถุงดักฝุ่น และปิดซิปล็อกและรัดเข็มขัดให้แน่นเพื่อยึดท่ออ

▶ **หมายเลข 17:** 1. ซิป 2. ถุงดักฝุ่น 3. เข็มขัด 4. ท่ออ

คำอธิบายการทำงาน

⚠ ข้อควรระวัง: ตรวจสอบให้แน่ใจเสมอว่าปิดสวิตช์เครื่องและนำตลับแบตเตอรี่ออกแล้วก่อนทำการปรับหรือตรวจสอบฟังก์ชันของเครื่อง

การใส่หรือการถอดตลับแบตเตอรี่

⚠ ข้อควรระวัง: ปิดสวิตช์เครื่องก่อนทำการติดตั้งหรือการถอดตลับแบตเตอรี่เสมอ

⚠ ข้อควรระวัง: ถือเครื่องและตลับแบตเตอรี่ให้แน่นขณะใส่หรือถอดตลับแบตเตอรี่ หากไม่ถือเครื่องและตลับแบตเตอรี่ให้แน่นอาจทำให้เครื่องและแบตเตอรี่ลื่นหลุดออกจากมือของคุณ ซึ่งส่งผลให้เครื่องและตลับแบตเตอรี่เสียหาย รวมถึงทำให้ได้รับบาดเจ็บได้

⚠ ข้อควรระวัง: ใส่ตลับแบตเตอรี่เข้าจนสุดจนกระทั่งไม่เห็นไฟเตือนสีแดงเสมอ ไม่เช่นนั้นตลับแบตเตอรี่อาจหลุดออกจากเครื่องมือโดยไม่ได้ตั้งใจ ทำให้คุณหรือคนรอบข้างได้รับบาดเจ็บ

⚠ ข้อควรระวัง: อย่าฝืนติดตั้งตลับแบตเตอรี่โดยใช้แรงมากเกินไป หากตลับแบตเตอรี่ไม่เลื่อนเข้าไปโดยง่าย แสดงว่าใส่ไม่ถูกต้อง

▶ **หมายเลข 18:** 1. ซิลลี่แดง 2. ปุ่ม 3. ตลับแบตเตอรี่

การถอดตลับแบตเตอรี่ ให้เลื่อนปุ่มที่ด้านหน้าของตลับแล้วดึงออกจากเครื่อง

เมื่อต้องการติดตั้งตลับแบตเตอรี่ ให้จัดแนวสันบนตลับแบตเตอรี่ให้ตรงกับร่องบนตัวเครื่องมือ แล้วเลื่อนตลับแบตเตอรี่เข้าที่ ติดตั้งตลับแบตเตอรี่เข้าจนสุดจนกระทั่งล๊อคเข้าที่และได้ยินเสียงคลิก หากยังเห็นซิลลี่แดงที่ด้านบนของปุ่ม แสดงว่าตลับแบตเตอรี่ยังไม่ล๊อคเข้าที่

การระบุระดับพลังงานแบตเตอรี่ที่เหลืออยู่

สำหรับตลับแบตเตอรี่ที่มีตัวแสดงสถานะเท่านั้น

▶ **หมายเลข 19:** 1. ไฟแสดงสถานะ 2. ปุ่มตรวจสอบ

กดปุ่ม ตรวจสอบ บนตลับแบตเตอรี่เพื่อดูปริมาณแบตเตอรี่ที่เหลือ ไฟแสดงสถานะจะสว่างขึ้นเป็นเวลาสองสามวินาที

ไฟแสดงสถานะ			แบตเตอรี่ที่เหลือ
ไฟสว่าง	ดับ	กะพริบ	
■ ■ ■ ■	■ ■ ■ ■	■ ■ ■ ■	75% ถึง 100%
■ ■ ■ ■	■ ■ ■ ■	□ □ □ □	50% ถึง 75%
■ ■ ■ ■	□ □ □ □	□ □ □ □	25% ถึง 50%
■ ■ ■ ■	□ □ □ □	□ □ □ □	0% ถึง 25%
■ ■ ■ ■	□ □ □ □	□ □ □ □	ชาร์จไฟแบตเตอรี่
■ ■ ■ ■	□ □ □ □	□ □ □ □	แบตเตอรี่อาจจะเสีย

หมายเหตุ: ขึ้นอยู่กับสภาพการใช้งานและอุณหภูมิ โดยรอบ การแสดงสถานะอาจจะแตกต่างจากปริมาณแบตเตอรี่จริงเล็กน้อย

หมายเหตุ: ไฟแสดงสถานะดวงแรก (ซ้ายสุด) จะกะพริบเมื่อระบบป้องกันแบตเตอรี่ทำงาน

ระบบป้องกันเครื่อง/แบตเตอรี่

เครื่องนี้มีระบบป้องกันเครื่อง/แบตเตอรี่ ระบบนี้จะตัดไฟที่ส่งไปยังมอเตอร์โดยอัตโนมัติเพื่อยืดอายุการใช้งานเครื่องมือและแบตเตอรี่ เครื่องจะหยุดทำงานระหว่างการใช้งานโดยอัตโนมัติ หากเครื่องหรือแบตเตอรี่อยู่ภายใต้สถานการณ์ต่อไปนี้

การป้องกันโอเวอร์โหลด

เมื่อเครื่องมือหรือแบตเตอรี่ทำงานในลักษณะที่อาจใช้กระแสไฟฟ้าสูงผิดปกติ เครื่องมือจะหยุดทำงานโดยอัตโนมัติ และดวงไฟสำหรับโหมด 1 จะกะพริบเป็นสีเขียว ในสถานการณ์เช่นนี้ ให้ปิดเครื่องและหยุดการใช้งานที่ทำให้เครื่องทำงานหนักเกินไป จากนั้นเปิดเครื่องเพื่อเริ่มการทำงานอีกครั้ง

การป้องกันความร้อนสูงเกิน

เมื่อเครื่องมือหรือแบตเตอรี่มีความร้อนสูงเกินไป เครื่องมือจะหยุดทำงานโดยอัตโนมัติและดวงไฟสำหรับโหมด 1 จะสว่างขึ้นเป็นสีแดง ในกรณีเช่นนี้ให้ปล่อยให้เครื่องและแบตเตอรี่เย็นลงก่อนที่จะเปิดเครื่องอีกครั้ง

การป้องกันไฟหมด

เมื่อความจุแบตเตอรี่ไม่เพียงพอ เครื่องมือจะหยุดทำงานโดยอัตโนมัติและดวงไฟสำหรับโหมด 1 จะกะพริบเป็นสีแดง ในกรณีนี้ ให้ถอดแบตเตอรี่ออกจากเครื่องและนำแบตเตอรี่ไปชาร์จไฟ

สวิตช์ไฟหลัก

คำเตือน: ปิดสวิตช์ไฟหลักเสมอเมื่อไม่ได้ใช้งาน

การเปิดเครื่อง ให้กดสวิตช์ไฟหลัก ดวงไฟสำหรับโหมด 1 และโหมด 2 จะสว่างขึ้นเป็นสีเขียว การปิดเครื่อง ให้กดสวิตช์ไฟหลักค้างไว้จนกระทั่งดวงไฟสำหรับโหมด 1 และโหมด 2 ดับลง

► **หมายเลข 20:** (1) ดวงไฟสำหรับโหมด 1 (2) ดวงไฟสำหรับโหมด 2 (3) สวิตช์ไฟหลัก

คุณสามารถใช้เครื่องมือในโหมดดูด ในโหมดดูด ปริมาณการดูดจะน้อยกว่าในโหมดปกติ

เมื่อคุณเปิดเครื่อง เครื่องจะเริ่มทำงานในโหมดปกติ การใช้เครื่องมือในโหมดดูด ให้กดสวิตช์ไฟหลักเมื่อเปิดเครื่อง ดวงไฟสำหรับโหมด 2 จะดับลงและดวงไฟสำหรับโหมด 1 เท่านั้นที่จะสว่างขึ้นเป็นสีเขียว เมื่อคุณกดสวิตช์ไฟหลักอีกครั้ง เครื่องมือจะกลับสูโหมดปกติ และดวงไฟสำหรับโหมด 1 และโหมด 2 จะสว่างขึ้นเป็นสีเขียว

หมายเหตุ: ดวงไฟสำหรับโหมด 1 จะสว่างขึ้นเป็นสีเขียว หากเครื่องมือทำงานภายใต้สภาวะที่ไม่สามารถทำงานได้ สัญญาณไฟจะกะพริบในสภาวะใดสภาวะหนึ่งดังต่อไปนี้

- สวิตช์สั่งงานถูกดึงเมื่อสลักเกลียวบนฝาครอบปิดลมหรือท่อดูดไม่ได้ขันจนแน่น หรือสลักเกลียวบนท่อเครื่องเป่าลมหรือท่อไม่ได้ขันจนแน่น
- เครื่องมือเปิดทำงาน เมื่อก้านควบคุมไม่ได้กลับคืนที่ตำแหน่งปิดจนสุด หรือขณะที่คุณกำลังดึงสวิตช์สั่งงาน

หมายเหตุ: เครื่องนี้มีฟังก์ชันปิดเครื่องอัตโนมัติ เพื่อหลีกเลี่ยงการเริ่มใช้งานเครื่องมือโดยไม่ตั้งใจ สวิตช์ไฟหลักจะปิดโดยอัตโนมัติเมื่อไม่มีการกดสวิตช์สั่งงานภายในระยะเวลาหนึ่งหลังจากเปิดสวิตช์ไฟหลักแล้ว

การทำงานของสวิตช์

คำเตือน: ก่อนใส่ด้ามแบตเตอรี่ลงในเครื่อง ให้ตรวจสอบว่าสวิตช์สั่งงานสามารถทำงานได้อย่างถูกต้อง และกลับไปยังตำแหน่ง "ปิด" เมื่อปล่อยเสมอ

► **หมายเลข 21:** 1. สวิตช์สั่งงาน

การเริ่มใช้งานเครื่อง เพียงแค่กดสวิตช์สั่งงานเท่านั้น ความเร็วจะเพิ่มขึ้นได้ด้วยการเพิ่มแรงกดบนสวิตช์สั่งงาน ปล่อยสวิตช์สั่งงานเพื่อหยุดเครื่องมือ

ฟังก์ชันควบคุมความเร็วอัตโนมัติ

ฟังก์ชันควบคุมความเร็วอัตโนมัติช่วยให้ผู้ปฏิบัติงานรักษาความเร็วได้คงที่โดยไม่ต้องเหนื่อยเกินไป ในการเพิ่มความเร็วให้หมุนก้านควบคุมไปข้างหน้า ในการลดความเร็วให้หมุนก้านควบคุมไปข้างหลัง

► **หมายเลข 22:** 1. ก้านควบคุม

การเก็บประแจหกเหลี่ยม

เมื่อไม่ใช้งาน ให้เก็บประแจหกเหลี่ยมตามที่แสดงในภาพ เพื่อป้องกันการสูญหาย

► **หมายเลข 23:** 1. ประแจหกเหลี่ยม

ฟังก์ชันป้องกันการรีสตาร์ทโดยไม่ตั้งใจ

หากคุณเปิดเครื่องขณะที่กำลังดึงสวิตช์สั่งงานหรือขณะที่ก้านควบคุมไม่ได้อยู่ในตำแหน่งปิดเครื่องจะไม่เริ่มทำงาน การเริ่มใช้งานเครื่อง อันดับแรกให้ปล่อยสวิตช์สั่งงานและดึงก้านควบคุมกลับให้สุด แล้วค่อยเปิดเครื่อง

ระบบไฟฟ้า

เครื่องนี้มีฟังก์ชันอิเล็กทรอนิกส์สำหรับการใช้งานที่ง่ายตาย

- ระบบควบคุมความเร็วคงที่ ระบบควบคุมความเร็วช่วยให้ระบบควบคุมความเร็วคงที่ที่ไม่ว่าจะอยู่ในสภาวะการทำงานใดๆ

การใช้งาน

ข้อควรระวัง: อย่าวางเครื่องลงบนพื้นขณะที่เปิดเครื่องอยู่ ทrolley หรือฝุ่นอาจเข้ามาทางช่องดูดลมและทำให้เกิดความผิดปกติหรือได้รับบาดเจ็บได้

การใช้งานเครื่องเป่าลม

⚠️ ข้อควรระวัง: ขณะใช้งานเครื่องเป่าลม ตรวจสอบให้แน่ใจว่าได้ถอดท่อดูด หัวดูด ท่องอ และถุงดักฝุ่นออกจากเครื่องมือ และติดท่อเครื่องเป่าลมและหัวเป่าเข้ากับเครื่องมือ

จับเครื่องด้วยมือให้แน่นและทำการเป่าโดยเคลื่อนที่ไปรอบๆ อย่างช้าๆ เมื่อเป่าลมไปรอบๆ อาคาร หินขนาดใหญ่ หรือ ยานพาหนะ ให้หันหัวเป่าออกไปจากสิ่งนั้นๆ เมื่อทำการปฏิบัติงานพื้นที่มุม ให้เริ่มจากมุมแล้วค่อยย้ายไปยังพื้นที่ กว้าง

▶ หมายเลข 24

การใช้งานเครื่องดูดลม

⚠️ ข้อควรระวัง: ขณะใช้งานเครื่องดูดลม ตรวจสอบให้แน่ใจว่าได้ถอดท่อเครื่องเป่าลมและหัวเป่าออกจากเครื่องมือ และติดท่อดูด หัวดูด ท่องอ ถุงดักฝุ่น และสาย สะพายไหล่เข้ากับเครื่องมือ

⚠️ ข้อควรระวัง: ตรวจสอบความลึกหรือการเสื่อมสภาพของถุงดักฝุ่นเป็นประจำ

⚠️ ข้อควรระวัง: ตรวจสอบให้แน่ใจว่าได้รัดสายรัดของ ถุงดักฝุ่นก่อนใช้งานเครื่องมือ

⚠️ ข้อควรระวัง: ปิดสวิตช์เครื่องก่อนทำการเปิดหรือการ รัดสายรัดของถุงดักฝุ่นเสมอ

⚠️ ข้อควรระวัง: ก่อนใช้งานเครื่องมือ ปรับความยาว ของสายสะพายเพื่อให้ถุงดักฝุ่นไม่สัมผัสกับพื้น

ข้อสังเกต: อย่าให้วัสดุที่เปียก เช่น ใบไม้เปียก และวัตถุ แผลกปลอม เช่น เศษไม้ขนาดใหญ่ โลหะ แก้ว กรวด และอื่นๆ ถูกดูดเข้าไปในเครื่อง ไม่เช่นนั้น อาจเกิดการ ทำงานผิดปกติได้

ข้อสังเกต: นำฝุ่นออกจากถุงดักฝุ่นก่อนที่จะเติม ไม้ เช่นนั้น อาจเกิดการ ทำงานผิดปกติได้

ข้อสังเกต: การป้องกันการดูดวัตถุแผลกปลอม ควรใช้ งานเครื่องมือในโหมดดูด

1. คล้องสายสะพายไหล่ไว้บนไหล่ตามที่แสดงในภาพ ปรับความยาวของสายสะพาย

▶ หมายเลข 25: 1. สายสะพายไหล่ 2. มือจับเคลื่อนย้าย 3. มือจับรอง 4. ถุงดักฝุ่น

2. จับมือจับเคลื่อนย้ายไว้ด้วยมือข้างขวา และจับมือจับรองไว้ด้วยมืออีกข้างหนึ่ง

ตรวจสอบให้แน่ใจว่าหัวเข็มขัดอยู่ด้านหน้า

▶ หมายเลข 26: 1. หัวเข็มขัด

3. ขณะใช้งานเครื่องมือ ให้ปรับสวิตช์สั่งงานเพื่อให้แรงดูดเหมาะสมกับสถานที่และสภาวะในการทำงาน

การบำรุงรักษา

⚠️ ข้อควรระวัง: ตรวจสอบให้แน่ใจเสมอว่าปิดสวิตช์ เครื่องและถอดปลั๊กแบตเตอรี่ออกแล้วก่อนดำเนินการ ตรวจสอบหรือบำรุงรักษา

เพื่อความปลอดภัยและน้ำเชื้อถือของผลิตภัณฑ์ ควรให้ ศูนย์บริการหรือโรงงานที่ผ่านการรับรองจาก Makita เป็น ผู้ดำเนินการซ่อมแซม บำรุงรักษาและทำการปรับตั้งอื่นๆ นอกจากนี้ให้ใช้อะไหล่ของแท้จาก Makita เสมอ

การทำความสะอาดเครื่องมือ

ทำความสะอาดเครื่องโดยเช็ดฝุ่นออกด้วยผ้าแห้งหรือผ้าชุบน้ำสบู่บิดหมาด

ข้อสังเกต: อย่าใช้น้ำมันเชื้อเพลิง เบนซิน ทินเนอร์ แอลกอฮอล์ หรือวัสดุประเภทเดียวกัน เนื่องจากอาจ ทำให้ลื่น ขาดรูป หรือแตกร้าวได้

นำฝุ่นหรือและสิ่งสกปรกออกจากช่องดูดลม

▶ หมายเลข 27: 1. ช่องดูดลม

การแก้ไขปัญหา

ก่อนนำไปซ่อม ให้ทำการตรวจสอบด้วยตัวเองก่อน หากพบปัญหาที่ไม่มีอธิบายในคู่มือการใช้งาน อย่าพยายามถอดแยกเครื่อง โปรดสอบถามศูนย์บริการที่ได้รับการรับรองของ Makita และใช้อะไหล่ทดแทนของ Makita ในการซ่อมแซมเสมอ

สภาวะความผิดปกติ	สาเหตุที่เป็นไปได้ (การทำงานผิดปกติ)	การแก้ไข
มอเตอร์ไม่ทำงาน	ไม่ได้ติดตั้งตลับแบตเตอรี่	ติดตั้งตลับแบตเตอรี่
	ปัญหาแบตเตอรี่ (ไฟต่ำ)	ชาร์จแบตเตอรี่ใหม่ หากการชาร์จแบตเตอรี่ใหม่ไม่ได้ผล ให้เปลี่ยนแบตเตอรี่
	สำหรับเครื่องเป่าลม ไม่ได้ติดท่อเครื่องเป่าลม ไม่ได้ปิดฝาครอบพัดลม	ติดท่อเครื่องเป่าลม จากนั้นขันสลักเกลียว ปิดฝาครอบพัดลม จากนั้นขันสลักเกลียว
	สำหรับการดูดลม ไม่ได้ติดท่อหรือท่อดูด	ติดท่อหรือท่อดูด จากนั้นขันสลักเกลียว
มอเตอร์หยุดทำงานหลังจากใช้งานไปได้เล็กน้อย	ระดับการชาร์จของแบตเตอรี่ต่ำ	ชาร์จแบตเตอรี่ใหม่ หากการชาร์จแบตเตอรี่ใหม่ไม่ได้ผล ให้เปลี่ยนแบตเตอรี่
	ความร้อนสูงเกิน	หยุดใช้เครื่องเพื่อให้เครื่องเย็นลง
เครื่องไม่ทำงานถึงความเร็วสูงสุด	แบตเตอรี่ติดตั้งอย่างไม่ถูกต้อง	ติดตั้งตลับแบตเตอรี่ตามที่อธิบายในคู่มือการใช้งานนี้
	กำลังของแบตเตอรี่ต่ำลง	ชาร์จแบตเตอรี่ใหม่ หากการชาร์จแบตเตอรี่ใหม่ไม่ได้ผล ให้เปลี่ยนแบตเตอรี่
	ระบบขับเคลื่อนไม่ทำงานอย่างถูกต้อง	สอบถามศูนย์บริการที่ผ่านการรับรองจาก Makita ในท้องถิ่นให้ทำการซ่อมแซมให้
การสันดาปผิดปกติ ⇒ หยุดเครื่องมือทันที!	ระบบขับเคลื่อนไม่ทำงานอย่างถูกต้อง	สอบถามศูนย์บริการที่ผ่านการรับรองจาก Makita ในท้องถิ่นให้ทำการซ่อมแซมให้
มอเตอร์ไม่สามารถหยุด ⇒ ถอดแบตเตอรี่ทันที!	ชิ้นส่วนไฟฟ้าหรืออิเล็กทรอนิกส์ทำงานผิดปกติ	ถอดแบตเตอรี่และสอบถามศูนย์บริการที่ผ่านการรับรองจาก Makita ในท้องถิ่นให้ทำการซ่อมแซมให้

อุปกรณ์เสริม

⚠ ข้อควรระวัง: อุปกรณ์เสริมหรืออุปกรณ์ต่อพ่วงเหล่านี้ได้รับการแนะนำสำหรับใช้งานกับผลิตภัณฑ์ Makita ของคุณที่ระบุไว้ในคู่มือนี้ การใช้อุปกรณ์เสริมหรืออุปกรณ์ต่อพ่วงอื่นๆ อาจทำให้ได้รับบาดเจ็บได้ ใช้อุปกรณ์เสริมหรืออุปกรณ์ต่อพ่วงตามวัตถุประสงค์ที่ระบุไว้เท่านั้น

หากต้องการทราบรายละเอียดเพิ่มเติมเกี่ยวกับอุปกรณ์เสริมเหล่านี้ โปรดสอบถามศูนย์บริการ Makita ใกล้บ้านคุณ

- ชุดเครื่องดูดลม
- หัวเป่าเสริม

- หัวเป่าแบบแบน
- หัวฉีดรางน้ำ
- ท่ออะแดปเตอร์
- สายสะพายไหล่
- ถังดูดฝุ่นขนาดเล็ก
- แบตเตอรี่และเครื่องชาร์จ Makita ของแท้

หมายเหตุ: อุปกรณ์บางชิ้นในรายการอาจมีมาให้ในชุดผลิตภัณฑ์เป็นอุปกรณ์มาตรฐาน ซึ่งอาจแตกต่างกันไปในแต่ละประเทศ

Makita Corporation
3-11-8, Sumiyoshi-cho,
Anjo, Aichi 446-8502 Japan
www.makita.com

885762C376
EN, ZHCN, ID,
VI, TH
20210128