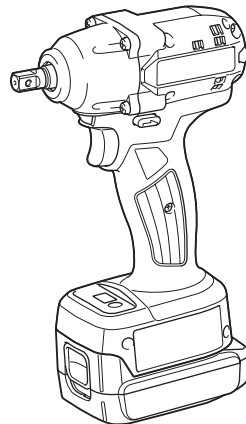




EN	Cordless Impact Wrench	INSTRUCTION MANUAL	5
ZHCN	充电式扳手	使用说明书	18
ID	Kunci Hentam Tanpa Kabel	PETUNJUK PENGGUNAAN	32
VI	Máy Siết Bu Lông Cầm Tay Hoạt Động Bằng Pin	TÀI LIỆU HƯỚNG DẪN	46
TH	ประแจกระแทกแบบไร้สาย	คู่มือการใช้งาน	59

DTWA070
DTWA100
DTWA140
DTWA190



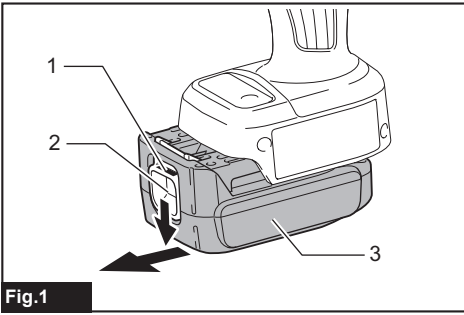


Fig.1

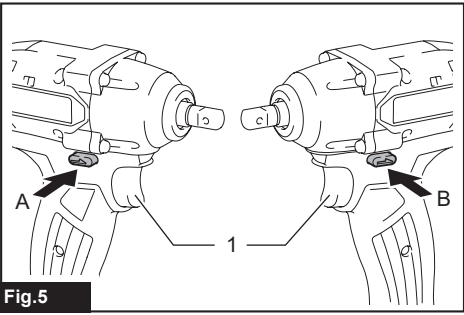


Fig.5

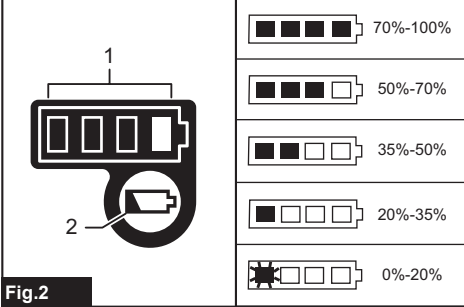


Fig.2

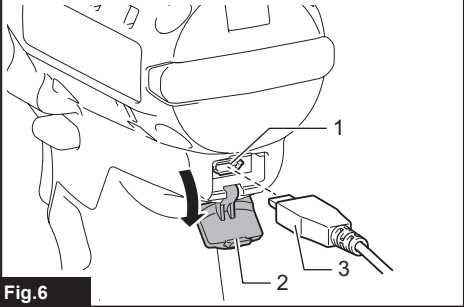


Fig.6

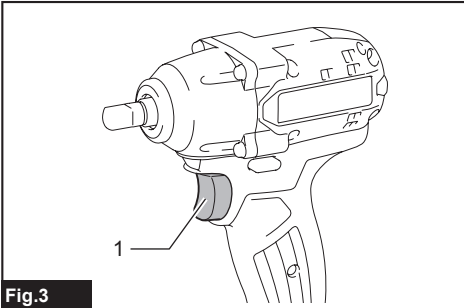


Fig.3

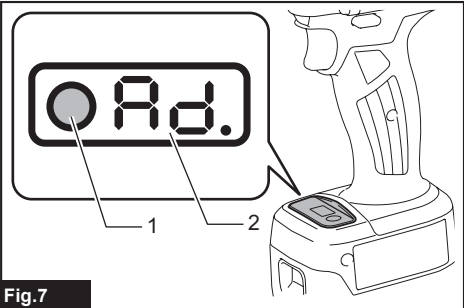


Fig.7

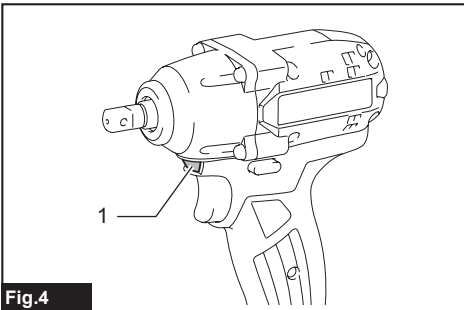


Fig.4

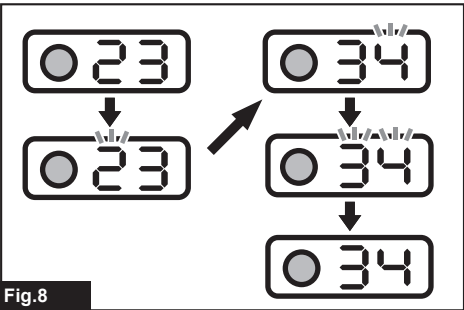


Fig.8

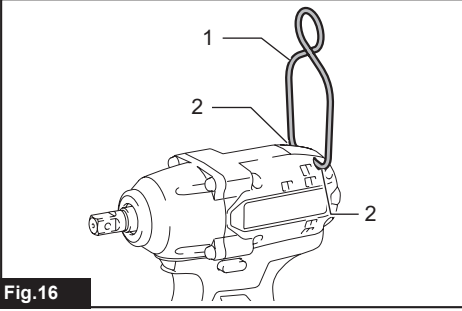
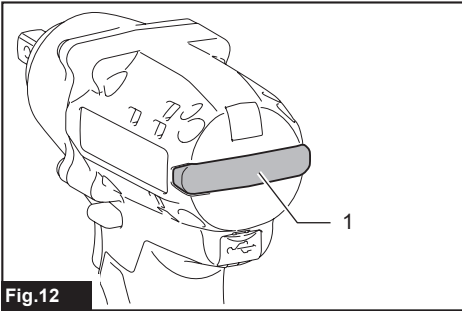
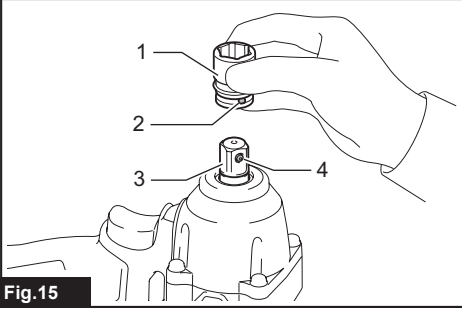
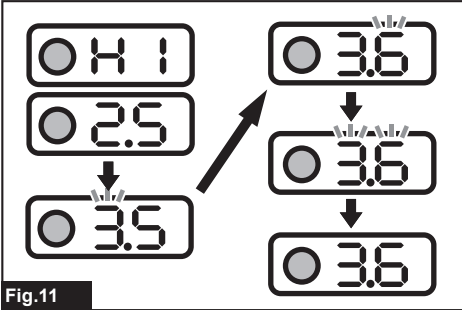
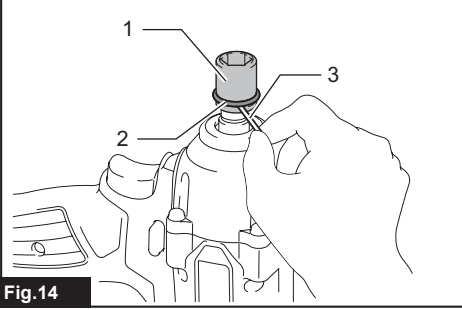
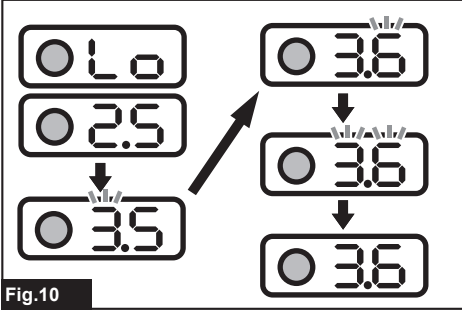
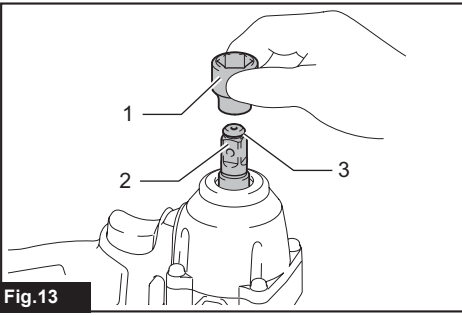
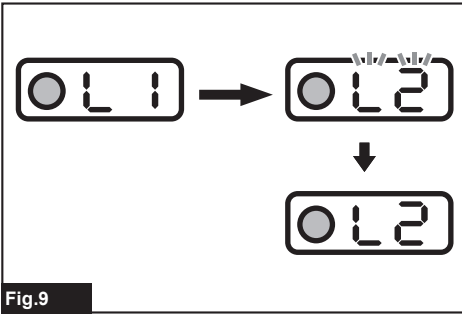
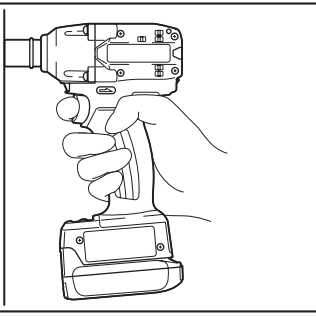


Fig.17



SPECIFICATIONS

Model:		DTWA070	DTWA100	DTWA140	DTWA190
Fastening capacities	Standard bolt	M5 - M12		M6 - M16	M8 - M16
	High tensile bolt	M5 - M10		M6 - M12	M8 - M14
Maximum fastening torque		65 N•m	95 N•m	140 N•m	185 N•m
Torque range		Approx. 5 - 40 N•m	Approx. 6 - 65 N•m	Approx. 18 - 80 N•m	Approx. 25 - 125 N•m
Square drive		9.5 mm		12.7 mm	
No load speed (RPM)		0 - 2,500 min ⁻¹		0 - 2,700 min ⁻¹	
Impacts per minute		0 - 3,700 min ⁻¹		0 - 3,300 min ⁻¹	
Overall length		144 mm	151 mm	158 mm	
Rated voltage		D.C. 14.4 V			
Net weight		1.1 - 1.4 kg	1.2 - 1.4 kg	1.2 - 1.5 kg	1.3 - 1.6 kg
Applicable USB cable		661432-2			

- Due to our continuing program of research and development, the specifications herein are subject to change without notice.
- Specifications may differ from country to country.
- The weight may differ depending on the attachment(s), including the battery cartridge. The lightest and heaviest combination, according to EPTA-Procedure 01/2014, are shown in the table.

Applicable battery cartridge and charger

Battery cartridge	BL1415N / BL1415NA / BL1430B / BL1440 / BL1460A / BL1460B
Charger	DC18RC / DC18RD / DC18RE / DC18SD / DC18SE / DC18SF / DC18SH

- Some of the battery cartridges and chargers listed above may not be available depending on your region of residence.

⚠ WARNING: Only use the battery cartridges and chargers listed above. Use of any other battery cartridges and chargers may cause injury and/or fire.

Symbols

The followings show the symbols which may be used for the equipment. Be sure that you understand their meaning before use.



Read instruction manual.



Ni-MH
Li-ion

Only for EU countries
Due to the presence of hazardous components in the equipment, waste electrical and electronic equipment, accumulators and batteries may have a negative impact on the environment and human health. Do not dispose of electrical and electronic appliances or batteries with household waste!

In accordance with the European Directive on waste electrical and electronic equipment and on accumulators and batteries and waste accumulators and batteries, as well as their adaptation to national law, waste electrical equipment, batteries and accumulators should be stored separately and delivered to a separate collection point for municipal waste, operating in accordance with the regulations on environmental protection.

This is indicated by the symbol of the crossed-out wheeled bin placed on the equipment.

Intended use

The tool is intended for fastening bolts and nuts.

SAFETY WARNINGS

General power tool safety warnings

⚠ WARNING: Read all safety warnings, instructions, illustrations and specifications provided with this power tool. Failure to follow all instructions listed below may result in electric shock, fire and/or serious injury.

Save all warnings and instructions for future reference.

The term "power tool" in the warnings refers to your mains-operated (corded) power tool or battery-operated (cordless) power tool.

Work area safety

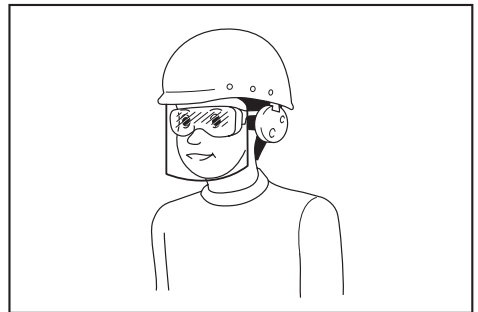
1. **Keep work area clean and well lit.** Cluttered or dark areas invite accidents.
2. **Do not operate power tools in explosive atmospheres, such as in the presence of flammable liquids, gases or dust.** Power tools create sparks which may ignite the dust or fumes.
3. **Keep children and bystanders away while operating a power tool.** Distractions can cause you to lose control.

Electrical safety

1. **Power tool plugs must match the outlet. Never modify the plug in any way. Do not use any adapter plugs with earthed (grounded) power tools.** Unmodified plugs and matching outlets will reduce risk of electric shock.
2. **Avoid body contact with earthed or grounded surfaces, such as pipes, radiators, ranges and refrigerators.** There is an increased risk of electric shock if your body is earthed or grounded.
3. **Do not expose power tools to rain or wet conditions.** Water entering a power tool will increase the risk of electric shock.
4. **Do not abuse the cord. Never use the cord for carrying, pulling or unplugging the power tool. Keep cord away from heat, oil, sharp edges or moving parts.** Damaged or entangled cords increase the risk of electric shock.
5. **When operating a power tool outdoors, use an extension cord suitable for outdoor use.** Use of a cord suitable for outdoor use reduces the risk of electric shock.
6. **If operating a power tool in a damp location is unavoidable, use a residual current device (RCD) protected supply.** Use of an RCD reduces the risk of electric shock.
7. **Power tools can produce electromagnetic fields (EMF) that are not harmful to the user.** However, users of pacemakers and other similar medical devices should contact the maker of their device and/or doctor for advice before operating this power tool.

Personal safety

1. **Stay alert, watch what you are doing and use common sense when operating a power tool. Do not use a power tool while you are tired or under the influence of drugs, alcohol or medication.** A moment of inattention while operating power tools may result in serious personal injury.
2. **Use personal protective equipment. Always wear eye protection.** Protective equipment such as a dust mask, non-skid safety shoes, hard hat or hearing protection used for appropriate conditions will reduce personal injuries.
3. **Prevent unintentional starting. Ensure the switch is in the off-position before connecting to power source and/or battery pack, picking up or carrying the tool.** Carrying power tools with your finger on the switch or energising power tools that have the switch on invites accidents.
4. **Remove any adjusting key or wrench before turning the power tool on.** A wrench or a key left attached to a rotating part of the power tool may result in personal injury.
5. **Do not overreach. Keep proper footing and balance at all times.** This enables better control of the power tool in unexpected situations.
6. **Dress properly. Do not wear loose clothing or jewellery. Keep your hair and clothing away from moving parts.** Loose clothes, jewellery or long hair can be caught in moving parts.
7. **If devices are provided for the connection of dust extraction and collection facilities, ensure these are connected and properly used.** Use of dust collection can reduce dust-related hazards.
8. **Do not let familiarity gained from frequent use of tools allow you to become complacent and ignore tool safety principles.** A careless action can cause severe injury within a fraction of a second.
9. **Always wear protective goggles to protect your eyes from injury when using power tools. The goggles must comply with ANSI Z87.1 in the USA, EN 166 in Europe, or AS/NZS 1336 in Australia/New Zealand. In Australia/New Zealand, it is legally required to wear a face shield to protect your face, too.**



It is an employer's responsibility to enforce the use of appropriate safety protective equipments by the tool operators and by other persons in the immediate working area.

Power tool use and care

1. **Do not force the power tool. Use the correct power tool for your application.** The correct power tool will do the job better and safer at the rate for which it was designed.
2. **Do not use the power tool if the switch does not turn it on and off.** Any power tool that cannot be controlled with the switch is dangerous and must be repaired.
3. **Disconnect the plug from the power source and/or remove the battery pack, if detachable, from the power tool before making any adjustments, changing accessories, or storing power tools.** Such preventive safety measures reduce the risk of starting the power tool accidentally.
4. **Store idle power tools out of the reach of children and do not allow persons unfamiliar with the power tool or these instructions to operate the power tool.** Power tools are dangerous in the hands of untrained users.
5. **Maintain power tools and accessories. Check for misalignment or binding of moving parts, breakage of parts and any other condition that may affect the power tool's operation. If damaged, have the power tool repaired before use.** Many accidents are caused by poorly maintained power tools.
6. **Keep cutting tools sharp and clean.** Properly maintained cutting tools with sharp cutting edges are less likely to bind and are easier to control.
7. **Use the power tool, accessories and tool bits etc. in accordance with these instructions, taking into account the working conditions and the work to be performed.** Use of the power tool for operations different from those intended could result in a hazardous situation.
8. **Keep handles and grasping surfaces dry, clean and free from oil and grease.** Slippery handles and grasping surfaces do not allow for safe handling and control of the tool in unexpected situations.
9. **When using the tool, do not wear cloth work gloves which may be entangled.** The entanglement of cloth work gloves in the moving parts may result in personal injury.

Battery tool use and care

1. **Recharge only with the charger specified by the manufacturer.** A charger that is suitable for one type of battery pack may create a risk of fire when used with another battery pack.
2. **Use power tools only with specifically designated battery packs.** Use of any other battery packs may create a risk of injury and fire.
3. **When battery pack is not in use, keep it away from other metal objects, like paper clips, coins, keys, nails, screws or other small metal objects, that can make a connection from one terminal to another.** Shorting the battery terminals together may cause burns or a fire.
4. **Under abusive conditions, liquid may be ejected from the battery; avoid contact. If contact accidentally occurs, flush with water. If liquid contacts eyes, additionally seek medical help.** Liquid ejected from the battery may cause irritation or burns.

5. **Do not use a battery pack or tool that is damaged or modified.** Damaged or modified batteries may exhibit unpredictable behaviour resulting in fire, explosion or risk of injury.
6. **Do not expose a battery pack or tool to fire or excessive temperature.** Exposure to fire or temperature above 130 °C may cause explosion.
7. **Follow all charging instructions and do not charge the battery pack or tool outside the temperature range specified in the instructions.** Charging improperly or at temperatures outside the specified range may damage the battery and increase the risk of fire.

Service

1. **Have your power tool serviced by a qualified repair person using only identical replacement parts.** This will ensure that the safety of the power tool is maintained.
2. **Never service damaged battery packs.** Service of battery packs should only be performed by the manufacturer or authorized service providers.
3. **Follow instruction for lubricating and changing accessories.**

Cordless impact wrench safety warnings

1. **Hold the power tool by insulated gripping surfaces, when performing an operation where the fastener may contact hidden wiring.** Fasteners contacting a "live" wire may make exposed metal parts of the power tool "live" and could give the operator an electric shock.
2. **Wear ear protectors.**
3. **Check the impact socket carefully for wear, cracks or damage before installation.**
4. **Hold the tool firmly.**
5. **Keep hands away from rotating parts.**
6. **Do not touch the impact socket, bolt, nut or the workpiece immediately after operation.** They may be extremely hot and could burn your skin.
7. **Always be sure you have a firm footing. Be sure no one is below when using the tool in high locations.**
8. **The proper fastening torque may differ depending upon the kind or size of the bolt. Check the torque with a torque wrench.**
9. **Make sure there are no electrical cables, water pipes, gas pipes etc. that could cause a hazard if damaged by use of the tool.**

SAVE THESE INSTRUCTIONS.

⚠WARNING: DO NOT let comfort or familiarity with product (gained from repeated use) replace strict adherence to safety rules for the subject product.

MISUSE or failure to follow the safety rules stated in this instruction manual may cause serious personal injury.

Important safety instructions for battery cartridge

1. Before using battery cartridge, read all instructions and cautionary markings on (1) battery charger, (2) battery, and (3) product using battery.
2. Do not disassemble or tamper with the battery cartridge. It may result in a fire, excessive heat, or explosion.
3. If operating time has become excessively shorter, stop operating immediately. It may result in a risk of overheating, possible burns and even an explosion.
4. If electrolyte gets into your eyes, rinse them out with clear water and seek medical attention right away. It may result in loss of your eyesight.
5. Do not short the battery cartridge:
 - (1) Do not touch the terminals with any conductive material.
 - (2) Avoid storing battery cartridge in a container with other metal objects such as nails, coins, etc.
 - (3) Do not expose battery cartridge to water or rain.

A battery short can cause a large current flow, overheating, possible burns and even a breakdown.

6. Do not store and use the tool and battery cartridge in locations where the temperature may reach or exceed 50 °C (122 °F).
7. Do not incinerate the battery cartridge even if it is severely damaged or is completely worn out. The battery cartridge can explode in a fire.
8. Do not nail, cut, crush, throw, drop the battery cartridge, or hit against a hard object to the battery cartridge. Such conduct may result in a fire, excessive heat, or explosion.
9. Do not use a damaged battery.
10. The contained lithium-ion batteries are subject to the Dangerous Goods Legislation requirements.

For commercial transports e.g. by third parties, forwarding agents, special requirement on packaging and labeling must be observed.
For preparation of the item being shipped, consulting an expert for hazardous material is required.
Please also observe possibly more detailed national regulations.
Tape or mask off open contacts and pack up the battery in such a manner that it cannot move around in the packaging.
11. When disposing the battery cartridge, remove it from the tool and dispose of it in a safe place. Follow your local regulations relating to disposal of battery.
12. Use the batteries only with the products specified by Makita. Installing the batteries to non-compliant products may result in a fire, excessive heat, explosion, or leak of electrolyte.
13. If the tool is not used for a long period of time, the battery must be removed from the tool.

14. During and after use, the battery cartridge may take on heat which can cause burns or low temperature burns. Pay attention to the handling of hot battery cartridges.
15. Do not touch the terminal of the tool immediately after use as it may get hot enough to cause burns.
16. Do not allow chips, dust, or soil stuck into the terminals, holes, and grooves of the battery cartridge. It may result in poor performance or breakdown of the tool or battery cartridge.
17. Unless the tool supports the use near high-voltage electrical power lines, do not use the battery cartridge near high-voltage electrical power lines. It may result in a malfunction or breakdown of the tool or battery cartridge.
18. Keep the battery away from children.

SAVE THESE INSTRUCTIONS.

CAUTION: Only use genuine Makita batteries. Use of non-genuine Makita batteries, or batteries that have been altered, may result in the battery bursting causing fires, personal injury and damage. It will also void the Makita warranty for the Makita tool and charger.

Tips for maintaining maximum battery life

1. Charge the battery cartridge before completely discharged. Always stop tool operation and charge the battery cartridge when you notice less tool power.
2. Never recharge a fully charged battery cartridge. Overcharging shortens the battery service life.
3. Charge the battery cartridge with room temperature at 10 °C - 40 °C (50 °F - 104 °F). Let a hot battery cartridge cool down before charging it.
4. When not using the battery cartridge, remove it from the tool or the charger.
5. Charge the battery cartridge if you do not use it for a long period (more than six months).

FUNCTIONAL DESCRIPTION

CAUTION: Always be sure that the tool is switched off and the battery cartridge is removed before adjusting or checking function on the tool.

Installing or removing battery cartridge

CAUTION: Always switch off the tool before installing or removing of the battery cartridge.

CAUTION: Hold the tool and the battery cartridge firmly when installing or removing battery cartridge. Failure to hold the tool and the battery cartridge firmly may cause them to slip off your hands and result in damage to the tool and battery cartridge and a personal injury.

► **Fig.1:** 1. Red indicator 2. Button 3. Battery cartridge

To remove the battery cartridge, slide it from the tool while sliding the button on the front of the cartridge.

To install the battery cartridge, align the tongue on the battery cartridge with the groove in the housing and slip it into place. Insert it all the way until it locks in place with a little click. If you can see the red indicator as shown in the figure, it is not locked completely.

CAUTION: Always install the battery cartridge fully until the red indicator cannot be seen. If not, it may accidentally fall out of the tool, causing injury to you or someone around you.

CAUTION: Do not install the battery cartridge forcibly. If the cartridge does not slide in easily, it is not being inserted correctly.

Tool / battery protection system

The tool is equipped with a tool/battery protection system. This system automatically cuts off power to the motor to extend tool and battery life. The tool will automatically stop during operation if the tool or battery is placed under one of the following conditions:

Overload protection

When the battery is operated in a manner that causes it to draw an abnormally high current, the tool automatically stops without any indication. In this situation, turn the tool off and stop the application that caused the tool to become overloaded. Then turn the tool on to restart.

Overheat protection

When the tool/battery is overheated, the tool stops automatically. In this situation, let the tool/battery cool before turning the tool on again.

Overdischarge protection

When the battery capacity is not enough, the tool stops automatically. In this case, remove the battery from the tool and charge the battery.

Checking the remaining battery capacity (BL1460A)

► **Fig.2:** 1. Indicator lamps 2. Check button

NOTE: Depending on the conditions of use and the ambient temperature, the indication may differ slightly from the actual capacity.

When charging

When the charging begins, the first (far left) indicating lamp begins to blink. Then, as charging proceeds, the other lamps light, one after the other, to indicate the battery capacity.

NOTE: If the indicator lamp does not turn on or blink when charging, the battery may be faulty. In this case, ask your local service center.

When using

When the tool is switched on, the lamps will light to indicate the remaining battery capacity. When the tool is switched off, the light goes out after approx. 5 seconds. When pushing the check button with the tool switched off, the indicator lamps turn on for approx. 5 seconds to show battery capacity.

If the orange lamp blinks, the tool stops because of little remaining battery capacity (Auto-stop mechanism). Charge the battery cartridge or use a charged battery cartridge at this time.

When the tool is used with the battery that has not been used for a long time and is switched on, no lamps may light up. The tool stops because of little remaining battery capacity at this time. Charge the battery properly.

Switch action

► **Fig.3:** 1. Switch trigger

CAUTION: Before installing the battery cartridge into the tool, always check to see that the switch trigger actuates properly and returns to the "OFF" position when released.

To start the tool, simply pull the switch trigger. Tool speed is increased by increasing pressure on the switch trigger. Release the switch trigger to stop.

NOTE: The tool automatically stops if you keep pulling the switch trigger for about 3 minutes.

Lighting up the front lamp

► **Fig.4:** 1. Lamp

CAUTION: Do not look in the light or see the source of light directly.

Pull the switch trigger to light up the lamp. The lamp keeps on lighting while the switch trigger is being pulled. The lamp goes out approximately 10 seconds after releasing the switch trigger.

NOTE: Use a dry cloth to wipe the dirt off the lens of the lamp. Be careful not to scratch the lens of lamp, or it may lower the illumination.

Reversing switch action

► Fig.5: 1. Reversing switch lever

CAUTION: Always check the direction of rotation before operation.

CAUTION: Use the reversing switch only after the tool comes to a complete stop. Changing the direction of rotation before the tool stops may damage the tool.

CAUTION: When not operating the tool, always set the reversing switch lever to the neutral position.

This tool has a reversing switch to change the direction of rotation. Depress the reversing switch lever from the A side for clockwise rotation or from the B side for counterclockwise rotation.

When the reversing switch lever is in the neutral position, the switch trigger cannot be pulled.

Changing the parameter setting on the computer

You can configure detailed setting of the tool with the application software "Makita Industry Tool Settings". Install the application software on the computer and connect the tool to the computer with a USB cable. Refer to the instruction manual of "Makita Industry Tool Settings" for details on configuration.

► Fig.6: 1. USB port 2. USB cover 3. USB cable

NOTICE: Make sure that the USB cover closed when fastening.

NOTE: When the reversing switch lever is depressed in the clockwise rotation, the indicator shows the setting of clockwise rotation.

When the reversing switch lever is depressed in the counterclockwise rotation, the indicator shows the setting of counterclockwise rotation.

NOTE: Use preset number as a guideline. To keep the fastening torque, number of impacts changes automatically according to remaining battery capacity.

NOTE: Use the makita genuine USB cable to connect your computer to the tool. Refer to the section "SPECIFICATIONS".

NOTE: For the application software, please contact Makita sales representative.

Changing the parameter setting on the tool (Field Setting mode)

NOTICE: This function is available by default. If you have disabled the Field Setting mode on the computer, enable this function beforehand. Refer to the instruction manual of "Makita Industry Tool Settings" for how to configure.

NOTICE: If the Field Setting mode is disabled, making settings on the tool is not available. When you press the setting button, the values set on the tool are displayed in order.

The current setting number is displayed on the indicator.

Every time you press the setting button, the indicator shows torque level, rundown level, workable time range, and "Ad".

► Fig.7: 1. Setting button 2. Indicator

You can change the following parameter settings on your tool:

- Auto-stop setting / Free mode

Setting item	Display on the indicator	Description
Torque level	01 - 40 FF OP	The torque level at which the Tightening Auto Stop mode works
Rundown level	L1 - L7 OP	The sensitivity of the fastener seating
Workable time range	Lo: 0.1 - 9.9 Hi: 0.1 - 9.9 --	The shortest/longest duration of the rotation when you continue to pull the switch trigger.

NOTICE: If "OP" (Loosening Auto Stop mode) is displayed on the indicator, torque level setting and rundown level setting is not available. In this case, change the mode to Tightening Auto Stop mode, and then set the torque level and rundown level on the computer using "Makita Industry Tool Settings".

Changing the torque level

When changing the torque level from 23 to 34

► Fig.8

1. Press the setting button several times until the indicator shows 2-digit number which stands for the current setting of the torque level.
2. Press and hold the setting button until the number in the tens place starts blinking.
3. Set the number in the tens place by pressing the setting button briefly. Every time you press the setting button, the indicator shows the number from "0" to "4" and "F" in a cycle.
4. Press and hold the setting button until the number in the ones place starts blinking.
5. Set the number in the ones place by pressing the setting button briefly. Every time you press the setting button, the indicator shows the number from "0" to "9" and "F" in a cycle.
6. Press and hold the setting button for a few seconds.

NOTE: If you are not sure which torque level is suitable for your work, set "FF" so that the tool operates in the Free mode.

NOTE: If you input "00", "FF" is displayed instead of "00".

Changing the rundown level

When changing the rundown level from L1 to L2

► Fig.9

1. Press the setting button several times until the indicator shows 2 characters beginning with "L" followed by a number. This stands for the current setting of the rundown level.
2. Press and hold the setting button until the indicator starts blinking.
3. Set the rundown level. Every time you press the setting button, the indicator shows from "L1" to "L7" in a cycle. The lowest rundown level is "L1" and "L7" is the highest.
4. Press and hold the setting button for a few seconds.

Changing the shortest workable time range

When changing the shortest workable time range from 2.5 to 3.6

► Fig.10

1. Press the setting button several times until the indicator shows "Lo" and number alternatively. This stands for the current setting of the shortest workable time range.
2. Press and hold the setting button until the number in the ones place starts blinking.
3. Set the number in the ones place by pressing the setting button briefly. Every time you press the setting button, the indicator shows the number from "0" to "9" in a cycle.
4. Press and hold the setting button until the number in the decimal place starts blinking.

5. Set the number in the decimal place by pressing the setting button briefly. Every time you press the setting button, the indicator shows the number from "0" to "9" in a cycle.
6. Press and hold the setting button for a few seconds.

NOTE: When you set the value smaller than "0.1" for the shortest workable time range, the indicator shows "-.-" and the shortest workable time range becomes disabled. To input "-.-", set the value to "0.9", and then press the setting button when the number in the ones place is blinking.

Changing the longest workable time range

When changing the longest workable time range from 2.5 to 3.6

► Fig.11

1. Press the setting button several times until the indicator shows "HI" and number alternatively. This stands for the current setting of the longest workable time range.
2. Press and hold the setting button until the number in the ones place starts blinking.
3. Set the number in the ones place by pressing the setting button briefly. Every time you press the setting button, the indicator shows the number from "0" to "9" in a cycle.
4. Press and hold the setting button until the number in the decimal place starts blinking.
5. Set the number in the decimal place by pressing the setting button briefly. Every time you press the setting button, the indicator shows the number from "0" to "9" in a cycle.
6. Press and hold the setting button for a few seconds.

NOTE: When you set the value larger than "9.9" for the longest workable time range, the indicator shows "-.-" and the longest workable time range becomes disabled. To input "-.-", set the value to "9.9", and then press the setting button when the number in the ones place is blinking.

Measuring an actual operation (Self-diagnosis)

NOTICE: This function is available by default. If you have disabled the Field Setting mode on the computer, enable this function beforehand. Refer to the instruction manual of "Makita Industry Tool Settings" for how to configure.

You can measure the torque level and operating time of an actual operation by operating the tool. Measured torque level and time can be used for such as;

- Reproducing a torque control technic of a well-skilled worker and;
- A time reference for the setting of the shortest/longest workable time range.

Measuring the torque level and operating time

1. Press the setting button several times until "Ad." is displayed on the indicator.
2. Press and hold the setting button until the indicator shows "Ch".
3. Perform the operation that you want to measure the operating time.
 - If you have configured the torque level, operate the tool until it stops in the Tightening Auto Stop mode.
 - If you have not configured the torque level (Free mode), operate the tool as necessary.
4. Check the measured result. Press the setting button once to display the actual torque level, and press it one more time to display the actual operating time.
Every time you press the setting button, the indicator shows "Ch", the number of actual torque level, and the number of actual operating time in a cycle.
5. Press and hold the setting button to exit the Self-diagnosis.

NOTE: The Tightening Auto Stop mode works even in the Self-diagnosis. If you want to measure the torque level without limitation, set the torque level "FF" (Free mode) and perform the procedures above.

NOTE: If "-." is displayed on the indicator, the impact did not work or the torque level is higher than 40. If "-.-" is displayed in the indicator, the operating time exceeded 9.9 seconds.

- In case the impact did not work: Remeasure the torque level with longer workable time.
- In case the torque level is higher than 40: The tool cannot measure the torque level. Use the tool with higher torque range if available.
- In case the operating time exceeded 9.9 seconds, the workable time range is not available.

Measuring example:

If you configure the following setting, you can read the tool status.

Case 1

Setting item	Tool setting	Measured result	Diagnosis
Torque level	23	20	The tool has stopped by the setting of the longest workable time range (3.5 sec.) before it reaches the setting of the Tightening Auto Stop mode (torque level 23).
Workable time range	shortest: 2.5 sec. longest: 3.5 sec.	3.5	

Case 2

Setting item	Tool setting	Measured result	Diagnosis
Torque level	23	23	The tool has stopped by the Tightening Auto Stop mode (torque level 23) before it reaches the setting of longest workable time range (3.5 sec.).
Workable time range	shortest: 2.5 sec. longest: 3.5 sec.	3	

LED indicator / beeper

► Fig.12: 1. LED indicator

LED indicator / beeper on the tool shows the following functions.

Alarm No.	Function	Status of the tool	Status of the LED indicator/beeper		Action to be taken
			LED indicator	Beeper	
E0	Battery installation error	If the battery cartridge is installed with the switch trigger pulled, the tool stops to avoid unintentional start.	Blinks in red and green alternatively.	A series of long beeps	Install the battery cartridge with the switch trigger released.
E1	Auto-stop	The battery power became low and it is time to replace the battery cartridge.	Blinks in red and green alternatively.	A series of long beeps	Replace the battery with fully charged one.
E2	Anti-reset of controller	The battery voltage dropped abnormally for some reason, and the tool stopped.	Blinks in red and green alternatively.	A series of long beeps	Replace the battery with fully charged one.
E3	Auto-stop with low remaining battery capacity	The battery power is almost used up and the tool stopped.	Lights up in red.	A long beep	Replace the battery with fully charged one.
E4	Overload protection	The tool was overloaded and stopped.	Blinks in red and green alternatively.	A series of long beeps	Remove the cause of overload, and then restart the tool. Ask your local Makita Service Center for repair.
E5	Overheat protection	Tool's controller heated up abnormally and the tool stopped.	Blinks in red quickly.	A series of long beeps	Remove the battery cartridge immediately and cool the tool down.
E6	Motor lock	The motor has been locked. At this time, the tool does not work.	Blinks in red and green alternatively.	A series of long beeps	Release the switch trigger and pull it again.
E7	Motor failure	The tool detected a motor failure. At this time, tool does not work.	Blinks in red and green alternatively.	A series of long beeps	Ask your local Makita Service Center for repair.
E8	Switch failure	The tool detected a switch failure.	Blinks in red and green alternatively.	A series of long beeps	Ask your local Makita Service Center for repair.
E9	Alarm for a long period of use	The tool has been turned on for a long time (Approx. 3 minutes).	Blinks in red and green alternatively.	A long beep	Release the switch trigger and pull it again.
-	Auto-stop with fastening completion	The preset fastening torque has been achieved and the tool has stopped.	Lights up in green for approximately one second.	–	–
-	Alarm for insufficient fastening	The preset fastening torque has not been achieved because the switch trigger was released before completing the fastening.	Lights up in red for approximately one second.	A long beep	Retighten the fastener.
-	Alarm for limit of the fastening capacity	–	Blinks in red quickly.	A series of long beeps	Replace the battery with fully charged one.
-	Maintenance alarm	The number of drive has been reached to your preset number for the maintenance.	Blinks in yellow.	–	Reset the alarm with the application software.

Alarm No.	Function	Status of the tool	Status of the LED indicator/beeper		Action to be taken
			LED indicator	Beeper	
-	Alarm for no communication with the PC	No data communication while the tool is connected to the PC.	Blinks in yellow.	–	Restart the application software and re-connect the USB cable.
-	Indication that the tool can communicate with the PC	The tool is connected to the PC and able to communicate with.	Blinks in green.	–	–
-	Check for the lamp and beeper (when the battery cartridge is installed)	The tool performs the operation test for the LED indicator (green/red), light, and beeper.	The LED indicator lights up in green and then red. After that, the light turns on for a while.	A series of very short beeps	–

ASSEMBLY

⚠ CAUTION: Always be sure that the tool is switched off and the battery cartridge is removed before carrying out any work on the tool.

Selecting correct impact socket

Always use the correct size impact socket for bolts and nuts. An incorrect size impact socket will result in inaccurate and inconsistent fastening torque and/or damage to the bolt or nut.

Installing or removing impact socket

Optional accessory

⚠ CAUTION: Make sure that the impact socket and the mounting portion are not damaged before installing the impact socket.

⚠ CAUTION: After inserting the impact socket, make sure that it is firmly secured. If it comes out, do not use it.

NOTE: The way of impact socket installation varies depending on the type of the square drive on the tool.

Tool with the ring spring

For impact socket without O-ring and pin

► **Fig.13:** 1. Impact socket 2. Square drive 3. Ring spring

Push the impact socket onto the square drive until it locks into place.

To remove the impact socket, simply pull it off.

For impact socket with O-ring and pin

► **Fig.14:** 1. Impact socket 2. O-ring 3. Pin

Move the O-ring out of the groove in the impact socket and remove the pin from the impact socket. Fit the impact socket onto the square drive so that the hole in the impact socket is aligned with the hole in the square drive.

Insert the pin through the hole in the impact socket and square drive. Then return the O-ring to the original position in the impact socket groove to retain the pin.

To remove the impact socket, follow the installation procedures in reverse.

Tool with the detent pin

► **Fig.15:** 1. Impact socket 2. Hole 3. Square drive 4. Detent pin

Align the hole in the side of the impact socket with the detent pin on the square drive and push the impact socket onto the square drive until it locks into place. Tap it lightly if required.

To remove the impact socket, simply pull it off. If it is hard to remove, depress the detent pin while pulling the impact socket.

Installing hook

Optional accessory

The hook is useful to hang the tool. Install the hook to the holes on the tool body.

► **Fig.16:** 1. Hook 2. Hole

OPERATION

⚠ CAUTION: Always insert the battery cartridge all the way until it locks in place. If you can see the red indicator on the upper side of the button, it is not locked completely. Insert it fully until the red indicator cannot be seen. If not, it may accidentally fall out of the tool, causing injury to you or someone around you.

⚠ CAUTION: Hold the tool firmly and place the impact socket over the bolt or nut. Turn the tool on and fasten for the proper fastening time.

⚠ CAUTION: If the tool is operated continuously until the battery cartridge has discharged, allow the tool to rest for 15 minutes before proceeding with a fresh battery cartridge.

⚠ CAUTION: Pressing excessively on the tool will not speed up the drilling. In fact, this excessive pressure will only serve to damage the tip of your drill bit, decrease the tool performance and shorten the service life of the tool.

⚠ CAUTION: Always secure workpieces in a vise or similar hold-down device.

► Fig.17

The proper fastening torque may differ depending upon the kind or size of the bolt, the material of the workpiece to be fastened, etc.

NOTICE: When fastening small bolts, carefully adjust pressure on the switch trigger so that the bolt is not damaged.

NOTICE: Hold the tool pointed straight at the bolt or nut.

NOTICE: Excessive fastening torque may damage the bolt/nut or impact socket. Before starting your job, always perform a test operation to determine the proper fastening time for your bolt or nut.

The fastening torque is affected by a wide variety of factors including the following. After fastening, always check the torque with a torque wrench.

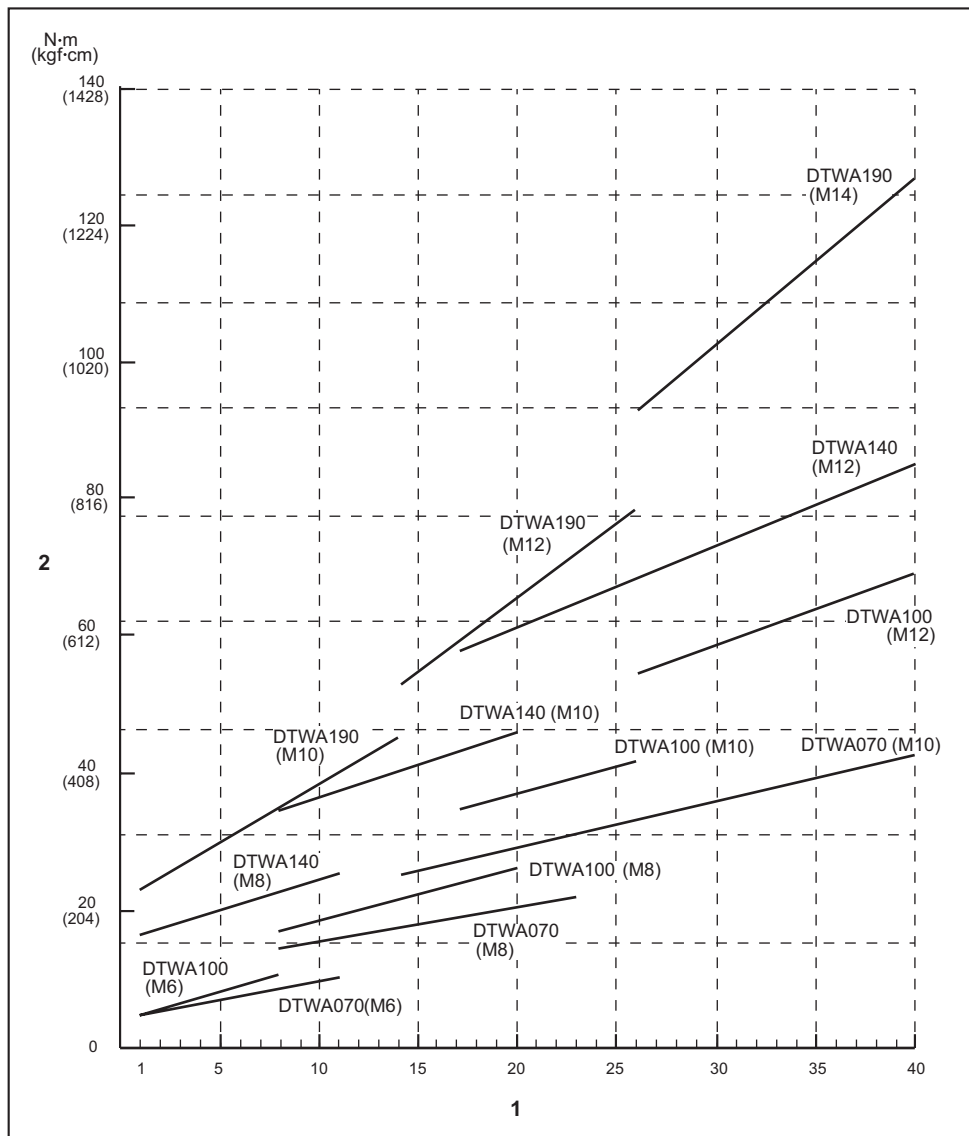
1. When the battery cartridge is discharged almost completely, voltage will drop and the fastening torque will be reduced.
2. Impact socket
 - Failure to use the correct size impact socket will cause a reduction in the fastening torque.
 - A worn impact socket (wear on the hex end or square end) will cause a reduction in the fastening torque.
3. Bolt
 - Even though the torque coefficient and the class of bolt are the same, the proper fastening torque will differ according to the diameter of bolt.
 - Even though the diameters of bolts are the same, the proper fastening torque will differ according to the torque coefficient, the class of bolt and the bolt length.

4. The use of the universal joint or the extension bar somewhat reduces the fastening force of the impact wrench. Compensate by fastening for a longer period of time.
5. The manner of holding the tool or the material of driving position to be fastened will affect the torque.
6. Operating the tool at low speed will cause a reduction in the fastening torque.

Fastening torque and torque level

NOTE: This reference value is measured by the measurement conditions specified by Makita.

NOTE: The actual value may differ according to circumstances of the fasteners, materials, and fastening method. Perform a test drive before actual work.



1. Torque level 2. Fastening torque

MAINTENANCE

⚠ CAUTION: Always be sure that the tool is switched off and the battery cartridge is removed before attempting to perform inspection or maintenance.

NOTICE: Never use gasoline, benzine, thinner, alcohol or the like. Discoloration, deformation or cracks may result.

To maintain product SAFETY and RELIABILITY, repairs, any other maintenance or adjustment should be performed by Makita Authorized or Factory Service Centers, always using Makita replacement parts.

OPTIONAL ACCESSORIES

⚠ CAUTION: These accessories or attachments are recommended for use with your Makita tool specified in this manual. The use of any other accessories or attachments might present a risk of injury to persons. Only use accessory or attachment for its stated purpose.

If you need any assistance for more details regarding these accessories, ask your local Makita Service Center.

- Hook
- Protector (Blue, Red, Yellow, Green, Clear)
- Battery Protector for BL1460A
- Battery Protector for BL1415NA
- Makita genuine battery and charger
- USB cable

NOTE: Some items in the list may be included in the tool package as standard accessories. They may differ from country to country.

规格

型号:	DTWA070	DTWA100	DTWA140	DTWA190
紧固能力	普通螺栓	M5 - M12	M6 - M16	M8 - M16
	强力螺栓	M5 - M10	M6 - M12	M8 - M14
最大紧固转矩	65 N•m	95 N•m	140 N•m	185 N•m
转矩范围	约5 - 40 N•m	约6 - 65 N•m	约18 - 80 N•m	约25 - 125 N•m
方形传动螺杆	9.5 mm		12.7 mm	
空载速度 (RPM)	0 - 2,500 r/min	0 - 2,700 r/min		0 - 2,600 r/min
每分钟冲击数	0 - 3,700 /min	0 - 3,300 /min		0 - 3,000 /min
总长度	144 mm	151 mm	158 mm	
额定电压	D.C. 14.4 V			
净重	1.1 - 1.4 kg	1.2 - 1.4 kg	1.2 - 1.5 kg	1.3 - 1.6 kg
适用USB电缆	661432-2			

- 生产者保留变更规格不另行通知之权利。
- 规格可能因销往国家之不同而异。
- 重量因附件（包括电池组）而异。根据EPTA-Procedure 01/2014，最重与最轻的组合见表格。

适用电池组和充电器

电池组	BL1415N / BL1415NA / BL1430B / BL1440 / BL1460A / BL1460B
充电器	DC18RC / DC18RD / DC18RE / DC18SD / DC18SE / DC18SF / DC18SH

- 部分以上所列电池组和充电器是否适用视用户所在地区而异。

⚠警告： 请仅使用以上所列电池组和充电器。使用其他类型的电池组或充电器可能会导致人身伤害和 / 或失火。

符号

以下显示本设备可能会使用的符号。在使用工具之前，请务必理解其含义。



阅读使用说明书。



仅限于欧盟国家

由于本设备中包含有害成分，因此废弃的电气和电子设备、蓄电池和普通电池可能会对环境和人体健康产生负面影响。请勿将电气和电子工具或电池与家庭普通废弃物放在一起处置！

根据欧洲关于废弃电气电子设备、蓄电池和普通电池的指令及其国家层面的修订法案，废弃的电气设备、普通电池和蓄电池应当单独存放并递送至城市垃圾收集点，根据环保法规进行处置。

此规定由标有叉形标志的带轮垃圾桶符号表示。

用途

本工具用于紧固螺栓或螺母。

安全警告

电动工具通用安全警告

警告： 阅读随电动工具提供的所有安全警告、说明、图示和规定。不遵照以下所列说明会导致电击、着火和 / 或严重伤害。

保存所有警告和说明书以备查阅。

警告中的术语“电动工具”是指市电驱动（有线）电动工具或电池驱动（无线）电动工具。

工作场地的安全

1. 保持工作场地清洁和明亮。杂乱和黑暗的场地会引发事故。
2. 不要在易爆环境，如有易燃液体、气体或粉尘的环境下操作电动工具。电动工具产生的火花会点燃粉尘或气体。

3. 操作电动工具时，远离儿童和旁观者。注意力不集中会使你失去对工具的控制。

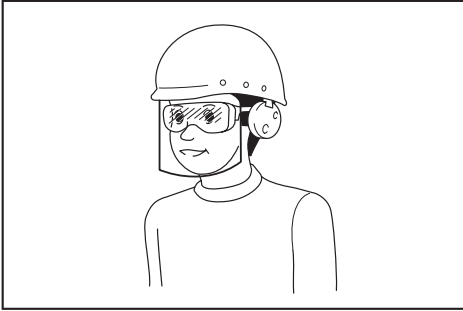
电气安全

1. 电动工具插头必须与插座相配。绝不能以任何方式改装插头。需接地的电动工具不能使用任何转换插头。未经改装的插头和相配的插座将降低电击风险。
2. 避免人体接触接地表面，如管道、散热片和冰箱。如果你身体接触接地表面会增加电击风险。
3. 不得将电动工具暴露在雨中或潮湿环境中。水进入电动工具将增加电击风险。
4. 不得滥用软线。绝不能用软线搬运、拉动电动工具或拔出其插头。使软线远离热源、油、锐边或运动部件。受损或缠绕的软线会增加电击风险。
5. 当在户外使用电动工具时，使用适合户外使用的延长线。适合户外使用的电线将降低电击风险。
6. 如果无法避免在潮湿环境中操作电动工具，应使用带有剩余电流装置（RCD）保护的电源。RCD的使用可降低电击风险。
7. 电动工具会产生对用户无害的电磁场（EMF）。但是，起搏器和其他类似医疗设备的用户应在操作本电动工具前咨询其设备的制造商和 / 或医生寻求建议。

人身安全

1. 保持警觉，当操作电动工具时关注所从事的操作并保持清醒。当你感到疲倦，或在有药物、酒精或治疗反应时，不要操作电动工具。在操作电动工具时瞬间的疏忽会导致严重人身伤害。
2. 使用个人防护装置。始终佩戴护目镜。防护装置，诸如适当条件下使用防尘面具、防滑安全鞋、安全帽、听力防护等装置能减少人身伤害。
3. 防止意外起动。在连接电源和/或电池包、拿起或搬运工具前确保开关处于关闭位置。手指放在开关上搬运工具或开关处于接通时通电会导致危险。
4. 在电动工具接通之前，拿掉所有调节钥匙或扳手。遗留在电动工具旋转零件上的扳手或钥匙会导致人身伤害。
5. 手不要过分伸展。时刻注意立足点和身体平衡。这样能在意外情况下能更好地控制住电动工具。
6. 着装适当。不要穿宽松衣服或佩戴饰品。让你的头发和衣服远离运动部件。宽松衣服、佩饰或长发可能会卷入运动部件。

- 如果提供了与排屑、集尘设备连接用的装置，要确保其连接完好且使用得当。使用集尘装置可降低尘屑引起的危险。
- 不要因为频繁使用工具而产生的熟悉感而掉以轻心，忽视工具的安全准则。某个粗心的动作可能在瞬间导致严重的伤害。
- 使用电动工具时请始终佩戴护目镜以免伤害眼睛。护目镜须符合美国ANSI Z87.1、欧洲EN 166或者澳大利亚/新西兰的AS/NZS 1336的规定。在澳大利亚/新西兰，法律要求佩戴面罩保护脸部。
- 保持切削刀具锋利和清洁。维护良好地有锋利切削刃的刀具不易卡住而且容易控制。
- 按照使用说明书，并考虑作业条件和要进行的作业来选择电动工具、附件和工具的刀头等。将电动工具用于那些与其用途不符的操作可能会导致危险情况。
- 保持手柄和握持表面干燥、清洁，不得沾有油脂。在意外的情况下，湿滑的手柄不能保证握持的安全和对工具的控制。
- 使用本工具时，请勿佩戴可能会缠绕的布质工作手套。布质工作手套卷入移动部件可能会造成人身伤害。



雇主有责任监督工具操作者和其他近工作区域人员佩戴合适的安全防护设备。

电动工具使用和注意事项

- 不要勉强使用电动工具，根据用途使用合适的电动工具。选用合适的按照额定值设计的电动工具会使你工作更有效、更安全。
- 如果开关不能接通或关断电源，则不能使用该电动工具。不能通过开关来控制电动工具是危险的且必须进行修理。
- 在进行任何调节、更换附件或贮存电动工具之前，必须从电源上拔掉插头和/或卸下电池包（如可拆卸）。这种防护性的安全措施降低了电动工具意外起动的风险。
- 将闲置不用的电动工具贮存在儿童所及范围之外，并且不允许不熟悉电动工具和不了解这些说明的人操作电动工具。电动工具在未经培训的使用者手中是危险的。
- 维护电动工具及其附件。检查运动部件是否调整到位或卡住，检查零件破损情况和影响电动工具运行的其他状况。如有损坏，应在使用前修理好电动工具。许多事故是由维护不良的电动工具引发的。

电池式工具使用和注意事项

- 仅使用生产者规定的充电器充电。将适用于某种电池包的充电器用到其他电池包时可能会发生着火危险。
- 仅使用配有专用电池包的电动工具。使用其他电池包可能会产生伤害和着火危险。
- 当电池包不用时，将它远离其他金属物体，例如回形针、硬币、钥匙、钉子、螺钉或其他小金属物体，以防电池包一端与另一端连接。电池组端部短路可能会引起燃烧或着火。
- 在滥用条件下，液体可能会从电池组中溅出；应避免接触。如果意外碰到液体，用水冲洗。如果液体碰到了眼睛，还应寻求医疗帮助。从电池中溅出的液体可能会发生腐蚀或燃烧。
- 不要使用损坏或改装过的电池包或工具。损坏或改装过的电池组可能呈现无法预测的结果，导致着火、爆炸或伤害。
- 不要将电池包暴露于火或高温中。电池包暴露于火或高于130 °C的高温中可能导致爆炸。
- 遵循所有充电说明。不要在说明书中指定的温度范围之外给电池包或电动工具充电。不正确或在指定的温度范围外充电可能会损坏电池和增加着火的风险。

维修

- 让专业维修人员使用相同的备件维修电动工具。这将保证所维修的电动工具的安全。
- 决不能维修损坏的电池包。电池包仅能由生产者或其授权的维修服务商进行维修。
- 上润滑油及更换附件时请遵循本说明书指示。

充电式扳手使用安全警告

1. 在紧固件可能触及暗线进行操作时，要通过绝缘握持面来握持工具。紧固件碰到带电导线会使工具外露的金属零件带电从而使操作者受到电击。
2. 请佩戴耳罩。
3. 安装之前请仔细检查冲击套筒上是否有磨损、裂缝或损坏。
4. 请紧握本工具。
5. 手应远离旋转的部件。
6. 操作之后，请勿立刻触摸冲击套筒、螺栓、螺母或工件。它们可能会非常烫而导致烫伤皮肤。
7. 请务必确保立稳稳固。
在高处使用工具时确保下方无人。
8. 适当的紧固转矩可能会随着螺栓种类或尺寸的不同而不同。使用转矩扳手确认转矩。
9. 请确保不存在电缆、水管、煤气管道等，如果其因使用本工具而受损，可能会引起危险。

请保留此说明书。

警告： 请勿为图方便或因对产品足够熟悉（由于重复使用而获得的经验）而不严格遵循相关产品安全规则。
使用不当或不遵循使用说明书中的安全规则会导致严重的人身伤害。

电池组的重要安全注意事项

1. 在使用电池组之前，请仔细阅读所有的说明以及（1）电池充电器，（2）电池，以及（3）使用电池的产品上的警告标记。
2. 切勿拆卸或改装电池组。否则可能引起火灾、过热或爆炸。
3. 如果机器运行时间变得过短，请立即停止使用。否则可能会导致过热、起火甚至爆炸。
4. 如果电解液进入您的眼睛，用清水将其冲洗干净并立即就医。否则可能会导致视力受损。
5. 请勿使电池组短路：
 - (1) 请勿使任何导电材料碰触到端子。
 - (2) 避免将电池组与其他金属物品如钉子、硬币等放置在同一容器内。

- (3) 请勿将电池组置于水中或使其淋雨。电池短路将产生大的电流，导致过热，并可能导致起火甚至击穿。
6. 请勿在温度可能达到或超过**50°C (122°F)**的场所存放以及使用工具和电池组。
7. 即使电池组已经严重损坏或完全磨损，也请勿焚烧电池组。电池组会在火中爆炸。
8. 请勿对电池组射钉，或者切削、挤压、抛掷、掉落电池组，又或者用硬物撞击电池组。否则可能引起火灾、过热或爆炸。
9. 请勿使用损坏的电池。
10. 本工具附带的锂离子电池需符合危险品法规要求。

第三方或转运代理等进行商业运输时，应遵循包装和标识方面的特殊要求。有关运输项目的准备作业，咨询危险品方面的专业人士。同时，请遵守可能更为详尽的国家法规。

请使用胶带保护且勿遮掩表面的联络信息，并牢固封装电池，使电池在包装内不可动。

11. 丢弃电池组时，需将其从工具上卸下并在安全地带进行处理。关于如何处理废弃的电池，请遵循当地法规。
12. 仅将电池用于**Makita**（牧田）指定的产品。将电池安装至不兼容的产品会导致起火、过热、爆炸或电解液泄漏。
13. 如长时间未使用工具，必须将电池从工具内取出。
14. 使用工具期间以及使用工具之后，电池组温度可能较高易引起灼伤或低温烫伤。处理高温电池组时请小心操作。
15. 在使用工具后请勿立即触碰工具的端子，否则可能引起灼伤。
16. 避免锯屑、灰尘或泥土卡入电池组的端子、孔口和凹槽内。否则可能导致工具或电池组性能下降或故障。
17. 除非工具支持在高压电源线路附近使用，否则请勿在高压电源线路附近使用电池组。否则可能导致工具或电池组故障或失常。
18. 确保电池远离儿童。

请保留此说明书。

小心： 请仅使用Makita（牧田）原装电池。使用非Makita（牧田）原装电池或经过改装的电池可能会导致电池爆炸，从而造成火灾、人身伤害或物品受损。同时也会导致牧田工具和充电器的牧田保修服务失效。

保持电池最大使用寿命的提示

1. 在电池组电量完全耗尽前及时充电。发现工具电量低时，请停止工具操作，并给电池组充电。
2. 请勿对已充满电的电池组重新充电。过度充电将缩短电池的使用寿命。
3. 请在10 °C - 40 °C (50 °F - 104 °F) 的室温条件下给电池组充电。请在灼热的电池组冷却后再充电。
4. 不使用电池组时，请将其从工具或充电器上拆除。
5. 如果电池组长时间（超过六个月）未使用，请给其充电。

功能描述

小心： 调节或检查工具功能之前，请务必关闭工具的电源并取出电池组。

安装或拆卸电池组

小心： 安装或拆卸电池组之前，请务必关闭工具电源。

小心： 安装或拆卸电池组时请握紧工具和电池组。否则它们可能从您的手中滑落，导致工具和电池组受损，甚至造成人身伤害。

► **图片1：** 1. 红色指示器 2. 按钮 3. 电池组

拆卸电池组时，按下电池组前侧的按钮，同时将电池组从工具中抽出。

安装电池组时，要将电池组上的舌簧与外罩上的凹槽对齐，然后推滑到位。将其完全插入到位，直到锁定并发出咔哒声为止。若能看到图示中的红色指示器，则说明未完全锁紧。

小心： 务必完全装入电池组，直至看不见红色指示器为止。否则，它可能会从工具中意外脱落，从而造成自身或他人受伤。

小心： 请勿强行安装电池组。如果电池组难以插入，可能是插入方法不当。

工具 / 电池保护系统

本工具配备有工具 / 电池保护系统。该系统可自动切断机电源以延长工具和电池寿命。作业时，如果工具或电池处于以下情况，工具将会自动停止运转。

过载保护

以导致异常高电流的方式操作电池时，工具会自动停止运转，指示灯不闪烁。在这种情况下，请关闭工具并停止导致工具过载的应用操作。然后开启工具重新启动。

过热保护

工具 / 电池过热时，工具会自动停止。在这种情况下，请待工具 / 电池冷却后再开启工具。

过放电保护

电池电量不足时，本工具自动停止运转。此时，请取出工具中的电池并予以充电。

检查电池的剩余电量（BL1460A）

► **图片2：** 1. 指示灯 2. CHECK（查看）按钮

注： 在不同的使用条件及环境温度下，指示灯所示电量可能与实际情况略有不同。

充电时

充电开始时，第一个（最左侧的）指示灯开始闪烁。然后，其他指示灯会逐个随着充电进度点亮，显示电池电量。

注： 如果充电时指示灯未点亮或闪烁，则电池可能故障。此时，请联系当地的维修中心寻求帮助。

使用时

工具电源开启时，指示灯会亮起以显示电池的剩余电量。工具电源关闭时，大约5秒钟后指示灯熄灭。

在工具电源关闭的情况下按查看按钮时，指示灯会点亮约5秒钟以显示电池电量。橙色灯闪烁时，由于电池的剩余电量低工具会停止（自动停机装置）。此时，请给电池组充电或使用已充满电的电池组。

工具使用长时间未使用的电池并打开电源开关时，可能将无灯亮起。此时，因为电池的剩余电量低，工具将停止。给电池组正确充电。

开关操作

► 图片3: 1. 开关扳机

⚠小心: 在将电池组插入工具之前, 请务必检查开关扳机是否能扣动自如, 松开时能否退回至“OFF”(关闭)位置。

启动工具时, 只要扣动开关扳机即可。随着在开关扳机上施加压力的增大, 工具速度会提高。松开开关扳机工具即停止。

注: 如果持续扣动开关扳机约3分钟, 机器将自动停止。

点亮前灯

► 图片4: 1. 照明灯

⚠小心: 请勿直视灯光或光源。

扣动开关扳机点亮照明灯。在扣动开关扳机期间此灯保持常亮。松开开关扳机约10秒后, 灯将熄灭。

注: 请使用干布擦拭灯头灰。注意不要刮花灯头, 否则会降低亮度。

反转开关的操作

► 图片5: 1. 反转切换柄

⚠小心: 操作前请务必确认工具的旋转方向。

⚠小心: 只有当工具完全停止转动后方可使用反转开关。如果在工具停止之前改变旋转方向, 可能会损坏工具。

⚠小心: 不使用工具时, 请务必将反转切换柄置于空档位置。

本工具设有反转开关, 可改变旋转方向。自A侧按压反转切换柄可进行顺时针方向旋转; 自B侧按压则进行逆时针方向旋转。反转切换柄处于空档位置时, 开关扳机无法扣动。

在计算机上更改参数设置

您可以利用“Makita Industry Tool Settings”应用软件配置工具的详细设置。将应用软件安装至电脑并用USB电缆将工具连接至电脑。

请参见“Makita Industry Tool Settings”使用说明书了解配置详情。

► 图片6: 1. USB端口 2. USB盖 3. USB电缆

注意: 紧固时务必确保USB盖已闭合。

注: 当沿顺时针方向按压反转切换柄时, 指示器显示顺时针旋转设置。

当沿逆时针方向按压反转切换柄时, 指示器显示逆时针旋转设置。

注: 以预设数值作为基准值。持续保持紧固转矩时, 冲击次数会自动随剩余电池电量变化而变化。

注: 使用Makita(牧田)原装USB电缆将电脑连接至工具。请参阅“规格”章节。

注: 关于应用软件, 请联系Makita(牧田)销售代表。

更改工具上的参数设置（现场设置模式）

注意：默认情况下可以使用此功能。若已在电脑上禁用“现场设置模式”，请提前启用此功能。请参见“Makita Industry Tool Settings”使用说明书了解如何配置。

注意：若禁用“现场设置模式”，将无法对工具进行设置。当按下“设置”按钮时，将按顺序显示工具上的设定值。

指示器显示当前设定数值。

每次按下“设置”按钮时，指示器都会显示转矩级别、冲击级别、可工作的时间范围以及“Ad”。

► **图片7： 1. 设置按钮 2. 指示灯**

您可以更改以下的工具参数设置：

- 自动停止设置/自由模式

设置项	指示器显示内容	说明
转矩级别	01 - 40 FF OP	“自动停止拧紧”模式开始工作的转矩级别
冲击级别	L1 - L7 OP	紧固装置就位的敏感度
可工作的时间范围	Lo: 0.1 - 9.9 Hi: 0.1 - 9.9 --	继续扣动开关扳机时的最短/最长旋转时间。

注意：当指示器上显示“OP”（“自动停止拧松”模式）时，无法进行扭矩级别设置和冲击级别设置。此时，应将模式更改为“自动停止拧紧”模式，然后在电脑上利用“Makita Industry Tool Settings”应用软件设置转矩级别和冲击级别。

更改转矩级别

将转矩级别从**23**更改为**34**时

► **图片8**

1. 按下设置按钮数次直至指示器显示代表当前转矩级别设置的**2**位数字为止。
2. 按住“设置”按钮直至十数位数字开始闪烁为止。
3. 通过快速按下设置按钮，可设置十数位数字。每次按下“设置”按钮，指示器都会按“0”至“4”和“F”的顺序循环显示。
4. 按住“设置”按钮直至个数位数字开始闪烁为止。
5. 通过快速按下设置按钮，可设置个数位数字。每次按下“设置”按钮，指示器都会按“0”至“9”和“F”的顺序循环显示。
6. 按住“设置”按钮数秒。

注：若不确定当前工作适合选择哪一种转矩级别，您可以设置“FF”使工具在自由模式下工作。

注：当输入“00”时，指示器将显示“FF”而非“00”。

更改冲击级别

将冲击级别从**L1**更改为**L2**时

► **图片9**

1. 按下“设置”按钮数次直至指示器显示以“L”开头、后面紧跟数字的**2**位字符为止。其表示当前的冲击级别设置。
2. 按住“设置”按钮直至指示器开始闪烁为止。
3. 设置冲击级别。每次按下“设置”按钮，指示器都会按“L1”至“L7”的顺序循环显示。最低冲击级别为“L1”，最高为“L7”。
4. 按住“设置”按钮数秒。

更改最短可工作的时间范围

将最短可工作的时间范围从2.5更改为3.6时

► 图片10

1. 按下“设置”按钮数次直至指示器交替显示“Lo”和数字为止。其表示最短可工作的时间范围的当前设置。
2. 按住“设置”按钮直至个數位数字开始闪烁为止。
3. 通过快速按下设置按钮，可设置个數位数字。每次按下“设置”按钮，指示器都会按“0”至“9”的顺序循环显示。
4. 按住“设置”按钮直至小數位数字开始闪烁为止。
5. 通过快速按下设置按钮，可设置小數位数字。每次按下“设置”按钮，指示器都会按“0”至“9”的顺序循环显示。
6. 按住“设置”按钮数秒。

注：当最短可工作的时间范围设置为小于“0.1”的数值时，指示器将显示“-.-”，同时最短可工作的时间范围将变为禁用状态。要输入“-.-”时，请将数值设置为“0.9”，当个數位数字开始闪烁时按下“设置”按钮。

更改最长可工作的时间范围

将最长可工作的时间范围从2.5更改为3.6时

► 图片11

1. 按下“设置”按钮数次直至指示器交替显示“Hi”和数字为止。其表示最长可工作的时间范围的当前设置。
2. 按住“设置”按钮直至个數位数字开始闪烁为止。
3. 通过快速按下设置按钮，可设置个數位数字。每次按下“设置”按钮，指示器都会按“0”至“9”的顺序循环显示。
4. 按住“设置”按钮直至小數位数字开始闪烁为止。
5. 通过快速按下设置按钮，可设置小數位数字。每次按下“设置”按钮，指示器都会按“0”至“9”的顺序循环显示。
6. 按住“设置”按钮数秒。

注：当最长可工作的时间范围设置为大于“9.9”的数值时，指示器将显示“-.-”，同时最长可工作的时间范围将变为禁用状态。要输入“-.-”时，请将数值设置为“9.9”，当个數位数字开始闪烁时按下“设置”按钮。

测量实际工作参数（自诊断）

注意：默认情况下可以使用此功能。若已在电脑上禁用“现场设置模式”，请提前启用此功能。请参见“Makita Industry Tool Settings”使用说明书了解如何配置。

您可以通过操作工具来测量转矩级别和实际操作时间。测量的转矩级别和时间可用于以下用途：

- 还原熟练工人控制扭矩的技术水平；
- 确定最短/最长可工作的时间范围设置基准。

测量转矩级别和操作时间

1. 按下“设置”按钮数次直至指示器显示“Ad.”为止。
2. 按住“设置”按钮直至指示器显示“Ch”为止。
3. 执行要测量操作时间时对应的操作。
 - 若已配置转矩级别，可持续操作工具直至其在“自动停止拧紧”模式下停止为止。
 - 若未配置转矩级别（自由模式），可按需操作工具。
4. 检查已测量的结果。按一次“设置”按钮将显示实际转矩级别，再按一次将显示实际操作时间。
每次按下“设置”按钮，指示器都会按“Ch”、实际转矩级别数值和实际操作时间数值，的顺序循环显示。
5. 按住“设置”按钮将退出“自诊断”。

注：“自动停止拧紧”模式可在“自诊断”状态下启用。要在无限制条件下测量转矩级别，可先设置转矩级别“FF”（自由模式），然后执行上述步骤。

注：当指示器上显示“-.-”时，冲击起子机不工作或者转矩级别高于40。当指示器显示“-.-”时，操作时间超出9.9秒。

- 若冲击起子机不工作：以更长的可工作时间重新测量转矩级别。
- 当转矩级别高于40时：工具无法测量转矩级别。如条件允许，请使用转矩范围更大的工具。
- 当操作时间超出9.9秒时，可操作时间范围不可用。

测量示例：

若配置以下设置，则可以读取工具状态。

示例1

设置项	工具设置	测量结果	诊断
转矩级别	23	20	在工具的转矩级别达到“自定停止拧紧”模式的设定值（转矩级别23）之前，工具在最长可工作的时间范围设定值（3.5秒）作用下停止运行。
可工作的时间范围	最短：2.5秒 最长：3.5秒	3.5	

示例2

设置项	工具设置	测量结果	诊断
转矩级别	23	23	在工具达到最长可工作的时间范围设定值（3.5秒）之前，工具在“自动停止拧紧”模式（转矩级别23）的作用下停止运行。
可工作的时间范围	最短：2.5秒 最长：3.5秒	3	

LED指示灯 / 蜂鸣器

► 图片12: 1. LED指示灯

工具上的LED指示灯 / 蜂鸣器会显示以下功能。

警报编号	功能	工具的状态	LED指示灯 / 蜂鸣器的状态		采取的措施
			LED指示灯	蜂鸣器	
E0	电池安装错误	扣动开关扳机并安装电池组时，工具会停止运转以免意外启动。	交替呈红色和绿色闪烁。	一连串较长的蜂鸣声	在松开开关扳机的情况下安装电池组。
E1	自动停止	电池电量变低，需更换电池组。	交替呈红色和绿色闪烁。	一连串较长的蜂鸣声	更换充满电的电池。
E2	控制器反重置	电池电压因某些原因异常降低且工具停止。	交替呈红色和绿色闪烁。	一连串较长的蜂鸣声	更换充满电的电池。
E3	剩余电池电量低时自动停机	电池电量几乎用尽且工具停止。	呈红色亮起。	一声较长的蜂鸣声	更换充满电的电池。
E4	过载保护	工具过载并停止运行。	交替呈红色和绿色闪烁。	一连串较长的蜂鸣声	消除过载诱因，然后重新启动工具。请当地的Makita（牧田）维修服务中心进行修复。
E5	过热保护	工具的控制器的异常发热且工具停止。	呈红色快速闪烁。	一连串较长的蜂鸣声	立即拆下电池组并冷却工具。
E6	电机锁定	电机已锁定。此时工具不工作。	交替呈红色和绿色闪烁。	一连串较长的蜂鸣声	松开开关扳机，然后再次扣动扳机。
E7	电机故障	工具检测到电机故障。此时工具不工作。	交替呈红色和绿色闪烁。	一连串较长的蜂鸣声	请当地的Makita（牧田）维修服务中心进行修复。
E8	开关故障	工具检测到开关故障。	交替呈红色和绿色闪烁。	一连串较长的蜂鸣声	请当地的Makita（牧田）维修服务中心进行修复。
E9	长时间工作警报	工具长时间开机（约3分钟）。	交替呈红色和绿色闪烁。	一声较长的蜂鸣声	松开开关扳机，然后再次扣动扳机。

警报编号	功能	工具的状态	LED指示灯 / 蜂鸣器的状态		采取的措施
			LED指示灯	蜂鸣器	
-	紧固完成时自动停机	达到了预设的紧固转矩且工具停止。	呈绿色亮起约1秒的时间。	-	-
-	紧固不足警报	由于紧固完成前松开了开关扳机，因此未达到预设的紧固转矩。	呈绿色亮起约1秒的时间。	一声较长的蜂鸣声	重新拧紧紧固装置。
-	紧固能力限值警报	-	呈红色快速闪烁。	一连串较长的蜂鸣声	更换充满电的电池。
-	保养警报	驱动次数已达到保养预设值。	闪烁黄色。	-	通过应用软件重置警报。
-	与PC无通信警报	工具与PC相连时无数据通信。	闪烁黄色。	-	重新启动应用软件并重新连接USB电缆。
-	指示工具可以与PC通信	工具已连接至PC且可以进行通信。	闪烁绿色。	-	-
-	检查灯和蜂鸣器（当安装电池组时）	工具对LED指示灯（绿色/红色）、照明灯和蜂鸣器进行工作测试。	LED指示灯先发出绿色光，再发出红色光。随后，照明灯会开启一段时间。	一连串非常短促的蜂鸣声	-

装配

⚠️小心： 对工具进行任何装配操作前，请务必关闭工具电源，并取出电池组。

正确选择冲击套筒

请务必根据螺栓和螺母选择正确尺寸的冲击套筒。冲击套筒尺寸不正确将导致紧固转矩不正确或不统一和 / 或螺栓或螺母受损。

安装或拆卸冲击套筒

选购附件

⚠️小心： 安装冲击套筒前，请确保冲击套筒和安装部分未损坏。

⚠️小心： 插入冲击套筒后，请务必确保其紧固。如果脱落出来，则请勿使用。

注： 冲击套筒的安装方式因工具的方形传动螺杆的类型而异。

带环形弹簧的工具

无O型环和销的冲击套筒

► **图片13：** 1. 冲击套筒 2. 方形传动螺杆 3. 环形弹簧

将冲击套筒按压至方形传动螺杆上，直至其锁定到位。

拆卸冲击套筒时，只需将其拔下即可。

带O型环和销的冲击套筒

► 图片14: 1. 冲击套筒 2. O型环 3. 销

将O型环移出冲击套筒的凹槽，取下冲击套筒上的销。将冲击套筒置于方形传动螺杆上，使冲击套筒上的孔与方形传动螺杆上的孔对齐。

将销穿过冲击套筒和方形传动螺杆上的孔。然后将O型环移回到冲击套筒凹槽内的原始位置使销固定。

需拆下冲击套筒时，请按与安装时相反的步骤进行。

带定位销的工具

► 图片15: 1. 冲击套筒 2. 孔 3. 方形传动螺杆 4. 定位销

将冲击套筒侧孔对齐方形传动螺杆上的定位销，然后将冲击套筒按压至方形传动螺杆上，直至其锁定到位。必要时可轻轻拍打。

拆卸冲击套筒时，只需将其拔下即可。如果难以拆卸，请按压定位销以拔出冲击套筒。

安装挂钩

选购附件

挂钩用于悬挂工具。将挂钩安装至工具主体上的孔。

► 图片16: 1. 挂钩 2. 孔

操作

⚠️小心： 插入电池组时请务必使其完全锁紧到位。如果插入后仍能看到按钮上侧的红色指示灯，则说明电池组未完全锁紧。此时，须将电池适配器完全插入，直到红色指示灯不亮为止。否则它可能会意外从工具中脱落，从而造成自身或他人受伤。

⚠️小心： 牢牢握住工具并将冲击套筒置于螺栓或螺母上。开启机器并以适当的紧固时间开始紧固。

⚠️小心： 如果工具连续工作到电池组电量耗尽，则应暂停使用工具15分钟，再用已充电的电池组继续操作。

⚠️小心： 过分用力按压工具并不会提高钻孔效率。事实上，过大的压力只会损坏钻头尖，降低工具性能，缩短工具使用寿命。

⚠️小心： 请务必用虎钳或类似夹装置固定工件。

► 图片17

适当的紧固转矩可能会随着螺栓种类或尺寸、需紧固工件材料等的不同而异。

注意： 当紧固小号的螺栓时，应注意调节施加在开关扳机上的压力以免损坏螺栓。

注意： 使工具平直对准螺栓或螺母。

注意： 紧固转矩过大可能损坏螺栓 / 螺母或冲击套筒。开始工作前，请务必进行试运转以确定适用于螺栓或螺母的适当紧固时间。

紧固转矩受下述多种因素影响。紧固后，请务必使用转矩扳手确认转矩。

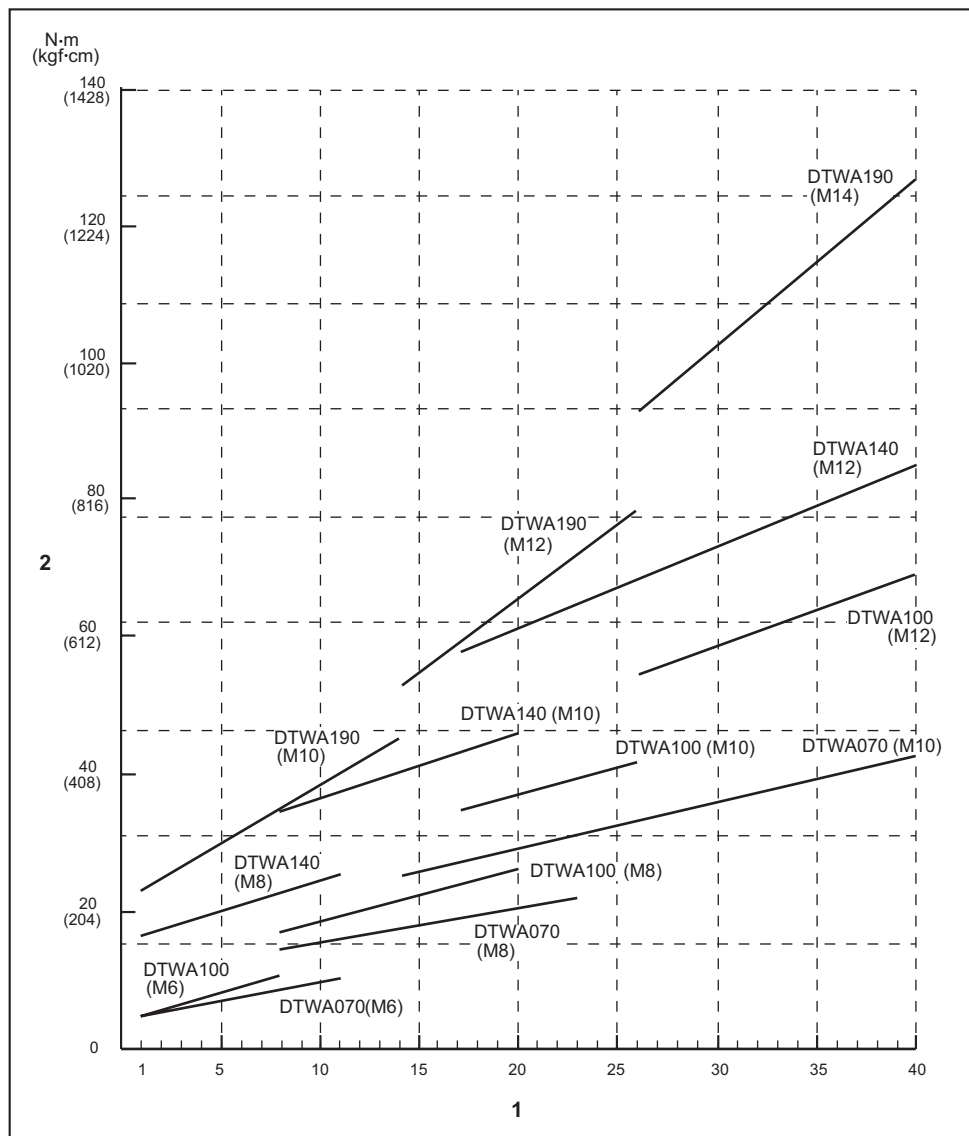
1. 当电池组电量将要完全耗尽时，电压将会下降，紧固转矩也会减小。
2. 冲击套筒
 - 使用尺寸不正确的冲击套筒将会造成紧固转矩减小。
 - 已经破损的冲击套筒（六角端或矩形端磨损）会减小紧固转矩。
3. 螺栓
 - 即使转矩系数和螺栓等级相同，但因其直径不同，所需紧固转矩也不同。
 - 即使螺栓的直径相同，但因其转矩系数、等级及其长度不同，所需紧固转矩也不相同。

- 使用万向节或延伸杆会在某种程度上减少冲击套筒扳手的紧固力。可通过延长紧固时间进行弥补。
- 握持工具的方式或上螺栓部位的材料也会影响转矩。
- 低速操作工具也会减小紧固转矩。

紧固转矩和转矩水平

注：该参考值由Makita（牧田）指定的测量条件测量得出。

注：实际值可能会因紧固装置、材料和紧固方法的情况而不同。在实际作业前，请进行试操作。



1. 转矩水平 2. 紧固转矩

保养

⚠小心： 检查或保养工具之前，请务必关闭工具电源并取出电池组。

注意： 切勿使用汽油、苯、稀释剂、酒精或类似物品清洁工具。否则可能会导致工具变色、变形或出现裂缝。

为了保证产品的安全与可靠性，维修、任何其他维修保养或调节需由Makita（牧田）授权的或工厂维修服务中心完成。务必使用Makita（牧田）的替换部件。

选购附件

⚠小心： 这些附件或装置专用于本说明书所列的Makita（牧田）工具。如使用其他厂牌附件或装置，可能导致人身伤害。仅可将附件或装置用于规定目的。

如您需要了解更多关于这些选购附件的信息，请咨询当地的Makita（牧田）维修服务中心。

- 挂钩
- 保护罩（蓝色、红色、黄色、绿色、透明）
- BL1460A电池保护罩
- BL1415NA电池保护罩
- Makita（牧田）原装电池和充电器
- USB电缆

注： 本列表中的一些部件可能作为标准配件包含于工具包装内。它们可能因销往国家之不同而异。

SPESIFIKASI

Model:	DTWA070	DTWA100	DTWA140	DTWA190
Kapasitas pengencangan	Baut standar	M5 - M12		M6 - M16
	Baut mutu tinggi	M5 - M10		M8 - M14
Torsi pengencangan maksimum	65 N•m	95 N•m	140 N•m	185 N•m
Rentang torsi	Sekitar 5 - 40 N•m	Sekitar 6 - 65 N•m	Sekitar 18 - 80 N•m	Sekitar 25 - 125 N•m
Kepala persegi	9,5 mm		12,7 mm	
Kecepatan tanpa beban (RPM)	0 - 2.500 min ⁻¹		0 - 2.700 min ⁻¹	
Hentakan per menit	0 - 3.700 min ⁻¹		0 - 3.300 min ⁻¹	
Panjang keseluruhan	144 mm	151 mm	158 mm	
Tegangan terukur	D.C. 14,4 V			
Berat bersih	1,1 - 1,4 kg	1,2 - 1,4 kg	1,2 - 1,5 kg	1,3 - 1,6 kg
Kabel USB yang sesuai	661432-2			

- Karena kesinambungan program penelitian dan pengembangan kami, spesifikasi yang disebutkan di sini dapat berubah tanpa pemberitahuan.
- Spesifikasi dapat berbeda dari satu negara ke negara lainnya.
- Berat alat mungkin berbeda tergantung perangkat tambahan yang dipasang, termasuk kartrid baterai. Kombinasi alat terberat dan teringan, sesuai Prosedur EPTA 01/2014, ditunjukkan pada tabel.

Kartrid dan pengisi daya baterai yang dapat digunakan

Kartrid baterai	BL1415N / BL1415NA / BL1430B / BL1440 / BL1460A / BL1460B
Pengisi daya	DC18RC / DC18RD / DC18RE / DC18SD / DC18SE / DC18SF / DC18SH

- Beberapa kartrid baterai dan pengisi daya yang tercantum di atas mungkin tidak tersedia, tergantung wilayah tempat tinggal Anda.

⚠ PERINGATAN: Hanya gunakan kartrid dan pengisi daya baterai yang tercantum di atas. Penggunaan kartrid dan pengisi daya baterai lain dapat menimbulkan risiko cedera dan/atau kebakaran.

Simbol

Berikut ini adalah simbol-simbol yang dapat digunakan pada peralatan ini. Pastikan Anda memahami arti masing-masing simbol sebelum menggunakan peralatan.



Baca petunjuk penggunaan.



Ni-MH
Li-ion

Hanya untuk negara-negara UE
Akibat adanya komponen berbahaya dalam peralatan, limbah peralatan listrik dan elektronik, aki dan baterai dapat memiliki dampak negatif pada lingkungan dan kesehatan manusia.

Jangan buang peralatan listrik dan elektronik atau baterai bersama limbah rumah tangga!

Sesuai dengan Petunjuk Eropa tentang limbah peralatan listrik dan elektronik dan tentang aki dan baterai serta limbah aki dan baterai, serta penyesuaiannya terhadap undang-undang nasional, limbah peralatan listrik, baterai dan aki harus disimpan secara terpisah dan dikirim ke tempat pengumpulan terpisah untuk sampah kota, beroperasi sesuai dengan peraturan tentang perlindungan lingkungan.

Hal ini ditunjukkan dengan simbol tempat sampah bersilang yang ditempatkan pada peralatan.

Penggunaan

Mesin ini digunakan untuk mengencangkan baut dan mur.

PERINGATAN KESELAMATAN

Peringatan keselamatan umum mesin listrik

⚠️ PERINGATAN: Bacalah semua peringatan keselamatan, petunjuk, ilustrasi dan spesifikasi yang disertakan bersama mesin listrik ini. Kelalaian untuk mematuhi semua petunjuk yang tercantum di bawah ini dapat menyebabkan sengatan listrik, kebakaran dan/atau cedera serius.

Simpanlah semua peringatan dan petunjuk untuk acuan di masa depan.

Istilah "mesin listrik" dalam semua peringatan mengacu pada mesin listrik yang dijalankan dengan sumber listrik jala-jala (berkabel) atau baterai (tanpa kabel).

Keselamatan tempat kerja

1. **Jaga tempat kerja selalu bersih dan berpenerangan cukup.** Tempat kerja yang berantakan dan gelap mengundang kecelakaan.
2. **Jangan gunakan mesin listrik dalam lingkungan yang mudah meledak, misalnya jika ada cairan, gas, atau debu yang mudah menyala.** Mesin listrik menimbulkan bunga api yang dapat menyalakan debu atau uap tersebut.
3. **Jauhkan anak-anak dan orang lain saat menggunakan mesin listrik.** Bila perhatian terpecah, anda dapat kehilangan kendali.

Keamanan Kelistrikan

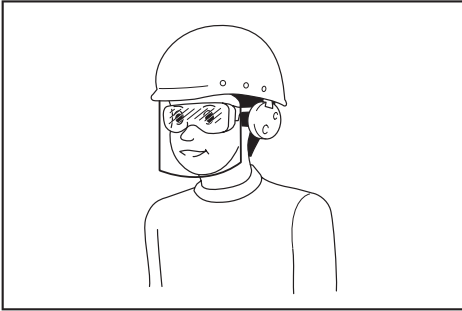
1. **Steker mesin listrik harus cocok dengan stopkontak. Jangan sekali-kali mengubah steker dengan cara apa pun. Jangan menggunakan adaptor dengan mesin listrik turbin (dibumikan).** Steker yang tidak diubah dan stopkontak yang cocok akan mengurangi risiko sengatan listrik.
2. **Hindari sentuhan tubuh dengan permukaan turbin atau yang dibumikan seperti pipa, radiator, kompor, dan kulkas.** Risiko sengatan listrik bertambah jika tubuh Anda terbumikan atau dibumikan.
3. **Jangan membiarkan mesin listrik kehujanan atau kebasahan.** Air yang masuk ke dalam mesin listrik akan meningkatkan risiko sengatan listrik.
4. **Jangan menyalahtgunakan kabel. Jangan sekali-kali menggunakan kabel untuk membawa, menarik, atau mencabut mesin listrik dari stopkontak. Jauhkan kabel dari panas, minyak, tepian tajam, atau bagian yang bergerak.** Kabel yang rusak atau kusut memperbesar risiko sengatan listrik.
5. **Bila menggunakan mesin listrik di luar ruangan, gunakan kabel ekstensi yang sesuai untuk penggunaan di luar ruangan.** Penggunaan kabel yang sesuai untuk penggunaan luar ruangan mengurangi risiko sengatan listrik.

6. **Jika mengoperasikan mesin listrik di lokasi lembap tidak terhindarkan, gunakan pasokan daya yang dilindungi peranti imbasan arus (residual current device - RCD).** Penggunaan RCD mengurangi risiko sengatan listrik.
7. **Mesin listrik dapat menghasilkan medan magnet (EMF) yang tidak berbahaya bagi pengguna.** Namun, pengguna alat pacu jantung atau peralatan medis sejenisnya harus berkonsultasi dengan produsen peralatan tersebut dan/atau dokter mereka sebelum mengoperasikan mesin listrik ini.

Keselamatan Diri

1. **Jaga kewaspadaan, perhatikan pekerjaan Anda dan gunakan akal sehat bila menggunakan mesin listrik. Jangan menggunakan mesin listrik saat Anda lelah atau di bawah pengaruh obat bius, alkohol, atau obat.** Sekejap saja lalai saat menggunakan mesin listrik dapat menyebabkan cedera badan serius.
2. **Gunakan alat pelindung diri. Selalu gunakan pelindung mata.** Peralatan pelindung seperti masker debu, sepatu pengaman anti-selip, helm pengaman, atau pelindung telinga yang digunakan untuk kondisi yang sesuai akan mengurangi risiko cedera badan.
3. **Cegah penyalaan yang tidak disengaja. Pastikan bahwa sakelar berada dalam posisi mati (off) sebelum menghubungkan mesin ke sumber daya dan/atau paket baterai, atau mengangkat atau membawanya.** Membawa mesin listrik dengan jari Anda pada sakelarnya atau mengalirkan listrik pada mesin listrik yang sakelarnya hidup (on) akan mengundang kecelakaan.
4. **Lepaskan kunci-kunci penyetel sebelum menghidupkan mesin listrik.** Kunci-kunci yang masih terpasang pada bagian mesin listrik yang berputar dapat menyebabkan cedera.
5. **Jangan meraih terlalu jauh. Jagalah pijakan dan keseimbangan sepanjang waktu.** Hal ini memungkinkkan kendali yang lebih baik atas mesin listrik dalam situasi yang tidak diharapkan.
6. **Kenakan pakaian yang memadai. Jangan memakai pakaian yang longgar atau perhiasan. Jaga jarak antara rambut dan pakaian Anda dengan komponen mesin yang bergerak.** Pakaian yang longgar, perhiasan, atau rambut yang panjang dapat tersangkut pada komponen yang bergerak.
7. **Jika tersedia fasilitas untuk menghisap dan mengumpulkan debu, pastikan fasilitas tersebut terhubung listrik dan digunakan dengan baik.** Penggunaan pembersih debu dapat mengurangi bahaya yang terkait dengan debu.
8. **Jangan sampai Anda lelah dan mengabaikan prinsip keselamatan mesin ini hanya karena sudah sering mengoperasikannya dan sudah merasa terbiasa.** Tindakan yang lalai dapat menyebabkan cedera berat dalam sepersekian detik saja.

9. **Selalu kenakan kacamata pelindung untuk melindungi mata dari cedera saat menggunakan mesin listrik. Kacamata harus sesuai dengan ANSI Z87.1 di Amerika Serikat, EN 166 di Eropa, atau AS/NZS 1336 di Australia/Selandia Baru. Di Australia/Selandia Baru, secara hukum Anda juga diwajibkan mengenakan pelindung wajah untuk melindungi wajah Anda.**



Menjadi tanggung jawab atasannya untuk menerapkan penggunaan alat pelindung keselamatan yang tepat bagi operator mesin dan orang lain yang berada di area kerja saat itu.

Penggunaan dan pemeliharaan mesin listrik

- 1. Jangan memaksa mesin listrik. Gunakan mesin listrik yang tepat untuk keperluan Anda.** Mesin listrik yang tepat akan menuntaskan pekerjaan dengan lebih baik dan aman pada kecepatan sesuai rancangannya.
- 2. Jangan gunakan mesin listrik jika sakelar tidak dapat menyala dan memastikannya.** Mesin listrik yang tidak dapat dikendalikan dengan sakelarnya adalah berbahaya dan harus diperbaiki.
- 3. Cabut steker dari sumber listrik dan/atau lepas paket baterai, jika dapat dilepas, dari mesin listrik sebelum melakukan penyetelan apa pun, mengganti aksesoris, atau menyimpan mesin listrik.** Langkah keselamatan preventif tersebut mengurangi risiko hidupnya mesin secara tak sengaja.
- 4. Simpan mesin listrik jauh dari jangkauan anak-anak dan jangan biarkan orang yang tidak paham mengenai mesin listrik tersebut atau petunjuk ini menggunakan mesin listrik.** Mesin listrik sangat berbahaya di tangan pengguna yang tak terlatih.
- 5. Rawatlah mesin listrik dan aksesoris. Periksa apakah ada komponen bergerak yang tidak lurus atau macet, komponen yang pecah, dan kondisi-kondisi lain yang dapat memengaruhi pengoperasian mesin listrik. Jika rusak, perbaiki mesin listrik terlebih dahulu sebelum digunakan.** Banyak kecelakaan disebabkan oleh kurangnya pemeliharaan mesin listrik.
- 6. Jaga agar mesin pemotong tetap tajam dan bersih.** Mesin pemotong yang terawat baik dengan mata pemotong yang tajam tidak mudah macet dan lebih mudah dikendalikan.
- 7. Gunakan mesin listrik, aksesoris, dan mata mesin, dll. sesuai dengan petunjuk ini, dengan memperhitungkan kondisi kerja dan jenis pekerjaan yang dilakukan.** Penggunaan mesin listrik untuk penggunaan yang lain dari peruntukan dapat menimbulkan situasi berbahaya.
- 8. Jagalah agar gagang dan permukaan pegangan tetap kering, bersih, dan bebas dari minyak dan pelumas.** Gagang dan permukaan pegangan yang licin tidak mendukung keamanan penanganan dan pengendalian mesin dalam situasi-situasi tak terduga.
- 9. Ketika menggunakan mesin, jangan menggunakan sarung tangan kain yang dapat tersangkut.** Sarung tangan kain yang tersangkut pada komponen bergerak dapat mengakibatkan cedera pada pengguna.

Penggunaan dan pemeliharaan mesin bertenaga baterai

- 1. Isi ulang baterai hanya dengan pengisi daya yang ditentukan oleh pabrik.** Pengisi daya yang cocok untuk satu jenis paket baterai dapat menimbulkan risiko kebakaran ketika digunakan untuk paket baterai yang lain.
- 2. Gunakan mesin listrik hanya dengan paket baterai yang telah ditentukan secara khusus.** Penggunaan paket baterai lain dapat menimbulkan risiko cedera dan kebakaran.
- 3. Ketika paket baterai tidak digunakan, jauhkan dari benda logam lain, seperti penjepit kertas, uang logam, kunci, paku, sekrup atau benda logam kecil lainnya, yang dapat menghubungkan satu terminal ke terminal lain.** Hubungan singkat terminal baterai dapat menyebabkan luka bakar atau kebakaran.
- 4. Pemakaian yang salah, dapat menyebabkan keluarnya cairan dari baterai; hindari kontak. Jika terjadi kontak secara tidak sengaja, bilas dengan air. Jika cairan mengenai mata, cari bantuan medis.** Cairan yang keluar dari baterai bisa menyebabkan iritasi atau luka bakar.
- 5. Jangan menggunakan paket baterai atau mesin yang sudah rusak atau telah diubah.** Baterai yang rusak atau telah diubah dapat menyebabkan hal-hal yang tidak dapat diprediksi yang dapat menyebabkan kebakaran, ledakan atau risiko cedera.
- 6. Jangan membiarkan paket baterai atau mesin dekat dengan api atau suhu yang berlebihan.** Paparan api atau suhu di atas 130 °C dapat menyebabkan ledakan.
- 7. Ikuti semua petunjuk pengisian daya dan jangan mengisi daya paket baterai atau mesin di luar rentang suhu yang ditentukan di panduan.** Mengisi daya secara tidak tepat atau pada suhu di luar rentang yang ditentukan dapat merusak baterai dan meningkatkan risiko kebakaran.

Servis

- 1. Berikan mesin listrik untuk diperbaiki hanya kepada oleh teknisi yang berkualifikasi dengan menggunakan hanya suku cadang pengganti yang serupa.** Hal ini akan menjamin terjaganya keamanan mesin listrik.

2. **Jangan pernah memperbaiki paket baterai yang sudah rusak.** Perbaiki paket baterai harus dilakukan hanya oleh produsen atau penyedia servis resmi.
3. **Patuhi petunjuk pelumasan dan penggantian aksesoris.**
4. **Jika elektrolit mengenai mata Anda, basuh dengan air bersih dan segera cari pertolongan medis.** Hal tersebut dapat mengakibatkan hilangnya kemampuan penglihatan Anda.
5. **Jangan menghubungkan terminal kartrid baterai:**
 - (1) **Jangan menyentuh terminal dengan bahan penghantar listrik apa pun.**
 - (2) **Hindari menyimpan kartrid baterai pada wadah yang berisi benda logam lain seperti paku, uang logam, dsb.**
 - (3) **Jangan membiarkan baterai terkena air atau kehujanan.**

Peringatan keselamatan kunci hentam listrik tanpa kabel

1. **Pegang mesin listrik pada permukaan genggam yang terisolasi saat melakukan pekerjaan bila pengencang mungkin bersentuhan dengan kawat tersembunyi.** Pengencang yang menyentuh kawat "hidup" dapat menyebabkan bagian logam pada mesin teraliri arus listrik dan menyengat pengguna.
2. **Kenakan pelindung telinga.**
3. **Periksa soket hentam dengan seksama terhadap adanya keausan, keretakan atau kerusakan sebelum pemasangan.**
4. **Pegang mesin kuat-kuat.**
5. **Jauhkan tangan dari bagian yang berputar.**
6. **Jangan menyentuh soket hentam, baut, mur, atau benda kerja sesaat setelah pengoperasian.** Suhuinya mungkin masih sangat panas dan dapat membakar kulit Anda.
7. **Selalu pastikan Anda memiliki pijakan kuat.** Pastikan tidak ada orang di bawah Anda ketika menggunakan mesin di lokasi tinggi.
8. **Torsi pengencangan yang tepat bisa berbeda tergantung pada macam atau ukuran baut.** Periksa torsi dengan menggunakan kunci torsi.
9. **Pastikan tidak ada kabel listrik, pipa air, pipa gas, dll. yang dapat menyebabkan bahaya jika mengalami kerusakan akibat penggunaan mesin.**
6. **Jangan menyimpan dan menggunakan mesin dan kartrid baterai pada lokasi dengan suhu yang bisa mencapai atau melebihi 50 °C (122 °F).**
7. **Jangan membuang kartrid baterai di tempat pembakaran sampah walaupun benar-benar rusak atau tidak bisa digunakan sama sekali.** Kartrid baterai bisa meledak jika terbakar.
8. **Jangan memaku, memotong, menghancurkan, melempar, menjatuhkan kartrid baterai, atau memukulkan benda keras ke kartrid baterai.** Tindakan tersebut dapat menimbulkan api, panas berlebih, atau ledakan.
9. **Jangan menggunakan baterai yang rusak.**
10. **Baterai litium-ion yang disertakan sesuai dengan persyaratan Perundangan Makanan Berbahaya.** Harus ada pengawasan untuk pengangkutan komersial misalnya oleh pihak ketiga, ekspeditor, persyaratan khusus terhadap pengemasan dan pelabelan. Diperlukan adanya konsultasi dengan ahli mengenai material berbahaya untuk persiapan barang yang akan dikirimkan. Perhatikan pula peraturan nasional yang lebih terperinci yang mungkin ada. Beri perekat atau tutupi bagian yang terbuka dan kemasi baterai dengan cara yang tidak akan menimbulkan pergeseran dalam pengemasan.

SIMPAN PETUNJUK INI.

⚠️ PERINGATAN: JANGAN biarkan kenyamanan atau terbiasanya Anda dengan produk (karena penggunaan berulang) mengurangi kepatuhan yang ketat terhadap aturan keselamatan untuk produk yang terkait.

PENYALAHGUNAAN atau kelalaian mematuhi kaidah keselamatan yang tertera dalam petunjuk ini dapat menyebabkan cedera badan serius.

Petunjuk keselamatan penting untuk kartrid baterai

1. **Sebelum menggunakan kartrid baterai, bacalah semua petunjuk dan penandaan pada (1) pengisi daya baterai, (2) baterai, dan (3) produk yang menggunakan baterai.**
2. **Jangan membongkar atau memodifikasi kartrid baterai.** Tindakan tersebut dapat menimbulkan api, panas berlebih, atau ledakan.
3. **Jika waktu beroperasinya menjadi sangat singkat, segera hentikan penggunaan.** Hal tersebut dapat menimbulkan risiko panas berlebih, kemungkinan mengalami luka bakar atau bahkan terjadi ledakan.
11. **Ketika membuang kartrid baterai, lepaskan dari mesin dan buang ke tempat yang aman.** Patuhi peraturan setempat yang berkaitan dengan pembuangan baterai.
12. **Gunakan baterai hanya dengan produk yang ditentukan oleh Makita.** Memasang baterai pada produk yang tidak sesuai dapat menyebabkan kebakaran, kelebihan panas, ledakan, atau kebocoran elektrolit.
13. **Jika mesin tidak digunakan dalam jangka waktu yang lama, baterai harus dilepas dari mesin.**
14. **Selama dan setelah digunakan, kartrid baterai mungkin menyimpan panas yang dapat menyebabkan luka bakar atau luka bakar suhu rendah.** Perhatikan cara memegang kartrid baterai yang masih panas.

15. **Jangan langsung menyentuh terminal mesin setelah digunakan karena suhunya mungkin cukup panas untuk menyebabkan luka bakar.**
16. **Jangan biarkan serpihan, debu, atau tanah menempel di terminal, lubang, dan alur kartrid baterai.** Hal tersebut dapat mengakibatkan kinerja buruk atau kerusakan mesin maupun kartrid baterai.
17. **Kecuali jika mesin mendukung penggunaan di dekat saluran listrik bertegangan tinggi, jangan gunakan kartrid baterai di dekat saluran listrik bertegangan tinggi.** Hal tersebut dapat mengakibatkan kegagalan fungsi atau kerusakan mesin maupun kartrid baterai.
18. **Jauhkan baterai dari jangkauan anak-anak.**

SIMPAN PETUNJUK INI.

⚠️PERHATIAN: Gunakan baterai asli Makita. Penggunaan baterai Makita yang tidak asli, atau baterai yang sudah diubah, akan mengakibatkan baterai mudah terbakar, cedera dan kerusakan. Akan menghilangkan garansi Makita pada pengisi daya dan alat Makita.

Tip untuk menjaga agar umur pemakaian baterai maksimum

1. **Isi ulang kartrid baterai sebelum habis sama sekali. Selalu hentikan penggunaan mesin dan ganti kartrid baterai jika Anda melihat bahwa mesin kurang tenaga.**
2. **Jangan pernah mengisi ulang kartrid baterai yang sudah diisi penuh. Pengisian ulang yang berlebih memperpendek umur pemakaian baterai.**
3. **Isi ulang kartrid baterai pada suhu ruangan 10 °C - 40 °C. Biarkan kartrid baterai yang panas menjadi dingin terlebih dahulu sebelum diisi ulang.**
4. **Saat kartrid baterai tidak digunakan, lepaskan dari mesin atau pengisi daya.**
5. **Isi ulang daya kartrid baterai jika Anda tidak menggunakannya untuk jangka waktu yang lama (lebih dari enam bulan).**

DESKRIPSI FUNGSI

⚠️PERHATIAN: Selalu pastikan bahwa mesin dimatikan dan kartrid baterai dilepas sebelum menyatel atau memeriksa kerja mesin.

Memasang atau melepas baterai

⚠️PERHATIAN: Selalu matikan mesin sebelum memasang atau melepas kartrid baterai.

⚠️PERHATIAN: Pegang mesin dan kartrid baterai kuat-kuat saat memasang atau melepas kartrid baterai. Kelalaian untuk memegang mesin dan kartrid baterai kuat-kuat bisa menyebabkan keduanya tergelincir dari tangan Anda dan mengakibatkan kerusakan pada mesin dan kartrid baterai dan cedera diri.

- **Gbr.1:** 1. Indikator berwarna merah 2. Tombol 3. Kartrid baterai

Untuk melepas kartrid baterai, geser dari mesin sambil menggeser tombol pada bagian depan kartrid.

Untuk memasang kartrid baterai, sejajarkan lidah kartrid baterai dengan alur pada rumah dan masukkan ke dalam tempatnya. Masukkan seluruhnya sampai terkunci pada tempatnya dan terdengar bunyi klik kecil. Jika Anda bisa melihat indikator berwarna merah seperti yang ditunjukkan pada gambar, ini artinya kartrid baterai tidak terkunci sempurna.

⚠️PERHATIAN: Selalu pasang kartrid baterai sepenuhnya sampai indikator berwarna merah tidak terlihat. Jika tidak, bisa terlepas dari mesin secara tidak sengaja, menyebabkan luka pada Anda atau orang di sekitar Anda.

⚠️PERHATIAN: Jangan memasang kartrid baterai secara paksa. Jika kartrid tidak bergeser dengan mudah, berarti tidak dimasukkan dengan benar.

Sistem perlindungan mesin / baterai

Mesin ini dilengkapi dengan sistem perlindungan mesin/ baterai. Sistem ini memutuskan daya ke motor secara otomatis untuk memperpanjang umur pakai mesin dan baterai. Mesin akan berhenti secara otomatis saat dioperasikan jika mesin atau baterai mengalami salah satu dari kondisi-kondisi berikut ini:

Perlindungan kelebihan beban

Jika baterai digunakan dengan cara yang membuat baterai menarik arus tinggi berlebihan, mesin akan berhenti secara otomatis tanpa peringatan sebelumnya. Dalam situasi ini, matikan mesin dan hentikan pekerjaan yang menyebabkan mesin mengalami kelebihan beban. Kemudian, nyalakan mesin untuk kembali melanjutkan pekerjaan.

Perlindungan panas berlebih

Saat mesin/baterai terlalu panas, mesin akan berhenti secara otomatis. Dalam situasi ini, biarkan mesin/ baterai mendingin sebelum dinyalakan kembali.

Perlindungan pengisian daya berlebih

Ketika kapasitas baterai tidak cukup, mesin akan berhenti secara otomatis. Dalam kondisi ini, lepaskan baterai dari mesin dan isi ulang baterai.

Memeriksa kapasitas baterai yang tersisa (BL1460A)

► **Gbr.2:** 1. Lampu indikator 2. Tombol pemeriksaan

CATATAN: Tergantung kondisi penggunaan dan suhu lingkungannya, penunjukkan mungkin saja sedikit berbeda dari kapasitas sebenarnya.

Ketika mengisi ulang

Ketika mulai diisi ulang, lampu indikator pertama (ujung kiri) mulai berkedip. Kemudian, begitu pengisian ulang berlangsung, lampu-lampu lainnya menyala, secara bergantian, untuk menunjukkan kapasitas baterai.

CATATAN: Jika lampu indikator tidak menyala atau berkedip saat mengisi ulang, baterai mungkin bermasalah. Jika hal ini terjadi, tanyakan kepada pusat servis setempat.

Ketika menggunakan

Ketika mesin dinyalakan, lampu-lampu akan menyala untuk menunjukkan kapasitas baterai yang tersisa. Ketika mesin dimatikan, lampu akan padam setelah kira-kira 5 detik.

Saat mendorong tombol pemeriksaan dengan mesin dimatikan, lampu indikator menyala selama kira-kira 5 detik untuk menunjukkan kapasitas baterai. Jika lampu berwarna jingga berkedip, mesin akan berhenti karena sedikitnya kapasitas baterai yang tersisa. (Mekanisme berhenti otomatis). Isi daya kartrid baterai atau gunakan kartrid baterai yang sudah terisi. Saat mesin digunakan dengan baterai yang tidak digunakan dalam jangka waktu yang lama dan dinyalakan, bisa jadi tidak ada lampu yang menyala. Mesin akan ini berhenti karena sedikitnya kapasitas baterai yang tersisa saat ini. Isi ulang baterai secara tepat.

Kerja sakelar

► **Gbr.3:** 1. Picu sakelar

PERHATIAN: Sebelum memasukkan kartrid baterai pada mesin, pastikan picu sakelar berfungsi dengan baik dan kembali ke posisi "OFF" saat dilepas.

Untuk menjalankan mesin, cukup tarik picu saklarnya. Kecepatan mesin meningkat dengan menambah tekanan pada picu saklar. Lepaskan picu sakelar untuk berhenti.

CATATAN: Mesin akan berhenti secara otomatis jika Anda tetap menarik picu sakelar selama kira-kira 3 menit.

Menyalakan lampu depan

► **Gbr.4:** 1. Lampu

PERHATIAN: Jangan melihat lampu atau sumber cahaya secara langsung.

Tarik picu saklar untuk menyalakan lampu. Lampu tetap menyala selama picu saklar ditarik. Lampu akan padam kira-kira 10 detik setelah melepas picu saklar.

CATATAN: Gunakan kain kering untuk mengelap kotoran dari lensa lampu. Hati-hati jangan sampai menggores lensa lampu, atau hal tersebut dapat menurunkan tingkat penerangannya.

Kerja saklar pembalik arah

► **Gbr.5:** 1. Tuas saklar pembalik arah

PERHATIAN: Selalu periksa arah putaran sebelum penggunaan.

PERHATIAN: Gunakan saklar pembalik arah hanya setelah mesin benar-benar berhenti. Mengubah arah putaran sebelum mesin berhenti dapat merusak mesin.

PERHATIAN: Saat mesin tidak digunakan, selalu posisikan tuas saklar pembalik arah pada posisi netral.

Mesin ini memiliki saklar pembalik arah untuk mengubah arah putaran. Tekan tuas saklar pembalik arah dari sisi A untuk putaran searah jarum jam atau dari sisi B untuk putaran berlawanan arah jarum jam. Ketika tuas saklar pembalik arah pada posisi netral, picu saklar tidak bisa ditarik.

Mengubah pengaturan parameter di komputer

Anda dapat mengonfigurasi pengaturan terperinci mesin ini menggunakan perangkat lunak aplikasi "Makita Industry Tool Settings". Instal perangkat lunak aplikasi pada komputer dan hubungkan mesin ke komputer dengan kabel USB. Lihat petunjuk penggunaan "Makita Industry Tool Settings" untuk detail tentang konfigurasi.

► **Gbr.6:** 1. Portn USB 2. Tutup USB 3. Kabel USB

PEMBERITAHUAN: Pastikan tutup USB tertutup saat dikoneksikan.

CATATAN: Jika tuas sakelar pembalik arah ditekan dalam putaran searah jarum jam, indikator akan menunjukkan pengaturan putaran searah jarum jam.

Jika tuas sakelar pembalik arah ditekan dalam putaran berlawanan arah jarum jam, indikator akan menunjukkan pengaturan putaran berlawanan arah jarum jam.

CATATAN: Gunakan angka prasetel sebagai panduan. Untuk mempertahankan torsi pengencangan, jumlah hentakan berubah secara otomatis sesuai dengan kapasitas baterai yang tersisa.

CATATAN: Gunakan kabel USB asli Makita untuk menghubungkan komputer Anda ke mesin. Lihat bagian "SPESIFIKASI".

CATATAN: Untuk perangkat lunak aplikasi, silakan hubungi perwakilan penjualan Makita.

Mengubah pengaturan parameter pada mesin (mode Pengaturan Lapangan)

PEMBERITAHUAN: Fungsi ini tersedia secara default. Jika Anda telah menonaktifkan mode Pengaturan Lapangan di komputer, aktifkan fungsi ini terlebih dahulu. Lihat petunjuk penggunaan "Makita Industry Tool Settings" untuk mengetahui cara mengonfigurasinya.

PEMBERITAHUAN: Jika mode Pengaturan Lapangan dinonaktifkan, pembuatan pengaturan pada mesin tidak akan tersedia. Jika Anda menekan tombol pengaturan, nilai yang ditetapkan pada mesin akan ditampilkan secara berurutan.

Angka pengaturan saat ini akan ditampilkan pada indikator.

Setiap kali Anda menekan tombol pengaturan, indikator akan menunjukkan level torsi, level penurunan, rentang waktu yang dapat diterapkan, dan "Ad".

► **Gbr.7:** 1. Tombol pengaturan 2. Indikator

Anda dapat mengubah pengaturan parameter berikut pada mesin Anda:

- Pengaturan berhenti otomatis / Mode bebas

Item pengaturan	Tampilan pada indikator	Deskripsi
Level torsi	01 - 40 FF OP	Level torsi agar mode Pengencangan Berhenti Otomatis berfungsi
Level penurunan	L1 - L7 OP	Sensitivitas dudukan pengencang
Rentang waktu yang dapat diterapkan	Lo: 0.1 - 9.9 Hi: 0.1 - 9.9 --	Durasi perputaran terpendek/terpanjang ketika Anda terus menarik pelatuk sakelar.

PEMBERITAHUAN: Jika "OP" (mode Pengenduran Berhenti Otomatis) ditampilkan pada indikator, pengaturan level torsi dan pengaturan level penurunan tidak akan tersedia. Dalam kasus ini, ubah mode ke mode Pengencangan Berhenti Otomatis, lalu atur level torsi dan level penurunan pada komputer menggunakan "Makita Industry Tool Settings".

Mengubah level torsi

Ketika mengubah level torsi dari 23 menjadi 34

► **Gbr.8**

1. Tekan tombol pengaturan beberapa kali hingga indikator menunjukkan angka 2 digit yang menerangkan pengaturan level torsi saat ini.
2. Tekan dan tahan tombol pengaturan hingga angka di tempat puluhan mulai berkedip.
3. Atur angka di tempat puluhan dengan menekan sejenak tombol pengaturan. Setiap kali Anda menekan tombol pengaturan, indikator akan menunjukkan angka antara "0" hingga "4" dan "F" dalam satu siklus.
4. Tekan dan tahan tombol pengaturan hingga angka di tempat satuan mulai berkedip.
5. Atur angka di tempat satuan dengan menekan sejenak tombol pengaturan. Setiap kali Anda menekan tombol pengaturan, indikator akan menunjukkan angka antara "0" hingga "9" dan "F" dalam satu siklus.
6. Tekan dan tahan tombol pengaturan selama beberapa detik.

CATATAN: Jika Anda tidak yakin level torsi mana yang cocok untuk pekerjaan Anda, atur "FF" sehingga mesin beroperasi dalam mode Bebas.

CATATAN: Jika Anda memasukkan "00", "FF" akan ditampilkan, bukan "00".

Mengubah level penurunan

Ketika mengubah level penurunan dari L1 menjadi L2

► Gbr.9

1. Tekan tombol pengaturan beberapa kali hingga indikator menunjukkan 2 karakter yang diawali dengan "L" diikuti dengan angka. Kode ini menerangkan pengaturan level penurunan saat ini.
2. Tekan dan tahan tombol pengaturan hingga indikator mulai berkedip.
3. Atur level penurunan. Setiap kali Anda menekan tombol pengaturan, indikator akan menunjukkan antara "L1" hingga "L7" dalam satu siklus. Level penurunan terendah adalah "L1", dan "L7" adalah yang tertinggi.
4. Tekan dan tahan tombol pengaturan selama beberapa detik.

Mengubah rentang waktu terpendek yang dapat diterapkan

Ketika mengubah rentang waktu terpendek yang dapat diterapkan dari 2,5 menjadi 3,6

► Gbr.10

1. Tekan tombol pengaturan beberapa kali hingga indikator menunjukkan "Lo" dan angka sebagai alternatif. Kode ini menerangkan pengaturan rentang waktu terpendek yang dapat diterapkan saat ini.
2. Tekan dan tahan tombol pengaturan hingga angka di tempat satuan mulai berkedip.
3. Atur angka di tempat satuan dengan menekan sejenak tombol pengaturan. Setiap kali Anda menekan tombol pengaturan, indikator akan menunjukkan angka antara "0" hingga "9" dalam satu siklus.
4. Tekan dan tahan tombol pengaturan hingga angka di tempat desimal mulai berkedip.
5. Atur angka di tempat desimal dengan menekan sejenak tombol pengaturan. Setiap kali Anda menekan tombol pengaturan, indikator akan menunjukkan angka antara "0" hingga "9" dalam satu siklus.
6. Tekan dan tahan tombol pengaturan selama beberapa detik.

CATATAN: Jika Anda mengatur nilai yang lebih kecil dari "0,1" untuk rentang waktu terpendek yang dapat diterapkan, indikator akan menunjukkan "-,-" dan rentang waktu terpendek yang dapat diterapkan menjadi nonaktif. Untuk memasukkan "-,-", atur nilainya menjadi "0,9", lalu tekan tombol pengaturan ketika angka di tempat satuan berkedip.

Mengubah rentang waktu terpanjang yang dapat diterapkan

Ketika mengubah rentang waktu terpanjang yang dapat diterapkan dari 2,5 menjadi 3,6

► Gbr.11

1. Tekan tombol pengaturan beberapa kali hingga indikator menunjukkan "Hi" dan angka sebagai alternatif. Kode ini menerangkan pengaturan rentang waktu terpanjang yang dapat diterapkan saat ini.
2. Tekan dan tahan tombol pengaturan hingga angka di tempat satuan mulai berkedip.
3. Atur angka di tempat satuan dengan menekan sejenak tombol pengaturan. Setiap kali Anda menekan tombol pengaturan, indikator akan menunjukkan angka antara "0" hingga "9" dalam satu siklus.
4. Tekan dan tahan tombol pengaturan hingga angka di tempat desimal mulai berkedip.
5. Atur angka di tempat desimal dengan menekan sejenak tombol pengaturan. Setiap kali Anda menekan tombol pengaturan, indikator akan menunjukkan angka antara "0" hingga "9" dalam satu siklus.
6. Tekan dan tahan tombol pengaturan selama beberapa detik.

CATATAN: Jika Anda mengatur nilai yang lebih besar dari "9,9" untuk rentang waktu terpanjang yang dapat diterapkan, indikator akan menunjukkan "-,-" dan rentang waktu terpanjang yang dapat diterapkan menjadi nonaktif. Untuk memasukkan "-,-", atur nilainya menjadi "9,9", lalu tekan tombol pengaturan ketika angka di tempat satuan berkedip.

Mengukur pengoperasian aktual (Diagnosis Mandiri)

PEMBERITAHUAN: Fungsi ini tersedia secara default. Jika Anda telah menonaktifkan mode Pengaturan Lapangan di komputer, aktifkan fungsi ini terlebih dahulu. Lihat petunjuk penggunaan "Makita Industry Tool Settings" untuk mengetahui cara mengonfigurasinya.

Anda dapat mengukur level torsi dan waktu pengoperasian dari pengoperasian aktual dengan mengoperasikan mesin. Level torsi dan waktu yang diukur dapat digunakan untuk;

- Mereproduksi teknik kontrol torsi pekerja yang terampil dan;
- Referensi waktu untuk pengaturan rentang waktu terpendek/terpanjang yang dapat diterapkan.

Mengukur level torsi dan waktu pengoperasian

1. Tekan tombol pengaturan beberapa kali hingga "Ad" ditampilkan pada indikator.
2. Tekan dan tahan tombol pengaturan hingga indikator menunjukkan "Ch".
3. Lakukan pengoperasian yang Anda ingin ukur waktu pengoperasiannya.
 - Jika Anda telah mengonfigurasi level torsi, operasikan mesin hingga berhenti dalam mode Pengencangan Berhenti Otomatis.
 - Jika Anda belum mengonfigurasi level torsi (Mode bebas), operasikan mesin sebagaimana yang diperlukan.
4. Periksa hasil yang diukur. Tekan tombol pengaturan sekali untuk menampilkan level torsi aktual, dan tekan sekali lagi untuk menampilkan waktu pengoperasian aktual. Setiap kali Anda menekan tombol pengaturan, indikator akan menunjukkan "Ch", angka level torsi aktual, dan angka waktu operasi aktual dalam satu siklus.
5. Tekan dan tahan tombol pengaturan untuk keluar dari Diagnosis Mandiri.

CATATAN: Mode Pengencangan Berhenti Otomatis akan berfungsi meskipun dalam Diagnosis Mandiri. Jika Anda ingin mengukur level torsi tanpa batasan, atur level torsi "FF" (mode Bebas) dan lakukan prosedur di atas.

CATATAN: Jika "- ." ditampilkan pada indikator, hentaman tidak berfungsi atau level torsi lebih tinggi dari 40. Jika "-.-" ditampilkan dalam indikator, waktu pengoperasian melebihi 9,9 detik.

- Apabila hentaman tidak berfungsi: Lakukan pengukuran ulang level torsi dengan waktu lebih lama yang dapat diterapkan.
- Apabila level torsi lebih tinggi dari 40: Mesin tidak dapat mengukur level torsi. Gunakan mesin dengan rentang torsi yang lebih tinggi jika tersedia.
- Apabila waktu pengoperasian melebihi 9,9 detik, rentang waktu yang dapat diterapkan tidak tersedia.

Contoh pengukuran:

Jika Anda mengonfigurasi pengaturan berikut, Anda dapat membaca status mesin.

Kasus 1

Item pengaturan	Pengaturan mesin	Hasil yang diukur	Diagnosis
Level torsi	23	20	Mesin telah berhenti dengan pengaturan rentang waktu terpanjang yang dapat diterapkan (3,5 detik) sebelum mencapai pengaturan mode Pengencangan Berhenti Otomatis (level torsi 23).
Rentang waktu yang dapat diterapkan	terpendek: 2,5 dtk. terpanjang: 3,5 dtk.	3,5	

Kasus 2

Item pengaturan	Pengaturan mesin	Hasil yang diukur	Diagnosis
Level torsi	23	23	Mesin telah dihentikan dengan mode Pengencangan Berhenti Otomatis (level torsi 23) sebelum mencapai pengaturan rentang waktu terpanjang yang dapat diterapkan (3,5 detik).
Rentang waktu yang dapat diterapkan	terpendek: 2,5 dtk. terpanjang: 3,5 dtk.	3	

Indikator LED / alarm

► Gbr.12: 1. Indikator LED

Indikator LED / alarm pada mesin menunjukkan fungsi berikut ini.

No. alarm	Fungsi	Status mesin	Status indikator LED/alarm		Langkah-langkah yang diambil
			Indikator LED	Alarm	
E0	Kesalahan pemasangan baterai	Jika kartrid baterai dipasang dengan pelatuk sakelar ditarik, mesin akan berhenti untuk menghindari penyalaan yang tidak disengaja.	Berkedip warna merah dan hijau secara bergantian.	Serangkaian bunyi alarm panjang	Pasang kartrid baterai dengan posisi pelatuk sakelar yang dilepas.
E1	Berhenti Otomatis	Daya baterai melemah dan ini saatnya untuk mengganti kartrid baterai.	Berkedip warna merah dan hijau secara bergantian.	Serangkaian bunyi alarm panjang	Ganti baterai dengan yang telah diisi penuh.
E2	Pengendali anti-reset	Tegangan baterai turun secara tidak normal karena beberapa alasan, dan mesin berhenti.	Berkedip warna merah dan hijau secara bergantian.	Serangkaian bunyi alarm panjang	Ganti baterai dengan yang telah diisi penuh.
E3	Berhenti otomatis dengan kapasitas baterai tersisa yang rendah	Daya baterai hampir kosong dan mesin berhenti.	Menyala warna merah.	Bunyi alarm panjang	Ganti baterai dengan yang telah diisi penuh.
E4	Perlindungan kelebihan beban	Mesin kelebihan beban dan berhenti.	Berkedip warna merah dan hijau secara bergantian.	Serangkaian bunyi alarm panjang	Singkirkan penyebab kelebihan beban, lalu nyalakan kembali mesin. Mintalah kepada Pusat Layanan Makita terdekat untuk memperbaikinya.
E5	Perlindungan terhadap panas berlebih	Pengendali mesin menjadi panas secara tidak normal dan mesin berhenti.	Berkedip warna merah dengan cepat.	Serangkaian bunyi alarm panjang	Lepas kartrid baterai dengan segera dan biarkan mesin menjadi dingin.
E6	Penguncian motor	Motor telah terkunci. Pada kondisi ini, mesin tidak akan bekerja.	Berkedip warna merah dan hijau secara bergantian.	Serangkaian bunyi alarm panjang	Lepaskan pelatuk sakelar, lalu tarik kembali.
E7	Kerusakan motor	Mesin mendeteksi kerusakan motor. Pada kondisi ini, mesin tidak akan bekerja.	Berkedip warna merah dan hijau secara bergantian.	Serangkaian bunyi alarm panjang	Mintalah kepada Pusat Layanan Makita terdekat untuk memperbaikinya.
E8	Kerusakan sakelar	Mesin mendeteksi kerusakan sakelar.	Berkedip warna merah dan hijau secara bergantian.	Serangkaian bunyi alarm panjang	Mintalah kepada Pusat Layanan Makita terdekat untuk memperbaikinya.
E9	Alarm untuk penggunaan yang lama	Mesin telah dinyalakan untuk waktu yang lama (Kira-kira 3 menit).	Berkedip warna merah dan hijau secara bergantian.	Bunyi alarm panjang	Lepaskan pelatuk sakelar, lalu tarik kembali.
-	Berhenti otomatis dengan penyelesaian pengencangan	Torsi pengencangan yang telah disetel telah dicapai dan mesin berhenti.	Menyala warna hijau selama kira-kira satu detik.	-	-

No. alarm	Fungsi	Status mesin	Status indikator LED/alarm		Langkah-langkah yang diambil
			Indikator LED	Alarm	
-	Alarm untuk pengencangan yang tidak memadai	Torsi pengencangan prasetel belum diatur karena pelatuk sakelar dilepaskan sebelum menyelesaikan pengencangan.	Menyala warna hijau selama kira-kira satu detik.	Bunyi alarm panjang	Kencangkan kembali pengencang.
-	Alarm untuk batas kapasitas pengencangan	–	Berkedip warna merah dengan cepat.	Serangkaian bunyi alarm panjang	Ganti baterai dengan yang telah diisi penuh.
-	Alarm perawatan	Jumlah penggunaan telah tercapai ke angka prasetel Anda untuk perawatan.	Berkedip warna kuning.	–	Atur ulang alarm dengan perangkat lunak aplikasi.
-	Alarm untuk tidak adanya komunikasi dengan PC	Tidak ada komunikasi data saat mesin terhubung ke PC.	Berkedip warna kuning.	–	Mulai lagi perangkat lunak aplikasi dan hubungkan kembali kabel USB.
-	Indikasi bahwa mesin tersebut dapat berkomunikasi dengan PC	Mesin terhubung ke PC dan dapat berkomunikasi dengannya.	Berkedip warna hijau.	–	–
-	Periksa lampu dan alarm (ketika kartrid baterai terpasang)	Mesin melakukan tes pengoperasian untuk indikator LED (hijau/merah), lampu, dan alarm.	Indikator LED menyala hijau, lalu merah. Setelah itu, lampu menyala sebentar.	Serangkaian bunyi alarm sangat pendek	–

PERAKITAN

⚠️ PERHATIAN: Selalu pastikan bahwa mesin dimatikan dan kartrid baterai dilepas sebelum melakukan pekerjaan apa pun pada mesin.

Memilih soket hentam yang tepat

Selalu gunakan ukuran soket hentam yang tepat untuk baut dan mur. Ukuran soket hentam yang tidak tepat akan mengakibatkan torsi pengencangan yang tidak akurat dan konsisten dan/atau merusak baut atau mur.

Memasang atau melepas soket hentam

Pilihan Aksesori

⚠️ PERHATIAN: Pastikan soket hentam dan bagian dudukan tidak rusak sebelum memasang soket hentam.

⚠️ PERHATIAN: Setelah memasukkan soket hentam, pastikan terpasang dengan kuat. Jika menonjol keluar, jangan digunakan.

CATATAN: Cara pemasangan soket hentam bervariasi tergantung pada jenis kepala persegi di mesin.

Mesin dengan pegas cincin

Untuk soket hentam tanpa cincin-O dan pasak

- **Gbr.13:** 1. Soket hentam 2. Kepala persegi 3. Pegas cincin

Dorong soket hentam pada kepala persegi sampai terkunci di tempatnya.

Untuk melepas soket hentam, cukup tarik soket.

Untuk soket hentam dengan cincin-O dan pasak

- **Gbr.14:** 1. Soket hentam 2. Cincin-O 3. Pasak

Lepaskan cincin-O dari alur pada soket hentam dan lepas pasak dari soket hentam. Pasang soket hentam pada kepala persegi sehingga lubang pada soket hentam sejajar dengan lubang pada kepala persegi. Masukkan pasak melalui lubang pada soket hentam dan kepala persegi. Lalu kembalikan cincin-O ke posisi semula dan alur soket hentam untuk menahan pasak.

Untuk melepas soket hentam, ikuti urutan terbalik dari prosedur pemasangan.

Mesin dengan pasak penahan

- **Gbr.15:** 1. Soket hentam 2. Lubang 3. Kepala persegi 4. Pasak penahan

Sejajarkan lubang di sisi soket hentam dengan pasak penahan di kepala persegi dan dorong soket hentam pada kepala persegi sampai terkunci di tempatnya. Ketuk sedikit bila perlu.

Untuk melepas soket hentam, cukup tarik soket. Jika sulit melepaskan soket hentam, tekan pasak penahan sambil menarik soket hentam.

Memasang kait

Pilihan Aksesori

Kait ini dapat digunakan untuk menggantung mesin. Pasang kait pada lubang di badan mesin.

- **Gbr.16:** 1. Kait 2. Lubang

PENGGUNAAN

⚠PERHATIAN: Selalu masukkan baterai seluruhnya sampai terkunci pada tempatnya. Jika Anda bisa melihat indikator berwarna merah pada sisi atas tombol, berarti tidak terkunci sepenuhnya. Masukkan sepenuhnya sampai indikator berwarna merah tidak terlihat. Jika tidak, baterai bisa terlepas dari mesin secara tidak sengaja, menyebabkan luka pada Anda atau orang di sekitar Anda.

⚠PERHATIAN: Pegang mesin kuat-kuat dan posisikan soket hentam pada baut atau mur. Nyalakan mesin dan kencangkan selama waktu pengencangan yang sesuai.

⚠PERHATIAN: Jika mesin terus-menerus digunakan sampai kartrid baterai habis, istirahatkan mesin selama 15 menit sebelum melanjutkan menggunakan kartrid baterai yang penuh.

⚠PERHATIAN: Menekan mesin secara berlebihan tidak akan mempercepat pengeboran. Bahkan, tekanan yang berlebihan hanya akan merusak mata bor Anda, mengurangi kinerja mesin dan memperpendek usia pakai mesin.

⚠PERHATIAN: Selalu kencangkan benda kerja menggunakan ragum atau perangkat penahan yang serupa.

- **Gbr.17**

Torsi pengencangan yang tepat bisa berbeda tergantung pada macam atau ukuran baut, bahan benda kerja yang akan dikencangkan, dsb.

PEMBERITAHUAN: Ketika mengencangkan baut kecil, sesuaikan tekanan pada pelatuk sakelar dengan saksama sehingga tidak merusak sekrup.

PEMBERITAHUAN: Tahan mesin pada posisi tegak lurus terhadap baut atau mur.

PEMBERITAHUAN: Torsi pengencangan yang berlebihan dapat merusak baut/mur atau soket hentam. Sebelum melakukan pekerjaan Anda, selalu lakukan uji-coba untuk menentukan waktu pengencangan yang sesuai bagi baut atau mur Anda.

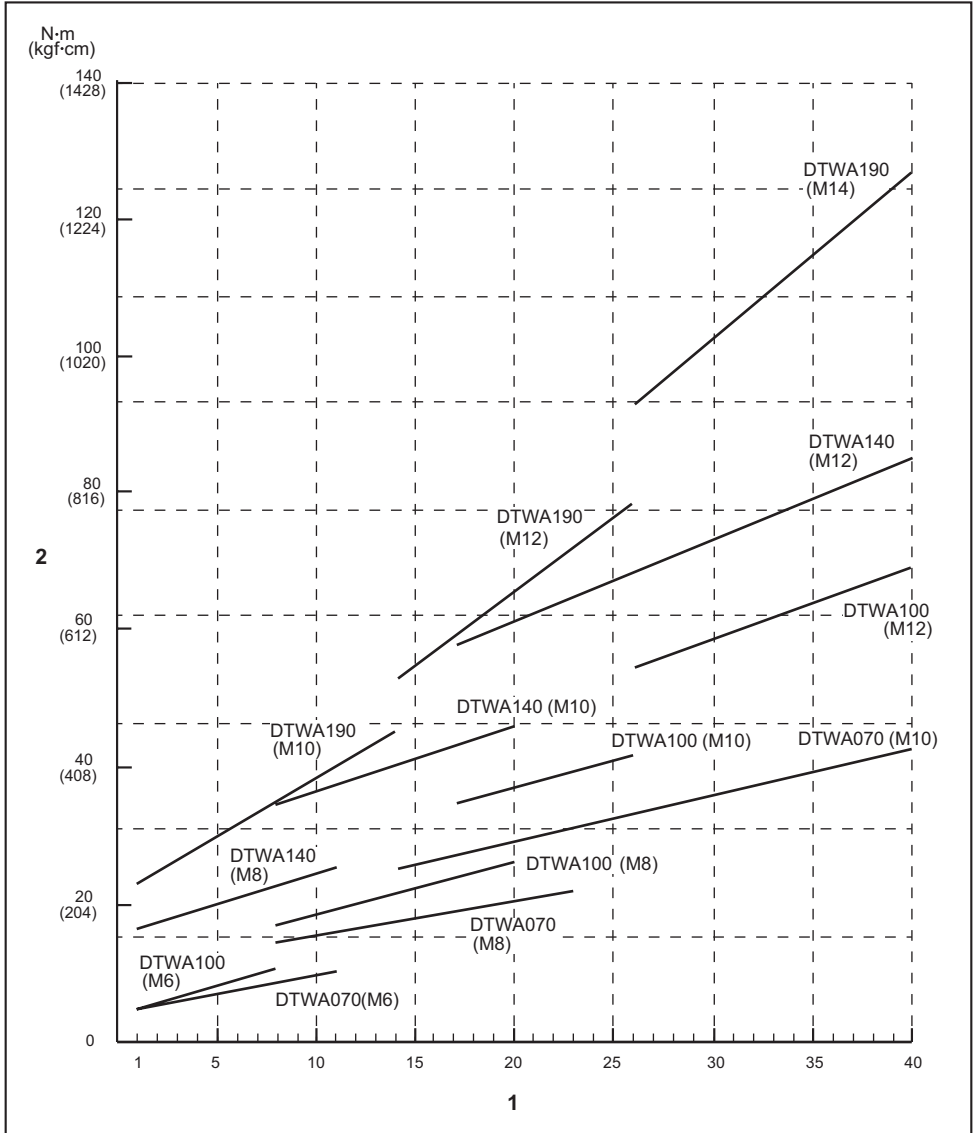
Torsi pengencangan dipengaruhi oleh berbagai macam faktor termasuk hal-hal berikut ini. Setelah pengencangan, selalu periksa torsi dengan kunci torsi.

1. Ketika kartrid baterai hampir benar-benar habis, tegangan akan turun dan torsi pengencangan akan berkurang.
2. Soket hentam
 - Kesalahan penggunaan soket hentam dengan ukuran yang tepat akan menyebabkan penurunan torsi pengencangan.
 - Soket hentam yang aus (aus pada ujung segi-enam atau ujung persegi) akan menyebabkan penurunan torsi pengencangan.
3. Baut
 - Walaupun koefisien torsi dan kelas bautnya sama, torsi pengencangan yang tepat akan berbeda sesuai dengan diameter baut.
 - Walaupun diameter bautnya sama, torsi pengencangan yang tepat akan berbeda sesuai dengan koefisien torsi, kelas baut dan panjang baut.
4. Penggunaan sambungan universal atau batang sambungan agak sedikit menurunkan torsi pengencangan kunci hentam. Imbangi dengan pengencangan dalam jangka waktu yang lebih lama.
5. Sikap ketika memegang mesin atau posisi bahan yang akan dipasang sekrup akan mempengaruhi torsi.
6. Menggunakan mesin pada kecepatan rendah akan menyebabkan penurunan torsi pengencangan.

Torsi pengencangan dan level torsi

CATATAN: Nilai referensi ini diukur dengan kondisi pengukuran yang ditentukan oleh Makita.

CATATAN: Nilai sebenarnya dapat berbeda tergantung kondisi pengencang, bahan, dan metode pengencangan. Lakukan pengujian sebelum melakukan pekerjaan yang sebenarnya.



1. Level torsi 2. Torsi pengencangan

PERAWATAN

⚠️ PERHATIAN: Selalu pastikan bahwa mesin dimatikan dan kartrid baterai dilepas sebelum melakukan pemeriksaan atau perawatan.

PEMBERITAHUAN: Jangan sekali-kali menggunakan bensin, tiner, alkohol, atau bahan sejenisnya. Penggunaan bahan demikian dapat menyebabkan perubahan warna, perubahan bentuk atau timbulnya retakan.

Untuk menjaga KEAMANAN dan KEANDALAN mesin, perbaikan, perawatan atau penyetelan lainnya harus dilakukan oleh Pusat Layanan Resmi atau Pabrik Makita; selalu gunakan suku cadang pengganti buatan Makita.

AKSESORI PILIHAN

⚠️ PERHATIAN: Dianjurkan untuk menggunakan aksesori atau perangkat tambahan ini dengan mesin Makita Anda yang ditentukan dalam petunjuk ini. Penggunaan aksesori atau perangkat tambahan lain bisa menyebabkan risiko cedera pada manusia. Hanya gunakan aksesori atau perangkat tambahan sesuai dengan peruntukannya.

Jika Anda memerlukan bantuan lebih rinci berkenaan dengan aksesori ini, tanyakan pada Pusat Layanan Makita terdekat.

- Kait
- Pelindung (Biru, Merah, Kuning, Hijau, Bening)
- Pelindung Baterai untuk BL1460A
- Pelindung Baterai untuk BL1415NA
- Baterai dan pengisi daya asli Makita
- Kabel USB

CATATAN: Beberapa item dalam daftar tersebut mungkin sudah termasuk dalam paket mesin sebagai aksesori standar. Hal tersebut dapat berbeda dari satu negara ke negara lainnya.

THÔNG SỐ KỸ THUẬT

Kiểu máy:	DTWA070	DTWA100	DTWA140	DTWA190
Khả năng vận xiết	Bu-lông thường	M5 - M12	M6 - M16	M8 - M16
	Bu-lông cường độ cao	M5 - M10	M6 - M12	M8 - M14
Mô-men xoay tối đa	65 N•m	95 N•m	140 N•m	185 N•m
Phạm vi lực xoắn	Khoảng 5 - 40 N•m	Khoảng 6 - 65 N•m	Khoảng 18 - 80 N•m	Khoảng 25 - 125 N•m
Đầu quay vuông	9,5 mm		12,7 mm	
Tốc độ không tải (RPM)	0 - 2.500 min ⁻¹		0 - 2.700 min ⁻¹	
Số lần vận mỗi phút	0 - 3.700 min ⁻¹		0 - 3.300 min ⁻¹	
Chiều dài tổng thể	144 mm	151 mm	158 mm	
Điện áp định mức	D.C. 14,4 V			
Khối lượng tịnh	1,1 - 1,4 kg	1,2 - 1,4 kg	1,2 - 1,5 kg	1,3 - 1,6 kg
Cáp USB khả dụng	661432-2			

- Do chương trình nghiên cứu và phát triển liên tục của chúng tôi nên các thông số kỹ thuật trong đây có thể thay đổi mà không cần thông báo trước.
- Các thông số kỹ thuật có thể thay đổi tùy theo từng quốc gia.
- Khối lượng có thể khác nhau tùy thuộc vào (các) phụ kiện, bao gồm cả hộp pin. Tổ hợp nhẹ nhất và nặng nhất, theo Quy trình EPTA 01/2014, được trình bày trong bảng.

Hộp pin và sạc pin có thể áp dụng

Hộp pin	BL1415N / BL1415NA / BL1430B / BL1440 / BL1460A / BL1460B
Bộ sạc	DC18RC / DC18RD / DC18RE / DC18SD / DC18SE / DC18SF / DC18SH

- Một số hộp pin và sạc pin được nêu trong danh sách ở trên có thể không khả dụng tùy thuộc vào khu vực cư trú của bạn.

⚠ CẢNH BÁO: Chỉ sử dụng hộp pin và sạc pin được nêu trong danh sách ở trên. Việc sử dụng bất cứ hộp pin và sạc pin nào khác có thể gây ra thương tích và/hoặc hỏa hoạn.

Ký hiệu

Phần dưới đây cho biết các ký hiệu có thể được dùng cho thiết bị. Đảm bảo rằng bạn hiểu rõ ý nghĩa của các ký hiệu này trước khi sử dụng.



Đọc tài liệu hướng dẫn.



Ni-MH
Li-ion

Chỉ dành cho các quốc gia EU
Do có các thành phần nguy hiểm bên trong thiết bị điện và điện tử, ắc quy và pin thải bỏ nên có thể có tác động không tốt đến môi trường và sức khỏe con người.
Không vứt bỏ các thiết bị điện và điện tử hoặc pin với rác thải sinh hoạt!
Theo Chỉ thị của Châu Âu về thiết bị điện và điện tử thải bỏ và về pin và ắc quy và pin và ắc quy thải bỏ, cũng như sự thích ứng của chúng với luật pháp quốc gia, các thiết bị điện, pin và ắc quy thải phải được cất giữ riêng biệt và chuyển đến một điểm thu gom rác thải đô thị riêng, hoạt động theo các quy định về bảo vệ môi trường. Điều này được biểu thị bằng biểu tượng thùng rác có bánh xe gạch chéo được đặt trên thiết bị.

Mục đích sử dụng

Dụng cụ này được dùng để gắn bu-lông và đai ốc.

CẢNH BÁO AN TOÀN

Cảnh báo an toàn chung dành cho dụng cụ máy

⚠ CẢNH BÁO: Xin đọc tất cả cảnh báo an toàn, hướng dẫn, minh họa và thông số kỹ thuật đi kèm với dụng cụ máy này. Việc không tuân theo các hướng dẫn được liệt kê dưới đây có thể dẫn đến điện giật, hỏa hoạn và/hoặc thương tích nghiêm trọng.

Lưu giữ tất cả cảnh báo và hướng dẫn để tham khảo sau này.

Thuật ngữ “dụng cụ máy” trong các cảnh báo đề cập đến dụng cụ máy (có dây) được vận hành bằng nguồn điện chính hoặc dụng cụ máy (không dây) được vận hành bằng pin của bạn.

An toàn tại nơi làm việc

1. **Giữ nơi làm việc sạch sẽ và có đủ ánh sáng.** Nơi làm việc bừa bộn hoặc tối thường dễ gây ra tai nạn.
2. **Không vận hành dụng cụ máy trong môi trường cháy nổ, ví dụ như môi trường có sự hiện diện của các chất lỏng, khí hoặc bụi dễ cháy.** Các dụng cụ máy tạo tia lửa điện có thể làm bụi hoặc khí bốc cháy.
3. **Giữ trẻ em và người ngoài tránh xa nơi làm việc khi đang vận hành dụng cụ máy.** Sự xao lãng có thể khiến bạn mất khả năng kiểm soát.

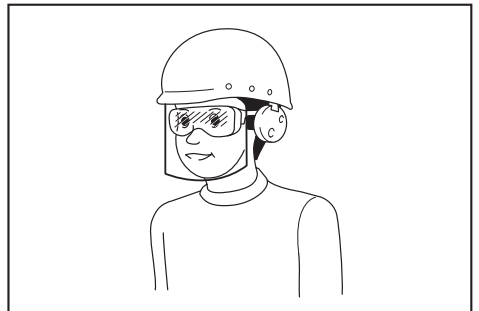
An toàn về Điện

1. **Phích cắm của dụng cụ máy phải khớp với ổ cắm. Không được sửa đổi phích cắm theo bất kỳ cách nào. Không sử dụng bất kỳ phích chuyển đổi nào với các dụng cụ máy được nối đất (tiếp đất).** Các phích cắm còn nguyên vẹn và ổ cắm phù hợp sẽ giảm nguy cơ điện giật.
2. **Tránh để cơ thể tiếp xúc với các bề mặt nổi đất hoặc tiếp đất như đường ống, bộ tản nhiệt, bếp ga và tủ lạnh.** Nguy cơ bị điện giật sẽ tăng lên nếu cơ thể bạn được nối đất hoặc tiếp đất.
3. **Không để dụng cụ máy tiếp xúc với mưa hoặc trong điều kiện ẩm ướt.** Nước lọt vào dụng cụ máy sẽ làm tăng nguy cơ điện giật.
4. **Không lạm dụng dây điện. Không được phép sử dụng dây để mang, kéo hoặc tháo phích cắm dụng cụ máy. Giữ dây tránh xa nguồn nhiệt, dầu, các mép sắc hoặc các bộ phận chuyển động.** Dây bị hỏng hoặc bị rối sẽ làm tăng nguy cơ điện giật.
5. **Khi vận hành dụng cụ máy ngoài trời, hãy sử dụng dây kéo dài phù hợp cho việc sử dụng ngoài trời.** Việc dùng dây phù hợp cho việc sử dụng ngoài trời sẽ giảm nguy cơ điện giật.
6. **Nếu bắt buộc phải vận hành dụng cụ máy ở nơi ẩm ướt, hãy sử dụng nguồn cấp điện được bảo vệ bằng thiết bị ngắt dòng điện rò (RCD).** Việc sử dụng RCD sẽ làm giảm nguy cơ điện giật.
7. **Các dụng cụ máy có thể tạo ra từ trường điện (EMF) có hại cho người dùng.** Tuy nhiên, người dùng máy trợ tim và những thiết bị y tế tương tự khác nên liên hệ với nhà sản xuất thiết bị và/hoặc bác sĩ để được tư vấn trước khi vận hành dụng cụ máy.

An toàn Cá nhân

1. **Luôn tỉnh táo, quan sát những việc bạn đang làm và sử dụng những phán đoán theo kinh nghiệm khi vận hành dụng cụ máy. Không sử dụng dụng cụ máy khi bạn đang mệt mỏi hoặc chịu ảnh hưởng của ma túy, rượu hay thuốc.** Chỉ một khoảnh khắc không tập trung khi đang vận hành dụng cụ máy cũng có thể dẫn đến thương tích cá nhân nghiêm trọng.

2. **Sử dụng thiết bị bảo hộ cá nhân. Luôn đeo thiết bị bảo vệ mắt.** Các thiết bị bảo hộ như mặt nạ chống bụi, giày an toàn chống trượt, mũ bảo hộ hay thiết bị bảo vệ thính giác được sử dụng trong các điều kiện thích hợp sẽ giúp giảm thương tích cá nhân.
3. **Tránh vô tình khởi động dụng cụ máy. Đảm bảo công tắc ở vị trí off (tắt) trước khi nối nguồn điện và/hoặc bộ pin, cầm hoặc di chuyển dụng cụ máy.** Việc di chuyển dụng cụ máy khi đang đặt ngón tay ở vị trí công tắc hoặc cấp điện cho dụng cụ máy đang bật thường dễ gây ra tai nạn.
4. **Tháo tất cả các khóa hoặc cờ lê điều chỉnh trước khi bật dụng cụ máy.** Việc cờ lê hoặc khóa vẫn còn gắn vào bộ phận quay của dụng cụ máy có thể dẫn đến thương tích cá nhân.
5. **Không vơi quá cao. Luôn giữ thăng bằng tốt và có chỗ để chân phù hợp.** Điều này cho phép điều khiển dụng cụ máy tốt hơn trong những tình huống bất ngờ.
6. **Ăn mặc phù hợp. Không mặc quần áo rộng hay đeo đồ trang sức. Giữ tóc và quần áo tránh xa các bộ phận chuyển động.** Quần áo rộng, đồ trang sức hay tóc dài có thể mắc vào các bộ phận chuyển động.
7. **Nếu các thiết bị được cung cấp để kết nối các thiết bị thu gom và hút bụi, hãy đảm bảo chúng được kết nối và sử dụng hợp lý.** Việc sử dụng thiết bị thu gom bụi có thể làm giảm những mối nguy hiểm liên quan đến bụi.
8. **Không vì quen thuộc do thường xuyên sử dụng các dụng cụ mà cho phép bạn trở nên tự mãn và bỏ qua các nguyên tắc an toàn dụng cụ.** Một hành động bất cẩn có thể gây ra thương tích nghiêm trọng trong một phần của một giây.
9. **Luôn luôn mang kính bảo hộ để bảo vệ mắt khỏi bị thương khi đang sử dụng các dụng cụ máy. Kính bảo hộ phải tuân thủ ANSI Z87.1 ở Mỹ, EN 166 ở Châu Âu, hoặc AS/NZS 1336 ở Úc/New Zealand. Tại Úc/New Zealand, theo luật pháp, bạn cũng phải mang mặt nạ che mặt để bảo vệ mắt.**



Trách nhiệm của chủ lao động là bắt buộc người vận hành dụng cụ và những người khác trong khu vực làm việc cạnh đó phải sử dụng các thiết bị bảo hộ an toàn thích hợp.

Sử dụng và bảo quản dụng cụ máy

1. **Không dùng lực đối với dụng cụ máy. Sử dụng đúng dụng cụ máy cho công việc của bạn.** Sử dụng đúng dụng cụ máy sẽ giúp thực hiện công việc tốt hơn và an toàn hơn theo giá trị định mức được thiết kế của dụng cụ máy đó.
2. **Không sử dụng dụng cụ máy nếu công tắc không bật và tắt được dụng cụ máy đó.** Mọi dụng cụ máy không thể điều khiển được bằng công tắc đều rất nguy hiểm và phải được sửa chữa.
3. **Rút phích cắm ra khỏi nguồn điện và/hoặc tháo kết nối bộ pin khỏi dụng cụ máy, nếu có thể tháo rời trước khi thực hiện bất kỳ công việc điều chỉnh, thay đổi phụ tùng hay cất giữ dụng cụ máy nào.** Những biện pháp an toàn phòng ngừa này sẽ giảm nguy cơ vô tình khởi động dụng cụ máy.
4. **Cất giữ các dụng cụ máy không sử dụng ngoài tầm với của trẻ em và không cho bất kỳ người nào không có hiểu biết về dụng cụ máy hoặc các hướng dẫn này vận hành dụng cụ máy.** Dụng cụ máy sẽ rất nguy hiểm nếu được sử dụng bởi những người dùng chưa qua đào tạo.
5. **Bảo dưỡng dụng cụ máy và các phụ kiện. Kiểm tra tình trạng lệch trục hoặc bó kẹt của các bộ phận chuyển động, hiện tượng nứt vỡ của các bộ phận và mọi tình trạng khác mà có thể ảnh hưởng đến hoạt động của dụng cụ máy. Nếu có hỏng hóc, hãy sửa chữa dụng cụ máy trước khi sử dụng.** Nhiều tai nạn xảy ra là do không bảo quản tốt dụng cụ máy.
6. **Luôn giữ cho dụng cụ cất được sắc bén và sạch sẽ.** Những dụng cụ cất được bảo quản tốt có mép cắt sắc sẽ ít bị kẹt hơn và dễ điều khiển hơn.
7. **Sử dụng dụng cụ máy, phụ tùng và đầu dụng cụ cắt, v.v... theo các hướng dẫn này, có tính đến điều kiện làm việc và công việc được thực hiện.** Việc sử dụng dụng cụ máy cho các công việc khác với công việc dự định có thể gây nguy hiểm.
8. **Giữ tay cầm và bề mặt tay cầm khô, sạch, không dính dầu và mỡ.** Tay cầm trơn trượt và bề mặt tay cầm không cho phép xử lý an toàn và kiểm soát dụng cụ trong các tình huống bất ngờ.
9. **Khi sử dụng dụng cụ, không được đi giày tay lao động bằng vải vương vào các bộ phận chuyển động có thể gây ra thương tích cá nhân.**

Sử dụng và bảo quản dụng cụ dùng pin

1. **Chỉ sạc pin lại với bộ sạc do nhà sản xuất quy định.** Bộ sạc phù hợp với một loại bộ pin này có thể gây ra nguy cơ hỏa hoạn khi được dùng cho một bộ pin khác.
2. **Chỉ sử dụng các dụng cụ máy với các bộ pin được quy định cụ thể.** Việc sử dụng bất cứ bộ pin nào khác có thể gây ra thương tích và hỏa hoạn.
3. **Khi không sử dụng bộ pin, hãy giữ tránh xa các đồ vật khác bằng kim loại, chẳng hạn như kẹp giấy, tiền xu, chìa khóa, đinh, ốc vít hoặc các vật nhỏ bằng kim loại mà có thể làm nối tắt các đầu cực pin.** Các đầu cực pin bị đoản mạch có thể gây cháy hoặc hỏa hoạn.

4. **Trong điều kiện sử dụng quá mức, pin có thể bị chảy nước; hãy tránh tiếp xúc. Nếu vô tình tiếp xúc với pin bị chảy nước, hãy rửa sạch bằng nước. Nếu dung dịch từ pin tiếp xúc với mắt, cần đi khám bác sĩ thêm.** Dung dịch chảy ra từ pin có thể gây rát da hoặc bỏng.
5. **Không sử dụng bộ pin hoặc dụng cụ bị hư hỏng hoặc đã bị sửa đổi.** Pin đã bị hư hỏng hoặc đã bị sửa đổi có thể hành động theo cách không thể đoán trước dẫn đến cháy, nổ hoặc nguy cơ chấn thương.
6. **Không để bộ pin hoặc dụng cụ tiếp xúc với lửa hoặc nhiệt độ quá cao.** Tiếp xúc với lửa hoặc nhiệt độ trên 130 °C có thể gây ra cháy nổ.
7. **Làm theo tất cả các hướng dẫn sạc pin và không được sạc bộ pin hoặc dụng cụ vượt giới hạn nhiệt độ quy định trong hướng dẫn.** Sạc pin không đúng hoặc ở nhiệt độ vượt giới hạn nhiệt độ có thể gây hư hỏng cho pin và làm tăng nguy cơ cháy.

Bảo dưỡng

1. **Đề nghị viên sửa chữa đủ trình độ bảo dưỡng dụng cụ máy của bạn và chỉ sử dụng các bộ phận thay thế đồng nhất.** Việc này sẽ đảm bảo duy trì được độ an toàn của dụng cụ máy.
2. **Không bao giờ sử dụng bộ pin đã hỏng.** Dịch vụ bảo hành bộ pin chỉ nên thực hiện bởi nhà sản xuất hoặc các nhà cung cấp dịch vụ được ủy quyền.
3. **Tuân theo hướng dẫn dành cho việc bôi trơn và thay phụ tùng.**

Cảnh báo an toàn đối với máy vận tốc chạy pin

1. **Cầm dụng cụ máy tại bề mặt kẹp cách điện khi thực hiện một thao tác trong đó bộ phận kẹp có thể tiếp xúc với dây dẫn điện kín bên dưới.** Bộ phận kẹp tiếp xúc với dây dẫn "có điện" có thể khiến các bộ phận kim loại bị hở của dụng cụ máy "có điện" và làm cho người vận hành bị điện giật.
2. **Đeo thiết bị bảo vệ tai.**
3. **Kiểm tra đầu bắt vít thật kỹ xem có bị mòn, nứt hoặc hư hỏng không trước khi lắp.**
4. **Cầm chắc dụng cụ.**
5. **Giữ tay tránh xa các bộ phận quay.**
6. **Không chạm vào đầu bắt vít, bu lông, đai ốc hay phôi gia công ngay sau khi vận hành.** Chúng có thể rất nóng và có thể gây bỏng da.
7. **Luôn chắc chắn rằng bạn có chỗ tựa chân vững chắc.**
Đảm bảo rằng không có ai ở bên dưới khi sử dụng dụng cụ ở những vị trí trên cao.
8. **Lực vận xiết phù hợp có thể khác biệt tùy theo loại hoặc kích thước bu-lông. Kiểm tra mô-men xoay bằng cờ-lê lực.**
9. **Đảm bảo rằng không có cáp điện, ống nước, ống gas, v.v... nào có thể gây nguy hiểm nếu bị hư hỏng do sử dụng dụng cụ.**

LƯU GIỮ CÁC HƯỚNG DẪN NÀY.

⚠ CẢNH BÁO: KHÔNG vi đã thoải mái hay quen thuộc với sản phẩm (có được do sử dụng nhiều lần) mà không tuân thủ nghiêm ngặt các quy định về an toàn dành cho sản phẩm này.

VIỆC DÙNG SAI hoặc không tuân theo các quy định về an toàn được nêu trong tài liệu hướng dẫn này có thể dẫn đến thương tích cá nhân nghiêm trọng.

Hướng dẫn quan trọng về an toàn dành cho hộp pin

1. Trước khi sử dụng hộp pin, hãy đọc kỹ tất cả các hướng dẫn và dấu hiệu cảnh báo trên (1) bộ sạc pin, (2) pin và (3) sản phẩm sử dụng pin.
2. Không tháo rời hoặc làm thay đổi hộp pin. Việc này có thể dẫn đến hỏa hoạn, quá nhiệt hoặc nổ.
3. Nếu thời gian vận hành ngắn hơn quá mức, hãy ngừng vận hành ngay lập tức. Điều này có thể dẫn đến rủi ro quá nhiệt, có thể gây bỏng và thậm chí là nổ.
4. Nếu chất điện phân rơi vào mắt, hãy rửa sạch bằng nước sạch và đến cơ sở y tế ngay lập tức. Chất này có thể khiến bạn giảm thị lực.
5. Không để hộp pin ở tình trạng đoản mạch:
 - (1) Không chạm vào cực pin bằng vật liệu dẫn điện.
 - (2) Tránh cất giữ hộp pin trong hộp có các vật kim loại khác như đinh, tiền xu, v.v...
 - (3) Không được để hộp pin tiếp xúc với nước hoặc mưa.Đoản mạch pin có thể gây ra dòng điện lớn, quá nhiệt, có thể gây bỏng và thậm chí là hỏng hóc.
6. Không cất giữ cũng như sử dụng dụng cụ và hộp pin ở nơi nhiệt độ có thể lên tới hoặc vượt quá 50 °C (122 °F).
7. Không đốt hộp pin ngay cả khi hộp pin đã bị hư hại nặng hoặc hư hỏng hoàn toàn. Hộp pin có thể nổ khi tiếp xúc với lửa.
8. Không đóng đinh, cắt, nghiền nát, ném, làm rơi hộp pin hoặc va vật cứng vào hộp pin. Làm như thế có thể dẫn đến hỏa hoạn, quá nhiệt hoặc nổ.
9. Không sử dụng pin đã hỏng.
10. Pin nén lithium-ion là đối tượng có yêu cầu bắt buộc theo Luật Hàng hoá Nguy hiểm. Đối với vận tải thương mại, ví dụ như vận tải do bên thứ ba, đại lý giao nhận, thì yêu cầu đặc biệt về đóng gói và nhãn ghi phải được giám sát. Để chuẩn bị cho mặt hàng cần vận chuyển, cần phải tham khảo ý kiến chuyên gia về vật liệu nguy hiểm. Nếu được, vui lòng tuân thủ các quy định quốc gia chi tiết hơn. Buộc hoặc niêm phong các tiếp điểm mở và đóng gói pin theo cách đó để nó không thể di chuyển trong bao bì.
11. Khi vứt bỏ hộp pin, hãy tháo chúng khỏi dụng cụ và thải bỏ ở nơi an toàn. Phải tuân thủ theo các quy định của địa phương liên quan đến việc thải bỏ pin.

12. Chỉ sử dụng pin cho các sản phẩm Makita chỉ định. Lắp pin vào sản phẩm không thích hợp có thể gây ra hỏa hoạn, quá nhiệt, nổ, hoặc rò chất điện phân.
13. Nếu dụng cụ không được sử dụng trong một thời gian dài, cần phải tháo pin ra khỏi dụng cụ.
14. Trong và sau khi sử dụng, hộp pin có thể bị nóng, có thể gây bỏng hoặc bỏng ở nhiệt độ thấp. Chú ý xử lý hộp pin nóng.
15. Không chạm vào điện cực của dụng cụ ngay sau khi sử dụng vì điện cực đã nóng để gây bỏng.
16. Không để vụn bào, bụi hoặc đất bám vào các điện cực, lỗ và rãnh của hộp pin. Việc này có thể dẫn đến hiệu suất kém hoặc hỏng hóc dụng cụ hay hộp pin.
17. Trừ khi dụng cụ hỗ trợ sử dụng gần đường dây điện cao thế, không sử dụng hộp pin gần đường dây điện cao thế. Việc này có thể dẫn đến trực tiếp hoặc hỏng hóc dụng cụ hay hộp pin.
18. Giữ pin tránh xa trẻ em.

LƯU GIỮ CÁC HƯỚNG DẪN NÀY.

⚠ THẬN TRỌNG: Chỉ sử dụng pin Makita chính hãng. Việc sử dụng pin không chính hãng Makita, hoặc pin đã được sửa đổi, có thể dẫn đến nổ pin gây ra cháy, thương tích và thiệt hại cá nhân. Nó cũng sẽ làm mất hiệu lực bảo hành của Makita dành cho dụng cụ của Makita và bộ sạc.

Mẹo duy trì tuổi thọ tối đa cho pin

1. Sạc hộp pin trước khi pin bị xả điện hoàn toàn. Luôn dừng việc vận hành dụng cụ và sạc pin khi bạn nhận thấy công suất dụng cụ bị giảm.
2. Không được phép sạc lại một hộp pin đã được sạc đầy. Sạc quá mức sẽ làm giảm tuổi thọ của pin.
3. Sạc pin ở nhiệt độ phòng 10°C - 40°C. Để cho hộp pin nóng nguội lại dần trước khi sạc pin.
4. Khi không sử dụng hộp pin, hãy tháo hộp pin ra khỏi dụng cụ hoặc bộ sạc.
5. Sạc pin sáu tháng một lần nếu bạn không sử dụng dụng cụ trong một thời gian dài (hơn sáu tháng).

MÔ TẢ CHỨC NĂNG

⚠ THẬN TRỌNG: Luôn đảm bảo rằng đã tắt dụng cụ và tháo hộp pin ra trước khi thực hiện việc điều chỉnh hoặc kiểm tra chức năng trên dụng cụ.

Lắp hoặc tháo hộp pin

⚠ THẬN TRỌNG: Luôn tắt dụng cụ trước khi lắp hoặc tháo hộp pin.

⚠ THẬN TRỌNG: Giữ dụng cụ và hộp pin thật chắc khi lắp hoặc tháo hộp pin. Không giữ dụng cụ và làm hư hỏng dụng cụ và hộp pin hoặc gây thương tích cá nhân.

► **Hình1:** 1. Chỉ báo màu đỏ 2. Nút 3. Hộp pin

Để tháo hộp pin, vừa trượt pin ra khỏi dụng cụ vừa đẩy trượt nút ở phía trước hộp pin.

Để lắp hộp pin, đặt thẳng hàng phần chốt nhỏ ra của hộp pin vào phần rãnh nằm trên vỏ và trượt hộp pin vào vị trí. Đưa hộp pin vào hết mức cho đến khi chốt khóa vào đúng vị trí với một tiếng cách nhẹ. Nếu bạn có thể nhìn thấy chỉ báo màu đỏ như thể hiện trong hình, điều đó có nghĩa vẫn chưa được khóa hoàn toàn.

⚠ THẬN TRỌNG: Luôn lắp hộp pin khớp hoàn toàn vào vị trí cho đến khi không thể nhìn thấy chỉ báo màu đỏ. Nếu không, hộp pin có thể vô tình rơi ra khỏi dụng cụ, gây thương tích cho bạn hoặc người khác xung quanh.

⚠ THẬN TRỌNG: Không được dùng sức lắp hộp pin. Nếu hộp pin không nhẹ nhàng trượt vào vị trí, có nghĩa là pin vẫn chưa được lắp đúng.

Hệ thống bảo vệ dụng cụ / pin

Dụng cụ này được trang bị hệ thống bảo vệ dụng cụ / pin. Hệ thống này sẽ tự động ngắt nguồn điện đến động cơ để kéo dài tuổi thọ dụng cụ và pin. Dụng cụ sẽ tự động dừng vận hành khi dụng cụ hoặc pin ở một trong những trường hợp sau đây:

Bảo vệ quá tải

Khi vận hành pin trong điều kiện làm máy tiêu tốn dòng cao bất thường, dụng cụ sẽ tự động dừng lại mà không có bất cứ dấu hiệu nào. Trong trường hợp này, hãy tắt dụng cụ và ngừng ứng dụng làm cho dụng cụ trở nên quá tải. Sau đó bật dụng cụ lên để khởi động lại.

Bảo vệ quá nhiệt

Khi dụng cụ/pin bị quá nhiệt, dụng cụ sẽ tự động dừng. Trong tình huống này, hãy để dụng cụ/pin nguội trở lại trước khi bật dụng cụ lại.

Bảo vệ xả điện quá mức

Khi dung lượng pin không đủ, thì dụng cụ sẽ tự động dừng. Trong trường hợp này, hãy tháo pin khỏi dụng cụ và sạc pin lại.

Kiểm tra dung lượng pin còn lại (BL1460A)

► **Hình2:** 1. Các đèn chỉ báo 2. Nút Check (kiểm tra)

LƯU Ý: Tùy thuộc vào các điều kiện sử dụng và nhiệt độ xung quanh, việc chỉ báo có thể khác biệt một chút so với dung lượng thực sự.

Khi sạc pin

Khi bắt đầu sạc, đèn báo hiệu đầu tiên (phía xa bên trái) sẽ bắt đầu nhấp nháy. Sau đó, khi bắt đầu việc sạc pin, các đèn khác sáng lên, từng đèn một, để báo hiệu dung lượng pin.

LƯU Ý: Nếu đèn báo không bật hoặc nhấp nháy khi sạc, pin có thể bị lỗi. Trong trường hợp này, liên hệ trung tâm dịch vụ tại địa phương của bạn.

Khi sử dụng

Khi bật dụng cụ lên, các đèn sẽ sáng để báo hiệu dung lượng pin còn lại. Khi tắt dụng cụ, đèn sẽ tắt sau khoảng 5 giây.

Khi nhấn nút kiểm tra với công cụ đã tắt, các đèn chỉ báo bật trong khoảng 5 giây để hiển thị dung lượng pin. Khi đèn màu da cam nhấp nháy, dụng cụ sẽ dừng hoạt động vì dung lượng pin còn lại rất ít (Chế độ Tự động dừng). Hãy sạc hộp pin hoặc sử dụng một hộp pin đã được sạc khi đó.

Khi sử dụng dụng cụ với pin không được sử dụng trong một thời gian dài và được bật lên, có thể toàn bộ các đèn đều không sáng. Dụng cụ sẽ dừng lại vì lúc này dung lượng pin còn lại rất ít. Sạc pin đúng cách.

Hoạt động công tắc

► **Hình3:** 1. Cần khởi động công tắc

⚠ THẬN TRỌNG: Trước khi lắp hộp pin vào dụng cụ, luôn luôn kiểm tra xem cần khởi động công tắc có hoạt động bình thường hay không và trả về vị trí "OFF" (TẮT) khi nhà ra.

Để khởi động dụng cụ, chỉ cần kéo cần khởi động công tắc. Tốc độ của dụng cụ được tăng lên bằng cách tăng áp lực lên cần khởi động công tắc. Nhà cần khởi động công tắc ra để dừng.

LƯU Ý: Dụng cụ này sẽ tự động dừng lại nếu bạn tiếp tục kéo giữ cần khởi động công tắc trong khoảng 3 phút.

Bật sáng đèn phía trước

► **Hình4:** 1. Đèn

⚠ THẬN TRỌNG: Đừng nhìn thẳng trực tiếp vào đèn hoặc nguồn sáng.

Kéo cần khởi động công tắc để bật sáng đèn. Đèn sẽ vẫn sáng trong lúc cần khởi động công tắc đang được kéo. Đèn sẽ tắt khoảng 10 giây sau khi nhà cần khởi động công tắc.

LƯU Ý: Dùng vải khô để lau bụi bẩn trên kính đèn. Cần thận trọng để tránh làm xước kính đèn, nếu không đèn có thể bị giảm độ sáng.

Hoạt động công tắc đảo chiều

► **Hình5:** 1. Cần công tắc đảo chiều

⚠ THẬN TRỌNG: Luôn luôn kiểm tra hướng xoay trước khi vận hành.

⚠ THẬN TRỌNG: Chỉ sử dụng công tắc đảo chiều sau khi dụng cụ đã dừng hoàn toàn. Việc thay đổi hướng xoay trước khi dụng cụ dừng có thể làm hỏng dụng cụ.

⚠ THẬN TRỌNG: Khi vận hành dụng cụ, luôn đặt nút công tắc đảo chiều ở vị trí chính giữa.

Dụng cụ này có một công tắc đảo chiều để thay đổi chiều xoay. Nhấn nút công tắc đảo chiều từ mặt A để xoay theo chiều kim đồng hồ hoặc từ mặt B để xoay ngược chiều kim đồng hồ. Khi nút công tắc đảo chiều ở vị trí chính giữa, không thể kéo cần khởi động công tắc được.

Thay đổi cài đặt tham số trên máy tính

Bạn có thể cấu hình cài đặt chi tiết của dụng cụ bằng phần mềm ứng dụng "Makita Industry Tool Settings". Cài đặt phần mềm ứng dụng trên máy tính và kết nối dụng cụ với máy tính bằng cáp USB.

Tham khảo tài liệu hướng dẫn về "Makita Industry Tool Settings" để biết chi tiết về cấu hình.

► **Hình6:** 1. Cổng USB 2. Nắp bảo vệ USB 3. Cáp USB

CHÚ Ý: Hãy đảm bảo nắp bảo vệ USB đóng khi gắn vận vít.

LƯU Ý: Khi ấn cần công tắc đảo chiều xoay theo chiều kim đồng hồ, đèn chỉ báo sẽ hiển thị cài đặt xoay theo chiều kim đồng hồ.

Khi ấn cần công tắc đảo chiều xoay ngược chiều kim đồng hồ, đèn chỉ báo sẽ hiển thị cài đặt xoay ngược chiều kim đồng hồ.

LƯU Ý: Sử dụng số cài sẵn làm hướng dẫn. Để giữ đúng lực vận xiết, số lần va đập sẽ tự động thay đổi theo dung lượng pin còn lại.

LƯU Ý: Sử dụng cáp USB chính hãng của makita để kết nối máy tính của bạn với dụng cụ. Tham khảo phần "THÔNG SỐ KỸ THUẬT".

LƯU Ý: Để có phần mềm ứng dụng, hãy liên hệ với đại diện bán hàng của Makita.

Thay đổi cài đặt tham số trên dụng cụ (Chế độ Cài Đặt Trường)

CHÚ Ý: Chức năng này có sẵn theo mặc định. Nếu bạn đã tắt chế độ Cài Đặt Trường trên máy tính, hãy bật chức năng này trước. Tham khảo tài liệu hướng dẫn về "Makita Industry Tool Settings" để biết cách cấu hình.

CHÚ Ý: Nếu chế độ Cài Đặt Trường bị tắt, việc thực hiện cài đặt trên dụng cụ sẽ không khả dụng. Khi bạn nhấn nút cài đặt, các giá trị được đặt trên dụng cụ sẽ được hiển thị theo thứ tự.

Số cài đặt hiện tại được hiển thị trên đèn chỉ báo.

Mỗi lần bạn nhấn nút cài đặt, đèn chỉ báo sẽ hiển thị mức lực xoắn, mức hạn chế, phạm vi thời gian khả thi và "Ad".

► **Hình7:** 1. Nút cài đặt 2. Đèn chỉ báo

Bạn có thể thay đổi các cài đặt tham số sau đây trên dụng cụ của mình:

- Cài đặt tự động dừng / Chế độ tự do

Mục cài đặt	Hiển thị trên đèn chỉ báo	Mô tả
Mức lực xoắn	01 - 40 FF OP	Mức lực xoắn tại đó chế độ Tự Động Dừng Siết sẽ hoạt động
Mức hạn chế	L1 - L7 OP	Độ nhạy của để bộ phận kẹp
Phạm vi thời gian khả thi	Lo: 0.1 - 9.9 Hi: 0.1 - 9.9 --	Thời gian quay ngắn nhất/dài nhất khi bạn tiếp tục kéo cần khởi động công tắc.

CHÚ Ý: Nếu "OP" (chế độ Tự Động Dừng Nơi Lông) được hiển thị trên đèn chỉ báo, cài đặt mức lực xoắn và cài đặt mức hạn chế sẽ không khả dụng. Trong trường hợp này, thay đổi chế độ thành chế độ Tự Động Dừng Siết, sau đó đặt mức lực xoắn và mức hạn chế trên máy tính bằng cách sử dụng "Makita Industry Tool Settings".

Thay đổi mức xoắn

Khi thay đổi mức xoắn từ 23 thành 34

► Hình 8

1. Nhấn nút cài đặt nhiều lần cho đến khi đèn chỉ báo hiển thị số có 2 chữ số, tương ứng với cài đặt hiện tại của mức xoắn.
2. Nhấn và giữ nút cài đặt cho đến khi số ở vị trí hàng chục bắt đầu nhấp nháy.
3. Đặt số ở vị trí hàng chục bằng cách nhấn nhanh nút cài đặt. Mỗi lần bạn nhấn nút cài đặt, đèn chỉ báo sẽ hiển thị số từ "0" đến "4" và "F" theo chu kỳ.
4. Nhấn và giữ nút cài đặt cho đến khi số ở vị trí hàng đơn vị bắt đầu nhấp nháy.
5. Đặt số ở vị trí hàng đơn vị bằng cách nhấn nhanh nút cài đặt. Mỗi lần bạn nhấn nút cài đặt, đèn chỉ báo sẽ hiển thị số từ "0" đến "9" và "F" theo chu kỳ.
6. Nhấn và giữ nút cài đặt trong vài giây.

LƯU Ý: Nếu bạn không rõ mức xoắn nào phù hợp với công việc của mình, hãy đặt "FF" để dụng cụ hoạt động ở chế độ Tự do.

LƯU Ý: Nếu bạn nhập "00", "FF" sẽ được hiển thị thay cho "00".

Thay đổi mức hạn chế

Khi thay đổi mức hạn chế từ L1 thành L2

► Hình 9

1. Nhấn nút cài đặt nhiều lần cho đến khi đèn chỉ báo hiển thị 2 ký tự bắt đầu bằng "L" có số theo sau. Đây là viết tắt của cài đặt hiện tại của mức hạn chế.
2. Nhấn và giữ nút cài đặt cho đến khi đèn chỉ báo bắt đầu nhấp nháy.
3. Đặt mức hạn chế. Mỗi lần bạn nhấn nút cài đặt, đèn chỉ báo sẽ hiển thị từ "L1" đến "L7" theo chu kỳ. Mức hạn chế thấp nhất là "L1" và "L7" là mức cao nhất.
4. Nhấn và giữ nút cài đặt trong vài giây.

Thay đổi phạm vi thời gian khả thi ngắn nhất

Khi thay đổi phạm vi thời gian khả thi ngắn nhất từ 2,5 đến 3,6

► Hình 10

1. Nhấn nút cài đặt nhiều lần cho đến khi đèn chỉ báo hiển thị "Lo" và số luân phiên. Đây là viết tắt của cài đặt hiện tại của phạm vi thời gian khả thi ngắn nhất.
2. Nhấn và giữ nút cài đặt cho đến khi số ở vị trí hàng đơn vị bắt đầu nhấp nháy.
3. Đặt số ở vị trí hàng đơn vị bằng cách nhấn nhanh nút cài đặt. Mỗi lần bạn nhấn nút cài đặt, đèn chỉ báo sẽ hiển thị số từ "0" đến "9" theo chu kỳ.
4. Nhấn và giữ nút cài đặt cho đến khi số ở vị trí thập phân bắt đầu nhấp nháy.
5. Đặt số ở vị trí thập phân bằng cách nhấn nhanh nút cài đặt. Mỗi lần bạn nhấn nút cài đặt, đèn chỉ báo sẽ hiển thị số từ "0" đến "9" theo chu kỳ.
6. Nhấn và giữ nút cài đặt trong vài giây.

LƯU Ý: Khi bạn đặt giá trị nhỏ hơn "0,1" cho phạm vi thời gian khả thi ngắn nhất, đèn chỉ báo sẽ hiển thị "-.-" và phạm vi thời gian khả thi ngắn nhất sẽ bị vô hiệu hóa. Để nhập "-.-", đặt giá trị thành "0,9", sau đó nhấn nút cài đặt khi số ở vị trí hàng đơn vị đang nhấp nháy.

Thay đổi phạm vi thời gian khả thi dài nhất

Khi thay đổi phạm vi thời gian khả thi dài nhất từ 2,5 thành 3,6

► Hình 11

1. Nhấn nút cài đặt nhiều lần cho đến khi đèn chỉ báo hiển thị "Hi" và số luân phiên. Đây là viết tắt của cài đặt hiện tại của phạm vi thời gian khả thi dài nhất.
2. Nhấn và giữ nút cài đặt cho đến khi số ở vị trí hàng đơn vị bắt đầu nhấp nháy.
3. Đặt số ở vị trí hàng đơn vị bằng cách nhấn nhanh nút cài đặt. Mỗi lần bạn nhấn nút cài đặt, đèn chỉ báo sẽ hiển thị số từ "0" đến "9" theo chu kỳ.
4. Nhấn và giữ nút cài đặt cho đến khi số ở vị trí thập phân bắt đầu nhấp nháy.
5. Đặt số ở vị trí thập phân bằng cách nhấn nhanh nút cài đặt. Mỗi lần bạn nhấn nút cài đặt, đèn chỉ báo sẽ hiển thị số từ "0" đến "9" theo chu kỳ.
6. Nhấn và giữ nút cài đặt trong vài giây.

LƯU Ý: Khi bạn đặt giá trị lớn hơn "9,9" cho phạm vi thời gian khả thi dài nhất, đèn chỉ báo sẽ hiển thị "-.-" và phạm vi thời gian khả thi dài nhất sẽ bị vô hiệu hóa. Để nhập "-.-", đặt giá trị thành "9,9", sau đó nhấn nút cài đặt khi số ở vị trí hàng đơn vị đang nhấp nháy.

Đo lường hoạt động thực tế (Tự chẩn đoán)

CHÚ Ý: Chức năng này có sẵn theo mặc định. Nếu bạn đã tắt chế độ Cài Đặt Trường trên máy tính, hãy bật chức năng này trước. Tham khảo tài liệu hướng dẫn về "Makita Industry Tool Settings" để biết cách cấu hình.

Bạn có thể đo mức lực xoắn và thời gian hoạt động của một hoạt động thực tế bằng cách vận hành dụng cụ. Mức lực xoắn và thời gian có thể được sử dụng chẳng hạn như:

- Tái tạo kỹ thuật điều khiển lực xoắn của một công nhân lành nghề và;
- Tham chiếu thời gian cho cài đặt của phạm vi thời gian khả thi ngắn nhất/dài nhất.

Đo mức lực xoắn và thời gian hoạt động

1. Nhấn nút cài đặt nhiều lần cho đến khi "Ad." được hiển thị trên đèn chỉ báo.
2. Nhấn và giữ nút cài đặt cho đến khi đèn chỉ báo hiển thị "Ch".
3. Thực hiện hoạt động mà bạn muốn để đo thời gian hoạt động.
 - Nếu bạn đã cấu hình mức lực xoắn, hãy vận hành dụng cụ cho đến khi dụng cụ dừng ở chế độ Tự Động Dừng Siết.
 - Nếu bạn chưa cấu hình mức lực xoắn (chế độ Tự do), hãy vận hành dụng cụ khi cần thiết.
4. Kiểm tra kết quả đo. Nhấn nút cài đặt một lần để hiển thị mức lực xoắn thực tế và nhấn thêm một lần nữa để hiển thị thời gian hoạt động thực tế. Mỗi lần bạn nhấn nút cài đặt, đèn chỉ báo sẽ hiển thị "Ch", số mức lực xoắn thực tế và số thời gian vận hành thực tế trong một chu kỳ.
5. Nhấn và giữ nút cài đặt để thoát Tự chẩn đoán.

LƯU Ý: Chế độ Tự Động Dừng Siết vẫn hoạt động ngay cả trong chế độ Tự chẩn đoán. Nếu bạn muốn đo mức lực xoắn không giới hạn, hãy đặt mức lực xoắn "FF" (chế độ Tự do) và thực hiện các quy trình trên.

LƯU Ý: Nếu hiển thị "-." trên đèn chỉ báo, tác động không hoạt động hoặc mức lực xoắn cao hơn 40. Nếu "-." được hiển thị trong đèn chỉ báo, thời gian hoạt động đã vượt quá 9,9 giây.

- Trong trường hợp tác động không hoạt động: Hãy đo lại mức lực xoắn với thời gian khả thi dài hơn.
- Trong trường hợp mức lực xoắn cao hơn 40: Dụng cụ không thể đo mức lực xoắn. Sử dụng dụng cụ với phạm vi lực xoắn cao hơn nếu khả dụng.
- Trong trường hợp thời gian hoạt động đã vượt quá 9,9 giây, phạm vi thời gian khả thi không khả dụng.

Ví dụ đo lường:

Nếu bạn cấu hình cài đặt sau đây, bạn có thể đọc được trạng thái của dụng cụ.

Trường hợp 1

Mục cài đặt	Cài đặt dụng cụ	Kết quả đo	Chẩn đoán
Mức lực xoắn	23	20	Dụng cụ đã dừng lại do cài đặt của phạm vi thời gian khả thi dài nhất (3,5 giây) trước khi dụng cụ đạt đến cài đặt của chế độ Tự Động Dừng Siết (mức lực xoắn 23).
Phạm vi thời gian khả thi	ngắn nhất: 2,5 giây dài nhất: 3,5 giây	3,5	

Trường hợp 2

Mục cài đặt	Cài đặt dụng cụ	Kết quả đo	Chẩn đoán
Mức lực xoắn	23	23	Dụng cụ đã dừng lại bởi chế độ Tự Động Dừng Siết (mức lực xoắn 23) trước khi dụng cụ đạt đến cài đặt của phạm vi thời gian khả thi dài nhất (3,5 giây).
Phạm vi thời gian khả thi	ngắn nhất: 2,5 giây dài nhất: 3,5 giây	3	

Đèn LED chỉ thị / bộ phát tiếng bip

► Hình12: 1. Đèn LED chỉ thị

Đèn LED chỉ thị / bộ phát tiếng bip trên dụng cụ sẽ thể hiện các chức năng sau.

Số hiệu chuông báo	Chức năng	Tình trạng của dụng cụ	Tình trạng đèn LED chỉ thị/bộ phát tiếng bip		Các bước cần thực hiện
			Đèn LED chỉ thị	Bộ phát tiếng bip	
E0	Lỗi lắp đặt pin	Nếu hộp pin được lắp đặt cùng với cần khởi động công tắc được kéo, dụng cụ dừng hoạt động để tránh vô ý khởi động dụng cụ.	Màu đỏ và màu xanh lá luân phiên nhấp nháy.	Một loạt tiếng bip dài	Lắp đặt hộp pin đồng thời nhả khóa cần khởi động công tắc.
E1	Tự động dừng	Năng lượng pin bị yếu và đó là lúc để thay thế hộp pin.	Màu đỏ và màu xanh lá luân phiên nhấp nháy.	Một loạt tiếng bip dài	Thay thế pin bằng pin khác đã sạc đầy đủ.
E2	Bộ điều khiển ngăn khởi động lại	Điện áp pin giảm xuống bất thường vì một số lý do, và dụng cụ dừng hoạt động.	Màu đỏ và màu xanh lá luân phiên nhấp nháy.	Một loạt tiếng bip dài	Thay thế pin bằng pin khác đã sạc đầy đủ.
E3	Tự động dừng khi dung lượng pin còn lại thấp	Năng lượng pin gần sử dụng hết và dụng cụ dừng hoạt động.	Đèn sáng màu đỏ.	Một tiếng bip kéo dài	Thay thế pin bằng pin khác đã sạc đầy đủ.
E4	Bảo vệ quá tải	Dụng cụ bị quá tải và dừng lại.	Màu đỏ và màu xanh lá luân phiên nhấp nháy.	Một loạt tiếng bip dài	Loại bỏ nguyên nhân gây quá tải, sau đó khởi động lại dụng cụ. Liên hệ Trung Tâm Dịch vụ Makita ở địa phương bạn ở để yêu cầu sửa chữa.
E5	Bảo vệ quá nhiệt	Bộ điều khiển của dụng cụ nóng lên bất thường và dụng cụ dừng hoạt động.	Màu đỏ nhấp nháy nhanh.	Một loạt tiếng bip dài	Tháo hộp pin ngay lập tức và làm nguội dụng cụ.
E6	Khóa động cơ	Động cơ đã bị khóa. Tại thời điểm này, dụng cụ không hoạt động.	Màu đỏ và màu xanh lá luân phiên nhấp nháy.	Một loạt tiếng bip dài	Nhả cần khởi động công tắc và kéo cần khởi động công tắc lại lần nữa.
E7	Lỗi động cơ	Dụng cụ đã phát hiện lỗi động cơ. Tại thời điểm này, dụng cụ không hoạt động.	Màu đỏ và màu xanh lá luân phiên nhấp nháy.	Một loạt tiếng bip dài	Liên hệ Trung Tâm Dịch vụ Makita ở địa phương bạn ở để yêu cầu sửa chữa.
E8	Lỗi công tắc	Dụng cụ phát hiện lỗi công tắc.	Màu đỏ và màu xanh lá luân phiên nhấp nháy.	Một loạt tiếng bip dài	Liên hệ Trung Tâm Dịch vụ Makita ở địa phương bạn ở để yêu cầu sửa chữa.
E9	Chuông báo cho thời gian sử dụng dài	Dụng cụ này đã được bật trong thời gian dài (Khoảng 3 phút).	Màu đỏ và màu xanh lá luân phiên nhấp nháy.	Một tiếng bip kéo dài	Nhả cần khởi động công tắc và kéo cần khởi động công tắc lại lần nữa.
-	Tự động dừng sau khi hoàn thành vận xiết	Lực vận xiết cài đặt trước đã đạt được và dụng cụ dừng hoạt động.	Đèn sáng màu xanh lá trong khoảng một giây.	-	-
-	Chuông báo về việc vận chặt chưa đủ	Lực vận xiết cài đặt trước chưa đạt được vì cần khởi động công tắc bị nhả ra trước khi hoàn thành việc vận xiết.	Đèn sáng màu xanh lá trong khoảng một giây.	Một tiếng bip kéo dài	Siết chặt lại bộ phận kẹp.

Số hiệu chuông báo	Chức năng	Tình trạng của dụng cụ	Tình trạng đèn LED chỉ thị/bộ phát tiếng bip		Các bước cần thực hiện
			Đèn LED chỉ thị	Bộ phát tiếng bip	
-	Chuông báo về giới hạn khả năng vận xiết	-	Màu đỏ nhấp nháy nhanh.	Một loạt tiếng bip dài	Thay thế pin bằng pin khác đã sạc đầy đủ.
-	Chuông báo bảo trì	Số lượng truyền động đã đạt đến số cài sẵn để bảo trì của bạn.	Màu vàng nhấp nháy.	-	Cài đặt lại chuông báo bằng phần mềm ứng dụng.
-	Chuông báo về việc không trao đổi với PC	Không có trao đổi dữ liệu trong lúc dụng cụ được kết nối với PC.	Màu vàng nhấp nháy.	-	Khởi động lại phần mềm ứng dụng và kết nối lại cáp USB.
-	Dấu hiệu cho thấy dụng cụ này có thể trao đổi với PC	Dụng cụ này được kết nối với PC và có thể trao đổi với PC.	Màu xanh lá nhấp nháy.	-	-
-	Kiểm tra đèn và bộ phát tiếng bip (khi lắp hộp pin)	Dụng cụ này thực hiện kiểm tra hoạt động cho đèn LED chỉ thị (xanh lá/đỏ), ánh sáng và bộ phát tiếng bip.	Đèn LED chỉ thị sáng lên màu xanh lá sau đó là màu đỏ. Sau đó, đèn bật sáng một lúc.	Một loạt tiếng bip rất ngắn	-

LẮP RÁP

⚠ THẬN TRỌNG: Luôn đảm bảo rằng đã tắt dụng cụ và tháo hộp pin ra trước khi thực hiện bất cứ thao tác nào trên dụng cụ.

Chọn đúng đầu bắt vít

Luôn sử dụng đầu bắt vít đúng kích thước cho các loại bu-lông và đai ốc. Đầu bắt vít không đúng kích thước sẽ làm cho lực vận xiết không chính xác và không ổn định và/hoặc làm hư hỏng bu-lông hoặc đai ốc.

Lắp hoặc tháo đầu bắt vít

Phụ kiện tùy chọn

⚠ THẬN TRỌNG: Đảm bảo rằng đầu bắt vít và phần gắn không bị hư hỏng trước khi lắp đầu bắt vít.

⚠ THẬN TRỌNG: Sau khi đẩy đầu tuýp va đập vào, đảm bảo rằng đầu tuýp được giữ chặt. Nếu mũi vít rời ra, đừng sử dụng nó nữa.

LƯU Ý: Cách cài đặt đầu bắt vít sẽ khác nhau tùy thuộc vào loại đầu quay vuông trên dụng cụ.

Dụng cụ với vòng lò xo

Đối với đầu bắt vít không có vòng chữ O và chốt

► **Hình13:** 1. Đầu bắt vít 2. Đầu quay vuông 3. Vòng lò xo

Đẩy đầu bắt vít vào đầu quay vuông cho đến khi khớp vào vị trí.

Để tháo đầu bắt vít, chỉ cần kéo nó ra.

Đối với đầu bắt vít có vòng chữ O và chốt

► **Hình14:** 1. Đầu bắt vít 2. Vòng chữ O 3. Chốt

Đẩy vòng chữ O ra khỏi rãnh trong đầu bắt vít và tháo chốt khỏi đầu bắt vít. Gắn khớp đầu bắt vít vào đầu quay vuông sao cho lỗ trên đầu bắt vít được căn chỉnh với lỗ trên đầu quay vuông.

Lắp chốt xuyên qua lỗ trong đầu bắt vít và đầu quay vuông. Sau đó xoay vòng chữ O về vị trí ban đầu trong rãnh đầu bắt vít để giữ chốt lại.

Để tháo đầu bắt vít, hãy làm ngược lại quy trình lắp vào.

Dụng cụ với chốt hãm

► **Hình15:** 1. Đầu bắt vít 2. Lỗ 3. Đầu quay vuông 4. Chốt hãm

Căn chỉnh lỗ ở bên hông đầu bắt vít thẳng hàng với chốt hãm trên đầu quay vuông và nhấn nó vào đầu bắt vít trên đầu quay vuông cho đến khi khớp vào vị trí. Vỡ nhẹ nếu cần.

Để tháo đầu bắt vít, chỉ cần kéo nó ra. Nếu khó tháo, hãy ấn chốt hãm trong khi kéo đầu bắt vít.

Lắp móc treo

Phụ kiện tùy chọn

Móc treo hữu dụng dùng để treo dụng cụ. Lắp móc treo vào các lỗ trên thân máy.

► **Hình16:** 1. Móc treo 2. Lỗ

VẬN HÀNH

⚠ THẬN TRỌNG: Luôn luôn lắp hộp pin vào hết mức cho đến khi nó khóa đúng vào vị trí. Nếu bạn vẫn còn nhìn thấy đèn chỉ báo màu đỏ ở mặt trên của nút, điều đó có nghĩa là chốt vẫn chưa được khóa hoàn toàn. Lắp chốt hoàn toàn vào vị trí cho đến khi không thể nhìn thấy đèn chỉ báo màu đỏ. Nếu không, hộp pin có thể vô tình rơi ra khỏi dụng cụ, gây thương tích cho bạn hoặc người khác xung quanh.

⚠ THẬN TRỌNG: Giữ chặt dụng cụ và đặt đầu bắt vít lên trên bu-lông hoặc đai ốc. Bật dụng cụ lên và vận bulông theo thời gian vận xiết phù hợp.

⚠ THẬN TRỌNG: Nếu dụng cụ được vận hành liên tục cho đến khi hộp pin đã bị xả kiệt, hãy để dụng cụ nghỉ 15 phút trước khi thực hiện tiếp bằng hộp pin mới.

⚠ THẬN TRỌNG: Nhấn dụng cụ quá mức sẽ không tăng tốc độ khoan lên được. Trên thực tế, việc nhấn mạnh thêm này sẽ chỉ gây hỏng đầu mũi khoan của bạn, làm giảm hiệu năng và tuổi thọ hoạt động của dụng cụ.

⚠ THẬN TRỌNG: Luôn luôn giữ chặt các phôi gia công bằng kim hoặc dụng cụ kẹp tương tự.

► Hình 17

Mô-men xoay phù hợp có thể khác nhau tùy thuộc vào loại hoặc kích thước của bu-lông, vật liệu của phôi gia công cần được xiết vận, v.v...

CHÚ Ý: Khi xiết bu-lông cỡ nhỏ, hãy điều chỉnh áp lực cẩn thận lên cần khởi động công tắc sao cho bu-lông không bị hư hỏng.

CHÚ Ý: Giữ dụng cụ chĩa thẳng vào bu-lông hoặc đai ốc.

CHÚ Ý: Lực vận xiết quá mức có thể làm hỏng bu-lông/đai ốc hoặc đầu bắt vít. Trước khi bắt đầu thực hiện, luôn tiến hành thao tác thử nghiệm để xác định thời gian vận xiết phù hợp với loại bulông hoặc đai ốc của bạn.

Mô-men xoay bị ảnh hưởng bởi rất nhiều yếu tố như sau đây. Sau khi xiết, hãy luôn kiểm tra mô-men xoay bằng một cờ-lê cộng lực.

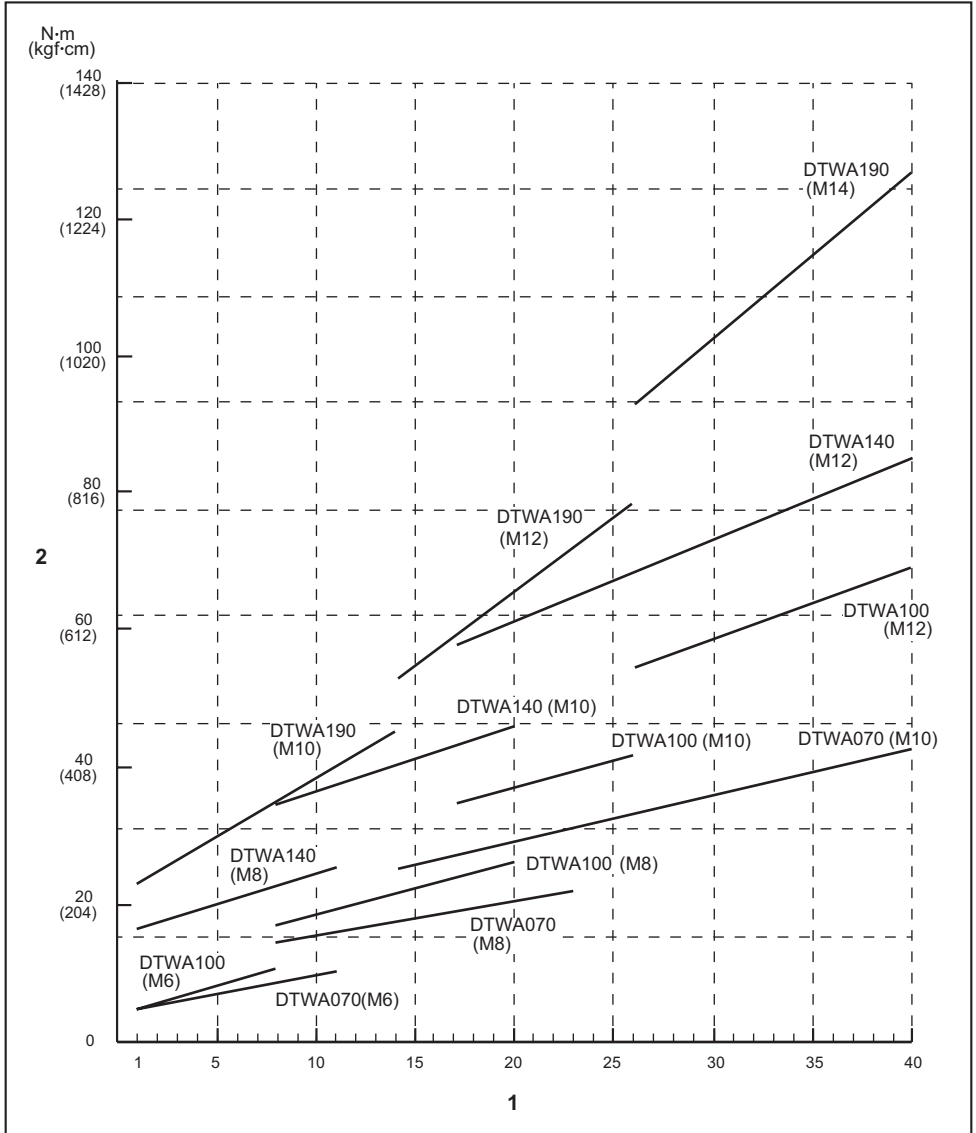
1. Khi hộp pin đã xả điện hoàn toàn, hiệu điện thế sẽ tụt xuống và mô-men xoay sẽ bị giảm.
2. Đầu bắt vít
 - Việc không sử dụng đầu bắt vít đúng kích thước có thể làm giảm lực vận xiết.
 - Đầu bắt vít bị mòn (mòn phần đầu lục giác hoặc đầu vuông) sẽ làm giảm lực vận xiết.
3. Bu-lông
 - Ngay cả khi hệ số mô-men xoay và loại bu-lông là giống nhau, mô-men xoay đúng quy định sẽ khác tùy theo đường kính của bu-lông.
 - Ngay cả khi đường kính các bu-lông là giống nhau, mô-men xoay đúng quy định sẽ khác tùy theo hệ số mô-men xoay, loại bu-lông và chiều dài bu-lông.

4. Việc sử dụng khớp nối đa năng hoặc thanh nối dài cũng làm giảm phần nào lực vận xiết của máy bắt bulông. Hãy bù trừ bằng cách kéo dài hơn thời gian vận xiết.
5. Cách cầm dụng cụ hoặc vật liệu tại vị trí bắt vít cần được xoay cũng sẽ ảnh hưởng đến mô-men xoay.
6. Vận hành dụng cụ ở tốc độ thấp cũng sẽ làm giảm mô-men xoay.

Lực vặn xiết và mức lực xoắn

LƯU Ý: Giá trị tham chiếu này được đo theo các điều kiện đo do Makita chỉ định.

LƯU Ý: Giá trị thực tế có thể khác nhau tùy theo tình trạng của bộ phận kẹp, vật liệu và phương pháp vặn xiết. Thực hiện chạy thử trước khi làm việc thực tế.



1. Mức lực xoắn 2. Lực vặn xiết

BẢO TRÌ

⚠ THẬN TRỌNG: Hãy luôn chắc chắn rằng dụng cụ đã được tắt và hộp pin đã được tháo ra trước khi cố gắng thực hiện việc kiểm tra hay bảo dưỡng.

CHÚ Ý: Không được phép dùng xăng, ét xăng, dung môi, cồn hoặc hóa chất tương tự. Có thể xảy ra hiện tượng mất màu, biến dạng hoặc nứt vỡ.

Để đảm bảo ĐỘ AN TOÀN và ĐỘ TIN CẬY của sản phẩm, việc sửa chữa hoặc bất cứ thao tác bảo trì, điều chỉnh nào đều phải được thực hiện bởi các Trung tâm Dịch vụ Nhà máy hoặc Trung tâm được Makita Ủy quyền và luôn sử dụng các phụ tùng thiết bị thay thế của Makita.

PHỤ KIỆN TỰY CHỌN

⚠ THẬN TRỌNG: Các phụ kiện hoặc phụ tùng gắn thêm này được khuyến cáo sử dụng với dụng cụ Makita của bạn theo như quy định trong hướng dẫn này. Việc sử dụng bất cứ phụ kiện hoặc phụ tùng gắn thêm nào khác đều có thể gây ra rủi ro thương tích cho người. Chỉ sử dụng phụ kiện hoặc phụ tùng gắn thêm cho mục đích đã quy định sẵn của chúng.

Nếu bạn cần bất kỳ sự hỗ trợ nào để biết thêm chi tiết về các phụ tùng này, hãy hỏi Trung tâm Dịch vụ của Makita tại địa phương của bạn.

- Móc treo
- Bộ phận Bảo vệ (Xanh, Đỏ, Vàng, Xanh lá, Không màu)
- Bộ phận Bảo vệ Pin dành cho BL1460A
- Bộ phận Bảo vệ Pin dành cho BL1415NA
- Pin và bộ sạc chính hãng của Makita
- Cáp USB

LƯU Ý: Một số mục trong danh sách có thể được bao gồm trong gói dụng cụ làm phụ kiện tiêu chuẩn. Các mục này ở mỗi quốc gia có thể khác nhau.

ข้อมูลจำเพาะ

รุ่น:		DTWA070	DTWA100	DTWA140	DTWA190
ความสามารถในการขันแน่น	สลักเกลียวมาตรฐาน	M5 - M12		M6 - M16	M8 - M16
	สลักเกลียวทนแรงดึงสูง	M5 - M10		M6 - M12	M8 - M14
แรงบิดขันแน่นสูงสุด		65 N•m	95 N•m	140 N•m	185 N•m
ระยะแรงบิด		ประมาณ 5 - 40 N•m	ประมาณ 6 - 65 N•m	ประมาณ 18 - 80 N•m	ประมาณ 25 - 125 N•m
ช่องยึดหัวบ็อกซ์		9.5 mm		12.7 mm	
ความเร็วขณะหมุนเปล่า (RPM)		0 - 2,500 min ⁻¹	0 - 2,700 min ⁻¹		0 - 2,600 min ⁻¹
อัตราการกระแทกต่อนาที		0 - 3,700 min ⁻¹	0 - 3,300 min ⁻¹		0 - 3,000 min ⁻¹
ความยาวโดยรวม		144 mm	151 mm	158 mm	
แรงดันไฟฟ้าที่กำหนด		D.C. 14.4 V			
น้ำหนักสุทธิ		1.1 - 1.4 kg	1.2 - 1.4 kg	1.2 - 1.5 kg	1.3 - 1.6 kg
สาย USB ที่ใช้ได้		661432-2			

- เนื่องจากการค้นคว้าวิจัยและพัฒนาอย่างต่อเนื่อง ข้อมูลจำเพาะในเอกสารฉบับนี้อาจเปลี่ยนแปลงได้โดยไม่ต้องแจ้งให้ทราบล่วงหน้า
- ข้อมูลจำเพาะอาจแตกต่างกันไปในแต่ละประเทศ
- น้ำหนักอาจแตกต่างกันไปตามอุปกรณ์เสริม รวมถึงตลับแบตเตอรี่ การติดอุปกรณ์เสริมที่เบาที่สุดและหนักที่สุดตามข้อบังคับของ EPTA 01/2014 มีแสดงอยู่ในตาราง

ตลับแบตเตอรี่และเครื่องชาร์จที่ใช้ได้

ตลับแบตเตอรี่	BL1415N / BL1415NA / BL1430B / BL1440 / BL1460A / BL1460B
เครื่องชาร์จ	DC18RC / DC18RD / DC18RE / DC18SD / DC18SE / DC18SF / DC18SH

- ตลับแบตเตอรี่และเครื่องชาร์จบางรายการที่แสดงอยู่ด้านบนอาจไม่มีวางจำหน่ายขึ้นอยู่กับภูมิภาคที่คุณอาศัยอยู่

⚠ คำเตือน: ใช้ตลับแบตเตอรี่และเครื่องชาร์จที่ระบุไว้ข้างบนเท่านั้น การใช้ตลับแบตเตอรี่และเครื่องชาร์จประเภทอื่นอาจก่อให้เกิดความเสี่ยงที่จะได้รับบาดเจ็บและ/หรือเกิดไฟไหม้

สัญลักษณ์

ต่อไปนี้เป็นสัญลักษณ์ที่อาจใช้สำหรับอุปกรณ์ โปรดศึกษาความหมายของสัญลักษณ์ให้เข้าใจก่อนการใช้งาน



อ่านคู่มือการใช้งาน



NI-MH
Li-ion

สำหรับประเทศในสหภาพยุโรปเท่านั้น เนื่องจากในอุปกรณ์มีส่วนประกอบอันตราย ชยะจำพวกอุปกรณ์ไฟฟ้า และอิเล็กทรอนิกส์ แบตเตอรี่ และหม้อแบตเตอรี่จึงอาจส่งผลกระทบต่อสิ่งแวดล้อมและสุขภาพของมนุษย์ในเชิงลบ อย่าทิ้งเครื่องใช้ไฟฟ้าและอิเล็กทรอนิกส์ หรือแบตเตอรี่รวมกับวัสดุเหลือทิ้งในครัวเรือน!

เพื่อให้เป็นไปตามกฎระเบียบของยุโรป ว่าด้วยขยะจำพวกอุปกรณ์ไฟฟ้าและอิเล็กทรอนิกส์ และหม้อสะสมไฟฟ้าและแบตเตอรี่ และขยะจำพวกหม้อสะสมไฟฟ้าและแบตเตอรี่ รวมถึงการบังคับใช้ตามกฎหมายภายในประเทศ ควรมีการจัดเก็บขยะจำพวกอุปกรณ์ไฟฟ้า แบตเตอรี่ และหม้อสะสมไฟฟ้าแยกต่างหากและส่งไปยังจุดรับขยะต่างหากในเขตเทศบาลซึ่งมีการดำเนินการตามระเบียบว่าด้วยการดูแลสิ่งแวดล้อม

โดยระบุด้วยสัญลักษณ์เส้นคาดขวางรูปถังขยะแบบมีล้อไว้บนอุปกรณ์

จุดประสงค์การใช้งาน

ใช้เครื่องมือชนิดนี้เพื่อขัดนอตและสลักเกลียว

คำเตือนด้านความปลอดภัย

คำเตือนด้านความปลอดภัยของเครื่องมือไฟฟ้าทั่วไป

คำเตือน: โปรดอ่านคำเตือนด้านความปลอดภัย คำแนะนำ ภาพประกอบ และข้อมูลจำเพาะต่างๆ ที่หามากับเครื่องมือไฟฟ้านี้อย่างละเอียด การไม่ปฏิบัติตามคำแนะนำดังต่อไปนี้ อาจส่งผลให้เกิดไฟฟ้าช็อต ไฟไหม้ และ/หรือได้รับบาดเจ็บอย่างร้ายแรงได้

เก็บรักษาคำเตือนและคำแนะนำทั้งหมดไว้เป็นข้อมูลอ้างอิงในอนาคต

คำว่า “เครื่องมือไฟฟ้า” ในคำเตือนนี้หมายถึงเครื่องมือไฟฟ้า (มีสาย) ที่ทำงานโดยใช้กระแสไฟฟ้าหรือเครื่องมือไฟฟ้า (ไร้สาย) ที่ทำงานโดยใช้แบตเตอรี่

ความปลอดภัยของพื้นที่ทำงาน

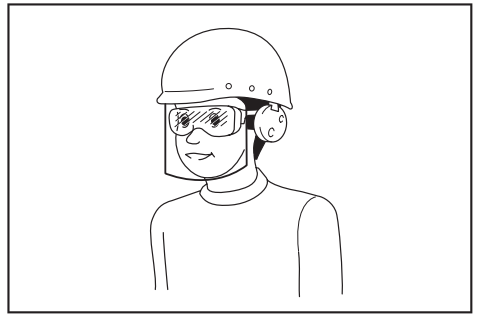
1. ดูแลพื้นที่ทำงานให้มีความสะอาดและมีแสงไฟสว่าง พื้นที่ที่กระเบื้องหรือมัตที่อาจนำไปสู่การเกิดอุบัติเหตุได้
2. อย่าใช้งานเครื่องมือไฟฟ้าในสภาพที่อาจเกิดการระเบิด เช่น ในสถานที่ที่มีของเหลว ก๊าซ หรือฝุ่นผงที่มีคุณสมบัติไวไฟ เครื่องมือไฟฟ้าอาจสร้างประกายไฟและจุดชนวนฝุ่นผงหรือก๊าซดังกล่าว
3. ดูแลไม่ให้มีเด็กๆ หรือบุคคลอื่นอยู่ในบริเวณที่กำลังใช้เครื่องมือไฟฟ้า การมีสิ่งรบกวนสมาธิอาจทำให้คุณสูญเสียการควบคุม

ความปลอดภัยด้านไฟฟ้า

1. ปลั๊กของเครื่องมือไฟฟ้าต้องพอดีกับเต้ารับ อย่าดัดแปลงปลั๊กไม่ว่ากรณีใดๆ อย่าใช้ปลั๊กอะแดปเตอร์กับเครื่องมือไฟฟ้าที่ต่อสายดิน ปลั๊กที่ไม่ถูกดัดแปลงและเต้ารับที่เข้ากันพอดีจะช่วยลดความเสี่ยงของการเกิดไฟฟ้าช็อต
2. ระมัดระวังอย่าให้ร่างกายสัมผัสกับพื้นผิวที่ต่อสายดิน เช่น ท่อ เครื่องนำความร้อน เต้าหุงต้ม และตู้เย็น มีความเสี่ยงที่จะเกิดไฟฟ้าช็อตสูงขึ้น หากร่างกายของคุณสัมผัสกับพื้น
3. อย่าให้เครื่องมือไฟฟ้าถูกน้ำหรืออยู่ในสภาพเปียกชื้น น้ำที่ไหลเข้าไปในเครื่องมือไฟฟ้าจะเพิ่มความเสี่ยงของการเกิดไฟฟ้าช็อต
4. อย่าใช้สายไฟอย่างไม่เหมาะสม อย่าใช้สายไฟเพื่อยก ดึง หรือถอดปลั๊กเครื่องมือไฟฟ้า เก็บสายไฟให้ห่างจากความร้อน น้ำมัน ของมีคม หรือชิ้นส่วนที่เคลื่อนที่ สายที่ชำรุดหรือพันกันจะเพิ่มความเสี่ยงของการเกิดไฟฟ้าช็อต
5. ขณะที่ใช้งานเครื่องมือไฟฟ้านอกอาคาร ควรใช้สายต่อพ่วงที่เหมาะสมกับงานภายนอกอาคาร การใช้สายที่เหมาะสมกับงานภายนอกอาคารจะลดความเสี่ยงของการเกิดไฟฟ้าช็อต
6. หากต้องใช้งานเครื่องมือไฟฟ้าในสถานที่เปียกชื้น ให้ใช้อุปกรณ์ป้องกันกระแสไฟรั่ว (RCD) การใช้ RCD จะลดความเสี่ยงของการเกิดไฟฟ้าช็อต
7. เครื่องมือไฟฟ้าอาจสร้างสนามแม่เหล็ก (EMF) ที่ไม่เป็นอันตรายต่อผู้ใช้ อย่างไรก็ตาม ผู้ใช้ที่ใส่เครื่องกระตุ้นหัวใจและอุปกรณ์ทางการแพทย์ที่คล้ายกันนี้ ควรติดต่อผู้ผลิตอุปกรณ์และ/หรือแพทย์เพื่อรับคำแนะนำก่อนใช้งานเครื่องมือไฟฟ้านี้

ความปลอดภัยส่วนบุคคล

1. ให้ระมัดระวังและมีสติอยู่เสมอขณะใช้งานเครื่องมือไฟฟ้า อย่าใช้งานเครื่องมือไฟฟ้าในขณะที่คุณกำลังเหนื่อย หรือในสภาพที่มึนเมาจากยาเสพติด เครื่องดื่ม แอลกอฮอล์ หรือการเข้ายา ช่วงเวลาที่ขาดความระมัดระวังเมื่อกำลังใช้งานเครื่องมือไฟฟ้าอาจทำให้ได้รับบาดเจ็บร้ายแรง
2. ใช้อุปกรณ์ป้องกันส่วนบุคคล สวมแว่นตาป้องกันเสมอ อุปกรณ์ป้องกัน เช่น หน้ากากกันฝุ่น รองเท้านิรภัย กันลื่น หมวกนิรภัย หรือเครื่องป้องกันการได้ยินที่ใช้ในสภาพที่เหมาะสมจะช่วยลดการบาดเจ็บ
3. ป้องกันไม่ให้เกิดการเปิดใช้งานโดยไม่ตั้งใจ ตรวจสอบให้แน่ใจว่าสวิตช์ปิดอยู่ก่อนที่จะเชื่อมต่อกับแหล่งจ่ายไฟ และ/หรือชุดแบตเตอรี่ รวมทั้งตรวจสอบก่อนการยกหรือเคลื่อนย้ายเครื่องมือ การถอดนิ้วมือบริเวณสวิตช์เพื่อถ่วงเครื่องมือไฟฟ้า หรือการชาร์จไฟเครื่องมือไฟฟ้าในขณะที่เปิดสวิตช์อยู่อาจนำไปสู่การเกิดอุบัติเหตุ
4. นำกุญแจปรับตั้งหรือประแจออกก่อนที่จะเปิดเครื่องมือไฟฟ้า ประแจหรือกุญแจที่เสียบค้างอยู่ในชิ้นส่วนที่หมุนได้ของเครื่องมือไฟฟ้าอาจทำให้ได้รับบาดเจ็บ
5. อย่าทำงานในระยงที่สุดอ้อม จัดท่าการยืนและการทรงตัวให้เหมาะสมตลอดเวลา เพราะจะทำให้ควบคุมเครื่องมือไฟฟ้าได้ดีขึ้นในสถานการณ์ที่ไม่คาดคิด
6. แต่งกายให้เหมาะสม อย่าสวมเครื่องแต่งกายที่หลวมเกินไป หรือสวมเครื่องประดับ ดูแลไม่ให้เส้นผมและเสื้อผ้าอยู่ใกล้ชิ้นส่วนที่เคลื่อนที่ เสื้อผ้ารุ่มร่าม เครื่องประดับ หรือผมที่มีความยาวอาจเข้าไปติดในชิ้นส่วนที่เคลื่อนที่
7. หากมีการจัดอุปกรณ์สำหรับดูดและจับฝุ่นไว้ในสถานที่ ให้ตรวจสอบว่าได้เชื่อมต่อและใช้งานอุปกรณ์นั้นอย่างเหมาะสม การใช้เครื่องดูดและจับฝุ่นจะช่วยลดอันตรายที่เกิดจากฝุ่นผงได้
8. อย่าให้ความดันเคຍจากการใช้งานเครื่องมือเป็นประจำทำให้คุณทำตัวตามสบายและละเลยหลักการเพื่อความปลอดภัยในการใช้เครื่องมือ การกระทำที่ไม่ระมัดระวังอาจทำให้เกิดการบาดเจ็บร้ายแรงภายในเสี้ยววินาที
9. สวมใส่แว่นครอบตานิรภัยเพื่อปกป้องดวงตาของคุณจากการบาดเจ็บเมื่อใช้เครื่องมือไฟฟ้า แว่นครอบตาจะต้องได้มาตรฐาน ANSI Z87.1 ในสหรัฐอเมริกา, EN 166 ในยุโรป หรือ AS/NZS 1336 ในออสเตรเลีย/นิวซีแลนด์ ในออสเตรเลีย/นิวซีแลนด์ จะต้องสวมเกราะป้องกันใบหน้าเพื่อปกป้องใบหน้าของคุณอย่างถูกต้องตามกฎหมายด้วย



ผู้ว่าจ้างมีหน้าที่รับผิดชอบในการบังคับผู้ใช้งานเครื่องมือและบุคคลอื่นๆ ที่อยู่ในบริเวณที่ปฏิบัติงานให้ใช้อุปกรณ์ป้องกันที่เหมาะสม

การใช้และดูแลเครื่องมือไฟฟ้า

1. อย่าฝืนใช้เครื่องมือไฟฟ้า ใช้เครื่องมือไฟฟ้าที่เหมาะสมกับการใช้งานของคุณ เครื่องมือไฟฟ้าที่เหมาะสมจะทำให้ได้งานที่มีประสิทธิภาพและปลอดภัยกว่าตามขีดความสามารถของเครื่องที่ได้รับการออกแบบมา
2. อย่าใช้เครื่องมือไฟฟ้า หากสวิตช์ไม่สามารถเปิดปิดได้ เครื่องมือไฟฟ้าที่ควบคุมด้วยสวิตช์ไม่ได้เป็นสิ่งอันตรายและต้องได้รับการซ่อมแซม
3. ถอดปลั๊กจากแหล่งจ่ายไฟ และ/หรือชุดแบตเตอรี่ออกจากเครื่องมือไฟฟ้าก่อนทำการปรับตั้ง เปลี่ยนอุปกรณ์เสริม หรือจัดเก็บเครื่องมือไฟฟ้า วิธีการป้องกันด้านความปลอดภัยดังกล่าวจะช่วยลดความเสี่ยงในการเปิดใช้งานเครื่องมือไฟฟ้าโดยไม่ตั้งใจ
4. จัดเก็บเครื่องมือไฟฟ้าที่ไม่ได้ใช้งานให้ห่างจากมือเด็ก และอย่าอนุญาตให้บุคคลที่ไม่คุ้นเคยกับเครื่องมือไฟฟ้าหรือคำแนะนำเหล่านี้ใช้งานเครื่องมือไฟฟ้า เครื่องมือไฟฟ้าจะเป็นอันตรายเมื่ออยู่ในมือของผู้ที่ไม่ได้รับการฝึกอบรม
5. บำรุงรักษาเครื่องมือไฟฟ้าและอุปกรณ์เสริม ตรวจสอบการประกอบที่ไม่ถูกต้องหรือการเชื่อมต่อของชิ้นส่วนที่เคลื่อนที่ การแตกหักของชิ้นส่วน หรือสภาพอื่นๆ ที่อาจส่งผลกระทบต่อการทำงานของเครื่องมือไฟฟ้า หากมีความเสียหายให้นำเครื่องมือไฟฟ้าไปซ่อมแซมก่อนการใช้งาน อุบัติเหตุจำนวนมากเกิดจากการดูแลรักษาเครื่องมือไฟฟ้าอย่างไม่ถูกต้อง
6. ทำความสะอาดเครื่องมือตัดและลับให้คมอยู่เสมอ เครื่องมือการตัดที่มีการดูแลอย่างถูกต้องและมีขอบการตัดคมมักจะมีปัญหาตัดชิ้นน้อยและควบคุมได้ง่ายกว่า

- ใช้เครื่องมือไฟฟ้า อุปกรณ์เสริม และวัสดุสิ้นเปลือง ฯลฯ ตามคำแนะนำดังกล่าว พิจารณาสภาพการทำงานและงานที่จะลงมือทำ การใช้เครื่องมือไฟฟ้าเพื่อทำงานอื่นนอกเหนือจากที่กำหนดไว้อาจทำให้เกิดอันตราย
- ดูแลมือจับและบริเวณมือจับให้แห้ง สะอาด และไม่มีความชื้นและจาระบีเปื้อน มือจับและบริเวณมือจับที่ชื้นจะทำให้ไม่สามารถจับและควบคุมเครื่องมือได้อย่างปลอดภัยในสถานการณ์ที่ไม่คาดคิด
- ขณะใช้งานเครื่องมือ อย่าสวมใส่ถุงมือผ้าที่อาจเข้าไปติดในเครื่องมือได้ หากถุงมือผ้าเข้าไปติดในชิ้นส่วนที่กำลังเคลื่อนที่อยู่อาจทำให้ได้รับบาดเจ็บ

การใช้งานและดูแลเครื่องมือที่ใช้แบตเตอรี่

- ชาร์จไฟใหม่ด้วยเครื่องชาร์จที่ระบุโดยผู้ผลิตเท่านั้น เครื่องชาร์จที่เหมาะสมสำหรับชุดแบตเตอรี่ประเภทหนึ่งอาจเสี่ยงที่จะเกิดไฟไหม้หากนำไปใช้กับชุดแบตเตอรี่อีกประเภทหนึ่ง
- ใช้เครื่องมือไฟฟ้ากับชุดแบตเตอรี่ที่กำหนดมาโดยเฉพาะเท่านั้น การใช้ชุดแบตเตอรี่ประเภทอื่นอาจทำให้เสี่ยงที่จะได้รับบาดเจ็บและเกิดไฟไหม้
- เมื่อไม่ใช้งานชุดแบตเตอรี่ ให้เก็บห่างจากวัตถุที่เป็นโลหะอื่นๆ เช่น คลิปหนีบกระดาษ เหรียญ กุญแจ กรรไกรตัดเล็บ สกรู หรือวัตถุที่เป็นโลหะขนาดเล็กอื่นๆ ที่สามารถเชื่อมต่อชั่วคราวกับอีกขั้วหนึ่งได้ การลัดวงจรขั้วแบตเตอรี่อาจทำให้ร้อนจัดหรือเกิดไฟไหม้
- ในกรณีที่ใช้งานไม่ถูกต้อง อาจมีของเหลวไหลออกจากแบตเตอรี่ ให้หลีกเลี่ยงการสัมผัส หากสัมผัสโดนของเหลวโดยไม่ตั้งใจ ให้ล้างออกด้วยน้ำ หากของเหลวกระเด็นเข้าตา ให้รีบไปพบแพทย์ ของเหลวที่ไหลออกจากแบตเตอรี่อาจทำให้ผิวหนังระคายเคืองหรือไหม้
- ห้ามใช้ชุดแบตเตอรี่หรือเครื่องมือที่ชำรุดหรือมีการแก้ไข แบตเตอรี่ที่เสียหายหรือมีการแก้ไขอาจทำให้เกิดสิ่งที่ไม่พึงประสงค์ได้ เช่น ไฟไหม้ ระเบิด หรือเสี่ยงต่อการบาดเจ็บ
- ห้ามใช้ชุดแบตเตอรี่อยู่ใกล้ไฟ หรือบริเวณที่มีอุณหภูมิสูงเกิน หากโดนไฟ หรืออุณหภูมิสูงเกิน 130 °C อาจก่อให้เกิดการระเบิดได้
- กรุณาปฏิบัติตามคำแนะนำสำหรับการชาร์จไฟ และห้ามชาร์จแบตเตอรี่หรือเครื่องมือในบริเวณที่มีอุณหภูมิออกเหนือไปจากที่ระบุในคำแนะนำ การชาร์จไฟที่ไม่เหมาะสม หรืออุณหภูมิออกเหนือไปจากช่วงอุณหภูมิที่ระบุในคำแนะนำอาจทำให้แบตเตอรี่เสียหายและเป็นการเพิ่มความเสี่ยงในการเกิดไฟไหม้

การซ่อมบำรุง

- นำเครื่องมือไฟฟ้าเข้ารับบริการจากช่างซ่อมที่ผ่านการรับรองโดยใช้อะไหล่แบบเดียวกันเท่านั้น เพราะจะทำให้การใช้เครื่องมือไฟฟ้ามีความปลอดภัย
- ห้ามใช้ชุดแบตเตอรี่ที่เสียหาย ชุดแบตเตอรี่ที่ใช้ควรเป็นชุดที่มาจากผู้ผลิต หรือผู้ให้บริการที่ได้รับอนุญาตเท่านั้น
- ปฏิบัติตามคำแนะนำในการหล่อลื่นและการเปลี่ยนอุปกรณ์เสริม

คำเตือนด้านความปลอดภัยของประแจกระแทกแบบไร้สาย

- ถือเครื่องมือไฟฟ้าบริเวณมือจับที่เป็นฉนวนขณะทำงานที่สายรัดอาจสัมผัสกับสายไฟที่ซ่อนอยู่ สายรัดที่สัมผัสกับสายไฟที่ "มีกระแสไฟฟ้าไหลผ่าน" อาจทำให้ส่วนที่เป็นโลหะของเครื่องมือไฟฟ้าที่ไม่มีฉนวนหุ้ม "มีกระแสไฟฟ้าไหลผ่าน" และทำให้ผู้ปฏิบัติงานถูกไฟฟ้าช็อตได้
- สวมใส่อุปกรณ์ป้องกันเสียง
- ตรวจสอบหัวบ็อกซ์กระแทกว่ามีการบั่น ฉีกขาด หรือความเสียหายหรือไม่ก่อนการติดตั้ง
- จับเครื่องมือให้แน่น
- ระวังอย่าให้มือสัมผัสกับชิ้นส่วนที่หมุนได้
- อย่าสัมผัสกับหัวบ็อกซ์กระแทก สลักเกลียว น็อต หรือชิ้นงานทันทีที่ทำงานเสร็จ เนื่องจากอาจมีความร้อนสูงและลวกผิวหนังของคุณได้
- ตรวจสอบให้แน่ใจว่าได้ยึดอย่างมั่นคง หากใช้งานเครื่องมือในพื้นที่สูง ระวังอย่าให้มันอยู่ด้านล่าง
- แรงบิดที่เหมาะสมในการใช้งานอาจแตกต่างกันไปตามขนาดและชนิดของน็อต ควรตรวจสอบแรงบิดที่เหมาะสมด้วยประแจวัดแรงบิด
- ตรวจสอบให้แน่ใจว่าไม่มีสายไฟ ท่อส่งน้ำ ท่อส่งก๊าซ และอื่นๆ ซึ่งอาจก่อให้เกิดอันตรายหากเสียหาย เนื่องจากการใช้งานเครื่องมือนี้

ปฏิบัติตามคำแนะนำเหล่านี้

⚠ คำเตือน: อย่าให้ความไม่ระมัดระวังหรือความคุ้นเคยกับผลิตภัณฑ์ (จากการใช้งานซ้ำหลายครั้ง) อยู่เหนือการปฏิบัติตามกฎเกณฑ์ด้านความปลอดภัยในการใช้งานผลิตภัณฑ์อย่างเคร่งครัด

การใช้งานอย่างไม่เหมาะสมหรือการไม่ปฏิบัติตามกฎเกณฑ์ด้านความปลอดภัยในคู่มือการใช้งานนี้อาจทำให้ได้รับบาดเจ็บรุนแรง

คำแนะนำเพื่อความปลอดภัยที่สำคัญสำหรับ ดัลล์แบตเตอรี่

1. ก่อนใช้งานดัลล์แบตเตอรี่ให้อ่านคำแนะนำและ
เครื่องหมายเตือนทั้งหมดบน (1) เครื่องชาร์จ
แบตเตอรี่ (2) แบตเตอรี่ และ (3) ตัวผลิตภัณฑ์ที่ใช้
แบตเตอรี่
2. อย่าถอดแยกชิ้นส่วนหรือทำการดัดแปลงดัลล์
แบตเตอรี่ เนื่องจากอาจทำให้เกิดไฟไหม้ ความร้อนที่
สูงเกินไป หรือระเบิดได้
3. หากระยะเวลาที่เครื่องทำงานสั้นเกินไป ให้หยุดใช้งาน
ทันที เนื่องจากอาจมีความเสี่ยงที่จะร้อนจัด ไหม้หรือ
ระเบิดได้
4. หากสารละลายอิเล็กโทรไลต์กระเด็นเข้าตา ให้ล้าง
ออกด้วยน้ำเปล่าและรีบไปพบแพทย์ทันที เนื่องจาก
อาจทำให้ตาบอด
5. ห้ามดวงจรวดดัลล์แบตเตอรี่:
 - (1) ห้ามแตะขั้วกับวัตถุที่เป็นสื่อไฟฟ้าใดๆ
 - (2) หลีกเลี่ยงการเก็บดัลล์แบตเตอรี่ไว้ในภาชนะร่วมกับวัตถุที่เป็นโลหะ เช่น กรรไกรตัดเล็บ เหรียญ
 ฯลฯ
 - (3) อย่าให้ดัลล์แบตเตอรี่ถูกน้ำหรือฝน
 แบตเตอรี่ลัดวงจรอาจทำให้เกิดการไหลของกระแส
 ไฟฟ้า ร้อนจัด ไหม้หรือเสียหายได้
6. ห้ามเก็บและใช้เครื่องมือและดัลล์แบตเตอรี่ไว้ในสถานที่
ที่มีอุณหภูมิสูงถึงหรือเกิน 50 °C (122 °F)
7. ห้ามเผาดัลล์แบตเตอรี่ทิ้ง แม้ว่าแบตเตอรี่จะเสียหาย
จนใช้การไม่ได้หรือเสื่อมสภาพแล้ว ดัลล์แบตเตอรี่
อาจจะระเบิดในกองไฟ
8. อย่าตอกตะปู ตัด บด ขว้าง หรือทำดัลล์แบตเตอรี่
หล่นพื้น หรือกระแทกดัลล์แบตเตอรี่กับวัตถุของแข็ง
 การกระทำดังกล่าวอาจส่งผลให้เกิดไฟไหม้ ความร้อน
 ที่สูงเกินไป หรือระเบิดได้
9. ห้ามใช้แบตเตอรี่ที่เสียหาย
10. แบตเตอรี่ลิเทียมไอออนที่มีมาให้ในนั้นเป็นไปตามข้อ
 กำหนดของ Dangerous Goods Legislation
 สำหรับการขนส่งเพื่อการพาณิชย์ เช่น โดยบุคคลที่
 สาม ตัวแทนขนส่งสินค้า จะต้องตรวจสอบข้อกำหนด
 พิเศษในด้านการบรรจุหีบห่อหรือการติดป้ายสินค้า
 ในการเตรียมสินค้าที่จะขนส่ง ให้ปรึกษาผู้เชี่ยวชาญ
 ด้านวัตถุอันตราย โปรดตรวจสอบข้อกำหนดใน
 ประเทศที่อาจมีรายละเอียดอื่นๆ เพิ่มเติม
 ให้ติดแถบหรือปิดหน้าสัมผัสและห่อแบตเตอรี่ใน
 ลักษณะที่แบตเตอรี่จะไม่เคลื่อนที่ไปมาในหีบห่อ

11. เมื่อกำจัดดัลล์แบตเตอรี่ ให้ถอดดัลล์แบตเตอรี่ออก
 จากเครื่องมือและกำจัดในสถานที่ที่ปลอดภัย ปฏิบัติ
 ตามข้อบังคับในท้องถิ่นเกี่ยวกับการกำจัดแบตเตอรี่
12. ใช้แบตเตอรี่กับผลิตภัณฑ์ที่ระบุโดย Makita เท่านั้น
 การติดตั้งแบตเตอรี่ในผลิตภัณฑ์ที่ไม่ใช่ตามที่ระบุอาจ
 ทำให้เกิดไฟไหม้ ความร้อนสูง ระเบิด หรืออิเล็กโทร
ไลต์รั่วไหลได้
13. หากไม่ใช่เครื่องมือเป็นระยะเวลานาน จะต้องถอด
 แบตเตอรี่ออกจากเครื่องมือ
14. ในระหว่างและหลังการใช้งาน ดัลล์แบตเตอรี่อาจร้อน
 ซึ่งอาจลวกผิวหรือทำให้ผิวไหม้ที่อุณหภูมิเท่าได้ โปรด
 ระมัดระวังในการจัดการกับแบตเตอรี่ที่ร้อน
15. อย่าสัมผัสขั้วของเครื่องมือทันทีหลังจากการใช้งาน
 เนื่องจากอาจมีความร้อนพอที่จะทำให้ผิวไหม้ได้
16. อย่าปล่อยให้เศษวัสดุ ฝุ่นผง หรือดินเข้าไปติดอยู่ใน
 ขั้ว รู และร่องของดัลล์แบตเตอรี่ เนื่องจากอาจทำให้
 เครื่องมือหรือดัลล์แบตเตอรี่มีประสิทธิภาพลดลงหรือ
 เสียหายได้
17. หากเครื่องมือไม่รองรับสายไฟแรงดันสูง อย่าใช้ดัลล์
 แบตเตอรี่ใกล้กับสายไฟแรงดันสูง เนื่องจากเครื่องมือ
 หรือดัลล์แบตเตอรี่อาจทำงานผิดปกติหรือเสียหายได้
18. เก็บแบตเตอรี่ให้ห่างจากเด็ก

ปฏิบัติตามคำแนะนำเหล่านี้

⚠ ข้อควรระวัง: ใช้แบตเตอรี่ของแท้จาก Makita เท่านั้น
 การใช้แบตเตอรี่ Makita ที่ไม่แท้ หรือแบตเตอรี่ที่ถูก
 เปลี่ยน อาจทำให้แบตเตอรี่ระเบิด ก่อให้เกิดเพลิงลุกไหม้
 การบาดเจ็บ และความเสียหายได้ และจะทำให้การรับ
 ประกันของ Makita สำหรับเครื่องมือและแท่นชาร์จของ
 Makita เป็นโมฆะด้วย

เคล็ดลับในการรักษาอายุการใช้งานของ แบตเตอรี่ให้ยาวนานที่สุด

1. ชาร์จดัลล์แบตเตอรี่ก่อนที่ไฟจะหมด หยุดการใช้
 งานแล้วชาร์จประจุไฟฟ้าใหม่ทุกครั้งเมื่อคุณรู้สึกว่า
 อุปกรณ์มีกำลังลดลง
2. อย่าชาร์จดัลล์แบตเตอรี่ที่มีไฟเต็มแล้ว การชาร์จ
 ประจุไฟฟ้ามากเกินไปอาจจะทำให้อายุการใช้งานของ
 ดัลล์แบตเตอรี่สั้นลง
3. ชาร์จประจุไฟฟ้าดัลล์แบตเตอรี่ในห้องที่มีอุณหภูมิ
 ระหว่าง 10 °C - 40 °C ปล่อยให้ดัลล์แบตเตอรี่เย็น
 ลงก่อนที่จะชาร์จไฟ
4. เมื่อไม่ใช่ดัลล์แบตเตอรี่ ให้ถอดออกจากเครื่องมือหรือ
 เครื่องชาร์จ

5. ชาร์จไฟตลับแบตเตอรี่ของคุณไม่ต้องการใช้เป็นเวลา นาน (เกินกว่าหกเดือน)

คำอธิบายการทำงาน

⚠ ข้อควรระวัง: ตรวจสอบให้แน่ใจว่าได้ปิดสวิตช์เครื่องมือและถอดตลับแบตเตอรี่ออกก่อนปรับตั้งหรือตรวจสอบการทำงานของเครื่องมือ

การใส่หรือการถอดตลับแบตเตอรี่

⚠ ข้อควรระวัง: ปิดสวิตช์เครื่องมือก่อนทำการติดตั้งหรือการถอดตลับแบตเตอรี่ทุกครั้ง

⚠ ข้อควรระวัง: ถอดเครื่องมือและตลับแบตเตอรี่ให้แน่นในระหว่างการติดตั้งหรือการถอดตลับแบตเตอรี่ หากไม่ถึงเครื่องมือและตลับแบตเตอรี่ให้แน่น อาจทำให้ตลับแบตเตอรี่และเครื่องมือลื่นหลุดมือ และทำให้เครื่องมือและตลับแบตเตอรี่เสียหายหรือได้รับบาดเจ็บได้

- **หมายเลข 1:** ซิลลี่แดง 2. ปุ่ม 3. ตลับแบตเตอรี่

เมื่อต้องการถอดตลับแบตเตอรี่ ให้เลื่อนปุ่มที่ด้านหน้าของตลับแล้วดึงออกจากเครื่องมือ

การติดตั้งตลับแบตเตอรี่ ให้จัดตำแหน่งลิ้นของตลับแบตเตอรี่ให้ตรงกับร่องของเครื่อง แล้วเลื่อนเข้าที่ใส่ตลับแบตเตอรี่เข้าจนสุดจนกระทั่งได้ยินเสียงคลิกล็อคเข้าที่ หากยังเห็นซิลลี่แดงตามที่แสดงในภาพ แสดงว่าตลับแบตเตอรี่ยังไม่ล็อคเข้าที่

⚠ ข้อควรระวัง: ให้ดันตลับแบตเตอรี่เข้าจนสุดจนไม่เห็นซิลลี่แดงอีก ไม่เช่นนั้น ตลับแบตเตอรี่อาจหลุดออกจากเครื่องมือทำให้คุณหรือคนรอบข้างได้รับบาดเจ็บ

⚠ ข้อควรระวัง: อย่าฝืนติดตั้งตลับแบตเตอรี่โดยใช้แรงมากเกินไป หากตลับแบตเตอรี่ไม่เลื่อนเข้าไปโดยง่าย แสดงว่าใส่ไม่ถูกต้อง

ระบบป้องกันเครื่องมือ/แบตเตอรี่

เครื่องมือมีระบบป้องกันเครื่องมือ/แบตเตอรี่ ระบบนี้จะตัดไฟที่ส่งไปยังมอเตอร์โดยอัตโนมัติเพื่อหยุดการใช้งานเครื่องมือและแบตเตอรี่ เครื่องมือจะหยุดทำงานระหว่างการใช้งานโดยอัตโนมัติ หากเครื่องมือหรือแบตเตอรี่อยู่ภายใต้สถานการณ์ต่อไปนี้

การป้องกันโอเวอร์โหลต

เมื่อแบตเตอรี่ทำงานในรูปแบบที่อาจจะดึงพลังงานไฟฟ้าสูงเกินไป เครื่องมือจะหยุดโดยอัตโนมัติโดยไม่มีการแจ้งเตือนใดๆ ในกรณีนี้ ให้ปิดเครื่องมือและหยุดการใช้งานในลักษณะที่อาจทำให้เครื่องมือทำงานหนักเกินไป แล้วเปิดเครื่องมือเพื่อเริ่มทำงานอีกครั้ง

การป้องกันความร้อนสูงเกิน

เมื่อเครื่องมือ/แบตเตอรี่ร้อนเกินไป เครื่องมือจะหยุดโดยอัตโนมัติ ในกรณีนี้ ปล่อยให้เครื่องมือ/แบตเตอรี่เย็นลงก่อนที่จะเปิดเครื่องมืออีกครั้ง

การป้องกันไฟหมด

เมื่อแบตเตอรี่มีระดับพลังงานไม่เพียงพอ เครื่องมือจะหยุดโดยอัตโนมัติ ในกรณีนี้ ให้ถอดแบตเตอรี่ออกจากเครื่องมือและนำแบตเตอรี่ไปชาร์จไฟ

ตรวจสอบความจุแบตเตอรี่ที่เหลือ (BL1460A)

- **หมายเลข 2:** 1. ไฟแสดงสถานะ 2. ปุ่มตรวจสอบ

หมายเหตุ: ขึ้นอยู่กับสภาพการใช้งานและอุณหภูมิ โดยรอบ การแสดงสถานะอาจจะแตกต่างจากปริมาณแบตเตอรี่จริงเล็กน้อย

ขณะชาร์จไฟ

ขณะที่เริ่มชาร์จไฟ ดวงไฟบอกระดับไฟดวงแรก (ด้านซ้ายสุด) จะเริ่มกะพริบ หลังจากนั้น ในขณะชาร์จไฟ ดวงไฟบอกระดับไฟจะค่อยๆ สว่างขึ้นทีละดวงเพื่อแสดงความจุแบตเตอรี่

หมายเหตุ: หากไฟแสดงสถานะไม่สว่างขึ้น หรือไม่กะพริบขณะกำลังชาร์จ อาจเกิดจากแบตเตอรี่ชำรุด ในกรณีนี้ ให้สอบถามศูนย์บริการในประเทศของคุณ

ขณะที่ใช้งาน

เมื่อเปิดสวิตช์เครื่องมือ ดวงไฟบอกระดับไฟจะแสดงความจุแบตเตอรี่ที่เหลืออยู่ เมื่อปิดสวิตช์เครื่องมือ ไฟจะดับลงหลังจากเวลาผ่านไปประมาณ 5 วินาที

เมื่อกดปุ่มตรวจสอบในขณะที่เครื่องมือปิดสวิตช์อยู่ ไฟแสดงสถานะจะสว่างขึ้นประมาณ 5 วินาทีเพื่อแสดงความจุแบตเตอรี่

ถ้าดวงไฟสี่สีกะพริบ เครื่องมือจะหยุดทำงานเนื่องจากความจุแบตเตอรี่เหลือน้อย (กลไกหยุดทำงานอัตโนมัติ) ในกรณีนี้ ให้ชาร์จตลับแบตเตอรี่ หรือใช้ตลับแบตเตอรี่ที่ชาร์จไฟไว้แล้ว

หากใช้เครื่องมือกับแบตเตอรี่ที่ไม่ได้ใช้งานมาเป็นระยะเวลานาน เมื่อเปิดสวิตช์ ดวงไฟอาจไม่สว่างขึ้น ในกรณีนี้ เครื่องมือจะหยุดทำงานเนื่องจากความจุแบตเตอรี่เหลือน้อย ชาร์จแบตเตอรี่ให้ถูกต้อง

การทำงานของสวิตช์

▶ **หมายเลข 3:** 1. สวิตช์สั่งงาน

⚠ ข้อควรระวัง: ก่อนใส่ด้ามแบตเตอรี่ลงในเครื่องมือ ให้ตรวจสอบว่าสวิตช์สั่งงานสามารถทำงานได้อย่างถูกต้อง และกลับไปยังตำแหน่ง "ปิด" เมื่อปล่อย

เมื่อต้องการเปิดใช้เครื่องมือ ให้ดึงสวิตช์สั่งงาน ความเร็วเครื่องมือจะเพิ่มขึ้นเมื่อออกแรงกดที่สวิตช์สั่งงาน ปล่อยสวิตช์สั่งงานเพื่อหยุดทำงาน

หมายเหตุ: เครื่องมือจะหยุดทำงานโดยอัตโนมัติหากคุณดึงสวิตช์สั่งงานไว้นานเกิน 3 นาที

การเปิดดวงไฟด้านหลัง

▶ **หมายเลข 4:** 1. ดวงไฟ

⚠ ข้อควรระวัง: อย่ามองเข้าไปในดวงไฟหรือจ้องดูแหล่งกำเนิดแสงโดยตรง

ดึงสวิตช์สั่งงานเพื่อเปิดไฟ ดวงไฟจะดับลงเมื่อปล่อยสวิตช์สั่งงาน ดวงไฟจะดับลงภายในเวลาประมาณ 10 วินาทีหลังจากปล่อยสวิตช์สั่งงาน

หมายเหตุ: ใช้ผ้าแห้งเพื่อเช็ดสิ่งสกปรกออกจากเลนส์ของดวงไฟ ระวังอย่าขีดข่วนเลนส์ของดวงไฟ ไม่นั่นนั้น อาจทำให้ส่องสว่างได้น้อยลง

การใช้งานสวิตช์เปลี่ยนทิศทาง

▶ **หมายเลข 5:** 1. ก้านสวิตช์เปลี่ยนทิศทาง

⚠ ข้อควรระวัง: ตรวจสอบทิศทางการหมุนก่อนการใช้งานเสมอ

⚠ ข้อควรระวัง: ใช้สวิตช์เปลี่ยนทิศทางหลังจากเครื่องมือหยุดสนิทแล้วเท่านั้น การเปลี่ยนทิศทางการหมุนก่อนเครื่องมือหยุดสนิทอาจทำให้เครื่องมือเสียหายได้

⚠ ข้อควรระวัง: เมื่อไม่ได้ใช้งานเครื่องมือ ให้เลื่อนก้านสวิตช์เปลี่ยนทิศทางไปที่ตำแหน่งปกติเสมอ

เครื่องมือนี้มีสวิตช์เปลี่ยนทิศทาง เพื่อใช้เปลี่ยนทิศทางการหมุน ดันก้านสวิตช์เปลี่ยนทิศทางจากด้าน A เพื่อให้หมุนตามเข็มนาฬิกา หรือจากด้าน B เพื่อให้หมุนทวนเข็มนาฬิกา

เมื่อก้านสวิตช์เปลี่ยนทิศทางอยู่ในตำแหน่งปกติ สวิตช์สั่งงานจะไม่สามารถดึงได้

การเปลี่ยนการตั้งค่าพารามิเตอร์ในคอมพิวเตอร์

คุณสามารถกำหนดการตั้งค่ารายละเอียดของเครื่องมือด้วยซอฟต์แวร์ยุค "Makita Industry Tool Settings" ติดตั้งซอฟต์แวร์ยุคถึงบนคอมพิวเตอร์ และเชื่อมต่อเครื่องมือกับคอมพิวเตอร์ด้วยสาย USB

ดูคู่มือการใช้งานของ "Makita Industry Tool Settings" สำหรับรายละเอียดเกี่ยวกับการกำหนดค่า

▶ **หมายเลข 6:** 1. พอร์ต USB 2. ฝาปิด USB 3. สาย USB

ข้อสังเกต: ตรวจสอบให้แน่ใจว่า ฝาปิด USB ปิดอยู่ขณะทำการซึ้นแน่น

หมายเหตุ: เมื่อก้านสวิตช์เปลี่ยนทิศทางถูกเลือกให้เป็นการหมุนตามเข็มนาฬิกา ตัวบ่งชี้จะแสดงการตั้งค่าการหมุนตามเข็มนาฬิกา

เมื่อก้านสวิตช์เปลี่ยนทิศทางถูกเลือกให้เป็นการหมุนทวนเข็มนาฬิกา ตัวบ่งชี้จะแสดงการตั้งค่าการหมุนทวนเข็มนาฬิกา

หมายเหตุ: ใช้ตัวเลขที่ตั้งค่าล่วงหน้าเพื่อเป็นแนวทางเพื่อให้ได้แรงบิดขั้นแน่นที่เหมาะสม จำนวนครั้งการกระแทกจะเปลี่ยนแปลงโดยอัตโนมัติตามความจุแบตเตอรี่ที่เหลืออยู่

หมายเหตุ: ใช้สาย USB ของแท้จาก Makita เพื่อเชื่อมต่อคอมพิวเตอร์ของคุณเข้ากับเครื่องมือ โปรดอ้างอิงส่วน "ข้อมูลจำเพาะ"

หมายเหตุ: สำหรับซอฟต์แวร์ยุค กรุณาติดต่อตัวแทนจำหน่าย Makita

การเปลี่ยนการตั้งค่าพารามิเตอร์ในเครื่องมือ (โหมดการตั้งค่าฟิลต์)

ข้อสังเกต: พังค์ชันนี้มาพร้อมค่าเริ่มต้น หากคุณได้ปิดใช้งานโหมดการตั้งค่าฟิลต์บนคอมพิวเตอร์ ให้ไปเปิดใช้งานพังค์ชันนี้ก่อน ดูคู่มือการใช้งานของ "Makita Industry Tool Settings" สำหรับวิธีการกำหนดค่า

ข้อสังเกต: หากปิดใช้งานโหมดการตั้งค่าฟิลต์ จะไม่สามารถทำการตั้งค่าบนเครื่องมือได้ เมื่อคุณกดปุ่มตั้งค่า ค่าที่ตั้งบนเครื่องมือจะแสดงตามลำดับ

ตัวเลขการตั้งค่าปัจจุบันจะปรากฏบนตัวบ่งชี้

ทุกครั้งที่คุณกดปุ่มตั้งค่า ตัวบ่งชี้จะแสดงระดับแรงบิด ระดับรันดาวน์ และระยะเวลาที่สามารถทำงานได้ และ "Ad"

► หมายเลข 7: 1. ปุ่มตั้งค่า 2. ตัวบ่งชี้

คุณสามารถเปลี่ยนการตั้งค่าพารามิเตอร์ต่อไปนี้บนเครื่องมือของคุณ

- การตั้งค่าหยุดอัตโนมัติ / โหมดฟรี

รายการการตั้งค่า	แสดงบนตัวบ่งชี้	คำอธิบาย
ระดับแรงบิด	01 - 40 FF OP	ระดับแรงบิดที่โหมดหยุดอัตโนมัติทำงาน
ระดับรันดาวน์	L1 - L7 OP	ความไวต่อการขันแน่น
ระยะเวลาที่สามารถทำงานได้	Lo: 0.1 - 9.9 HI: 0.1 - 9.9 --	ระยะเวลาที่สั้นที่สุด/ยาวที่สุดของการหมุนเมื่อคุณกดสวิตช์สั่งงาน

ข้อสังเกต: หาก "OP" (โหมดหยุดคลายอัตโนมัติ) ปรากฏขึ้นบนตัวบ่งชี้ จะไม่สามารถตั้งค่าระดับแรงบิดและตั้งค่าระดับรันดาวน์ได้ ในกรณีนี้ ให้เปลี่ยนโหมดเป็นโหมดหยุดอัตโนมัติ แล้วตั้งค่าระดับแรงบิดและระดับรันดาวน์บนคอมพิวเตอร์โดยใช้ "Makita Industry Tool Settings"

การเปลี่ยนระดับแรงบิด

เมื่อเปลี่ยนระดับแรงบิดจาก 23 เป็น 34

► หมายเลข 8

1. กดปุ่มตั้งค่าหลายครั้งจนกระทั่งตัวบ่งชี้แสดงตัวเลข 2 หลัก ซึ่งหมายถึงการตั้งค่าปัจจุบันของระดับแรงบิด
2. กดปุ่มการตั้งค่าค้างไว้จนกระทั่งตัวเลขในตำแหน่งหลักสิบเริ่มกะพริบ
3. ตั้งค่าตัวเลขในหลักสิบโดยกดปุ่มตั้งคำสั่งฯ ทุกครั้งที่คุณกดปุ่มตั้งค่า ตัวบ่งชี้จะแสดงตัวเลขจาก "0" ถึง "4" และ "F" แล้ววนกลับ
4. กดปุ่มการตั้งค่าค้างไว้จนกระทั่งตัวเลขในตำแหน่งหลักหน่วยเริ่มกะพริบ
5. ตั้งค่าตัวเลขในหลักหน่วยโดยกดปุ่มตั้งคำสั่งฯ ทุกครั้งที่คุณกดปุ่มตั้งค่า ตัวบ่งชี้จะแสดงตัวเลขจาก "0" ถึง "9" และ "F" แล้ววนกลับ
6. กดปุ่มตั้งค่าค้างไว้สักครู่

หมายเหตุ: หากคุณไม่แน่ใจว่าระดับแรงบิดใดที่เหมาะสมกับงานของคุณ ให้ตั้งค่า "FF" เพื่อให้เครื่องมือทำงานในโหมดฟรี

หมายเหตุ: หากคุณป้อน "00" แล้ว "FF" จะปรากฏแทนที่ "00"

การเปลี่ยนระดับรันดาวน์

เมื่อเปลี่ยนระดับรันดาวน์จาก L1 เป็น L2

► หมายเลข 9

1. กดปุ่มตั้งค่าหลายครั้งจนกระทั่งตัวบ่งชี้แสดงตัวอักษร 2 ตัว ขึ้นต้นด้วย "L" และตามด้วยตัวเลข ซึ่งมาจากการตั้งค่าปัจจุบันของระดับรันดาวน์
2. กดปุ่มการตั้งค่าค้างไว้จนกระทั่งตัวบ่งชี้เริ่มกะพริบ
3. การตั้งค่าระดับรันดาวน์ ทุกครั้งที่คุณกดปุ่มตั้งค่า ตัวบ่งชี้จะแสดงตั้งแต่ "L1" ถึง "L7" แล้ววนกลับ ระดับรันดาวน์ต่ำสุดคือ "L1" และสูงสุดคือ "L7"
4. กดปุ่มตั้งค่าค้างไว้สักครู่

การเปลี่ยนระยะเวลาที่สั้นที่สุดที่สามารถทำงานได้

เมื่อเปลี่ยนระยะเวลาที่สั้นที่สุดที่สามารถทำงานได้จาก 2.5 เป็น 3.6

► หมายเลข 10

1. กดปุ่มตั้งค่าหลายๆ ครั้งจนกระทั่งตัวบ่งชี้ขึ้น "Lo" และตัวเลขสลับกัน ซึ่งมาจากการตั้งค่าปัจจุบันของระยะเวลาที่สั้นที่สุดที่สามารถทำงานได้
2. กดปุ่มการตั้งค่าค้างไว้จนกระทั่งตัวเลขในตำแหน่งหลักหน่วยเริ่มกะพริบ
3. ตั้งค่าตัวเลขในหลักหน่วยโดยกดปุ่มตั้งค่าสั้นๆ ทุกครั้งที่คุณกดปุ่มตั้งค่า ตัวบ่งชี้จะแสดงตัวเลขจาก "0" ถึง "9" แล้ววนกลับ
4. กดปุ่มตั้งค่าค้างไว้จนกระทั่งตัวเลขในตำแหน่งทศนิยมเริ่มกะพริบ
5. ตั้งค่าตัวเลขในตำแหน่งทศนิยมโดยกดปุ่มตั้งค่าสั้นๆ ทุกครั้งที่คุณกดปุ่มตั้งค่า ตัวบ่งชี้จะแสดงตัวเลขจาก "0" ถึง "9" แล้ววนกลับ
6. กดปุ่มตั้งค่าค้างไว้สักครู่

หมายเหตุ: เมื่อคุณตั้งค่าระยะเวลาที่สั้นที่สุดที่สามารถทำงานได้น้อยกว่า "0.1" ตัวบ่งชี้จะแสดง "-." และระยะเวลาที่สั้นที่สุดที่สามารถทำงานได้จะถูกปิดใช้งาน ในการป้อน "-." ให้ตั้งค่าเป็น "0.9" แล้วกดปุ่มตั้งค่าเมื่อเลขในหลักหน่วยกะพริบ

การเปลี่ยนระยะเวลาที่ยาวที่สุดที่สามารถทำงานได้

เมื่อเปลี่ยนระยะเวลาที่ยาวที่สุดที่สามารถทำงานได้จาก 2.5 เป็น 3.6

► หมายเลข 11

1. กดปุ่มตั้งค่าหลายๆ ครั้งจนกระทั่งตัวบ่งชี้ขึ้น "Hi" และตัวเลขสลับกัน ซึ่งมาจากการตั้งค่าปัจจุบันของระยะเวลาที่ยาวที่สุดที่สามารถทำงานได้
2. กดปุ่มการตั้งค่าค้างไว้จนกระทั่งตัวเลขในตำแหน่งหลักหน่วยเริ่มกะพริบ
3. ตั้งค่าตัวเลขในหลักหน่วยโดยกดปุ่มตั้งค่าสั้นๆ ทุกครั้งที่คุณกดปุ่มตั้งค่า ตัวบ่งชี้จะแสดงตัวเลขจาก "0" ถึง "9" แล้ววนกลับ
4. กดปุ่มตั้งค่าค้างไว้จนกระทั่งตัวเลขในตำแหน่งทศนิยมเริ่มกะพริบ
5. ตั้งค่าตัวเลขในตำแหน่งทศนิยมโดยกดปุ่มตั้งค่าสั้นๆ ทุกครั้งที่คุณกดปุ่มตั้งค่า ตัวบ่งชี้จะแสดงตัวเลขจาก "0" ถึง "9" แล้ววนกลับ
6. กดปุ่มตั้งค่าค้างไว้สักครู่

หมายเหตุ: เมื่อคุณตั้งค่าระยะเวลาที่ยาวที่สุดที่สามารถทำงานได้มากกว่า "9.9" ตัวบ่งชี้จะแสดง "-." และระยะเวลาที่ยาวที่สุดที่สามารถทำงานได้จะถูกปิดใช้งาน ในการป้อน "-." ให้ตั้งค่าเป็น "9.9" แล้วกดปุ่มตั้งค่าเมื่อเลขในหลักหน่วยกะพริบ

การวัดการทำงานจริง (การวิเคราะห์ตนเอง)

ข้อสังเกต: ฟังก์ชันนี้มาพร้อมค่าเริ่มต้น หากคุณสามารถปิดใช้งานโหมดการตั้งค่าฟิลดบคอมพิวเตอร์ ให้ไปเปิดใช้งานฟังก์ชันนี้ก่อน ดูคู่มือการใช้งานของ “Makita Industry Tool Settings” สำหรับวิธีการกำหนดค่า

คุณสามารถวัดระดับแรงบิดและเวลาทำงานของการใช้งานจริงโดยการวัดเครื่องมือ การวัดระดับแรงบิดและเวลา สามารถใช้ในกรณีเช่น

- การทำซ้ำเทคนิคการควบคุมแรงบิดของคงานที่มีทักษะดีและ
- การอ้างอิงเวลาสำหรับการตั้งค่าช่วงเวลานั้นที่สั้นที่สุด/ยาวที่สุดที่สามารถทำงานได้

การวัดระดับแรงบิดและเวลาการทำงาน

1. กดปุ่มตั้งค่าหลายๆ ครั้งจนกระทั่ง “Ad.” ปรากฏขึ้นบนตัวบ่งชี้
2. กดปุ่มการตั้งค่าค้างไว้จนกระทั่งตัวบ่งชี้ขึ้น “Ch”
3. ดำเนินการทำงานที่คุณต้องการวัดเวลาทำงาน
 - หากคุณกำหนดค่าระดับแรงบิด ให้ใช้งานเครื่องมือจนกว่าจะหยุดในโหมดหยุดขั้นอัตโนมัติ
 - หากคุณไม่ได้กำหนดค่าระดับแรงบิด (โหมดฟรี) ให้ใช้เครื่องมือตามที่จำเป็น
4. ตรวจสอบผลการวัด กดปุ่มตั้งค่าหนึ่งครั้งเพื่อแสดงระดับแรงบิดที่แท้จริง และกดอีกครั้งเพื่อแสดงเวลาใช้งานจริง ทุกครั้งที่คุณกดปุ่มตั้งค่า ตัวบ่งชี้จะขึ้น “Ch” และจำนวนระดับแรงบิดจริงและจำนวนเวลาใช้งานจริงในรอบ
5. กดปุ่มตั้งค่าค้างไว้เพื่อออกจากการวิเคราะห์ตนเอง

หมายเหตุ: โหมดหยุดขั้นอัตโนมัติจะทำงานแม้จะอยู่ระหว่างการวิเคราะห์ตนเอง หากคุณต้องการวัดระดับแรงบิดโดยไม่จำกัด ให้ตั้งค่าระดับแรงบิด “FF” (โหมดฟรี) และทำตามขั้นตอนด้านบน

หมายเหตุ: หาก “-” ปรากฏบนตัวบ่งชี้ แสดงว่าการกระแทกไม่ทำงานหรือระดับแรงบิดสูงกว่า 40 หาก “-” แสดงขึ้นในตัวบ่งชี้ แสดงว่าเวลาทำงานเกิน 9.9 วินาที

- ในกรณีที่การกระแทกไม่ทำงาน: วัดระดับแรงบิดกับเวลาที่ใช้งานได้นานขึ้นอีกครั้ง
- ในกรณีที่ระดับแรงบิดสูงกว่า 40: เครื่องมือไม่สามารถวัดระดับแรงบิดได้ ใช้เครื่องมือที่มีช่วงแรงบิดสูงกว่า ถ้ามี
- ในกรณีที่เวลาทำงานเกิน 9.9 วินาที จะไม่สามารถใช้งานระยะเวลาที่ใช้งานได้

ตัวอย่างการวัด:

หากคุณกำหนดการตั้งค่าต่อไปนี้ คุณจะสามารถอ่านสถานะเครื่องมือ

กรณีที่ 1

รายการการตั้งค่า	การตั้งค่าเครื่องมือ	ผลการวัด	การวิเคราะห์
ระดับแรงบิด	23	20	เครื่องมือหยุดทำงานโดยการตั้งค่าระยะเวลาที่ใช้งานได้นานที่สุด (3.5 วินาที) ก่อนที่จะถึงการตั้งค่าของโหมดหยุดขั้นอัตโนมัติ (ระดับแรงบิด 23)
ระยะเวลาที่สามารถทำงานได้	สั้นที่สุด: 2.5 วินาที ยาวที่สุด: 3.5 วินาที	3.5	

รายการการตั้งค่า	การตั้งค่าเครื่องมือ	ผลการวัด	การวิเคราะห์
ระดับแรงบิด	23	23	เครื่องมือหยุดทำงานโดยโหมดหยุดขั้นอัตโนมัติ (ระดับแรงบิด 23) ก่อนถึงการตั้งค่าระยะเวลาที่ใช้งานได้ยาวนานที่สุด (3.5 วินาที)
ระยะเวลาที่สามารถทำงานได้	สั้นที่สุด: 2.5 วินาที ยาวที่สุด: 3.5 วินาที	3	

ไฟ LED/เสียงเตือน

► หมายเลข 12: 1. ไฟ LED

ไฟ LED/เสียงเตือนของเครื่องมือจะแสดงฟังก์ชันการทำงานต่อไปนี้

หมายเลขแจ้งเตือน	ฟังก์ชันการทำงาน	สถานะของเครื่องมือ	สถานะของไฟ LED/เสียงเตือน		สิ่งที่ต้องดำเนินการ
			ไฟ LED	เสียงเตือน	
E0	ข้อผิดพลาดในการติดตั้งแบตเตอรี่	หากติดตั้งตลับแบตเตอรี่ขณะกดสวิตช์สั่งงานอยู่ เครื่องมือจะหยุดทำงานเพื่อหลีกเลี่ยงการเริ่มทำงานโดยไม่ตั้งใจ	ไฟสีแดงและสีเขียวกะพริบสลับกัน	เสียงบีบยาวต่อเนื่อง	ติดตั้งตลับแบตเตอรี่พร้อมเปลี่ยนสวิตช์สั่งงาน
E1	หยุดโดยอัตโนมัติ	เมื่อพลังงานแบตเตอรี่ต่ำ ให้เปลี่ยนตลับแบตเตอรี่ใหม่	ไฟสีแดงและสีเขียวกะพริบสลับกัน	เสียงบีบยาวต่อเนื่อง	เปลี่ยนเป็นแบตเตอรี่ที่ชาร์จไฟเต็มแล้ว
E2	ระบบควบคุมป้องกันการใช้เครื่องมือ	เมื่อแรงดันไฟฟ้าแบตเตอรี่ลดลงผิดปกติด้วยสาเหตุบางประการ เครื่องมือจะหยุดทำงาน	ไฟสีแดงและสีเขียวกะพริบสลับกัน	เสียงบีบยาวต่อเนื่อง	เปลี่ยนเป็นแบตเตอรี่ที่ชาร์จไฟเต็มแล้ว
E3	หยุดอัตโนมัติเมื่อความจุแบตเตอรี่เหลือน้อย	เมื่อพลังงานแบตเตอรี่ใกล้หมด เครื่องมือจะหยุดทำงาน	ไฟสีแดงสว่างขึ้น	เสียงบีบยาว	เปลี่ยนเป็นแบตเตอรี่ที่ชาร์จไฟเต็มแล้ว
E4	การป้องกันโอเวอร์โหลด	เครื่องมือโอเวอร์โหลดและหยุดทำงาน	ไฟสีแดงและสีเขียวกะพริบสลับกัน	เสียงบีบยาวต่อเนื่อง	หยุดสาเหตุของการโอเวอร์โหลด จากนั้นรีเซ็ตเครื่องมือ สอบถามศูนย์บริการของ Makita ในประเทศของคุณเพื่อรับการซ่อม

หมายเลขแจ้งเตือน	ฟังก์ชันการทำงาน	สถานะของเครื่องมือ	สถานะของไฟ LED/เสียงเตือน		สิ่งที่ต้องดำเนินการ
			ไฟ LED	เสียงเตือน	
E5	ระบบป้องกันความร้อนสูงเกินไป	เมื่อตัวควบคุมเครื่องมือเกิดความร้อนผิดปกติ เครื่องมือจะหยุดทำงาน	ไฟสีแดงกะพริบถี่ๆ	เสียงบีบยาวต่อเนื่อง	ถอดด้ามแบตเตอรี่ออกทันที และรอให้เครื่องมือเย็นลง
E6	มอเตอร์ล๊อค	มอเตอร์ถูกล็อค ในกรณีนี้ เครื่องมือจะไม่ทำงาน	ไฟสีแดงและสีเขียวกะพริบสลับกัน	เสียงบีบยาวต่อเนื่อง	ปล่อยสวิตช์สั่งงาน แล้วกดอีกครั้ง
E7	มอเตอร์ขัดข้อง	เครื่องมือตรวจพบความขัดข้องของมอเตอร์ ในกรณีนี้ เครื่องมือจะไม่ทำงาน	ไฟสีแดงและสีเขียวกะพริบสลับกัน	เสียงบีบยาวต่อเนื่อง	สอบถามศูนย์บริการของ Makita ในประเทศของคุณเพื่อรับการซ่อม
E8	สวิตช์ขัดข้อง	เครื่องมือตรวจพบความขัดข้องของสวิตช์	ไฟสีแดงและสีเขียวกะพริบสลับกัน	เสียงบีบยาวต่อเนื่อง	สอบถามศูนย์บริการของ Makita ในประเทศของคุณเพื่อรับการซ่อม
E9	แจ้งเตือนว่าใช้งานเป็นเวลานาน	เครื่องมือถูกเปิดใช้เป็นเวลานาน (ประมาณ 3 นาที)	ไฟสีแดงและสีเขียวกะพริบสลับกัน	เสียงบีบยาว	ปล่อยสวิตช์สั่งงาน แล้วกดอีกครั้ง
-	หยุดอัตโนมัติเมื่อเสร็จสิ้นการขันแน่น	เมื่อแรงบิดขั้นแน่นที่ตั้งค่าไว้ล่วงหน้าทำงานเสร็จสิ้น เครื่องมือจะหยุดทำงาน	ไฟสีเขียวสว่างประมาณหนึ่งวินาที	—	—
-	แจ้งเตือนเมื่อการขันแน่นไม่เพียงพอ	แรงบิดขั้นแน่นที่ตั้งค่าไว้ล่วงหน้าไม่ทำงาน เนื่องจากปล่อยสวิตช์สั่งงานก่อนการขันแน่นเสร็จสิ้น	ไฟสีเขียวสว่างประมาณหนึ่งวินาที	เสียงบีบยาว	ขันแน่นใหม่อีกครั้ง
-	แจ้งเตือนขีดจำกัดในการขันแน่น	—	ไฟสีแดงกะพริบถี่ๆ	เสียงบีบยาวต่อเนื่อง	เปลี่ยนเป็นแบตเตอรี่ที่ชาร์จไฟเต็มแล้ว
-	การแจ้งเตือนการบำรุงรักษา	จำนวนรอบถึงจำนวนที่กำหนดไว้ล่วงหน้าสำหรับการบำรุงรักษาแล้ว	กะพริบเป็นสีเหลือง	—	รีเซ็ตการแจ้งเตือนด้วยซอฟต์แวร์ประยุกต์
-	แจ้งเตือนเมื่อไม่มีการสื่อสารกับ PC	ไม่มีข้อมูลการสื่อสารในขณะที่เครื่องมือเชื่อมต่อกับ PC	กะพริบเป็นสีเหลือง	—	รีเซ็ตรหัสซอฟต์แวร์ประยุกต์ และเชื่อมต่อสาย USB อีกครั้ง

หมายเลขแจ้งเตือน	ฟังก์ชันการทำงาน	สถานะของเครื่องมือ	สถานะของไฟ LED/เสียงเตือน		สิ่งที่ต้องดำเนินการ
			ไฟ LED	เสียงเตือน	
-	บ่งชี้ว่าเครื่องมือสามารถสื่อสารกับ PC	เครื่องมือเชื่อมต่อกับ PC และสามารถสื่อสารได้	กระพริบเป็นสีเขียว	—	—
-	ตรวจสอบไฟและเสียงเตือน (เมื่อติดตั้งคัลด์แบตเตอรี่)	เครื่องมือทำการทดสอบการทำงานของไฟแสดงสถานะของไฟแสดงสถานะ LED (เขียว/แดง) แสงและเสียงเตือน	ไฟ LED แสดงสถานะจะสว่างเป็นสีเขียวและสีแดง หลังจากนั้นไฟจะเปิดขึ้นชั่วขณะหนึ่ง	เสียงบีบสั้นมากดังต่อเนื่อง	—

การประกอบ

⚠ ข้อควรระวัง: ตรวจสอบให้แน่ใจว่าได้ปิดสวิทช์เครื่องมือและถอดคัลด์แบตเตอรี่ออกก่อนดำเนินการใดๆ กับเครื่องมือ

การเลือกหัวบ็อกซ์กระทงที่เหมาะสม

ใช้หัวบ็อกซ์กระทงที่เหมาะสมกับขนาดของสลักเกลียวและน็อตเสมอ การใช้หัวบ็อกซ์กระทงที่มีขนาดไม่เหมาะสมอาจทำให้แรงบิดขันแน่นไม่ถูกต้องและไม่สม่ำเสมอ และ/หรือทำให้สลักเกลียวหรือน็อตเสียหายได้

การติดตั้งหรือการถอดหัวบ็อกซ์กระทง

อุปกรณ์เสริม

⚠ ข้อควรระวัง: ตรวจสอบให้แน่ใจว่าหัวบ็อกซ์กระทงและส่วนยึดไม่เสียหายก่อนติดตั้งหัวบ็อกซ์กระทง

⚠ ข้อควรระวัง: หลังจากที่ใช้ลูกบ็อกซ์สำหรับเครื่องยิงลมแล้ว ควรตรวจสอบให้แน่ใจว่ายึดแน่นดีหรือไม่ หากลูกบ็อกซ์สำหรับเครื่องยิงลมหลุดออกมา ห้ามนำไปใช้งาน

หมายเหตุ: วิธีการติดตั้งหัวบ็อกซ์กระทงจะแตกต่างกันไปตามประเภทของหัวประแจสี่เหลี่ยมบนเครื่องมือ

เครื่องมือที่มีสปริงแวน

สำหรับหัวบ็อกซ์กระทงที่ไม่มีโอริงและสลัก

- ▶ หมายเลข 13: 1. หัวบ็อกซ์กระทง 2. ช้องยึดหัวบ็อกซ์ 3. สปริงแวน

กดหัวบ็อกซ์กระทงลงบนประแจหัวบ็อกซ์จนกระทั่งล๊อคเข้าที่

เมื่อต้องการถอดหัวบ็อกซ์กระทง เพียงแค่ดึงออก

สำหรับหัวบ็อกซ์กระทงที่มีโอริงและสลัก

- ▶ หมายเลข 14: 1. หัวบ็อกซ์กระทง 2. โอริง 3. สลัก

เลื่อนโอริงออกจากร่องในหัวบ็อกซ์กระทงและนำสลักออกจากหัวบ็อกซ์กระทง ใส่หัวบ็อกซ์กระทงเข้าสู่ไดร์ฟสี่เหลี่ยมโดยให้รูของหัวบ็อกซ์กระทงนั้นตรงกับรูของไดร์ฟสี่เหลี่ยม

ใส่สลักเข้าไปในรูของหัวบ็อกซ์กระทงและไดร์ฟสี่เหลี่ยมแล้วใส่โอริงเข้าไปในตำแหน่งเดิมในร่องของหัวบ็อกซ์กระทงเพื่อรองสลัก

เมื่อต้องการถอดหัวบ็อกซ์กระทง ให้ปฏิบัติย้อนขั้นตอนการติดตั้ง

เครื่องมือที่มีสลักยึด

- ▶ หมายเลข 15: 1. หัวบ็อกซ์กระทง 2. รู 3. ช้องยึดหัวบ็อกซ์ 4. สลักยึด

จัดตำแหน่งรูที่ด้านข้างของหัวบ็อกซ์กระทงให้ตรงกับสลักยึดบนประแจหัวบ็อกซ์ แล้วกดหัวบ็อกซ์กระทงลงบนประแจหัวบ็อกซ์จนกระทั่งล๊อคเข้าที่ เคาะเบาๆ หากจำเป็น เมื่อต้องการถอดหัวบ็อกซ์กระทง เพียงแค่ดึงออก หากถอดออกได้ยาก ให้กดสลักยึดลงในขณะที่ดึงหัวบ็อกซ์กระทง

ขอเกี่ยวติดตั้ง

อุปกรณ์เสริม

ขอเกี่ยวมีไว้สำหรับแวนเครื่องมือ ติดตั้งขอเกี่ยวในรูที่ตัวเครื่องมือ

- ▶ หมายเลข 16: 1. ขอเกี่ยว 2. รู

การใช้งาน

⚠️ ข้อควรระวัง: ให้แน่ใจว่าสวิตช์แบตเตอรี่เข้าจนสุดจนกระทั่งได้ยินเสียงล็อกเข้าที่ หากยังเห็นส่วนสีแดงที่ด้านบนของปุ่ม แสดงว่าสวิตช์แบตเตอรี่ยังไม่ล็อกเข้าที่ ให้ดันสวิตช์แบตเตอรี่เข้าจนสุดจนไม่เห็นส่วนสีแดงอีก ไม่เช่นนั้น สวิตช์แบตเตอรี่อาจหลุดออกจากเครื่องมือทำให้คุณหรือคนรอบข้างได้รับบาดเจ็บ

⚠️ ข้อควรระวัง: ถัดเครื่องมือให้แน่นและมั่นคง ครอบหัวบ็อกซ์กระทงไว้ที่หัวน็อตหรือสลักเกลียว เปิดเครื่องแล้วทำการขันโดยใช้ระยะเวลาการขันแน่นที่เหมาะสม

⚠️ ข้อควรระวัง: หากใช้งานเครื่องมืออย่างต่อเนื่องจนกระทั่งสวิตช์แบตเตอรี่หมดไฟ ให้พักเครื่องมือไว้ประมาณ 15 นาทีก่อนใส่สวิตช์แบตเตอรี่ที่ชาร์จไฟใหม่

⚠️ ข้อควรระวัง: การออกแรงกดบนเครื่องมือไม่ช่วยให้การเจาะเร็วขึ้น ตามข้อเท็จจริงแล้ว แรงกดที่มากเกินไปจะทำให้ปลายดอกสว่านเสียหาย ลดประสิทธิภาพและอายุการใช้งานของเครื่องมือ

⚠️ ข้อควรระวัง: ยึดชิ้นงานด้วยปากกาจับงาน หรืออุปกรณ์จับยึดที่คล้ายคลึงกันเสมอ

► หมายเลข 17

แรงบิดขันแน่นที่เหมาะสมอาจแตกต่างกันขึ้นอยู่กับชนิดหรือขนาดของสลักเกลียว วัสดุของชิ้นงานที่จะขันแน่น ฯลฯ

ข้อสังเกต: เมื่อขันแน่นสลักเกลียวขนาดเล็ก ให้ค่อยๆ ดันสวิตช์สั่งงานเพื่อไม่ให้สลักเกลียวเสียหาย

ข้อสังเกต: จับเครื่องมือให้ตรงกับสลักเกลียวหรือน็อต

ข้อสังเกต: การใช้แรงบิดขันแน่นมากเกินไปอาจทำให้สลักเกลียว/น็อต หรือหัวบ็อกซ์กระทงเสียหายได้ ก่อนเริ่มงาน ให้ทำการทดสอบการทำงานเพื่อกำหนดระยะเวลาการขันแน่นที่เหมาะสมสำหรับหัวบ็อกซ์เกลียวหรือน็อตที่คุณใช้

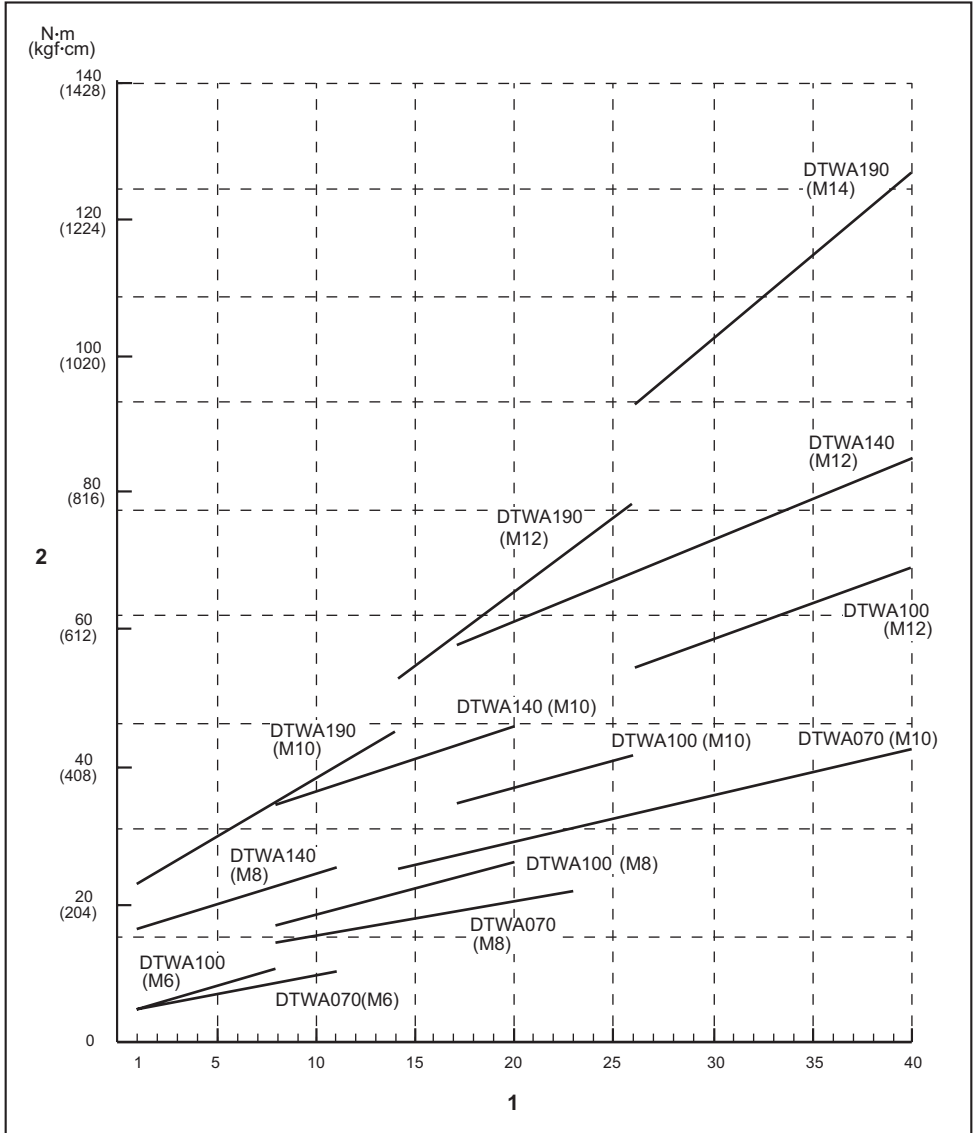
แรงบิดขันแน่นอาจเปลี่ยนแปลงไปขึ้นอยู่กับปัจจัยต่างๆ ดังต่อไปนี้ หลังจากขันแน่น ให้ตรวจสอบแรงบิดด้วยประแจวัดแรงบิด

1. เมื่อพลังงานในสวิตช์แบตเตอรี่ใกล้หมด แรงดันไฟฟ้าจะลดลงซึ่งทำให้แรงบิดขันแน่นลดลง
2. หัวบ็อกซ์กระทง
 - การใช้หัวบ็อกซ์กระทงขนาดไม่ถูกต้องจะทำให้แรงบิดขันแน่นลดลง
 - หัวบ็อกซ์กระทงที่ชำรุด (สึกหรือที่ปลายหกเหลี่ยมหรือปลายสี่เหลี่ยม) จะทำให้แรงบิดขันแน่นลดลง
3. สลักเกลียว
 - แม้ว่าค่าสัมประสิทธิ์แรงบิดและระดับของสลักเกลียวจะเท่ากัน แต่แรงบิดขันแน่นที่เหมาะสมจะแตกต่างกันตามเส้นผ่านศูนย์กลางของสลักเกลียว
 - แม้ว่าเส้นผ่านศูนย์กลางของสลักเกลียวจะเท่ากัน แรงบิดขันแน่นที่เหมาะสมจะแตกต่างกันตามค่าสัมประสิทธิ์แรงบิด ระดับของสลักเกลียว และความยาวของสลักเกลียว
4. การใช้ข้อต่อเนกประสงค์หรือคานต่อจะลดแรงบิดขันแน่นของประแจกระทงเล็กน้อย จึงควรชดเชยแรงบิดขันแน่นที่ลดลงด้วยเวลาการขันแน่นที่นานขึ้น
5. ลักษณะการจับเครื่องมือหรือเนื้อวัสดุในตำแหน่งที่จะขันแน่นจะมีผลต่อแรงบิด
6. การใช้งานเครื่องมือที่ความเร็วต่ำจะทำให้แรงบิดขันแน่นลดลง

แรงบิดขั้นแน่นและระดับแรงบิด

หมายเหตุ: ค่าอ้างอิงนี้วัดโดยเงื่อนไขการวัดที่ระบุโดย Makita

หมายเหตุ: ค่าจริงอาจแตกต่างกันไปตามสภาวะของการขันแน่น วัสดุ และวิธีการขันแน่น ทำการทดลองใช้ก่อนใช้งานจริง



1. ระดับแรงบิด 2. แรงบิดขั้นแน่น

การบำรุงรักษา

⚠ ข้อควรระวัง: ตรวจสอบให้แน่ใจว่าได้ปิดสวิตช์เครื่องมือและถอดด้ามแบตเตอรี่ออกก่อนทำการตรวจสอบหรือบำรุงรักษา

ข้อสังเกต: อย่าใช้น้ำมันเชื้อเพลิง เบนซิน ทินเนอร์ แอลกอฮอล์ หรือวัสดุประเภทเดียวกัน เนื่องจากอาจทำให้ลื่นลื่น ขัด หรือแตกร้าวได้

เพื่อความปลอดภัยและนำเชือถือของผลิตภัณฑ์ ควรให้ศูนย์บริการหรือโรงงานที่ผ่านการรับรองจาก Makita เป็นผู้ดำเนินการซ่อมแซม บำรุงรักษาและทำการปรับตั้งอื่นๆ นอกจากนี้ให้ใช้อะไหล่ของแท้จาก Makita เสมอ

อุปกรณ์เสริม

⚠ ข้อควรระวัง: ขอแนะนำให้ใช้เฉพาะอุปกรณ์เสริมหรืออุปกรณ์ต่อพ่วงเหล่านี้กับเครื่องมือ Makita ที่ระบุในคู่มือการใช้ อุปกรณ์เสริมหรืออุปกรณ์ต่อพ่วงอื่นๆ อาจมีความเสี่ยงที่จะได้รับบาดเจ็บ ใช้ อุปกรณ์เสริมหรืออุปกรณ์ต่อพ่วงตามวัตถุประสงค์ที่ระบุไว้เท่านั้น

หากต้องการทราบรายละเอียดเพิ่มเติมเกี่ยวกับอุปกรณ์เสริมเหล่านี้ โปรดสอบถามศูนย์บริการ Makita ใกล้บ้านคุณ

- ขอบเกี่ยว
- ตัวป้องกัน (น้ำเงิน, แดง, เหลือง, เขียว, ใส)
- ที่ป้องกันแบตเตอรี่สำหรับ BL1460A
- ที่ป้องกันแบตเตอรี่สำหรับ BL1415NA
- แบตเตอรี่และเครื่องชาร์จ Makita ของแท้
- สาย USB

หมายเหตุ: อุปกรณ์บางรายการอาจจะรวมอยู่ในชุดเครื่องมือเป็นอุปกรณ์มาตรฐาน ซึ่งอาจแตกต่างกันไปในแต่ละประเทศ

Makita Corporation
3-11-8, Sumiyoshi-cho,
Anjo, Aichi 446-8502 Japan
www.makita.com

885713A379
EN, ZHCN, ID,
VI, TH
20210408