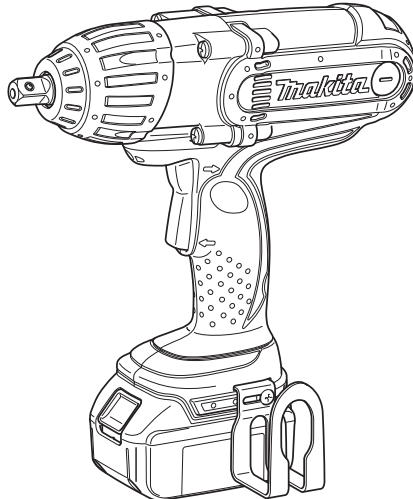
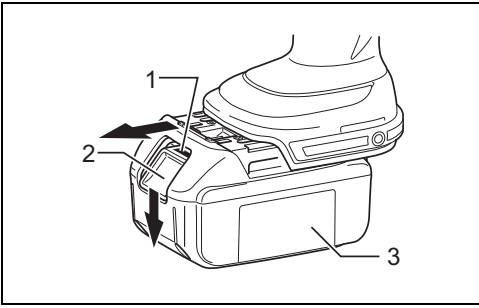




GB	Cordless Impact Wrench	Instruction manual
ID	Kunci Hentam Tanpa Kabel	Petunjuk penggunaan
VI	Máy Siết Bu Lông Cầm Tay Hoạt Động Bằng Pin	Tài liệu hướng dẫn
TH	ประแจกระแทกแบบไร้สาย	คู่มือการใช้งาน

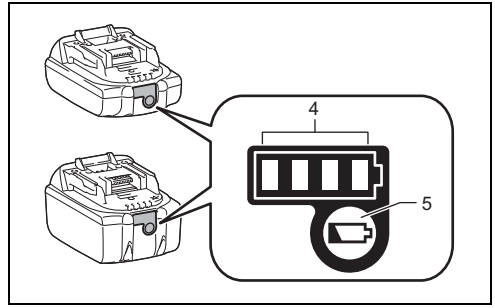
DTW450





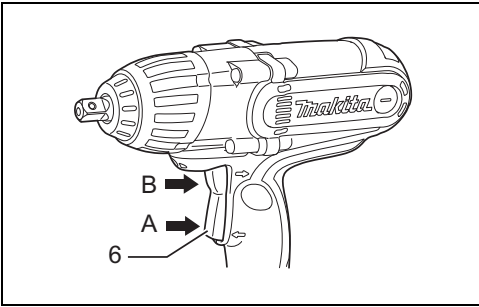
1

008146



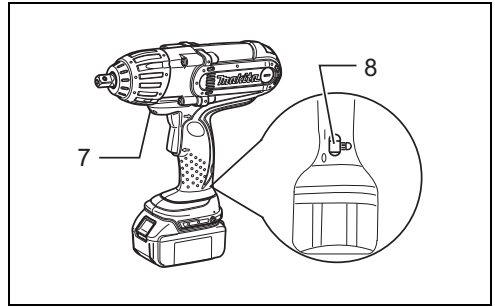
2

1007701



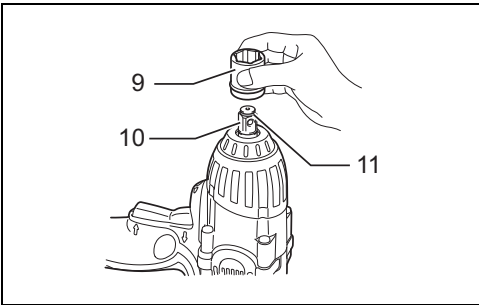
3

008147



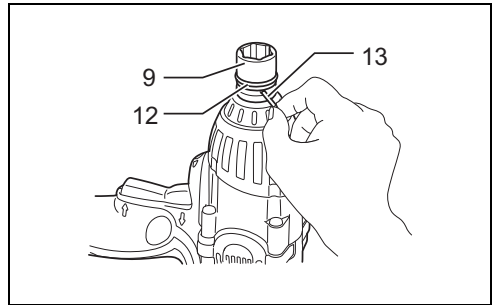
4

008407



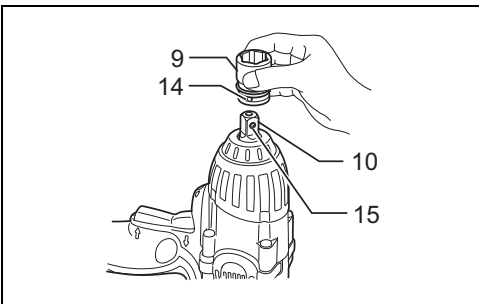
5

1087001



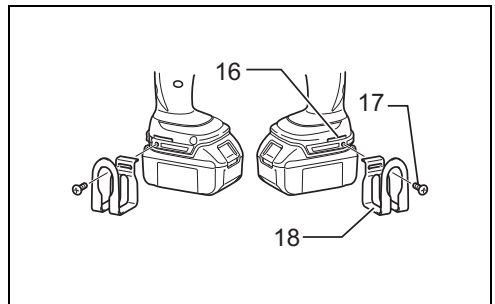
6

008149



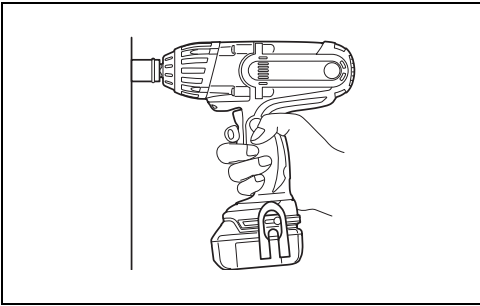
7

1087002



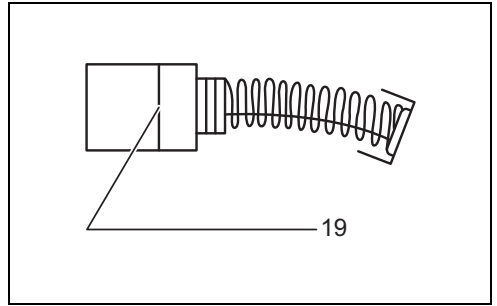
8

008150



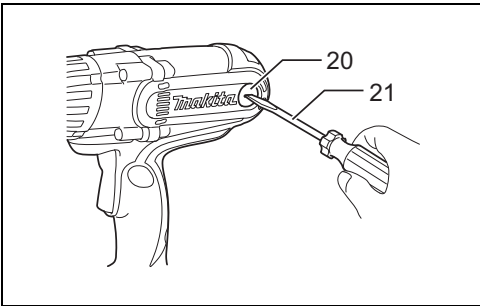
9

008151



10

001145



11

008152

ENGLISH

Explanation of general view

- | | | |
|----------------------|------------------|----------------------|
| 1. Red part | 8. Lamp switch | 15. Detent pin |
| 2. Button | 9. Impact socket | 16. Groove |
| 3. Battery cartridge | 10. Square drive | 17. Screw |
| 4. Indicator lamps | 11. Ring spring | 18. Hook |
| 5. Check button | 12. O-ring | 19. Limit mark |
| 6. Switch trigger | 13. Pin | 20. Brush holder cap |
| 7. Lamp | 14. Hole | 21. Screwdriver |

SPECIFICATIONS

Model		DTW450
Capacities	Standard bolt	M12 - M22
	High tensile bolt	M12 - M16
Square drive		12.7 mm
No load speed (min ⁻¹)		1,600
Impacts per minute		2,200
Max. fastening torque		440 N·m
Overall length		266 mm
Net weight		3.1 - 3.4 kg
Rated voltage		D.C.18 V

- Due to our continuing program of research and development, the specifications herein are subject to change without notice.
- Specifications may differ from country to country.
- The weight may differ depending on the attachment(s), including the battery cartridge. The lightest and heaviest combination, according to EPTA-Procedure 01/2014, are shown in the table.

Applicable battery cartridge and charger

Battery cartridge	BL1815N / BL1820 / BL1820B / BL1830 / BL1830B / BL1840 / BL1840B / BL1850 / BL1850B / BL1860B
Charger	DC18RC / DC18RD / DC18RE / DC18SD / DC18SE / DC18SF

- Some of the battery cartridges and chargers listed above may not be available depending on your region of residence.

⚠ WARNING: Only use the battery cartridges and chargers listed above. Use of any other battery cartridges and chargers may cause injury and/or fire.

END004-6

GEA013-2

Symbols

The following show the symbols used for the equipment. Be sure that you understand their meaning before use.



..... Read instruction manual.

ENE036-1

Intended use

The tool is intended for fastening bolts and nuts.

General Power Tool Safety Warnings

⚠ WARNING: Read all safety warnings, instructions, illustrations and specifications provided with this power tool. Failure to follow all instructions listed below may result in electric shock, fire and/or serious injury.

Save all warnings and instructions for future reference.

The term "power tool" in the warnings refers to your mains-operated (corded) power tool or battery-operated (cordless) power tool.

Work area safety

1. **Keep work area clean and well lit.** Cluttered or dark areas invite accidents.
2. **Do not operate power tools in explosive atmospheres, such as in the presence of flammable liquids, gases or dust.** Power tools create sparks which may ignite the dust or fumes.
3. **Keep children and bystanders away while operating a power tool.** Distractions can cause you to lose control.

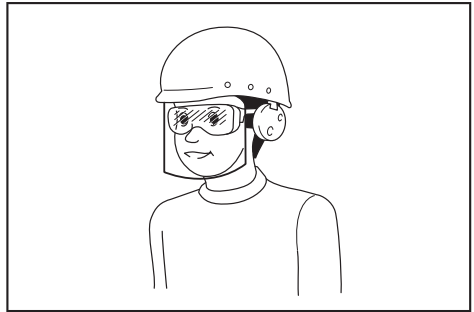
Electrical safety

1. **Power tool plugs must match the outlet. Never modify the plug in any way. Do not use any adapter plugs with earthed (grounded) power tools.** Unmodified plugs and matching outlets will reduce risk of electric shock.
2. **Avoid body contact with earthed or grounded surfaces such as pipes, radiators, ranges and refrigerators.** There is an increased risk of electric shock if your body is earthed or grounded.
3. **Do not expose power tools to rain or wet conditions.** Water entering a power tool will increase the risk of electric shock.
4. **Do not abuse the cord. Never use the cord for carrying, pulling or unplugging the power tool. Keep cord away from heat, oil, sharp edges or moving parts.** Damaged or entangled cords increase the risk of electric shock.
5. **When operating a power tool outdoors, use an extension cord suitable for outdoor use.** Use of a cord suitable for outdoor use reduces the risk of electric shock.
6. **If operating a power tool in a damp location is unavoidable, use a residual current device (RCD) protected supply.** Use of an RCD reduces the risk of electric shock.
7. **Power tools can produce electromagnetic fields (EMF) that are not harmful to the user.** However, users of pacemakers and other similar medical devices should contact the maker of their device and/or doctor for advice before operating this power tool.

Personal safety

1. **Stay alert, watch what you are doing and use common sense when operating a power tool. Do not use a power tool while you are tired or under the influence of drugs, alcohol or medication.** A moment of inattention while operating power tools may result in serious personal injury.
2. **Use personal protective equipment. Always wear eye protection.** Protective equipment such as dust mask, non-skid safety shoes, hard hat, or hearing protection used for appropriate conditions will reduce personal injuries.
3. **Prevent unintentional starting. Ensure the switch is in the off-position before connecting to power source and/or battery pack, picking up or carrying the tool.** Carrying power tools with your finger on the switch or energising power tools that have the switch on invites accidents.
4. **Remove any adjusting key or wrench before turning the power tool on.** A wrench or a key left attached to a rotating part of the power tool may result in personal injury.

5. **Do not overreach. Keep proper footing and balance at all times.** This enables better control of the power tool in unexpected situations.
6. **Dress properly. Do not wear loose clothing or jewellery. Keep your hair, clothing, and gloves away from moving parts.** Loose clothes, jewellery or long hair can be caught in moving parts.
7. **If devices are provided for the connection of dust extraction and collection facilities, ensure these are connected and properly used.** Use of dust collection can reduce dust-related hazards.
8. **Do not let familiarity gained from frequent use of tools allow you to become complacent and ignore tool safety principles.** A careless action can cause severe injury within a fraction of a second.
9. **Always wear protective goggles to protect your eyes from injury when using power tools.** The goggles must comply with ANSI Z87.1 in the USA, EN 166 in Europe, or AS/NZS 1336 in Australia/ New Zealand. In Australia/New Zealand, it is legally required to wear a face shield to protect your face, too.



It is an employer's responsibility to enforce the use of appropriate safety protective equipments by the tool operators and by other persons in the immediate working area.

Power tool use and care

1. **Do not force the power tool. Use the correct power tool for your application.** The correct power tool will do the job better and safer at the rate for which it was designed.
2. **Do not use the power tool if the switch does not turn it on and off.** Any power tool that cannot be controlled with the switch is dangerous and must be repaired.
3. **Disconnect the plug from the power source and/or remove the battery pack, if detachable, from the power tool before making any adjustments, changing accessories, or storing power tools.** Such preventive safety measures reduce the risk of starting the power tool accidentally.
4. **Store idle power tools out of the reach of children and do not allow persons unfamiliar with the power tool or these instructions to operate the power tool.** Power tools are dangerous in the hands of untrained users.

- Maintain power tools and accessories. Check for misalignment or binding of moving parts, breakage of parts and any other condition that may affect the power tool's operation. If damaged, have the power tool repaired before use.** Many accidents are caused by poorly maintained power tools.
- Keep cutting tools sharp and clean.** Properly maintained cutting tools with sharp cutting edges are less likely to bind and are easier to control.
- Use the power tool, accessories and tool bits etc. in accordance with these instructions, taking into account the working conditions and the work to be performed.** Use of the power tool for operations different from those intended could result in a hazardous situation.
- Keep handles and grasping surfaces dry, clean and free from oil and grease.** Slippery handles and grasping surfaces do not allow for safe handling and control of the tool in unexpected situations.
- When using the tool, do not wear cloth work gloves which may be entangled.** The entanglement of cloth work gloves in the moving parts may result in personal injury.

Battery tool use and care

- Recharge only with the charger specified by the manufacturer.** A charger that is suitable for one type of battery pack may create a risk of fire when used with another battery pack.
- Use power tools only with specifically designated battery packs.** Use of any other battery packs may create a risk of injury and fire.
- When battery pack is not in use, keep it away from other metal objects, like paper clips, coins, keys, nails, screws or other small metal objects, that can make a connection from one terminal to another.** Shorting the battery terminals together may cause burns or a fire.
- Under abusive conditions, liquid may be ejected from the battery; avoid contact. If contact accidentally occurs, flush with water. If liquid contacts eyes, additionally seek medical help.** Liquid ejected from the battery may cause irritation or burns.
- Do not use a battery pack or tool that is damaged or modified.** Damaged or modified batteries may exhibit unpredictable behaviour resulting in fire, explosion or risk of injury.
- Do not expose a battery pack or tool to fire or excessive temperature.** Exposure to fire or temperature above 130 °C may cause explosion.
- Follow all charging instructions and do not charge the battery pack or tool outside the temperature range specified in the instructions.** Charging improperly or at temperatures outside the specified range may damage the battery and increase the risk of fire.

Service

- Have your power tool serviced by a qualified repair person using only identical replacement parts.** This will ensure that the safety of the power tool is maintained.

- Never service damaged battery packs.** Service of battery packs should only be performed by the manufacturer or authorized service providers.
- Follow instruction for lubricating and changing accessories.**

GEB138-1

CORDLESS IMPACT WRENCH SAFETY WARNINGS

- Hold the power tool by insulated gripping surfaces, when performing an operation where the fastener may contact hidden wiring.** Fasteners contacting a "live" wire may make exposed metal parts of the power tool "live" and could give the operator an electric shock.
- Wear ear protectors.**
- Check the impact socket carefully for wear, cracks or damage before installation.**
- Hold the tool firmly.**
- Keep hands away from rotating parts.**
- Always be sure you have a firm footing. Be sure no one is below when using the tool in high locations.**
- The proper fastening torque may differ depending upon the kind or size of the bolt. Check the torque with a torque wrench.**

SAVE THESE INSTRUCTIONS.

⚠ WARNING:

DO NOT let comfort or familiarity with product (gained from repeated use) replace strict adherence to safety rules for the subject product. MISUSE or failure to follow the safety rules stated in this instruction manual may cause serious personal injury.

ENC007-12

IMPORTANT SAFETY INSTRUCTIONS FOR BATTERY CARTRIDGE

- Before using battery cartridge, read all instructions and cautionary markings on (1) battery charger, (2) battery, and (3) product using battery.**
- Do not disassemble battery cartridge.**
- If operating time has become excessively shorter, stop operating immediately. It may result in a risk of overheating, possible burns and even an explosion.**
- If electrolyte gets into your eyes, rinse them out with clear water and seek medical attention right away. It may result in loss of your eyesight.**
- Do not short the battery cartridge:**
 - Do not touch the terminals with any conductive material.**
 - Avoid storing battery cartridge in a container with other metal objects such as nails, coins, etc.**

- (3) Do not expose battery cartridge to water or rain.
A battery short can cause a large current flow, overheating, possible burns and even a breakdown.

- Do not store the tool and battery cartridge in locations where the temperature may reach or exceed 50 °C (122 °F).
- Do not incinerate the battery cartridge even if it is severely damaged or is completely worn out. The battery cartridge can explode in a fire.
- Be careful not to drop or strike battery.
- Do not use a damaged battery.
- The contained lithium-ion batteries are subject to the Dangerous Goods Legislation requirements. For commercial transports e.g. by third parties, forwarding agents, special requirement on packaging and labeling must be observed.

For preparation of the item being shipped, consulting an expert for hazardous material is required. Please also observe possibly more detailed national regulations.

Tape or mask off open contacts and pack up the battery in such a manner that it cannot move around in the packaging.

- Follow your local regulations relating to disposal of battery.
- Use the batteries only with the products specified by Makita. Installing the batteries to non-compliant products may result in a fire, excessive heat, explosion, or leak of electrolyte.

SAVE THESE INSTRUCTIONS.

⚠ CAUTION:

- Only use genuine Makita batteries. Use of non-genuine Makita batteries, or batteries that have been altered, may result in the battery bursting causing fires, personal injury and damage. It will also void the Makita warranty for the Makita tool and charger.

Tips for maintaining maximum battery life

- Charge the battery cartridge before completely discharged.
Always stop tool operation and charge the battery cartridge when you notice less tool power.
- Never recharge a fully charged battery cartridge.
Overcharging shortens the battery service life.
- Charge the battery cartridge with room temperature at 10 °C - 40 °C (50 °F - 104 °F). Let a hot battery cartridge cool down before charging it.
- Charge the battery cartridge if you do not use it for a long period (more than six months).

FUNCTIONAL DESCRIPTION

⚠ CAUTION:

- Always be sure that the tool is switched off and the battery cartridge is removed before adjusting or checking function on the tool.

Installing or removing battery cartridge

(Fig. 1)



















- Always switch off the tool before installation or removal of the battery cartridge.
- To remove the battery cartridge, withdraw it from the tool while sliding the button on the front of the cartridge.
- To insert the battery cartridge, align the tongue on the battery cartridge with the groove in the housing and slip it into place. Always insert it all the way until it locks in place with a little click. If you can see the red part on the upper side of the button, it is not locked completely. Insert it fully until the red part cannot be seen. If not, it may accidentally fall out of the tool, causing injury to you or someone around you.
- Do not use force when inserting the battery cartridge. If the cartridge does not slide in easily, it is not being inserted correctly.

Indicating the remaining battery capacity

(Fig. 2)

Only for battery cartridges with the indicator

Press the check button on the battery cartridge to indicate the remaining battery capacity. The indicator lamps light up for a few seconds.

Indicator lamps			Remaining capacity
 Lighted	 Off	 Blinking	
			75% to 100%
			50% to 75%
			25% to 50%
			0% to 25%
			Charge the battery.
 	 	 	The battery may have malfunctioned.

NOTE:

- Depending on the conditions of use and the ambient temperature, the indication may differ slightly from the actual capacity.

Switch action (Fig. 3)

⚠ CAUTION:

- Before inserting the battery cartridge into the tool, always check to see that the switch trigger actuates properly and returns to the "OFF" position when released.
- Change the direction of rotation only when the tool comes to a complete stop. Changing it before the tool stops may damage the tool.

The switch is reversible, providing either clockwise or counterclockwise rotation. To start the tool, simply pull the lower part (A) of the switch trigger for clockwise or the upper part (B) for counterclockwise. Release the switch trigger to stop.

Lighting up the front lamp (Fig. 4)

⚠ CAUTION:

- Do not look in the light or see the source of light directly.

Push the upper position of the lamp switch for turning on the light and the lower position for off.

NOTE:

- Use a dry cloth to wipe the dirt off the lens of lamp. Be careful not to scratch the lens of lamp, or it may lower the illumination.
- The light is provided with anti excessive discharge circuit. When the lamp does not light up even after the light switch is turned on, there is likely to be battery power drop. Try to charge the battery cartridge.
- Keep the lamp switch in "off" position while not in need of the light.

ASSEMBLY

⚠ CAUTION:

- Always be sure that the tool is switched off and the battery cartridge is removed before carrying out any work on the tool.

Selecting correct socket

Always use the correct size socket for bolts and nuts. An incorrect size socket will result in inaccurate and inconsistent fastening torque and/or damage to the bolt or nut.

Installing or removing impact socket

Country specific

⚠ CAUTION:

- **Make sure that the impact socket and the mounting portion are not damaged before installing the impact socket.**
- **After inserting the impact socket, make sure that it is firmly secured. If it comes out, do not use it.**

Tool with the ring spring

For impact socket without O-ring and pin (Fig. 5)

Push the impact socket onto the square drive until it locks into place.

To remove the impact socket, simply pull it off.

For impact socket with O-ring and pin (Fig. 6)

Move the O-ring out of the groove in the impact socket and remove the pin from the impact socket. Fit the impact socket onto the square drive so that the hole in the impact socket is aligned with the hole in the square drive.

Insert the pin through the hole in the impact socket and square drive. Then return the O-ring to the original position in the impact socket groove to retain the pin.

To remove the impact socket, follow the installation procedures in reverse.

Tool with the detent pin (Fig. 7)

Align the hole in the side of the impact socket with the detent pin on the square drive and push the impact socket onto the square drive until it locks into place. Tap it lightly if required.

To remove the impact socket, simply pull it off. If it is hard to remove, depress the detent pin while pulling the impact socket.

Hook (Fig. 8)

⚠ CAUTION:

- After installing the hook, make sure that it is screwed firmly.

The hook is convenient for temporarily hanging the tool. This can be installed on either side of the tool.

To install the hook, insert it into a groove in the tool housing on either side and then secure it with a screw. To remove, loosen the screw and then take it out.

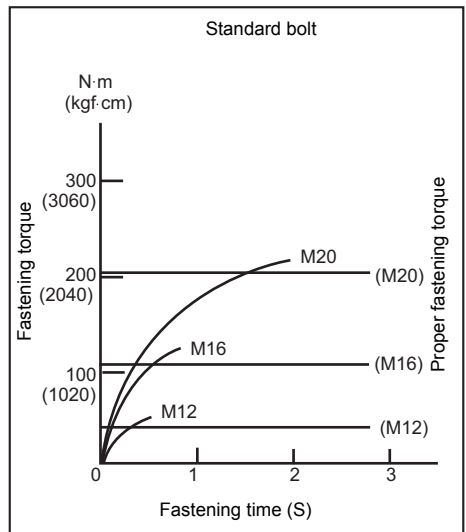
OPERATION

⚠ CAUTION:

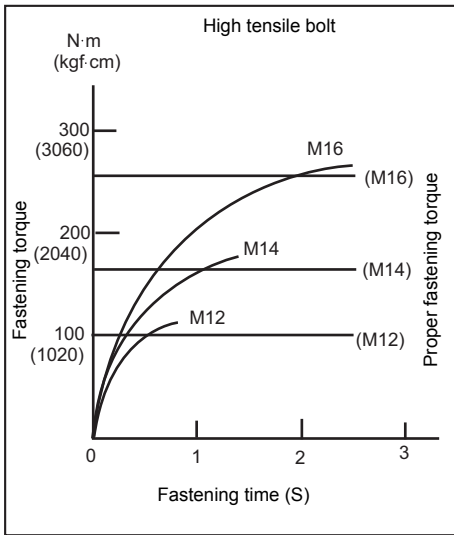
- Always insert the battery cartridge all the way until it locks in place. If you can see the red part on the upper side of the button, it is not locked completely. Insert it fully until the red part cannot be seen. If not, it may accidentally fall out of the tool, causing injury to you or someone around you.

Hold the tool firmly and place the socket over the bolt or nut. Turn the tool on and fasten for the proper fastening time. (Fig. 9)

The proper fastening torque may differ depending upon the kind or size of the bolt, the material of the workpiece to be fastened, etc. The relation between fastening torque and fastening time is shown in the figures.



008486



008487

NOTE:

- Hold the tool pointed straight at the bolt or nut.
- Excessive fastening torque may damage the bolt/nut or socket. Before starting your job, always perform a test operation to determine the proper fastening time for your bolt or nut.
- If the tool is operated continuously until the battery cartridge has discharged, allow the tool to rest for 15 minutes before proceeding with a fresh battery cartridge.

The fastening torque is affected by a wide variety of factors including the following. After fastening, always check the torque with a torque wrench.

1. When the battery cartridge is discharged almost completely, voltage will drop and the fastening torque will be reduced.
2. Socket
 - Failure to use the correct size socket will cause a reduction in the fastening torque.
 - A worn socket (wear on the hex end or square end) will cause a reduction in the fastening torque.
3. Bolt
 - Even though the torque coefficient and the class of bolt are the same, the proper fastening torque will differ according to the diameter of bolt.
 - Even though the diameters of bolts are the same, the proper fastening torque will differ according to the torque coefficient, the class of bolt and the bolt length.
4. The use of the universal joint or the extension bar somewhat reduces the fastening force of the impact wrench. Compensate by fastening for a longer period of time.
5. The manner of holding the tool or the material of driving position to be fastened will affect the torque.
6. Operating the tool at low speed will cause a reduction in the fastening torque.

MAINTENANCE

⚠ CAUTION:

- Always be sure that the tool is switched off and the battery cartridge is removed before attempting to perform inspection or maintenance.
- Never use gasoline, benzine, thinner, alcohol or the like. Discoloration, deformation or cracks may result.

Replacing carbon brushes

Remove and check the carbon brushes regularly. Replace when they wear down to the limit mark. Keep the carbon brushes clean and free to slip in the holders. Both carbon brushes should be replaced at the same time. Use only identical carbon brushes. **(Fig. 10)**

Use a screwdriver to remove the brush holder caps. Take out the worn carbon brushes, insert the new ones and secure the brush holder caps. **(Fig. 11)**

To maintain product SAFETY and RELIABILITY, repairs, any other maintenance or adjustment should be performed by Makita Authorized Service Centers, always using Makita replacement parts.

OPTIONAL ACCESSORIES

⚠ CAUTION:

- These accessories or attachments are recommended for use with your Makita tool specified in this manual. The use of any other accessories or attachments might present a risk of injury to persons. Only use accessory or attachment for its stated purpose.

If you need any assistance for more details regarding these accessories, ask your local Makita Service Center.

- Sockets
- Extension bar
- Universal joint
- Bit adapter
- Makita genuine battery and charger

NOTE:

- Some items in the list may be included in the tool package as standard accessories. They may differ from country to country.

Penjelasan tampilan keseluruhan

- | | | |
|--------------------------|--------------------|------------------------|
| 1. Bagian berwarna merah | 8. Saklar lampu | 15. Pasak penahan |
| 2. Tombol | 9. Soket hentam | 16. Alur |
| 3. Kartrid baterai | 10. Kepala persegi | 17. Sekrup |
| 4. Lampu indikator | 11. Pegas cincin | 18. Kait |
| 5. Tombol pemeriksaan | 12. Cincin-O | 19. Tanda batas |
| 6. Saklar pemicu | 13. Pasak | 20. Tutup tempat sikat |
| 7. Lampu | 14. Lubang | 21. Obeng |

SPESIFIKASI

Model		DTW450
Kapasitas	Baut standar	M12 - M22
	Baut mutu tinggi	M12 - M16
Kepala persegi		12,7 mm
Kecepatan tanpa beban (min ⁻¹)		1.600
Hentakan per menit		2.200
Torsi pengencangan maks.		440 N·m
Panjang keseluruhan		266 mm
Berat bersih		3,1 - 3,4 kg
Tegangan terukur		D.C.18 V

- Karena kesinambungan program penelitian dan pengembangan kami, spesifikasi yang disebutkan di sini dapat berubah tanpa pemberitahuan.
- Spesifikasi dapat berbeda dari satu negara ke negara lainnya.
- Berat alat mungkin berbeda tergantung perangkat tambahan yang dipasang, termasuk kartrid baterai. Kombinasi alat terberat dan teringan, sesuai Prosedur EPTA 01/2014, ditunjukkan pada tabel.

Kartrid dan pengisi daya baterai yang dapat digunakan

Kartrid baterai	BL1815N / BL1820 / BL1820B / BL1830 / BL1830B / BL1840 / BL1840B / BL1850 / BL1850B / BL1860B
Pengisi daya	DC18RC / DC18RD / DC18RE / DC18SD / DC18SE / DC18SF

- Beberapa kartrid baterai dan pengisi daya yang tercantum di atas mungkin tidak tersedia, tergantung wilayah tempat tinggal Anda.

⚠ PERINGATAN: Hanya gunakan kartrid dan pengisi daya baterai yang tercantum di atas. Penggunaan kartrid dan pengisi daya baterai lain dapat menimbulkan risiko cedera dan/atau kebakaran.

END004-6

GEA013-2

Simbol

Berikut ini adalah simbol-simbol yang digunakan pada peralatan ini. Pastikan Anda mengerti makna masing-masing simbol sebelum menggunakan alat.



..... Baca petunjuk penggunaan.

ENE036-1

Penggunaan

Mesin ini digunakan untuk mengencangkan baut dan mur.

**Peringatan Keselamatan Umum
Mesin Listrik**

⚠ PERINGATAN: Bacalah semua peringatan keselamatan, petunjuk, ilustrasi dan spesifikasi yang disertakan bersama mesin listrik ini. Kelalaian untuk mematuhi semua petunjuk yang tercantum di bawah ini dapat menyebabkan sengatan listrik, kebakaran dan/atau cedera serius.

Simpanlah semua peringatan dan petunjuk untuk acuan di masa depan.

Istilah "mesin listrik" dalam semua peringatan mengacu pada mesin listrik yang dijalankan dengan sumber listrik jala-jala (berkabel) atau baterai (tanpa kabel).

Keselamatan tempat kerja

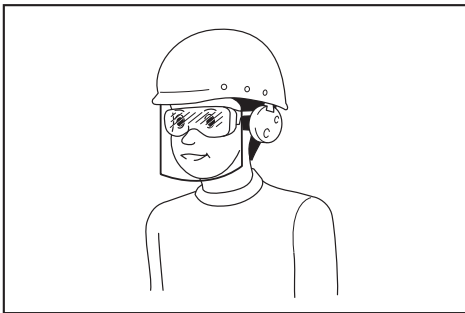
1. **Jaga tempat kerja selalu bersih dan berpenerangan cukup.** Tempat kerja yang berantakan dan gelap mengundang kecelakaan.
2. **Jangan gunakan mesin listrik dalam lingkungan yang mudah meledak, misalnya jika ada cairan, gas, atau debu yang mudah menyala.** Mesin listrik menimbulkan bunga api yang dapat menyalakan debu atau uap tersebut.
3. **Jauhkan anak-anak dan orang lain saat menggunakan mesin listrik.** Bila perhatian terpecah, anda dapat kehilangan kendali.

Keamanan Kelistrikan

1. **Steker mesin listrik harus cocok dengan stopkontak. Jangan sekali-kali mengubah steker dengan cara apa pun. Jangan menggunakan steker adaptor dengan mesin listrik terbumi (dibumikan).** Steker yang tidak diubah dan stopkontak yang cocok akan mengurangi risiko sengatan listrik.
2. **Hindari sentuhan tubuh dengan permukaan terbumi atau yang dibumikan seperti pipa, radiator, kompor, dan kulkas.** Risiko sengatan listrik bertambah jika tubuh Anda terbumikan atau dibumikan.
3. **Jangan membiarkan mesin listrik kehujanan atau kebasahan.** Air yang masuk ke dalam mesin listrik akan meningkatkan risiko sengatan listrik.
4. **Jangan menyalahgunakan kabel. Jangan sekali-kali menggunakan kabel untuk membawa, menarik, atau mencabut mesin listrik dari stopkontak. Jauhkan kabel dari panas, minyak, tepian tajam, atau bagian yang bergerak.** Kabel yang rusak atau kusut memperbesar risiko sengatan listrik.
5. **Bila menggunakan mesin listrik di luar ruangan, gunakan kabel ekstensi yang sesuai untuk penggunaan di luar ruangan.** Penggunaan kabel yang sesuai untuk penggunaan luar ruangan mengurangi risiko sengatan listrik.
6. **Jika mengoperasikan mesin listrik di lokasi lembap tidak terhindarkan, gunakan pasokan daya yang dilindungi peranti imbasan arus (residual current device - RCD).** Penggunaan RCD mengurangi risiko sengatan listrik.
7. **Mesin listrik dapat menghasilkan medan magnet (EMF) yang tidak berbahaya bagi pengguna.** Namun, pengguna alat pacu jantung atau peralatan medis sejenisnya harus berkonsultasi dengan produsen peralatan tersebut dan/atau dokter mereka sebelum mengoperasikan mesin listrik ini.

Keselamatan Diri

1. **Jaga kewaspadaan, perhatikan pekerjaan Anda dan gunakan akal sehat bila menggunakan mesin listrik. Jangan menggunakan mesin listrik saat Anda lelah atau di bawah pengaruh obat bius, alkohol, atau obat.** Sekejap saja lalai saat menggunakan mesin listrik dapat menyebabkan cedera badan serius.
2. **Gunakan alat pelindung diri. Selalu gunakan pelindung mata.** Peralatan pelindung seperti masker debu, sepatu pengaman anti-selip, helm pengaman, atau pelindung telinga yang digunakan untuk kondisi yang sesuai akan mengurangi risiko cedera badan.
3. **Cegah penyalaaan yang tidak disengaja. Pastikan bahwa sakelar berada dalam posisi mati (off) sebelum menghubungkan mesin ke sumber daya dan/atau paket baterai, atau mengangkat atau membawanya.** Membawa mesin listrik dengan jari Anda pada sakelarnya atau mengalirkan listrik pada mesin listrik yang sakelarnya hidup (on) akan mengundang kecelakaan.
4. **Lepaskan kunci-kunci penyetel sebelum menghidupkan mesin listrik.** Kunci-kunci yang masih terpasang pada bagian mesin listrik yang berputar dapat menyebabkan cedera.
5. **Jangan meraih terlalu jauh. Jagalah pijakan dan keseimbangan sepanjang waktu.** Hal ini memungkinkan kendali yang lebih baik atas mesin listrik dalam situasi yang tidak diharapkan.
6. **Kenakan pakaian yang memadai. Jangan memakai pakaian yang longgar atau perhiasan. Jaga jarak antara rambut dan pakaian Anda dengan komponen mesin yang bergerak.** Pakaian yang longgar, perhiasan, atau rambut yang panjang dapat tersangkut pada komponen yang bergerak.
7. **Jika tersedia fasilitas untuk menghisap dan mengumpulkan debu, pastikan fasilitas tersebut terhubung listrik dan digunakan dengan baik.** Penggunaan pembersih debu dapat mengurangi bahaya yang terkait dengan debu.
8. **Jangan sampai Anda lelah dan mengabaikan prinsip keselamatan mesin ini hanya karena sudah sering mengoperasikannya dan sudah merasa terbiasa.** Tindakan yang lalai dapat menyebabkan cedera berat dalam sepersekian detik saja.
9. **Selalu kenakan kacamata pelindung untuk melindungi mata dari cedera saat menggunakan mesin listrik. Kacamata harus sesuai dengan ANSI Z87.1 di Amerika Serikat, EN 166 di Eropa, atau AS/NZS 1336 di Australia/Selandia Baru. Di Australia/Selandia Baru, secara hukum Anda juga diwajibkan mengenakan pelindung wajah untuk melindungi wajah Anda.**



Menjadi tanggung jawab atasan untuk menerapkan penggunaan alat pelindung keselamatan yang tepat bagi operator mesin dan orang lain yang berada di area kerja saat itu.

Penggunaan dan pemeliharaan mesin listrik

1. **Jangan memaksa mesin listrik. Gunakan mesin listrik yang tepat untuk keperluan Anda.** Mesin listrik yang tepat akan menuntaskan pekerjaan dengan lebih baik dan aman pada kecepatan sesuai rancangannya.
2. **Jangan gunakan mesin listrik jika sakelar tidak dapat menyalakan dan mematirkannya.** Mesin listrik yang tidak dapat dikendalikan dengan sakelarnya adalah berbahaya dan harus diperbaiki.
3. **Cabut steker dari sumber listrik dan/atau lepas paket baterai, jika dapat dilepas, dari mesin listrik sebelum melakukan penyetelan apa pun, mengganti aksesoris, atau menyimpan mesin listrik.** Langkah keselamatan preventif tersebut mengurangi risiko hidupnya mesin secara tak sengaja.
4. **Simpan mesin listrik jauh dari jangkauan anak-anak dan jangan biarkan orang yang tidak paham mengenai mesin listrik tersebut atau petunjuk ini menggunakan mesin listrik.** Mesin listrik sangat berbahaya di tangan pengguna yang tak terlatih.
5. **Rawatlah mesin listrik dan aksesoris. Periksa apakah ada komponen bergerak yang tidak lurus atau macet, komponen yang pecah, dan kondisi-kondisi lain yang dapat memengaruhi pengoperasian mesin listrik. Jika rusak, perbaiki mesin listrik terlebih dahulu sebelum digunakan.** Banyak kecelakaan disebabkan oleh kurangnya pemeliharaan mesin listrik.
6. **Jaga agar mesin pemotong tetap tajam dan bersih.** Mesin pemotong yang terawat baik dengan mata pemotong yang tajam tidak mudah macet dan lebih mudah dikendalikan.
7. **Gunakan mesin listrik, aksesoris, dan mata mesin, dll. sesuai dengan petunjuk ini, dengan memperhitungkan kondisi kerja dan jenis pekerjaan yang dilakukan.** Penggunaan mesin listrik untuk penggunaan yang lain dari peruntukan dapat menimbulkan situasi berbahaya.
8. **Jagalah agar gagang dan permukaan pegangan tetap kering, bersih, dan bebas dari minyak dan pelumas.** Gagang dan permukaan pegangan yang licin tidak mendukung keamanan penanganan dan pengendalian mesin dalam situasi-situasi tak terduga.

9. **Ketika menggunakan mesin, jangan menggunakan sarung tangan kain yang dapat tersangkut.** Sarung tangan kain yang tersangkut pada komponen bergerak dapat mengakibatkan cedera pada pengguna.

Penggunaan dan pemeliharaan mesin bertenaga baterai

1. **Isi ulang baterai hanya dengan pengisi daya yang ditentukan oleh pabrik.** Pengisi daya yang cocok untuk satu jenis paket baterai dapat menimbulkan risiko kebakaran ketika digunakan untuk paket baterai yang lain.
2. **Gunakan mesin listrik hanya dengan paket baterai yang telah ditentukan secara khusus.** Penggunaan paket baterai lain dapat menimbulkan risiko cedera dan kebakaran.
3. **Ketika paket baterai tidak digunakan, jauhkan dari benda logam lain, seperti penjepit kertas, uang logam, kunci, paku, sekrup atau benda logam kecil lainnya, yang dapat menghubungkan satu terminal ke terminal lain.** Hubungan singkat terminal baterai dapat menyebabkan luka bakar atau kebakaran.
4. **Pemakaian yang salah, dapat menyebabkan keluarnya cairan dari baterai; hindari kontak. Jika terjadi kontak secara tidak sengaja, bilas dengan air. Jika cairan mengenai mata, cari bantuan medis.** Cairan yang keluar dari baterai bisa menyebabkan iritasi atau luka bakar.
5. **Jangan menggunakan paket baterai atau mesin yang sudah rusak atau telah diubah.** Baterai yang rusak atau telah diubah dapat menyebabkan hal-hal yang tidak dapat diprediksi yang dapat menyebabkan kebakaran, ledakan atau risiko cedera.
6. **Jangan membiarkan paket baterai atau mesin dekat dengan api atau suhu yang berlebihan.** Pajanan api atau suhu di atas 130 °C dapat menyebabkan ledakan.
7. **Ikuti semua petunjuk pengisian daya dan jangan mengisi daya paket baterai atau mesin di luar rentang suhu yang ditentukan di panduan.** Mengisi daya secara tidak tepat atau pada suhu di luar rentang yang ditentukan dapat merusak baterai dan meningkatkan risiko kebakaran.

Servis

1. **Berikan mesin listrik untuk diperbaiki hanya kepada oleh teknisi yang berkualifikasi dengan menggunakan hanya suku cadang pengganti yang serupa.** Hal ini akan menjamin terjaganya keamanan mesin listrik.
2. **Jangan pernah memperbaiki paket baterai yang sudah rusak.** Perbaikan paket baterai harus dilakukan hanya oleh produsen atau penyedia servis resmi.
3. **Patuhi petunjuk pelumasan dan penggantian aksesoris.**

PERINGATAN KESELAMATAN KUNCI HENTAM LISTRIK TANPA KABEL

1. Pegang mesin listrik pada permukaan genggam yang terisolasi saat melakukan pekerjaan bila pengencang mungkin bersentuhan dengan kawat tersembunyi. Pengencang yang menyentuh kawat "hidup" dapat menyebabkan bagian logam pada mesin teraliri arus listrik dan menyengat pengguna.
2. Kenakan pelindung telinga.
3. Periksa soket hentam dengan seksama terhadap adanya keausan, keretakan atau kerusakan sebelum pemasangan.
4. Pegang mesin kuat-kuat.
5. Jauhkan tangan dari bagian yang berputar.
6. Selalu pastikan Anda memiliki pijakan kuat. Pastikan tidak ada orang di bawah Anda ketika menggunakan mesin di lokasi tinggi.
7. Torsi pengencangan yang tepat bisa berbeda tergantung pada macam atau ukuran baut. Periksa torsi dengan menggunakan kunci torsi.

SIMPAN PETUNJUK INI.

⚠ PERINGATAN:

JANGAN biarkan kenyamanan atau terbiasanya Anda dengan produk (karena penggunaan berulang) mengurangi kepatuhan yang ketat terhadap aturan keselamatan untuk produk yang terkait. PENYALAHGUNAAN atau kelalaian mematuhi kaidah keselamatan yang tertera dalam petunjuk ini dapat menyebabkan cedera badan serius.

ENC007-12

PETUNJUK KESELAMATAN PENTING UNTUK KARTRID BATERAI

1. Sebelum menggunakan kartrid baterai, bacalah semua petunjuk dan penandaan pada (1) pengisi daya baterai, (2) baterai, dan (3) produk yang menggunakan baterai.
2. Jangan membongkar kartrid baterai.
3. Jika waktu beroperasinya menjadi sangat singkat, segera hentikan penggunaan. Hal tersebut dapat menimbulkan risiko panas berlebih, kemungkinan mengalami luka bakar atau bahkan terjadi ledakan.
4. Jika elektrolit mengenai mata Anda, basuh dengan air bersih dan segera cari pertolongan medis. Hal tersebut dapat mengakibatkan hilangnya kemampuan penglihatan Anda.
5. Jangan menghubungkan terminal kartrid baterai:
 - (1) Jangan menyentuh terminal dengan bahan penghantar listrik apa pun.
 - (2) Hindari menyimpan kartrid baterai pada wadah yang berisi benda logam lain seperti paku, uang logam, dsb.

- (3) Jangan membiarkan baterai terkena air atau kehujanan. Hubungan singkat baterai dapat menyebabkan aliran arus listrik yang besar, panas berlebih, kemungkinan mengalami luka bakar dan bahkan kerusakan pada baterai.
6. Jangan menyimpan mesin dan kartrid baterai pada lokasi dengan suhu yang bisa mencapai atau melebihi 50 °C.
7. Jangan membuang kartrid baterai di tempat pembakaran sampah walaupun benar-benar rusak atau tidak bisa digunakan sama sekali. Kartrid baterai bisa meledak jika terbakar.
8. Berhati-hatilah jangan sampai baterai jatuh atau terbentur.
9. Jangan menggunakan baterai yang rusak.
10. Baterai litium-ion yang disertakan sesuai dengan persyaratan Perundangan Makanan Berbahaya. Harus ada pengawasan untuk pengangkutan komersial misalnya oleh pihak ketiga, ekspediter, persyaratan khusus terhadap pengemasan dan pelabelan. Diperlukan adanya konsultasi dengan ahli mengenai material berbahaya untuk persiapan barang yang akan dikirimkan. Perhatikan pula peraturan nasional yang lebih terperinci yang mungkin ada. Beri perekat atau tutupi bagian yang terbuka dan kemasi baterai dengan cara yang tidak akan menimbulkan pergeseran dalam pengemasan.
11. Patuhi peraturan setempat yang berkaitan dengan pemuangan baterai.
12. Gunakan baterai hanya dengan produk yang ditentukan oleh Makita. Memasang baterai pada produk yang tidak sesuai dapat menyebabkan kebakaran, kelebihan panas, ledakan, atau kebocoran elektrolit.

SIMPAN PETUNJUK INI.

⚠ PERHATIAN:

- Gunakan baterai asli Makita. Penggunaan baterai Makita yang tidak asli, atau baterai yang sudah diubah, akan mengakibatkan baterai mudah terbakar, cedera dan kerusakan. Akan menghilangkan garansi Makita pada pengisi daya dan alat Makita.

Tip untuk menjaga agar umur pemakaian baterai maksimum

1. Isi ulang kartrid baterai sebelum habis sama sekali. Selalu hentikan penggunaan mesin dan ganti kartrid baterai jika Anda melihat bahwa mesin kurang tenaga.
2. Jangan pernah mengisi ulang kartrid baterai yang sudah diisi penuh. Pengisian ulang yang berlebih memperpendek umur pemakaian baterai.
3. Isi ulang kartrid baterai pada suhu ruangan 10 °C - 40 °C. Biarkan kartrid baterai yang panas menjadi dingin terlebih dahulu sebelum diisi ulang.
4. Isi ulang daya kartrid baterai jika Anda tidak menggunakannya untuk jangka waktu yang lama (lebih dari enam bulan).

DESKRIPSI FUNGSI

⚠ PERHATIAN:

- Selalu pastikan bahwa mesin dimatikan dan kartrid baterai dilepas sebelum menyetel atau memeriksa kerja mesin.

Memasang atau melepas kartrid baterai (Gb. 1)

- Selalu matikan mesin sebelum pemasangan atau pelepasan kartrid baterai.
- Untuk melepas kartrid baterai, tarik dari mesin sambil menggeser tombol pada bagian depan kartrid.
- Untuk memasukkan kartrid baterai, sejajarkan lidah kartrid baterai dengan alur pada rumah dan masukkan ke dalam tempatnya. Selalu masukkan seluruhnya sampai terkunci pada tempatnya dan terdengar bunyi klik kecil. Jika Anda bisa melihat bagian berwarna merah pada sisi atas tombol, berarti tidak terkunci sepenuhnya. Masukkan sepenuhnya sampai bagian berwarna merah tidak terlihat. Jika tidak, bisa terlepas dari mesin secara tidak sengaja, menyebabkan luka pada Anda atau orang di sekitar Anda.
- Jangan dipaksakan ketika memasukkan kartrid baterai. Jika kartrid tidak bergeser dengan mudah, berarti tidak dimasukkan dengan benar.

Menunjukkan kapasitas baterai yang tersisa (Gb. 2)

Hanya untuk kartrid baterai dengan indikator

Tekan tombol pemeriksaan pada kartrid baterai untuk melihat kapasitas baterai yang tersisa. Lampu indikator menyala selama beberapa detik.

Lampu indikator			Kapasitas yang tersisa
Menyala	Mati	Berkedip	
			75% hingga 100%
			50% hingga 75%
			25% hingga 50%
			0% hingga 25%
			Isi ulang baterai.
			Baterai mungkin sudah rusak.

CATATAN:

- Tergantung kondisi penggunaan dan suhu lingkungannya, penunjukkan mungkin saja sedikit berbeda dari kapasitas sebenarnya.

Kerja saklar (Gb. 3)

⚠ PERHATIAN:

- Sebelum memasukkan kartrid baterai pada mesin, pastikan picu saklar berfungsi dengan baik dan kembali ke posisi "OFF" saat dilepas.
- Ubah arah putaran hanya setelah mesin benar-benar berhenti. Mengubahnya sebelum mesin berhenti dapat merusak mesin.

Saklar bisa dibalik arahnya, menghasilkan putaran baik searah jarum jam maupun berlawanan arah jarum jam. Untuk menjalankan mesin, cukup tarik bagian bawah (A) picu saklar untuk searah jarum jam atau bagian atas (B) untuk berlawanan arah jarum jam. Lepaskan picu saklar untuk berhenti.

Menyalakan lampu depan (Gb. 4)

⚠ PERHATIAN:

- Jangan melihat lampu atau sumber cahaya secara langsung.

Dorong posisi atas saklar lampu untuk menyalakan lampu dan posisi bawah untuk mematikannya.

CATATAN:

- Gunakan kain kering untuk mengelap kotoran dari lensa lampu. Hati-hati jangan sampai menggores lensa lampu, atau hal tersebut dapat menurunkan tingkat penerangannya.
- Lampu dilengkapi dengan sirkuit anti pengosongan berlebihan. Bila lampu tidak menyala meskipun tombol lampu dinyalakan, kemungkinan terjadi penurunan daya baterai. Cobalah untuk mengisi daya kartrid baterai.
- Posisikan saklar lampu tetap pada posisi "off" bila tidak membutuhkan penerangan.

PERAKITAN

⚠ PERHATIAN:

- Selalu pastikan bahwa mesin dimatikan dan kartrid baterai dilepas sebelum melakukan pekerjaan apapun pada mesin.

Memilih soket yang tepat

Selalu gunakan ukuran soket yang tepat untuk baut dan mur. Ukuran soket yang tidak tepat akan mengakibatkan torsi pengencangan yang tidak akurat dan konsisten dan/atau merusak baut atau mur.

Memasang atau melepas soket hentam

Negara tertentu

⚠ PERHATIAN:

- Pastikan soket hentam dan bagian dudukan tidak rusak sebelum memasang soket hentam.
- Setelah memasang soket hentam, pastikan terpasang dengan kuat. Jika menonjol keluar, jangan digunakan.

Mesin dengan pegas cincin

Untuk soket hentam tanpa cincin-O dan pasak (Gb. 5)

Dorong soket hentam pada kepala persegi sampai terkunci di tempatnya.

Untuk melepas soket hentam, cukup tarik soket.

Untuk soket hentam dengan cincin-O dan pasak (Gb. 6)

Lepaskan cincin-O dari alur pada soket hentam dan lepas pasak dari soket hentam. Pasang soket hentam pada kepala persegi sehingga lubang pada soket hentam sejajar dengan lubang pada kepala persegi.

Masukkan pasak melalui lubang pada soket hentam dan kepala persegi. Lalu kembalikan cincin-O ke posisi semula dan alur soket hentam untuk menahan pasak. Untuk melepas soket hentam, ikuti urutan terbalik dari prosedur pemasangan.

Mesin dengan pasak penahan (Gb. 7)

Sejajarkan lubang di sisi soket hentam dengan pasak penahan di kepala persegi dan dorong soket hentam pada kepala persegi sampai terkunci di tempatnya. Ketuk sedikit bila perlu.

Untuk melepas soket hentam, cukup tarik soket. Jika sulit melepaskan soket hentam, tekan pasak penahan sambil menarik soket hentam.

Kait (Gb. 8)

⚠ PERHATIAN:

- Setelah memasang kait, pastikan disekrup dengan kuat.

Kait bisa digunakan untuk menggantung mesin sementara. Bisa dipasang pada salahsatu sisi mesin. Untuk memasang kait, masukkan ke dalam alur pada rumah mesin pada salah satu sisinya dan kemudian kencangkan dengan sekrup. Untuk melepasnya, kendurkan sekrup dan kemudian tarik keluar.

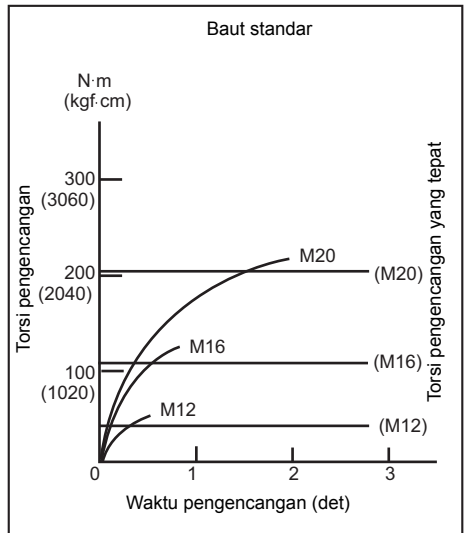
PENGGUNAAN

⚠ PERHATIAN:

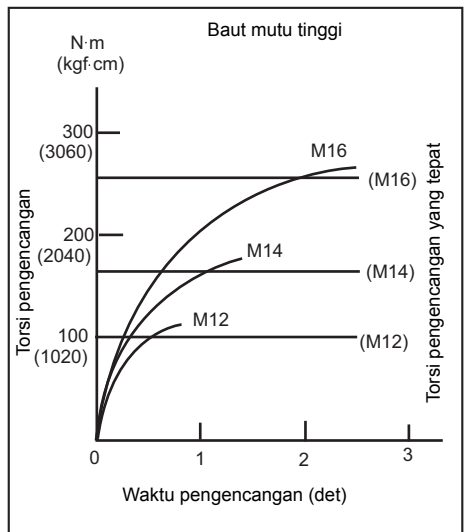
- Selalu masukkan kartrid baterai seluruhnya sampai terkunci pada tempatnya dan terdengar bunyi klik kecil. Jika Anda bisa melihat bagian berwarna merah pada sisi atas tombol, berarti tidak terkunci sepenuhnya. Masukkan sepenuhnya sampai bagian berwarna merah tidak terlihat. Jika tidak, bisa terlepas dari mesin secara tidak sengaja, menyebabkan luka pada Anda atau orang di sekitar Anda.

Pegang mesin kuat-kuat dan posisikan soket pada baut atau mur. Nyalakan mesin dan kencangkan selama waktu pengencangan yang sesuai. (Gb. 9)

Torsi pengencangan yang tepat bisa berbeda tergantung pada macam atau ukuran baut, bahan benda kerja yang akan dikencangkan, dsb. Hubungan antara torsi pengencangan dan waktu pengencangan ditunjukkan pada gambar.



008486



008487

CATATAN:

- Tahan mesin pada posisi tegak lurus terhadap baut atau mur.
- Torsi pengencangan yang berlebihan dapat merusak baut/mur atau soket. Sebelum melakukan pekerjaan Anda, selalu lakukan uji-coba untuk menentukan waktu pengencangan yang sesuai bagi baut atau mur Anda.
- Jika mesin terus-menerus digunakan sampai kartrid baterai habis, istirahatkan mesin selama 15 menit sebelum melakukannya lagi dengan kartrid baterai yang penuh.

Torsi pengencangan dipengaruhi oleh berbagai macam faktor termasuk hal-hal berikut ini. Setelah pengencangan, selalu periksa torsi dengan kunci torsi.

1. Ketika kartrid baterai hampir benar-benar habis, tegangan akan turun dan torsi pengencangan akan berkurang.
2. Soket
 - Kesalahan penggunaan soket dengan ukuran yang tepat akan menyebabkan penurunan torsi pengencangan.
 - Soket yang aus (aus pada ujung segi-enam atau ujung persegi) akan menyebabkan penurunan torsi pengencangan.
3. Baut
 - Walaupun koefisien torsi dan kelas bautnya sama, torsi pengencangan yang tepat akan berbeda sesuai dengan diameter baut.
 - Walaupun diameter bautnya sama, torsi pengencangan yang tepat akan berbeda sesuai dengan koefisien torsi, kelas baut dan panjang baut.
4. Penggunaan sambungan universal atau batang sambungan agak sedikit menurunkan torsi pengencangan kunci hentam. Imbangi dengan pengencangan dalam jangka waktu yang lebih lama.
5. Sikap ketika memegang mesin atau posisi bahan yang akan dipasang sekrup akan mempengaruhi torsi.
6. Menggunakan mesin pada kecepatan rendah akan menyebabkan penurunan torsi pengencangan.

PERAWATAN

⚠ PERHATIAN:

- Selalu pastikan bahwa mesin dimatikan dan kartrid baterai dilepas sebelum melakukan pemeriksaan atau perawatan.
- Jangan sekali-kali menggunakan bensin, tiner, alkohol, atau bahan sejenisnya. Penggunaan bahan demikian dapat menyebabkan perubahan warna, perubahan bentuk atau timbulnya retakan.

Mengganti sikat karbon

Lepas dan periksa sikat karbon secara teratur. Lepas ketika aus sampai tanda batas. Jaga agar sikat karbon tetap bersih dan tidak bergeser dari tempatnya. Kedua sikat karbon harus diganti pada waktu yang sama. Hanya gunakan sikat karbon yang sama. **(Gb. 10)**

Gunakan obeng untuk melepas tutup tempat sikat. Tarik keluar sikat karbon yang aus, masukkan yang baru dan pasang tutup tempat sikat. **(Gb. 11)**

Untuk menjaga KEAMANAN dan KEANDALAN mesin, perbaikan, perawatan atau penyetulan lain harus dilakukan oleh Pusat Layanan Resmi Makita dan selalu gunakan suku cadang pengganti buatan Makita.

PILIHAN AKSESORI

⚠ PERHATIAN:

- Dianjurkan untuk menggunakan aksesoris atau perangkat tambahan ini dengan mesin Makita Anda yang ditentukan dalam petunjuk ini. Penggunaan aksesoris atau perangkat tambahan lain bisa menyebabkan risiko cedera pada manusia. Hanya gunakan aksesoris atau perangkat tambahan sesuai dengan peruntukannya.

Jika Anda memerlukan bantuan lebih rinci berkenaan dengan aksesoris ini, tanyakan pada Pusat Layanan Makita terdekat.

- Soket
- Batang sambungan
- Sambungan universal
- Adaptor mata mesin
- Baterai dan pengisi daya asli buatan Makita

CATATAN:

- Beberapa item dalam daftar tersebut mungkin sudah termasuk dalam paket mesin sebagai aksesoris standar. Hal tersebut dapat berbeda dari satu negara ke negara lainnya.

TIẾNG VIỆT

Giải thích về hình vẽ tổng thể

- | | | |
|---------------------------|--------------------|-------------------|
| 1. Phần màu đỏ | 8. Công tắc đèn | 15. Chốt hãm |
| 2. Nút | 9. Đầu bắt vít | 16. Rãnh |
| 3. Hộp pin | 10. Đầu quay vuông | 17. Vít |
| 4. Các đèn chỉ báo | 11. Vòng lò xo | 18. Móc treo |
| 5. Nút Kiểm tra | 12. Vòng chữ O | 19. Vạch giới hạn |
| 6. Cần khởi động công tắc | 13. Chốt | 20. Nắp giữ chốt |
| 7. Đèn | 14. Lỗ | 21. Tuốc-nơ-vít |

THÔNG SỐ KỸ THUẬT

	Kiểu	DTW450
Công suất	Bu-lông thường	M12 - M22
	Bu-lông cường độ cao	M12 - M16
	Đầu quay vuông	12,7 mm
	Tốc độ không tải (phút ⁻¹)	1.600
	Số lần vận mỗi phút	2.200
	Lực vận xiết tối đa	440 N·m
	Chiều dài tổng thể	266 mm
	Khối lượng tịnh	3,1 - 3,4 kg
	Hiệu điện thế định mức	D.C.18 V

- Do chương trình nghiên cứu và phát triển liên tục của chúng tôi nên các thông số kỹ thuật trong đây có thể thay đổi mà không cần thông báo trước.
- Các thông số kỹ thuật có thể thay đổi tùy theo từng quốc gia.
- Khối lượng máy có thể khác nhau tùy thuộc vào (các) phụ kiện, bao gồm cả hộp pin. Tổ hợp nhẹ nhất và nặng nhất, theo Quy trình EPTA 01/2014, được trình bày trong bảng.

Hộp pin và sạc pin có thể áp dụng

Hộp pin	BL1815N / BL1820 / BL1820B / BL1830 / BL1830B / BL1840 / BL1840B / BL1850 / BL1850B / BL1860B
Bộ sạc	DC18RC / DC18RD / DC18RE / DC18SD / DC18SE / DC18SF

- Một số hộp pin và sạc pin được nêu trong danh sách ở trên có thể không khả dụng tùy thuộc vào khu vực cư trú của bạn.

⚠ CẢNH BÁO: Chỉ sử dụng hộp pin và sạc pin được nêu trong danh sách ở trên. Việc sử dụng bất cứ hộp pin và sạc pin nào khác có thể gây ra thương tích và/hoặc hỏa hoạn.

END004-6

GEA013-2

Ký hiệu

Phần dưới đây cho biết các ký hiệu được dùng cho thiết bị. Đảm bảo rằng bạn hiểu rõ ý nghĩa của các ký hiệu này trước khi sử dụng.



..... Đọc tài liệu hướng dẫn.

ENE036-1

Mục đích sử dụng

Dụng cụ này được dùng để gắn bulông và đai ốc.

Cảnh báo An toàn Chung dành cho Dụng cụ Máy

⚠ CẢNH BÁO: Xin đọc tất cả các cảnh báo an toàn, hướng dẫn, minh họa và thông số kỹ thuật đi kèm với dụng cụ máy này. Việc không tuân theo các hướng dẫn được liệt kê dưới đây có thể dẫn đến điện giật, hỏa hoạn và/hoặc thương tích nghiêm trọng.

Lưu giữ tất cả cảnh báo và hướng dẫn để tham khảo sau này.

Thuật ngữ “dụng cụ máy” trong các cảnh báo đề cập đến dụng cụ máy (có dây) được vận hành bằng nguồn điện chính hoặc dụng cụ máy (không dây) được vận hành bằng pin của bạn.

An toàn tại nơi làm việc

1. **Giữ nơi làm việc sạch sẽ và có đủ ánh sáng.** Nơi làm việc bừa bộn hoặc tối thường dễ gây ra tai nạn.
2. **Không vận hành dụng cụ máy trong môi trường cháy nổ, ví dụ như môi trường có sự hiện diện của các chất lỏng, khí hoặc bụi dễ cháy.** Các dụng cụ máy tạo tia lửa điện có thể làm bụi hoặc khí bốc cháy.
3. **Giữ trẻ em và người ngoài tránh xa nơi làm việc khi đang vận hành dụng cụ máy.** Sự xao lãng có thể khiến bạn mất khả năng kiểm soát.

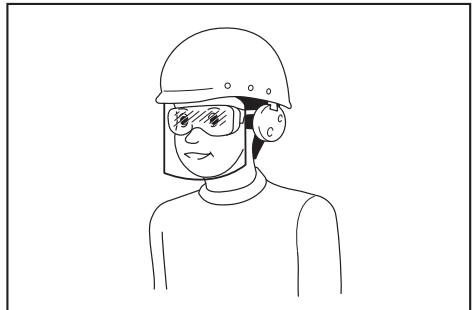
An toàn về Điện

1. **Phích cắm của dụng cụ máy phải khớp với ổ cắm. Không được sửa đổi phích cắm theo bất kỳ cách nào. Không sử dụng bất kỳ phích chuyển đổi nào với các dụng cụ máy được nối đất (tiếp đất).** Các phích cắm còn nguyên vẹn và ổ cắm phù hợp sẽ giảm nguy cơ điện giật.
2. **Tránh để cơ thể tiếp xúc với các bề mặt nóng hoặc tiếp đất như đường ống, bộ tản nhiệt, bếp ga và tủ lạnh.** Nguy cơ bị điện giật sẽ tăng lên nếu cơ thể bạn được nối đất hoặc tiếp đất.
3. **Không để dụng cụ máy tiếp xúc với mưa hoặc trong điều kiện ẩm ướt.** Nước lọt vào dụng cụ máy sẽ làm tăng nguy cơ điện giật.
4. **Không lạm dụng dây điện. Không được phép sử dụng dây để mang, kéo hoặc tháo phích cắm dụng cụ máy. Giữ dây tránh xa nguồn nhiệt, dầu, các mép sắc hoặc các bộ phận chuyển động.** Dây bị hỏng hoặc bị rối sẽ làm tăng nguy cơ điện giật.
5. **Khi vận hành dụng cụ máy ngoài trời, hãy sử dụng dây kéo dài phù hợp cho việc sử dụng ngoài trời.** Việc dùng dây phù hợp cho việc sử dụng ngoài trời sẽ giảm nguy cơ điện giật.
6. **Nếu bắt buộc phải vận hành dụng cụ máy ở nơi ẩm ướt, hãy sử dụng nguồn cấp điện được bảo vệ bằng thiết bị ngắt dòng điện rò (RCD).** Việc sử dụng RCD sẽ làm giảm nguy cơ điện giật.
7. **Các dụng cụ máy có thể tạo ra từ trường điện (EMF) có hại cho người dùng.** Tuy nhiên, người dùng máy trợ tim và những thiết bị y tế tương tự khác nên liên hệ với nhà sản xuất thiết bị và/hoặc bác sỹ để được tư vấn trước khi vận hành dụng cụ này.

An toàn Cá nhân

1. **Luôn tinh táo, quan sát những việc bạn đang làm và sử dụng những phán đoán theo kinh nghiệm khi vận hành dụng cụ máy. Không sử dụng dụng cụ máy khi bạn đang mệt mỏi hoặc chịu ảnh hưởng của ma túy, rượu hay thuốc.** Chỉ một khoảnh khắc không tập trung khi đang vận hành dụng cụ máy cũng có thể dẫn đến thương tích cá nhân nghiêm trọng.

2. **Sử dụng thiết bị bảo hộ cá nhân. Luôn đeo thiết bị bảo vệ mắt.** Các thiết bị bảo hộ như mặt nạ chống bụi, giày an toàn chống trượt, mũ bảo hộ hay thiết bị bảo vệ thính giác được sử dụng trong các điều kiện thích hợp sẽ giúp giảm thương tích cá nhân.
3. **Tránh vô tình khởi động dụng cụ máy. Đảm bảo công tắc ở vị trí off (tắt) trước khi nối nguồn điện và/hoặc bộ pin, cầm hoặc di chuyển dụng cụ máy.** Việc di chuyển dụng cụ máy khi đang đặt ngón tay ở vị trí công tắc hoặc cấp điện cho dụng cụ máy đang bật thường dễ gây ra tai nạn.
4. **Tháo tất cả các khóa hoặc cờ lê điều chỉnh trước khi bật dụng cụ máy.** Việc cờ lê hoặc khóa vẫn còn gắn vào bộ phận quay của dụng cụ máy có thể dẫn đến thương tích cá nhân.
5. **Không với quá cao. Luôn giữ thăng bằng tốt và có chỗ để chân phù hợp.** Điều này cho phép điều khiển dụng cụ máy tốt hơn trong những tình huống bất ngờ.
6. **Ăn mặc phù hợp. Không mặc quần áo rộng hay đeo đồ trang sức. Giữ tóc và quần áo tránh xa các bộ phận chuyển động.** Quần áo rộng, đồ trang sức hay tóc dài có thể mắc vào các bộ phận chuyển động.
7. **Nếu các thiết bị được cung cấp để kết nối các thiết bị thu gom và hút bụi, hãy đảm bảo chúng được kết nối và sử dụng hợp lý.** Việc sử dụng thiết bị thu gom bụi có thể làm giảm những mối nguy hiểm liên quan đến bụi.
8. **Không vì quen thuộc do thường xuyên sử dụng các dụng cụ mà cho phép bạn trở nên tự mãn và bỏ qua các nguyên tắc an toàn dụng cụ.** Một hành động bất cẩn có thể gây ra thương tích nghiêm trọng trong một phần của một giây.
9. **Luôn luôn mang kính bảo hộ để bảo vệ mắt khỏi bị thương khi đang sử dụng các dụng cụ máy. Kính bảo hộ phải tuân thủ ANSI Z87.1 ở Mỹ, EN 166 ở Châu Âu, hoặc AS/NZS 1336 ở Úc/New Zealand. Tại Úc/New Zealand, theo luật pháp, bạn cũng phải mang mặt nạ che mặt để bảo vệ mặt.**



Trách nhiệm của chủ lao động là bắt buộc người vận hành dụng cụ và những người khác trong khu vực làm việc cạnh đó phải sử dụng các thiết bị bảo hộ an toàn thích hợp.

Sử dụng và bảo quản dụng cụ máy

1. **Không dùng lực đối với dụng cụ máy. Sử dụng đúng dụng cụ máy cho công việc của bạn.** Sử dụng đúng dụng cụ máy sẽ giúp thực hiện công việc tốt hơn và an toàn hơn theo giá trị định mức được thiết kế của dụng cụ máy đó.

2. Không sử dụng dụng cụ máy nếu công tắc không bật và tắt được dụng cụ máy đó. Mọi dụng cụ máy không thể điều khiển được bằng công tắc đều rất nguy hiểm và phải được sửa chữa.
3. Rút phích cắm ra khỏi nguồn điện và/hoặc tháo kết nối bộ pin khỏi dụng cụ máy, nếu có thể tháo rời trước khi thực hiện bất kỳ công việc điều chỉnh, thay đổi phụ tùng hay cất giữ dụng cụ máy nào. Những biện pháp an toàn phòng ngừa này sẽ giảm nguy cơ vô tình khởi động dụng cụ máy.
4. Cất giữ các dụng cụ máy không sử dụng ngoài tầm với của trẻ em và không cho bất kỳ người nào không có hiểu biết về dụng cụ máy hoặc các hướng dẫn này vận hành dụng cụ máy. Dụng cụ máy sẽ rất nguy hiểm nếu được sử dụng bởi những người dùng chưa qua đào tạo.
5. Bảo dưỡng dụng cụ máy và các phụ kiện. Kiểm tra tình trạng lệch trục hoặc bó kẹt của các bộ phận chuyển động, hiện tượng nứt vỡ của các bộ phận và mọi tình trạng khác mà có thể ảnh hưởng đến hoạt động của dụng cụ máy. Nếu có hỏng hóc, hãy sửa chữa dụng cụ máy trước khi sử dụng. Nhiều tai nạn xảy ra là do không bảo quản tốt dụng cụ máy.
6. Luôn giữ cho dụng cụ cất được sắc bén và sạch sẽ. Những dụng cụ cất được bảo quản tốt có mép cắt sắc sẽ ít bị kẹt hơn và dễ điều khiển hơn.
7. Sử dụng dụng cụ máy, phụ tùng và đầu dụng cụ cắt, v.v... theo các hướng dẫn này, có tính đến điều kiện làm việc và công việc được thực hiện. Việc sử dụng dụng cụ máy cho các công việc khác với công việc dự định có thể gây nguy hiểm.
8. Giữ tay cầm và bề mặt tay cầm khô, sạch, không dính dầu và mỡ. Tay cầm trơn trượt và bề mặt tay cầm không cho phép xử lý an toàn và kiểm soát dụng cụ trong các tình huống bất ngờ.
9. Khi sử dụng dụng cụ, không được đi gang tay lao động bằng vải, có thể bị vướng. Việc gang tay lao động bằng vải vướng vào các bộ phận chuyển động có thể gây ra thương tích cá nhân.

Sử dụng và bảo quản dụng cụ dùng pin

1. Chỉ sạc pin lại với bộ sạc do nhà sản xuất quy định. Bộ sạc phù hợp với một loại bộ pin này có thể gây ra nguy cơ hỏa hoạn khi được dùng cho một bộ pin khác.
2. Chỉ sử dụng các dụng cụ máy với các bộ pin được quy định cụ thể. Việc sử dụng bất cứ bộ pin nào khác có thể gây ra thương tích và hỏa hoạn.
3. Khi không sử dụng bộ pin, hãy giữ tránh xa các đồ vật khác bằng kim loại, chẳng hạn như kẹp giấy, tiền xu, chìa khóa, đinh, ốc vít hoặc các vật nhỏ bằng kim loại mà có thể làm nối tắt các đầu cực pin. Các đầu cực pin bị đoản mạch có thể gây cháy hoặc hỏa hoạn.
4. Trong điều kiện sử dụng quá mức, pin có thể bị chảy nước; hãy tránh tiếp xúc. Nếu vô tình tiếp xúc với pin bị chảy nước, hãy rửa sạch bằng nước. Nếu dung dịch từ pin tiếp xúc với mắt, cần đi khám bác sĩ thêm. Dung dịch chảy ra từ pin có thể gây rất da hoặc bỏng.
5. Không sử dụng bộ pin hoặc dụng cụ bị hư hỏng hoặc đã bị sửa đổi. Pin đã bị hư hỏng hoặc đã bị sửa đổi có thể hành động theo cách không thể đoán trước dẫn đến cháy, nổ hoặc nguy cơ chấn thương.

6. Không để bộ pin hoặc dụng cụ tiếp xúc với lửa hoặc nhiệt độ quá cao. Tiếp xúc với lửa hoặc nhiệt độ trên 130 °C có thể gây ra cháy nổ.
7. Làm theo tất cả các hướng dẫn sạc pin và không được sạc bộ pin hoặc dụng cụ vượt giới hạn nhiệt độ quy định trong hướng dẫn. Sạc pin không đúng hoặc ở nhiệt độ vượt giới hạn nhiệt độ có thể gây hư hỏng cho pin và làm tăng nguy cơ cháy.

Bảo dưỡng

1. Để nhân viên sửa chữa đủ trình độ bảo dưỡng dụng cụ máy của bạn và chỉ sử dụng các bộ phận thay thế đồng nhất. Việc này sẽ đảm bảo duy trì được độ an toàn của dụng cụ máy.
2. Không bao giờ sử dụng bộ pin đã hỏng. Dịch vụ bảo hành bộ pin chỉ nên thực hiện bởi nhà sản xuất hoặc các nhà cung cấp dịch vụ được ủy quyền.
3. Tuân theo hướng dẫn dành cho việc bôi trơn và thay phụ tùng.

GEB138-1

CẢNH BÁO AN TOÀN ĐỐI VỚI MÁY BẮT BULÔNG CHẠY PIN

1. Cầm dụng cụ máy tại bề mặt kẹp cách điện khi thực hiện một thao tác trong đó bộ phận kẹp có thể tiếp xúc với dây dẫn điện kín bên dưới. Bộ phận kẹp tiếp xúc với dây dẫn "có điện" có thể khiến các bộ phận kim loại bị hở của dụng cụ máy "có điện" và làm cho người vận hành bị điện giật.
2. Đeo thiết bị bảo vệ tai.
3. Kiểm tra đầu bắt vít thật kỹ xem có bị mòn, nứt hoặc hư hỏng không trước khi lắp.
4. Cầm chắc dụng cụ.
5. Giữ tay tránh xa các bộ phận quay.
6. Luôn chắc chắn rằng bạn có chỗ tựa chân vững chắc. Đảm bảo rằng không có ai ở bên dưới khi sử dụng dụng cụ ở những vị trí trên cao.
7. Lực vận xiết phù hợp có thể khác biệt tùy theo loại hoặc kích thước bu-lông. Kiểm tra mô-men xoay bằng có-lê lực.

LƯU GIỮ CÁC HƯỚNG DẪN NÀY.

⚠ CẢNH BÁO:

KHÔNG vi phạm mái hay quen thuộc với sản phẩm (có được do sử dụng nhiều lần) mà không tuân thủ nghiêm ngặt các quy định về an toàn dành cho sản phẩm này.

VIỆC DÙNG SAI hoặc không tuân theo các quy định về an toàn được nêu trong tài liệu hướng dẫn này có thể dẫn đến thương tích cá nhân nghiêm trọng.

ENC007-12

HƯỚNG DẪN QUAN TRỌNG VỀ AN TOÀN DÀNH CHO HỘP PIN

1. Trước khi sử dụng hộp pin, hãy đọc kỹ tất cả các hướng dẫn và dấu hiệu cảnh báo trên (1) bộ sạc pin, (2) pin và (3) sản phẩm sử dụng pin.
2. Không tháo rời hộp pin.

- Nếu thời gian vận hành ngắn hơn quá mức, hãy ngừng vận hành ngay lập tức. Điều này có thể dẫn đến rủi ro quá nhiệt, có thể gây bỏng và thậm chí là nổ.
- Nếu chất điện phân rơi vào mắt, hãy rửa sạch bằng nước sạch và đến cơ sở y tế ngay lập tức. Chất này có thể khiến bạn giảm thị lực.
- Không để hộp pin ở tình trạng đoản mạch:
 - Không chạm vào cực pin bằng vật liệu dẫn điện.
 - Tránh cất giữ hộp pin trong hộp có các vật kim loại khác như đinh, tiền xu, v.v...
 - Không được để hộp pin tiếp xúc với nước hoặc mưa. Đuàn mạch pin có thể gây ra dòng điện lớn, quá nhiệt, có thể gây bỏng và thậm chí là hỏng hóc.
- Không cất giữ dụng cụ và hộp pin ở nơi nhiệt độ có thể lên tới hoặc vượt quá 50°C.
- Không đốt hộp pin ngay cả khi hộp pin đã bị hư hại nặng hoặc hư hỏng hoàn toàn. Hộp pin có thể nổ khi tiếp xúc với lửa.
- Hãy cẩn trọng không làm rơi hoặc làm méo pin.
- Không sử dụng pin đã hỏng.
- Pin nén lithium-ion là đối tượng có yêu cầu bắt buộc theo Luật Hàng hoá Nguy hiểm.

Đối với vận tải thương mại, ví dụ như vận tải do bên thứ ba, đại lý giao nhận, thì yêu cầu đặc biệt về đóng gói và nhãn ghi phải được giám sát.

Để chuẩn bị cho mặt hàng cần vận chuyển, cần phải tham khảo ý kiến chuyên gia về vật liệu nguy hiểm. Nếu được, vui lòng tuân thủ các quy định quốc gia chi tiết hơn.

Buộc hoặc niêm phong các tiếp điểm mở và đóng gói pin theo cách đó để nó không thể di chuyển trong bao bì.

- Tuân theo các quy định của địa phương liên quan đến việc thái bỏ pin.
- Chỉ sử dụng pin cho các sản phẩm Makita chi định. Lắp pin vào sản phẩm không thích hợp có thể gây ra hoá hoạn, quá nhiệt, nổ, hoặc rò chất điện phân.

LƯU GIỮ CÁC HƯỚNG DẪN NÀY.

⚠ CẢN TRỌNG:

- Chỉ sử dụng pin Makita chính hãng. Việc sử dụng pin không chính hãng Makita, hoặc pin đã được sửa đổi, có thể dẫn đến nổ pin gây ra cháy, thương tích và thiệt hại cá nhân. Nó cũng sẽ làm mất hiệu lực bảo hành của Makita dành cho dụng cụ của Makita và bộ sạc.

Mẹo duy trì tuổi thọ tối đa cho pin

- Sạc hộp pin trước khi pin bị xả điện hoàn toàn. Luôn dừng việc vận hành dụng cụ và sạc pin khi bạn nhận thấy công suất dụng cụ bị giảm.
- Không được phép sạc lại một hộp pin đã được sạc đầy. Sạc quá mức sẽ làm giảm tuổi thọ của pin.
- Sạc pin ở nhiệt độ phòng 10°C - 40°C. Để cho hộp pin nóng nguội lại dần trước khi sạc pin.
- Sạc pin sáu tháng một lần nếu bạn không sử dụng dụng cụ trong một thời gian dài (hơn sáu tháng).

MÔ TẢ CHỨC NĂNG

⚠ CẢN TRỌNG:

- Luôn đảm bảo rằng đã tắt dụng cụ và tháo hộp pin ra trước khi thực hiện việc điều chỉnh hoặc kiểm tra chức năng trên dụng cụ.

Lắp hoặc tháo gỡ hộp pin (Hình 1)

- Luôn tắt dụng cụ trước khi lắp hoặc tháo hộp pin.
- Để tháo hộp pin, hãy rút nó ra từ dụng cụ trong lúc trượt nút ở phía trước hộp mực.
- Để lắp hộp pin vào, hãy canh chỉnh phần chốt của hộp pin vào phần rãnh nằm trên vỏ và trượt chốt vào vị trí. Luôn trượt hết mức đến khi nào chốt khóa đứng vào vị trí với một tiếng click nhẹ. Nếu bạn vẫn còn nhìn thấy phần màu đỏ phía trên nút bấm, chốt vẫn chưa được khóa hoàn toàn. Lắp chốt hoàn toàn vào vị trí cho đến khi không thể nhìn thấy phần màu đỏ. Nếu không, chốt có thể vô tình rơi ra khỏi dụng cụ, gây thương tích cho bạn hoặc người khác xung quanh.
- Không được ấn mạnh khi lắp hộp pin. Nếu hộp pin không nhẹ nhàng trượt vào vị trí, có nghĩa là pin vẫn chưa được lắp đúng.

Chỉ báo dung lượng pin còn lại (Hình 2)

Chỉ dành cho hộp pin có đèn chỉ báo

Ấn nút check (kiểm tra) trên hộp pin để chỉ báo dung lượng pin còn lại. Các đèn chỉ báo bật sáng lên trong vài giây.

Các đèn chỉ báo			Dung lượng còn lại
Bật sáng	Tắt	Nhấp nháy	
			75% đến 100%
			50% đến 75%
			25% đến 50%
			0% đến 25%
			Sạc pin.
			Pin có thể đã bị hỏng.

LƯU Ý:

- Tùy thuộc vào các điều kiện sử dụng và nhiệt độ xung quanh, việc chỉ báo có thể khác biệt một chút so với dung lượng thực sự.

Hoạt động công tắc (Hình 3)

⚠ CẢN TRỌNG:

- Trước khi lắp hộp pin vào dụng cụ, luôn luôn kiểm tra xem cần khởi động công tắc có hoạt động bình thường hay không và trả về vị trí "OFF" (TẮT) khi nhả ra.

- Thay đổi chiều xoay chỉ khi nào dụng cụ đã dừng lại hoàn toàn. Việc đổi chiều xoay trước khi dụng cụ dừng lại có thể làm hỏng dụng cụ.

Công tắc có thể bật qua bật lại, cho phép xoay theo chiều kim đồng hồ hoặc ngược theo chiều kim đồng hồ. Để khởi động dụng cụ chỉ cần kéo phần dưới thấp (A) của cần khởi động công tắc để xoay theo chiều kim đồng hồ hoặc phần trên (B) để xoay theo ngược chiều kim đồng hồ. Nhả cần khởi động công tắc ra để dừng.

Bật đèn trước (Hình 4)

⚠ CẢN TRỌNG:

- Đừng nhìn thẳng trực tiếp vào đèn hoặc nguồn sáng. Nhìn vào vị trí phía trên của công tắc đèn để bật đèn và vị trí dưới để tắt đèn.

LƯU Ý:

- Dùng vải khô để lau bụi bẩn trên kính đèn. Cần thận trọng không được làm xước kính đèn, nếu không đèn có thể bị giảm độ sáng.
- Đèn chiếu được trang bị mạch chống xả điện quá mức. Khi đèn không sáng ngay cả sau khi bật công tắc đèn, khả năng hầu như là do pin bị tụt áp. Hãy thử sạc lại hộp pin.
- Giữ công tắc đèn ở vị trí "off" (tắt) những khi không cần đèn chiếu sáng.

LẮP RÁP

⚠ CẢN TRỌNG:

- Luôn đảm bảo rằng đã tắt dụng cụ và tháo hộp pin ra trước khi thực hiện bất cứ thao tác nào trên dụng cụ.

Chọn đúng đầu tuýp (socket)

Luôn sử dụng đầu tuýp đúng kích thước cho các loại bulông và đai ốc. Đầu vận không đúng kích thước sẽ làm cho lực vặn xiết không chính xác và không ổn định và/hoặc làm hư hỏng bulông hoặc đai ốc.

Lắp hoặc tháo đầu bắt vít

Đặc trưng quốc gia

⚠ CẢN TRỌNG:

- Đảm bảo rằng đầu bắt vít và phần gắn không bị hư hỏng trước khi lắp đầu bắt vít.
- Sau khi đẩy đầu tuýp va đập vào, đảm bảo rằng đầu tuýp được giữ chặt. Nếu mũi vít rời ra, đừng sử dụng nó nữa.

Dụng cụ với vòng lò xo

Đối với đầu bắt vít không có vòng chữ O và chốt (Hình 5)

Đẩy đầu bắt vít vào đầu quay vuông cho đến khi khớp vào vị trí.

Để tháo đầu bắt vít, chỉ cần kéo nó ra.

Đối với đầu bắt vít có vòng chữ O và chốt (Hình 6)

Đẩy vòng chữ O ra khỏi rãnh trong đầu bắt vít và tháo chốt khỏi đầu bắt vít. Gắn khớp đầu bắt vít vào đầu quay vuông sao cho lỗ trên đầu bắt vít được căn chỉnh với lỗ trên đầu quay vuông.

Lắp chốt xuyên qua lỗ trong đầu bắt vít và đầu quay vuông. Sau đó xoay vòng chữ O về vị trí ban đầu trong rãnh đầu bắt vít để giữ chốt lại.

Để tháo đầu bắt vít, hãy làm ngược lại quy trình lắp vào.

Dụng cụ với chốt hãm (Hình 7)

Căn chỉnh lỗ ở bên hông đầu bắt vít thẳng hàng với chốt hãm trên đầu quay vuông và nhấn nó vào đầu bắt vít trên đầu quay vuông cho đến khi khớp vào vị trí. Vô nhẹ nếu cần.

Để tháo đầu bắt vít, chỉ cần kéo nó ra. Nếu khó tháo, hãy ấn chốt hãm trong khi kéo đầu bắt vít.

Móc treo (Hình 8)

⚠ CẢN TRỌNG:

- Sau khi lắp móc treo vào, đảm bảo rằng nó được bắt vít thật chặt.

Móc treo rất thuận tiện cho việc treo tạm dụng cụ. Móc treo có thể được lắp ở cả hai bên của dụng cụ.

Để lắp đặt móc treo, lắp nó vào rãnh trên vỏ dụng cụ trên bất cứ mặt nào và sau đó xiết chặt lại bằng vít. Để tháo ra, vặn lỏng vít rồi lấy móc treo ra.

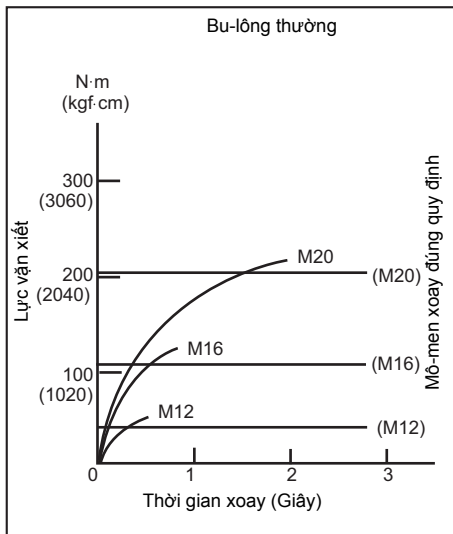
VẬN HÀNH

⚠ CẢN TRỌNG:

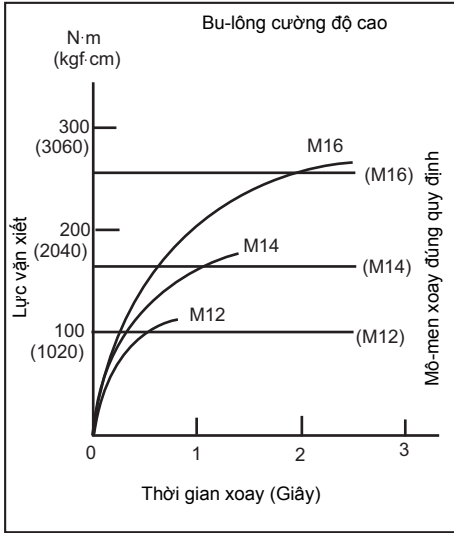
- Luôn luôn lắp hộp pin vào hết mức cho đến khi nó khóa đúng vào vị trí. Nếu bạn vẫn còn nhìn thấy phần màu đỏ phía trên nút bấm, chốt vẫn chưa được khóa hoàn toàn. Lắp chốt hoàn toàn vào vị trí cho đến khi không thể nhìn thấy phần màu đỏ. Nếu không, chốt có thể vô tình rơi ra khỏi dụng cụ, gây thương tích cho bạn hoặc người khác xung quanh.

Giữ chặt dụng cụ và đặt mũi đầu tuýp lên trên bu-lông hoặc đai ốc. Bật dụng cụ lên và vặn bulông theo thời gian vận xiết phù hợp. (Hình 9)

Mô-men xoay phù hợp có thể khác nhau tùy thuộc vào loại hoặc kích thước của bulông, vật liệu gia công cần được xiết vặn, v.v... Mỗi liên hệ giữa lực vận xiết và thời gian vận xiết được thể hiện theo các số liệu sau.



008486



008487

LƯU Ý:

- Giữ dụng cụ chặt thẳng vào bu-lông hoặc đai ốc.
- Lực vận xiết quá mức có thể làm hỏng bulông/đai ốc hoặc đầu vận. Trước khi bắt đầu thực hiện, luôn tiến hành thao tác thử nghiệm để xác định thời gian vận xiết phù hợp với loại bulông hoặc đai ốc của bạn.
- Nếu dụng cụ được vận hành liên tục cho đến khi hộp pin đã bị xả kiệt, hãy để dụng cụ nghỉ 15 phút trước khi thực hiện tiếp bằng pin mới.

Mô-men xoắn bị ảnh hưởng bởi rất nhiều yếu tố như sau đây. Sau khi xiết, luôn kiểm tra mô-men xoắn bằng một cờ-lê cộng lực.

- Khi hộp pin đã xả điện hoàn toàn, hiệu điện thế sẽ tụt xuống và mô-men xoắn sẽ bị giảm.
- Mũi đầu tuýp
 - Việc không sử dụng đầu vận đúng kích thước có thể làm giảm lực vận xiết.
 - Đầu vận bị mòn (mòn phần đầu lực giác hoặc đầu vuông) sẽ làm giảm lực vận xiết.
- Bu-lông
 - Ngay cả khi hệ số mô-men xoắn và loại bu-lông là giống nhau, mô-men xoắn đúng quy định sẽ khác tùy theo đường kính của bulong.
 - Ngay cả khi đường kính các bu-lông là giống nhau, mô-men xoắn đúng quy định sẽ khác tùy theo hệ số mô-men xoắn, loại bu-lông và chiều dài bu-lông.
- Việc sử dụng khớp nối đa năng hoặc thanh nối dài cũng làm giảm phần nào lực vận xiết của máy bắt bulông. Hãy bù trừ bằng cách kéo dài hơn thời gian vận xiết.
- Cách cầm dụng cụ hoặc vật liệu tại vị trí bắt vít cần được xoay cũng sẽ ảnh hưởng đến mô-men xoắn.
- Vận hành dụng cụ ở tốc độ thấp cũng sẽ làm giảm mô-men xoắn.

BẢO TRÌ

⚠ CẢN TRỌNG:

- Hãy luôn chắc chắn rằng dụng cụ đã được tắt và hộp pin đã được tháo ra trước khi cố gắng thực hiện việc kiểm tra hay bảo dưỡng.
- Không bao giờ dùng xăng, ét xăng, dung môi, cồn hoặc hóa chất tương tự. Có thể xảy ra hiện tượng mất màu, biến dạng hoặc nứt vỡ.

Thay thế các chổi các-bon

Hãy tháo và kiểm tra các chổi các-bon định kỳ. Thay thế khi chổi đã mòn đến vạch giới hạn. Hãy giữ cho các chổi các-bon sạch sẽ và không quấn vào trong các đầu giữ. Các chổi các-bon nên được thay thế cùng lúc. Hãy sử dụng các chổi các-bon giống nhau. **(Hình 10)**
 Hãy sử dụng một tuốc-nơ-vít để tháo các nắp giữ chổi. Hãy tháo các chổi các-bon đã bị mòn, lắp vào các chổi mới và vận chặt các nắp giữ chổi. **(Hình 11)**
 Để đảm bảo AN TOÀN và TIN CẬY của sản phẩm, việc sửa chữa hoặc bất cứ thao tác bảo trì, điều chỉnh nào đều phải được thực hiện bởi các Trung tâm Dịch vụ Được Ủy quyền của Makita (Makita Authorized Service Center), luôn sử dụng các phụ tùng thiết bị thay thế của Makita.

PHỤ KIỆN TỰY CHỌN

⚠ CẢN TRỌNG:

- Các phụ kiện hoặc phụ tùng gắn thêm này được khuyến cáo sử dụng với dụng cụ Makita của bạn theo như quy định trong hướng dẫn này. Việc sử dụng bất cứ phụ kiện hoặc phụ tùng gắn thêm nào khác đều có thể gây ra rủi ro thương tích cho người. Chỉ sử dụng phụ kiện hoặc phụ tùng gắn thêm cho mục đích đã quy định sẵn của chúng.

Nếu bạn cần hỗ trợ để biết thêm chi tiết về những phụ kiện này, hãy liên hệ với Trung tâm Dịch vụ của Makita tại địa phương của bạn.

- Các đầu tuýp
- Thanh nối dài
- Khớp đa năng
- Bộ chuyển đầu mũi
- Pin và bộ sạc chính hãng của Makita

LƯU Ý:

- Một vài mục trong danh sách có thể được bao gồm trong gói dụng cụ làm phụ kiện tiêu chuẩn. Các thông số kỹ thuật có thể thay đổi tùy theo từng quốc gia.

ภาษาไทย

คำอธิบายของมุมมองทั่วไป

- | | | |
|------------------|------------------------|---------------------|
| 1. ส่วนสีแดง | 8. สวิตช์ดวงไฟ | 15. สลักยึด |
| 2. ปุ่ม | 9. หัวบี้ออกซ์กระแทก | 16. ร่อง |
| 3. ตลับแบตเตอรี่ | 10. ช่องยึดหัวบี้ออกซ์ | 17. สกรู |
| 4. ไฟแสดงสถานะ | 11. สปริงแหวน | 18. ขอบเกี่ยว |
| 5. ปุ่มตรวจสอบ | 12. โอริง | 19. ซีตจำกัด |
| 6. สวิตช์สั่งงาน | 13. สลัก | 20. ฝาปิดที่ยึดแปรง |
| 7. ดวงไฟ | 14. รู | 21. ไขควง |

ข้อมูลจำเพาะ

รุ่น	DTW450	
ความสามารถในการเจาะ	สลักเกลียวมาตรฐาน	M12 - M22
	สลักเกลียวทนแรงดึงสูง	M12 - M16
ช่องยึดหัวบี้ออกซ์	12.7 มม.	
ความเร็วขณะหมุนเปล่า (รอบต่อนาที)	1,600	
อัตราการกระแทกต่อนาที	2,200	
แรงบิดขั้นแน่นสูงสุด	440 N·m	
ความยาวโดยรวม	266 มม.	
น้ำหนักสุทธิ	3.1 - 3.4 กก.	
แรงดันไฟฟ้า	กระแสตรง 18 โวลต์	

- เนื่องจากการค้นคว้าวิจัยและพัฒนาอย่างต่อเนื่อง ข้อมูลจำเพาะในเอกสารฉบับนี้อาจเปลี่ยนแปลงได้โดยไม่ต้องแจ้งให้ทราบล่วงหน้า
- ข้อมูลจำเพาะอาจแตกต่างกันไปในแต่ละประเทศ
- น้ำหนักอาจแตกต่างกันไปตามอุปกรณ์เสริม รวมถึงตลับแบตเตอรี่ การติดอุปกรณ์เสริมที่เบาที่สุดและหนักที่สุดตามข้อบังคับของ EPTA 01/2014 มีแสดงอยู่ในตาราง

ตลับแบตเตอรี่และเครื่องชาร์จที่ใช้ได้

ตลับแบตเตอรี่	BL1815N / BL1820 / BL1820B / BL1830 / BL1830B / BL1840 / BL1840B / BL1850 / BL1850B / BL1860B
เครื่องชาร์จ	DC18RC / DC18RD / DC18RE / DC18SD / DC18SE / DC18SF

- ตลับแบตเตอรี่และเครื่องชาร์จบางรายการที่แสดงอยู่ด้านบนอาจไม่มีวางจำหน่ายขึ้นอยู่กับภูมิภาคที่คุณอาศัยอยู่

⚠ คำเตือน: ใช้ตลับแบตเตอรี่และเครื่องชาร์จที่ระบุไว้ข้างบนเท่านั้น การใช้ตลับแบตเตอรี่และเครื่องชาร์จประเภทอื่นอาจก่อให้เกิดความเสี่ยงที่จะได้รับบาดเจ็บและ/หรือเกิดไฟไหม้

สัญลักษณ์

ต่อไปนี้เป็นสัญลักษณ์ที่ใช้สำหรับอุปกรณ์ โปรดศึกษาความหมายของสัญลักษณ์ให้เข้าใจก่อนการใช้งาน



..... อ่านคู่มือการใช้งาน

ENE036-1

จุดประสงค์ของเครื่องมือ

ใช้เครื่องมือชนิดนี้เพื่อขจัดนิอตและสลักเกลียว

GEA013-2

คำเตือนด้านความปลอดภัยของเครื่องมือไฟฟ้าทั่วไป

⚠ คำเตือน: โปรดอ่านคำเตือนด้านความปลอดภัย คำแนะนำ ภาพประกอบ และข้อมูลจำเพาะต่างๆ ที่ให้มากับเครื่องมือไฟฟ้านี้อย่างละเอียด การไม่ปฏิบัติตามคำแนะนำดังต่อไปนี้อาจส่งผลให้เกิดไฟฟ้าช็อต ไฟไหม้ และ/หรือได้รับบาดเจ็บอย่างร้ายแรงได้

เก็บรักษาคำเตือนและคำแนะนำทั้งหมดไว้เป็นข้อมูลอ้างอิงในอนาคต

คำว่า “เครื่องมือไฟฟ้า” ในคำเตือนนี้หมายถึงเครื่องมือไฟฟ้า (มีสาย) ที่ทำงานโดยใช้กระแสไฟฟ้าหรือเครื่องมือไฟฟ้า (ไร้สาย) ที่ทำงานโดยใช้แบตเตอรี่

ความปลอดภัยของพื้นที่ทำงาน

1. ดูแลพื้นที่ทำงานให้มีความสะอาดและมีแสงไฟสว่าง พื้นที่รก กระจกแตกหรือมีดที่บอบอาจนำไปสู่การเกิดอุบัติเหตุได้
2. อย่าใช้งานเครื่องมือไฟฟ้าในสภาพที่อาจเกิดการกระเบิด เช่น ในสถานที่ที่มีของเหลว ก๊าซ หรือฝุ่นผงที่มีคุณสมบัติไวไฟ เครื่องมือไฟฟ้าอาจสร้างประกายไฟและจุดชนวนฝุ่นผงหรือก๊าซดังกล่าว
3. ดูแลไม่ให้มีเด็ก หรือบุคคลอื่นอยู่ในบริเวณที่กำลังใช้เครื่องมือไฟฟ้า การมีสิ่งรบกวนสมาธิอาจทำให้คุณสูญเสียการควบคุม

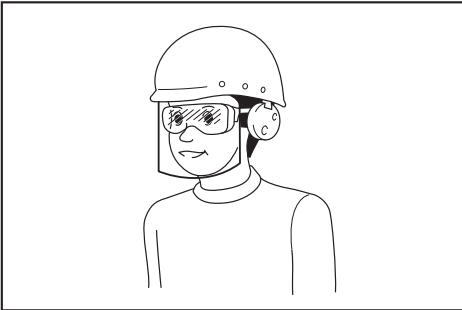
ความปลอดภัยด้านไฟฟ้า

1. ปลั๊กของเครื่องมือไฟฟ้าต้องพอดีกับเต้ารับ อย่าดัดแปลงปลั๊กไม่ว่ากรณีใดๆ อย่าใช้ปลั๊กอะแดปเตอร์กับเครื่องมือไฟฟ้าที่ต่อสายดิน ปลั๊กที่ไม่ถูกดัดแปลงและเต้ารับที่เข้ากันพอดีจะช่วยลดความเสี่ยงของการเกิดไฟฟ้าช็อต
2. ระวังอย่าให้ร่างกายสัมผัสกับพื้นผิวที่ต่อสายดิน เช่น ท่อ เครื่องนำความร้อน เตาหุงต้ม และตู้เย็น มีความเสี่ยงที่จะเกิดไฟฟ้าช็อตสูงขึ้น หากร่างกายของคุณสัมผัสกับพื้น
3. อย่าให้เครื่องมือไฟฟ้าถูกน้ำหรืออยู่ในสภาพเปียกชื้น น้ำที่ไหลเข้าไปในเครื่องมือไฟฟ้าจะเพิ่มความเสี่ยงของการเกิดไฟฟ้าช็อต

4. อย่าใช้สายไฟอย่างไม่เหมาะสม อย่าใช้สายไฟเพื่อยก ดึง หรือถอดปลั๊กเครื่องมือไฟฟ้า เก็บสายไฟให้ห่างจากความร้อน น้ำมัน ของมีคม หรือชิ้นส่วนที่เคลื่อนที่ สายที่ชำรุดหรือพื้นกันจะเพิ่มความเสี่ยงของการเกิดไฟฟ้าช็อต
 5. ขณะที่ใช้งานเครื่องมือไฟฟ้านอกอาคาร ควรใช้สายต่อพ่วงที่เหมาะสมกับงานภายนอกอาคาร การใช้สายที่เหมาะสมกับงานภายนอกอาคารจะลดความเสี่ยงของการเกิดไฟฟ้าช็อต
 6. หากต้องใช้งานเครื่องมือไฟฟ้าในสถานที่เปียกชื้น ให้ใช้อุปกรณ์ป้องกันกระแสไฟฟ้ารั่ว (RCD) การใช้ RCD จะลดความเสี่ยงของการเกิดไฟฟ้าช็อต
 7. เครื่องมือไฟฟ้าอาจสร้างสนามแม่เหล็ก (EMF) ที่ไม่เป็นอันตรายต่อผู้ใช้ อย่างไรก็ตาม ผู้ใช้ที่ใส่เครื่องกระตุ้นหัวใจและอุปกรณ์ทางการแพทย์ที่คล้ายกันนี้ควรติดต่อผู้ผลิตอุปกรณ์และ/หรือแพทย์เพื่อรับคำแนะนำก่อนใช้งานเครื่องมือไฟฟ้านี้
- ความปลอดภัยส่วนบุคคล**

1. ให้ระมัดระวังและมีสติอยู่เสมอขณะใช้งานเครื่องมือไฟฟ้า ใช้งานเครื่องมือไฟฟ้าในขณะที่คุณกำลังเหนื่อย หรือในสภาพที่มึนเมาจากยาเสพติด เครื่องดื่ม แอลกอฮอล์ หรือการดื่มยา ชั่วขณะที่ขาดความระมัดระวังเมื่อกำลังใช้งานเครื่องมือไฟฟ้าอาจทำให้ได้รับบาดเจ็บร้ายแรง
2. ใช้อุปกรณ์ป้องกันส่วนบุคคล สวมแว่นตาป้องกันเสมอ อุปกรณ์ป้องกัน เช่น หน้ากากกันฝุ่น รองเท้านิรภัยกันลื่น หมวกนิรภัย หรือเครื่องป้องกันการได้ยินที่ใช้ในสภาพที่เหมาะสมจะช่วยลดการบาดเจ็บ
3. ป้องกันไม่ให้เกิดการเปิดใช้งานโดยไม่ตั้งใจ ตรวจสอบให้แน่ใจว่าสวิตช์ปิดอยู่ก่อนที่จะเชื่อมต่อกับแหล่งจ่ายไฟ และ/หรือชุดแบตเตอรี่ รวมทั้งตรวจสอบก่อนการยกหรือเคลื่อนย้ายเครื่องมือ การสอดนิ้วมือบริเวณสวิตช์เพื่อถือเครื่องมือไฟฟ้า หรือการชาร์จไฟเครื่องมือไฟฟ้าในขณะที่เปิดสวิตช์อยู่อาจนำไปสู่การเกิดอุบัติเหตุ
4. นำกฎและปรับตั้งหรือประแจออกก่อนที่จะเปิดเครื่องมือไฟฟ้า ประแจหรือกุญแจที่เสียบค้างอยู่ในชิ้นส่วนที่หมุนได้ของเครื่องมือไฟฟ้าอาจทำให้ได้รับบาดเจ็บ
5. อย่าทำงานในระยะที่สุดอ้อม จัดท่าการยืนและการทรงตัวให้เหมาะสมตลอดเวลา เพราะจะทำให้ควบคุมเครื่องมือไฟฟ้าได้ดีขึ้นในสถานการณ์ที่ไม่คาดคิด
6. แต่งกายให้เหมาะสม อย่าสวมเครื่องแต่งกายที่หลวมเกินไป หรือสวมเครื่องประดับ ดูแลไม่ให้เส้นผมและเสื้อผ้าอยู่ใกล้ชิ้นส่วนที่เคลื่อนที่ เสื้อผ้า ร่ม ร่ม เครื่องประดับ หรือผมที่มีความยาวอาจเข้าไปติดในชิ้นส่วนที่เคลื่อนที่
7. หากมีการจัดอุปกรณ์สำหรับดูดและจัดเก็บฝุ่นไว้ในสถานที่ ให้ตรวจสอบว่าได้เชื่อมต่อและใช้งานอุปกรณ์นั้นอย่างเหมาะสม การใช้เครื่องดูดและจัดเก็บฝุ่นจะช่วยลดอันตรายที่เกิดจากฝุ่นผงได้

- อย่าให้ความร้อนเคยจากการใช้งานเครื่องมือเป็นประจำทำให้คุณทำตัวตามสบายและละเลยหลักการเพื่อความปลอดภัยในการใช้เครื่องมือ การกระทำที่ไม่ระมัดระวังอาจทำให้เกิดการบาดเจ็บร้ายแรงภายในเสี้ยววินาที
- สวมใส่แว่นครอบตาที่รับภัยเพื่อปกป้องดวงตาของคุณจากการบาดเจ็บเมื่อใช้เครื่องมือไฟฟ้า แว่นครอบตาจะต้องได้มาตรฐาน ANSI Z87.1 ในสหรัฐอเมริกา, EN 166 ในยุโรป หรือ AS/NZS 1336 ในออสเตรเลีย/นิวซีแลนด์ ในออสเตรเลีย/นิวซีแลนด์ จะต้องสวมเกราะป้องกันใบหน้าเพื่อปกป้องใบหน้าของคุณอย่างถูกต้องตามกฎหมายด้วย



ผู้ว่าจ้างมีหน้าที่รับผิดชอบในการบังคับผู้ใช้งานเครื่องมือและบุคคลอื่น ๆ ที่อยู่ในบริเวณที่ปฏิบัติงานให้ใช้อุปกรณ์ป้องกันที่เหมาะสม

การใช้และดูแลเครื่องมือไฟฟ้า

- อย่าเดินใช้เครื่องมือไฟฟ้า ใช้เครื่องมือไฟฟ้าที่เหมาะสมกับงานใช้งานของคุณ เครื่องมือไฟฟ้าที่เหมาะสมจะทำให้ได้งานที่มีประสิทธิภาพและปลอดภัยกว่าความชืดความสามารถของเครื่องที่ได้รับการออกแบบมา
- อย่าใช้เครื่องมือไฟฟ้า หากสวิตช์ไม่สามารถเปิดปิดได้ เครื่องมือไฟฟ้าที่ควบคุมด้วยสวิตช์ไม่ได้เป็นสิ่งอันตรายและต้องได้รับการซ่อมแซม
- ถอดปลั๊กจากแหล่งจ่ายไฟ และ/หรือชุดแบตเตอรี่ออกจากเครื่องมือไฟฟ้าก่อนทำการปรับตั้ง เปลี่ยนอุปกรณ์เสริม หรือจัดเก็บเครื่องมือไฟฟ้า วิธีการป้องกันด้านความปลอดภัยดังกล่าวจะช่วยลดความเสี่ยงในการเปิดใช้งานเครื่องมือไฟฟ้าโดยไม่ได้ตั้งใจ
- จัดเก็บเครื่องมือไฟฟ้าที่ไม่ได้ใช้งานให้ห่างจากมือเด็ก และอย่าอนุญาตให้บุคคลที่ไม่คุ้นเคยกับเครื่องมือไฟฟ้าหรือคำแนะนำเหล่านี้ใช้งานเครื่องมือไฟฟ้า เครื่องมือไฟฟ้าจะเป็นอันตรายเมื่ออยู่ในมือของผู้ที่ไม่ได้รับการฝึกอบรม

- บำรุงรักษาเครื่องมือไฟฟ้าและอุปกรณ์เสริม ตรวจสอบการประกอบที่ไม่ถูกต้องหรือการเชื่อมต่อนของชิ้นส่วนที่เคลื่อนที่ การแตกหักของชิ้นส่วน หรือสภาพอื่น ๆ ที่อาจส่งผลกระทบต่อการทำงานของเครื่องมือไฟฟ้า หากมีความเสียหาย ให้นำเครื่องมือไฟฟ้าไปซ่อมแซมก่อนการใช้งาน อุบัติเหตุจำนวนมากเกิดจากการดูแลรักษาเครื่องมือไฟฟ้าอย่างไม่ถูกต้อง
- ทำความเข้าใจการตัดและตัดกับให้คมอยู่เสมอ เครื่องมือการตัดที่มีการดูแลอย่างถูกต้องและมีขอบการตัดคมจะมีปัญหาตัดขีดน้อยและควบคุมได้ง่ายกว่า
- ใช้เครื่องมือไฟฟ้า อุปกรณ์เสริม และวัสดุสิ้นเปลือง ฯลฯ ตามคำแนะนำดังกล่าว พิจารณาสภาพการทำงานและงานที่จะลงมือทำ การใช้เครื่องมือไฟฟ้าเพื่อทำงานอื่นนอกเหนือจากที่กำหนดไว้อาจทำให้เกิดอันตราย
- ดูแลมือจับและบริเวณมือจับให้แห้ง สะอาด และไม่มีน้ำมันและจาระบีเหนียว มือจับและบริเวณมือจับที่ลื่นจะทำให้ไม่สามารถจับและควบคุมเครื่องมือได้อย่างปลอดภัยในสถานการณ์ที่ไม่คาดคิด
- ขณะใช้งานเครื่องมือ อย่าสวมใส่ถุงมือผ้าที่อาจเข้าไปติดในเครื่องมือได้ หากถุงมือผ้าเข้าไปติดในชิ้นส่วนที่กำลังเคลื่อนที่ อาจจะทำให้ได้รับบาดเจ็บ

การใช้งานและดูแลเครื่องมือที่ใช้แบตเตอรี่

- ชาร์จไฟใหม่ด้วยเครื่องชาร์จที่ระบุผู้ผลิตเท่านั้น เครื่องชาร์จที่เหมาะสมสำหรับชุดแบตเตอรี่ประเภทหนึ่งอาจเสี่ยงที่จะเกิดไฟไหม้หากนำไปใช้กับชุดแบตเตอรี่อีกประเภทหนึ่ง
- ใช้เครื่องมือไฟฟ้ากับชุดแบตเตอรี่ที่กำหนดมาโดยเฉพาะเท่านั้น การใช้ชุดแบตเตอรี่ประเภทอื่นอาจทำให้เสี่ยงที่จะได้รับบาดเจ็บและเกิดไฟไหม้
- เมื่อใช้งานชุดแบตเตอรี่ ให้เก็บห่างจากวัตถุที่เป็นโลหะอื่น ๆ เช่น คลิปหนีบกระดาษ เหรียญ กุญแจ กรรไกรตัดเล็บ สกรู หรือวัตถุที่เป็นโลหะขนาดเล็กอื่น ๆ ที่สามารถเชื่อมต่อชั่วคราวกับอีกขั้วหนึ่งได้ การลัดวงจรขั้วแบตเตอรี่อาจทำให้ร้อนจัดหรือเกิดไฟไหม้
- ในกรณีที่ใช้งานไม่ถูกต้อง อาจมีของเหลวไหลออกจากแบตเตอรี่ ให้หลีกเลี่ยงการสัมผัส หากสัมผัสผิวหนังของเหลวโดยไม่ได้ตั้งใจ ให้ล้างออกด้วยน้ำ หากของเหลวกระเด็นเข้าตา ให้รีบไปพบแพทย์ ของเหลวที่ไหลออกจากแบตเตอรี่อาจทำให้ผิวหนังระคายเคืองหรือไหม้
- ห้ามใช้ชุดแบตเตอรี่หรือเครื่องมือที่ชำรุดหรือมีการแก้ไข แบตเตอรี่ที่เสียหายหรือมีการแก้ไขอาจทำให้เกิดสิ่งที่ไม่คาดไม่ถึง เช่น ไฟไหม้ ระเบิด หรือเสี่ยงต่อการบาดเจ็บ
- ห้ามให้ชุดแบตเตอรี่อยู่ใกล้ไฟ หรือบริเวณที่มีอุณหภูมิสูงเกิน หากโดนไฟ หรืออุณหภูมิสูงเกิน 130 °C อาจก่อให้เกิดการระเบิดได้

7. งดปฏิบัติตามคำแนะนำสำหรับการชาร์จไฟ และห้ามชาร์จแบตเตอรี่หรือเครื่องมือในบริเวณที่มีอุณหภูมิสูงเกินไปจากที่ระบุในคำแนะนำ การชาร์จไฟที่ไม่เหมาะสม หรืออุณหภูมิสูงเกินไปจากช่วงอุณหภูมิที่ระบุในคำแนะนำอาจทำให้แบตเตอรี่เสียหายและเป็นการเพิ่มความเสี่ยงในการเกิดไฟไหม้

การซ่อมบำรุง

1. นำเครื่องมือไฟฟ้าเข้ารับการตรวจจากช่างซ่อมที่ผ่านการรับรองโดยช่างมืออาชีพเท่านั้น เพราะจะทำให้การใช้เครื่องมือไฟฟ้ามีความปลอดภัย
2. ห้ามใช้ชุดแบตเตอรี่ที่เสียหาย ชุดแบตเตอรี่ที่ใช้ควรเป็นชุดที่มาจากผู้ผลิต หรือผู้ให้บริการที่ได้รับอนุญาตเท่านั้น
3. ปฏิบัติตามคำแนะนำในการหล่อลื่นและกรณีเปลี่ยนอุปกรณ์เสริม

GEB138-1

คำเตือนด้านความปลอดภัยของ ประแจกระแทกแบบไร้สาย

1. ถือเครื่องมือไฟฟ้าบริเวณเมื่อจับที่เป็นฉนวนขณะทำงานที่สายรัดอาจสัมผัสกับสายไฟที่ซ่อนอยู่ สายรัดที่สัมผัสกับสายไฟที่ "มีกระแสไฟฟ้าไหลผ่าน" อาจทำให้ส่วนที่เป็นโลหะของเครื่องมือไฟฟ้าที่ไม่มีฉนวนหุ้ม "มีกระแสไฟฟ้าไหลผ่าน" และทำให้ผู้ปฏิบัติงานถูกไฟฟ้าช็อตได้
2. สวมใส่อุปกรณ์ป้องกันเสียง
3. ตรวจสอบหีบห่อข้อมือการบั่น ถักขาด หรือความเสียหายหรือไม่ก่อนการติดตั้ง
4. จับเครื่องมือให้แน่น
5. ระวังอย่าให้มือสัมผัสกับชิ้นส่วนที่หมุนได้
6. ตรวจสอบให้แน่ใจว่าได้ยึดอย่างมั่นคง หากใช้งานเครื่องมือในพื้นที่สูง ระวังอย่าให้มืออยู่ด้านล่าง
7. แรงบิดที่เหมาะสมในการใช้งานอาจแตกต่างกันไปตามขนาดและชนิดของนอต ควรตรวจสอบแรงบิดที่เหมาะสมด้วยประแจวัดแรงบิด

ปฏิบัติตามคำแนะนำเหล่านี้

⚠ คำเตือน:

อย่าให้ความไม่ระมัดระวังหรือความคุ้นเคยกับผลิตภัณฑ์ (จากการใช้งานซ้ำหลายครั้ง) อยู่เหนือการปฏิบัติตามกฎเกณฑ์ด้านความปลอดภัยในการใช้งานผลิตภัณฑ์อย่างเคร่งครัด การใช้งานอย่างไม่เหมาะสมหรือการไม่ปฏิบัติตามกฎเกณฑ์ด้านความปลอดภัยในคู่มือการใช้งานนี้อาจทำให้ได้รับบาดเจ็บรุนแรง

คำแนะนำด้านความปลอดภัยที่สำคัญ สำหรับดัลต้าแบตเตอรี่

1. ก่อนใช้งานดัลต้าแบตเตอรี่ ให้อ่านคำแนะนำและเครื่องหมายเตือนทั้งหมดบน (1) เครื่องชาร์จแบตเตอรี่ (2) แบตเตอรี่ และ (3) ตัวผลิตภัณฑ์ที่ใช้แบตเตอรี่
 2. ห้ามถอดแยกส่วนดัลต้าแบตเตอรี่
 3. หากระยะเวลาที่เครื่องทำงานสั้นเกินไป ให้หยุดใช้งานทันที เนื่องจากอาจมีความเสี่ยงที่จะร้อนจัด ไหม้หรือระเบิดได้
 4. หากสารละลายอิเล็กโทรไลต์กระเด็นเข้าตา ให้ล้างออกด้วยน้ำเปล่าและรีบไปพบแพทย์ทันที เนื่องจากอาจทำให้ตาบอด
 5. ห้ามลัดวงจรดัลต้าแบตเตอรี่:
 - (1) ห้ามแตะขั้วกับวัตถุที่เป็นสื่อไฟฟ้าใดๆ
 - (2) หลีกเลี่ยงการเก็บดัลต้าแบตเตอรี่ไว้ในภาชนะร่วมกับวัตถุที่เป็นโลหะ เช่น กรรไกรตัดเล็บ เหรียญ ฯลฯ
 - (3) อย่าให้ดัลต้าแบตเตอรี่ถูกน้ำหรือฝนแบตเตอรี่ลัดวงจรอาจทำให้เกิดการไหลของกระแสไฟฟ้า ร้อนจัด ไหม้หรือเสียหายได้
 6. ห้ามเก็บเครื่องมือและดัลต้าแบตเตอรี่ไว้ในสถานที่ที่มีอุณหภูมิสูงถึงหรือเกิน 50 °C
 7. ห้ามเผาดัลต้าแบตเตอรี่ทิ้ง แม้ว่าแบตเตอรี่จะเสียหายจนใช้การไม่ได้หรือเสื่อมสภาพแล้ว ดัลต้าแบตเตอรี่อาจระเบิดในกองไฟ
 8. ระวังอย่าทำแบตเตอรี่ตกหล่นหรือกระทบกระแทก
 9. ห้ามใช้แบตเตอรี่ที่เสียหาย
 10. แบตเตอรี่ลิเทียมไอออนที่มีมาให้ให้เป็นไปตามข้อกำหนดของ Dangerous Goods Legislation สำหรับการขนส่งเพื่อการพาณิชย์ เช่น โดยบุคคลที่สาม ตัวแทนขนส่งสินค้า จะต้องตรวจสอบข้อกำหนดพิเศษในด้านกาบรรจุหีบห่อหรือการติดป้ายสินค้า
- ในการเตรียมสินค้าที่จะขนส่ง ให้ปรึกษากับผู้เชี่ยวชาญด้านวัตถุอันตราย โปรดตรวจสอบข้อกำหนดในประเทศที่อาจมีรายละเอียดอื่น ๆ เพิ่มเติม
- ให้ติดเทปหรือปิดหน้าสัมผัสและห่อแบตเตอรี่ในลักษณะที่แบตเตอรี่จะไม่เคลื่อนที่ไปมาในหีบห่อ
11. ปฏิบัติตามข้อบังคับในท้องถิ่นที่เกี่ยวข้องกับการกำจัดแบตเตอรี่
 12. ใช้แบตเตอรี่กับผลิตภัณฑ์ที่ระบุโดย Makita เท่านั้น การติดตั้งแบตเตอรี่ในผลิตภัณฑ์ที่ไม่ใช่ตามที่ระบุอาจทำให้เกิดไฟไหม้ ความร้อนสูง ระเบิด หรืออิเล็กโทรไลต์รั่วไหลได้

บันทึกคำแนะนำเหล่านี้

⚠ ข้อควรระวัง:

- ใช้แบตเตอรี่ของแท้จาก Makita เท่านั้น การใช้แบตเตอรี่ Makita ที่ไม่แท้ หรือแบตเตอรี่ที่ถูกเปลี่ยน อาจทำให้แบตเตอรี่ระเบิด ก่อให้เกิดเพลิงลุกไหม้ การบาดเจ็บ และความเสียหายได้ และจะทำให้การรับประกันของ Makita สำหรับเครื่องมือและแท่นชาร์จของ Makita เป็นโมฆะด้วย

เคล็ดลับในการรักษาอายุการใช้งานของแบตเตอรี่ให้ยาวนานที่สุด

1. ชาร์จประจุไฟฟ้ากลับแบตเตอรี่ก่อนที่ประจุไฟฟ้าจะหมดหยุดการทำงานแล้วชาร์จประจุไฟฟ้าใหม่ทุกครั้งเมื่อคุณรู้สึกว่าคุณเครื่องมือกำลังลดลง
2. อย่าชาร์จกลับแบตเตอรี่ที่มีไฟเต็มแล้ว การชาร์จประจุไฟฟ้ามากเกินไปอาจจะทำให้อายุการใช้งานของถลับแบตเตอรี่สั้นลง
3. ชาร์จประจุไฟฟ้ากลับแบตเตอรี่ในห้องที่มีอุณหภูมิระหว่าง 10 °C - 40 °C ปล่อยให้ถลับแบตเตอรี่เย็นลงก่อนที่จะชาร์จไฟ
4. ชาร์จไฟถลับแบตเตอรี่หากคุณไม่ต้องการใช้เป็นเวลานาน (เกินกว่าหกเดือน)

คำอธิบายการทำงาน

⚠ ข้อควรระวัง:

- ตรวจสอบให้แน่ใจว่าสวิตช์เครื่องมืออยู่ในตำแหน่งปิดเครื่อง และถอดถลับแบตเตอรี่ออกก่อนปรับตั้งหรือตรวจสอบการทำงานของเครื่องมือ

การติดตั้งหรือถอดถลับแบตเตอรี่ (ภาพที่ 1)

- ปิดสวิตช์เครื่องมือก่อนทำการใส่หรือถอดถลับแบตเตอรี่ทุกครั้ง
- เมื่อต้องการถอดถลับแบตเตอรี่ ให้เลื่อนปุ่มที่ด้านหน้าของถลับแล้วดึงออกจากเครื่องมือ
- เมื่อต้องการใส่ถลับแบตเตอรี่ ให้จัดแนวสันบนถลับแบตเตอรี่ให้ตรงกับร่องบนตัวเครื่องมือ แล้วเลื่อนถลับแบตเตอรี่เข้าที่ ให้แน่ใจว่าใส่ถลับแบตเตอรี่เข้าจนสุดจนกระทั่งได้ยินเสียงคลิกล็อกเข้าที่ หากคุณยังเห็นส่วนสีแดงที่ด้านบนของปุ่ม แสดงว่าถลับแบตเตอรี่ยังไม่ล็อกเข้าที่ ให้ดันถลับแบตเตอรี่เข้าจนสุดจนไม่เห็นส่วนสีแดงอีก ไม่เช่นนั้น ถลับแบตเตอรี่อาจหลุดออกจากเครื่องมือทำให้คุณหรือคนรอบข้างได้รับบาดเจ็บ
- อย่าใช้แรงมากเกินไปเมื่อใส่ถลับแบตเตอรี่ หากถลับแบตเตอรี่ไม่เลื่อนเข้าไปได้โดยง่าย แสดงว่าใส่ไม่ถูกต้อง

การระบุระดับพลังงานแบตเตอรี่ที่เหลืออยู่

(ภาพที่ 2)

สำหรับถลับแบตเตอรี่ที่มีตัวแสดงสถานะเท่านั้น

กดปุ่ม ตรวจสอบ บนถลับแบตเตอรี่เพื่อดูปริมาณแบตเตอรี่ที่เหลือ ไฟแสดงสถานะจะสว่างขึ้นเป็นเวลาสองสามวินาที

ไฟแสดงสถานะ			แบตเตอรี่ที่เหลือ
ไฟสว่าง	ดับ	กะพริบ	
			75% ถึง 100%
			50% ถึง 75%
			25% ถึง 50%
			0% ถึง 25%
			ชาร์จไฟแบตเตอรี่
			แบตเตอรี่อาจจะเสีย

หมายเหตุ:

- ขึ้นอยู่กับสภาพการใช้งานและอุณหภูมิโดยรอบ การแสดงสถานะอาจจะแตกต่างจากปริมาณแบตเตอรี่จริงเล็กน้อย

การทำงานของสวิตช์ (ภาพที่ 3)

⚠ ข้อควรระวัง:

- ก่อนใส่ถลับแบตเตอรี่ลงในเครื่องมือ ให้ตรวจสอบว่าสวิตช์สั่งงานสามารถทำงานได้อย่างถูกต้อง และกลับไปยังตำแหน่ง "OFF" เมื่อปล่อย
- เปลี่ยนทิศทางการหมุนเฉพาะเมื่อเครื่องมือหยุดสนิทเท่านั้น การเปลี่ยนทิศทางการหมุนก่อนเครื่องมือหยุดสนิทอาจทำให้เครื่องมือเสียหายได้

สวิตช์สามารถกลับทิศทางได้โดยให้หมุนตามเข็มนาฬิกาหรือหมุนทวนเข็มนาฬิกา เปิดใช้เครื่องมือโดยดึงส่วนล่างของสวิตช์สั่งงาน (A) เพื่อให้หมุนตามเข็มนาฬิกา หรือดึงส่วนบน (B) เพื่อให้หมุนทวนเข็มนาฬิกา ปล่อยสวิตช์สั่งงานเพื่อหยุดทำงาน

การเปิดดวงไฟด้านหลัง (ภาพที่ 4)

⚠ ข้อควรระวัง:

- อย่ามองเข้าไปในดวงไฟหรือจ้องดูแหล่งกำเนิดแสงโดยตรง กดตำแหน่งด้านบนของสวิตช์ดวงไฟเพื่อเปิดไฟและกดตำแหน่งด้านล่างเพื่อปิด

หมายเหตุ:

- ใช้ผ้าแห้งเพื่อเช็ดสิ่งสกปรกออกจากเลนส์ของดวงไฟ ระวังอย่าขีดข่วนเลนส์ของดวงไฟ ไม่งั้นนั้น อาจทำให้ส่องสว่างได้น้อยลง
- ดวงไฟจะมีระบบป้องกันวงจรปล่อยไฟเกิน เมื่อดวงไฟไม่ติดแม้จะเปิดสวิตช์ไฟแล้วก็ตาม แสดงว่าพลังงานแบตเตอรี่อาจจะตกลง ลองเปลี่ยนถลับแบตเตอรี่
- ให้สวิตช์ดวงไฟอยู่ในตำแหน่ง "off" เมื่อไม่ต้องการใช้ดวงไฟ

การประกอบ

⚠ ข้อควรระวัง:

- ตรวจสอบให้แน่ใจว่าสวิตช์เครื่องมืออยู่ในตำแหน่งปิดเครื่อง และถอดถลับแบตเตอรี่ออกก่อนดำเนินการใดๆ กับเครื่องมือ

การเลือกหัวบ็อกซ์ที่เหมาะสม

ใช้หัวบ็อกซ์ที่เหมาะสมกับขนาดของสลักเกลียวและน็อตเสมอ การใช้หัวบ็อกซ์ที่มีขนาดไม่เหมาะสมอาจเป็นทำให้ไม่สามารถขันแน่นหรือมีแรงขันไม่เพียงพอ และ/หรือ ทำให้สลักเกลียวหรือน็อตเสียหายได้

การติดตั้งหรือการถอดหัวบ็อกซ์กระแทก

กำหนดเฉพาะประเทศ

⚠ ข้อควรระวัง:

- ตรวจสอบให้แน่ใจว่าหัวบ็อกซ์กระแทกและส่วนยึดไม่เสียหายก่อนติดตั้งหัวบ็อกซ์กระแทก
- หลังจากใส่สลักเกลียวสำหรับเครื่องยิงลมแล้ว ควรตรวจสอบให้แน่ใจว่ายึดแน่นดีหรือไม่ หากลูกบ็อกซ์สำหรับเครื่องยิงลมหลุดออกมา ห้ามนำไปใช้งาน

เครื่องมือที่มีสปริงแหวน

สำหรับหัวบ็อกซ์กระแทกที่ไม่มีโอริงและสลัก (ภาพที่ 5)

กดหัวบ็อกซ์กระแทกลงบนประแจหัวบ็อกซ์จนกระทั่งล็อกเข้าที่ เมื่อต้องการถอดหัวบ็อกซ์กระแทก เพียงแค่ดึงออก

สำหรับหัวบ็อกซ์กระแทกที่มีโอริงและสลัก (ภาพที่ 6)

เลื่อนโอริงออกจากร่องในหัวบ็อกซ์กระแทกและนำสลักออกจากหัวบ็อกซ์กระแทก ใส่หัวบ็อกซ์กระแทกเข้าสู่ไดรฟ์สี่เหลี่ยมโดยให้รูของหัวบ็อกซ์กระแทกนั้นตรงกับรูของไดรฟ์สี่เหลี่ยม

ใส่สลักเข้าไปในรูของหัวบ็อกซ์กระแทกและไดรฟ์สี่เหลี่ยม แล้วใส่โอริงเข้าไปในตำแหน่งเดิมในร่องของหัวบ็อกซ์กระแทกเพื่อรองสลัก เมื่อต้องการถอดหัวบ็อกซ์กระแทก ให้ปฏิบัติย้อนขั้นตอนการติดตั้ง

เครื่องมือที่มีสลักยึด (ภาพที่ 7)

จัดตำแหน่งรูที่ด้านข้างของหัวบ็อกซ์กระแทกให้ตรงกับสลักยึดบนประแจหัวบ็อกซ์ แล้วกดหัวบ็อกซ์กระแทกลงบนประแจหัวบ็อกซ์จนกระทั่งล็อกเข้าที่ เคาะเบาๆ หากจำเป็น

เมื่อต้องการถอดหัวบ็อกซ์กระแทก เพียงแค่ดึงออก หากถอดออกได้ยาก ให้กดสลักยึดลงในขณะที่ดึงหัวบ็อกซ์กระแทก

ข้อยกเว้น (ภาพที่ 8)

⚠ ข้อควรระวัง:

- หลังจากติดตั้งข้อยกเว้นแล้ว ตรวจสอบให้แน่ใจว่าขันดอกไขควงแน่นดีแล้ว

ข้อยกเว้นให้ความสะดวกสำหรับการแขวนเครื่องมือไว้ชั่วคราว ซึ่งสามารถติดตั้งไว้ที่ด้านใดด้านหนึ่งของเครื่องมือ

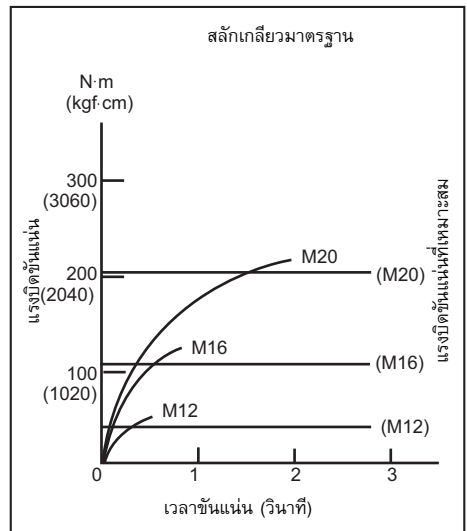
เมื่อต้องการติดตั้งข้อยกเว้น ให้ใส่ข้อยกเว้นลงในร่องบนตัวเครื่องมือที่ด้านใดด้านหนึ่ง แล้วยึดติดไว้ด้วยสกรู เมื่อต้องการถอดออก ให้คลายสกรูแล้วดึงออกมา

การใช้งาน

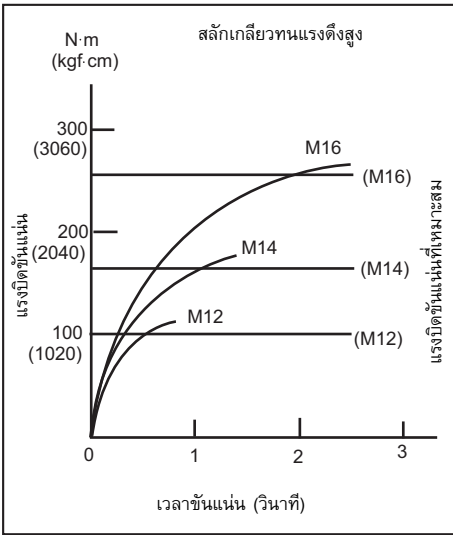
⚠ ข้อควรระวัง:

- ให้แน่ใจว่าใส่ถลับแบตเตอรี่เข้าจนสุดจนกระทั่งได้ยินเสียงล็อกเข้าที่ หากคุณยังเห็นส่วนสีแดงที่ด้านบนของปุ่ม แสดงว่าถลับแบตเตอรี่ยังไม่ล็อกเข้าที่ ให้ดันถลับแบตเตอรี่เข้าจนสุดจนไม่เห็นส่วนสีแดงอีก ไม่งั้นนั้น ถลับแบตเตอรี่อาจหลุดออกจากเครื่องมือทำให้คุณหรือคนรอบข้างได้รับบาดเจ็บ
- ถือเครื่องมือให้แน่นและมั่นคง ครอบหัวบ็อกซ์ไว้ที่หัวน็อตหรือสลักเกลียว เปิดเครื่องแล้วทำการขันโดยใช้ระยะเวลาการขันแน่นที่เหมาะสม (ภาพที่ 9)

แรงบิดขันแน่นที่เหมาะสมอาจแตกต่างกันขึ้นอยู่กับชนิดหรือขนาดของสลักเกลียว วัสดุของชิ้นงานที่จะขันแน่น ฯลฯ ความสัมพันธ์ระหว่างแรงบิดขันแน่นและเวลาขันแน่นจะแสดงอยู่ในภาพด้านล่าง



0008486



008487

หมายเหตุ:

- จัดเครื่องมือให้ตรงกับสัณฐานหรือชนิด
- การใช้แรงบิดขึ้นแน่นมากเกินไปอาจทำให้สัณฐาน/ชนิด หรือ หัวบ็อกซ์เสียหายได้ ก่อนเริ่มงาน ให้ทำการทดสอบการทำงาน เพื่อกำหนดระยะเวลาการขึ้นแน่นที่เหมาะสมสำหรับสัณฐานหรือชนิดที่คุณใช้
- หากใช้งานเครื่องมืออย่างต่อเนื่องจนกระทั่งดับแบตเตอรี่หมดไฟ ให้พักเครื่องมือไว้ประมาณ 15 นาทีก่อนใส่ดัดแบตเตอรี่ที่ชาร์จไฟใหม่

แรงบิดขึ้นแน่นอาจเปลี่ยนแปลงไปขึ้นอยู่กับปัจจัยต่างๆ ดังต่อไปนี้ หลังจากขึ้นแน่น ให้ตรวจสอบแรงบิดด้วยประแจวัดแรงบิด

1. เมื่อพลังงานในดัดแบตเตอรี่ใกล้หมด แรงดันไฟฟ้าจะลดลงซึ่งทำให้แรงบิดขึ้นแน่นลดลง
2. หัวบ็อกซ์
 - การใช้หัวบ็อกซ์ขนาดไม่ถูกต้องจะทำให้แรงบิดขึ้นแน่นลดลง
 - หัวบ็อกซ์ที่ชำรุด (มีรอยฉีกขาดตรงหัวหรือตรงช่องสี่เหลี่ยม) จะทำให้แรงบิดขึ้นแน่นลดลง
3. สัณฐาน
 - แม้ว่าค่าสัมประสิทธิ์แรงบิดและระดับของสัณฐานจะเท่ากัน แต่แรงบิดขึ้นแน่นที่เหมาะสมนั้นจะแตกต่างกันตามเส้นผ่านศูนย์กลางของสัณฐาน
 - แม้ว่าเส้นผ่านศูนย์กลางของสัณฐานจะเท่ากัน แรงบิดขึ้นแน่นที่เหมาะสมจะแตกต่างกันตามค่าสัมประสิทธิ์แรงบิด ระดับของสัณฐาน และความยาวของสัณฐาน
4. การใช้ข้อต่อเนกประสงค์หรือคอนตักจะลดแรงบิดขึ้นแน่นของประแจแรกแทลงเล็กน้อย จึงควรชดเชยแรงบิดขึ้นแน่นที่ลดลงด้วยเวลาการขึ้นแน่นที่นานขึ้น

5. ลักษณะการจับเครื่องมือหรือนิ้ววัสดุในตำแหน่งที่จับขึ้นแน่นจะมีผลต่อแรงบิด
6. การใช้งานเครื่องมือที่ความเร็วต่ำจะทำให้แรงบิดขึ้นแน่นลดลง

การบำรุงรักษา

⚠️ ข้อควรระวัง:

- ตรวจสอบให้แน่ใจว่าสวิตช์เครื่องมืออยู่ในตำแหน่งปิดเครื่อง และถอดดัดแบตเตอรี่ออกก่อนทำการตรวจสอบหรือบำรุงรักษา
- อย่าใช้น้ำมันเชื้อเพลิง เบนซิน ทินเนอร์ แอลกอฮอล์ หรือวัสดุประเภทเดียวกัน เพราะอาจทำให้เครื่องมือมีสีซีดจาง ผิดรูปทรง หรือแตกหักได้

การเปลี่ยนแปรงคาร์บอน

ถอดแปรงคาร์บอนออกมาตรวจสอบเป็นประจำ เปลี่ยนแปรงคาร์บอนเมื่อสึกหรองจนถึงขีดจำกัด รักษาแปรงคาร์บอนให้สะอาด และอย่าให้แปรงคาร์บอนหลุดเข้าไปในที่ยึด ควรเปลี่ยนแปรงคาร์บอนทั้งสองแปรงพร้อมกัน ใช้แปรงคาร์บอนที่กำหนดเท่านั้น (ภาพที่ 10)

ใช้ไขควงเพื่อถอดฝาปิดที่ยึดแปรงออก นำแปรงคาร์บอนที่สึกหรอออกมา ใส่แปรงคาร์บอนใหม่เข้าไป และปิดฝาปิดที่ยึดแปรงให้แน่น (ภาพที่ 11)

เพื่อความปลอดภัยและความน่าเชื่อถือของผลิตภัณฑ์ ควรให้ศูนย์บริการที่ผ่านการรับรองจาก Makita เป็นผู้ดำเนินการซ่อมแซม บำรุงรักษา และทำการปรับตั้งอื่นๆ นอกจากนี้ให้ใช้อะไหล่ของแท้จาก Makita เสมอ

อุปกรณ์เสริม

⚠️ ข้อควรระวัง:

- ขอแนะนำให้ใช้เฉพาะอุปกรณ์เสริมหรืออุปกรณ์ต่อพ่วงเหล่านี้กับเครื่องมือ Makita ที่ระบุในคู่มือ การใช้อุปกรณ์เสริมหรืออุปกรณ์ต่อพ่วงอื่นๆ อาจมีความเสี่ยงที่จะได้รับบาดเจ็บ ใช้อุปกรณ์เสริมหรืออุปกรณ์ต่อพ่วงตามวัตถุประสงค์ที่ระบุไว้เท่านั้น

หากคุณต้องการทราบรายละเอียดเกี่ยวกับอุปกรณ์เสริมเหล่านี้ โปรดสอบถามศูนย์บริการ Makita ใกล้บ้านคุณ

- หัวบ็อกซ์
- คานต่อ
- ข้อต่อเนกประสงค์
- อะแดปเตอร์ดอกไขควง
- แบตเตอรี่และเครื่องชาร์จ Makita ของแท้

หมายเหตุ:

- อุปกรณ์บางรายการอาจรวมอยู่ในชุดอุปกรณ์พื้นฐานของผลิตภัณฑ์ ซึ่งอาจแตกต่างกันไปในแต่ละประเทศ

Makita Corporation

3-11-8, Sumiyoshi-cho,
Anjo, Aichi 446-8502 Japan

www.makita.com

885280C374

TRD